



WOLTURNUS



SPARE PART CATALOGUE FOR W5, DALTON & TUKAN



Wolturnus A/S - 2018

Table of contents

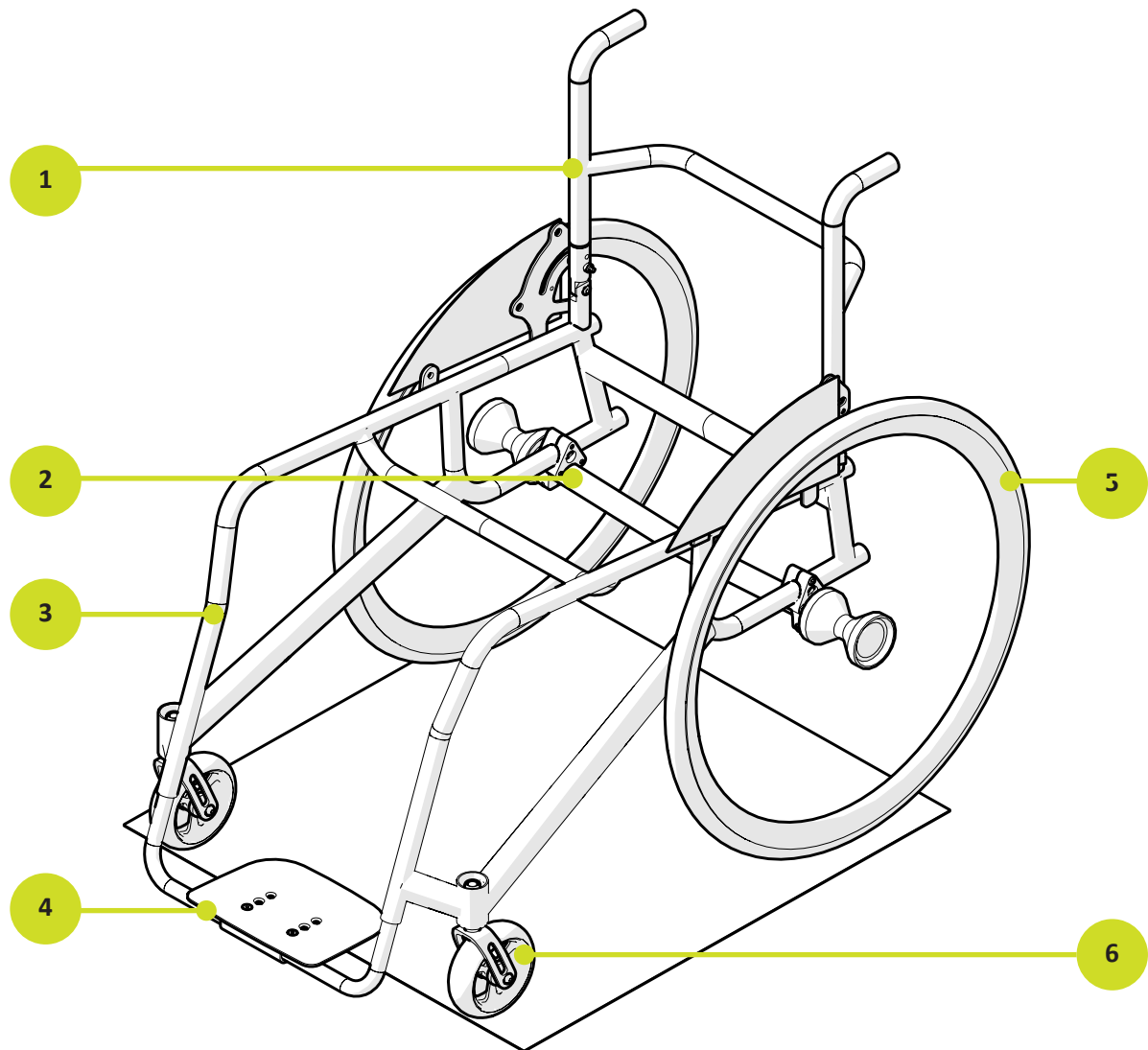
Spare Part Overview	5
Complete Wheelchair.....	5
Light folding back	6
Folding back	7
Rear Axle (Adjustable axle).....	8
Frame	9
Footrest.....	10
Footrest (Footplate on taps).....	11
Swingarm kit U-frontframe f/ Dalton	12
Swingarm kit UV-frontframe f/ Dalton	13
Lockingkit f/ Dalton footrest	14
Footplatekit f/ Dalton footrest	15
Footplate plastic - Etac	16
Seat strap holder	17
Clamp on ILSA	18
Crutch holder	19
Rear Wheel.....	20
Casters	21
Front wheels.....	22
Brakes.....	23
Anti-tip	25
E300 Anti-tip	27
Armrest	28
ILSA for W5	29
Pushhandles	30
Foldng pushhandles	31
Tetra pushhandles	31
Push bar with/ neopren	32
Headrest.....	33
Body Support Pillows	34
4-Point car fastening	35
Oval 4-Point cat fastening	36

Adjusting The Wheelchair	37
Footplate adjustment.....	37
Rear axle adjustment.....	38
Adjustment of brakes.....	38
Adjustment of antitip.....	39
Headrest adjustment.....	40
Change of front wheel.....	41
ILSA adjustment.....	42

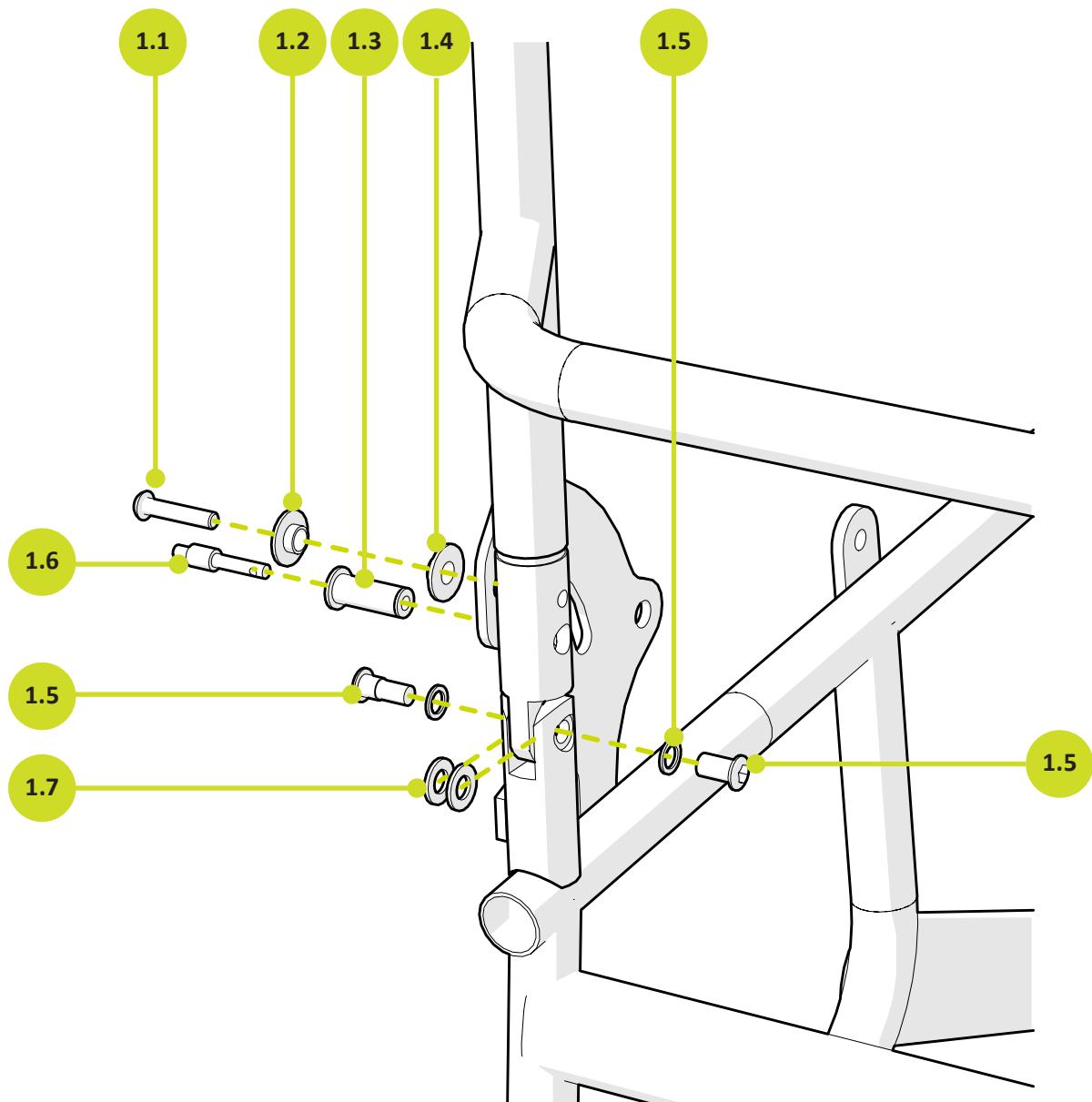


Folding Back Strap			
No.	Item Name	Stock No.	Amount
1	Folding back SW 30 Lightstyle SW 28	760002200100	1
2	Folding back SW 32 Lightstyle SW 30	760002400100	1
3	Folding back SW 34 Lightstyle SW 32	760002600100	1
4	Folding back SW 36 Lightstyle SW 34	760002800100	1
5	Folding back SW 38 Lightstyle SW 36	760003000100	1
6	Folding back SW 40 Lightstyle SW 38	760003200100	1
7	Folding back SW 42 Lightstyle SW 40	760003400100	1
8	Folding back SW 44 Lightstyle SW 42	760003600100	1
9	Folding back SW 46 Lightstyle SW 44	760003800100	1
10	Folding back SW 48 Lightstyle SW 46	760004000100	1
11	Folding back SW 50 Lightstyle SW 48	760004200100	1
12	Folding back SW 52	760004400100	1
13	Folding back SW 54	760004600100	1
14	Folding back SW 56	760004800100	1

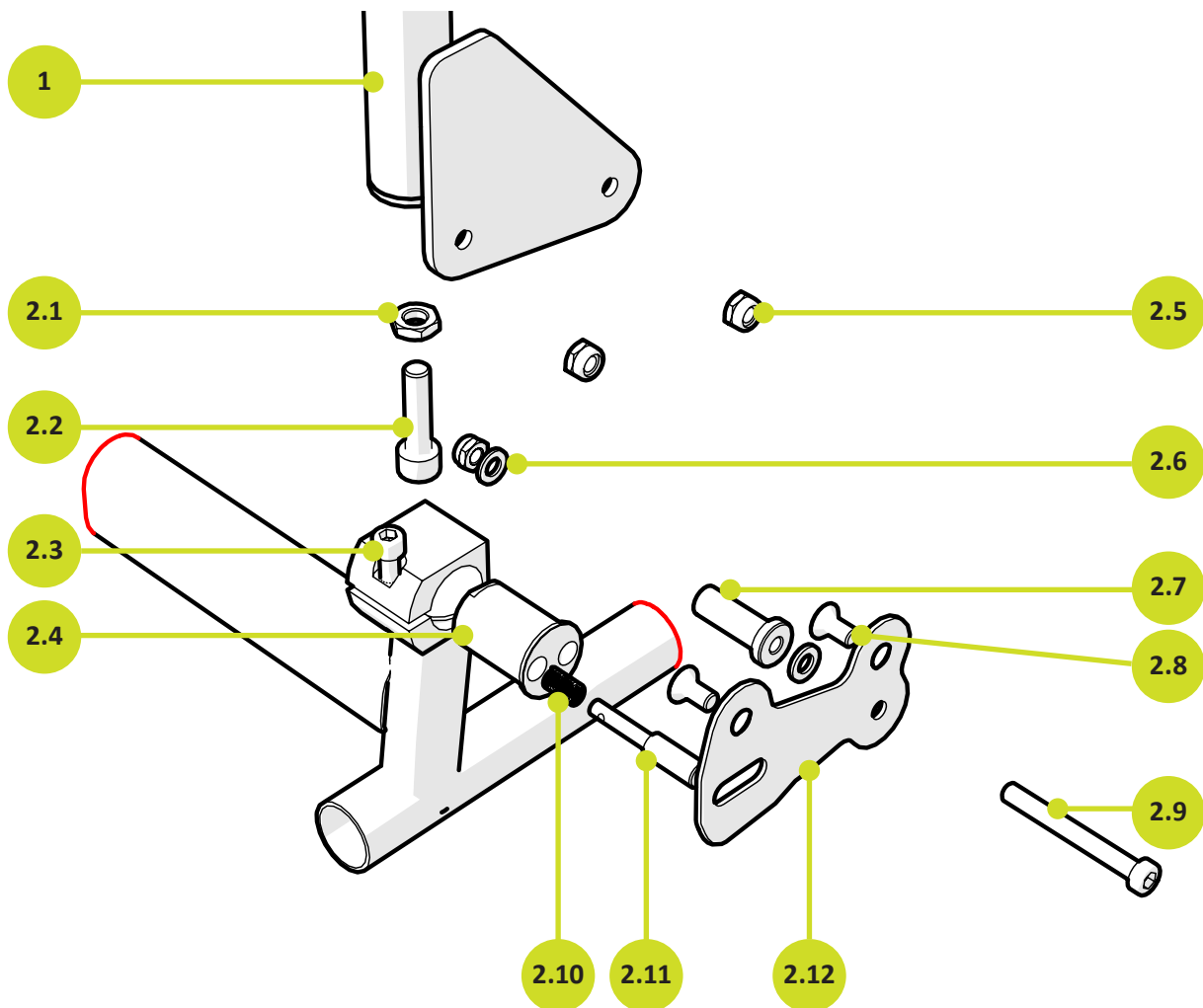
Spare Part Overview



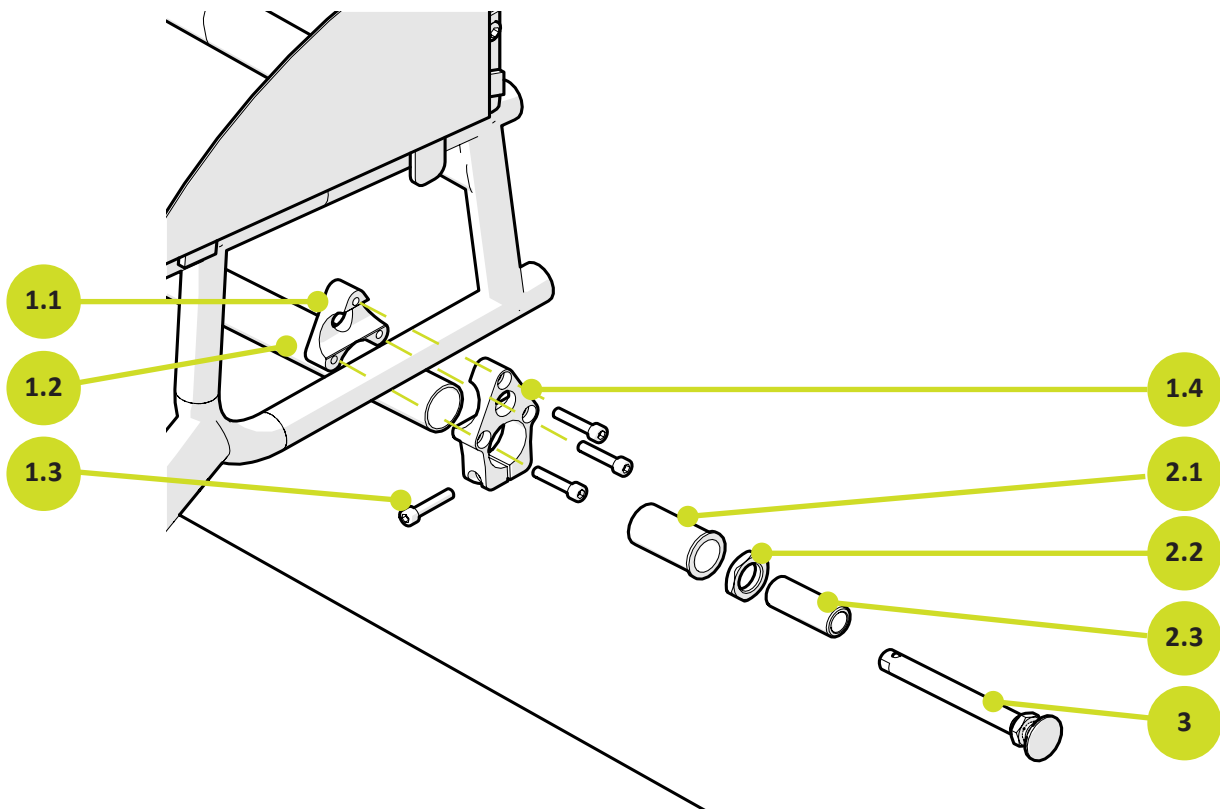
Complete Wheelchair		
No.	Item Name	Page
1	Back Adjustment System	5-6
2	Rear Axle	6
3	Frame	7
4	Footrest	8
5	Rear Wheel	9
6	Castor House	10
-	Anti-tip	14



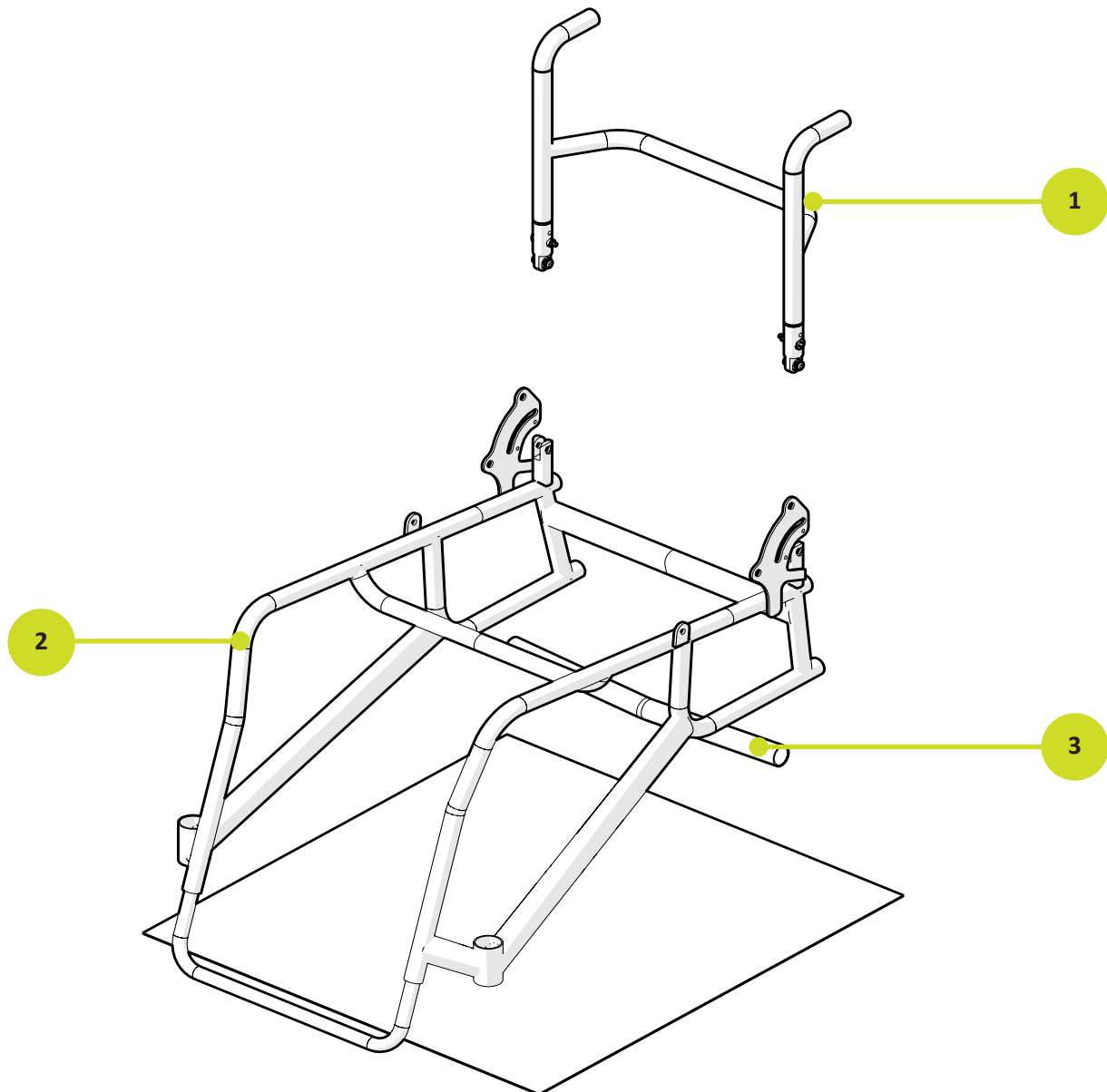
Light folding back			
No.	Item Name	Stock No.	Amount
1	Light folding back, Screws and bolts set		
1.1	M6x35 m/ins 6-KT BH ISO 7380 A2	9106 3542 7380	1
1.2	Bush with collar for folding back - W5 SL	9510 2004 0280	1
1.3	Tap house for folding back - W5 SL	9510 2915 0060	1
1.4	Washer Ø6,4 DIN 9021 A2	9305 6418 9021	1
1.5	Saddlebolt	9540 0000 0009	1
1.6	Pal for folding back - W5 SL	9510 3908 0010	1
1.7	Washer Ø8,4 DIN 9021 - Plast	9308 0400 9021	2



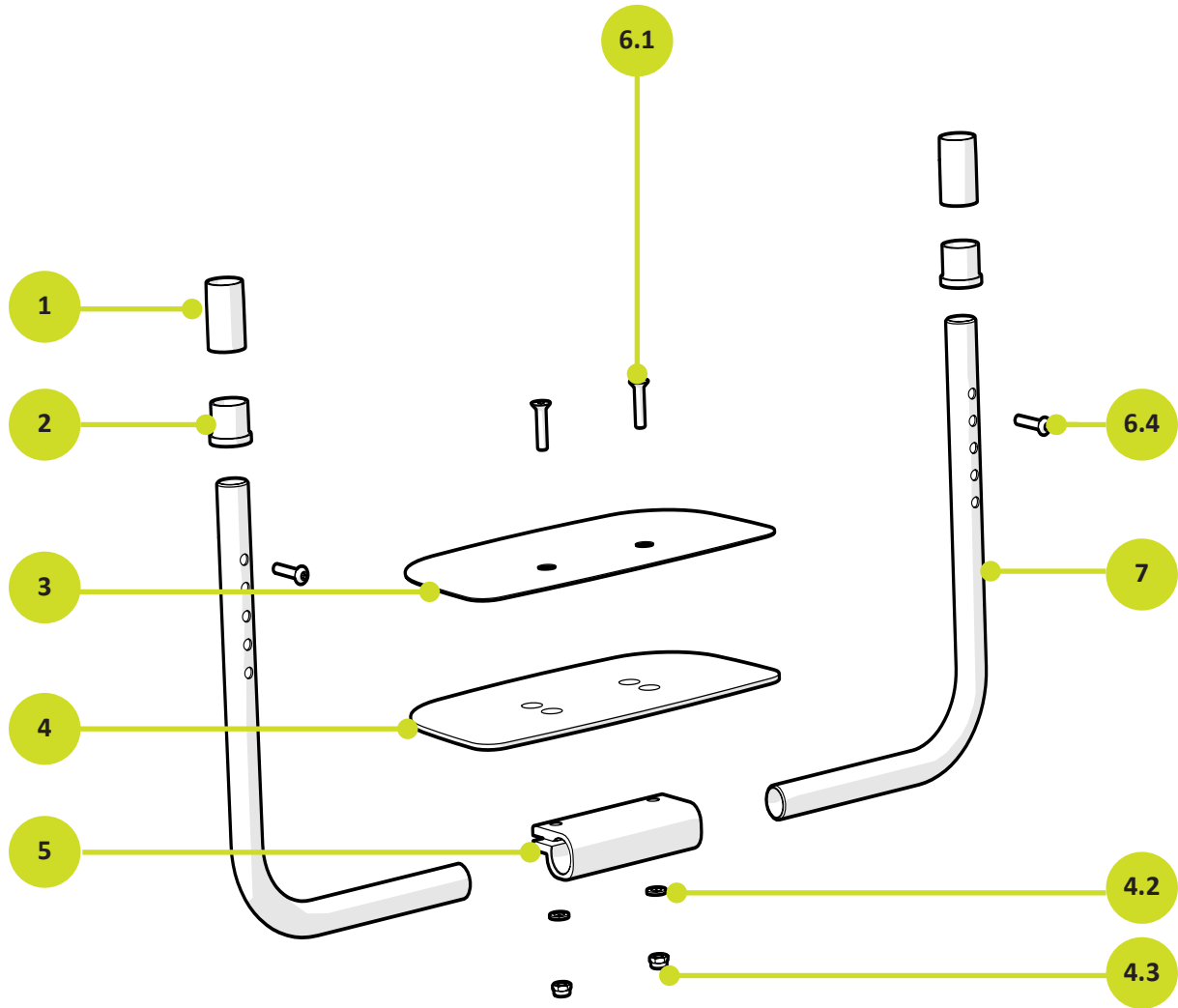
Folding back			
No.	Item Name	Stock No.	Amount
1	Backframe f/ folding back 43/32 W5 f/ lock sv	9000 0000 0076	1
2	Folding back, Screws and bolt set		1
2.1	Nut M8 ISO 4032 FZB	9208 1220 4032	2
2.2	M8x40 m/ins 6-KT CH DIN 912 A2	9108 4041 0912	2
2.3	M6x25 m/ins 6-KT CH DIN 912 A2	9106 2541 0912	2
2.4	Eccentric for folding back	9511 3325 0110	2
2.5	Locknut M6	9206 1441 0511	4
2.6	Washer Ø6.4 DIN 125 - A A2	9306 0410 0125	4
2.7	Bushing for folding back to seat bottom W5	9511 3115 0170	2
2.8	M6x12 m/ins 6-KT UH DIN 7991 A2	9106 1241 7991	4
2.9	M6x45 m/ins 6-KT CH DIN 7984 A2	9106 4541 7984	2
2.10	Spring for single stop brake	9200 0000 0120	2
2.11	Pin for locking system folding back	9511 4007 0120	2
2.12	Lock plate back rest +4/-4 Right	9511 9002 0120	1
Alt.	Lock plate back rest +4/-4 Left	9511 9002 0220	1



Rear Axle (Adjustable axle)			
No.	Item Name	Stock No.	Amount
1	Rear Axle Set - W5		1
1.1	Rear axle console, W5/Tukan, interior	9530 5046 0160	2
Alt.	Rear axle console, W5/Tukan, E300, interior	9530 2457 0160	2
1.2	Adjustable rear axle	6110 0000 0001	2
1.3	M6 x 30mm DIN 912	9106 3041 0912	8
1.4	Rear axle console, W5/Tukan, exterior	9530 5076 0160	2
Alt.	Rear axle console, W5/Tukan, E300, exterior	9530 2482 0160	2
Alt.	Rear axle console OAD, W5/Tuk, ext. right	9530 5099 0260	2
Alt.	Rear axle console OAD, W5/tuk, ext. left	9530 5099 0360	2
2	Axle Bushing Sæt		2
2.1	Rear Axle Bushing Ø25,6x50 just-b/a	9530 2950 0160	2
2.2	Nut for bearing bush	9310 2301 0120	2
2.3	Thread bush rear axle 1/2" QR	9530 1850 0109	2
3	Quick Release Axle - QRA (98-104-108mm)	9530 0XXX 0020	2

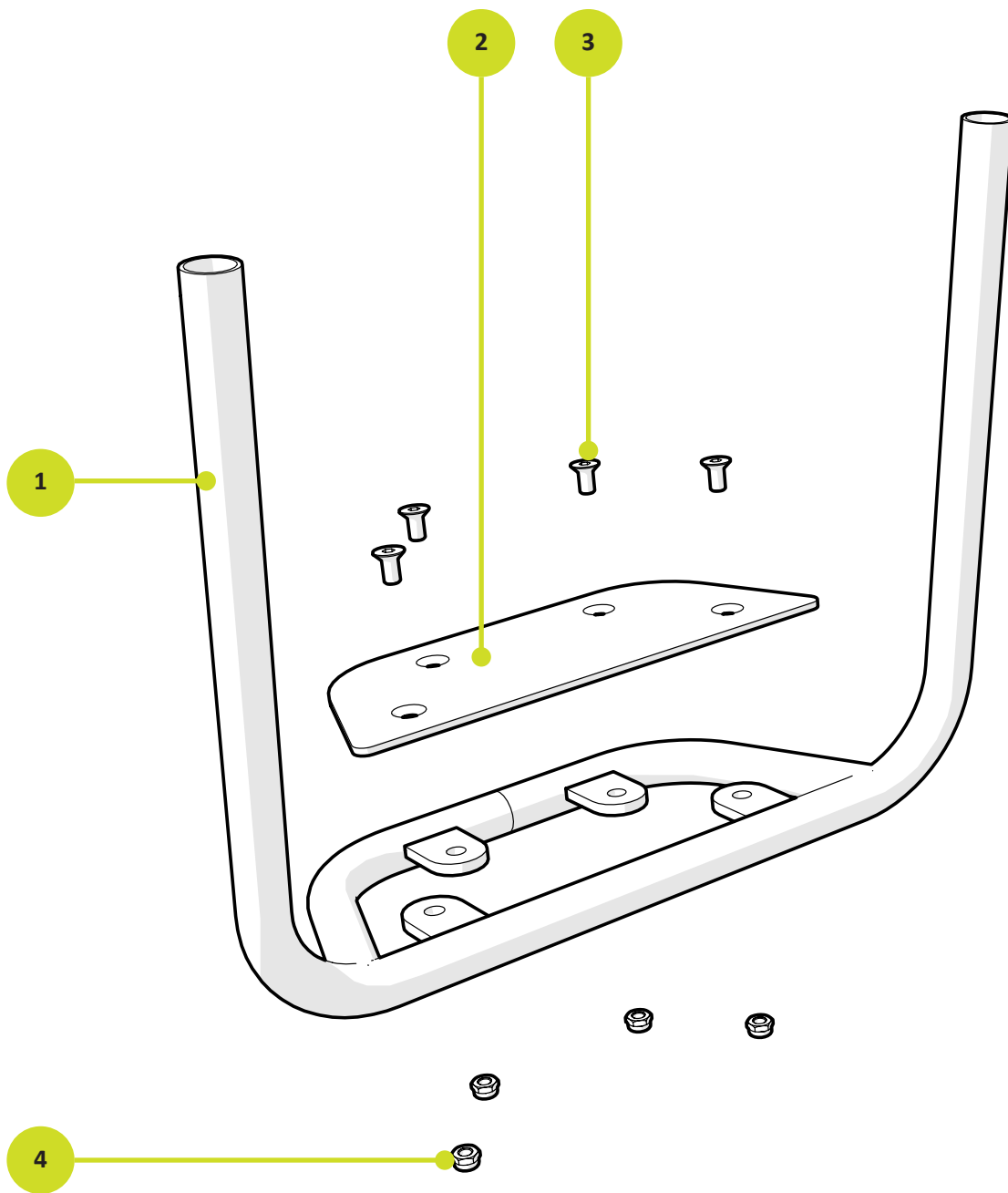


Frame			
No.	Item Name	Stock No.	Amount
1	Light folding back	8131 0000 1009	1
Alt.	Fixed back, welded	8131 0000 1006	1
Alt.	Folding back +/- 4	8131 0000 1007	1
Alt.	Folding back +4 til +12	8131 0000 1008	1
2	Frame		1
3	Adjustable rear axle	6110 0000 0001	1
Alt.	Fixed rear axle Xcm	6110 00XX X009	1



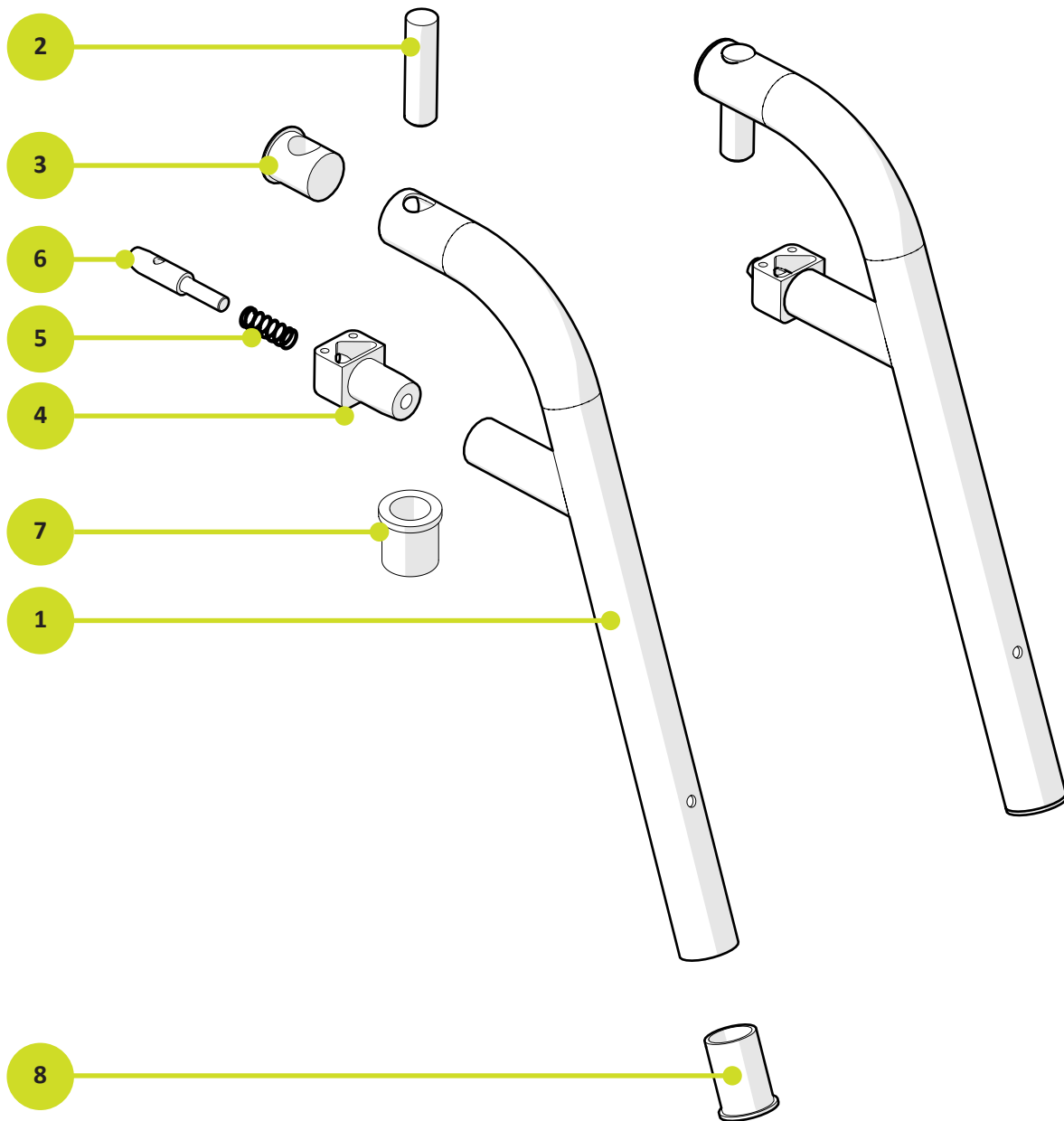
*An orderform must be filled in

Footrest			
No.	Item Name	Stock No.	Amount
1	Bushing plastic w/o flange footrest Ø22,5	9510 2322 0280	2
2	Bushing plastic w/ flange footrest Ø22,5	9510 2521 0280	2
3	Rubber coating of foot plate	8350 9921 0001	1
4	Angle adjustable footplate for W5	9510 9999 0160	1
5	Bracket f/ angle adjustment footplate Ø19	9515 2541 7991	1
6	Angle adj. footplate, Screws and bolt set		1
6.1	M6 x 25 - DIN 7991	9106 2541 7991	2
6.2	Washer DIN 125 - A 6.4	9306 0410 0125	2
6.3	Locknut M6, ISO 10511 A2	9206 1441 0511	2
6.4	M6 x 30 - ISO 7380 A2	9106 3042 7380	2
7	U-tube for angle adj. footrest W5*	9719 0238 0071	1

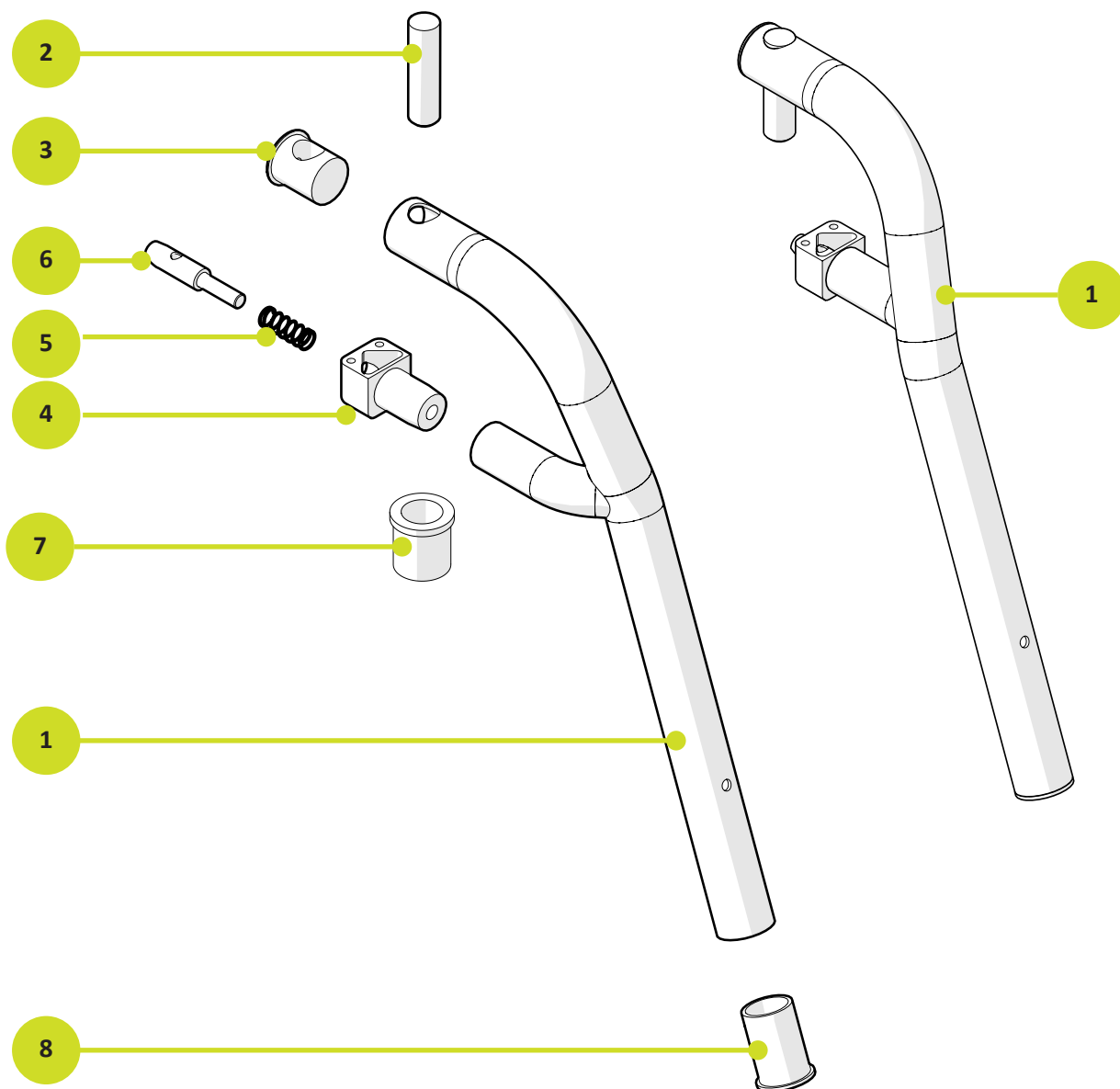


* An orderform must be filled in

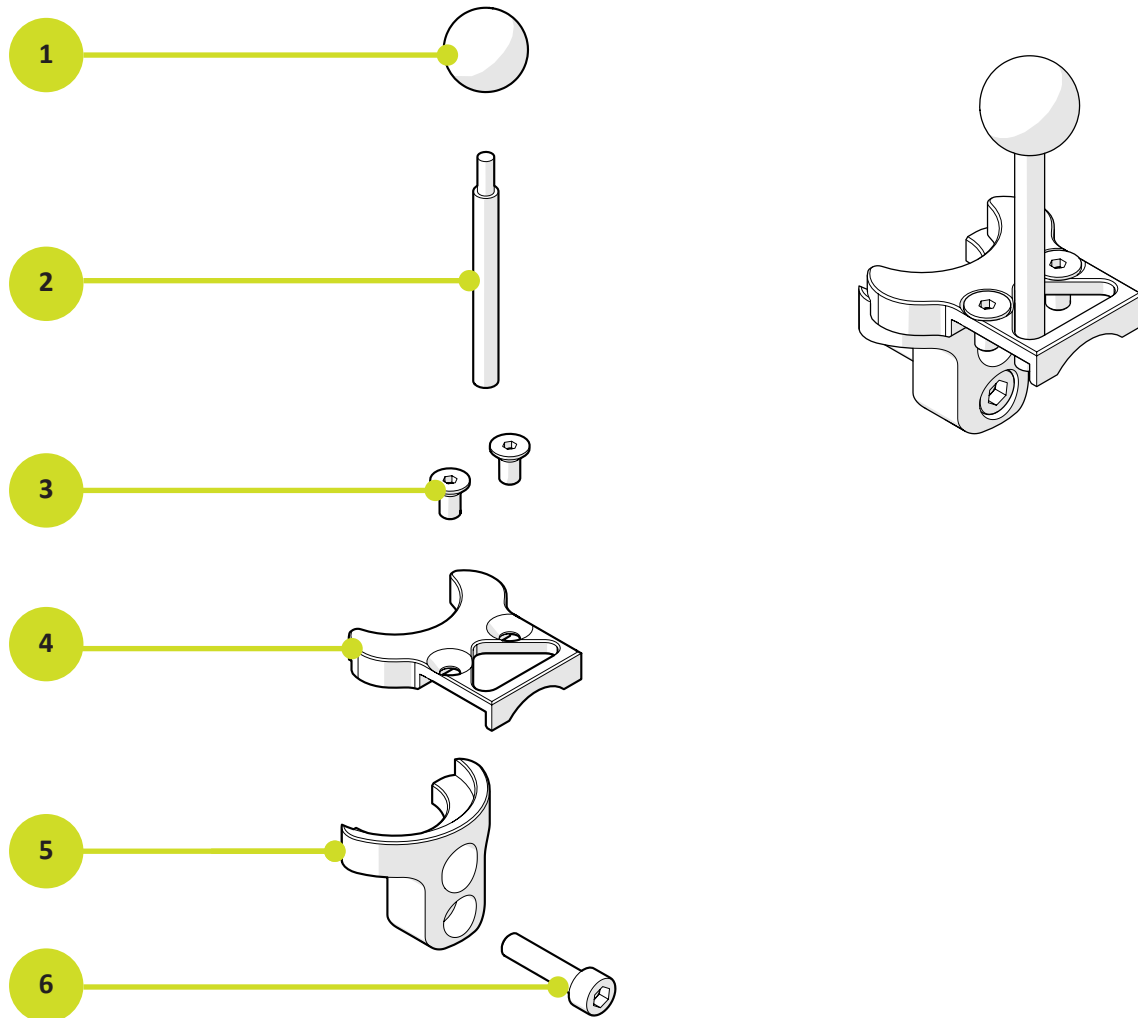
Footrest (Footplate on taps)			
No.	Item Name	Stock No.	Amount
1	Footplate fixed by screws on footrest*	8299 9901 0005	1
2	Carbon plate, screwed on footrest	8299 9902 0090	1
3	M6 x 25 - DIN 7991	9106 2541 7991	4
4	Locknut M6, ISO 10511 A2	9206 1441 0511	4
	Footplate welded on footrest	8299 9901 0001	-



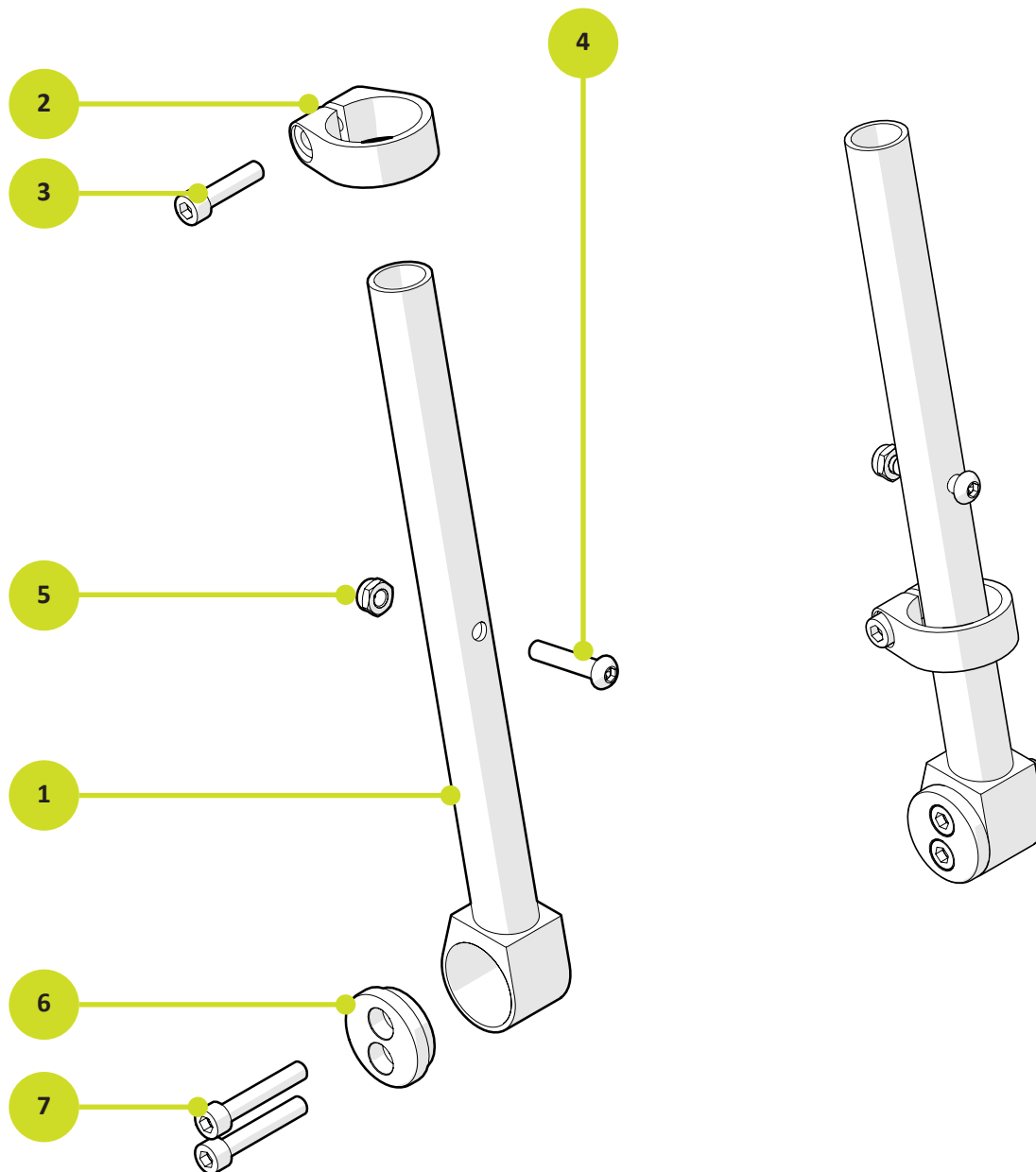
Swingarm kit U-frontframe f/ Dalton			
No.	Item Name	Stock No.	Amount
	Swingarm Kit U-Frontframe f/ Dalton footrest	9512 0015 0070	
1	Footrest tube f/ Dalton - U	9512 9930 0070	1
2	Tap Ø16x60	9512 1660 0160	1
3	Mounting bush for swing lock	9512 2630 0160	1
4	Bush for swing lock	9512 3052 0160	1
5	Spring for lock - Dalton	9200 0000 0110	1
6	Locking pin for swing lock - standard	9512 1262 0114	1
7	Plastic bush f/ up hinge f/ swing lock	9512 2525 0180	1
8	Footrest bushing f/ swing lock	9512 3040 0180	1



Swingarm kit UV-frontframe f/ Dalton			
No.	Item Name	Stock No.	Amount
	Swingarm kit UV - Right f/ Dalton foot support	9512 0020 0070	
Alt.	Swingarm kit UV - Left f/ Dalton foot support	9512 0025 0070	
1	Footrest tube f/ Dalton UV - Right	9512 9930 0170	1
Alt.	Footrest tube f/ Dalton UV - Left	9512 9930 0270	-
2	Tap Ø16x60	9512 1660 0160	1
3	Mounting bush for swing lock	9512 2630 0160	1
4	Bush for swing lock	9512 3052 0160	1
5	Spring for lock - Dalton	9200 0000 0110	1
6	Locking pin for swing lock - standard	9512 1262 0114	1
7	Plastic bush f/ up hinge f/ swing lock	9512 2525 0180	1
8	Footrest bushing f/ swing lock	9512 3040 0180	1



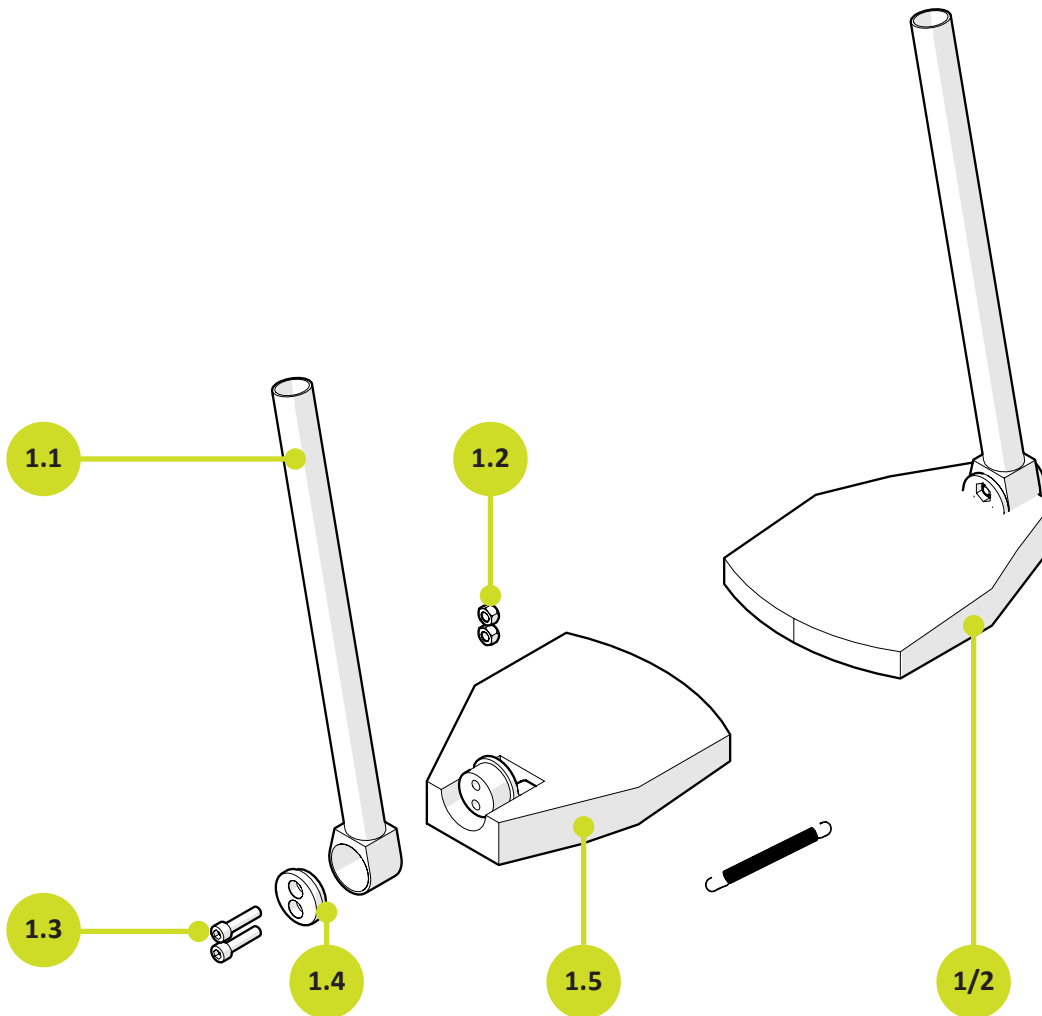
Lockingkit f/ Dalton footrest			
No.	Item Name	Stock No.	Amount
	Locking mechanism f/ Dalton footrest	9512 0010 0070	
1	Knobs for brake release	9540 2004 0000	1
2	Handle f/ locking pin f/ swing lock	9512 0665 0110	1
3	Locking bracket for swing lock	9512 4545 0122	1
4	Receiver standard locking pin for swing lock	9512 3345 0120	1
5	M5x12 m/ins 6-kt UH DIN 7991 A2	9105 1241 7991	2
6	M6x25 m/ins 6-kt CH DIN 912 A2	9106 2541 0912	1



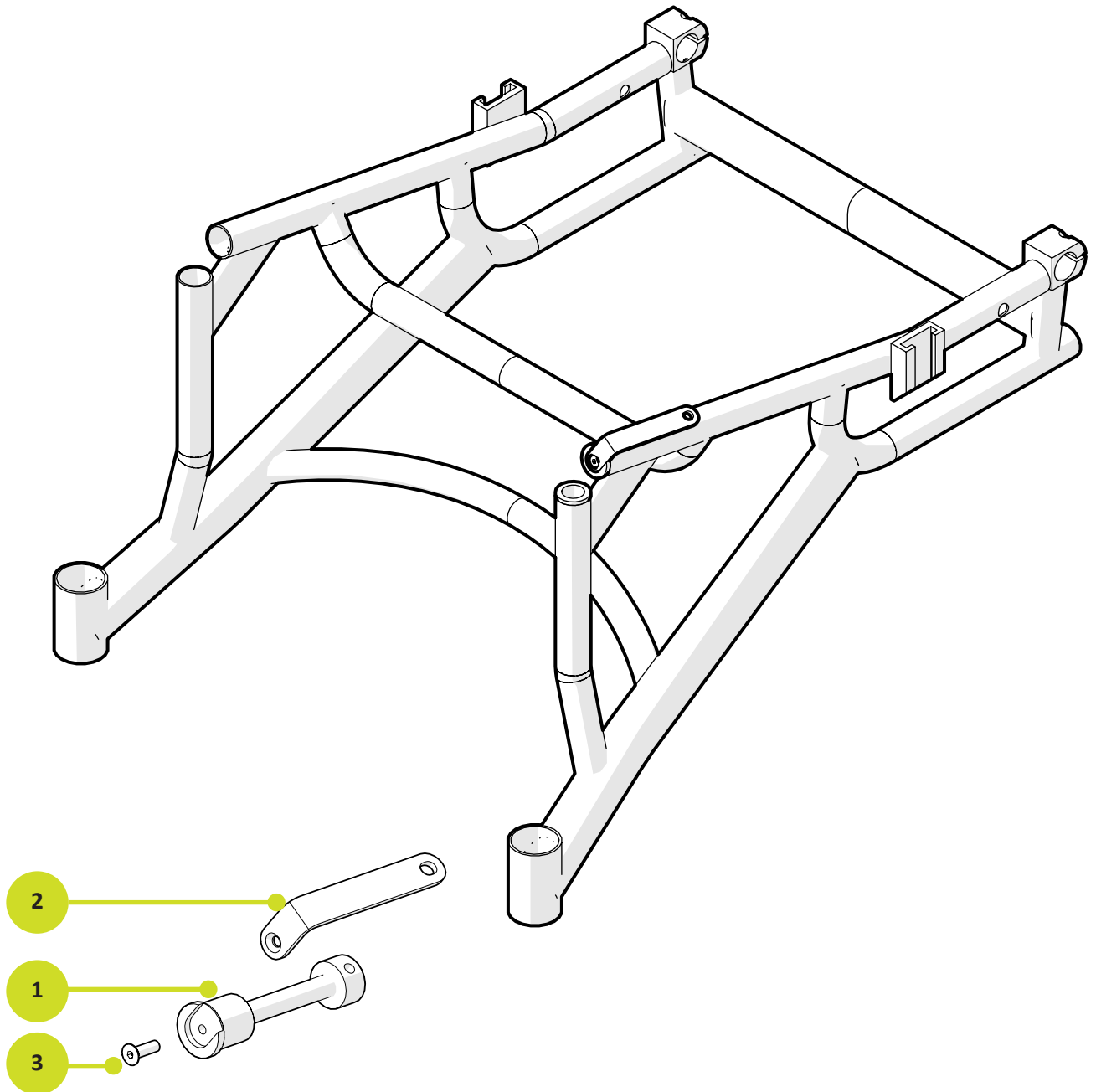
Footplatekit f/ Dalton footrest			
No.	Item Name	Stock No.	Amount
	Footplate kit f/ Dalton footrest	9512 0030 0070	
1	Joint f/ footrest arm	9512 3236 0170	1
2	Clamp f/ Ø30 tube	9540 3000 0000	1
3	M6x25 m/ins 6-KT CH DIN 912 A2	9106 2541 0912	1
4	M6x35 m/ins 6-KT BH ISO 7380 A2	9106 3542 7380	1
5	Locknut M6 ISO 10511 A2	9206 1441 0511	1
6	Friction disk for footrest f/ Dalton	9512 3210 0160	1
7	M6x35 m/ins 6-KT CH DIN 912 A2	9106 3541 0912	1

Spare part overview

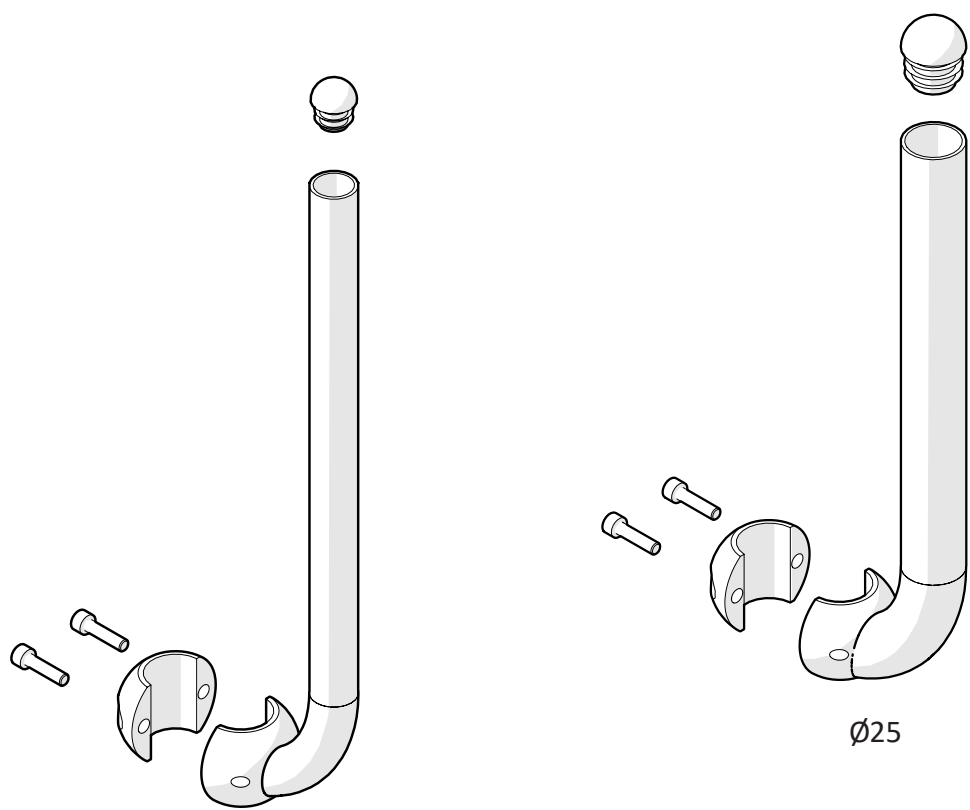
Parts Included			
No.	Item Name	Stock No.	Amount
1.1	Arm for footrest Dalton \varnothing 22 mm	9512 3236 0070	1
1.2	Lock nut M6 DIN 985	9310 0600 0820	2
1.3	Screw M6x25 m/ins 6-KT CH DIN 912 A2	9106 2541 0912	2
1.4	Friction disk for footrest f/ Dalton	9512 3210 0160	1
1.5	Footplate plastic (Not sold separately)	9512 9930 XXXX	1



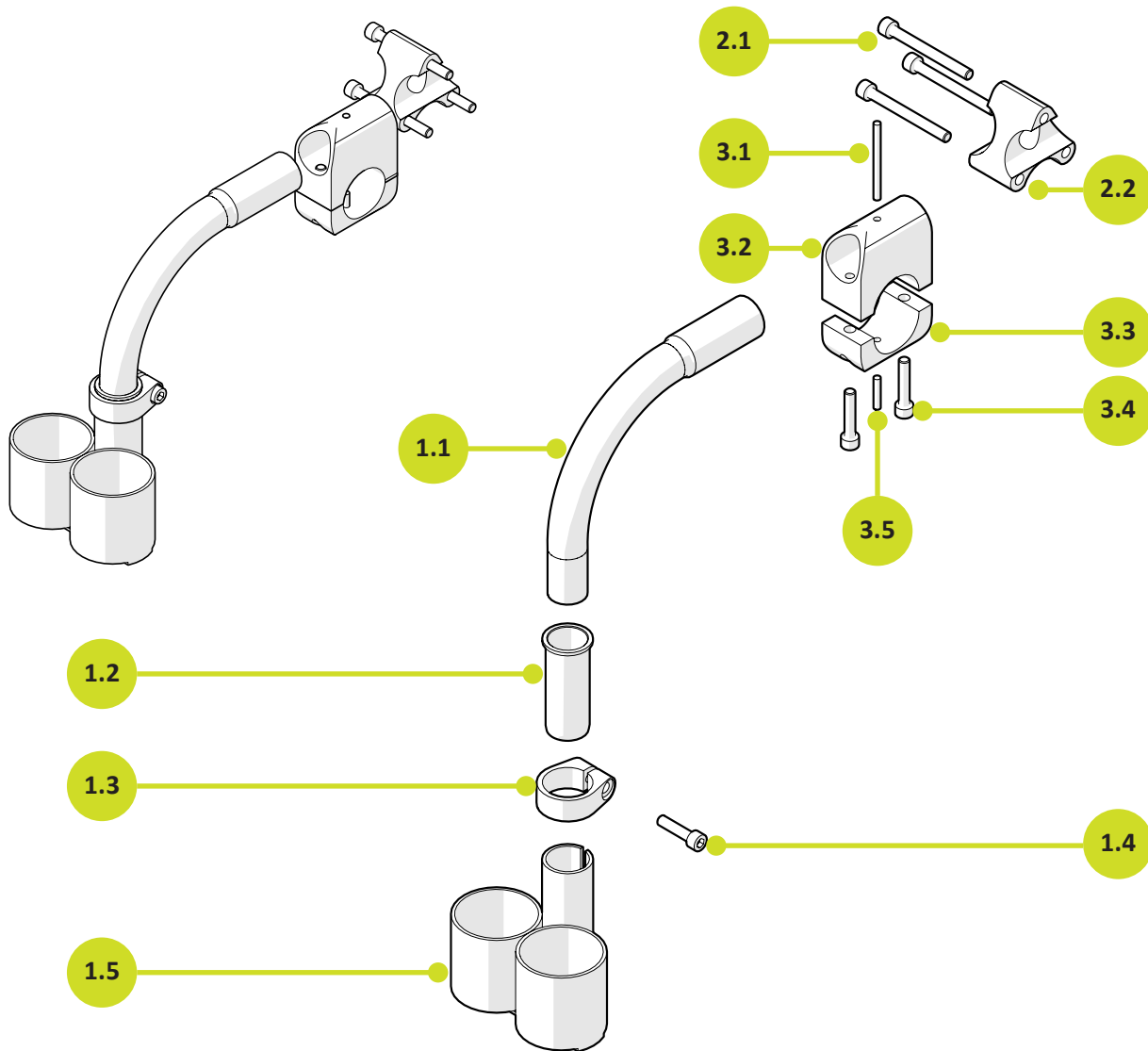
Footplate plastic - Etac			
No.	Item Name	Stock No.	Amount
1	Footplate plastic 140mm Right f/ Dalton	9512 0009 0004	1
Alt.	Footplate plastic 150mm Right f/ Dalton	9512 0009 0006	1
Alt.	Footplate plastic 160mm Right f/ Dalton	9512 0009 0008	1
Alt.	Footplate plastic 175mm Right f/ Dalton	9512 0009 0010	1
Alt.	Footplate plastic 190mm Right f/ Dalton	9512 0009 0012	1
2	Footplate plastic 140mm Left f/ Dalton	9512 0009 0003	1
Alt.	Footplate plastic 150mm Left f/ Dalton	9512 0009 0005	1
Alt.	Footplate plastic 160mm Left f/ Dalton	9512 0009 0007	1
Alt.	Footplate plastic 175mm Left f/ Dalton	9512 0009 0009	1
Alt.	Footplate plastic 190mm Left f/ Dalton	9512 0009 0011	1



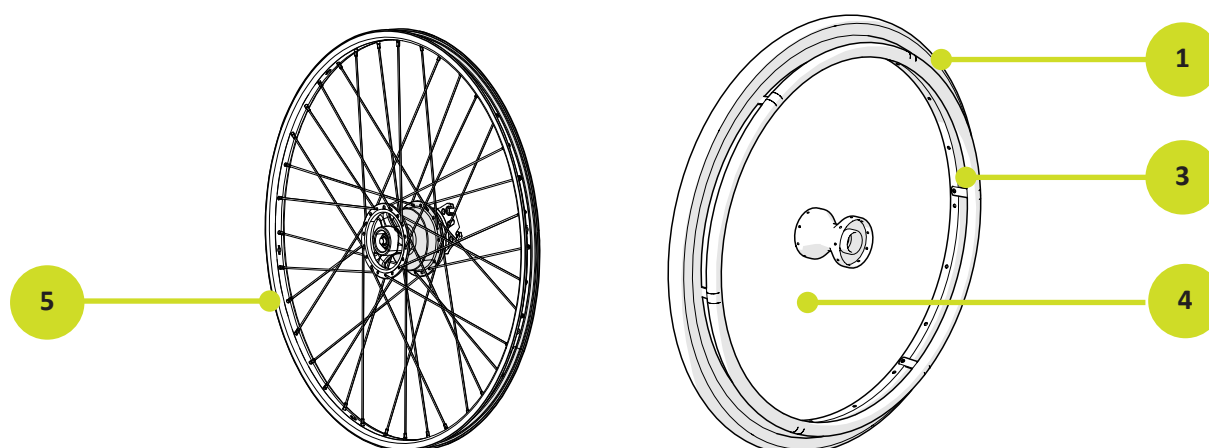
Seat strap holder			
No.	Item Name	Stock No.	Amount
1	Seat strap holder f/ Dalton Ø25-2,0	9512 9220 0160	1
Alt.	Seat strap holder f/ Dalton Ø25-1,5	9512 9222 0160	1
2	Brace for seat strap holder f/ Dalton	9512 9915 0370	1
3	M6x16 m/ins 6-KT BH ISO 7380 A2	9106 1642 7380	1



Clamp on ILSA			
No.	Item Name	Stock No.	Amount
1	ILSA tube Ø19mm/ballclamp - 5 cm protrusion	9511 1950 0170	1
Att.	ILSA tube Ø19mm/ballclamp - 7 cm protrusion	9511 1970 0170	1
2	ILSA tube Ø25mm/ballclamp - 5 cm protrusion	9511 2550 0170	1
Att.	ILSA tube Ø25mm/ballclamp - 7 cm protrusion	9511 2570 0170	1

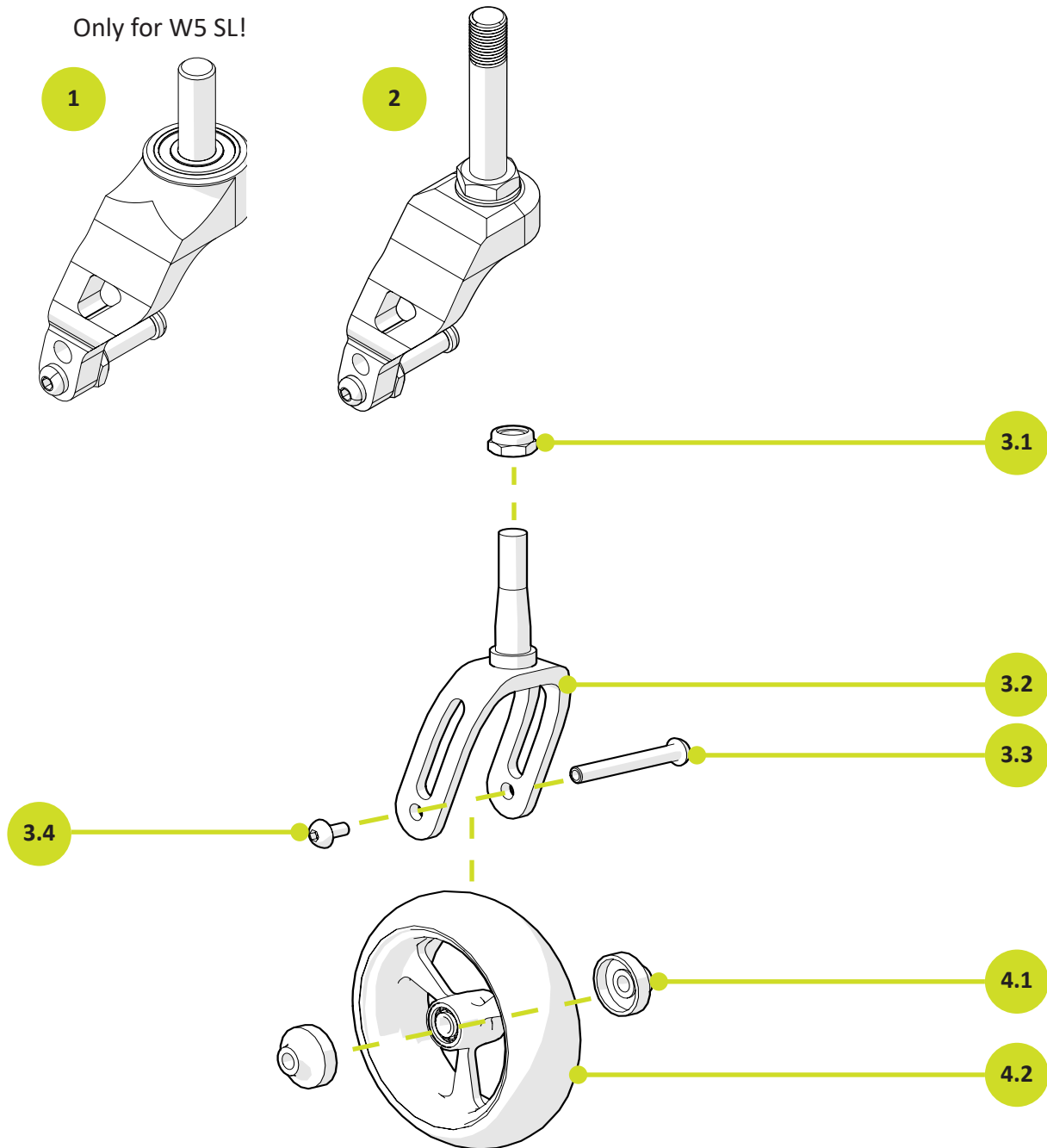


Crutch holder			
No.	Item Name	Stock No.	Amount
1	Crutch holder		
1.1	Crutch holder $\varnothing 22 - \varnothing 25$	Drawnr.: 11939	1
1.2	Bushing f/ $\varnothing 22$	9510 6028 0080	1
1.3	Sattel/ring for $\varnothing 28$	9540 0000 0011	1
1.4	M6x25 m/ins 6-KT CH DIN 912 A2	9106 2541 0912	1
1.5	Double crutch holder Foot	Drawnr.: 11938	1
2	For adjustable rear axle	8862 1010 1001	
2.1	M6x65mm	9106 6541 0912	1
2.2	M-block rear axle bracket anti-tipper W5	9530 5046 0360	1
3	For fixed rear axle	8862 1010 1002	
3.1	Roll pin 4x50	Drawnr.: 11941	1
3.2	Upper part holder $\varnothing 35$ mm for antitip	9510 5549 0160	1
3.3	Lower part holder $\varnothing 35$ mm for antitip	9510 5530 0160	1
3.4	M6x30 m/ins 6-KT CH DIN 912 A2	9106 3041 0912	2
3.5	Roll pin 4x20	9120 0420 0120	1

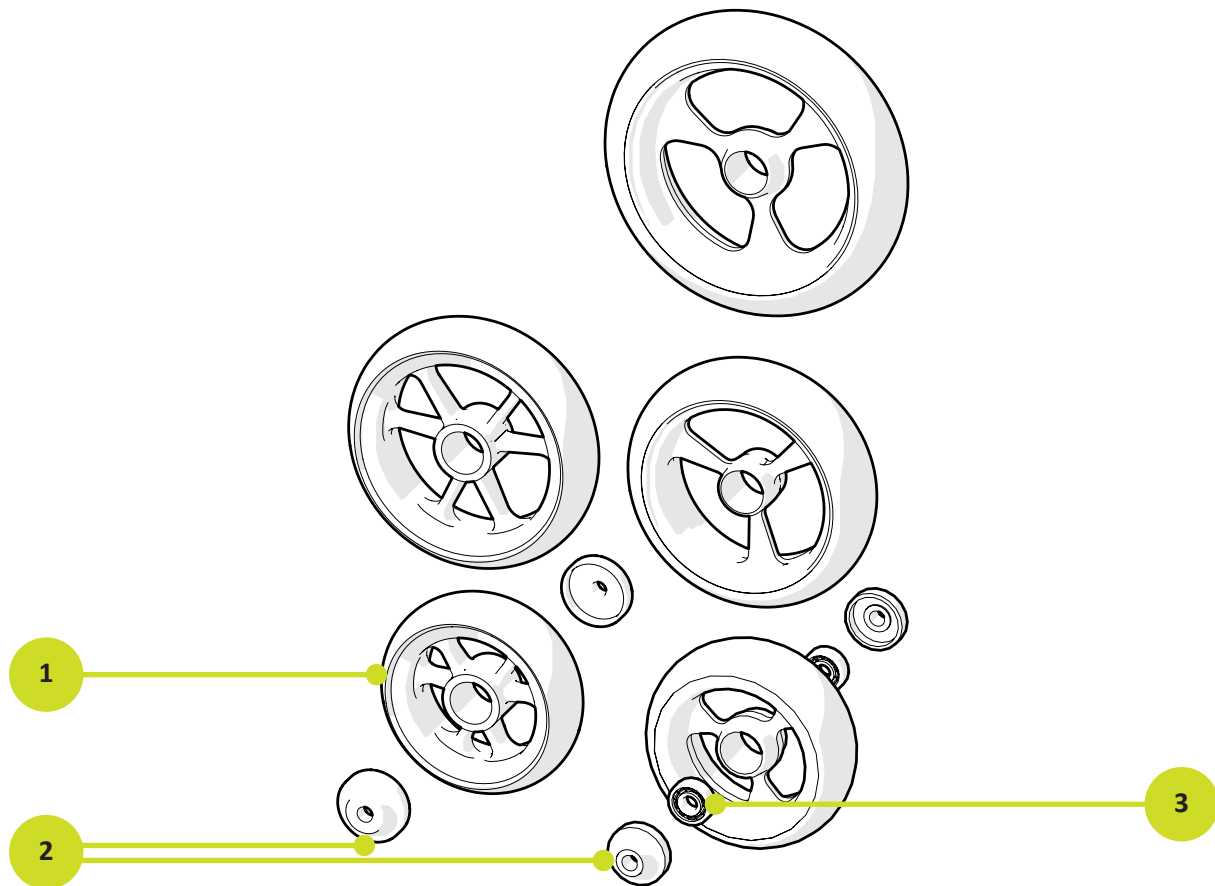


Rear Wheel			
No.	Item Name	Stock No.	Amount
1	Spoke Wheel 22" Set (Inc. QRA)	8510 2210 1009	2
Alt.	Spoke Wheel 24" Set (Inc. QRA)	8510 2410 1009	2
Alt.	Spoke Wheel 26" Set (Inc. QRA)	8510 2620 1009	2
Alt.	Spinergy 12 Spokes LX Wheel 24" Set (Inc. QRA)	8535 2410 1C08	1
Alt.	Spinergy 12 Spokes LX Wheel 26" Set (Inc. QRA)	8535 2610 1C08	1
Alt.	Spinergy 18 Spokes L Wheel 24" Set (Inc. QRA)	8535 2410 1C09	1
Alt.	Spinergy 18 Spokes L Wheel 26" Set (Inc. QRA)	8535 2610 1C09	1
2	Quick Release Axle - QRA (98-104-108mm)	9530 0XXX 0020	2
3	Alu Pushrim (22", 24", 25")	8551 SS10 2008	2
Alt.	Titan Pushrim (22", 24", 25")	8555 SS00 00VV	-
Alt.	High Friction Pushrim (24", 25")		-
Alt.	Carbolife Gekko Pushrim 6L (24", 25")	8554 28SS 0601	-
Alt.	Plastic Pushrim (22", 24")	8561 SS10 0001	-
Alt.	Steel Pushrim (22", 24", 25")	8550 SS10 3009	-
Alt.	Max Grepp Ergo Para CP Pushrim (22", 24")	8554 18SS 0601	-
Alt.	Curve L TG (Friction) Pushrim (24", 25")	8554 27SS 06VV	-
Alt.	B-Braver	8557 SS0C 00VV	-
4	Tire		
	Spoke ??? mm	9661 ????? 0001	-
	Nipple 14 mm ABS Plast	9661 0000 0002	-
5	Wheels with drum brakes set (w/o tire)	8537 2811 10SS	1
	Brake handle for drumbrake	9515 6022 0X00	2
	Brake wire 1,7 x 1750 MT	9540 9117 0001	2
	Cable housing 5mm Black	9540 0000 0006	2
Info.	C = Color: Black = 0, Blue = 2, Red = 3, Yellow = 4, White = 5 SS = Size: 22" = 22, 24" = 24, 26" = 26 VV = Version: Length 6 = 09, Length 4 = 10		

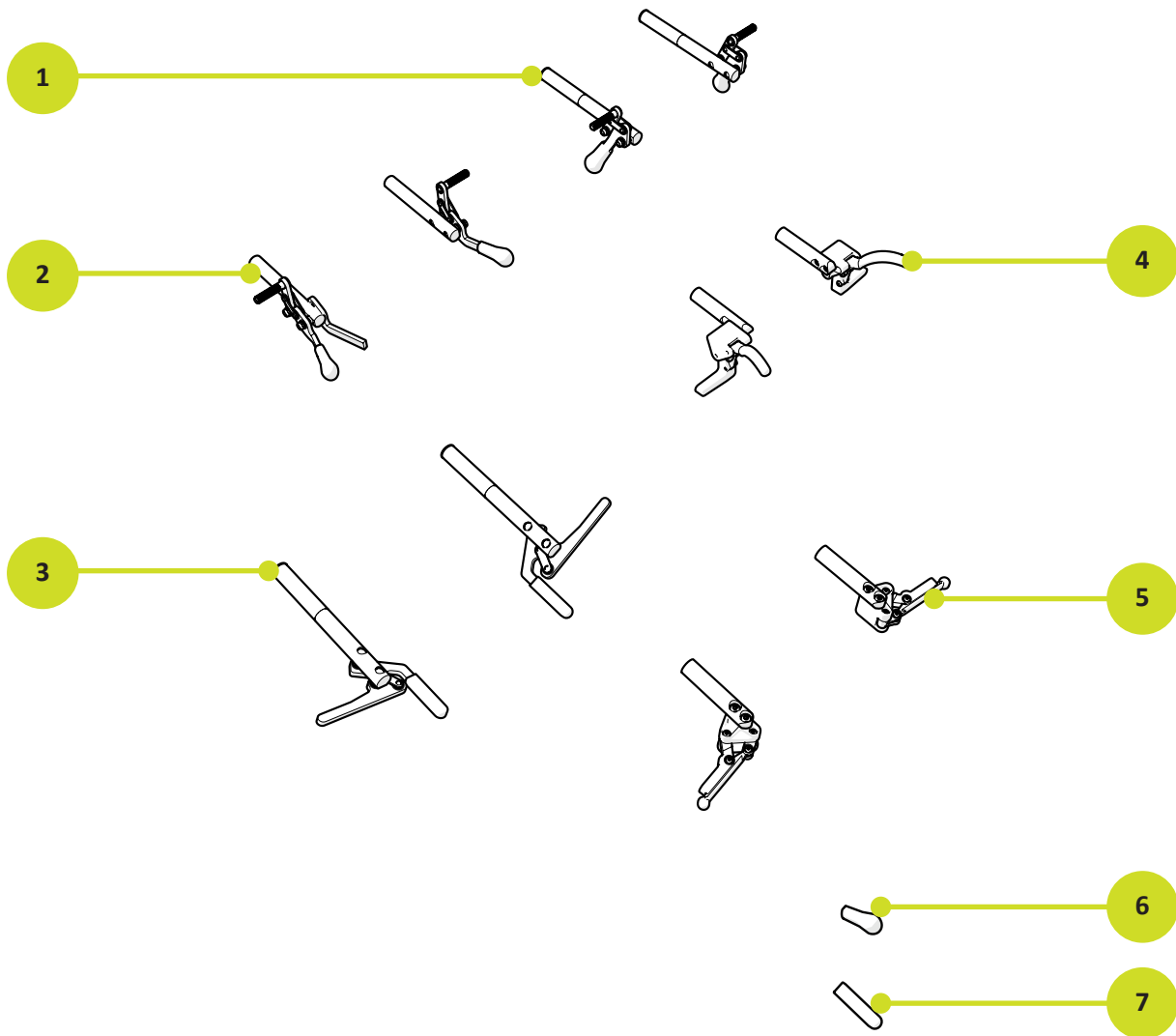
Only for W5 SL!



Casters			
No.	Item Name	Stock No.	Amount
1	Front fork 4-5" single-sided with bearings	9520 4604 0380	2
2	Front fork 4-5" single-sided	9520 4604 0280	2
3	Front fork set		2
3.1	Locknut M12x1,25 ISO 10511 FZB	9212 2241 0511	2
3.2	Front fork X" incl. axel	9000 0000 001X	2
3.3	Axle Ø8x55	9931 0005 50020	2
3.4	M6x12 m/ins 6-KT BH f/ front wheel	9910 6126 60000	2
4	Front wheel set		2
4.1	Cap for std. alu wheels	9520 3015 0380	4
4.2	Alu front wheel	8400 0000 002X	2

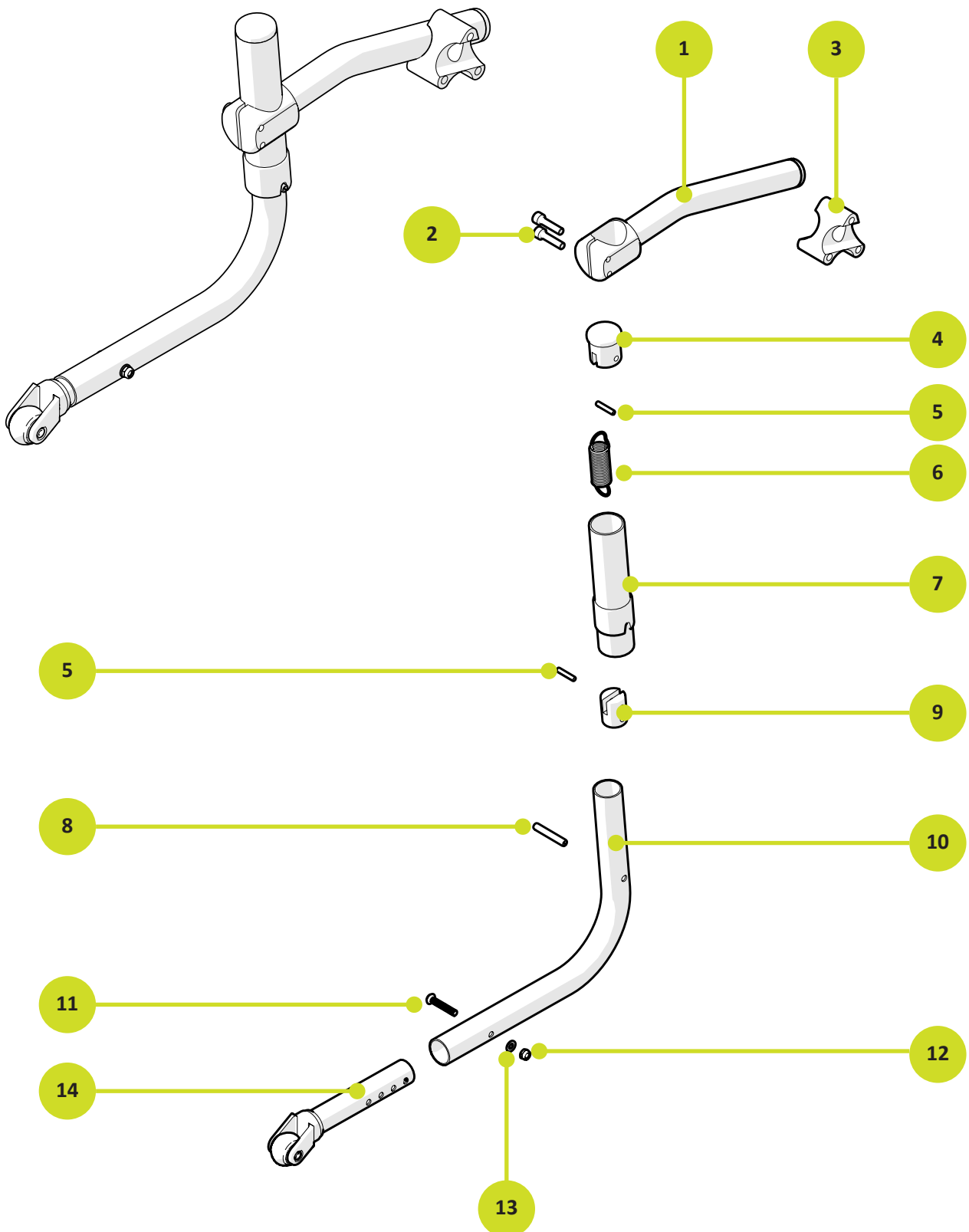


Front wheels			
No.	Item Name	Stock No.	Amount
1	Front Wheel 4" x 1,5" (105 x 36) Alu	9664 0100 0020	2
Alt.	Front Wheel 5" x 1,5" (130 x 36) Alu	9664 0125 0020	-
Alt.	Front Wheel 6" x 1,5" (150 x 36) Alu	9664 0150 0020	-
Alt.	Front Wheel 4" x 1,5" (105 x 34) Fiber Plastic Black	9664 0100 3400	-
Alt.	Front Wheel 5" x 1,5" (125 x 34) Fiber Plastic Black	9664 0125 3400	-
Alt.	Front Wheel 6" x 1,5" (150 x 34) Fiber Plastic Black	9664 0150 3400	-
2	Cap f/ Alu Wheel	9520 3015 0180	4
Alt.	Cap f/ Fiber Plastic Wheel	9520 3015 0280	-
3	Bearing and Axle Set	9664 0000 0140	1
<i>incl.</i>	<i>Bearings</i>	-	4
<i>incl.</i>	<i>Axle Bolt</i>	-	2
<i>incl.</i>	<i>Nut</i>	-	2

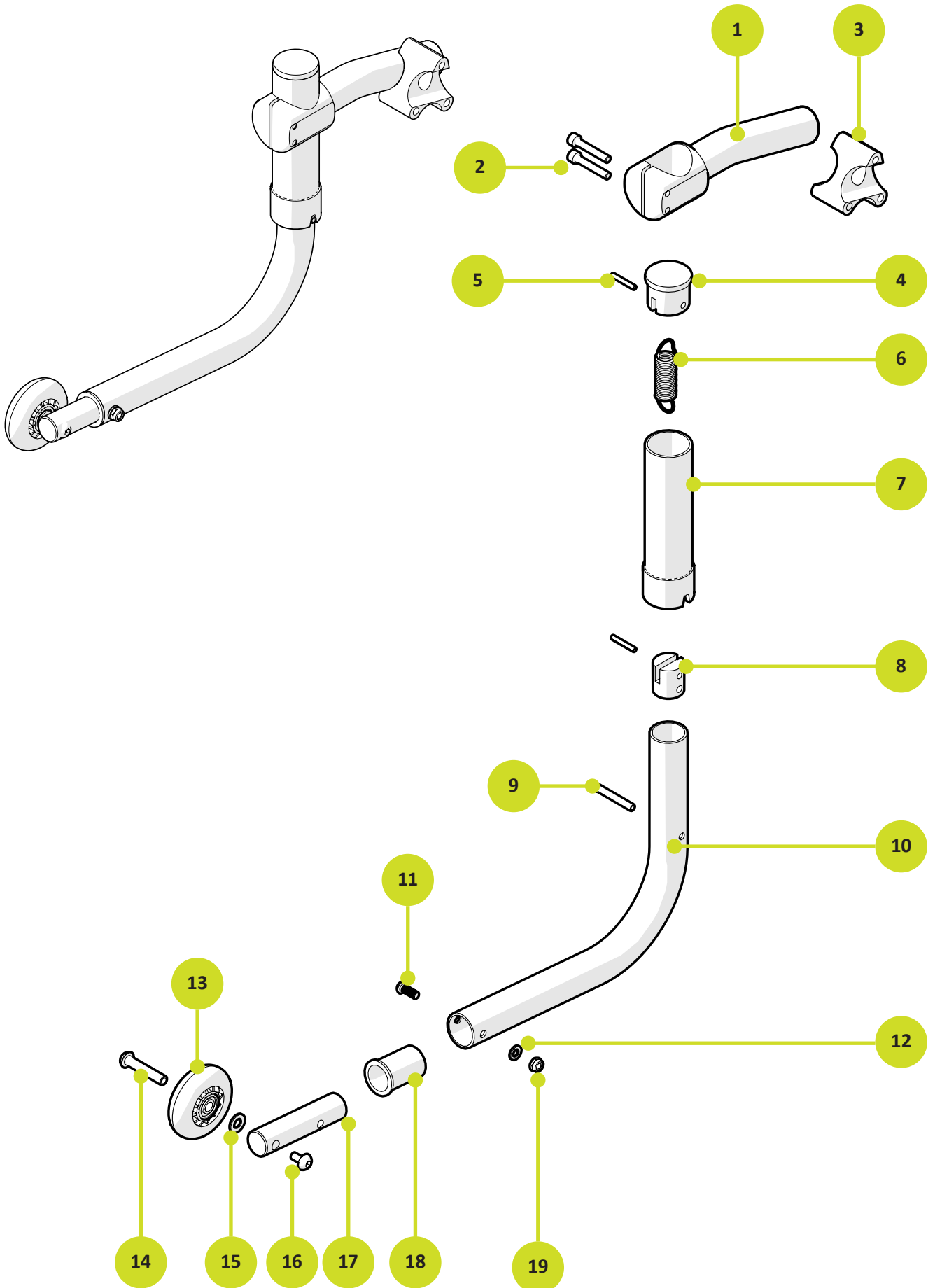


Brakes			
No.	Item Name	Stock No.	Amount
1	Push-Action Wheel-Locks	8851 1010 1001	1
2	Push-Action Wheel-Locks, Bend Handles	8851 1010 1003	-
3	Scissor Wheel-Locks	8851 1020 1009	-
4	Push-Action Wheel-Locks (Plastic Fibre)	8851 1010 1101	-
5	Scissor Wheel-Locks Small (Plastic Fibre)	8851 1020 1109	-
	Single stop brake set kpl w/discs	8851 1030 1009	-
	One-hand wheel-lock (left)	8851 2010 1009	-
	One-hand wheel-lock (right)	8851 2010 1010	-
	Extension handles for wheel-lock	8851 1012 2002	-
6	Rund rubber for brake handles	8851 0000 0021	2
7	Flat rubber for brake handles	8851 0000 0022	-

Spare part overview



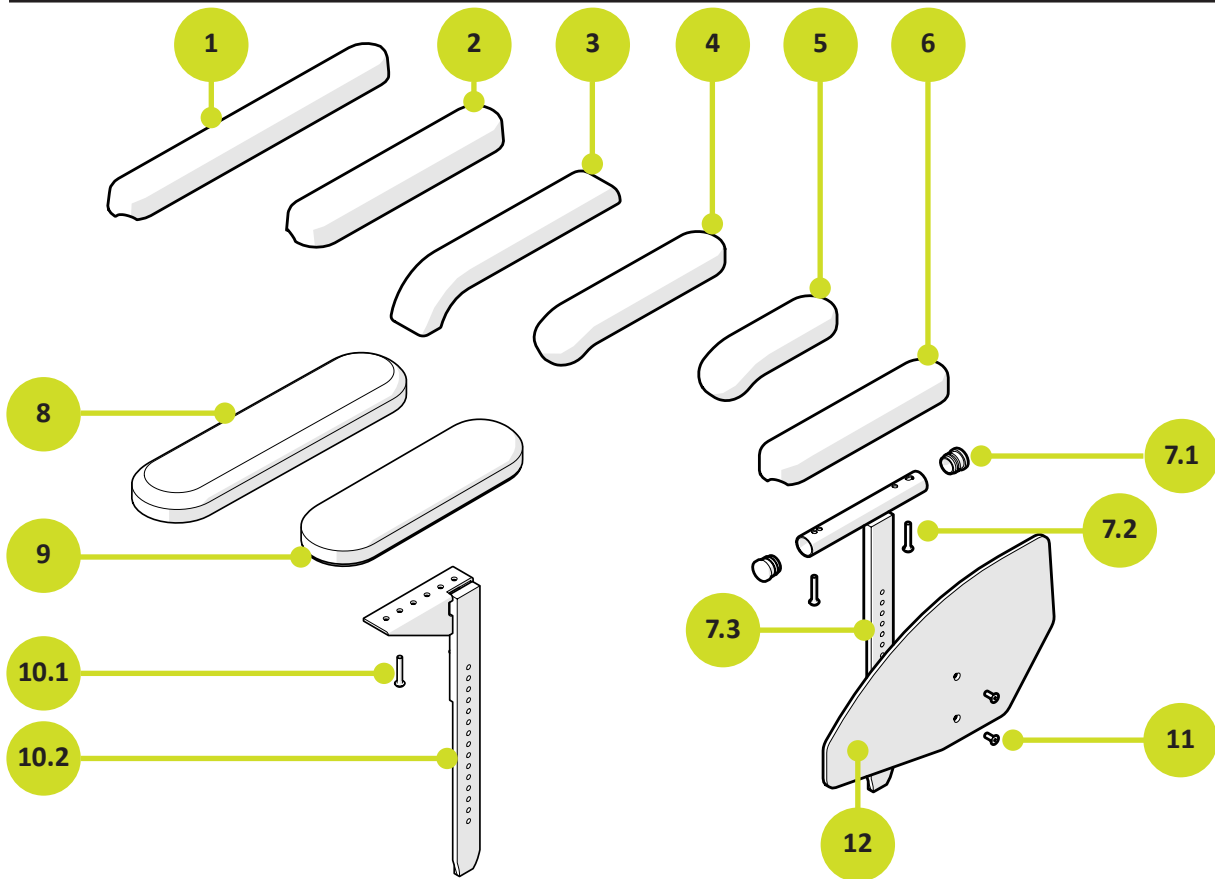
Anti-tip			
No.	Item Name	Stock No.	Amount
	Anti-tip swing away, adjust. rear axle	8861 1010 1300	
1	Bracket for anti-tip compl.	9000 0000 0006	1
2	M6x25 m/ins 6-KT CH DIN 912 A2	9106 2541 0912	2
3	M-block rear axle bracket anti-tip W5	9530 5046 0360	1
4	Top for anti-tip	9510 3130 0180	1
5	Spring pin Ø4x20 ISO 8752	9120 0420 0120	2
6	Extension spring 1,6x17x22x64 f/ anti-tip	9200 0000 0100	1
7	Guide bush for anti-tip W5 compl.	9000 0000 0001	1
8	Spring pin Ø6x36 ISO 8752	9120 0636 0120	1
9	Bearing bush Ø21,5x27,5 for anti-tip	9510 2228 0160	1
10	Tube long for anti-tip W5 adjustable	9725 0232 3070	1
11	M5x30 m/ins 6-KT BH ISO 7380 A2	9105 3042 7380	1
12	Locknut M5 ISO 10511 A	9205 1441 0511	1
13	Washer Ø5.3 DIN 125 - A A2	9305 0410 0125	1
14	Tube short for anti-tip assembled with wheel	9000 0000 0005	1
-	M6x65 m/ins 6-KT CH DIN 912 A2	9106 6541 0912	3



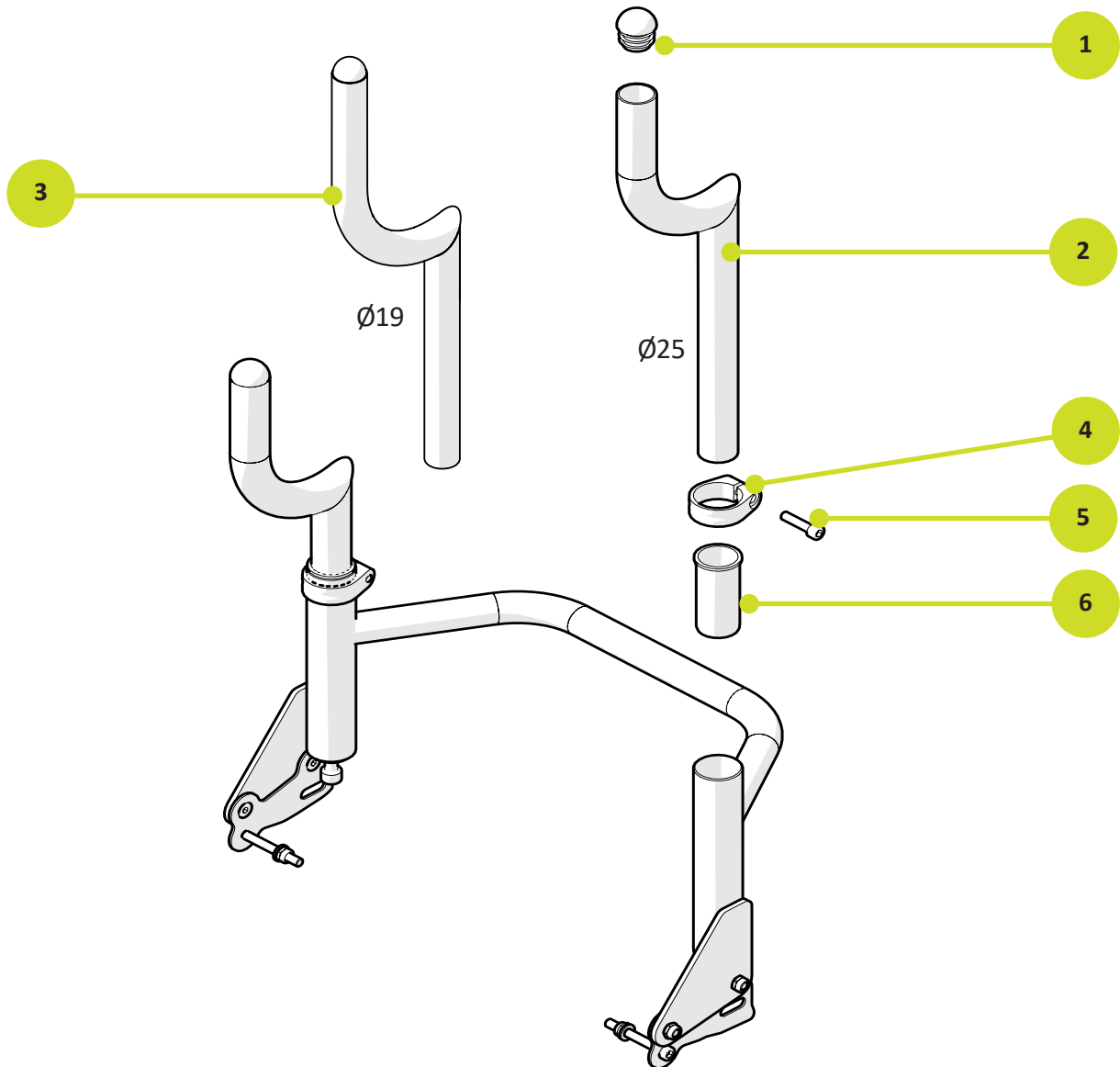
E300 Anti-tip			
No.	Item Name	Stock No.	Amount
	Antitip W5 E300 strong f/ adjust. axle	8861 1010 1310	
1	Bracket for anti-tip compl.	9000 0000 0006	1
2	M6x25 m/ins 6-KT CH DIN 912 A2	9106 2541 0912	2
3	M-block rear axle bracket anti-tip W5 E300	9530 5052 0160	1
4	Top for anti-tip W5 E300	9510 3830 0180	1
5	Spring pin \varnothing 4x25 ISO 8752	9120 0425 0120	2
6	Extension spring 1,6x17x22x64 f/ anti-tip	9200 0000 0100	1
7	Guide bush for anti-tip W5 E300	9000 0000 0074	1
8	Bearing bush \varnothing 21,5x27,5 f/ anti-tip W5 E300	9510 2628 0160	1
9	Spring pin \varnothing 6x40 ISO 8752	9120 0640 0120	1
10	Tube long f/ anti-tip W5 E300	9730 0238 4070	1
11	M6x35 m/ins 6-KT CH DIN 912 A2	9106 3541 0912	1
12	Washer \varnothing 5.3 DIN 125 - A A2	9305 0410 0125	1
13	Skater wheel 63x18mm kpl	9664 0063 0001	1
14	Axle \varnothing 8x40	9931 0004 0002 0	1
15	Washer \varnothing 8.4 DIN 125 - A A2	9308 0410 0125	1
16	M6x12 m/indv 6-KT BH f/frontwheel	9910 6126 6000 0	1
17	Axel \varnothing 22x70 f/ anti-tip W5 E300	9520 2270 0160	1
18	Footrest bushing f/ swing lock	9512 3040 0180	1
19	Locknut M6 ISO 10511 A	9206 1441 0511	1
-	M6x75 m/ins 6-KT CH DIN 912 A2	9106 7541 0912	3



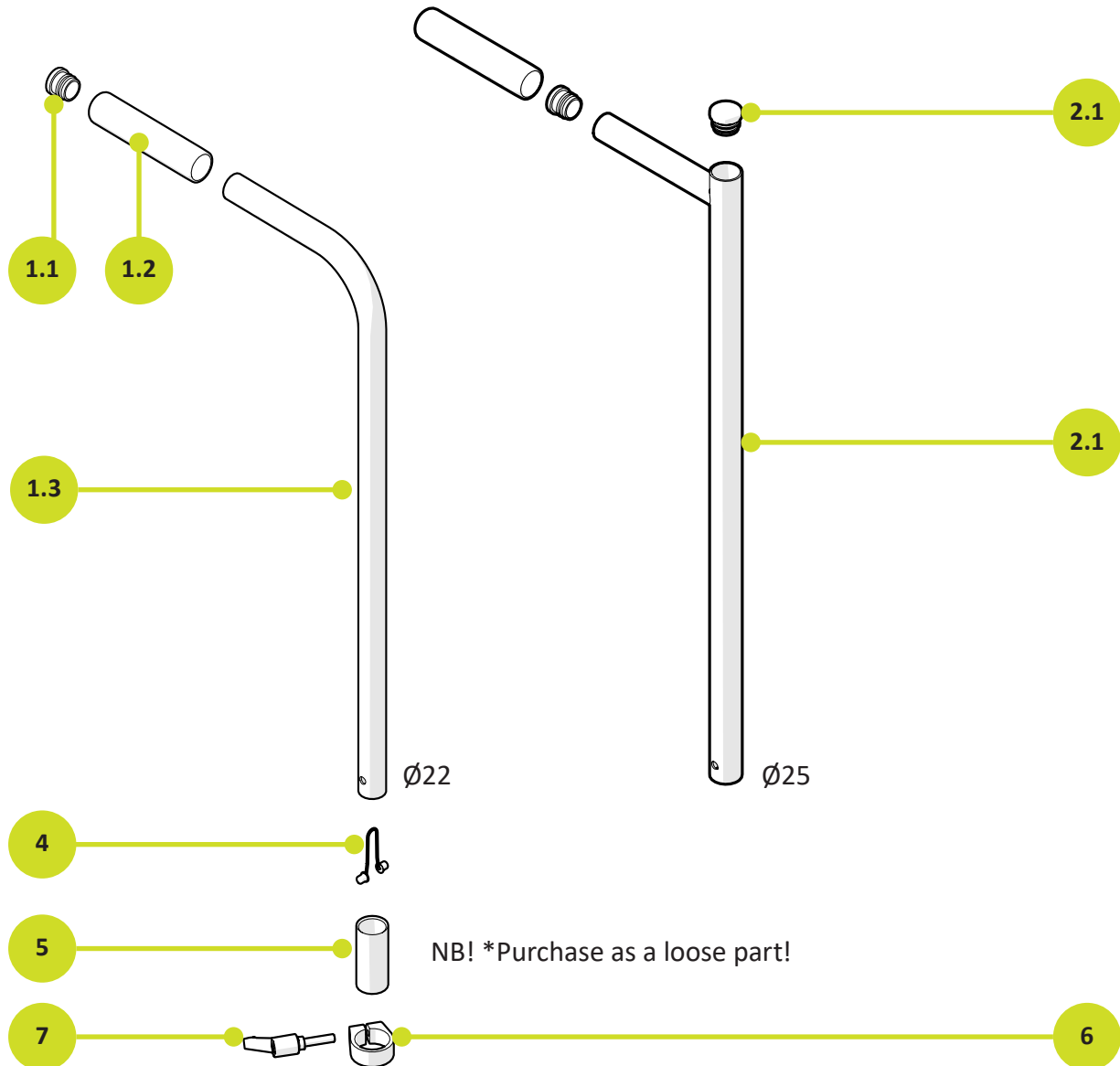
Spare part overview



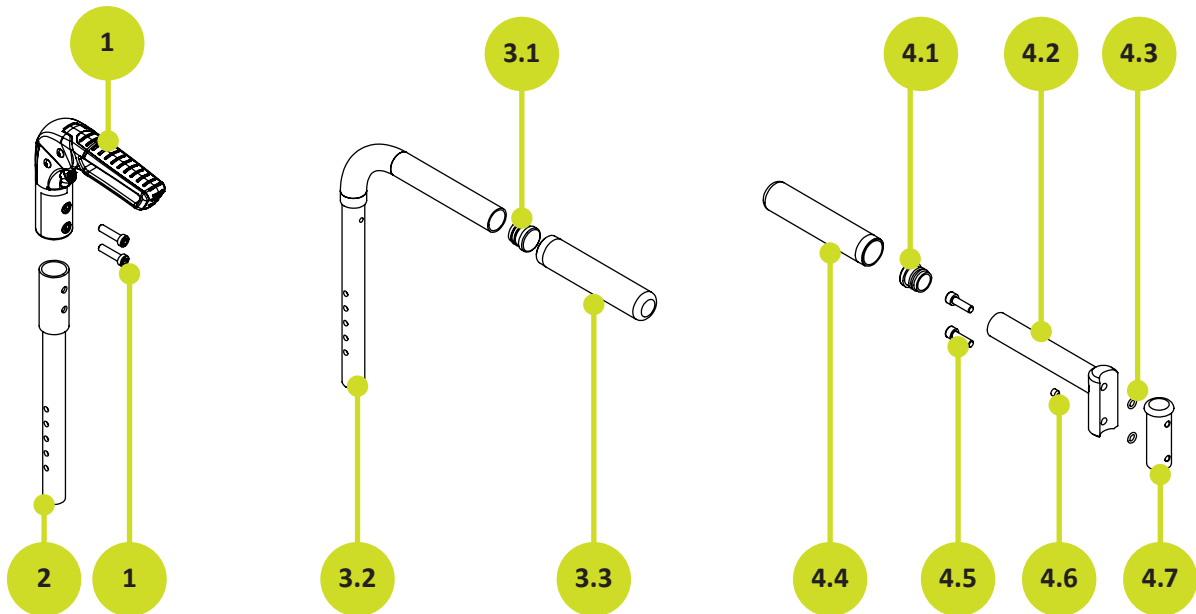
Armrest			
No.	Item Name	Stock No.	Amount
1	Armrest pad 360mm W5 displaced	9510 0008 0125	-
2	Armrest pad 270mm W5 displaced	9510 0008 0122	-
3	Armrest pad 275mm W5 long	9510 0008 0121	-
4	Armrest pad 235mm	9510 0008 0220	-
5	Armrest pad 160mm W5 short	9510 0008 0119	-
6	Armrest pad 235mm W5 displaced	9510 0008 0126	2
7	Armrest 235-270 W5 set		1
7.1	Plast prop $\varnothing 22 \times \varnothing 18 \times 19$ flat	9350 2218 1800	4
7.2	M5 x 30 m/ins 6-KT ISO 7380 A2	9105 3042 7380	2
7.3	Armrest 235-270 W5 Hs welded	9000 0000 0002	1
Att.	Armrest 235-270 W5 Vs welded	9000 0000 0003	-
8	Armrest pad Rex 310x80 (Wolturnus)	9510 0008 0128	1
9	Armrest pad Rex 260x80 (Wolturnus)	9510 0008 0127	1
10	Armrest 260-310x80 set		1
10.1	M5 x 30 m/ins 6-KT ISO 7380 A2	9105 3042 7380	2
10.2	Armrest 260-310x80 Hs welded	????	1
Alt.	Armrest 260-310x80 Vs welded	????	-
11	M5 x 12 w/ins 6-KT UH DIN 7991 A2	9105 1241 7991	2
12	Sideguard ABS f/W5-Tukan	9510 0008 1015	1
Alt.	Carbon sideguard w/mudguard set std.	9510 0008 0204	-
Alt.	Carbon sideguard without mudguard	8812 2401 1009	-



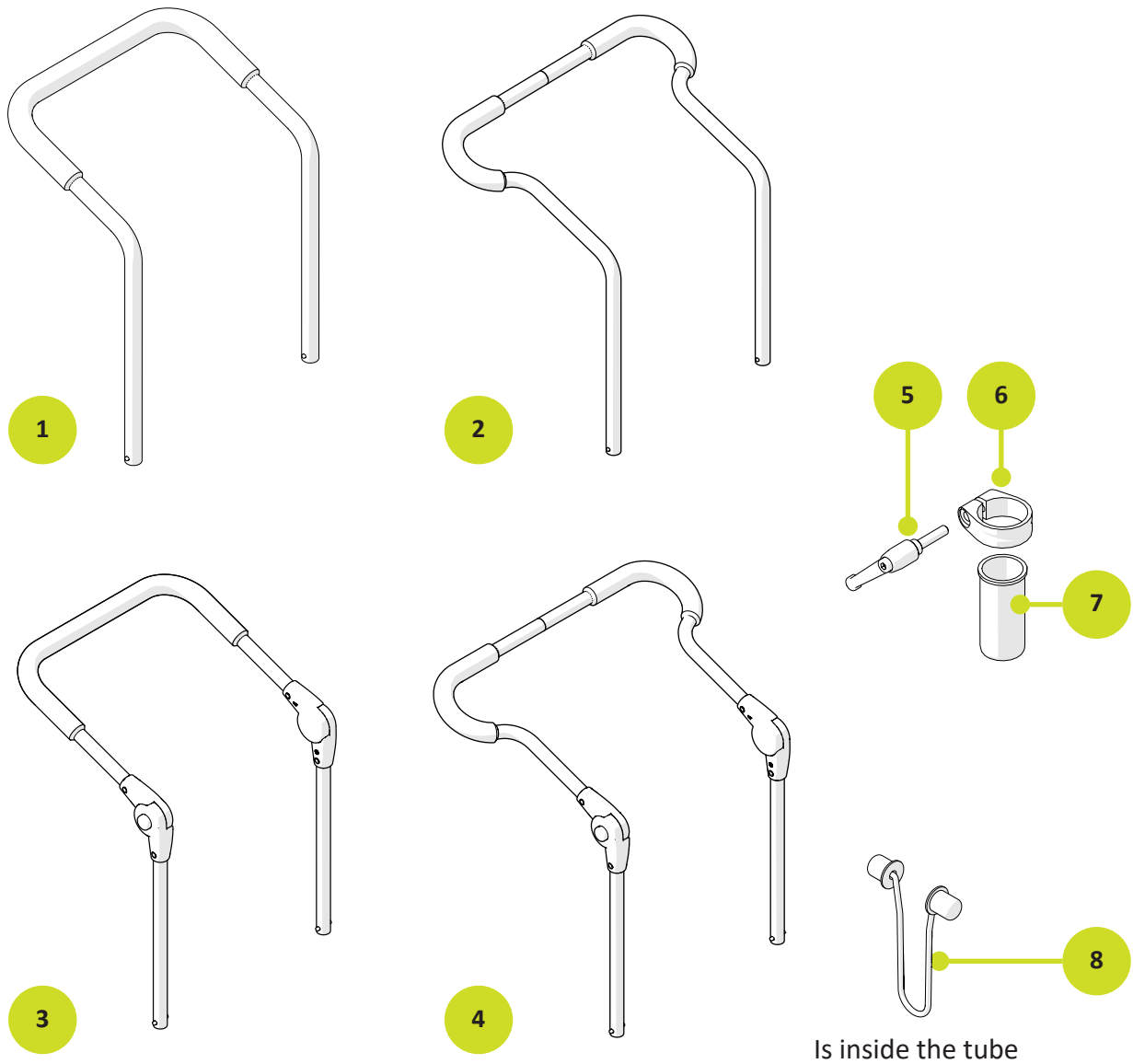
ILSA for W5			
No.	Item Name	Stock No.	Amount
1	Plast plug $\varnothing 25 \times \varnothing 17 \times 27$ kup	9350 2517 2700	2
2	ILSA tube $\varnothing 25 +70$ (1 stk.)	9511 2570 0070	2
Alt.	ILSA tube $\varnothing 25 +50$ (1 stk.)	9511 2550 0070	-
Alt.	ILSA tube $\varnothing 25 +30$ (1 stk.)	9511 2530 0070	-
Alt.	ILSA tube $\varnothing 25 +0$ (1 stk.)	9511 2500 0070	-
Alt.	ILSA tube $\varnothing 25$ custom (1 stk.)	9511 2599 0070	-
3	ILSA tube $\varnothing 19 +70$ (1 stk.)	9511 1970 0070	2
Alt.	ILSA tube $\varnothing 19 +50$ (1 stk.)	9511 1950 0070	-
Alt.	ILSA tube $\varnothing 19 +30$ (1 stk.)	9511 1930 0070	-
Alt.	ILSA tube $\varnothing 19 +0$ (1 stk.)	9511 1900 0070	-
Alt.	ILSA tube $\varnothing 19$ custom (1 stk.)	9511 1999 0070	-
4	Clamp f/ $\varnothing 30.8$ r \varnothing r	9540 3080 0000	2
5	M6x25 m/ins 6-KT CH DIN 912 A2	9106 2541 0912	2
6	Shim $\varnothing 27,3 - \varnothing 25,1 - 60$	9510 3058 0160	2

Spare part overview


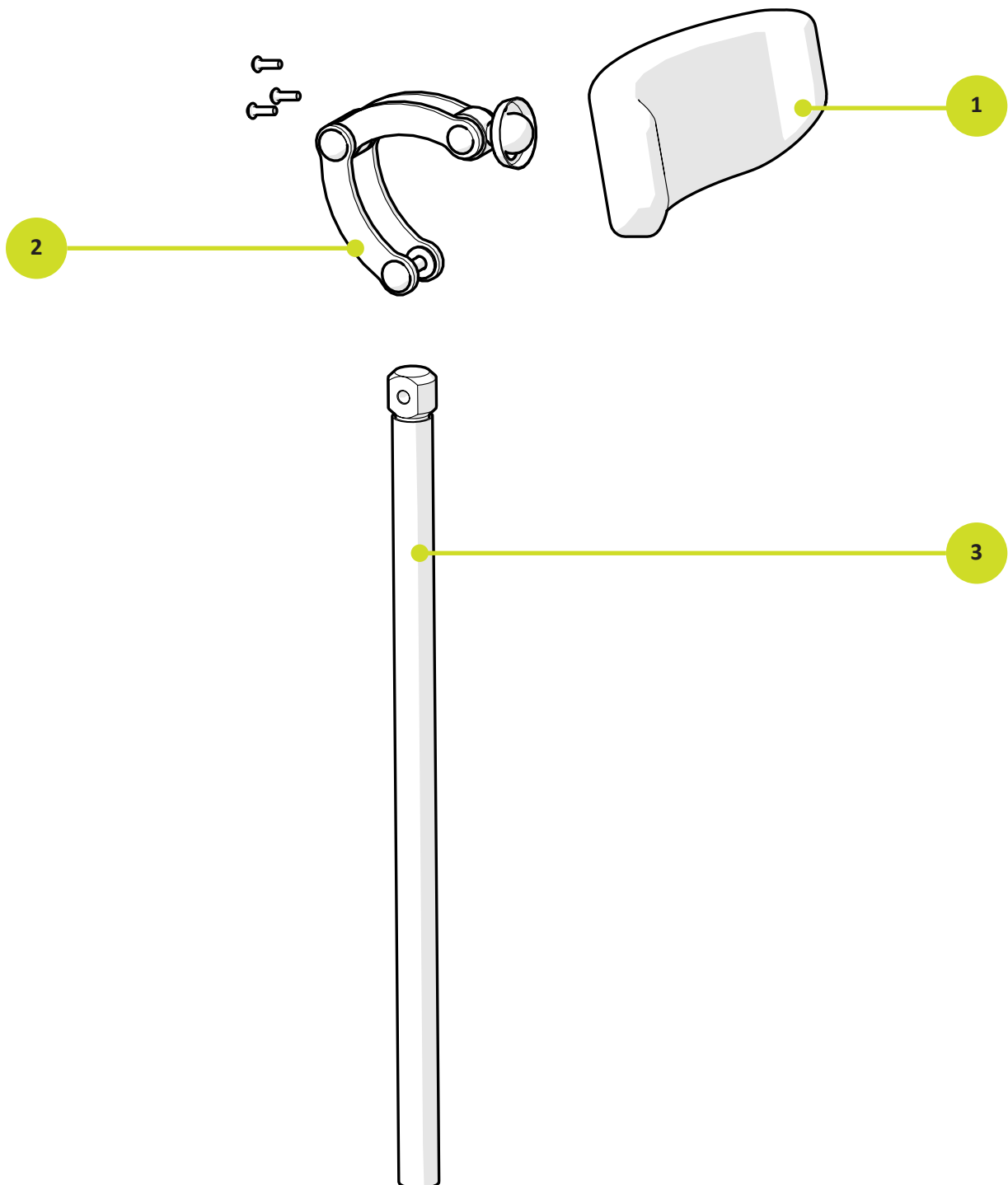
Pushhandles			
No.	Item Name	Stock No.	Amount
1	Pushhandle Ø22 adjustable	9510 0008 0005	1
1.1	Plastic plug Ø22xØ18x19 flat	9350 2218 1800	1
1.2	Neoprene padding pushhandle	9420 0020 0001	1
1.3	Tube f/ s handle Ø22 adjustable	9722 0261 6070	1
2	Pushhandle Ø25 adjustable	9510 0008 0006	1
2.1	Plastic plug Ø25xØ19x17 flat	9350 2519 1700	-
2.2	Tube f/ s handle Ø25 adjustable	9725 0261 6070	-
4	Feather locks for push handles	9511 0001 0120	1
5	Bushing f/ Ø22 pushhandle POM	9510 6028 0080	1*
6	Clamp Ø28	9540 0000 0011	1*
7	Fasten handle with thread pin M6x25mm	9110 0625 0010	1*



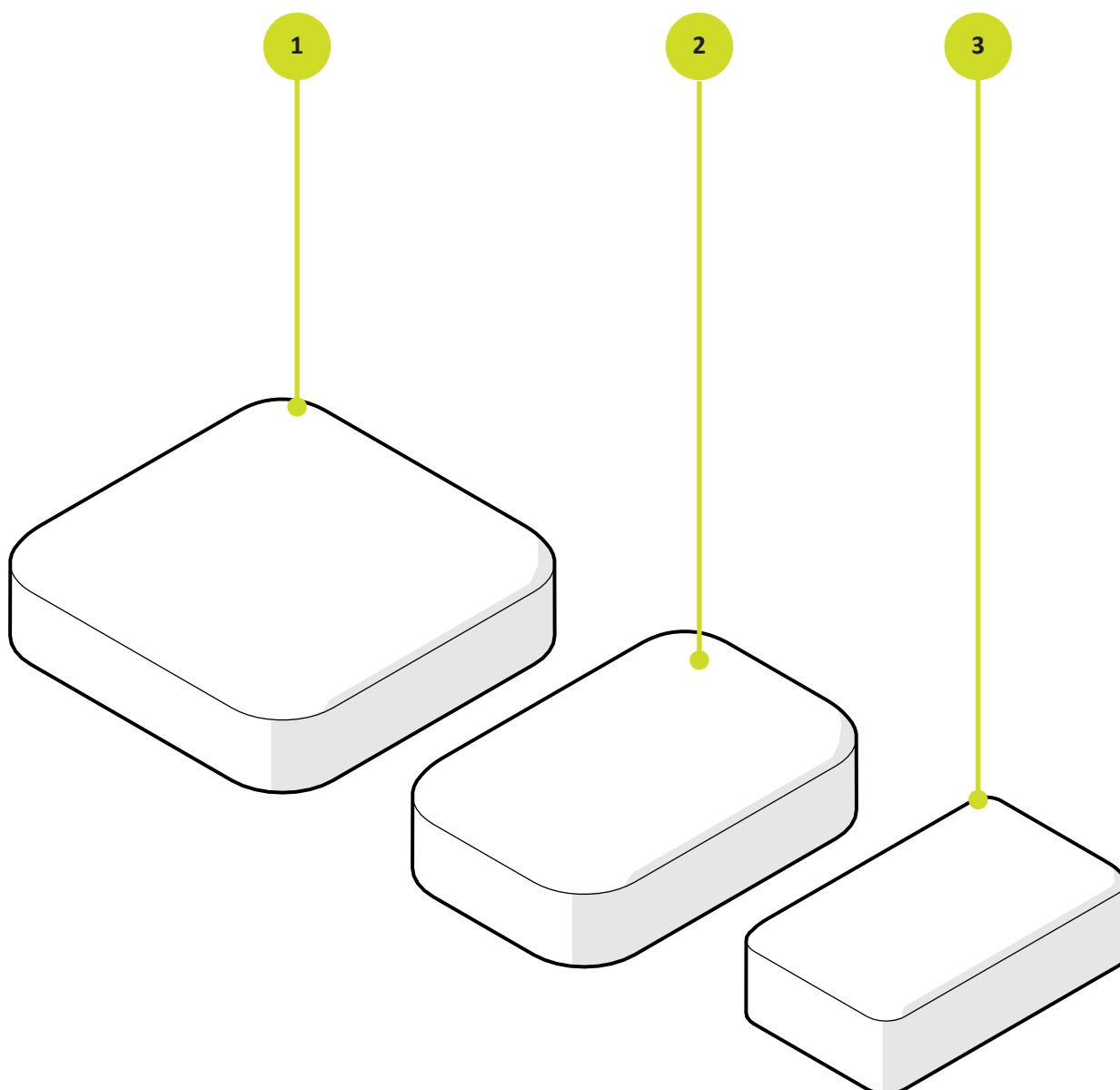
Pushhandles			
No.	Item Name	Stock No.	Amount
1	Pushhandle set OB, Ø25mm tube (w/ screw)	9000 0000 0094	1
2	Adjustable OB handle in backrest set	8852 0004 3100	1
3	Height adjustable Tetra handles	885200042270	1
3.1	Flat plastic plug Ø22xØ18x19	9350 2218 1800	2
3.2	Height adjustable tetra handle stem	8852 0004 2270	2
3.3	Tetra Rubber	9400 0020 0001	2
4	Screwed on Tetra Handle set	951000080003	1
4.1	Flat plastic plug Ø22xØ18x19	9350 2218 1800	2
4.2	Tetra push handle tube Ø22	9722 1512 0011	2
4.3	O-ring Din 3771 - 6 x 1,8mm	9250 6021 3771	4
4.4	Tetra Rubber	9400 0020 0001	2
4.5	DIN 912 M6 x 20 --- 20N	911006200520	4
4.6	Socket screw cup point		2
4.7	Plug for push handle Ø20,6x60	9510 0009 0260	2



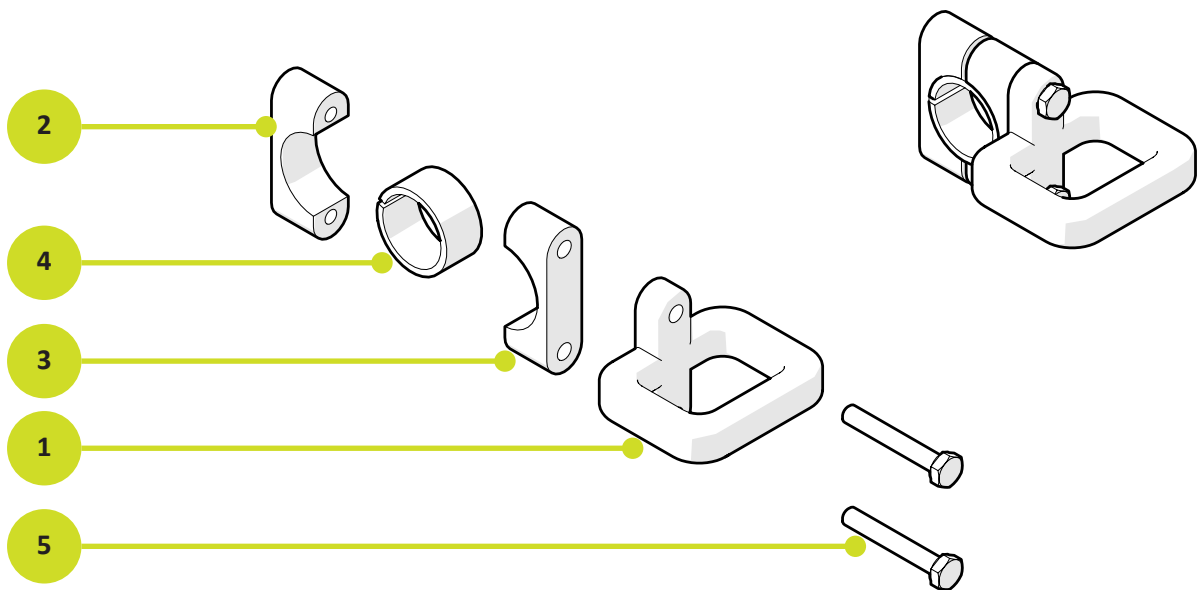
Push bar with/ neopren			
No.	Item Name	Stock No.	Amount
1	Pushbar straight - Fixed Ø25 complete	8852 0003 1007	1
2	Pushbar curved - Fixed Ø25 complete	8852 0003 1009	-
3	Pushbar straight - Foldable Ø22 complete	8852 0003 1008	-
4	Pushbar curved - Foldable Ø22 complete	8852 0003 1010	-
1	Pushbar straight w/neoprene - Fixed Ø25	9510 0008 0013	1
2	Pushbar curved w/neoprene - Fixed Ø25	9510 0008 0014	-
3	Pushbar straight w/neoprene - Foldable Ø22	9510 0008 0011	-
4	Pushbar curved w/neoprene - Foldable Ø22	9510 0008 0012	-
5	Fasten handle with thread pin M6x25mm	9110 0625 0010	2
6	Clamp for Ø30,8 tube	9540 3080 0000	2
7	Shim Ø27,4 - Ø25 - 60	9510 3058 0160	2
8	Feather locks for push handles	9511 0001 0120	2



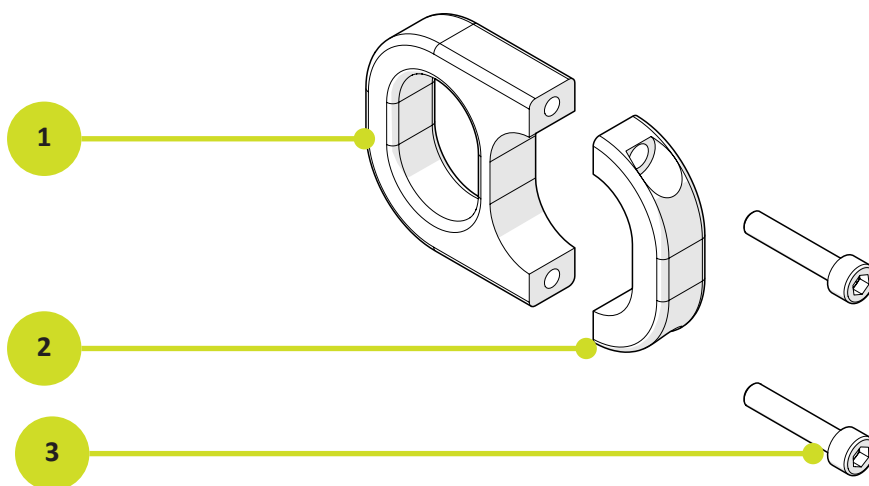
Headrest			
No.	Item Name	Stock No.	Amount
	Head rest with cushion curved, small model	8841 0000 1021	1
1	Headrest cushion, curved oval, small	9510 0008 0130	1
Alt.	Headrest cushion, curved oval, big	9510 0008 0131	-
Alt.	Headrest cushion, square, small	9510 0008 0141	-
Alt.	Headrest cushion, square, big	9510 0008 0142	-
2	Bracket for headrest, banana shape	9510 2599 0060	1
3	Headrest tube with top bracket	8841 0001 4101	1



Body Support Pillows			
No.	Item Name	Stock No.	Amount
1	Cushion for body support, big 12 x 12 cm	8840 1010 1012	-
2	Cushion for body support, medium 8 x 12 cm	8840 1010 1011	-
3	Cushion for body support, small 6 x 10 cm	8840 1010 1010	-


4-Point car fastening

No.	Item Name	Stock No.	Amount
	Vehicle securement (4-point strap)	8870 0020 0001	
1	Console f/ 4-point strap W5-Tukan	9510 6053 0160	2
2	Mounting block f/ 4-point strap with M6	9510 5315 0160	2
3	Mounting block f/ 4-point strap with Ø6	9510 5315 0260	2
4	Bushing Ø30/25 f/ 4-point strap	9510 3015 0080	2
5	M6x40 ISO 4014 A2	9110 0640 0120	4


Oval 4-Point cat fastening

No.	Item Name	Stock No.	Amount
	2/4-point strap, top + bottom	8870 0020 0003	1
1	4-point strap, top f/ 27x39	9510 5915 0160	2
2	4-point strap, bottom f/ 27x39	9510 5915 0260	2
3	M6x25 m/ins 6-KT CH DIN 912 A2	9106 2541 0912	4



WOLTURNUS

Kundeservice/Customer Service

Wolturnus A/S
Skalhuse 31
9240 Nibe

Telefon: +45 96 71 71 70
www.wolturnus.com
Mail: info@wolturnus.dk

Produktion/Production

Wolturnus A/S
Halkjærvej 24B
9240 Nibe