



WOLTURNUS



SPARE PART CATALOGUE FOR MERLIN

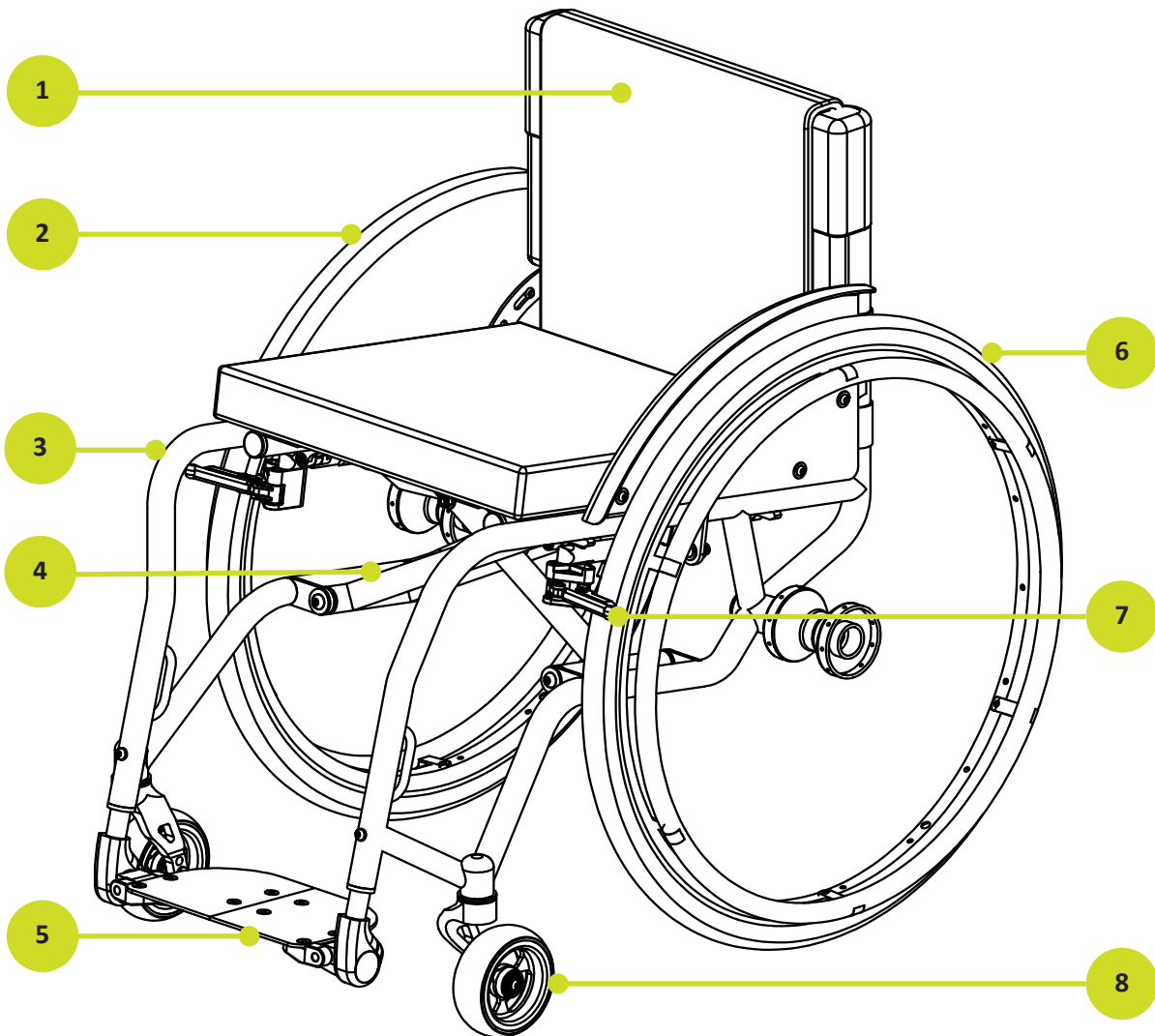


Wolturnus A/S - 2020

Table of contents

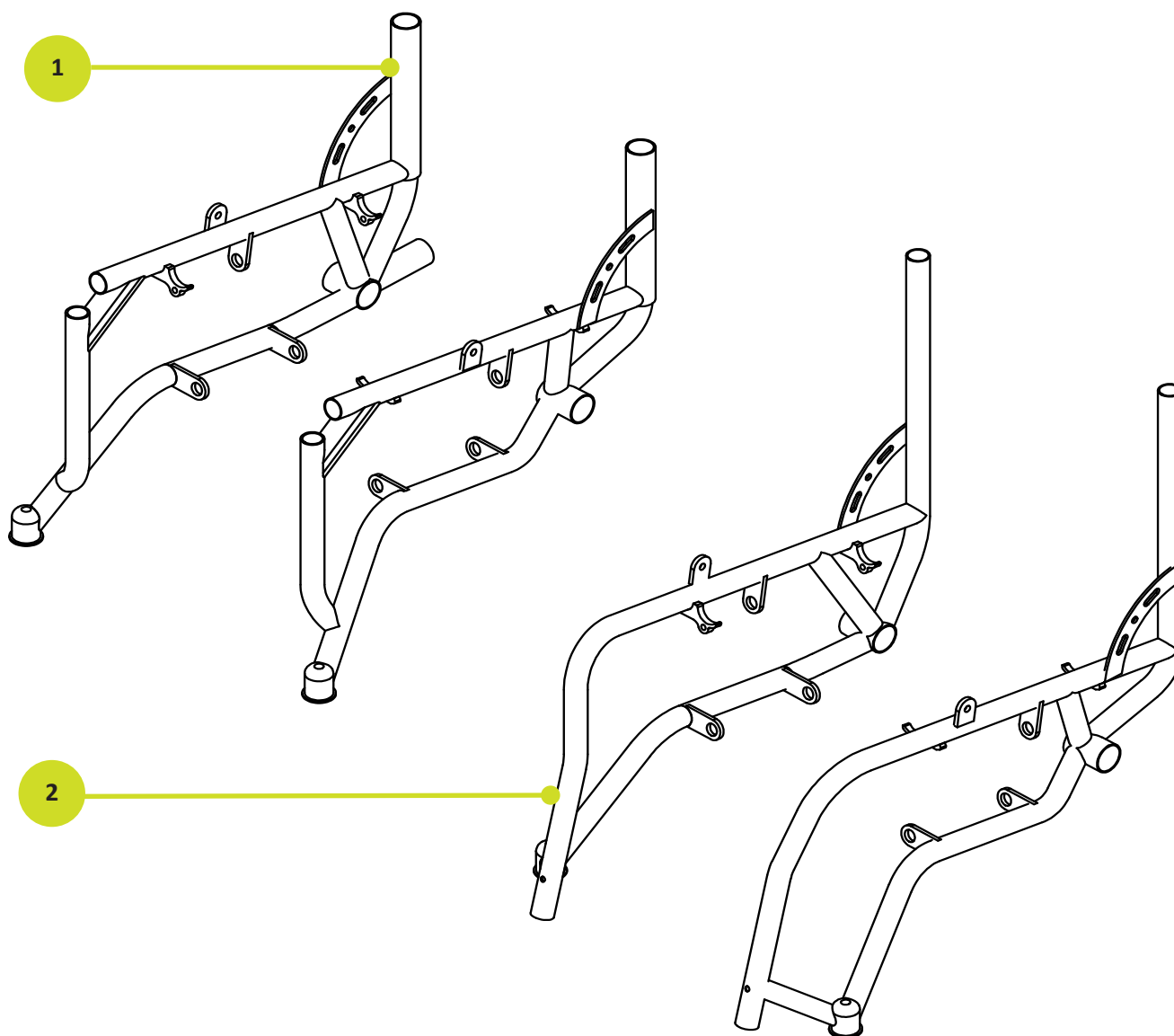
Complete Wheelchair.....	3
Frame	4
Frame & Drivewheels	5
Folding Cross	6
Footrest.....	8
Footrest Model D	9
Brakes.....	10
Sideguards.....	11
Anti-tip	12
ILSA	14
Push Handles.....	15
Casters	17
Upholstery.....	18

Spare Part Overview

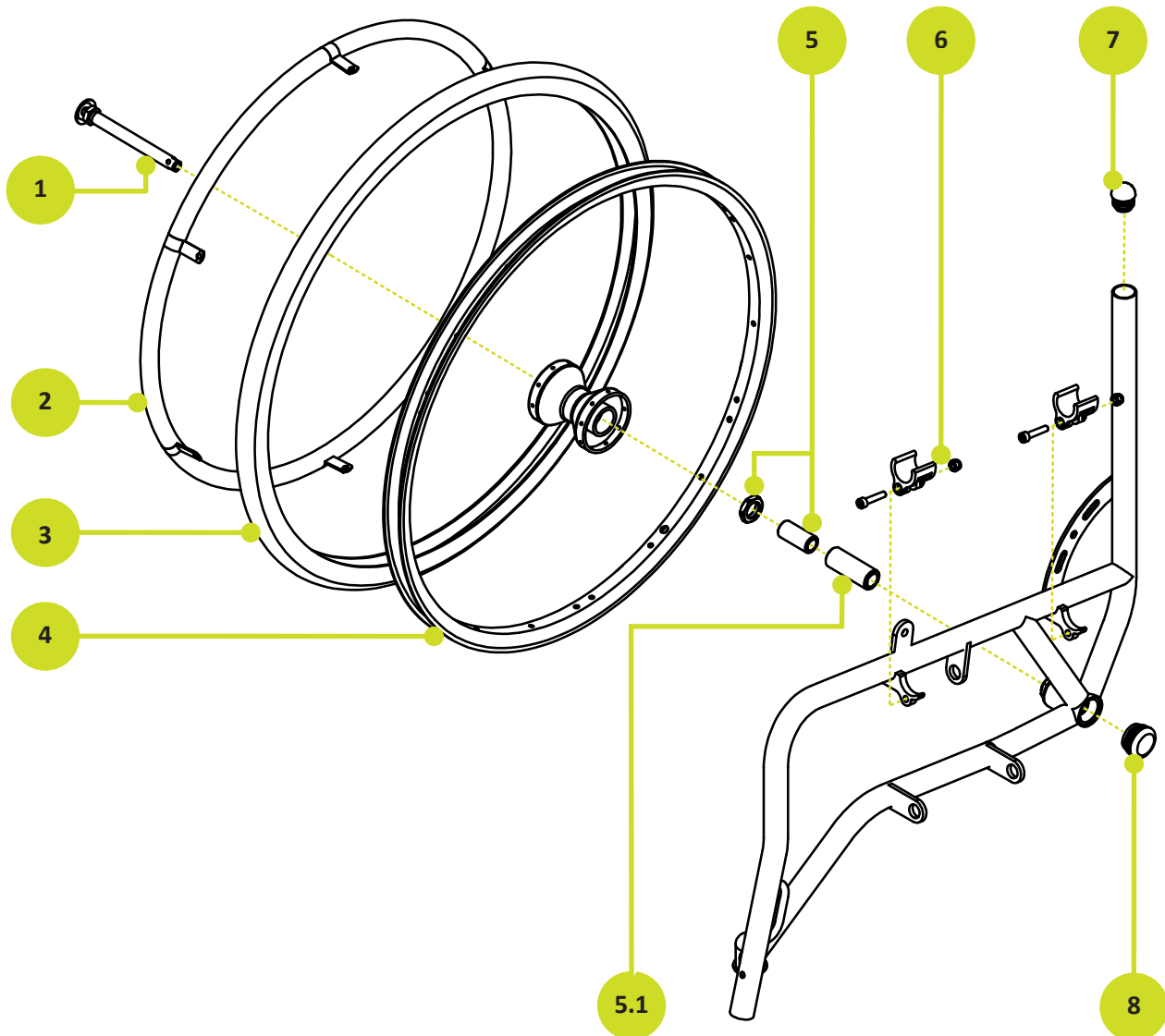


Complete Wheelchair		
No.	Item Name	Page
1	Upholstery	18
2	Sideguards	11
3	Frame	4
4	Folding Cross	6
5	Footrest	8
6	Drive Wheels	5
7	Brakes	10
8	Casters	17

Info Spareparts written in italic cannot be brought seperatly unless the name contains the following symbol "*"

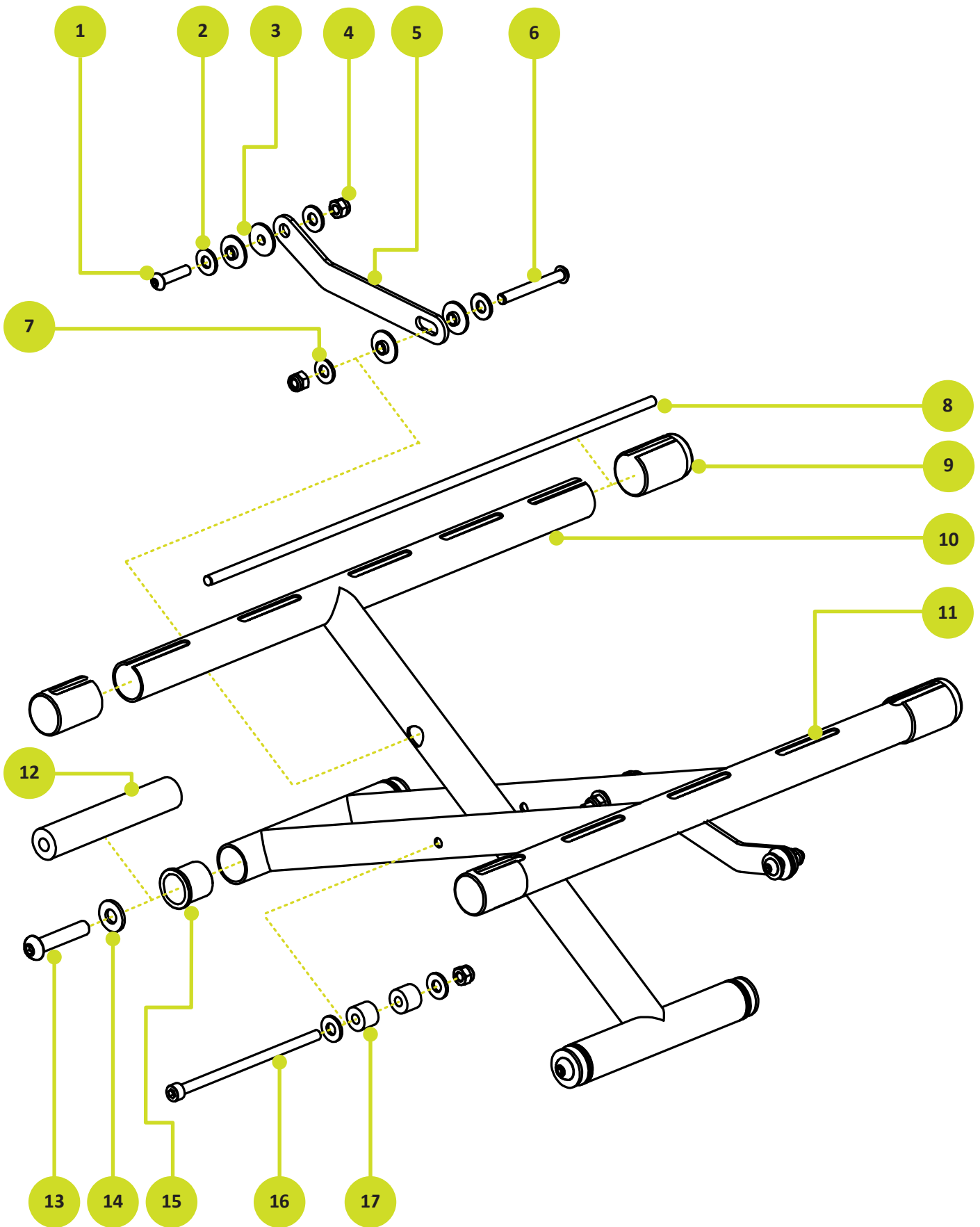


Frame			
No.	Item Name	Stock No.	Amount
1	Merlin D Frame		1
2	Std. Merlin Frame		1


Frame and drive wheels

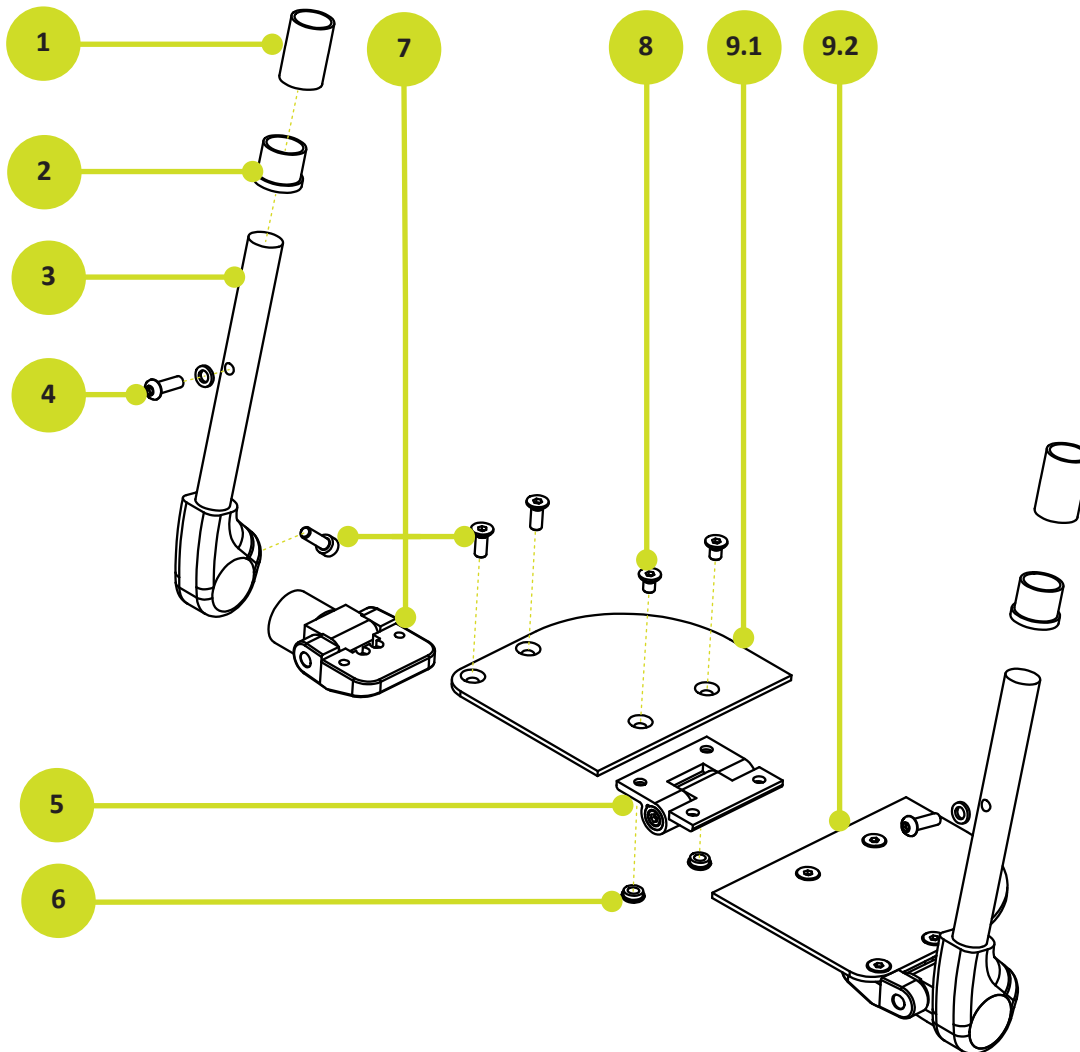
No.	Item Name	Stock No.	Amount
1	Quick Release Axle	9530 0??? 0020	2
2	Push rim (several options)	-	2
3	Tire (several options)	-	2
4	Drive wheel (several options)	-	2
5	Axle bushing set	9000 0000 0008	1
	<i>Nut for Rear Axle Bushing</i>	9310 2301 0120	2
	<i>Thread bushing for Rear axle</i>	9530 1850 0109	2
5.1	<i>Rear Axle Bushing Ø31,5x50 f/ fixed rear axle</i>	9530 345 00160	2
6	Merlin Cross clamp	9570 0005 0190	4
	<i>M6x25 w/ins 6-KT CH DIN 912 A2</i>	9106 2541 0912	4
	<i>Lock nut M6 ISO 10511 A2</i>	9206 1441 0511	4
7	<i>Plast plug Ø25xØ17x27 kup</i>	9350 2517 2700	2
8	<i>Plast plug Ø35xØ29X20 flat</i>	9350 3529 2000	2

Spare part overview

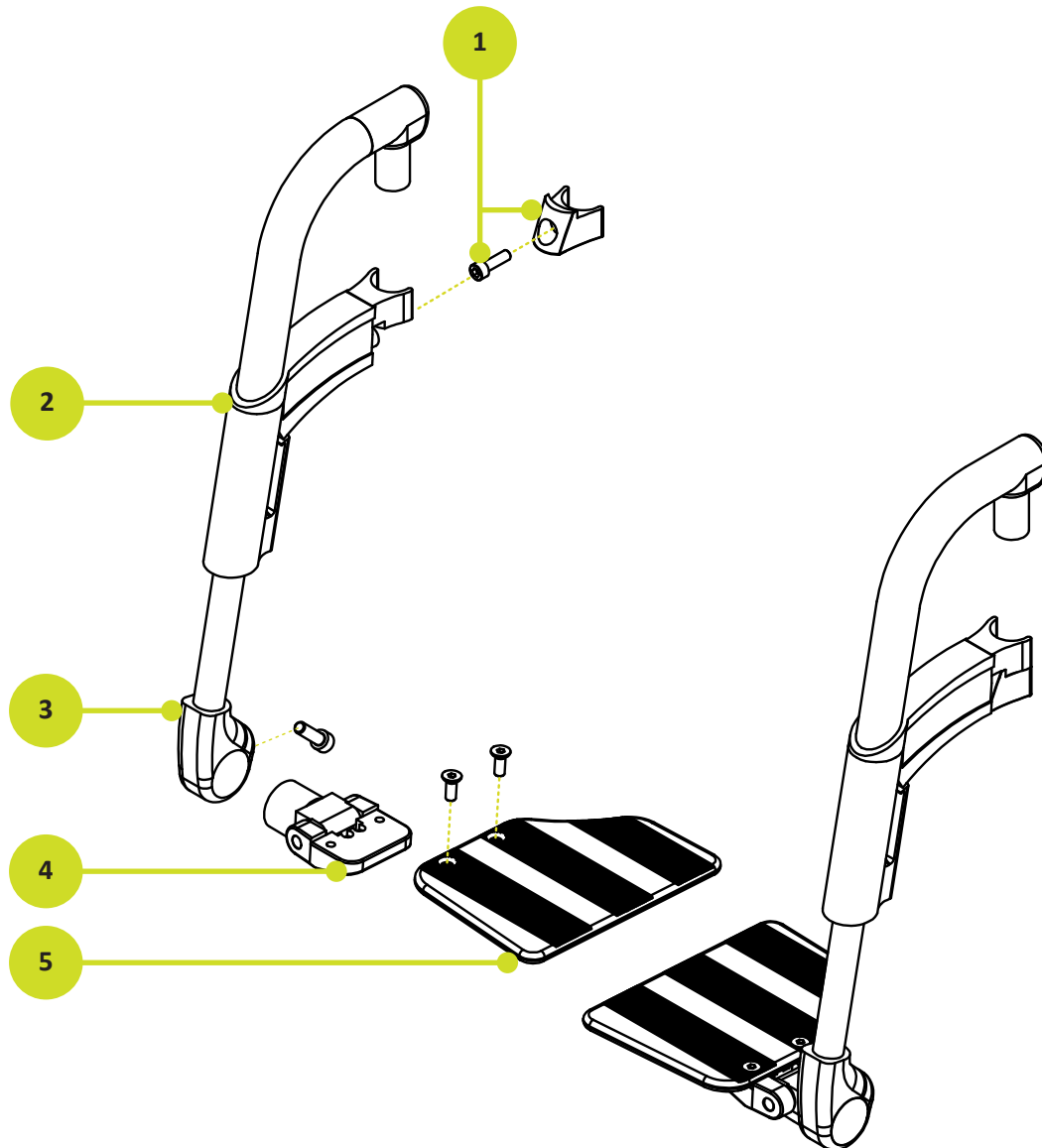


Folding Cross			
No.	Item Name	Stock No.	Amount
(1-17)	Folding Cross	1710 0000 10SW	1
1	M6x20 w/ins 6-KT BH DIN 7380 A2	9106 2042 7380	2
2	Washer Ø6,4 DIN 9021 A2	9305 6418 9021	8
3	POM Bushing Ø22x1,5	9510 2004 0180	8
4	Lock nut M6 ISO 10511 A2	9206 1441 0511	5
5	Limiting arm f/ Folding Chair (SW)	9570 01SW 0060	2
6	M6x50 w/ins 6-KT BH ISO 7380 A2	9106 5042 7380	2
7	Washer Ø6.4 DIN 125 - A A2	9306 0410 0125	2
8	Seat tube rod for Merlin upholstery	???? ???? ???? ?	2
9	Merlin seat tube plug	9570 2925 0060	4
incl.	M5x10 BH w/ins 6-KT BH ISO 7380 A2	9105 1042 7380	4
10	Single cross	9570 SW01 0070	1
11	Double cross	9570 SW02 0070	1
12	Axle f/ cross Merlin	9570 0004 0082	2
13	M8x25 BH w/ins 6-KT BH ISO 7380 A2	9108 2541 7380	4
14	Washer Ø8,4 DIN 9021 A2	9308 0410 9021	4
15	POM bushing w/ flange Ø22,5	9510 2521 0280	4
16	M6x120 CH	9106 9941 2912	1
17	POM distance bushing f/ Merlin cross	9570 1506 0180	2

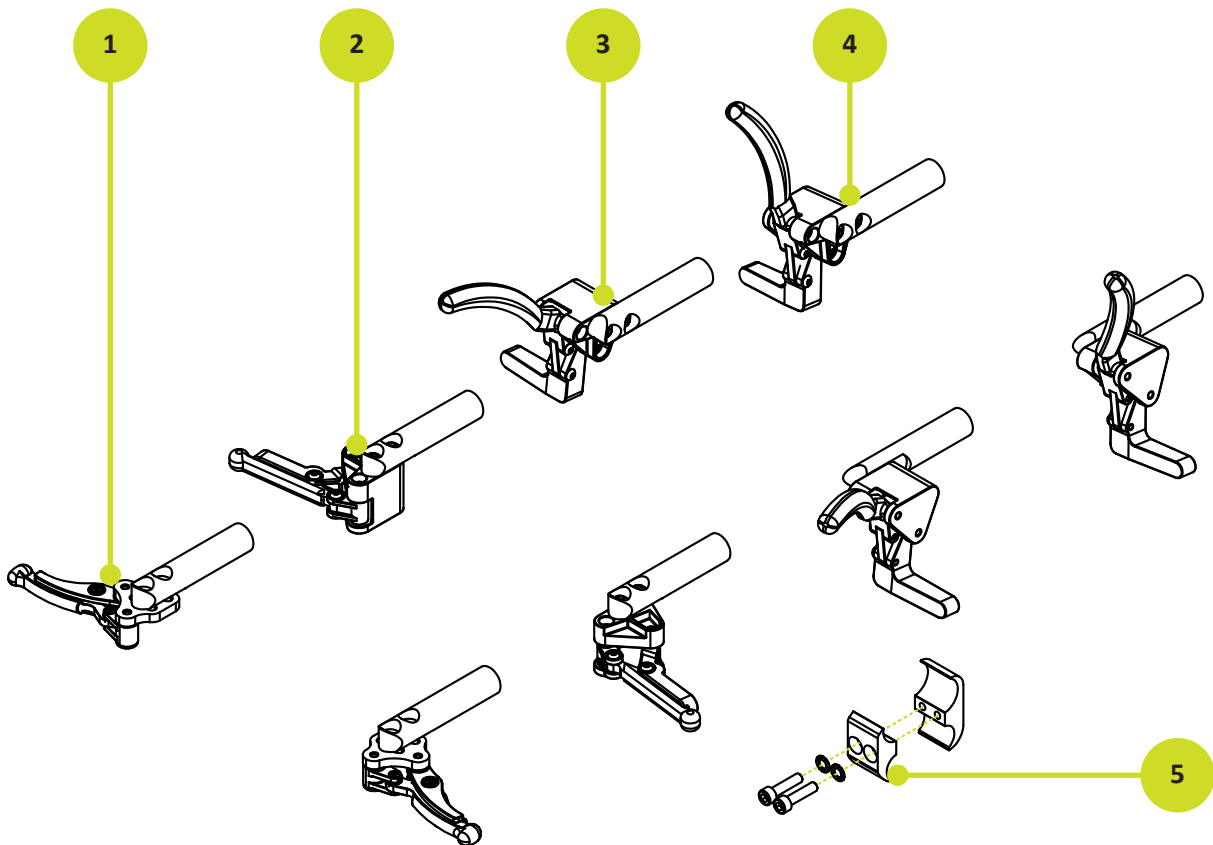
Spare part overview



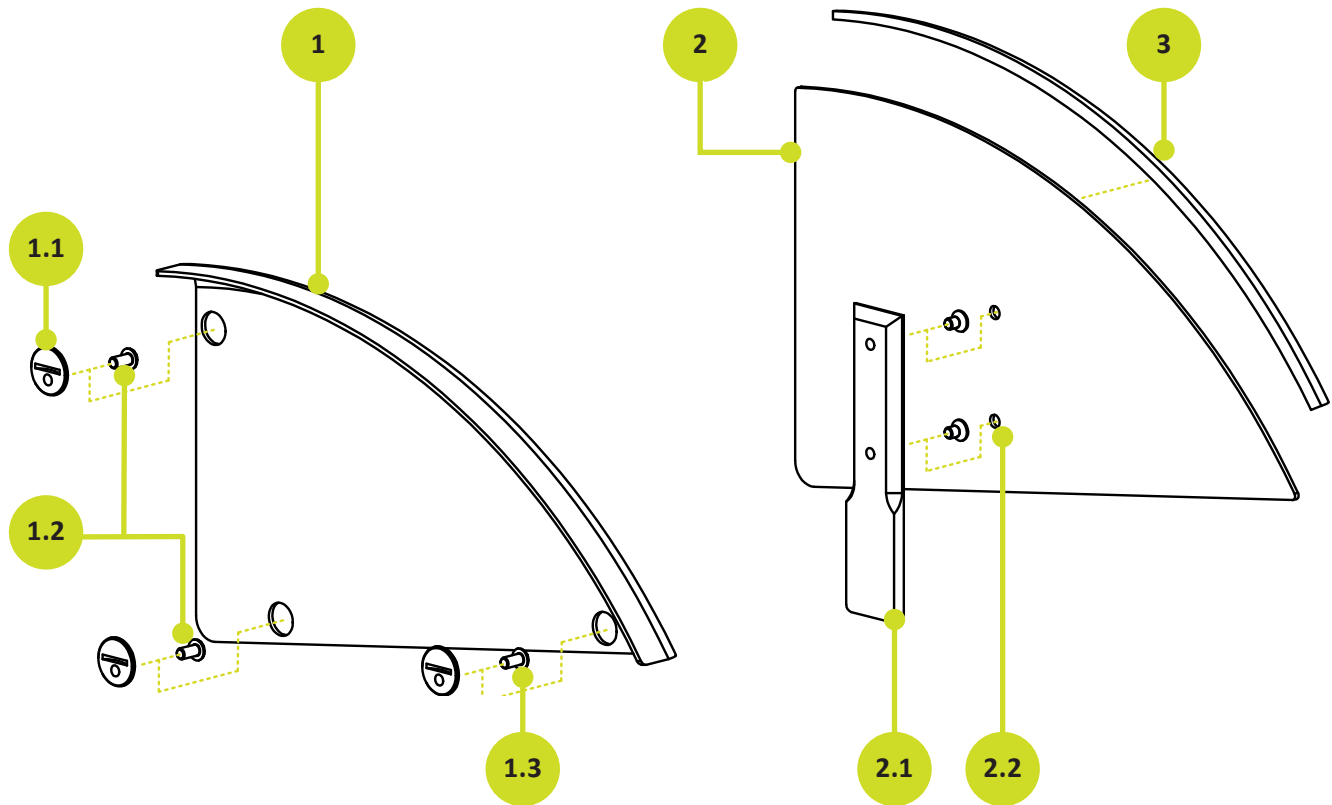
Footrest			
No.	Item Name	Stock No.	Amount
(1-8)	Complete foot rest f/ folding foot plate (1-8)	8299 9901 0021	1
1	Bushing plastic wo/ flange footrest $\varnothing 21,3 \times \varnothing 18$	9510 2322 0480	2
2	Bushing plastic w/ flange footrest $\varnothing 21,3 \times \varnothing 18$	9510 2521 0480	2
3	Ottobock Folding footrest	8400 0020 1192	2
4	M5x16mm w/ ins 6-KT BH ISO 7380 A2	9105 1642 7380	2
	Washer $\varnothing 5,3$ DIN 433 A2	9305 0410 0433	2
5	Hinge set alu f/ footrest	8000 6555 0150	1
6	Nut M6 ISO 4032 A2	9206 1241 4032	2
7	Holder f/ footplate	8400 0030 0011	2
incl.	M6x20 w/ ins 6-KT CH DIN 912 A2	9106 2041 0912	2
incl.	M6x16 w/ ins 6-KT UH DIN 7991 A2	9106 1641 7991	4
8	M6x10 w/ ins 6-KT UH DIN 7991 A2	9106 1041 7991	4
9	Merlin Footplate std. (set)	8000 OFF3 0160	1
9.1	Merlin Footplate (Right side)	8000 OFF1 0160	1
9.2	Merlin Footplate (Left side)	8000 OFF2 0160	1



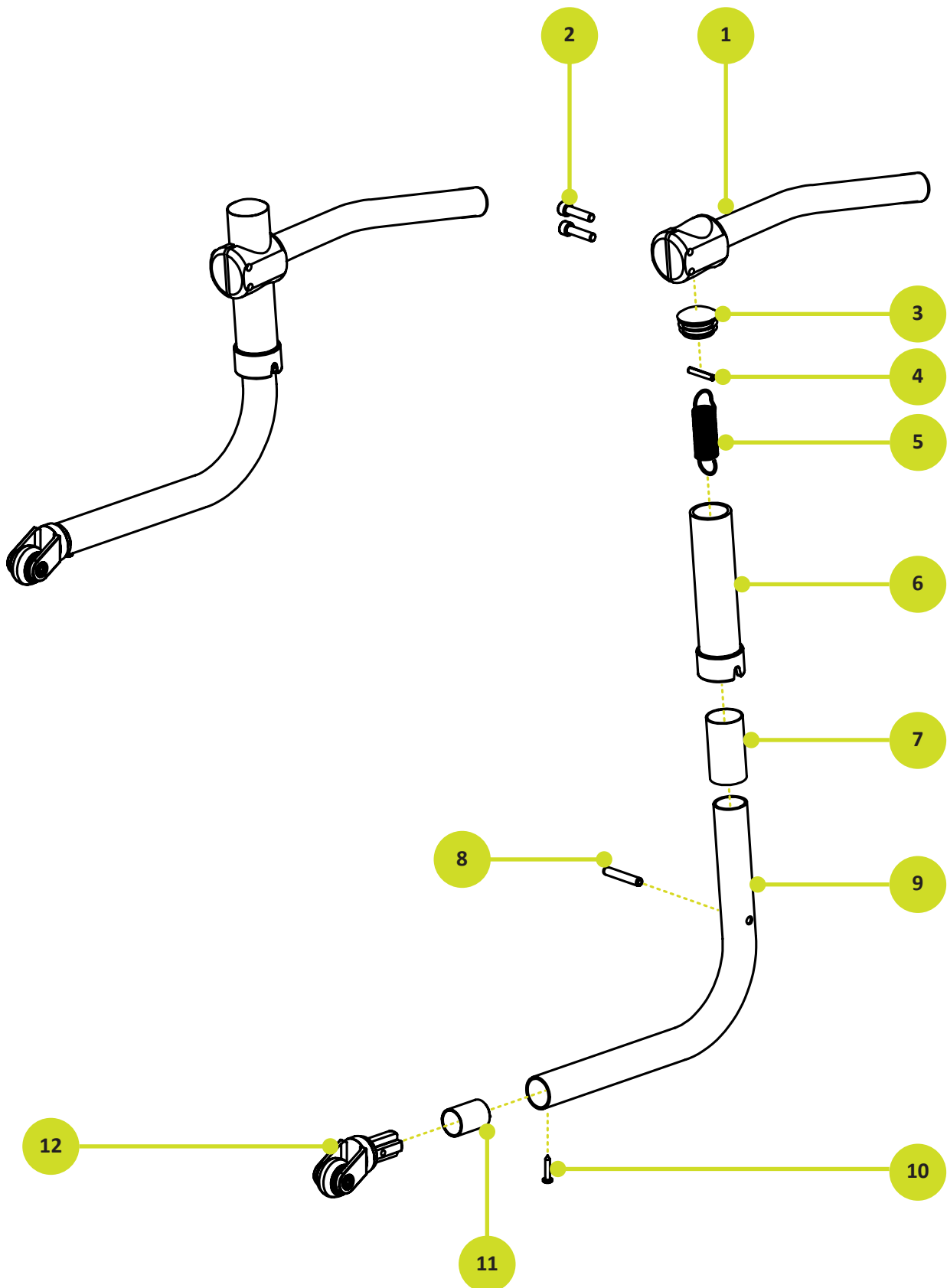
Footrest - Model D			
No.	Item Name	Stock No.	Amount
(2-4)	Complete swing away foot rest f/ folding foot plate	8299 9901 0018	2
(2-4)	Complete swing away foot rest f/ folding foot plate - UV	8299 9901 0023	
1	Footrest anchor	8400 0021 5706	2
	M6x20 w/ ins 6-KT CH DIN 912 A2	9106 2041 0912	2
2	OB swivelling foot rest (right)	8400 0021 5232	1
	OB swivelling foot rest (left)	8400 0021 5231	1
alt.	OB swivelling foot rest (right) - UV front frame	???? ???? ????	-
alt.	OB swivelling foot rest (left) - UV front frame	???? ???? ????	-
3	Ottobock Folding footrest	8400 0021 5918	2
4	Holder f/ footplate	8400 0030 0010	2
incl.	M6x20 2/ ins 6-KT CH DIN 912 A2	9106 2041 0912	2
incl.	M6x16 w/ ins 6-KT UH DIN 7991 A2	9106 1641 7991	4
5	Foot plate (set of left and right)	8400 0020 11??	1



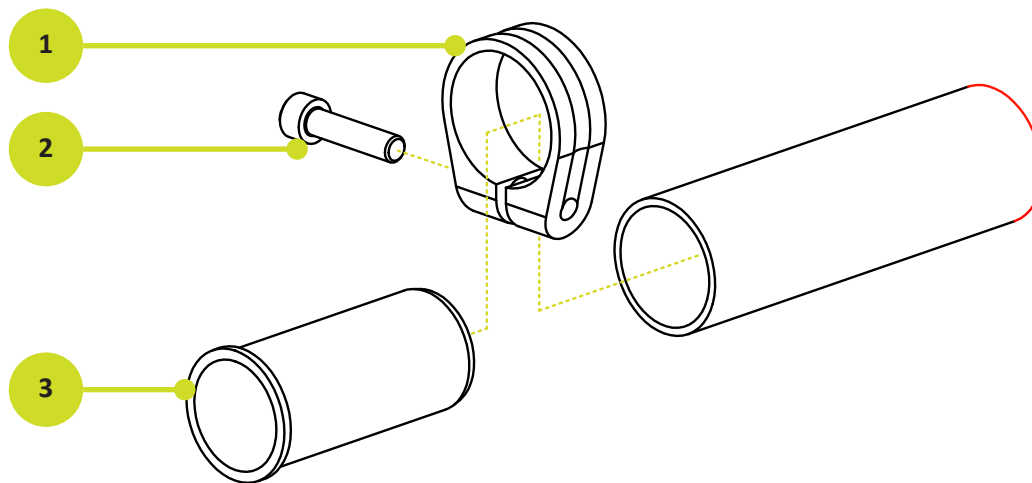
Brakes			
No.	Item Name	Stock No.	Amount
1	Sport Scissor Wheel-locks (Plastic Fibre)	8851 1020 1209	2
2	Scissor Wheel-Locks (Plastic Fibre)	8851 1020 1109	-
3	Push-Action Wheel-Locks (Plastic Fibre)	8851 1010 1101	-
4	Pull-Action Wheel-Locks (Plastic Fibre)	8851 1011 1101	-
	Extension handles for wheel-locks	88511012 2002	-
5	Clamp Ø19/Ø25 (set)	9515 0002 0009	2



Sideguards			
No.	Item Name	Stock No.	Amount
1	Aluminium Sideguard w/mudguard -screwed	8810 0050 0102	1
alt.	Carbon Sideguard w/mudguard - screwed	8810 0030 0102	-
alt.	Aluminium Sideguard wo/mudguard - screwed	8810 0040 0102	-
alt.	Carbon Sideguards wo/mudguard - screwed	8810 0020 0102	-
alt.	Dibond Sideguards wo/mudguard - screwed	8810 0010 0102	-
1.1	Sideguard adapter f/screwed on sideguards	8812 2216 0060	6
1.2	M6x10 BH w/ ins 6-KT ISO 7380 A2	9106 1042 7380	4
alt.	M6x12 BH w/ ins 6-KT ISO 7380 A2 (dibond)	9106 1242 7380	-
1.3	M6x12 BH w/ ins 6-KT ISO 7380 A2	9106 1242 7380	2
alt.	M6x16 BH w/ ins 6-KT ISO 7380 A2 (dibond)	9106 1642 7380	-
2	Aluminium Sideguard w/mudguard - lift-off	8810 0050 0103	1
alt.	Carbon Sideguard w/mudguards - lift-off	8810 0030 0003	-
alt.	Aluminium Sideguard wo/mudguard - lift-off	8810 0040 0103	-
alt.	Carbon Sideguard wo/mudguard - lift-off	8810 0020 0003	-
alt.	Dibond Sideguard wo/mudguard - lift-off	8810 0010 0103	-
2.1	Baluster f/ lift-off sideguards	9510 9930 0160	2
2.2	M6x8 BH w/ ins 6-KT ISO 7380 A2	9106 0842 7380	4
alt.	M6x8 UH w/ins 6-KT UH DIN 7991 A2 (dibond)	9106 0841 7991	-
3	Rubber rail (included when no mudguard)	9200 0000 0200	2



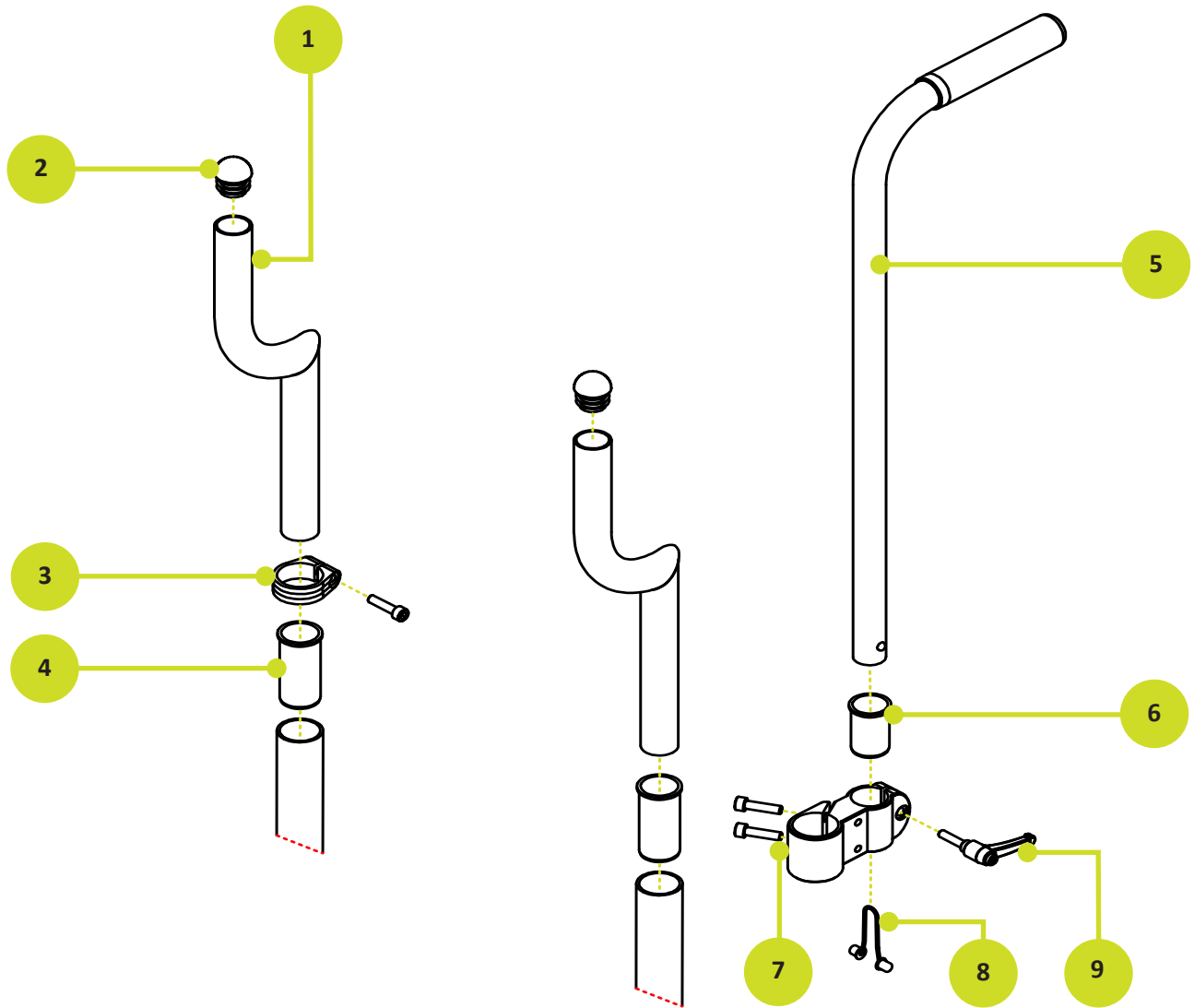
Anti-tip			
No.	Item Name	Stock No.	Amount
(1-12)	Anti tip Merlin	8861 1010 1321	1
1	Bracket for anti-tip Ø30.8 std.	9000 0000 0006	1
2	M6x25 m/ins 6-KT CH DIN 912 A2	9106 2541 0912	2
3	Plast plug Ø30xØ23x19 Curved	9350 3023 1900	1
4	Spring pin Ø4x25 ISO 8752	9120 0425 0120	1
5	Extension spring 1,6x17x22x64 f/ anti-tip	9200 0000 0100	1
6	Guide bush for anti-tip Ø30.8	9725 9935 0160	1
7	POM bushing f/anti tip	9510 5027 0180	1
8	Spring pin Ø6x36 ISO 8752	9120 0636 0120	1
9	Tube long f/anti-tip	9725 0232 3070	1
10	M3.5x19 ISO 15481	9103 3519 7504	1
11	POM bushing f/anti tip wheel	9510 3021 0180	1
12	Wheel f/anti tip -set	9664 0030 0001	1



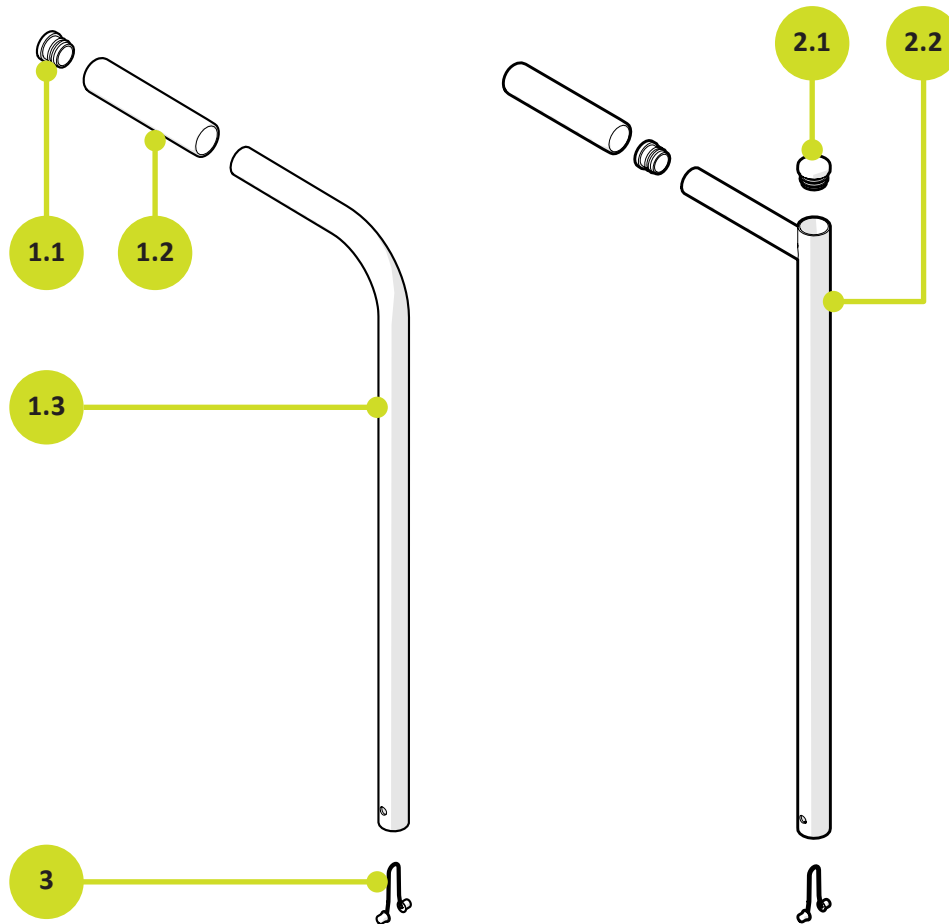
Anti-tip fitting			
No.	Item Name	Stock No.	Amount
(1-3)	Fitting for antitip	9000 0300 0120	1
1	Clamp f/ Ø30.8 tube	9540 3080 0000	1
2	M6x25 m/ins 6-KT CH DIN 912 A2	9106 2541 0912	1
3	Shim Ø27,3 - Ø25,1 - 60	9510 3058 0160	1



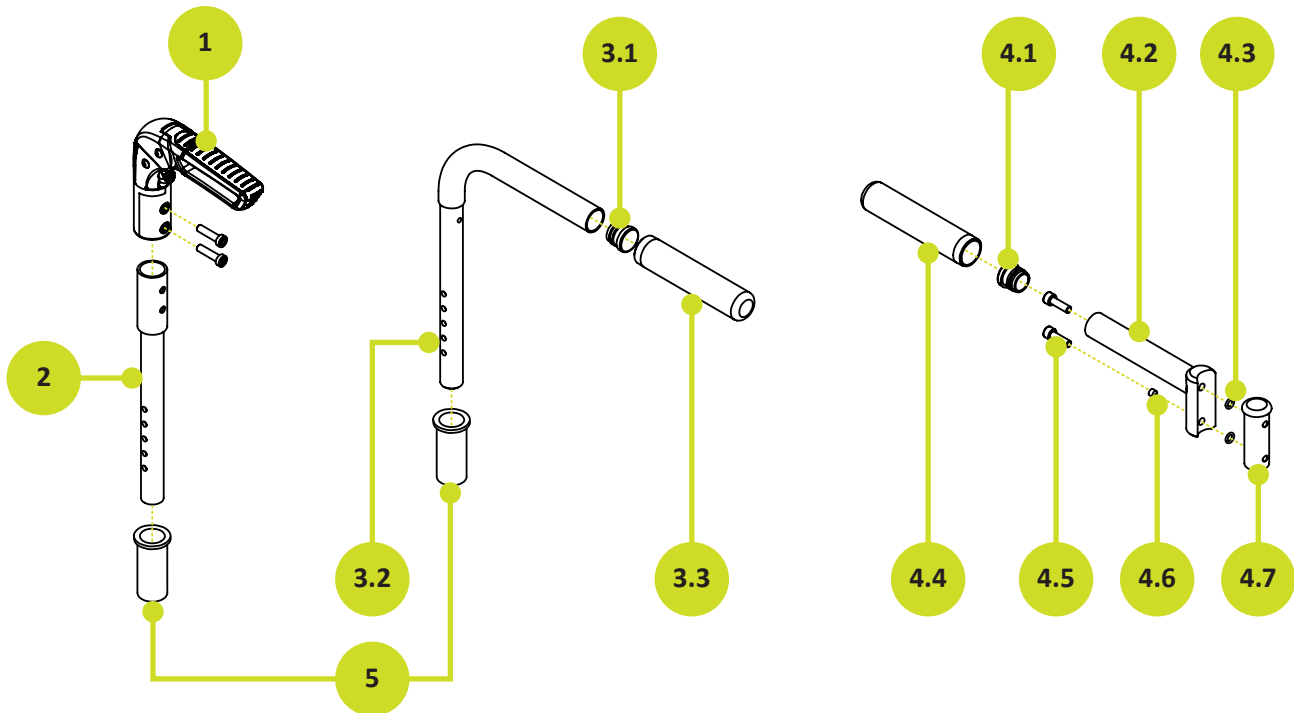
Spare part overview



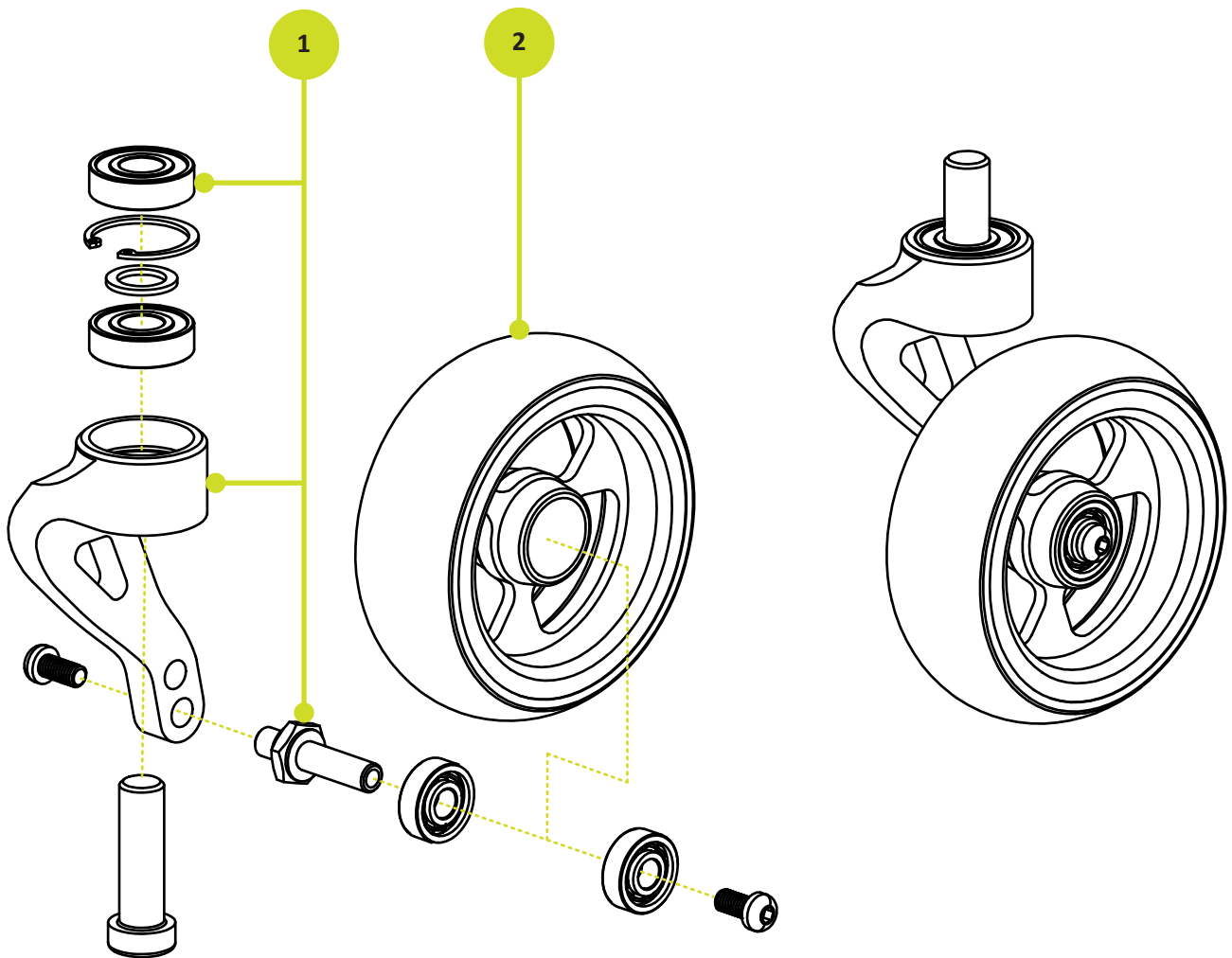
ILSA			
No.	Item Name	Stock No.	Amount
1	ILSA tube \varnothing25 +70 (1 stk.)	9511 2570 0070	2
Alt.	ILSA tube \varnothing 25 +50 (1 stk.)	9511 2550 0070	-
Alt.	ILSA tube \varnothing 25 +30 (1 stk.)	9511 2530 0070	-
Alt.	ILSA tube \varnothing 25 +0 (1 stk.)	9511 2500 0070	-
Alt.	ILSA tube \varnothing 25 custom (1 stk.)	9511 2599 0070	-
2	Plast plug \varnothing25x\varnothing17x27 kup	9350 2517 2700	2
3	Clamp f/\varnothing30.8 rør	9540 3080 0000	2
	M6x25 m/ins 6-KT CH DIN 912 A2	9106 2541 0912	2
4	Shim \varnothing27,3 - \varnothing25,1 - 60	9510 3058 0160	2
5	Push Handle \varnothing22 adjustable	9510 0008 0005	2
Alt.	Push Handle \varnothing 25 adjustable	9510 0008 0006	-
6	Bushing f/ \varnothing22 push handle POM	9510 6028 0080	2
7	Console f/height adj. push handles	9535 9940 0060	2
inc.	M6x20 m/ins 6-KT CH (black)	???? ???? ???? ?	4
8	Push button spring lock	9511 0001 0120	2
9	Fastening Handle with thread pin M6x25	9110 0625 0010	2



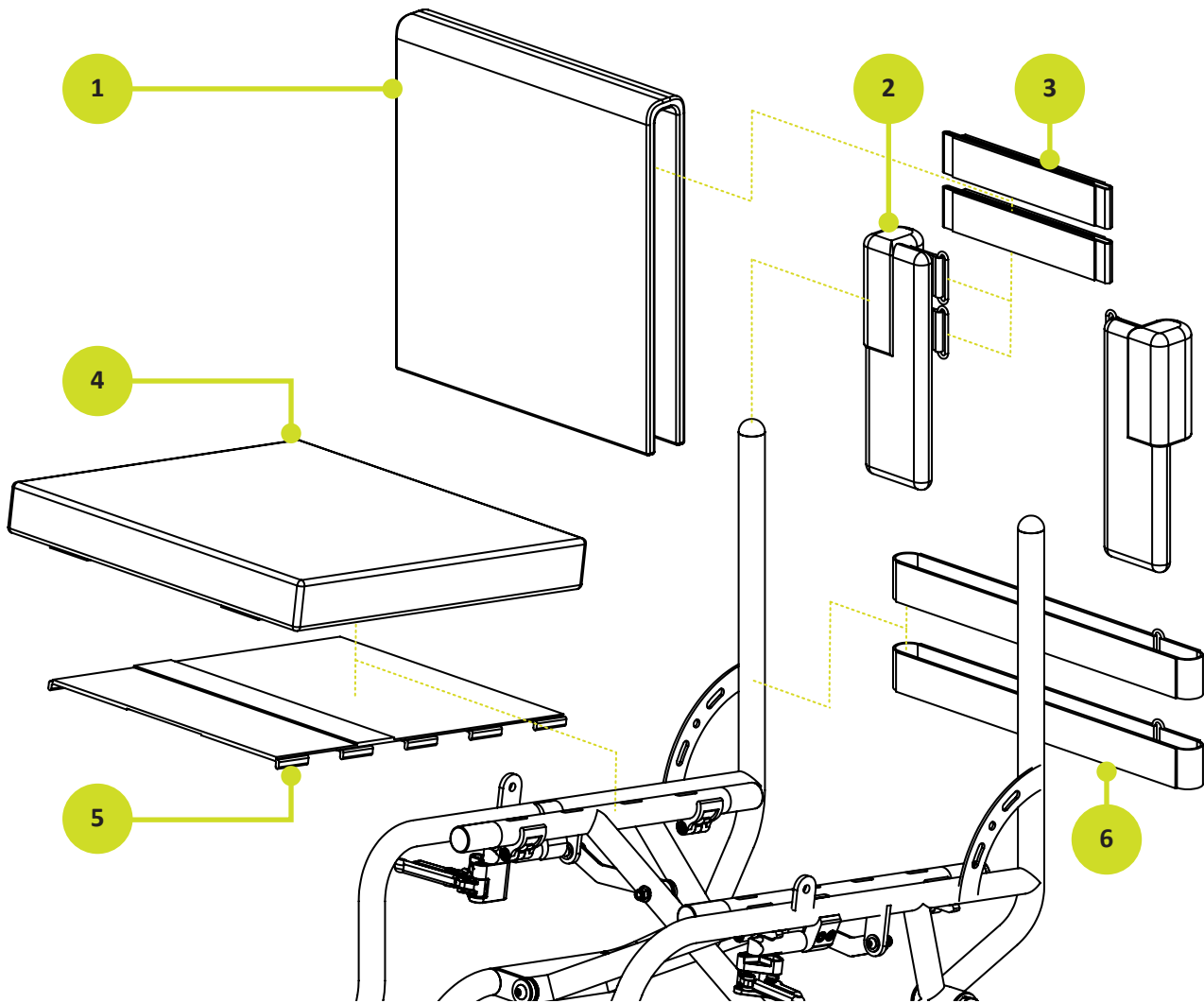
Pushhandles			
No.	Item Name	Stock No.	Amount
1	Pushhandle Ø22 adjustable	9510 0008 0005	2
1.1	Plastic plug Ø22xØ18x19 flat	9350 2218 1800	2
1.2	Neoprene padding pushhandle	9420 0020 0001	2
1.3	Tube f/s handle Ø22 adjustable	9722 0261 6070	2
2	Pushhandle Ø25 adjustable	9510 0008 0006	2
2.1	Plastic plug Ø25xØ19x17 flat	9350 2519 1700	2
2.2	Tube f/s handle Ø25 adjustable	9725 0261 6070	2
3	Push button spring lock	9511 0001 0120	2



Pushhandles			
No.	Item Name	Stock No.	Amount
1	Pushhandle set OB, Ø25mm tube (incl. in 2)	9000 0000 0194	1
2	Adjustable OB handle in backrest set	8852 0004 3100	1
3	Height adjustable Tetra handles	8852 0004 2100	1
3.1	Flat plastic plug Ø22xØ18x19	9350 2218 1800	2
3.2	Height adjustable tetra handle stem	8852 0004 2270	2
3.3	Tetra Rubber	9400 0020 0001	2
4	Screwed on Tetra Handle set	8852 0004 1001	1
4.1	Flat plastic plug Ø22xØ18x19	9350 2218 1800	2
4.2	Tetra push handle tube	9510 0008 0003	2
4.3	O-ring Din 3771 - 6 x 1,8mm	9250 6021 3771	4
4.4	Tetra Rubber Cover	9400 0020 0001	2
4.5	M6x25 w/ins 6-KT CH DIN 912 A2	9106 2541 0912	4
4.6	Socket screw cup point M6x6 w/ins 6-KT DIN 916	9106 0611 0916	2
4.7	Plug for push handle Ø20,6x60	9510 0009 0260	2
5	Plast bushing w/ flange f/ footrest Ø22.5	9510 2521 0280	2



Casters			
No.	Item Name	Stock No.	Amount
1	Front fork 4-5" single sided with bearings set (1 set is 2 pcs (L+R))	9520 4604 0380	1
<i>incl.</i>	<i>Axle Ø8x42 f/ single sided fork</i>	<i>9520 4216 0045</i>	<i>2</i>
<i>incl.</i>	<i>Bearing 6001-2RS Ø28/Ø12 mm</i>	<i>9410 2812 0001</i>	<i>4</i>
2	Front wheel 4" (Several options) (w/ bearings)		2
<i>alt.</i>	<i>Front wheel 5" (Several options) (w/ bearings)</i>		<i>2</i>



Upholstery			
No.	Item Name	Stock No.	Amount
1	Back cover	7100 2021 WWHH	1
2	Back top cushion (set of left and right)	7100 2020 4HH0	2
alt.	ILSA back top cushion (set of left and right)	7100 2020 42X0	
3	Top straps	7100 2020 24WW	2
4	Seat cushion	Several options	1
5	Merlin seat sling	7200 WWDD 1009	1
6	Back straps	7100 2020 13WW	2-3



WOLTURNUS

Kundeservice/Customer Service

Wolturnus A/S
Skalhuse 31
9240 Nibe

Telefon: +45 96 71 71 70
www.wolturnus.com
Mail: info@wolturnus.dk

Produktion/Production

Wolturnus A/S
Halkjærvej 24B
9240 Nibe