

P:\SW-Tek\Pelikaan lijn\4010\

Signed	KA	Date	14-06-2018
Revised	- /KA	Date	-
Revised	- /KA	Date	-

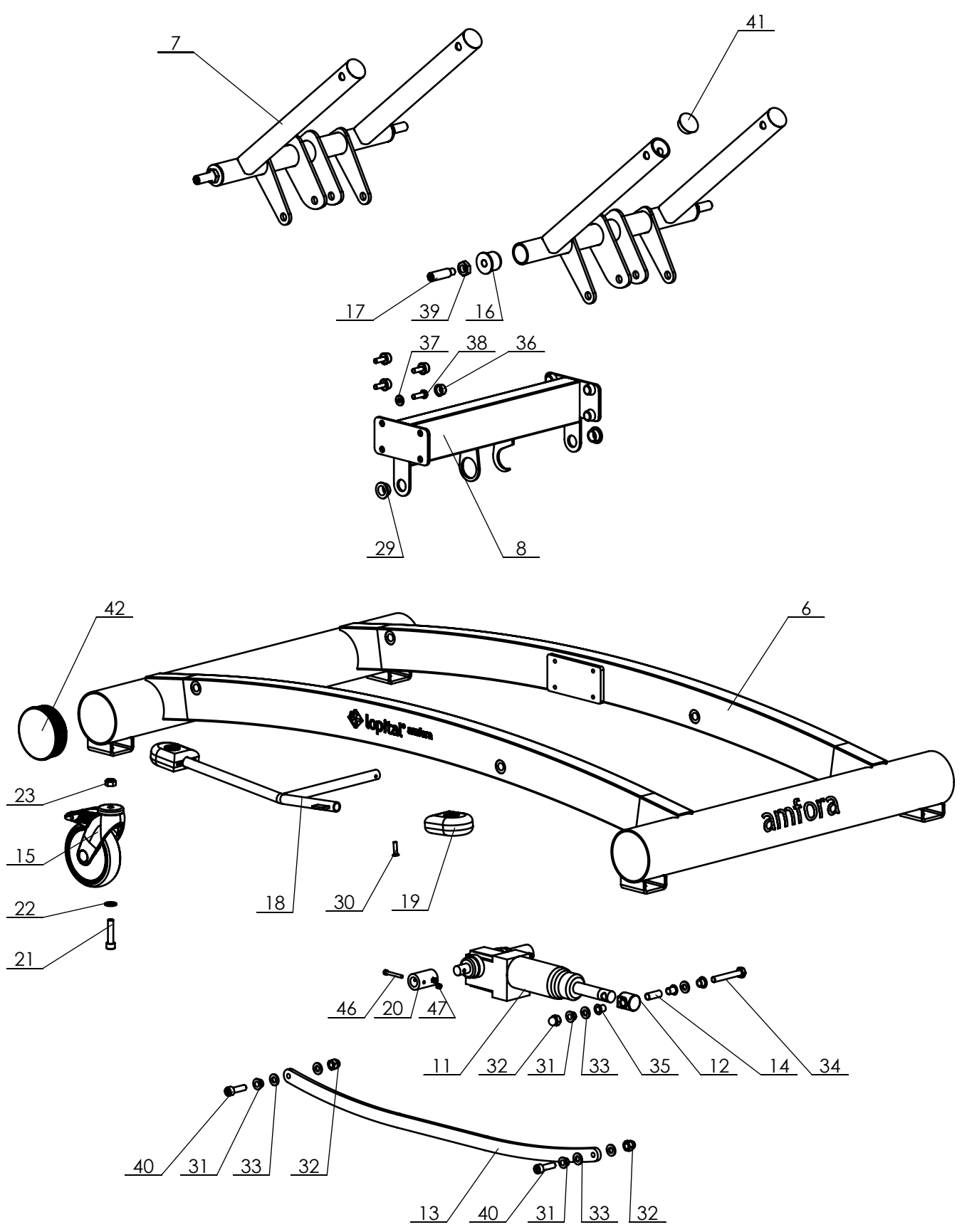
## Overview parts Amfora (Hydraulic)

Copyright reserved  
by law

Unit of measure-  
ment: mm

Lopital Nederland bv

Type nr: 62004010 / 62004015



P:\SW-Tek\Pelikkaan lijn\4010\

Signed	KA	Date	14-06-2018
Revised	- /KA	Date	-
Revised	- /KA	Date	-

# Overview parts Amfora (Hydraulic)

Copyright reserved by law  
Unit of measurement: mm

Lopital Nederland bv

Type nr: 62004010 / 62004015

## Amfora 62004010 / 62004015

Part nr.	QTY.	Art.nr.	Part
1	1	70401004 70401501	Frame L=160 Frame L=190
2	1	70410003 70410501	Inlay frame frame backrest L=160 Inlay frame backrest L=190
3	1	70410001	Adjusting backrest
4	2	70410002	Tube backrest adjusting
5	2	67904120 67904125	Siderail complete L=160 Siderail complete L=190
6	1	70230001	Chassis
7	1	70230003	Lever Set
8	1	70230002	Pump frame
9	2	70401512	Bespanning
10	1	67908070	Drip tray + Hose
11	1	70519913	Pump (hydraulic)
12	1	70230019	Pump attachment
13	2	70230025	Pull stroke
14	1	70550009	Hinge bush
15	4	70519928	Castor Ø 125 mm braked
16	4	70230008	Lever bearing
17	4	70307001	Custom screw
18	1	70230004	Pedal pump set
19	4	70519920	Pedal cap
20	2	70210033	Coupling
21	4		Cylinder head screw M10 x 45
22	4		Washer M10
23	4		Locknut M10
24	10		Washer M6
25	4		Locknut M6
26	4		Nut cap M6
27	2		Wingbolt M6x15
28	2		Tube cap Ø25
29	2		slide bearing 18x22x12
30	4		Countersunk screw M6x25
31	6		Slide bearing 10x14x10
32	5		Capnut M10
33	10		Washer M10
34	1		Hex bolt M10 x 70
35	2		Slide bearing 10x12x15
36	16		Screw cap M8
37	16		Cap ring M8
38	8		Hex bolt M8 x 25
39	4		Low Hex nut M16
40	4		Cylinder head screw M10x35

Signed	KA	Date	14-06-2018
Revised	- /KA	Date	-
Revised	- /KA	Date	-

## Overview parts Amfora (Hydraulic)

Copyright reserved  
by law

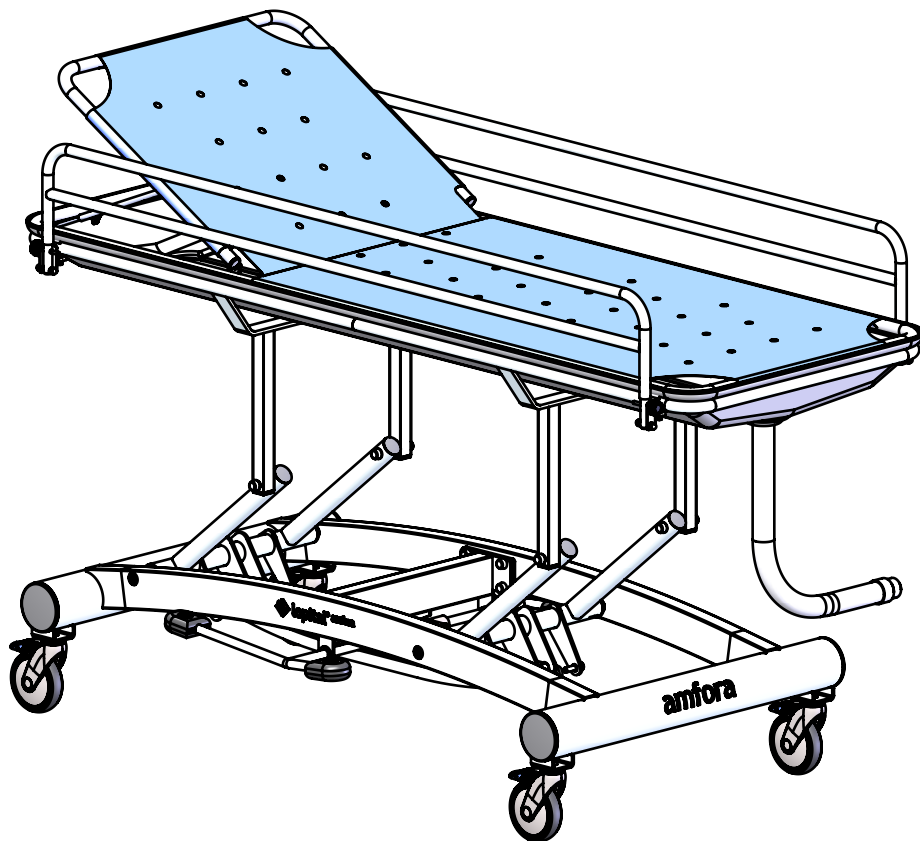
Unit of measure-  
ment: mm

Lopital Nederland bv

Type nr: 62004010 / 62004015

## Amfora 62004010 / 62004015

Part nr.	QTY.	Art.nr.	Part
41	4		Tube cap Ø 40
42	4		Tube cap Ø100
43	4		Hex bolt M8 x 100
44	4		Locknut M8
45	16		Slide bearing 8x14x10
46	4		Cylinder headscrew M5x40
47	4		Locknut M5
48	4		Tube cap 30x30



P:\SW-Tek\Pelikaan lijn\4010\

Signed	KA	Date	14-06-2018
Revised	- /KA	Date	-
Revised	- /KA	Date	-

## Overview parts Amfora (Hydraulic)

Copyright reserved  
by law

Unit of measure-  
ment: mm

Lopital Nederland bv

Type nr: 62004010 / 62004015