

P:\SW-Fek\Pelikaan lijn\4020\

Signed	KA	Date	13-06-2018
Revised	- /KA	Date	-
Revised	- /KA	Date	-

Overview parts Vienna (Hydraulic)

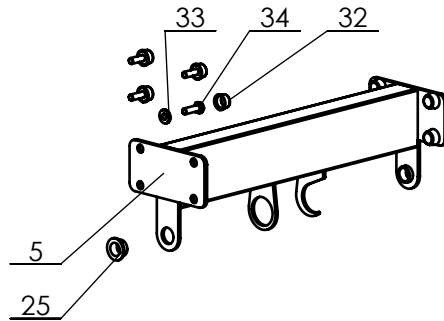
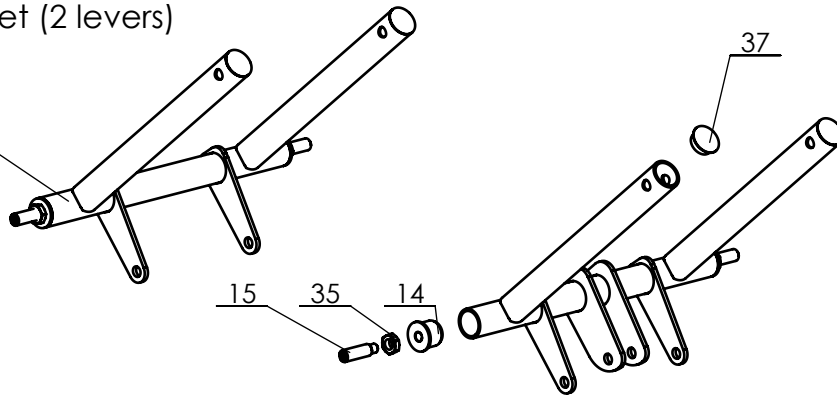
Copyright reserved by law

Unit of measurement: mm

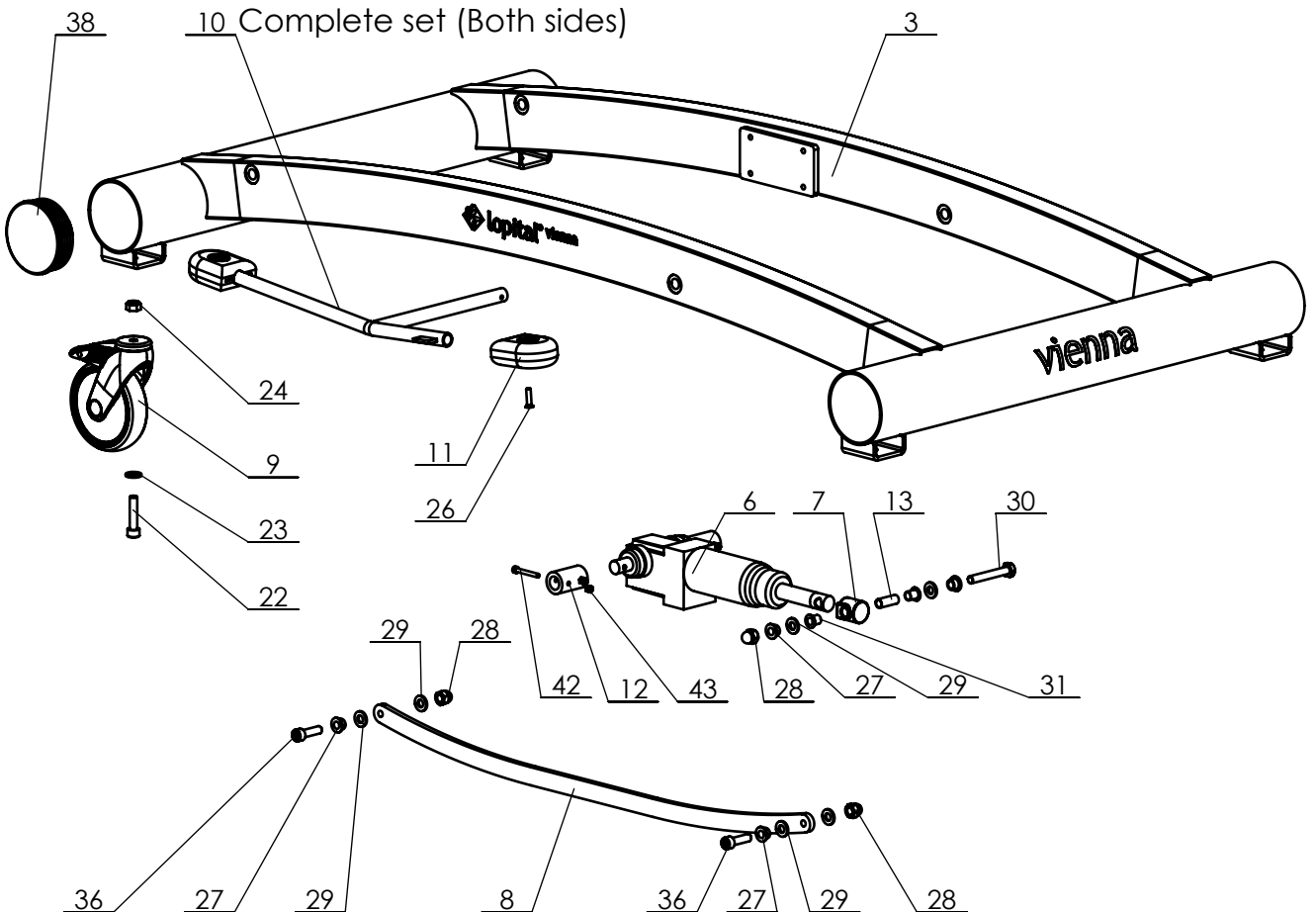
Lopital Nederland bv

Type nr: 65004020/4025

4 Complete set (2 levers)



10 Complete set (Both sides)



P:\SW-Fek\Pelikaan lijn\4020\

Signed	KA	Date	13-06-2018
Revised	- /KA	Date	-
Revised	- /KA	Date	-

Overview parts Vienna (Hydraulic)

Copyright reserved by law

Unit of measurement: mm

Lopital Nederland bv

Type nr: 65004020/4025

Vienna 65004020/4025

Part nr.	QTY.	Art.nr.	Part
1	1	70402002 70402502	Frame 160 Frame 190
2	2	67904120 67904125	Side rail complete L=160 Side rail complete L=190
3	1	70230001	Chassis
4	1	70230003	Lever Set
5	1	70230002	Pump frame
6	1	70519913	Pump (hydraulic)
7	1	70230019	Pump attachment
8	2	70230025	Pull stroke
9	4	70519928	Castor Ø 125 mm braked
10	1	70230004	Pedal pump set
11	4	70519920	Pedal cap
12	2	70210033	Coupling
13	1	70550009	Hinge bush
14	4	70230008	Lever bearing
15	4	70307001	Custom screw
16	2	70411002*	Axis back adjusting
17	2	70411002	Tube back adjusting
18	2	70411003	Hinge for back
19	1	70402001 70402501	Matress set 160 Matress set 190
20	2	70411004	Hook support
21	8	70402003	Stainless steel clip
22	4		Cylinder head screw M10 x 45
23	4		Washer M10
24	4		Locknut M10
25	2		slide bearing 18x22x12
26	4		Countersunk screw M6x25
27	6		Slide bearing 10x14x10
28	5		Capnut M10
29	10		Washer M10
30	1		Hex bolt M10 x 70
31	2		Slide bearing 10x12x15
32	16		Screw cap M8
33	16		Cap ring M8
34	8		Hex bolt M8 x 25
35	4		Low Hex nut M16
36	4		Cylinder head screw M10x35
37	4		Tube cap Rond 40
38	4		Tube cap Ø100
39	4		Hex bolt M8 x 100

Signed	KA	Date	13-06-2018
Revised	- /KA	Date	-
Revised	- /KA	Date	-

Overview parts Vienna (Hydraulic)

Copyright reserved
by law

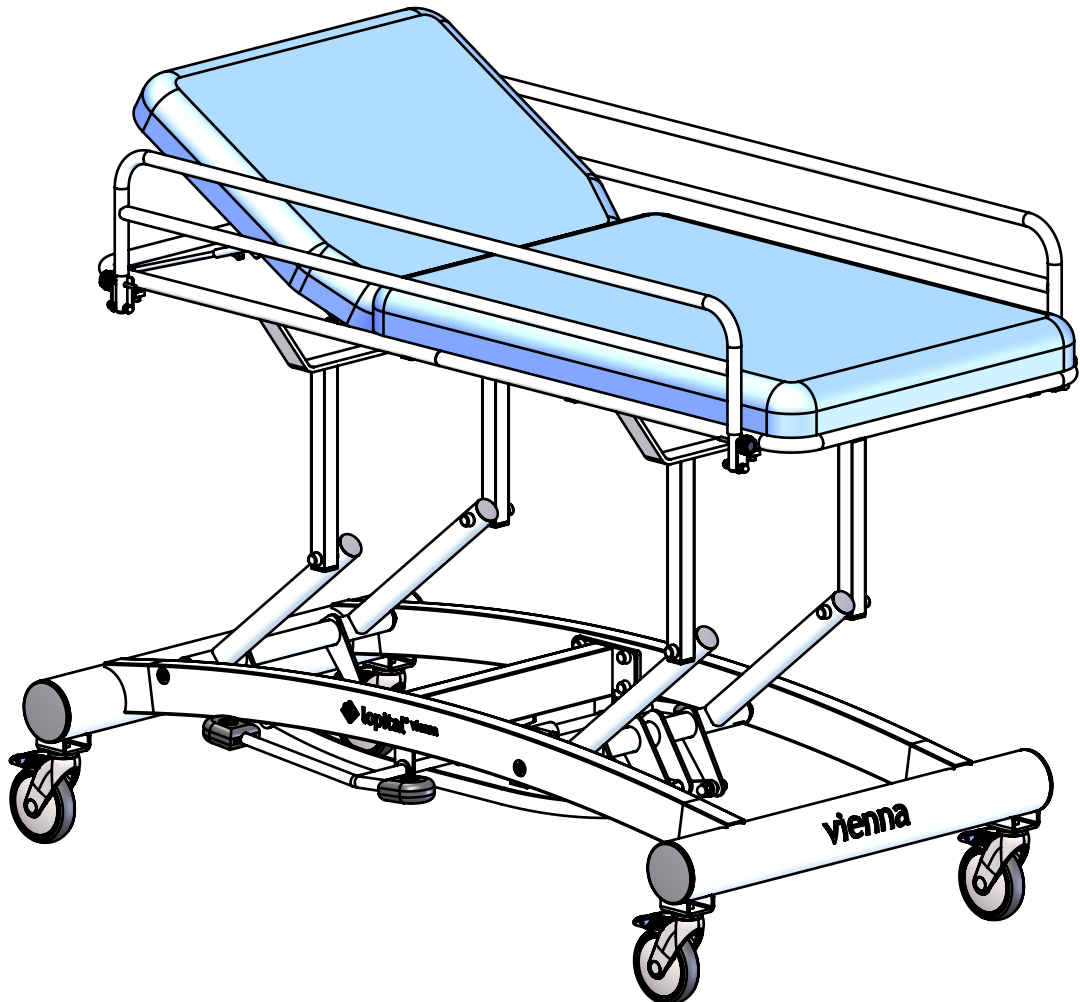
Unit of measure-
ment: mm

Lopital Nederland bv

Type nr: 65004020/4025

Vienna 65004020 / 65004025

Part nr.	QTY.	Art.nr.	Part
40	4		Locknut M8
41	16		Slide bearing 8x14x10
42	4		Cylinder headscrew M5x40
43	4		Locknut M5
44	20		Washer M6
45	4		Locknut M6
46	3		Nut cap M6
47	2		Wingbolt M6x15
48	2		Hex bolt M6x30
49	8		Hex bolt M6x20
50	8		Chipboard screw M4x30
51	4		Tube cap 30x30



P:\SW-Fek\Pelikaan lijn\4020\

Signed	KA	Date	13-06-2018
Revised	- /KA	Date	-
Revised	- /KA	Date	-

Overview parts Vienna (Hydraulic)

Copyright reserved
by law

Unit of measure-
ment: mm

Lopital Nederland bv

Type nr: 65004020/4025