

Frames Catalogue

APEX ALUMINUM FRAME ASSEMBLY	1
------------------------------	---

Front Wheels Catalogue

FRONT CASTER WHEELS	3
CASTER MOUNT ASSEMBLY	4
INTEGRATED BEARING FORK HARDWARE	10

Footrests Catalogue

TUBULAR OPEN LOOP FOOTPLATES	11
ONE PIECE FOOTPLATES	14
ONE PIECE FOOTPLATE STRUCTURES	15
CALF STRAPS	18
BODYPOINT AEROMESH CALF SUPPORTS	22

Backrests Catalogue

FOLDING STANDARD BACKREST MECHANISM	23
FOLDING ULTRALIGHT BACKREST MECHANISM	28
FOLD DOWN & LOCKING ALU BACK CANE ASSEMBLY	32
ULTRALIGHT NON LOCKING ALU BACK CANE ASSEMBLY	37
PUSH HANDLES & STRAIGHT EXTENSION	42
NEWTON FOLDING STABILIZER BAR	46

Upholsteries & Seatings Catalogue

BACK UPHOLSTERY - SLIP ON & TENSION BACK, SYNTECH-SUEDE	48
RIGID FRAME SEAT SLING WITH HOOK	51
CUSHIONS	53

Rear Wheels Catalogue

REAR WHEEL MOUNTING TUBE	56
REAR WHEELS & SPOKES	59
SPINERGY REAR WHEELS	60
SPINERGY CLX BLADE REAR WHEELS	61
TIRES	62
HANDRIMS	63
SURGE AND NATURAL FIT HANDRIMS	64
NEWTON AIR GRIP HANDRIMS	65
BBRAVER HANDRIMS	66
HANDRIM HARDWARE	67
FLAT FREE INSERTS	69
SPOKE GUARDS	70
REAR WHEELS + TIRES	72
QUICK RELEASE & PERMANENT AXLE	76

Wheel Locks Catalogue

WHEEL LOCK - PUSH & PULL	79
WHEEL LOCK - PUSH & PULL WITH EXTENDED RAIL	84
WHEEL LOCK - SCISSOR	89
WHEEL LOCK - GRADE AID	91
WHEEL LOCK - GRADE AID WITH EXTENDED RAIL	94
WHEEL LOCK - CLAMPS	97

Armrests Catalogue

ARMRESTS	99
ARMREST - GEL ARMREST PAD	114
ARMRESTS - T TYPE RECEIVER	117
SWING AWAY RECEIVER	119

Sideguards Catalogue

SIDEGUARDS	122
FENDER SIDEGUARDS (APEX)	127
REMOVABLE SIDEGUARD & MUDGUARD RECEIVERS	132
SIDEGUARD - CLOTH	134

Seatbelts Catalogue

POSITIONING SEATBELTS	135
POSITIONING SEATBELTS - BODYPOINT	138
HIP BELT - BODYPOINT EVOFLEX	140
WC-19 AUTO BUCKLE (APEX FRAME)	142
POSITIONING SEATBELTS - ADDITIONAL HARDWARE (2 COMPOSITES CLAMPS)	144

Accessories Catalogue

ANTI-TIPPERS & RECEIVER	146
PATCHES	150
SEAT POUCH	151
NEWTON BACKPACK	152
BODYPOINT MOBILITY BAG	153
MOTION COMPOSITES T-SHIRT	154
MOTION COMPOSITES POLO	155
TOOL KIT	156

Color Options Catalogue

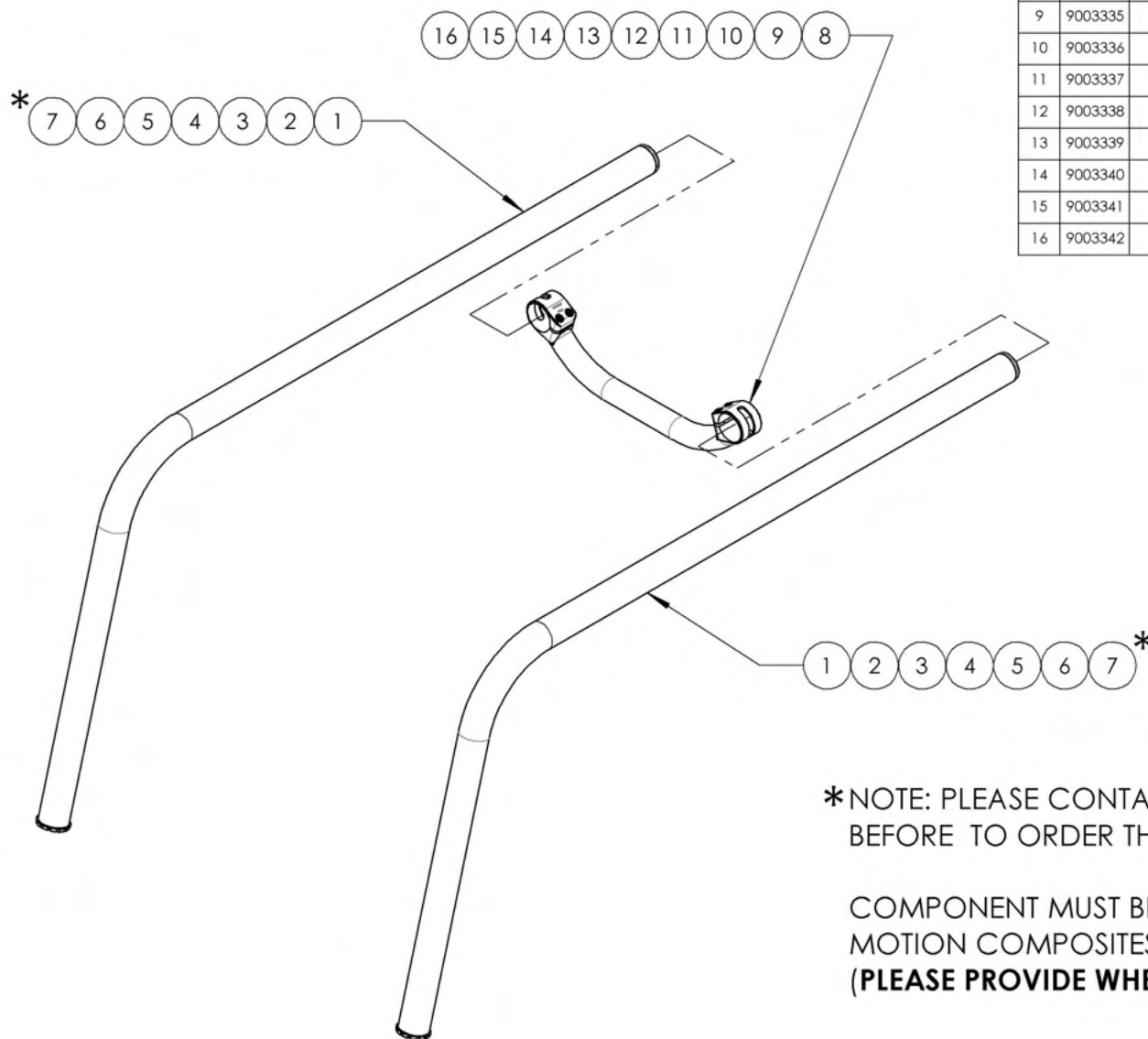
COLOR HIGHLIGHT - APEX ALUMINUM	158
APEX & VELOCE COLOR SWATCH	160

Quick Orders Catalogue

COMPLETE ARMREST ASSEMBLY TYPE 2 (PAIR)	161
REAR WHEEL ASSEMBLY	164
WHEEL LOCK PAIR ASSEMBLY	166

Frame Catalogue
Apex Aluminum Frame Assembly

NOTE: SERVICE AND/OR REPLACEMENT DONE BY
 MOTION COMPOSITES



ITEM NO.	PARTNO	DESCRIPTION	QTY
1	9003233	Rigid Frame - Aluminum, 75 DEG Front Angle (Specify Seat Depth & Front STFH)	2
2	9003234	Rigid Frame - Aluminum, 80 DEG Front Angle (Specify Seat Depth & Front STFH)	2
3	9003235	Rigid Frame - Aluminum, 85 DEG Front Angle (Specify Seat Depth & Front STFH)	2
4	9003236	Rigid Frame - Aluminum, 90 DEG Front Angle (Specify Seat Depth & Front STFH)	2
5	9003237	Rigid Frame - Aluminum, 95 DEG Front Angle (Specify Seat Depth & Front STFH)	2
6	9003238	Rigid Frame - Aluminum, 100 DEG Front Angle (Specify Seat Depth & Front STFH)	2
7	9003239	Rigid Frame - Aluminum, 105 DEG Front Angle (Specify Seat Depth & Front STFH)	2
8	9003334	Seat Rigidizer - Aluminium, 12 in Width	1
9	9003335	Seat Rigidizer - Aluminium, 13 in Width	1
10	9003336	Seat Rigidizer - Aluminium, 14 in Width	1
11	9003337	Seat Rigidizer - Aluminium, 15 in Width	1
12	9003338	Seat Rigidizer - Aluminium, 16 in Width	1
13	9003339	Seat Rigidizer - Aluminium, 17 in Width	1
14	9003340	Seat Rigidizer - Aluminium, 18 in Width	1
15	9003341	Seat Rigidizer - Aluminium, 19 in Width	1
16	9003342	Seat Rigidizer - Aluminium, 20 in Width	1

*NOTE: PLEASE CONTACT OUR CUSTOMER SERVICE
 BEFORE TO ORDER THE FRAME.

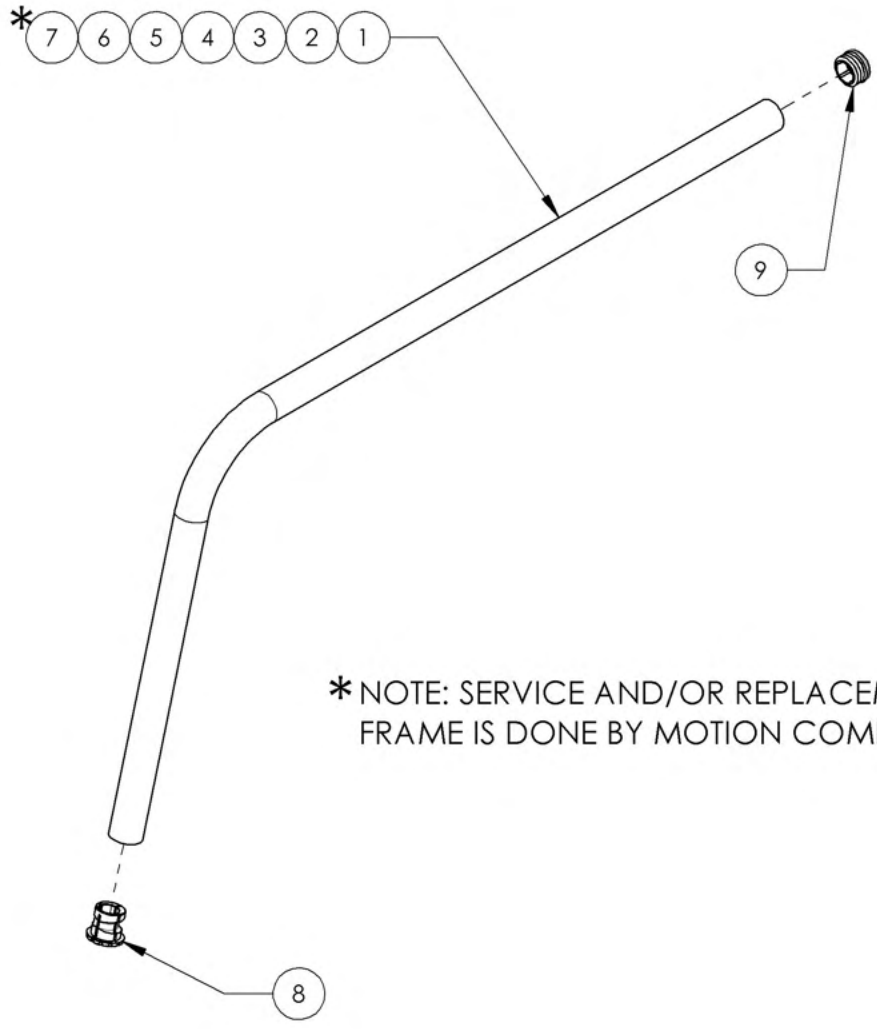
COMPONENT MUST BE SELECTED & MACHINED BY
 MOTION COMPOSITES BASED ON WHEELCHAIR SPECS
(PLEASE PROVIDE WHEELCHAIR SERIAL NUMBER)

MAKE SURE TO HAVE YOUR SERIAL NUMBER
 NEARBY WHEN ORDERING PARTS FOR YOUR
 MOTION COMPOSITES WHEELCHAIR

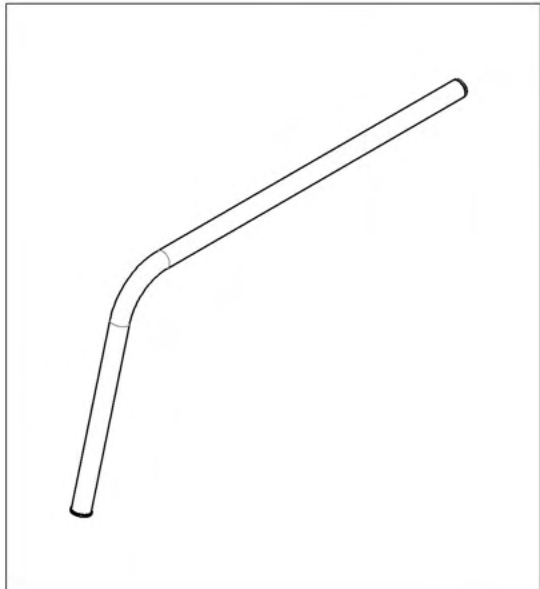
9003233_9003239

Rigid Frame - Aluminum (Specify Seat Depth & Front STFH)

ITEM NO.	PARTNO	DESCRIPTION	9003233 /QTY.	9003234 /QTY.	9003235 /QTY.	9003236 /QTY.	9003237 /QTY.	9003238 /QTY.	9003239 /QTY.
1	10680	ALUMINUM FIXED FRAME TUBE 75 DEG	1	-	-	-	-	-	-
2	10681	ALUMINUM FIXED FRAME TUBE 80 DEG	-	1	-	-	-	-	-
3	10682	ALUMINUM FIXED FRAME TUBE 85 DEG	-	-	1	-	-	-	-
4	10683	ALUMINUM FIXED FRAME TUBE 90 DEG	-	-	-	1	-	-	-
5	10684	ALUMINUM FIXED FRAME TUBE 95 DEG	-	-	-	-	1	-	-
6	10685	ALUMINUM FIXED FRAME TUBE 100 DEG	-	-	-	-	-	1	-
7	10686	ALUMINUM FIXED FRAME TUBE 105 DEG	-	-	-	-	-	-	1
8	31249	FIXED FRAME FOOTREST SLEEVE	1	1	1	1	1	1	1
9	11035	FIXED FRAME PLASTIC END CAP BLACK	1	1	1	1	1	1	1

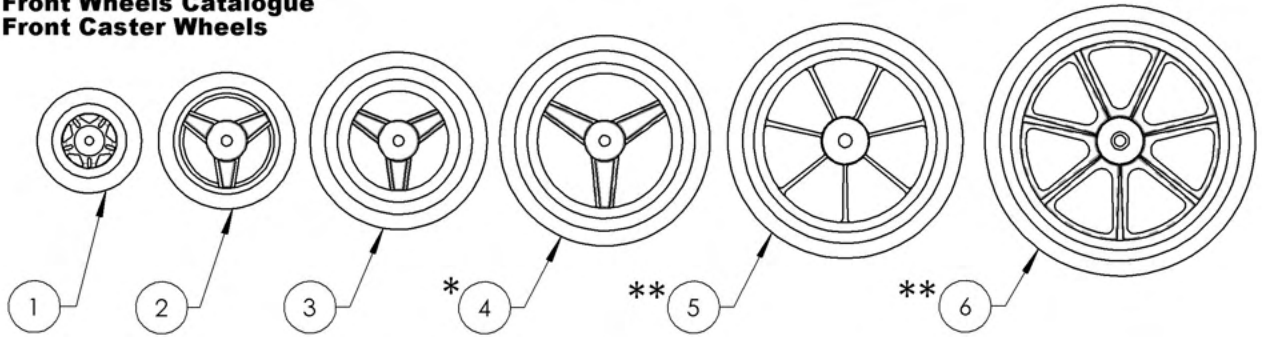


* NOTE: SERVICE AND/OR REPLACEMENT FOR FRAME IS DONE BY MOTION COMPOSITES

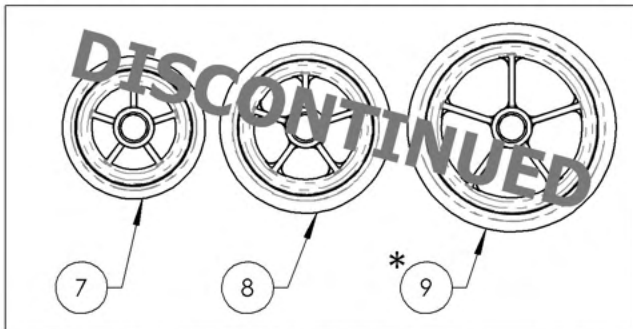


MAKE SURE TO HAVE YOUR SERIAL NUMBER NEARBY WHEN ORDERING PARTS FOR YOUR MOTION COMPOSITES WHEELCHAIR

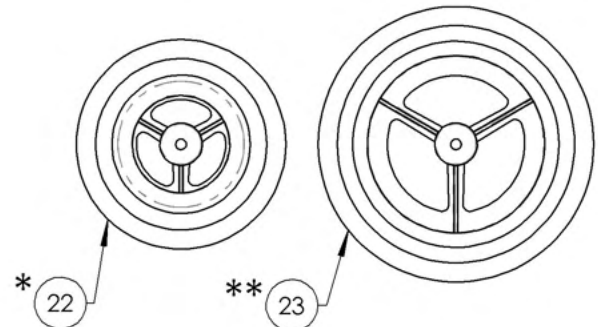
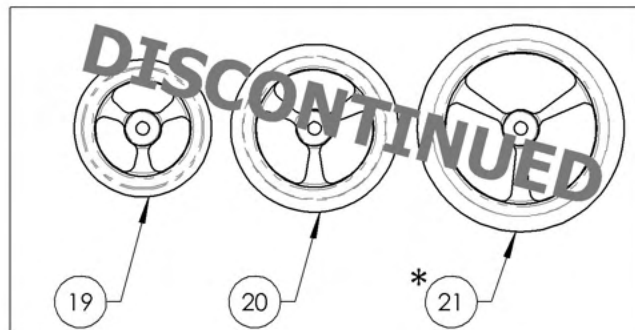
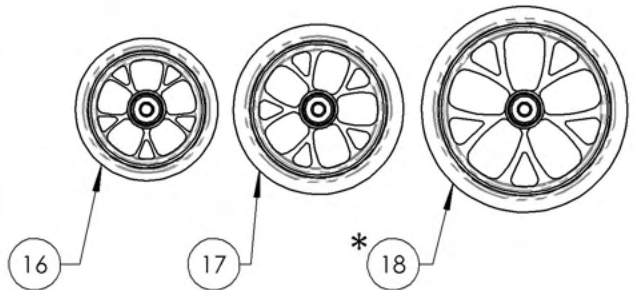
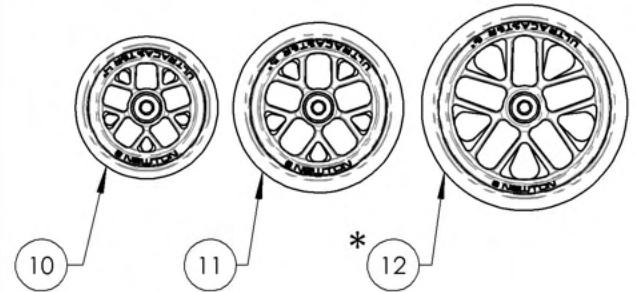
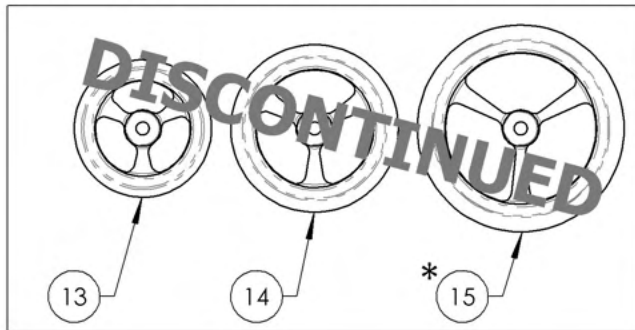
**Front Wheels Catalogue
Front Caster Wheels**



REPLACED BY #9002843, #9002844 & #9002845



REPLACED BY #9002846, #9002847 & #9002848



ITEM NO.	PARTNO	DESCRIPTION	QTY.
1	9001457	Caster - Composites, 3x1 in	1
2	9001458	Caster - Composites, 4x1 in	1
3	9001459	Caster - Composites, 5x1 in	1
4 *	9001460	Caster - Composites, 6x1 in	1
5 **	9001461	Caster - Composites, 7x1 in	1
6 **	9001462	Caster - Composites, 8x1 in	1
7	9001463	Caster - Composites Soft-Roll, 4x1½ in	1
8	9001464	Caster - Composites Soft-Roll, 5x1½ in	1
9 *	9001465	Caster - Composites Soft-Roll, 6x1½ in	1
10	9002843	Newton UltraCaster - Composites, 4 x 1½ in	1
11	9002844	Newton UltraCaster - Composites, 5 x 1½ in	1
12 *	9002845	Newton UltraCaster - Composites, 6 x 1½ in	1
13	9002213	Caster - Aluminum Soft-Roll, 4x1½ in	1
14	9002214	Caster - Aluminum Soft-Roll, 5x1½ in	1
15 *	9002215	Caster - Aluminum Soft-Roll, 6x1½ in	1
16	9002846	Newton UltraCaster - Aluminium, 4 x 1½ in	1
17	9002847	Newton UltraCaster - Aluminium, 5 x 1½ in	1
18 *	9002848	Newton UltraCaster - Aluminium, 6 x 1½ in	1
19	9001466	Caster - Court Wheel Aluminum, 4x1 in	1
20	9001467	Caster - Court Wheel Aluminum, 5x1 in	1
21 *	9001468	Caster - Court Wheel Aluminum, 6x1 in	1
22 *	9001469	Caster - Pneumatic, 6x1½ in	1
23 **	9001470	Caster - Pneumatic, 8x1½ in	1

* :NOT AVAILABLE WITH VELOCE MONOARM FORK
** :NOT AVAILABLE WITH VELOCE & APEX FORK

BEARING REPLACEMENT

NEWTON ULTRACASTER WHEELS
9002843, 9002844, 9002845,
9002846, 9002847, 9002848,

SOFT-ROLL & COURT WHEELS
9001463, 9001464, 9001465,
9002213, 9002214, 9002215,
9001466, 9001467 & 9001468
Part#: **22037**

COMPOSITES & PNEUMATIC CASTER WHEELS
9001457, 9001458, 9001459, 9001460,
9001461, 9001462, 9001469 & 9001470
Part#: **22038**

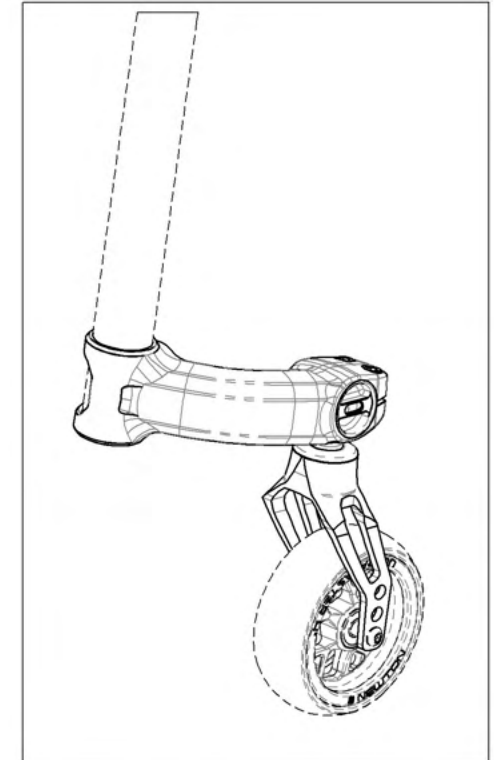
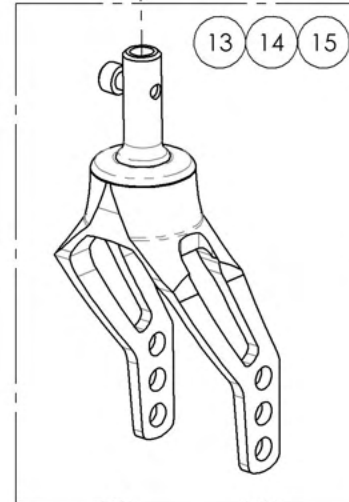
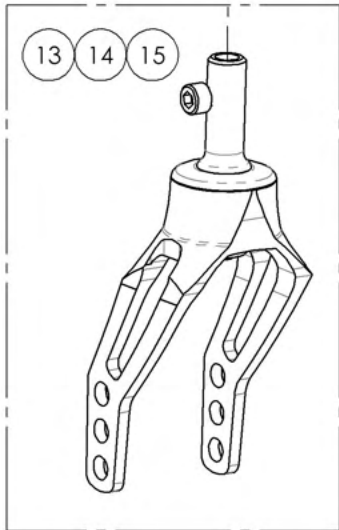
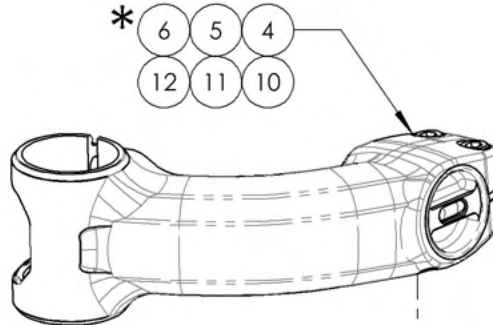
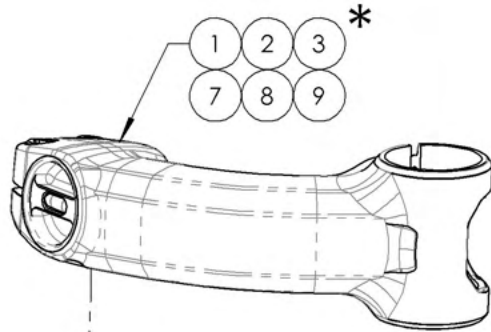
MAKE SURE TO HAVE YOUR SERIAL NUMBER NEARBY WHEN ORDERING PARTS FOR YOUR MOTION COMPOSITES WHEELCHAIR

**Front Wheels Catalogue
Caster Mount Assembly**

* NOTE: SERVICE AND/OR REPLACEMENT FOR
CASTER MOUNT IS DONE BY MOTION COMPOSITES

CONTACT OUR CUSTOMER SERVICE BEFORE TO
ORDER CASTER MOUNT
(PLEASE PROVIDE WHEELCHAIR SERIAL NUMBER)

ITEM NO.	PARTNO	DESCRIPTION	QTY
1 *	9003223	Caster Mount, Right, 0 DEG	1
2 *	9003224	Caster Mount, Right, 4.5 DEG	1
3 *	9003225	Caster Mount, Right, 9 DEG	1
4 *	9003226	Caster Mount, Left, 0 DEG	1
5 *	9003227	Caster Mount, Left, 4.5 DEG	1
6 *	9003228	Caster Mount, Left, 9 DEG	1
7 *	9003268	Caster Mount, Short, Right, 0 DEG	1
8 *	9003269	Caster Mount, Short, Right, 4.5 DEG	1
9 *	9003270	Caster Mount, Short, Right, 9 DEG	1
10 *	9003271	Caster Mount, Short, Left, 0 DEG	1
11 *	9003272	Caster Mount, Short, Left, 4.5 DEG	1
12 *	9003273	Caster Mount, Short, Left, 9 DEG	1
13	9003229	Fork - Assembly with STD Stem Bolt	2
14	9003230	Fork - Assembly with +0.5 in Stem Bolt	2
15	9003231	Fork - Assembly with +1 in Stem Bolt	2

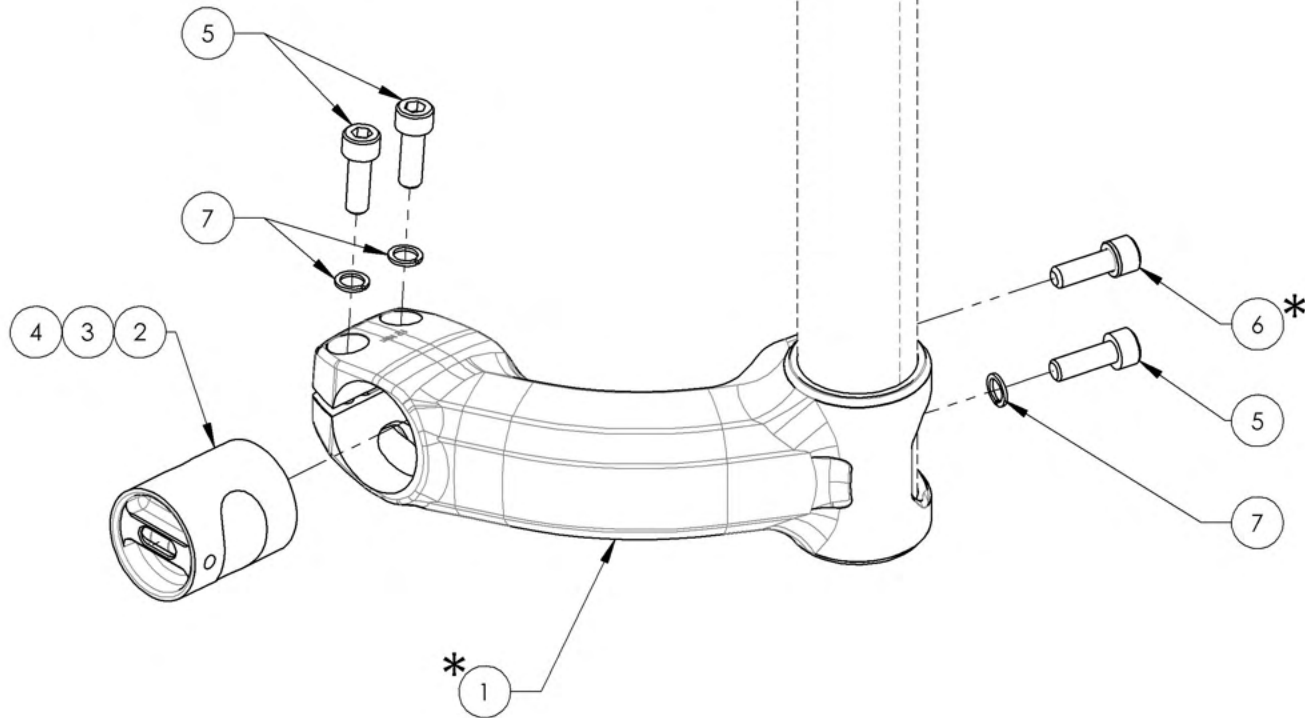


MAKE SURE TO HAVE YOUR SERIAL NUMBER
NEARBY WHEN ORDERING PARTS FOR YOUR
MOTION COMPOSITES WHEELCHAIR

9003223_9003225
Caster Mount, Right

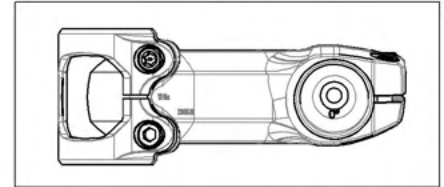
* NOTE: SERVICE AND/OR REPLACEMENT FOR
 CASTER MOUNT IS DONE BY MOTION COMPOSITES

CONTACT OUR CUSTOMER SERVICE BEFORE TO
 ORDER CASTER MOUNT (#22142)
(PLEASE PROVIDE WHEELCHAIR SERIAL NUMBER)

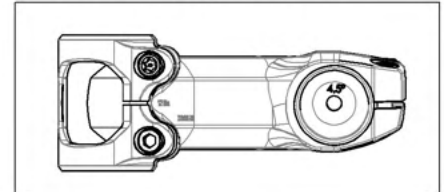


ITEM NO.	PARTNO	DESCRIPTION	9003223 /QTY.	9003224 /QTY.	9003225 /QTY.
1*	22142	RIGHT CASTER MOUNT	1	1	1
2	22507	CANTILEVER 0° ANGLED HOUSING ASSEMBLY	1	-	-
3	22508	CANTILEVER 4.5° ANGLED HOUSING ASSEMBLY	-	1	-
4	22509	CANTILEVER 9° ANGLED HOUSING ASSEMBLY	-	-	1
5	90770	SOCKET CAP SCREW M6X1 X 18mm LONG, FULLY THREADED + BLUE TREADLOCKER - BLACK ZINC	3	3	3
6*	91044	SECURITY SOCKET CAP SCREW M6X1 X 18mm LONG, FULLY THREADED + BLUE THREADLOCKER	1	1	1
7	99559	COLLAR LOCKWASHER 1_4	3	3	3

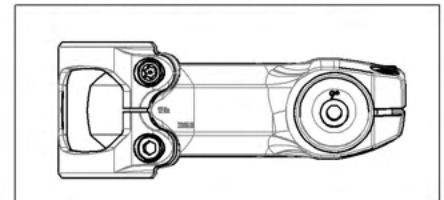
9003223
 Caster Mount, Right, 0 DEG



9003224
 Caster Mount, Right, 4.5 DEG



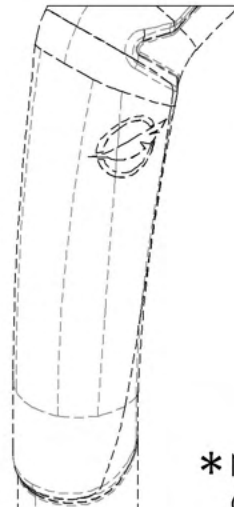
9003225
 Caster Mount, Right, 9 DEG



MAKE SURE TO HAVE YOUR SERIAL NUMBER
 NEARBY WHEN ORDERING PARTS FOR YOUR
 MOTION COMPOSITES WHEELCHAIR

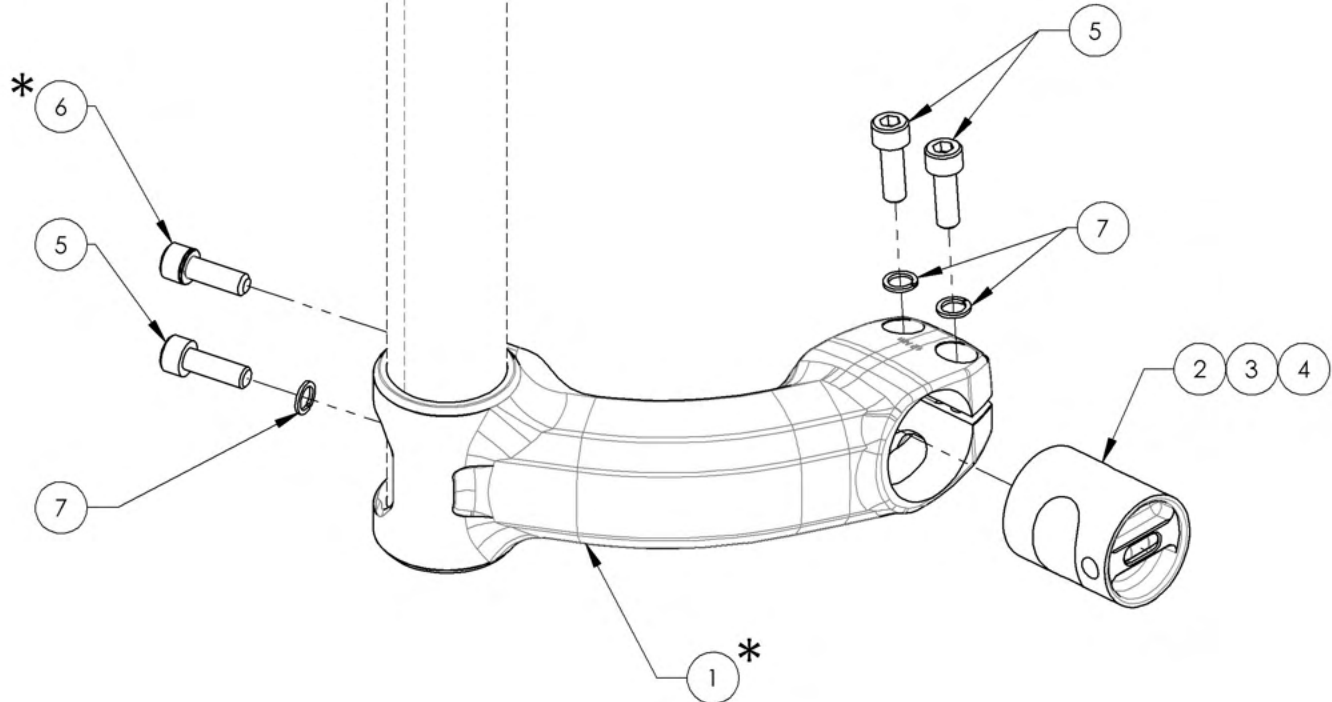
9003226_9003228
Caster Mount, Left

ITEM NO.	PARTNO	DESCRIPTION	9003226 /QTY.	9003227 /QTY.	9003228 /QTY.
1*	22141	LEFT CASTER MOUNT	1	1	1
2	22507	CANTILEVER 0° ANGLED HOUSING ASSEMBLY	1	-	-
3	22508	CANTILEVER 4.5° ANGLED HOUSING ASSEMBLY	-	1	-
4	22509	CANTILEVER 9° ANGLED HOUSING ASSEMBLY	-	-	1
5	90770	SOCKET CAP SCREW M6X1 X 18mm LONG, FULLY THREADED + BLUE TREADLOCKER - BLACK ZINC	3	3	3
6*	91044	SECURITY SOCKET CAP SCREW M6X1 X 18mm LONG, FULLY THREADED + BLUE TREADLOCKER	1	1	1
7	99559	COLLAR LOCKWASHER 1_4	3	3	3

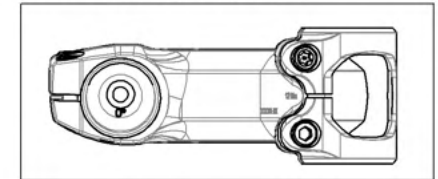


*** NOTE: SERVICE AND/OR REPLACEMENT FOR CASTER MOUNT IS DONE BY MOTION COMPOSITES**

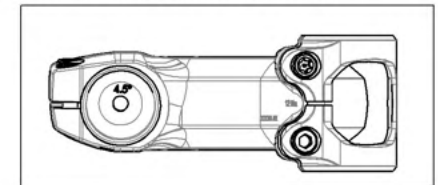
**CONTACT OUR CUSTOMER SERVICE BEFORE TO ORDER CASTER MOUNT (#22141)
 (PLEASE PROVIDE WHEELCHAIR SERIAL NUMBER)**



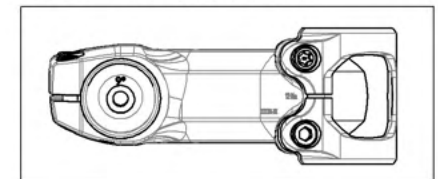
9003226
 Caster Mount, Left, 0 DEG



9003227
 Caster Mount, Left, 4.5 DEG



9003228
 Caster Mount, Left, 9 DEG

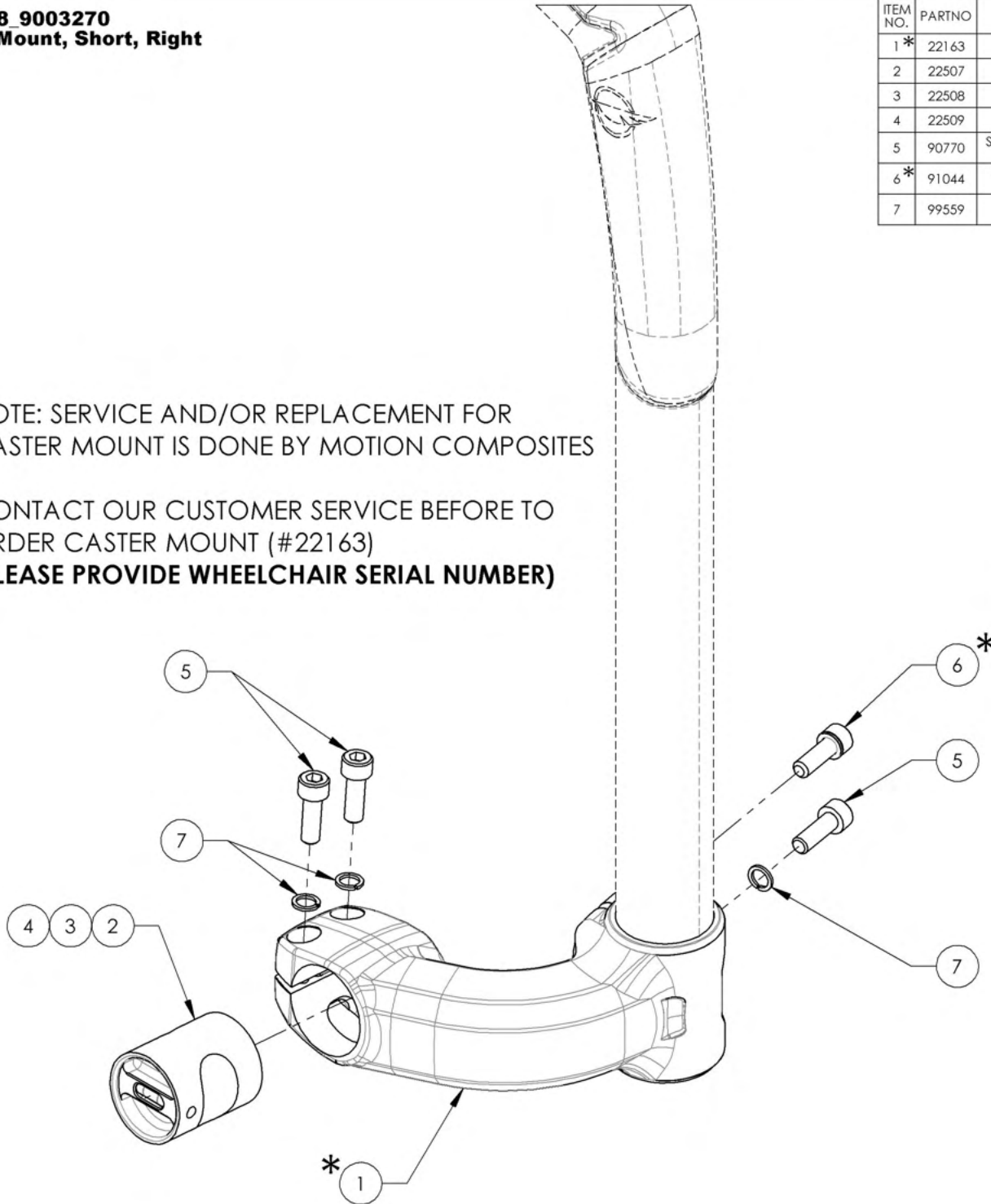


MAKE SURE TO HAVE YOUR SERIAL NUMBER NEARBY WHEN ORDERING PARTS FOR YOUR MOTION COMPOSITES WHEELCHAIR

9003268_9003270
Caster Mount, Short, Right

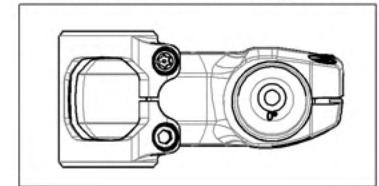
* NOTE: SERVICE AND/OR REPLACEMENT FOR
 CASTER MOUNT IS DONE BY MOTION COMPOSITES

CONTACT OUR CUSTOMER SERVICE BEFORE TO
 ORDER CASTER MOUNT (#22163)
(PLEASE PROVIDE WHEELCHAIR SERIAL NUMBER)

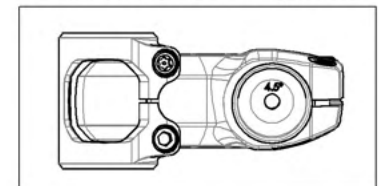


ITEM NO.	PARTNO	DESCRIPTION	9003268 /QTY.	9003269 /QTY.	9003270 /QTY.
1*	22163	CASTER MOUNT 65mm, RIGHT	1	1	1
2	22507	CANTILEVER 0° ANGLED HOUSING ASSEMBLY	1	-	-
3	22508	CANTILEVER 4.5° ANGLED HOUSING ASSEMBLY	-	1	-
4	22509	CANTILEVER 9° ANGLED HOUSING ASSEMBLY	-	-	1
5	90770	SOCKET CAP SCREW M6X1 X 18mm LONG, FULLY THREADED + BLUE TREADLOCKER - BLACK ZINC	3	3	3
6*	91044	SECURITY SOCKET CAP SCREW M6X1 X 18mm LONG, FULLY THREADED + BLUE THREADLOCKER	1	1	1
7	99559	COLLAR LOCKWASHER 1_4	3	3	3

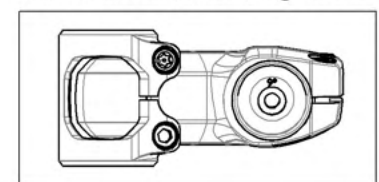
9003268
 Caster Mount, Short, Right, 0 DEG



9003269
 Caster Mount, Short, Right, 4.5 DEG



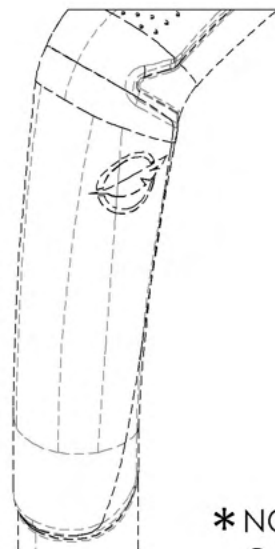
9003270
 Caster Mount, Short, Right, 9 DEG



MAKE SURE TO HAVE YOUR SERIAL NUMBER
 NEARBY WHEN ORDERING PARTS FOR YOUR
 MOTION COMPOSITES WHEELCHAIR

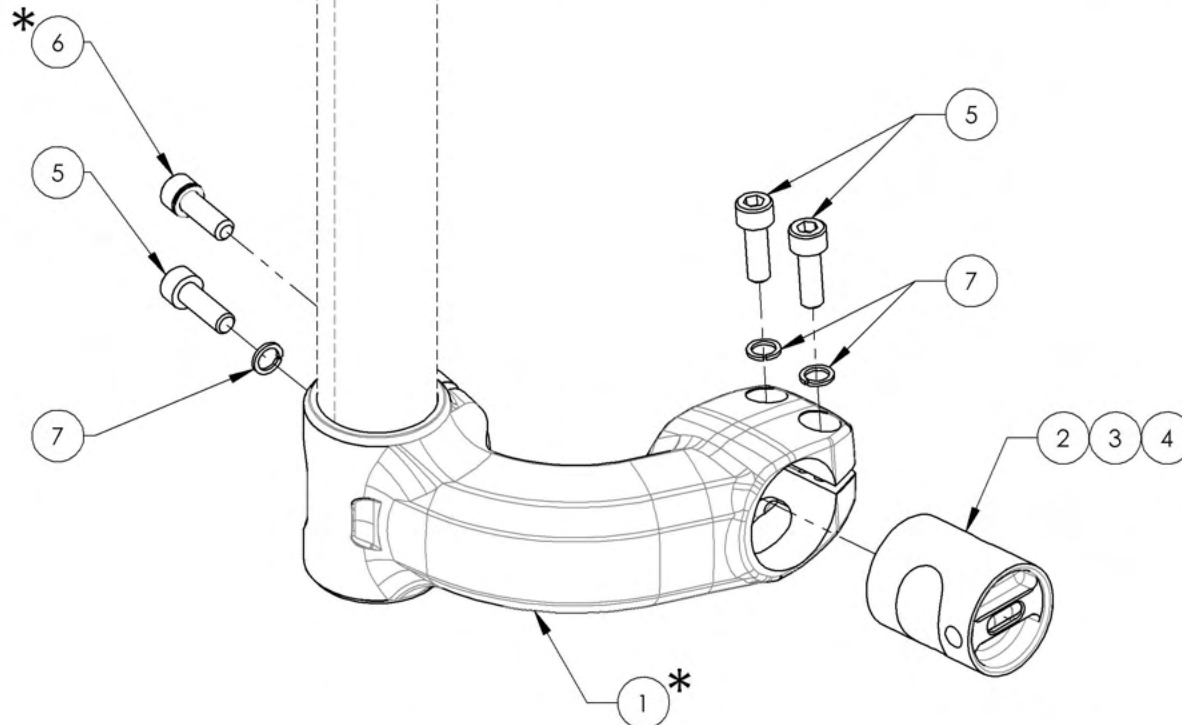
9003271_9003273
Caster Mount, Short, Left

ITEM NO.	PARTNO	DESCRIPTION	9003271 /QTY.	9003272 /QTY.	9003273 /QTY.
1*	22164	CASTER MOUNT 65mm, LEFT	1	1	1
2	22507	CANTILEVER 0° ANGLED HOUSING ASSEMBLY	1	-	-
3	22508	CANTILEVER 4.5° ANGLED HOUSING ASSEMBLY	-	1	-
4	22509	CANTILEVER 9° ANGLED HOUSING ASSEMBLY	-	-	1
5	90770	SOCKET CAP SCREW M6X1 X 18mm LONG, FULLY THREADED + BLUE TREADLOCKER - BLACK ZINC	3	3	3
6*	91044	SECURITY SOCKET CAP SCREW M6X1 X 18mm LONG, FULLY THREADED + BLUE THREADLOCKER	1	1	1
7	99559	COLLAR LOCKWASHER 1_4	3	3	3

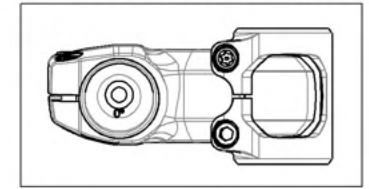


*** NOTE: SERVICE AND/OR REPLACEMENT FOR CASTER MOUNT IS DONE BY MOTION COMPOSITES**

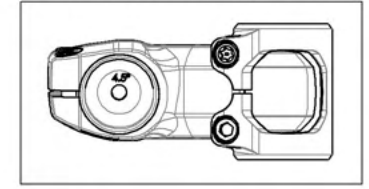
CONTACT OUR CUSTOMER SERVICE BEFORE TO ORDER CASTER MOUNT (#22164)
(PLEASE PROVIDE WHEELCHAIR SERIAL NUMBER)



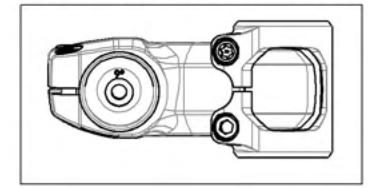
9003271
 Caster Mount, Short, Left, 0 DEG



9003272
 Caster Mount, Short, Left, 4.5 DEG

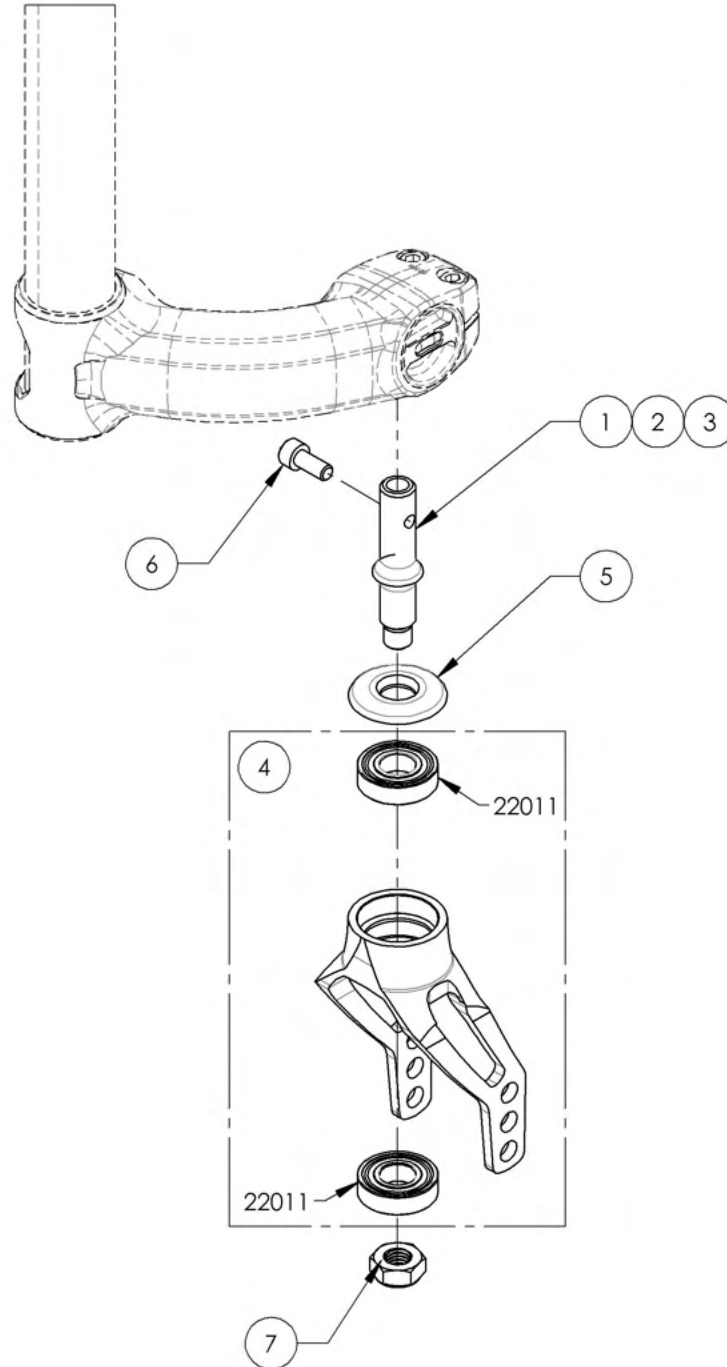


9003273
 Caster Mount, Short, Left, 9 DEG



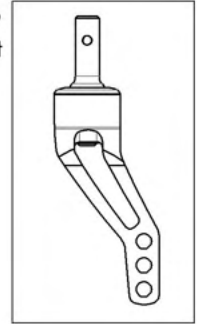
MAKE SURE TO HAVE YOUR SERIAL NUMBER NEARBY WHEN ORDERING PARTS FOR YOUR MOTION COMPOSITES WHEELCHAIR

9003229_9003231
Fork - Assembly with Stem Bolt

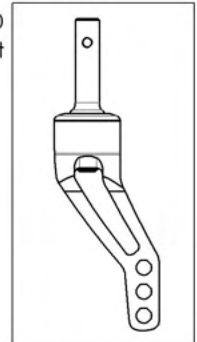


ITEM NO.	PARTNO	DESCRIPTION	9003229 /QTY.	9003230 /QTY.	9003231 /QTY.
1	22151	STRESS RELIEF STANDARD STEM BOLT	1	-	-
2	22143	STRESS RELIEF +0.5 STEM BOLT	-	1	-
3	22144	STRESS RELIEF +1 STEM BOLT	-	-	1
4	22520	INTEGRATED BEARING FORK - ASSEMBLY	1	1	1
5	22152	INTEGRATED BEARINGS FORK CAP	1	1	1
6	90767	SOCKET CAP SCREW M6X1 X 14mm LONG, FULLY THREADED + BLUE TREADLOCKER - BLACK ZINC	1	1	1
7	90991	M10 LOW NYLON LOCK	1	1	1

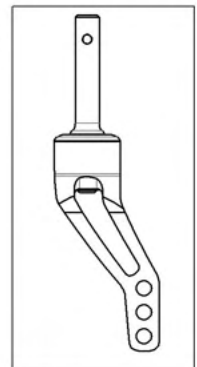
9003229
 Fork - Assembly with STD Stem Bolt



9003230
 Fork - Assembly with +0.5 in Stem Bolt

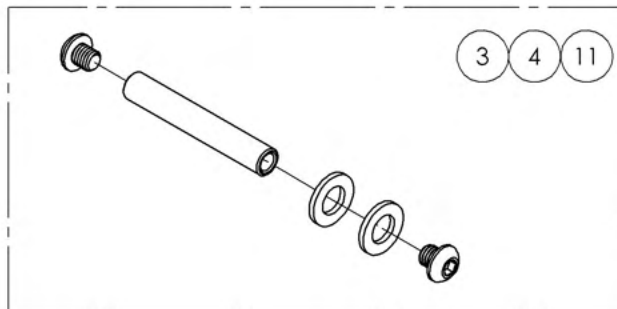
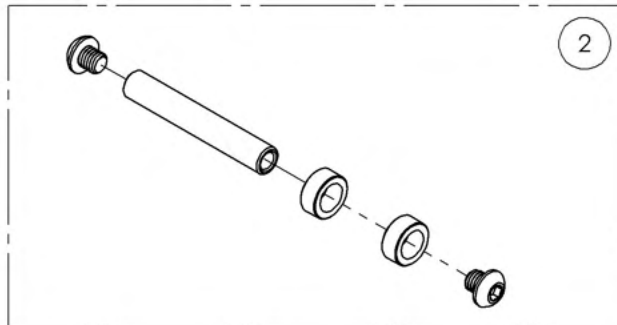
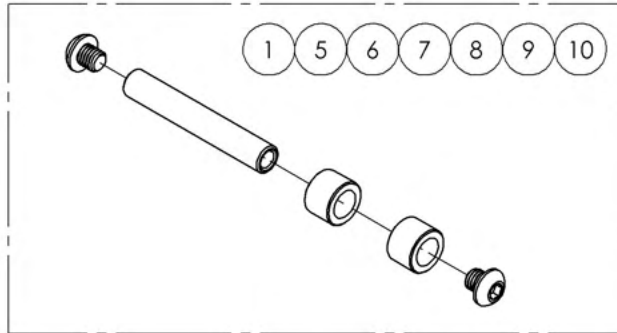


9003231
 Fork - Assembly with +1 in Stem Bolt



MAKE SURE TO HAVE YOUR SERIAL NUMBER NEARBY WHEN ORDERING PARTS FOR YOUR MOTION COMPOSITES WHEELCHAIR

**Front Wheels Catalogue
Integrated Bearing Fork Hardware**



ITEM NO.	PARTNO	DESCRIPTION	QTY.
1	9003240	Integrated Bearing Fork - Hardware For Composite Caster, 3x1 in	1
2	9003241	Integrated Bearing Fork - Hardware For Composite Caster, 4x1 in	1
3	9003242	Integrated Bearing Fork - Hardware For Composite Caster, 5x1 in	1
4	9003243	Integrated Bearing Fork - Hardware For Composite Caster, 6x1 in	1
5	9003246	Integrated Bearing Fork - Hardware For Newton Ultracaster, 4x1½ in	1
6	9003247	Integrated Bearing Fork - Hardware For Newton Ultracaster, 5x1½ in	1
7	9003248	Integrated Bearing Fork - Hardware For Newton Ultracaster, 6x1½ in	1
8	9003249	Integrated Bearing Fork - Hardware For Court Wheel Aluminium Caster, 4x1 in	1
9	9003250	Integrated Bearing Fork - Hardware For Court Wheel Aluminium Caster, 5x1 in	1
10	9003251	Integrated Bearing Fork - Hardware For Court Wheel Aluminium Caster, 6x1 in	1
11	9003252	Integrated Bearing Fork - Hardware For Pneumatic Caster, 6x1¼ in	1

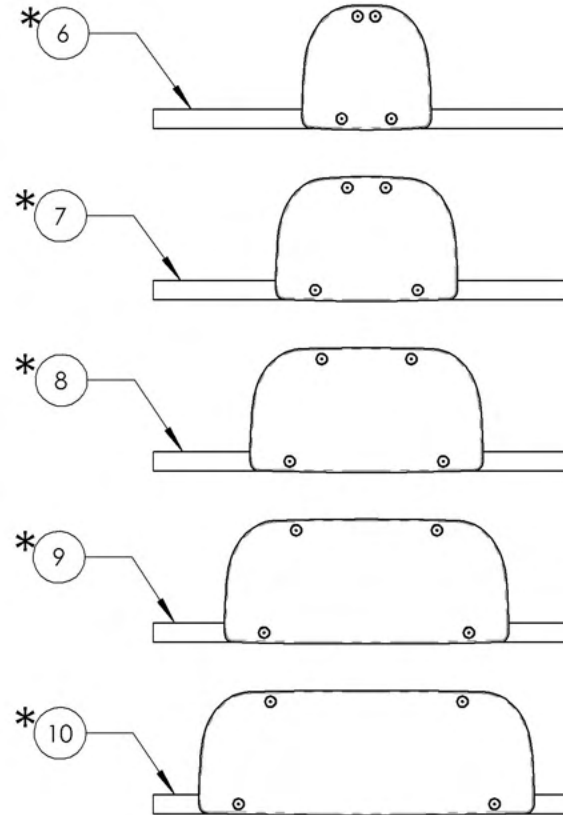
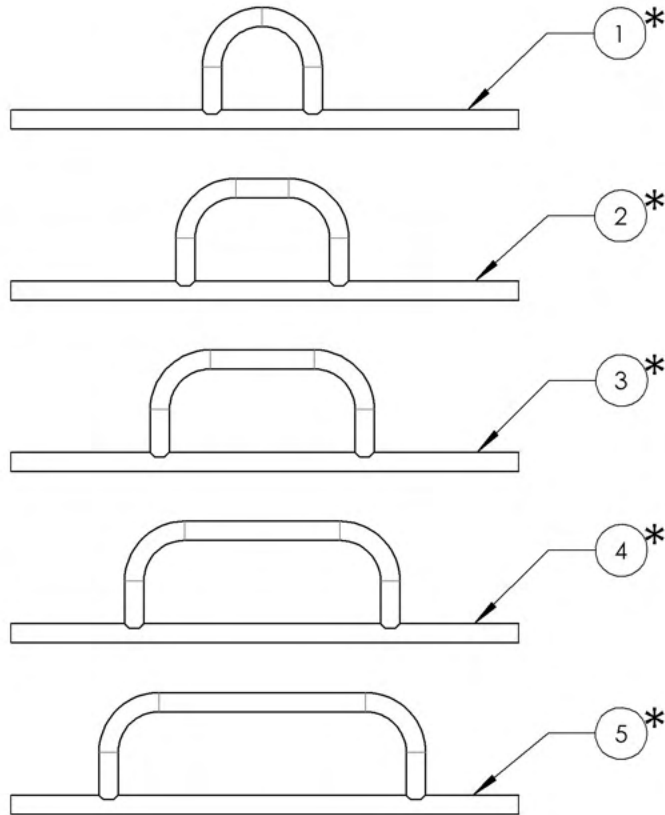
MAKE SURE TO HAVE YOUR SERIAL NUMBER
NEARBY WHEN ORDERING PARTS FOR YOUR
MOTION COMPOSITES WHEELCHAIR

Footrests Catalogue
Tubular Open Loop Footplates

*NOTE: PLEASE CONTACT OUR CUSTOMER SERVICE BEFORE TO ORDER ONE OF THE TUBULAR OPEN LOOP FOOTPLATES (#9003375 to #9003385)

COMPONENT MUST BE MACHINED BY MOTION COMPOSITES BASED ON WHEELCHAIR SPECS
(PLEASE PROVIDE WHEELCHAIR SERIAL NUMBER)

ITEM NO.	PARTNO	DESCRIPTION	QTY
1*	9003375	Footplate - Aluminium, Tubular Open Loop Structure, 4 x 4.75 in (Specify Wheelchair Serial Number)	1
2*	9003376	Footplate - Aluminium, Tubular Open Loop Structure, 6 x 4.75 in (Specify Wheelchair Serial Number)	1
3*	9003377	Footplate - Aluminium, Tubular Open Loop Structure, 8 x 4.75 in (Specify Wheelchair Serial Number)	1
4*	9003378	Footplate - Aluminium, Tubular Open Loop Structure, 10 x 4.75 in (Specify Wheelchair Serial Number)	1
5*	9003379	Footplate - Aluminium, Tubular Open Loop Structure, 12 x 4.75 in (Specify Wheelchair Serial Number)	1
6*	9003381	Footplate - Aluminium, Tubular Open Loop Structure, With ABS Cover, 4 x 4.75 in (Specify Wheelchair Serial Number)	1
7*	9003382	Footplate - Aluminium, Tubular Open Loop Structure, With ABS Cover, 6 x 4.75 in (Specify Wheelchair Serial Number)	1
8*	9003383	Footplate - Aluminium, Tubular Open Loop Structure, With ABS Cover, 8 x 4.75 in (Specify Wheelchair Serial Number)	1
9*	9003384	Footplate - Aluminium, Tubular Open Loop Structure, With ABS Cover, 10 x 4.75 in (Specify Wheelchair Serial Number)	1
10*	9003385	Footplate - Aluminium, Tubular Open Loop Structure, With ABS Cover, 12 x 4.75 in (Specify Wheelchair Serial Number)	1



MAKE SURE TO HAVE YOUR SERIAL NUMBER NEARBY WHEN ORDERING PARTS FOR YOUR MOTION COMPOSITES WHEELCHAIR

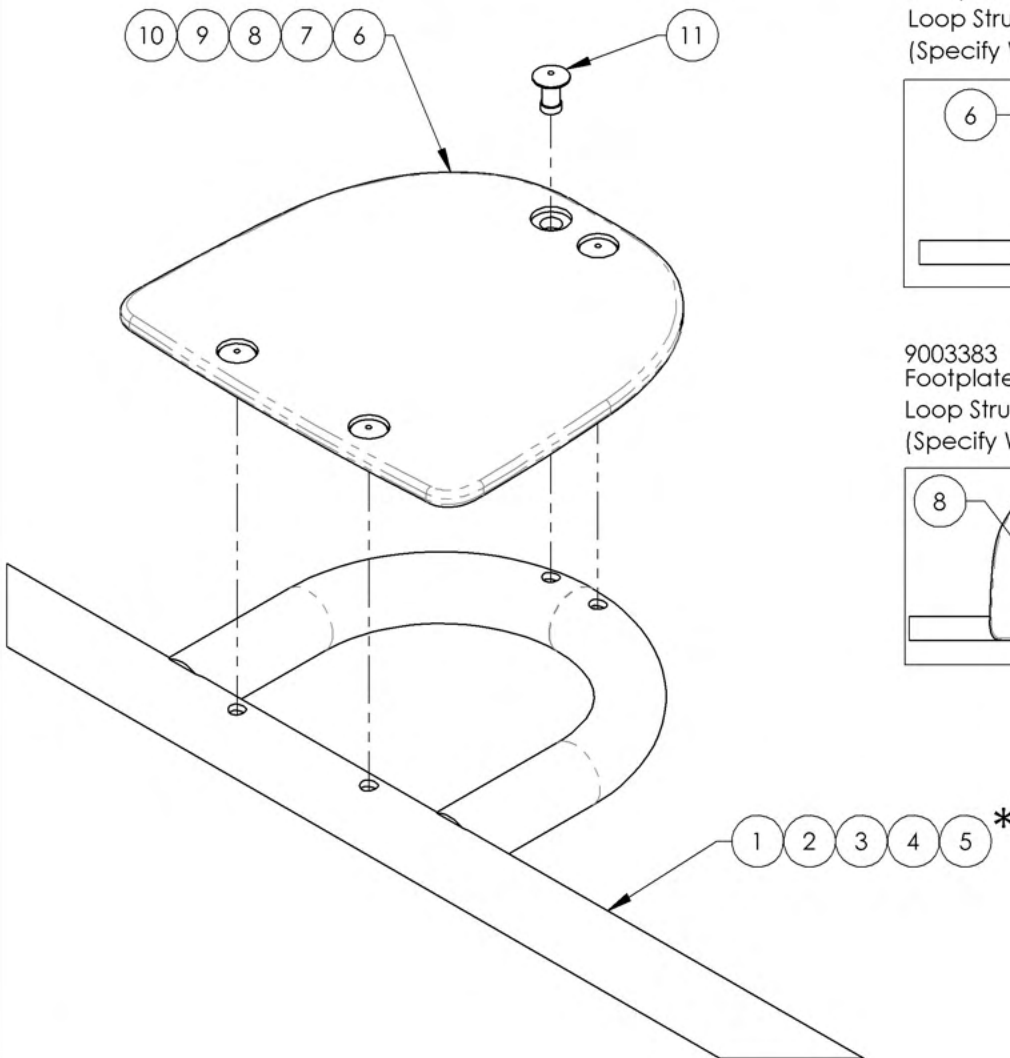
9003381_9003385

Footplate - Aluminium, Tubular Open Loop Structure, With ABS Cover (Specify Wheelchair Serial Number)

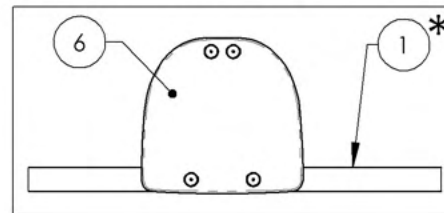
*NOTE: PLEASE CONTACT OUR CUSTOMER SERVICE BEFORE TO ORDER ONE OF THE TUBULAR OPEN LOOP STRUCTURES (#31255 to #31259)

COMPONENT MUST BE MACHINED BY MOTION COMPOSITES BASED ON WHEELCHAIR SPECS (PLEASE PROVIDE WHEELCHAIR SERIAL NUMBER)

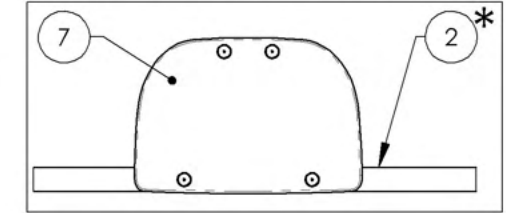
ITEM NO.	PARTNO	DESCRIPTION	9003381 /QTY.	9003382 /QTY.	9003383 /QTY.	9003384 /QTY.	9003385 /QTY.
1*	31255	4IN OPEN LOOP PLATFORM ALUMINIUM STRUCTURE	1	-	-	-	-
2*	31256	6IN OPEN LOOP PLATFORM ALUMINIUM STRUCTURE	-	1	-	-	-
3*	31257	8IN OPEN LOOP PLATFORM ALUMINIUM STRUCTURE	-	-	1	-	-
4*	31258	10IN OPEN LOOP PLATFORM ALUMINIUM STRUCTURE	-	-	-	1	-
5*	31259	12IN OPEN LOOP PLATFORM ALUMINIUM STRUCTURE	-	-	-	-	1
6	31270	RIVETED COMPOSITES PLATFORM FOOTPLATE 4in	1	-	-	-	-
7	31271	RIVETED COMPOSITES PLATFORM FOOTPLATE 6in	-	1	-	-	-
8	31272	RIVETED COMPOSITES PLATFORM FOOTPLATE 8in	-	-	1	-	-
9	31273	RIVETED COMPOSITES PLATFORM FOOTPLATE 10in	-	-	-	1	-
10	31274	RIVETED COMPOSITES PLATFORM FOOTPLATE 12in	-	-	-	-	1
11	91051	ALUMINIUM BLIND RIVET, BLACK, OD 3_16, LG 0.5 in	4	4	4	4	4



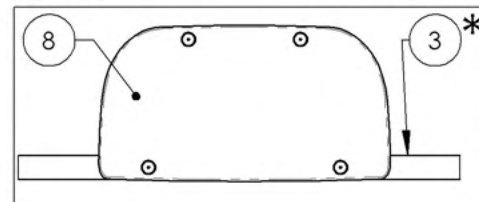
9003381
Footplate - Aluminium, Tubular Open Loop Structure, With ABS Cover, 4 x 4.75 in (Specify Wheelchair Serial Number)



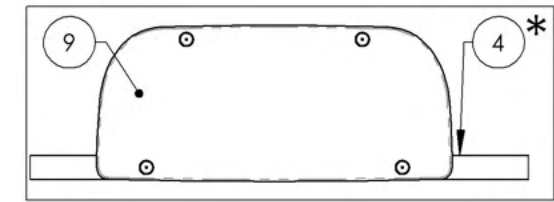
9003382
Footplate - Aluminium, Tubular Open Loop Structure, With ABS Cover, 6 x 4.75 in (Specify Wheelchair Serial Number)



9003383
Footplate - Aluminium, Tubular Open Loop Structure, With ABS Cover, 8 x 4.75 in (Specify Wheelchair Serial Number)



9003384
Footplate - Aluminium, Tubular Open Loop Structure, With ABS Cover, 10 x 4.75 in (Specify Wheelchair Serial Number)



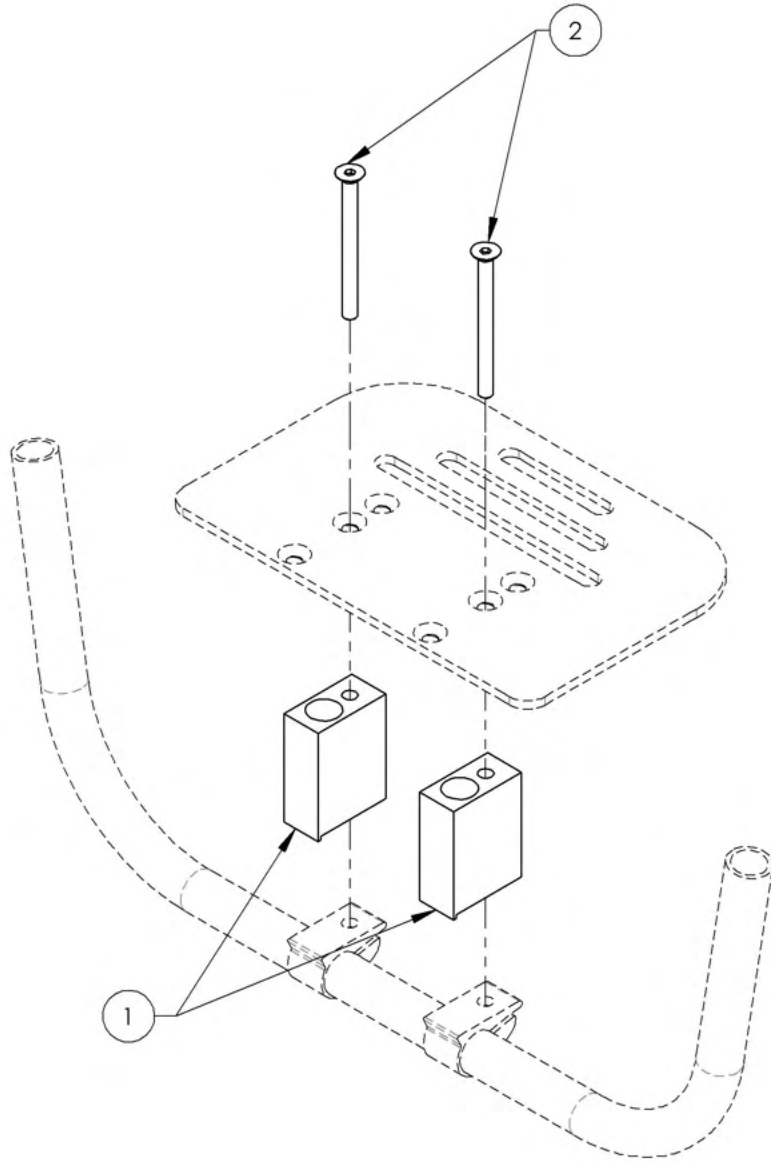
9003385
Footplate - Aluminium, Tubular Open Loop Structure, With ABS Cover, 12 x 4.75 in (Specify Wheelchair Serial Number)



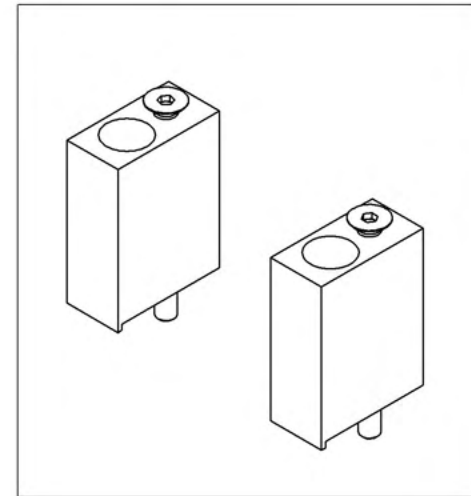
MAKE SURE TO HAVE YOUR SERIAL NUMBER NEARBY WHEN ORDERING PARTS FOR YOUR MOTION COMPOSITES WHEELCHAIR

9003411
Footplate - Riser for Aluminum Angle Adjustable Footplates, 2 in Height

ITEM NO.	PARTNO	DESCRIPTION	9002933/ QTY.
1	31010	FOOTREST RISER 2 in	2
2	90878	FLAT HEAD CAP SCREW M6X1 X 70mm LONG, 18mm THREADED + BLUE THREADLOCKER - BLACK ZINC	2



AVAILABLE ONLY WITH ALUMINUM
 ONE PIECE FOOTPLATES

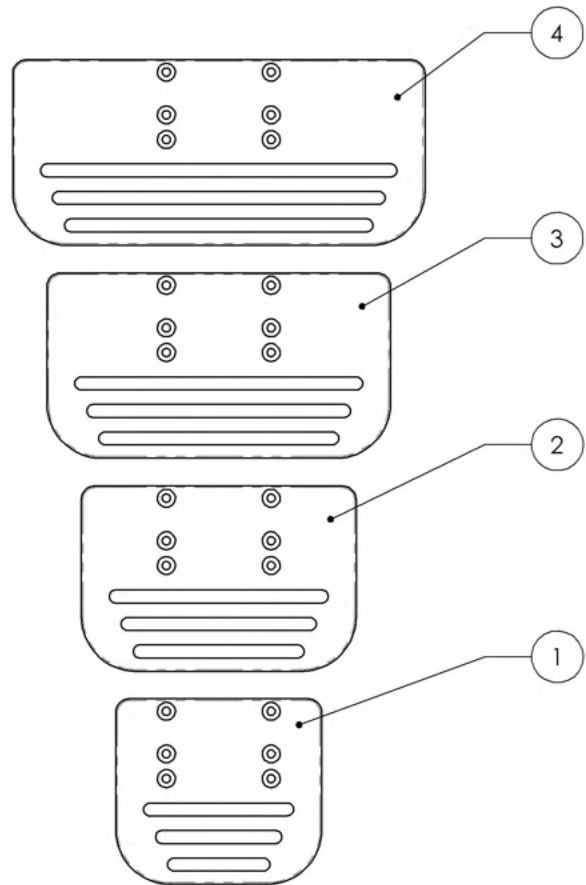


MAKE SURE TO HAVE YOUR SERIAL NUMBER
 NEARBY WHEN ORDERING PARTS FOR YOUR
 MOTION COMPOSITES WHEELCHAIR

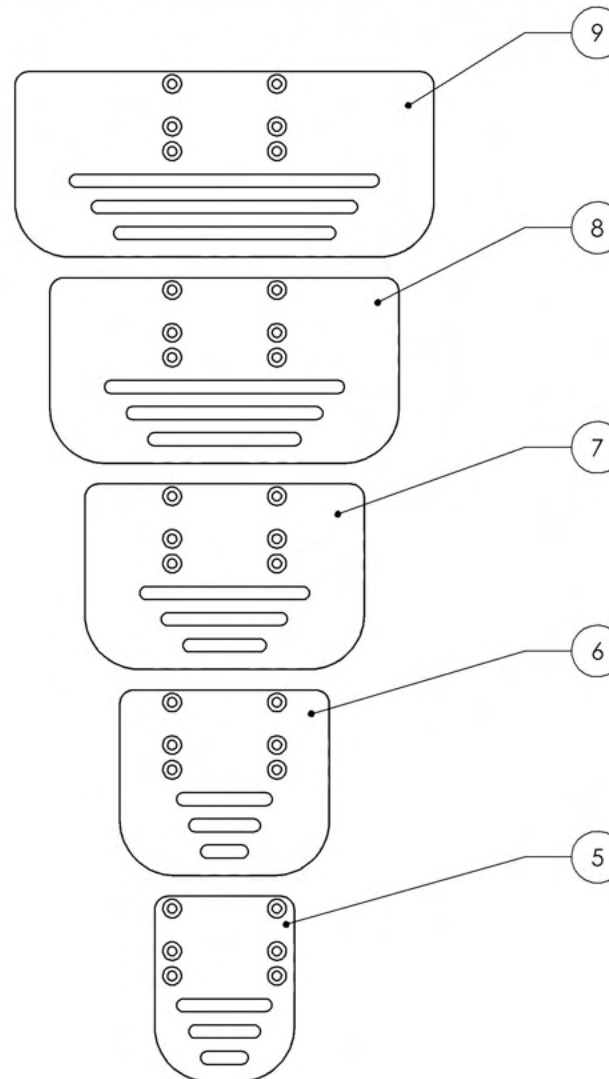
Footrests Catalogue
One Piece Footplates

ITEM NO.	PARTNO	DESCRIPTION	QTY.
1	9007665	Footplate - Carbon, One Piece, 6 x 5½ in (Wheelchair Width: 14 to 16 in)	1
2	9007666	Footplate - Carbon, One Piece, 8 x 5½ in (Wheelchair Width: 17 to 18 in)	1
3	9007667	Footplate - Carbon, One Piece, 10 x 5½ in (Wheelchair Width: 19 to 22 in)	1
4	9007668	Footplate - Carbon, One Piece, 12 x 5½ in (Wheelchair Width: 19 to 22 in)	1
5	9007660	Footplate - Aluminum, One Piece, 4 x 5½ in (For Special Config Only)	1
6	9007661	Footplate - Aluminum, One Piece, 6 x 5½ in (Wheelchair Width: 14 to 16 in)	1
7	9007662	Footplate - Aluminum, One Piece, 8 x 5½ in (Wheelchair Width: 17 to 18 in)	1
8	9007663	Footplate - Aluminum, One Piece, 10 x 5½ in (Wheelchair Width: 19 to 22 in)	1
9	9007664	Footplate - Aluminum, One Piece, 12 x 5½ in (Wheelchair Width: 12 to 13 in)	1

ONE PIECE CARBON FOOTPLATES



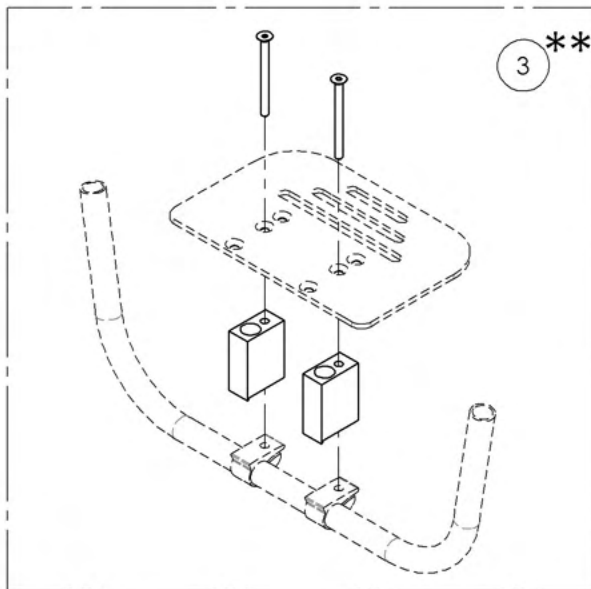
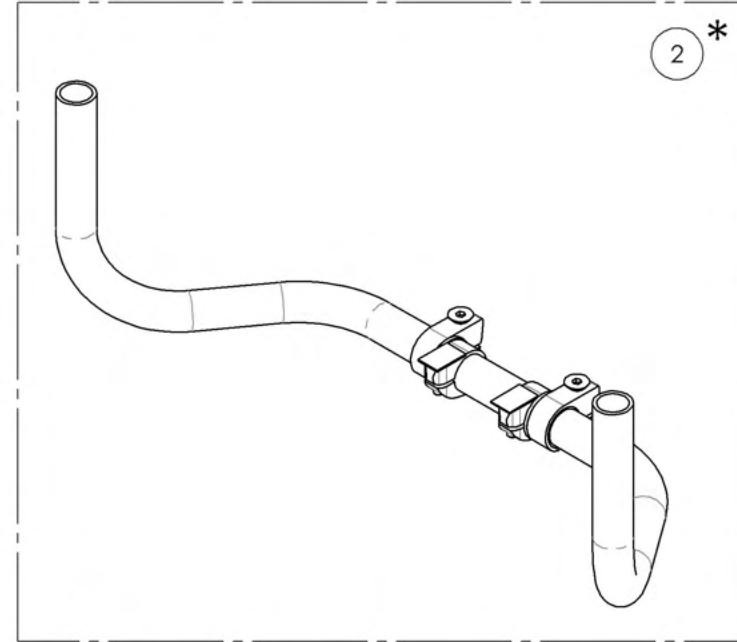
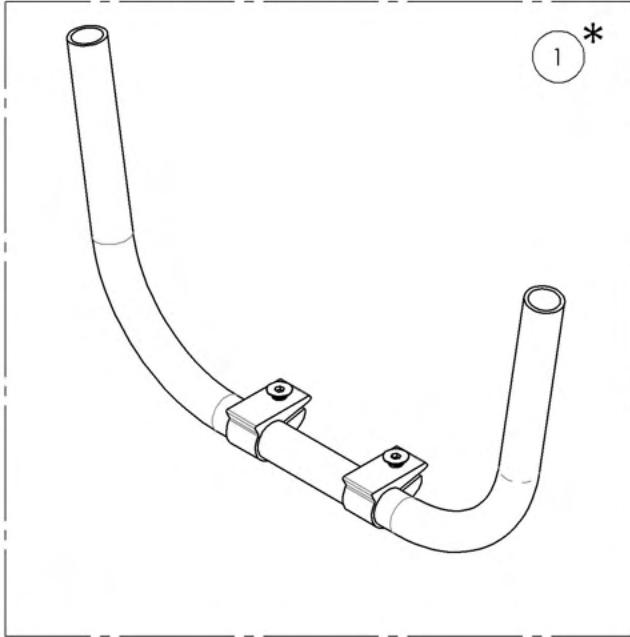
ONE PIECE ALUMINUM FOOTPLATES



MAKE SURE TO HAVE YOUR SERIAL NUMBER
 NEARBY WHEN ORDERING PARTS FOR YOUR
 MOTION COMPOSITES WHEELCHAIR

Footrests Catalogue
One Piece Footplate Structures

ITEM NO.	PARTNO	DESCRIPTION	QTY
1*	9007801	Structure - One Piece Footplate (Specify Serial Number)	1
2*	9007802	Structure - Flip Back, One Piece Footplate (Specify Serial Number)	1
3	9003411	Footplate - Riser for Aluminum Angle Adjustable Footplates, 2 in Height	1



*NOTE: PLEASE CONTACT OUR CUSTOMER SERVICE BEFORE TO ORDER ANY OF THE ONE PIECE FOOTPLATE STRUCTURES (#9007801 & #9007802)

COMPONENT MUST BE MACHINED BY MOTION COMPOSITES BASED ON WHEELCHAIR SPECS
(PLEASE PROVIDE WHEELCHAIR SERIAL NUMBER)

**NOTE: ONLY AVAILABLE WITH ALUMINUM ONE PIECE FOOTPLATES (SEE #9007660 TO #9007664)

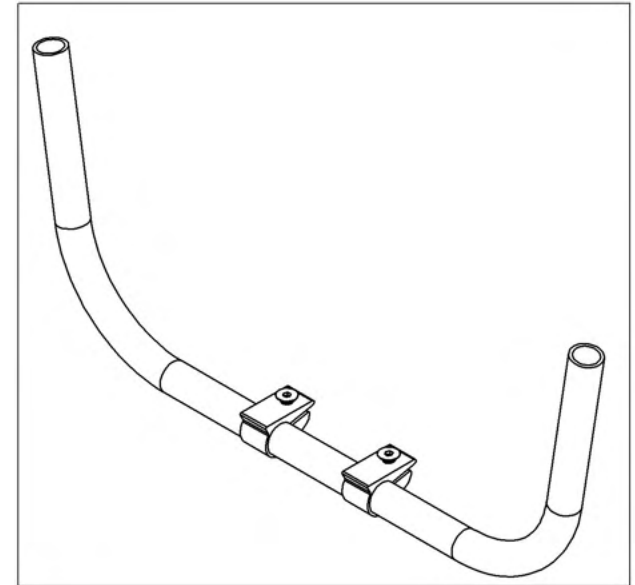
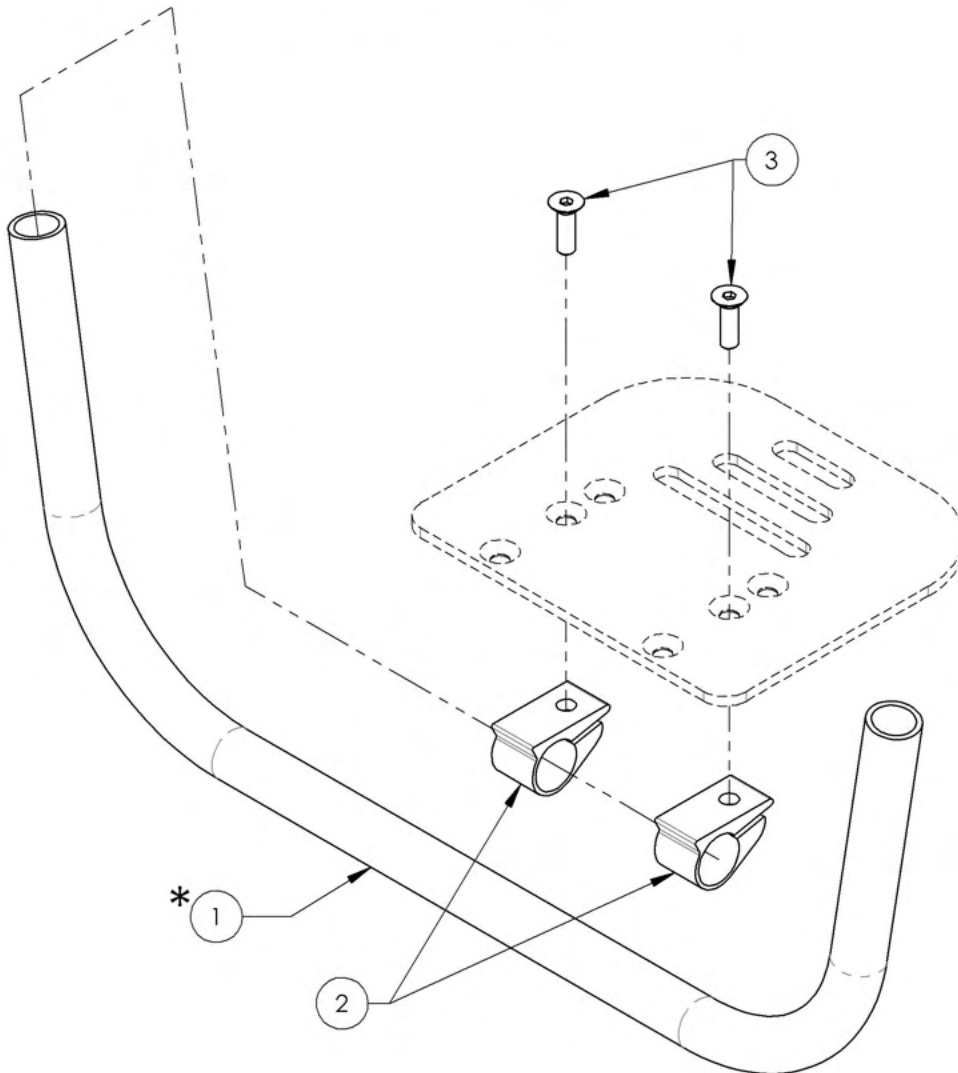
MAKE SURE TO HAVE YOUR SERIAL NUMBER NEARBY WHEN ORDERING PARTS FOR YOUR MOTION COMPOSITES WHEELCHAIR

9007801
Structure - One Piece Footplate (Specify Serial Number)

ITEM NO.	PARTNO	DESCRIPTION	9007801 /QTY.
1*	31261	STD & FLIPBACK FOOTPLATE STRUCTURE	1
2	31116	ANGLE ADJUSTABLE FOOTPLATE CLAMP	2
3	90868	FLAT HEAD CAP SCREW M6X1 X 20mm LONG, FULLY THREADED + BLUE THREADLOCKER - BLACK ZINC	2

*NOTE: PLEASE CONTACT OUR CUSTOMER SERVICE BEFORE TO ORDER FOOTPLATE STRUCTURE (#31261)

COMPONENT MUST BE MACHINED BY MOTION COMPOSITES BASED ON WHEELCHAIR SPECS
(PLEASE PROVIDE WHEELCHAIR SERIAL NUMBER)



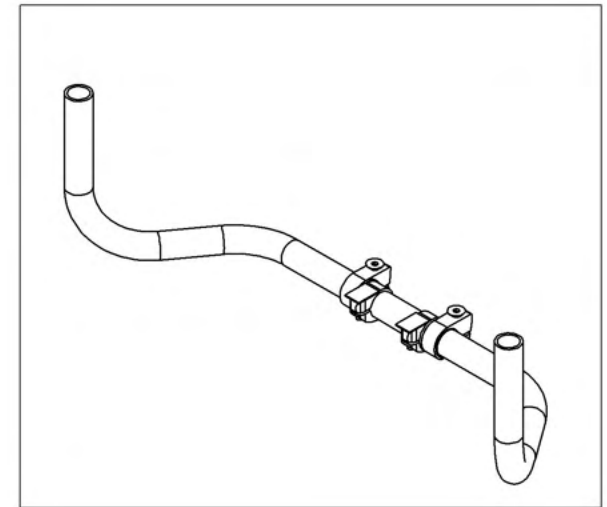
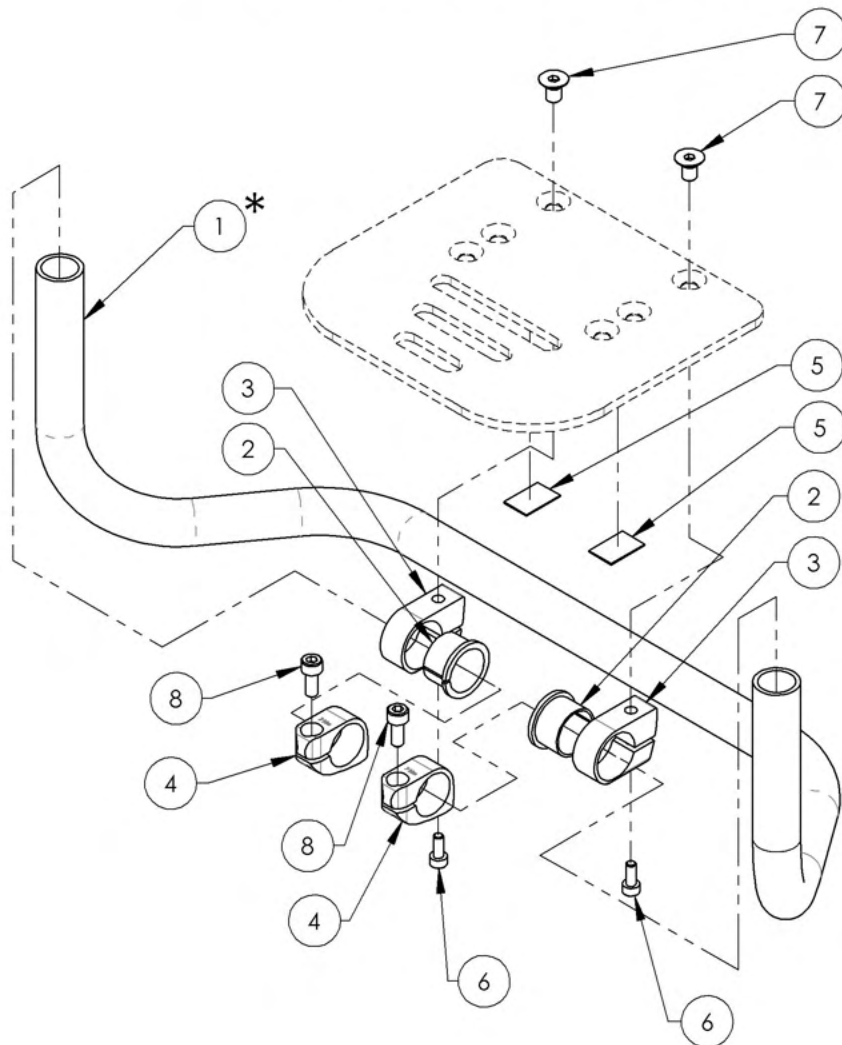
MAKE SURE TO HAVE YOUR SERIAL NUMBER NEARBY WHEN ORDERING PARTS FOR YOUR MOTION COMPOSITES WHEELCHAIR

9007802
Structure - Flip Back, One Piece Footplate (Specify Serial Number)

*NOTE: PLEASE CONTACT OUR CUSTOMER SERVICE BEFORE TO ORDER THE FLIP BACK STRUCTURES (#31261)

COMPONENT MUST BE MACHINED BY MOTION COMPOSITES BASED ON WHEELCHAIR SPECS
(PLEASE PROVIDE WHEELCHAIR SERIAL NUMBER)

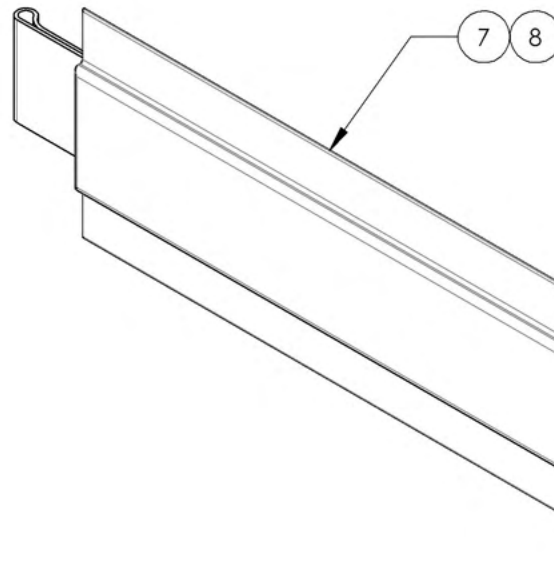
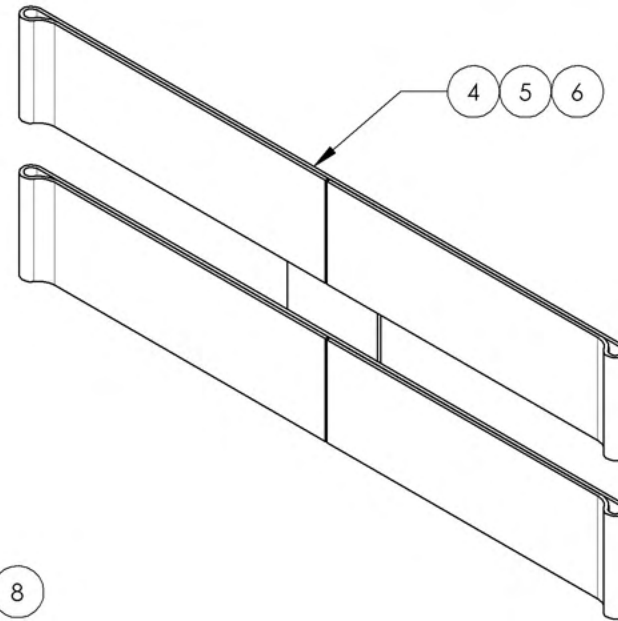
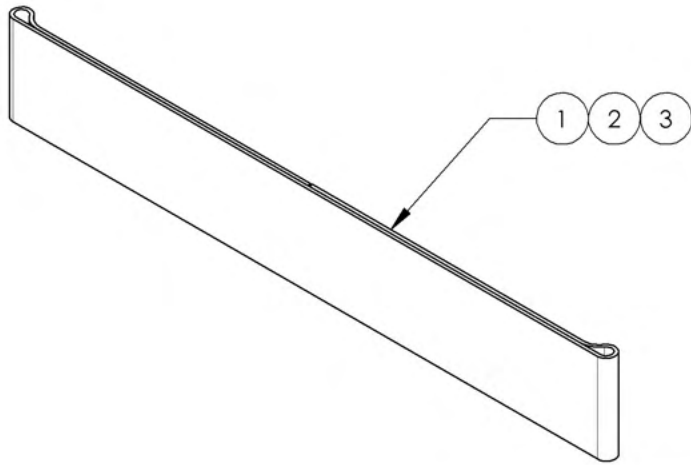
ITEM NO.	PARTNO	DESCRIPTION	9007802 /QTY.
1*	31261	STD & FLIPBACK FOOTPLATE STRUCTURE	1
2	31262	FLANGED SLEEVE	2
3	31263	PIVOT CLAMP	2
4	31264	ANGLE ADJUSTMENT CLAMP	2
5	31265	UHMW ADHESIVE TAPE	2
6	90724	SOCKET CAP SCREW M4X0.7 X 10mm LONG, FULLY THREADED + BLUE TREADLOCKER - BLACK ZINC	2
7	90863	FLAT HEAD CAP SCREW M6X1 X 10mm LONG, FULLY THREADED + BLUE THREADLOCKER - BLACK ZINC	2
8	90744	SOCKET CAP SCREW M5X0.8 X 12mm LONG, FULLY THREADED + BLUE TREADLOCKER - BLACK ZINC	2



MAKE SURE TO HAVE YOUR SERIAL NUMBER NEARBY WHEN ORDERING PARTS FOR YOUR MOTION COMPOSITES WHEELCHAIR

**Footrests Catalogue
Calf Straps**

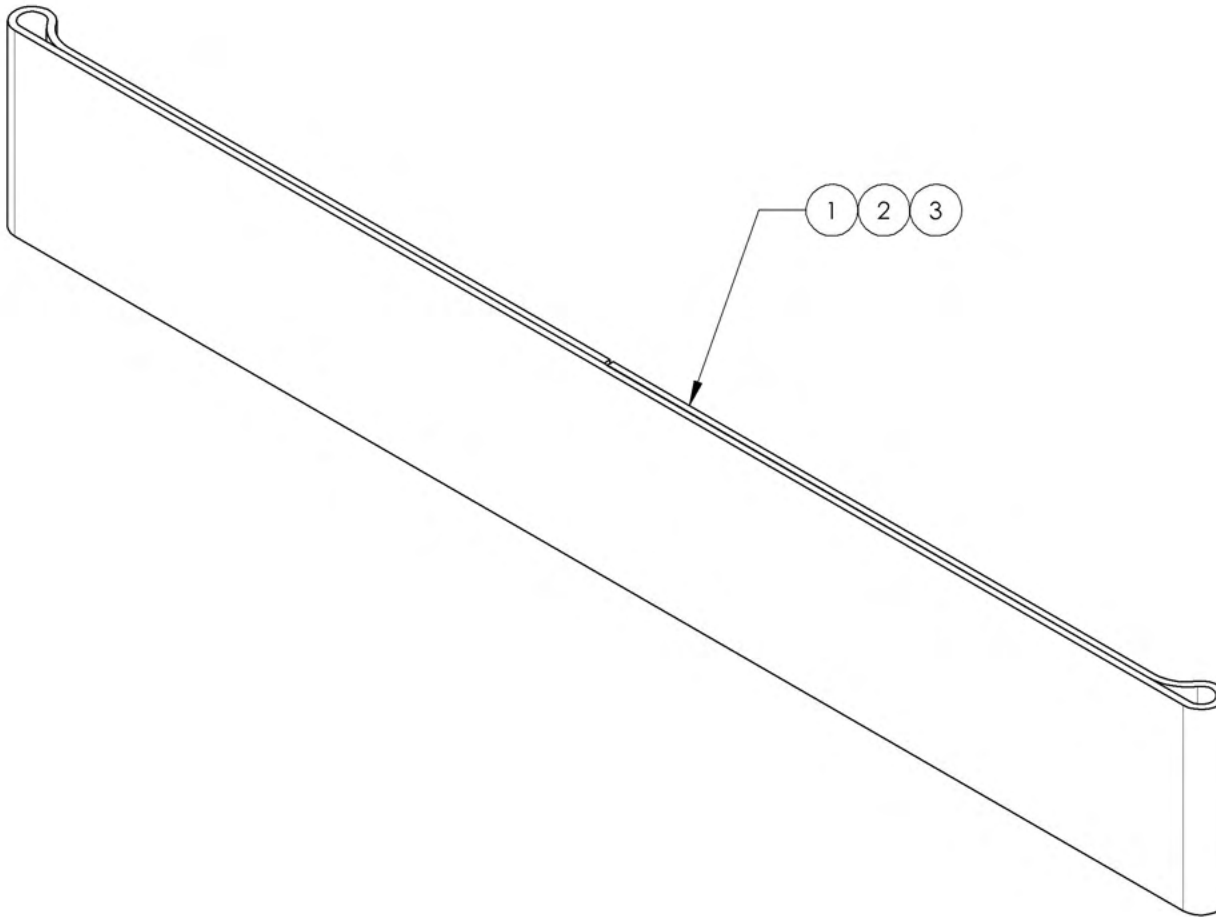
ITEM NO.	PARTNO	DESCRIPTION	QTY.
1	9001068	Calf Strap - Non Padded (Wheelchair Width: 12 to 14 in)	1
2	9001412	Calf Strap - Non Padded (Wheelchair Width: 15 to 17 in)	1
3	9001413	Calf Strap - Non Padded (Wheelchair Width: 18 to 22 in)	1
4	9001580	Calf Strap - Double, Non-Padded (Wheelchair Width: 12 to 14 in)	1
5	9002140	Calf Strap - Double, Non-Padded (Wheelchair Width: 15 to 17 in)	1
6	9002141	Calf Strap - Double, Non-Padded (Wheelchair Width: 18 to 22 in)	1
7	9001414	Calf Strap - Padded (Wheelchair Width: 15 to 17 in)	1
8	9001415	Calf Strap - Padded (Wheelchair Width: 18 to 22 in)	1



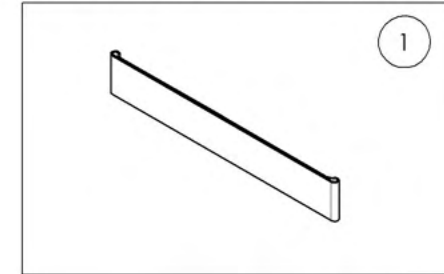
MAKE SURE TO HAVE YOUR SERIAL NUMBER
NEARBY WHEN ORDERING PARTS FOR YOUR
MOTION COMPOSITES WHEELCHAIR

9001068 & 9001412_9001413
Calf Straps - Non Padded

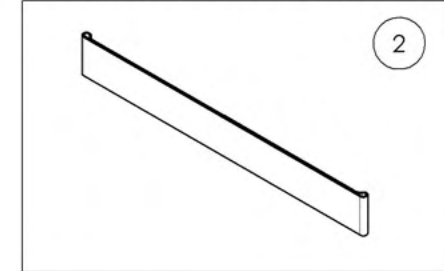
ITEM NO.	PARTNO	DESCRIPTION	9001068 /QTY.	9001412 /QTY.	9001413 /QTY.
1	31159	SIMPLE CALF STRAP 12-14 in	1	-	-
2	31046	SIMPLE CALF STRAP 15-17 in	-	1	-
3	31047	SIMPLE CALF STRAP 18-22 in	-	-	1



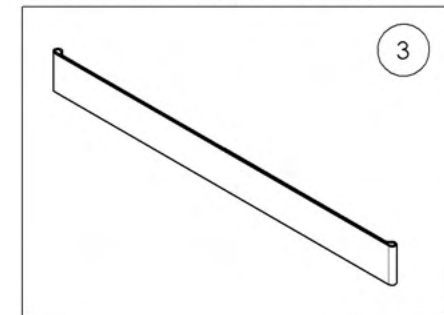
9001068
 Calf Strap - Non Padded
 (Wheelchair Width: 12 to 14 in)



9001412
 Calf Strap - Non Padded
 (Wheelchair Width: 15 to 17 in)



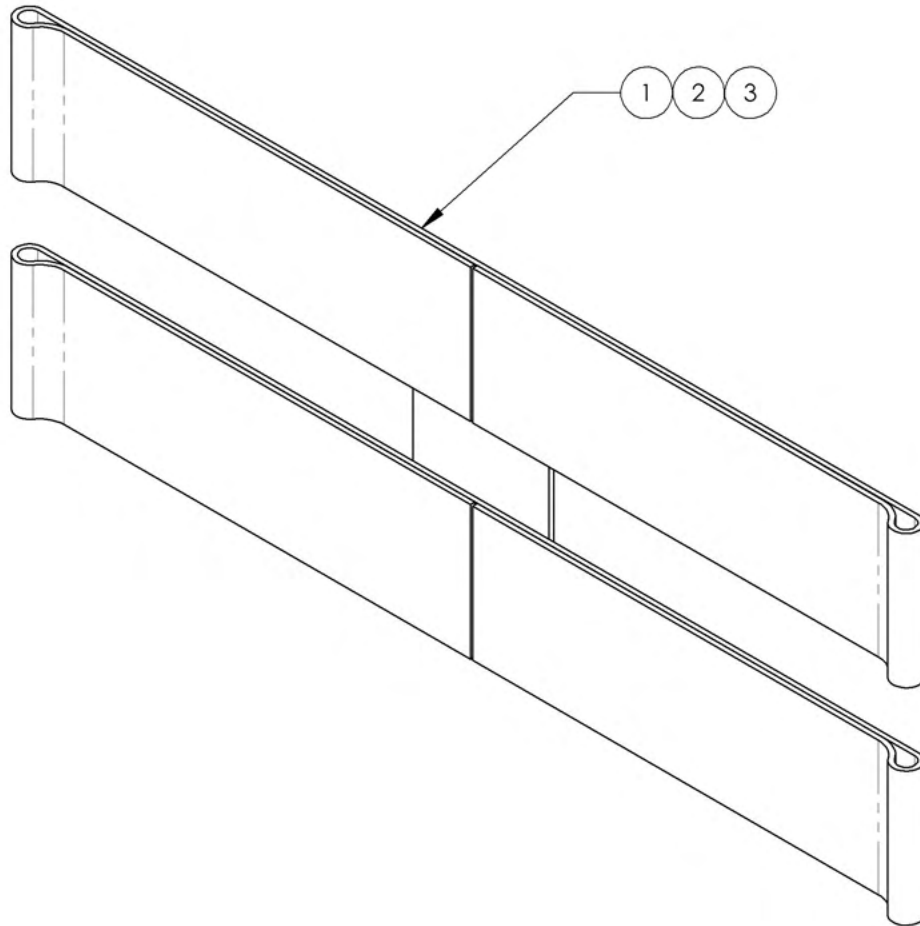
9001413
 Calf Strap - Non Padded
 (Wheelchair Width: 18 to 22 in)



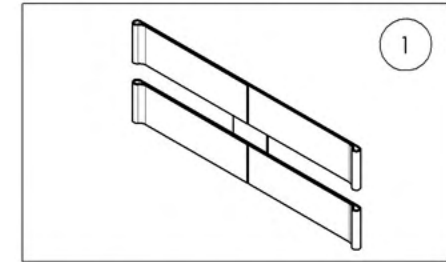
MAKE SURE TO HAVE YOUR SERIAL NUMBER
 NEARBY WHEN ORDERING PARTS FOR YOUR
 MOTION COMPOSITES WHEELCHAIR

9001580 & 9002140 9002141
Calf Strap - Double, Non-Padded

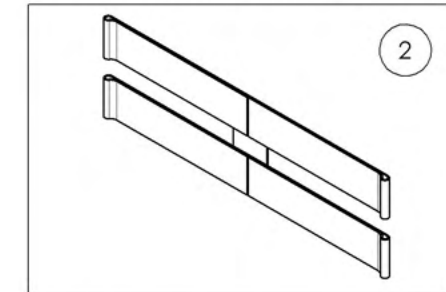
ITEM NO.	PARTNO	DESCRIPTION	9001580 /QTY.	9002140 /QTY.	9002141 /QTY.
1	31293	DOUBLE CALF STRAP 12-14 in	1	-	-
2	31281	DOUBLE CALF STRAP 15-17 in	-	1	-
3	31282	DOUBLE CALF STRAP 18-22 in	-	-	1



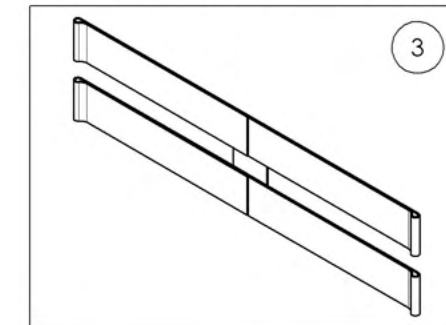
9001580
 Calf Strap - Double, Non-Padded
 (Wheelchair Width: 12 to 14 in)



9002140
 Calf Strap - Double, Non-Padded
 (Wheelchair Width: 15 to 17 in)



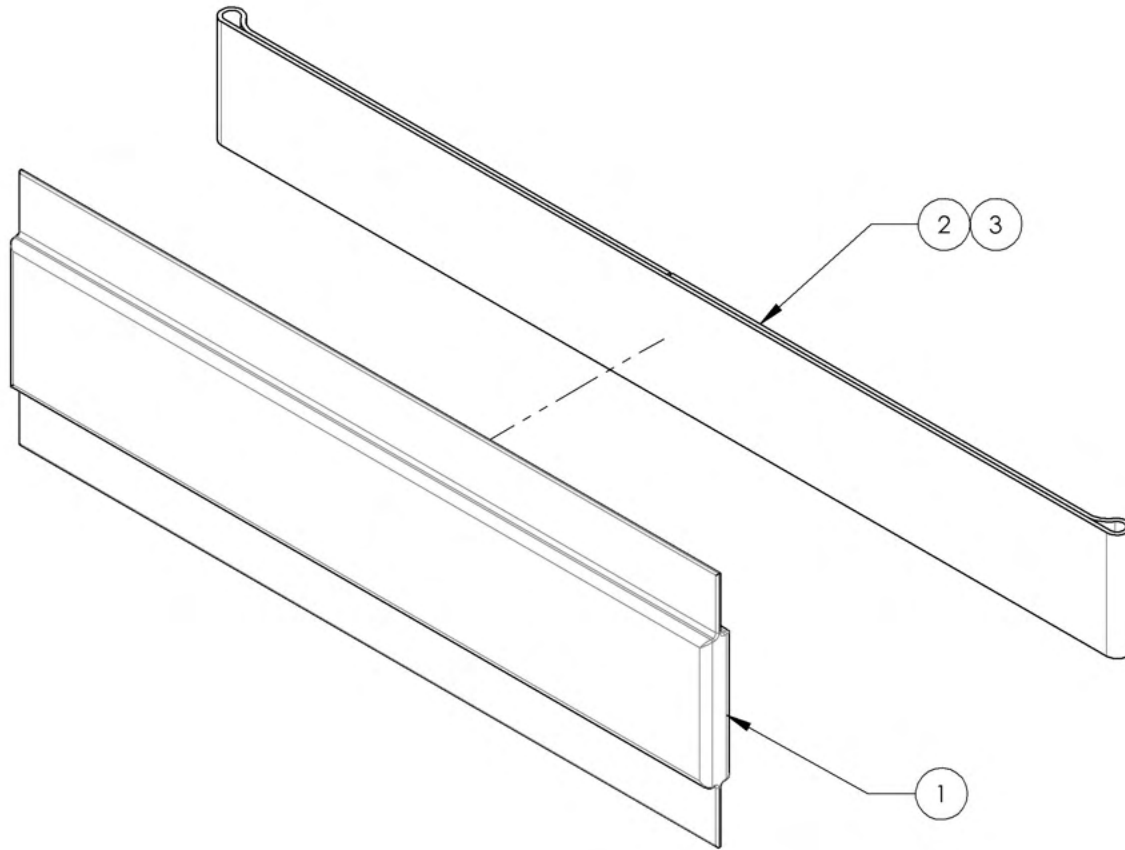
9002141
 Calf Strap - Double, Non-Padded
 (Wheelchair Width: 18 to 22 in)



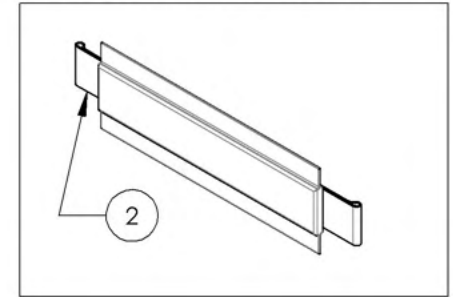
MAKE SURE TO HAVE YOUR SERIAL NUMBER
 NEARBY WHEN ORDERING PARTS FOR YOUR
 MOTION COMPOSITES WHEELCHAIR

9001414_9001415
Calf Straps - Padded

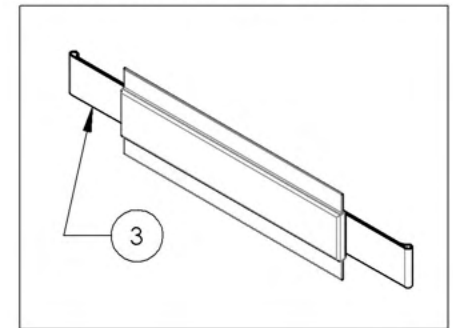
ITEM NO.	PARTNO	DESCRIPTION	9001414 /QTY.	9001415 /QTY.
1	31061	PADDED CALF PAD	1	1
2	31046	SIMPLE CALF STRAP 15-17 in	1	-
3	31047	SIMPLE CALF STRAP 18-22 in	-	1



9001414
 Calf Strap - Padded
 (Wheelchair Width: 15 to 17 in)



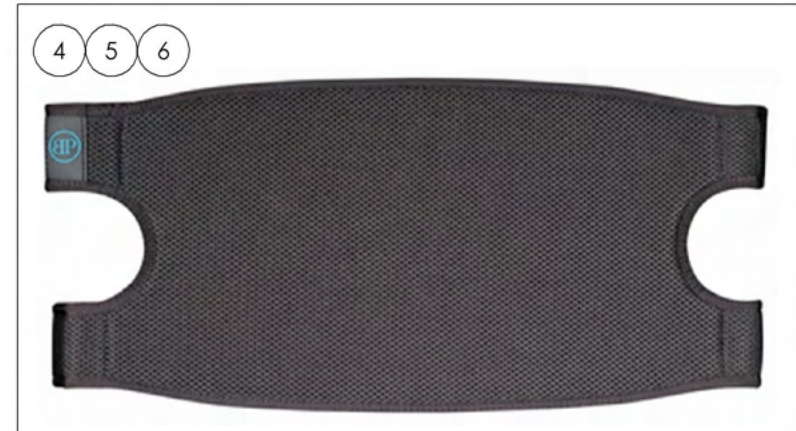
9001415
 Calf Strap - Padded
 (Wheelchair Width: 18 to 22 in)



MAKE SURE TO HAVE YOUR SERIAL NUMBER
 NEARBY WHEN ORDERING PARTS FOR YOUR
 MOTION COMPOSITES WHEELCHAIR

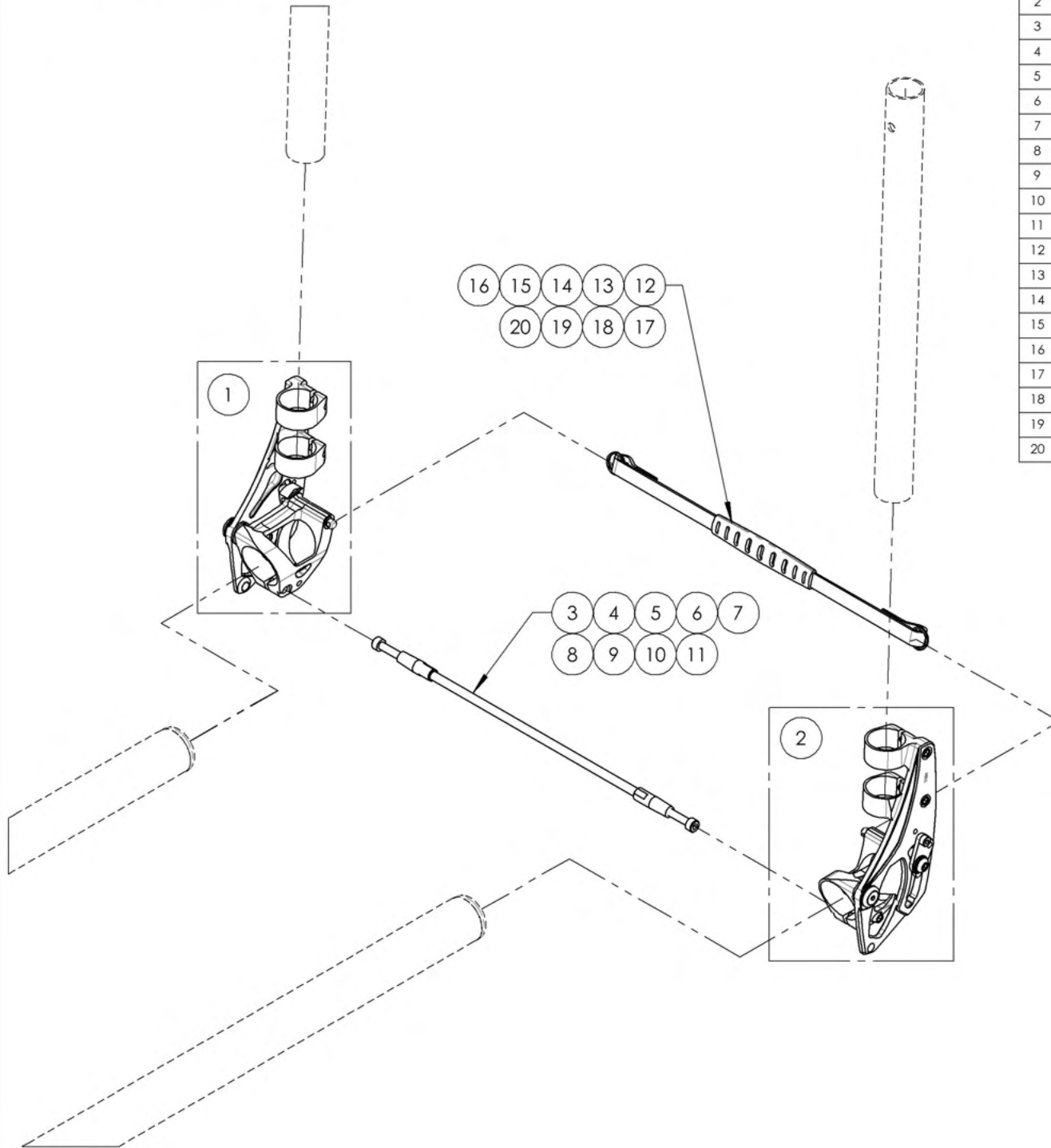
Footrests Catalogue
Bodypoint Aeromesh Calf Supports

ITEM NO.	PARTNO	DESCRIPTION	QTY
1	9007795	Calf Strap - Bodypoint Aeromesh, Small (Width: 12 to 16 in) (30.4 to 40.6 cm)	1
2	9007796	Calf Strap - Bodypoint Aeromesh, Medium (Width: 17 to 20 in) (43.2 to 50.8 cm)	1
3	9007797	Calf Strap - Bodypoint Aeromesh, Large (Width: 21 to 24 in) (53.3 to 61 cm)	1
4	9007798	Calf Panel - Bodypoint Aeromesh, Small (Width: 12 to 16 in) (30.4 to 40.6 cm)	1
5	9007799	Calf Panel - Bodypoint Aeromesh, Medium (Width: 17 to 20 in) (43.2 to 50.8 cm)	1
6	9007800	Calf Panel - Bodypoint Aeromesh, Large (Width: 21 to 24 in) (53.3 to 61 cm)	1

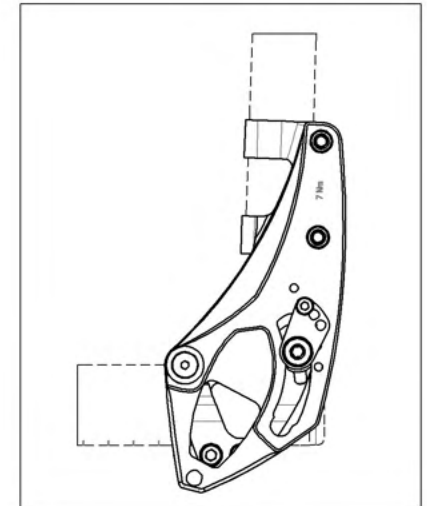


MAKE SURE TO HAVE YOUR SERIAL NUMBER
 NEARBY WHEN ORDERING PARTS FOR YOUR
 MOTION COMPOSITES WHEELCHAIR

Backrests Catalogue
Folding Standard Backrest Mechanism



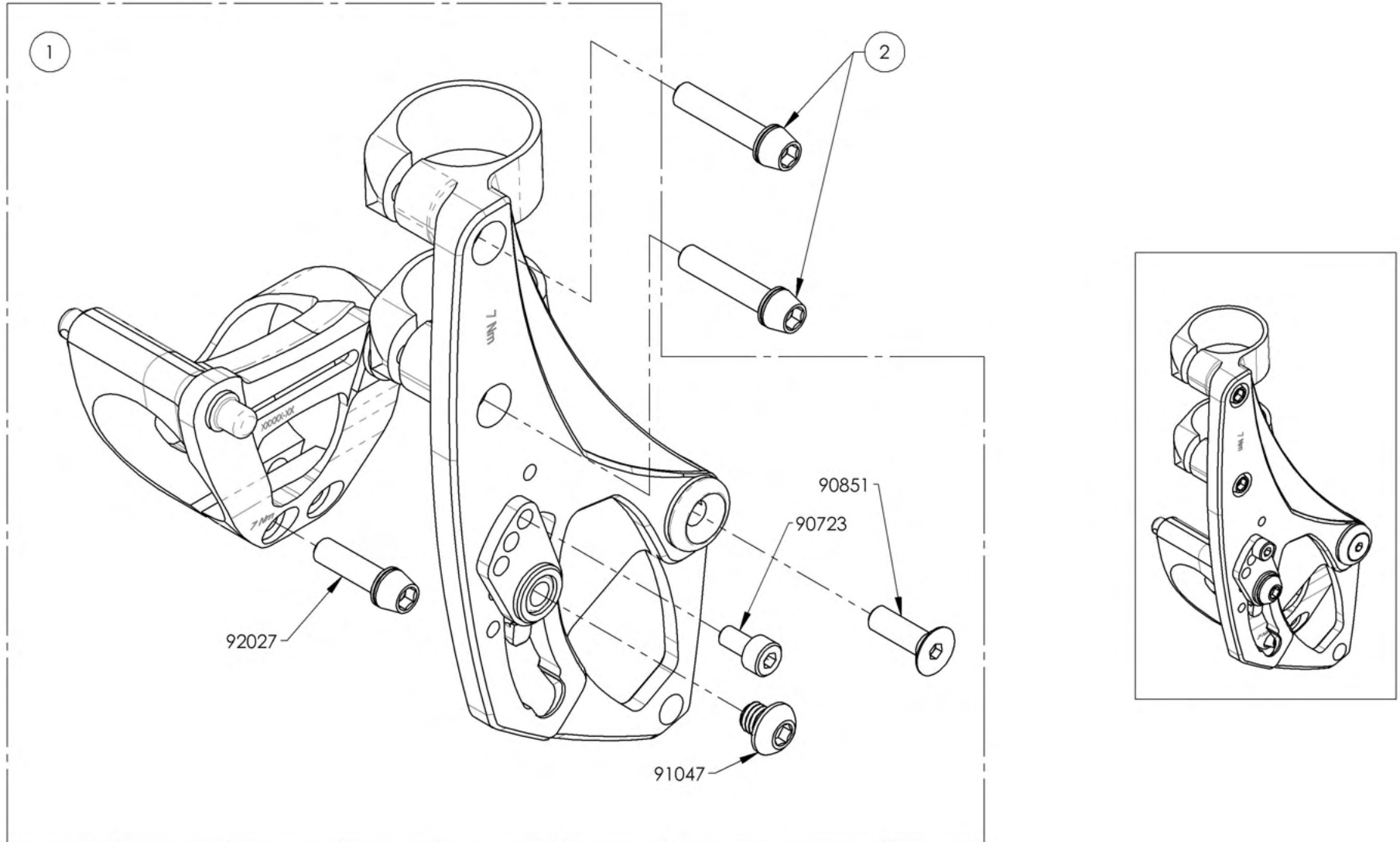
ITEM NO.	PARTNO	DESCRIPTION	QTY
1	9003127	Backrest - Fold Down, Locking, Right, Depth & Angle Adjustable	1
2	9003128	Backrest - Fold Down, Locking, Left, Depth & Angle Adjustable	1
3	9003133	Back Seat Rigidizer - Carbon Fiber Pultrusion, 12 in Width	1
4	9003134	Back Seat Rigidizer - Carbon Fiber Pultrusion, 13 in Width	1
5	9003135	Back Seat Rigidizer - Carbon Fiber Pultrusion, 14 in Width	1
6	9003136	Back Seat Rigidizer - Carbon Fiber Pultrusion, 15 in Width	1
7	9003137	Back Seat Rigidizer - Carbon Fiber Pultrusion, 16 in Width	1
8	9003138	Back Seat Rigidizer - Carbon Fiber Pultrusion, 17 in Width	1
9	9003139	Back Seat Rigidizer - Carbon Fiber Pultrusion, 18 in Width	1
10	9003140	Back Seat Rigidizer - Carbon Fiber Pultrusion, 19 in Width	1
11	9003141	Back Seat Rigidizer - Carbon Fiber Pultrusion, 20 in Width	1
12	9003257	Backrest - Quick Release, Pull String, 12 in	1
13	9003258	Backrest - Quick Release, Pull String, 13 in	1
14	9003259	Backrest - Quick Release, Pull String, 14 in	1
15	9003260	Backrest - Quick Release, Pull String, 15 in	1
16	9003261	Backrest - Quick Release, Pull String, 16 in	1
17	9003262	Backrest - Quick Release, Pull String, 17 in	1
18	9003263	Backrest - Quick Release, Pull String, 18 in	1
19	9003264	Backrest - Quick Release, Pull String, 19 in	1
20	9003265	Backrest - Quick Release, Pull String, 20 in	1



MAKE SURE TO HAVE YOUR SERIAL NUMBER
 NEARBY WHEN ORDERING PARTS FOR YOUR
 MOTION COMPOSITES WHEELCHAIR

9003127
Backrest - Fold Down, Locking, Right, Depth & Angle Adjustable

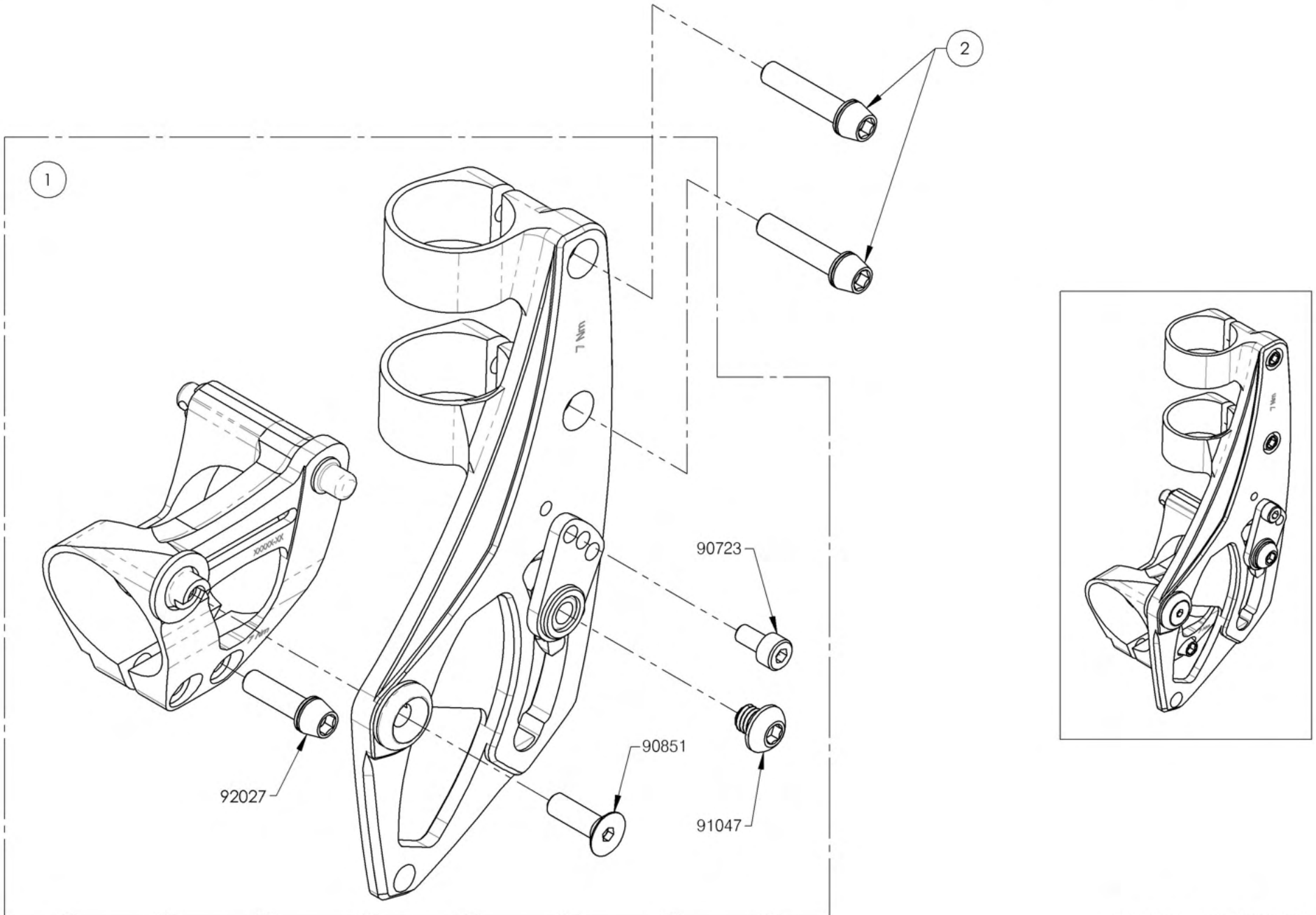
ITEM NO.	PARTNO	DESCRIPTION	9003127 /QTY.
1	32534	ANGLE ADJUSTABLE FLIPDOWN BACKREST, RIGHT- ASSEMBLY	1
2	91053	TAPER HEAD CAP SCREW+WASHER M5X0.8 X 24mm LONG, FULLY THREADED + BLUE THREADLOCKER	2



MAKE SURE TO HAVE YOUR SERIAL NUMBER
 NEARBY WHEN ORDERING PARTS FOR YOUR
 MOTION COMPOSITES WHEELCHAIR

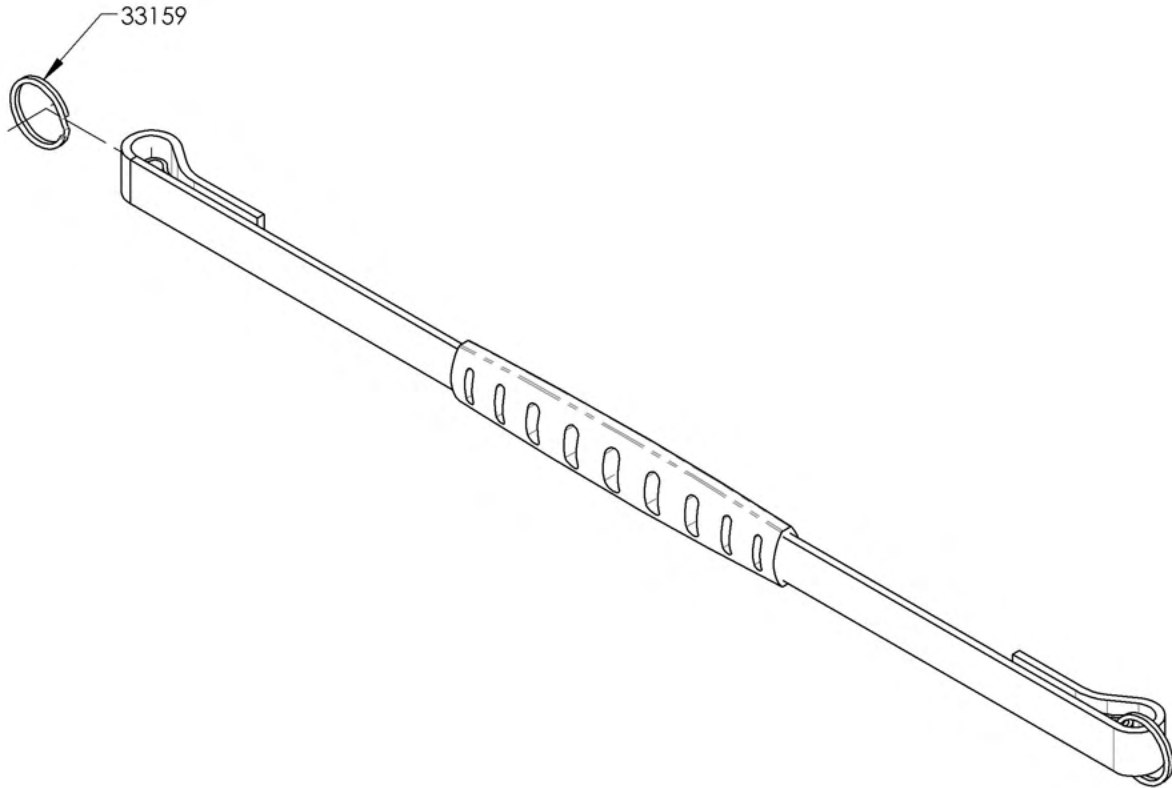
9003128
Backrest - Fold Down, Locking, Left, Depth & Angle Adjustable

ITEM NO.	PARTNO	DESCRIPTION	9003128 /QTY.
1	32535	ANGLE ADJUSTABLE FLIPDOWN BACKREST, LEFT- ASSEMBLY	1
2	91053	TAPER HEAD CAP SCREW+WASHER M5X0.8 X 24mm LONG, FULLY THREADED + BLUE THREADLOCKER	2

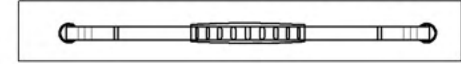


MAKE SURE TO HAVE YOUR SERIAL NUMBER NEARBY WHEN ORDERING PARTS FOR YOUR MOTION COMPOSITES WHEELCHAIR

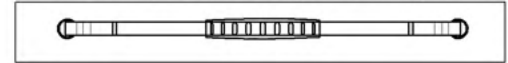
9003257_9003265
Backrest - Quick Release, Pull String



9003257
Backrest - Quick Release, Pull String, 12 in



9003258
Backrest - Quick Release, Pull String, 13 in



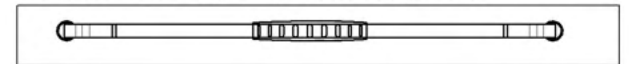
9003259
Backrest - Quick Release, Pull String, 14 in



9003260
Backrest - Quick Release, Pull String, 15 in



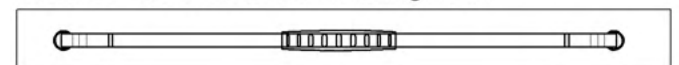
9003261
Backrest - Quick Release, Pull String, 16 in



9003262
Backrest - Quick Release, Pull String, 17 in



9003263
Backrest - Quick Release, Pull String, 18 in



9003264
Backrest - Quick Release, Pull String, 19 in



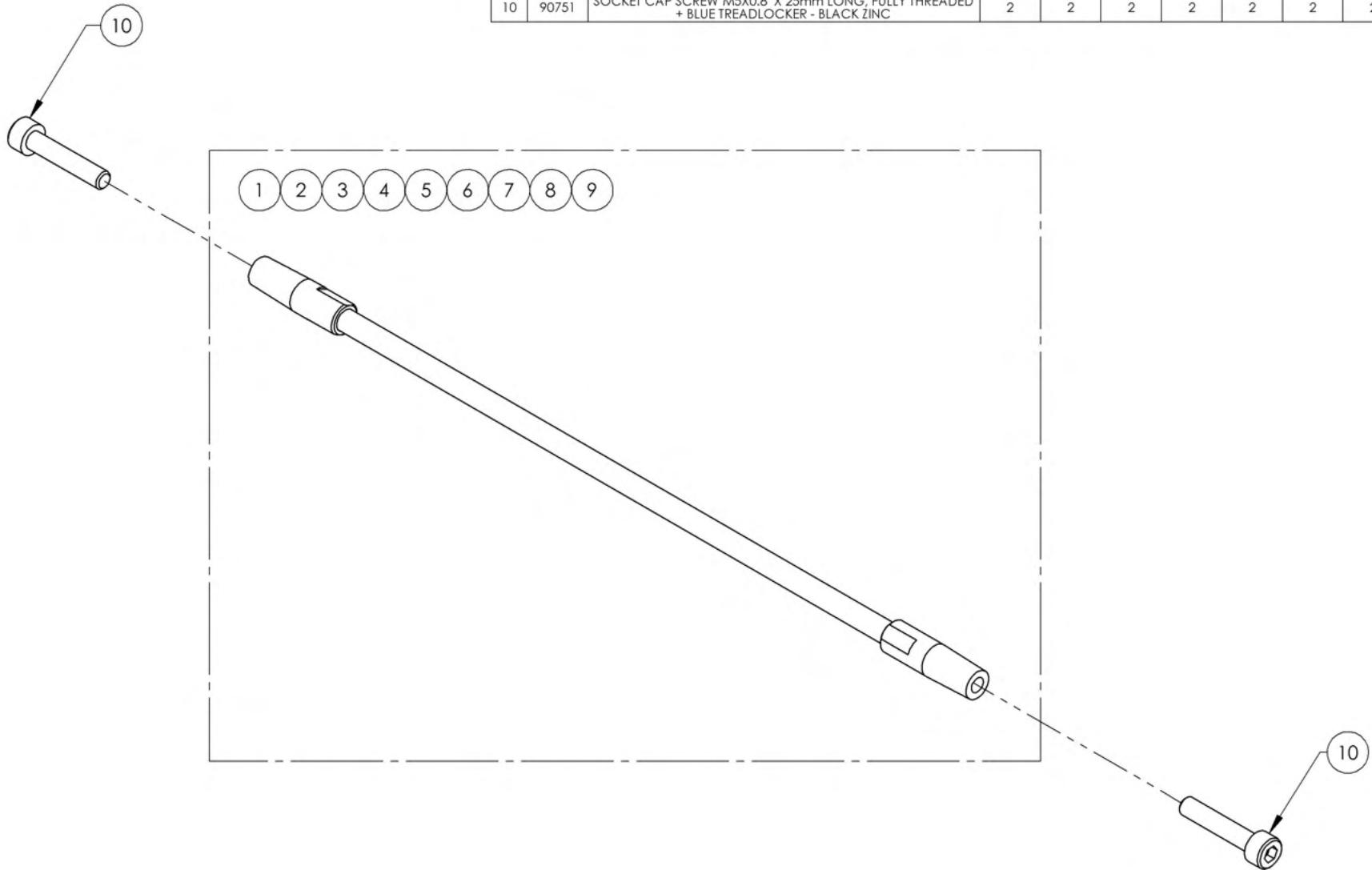
9003265
Backrest - Quick Release, Pull String, 20 in



MAKE SURE TO HAVE YOUR SERIAL NUMBER
NEARBY WHEN ORDERING PARTS FOR YOUR
MOTION COMPOSITES WHEELCHAIR

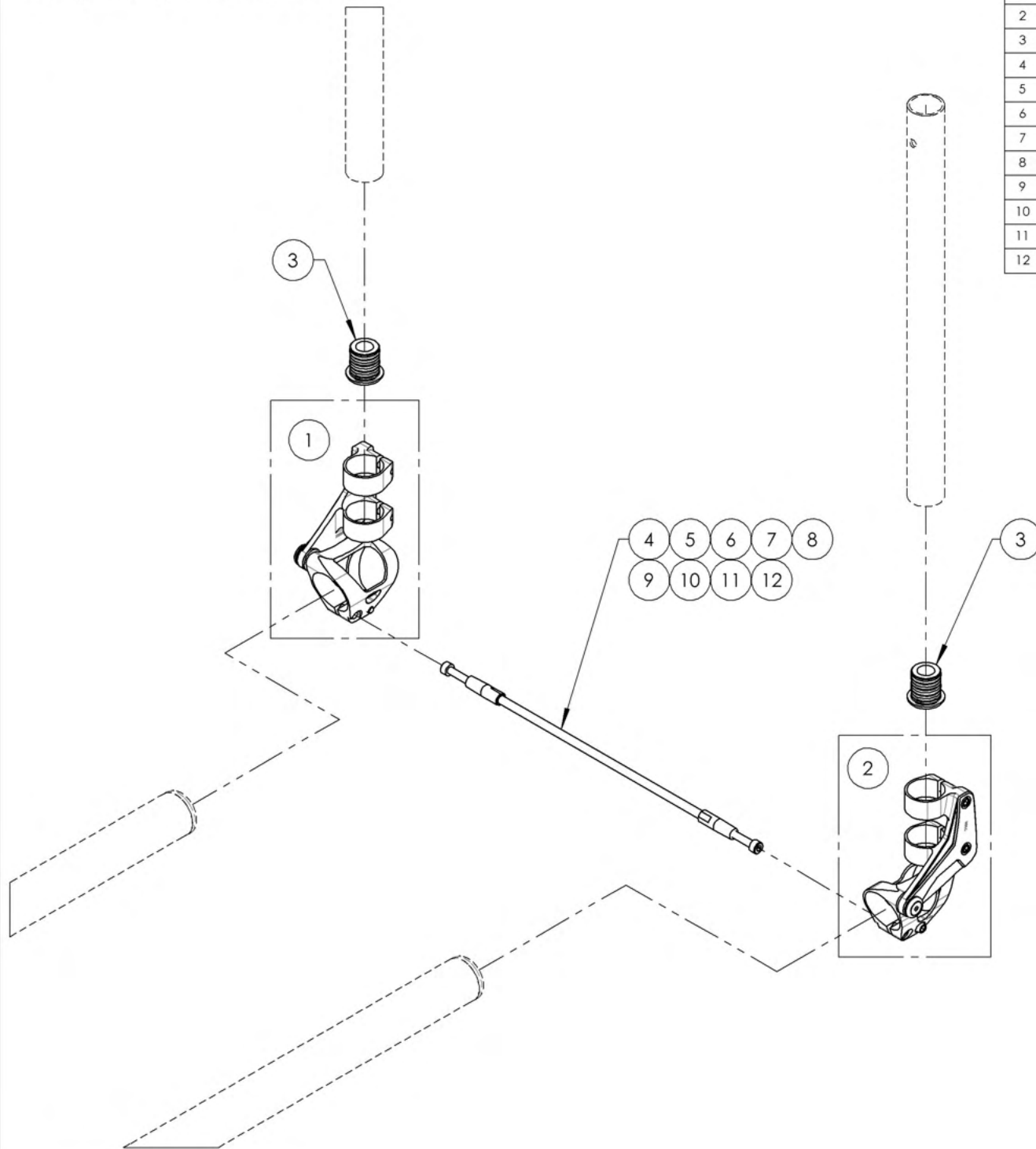
9003133_9003141
Back Seat Rigidizer - Carbon Fiber Pultrusion

ITEM NO.	PARTNO	DESCRIPTION	9003133 /QTY.	9003134 /QTY.	9003135 /QTY.	9003136 /QTY.	9003137 /QTY.	9003138 /QTY.	9003139 /QTY.	9003140 /QTY.	9003141 /QTY.
1	10723	BACK SEAT RIGIDIZER 12 IN	1	-	-	-	-	-	-	-	-
2	10724	BACK SEAT RIGIDIZER 13 IN	-	1	-	-	-	-	-	-	-
3	10725	BACK SEAT RIGIDIZER 14 IN	-	-	1	-	-	-	-	-	-
4	10726	BACK SEAT RIGIDIZER 15 IN	-	-	-	1	-	-	-	-	-
5	10727	BACK SEAT RIGIDIZER 16 IN	-	-	-	-	1	-	-	-	-
6	10728	BACK SEAT RIGIDIZER 17 IN	-	-	-	-	-	1	-	-	-
7	10729	BACK SEAT RIGIDIZER 18 IN	-	-	-	-	-	-	1	-	-
8	10730	BACK SEAT RIGIDIZER 19 IN	-	-	-	-	-	-	-	1	-
9	10731	BACK SEAT RIGIDIZER 20 IN	-	-	-	-	-	-	-	-	1
10	90751	SOCKET CAP SCREW M5X0.8 X 25mm LONG, FULLY THREADED + BLUE TREADLOCKER - BLACK ZINC	2	2	2	2	2	2	2	2	2

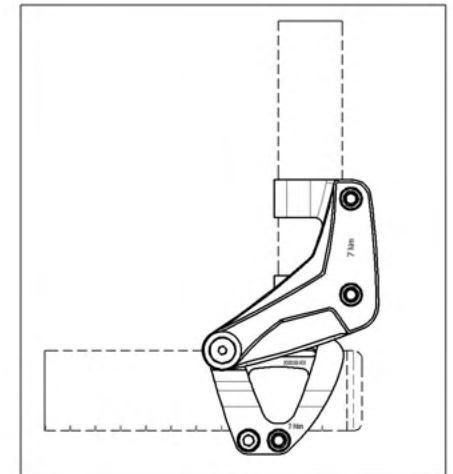


MAKE SURE TO HAVE YOUR SERIAL NUMBER
 NEARBY WHEN ORDERING PARTS FOR YOUR
 MOTION COMPOSITES WHEELCHAIR

Backrests Catalogue
Folding Ultralight Backrest Mechanism



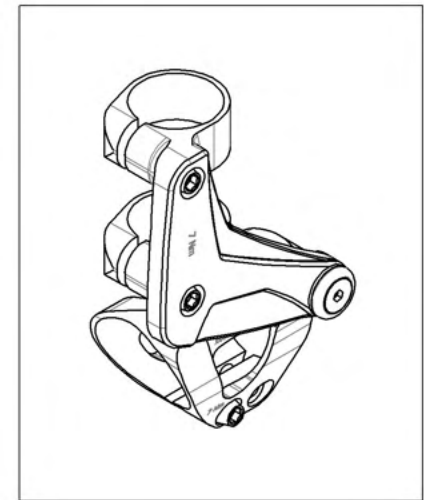
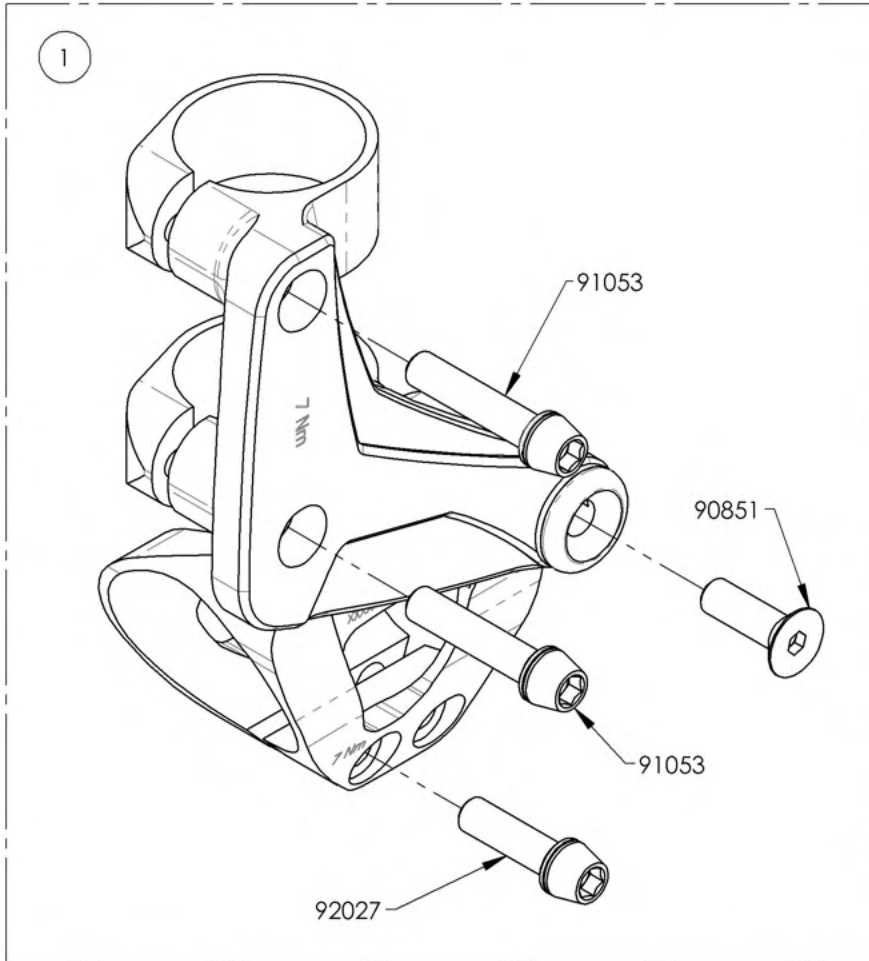
ITEM NO.	PARTNO	DESCRIPTION	QTY
1	9003129	Backrest - Ultralight, Fold Down, Non-Locking, Right, Depth Adjustable	1
2	9003130	Backrest - Ultralight, Fold Down, Non-Locking, Left, Depth Adjustable	1
3	9003254	Backrest - Ultralight, Bottom End Plug	2
4	9003133	Back Seat Rigidizer - Carbon Fiber Pultrusion, 12 in Width	1
5	9003134	Back Seat Rigidizer - Carbon Fiber Pultrusion, 13 in Width	1
6	9003135	Back Seat Rigidizer - Carbon Fiber Pultrusion, 14 in Width	1
7	9003136	Back Seat Rigidizer - Carbon Fiber Pultrusion, 15 in Width	1
8	9003137	Back Seat Rigidizer - Carbon Fiber Pultrusion, 16 in Width	1
9	9003138	Back Seat Rigidizer - Carbon Fiber Pultrusion, 17 in Width	1
10	9003139	Back Seat Rigidizer - Carbon Fiber Pultrusion, 18 in Width	1
11	9003140	Back Seat Rigidizer - Carbon Fiber Pultrusion, 19 in Width	1
12	9003141	Back Seat Rigidizer - Carbon Fiber Pultrusion, 20 in Width	1



MAKE SURE TO HAVE YOUR SERIAL NUMBER
 NEARBY WHEN ORDERING PARTS FOR YOUR
 MOTION COMPOSITES WHEELCHAIR

9003129
Backrest - Ultralight, Fold Down, Non-Locking, Right, Depth Adjustable

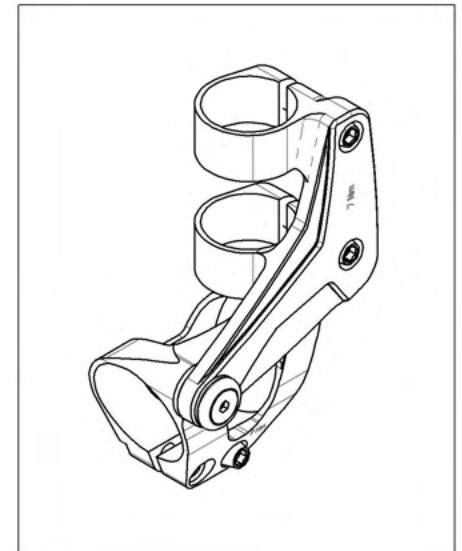
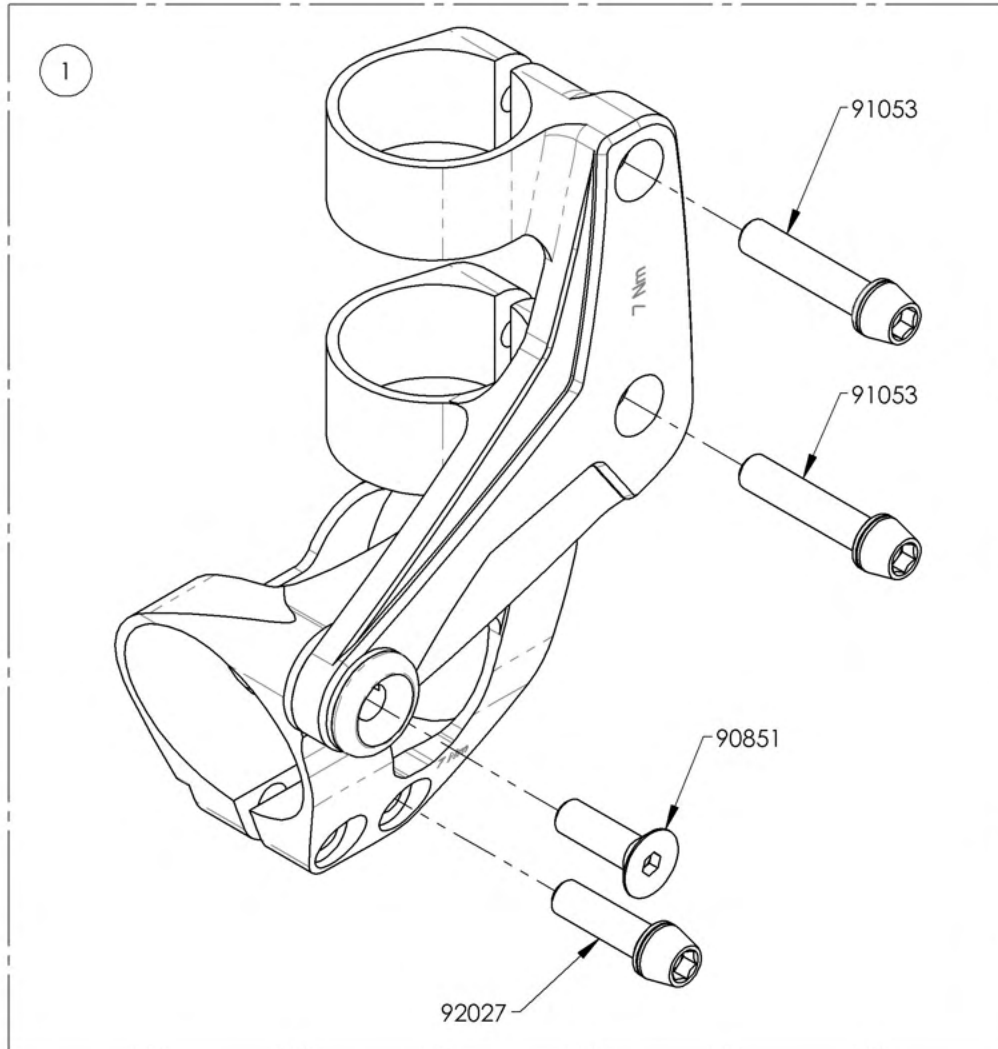
ITEM NO.	PARTNO	DESCRIPTION	9003129 /QTY.
1	32536	ULTRALIGHT NON LOCKING BACKREST, RIGHT - ASSEMBLY	1



MAKE SURE TO HAVE YOUR SERIAL NUMBER
NEARBY WHEN ORDERING PARTS FOR YOUR
MOTION COMPOSITES WHEELCHAIR

9003130
Backrest - Ultralight, Fold Down, Non-Locking, Left, Depth Adjustable

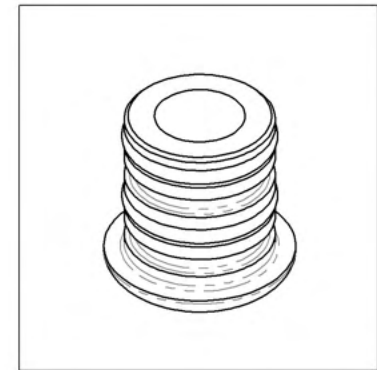
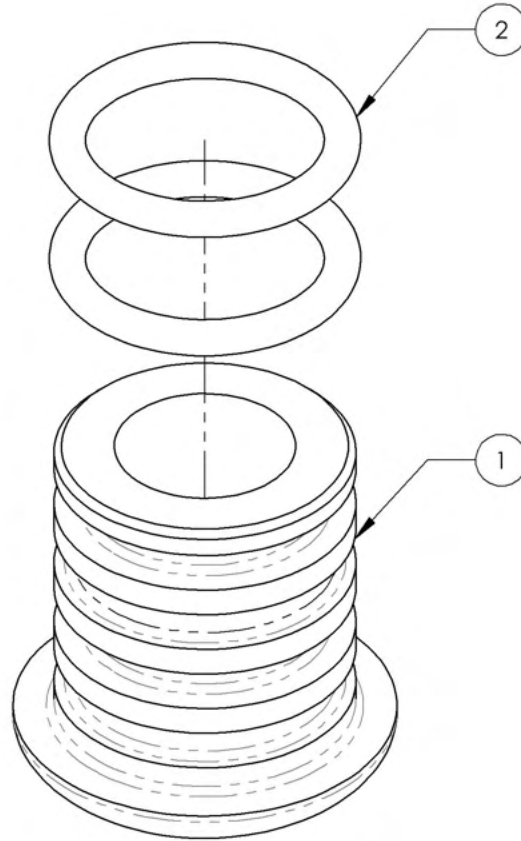
ITEM NO.	PARTNO	DESCRIPTION	9003130 /QTY.
1	32537	ULTRALIGHT NON LOCKING BACKREST, LEFT - ASSEMBLY	1



MAKE SURE TO HAVE YOUR SERIAL NUMBER
NEARBY WHEN ORDERING PARTS FOR YOUR
MOTION COMPOSITES WHEELCHAIR

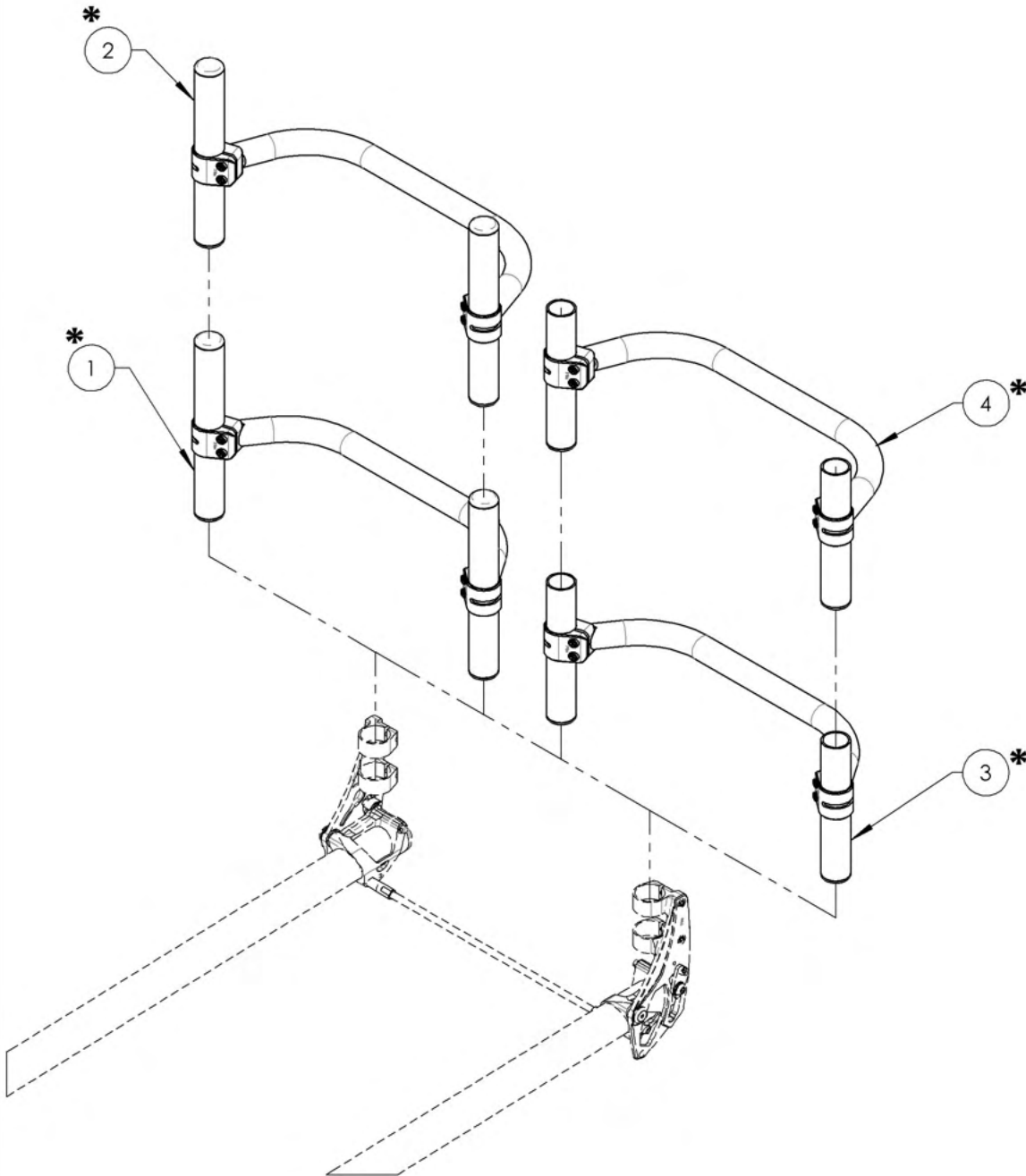
9003254
Backrest - Ultralight, Bottom End Plug

ITEM NO.	PARTNO	DESCRIPTION	9003254 /QTY.
1	32102	BACKREST BOTTOM END PLUG	1
2	32121	O-RING 2.4mm WD, 15.8mm ID	2



MAKE SURE TO HAVE YOUR SERIAL NUMBER
NEARBY WHEN ORDERING PARTS FOR YOUR
MOTION COMPOSITES WHEELCHAIR

Backrests Catalogue
Fold Down & Locking Alu Back Cane Assembly



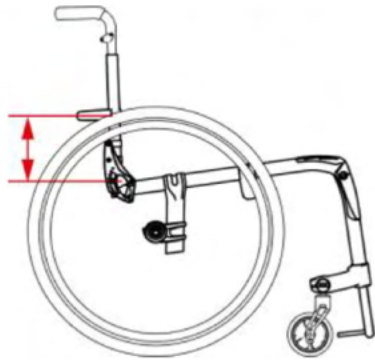
ITEM NO.	PARTNO	DESCRIPTION	QTY
1*	9004754 TO 9005026	Backrest - Aluminum, Fold Down & Locking, Fixed	1
2*	9005219 TO 9005429	Backrest - Aluminum, 4in Deep, Fold Down & Locking, Fixed	1
3*	9005508 TO 9005551	Backrest - Aluminum, Fold Down & Locking	1
4*	9005648 TO 9005681	Backrest - Aluminum, 4in Deep, Fold Down & Locking	1

***NOTE : REFER TO THE BACKREST PAGE
 FOR DETAIL ABOUT AVAILABLE WIDTH
 AND HEIGHT**

MAKE SURE TO HAVE YOUR SERIAL NUMBER
 NEARBY WHEN ORDERING PARTS FOR YOUR
 MOTION COMPOSITES WHEELCHAIR

9004754_9005026

Backrest - Aluminum, Fold Down & Locking, Fixed

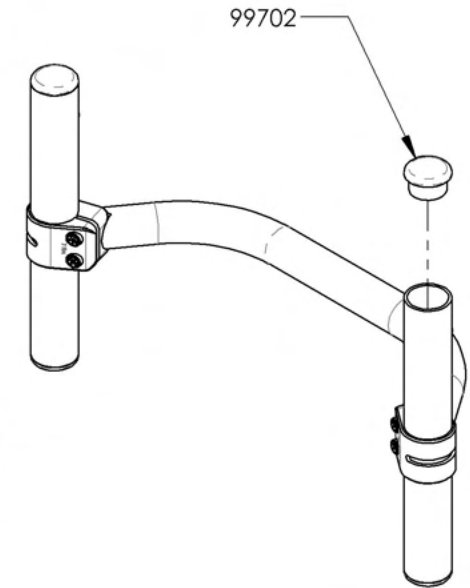


NOTE: PLEASE CONTACT OUR CUSTOMER SERVICE TO SET RIGIDIZER BAR HEIGHT

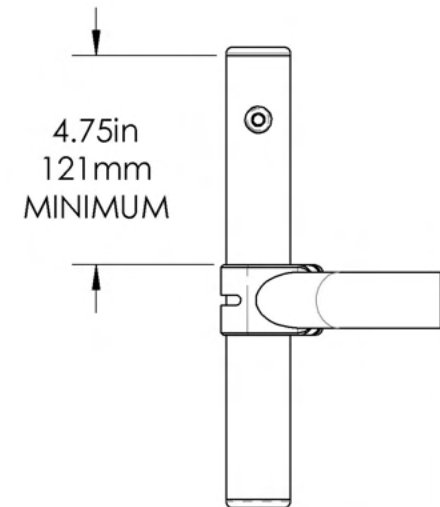
Standard Height is 5.5in (14.0cm)

Lowest position is 4.25in (10.8cm)

COMPONENT MUST BE MACHINED AND ASSEMBLED BY MOTION COMPOSITES.



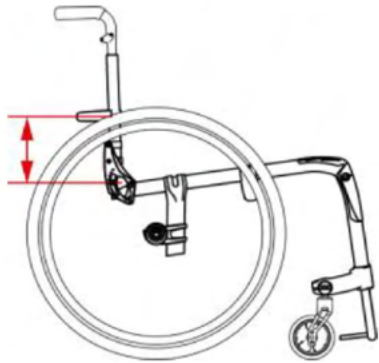
BACKREST DIMENSIONS		WIDTH in inches (cm)									
		12 (30.5)	13 (33.0)	14 (35.6)	15 (38.1)	16 (40.6)	17 (43.2)	18 (45.7)	19 (48.3)	20 (50.8)	
HEIGHT in inches (cm)	9 (22.9)	9004754	9004785	9004816	9004847	9004878	9004909	9004940	9004971	9005002	
	9.5 (24.1)	9004755	9004786	9004817	9004848	9004879	9004910	9004941	9004972	9005003	
	10 (25.4)	9004756	9004787	9004818	9004849	9004880	9004911	9004942	9004973	9005004	
	10.5 (26.7)	9004757	9004788	9004819	9004850	9004881	9004912	9004943	9004974	9005005	
	11 (27.9)	9004758	9004789	9004820	9004851	9004882	9004913	9004944	9004975	9005006	
	11.5 (29.2)	9004759	9004790	9004821	9004852	9004883	9004914	9004945	9004976	9005007	
	12 (30.5)	9004760	9004791	9004822	9004853	9004884	9004915	9004946	9004977	9005008	
	12.5 (31.8)	9004761	9004792	9004823	9004854	9004885	9004916	9004947	9004978	9005009	
	13 (33)	9004762	9004793	9004824	9004855	9004886	9004917	9004948	9004979	9005010	
	13.5 (34.3)	9004763	9004794	9004825	9004856	9004887	9004918	9004949	9004980	9005011	
	14 (35.6)	9004764	9004795	9004826	9004857	9004888	9004919	9004950	9004981	9005012	
	14.5 (36.8)	9004765	9004796	9004827	9004858	9004889	9004920	9004951	9004982	9005013	
	15 (38.1)	9004766	9004797	9004828	9004859	9004890	9004921	9004952	9004983	9005014	
	15.5 (39.4)	9004767	9004798	9004829	9004860	9004891	9004922	9004953	9004984	9005015	
	16 (40.6)	9004768	9004799	9004830	9004861	9004892	9004923	9004954	9004985	9005016	
	16.5 (41.9)	9004769	9004800	9004831	9004862	9004893	9004924	9004955	9004986	9005017	
	17 (43.2)	9004770	9004801	9004832	9004863	9004894	9004925	9004956	9004987	9005018	
	17.5 (44.5)	9004771	9004802	9004833	9004864	9004895	9004926	9004957	9004988	9005019	
	18 (45.7)	9004772	9004803	9004834	9004865	9004896	9004927	9004958	9004989	9005020	
	18.5 (47)	9004773	9004804	9004835	9004866	9004897	9004928	9004959	9004990	9005021	
	19 (48.3)	9004774	9004805	9004836	9004867	9004898	9004929	9004960	9004991	9005022	
19.5 (49.5)	9004775	9004806	9004837	9004868	9004899	9004930	9004961	9004992	9005023		
20 (50.8)	9004776	9004807	9004838	9004869	9004900	9004931	9004962	9004993	9005024		
20.5 (52.1)	9004777	9004808	9004839	9004870	9004901	9004932	9004963	9004994	9005025		
21 (53.3)	9004778	9004809	9004840	9004871	9004902	9004933	9004964	9004995	9005026		



MAKE SURE TO HAVE YOUR SERIAL NUMBER NEARBY WHEN ORDERING PARTS FOR YOUR MOTION COMPOSITES WHEELCHAIR

9005219_9005429

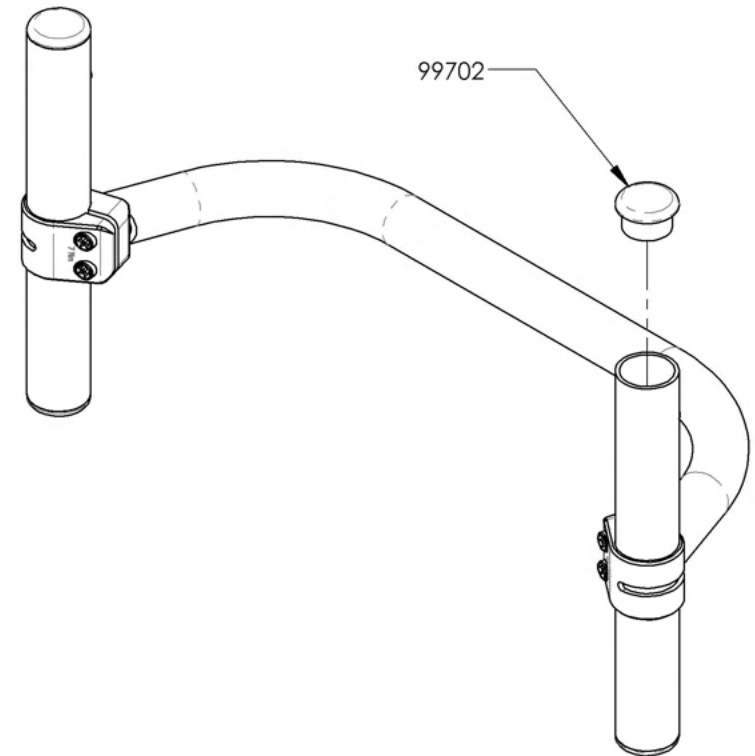
Backrest - Aluminum, 4in Deep, Fold Down & Locking, Fixed



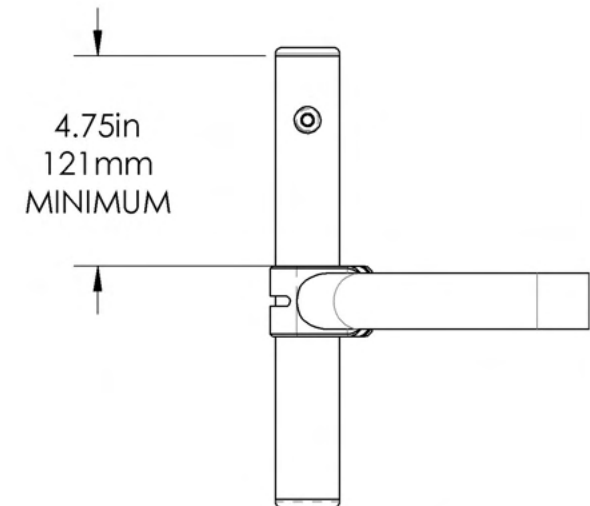
NOTE: PLEASE CONTACT OUR CUSTOMER SERVICE TO SET RIGIDIZER BAR HEIGHT

Standard Height is 5.5in (14.0cm)
 Lowest position is 4.25in (10.8cm)

COMPONENT MUST BE MACHINED AND ASSEMBLED BY MOTION COMPOSITES.



BACKREST DIMENSIONS		WIDTH in inches (cm)						
		14 (35.6)	15 (38.1)	16 (40.6)	17 (43.2)	18 (45.7)	19 (48.3)	20 (50.8)
HEIGHT in inches (cm)	9 (22.9)	9005219	9005250	9005281	9005312	9005343	9005374	9005405
	9.5 (24.1)	9005220	9005251	9005282	9005313	9005344	9005375	9005406
	10 (25.4)	9005221	9005252	9005283	9005314	9005345	9005376	9005407
	10.5 (26.7)	9005222	9005253	9005284	9005315	9005346	9005377	9005408
	11 (27.9)	9005223	9005254	9005285	9005316	9005347	9005378	9005409
	11.5 (29.2)	9005224	9005255	9005286	9005317	9005348	9005379	9005410
	12 (30.5)	9005225	9005256	9005287	9005318	9005349	9005380	9005411
	12.5 (31.8)	9005226	9005257	9005288	9005319	9005350	9005381	9005412
	13 (33)	9005227	9005258	9005289	9005320	9005351	9005382	9005413
	13.5 (34.3)	9005228	9005259	9005290	9005321	9005352	9005383	9005414
	14 (35.6)	9005229	9005260	9005291	9005322	9005353	9005384	9005415
	14.5 (36.8)	9005230	9005261	9005292	9005323	9005354	9005385	9005416
	15 (38.1)	9005231	9005262	9005293	9005324	9005355	9005386	9005417
	15.5 (39.4)	9005232	9005263	9005294	9005325	9005356	9005387	9005418
	16 (40.6)	9005233	9005264	9005295	9005326	9005357	9005388	9005419
	16.5 (41.9)	9005234	9005265	9005296	9005327	9005358	9005389	9005420
	17 (43.2)	9005235	9005266	9005297	9005328	9005359	9005390	9005421
	17.5 (44.5)	9005236	9005267	9005298	9005329	9005360	9005391	9005422
	18 (45.7)	9005237	9005268	9005299	9005330	9005361	9005392	9005423
	18.5 (47)	9005238	9005269	9005300	9005331	9005362	9005393	9005424
	19 (48.3)	9005239	9005270	9005301	9005332	9005363	9005394	9005425
19.5 (49.5)	9005240	9005271	9005302	9005333	9005364	9005395	9005426	
20 (50.8)	9005241	9005272	9005303	9005334	9005365	9005396	9005427	
20.5 (52.1)	9005242	9005273	9005304	9005335	9005366	9005397	9005428	
21 (53.3)	9005243	9005274	9005305	9005336	9005367	9005398	9005429	



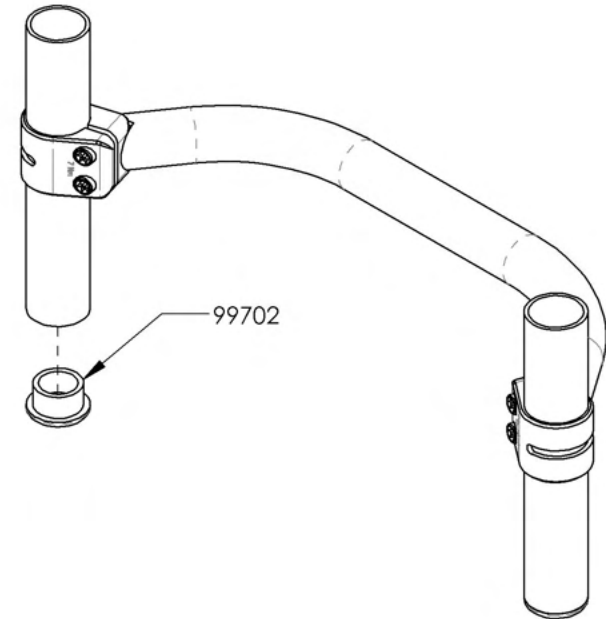
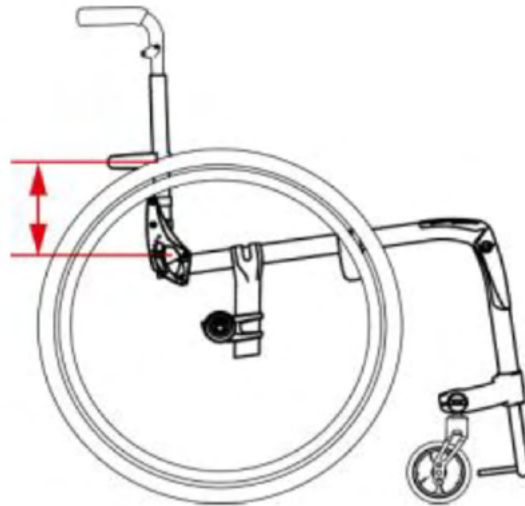
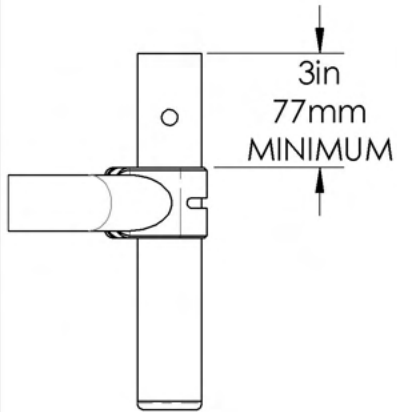
MAKE SURE TO HAVE YOUR SERIAL NUMBER NEARBY WHEN ORDERING PARTS FOR YOUR MOTION COMPOSITES WHEELCHAIR

9005508_9005551
Backrest - Aluminum, Fold Down & Locking

NOTE: PLEASE CONTACT OUR CUSTOMER SERVICE TO SET RIGIDIZER BAR HEIGHT

Standard Height is 5.5in (14.0cm)
 Lowest position is 4.25in (10.8cm)

COMPONENT MUST BE MACHINED AND ASSEMBLED BY MOTION COMPOSITES.



BACKREST DIMENSIONS		WIDTH in inches (cm)								
		12 (30.5)	13 (33.0)	14 (35.6)	15 (38.1)	16 (40.6)	17 (43.2)	18 (45.7)	19 (48.3)	20 (50.8)
HEIGHT in inches (cm)	9-12 (22.9-30.5)	9005508	9005513	9005518	9005523	9005528	9005533	9005538	9005543	9005548
	12-15 (30.5-38.1)	9005509	9005514	9005519	9005524	9005529	9005534	9005539	9005544	9005549
	15-18 (38.1-45.7)	9005510	9005515	9005520	9005525	9005530	9005535	9005540	9005545	9005550
	18-21 (45.7-53.3)	9005511	9005516	9005521	9005526	9005531	9005536	9005541	9005546	9005551

MAKE SURE TO HAVE YOUR SERIAL NUMBER NEARBY WHEN ORDERING PARTS FOR YOUR MOTION COMPOSITES WHEELCHAIR

9005648_9005681

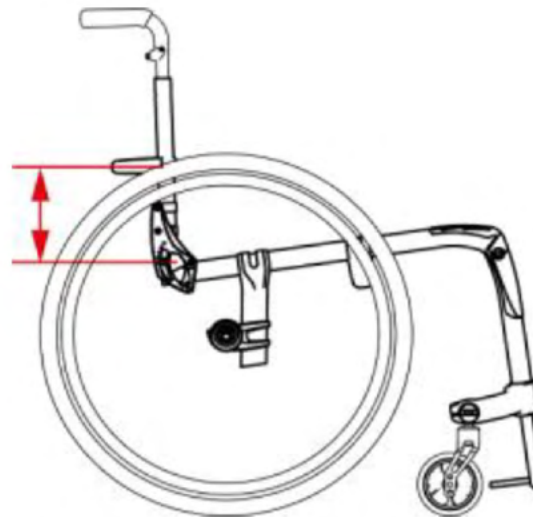
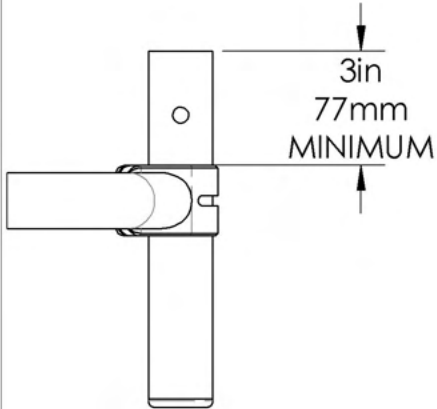
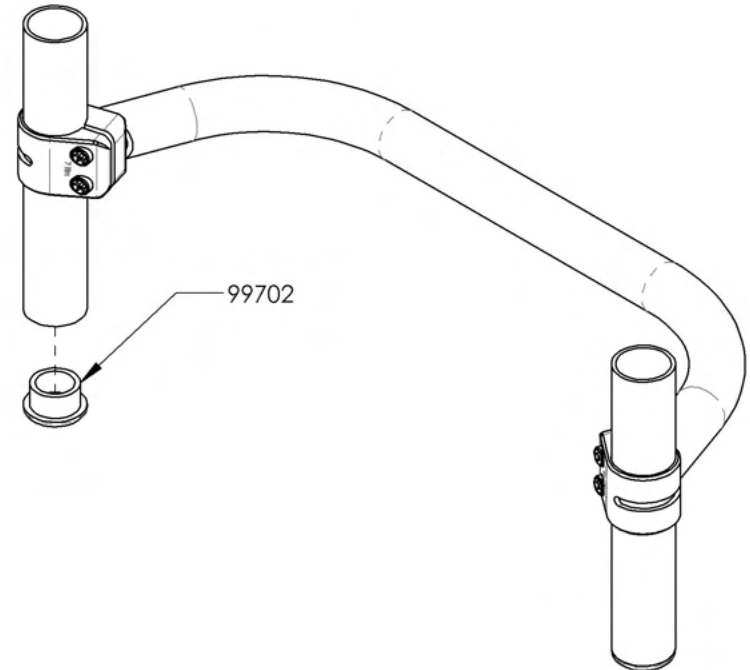
Backrest - Aluminum, 4in Deep, Fold Down & Locking

NOTE: PLEASE CONTACT OUR CUSTOMER SERVICE TO SET RIGIDIZER BAR HEIGHT

Standard Height is 5.5in (14.0 cm)

Lowest position is 4.25in (10.8cm)

COMPONENT MUST BE MACHINED AND ASSEMBLED BY MOTION COMPOSITES.

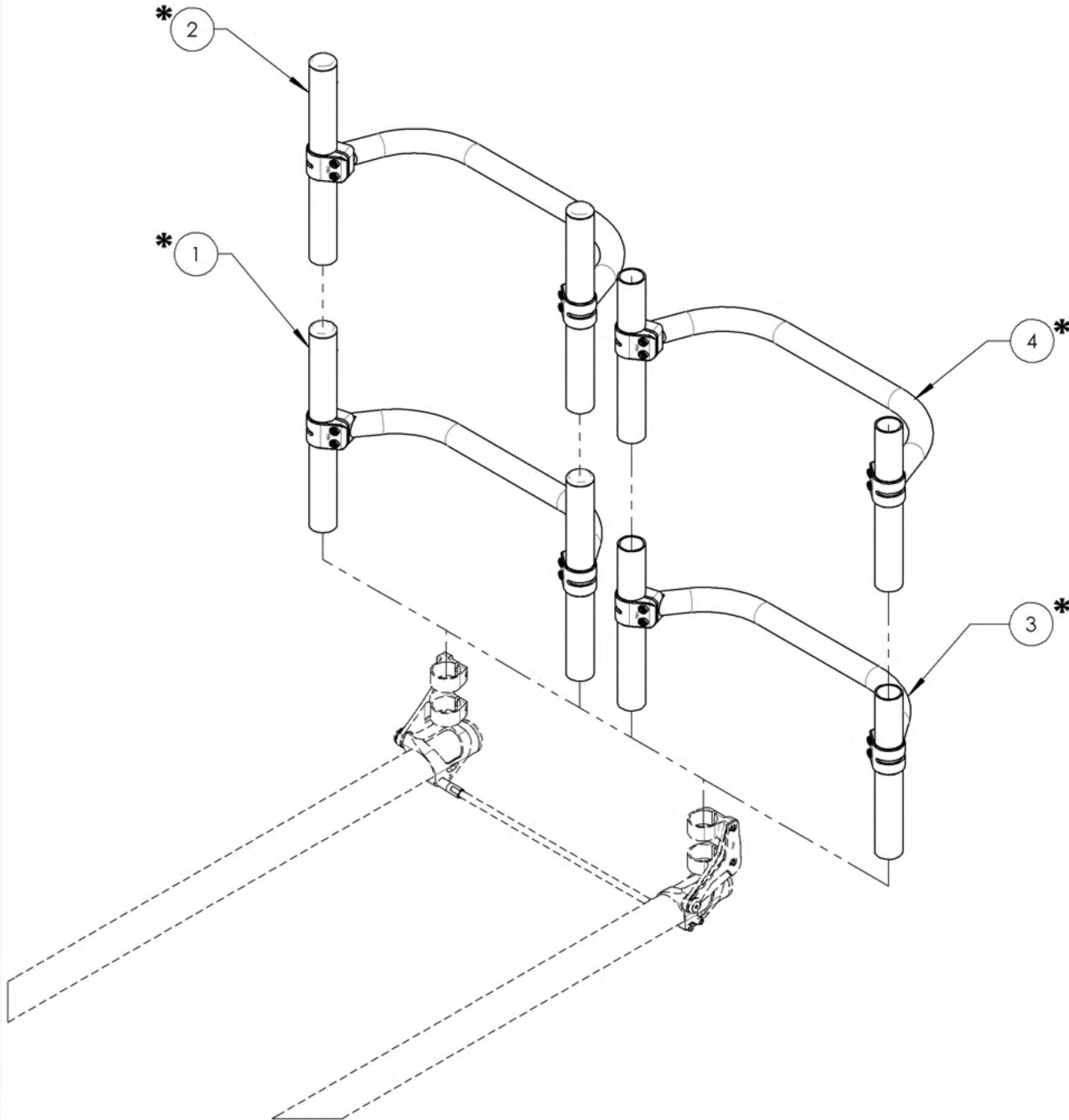


BACKREST DIMENSIONS		WIDTH in inches (cm)						
		14 (35.6)	15 (38.1)	16 (40.6)	17 (43.2)	18 (45.7)	19 (48.3)	20 (50.8)
HEIGHT in inches (cm)	9-12 (22.9-30.5)	9005648	9005653	9005658	9005663	9005668	9005673	9005678
	12-15 (30.5-38.1)	9005649	9005654	9005659	9005664	9005669	9005674	9005679
	15-18 (38.1-45.7)	9005650	9005655	9005660	9005665	9005670	9005675	9005680
	18-21 (45.7-53.3)	9005651	9005656	9005661	9005666	9005671	9005676	9005681

MAKE SURE TO HAVE YOUR SERIAL NUMBER NEARBY WHEN ORDERING PARTS FOR YOUR MOTION COMPOSITES WHEELCHAIR

Backrests Catalogue
Ultralight Alu Back Cane Assembly

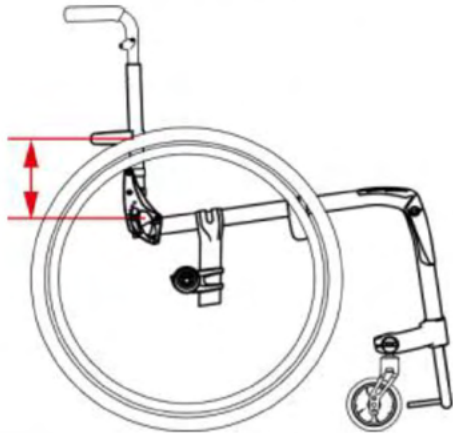
ITEM NO.	PARTNO	DESCRIPTION	QTY
1*	9006626 TO 9006895	Backrest - Aluminum, Ultralight, Fixed	1
2*	9007091 TO 9007298	Backrest - Aluminum, 4in Deep, Ultralight, Fixed	1
3*	9007380 TO 9007423	Backrest - Aluminum, Ultralight	1
4*	9007520 TO 9007553	Backrest - Aluminum, 4in Deep, Ultralight	1



***NOTE : REFER TO THE BACKREST PAGE
 FOR DETAIL ABOUT AVAILABLE WIDTH
 AND HEIGHT**

MAKE SURE TO HAVE YOUR SERIAL NUMBER
 NEARBY WHEN ORDERING PARTS FOR YOUR
 MOTION COMPOSITES WHEELCHAIR

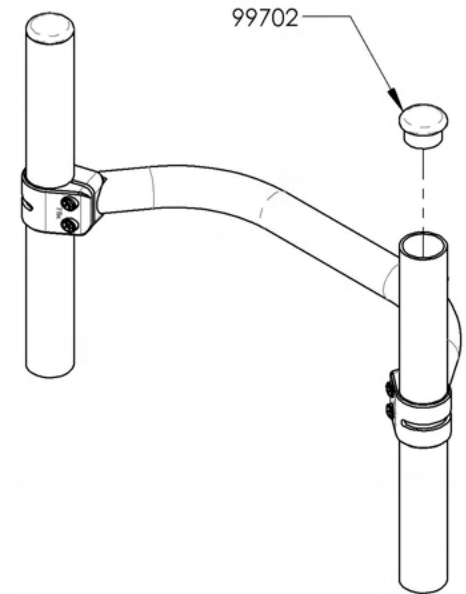
9006626_9006895
Backrest - Aluminum, Ultralight, Fixed



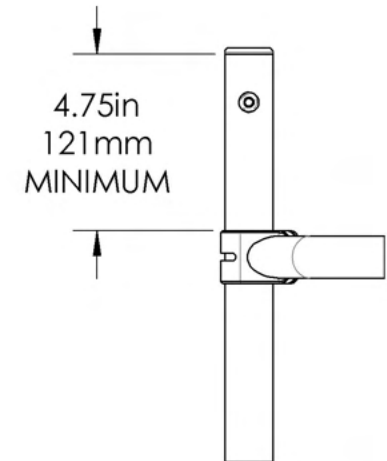
NOTE: PLEASE CONTACT OUR CUSTOMER SERVICE TO SET RIGIDIZER BAR HEIGHT

Standard Height is 5.5in (14.0cm)
 Lowest position is 4.25in (10.8cm)

COMPONENT MUST BE MACHINED AND ASSEMBLED BY MOTION COMPOSITES.

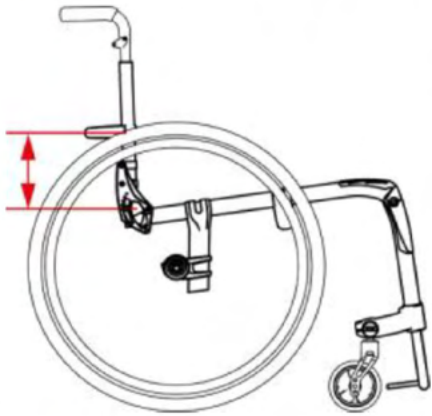


BACKREST DIMENSIONS		WIDTH in inches (cm)								
		12 (30.5)	13 (33.0)	14 (35.6)	15 (38.1)	16 (40.6)	17 (43.2)	18 (45.7)	19 (48.3)	20 (50.8)
HEIGHT in inches (cm)	9 (22.9)	9006626	9006657	9006688	9006719	9006750	9006781	9006812	9006843	9006874
	9.5 (24.1)	9006627	9006658	9006689	9006720	9006751	9006782	9006813	9006844	9006875
	10 (25.4)	9006628	9006659	9006690	9006721	9006752	9006783	9006814	9006845	9006876
	10.5 (26.7)	9006629	9006660	9006691	9006722	9006753	9006784	9006815	9006846	9006877
	11 (27.9)	9006630	9006661	9006692	9006723	9006754	9006785	9006816	9006847	9006878
	11.5 (29.2)	9006631	9006662	9006693	9006724	9006755	9006786	9006817	9006848	9006879
	12 (30.5)	9006632	9006663	9006694	9006725	9006756	9006787	9006818	9006849	9006880
	12.5 (31.8)	9006633	9006664	9006695	9006726	9006757	9006788	9006819	9006850	9006881
	13 (33)	9006634	9006665	9006696	9006727	9006758	9006789	9006820	9006851	9006882
	13.5 (34.3)	9006635	9006666	9006697	9006728	9006759	9006790	9006821	9006852	9006883
	14 (35.6)	9006636	9006667	9006698	9006729	9006760	9006791	9006822	9006853	9006884
	14.5 (36.8)	9006637	9006668	9006699	9006730	9006761	9006792	9006823	9006854	9006885
	15 (38.1)	9006638	9006669	9006700	9006731	9006762	9006793	9006824	9006855	9006886
	15.5 (39.4)	9006639	9006670	9006701	9006732	9006763	9006794	9006825	9006856	9006887
	16 (40.6)	9006640	9006671	9006702	9006733	9006764	9006795	9006826	9006857	9006888
	16.5 (41.9)	9006641	9006672	9006703	9006734	9006765	9006796	9006827	9006858	9006889
	17 (43.2)	9006642	9006673	9006704	9006735	9006766	9006797	9006828	9006859	9006890
	17.5 (44.5)	9006643	9006674	9006705	9006736	9006767	9006798	9006829	9006860	9006891
18 (45.7)	9006644	9006675	9006706	9006737	9006768	9006799	9006830	9006861	9006892	
18.5 (47)	9006645	9006676	9006707	9006738	9006769	9006800	9006831	9006862	9006893	
19 (48.3)	9006646	9006677	9006708	9006739	9006770	9006801	9006832	9006863	9006894	
19.5 (49.5)	9006647	9006678	9006709	9006740	9006771	9006802	9006833	9006864	9006895	



MAKE SURE TO HAVE YOUR SERIAL NUMBER NEARBY WHEN ORDERING PARTS FOR YOUR MOTION COMPOSITES WHEELCHAIR

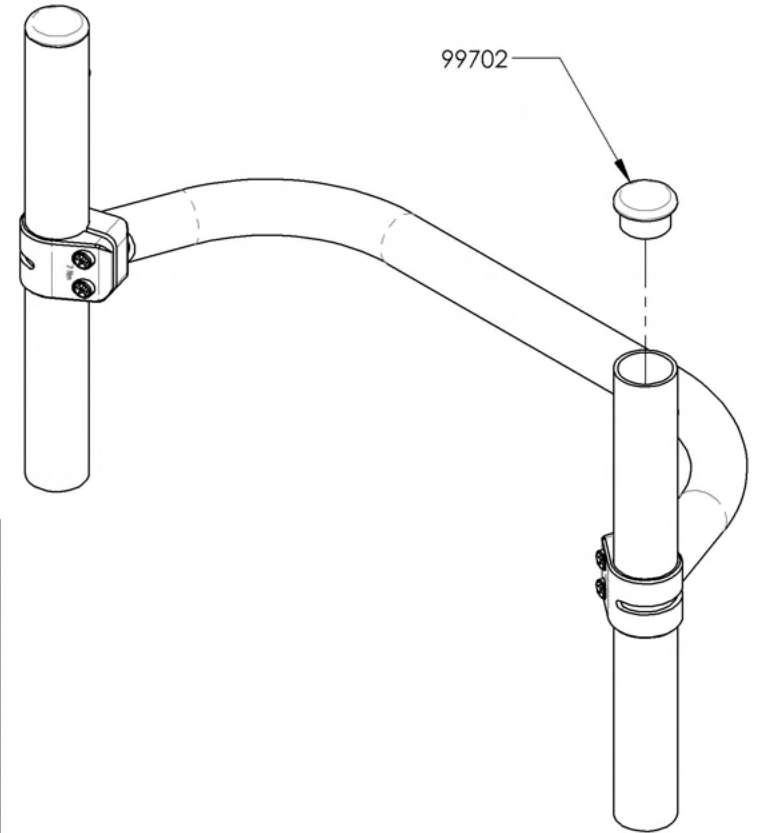
9007091_9007298
Backrest - Aluminum, 4in Deep, Ultralight, Fixed



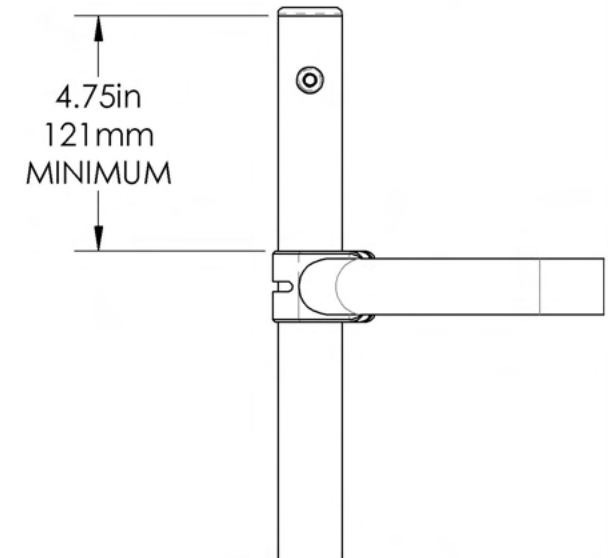
NOTE: PLEASE CONTACT OUR CUSTOMER SERVICE TO SET RIGIDIZER BAR HEIGHT

Standard Height is 5.5in (14.0m)
 Lowest position is 4.25in (10.8cm)

COMPONENT MUST BE MACHINED AND ASSEMBLED BY MOTION COMPOSITES.



BACKREST DIMENSIONS		WIDTH in inches (cm)						
		14 (35.6)	15 (38.1)	16 (40.6)	17 (43.2)	18 (45.7)	19 (48.3)	20 (50.8)
HEIGHT in inches (cm)	9 (22.9)	9007091	9007122	9007153	9007184	9007215	9007246	9007277
	9.5 (24.1)	9007092	9007123	9007154	9007185	9007216	9007247	9007278
	10 (25.4)	9007093	9007124	9007155	9007186	9007217	9007248	9007279
	10.5 (26.7)	9007094	9007125	9007156	9007187	9007218	9007249	9007280
	11 (27.9)	9007095	9007126	9007157	9007188	9007219	9007250	9007281
	11.5 (29.2)	9007096	9007127	9007158	9007189	9007220	9007251	9007282
	12 (30.5)	9007097	9007128	9007159	9007190	9007221	9007252	9007283
	12.5 (31.8)	9007098	9007129	9007160	9007191	9007222	9007253	9007284
	13 (33)	9007099	9007130	9007161	9007192	9007223	9007254	9007285
	13.5 (34.3)	9007100	9007131	9007162	9007193	9007224	9007255	9007286
	14 (35.6)	9007101	9007132	9007163	9007194	9007225	9007256	9007287
	14.5 (36.8)	9007102	9007133	9007164	9007195	9007226	9007257	9007288
	15 (38.1)	9007103	9007134	9007165	9007196	9007227	9007258	9007289
	15.5 (39.4)	9007104	9007135	9007166	9007197	9007228	9007259	9007290
	16 (40.6)	9007105	9007136	9007167	9007198	9007229	9007260	9007291
	16.5 (41.9)	9007106	9007137	9007168	9007199	9007230	9007261	9007292
	17 (43.2)	9007107	9007138	9007169	9007200	9007231	9007262	9007293
	17.5 (44.5)	9007108	9007139	9007170	9007201	9007232	9007263	9007294
	18 (45.7)	9007109	9007140	9007171	9007202	9007233	9007264	9007295
18.5 (47)	9007110	9007141	9007172	9007203	9007234	9007265	9007296	
19 (48.3)	9007111	9007142	9007173	9007204	9007235	9007266	9007297	
19.5 (49.5)	9007112	9007143	9007174	9007205	9007236	9007267	9007298	



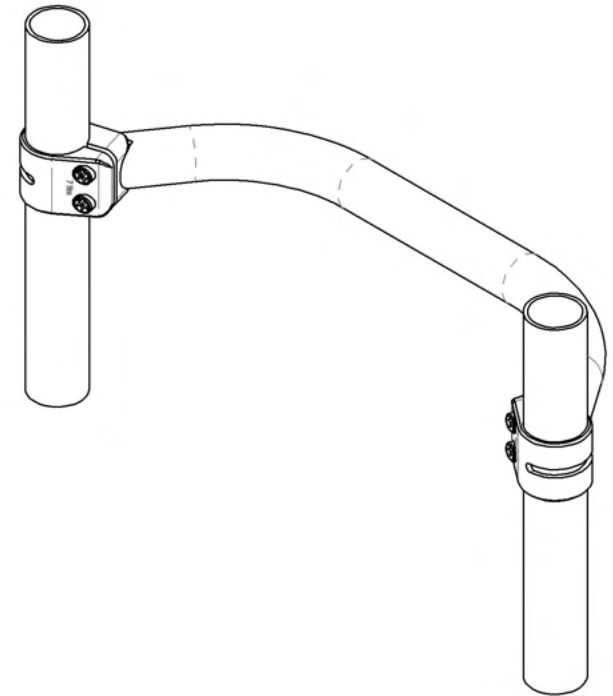
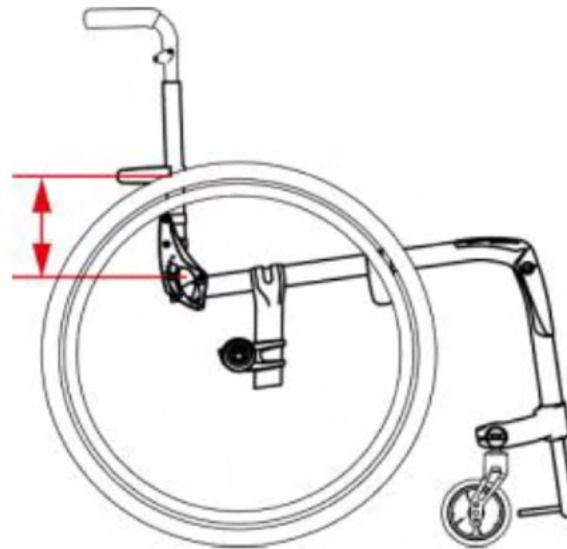
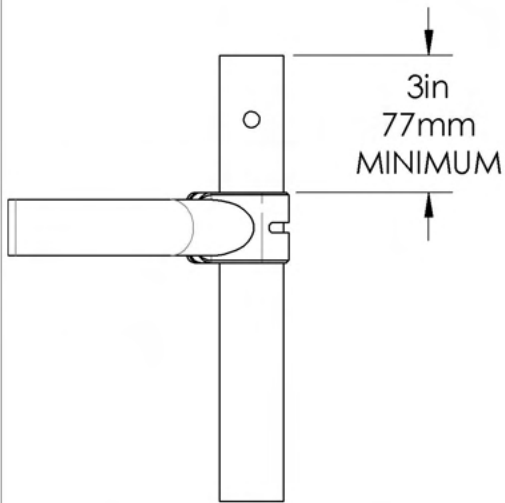
MAKE SURE TO HAVE YOUR SERIAL NUMBER NEARBY WHEN ORDERING PARTS FOR YOUR MOTION COMPOSITES WHEELCHAIR

9007380_9007423
Backrest - Aluminum, Ultralight

NOTE: PLEASE CONTACT OUR CUSTOMER SERVICE TO SET RIGIDIZER BAR HEIGHT

Standard Height is 5.5in (14.0cm)
 Lowest position is 4.25in (10.8cm)

COMPONENT MUST BE MACHINED AND ASSEMBLED BY MOTION COMPOSITES.



BACKREST DIMENSIONS		WIDTH in inches (cm)								
		12 (30.5)	13 (33.0)	14 (35.6)	15 (38.1)	16 (40.6)	17 (43.2)	18 (45.7)	19 (48.3)	20 (50.8)
HEIGHT in inches (cm)	9-12 (22.9-30.5)	9007380	9007385	9007390	9007395	9007400	9007405	9007410	9007415	9007420
	12-15 (30.5-38.1)	9007381	9007386	9007391	9007396	9007401	9007406	9007411	9007416	9007421
	15-18 (38.1-45.7)	9007382	9007387	9007392	9007397	9007402	9007407	9007412	9007417	9007422
	18-21 (45.7-53.3)	9007383	9007388	9007393	9007398	9007403	9007408	9007413	9007418	9007423

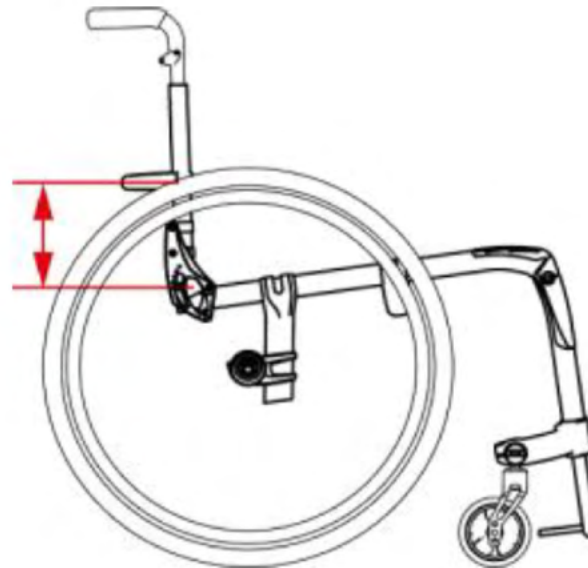
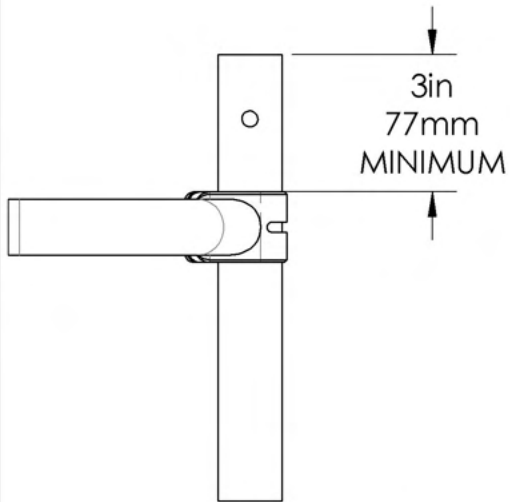
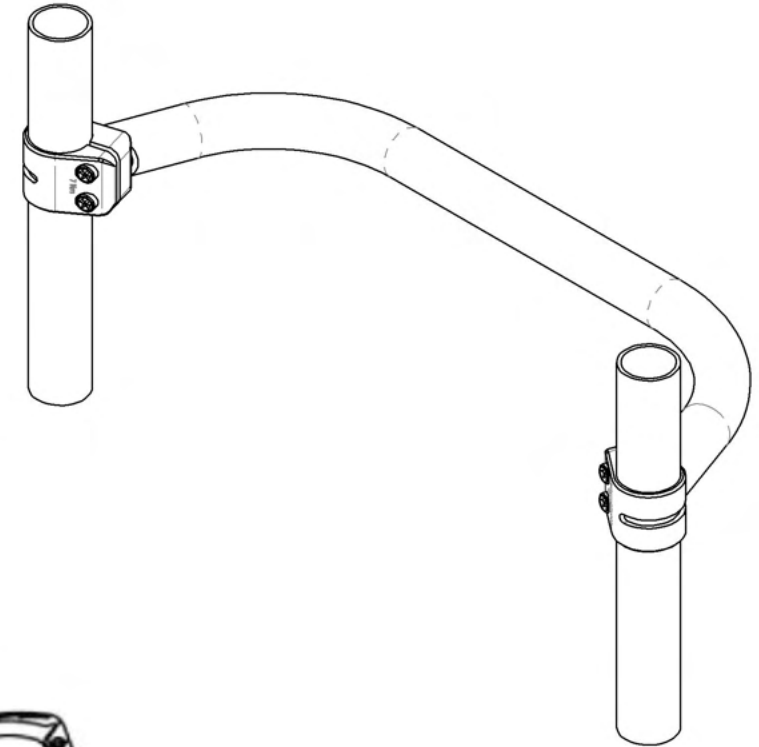
MAKE SURE TO HAVE YOUR SERIAL NUMBER NEARBY WHEN ORDERING PARTS FOR YOUR MOTION COMPOSITES WHEELCHAIR

9007520_9007553
Backrest - Aluminum, 4in Deep, Ultralight

NOTE: PLEASE CONTACT OUR CUSTOMER SERVICE TO SET RIGIDIZER BAR HEIGHT

Standard Height is 5.5in (14.0cm)
 Lowest position is 4.25in (10.8cm)

COMPONENT MUST BE MACHINED AND ASSEMBLED BY MOTION COMPOSITES.

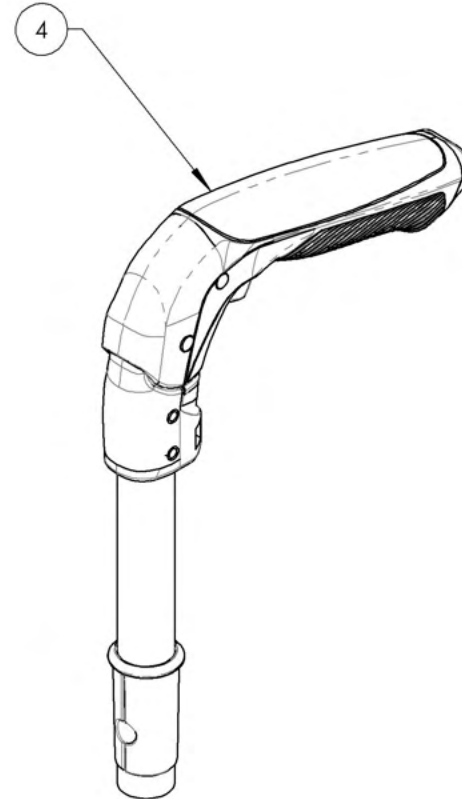
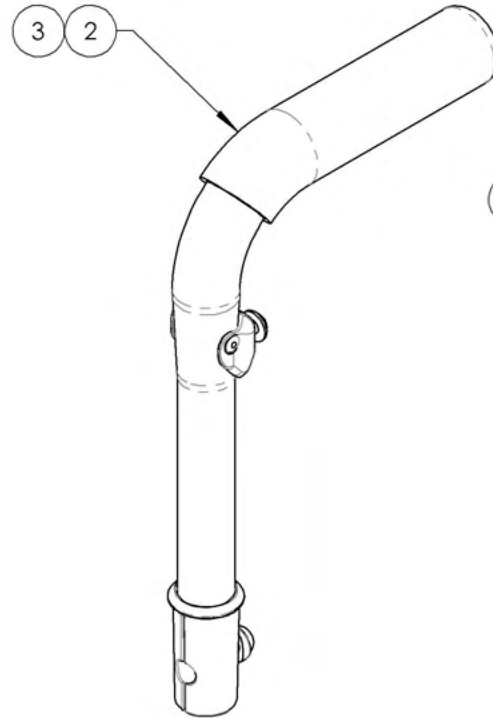
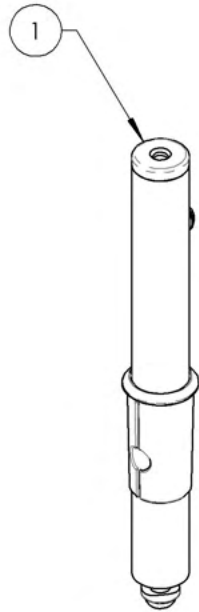


BACKREST DIMENSIONS		WIDTH in inches (cm)						
		14 (35.6)	15 (38.1)	16 (40.6)	17 (43.2)	18 (45.7)	19 (48.3)	20 (50.8)
HEIGHT in inches (cm)	9-12 (22.9-30.5)	9007520	9007525	9007530	9007535	9007540	9007545	9007550
	12-15 (30.5-38.1)	9007521	9007526	9007531	9007536	9007541	9007546	9007551
	15-18 (38.1-45.7)	9007522	9007527	9007532	9007537	9007542	9007547	9007552
	18-21 (45.7-53.3)	9007523	9007528	9007533	9007538	9007543	9007548	9007553

MAKE SURE TO HAVE YOUR SERIAL NUMBER NEARBY WHEN ORDERING PARTS FOR YOUR MOTION COMPOSITES WHEELCHAIR

Backrest Catalogue
Push Handles & Straight Extension

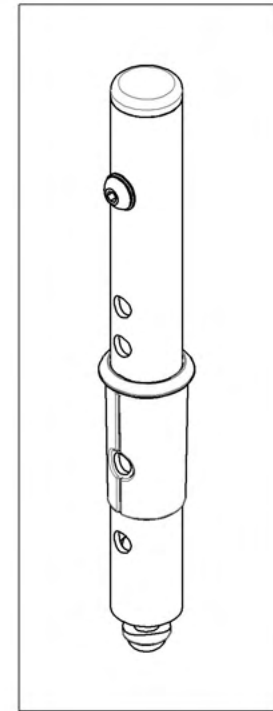
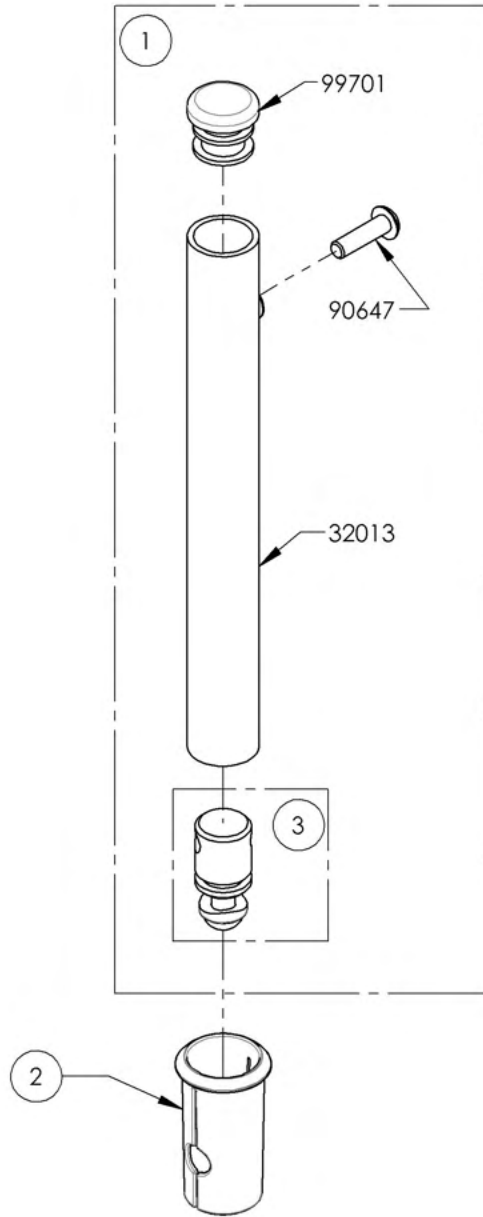
ITEM NO.	PARTNO	DESCRIPTION	QTY
1	9001286	Without Push Handle - Straight Extension	1
2	9001285	Push Handle - Adjustable	1
3	9002915	HD Push Handle - Adjustable	1
4	9003095	Push Handle - Fold Down, Adjustable	1



MAKE SURE TO HAVE YOUR SERIAL NUMBER
NEARBY WHEN ORDERING PARTS FOR YOUR
MOTION COMPOSITES WHEELCHAIR

9001286
Without Push Handle - Straight Extension

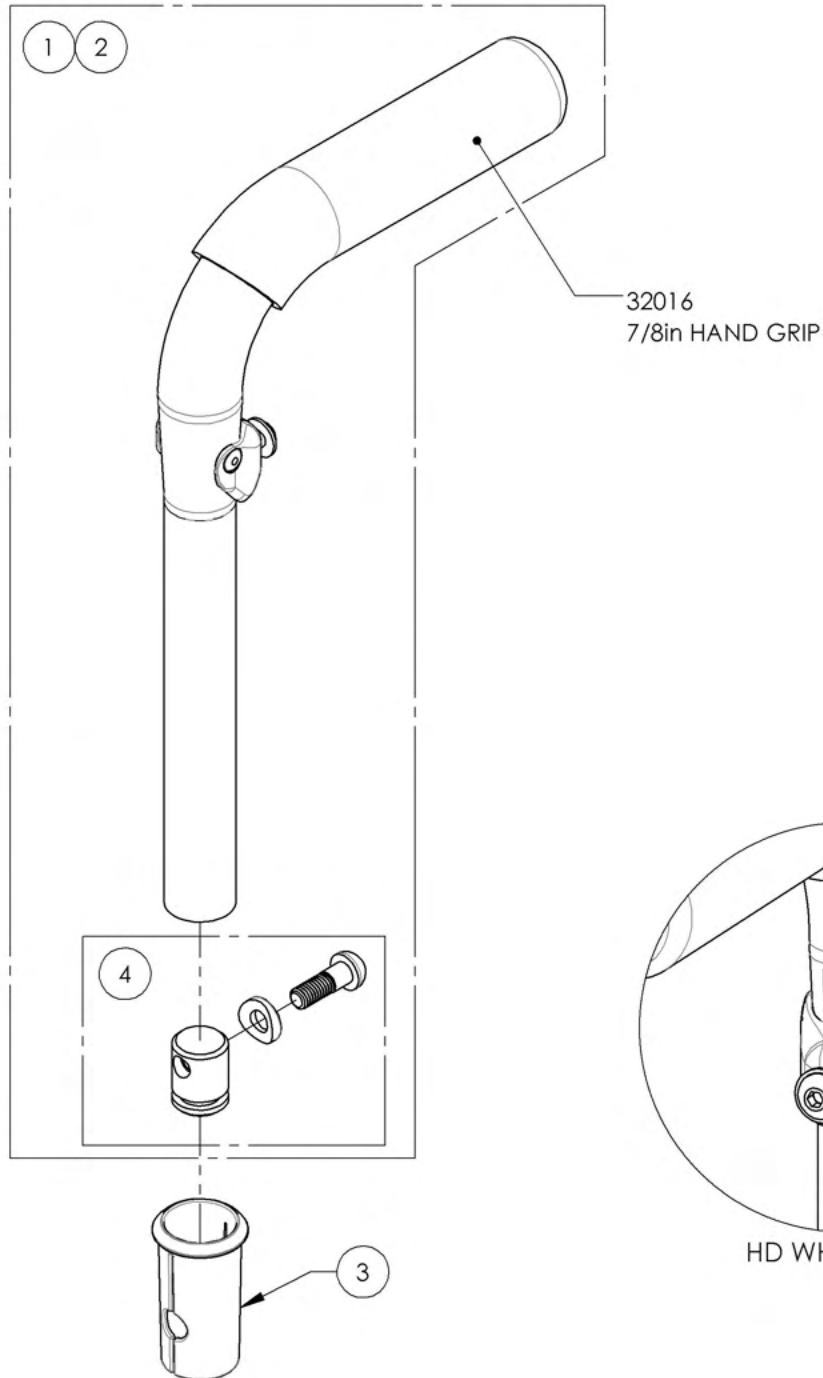
ITEM NO.	PARTNO	DESCRIPTION	9001286 /QTY.	REPLACEMENT PART/QTY.
1	32506	BACK EXTENSION - ASSEMBLY (M)	1	-
2	32017	PUSH HANDLE BACK SLEEVE	1	-
3	32514	DOWEL NUT PUSH HANDLE - ASSEMBLY (M)	-	1



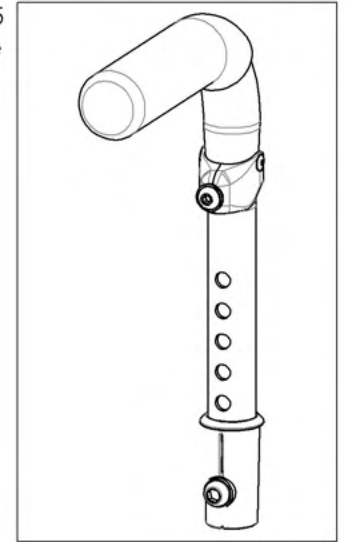
MAKE SURE TO HAVE YOUR SERIAL NUMBER
 NEARBY WHEN ORDERING PARTS FOR YOUR
 MOTION COMPOSITES WHEELCHAIR

**9001285 & 9002915
Standard & HD Push Handle - Adjustable**

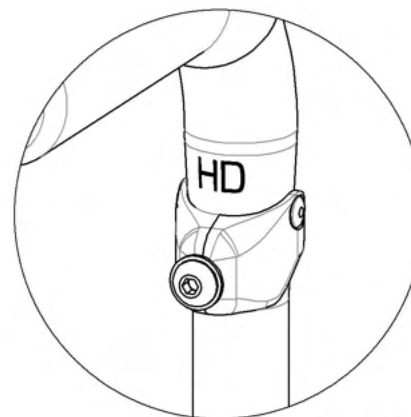
ITEM NO.	PARTNO	DESCRIPTION	9001285 /QTY.	9002915 /QTY.	REPLACEMENT PARTS/QTY.
1	32507	7_8" PUSH HANDLE - ASSEMBLY (M)	1	-	-
2	32533	7_8 in HD PUSH HANDLE - ASSEMBLY	-	1	-
3	32017	PUSH HANDLE BACK SLEEVE	1	1	-
4	32514	DOWEL NUT PUSH HANDLE - ASSEMBLY (M)	-	-	1



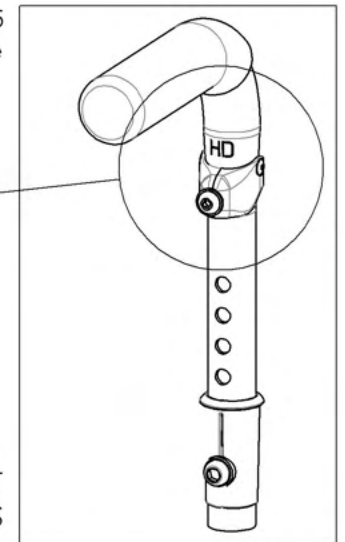
9001285
Push Handle - Adjustable



9002915
HD Push Handle - Adjustable



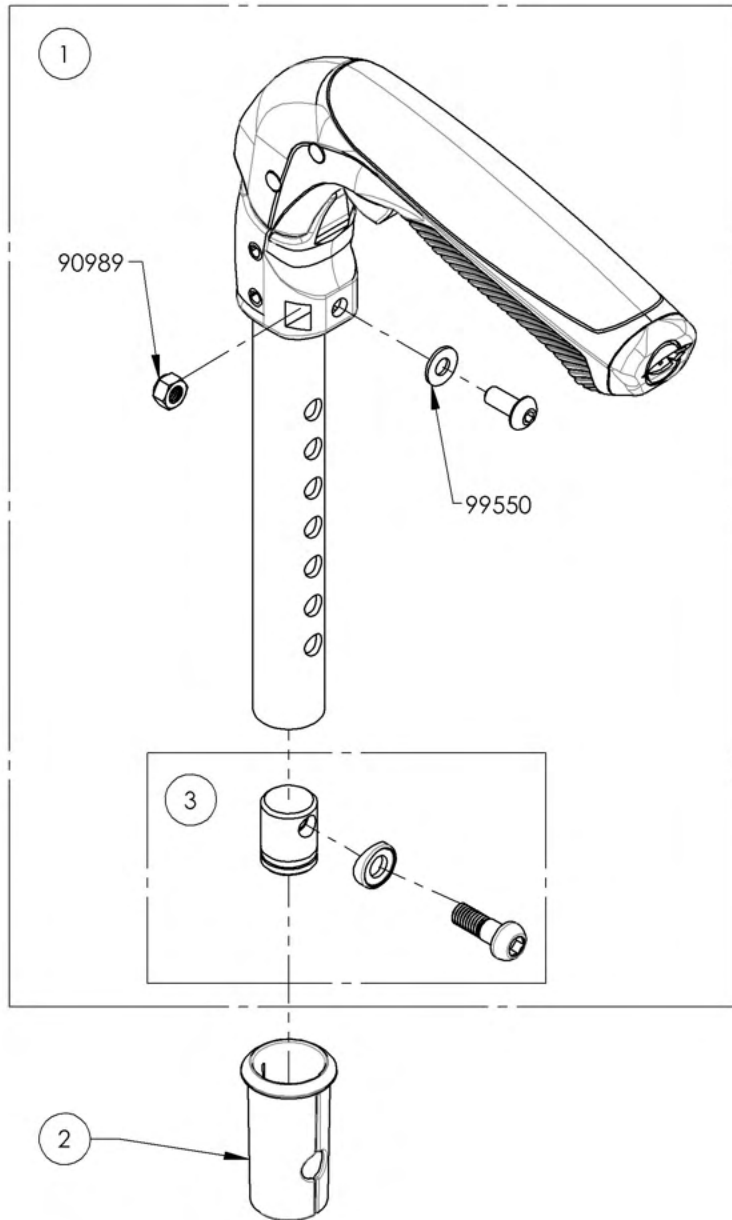
HD WHEELCHAIRS AND STROLLER HANDLE USERS MUST
USE THE HD VERSION OF THE PUSH HANDLES



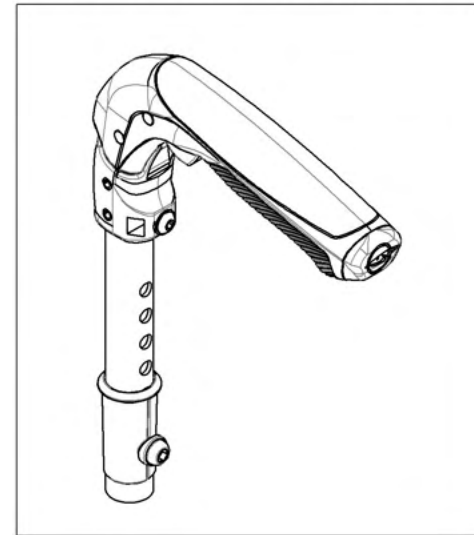
MAKE SURE TO HAVE YOUR SERIAL NUMBER
NEARBY WHEN ORDERING PARTS FOR YOUR
MOTION COMPOSITES WHEELCHAIR

9003095
Push Handle - Fold Down, Adjustable

ITEM NO.	PARTNO	DESCRIPTION	9003095 /QTY.	REPLACEMENT PARTS/QTY.
1	32542	FOLD DOWN PUSH HANDLE - ASSEMBLY	1	-
2	32017	PUSH HANDLE BACK SLEEVE	1	-
3	32514	DOWEL NUT PUSH HANDLE - ASSEMBLY (M)	-	1



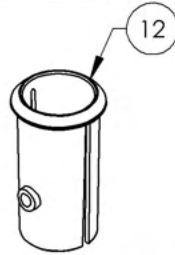
9003095
 Push Handle - Fold Down, Adjustable



MAKE SURE TO HAVE YOUR SERIAL NUMBER
 NEARBY WHEN ORDERING PARTS FOR YOUR
 MOTION COMPOSITES WHEELCHAIR

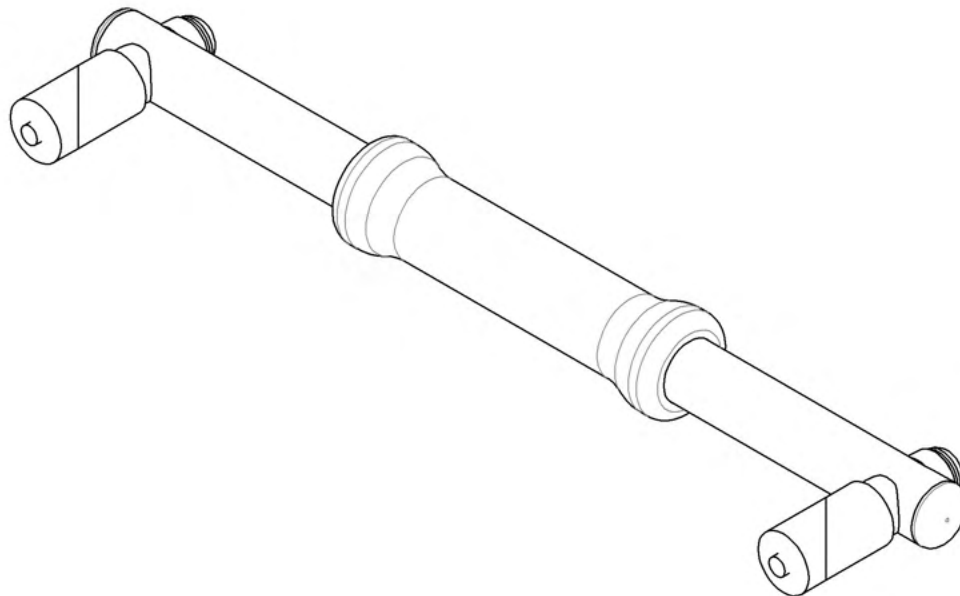
Backrests Catalogue
Newton Folding Stabilizer Bar

USE SLEEVE #9001003 IF THE NEWTON STABILIZER BAR (#9001594 TO #9001604) WILL BE INSTALLED WITH ALUMINUM STRAIGHT BACK CANES WITH INTEGRATED PUSH HANDLE (#9003298 OR #9003299)



ITEM NO.	PARTNO	DESCRIPTION	QTY.
1	9001594	Newton Stabilizer Bar - Folding, 12 in	1
2	9001595	Newton Stabilizer Bar - Folding, 13 in	1
3	9001596	Newton Stabilizer Bar - Folding, 14 in	1
4	9001597	Newton Stabilizer Bar - Folding, 15 in	1
5	9001598	Newton Stabilizer Bar - Folding, 16 in	1
6	9001599	Newton Stabilizer Bar - Folding, 17 in	1
7	9001600	Newton Stabilizer Bar - Folding, 18 in	1
8	9001601	Newton Stabilizer Bar - Folding, 19 in	1
9	9001602	Newton Stabilizer Bar - Folding, 20 in	1
10	9001603	Newton Stabilizer Bar - Folding, 21 in	1
11	9001604	Newton Stabilizer Bar - Folding, 22 in	1
12	9001003	Back Cane - Sleeve for Integrated Push Handle	1

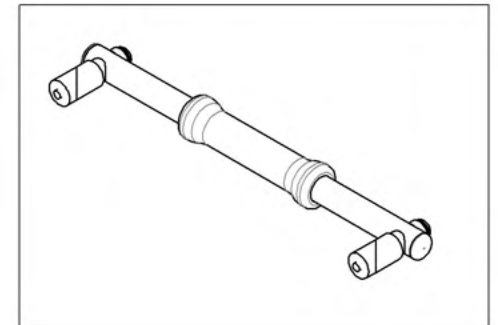
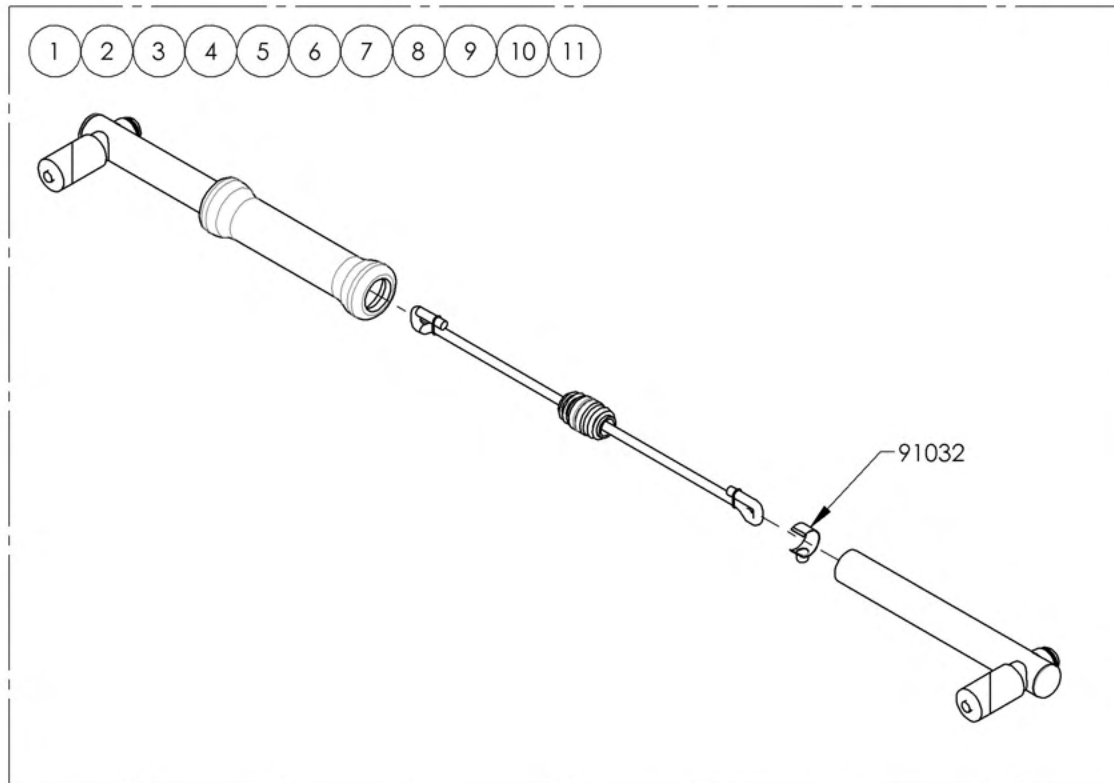
- 1
- 2
- 3
- 4
- 5
- 6
- 7
- 8
- 9
- 10
- 11



MAKE SURE TO HAVE YOUR SERIAL NUMBER NEARBY WHEN ORDERING PARTS FOR YOUR MOTION COMPOSITES WHEELCHAIR

**9001594 9001604
Newton Stabilizer Bar - Folding**

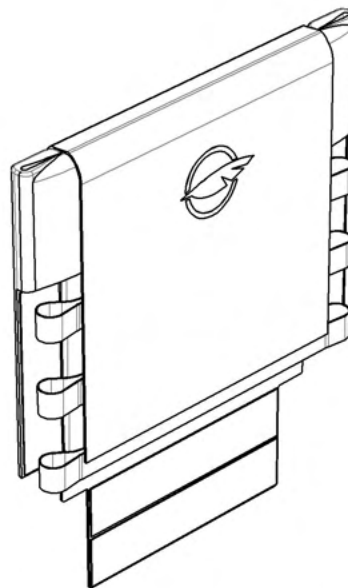
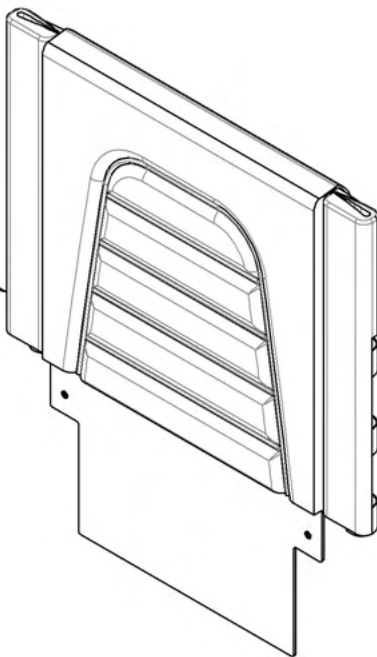
ITEM NO.	PARTNO	DESCRIPTION	9001594 /QTY.	9001595 /QTY.	9001596 /QTY.	9001597 /QTY.	9001598 /QTY.	9001599 /QTY.	9001600 /QTY.	9001601 /QTY.	9001602 /QTY.	9001603 /QTY.	9001604 /QTY.
1	60704	NEWTON FOLDING STABILIZER BAR 12 in - ASSEMBLY	1	-	-	-	-	-	-	-	-	-	-
2	60705	NEWTON FOLDING STABILIZER BAR 13 in - ASSEMBLY	-	1	-	-	-	-	-	-	-	-	-
3	60706	NEWTON FOLDING STABILIZER BAR 14 in - ASSEMBLY	-	-	1	-	-	-	-	-	-	-	-
4	60707	NEWTON FOLDING STABILIZER BAR 15 in - ASSEMBLY	-	-	-	1	-	-	-	-	-	-	-
5	60708	NEWTON FOLDING STABILIZER BAR 16 in - ASSEMBLY	-	-	-	-	1	-	-	-	-	-	-
6	60709	NEWTON FOLDING STABILIZER BAR 17 in - ASSEMBLY	-	-	-	-	-	1	-	-	-	-	-
7	60710	NEWTON FOLDING STABILIZER BAR 18 in - ASSEMBLY	-	-	-	-	-	-	1	-	-	-	-
8	60711	NEWTON FOLDING STABILIZER BAR 19 in - ASSEMBLY	-	-	-	-	-	-	-	1	-	-	-
9	60712	NEWTON FOLDING STABILIZER BAR 20 in - ASSEMBLY	-	-	-	-	-	-	-	-	1	-	-
10	60713	NEWTON FOLDING STABILIZER BAR 21 in - ASSEMBLY	-	-	-	-	-	-	-	-	-	1	-
11	60714	NEWTON FOLDING STABILIZER BAR 22 in - ASSEMBLY	-	-	-	-	-	-	-	-	-	-	1



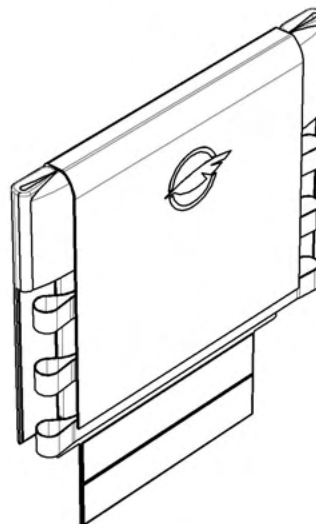
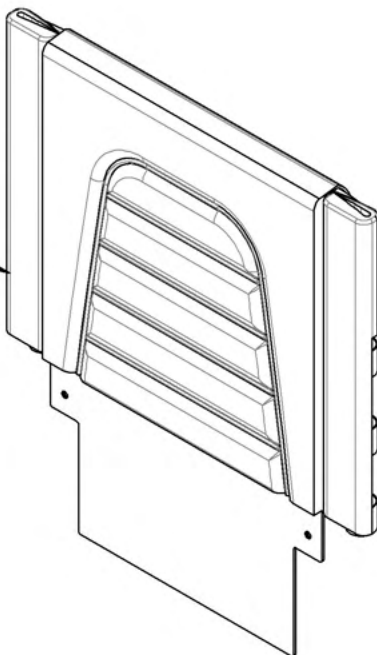
MAKE SURE TO HAVE YOUR SERIAL NUMBER
NEARBY WHEN ORDERING PARTS FOR YOUR
MOTION COMPOSITES WHEELCHAIR

Upholstery & Seating Catalogue
Back Upholstery - Slip On & Adjustable Tension, Syntech-Suede

SLIP ON BACK UPHOLSTERY SYNTECH-SUEDE
REFER TO ITEM
#9003571_9003614
FOR LENGTH & WIDTH



ADJUSTABLE TENSION BACK UPHOLSTERY
SYNTECH-SUEDE
REFER TO ITEM
#9003496_9003539
FOR LENGTH & WIDTH

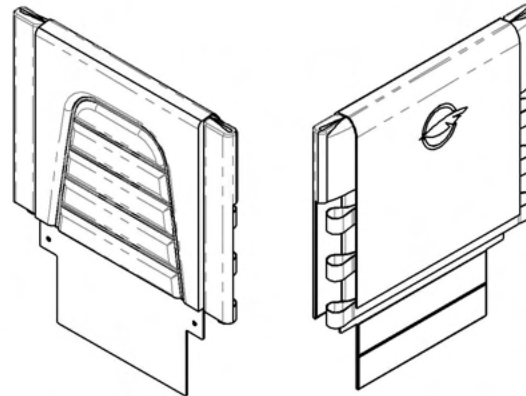
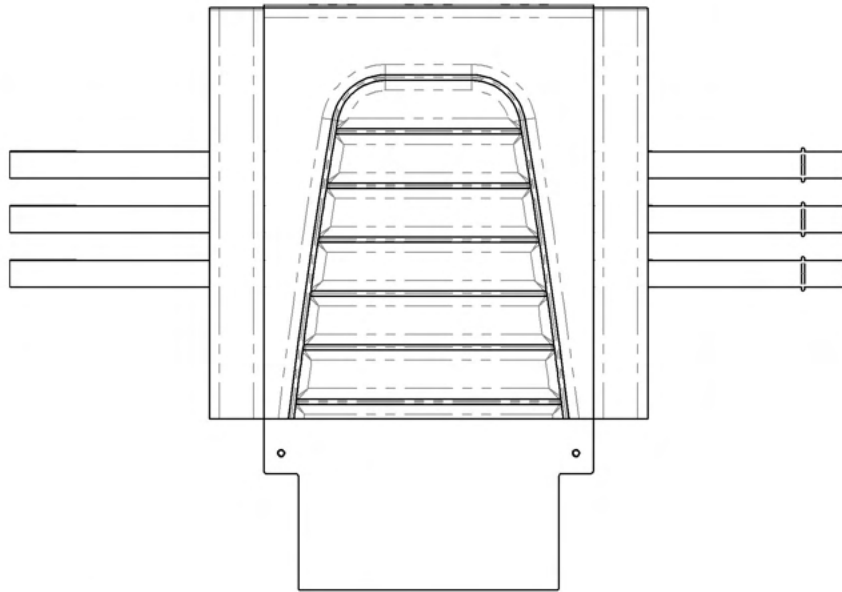


MAKE SURE TO HAVE YOUR SERIAL NUMBER
NEARBY WHEN ORDERING PARTS FOR YOUR
MOTION COMPOSITES WHEELCHAIR

9003571_9003614

Back Upholstery - Slip On, Syntech-Suede (Specify Size)

ALL BACKRESTS COME WITH AN APPROPRIATE
NUMBER OF BACKREST STRAPS



BACKREST STRAP REPLACEMENT



1in (25mm)

Backrest Strap Width

Part#	Backrest Width
	in (cm)
60205	12 (30.5)
60206	13 (33)
60207	14 (35.6)
60208	15 (38.1)
60209	16 (40.6)
60210	17 (43.2)
60211	18 (45.7)
60212	19 (48.3)
60213	20 (50.8)

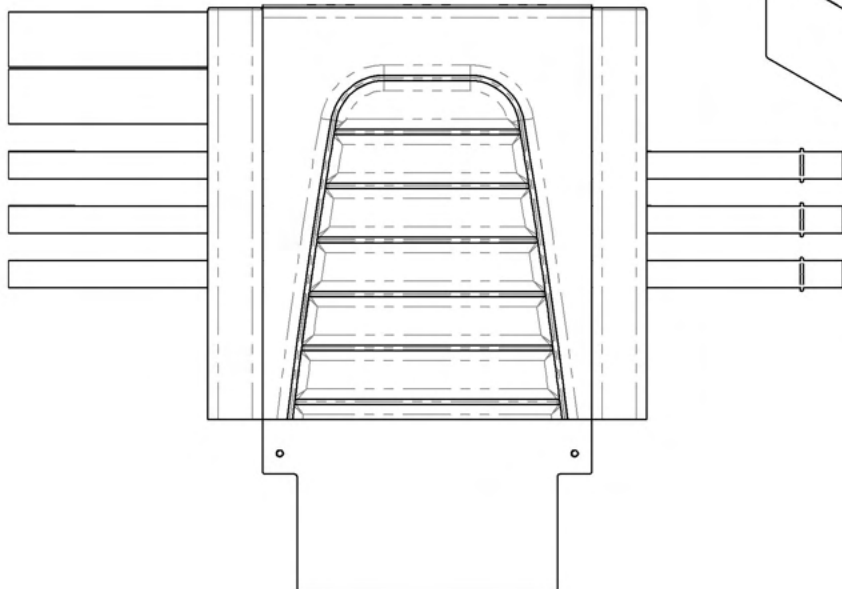
SYNTECH-SUEDE SLIP-ON BACK UPHOLSTERY		LENGTH in inches (cm)			
		9-12 (22.9-30.5)	12-15 (30.5-38.1)	15-18 (38.1-45.7)	18-21 (45.7-53.3)
WIDTH in inches (cm)	12 (30.5)	9003571	9003572	9003573	9003574
	13 (33.0)	9003576	9003577	9003578	9003579
	14 (35.6)	9003581	9003582	9003583	9003584
	15 (38.1)	9003586	9003587	9003588	9003589
	16 (40.6)	9003591	9003592	9003593	9003594
	17 (43.2)	9003596	9003597	9003598	9003599
	18 (45.7)	9003601	9003602	9003603	9003604
	19 (48.3)	9003606	9003607	9003608	9003609
	20 (50.8)	9003611	9003612	9003613	9003614

MAKE SURE TO HAVE YOUR SERIAL NUMBER
NEARBY WHEN ORDERING PARTS FOR YOUR
MOTION COMPOSITES WHEELCHAIR

9003496_9003539

Back Upholstery - Adjustable Tension, Syntech-Suede (Specify Size)

ALL BACKRESTS COME WITH AN APPROPRIATE NUMBER OF BACKREST STRAPS



BACKREST STRAP REPLACEMENT

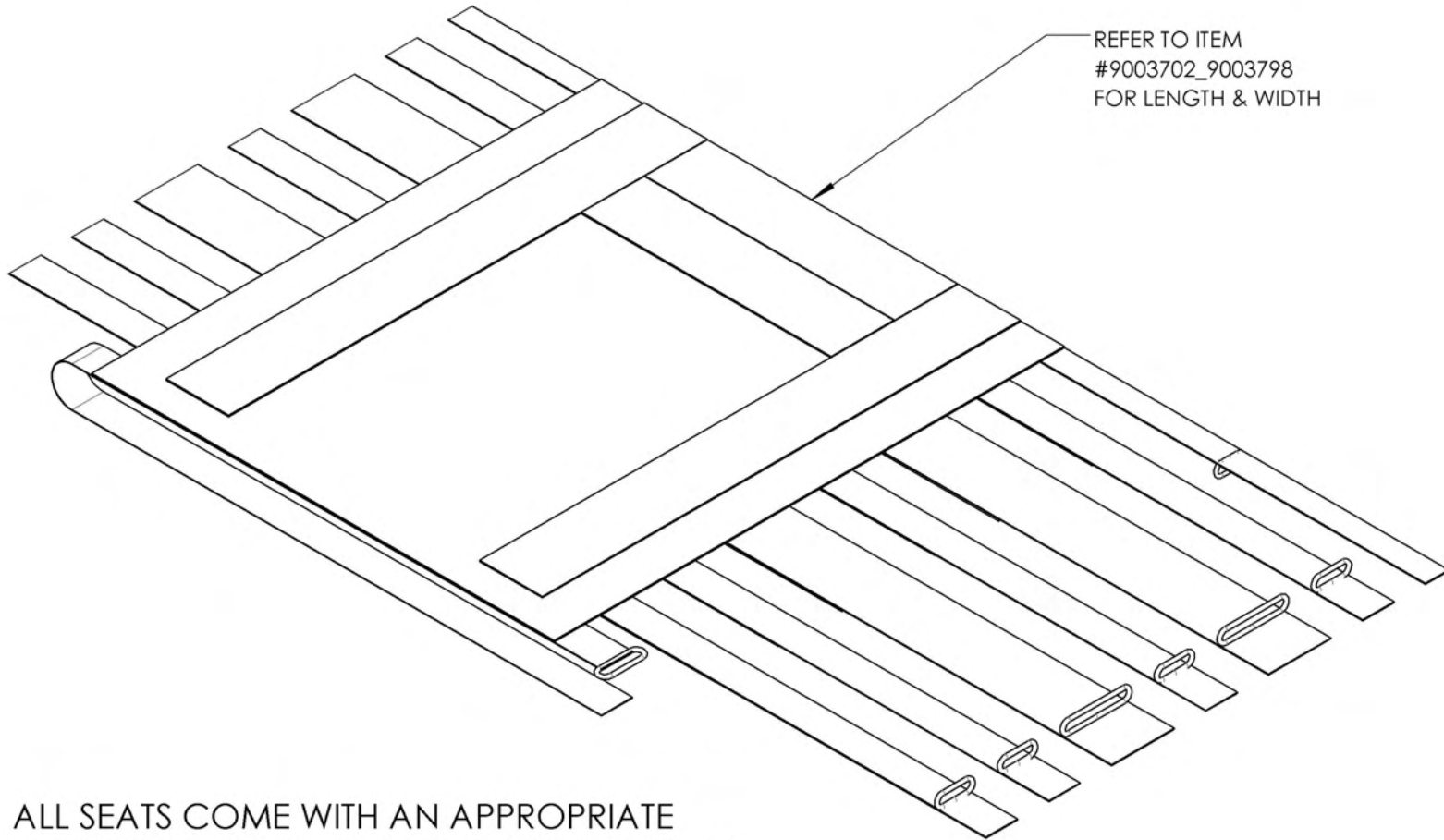


1in (25mm) Backrest Strap Width		2in (51mm) Backrest Strap Width	
Part#	Backrest Width in (cm)	Part#	Backrest Width in (cm)
60205	12 (30.5)	60218	12 (30.5)
60206	13 (33)	60219	13 (33)
60207	14 (35.6)	60220	14 (35.6)
60208	15 (38.1)	60221	15 (38.1)
60209	16 (40.6)	60222	16 (40.6)
60210	17 (43.2)	60223	17 (43.2)
60211	18 (45.7)	60224	18 (45.7)
60212	19 (48.3)	60225	19 (48.3)
60213	20 (50.8)	60226	20 (50.8)

SYNTECH-SUEDE ADJUSTABLE TENSION BACK UPHOLSTERY		LENGTH in inches (cm)			
		9-12 (22.9-30.5)	12-15 (30.5-38.1)	15-18 (38.1-45.7)	18-21 (45.7-53.3)
WIDTH in inches (cm)	12 (30.5)	9003496	9003497	9003498	9003499
	13 (33.0)	9003501	9003502	9003503	9003504
	14 (35.6)	9003506	9003507	9003508	9003509
	15 (38.1)	9003511	9003512	9003513	9003514
	16 (40.6)	9003516	9003517	9003518	9003519
	17 (43.2)	9003521	9003522	9003523	9003524
	18 (45.7)	9003526	9003527	9003528	9003529
	19 (48.3)	9003531	9003532	9003533	9003534
	20 (50.8)	9003536	9003537	9003538	9003539

MAKE SURE TO HAVE YOUR SERIAL NUMBER NEARBY WHEN ORDERING PARTS FOR YOUR MOTION COMPOSITES WHEELCHAIR

Upholstery & Seating Catalogue
Rigid Frame Seat Sling with Hook



REFER TO ITEM
#9003702_9003798
FOR LENGTH & WIDTH

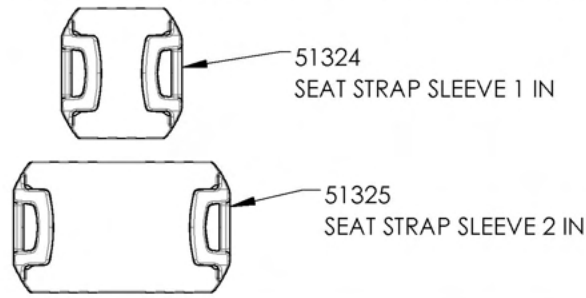
ALL SEATS COME WITH AN APPROPRIATE
NUMBER OF SEAT STRAPS & SEAT STRAP SLEEVES

MAKE SURE TO HAVE YOUR SERIAL NUMBER
NEARBY WHEN ORDERING PARTS FOR YOUR
MOTION COMPOSITES WHEELCHAIR

9003702_9003798

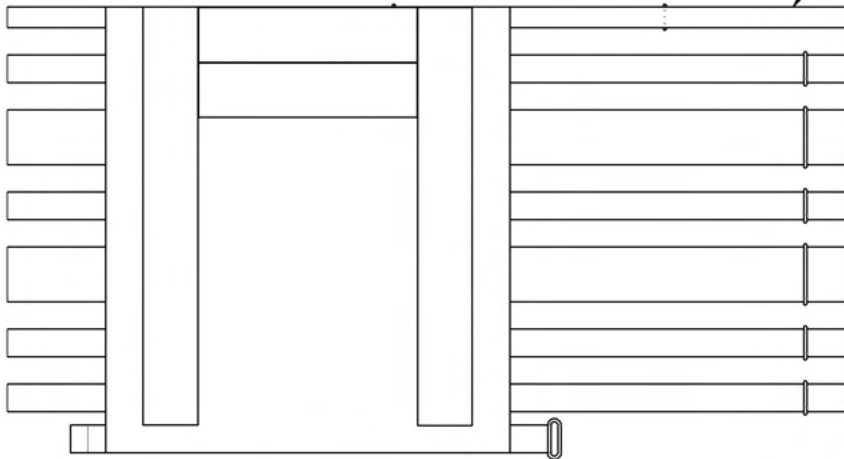
Rigid Frame Seat Sling with Hook (Specify Size)

SEAT STRAP SLEEVE REPLACEMENT

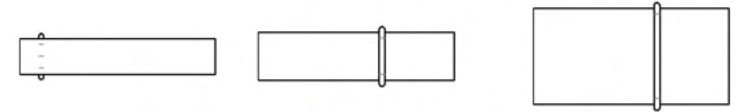


ALL SEATS COME WITH AN APPROPRIATE NUMBER OF SEAT STRAPS & SEAT STRAP SLEEVES

0.75in (19mm) WIDTH STRAP ONLY USED FOR THE END OF SEAT SLING



SEAT STRAP REPLACEMENT

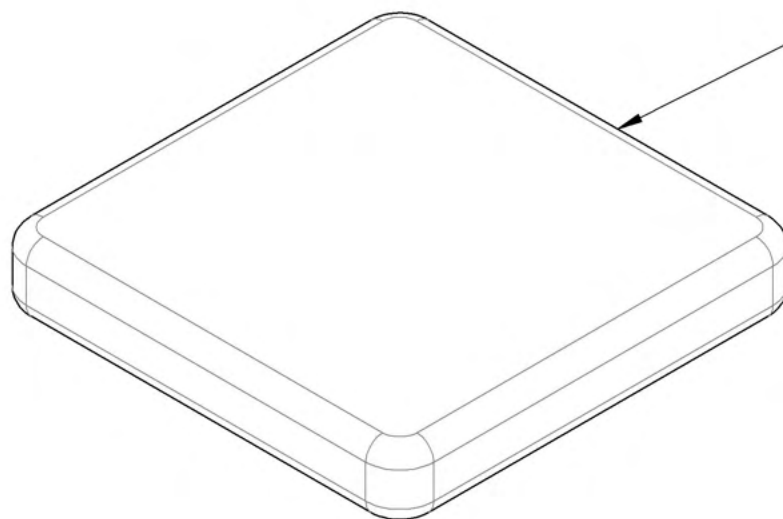


0.75in (19mm) Seat Strap Width		1in (25mm) Seat Strap Width		2in (51mm) Seat Strap Width	
Part#	Seat Width in (cm)	Part#	Seat Width in (cm)	Part#	Seat Width in (cm)
60137	10 (25.4)	60111	10 (25.4)	60124	10 (25.4)
60138	11 (27.9)	60112	11 (27.9)	60125	11 (27.9)
60139	12 (30.5)	60113	12 (30.5)	60126	12 (30.5)
60140	13 (33)	60114	13 (33)	60127	13 (33)
60141	14 (35.6)	60115	14 (35.6)	60128	14 (35.6)
60142	15 (38.1)	60116	15 (38.1)	60129	15 (38.1)
60143	16 (40.6)	60117	16 (40.6)	60130	16 (40.6)
60144	17 (43.2)	60118	17 (43.2)	60131	17 (43.2)
60145	18 (45.7)	60119	18 (45.7)	60132	18 (45.7)
60146	19 (48.3)	60120	19 (48.3)	60133	19 (48.3)
60147	20 (50.8)	60121	20 (50.8)	60134	20 (50.8)

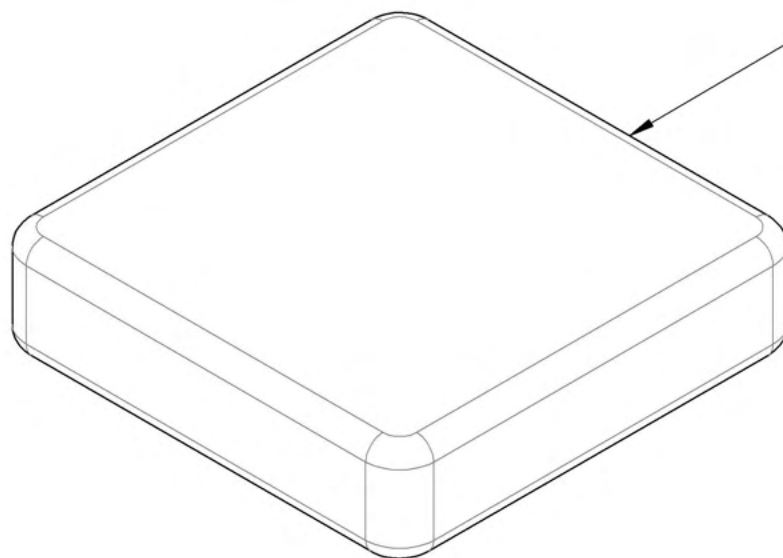
BACKREST DIMENSIONS		LENGTH in inches (cm)								
		12 (30.5)	13 (33.0)	14 (35.6)	15 (38.1)	16 (40.6)	17 (43.2)	18 (45.7)	19 (48.3)	20 (50.8)
WIDTH in inches (cm)	12 (30.5)	9003702	9003703	9003704	9003705	9003706	9003707	9003708	9003709	9003710
	13 (33.0)	9003713	9003714	9003715	9003716	9003717	9003718	9003719	9003720	9003721
	14 (35.6)	9003724	9003725	9003726	9003727	9003728	9003729	9003730	9003731	9003732
	15 (38.1)	9003735	9003736	9003737	9003738	9003739	9003740	9003741	9003742	9003743
	16 (40.6)	9003746	9003747	9003748	9003749	9003750	9003751	9003752	9003753	9003754
	17 (43.2)	9003757	9003758	9003759	9003760	9003761	9003762	9003763	9003764	9003765
	18 (45.7)	9003768	9003769	9003770	9003771	9003772	9003773	9003774	9003775	9003776
	19 (48.3)	9003779	9003780	9003781	9003782	9003783	9003784	9003785	9003786	9003787
	20 (50.8)	9003790	9003791	9003792	9003793	9003794	9003795	9003796	9003797	9003798

MAKE SURE TO HAVE YOUR SERIAL NUMBER NEARBY WHEN ORDERING PARTS FOR YOUR MOTION COMPOSITES WHEELCHAIR

**Upholstery & Seating Catalogue
Cushions**



2 in CUSHIONS
REFER TO ITEM
#9001934_9002032 (with Loop)
or
#9002645_9002743 (with Hook)
for LENGTH & WIDTH

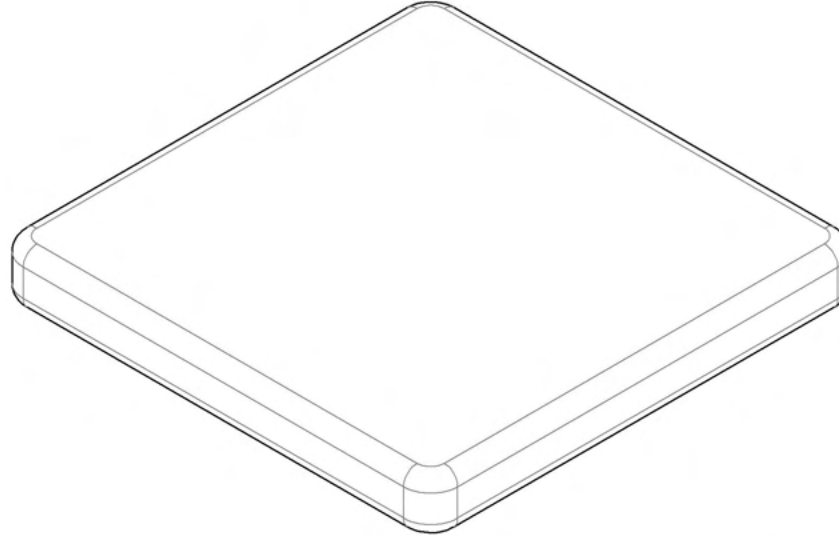


3 in CUSHIONS
REFER TO ITEM
#9002033_9002131 (with Loop)
or
#9002744_9002842 (with Hook)
for LENGTH & WIDTH

MAKE SURE TO HAVE YOUR SERIAL NUMBER
NEARBY WHEN ORDERING PARTS FOR YOUR
MOTION COMPOSITES WHEELCHAIR

9001934_9002032

Cushion 2 in with Velcro Loop (Specify Size)



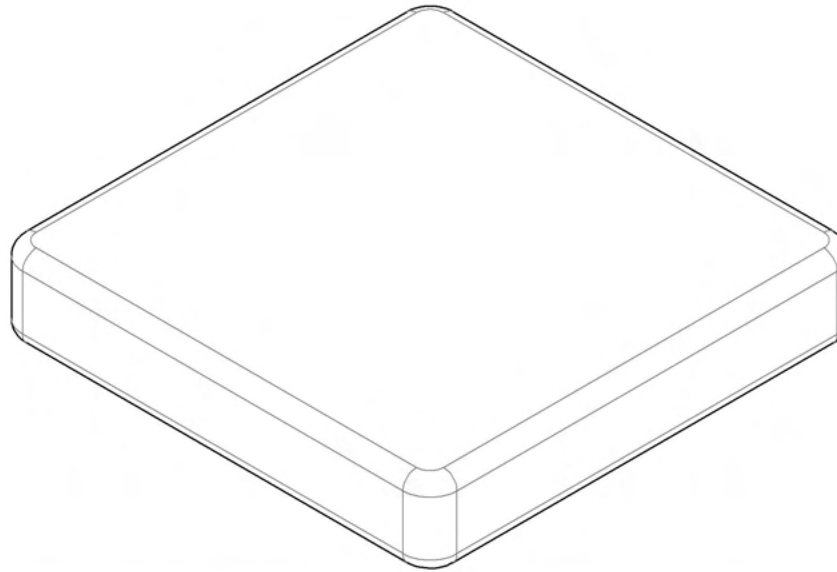
2 in CUSHIONS PART NUMBERS FOR THE APPROPRIATE LENGTH AND WIDTH

		LENGTH in inches (cm)								
		12 (30.5)	13 (33.0)	14 (35.6)	15 (38.1)	16 (40.6)	17 (43.2)	18 (45.7)	19 (48.3)	20 (50.8)
WIDTH in inches (cm)	12 (30.5)	9001934	9001935	9001936	9001937	9001938	9001939	9001940	9001941	9001942
	13 (33.0)	9001943	9001944	9001945	9001946	9001947	9001948	9001949	9001950	9001951
	14 (35.6)	9001952	9001953	9001954	9001955	9001956	9001957	9001958	9001959	9001960
	15 (38.1)	9001961	9001962	9001963	9001964	9001965	9001966	9001967	9001968	9001969
	16 (40.6)	9001970	9001971	9001972	9001973	9001974	9001975	9001976	9001977	9001978
	17 (43.2)	9001979	9001980	9001981	9001982	9001983	9001984	9001985	9001986	9001987
	18 (45.7)	9001988	9001989	9001990	9001991	9001992	9001993	9001994	9001995	9001996
	19 (48.3)	9001997	9001998	9001999	9002000	9002001	9002002	9002003	9002004	9002005
	20 (50.8)	9002006	9002007	9002008	9002009	9002010	9002011	9002012	9002013	9002014
	21 (53.3)	9002015	9002016	9002017	9002018	9002019	9002020	9002021	9002022	9002023
22 (55.9)	9002024	9002025	9002026	9002027	9002028	9002029	9002030	9002031	9002032	

MAKE SURE TO HAVE YOUR SERIAL NUMBER
NEARBY WHEN ORDERING PARTS FOR YOUR
MOTION COMPOSITES WHEELCHAIR

9002033 9002131

Cushion 3 in with Velcro Loop (Specify Size)



3 in CUSHIONS PART NUMBERS FOR THE APPROPRIATE LENGTH AND WIDTH

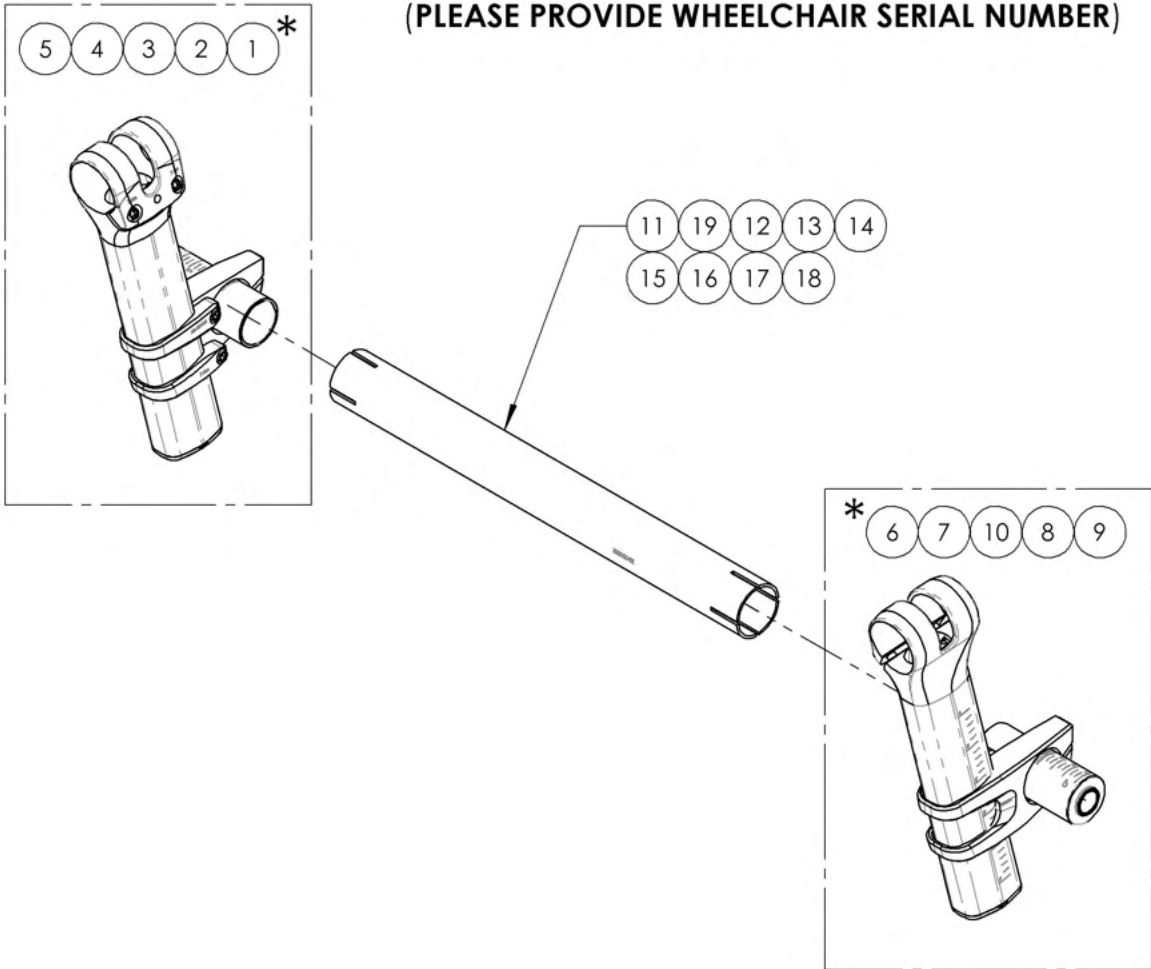
		LENGTH in inches (cm)								
		12 (30.5)	13 (33.0)	14 (35.6)	15 (38.1)	16 (40.6)	17 (43.2)	18 (45.7)	19 (48.3)	20 (50.8)
WIDTH in inches (cm)	12 (30.5)	9002033	9002034	9002035	9002036	9002037	9002038	9002039	9002040	9002041
	13 (33.0)	9002042	9002043	9002044	9002045	9002046	9002047	9002048	9002049	9002050
	14 (35.6)	9002051	9002052	9002053	9002054	9002055	9002056	9002057	9002058	9002059
	15 (38.1)	9002060	9002061	9002062	9002063	9002064	9002065	9002066	9002067	9002068
	16 (40.6)	9002069	9002070	9002071	9002072	9002073	9002074	9002075	9002076	9002077
	17 (43.2)	9002078	9002079	9002080	9002081	9002082	9002083	9002084	9002085	9002086
	18 (45.7)	9002087	9002088	9002089	9002090	9002091	9002092	9002093	9002094	9002095
	19 (48.3)	9002096	9002097	9002098	9002099	9002100	9002101	9002102	9002103	9002104
	20 (50.8)	9002105	9002106	9002107	9002108	9002109	9002110	9002111	9002112	9002113
	21 (53.3)	9002114	9002115	9002116	9002117	9002118	9002119	9002120	9002121	9002122
22 (55.9)	9002123	9002124	9002125	9002126	9002127	9002128	9002129	9002130	9002131	

MAKE SURE TO HAVE YOUR SERIAL NUMBER
NEARBY WHEN ORDERING PARTS FOR YOUR
MOTION COMPOSITES WHEELCHAIR

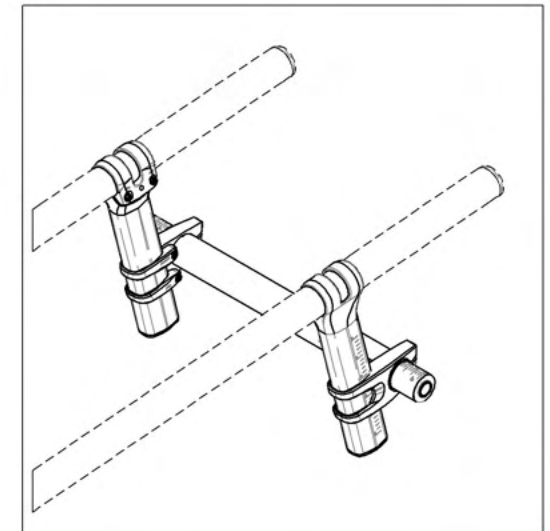
Rear Wheels Catalogue
Rear Wheel Mounting Tube

*NOTE: PLEASE CONTACT OUR CUSTOMER SERVICE BEFORE TO ORDER THE REAR WHEL MOUNTING TUBE (#9003636 to #9003648)

COMPONENT MUST BE MACHINED BY MOTION COMPOSITES BASED ON WHEELCHAIR SPECS
(PLEASE PROVIDE WHEELCHAIR SERIAL NUMBER)



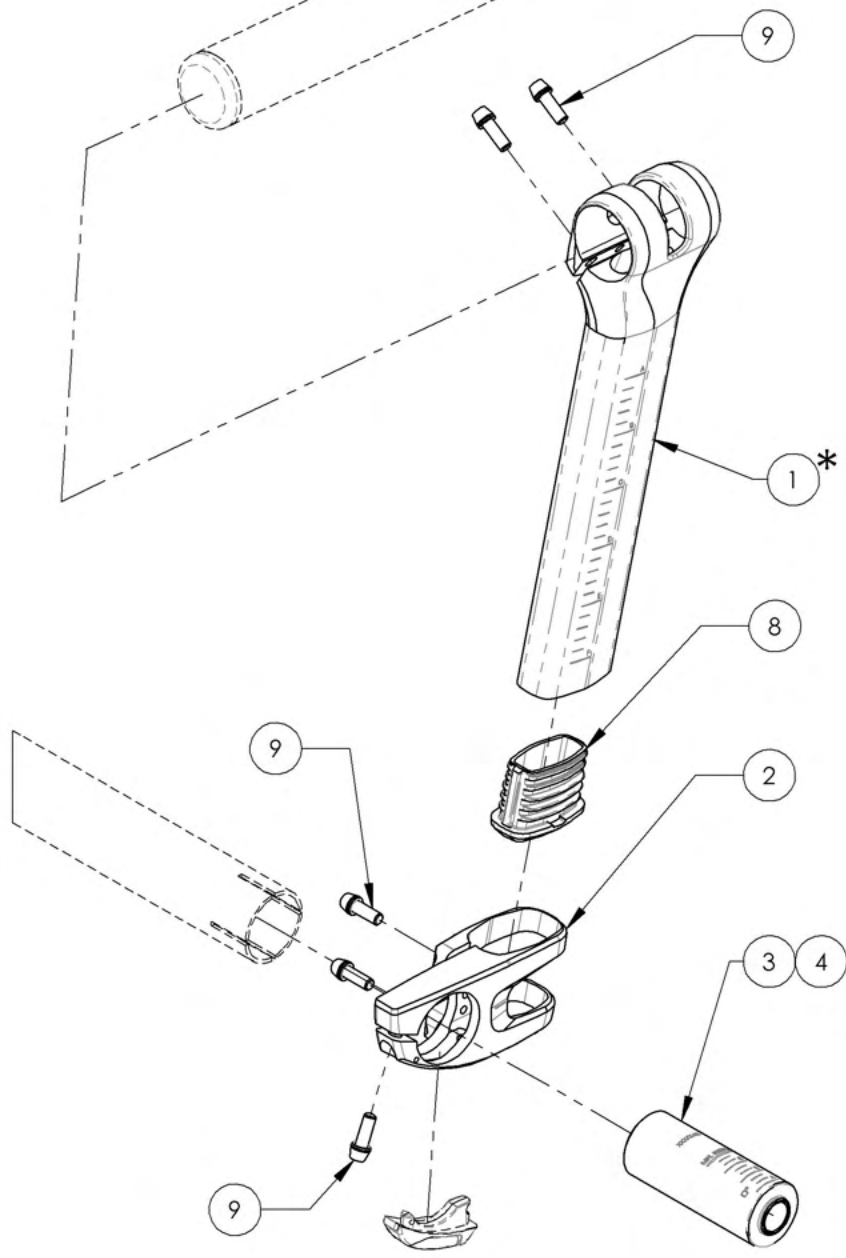
ITEM NO.	PARTNO	DESCRIPTION	QTY
1*	9003636	Rear Wheel - Mounting Tube, Right, 0 DEG Camber Angle	1
2*	9003637	Rear Wheel - Mounting Tube, Right, 2 DEG Camber Angle	1
3*	9003638	Rear Wheel - Mounting Tube, Right, 4 DEG Camber Angle	1
4*	9003639	Rear Wheel - Mounting Tube, Right, 6 DEG Camber Angle	1
5*	9003640	Rear Wheel - Mounting Tube, Right, 8 DEG Camber Angle	1
6*	9003644	Rear Wheel - Mounting Tube, Left, 0 DEG Camber Angle	1
7*	9003645	Rear Wheel - Mounting Tube, Left, 2 DEG Camber Angle	1
8*	9003646	Rear Wheel - Mounting Tube, Left, 4 DEG Camber Angle	1
9*	9003647	Rear Wheel - Mounting Tube, Left, 6 DEG Camber Angle	1
10*	9003648	Rear Wheel - Mounting Tube, Left, 8 DEG Camber Angle	1
11	9003104	Camber Tube - Carbon Fiber, 12 in Width	1
12	9003105	Camber Tube - Carbon Fiber, 13 in Width	1
13	9003106	Camber Tube - Carbon Fiber, 14 in Width	1
14	9003107	Camber Tube - Carbon Fiber, 15 in Width	1
15	9003108	Camber Tube - Carbon Fiber, 16 in Width	1
16	9003109	Camber Tube - Carbon Fiber, 17 in Width	1
17	9003110	Camber Tube - Carbon Fiber, 18 in Width	1
18	9003111	Camber Tube - Carbon Fiber, 19 in Width	1
19	9003112	Camber Tube - Carbon Fiber, 20 in Width	1



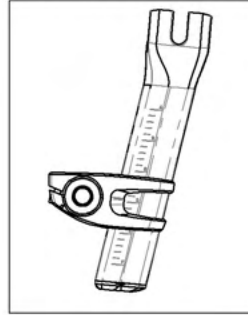
MAKE SURE TO HAVE YOUR SERIAL NUMBER NEARBY WHEN ORDERING PARTS FOR YOUR MOTION COMPOSITES WHEELCHAIR

9003636_9003640
Rear Wheel - Mounting Tube, Right

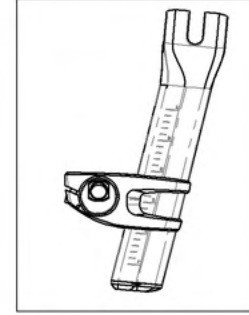
ITEM NO.	PARTNO	DESCRIPTION	9003636 /QTY.	9003637 /QTY.	9003638 /QTY.	9003639 /QTY.	9003640 /QTY.
1*	21601	RIGHT REAR WHEEL MOUNTING TUBE	1	1	1	1	1
2	21602	RIGHT CAMBER TUBE CLAMP	1	1	1	1	1
3	21043	REAR AXLE BUSHING 0°	1	-	-	-	-
4	21044	REAR AXLE BUSHING 2°	-	1	-	-	-
5	21045	REAR AXLE BUSHING 4°	-	-	1	-	-
6	21046	REAR AXLE BUSHING 6°	-	-	-	1	-
7	21047	REAR AXLE BUSHING 8°	-	-	-	-	1
8	21614	REAR WHEEL SUPPORT PLASTIC END CAP - BLACK	1	1	1	1	1
9	92024	TAPER HEAD CAP SCREW+WASHER M5X0.8 X 14mm LONG, FULLY THREADED + BLUE THREADLOCKER	5	5	5	5	5



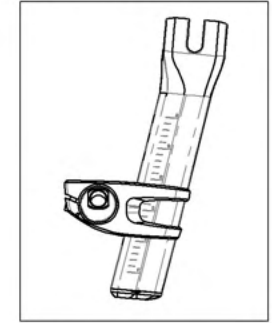
9003636
 Rear Wheel - Mounting Tube,
 Right, 0 DEG Camber Angle



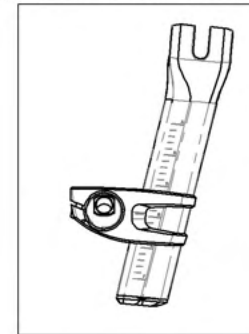
9003637
 Rear Wheel - Mounting Tube,
 Right, 2 DEG Camber Angle



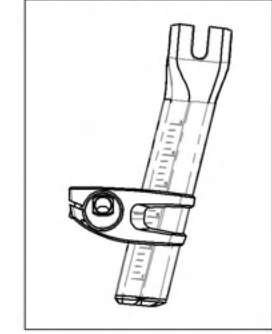
9003638
 Rear Wheel - Mounting Tube,
 Right, 4 DEG Camber Angle



9003639
 Rear Wheel - Mounting Tube,
 Right, 6 DEG Camber Angle



9003640
 Rear Wheel - Mounting Tube,
 Right, 8 DEG Camber Angle

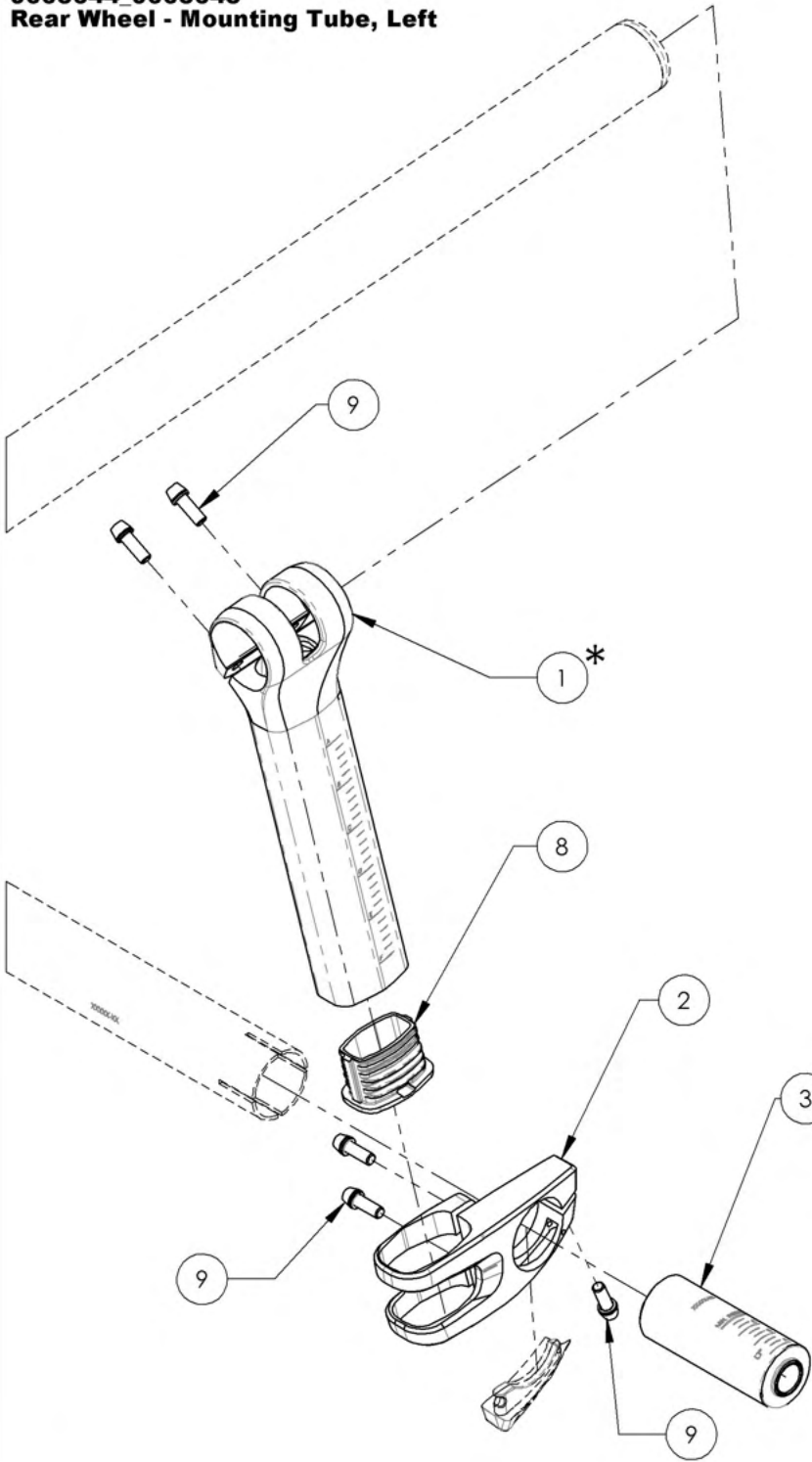


***NOTE: PLEASE CONTACT OUR CUSTOMER SERVICE BEFORE TO ORDER THE REAR WHEL MOUNTING TUBE (#21601)**

COMPONENT MUST BE MACHINED BY MOTION COMPOSITES BASED ON WHEELCHAIR SPECS (PLEASE PROVIDE WHEELCHAIR SERIAL NUMBER)

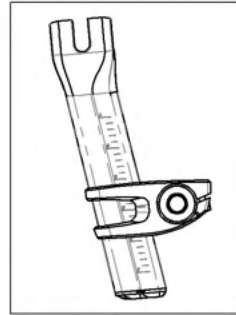
MAKE SURE TO HAVE YOUR SERIAL NUMBER NEARBY WHEN ORDERING PARTS FOR YOUR MOTION COMPOSITES WHEELCHAIR

9003644_9003648
Rear Wheel - Mounting Tube, Left

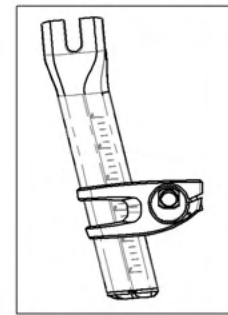


ITEM NO.	PARTNO	DESCRIPTION	9003644 /QTY.	9003645 /QTY.	9003646 /QTY.	9003647 /QTY.	9003648 /QTY.
1*	21600	LEFT REAR WHEEL MOUNTING TUBE	1	1	1	1	1
2	21603	LEFT CAMBER TUBE CLAMP	1	1	1	1	1
3	21043	REAR AXLE BUSHING 0°	1	-	-	-	-
4	21044	REAR AXLE BUSHING 2°	-	1	-	-	-
5	21045	REAR AXLE BUSHING 4°	-	-	1	-	-
6	21046	REAR AXLE BUSHING 6°	-	-	-	1	-
7	21047	REAR AXLE BUSHING 8°	-	-	-	-	1
8	21614	REAR WHEEL SUPPORT PLASTIC END CAP - BLACK	1	1	1	1	1
9	92024	TAPER HEAD CAP SCREW+WASHER M5X0.8 X 14mm LONG, FULLY THREADED + BLUE THREADLOCKER	5	5	5	5	5

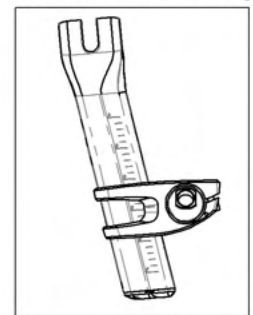
9003644
 Rear Wheel - Mounting Tube,
 Left, 0 DEG Camber Angle



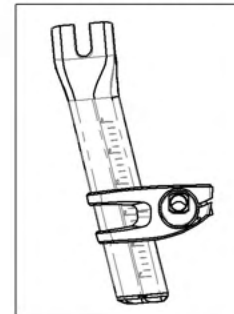
9003645
 Rear Wheel - Mounting Tube,
 Left, 2 DEG Camber Angle



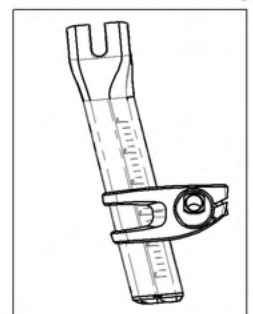
9003646
 Rear Wheel - Mounting Tube,
 Left, 4 DEG Camber Angle



9003647
 Rear Wheel - Mounting Tube,
 Left, 6 DEG Camber Angle



9003648
 Rear Wheel - Mounting Tube,
 Left, 8 DEG Camber Angle

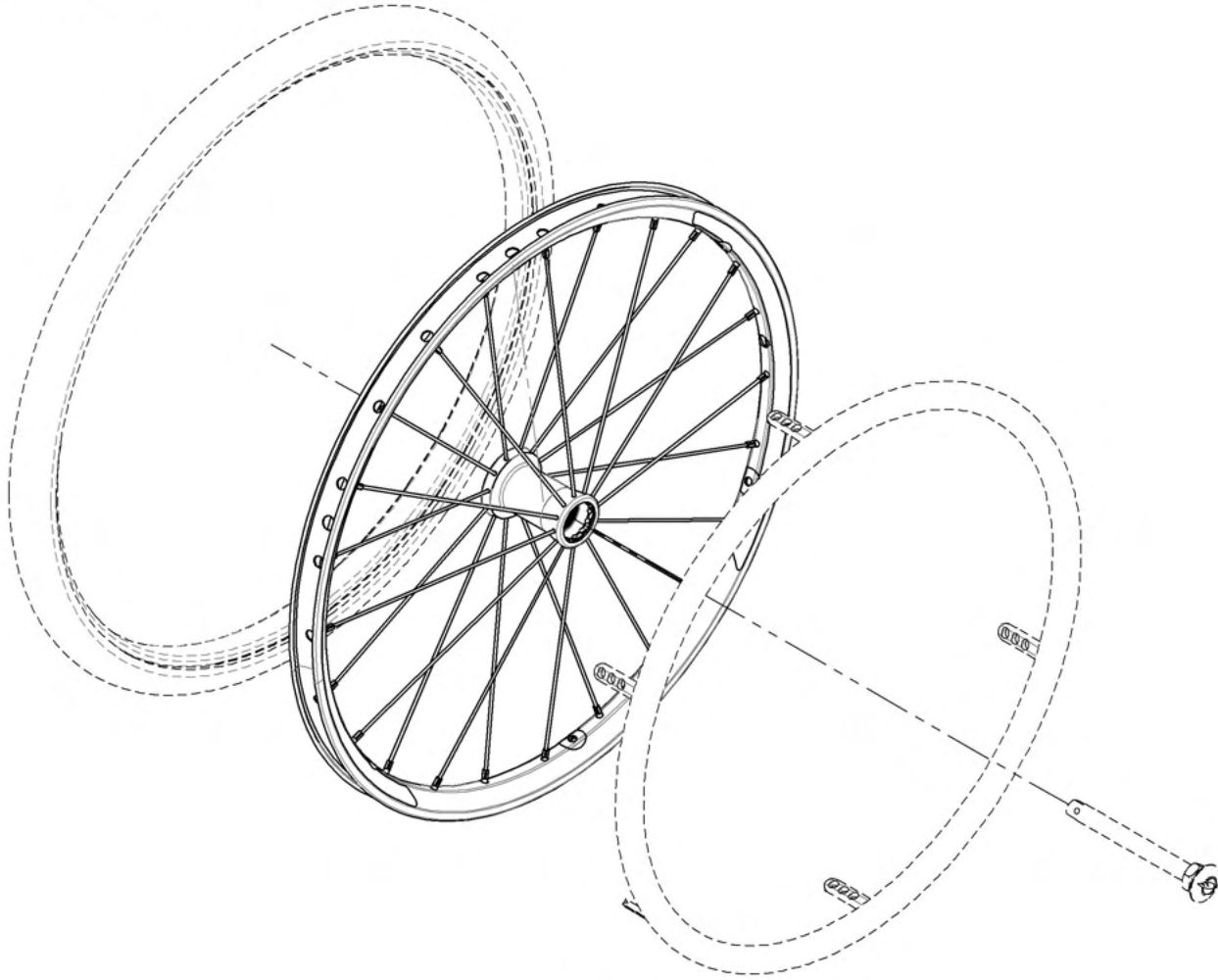


***NOTE: PLEASE CONTACT OUR CUSTOMER SERVICE BEFORE TO ORDER THE REAR WHEL MOUNTING TUBE (#21600)**

COMPONENT MUST BE MACHINED BY MOTION COMPOSITES BASED ON WHEELCHAIR SPECS (PLEASE PROVIDE WHEELCHAIR SERIAL NUMBER)

MAKE SURE TO HAVE YOUR SERIAL NUMBER NEARBY WHEN ORDERING PARTS FOR YOUR MOTION COMPOSITES WHEELCHAIR

Rear Wheels Catalogue
Rear Wheels & Spokes

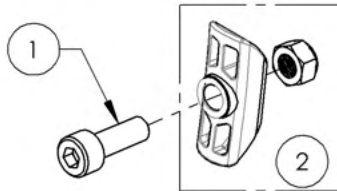


ITEM NO.	PARTNO	DESCRIPTION	QTY.
1	9001483	Rear Wheel - Mag, 20 in	1
2	9001484	Rear Wheel - Mag, 22 in	1
3	9001485	Rear Wheel - Mag, 24 in	1
4	9001446	Rear Wheel - Newton One, 20 in	1
5	9001486	Rear Wheel - Newton One, 22 in	1
6	9001487	Rear Wheel - Newton One, 24 in	1
7	9001488	Rear Wheel - Newton Gravity, 20 in	1
8	9001489	Rear Wheel - Newton Gravity, 22 in	1
9	9001490	Rear Wheel - Newton Gravity, 24 in	1
10	9001491	Rear Wheel - Newton Gravity, 25 in	1
11	9001492	Rear Wheel - Newton Gravity, 26 in	1

**MAG WHEEL CAP
REPLACEMENT**
FOR 9001483, 9001484 & 9001485
Part#: **21108**

BEARING REPLACEMENT
FOR ALL REAR WHEELS
Part#: **22011**

HARDWARE INCLUDED WITH ALL NEWTON ONE WHEELS



ITEM NO.	PARTNO	DESCRIPTION	9001446 /QTY.	9001486 /QTY.	9001487 /QTY.
1	90746	SOCKET CAP SCREW M5X0.8 X 15mm LONG, FULLY THREADED + BLUE TREADLOCKER - BLACK ZINC	6	6	6
2	21500	REAR WHEEL LOCKNUT INSERT - ASSEMBLY	6	6	6

	WHEEL SPOKES				
	NEWTON ONE (24)	NEWTON ONE (36)	NEWTON GRAVITY (24)		
	EXT. & INT. SILVER	EXT. & INT. SILVER	EXT. WHITE (1)	EXT. BLACK (11)	INT. BLACK (12)
20"	21271 (1)		21157	21156 (1)	21155 (1)
22"		21153 (1)	21160	21159 (1)	21158 (1)
24"		21154 (1)	21163	21162 (1)	21161 (1)
25"	-	-	21166	21165 (1)	21164 (1)
26"	-	-	21169	21168 (1)	21167 (1)
NIPPLE	21181 (SILVER NIPPLE)		21180 (BLACK NIPPLE)		

MAKE SURE TO HAVE YOUR SERIAL NUMBER NEARBY WHEN ORDERING PARTS FOR YOUR MOTION COMPOSITES WHEELCHAIR

**Rear Wheels Catalogue
Spinergy Rear Wheels**

BEARING REPLACEMENT

FOR ALL REAR WHEELS

Part#: 22011



SPINERGY SPOX



SPINERGY LX

ITEM NO.	PARTNO	DESCRIPTION	QTY
1	9001494	Rear Wheel - Spinergy Spox, 22 in, Black	1
2	9001495	Rear Wheel - Spinergy Spox, 24 in, Black	1
3	9001496	Rear Wheel - Spinergy Spox, 25 in, Black	1
4	9001497	Rear Wheel - Spinergy Spox, 26 in, Black	1
5	9003413	Rear Wheel - Spinergy Spox, 22 in, Blue	1
6	9003414	Rear Wheel - Spinergy Spox, 24 in, Blue	1
7	9003415	Rear Wheel - Spinergy Spox, 25 in, Blue	1
8	9003416	Rear Wheel - Spinergy Spox, 26 in, Blue	1
9	9003418	Rear Wheel - Spinergy Spox, 22 in, Red	1
10	9003419	Rear Wheel - Spinergy Spox, 24 in, Red	1
11	9003420	Rear Wheel - Spinergy Spox, 25 in, Red	1
12	9003421	Rear Wheel - Spinergy Spox, 26 in, Red	1
13	9003433	Rear Wheel - Spinergy Spox, 22 in, Yellow	1
14	9003434	Rear Wheel - Spinergy Spox, 24 in, Yellow	1
15	9003435	Rear Wheel - Spinergy Spox, 25 in, Yellow	1
16	9003436	Rear Wheel - Spinergy Spox, 26 in, Yellow	1
17	9003443	Rear Wheel - Spinergy Spox, 22 in, White	1
18	9003444	Rear Wheel - Spinergy Spox, 24 in, White	1
19	9003445	Rear Wheel - Spinergy Spox, 25 in, White	1
20	9003446	Rear Wheel - Spinergy Spox, 26 in, White	1

ITEM NO.	PARTNO	DESCRIPTION	QTY.
21	9001498	Rear Wheel - Spinergy LX, 22 in, Black	1
22	9001499	Rear Wheel - Spinergy LX, 24 in, Black	1
23	9001500	Rear Wheel - Spinergy LX, 25 in, Black	1
24	9001501	Rear Wheel - Spinergy LX, 26 in, Black	1
25	9003448	Rear Wheel - Spinergy LX, 22 in, Blue	1
26	9003449	Rear Wheel - Spinergy LX, 24 in, Blue	1
27	9003450	Rear Wheel - Spinergy LX, 25 in, Blue	1
28	9003451	Rear Wheel - Spinergy LX, 26 in, Blue	1
29	9003453	Rear Wheel - Spinergy LX, 22 in, Red	1
30	9003454	Rear Wheel - Spinergy LX, 24 in, Red	1
31	9003455	Rear Wheel - Spinergy LX, 25 in, Red	1
32	9003456	Rear Wheel - Spinergy LX, 26 in, Red	1
33	9003458	Rear Wheel - Spinergy LX, 22 in, Green	1
34	9003459	Rear Wheel - Spinergy LX, 24 in, Green	1
35	9003460	Rear Wheel - Spinergy LX, 25 in, Green	1
36	9003461	Rear Wheel - Spinergy LX, 26 in, Green	1
37	9003463	Rear Wheel - Spinergy LX, 22 in, Orange	1
38	9003464	Rear Wheel - Spinergy LX, 24 in, Orange	1
39	9003465	Rear Wheel - Spinergy LX, 25 in, Orange	1
40	9003466	Rear Wheel - Spinergy LX, 26 in, Orange	1
41	9003468	Rear Wheel - Spinergy LX, 22 in, Yellow	1
42	9003469	Rear Wheel - Spinergy LX, 24 in, Yellow	1
43	9003470	Rear Wheel - Spinergy LX, 25 in, Yellow	1
44	9003471	Rear Wheel - Spinergy LX, 26 in, Yellow	1
45	9003473	Rear Wheel - Spinergy LX, 22 in, Pink	1
46	9003474	Rear Wheel - Spinergy LX, 24 in, Pink	1
47	9003475	Rear Wheel - Spinergy LX, 25 in, Pink	1
48	9003476	Rear Wheel - Spinergy LX, 26 in, Pink	1
49	9003478	Rear Wheel - Spinergy LX, 22 in, White	1
50	9003479	Rear Wheel - Spinergy LX, 24 in, White	1
51	9003480	Rear Wheel - Spinergy LX, 25 in, White	1
52	9003481	Rear Wheel - Spinergy LX, 26 in, White	1
53	9003482	Rear Wheel - Spinergy LX, 22 in, Purple	1
54	9003483	Rear Wheel - Spinergy LX, 24 in, Purple	1
55	9003484	Rear Wheel - Spinergy LX, 25 in, Purple	1
56	9003485	Rear Wheel - Spinergy LX, 26 in, Purple	1



**ONLY COLORS AVAILABLE
FOR SPINERGY SPOX**

**MAKE SURE TO HAVE YOUR SERIAL NUMBER
NEARBY WHEN ORDERING PARTS FOR YOUR
MOTION COMPOSITES WHEELCHAIR**

Rear Wheels Catalogue
Spinergy CLX Blade Rear Wheels



SPINERGY CLX BLADE

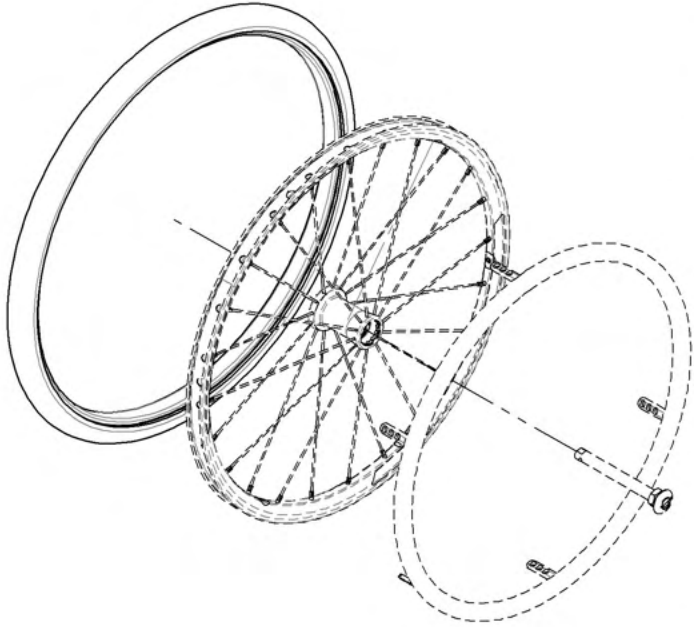
ITEM NO.	PARTNO	DESCRIPTION	QTY
1	9008122	Rear Wheel - Spinergy CLX Blade, 24 in, Black	1
2	9008123	Rear Wheel - Spinergy CLX Blade, 25 in, Black	1
3	9008127	Rear Wheel - Spinergy CLX Blade, 24 in, Blue	1
4	9008128	Rear Wheel - Spinergy CLX Blade, 25 in, Blue	1
5	9008132	Rear Wheel - Spinergy CLX Blade, 24 in, Red	1
6	9008133	Rear Wheel - Spinergy CLX Blade, 25 in, Red	1
7	9008137	Rear Wheel - Spinergy CLX Blade, 24 in, Green	1
8	9008138	Rear Wheel - Spinergy CLX Blade, 25 in, Green	1
9	9008142	Rear Wheel - Spinergy CLX Blade, 24 in, Orange	1
10	9008143	Rear Wheel - Spinergy CLX Blade, 25 in, Orange	1
11	9008147	Rear Wheel - Spinergy CLX Blade, 24 in, Yellow	1
12	9008148	Rear Wheel - Spinergy CLX Blade, 25 in, Yellow	1
13	9008152	Rear Wheel - Spinergy CLX Blade, 24 in, Pink	1
14	9008153	Rear Wheel - Spinergy CLX Blade, 25 in, Pink	1
15	9008157	Rear Wheel - Spinergy CLX Blade, 24 in, White	1
16	9008158	Rear Wheel - Spinergy CLX Blade, 25 in, White	1
17	9008162	Rear Wheel - Spinergy CLX Blade, 24 in, Purple	1
18	9008163	Rear Wheel - Spinergy CLX Blade, 25 in, Purple	1



BEARING REPLACEMENT
FOR ALL REAR WHEELS
 Part#: **22011**

MAKE SURE TO HAVE YOUR SERIAL NUMBER NEARBY WHEN ORDERING PARTS FOR YOUR MOTION COMPOSITES WHEELCHAIR

Rear Wheels Catalogue Tires



**TUBE AND RIM TAPE ARE ALREADY
INCLUDED WITH ALL PNEUMATIC TIRES**

ITEM NO.	PARTNO	DESCRIPTION	QTY.
1	9001507	Tire - Soft Urethane, 1 1/4 x 20 in	1
2	9001508	Tire - Soft Urethane, 1 1/4 x 22 in	1
3	9001509	Tire - Soft Urethane, 1 1/4 x 24 in	1
4	9001510	Tire & Components - Pneumatic, Standard Pressure, 1 3/8 x 20 in	1
	21315	PNEUMATIC TIRE 20x1-3/8in	1
	21255	20" x1 3/8" TUBE	1
	21064	RIM TAPE 20in	1
5	9001511	Tire & Components - Pneumatic, Standard Pressure, 1 3/8 x 22 in	1
	21316	PNEUMATIC TIRE 22x1-3/8in	1
	21256	22" x1 3/8" TUBE	1
	21065	RIM TAPE 22in	1
6	9001512	Tire & Components - Pneumatic, Standard Pressure, 1 3/8 x 24 in	1
	21317	PNEUMATIC TIRE 24x1-3/8in	1
	21257	24" x1 3/8" TUBE	1
	21066	RIM TAPE 24in	1
7	9001513	Tire & Components - Pneumatic, Standard Pressure, 1 3/8 x 25 in	1
	21318	PNEUMATIC TIRE 25x1-3/8in	1
	21253	25"x1" TUBE	1
	21067	RIM TAPE 25in	1
8	9001514	Tire & Components - Pneumatic, Standard Pressure, 1 3/8 x 26 in	1
	21319	PNEUMATIC TIRE 26x1-3/8in	1
	21259	26" x1 3/8" TUBE	1
	21068	RIM TAPE 26in	1
9	9001515	Tire - Pyramid, 1 x 22 in	1
10	9001516	Tire - Pyramid, 1 x 24 in	1
11	9001517	Tire & Components - Schwalbe Rightrun HP, 1 x 20 in	1
	21305	IRONCAP/RIGHTRUN 1" HP TIRE 20"	1
	21250	20"x1" TUBE	1
	21064	RIM TAPE 20in	1
12	9001518	Tire & Components - Schwalbe Rightrun HP, 1 x 22 in	1
	21306	IRONCAP/RIGHTRUN 1" HP TIRE 22"	1
	21251	22"x1" TUBE	1
	21065	RIM TAPE 22in	1
13	9001519	Tire & Components - Schwalbe Rightrun HP, 1 x 24 in	1
	21307	IRONCAP/RIGHTRUN 1" HP TIRE 24"	1
	21252	24"x1" TUBE	1
	21066	RIM TAPE 24in	1
14	9001520	Tire & Components - Schwalbe Rightrun HP, 1 x 25 in	1
	21308	IRONCAP/RIGHTRUN 1" HP TIRE 25"	1
	21253	25"x1" TUBE	1
	21067	RIM TAPE 25in	1
15	9001521	Tire & Components - Schwalbe Rightrun HP, 1 x 26 in	1
	21309	IRONCAP/RIGHTRUN 1" HP TIRE 26"	1
	21254	26"x1" TUBE	1
	21068	RIM TAPE 26in	1

ITEM NO.	PARTNO	DESCRIPTION	QTY.
16	9001522	Tire & Components - Kenda Kourier HP, 1 3/8 x 24 in	1
	21322	24"x1 3/8" KOURIER TIRE	1
	21257	24" x1 3/8" TUBE	1
	21066	RIM TAPE 24in	1
17	9001523	Tire & Components - Kenda Kourier HP, 1 3/8 x 26 in	1
	21324	26"x1 3/8" KOURIER TIRE	1
	21259	26" x1 3/8" TUBE	1
	21068	RIM TAPE 26in	1
18	9001524	Tire - Soft Urethane SHOX HP, 1 x 22 in	1
19	9001525	Tire - Soft Urethane SHOX HP, 1 x 24 in	1
20	9001526	Tire - Soft Urethane SHOX HP, 1 x 25 in	1
21	9001527	Tire - Soft Urethane SHOX HP, 1 x 26 in	1
22	9001528	Tire & Components - Schwalbe Marathon Plus, 1 x 24 in	1
	21252	24"x1" TUBE	1
	21066	RIM TAPE 24in	1
	21312	24x1 in HP TIRE MARATHON PLUS	1
23	9001529	Tire & Components - Schwalbe Marathon Plus, 1 x 25 in	1
	21253	25"x1" TUBE	1
	21067	RIM TAPE 25in	1
	21313	25x1 in HP TIRE MARATHON PLUS	1
24	9001530	Tire & Components - Schwalbe Marathon Plus, 1 x 26 in	1
	21254	26"x1" TUBE	1
	21068	RIM TAPE 26in	1
	21314	26x1 in HP TIRE MARATHON PLUS	1
25	9002521	Tire - Soft Urethane, Knobby, 1 3/8 x 22 in	1
26	9002235	Tire - Soft Urethane, Knobby, 1 3/8 x 24 in	1
27	9002264	Tire - Soft Urethane, Knobby, 1 3/8 x 25 in	1
28	9002265	Tire - Soft Urethane, Knobby, 1 3/8 x 26 in	1
29	9003044	Tire & Components - Pneumatic, Knobby, 2 x 22 in	1
	21379	22inx2in KNOBBY STYLE PNEUMATIC TIRE	1
	21265	22inx2in TUBE	1
	21065	RIM TAPE 22in	1
30	9003045	Tire & Components - Pneumatic, Knobby, 2 x 24 in	1
	21380	24inx2in KNOBBY STYLE PNEUMATIC TIRE	1
	21266	24inx2in TUBE	1
	21066	RIM TAPE 24in	1
31	9003046	Tire & Components - Pneumatic, Knobby, 2 x 25 in	1
	21381	25inx2in KNOBBY STYLE PNEUMATIC TIRE	1
	21267	25inx2in TUBE	1
	21067	RIM TAPE 25in	1

MAKE SURE TO HAVE YOUR SERIAL NUMBER
NEARBY WHEN ORDERING PARTS FOR YOUR
MOTION COMPOSITES WHEELCHAIR

**Rear Wheels Catalogue
Handrims**

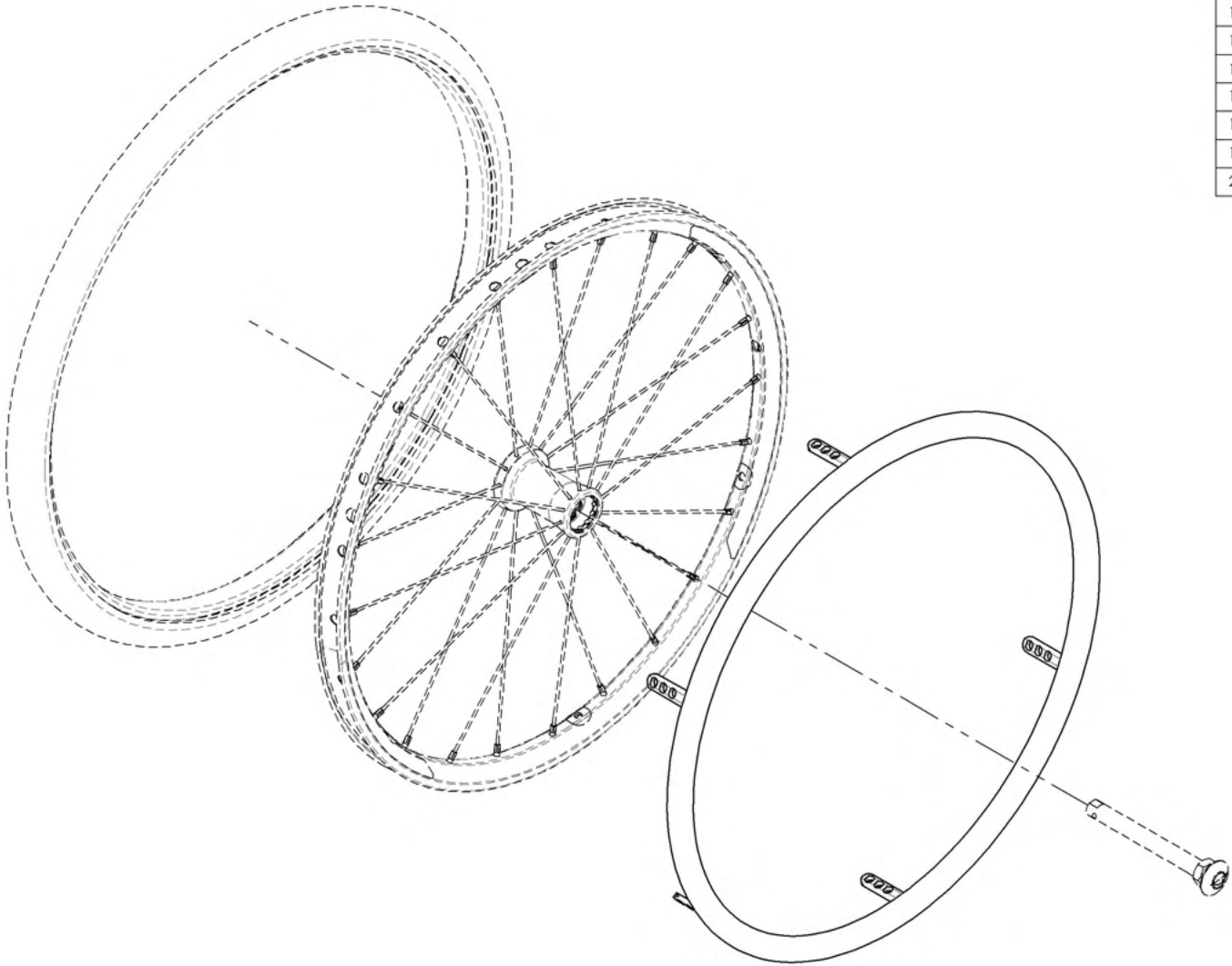
CUTTING FEES
Available only for 9001537, 9001539, 9001540 & 9001541

9003632
Handrim Tabs cutting, Narrow Position

9003633
Handrim Tabs cutting, Super Narrow Position

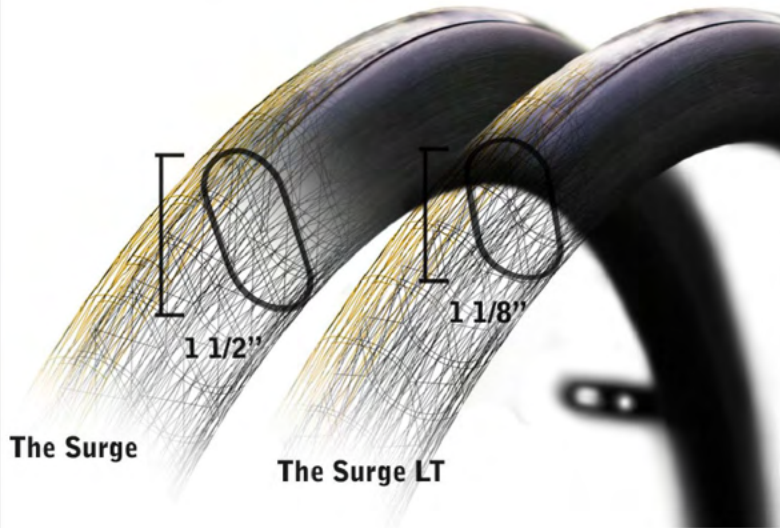
HANDRIM TAB STICKERS
9003634
Contact Joint Stickers for Handrim Tabs

ITEM NO.	PARTNO	DESCRIPTION	QTY.
1	9001531	Handrim For Mag - Anodized Aluminum, 20 in	1
2	9001532	Handrim For Mag - Anodized Aluminum, 22 in	1
3	9001533	Handrim For Mag - Anodized Aluminum, 24 in	1
4	9001534	Handrim For Mag - Plastic Coated, 20 in	1
5	9001535	Handrim For Mag - Plastic Coated, 22 in	1
6	9001536	Handrim For Mag - Plastic Coated, 24 in	1
7	9001537	Handrim - Anodized Aluminum, 20 in	1
8	9001538	Handrim - Anodized Aluminum, 22 in	1
9	9001539	Handrim - Anodized Aluminum, 24 in	1
10	9001540	Handrim - Anodized Aluminum, 25 in	1
11	9001541	Handrim - Anodized Aluminum, 26 in	1
12	9001542	Handrim - Plastic Coated, 20 in	1
13	9001543	Handrim - Plastic Coated, 22 in	1
14	9001544	Handrim - Plastic Coated, 24 in	1
15	9001545	Handrim - Plastic Coated, 25 in	1
16	9001546	Handrim - Plastic Coated, 26 in	1
17	9001548	Handrim - Q-Grip High Friction Coated Foam, 22 in	1
18	9001549	Handrim - Q-Grip High Friction Coated Foam, 24 in	1
19	9001550	Handrim - Q-Grip High Friction Coated Foam, 25 in	1
20	9001551	Handrim - Q-Grip High Friction Coated Foam, 26 in	1



MAKE SURE TO HAVE YOUR SERIAL NUMBER
NEARBY WHEN ORDERING PARTS FOR YOUR
MOTION COMPOSITES WHEELCHAIR

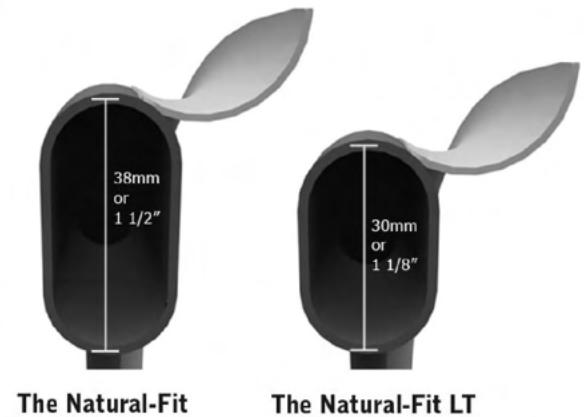
**Rear Wheels Catalogue
Surge & Natural Fit Handrims**



ITEM NO.	PARTNO	DESCRIPTION	QTY
1	9002209	Handrim - Surge, 22 in	1
2	9002210	Handrim - Surge, 24 in	1
3	9002211	Handrim - Surge, 25 in	1
4	9002212	Handrim - Surge, 26 in	1
5	9001555	Handrim - Surge LT, 22 in	1
6	9001556	Handrim - Surge LT, 24 in	1
7	9001576	Handrim - Surge LT, 25 in	1
8	9001578	Handrim - Surge LT, 26 in	1
9	9003274	Handrim - Natural Fit, 22 in	1
10	9003275	Handrim - Natural Fit, 24 in	1
11	9003276	Handrim - Natural Fit, 25 in	1
12	9003277	Handrim - Natural Fit, 26 in	1
13	9001552	Handrim - Natural Fit, Standard Grip, 22 in	1
	21221	NATURAL FIT HANDRIM 22in	1
	21226	NATURAL FIT THUMB PIECE 22in	1
14	9001553	Handrim - Natural Fit, Standard Grip, 24 in	1
	21222	NATURAL FIT HANDRIM 24in	1
	21227	NATURAL FIT THUMB PIECE 24in	1
15	9002849	Handrim - Natural Fit, Standard Grip, 25 in	1
	21223	NATURAL FIT HANDRIM 25in	1
	21228	NATURAL FIT THUMB PIECE 25in	1
16	9001554	Handrim - Natural Fit, Standard Grip, 26 in	1
	21224	NATURAL FIT HANDRIM 26in	1
	21229	NATURAL FIT THUMB PIECE 26in	1



ITEM NO.	PARTNO	DESCRIPTION	QTY
17	9003278	Handrim - Natural Fit, Super Grip, 22 in	1
	21221	NATURAL FIT HANDRIM 22in	1
	21243	NATURAL FIT SUPER GRIP THUMB PIECE 22in	1
18	9003279	Handrim - Natural Fit, Super Grip, 24 in	1
	21222	NATURAL FIT HANDRIM 24in	1
	21244	NATURAL FIT SUPER GRIP THUMB PIECE 24in	1
19	9003280	Handrim - Natural Fit, Super Grip, 25 in	1
	21223	NATURAL FIT HANDRIM 25in	1
	21245	NATURAL FIT SUPER GRIP THUMB PIECE 25in	1
20	9003281	Handrim - Natural Fit, Super Grip, 26 in	1
	21224	NATURAL FIT HANDRIM 26in	1
	21246	NATURAL FIT SUPER GRIP THUMB PIECE 26in	1
21	9002206	Handrim - Natural Fit LT, 22 in	1
22	9002207	Handrim - Natural Fit LT, 24 in	1
23	9002147	Handrim - Natural Fit LT, 25 in	1
24	9002208	Handrim - Natural Fit LT, 26 in	1
25	9003282	Handrim - Natural Fit LT, Standard Grip, 22 in	1
	21272	NATURAL FIT LT HANDRIM 22in	1
	21226	NATURAL FIT THUMB PIECE 22in	1
26	9003283	Handrim - Natural Fit LT, Standard Grip, 24 in	1
	21273	NATURAL FIT LT HANDRIM 24in	1
	21227	NATURAL FIT THUMB PIECE 24in	1
27	9003284	Handrim - Natural Fit LT, Standard Grip, 25 in	1
	21274	NATURAL FIT LT HANDRIM 25in	1
	21228	NATURAL FIT THUMB PIECE 25in	1
28	9003285	Handrim - Natural Fit LT, Standard Grip, 26 in	1
	21275	NATURAL FIT LT HANDRIM 26in	1
	21229	NATURAL FIT THUMB PIECE 26in	1



MAKE SURE TO HAVE YOUR SERIAL NUMBER NEARBY WHEN ORDERING PARTS FOR YOUR MOTION COMPOSITES WHEELCHAIR

**Rear Wheels Catalogue
Newton Air Grip Handrims**



ITEM NO.	PARTNO	DESCRIPTION	QTY.
1	9002962	Handrim - Newton Air Grip, 20 in - Black	1
2	9002963	Handrim - Newton Air Grip, 22 in - Black	1
3	9002964	Handrim - Newton Air Grip, 24 in - Black	1
4	9002965	Handrim - Newton Air Grip, 25 in - Black	1
5	9002966	Handrim - Newton Air Grip, 26 in - Black	1
6	9002967	Handrim - Newton Air Grip, 20 in - Sunkissed Orange	1
7	9002968	Handrim - Newton Air Grip, 22 in - Sunkissed Orange	1
8	9002969	Handrim - Newton Air Grip, 24 in - Sunkissed Orange	1
9	9002970	Handrim - Newton Air Grip, 25 in - Sunkissed Orange	1
10	9002971	Handrim - Newton Air Grip, 26 in - Sunkissed Orange	1
11	9002972	Handrim - Newton Air Grip, 20 in - Steel Blue	1
12	9002973	Handrim - Newton Air Grip, 22 in - Steel Blue	1
13	9002974	Handrim - Newton Air Grip, 24 in - Steel Blue	1
14	9002975	Handrim - Newton Air Grip, 25 in - Steel Blue	1
15	9002976	Handrim - Newton Air Grip, 26 in - Steel Blue	1
16	9002977	Handrim - Newton Air Grip, 20 in - Sky Blue	1
17	9002978	Handrim - Newton Air Grip, 22 in - Sky Blue	1
18	9002979	Handrim - Newton Air Grip, 24 in - Sky Blue	1
19	9002980	Handrim - Newton Air Grip, 25 in - Sky Blue	1
20	9002981	Handrim - Newton Air Grip, 26 in - Sky Blue	1
21	9002982	Handrim - Newton Air Grip, 20 in - Charcoal	1
22	9002983	Handrim - Newton Air Grip, 22 in - Charcoal	1
23	9002984	Handrim - Newton Air Grip, 24 in - Charcoal	1
24	9002985	Handrim - Newton Air Grip, 25 in - Charcoal	1
25	9002986	Handrim - Newton Air Grip, 26 in - Charcoal	1
26	9002987	Handrim - Newton Air Grip, 20 in - Ferrari Red	1
27	9002988	Handrim - Newton Air Grip, 22 in - Ferrari Red	1
28	9002989	Handrim - Newton Air Grip, 24 in - Ferrari Red	1
29	9002990	Handrim - Newton Air Grip, 25 in - Ferrari Red	1
30	9002991	Handrim - Newton Air Grip, 26 in - Ferrari Red	1

ITEM NO.	PARTNO	DESCRIPTION	QTY.
31	9002992	Handrim - Newton Air Grip, 20 in - Sapphire Blue	1
32	9002993	Handrim - Newton Air Grip, 22 in - Sapphire Blue	1
33	9002994	Handrim - Newton Air Grip, 24 in - Sapphire Blue	1
34	9002995	Handrim - Newton Air Grip, 25 in - Sapphire Blue	1
35	9002996	Handrim - Newton Air Grip, 26 in - Sapphire Blue	1
36	9002997	Handrim - Newton Air Grip, 20 in - White	1
37	9002998	Handrim - Newton Air Grip, 22 in - White	1
38	9002999	Handrim - Newton Air Grip, 24 in - White	1
39	9003000	Handrim - Newton Air Grip, 25 in - White	1
40	9003001	Handrim - Newton Air Grip, 26 in - White	1
41	9003002	Handrim - Newton Air Grip, 20 in - Burgundy	1
42	9003003	Handrim - Newton Air Grip, 22 in - Burgundy	1
43	9003004	Handrim - Newton Air Grip, 24 in - Burgundy	1
44	9003005	Handrim - Newton Air Grip, 25 in - Burgundy	1
45	9003006	Handrim - Newton Air Grip, 26 in - Burgundy	1
46	9003007	Handrim - Newton Air Grip, 20 in - Monster Green	1
47	9003008	Handrim - Newton Air Grip, 22 in - Monster Green	1
48	9003009	Handrim - Newton Air Grip, 24 in - Monster Green	1
49	9003010	Handrim - Newton Air Grip, 25 in - Monster Green	1
50	9003011	Handrim - Newton Air Grip, 26 in - Monster Green	1
51	9003012	Handrim - Newton Air Grip, 20 in - Fuchsia	1
52	9003013	Handrim - Newton Air Grip, 22 in - Fuchsia	1
53	9003014	Handrim - Newton Air Grip, 24 in - Fuchsia	1
54	9003015	Handrim - Newton Air Grip, 25 in - Fuchsia	1
55	9003016	Handrim - Newton Air Grip, 26 in - Fuchsia	1
56	9003017	Handrim - Newton Air Grip, 20 in - Acid Green	1
57	9003018	Handrim - Newton Air Grip, 22 in - Acid Green	1
58	9003019	Handrim - Newton Air Grip, 24 in - Acid Green	1
59	9003020	Handrim - Newton Air Grip, 25 in - Acid Green	1
60	9003021	Handrim - Newton Air Grip, 26 in - Acid Green	1



BLACK
NOIR



SUNKISSED ORANGE
ORANGE TANGERINE



STEEL BLUE
BLEU ACIER



SKY BLUE
BLEU CIEL



CHARCOAL
ANTHRACITE



FERRARI RED
ROUGE FERRARI



SAPPHIRE BLUE
BLEU SAPHIRE



WHITE
BLANC



BURGUNDY
BOURGOGNE



MONSTER GREEN
VERT MONSTRE



FUCHSIA



ACID GREEN
VERT ACIDE

CUTTING FEES

Only Available for 20, 24, 25 & 26 in Handrim

9003632

Handrim Tabs cutting, Narrow Position

9003633

Handrim Tabs cutting, Super Narrow Position

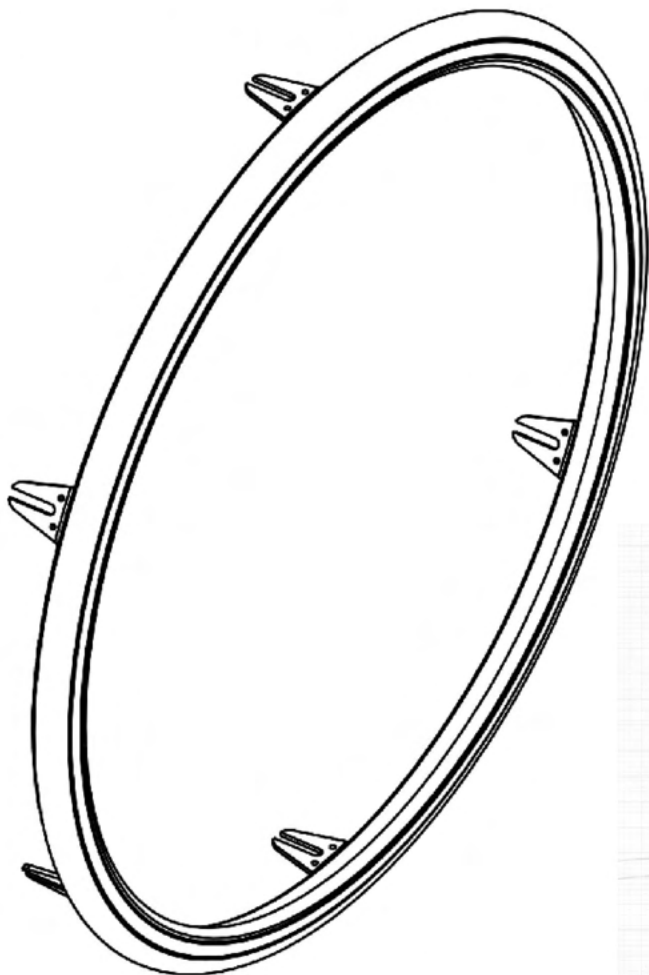
HANDRIM TAB STICKERS

9003634

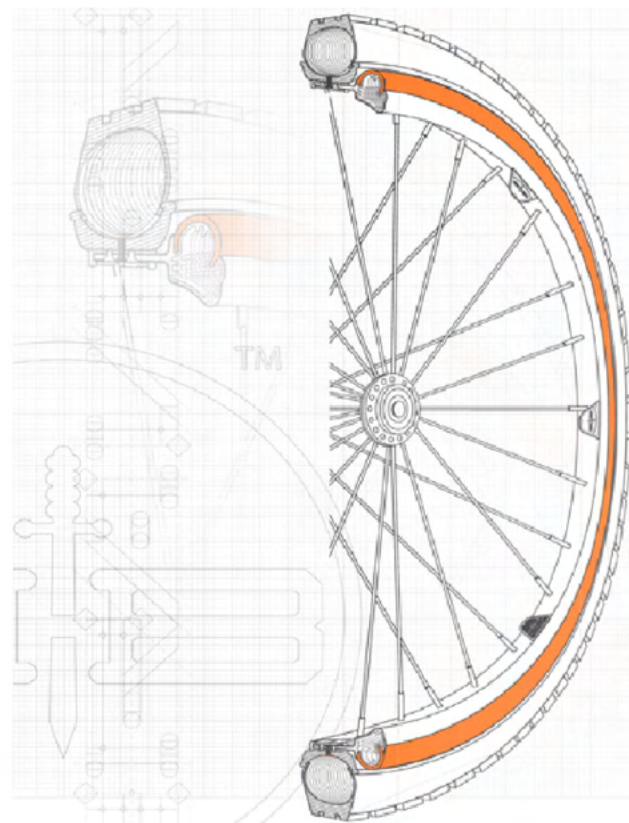
Contact Joint Stickers for Handrim Tabs

MAKE SURE TO HAVE YOUR SERIAL NUMBER
NEARBY WHEN ORDERING PARTS FOR YOUR
MOTION COMPOSITES WHEELCHAIR

Rear Wheels Catalogue
BBraver Handrims



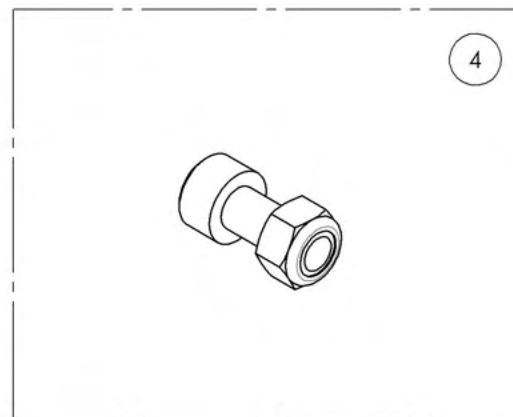
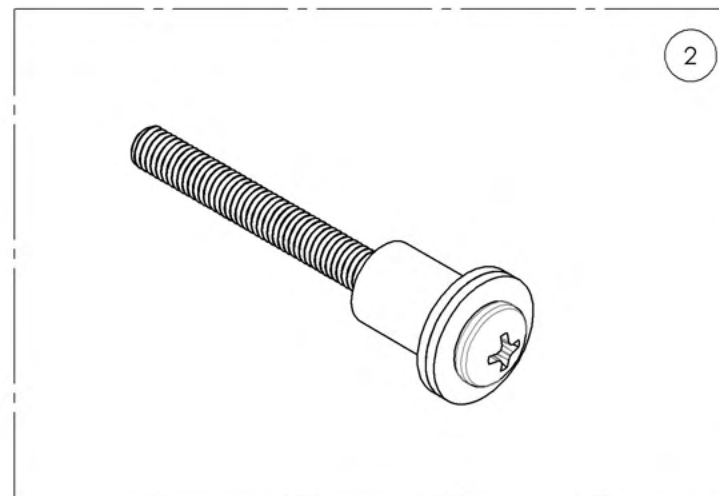
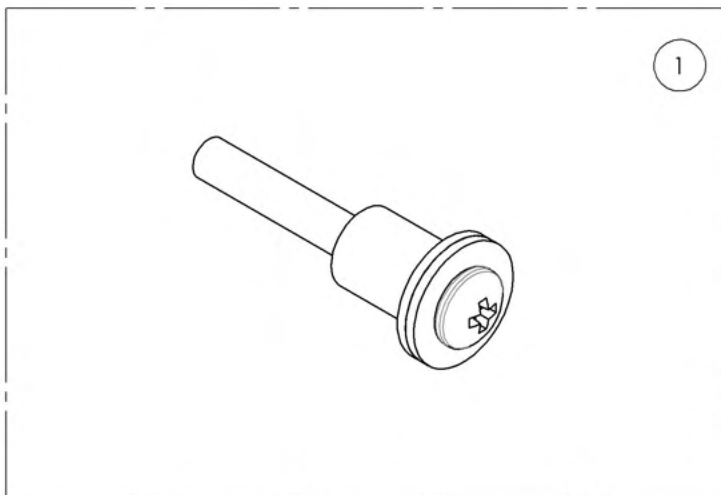
ITEM NO.	PARTNO	DESCRIPTION	QTY.
1	9002532	BBraver - Rough Rider Handrim, 24 in, White, Short (Pair) (RW-S-WW-24)	1
2	9002533	BBraver - Rough Rider Handrim, 24 in, White, Long (Pair) (RW-L-WW-24)	1
3	9002534	BBraver - Rough Rider Handrim, 25 in, White, Short (Pair) (RW-S-WW-25)	1
4	9002535	BBraver - Rough Rider Handrim, 25 in, White, Long (Pair) (RW-L-WW-25)	1
5	9002536	BBraver - Rough Rider Handrim, 24 in, Orange, Short (Pair) (RO-S-OB-24)	1
6	9002537	BBraver - Rough Rider Handrim, 24 in, Orange, Long (Pair) (RO-L-OB-24)	1
7	9002538	BBraver - Rough Rider Handrim, 25 in, Orange, Short (Pair) (RO-S-OB-25)	1
8	9002539	BBraver - Rough Rider Handrim, 25 in, Orange, Long (Pair) (RO-L-OB-25)	1
9	9002540	BBraver - Rough Rider Handrim, 24 in, Black, Short (Pair) (RB-S-BB-24)	1
10	9002541	BBraver - Rough Rider Handrim, 24 in, Black, Long (Pair) (RB-L-BB-24)	1
11	9002542	BBraver - Rough Rider Handrim, 25 in, Black, Short (Pair) (RB-S-BB-25)	1
12	9002543	BBraver - Rough Rider Handrim, 25 in, Black, Long (Pair) (RB-L-BB-25)	1
13	9002544	BBraver - Rough Rider Handrim, 26 in, Black, Short (Pair) (RB-S-BB-26)	1
14	9002545	BBraver - Rough Rider Handrim, 26 in, Black, Long (Pair) (RB-L-BB-26)	1



MAKE SURE TO HAVE YOUR SERIAL NUMBER
 NEARBY WHEN ORDERING PARTS FOR YOUR
 MOTION COMPOSITES WHEELCHAIR

**Rear Wheels Catalogue
Handrim Hardwares**

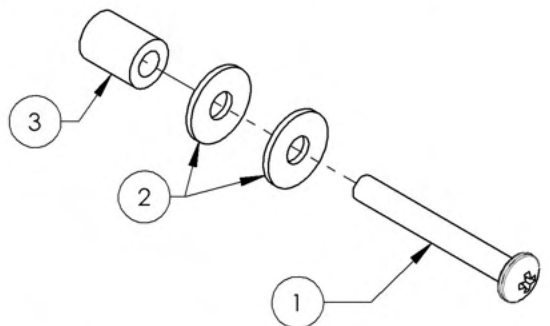
ITEM NO.	PARTNO	DESCRIPTION	QTY.
1	9001006	Handrim - Installation Hardware for Mag 20 in	1
2	9001558	Handrim - Installation Hardware for Mag 22 & 24 in	1
3	9001559	Handrim - Installation Hardware For Newton One	1
4	9001560	Handrim - Installation Hardware For Newton Gravity, Spinergy LX, Spinergy SPOX	1



MAKE SURE TO HAVE YOUR SERIAL NUMBER
NEARBY WHEN ORDERING PARTS FOR YOUR
MOTION COMPOSITES WHEELCHAIR

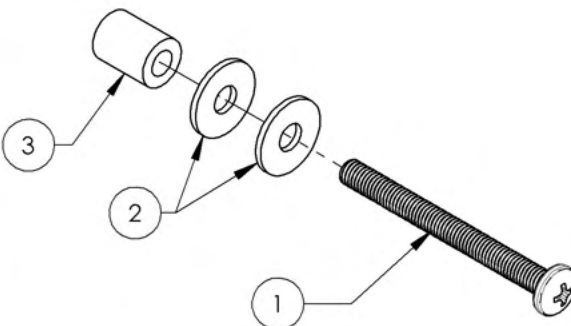
9001006 & 9001558_9001560
Handrim - Installation Hardware

9001006
 Handrim - Installation Hardware for Mag 20 in



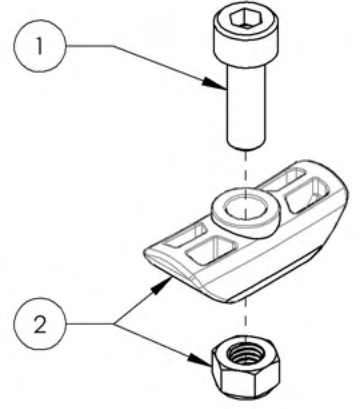
ITEM NO.	PARTNO	DESCRIPTION	QTY.
1	99013	SCREW PHILLIPS PAN HD #10_32 X 1_1_2 + BLUE THREADLOCKER	6
2	99564	FLAT WASHER M5 POUR HANDRIM MAG	12
3	99601	SPACER HANDRIM MAG (last: 200 + 200 comm)	6

9001558
 Handrim - Installation Hardware for Mag 22 & 24 in



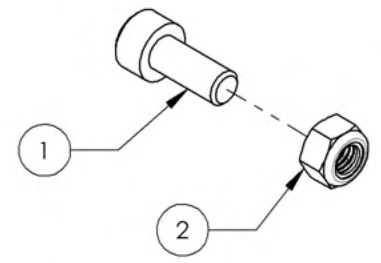
ITEM NO.	PARTNO	DESCRIPTION	QTY.
1	99015	SCREW PHILLIPS #10-32 X 2" HANDRIM MAG + BLUE THREADLOCKER	4
2	99564	FLAT WASHER M5 POUR HANDRIM MAG	8
3	99601	SPACER HANDRIM MAG (last: 200 + 200 comm)	4

9001559
 Handrim - Installation Hardware For Newton One



ITEM NO.	PARTNO	DESCRIPTION	QTY.
1	90746	SOCKET CAP SCREW M5X0.8 X 15mm LONG, FULLY THREADED + BLUE TREADLOCKER - BLACK ZINC	6
2	21500	REAR WHEEL LOCKNUT INSERT - ASSEMBLY	6

9001560
 Handrim - Installation Hardware For Newton Gravity, Spinergy LX, Spinergy SPOX

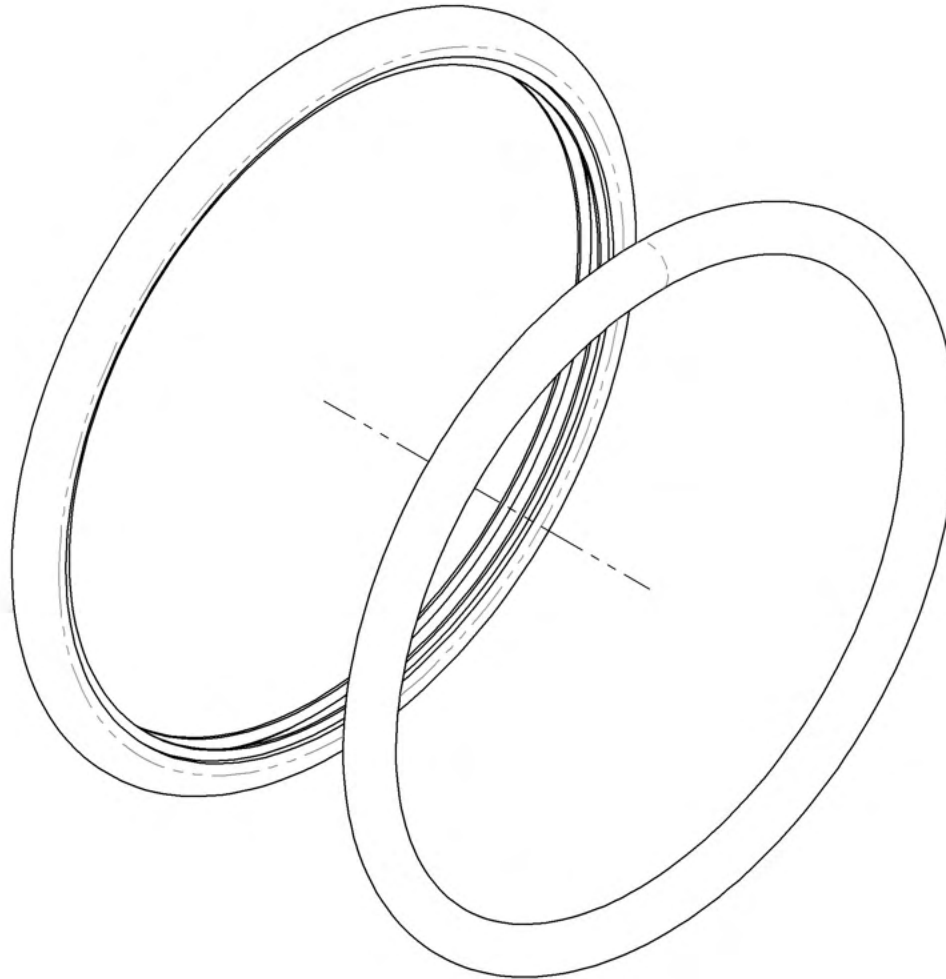


ITEM NO.	PARTNO	DESCRIPTION	QTY.
1	90744	SOCKET CAP SCREW M5X0.8 X 12mm LONG, FULLY THREADED + BLUE TREADLOCKER - BLACK ZINC	6
2	90989	M5 LOW NYLON LOCK	6

MAKE SURE TO HAVE YOUR SERIAL NUMBER NEARBY WHEN ORDERING PARTS FOR YOUR MOTION COMPOSITES WHEELCHAIR

Rear Wheels Catalogue
Flat Free Inserts for Pneumatics 1 3/8 in

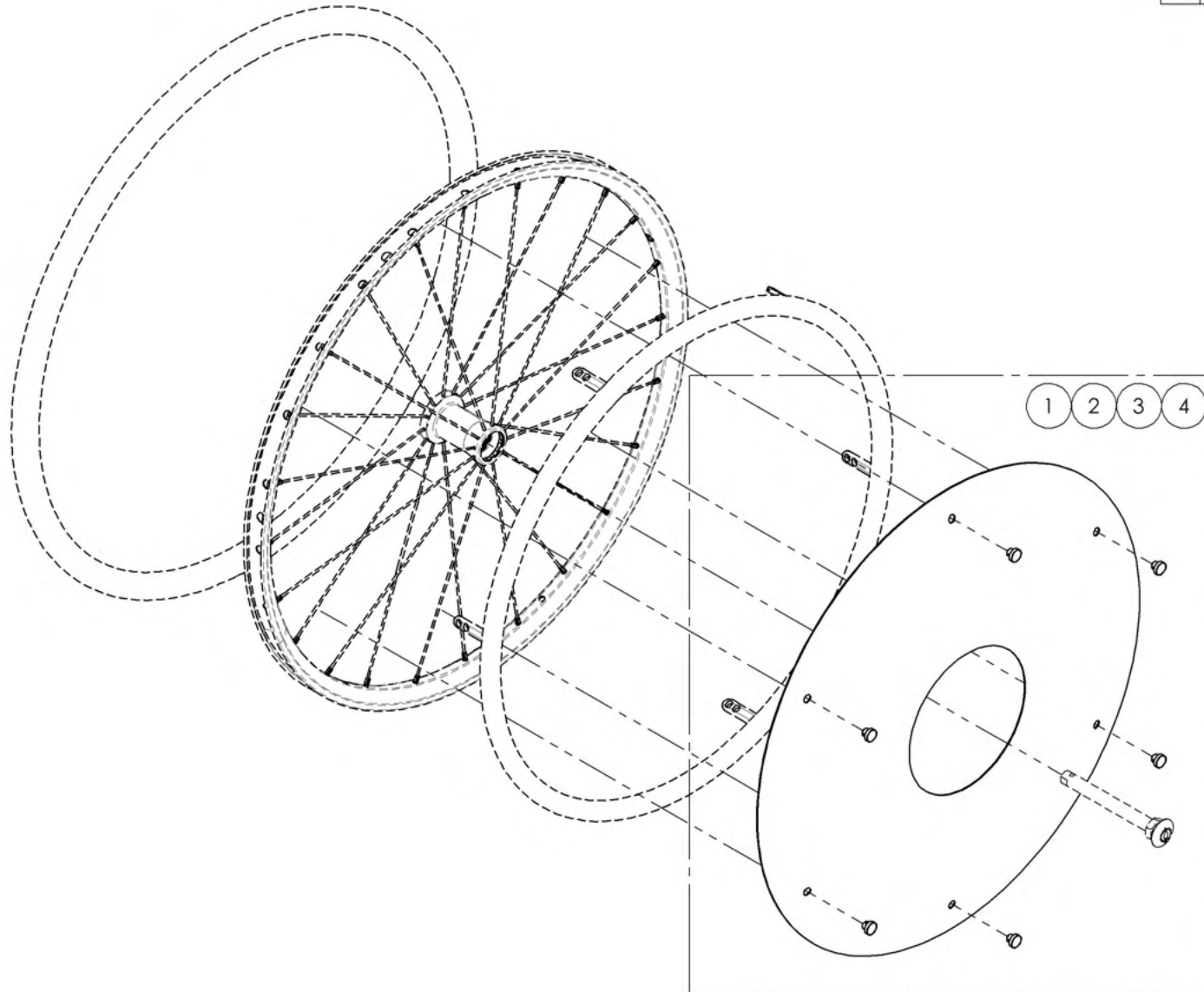
ITEM NO.	PARTNO	DESCRIPTION	QTY
1	9002409	Rear Wheel - Flat Free Insert, Pneumatic Tires 1 3/8 in, 22 in	1
	21371	FLAT FREE INSERT 22 x 1-3_8 in	1
	21316	PNEUMATIC TIRE 22x1-3/8in	1
2	9002410	Rear Wheel - Flat Free Insert, Pneumatic Tires 1 3/8 in, 24 in	1
	21372	FLAT FREE INSERT 24 x 1-3_8 in	1
	21317	PNEUMATIC TIRE 24x1-3/8in	1



MAKE SURE TO HAVE YOUR SERIAL NUMBER
NEARBY WHEN ORDERING PARTS FOR YOUR
MOTION COMPOSITES WHEELCHAIR

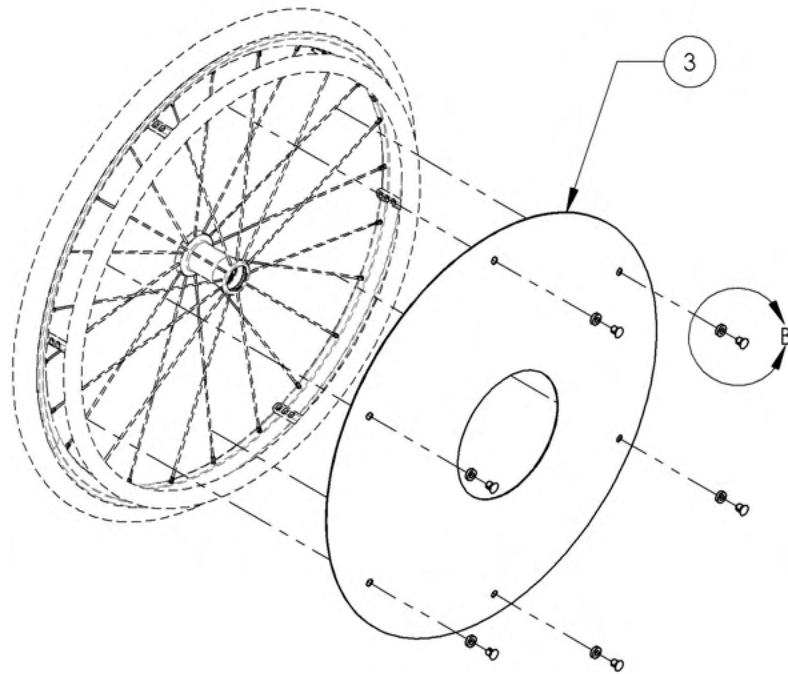
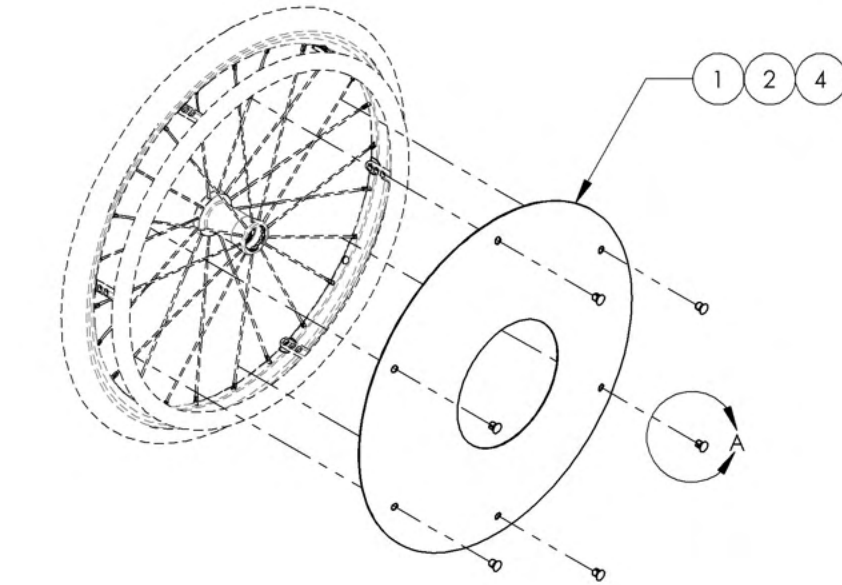
**Rear Wheels Catalogue
Spoke Guards**

ITEM NO.	PARTNO	DESCRIPTION	QTY.
1	9001629	Spoke Guard - 20 in	1
2	9001630	Spoke Guard - 22 in	1
3	9001631	Spoke Guard - 24 in	1
4	9001632	Spoke Guard - 26 in	1

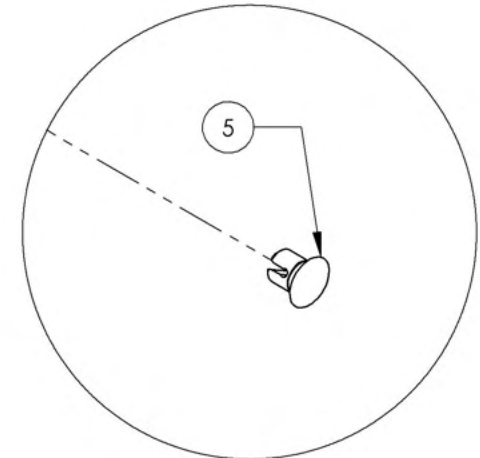


MAKE SURE TO HAVE YOUR SERIAL NUMBER
NEARBY WHEN ORDERING PARTS FOR YOUR
MOTION COMPOSITES WHEELCHAIR

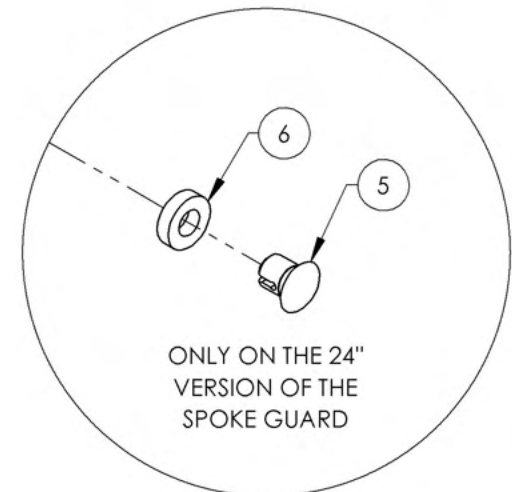
**9001629_9001632
Spoke Guards**



ITEM NO.	PARTNO	DESCRIPTION	9001629 /QTY.	9001630 /QTY.	9001631 /QTY.	9001632 /QTY.
1	51019	SPOKE GUARD 20in	1	-	-	-
2	51020	SPOKE GUARD 22in	-	1	-	-
3	51021	SPOKE GUARD 24in	-	-	1	-
4	51025	SPOKE GUARD 26in	-	-	-	1
5	51034	SPOKE SHIELD CLIP	6	6	6	6
6	51033	SPOKE SHIELD CLIP WASHER	-	-	6	-



DETAIL A
SCALE 5 : 8

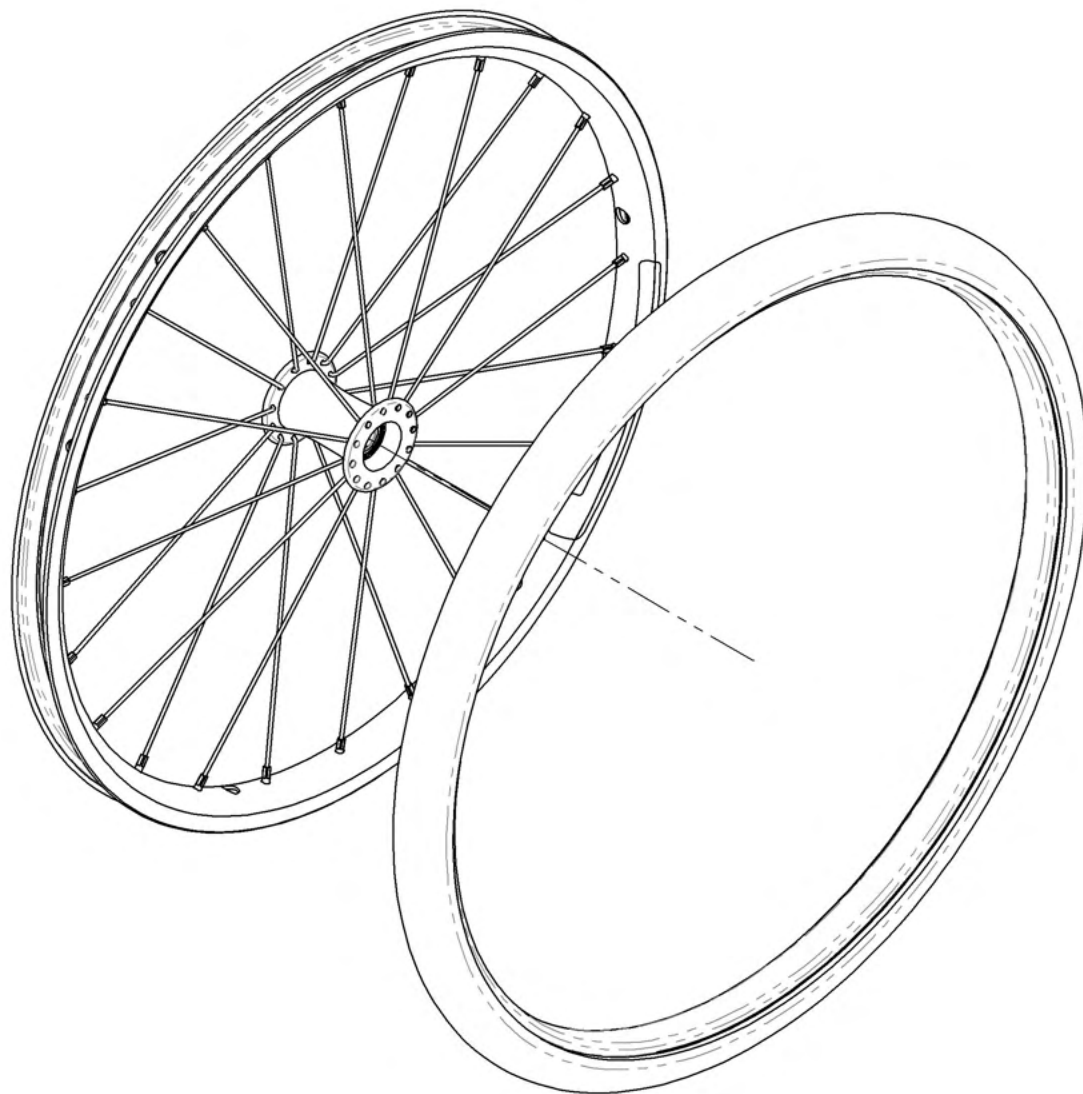


ONLY ON THE 24"
VERSION OF THE
SPOKE GUARD

DETAIL B
SCALE 5 : 8

MAKE SURE TO HAVE YOUR SERIAL NUMBER
NEARBY WHEN ORDERING PARTS FOR YOUR
MOTION COMPOSITES WHEELCHAIR

Rear Wheels Catalogue
Rear Wheels + Tires



ITEM NO.	PARTNO	DESCRIPTION	QTY
1	9002499	Rear Wheel - Newton One + Soft Urethane Tire 20 in	1
2	9002500	Rear Wheel - Newton One + Soft Urethane Tire 22 in	1
3	9002501	Rear Wheel - Newton One + Soft Urethane Tire 24 in	1
4	9002502	Rear Wheel - Newton Gravity + Soft Urethane Tire 20 in	1
5	9002503	Rear Wheel - Newton Gravity + Soft Urethane Tire 22 in	1
6	9002504	Rear Wheel - Newton Gravity + Soft Urethane Tire 24 in	1
7	9002497	Rear Wheel - Newton One + HP, 20 in	1
8	9002505	Rear Wheel - Newton One + HP, 22 in	1
9	9002506	Rear Wheel - Newton One + HP, 24 in	1
10	9002507	Rear Wheel - Newton Gravity + HP, 20 in	1
11	9002508	Rear Wheel - Newton Gravity + HP, 22 in	1
12	9002509	Rear Wheel - Newton Gravity + HP, 24 in	1
13	9002519	Rear Wheel - Newton Gravity + HP, 25 in	1
14	9002510	Rear Wheel - Newton Gravity + HP, 26 in	1
15	9002498	Rear Wheel - Newton One + Standard Pressure, 20 in	1
16	9002511	Rear Wheel - Newton One + Standard Pressure, 22 in	1
17	9002512	Rear Wheel - Newton One + Standard Pressure, 24 in	1
18	9002513	Rear Wheel - Newton Gravity + Standard Pressure, 20 in	1
19	9002514	Rear Wheel - Newton Gravity + Standard Pressure, 22 in	1
20	9002515	Rear Wheel - Newton Gravity + Standard Pressure, 24 in	1
21	9002520	Rear Wheel - Newton Gravity + Standard Pressure, 25 in	1
22	9002516	Rear Wheel - Newton Gravity + Standard Pressure, 26 in	1

BEARING REPLACEMENT
FOR ALL REAR WHEELS
 Part#: **22011**

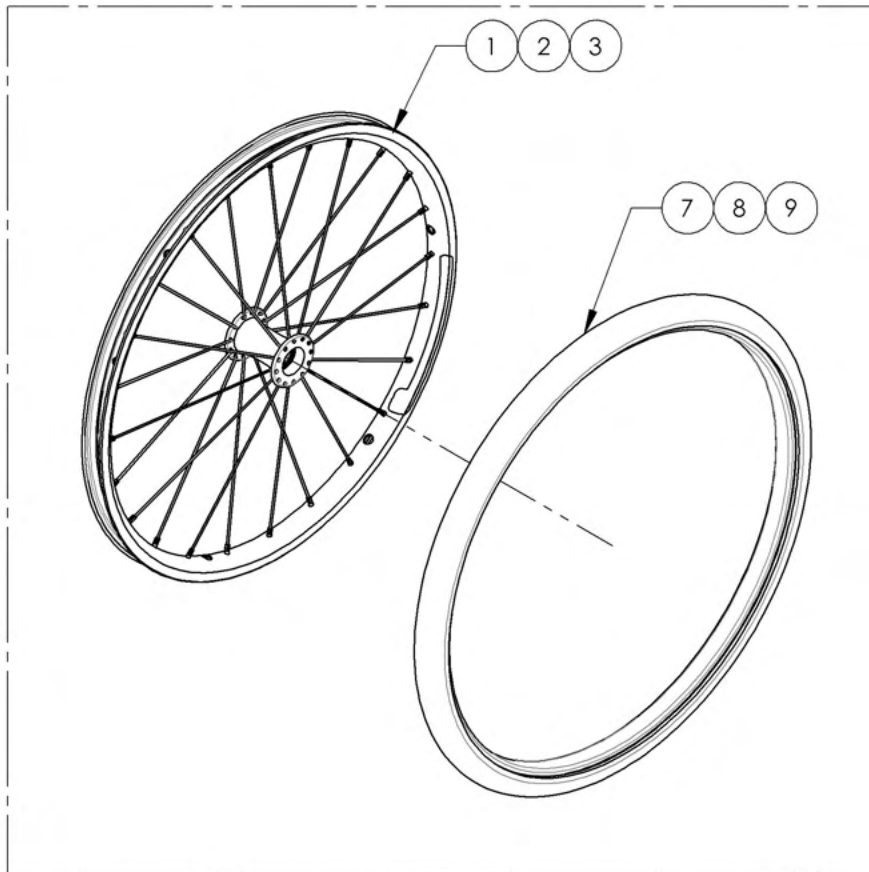
MAKE SURE TO HAVE YOUR SERIAL NUMBER
 NEARBY WHEN ORDERING PARTS FOR YOUR
 MOTION COMPOSITES WHEELCHAIR

9002499_9002504
Rear Wheel + Soft Urethane Tire

ITEM NO.	PARTNO	DESCRIPTION	9002499 /QTY.	9002500 /QTY.	9002501 /QTY.	9002502 /QTY.	9002503 /QTY.	9002504 /QTY.
1	21118	20 in NEWTON ONE WHEEL	1	-	-	-	-	-
2	21110	22 in NEWTON ONE WHEEL	-	1	-	-	-	-
3	21111	24 in NEWTON ONE WHEEL	-	-	1	-	-	-
4	21113	20" NEWTON GRAVITY WHEEL	-	-	-	1	-	-
5	21114	22" NEWTON GRAVITY WHEEL	-	-	-	-	1	-
6	21115	24" NEWTON GRAVITY WHEEL	-	-	-	-	-	1
7	21365	20" URETHANE TIRE	1	-	-	1	-	-
8	21366	22" URETHANE TIRE	-	1	-	-	1	-
9	21367	24" URETHANE TIRE	-	-	1	-	-	1

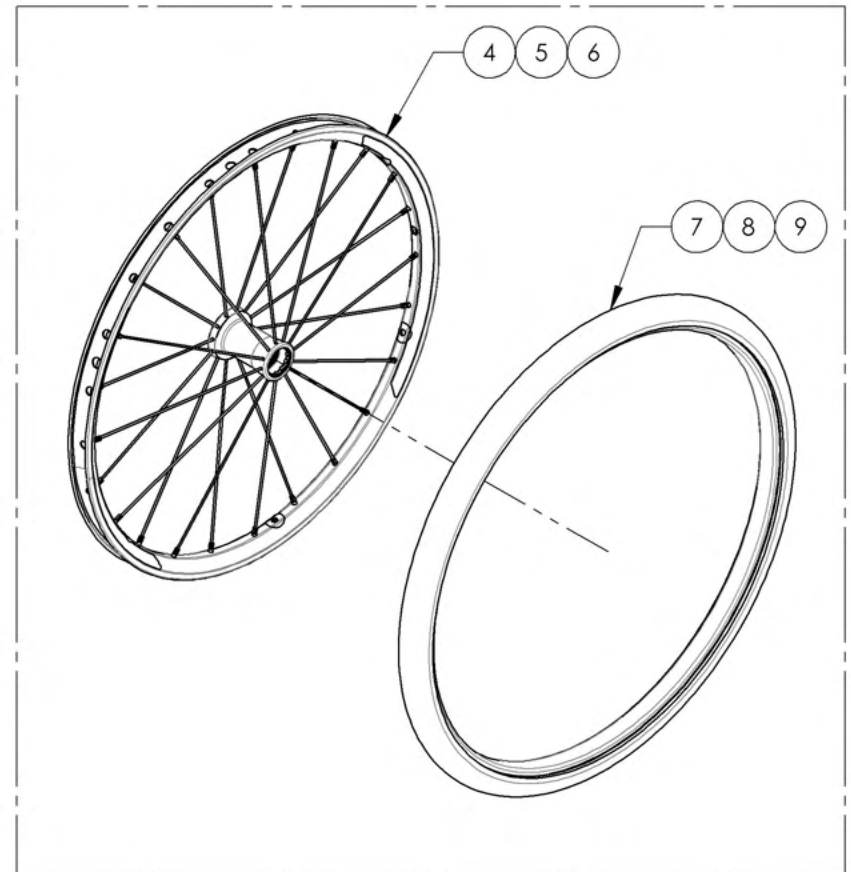
NEWTON ONE

9002499, 9002500 & 9002501



NEWTON GRAVITY

9002502, 9002503 & 9002504



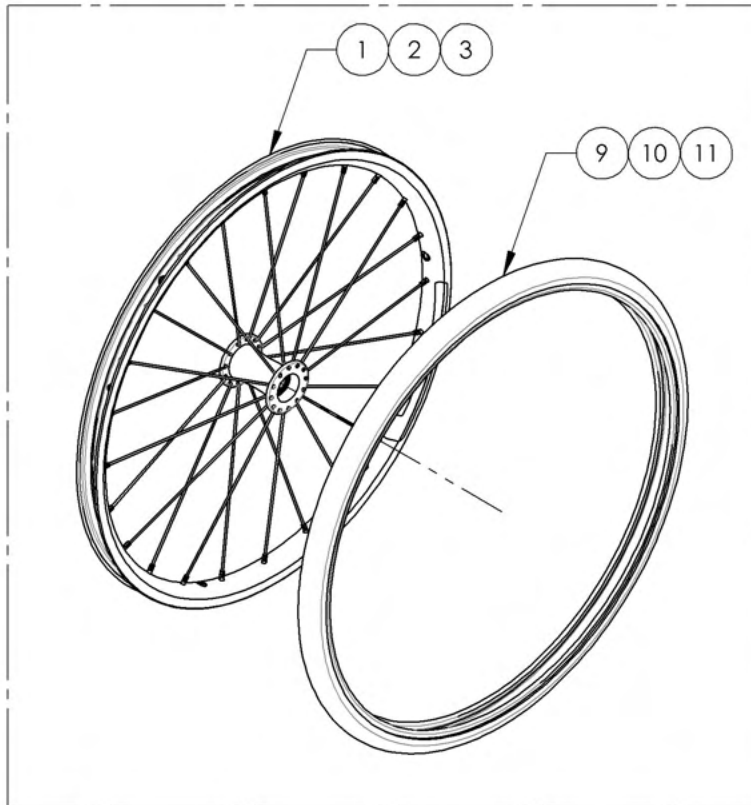
MAKE SURE TO HAVE YOUR SERIAL NUMBER
 NEARBY WHEN ORDERING PARTS FOR YOUR
 MOTION COMPOSITES WHEELCHAIR

9002497 & 9002505_9002510 & 9002519
Rear Wheel + HP Tire

ITEM NO.	PARTNO	DESCRIPTION	9002497 /QTY.	9002505 /QTY.	9002506 /QTY.	9002507 /QTY.	9002508 /QTY.	9002509 /QTY.	9002519 /QTY.	9002510 /QTY.
1	21118	20 in NEWTON ONE WHEEL	1	-	-	-	-	-	-	-
2	21110	22 in NEWTON ONE WHEEL	-	1	-	-	-	-	-	-
3	21111	24 in NEWTON ONE WHEEL	-	-	1	-	-	-	-	-
4	21113	20" NEWTON GRAVITY WHEEL	-	-	-	1	-	-	-	-
5	21114	22" NEWTON GRAVITY WHEEL	-	-	-	-	1	-	-	-
6	21115	24" NEWTON GRAVITY WHEEL	-	-	-	-	-	1	-	-
7	21116	25" NEWTON GRAVITY WHEEL	-	-	-	-	-	-	1	-
8	21117	26" NEWTON GRAVITY WHEEL	-	-	-	-	-	-	-	1
9	21305	IRONCAP/RIGHTRUN 1" HP TIRE 20"	1	-	-	1	-	-	-	-
10	21306	IRONCAP/RIGHTRUN 1" HP TIRE 22"	-	1	-	-	1	-	-	-
11	21307	IRONCAP/RIGHTRUN 1" HP TIRE 24"	-	-	1	-	-	1	-	-
12	21308	IRONCAP/RIGHTRUN 1" HP TIRE 25"	-	-	-	-	-	-	1	-
13	21309	IRONCAP/RIGHTRUN 1" HP TIRE 26"	-	-	-	-	-	-	-	1

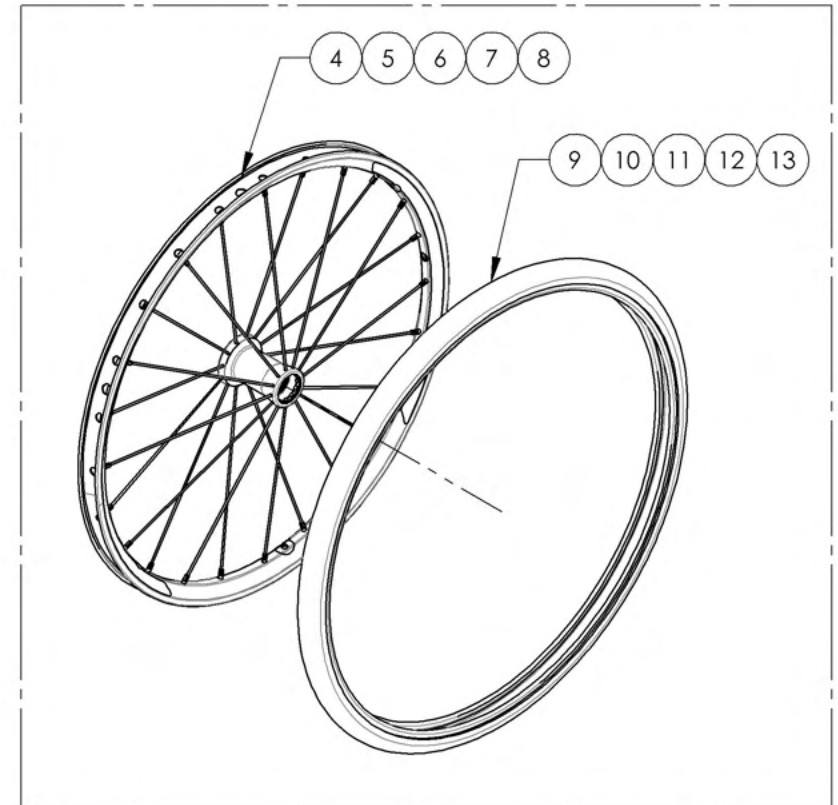
NEWTON ONE

9002497, 9002505 & 9002506



NEWTON GRAVITY

9002507, 9002508, 9002509 & 9002510



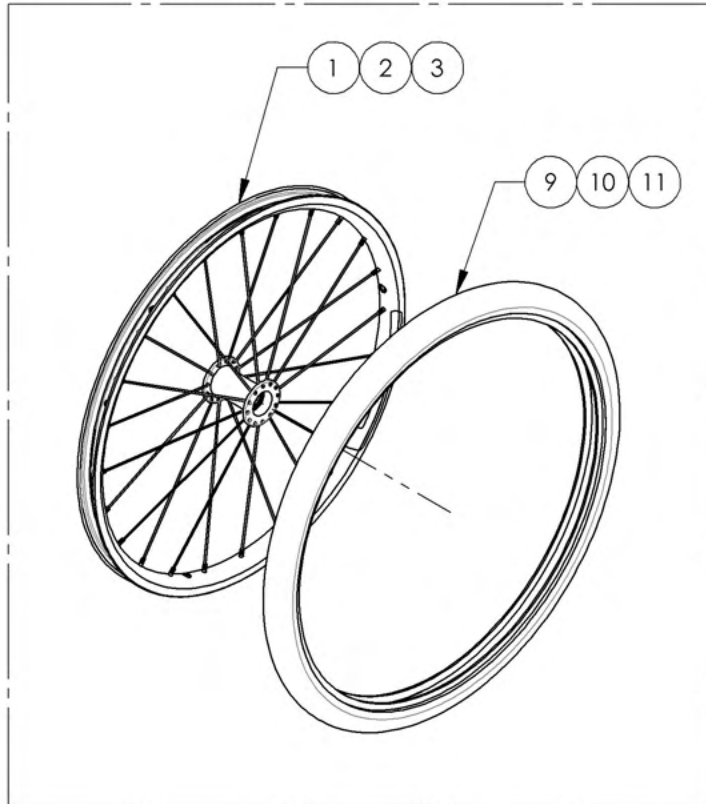
MAKE SURE TO HAVE YOUR SERIAL NUMBER
 NEARBY WHEN ORDERING PARTS FOR YOUR
 MOTION COMPOSITES WHEELCHAIR

9002498 & 9002511_9002516 & 9002520
Rear Wheel + Standard Pressure Tire

ITEM NO.	PARTNO	DESCRIPTION	9002498 /QTY.	9002511 /QTY.	9002512 /QTY.	9002513 /QTY.	9002514 /QTY.	9002515 /QTY.	9002520 /QTY.	9002516 /QTY.
1	21118	20 in NEWTON ONE WHEEL	1	-	-	-	-	-	-	-
2	21110	22 in NEWTON ONE WHEEL	-	1	-	-	-	-	-	-
3	21111	24 in NEWTON ONE WHEEL	-	-	1	-	-	-	-	-
4	21113	20" NEWTON GRAVITY WHEEL	-	-	-	1	-	-	-	-
5	21114	22" NEWTON GRAVITY WHEEL	-	-	-	-	1	-	-	-
6	21115	24" NEWTON GRAVITY WHEEL	-	-	-	-	-	1	-	-
7	21116	25" NEWTON GRAVITY WHEEL	-	-	-	-	-	-	1	-
8	21117	26" NEWTON GRAVITY WHEEL	-	-	-	-	-	-	-	1
9	21315	20"x1 3/8" PNEUMATIC TIRE	1	-	-	1	-	-	-	-
10	21316	22"x1 3/8" PNEUMATIC TIRE	-	1	-	-	1	-	-	-
11	21317	24"x1 3/8" PNEUMATIC TIRE	-	-	1	-	-	1	-	-
12	21318	25"x1 3/8" PNEUMATIC TIRE	-	-	-	-	-	-	1	-
13	21319	26"x1 3/8" PNEUMATIC TIRE	-	-	-	-	-	-	-	1

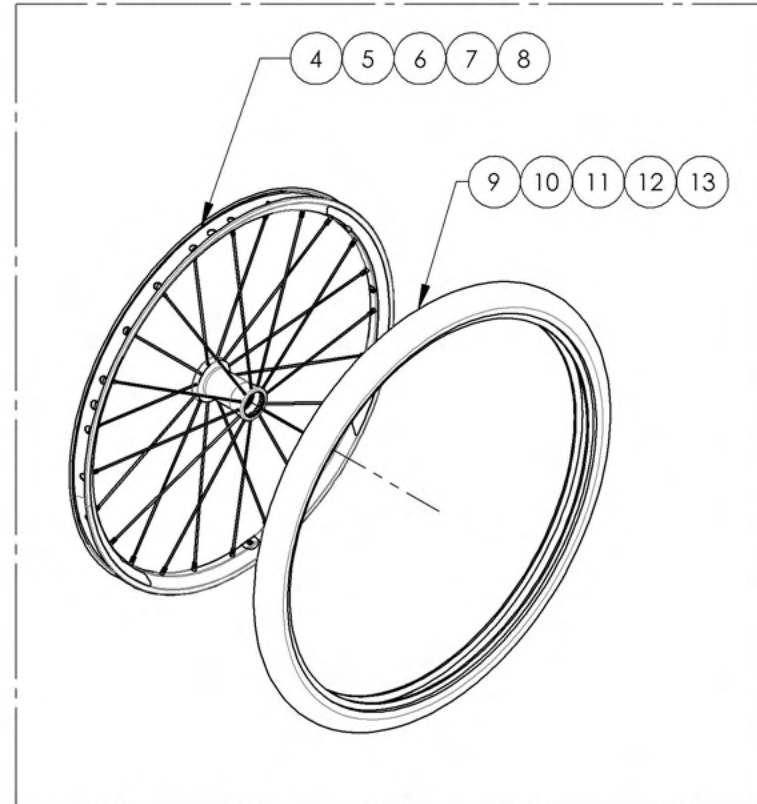
NEWTON ONE

9002498, 9002511 & 9002512



NEWTON GRAVITY

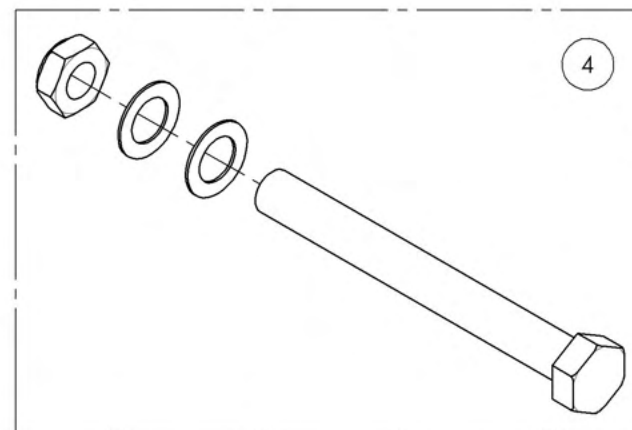
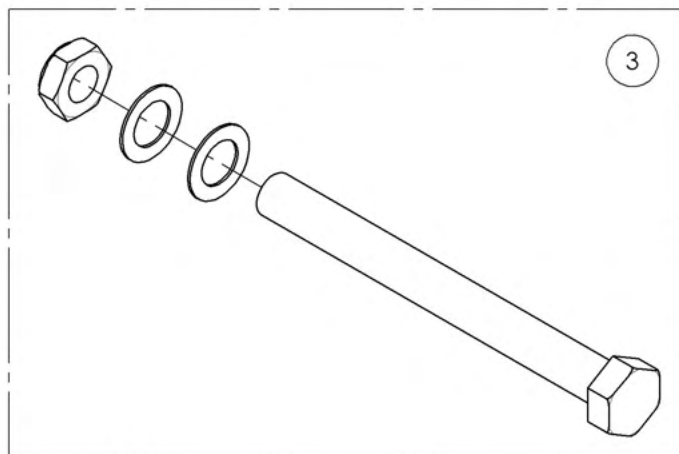
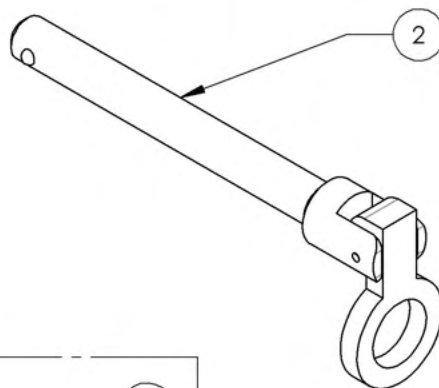
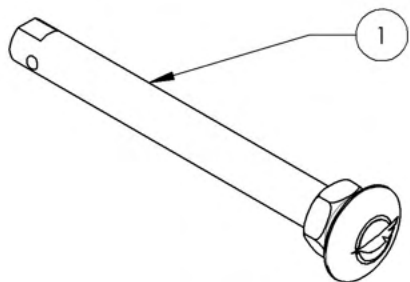
9002513, 9002514, 9002515, 9002520 & 9002516



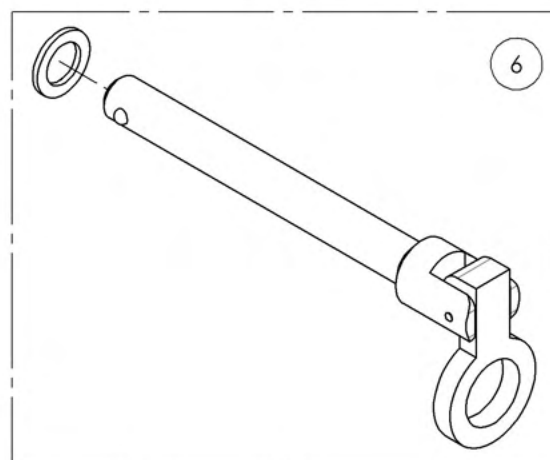
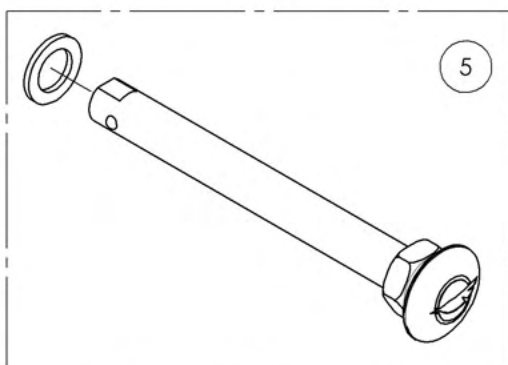
MAKE SURE TO HAVE YOUR SERIAL NUMBER NEARBY WHEN ORDERING PARTS FOR YOUR MOTION COMPOSITES WHEELCHAIR

Rear Wheels Catalogue
Quick Release & Permanent Axles

ITEM NO.	PARTNO	DESCRIPTION	QTY.
1	9001561	Wheel Axle - Quick Release	1
2	9001563	Wheel Axle - Quad Release	1
3	9001562	Wheel Axle - Permanent for Mag Wheels	1
4	9002956	Wheel Axle - Permanent	1
5	9002896	Wheel Axle - Quick Release, for Spinerge Spox & LX Wheels	1
6	9002897	Wheel Axle - Quad Release, for Spinerge Spox & LX Wheels	1



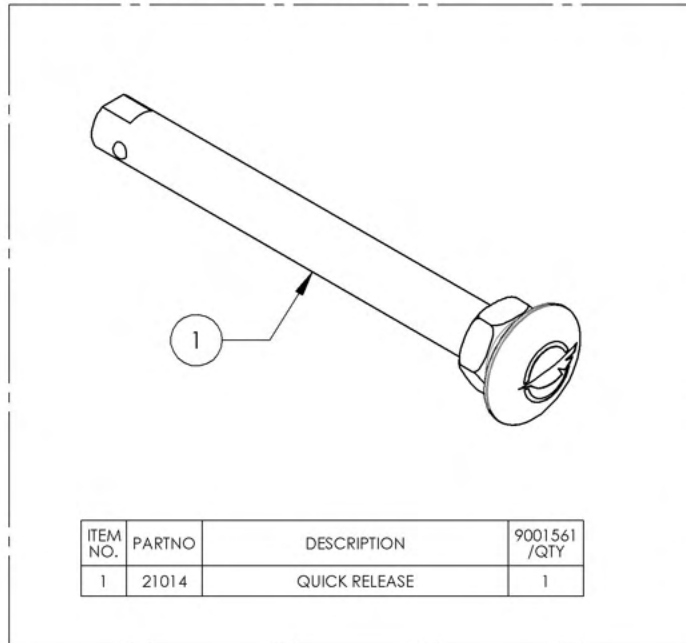
FOR SPINERGY SPOX & LX WHEELS ONLY



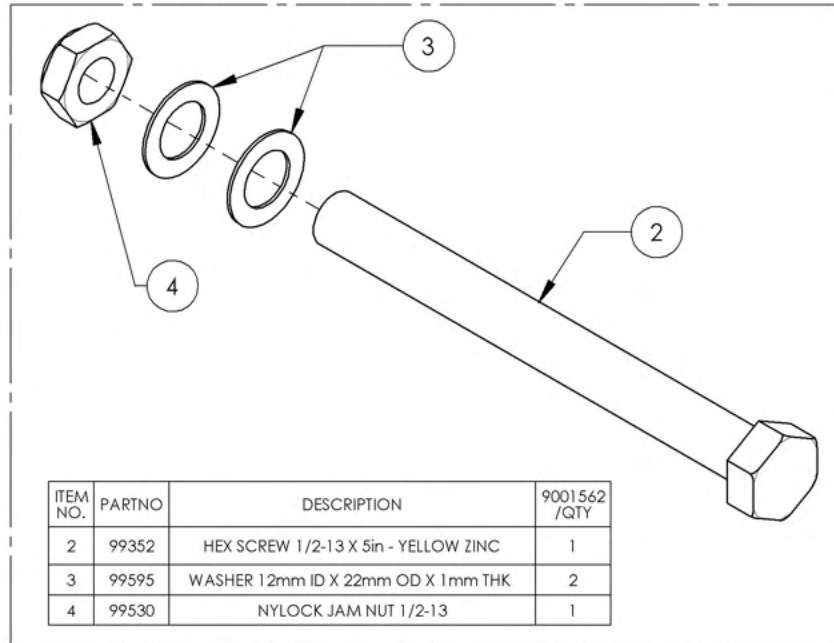
MAKE SURE TO HAVE YOUR SERIAL NUMBER
 NEARBY WHEN ORDERING PARTS FOR YOUR
 MOTION COMPOSITES WHEELCHAIR

**9001561_9001563 & 9002956
Wheel Axles**

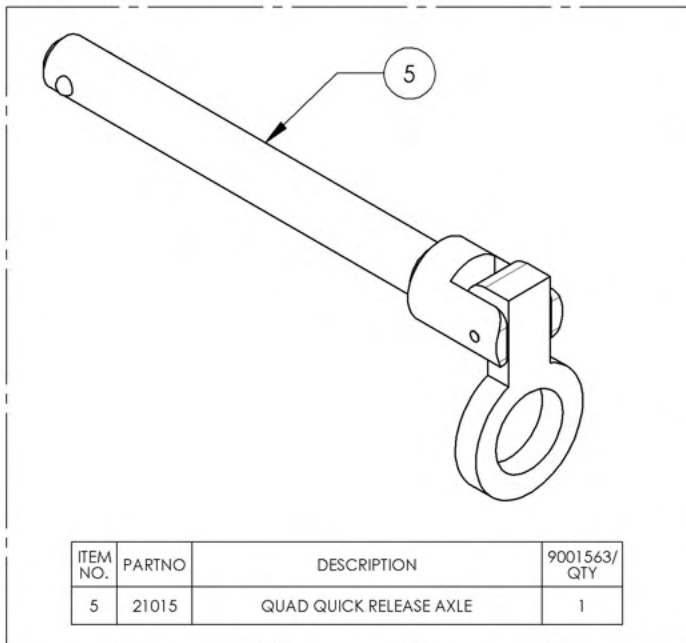
9001561 - Wheel Axle - Quick Release



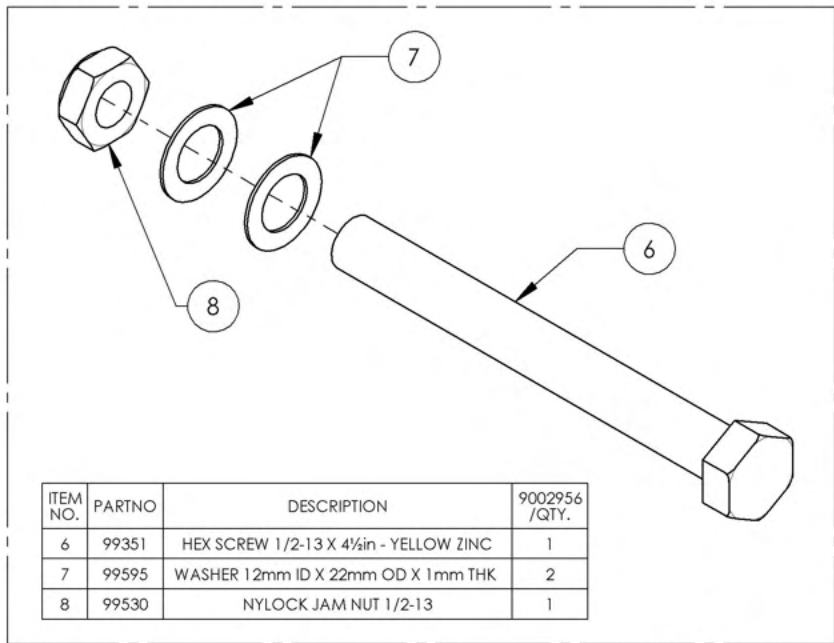
9001562 - Wheel Axle - Permanent for Mag Wheels



9001563 - Wheel Axle - Quad Release



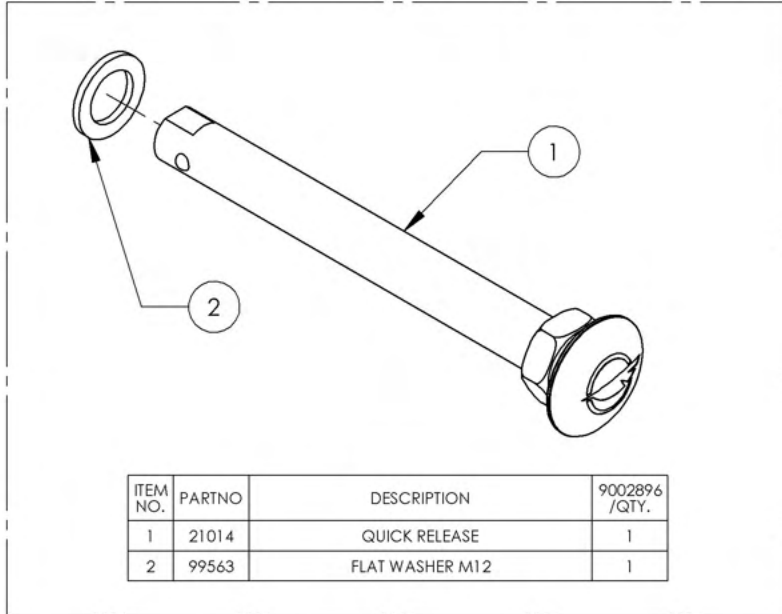
9002956 - Wheel Axle - Permanent



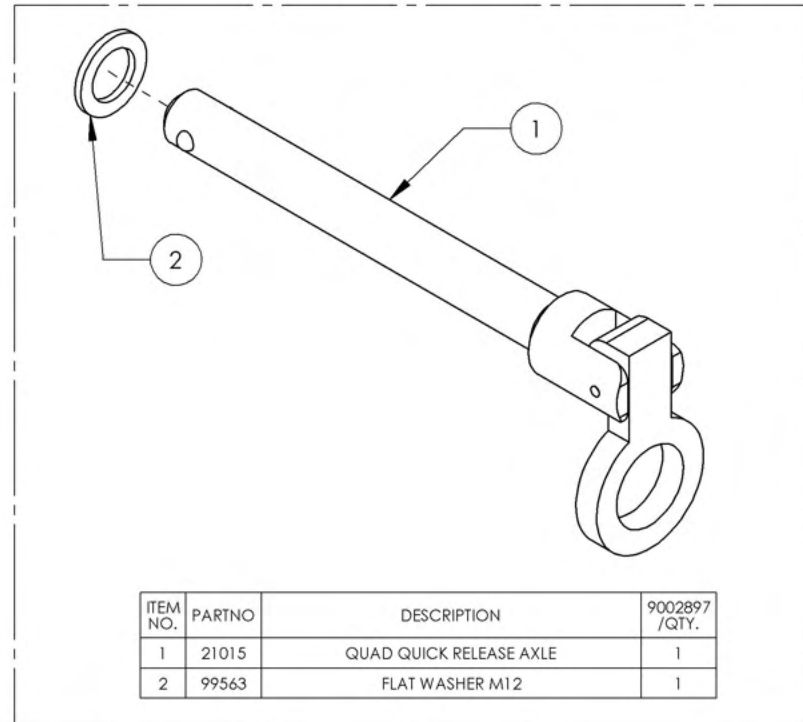
MAKE SURE TO HAVE YOUR SERIAL NUMBER NEARBY WHEN ORDERING PARTS FOR YOUR MOTION COMPOSITES WHEELCHAIR

9002896_9002897
Wheel Axles for Spinerger SPOX & LX Wheels

9002896 - Wheel Axle - Quick Release, for Spinerger Spox & LX Wheels



9002897 - Wheel Axle - Quad Release, for Spinerger Spox & LX Wheels

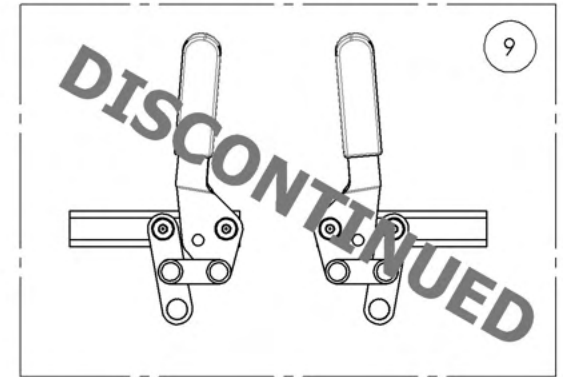
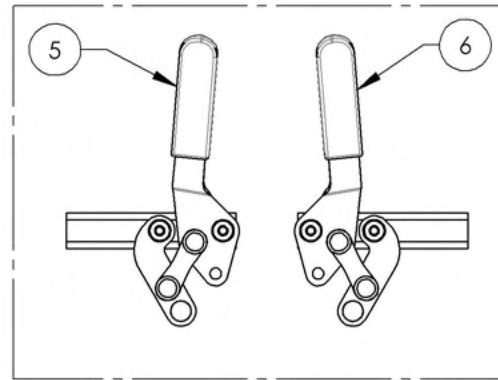
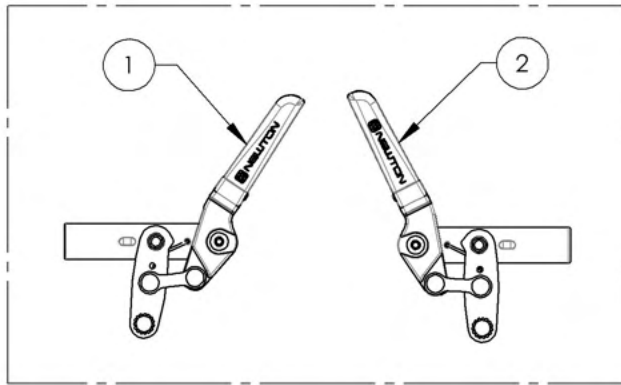


MAKE SURE TO HAVE YOUR SERIAL NUMBER
 NEARBY WHEN ORDERING PARTS FOR YOUR
 MOTION COMPOSITES WHEELCHAIR

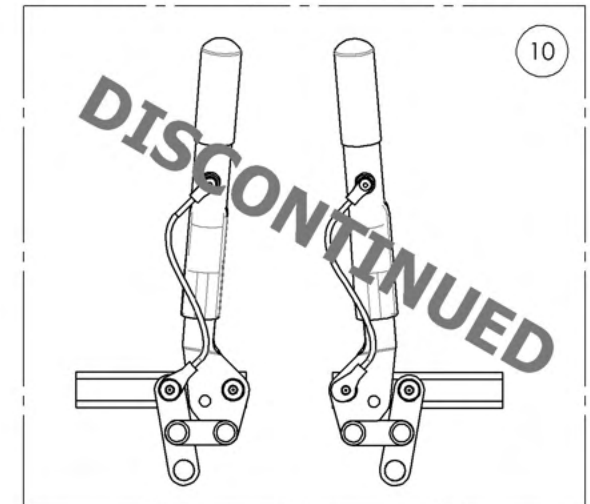
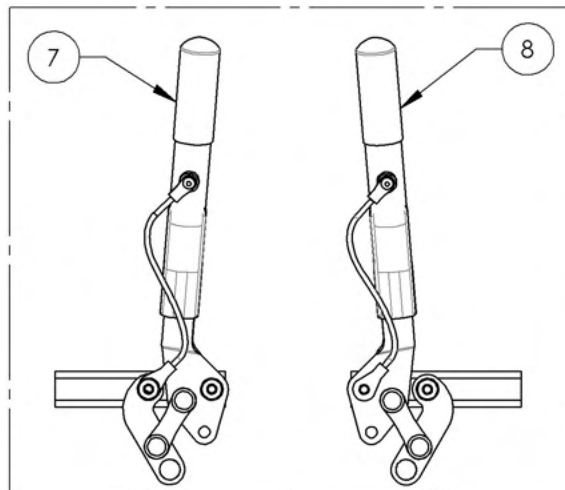
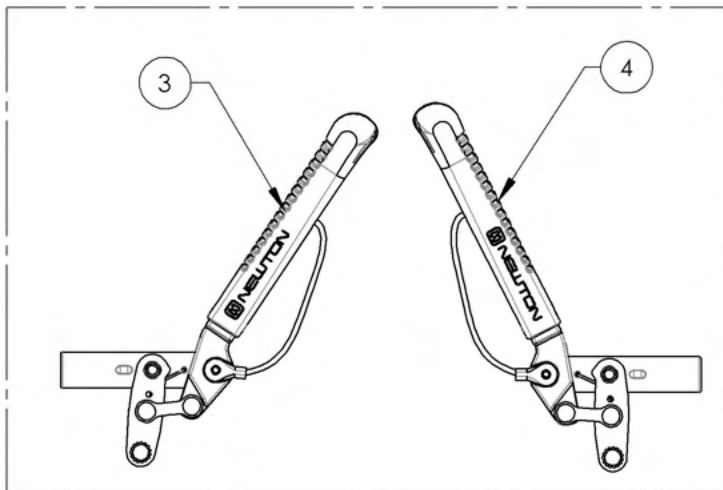
Wheel Locks Catalogue
Wheel Lock - Push & Pull

ITEM NO.	PARTNO	DESCRIPTION	QTY.
1	9002216	Wheel Lock - Newton Spring Loaded Push to lock, Right	1
2	9002217	Wheel Lock - Newton Spring Loaded Push to lock, Left	1
3	9002218	Wheel Lock - Newton Spring Loaded Push to lock, 6 in Removable Extension Handle, Right	1
4	9002219	Wheel Lock - Newton Spring Loaded Push to lock, 6 in Removable Extension Handle, Left	1
5	9001128	Wheel Lock - Pull to Lock, Right	1
6	9001129	Wheel Lock - Pull to Lock, Left	1
7	9001130	Wheel Lock - Pull to Lock, 6 in Removable Extension Handle, Right	1
8	9001131	Wheel Lock - Pull to Lock, 6 in Removable Extension Handle, Left	1
9	9001573	DISCONTINUED Wheel Lock - Push to lock, 6 in Removable Extension Handle, Right	1
10	9001575	DISCONTINUED Wheel Lock - Push to lock, 6 in Removable Extension Handle, Left	1

REPLACED BY #9002216 & #9002217



REPLACED BY #9002218 & #9002219

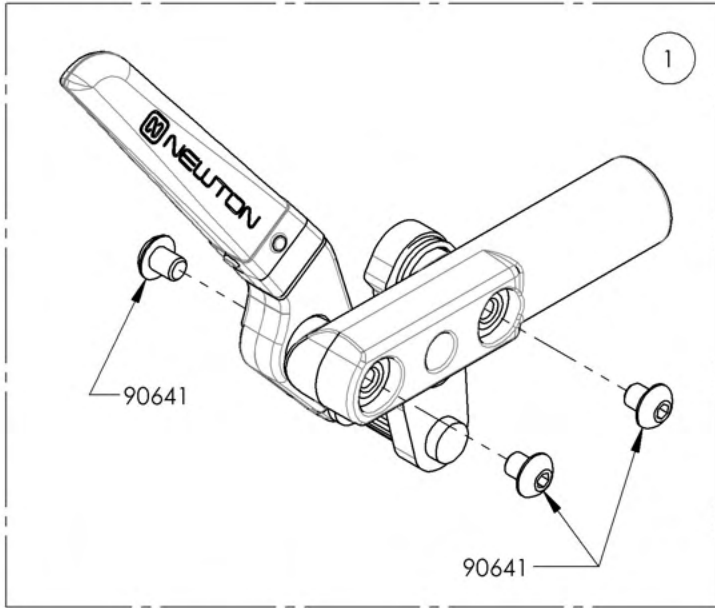


MAKE SURE TO HAVE YOUR SERIAL NUMBER
 NEARBY WHEN ORDERING PARTS FOR YOUR
 MOTION COMPOSITES WHEELCHAIR

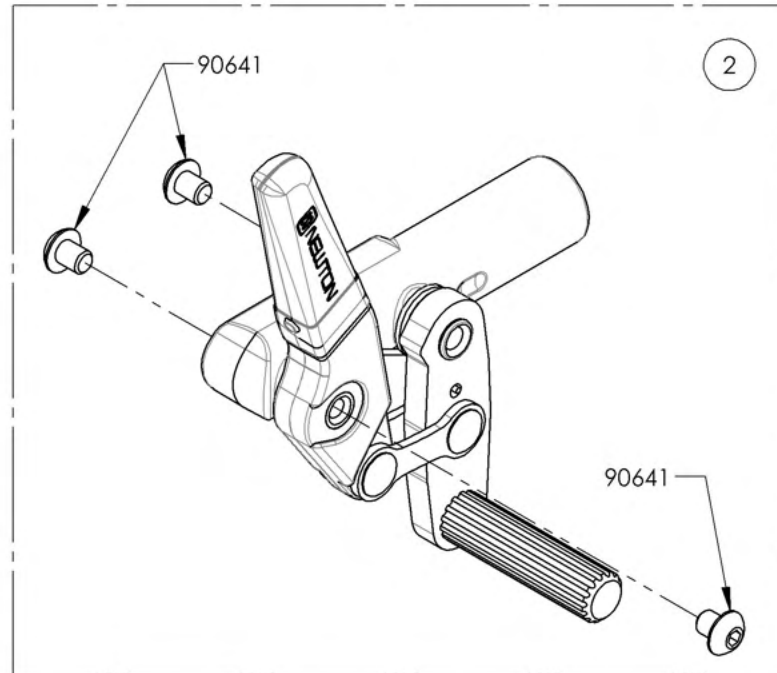
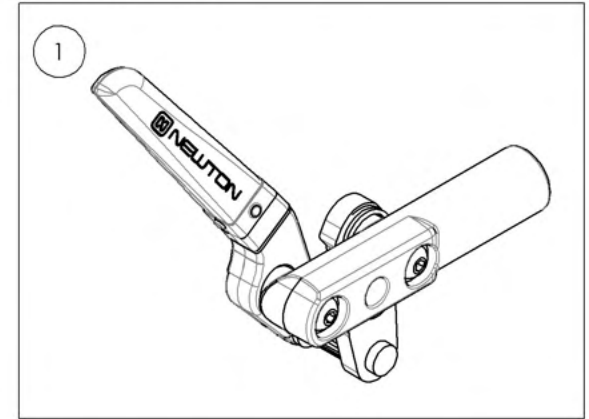
9002216_9002217

Wheel Lock - Newton Spring Loaded Push to lock

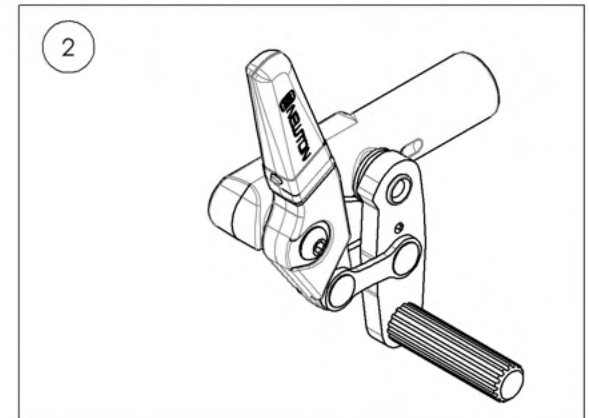
ITEM NO.	PARTNO	DESCRIPTION	9002216 /QTY.	9002217 /QTY.
1	41057	NEWTON PUSH SPRING WHEEL LOCK, RIGHT - ASSY	1	-
2	41056	NEWTON PUSH SPRING WHEEL LOCK, LEFT - ASSY	-	1



9002216
Wheel Lock - Newton Spring Loaded
Push to lock, Right



9002217
Wheel Lock - Newton Spring Loaded
Push to lock, Left

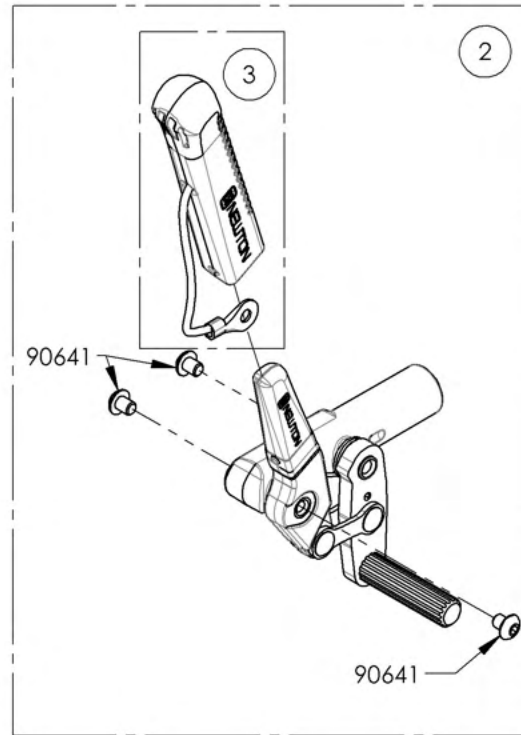
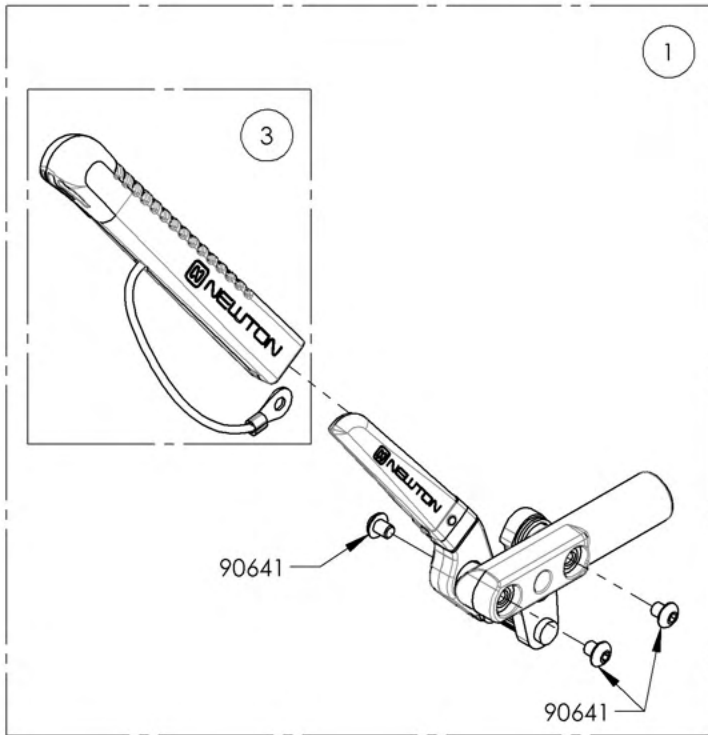


MAKE SURE TO HAVE YOUR SERIAL NUMBER
NEARBY WHEN ORDERING PARTS FOR YOUR
MOTION COMPOSITES WHEELCHAIR

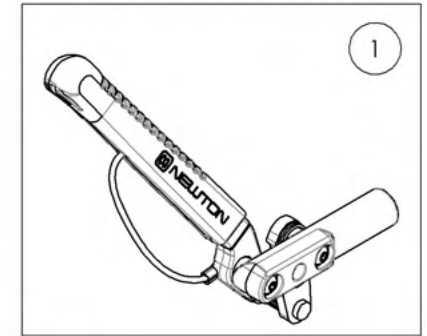
9002218_9002219

**Wheel Lock - Newton Spring Loaded Push to lock,
6 in Removable Extension Handle**

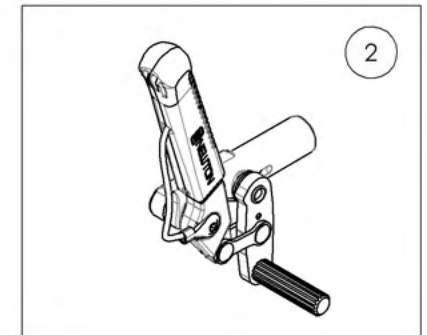
ITEM NO.	PARTNO	DESCRIPTION	9002218 /QTY.	9002219 /QTY.	REPLACEMENT PARTS/QTY.
1	41052	NEWTON PUSH SPRING WHEEL LOCK + EXTENSION, RIGHT - ASSY	1	-	-
2	41051	NEWTON PUSH SPRING WHEEL LOCK + EXTENSION, LEFT - ASSY	-	1	-
3	41500	NEWTON REMOVABLE EXTENSION HANDLE - ASSEMBLY	-	-	1



9002218
Wheel Lock - Newton Spring
Loaded Push to lock, 6 in
Removable Extension Handle



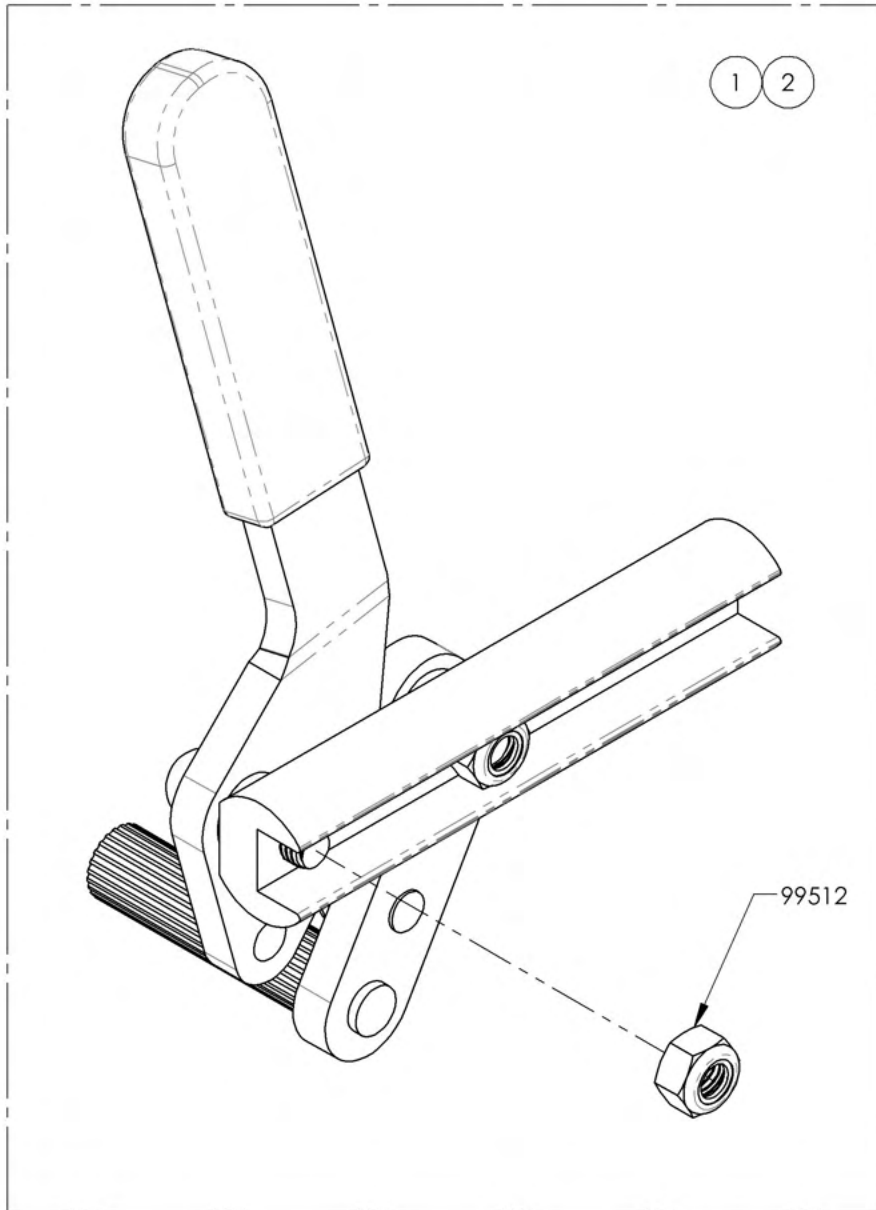
9002219
Wheel Lock - Newton Spring
Loaded Push to lock, 6 in
Removable Extension Handle



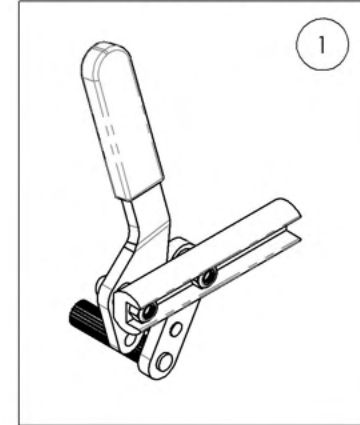
MAKE SURE TO HAVE YOUR SERIAL NUMBER
NEARBY WHEN ORDERING PARTS FOR YOUR
MOTION COMPOSITES WHEELCHAIR

9001128_9001129
Wheel Lock - Pull to Lock

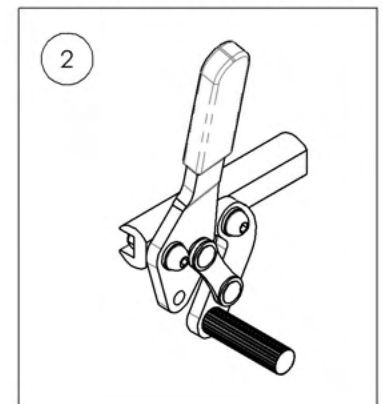
ITEM NO.	PARTNO	DESCRIPTION	9001128 /QTY.	9001129 /QTY.
1	41078	PULL TO LOCK WHEEL LOCK, RIGHT	1	-
2	41079	PULL TO LOCK WHEEL LOCK, LEFT	-	1



9001128
 Wheel Lock - Pull to Lock, Right

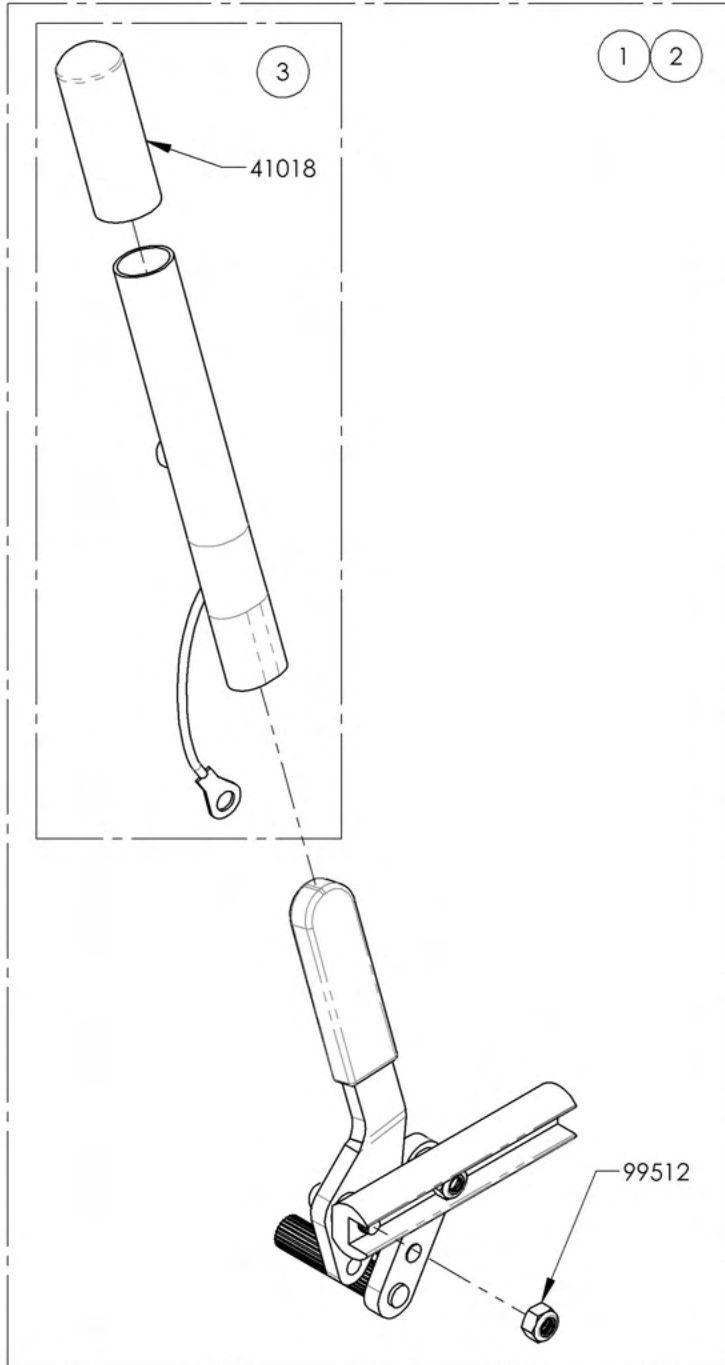


9001129
 Wheel Lock - Pull to Lock, Left



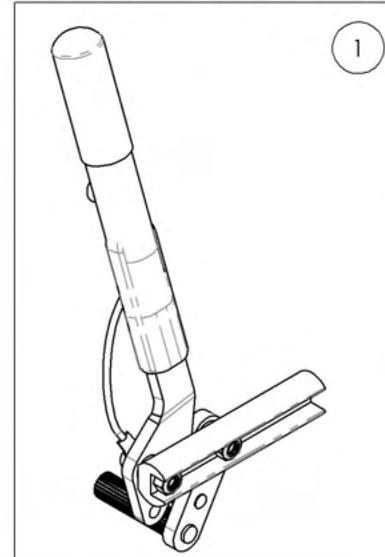
MAKE SURE TO HAVE YOUR SERIAL NUMBER
 NEARBY WHEN ORDERING PARTS FOR YOUR
 MOTION COMPOSITES WHEELCHAIR

9001130_9001131
Wheel Lock - Pull to Lock, 6 in Removable Extension Handle

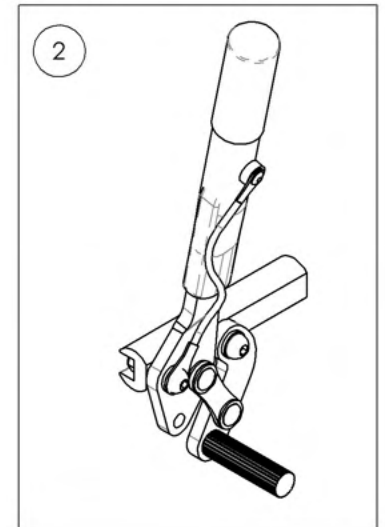


ITEM NO.	PARTNO	DESCRIPTION	9001130 /QTY.	9001131 /QTY.	REPLACEMENT PARTS/QTY.
1	41080	PULL TO LOCK WHEEL LOCK + EXTENSION, RIGHT	1	-	-
2	41081	PULL TO LOCK WHEEL LOCK + EXTENSION, LEFT	-	1	-
3	41005	REMOVABLE EXTENSION HANDLE	-	-	1

9001130
 Wheel Lock - Pull to Lock, 6 in
 Removable Extension Handle, Right



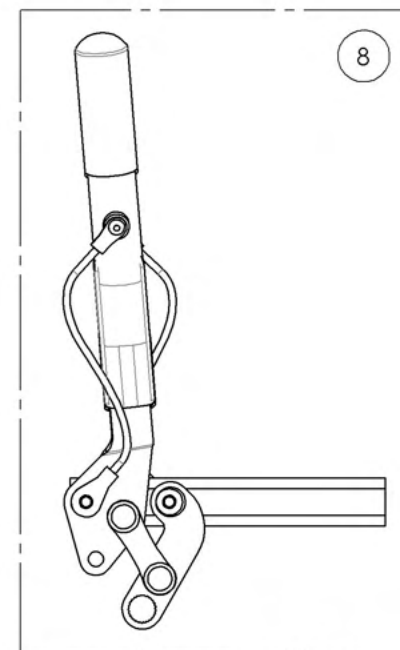
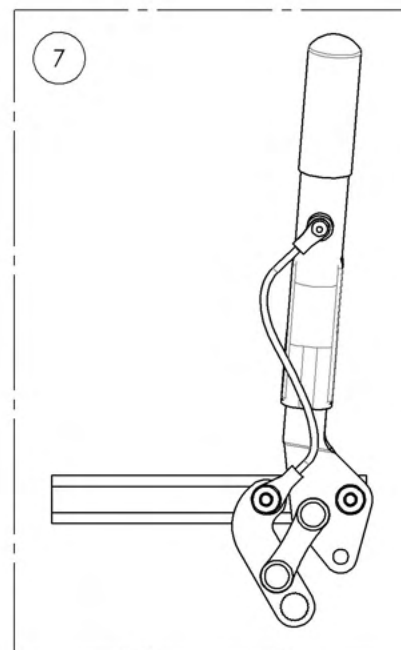
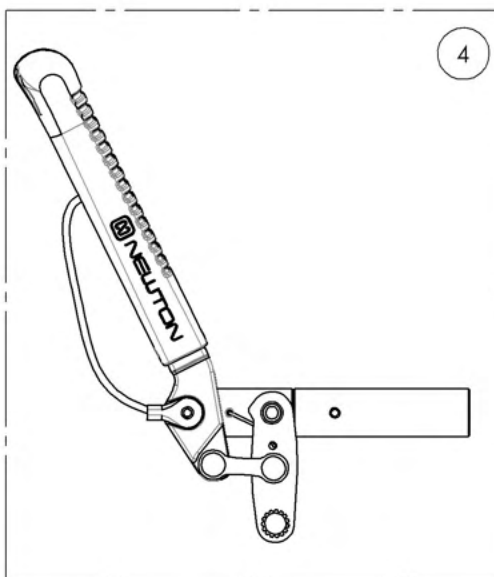
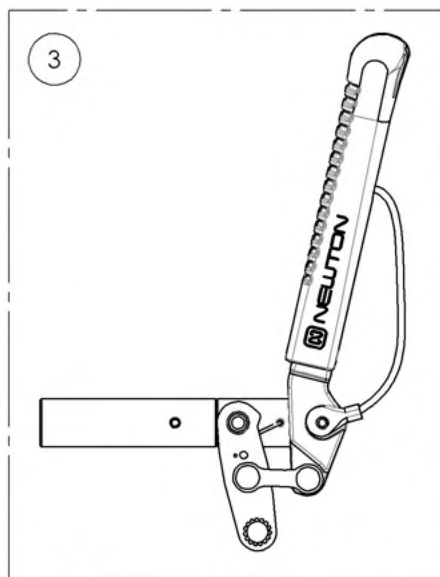
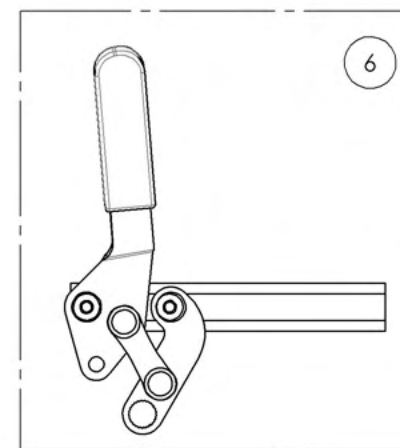
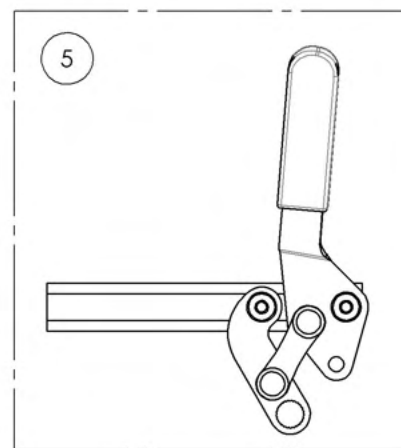
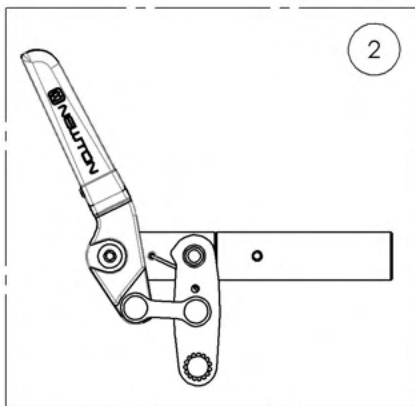
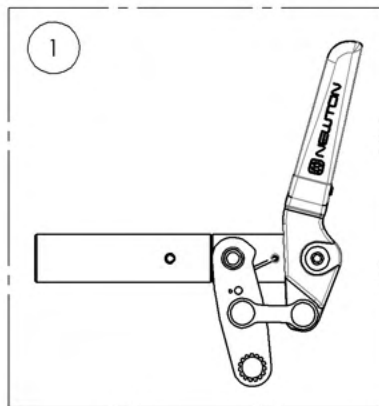
9001131
 Wheel Lock - Pull to Lock, 6 in
 Removable Extension Handle, Left



MAKE SURE TO HAVE YOUR SERIAL NUMBER
 NEARBY WHEN ORDERING PARTS FOR YOUR
 MOTION COMPOSITES WHEELCHAIR

Wheel Locks Catalogue
Wheel Lock - Push & Pull with Extended Rail

ITEM NO.	PARTNO	DESCRIPTION	QTY.
1	9003025	Wheel Lock - Newton Spring Loaded Push to Lock, Extended Rail, Right	1
2	9003026	Wheel Lock - Newton Spring Loaded Push to Lock, Extended Rail, Left	1
3	9003027	Wheel Lock - Newton Spring Loaded Push to Lock, Extended Rail, 6 in Removable Extension Handle, Right	1
4	9003028	Wheel Lock - Newton Spring Loaded Push to Lock, Extended Rail, 6 in Removable Extension Handle, Left	1
5	9003628	Wheel Lock - Pull to Lock, Extended Rail, Right	1
6	9003629	Wheel Lock - Pull to Lock, Extended Rail, Left	1
7	9003630	Wheel Lock - Pull to Lock, Extended Rail, 6 in Removable Extension Handle, Right	1
8	9003631	Wheel Lock - Pull to Lock, Extended Rail, 6 in Removable Extension Handle, Left	1

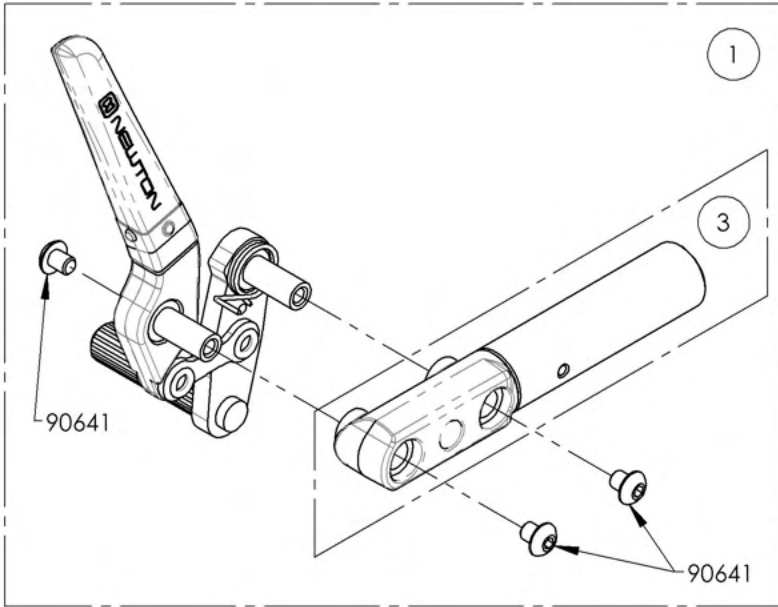


MAKE SURE TO HAVE YOUR SERIAL NUMBER
 NEARBY WHEN ORDERING PARTS FOR YOUR
 MOTION COMPOSITES WHEELCHAIR

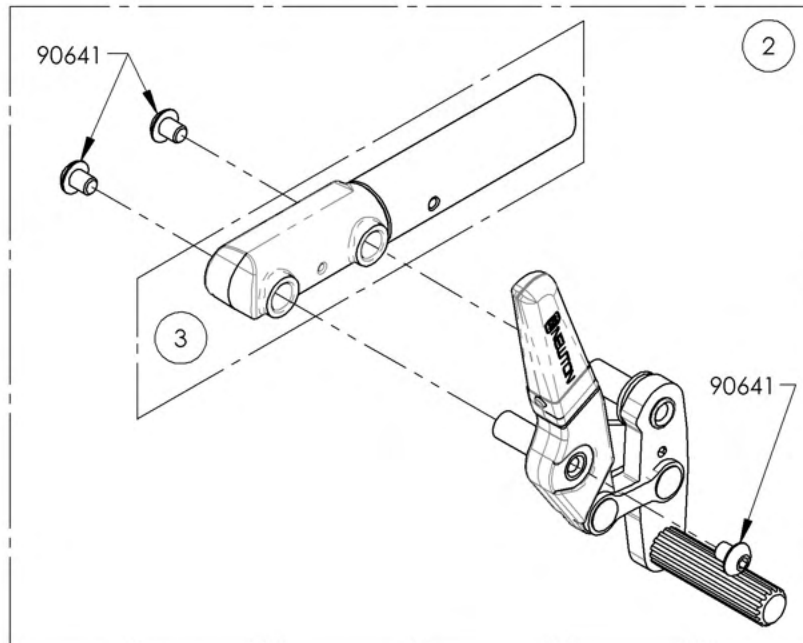
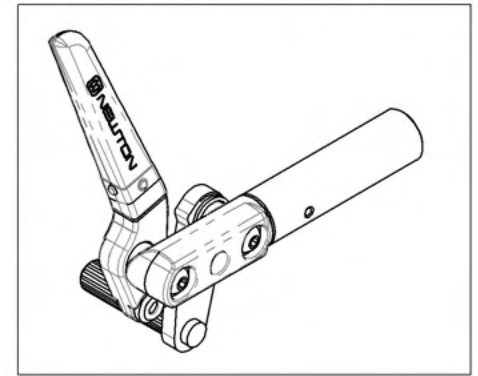
9003025_9003026

Wheel Lock - Newton Spring Loaded Push to Lock, Extended Rail

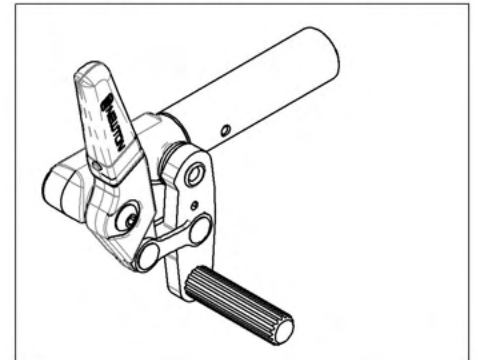
ITEM NO.	PARTNO	DESCRIPTION	9003025 /QTY.	9003026 /QTY.	REPLACEMENT PARTS/QTY.
1	41516	NEWTON PUSH SPRING WHEEL LOCK WITH EXTENDED RAIL, RIGHT - ASSEMBLY	1	-	-
2	41517	NEWTON PUSH SPRING WHEEL LOCK WITH EXTENDED RAIL, LEFT - ASSEMBLY	-	1	-
3	41072	EXTENDED WHEEL LOCK RAIL_PUSH TO LOCK	-	-	1



9003025
Wheel Lock - Newton Spring Loaded
Push to Lock, Extended Rail, Right



9003026
Wheel Lock - Newton Spring Loaded
Push to Lock, Extended Rail, Left

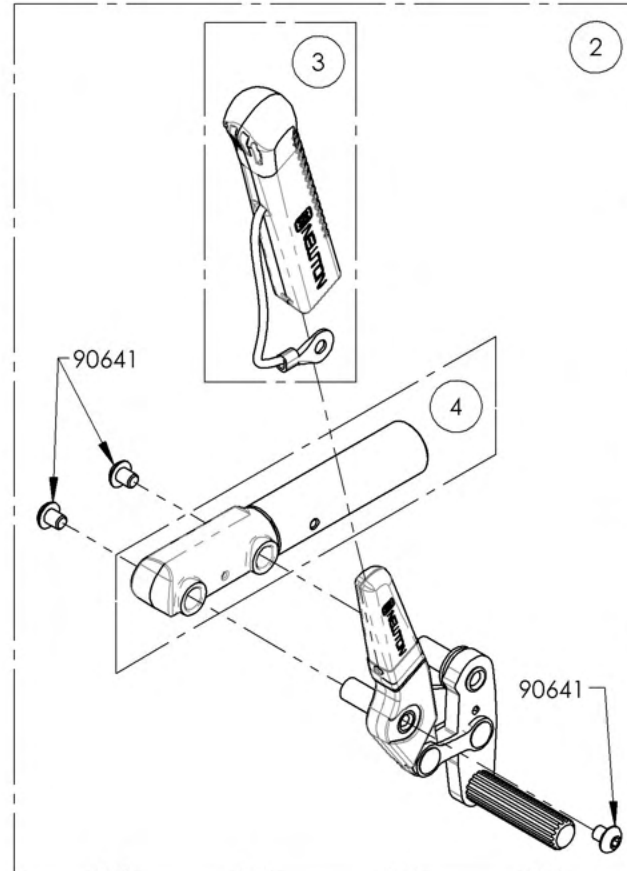
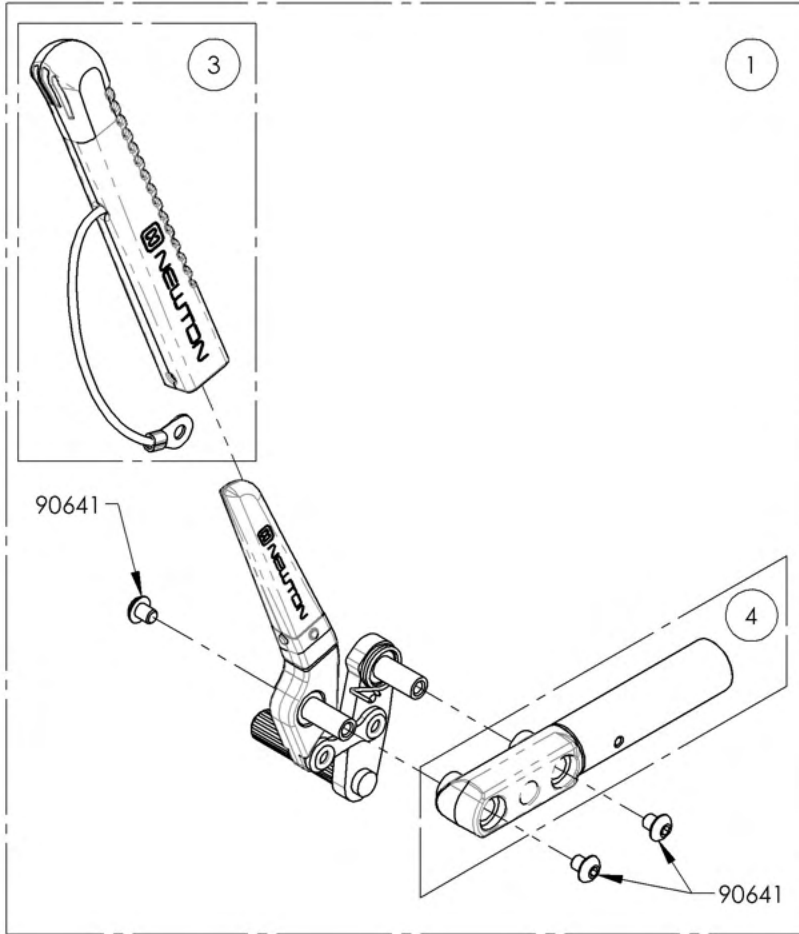


MAKE SURE TO HAVE YOUR SERIAL NUMBER
NEARBY WHEN ORDERING PARTS FOR YOUR
MOTION COMPOSITES WHEELCHAIR

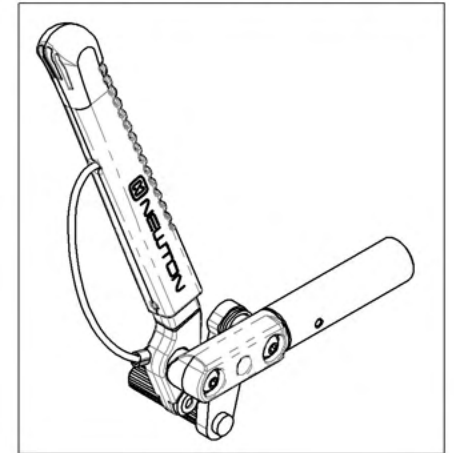
9003027_9003028

Wheel Lock - Newton Spring Loaded Push to Lock, Extended Rail, 6 in Removable Extension Handle

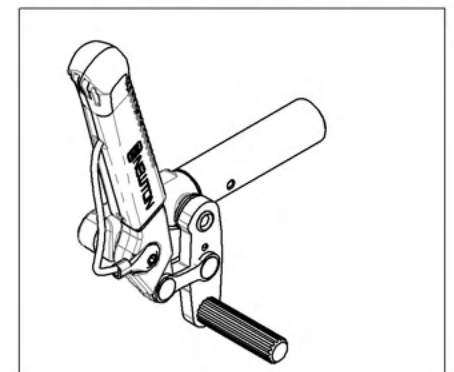
ITEM NO.	PARTNO	DESCRIPTION	9003027 /QTY.	9003028 /QTY.	REPLACEMENT PARTS/QTY.
1	41076	NEWTON PUSH SPRING WHEEL LOCK WITH EXTENSION + EXTENDED RAIL, RIGHT - ASSEMBLY	1	-	-
2	41077	NEWTON PUSH SPRING WHEEL LOCK WITH EXTENSION + EXTENDED RAIL, LEFT - ASSEMBLY	-	1	-
3	41500	NEWTON REMOVABLE EXTENSION HANDLE - ASSEMBLY	-	-	1
4	41072	EXTENDED WHEEL LOCK RAIL_PUSH TO LOCK	-	-	1



9003027
Wheel Lock - Newton Spring Loaded
Push to Lock, Extended Rail, 6 in
Removable Extension Handle, Right



9003028
Wheel Lock - Newton Spring Loaded
Push to Lock, Extended Rail, 6 in
Removable Extension Handle, Left

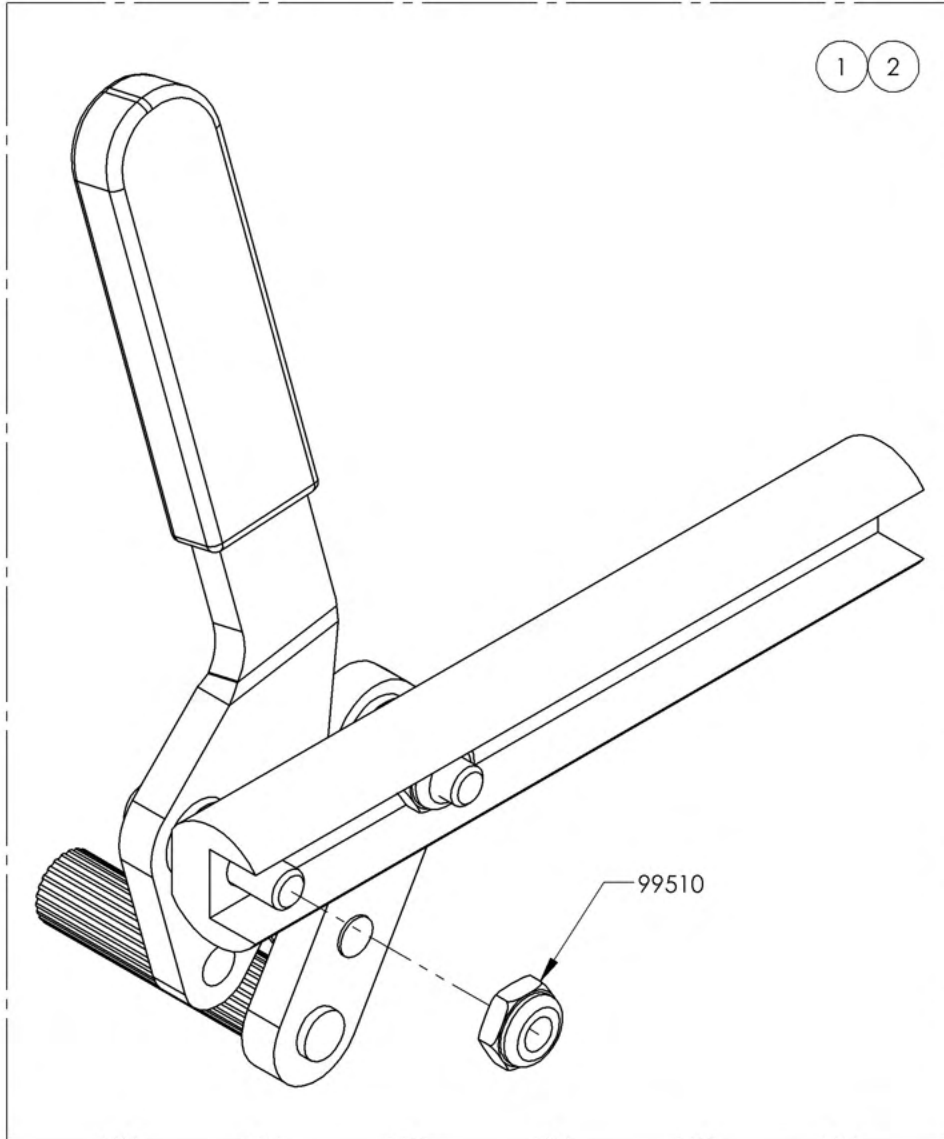


MAKE SURE TO HAVE YOUR SERIAL NUMBER NEARBY WHEN ORDERING PARTS FOR YOUR MOTION COMPOSITES WHEELCHAIR

9003628_9003629

Wheel Lock - Pull to Lock, Extended Rail

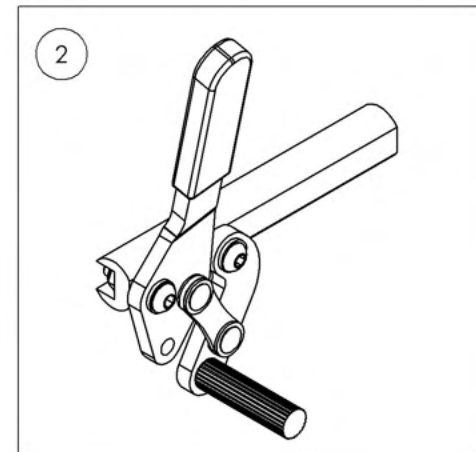
ITEM NO.	PARTNO	DESCRIPTION	9003628 /QTY.	9003629 /QTY.
1	41714	PULL TO LOCK WHEEL LOCK + EXTENSION RAIL, RIGHT	1	-
2	41715	PULL TO LOCK WHEEL LOCK + EXTENSION RAIL, LEFT	-	1



Default
Wheel Lock - Pull to Lock, Extended Rail, Right



Default
Wheel Lock - Pull to Lock, Extended Rail, Left

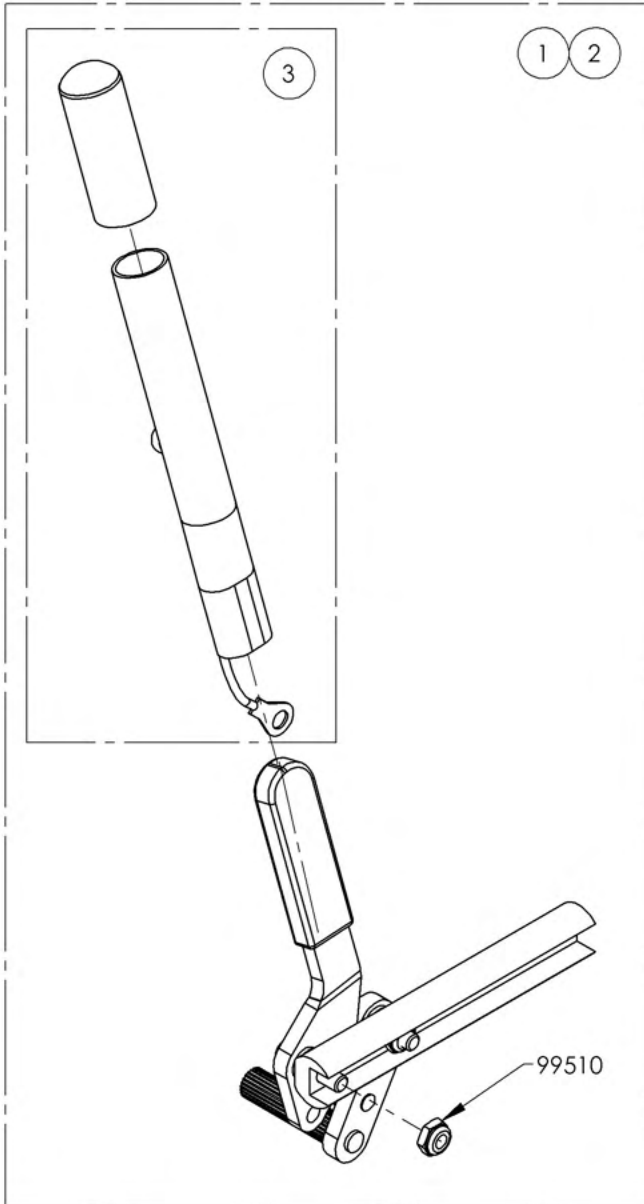


MAKE SURE TO HAVE YOUR SERIAL NUMBER
NEARBY WHEN ORDERING PARTS FOR YOUR
MOTION COMPOSITES WHEELCHAIR

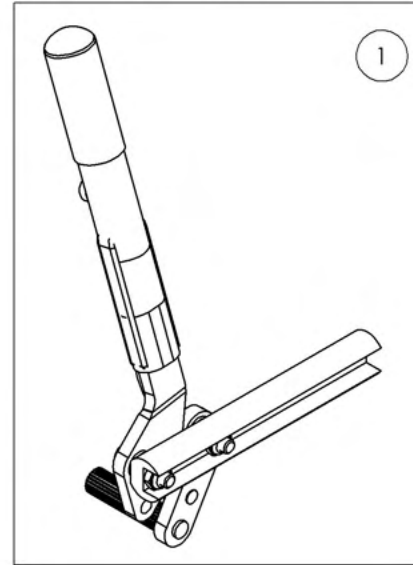
9003630_9003631

Wheel Lock - Pull to Lock, Extended Rail, 6 in Removable Extension Handle

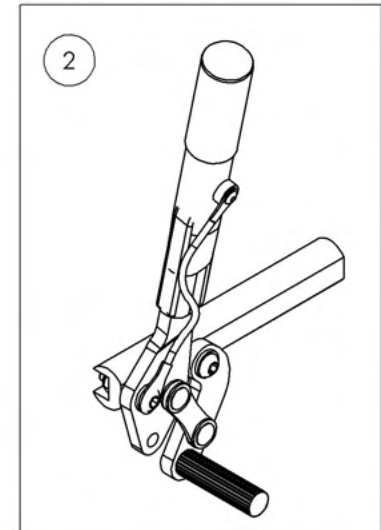
ITEM NO.	PARTNO	DESCRIPTION	9003630 /QTY.	9003631 /QTY.	REPLACEMENT PARTS/QTY.
1	41712	PULL TO LOCK WHEEL LOCK + HANDLE & EXTENSION RAIL, RIGHT	1	-	-
2	41713	PULL TO LOCK WHEEL LOCK + HANDLE & EXTENSION RAIL, LEFT	-	1	-
3	41005	REMOVABLE EXTENSION HANDLE	-	-	1



Default
Wheel Lock - Pull to Lock, Extended Rail,
6 in Removable Extension Handle, Right



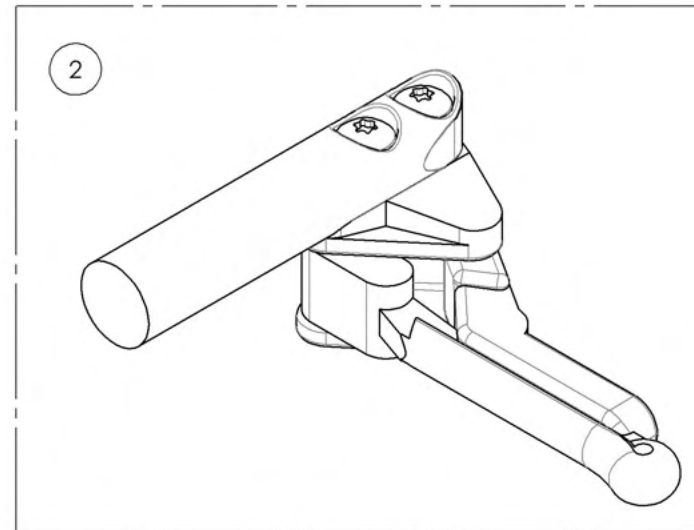
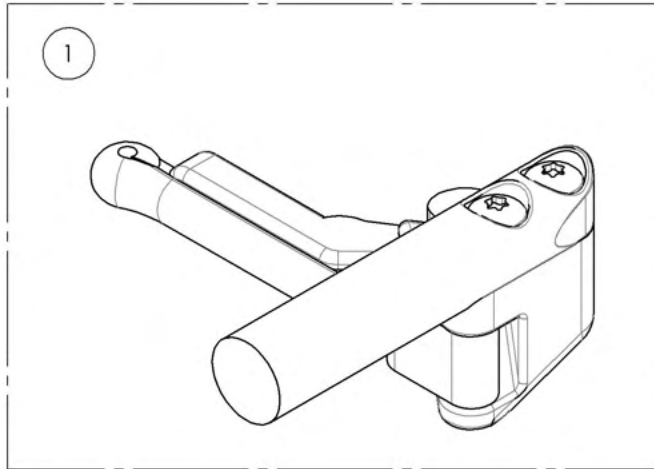
Default
Wheel Lock - Pull to Lock, Extended Rail,
6 in Removable Extension Handle, Left



MAKE SURE TO HAVE YOUR SERIAL NUMBER
NEARBY WHEN ORDERING PARTS FOR YOUR
MOTION COMPOSITES WHEELCHAIR

Wheel Locks Catalogue
Wheel Lock - Scissor

ITEM NO.	PARTNO	DESCRIPTION	QTY.
1	9001585	Wheel Lock - Scissor, Right	1
2	9001586	Wheel Lock - Scissor, Left	1

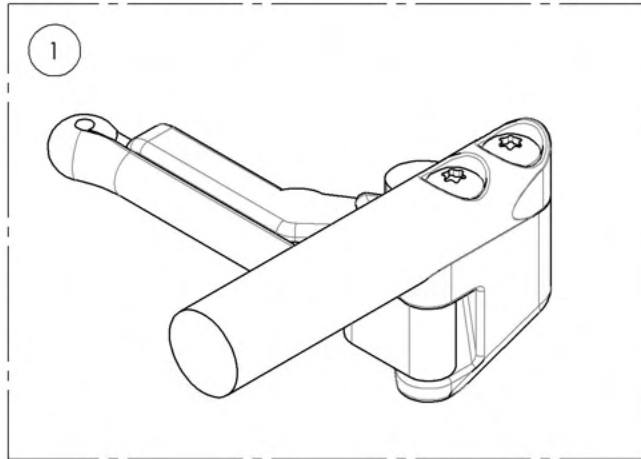


MAKE SURE TO HAVE YOUR SERIAL NUMBER
NEARBY WHEN ORDERING PARTS FOR YOUR
MOTION COMPOSITES WHEELCHAIR

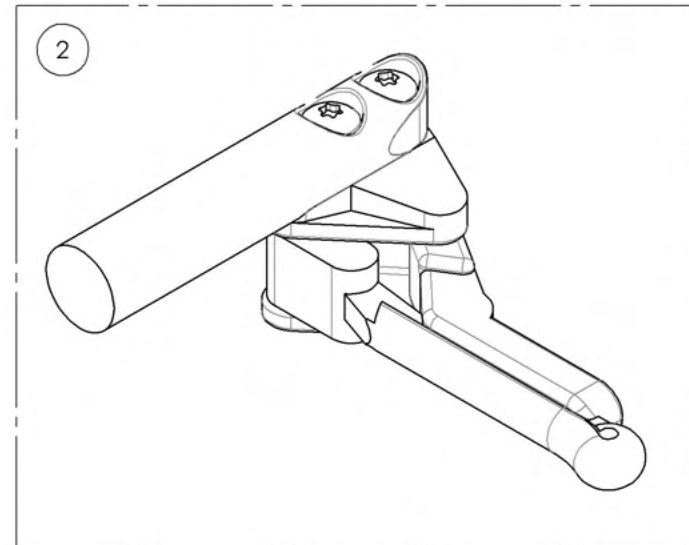
9001585_9001586
Wheel Lock - Scissor

ITEM NO.	PARTNO	DESCRIPTION	9001585 /QTY.	9001586 /QTY.
1	41039	OUT-FRONT SCISSOR WHEEL LOCK RIGHT	1	-
2	41038	OUT-FRONT SCISSOR WHEEL LOCK LEFT	-	1

9001585
Wheel Lock - Scissor, Right



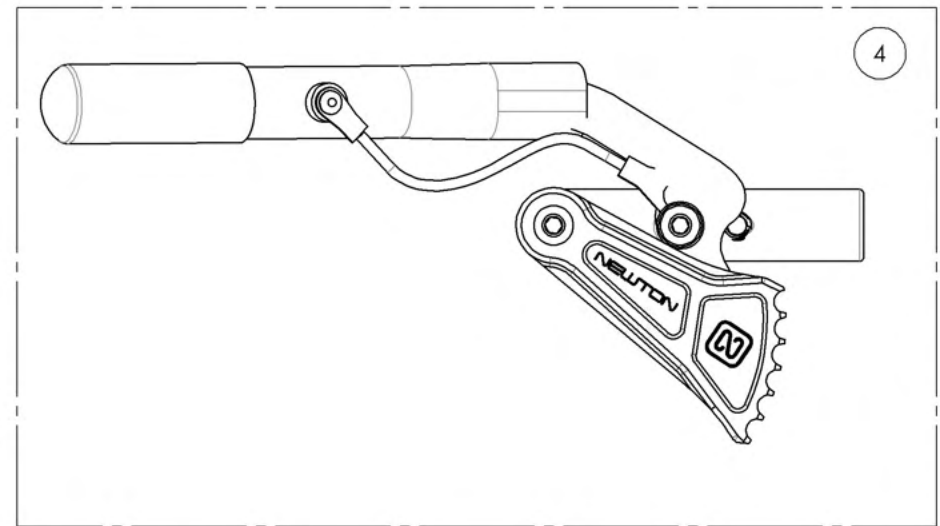
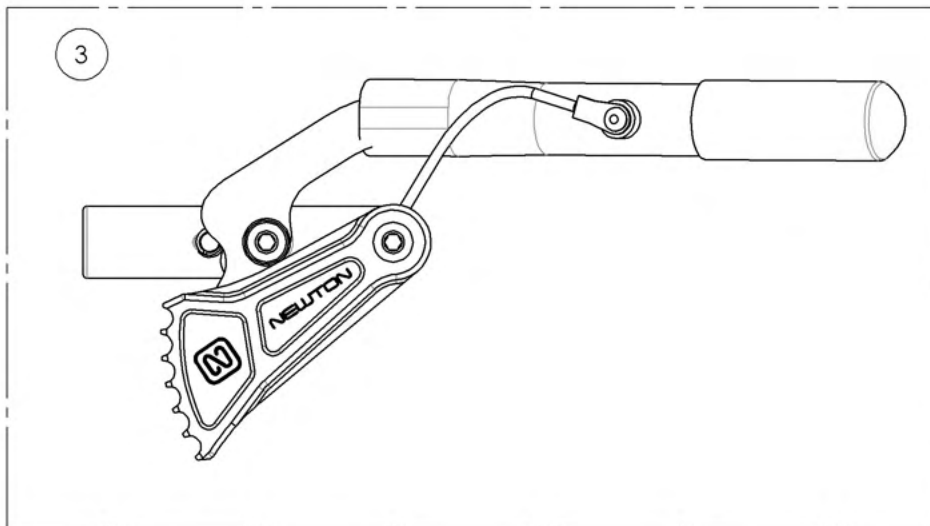
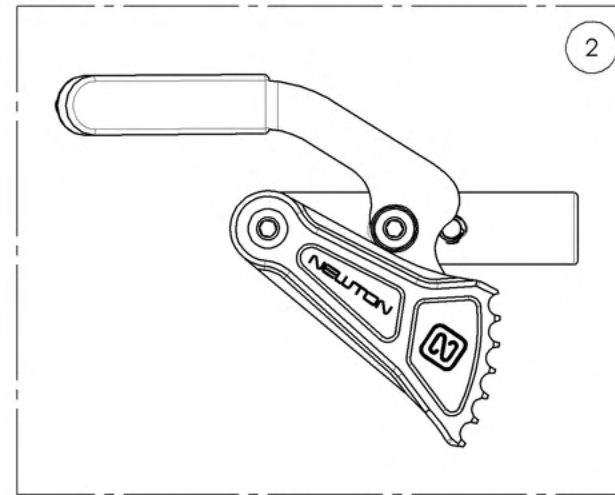
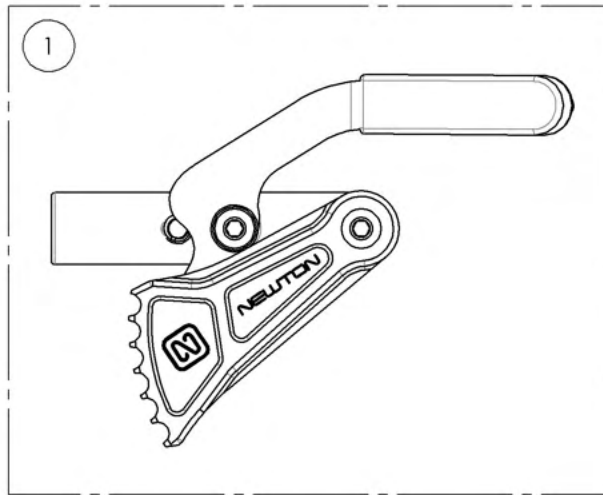
9001586
Wheel Lock - Scissor, Left



MAKE SURE TO HAVE YOUR SERIAL NUMBER
NEARBY WHEN ORDERING PARTS FOR YOUR
MOTION COMPOSITES WHEELCHAIR

Wheel Locks Catalogue
Wheel Lock - Grade Aid

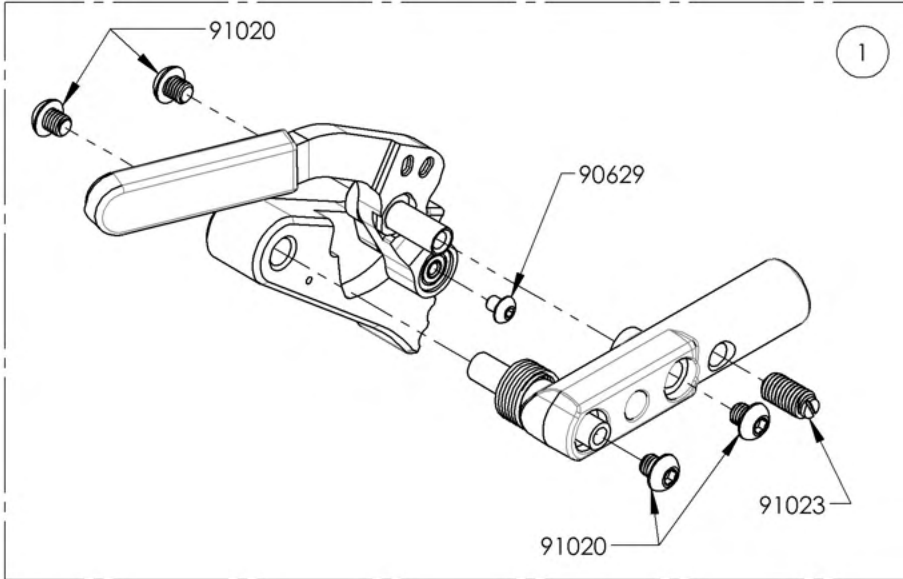
ITEM NO.	PARTNO	DESCRIPTION	QTY.
1	9001581	Wheel Lock - Newton Grade Aid, Push to lock, Right	1
2	9001582	Wheel Lock - Newton Grade Aid, Push to lock, Left	1
3	9001583	Wheel Lock - Newton Grade Aid, Push to lock, 6 in Removable Extension Handle, Right	1
4	9001584	Wheel Lock - Newton Grade Aid, Push to lock, 6 in Removable Extension Handle, Left	1



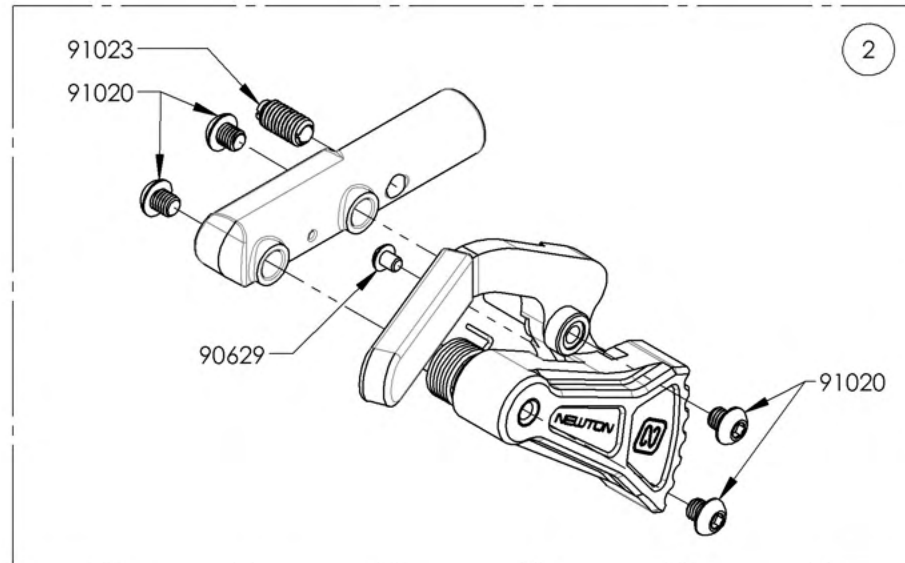
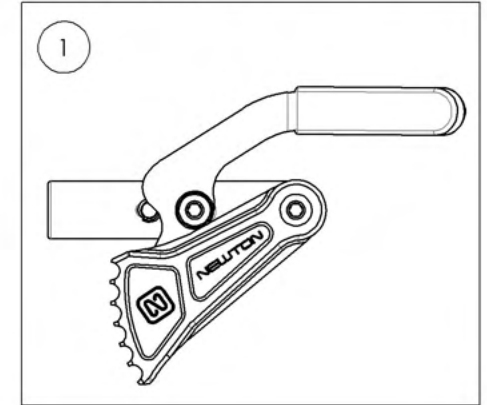
MAKE SURE TO HAVE YOUR SERIAL NUMBER
 NEARBY WHEN ORDERING PARTS FOR YOUR
 MOTION COMPOSITES WHEELCHAIR

9001581_9001582
Wheel Lock - Newton Grade Aid, Push to Lock

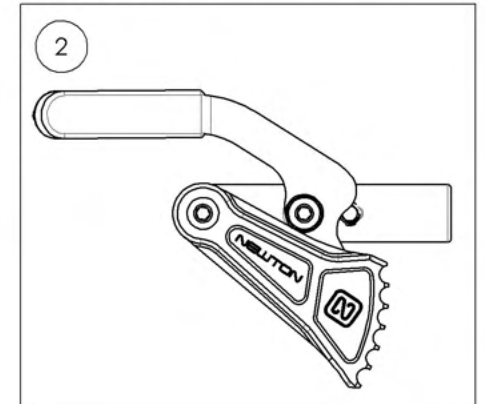
ITEM NO.	PARTNO	DESCRIPTION	9001581 /QTY.	9001582 /QTY.
1	41035	GRADE AID BRAKE RIGHT - ASSEMBLY	1	-
2	41036	GRADE AID BRAKE LEFT - ASSEMBLY	-	1



9001581
 Wheel Lock - Newton Grade Aid,
 Push to lock, Right



9001582
 Wheel Lock - Newton Grade Aid,
 Push to lock, Left

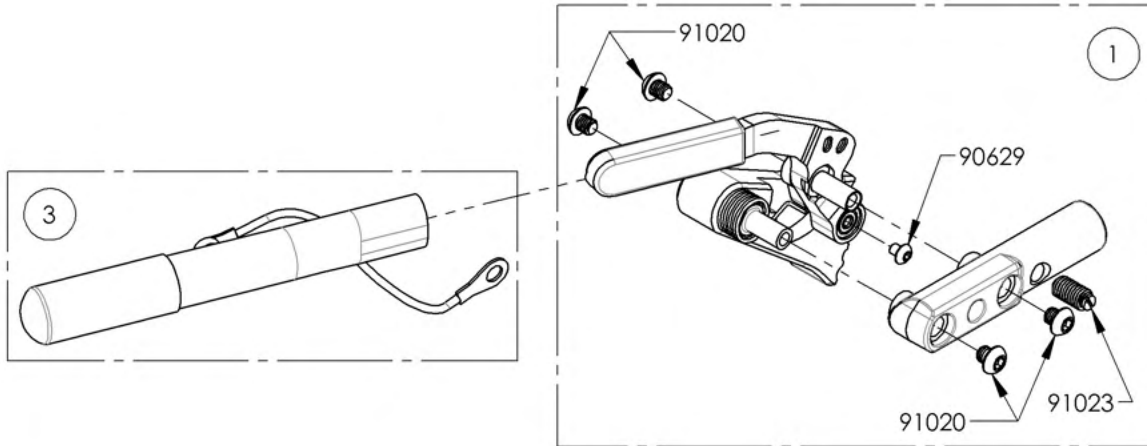


MAKE SURE TO HAVE YOUR SERIAL NUMBER
 NEARBY WHEN ORDERING PARTS FOR YOUR
 MOTION COMPOSITES WHEELCHAIR

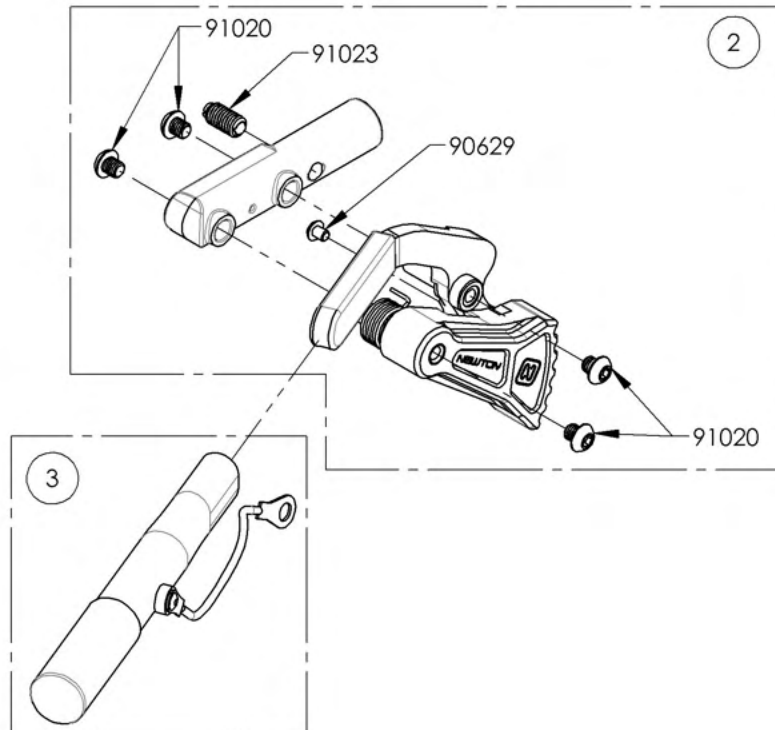
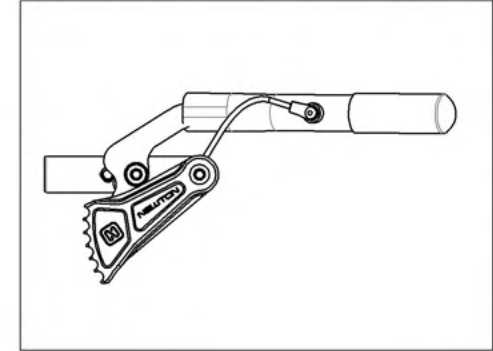
9001583_9001584

Wheel Lock - Newton Grade Aid, Push to Lock, 6 in Removable Extension Handle

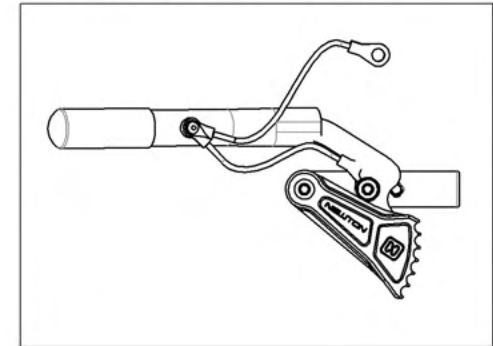
ITEM NO.	PARTNO	DESCRIPTION	9001583 /QTY.	9001584 /QTY.
1	41035	GRADE AID BRAKE RIGHT - ASSEMBLY	1	-
2	41036	GRADE AID BRAKE LEFT - ASSEMBLY	-	1
3	41005	REMOVABLE EXTENSION HANDLE	1	1



9001583
Wheel Lock - Newton Grade Aid, Push to lock, 6 in Removable Extension Handle, Right



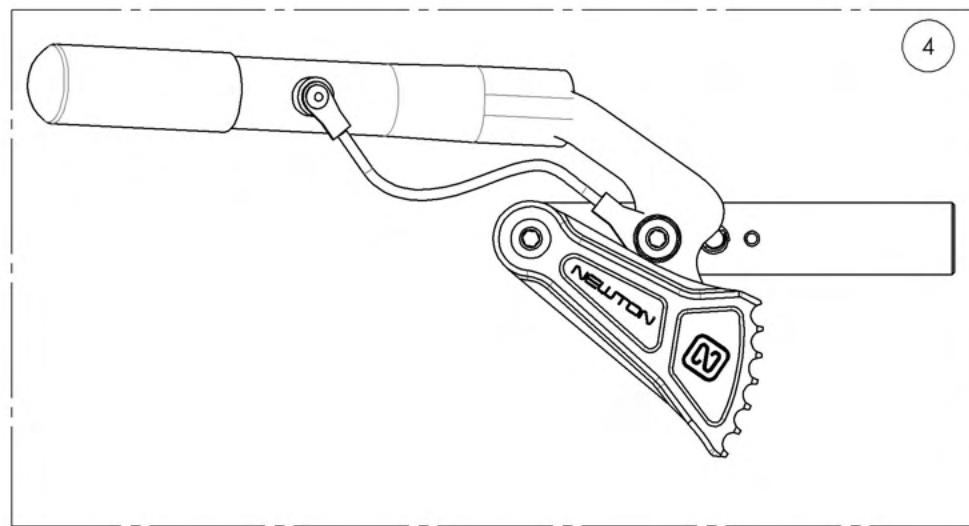
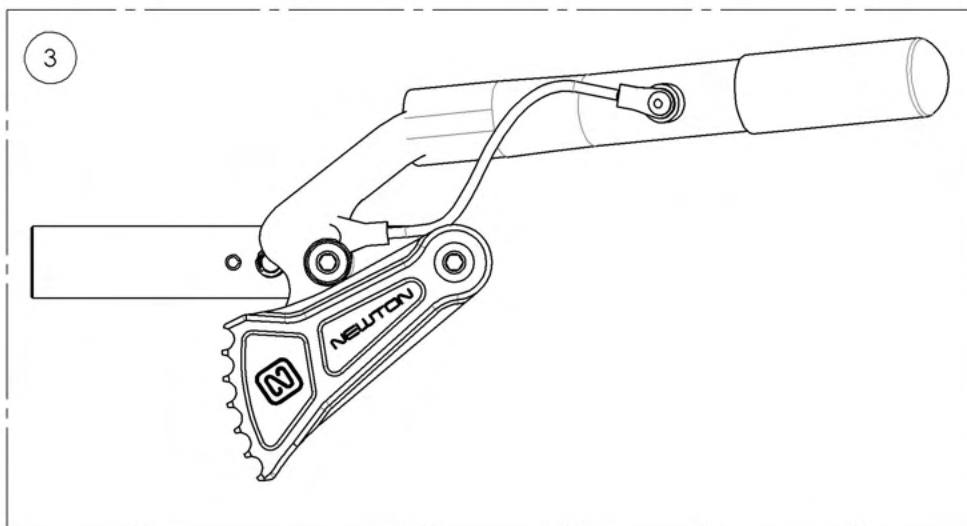
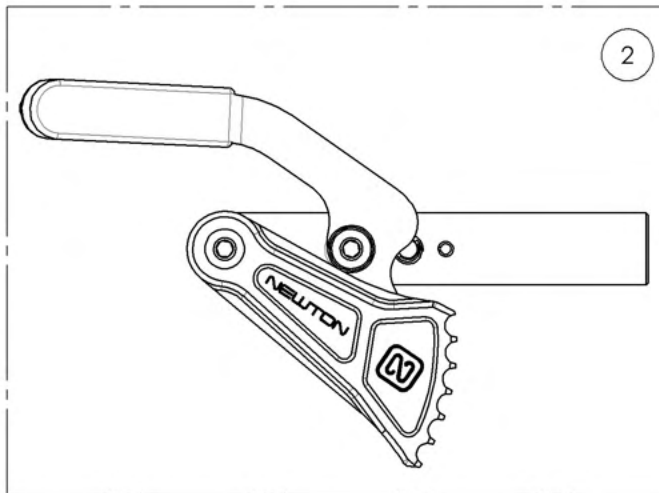
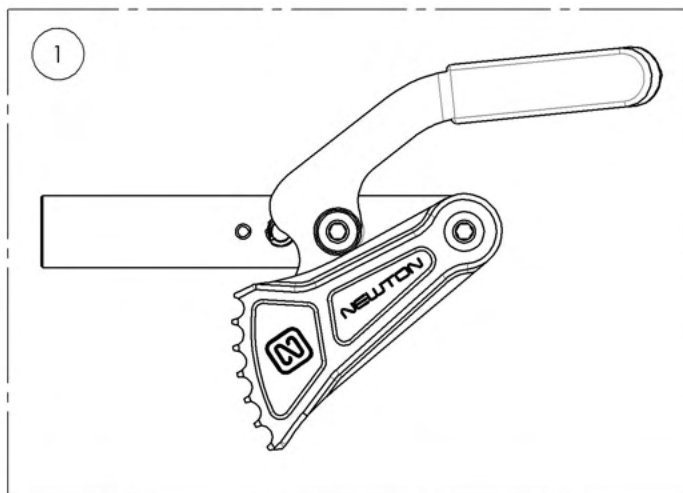
9001584
Wheel Lock - Newton Grade Aid, Push to lock, 6 in Removable Extension Handle, Left



MAKE SURE TO HAVE YOUR SERIAL NUMBER NEARBY WHEN ORDERING PARTS FOR YOUR MOTION COMPOSITES WHEELCHAIR

Wheel Locks Catalogue
Wheel Lock - Grade Aid With Extended Rail

ITEM NO.	PARTNO	DESCRIPTION	QTY.
1	9003029	Wheel Lock - Newton Grade Aid, Push to Lock, Extended Rail, Right	1
2	9003030	Wheel Lock - Newton Grade Aid, Push to Lock, Extended Rail, Left	1
3	9003031	Wheel Lock - Newton Grade Aid, Push to Lock, Extended Rail, 6 in Removable Extension Handle, Right	1
4	9003032	Wheel Lock - Newton Grade Aid, Push to Lock, Extended Rail, 6 in Removable Extension Handle, Left	1

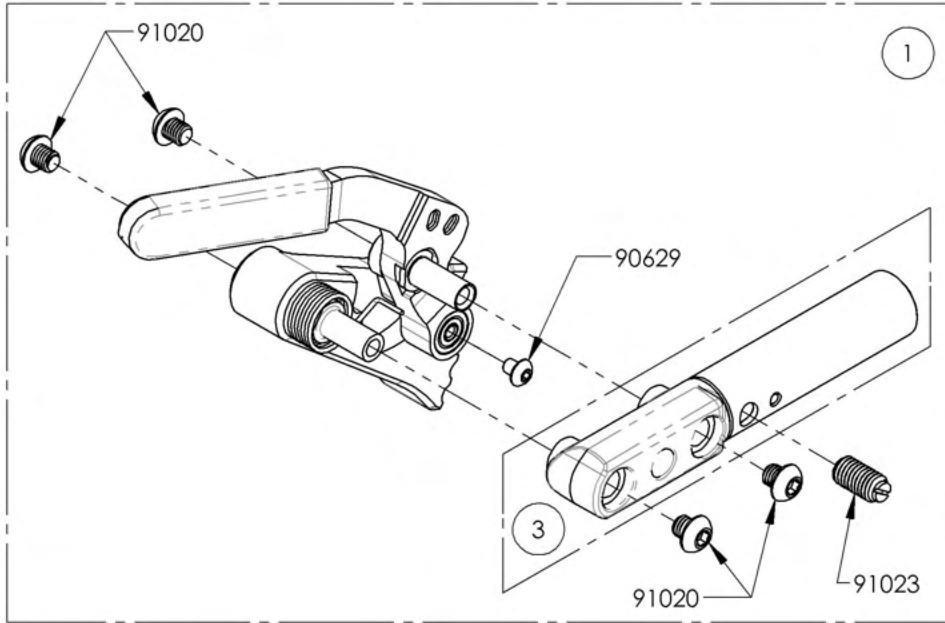


MAKE SURE TO HAVE YOUR SERIAL NUMBER
 NEARBY WHEN ORDERING PARTS FOR YOUR
 MOTION COMPOSITES WHEELCHAIR

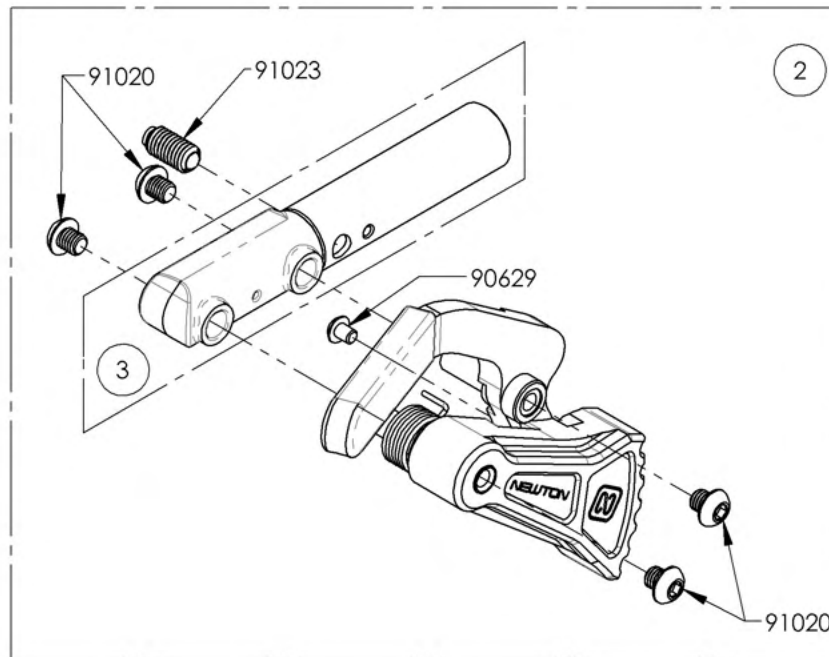
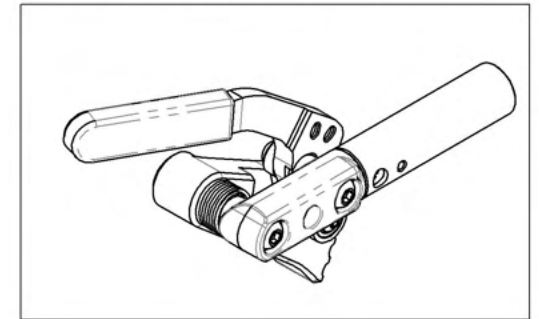
9003029_9003030

Wheel Lock - Newton Grade Aid, Push to Lock, Extended Rail

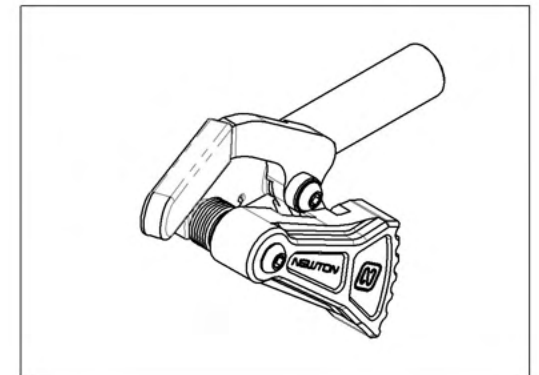
ITEM NO.	PART NO.	DESCRIPTION	9003029 /QTY.	9003030 /QTY.	REPLACEMENT PARTS/QTY.
1	41514	NEWTON GRADE AID WHEEL LOCK WITH EXTENDED RAIL, RIGHT - ASSEMBLY	1	-	-
2	41515	NEWTON GRADE AID WHEEL LOCK WITH EXTENDED RAIL, LEFT - ASSEMBLY	-	1	-
3	41075	EXTENDED WHEEL LOCK RAIL_GRADE AID	-	-	1



9003029
Wheel Lock - Newton Grade Aid,
Push to Lock, Extended Rail, Right



9003030
Wheel Lock - Newton Grade Aid,
Push to Lock, Extended Rail, Left

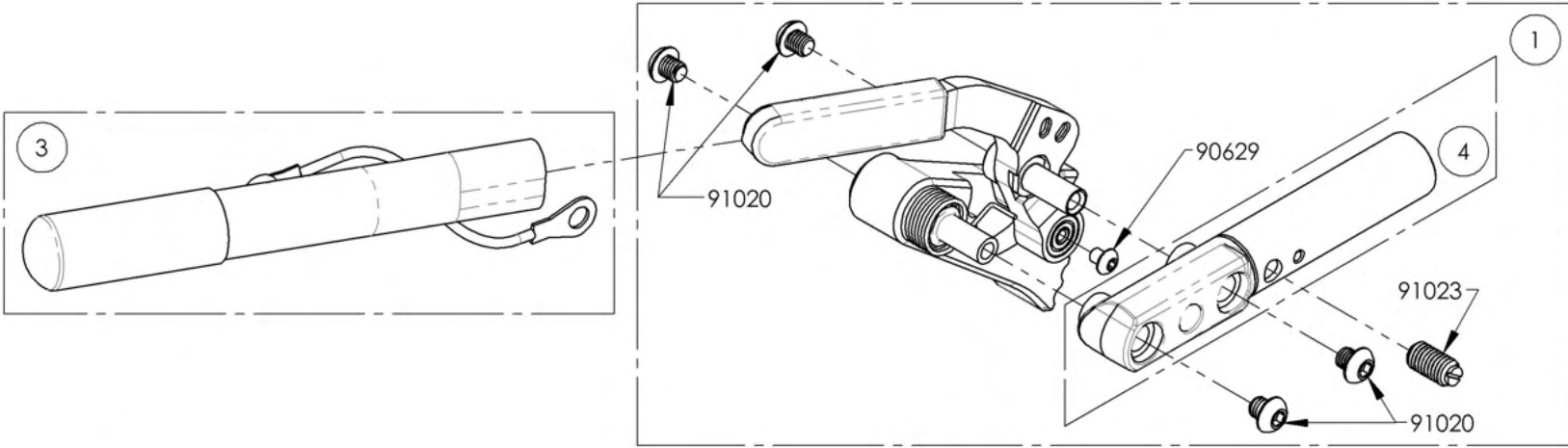


MAKE SURE TO HAVE YOUR SERIAL NUMBER
NEARBY WHEN ORDERING PARTS FOR YOUR
MOTION COMPOSITES WHEELCHAIR

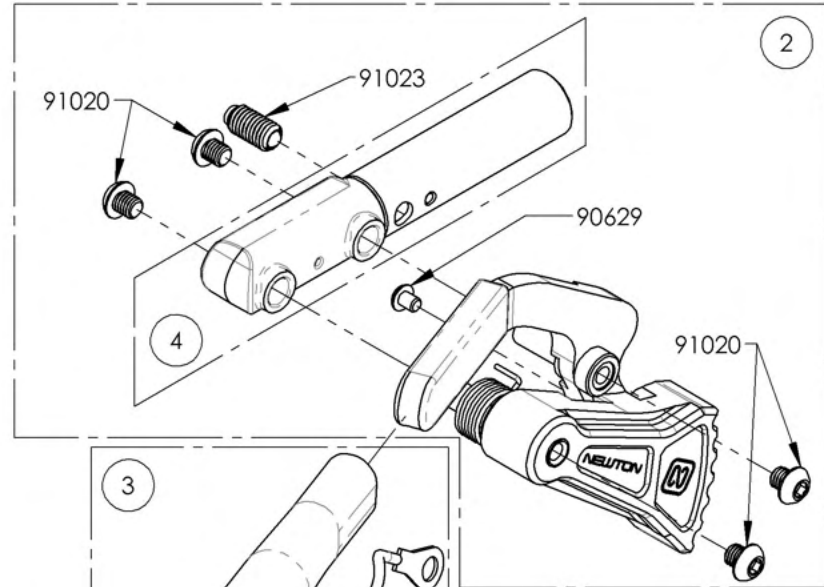
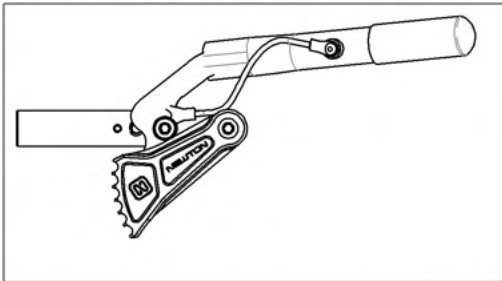
9003031_9003032

Wheel Lock - Newton Grade Aid, Push to Lock, Extended Rail, 6 in Removable Extension Handle, Right

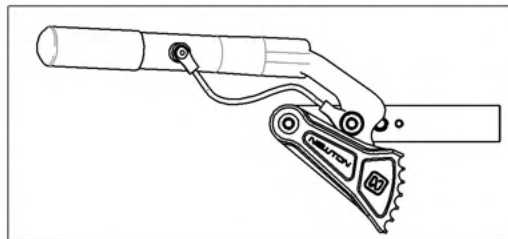
ITEM NO.	PARTNO	DESCRIPTION	9003031 /QTY.	9003032 /QTY.	REPLACEMENT PARTS/QTY.
1	41514	NEWTON GRADE AID WHEEL LOCK WITH EXTENDED RAIL, RIGHT - ASSEMBLY	1	-	-
2	41515	NEWTON GRADE AID WHEEL LOCK WITH EXTENDED RAIL, LEFT - ASSEMBLY	-	1	-
3	41005	REMOVABLE EXTENSION HANDLE	1	1	-
4	41075	EXTENDED WHEEL LOCK RAIL_GRADE AID	-	-	1



9003031
Wheel Lock - Newton Grade Aid,
Push to Lock, Extended Rail, 6 in
Removable Extension Handle, Right



9003032
Wheel Lock - Newton Grade Aid,
Push to Lock, Extended Rail, 6 in
Removable Extension Handle, Left

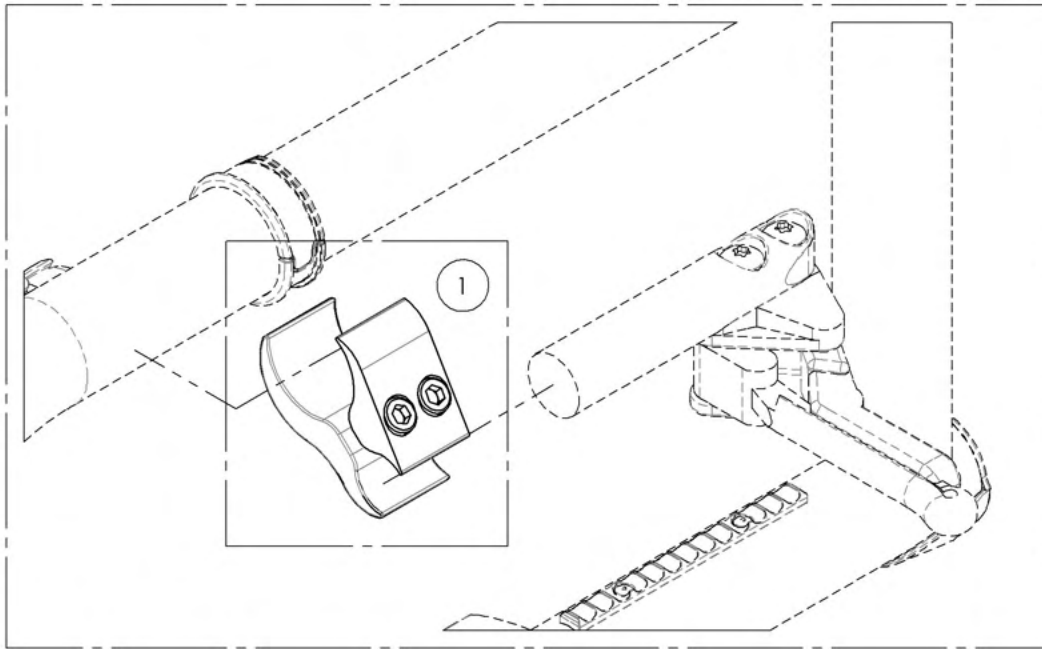


MAKE SURE TO HAVE YOUR SERIAL NUMBER
NEARBY WHEN ORDERING PARTS FOR YOUR
MOTION COMPOSITES WHEELCHAIR

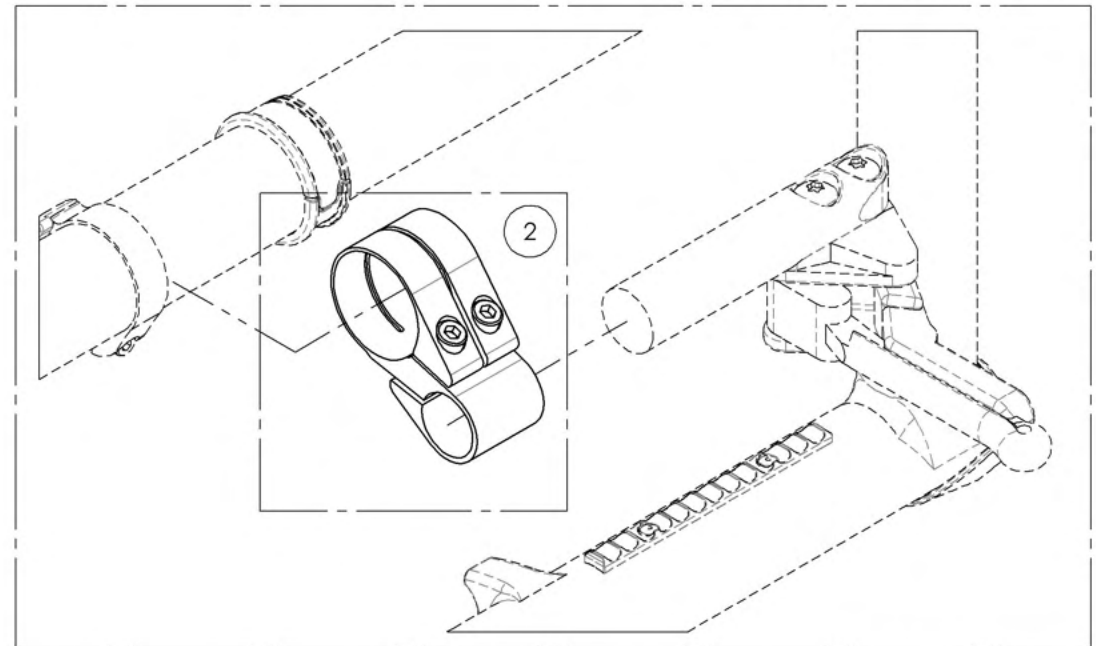
Wheel Locks Catalogue
Wheel Lock - Clamps

ITEM NO.	PARTNO	DESCRIPTION	QTY.
1	9001211	Wheel lock - Two Part Clamp	1
2	9001212	Wheel lock - Ultralight One Part Clamp	1

FOR ALUMINUM FRAME



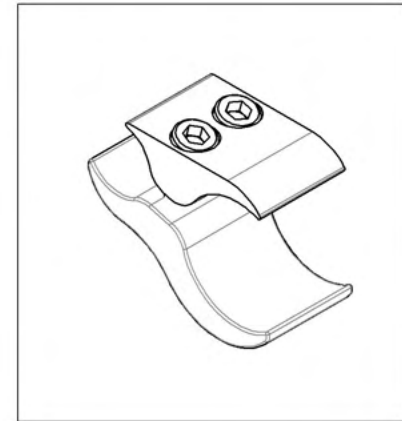
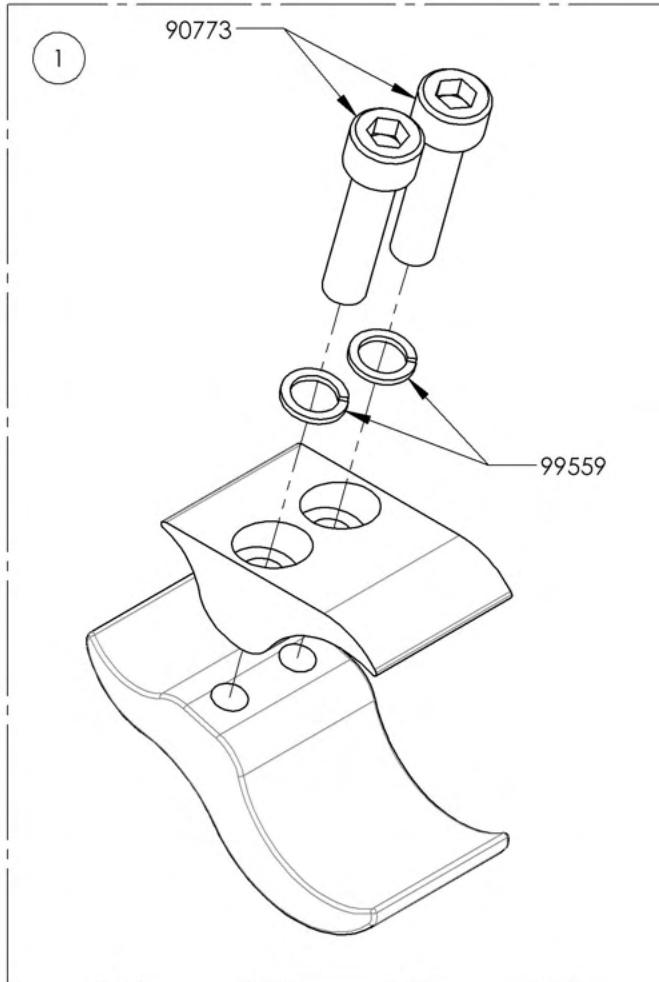
FOR CARBON FRAME



MAKE SURE TO HAVE YOUR SERIAL NUMBER
NEARBY WHEN ORDERING PARTS FOR YOUR
MOTION COMPOSITES WHEELCHAIR

9001211
Wheel lock - Two Part Clamp

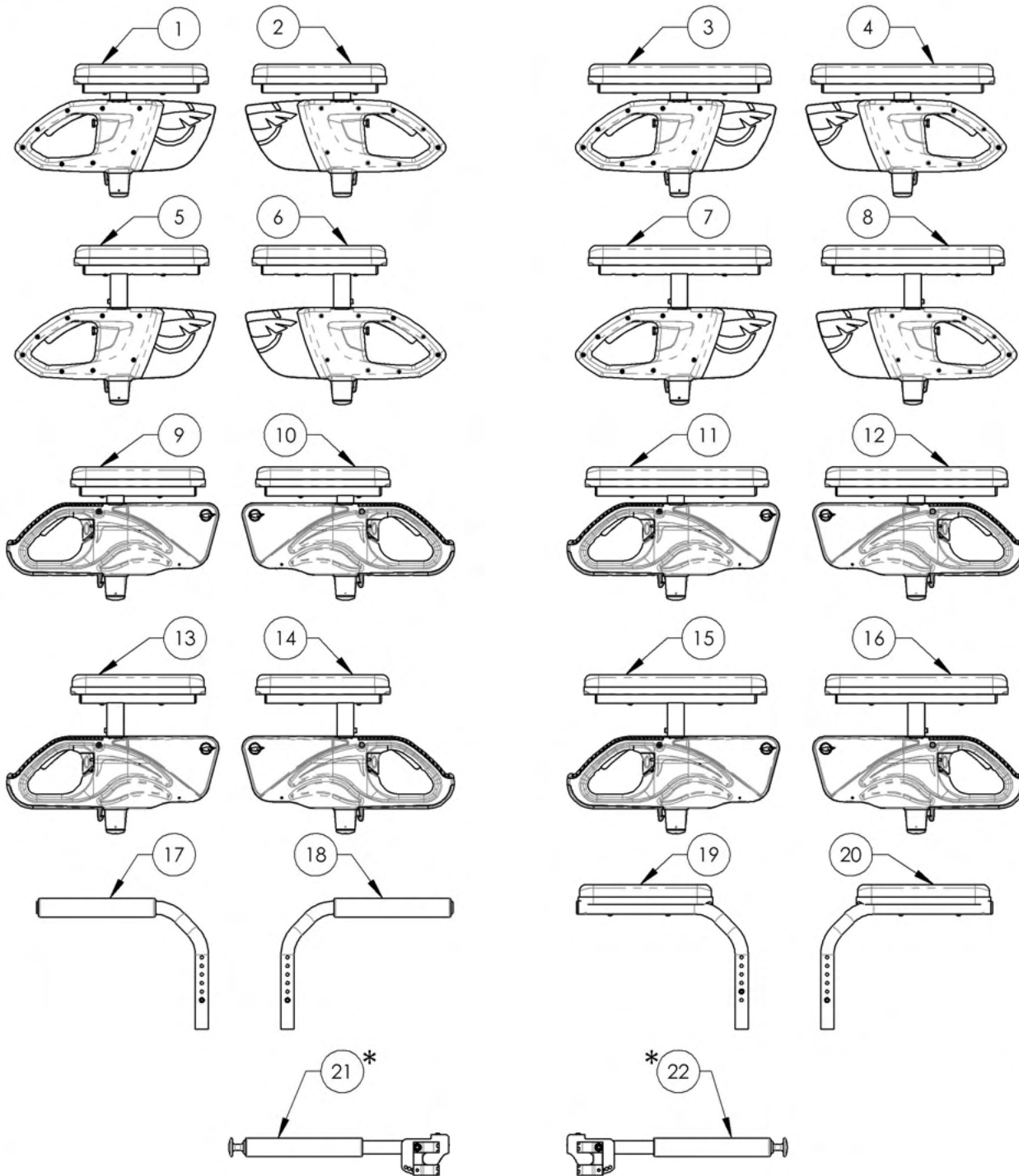
ITEM NO.	PARTNO	DESCRIPTION	9001211 /QTY.
1	41501	BRAKE CLAMP	1



MAKE SURE TO HAVE YOUR SERIAL NUMBER
NEARBY WHEN ORDERING PARTS FOR YOUR
MOTION COMPOSITES WHEELCHAIR

Armrest Catalogue

Armrests

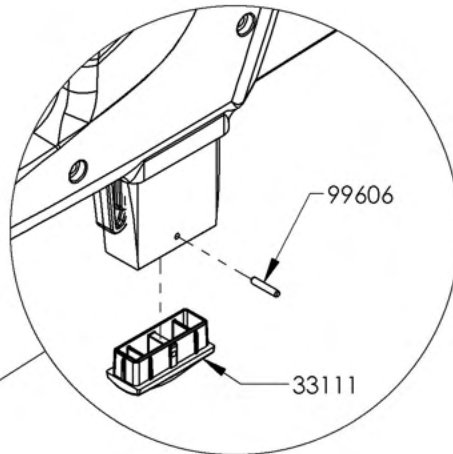
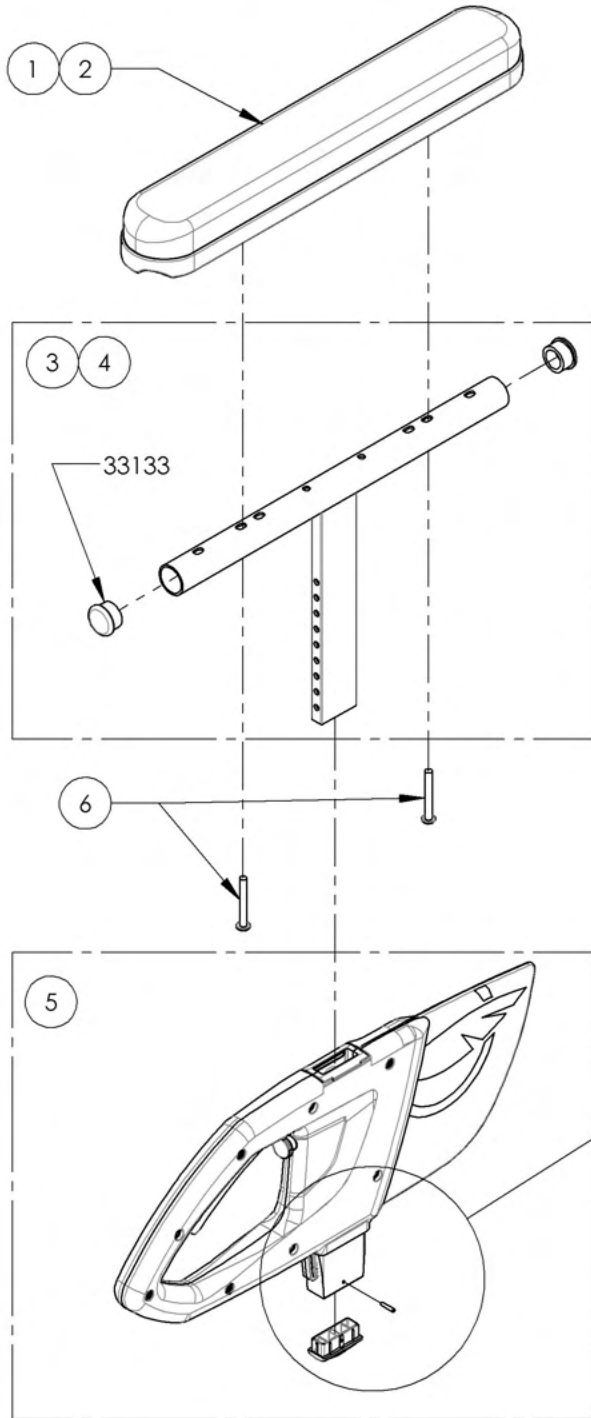


ITEM NO.	PARTNO	DESCRIPTION	QTY
1	9003551	Armrest - Flip Back & T Type Right, 8-12 in, Desk Length	1
2	9003555	Armrest - T Type, Left, 8-12 in, Desk Length	1
3	9003552	Armrest - Flip Back & T Type Right, 8-12 in, Full Length	1
4	9003556	Armrest - T Type, Left, 8-12 in, Full Length	1
5	9003553	Armrest - T Type, Right, 10-14 in, Desk Length	1
6	9003557	Armrest - T Type, Left, 10-14 in, Desk Length	1
7	9003554	Armrest - T Type, Right, 10-14 in, Full Length	1
8	9003558	Armrest - T Type, Left, 10-14 in, Full Length	1
9	9001299	Armrest - Flip Back & T Type Right, 8-12 in, Desk Length	1
10	9001303	Armrest - Flip Back & T Type Left, 8-12 in, Desk Length	1
11	9001300	Armrest - Flip Back & T Type Right, 8-12 in, Full Length	1
12	9001304	Armrest - Flip Back & T Type Left, 8-12 in, Full Length	1
13	9001301	Armrest - Flip Back & T Type Right, 10-14 in, Desk Length	1
14	9001305	Armrest - Flip Back & T Type Left, 10-14 in, Desk Length	1
15	9001302	Armrest - Flip Back & T Type Right, 10-14 in, Full Length	1
16	9001306	Armrest - Flip Back & T Type Left, 10-14 in, Full Length	1
17	9003652	Armrest - Swing Away, Right, Tubular, Fold Down Locking Backrest	1
18	9003653	Armrest - Swing Away, Left, Tubular, Fold Down Locking Backrest	1
19	9003654	Armrest - Swing Away, Right, Desk Length, Fold Down Locking Backrest	1
20	9003655	Armrest - Swing Away, Left, Desk Length, Fold Down Locking Backrest	1
21*	9001316	Locking Armrest - Flip Up, Right	1
22*	9001317	Locking Armrest - Flip Up, Left	1

*: ONLY USE WITH ALUMINIUM BACK CANES (175lbs MAX)

MAKE SURE TO HAVE YOUR SERIAL NUMBER NEARBY WHEN ORDERING PARTS FOR YOUR MOTION COMPOSITES WHEELCHAIR

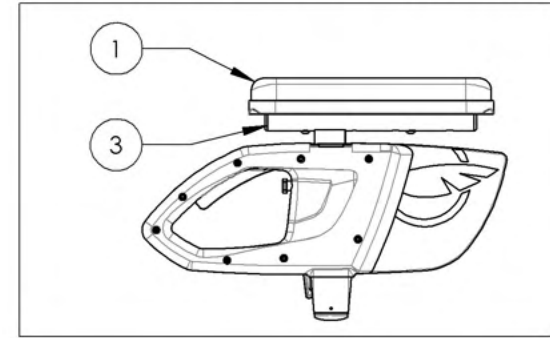
9003551_9003552
Armrest - T Type, Right, 8-12 in



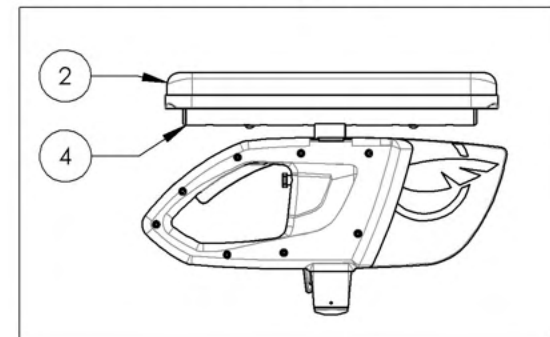
DETAIL B
 SCALE 2 : 5

ITEM NO.	PARTNO	DESCRIPTION	9003551 /QTY.	9003552 /QTY.
1	33038	ARMREST DESK PAD	1	-
2	33039	ARMREST FULL LENGTH PAD	-	1
3	33579	V2 ARMREST STRUCTURE 8-12" FOR DESK LENGTH - ASSEMBLY	1	-
4	33559	V2 ARMREST STRUCTURE 8-12" FOR FULL LENGTH - ASSEMBLY	-	1
5	33596	V2T ARMREST - ASSEMBLY	1	1
6	99013	SCREW PHILLIPS PAN HD #10_32 X 1_1_2 + BLUE THREADLOCKER	2	2

9003551
 Armrest - Flip Back & T Type Right, 8-12 in, Desk Length

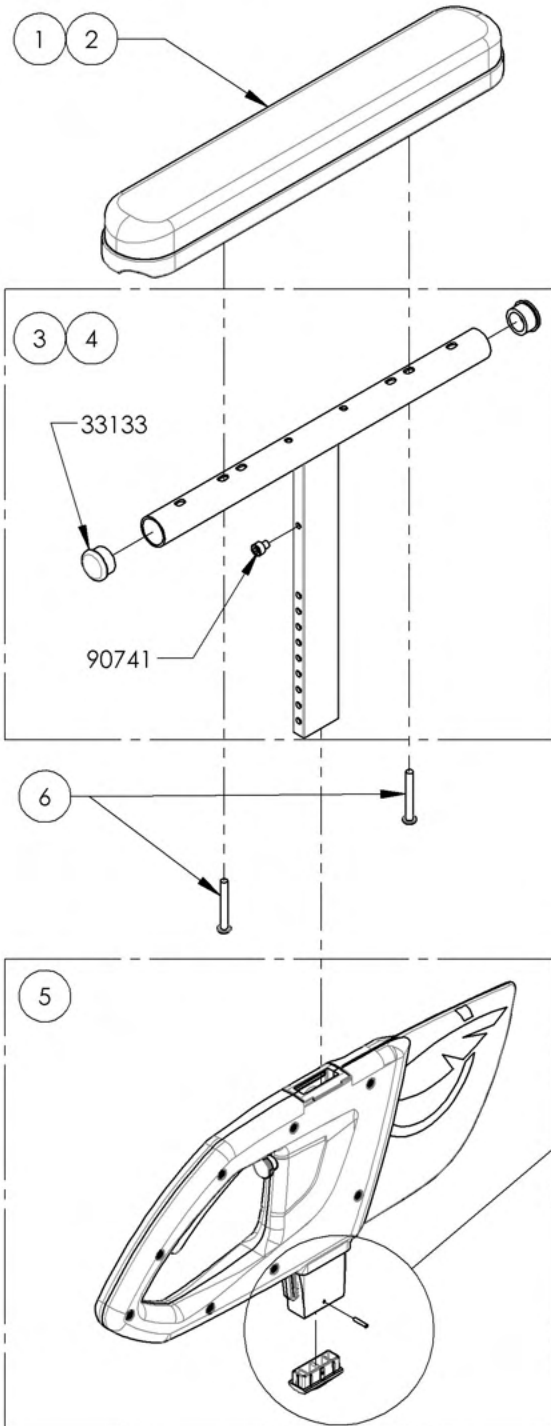


9003552
 Armrest - Flip Back & T Type Right, 8-12 in, Full Length



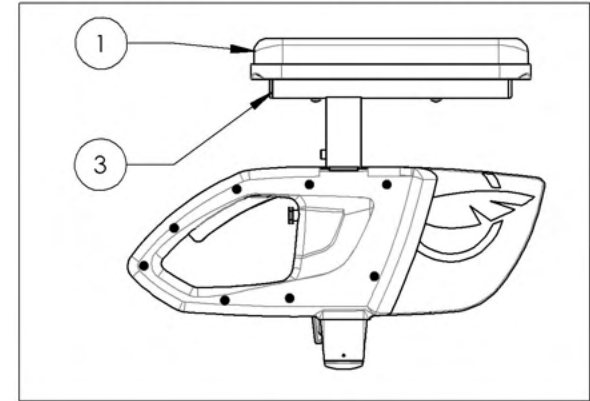
MAKE SURE TO HAVE YOUR SERIAL NUMBER
 NEARBY WHEN ORDERING PARTS FOR YOUR
 MOTION COMPOSITES WHEELCHAIR

9003553_9003554
Armrest - T Type, Right, 10-14 in

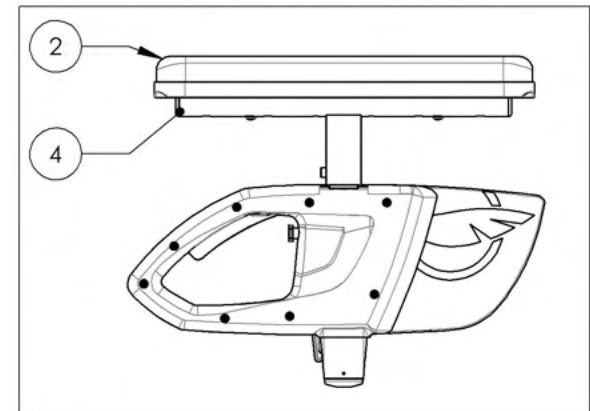


ITEM NO.	PART NO.	DESCRIPTION	9003553 /QTY.	9003554 /QTY.
1	33038	ARMREST DESK PAD	1	-
2	33039	ARMREST FULL LENGTH PAD	-	1
3	33580	V2 ARMREST STRUCTURE 10-14" FOR DESK LENGTH - ASSEMBLY	1	-
4	33560	V2 ARMREST STRUCTURE 10-14" FOR FULL LENGTH - ASSEMBLY	-	1
5	33596	V2T ARMREST - ASSEMBLY	1	1
6	99013	SCREW PHILLIPS PAN HD #10_32 X 1_1_2 + BLUE THREADLOCKER	2	2

9003553
 Armrest - T Type, Right, 10-14 in, Desk Length

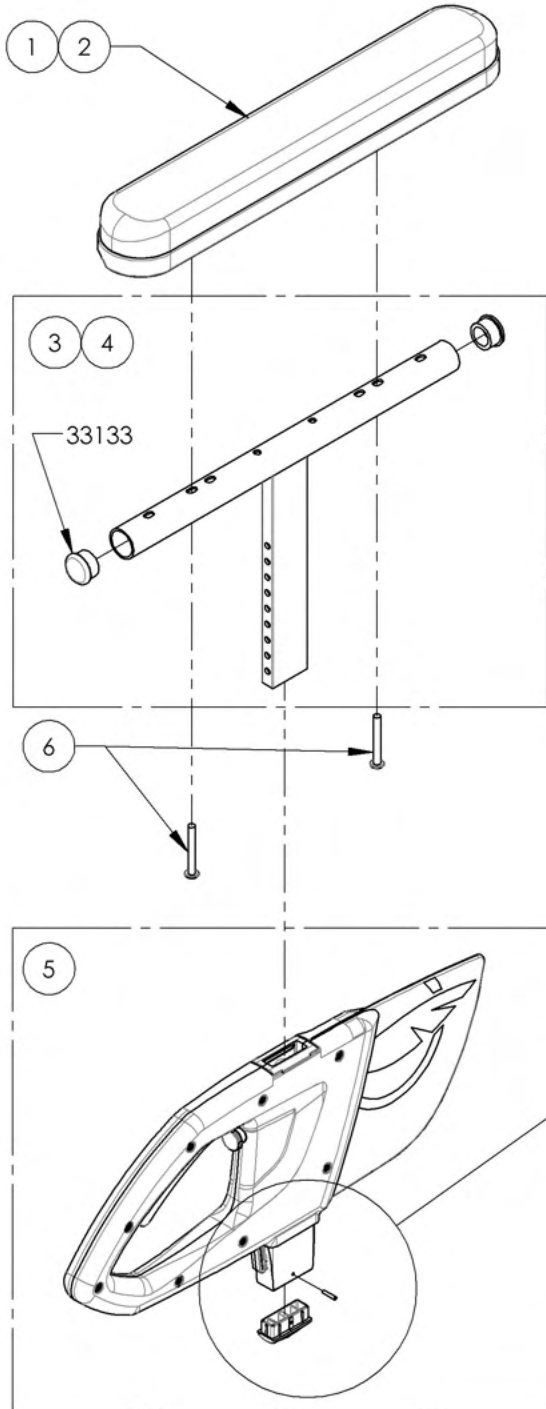


9003554
 Armrest - T Type, Right, 10-14 in, Full Length



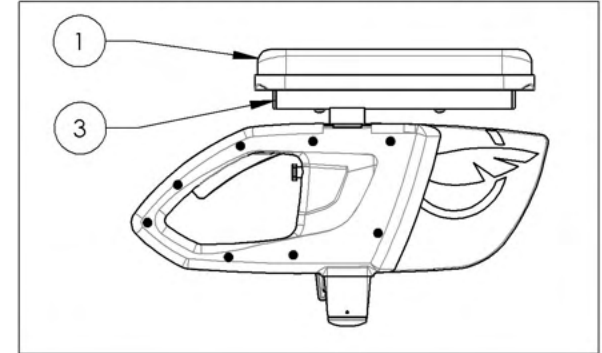
MAKE SURE TO HAVE YOUR SERIAL NUMBER
 NEARBY WHEN ORDERING PARTS FOR YOUR
 MOTION COMPOSITES WHEELCHAIR

9003555_9003556
Armrest - T Type, Left, 8-12 in

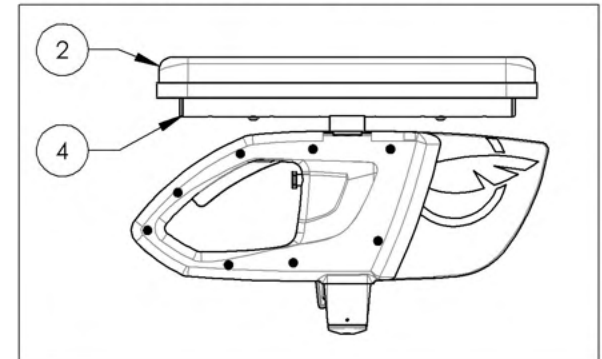


ITEM NO.	PARTNO	DESCRIPTION	9003555 /QTY.	9003556 /QTY.
1	33038	ARMREST DESK PAD	1	-
2	33039	ARMREST FULL LENGTH PAD	-	1
3	33579	V2 ARMREST STRUCTURE 8-12" FOR DESK LENGTH - ASSEMBLY	1	-
4	33559	V2 ARMREST STRUCTURE 8-12" FOR FULL LENGTH - ASSEMBLY	-	1
5	33596	V2T ARMREST - ASSEMBLY	1	1
6	99013	SCREW PHILLIPS PAN HD #10_32 X 1_1_2 + BLUE THREADLOCKER	2	2

9003555
 Armrest - T Type, Left, 8-12 in, Desk Length

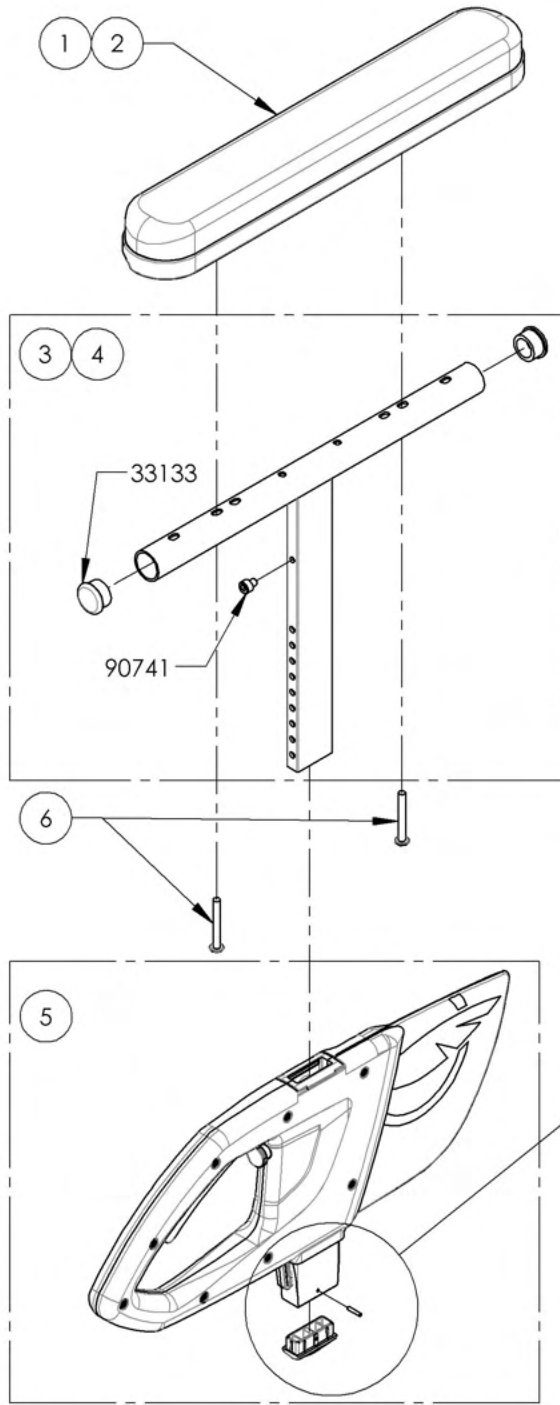


9003556
 Armrest - T Type, Left, 8-12 in, Full Length



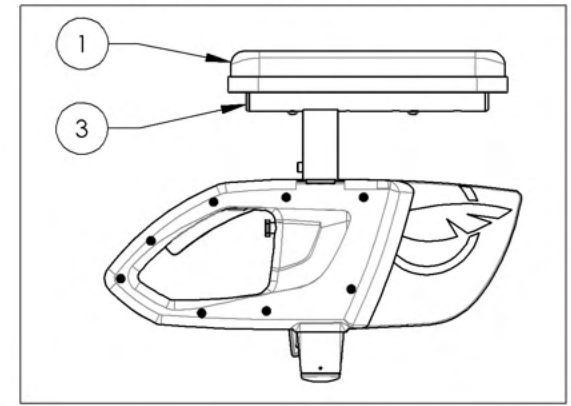
MAKE SURE TO HAVE YOUR SERIAL NUMBER
 NEARBY WHEN ORDERING PARTS FOR YOUR
 MOTION COMPOSITES WHEELCHAIR

9003557_9003558
Armrest - T Type, Left, 10-14 in

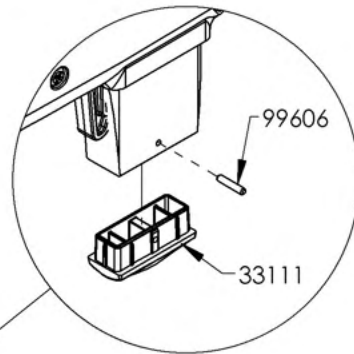
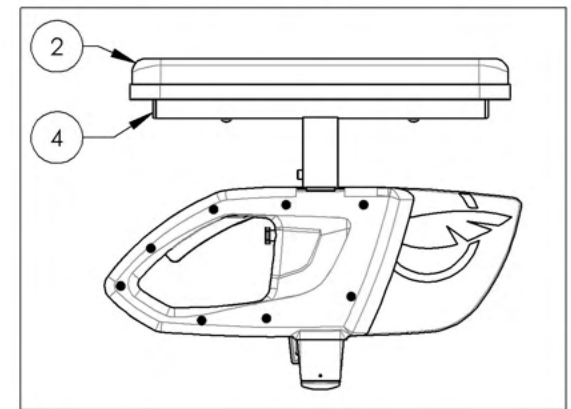


ITEM NO.	PART NO.	DESCRIPTION	9003557 /QTY.	9003558 /QTY.
1	33038	ARMREST DESK PAD	1	-
2	33039	ARMREST FULL LENGTH PAD	-	1
3	33580	V2 ARMREST STRUCTURE 10-14" FOR DESK LENGTH - ASSEMBLY	1	-
4	33560	V2 ARMREST STRUCTURE 10-14" FOR FULL LENGTH - ASSEMBLY	-	1
5	33596	V2T ARMREST - ASSEMBLY	1	1
6	99013	SCREW PHILLIPS PAN HD #10_32 X 1_1_2 + BLUE THREADLOCKER	2	2

9003557
 Armrest - T Type, Left, 10-14 in, Desk Length



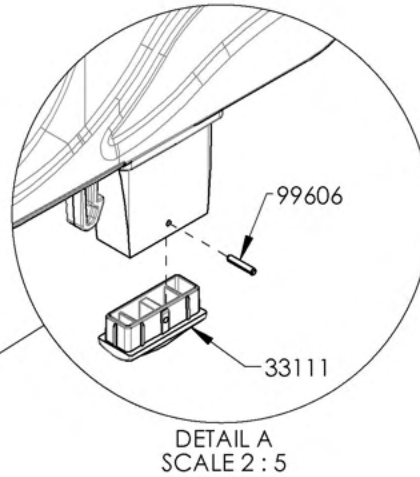
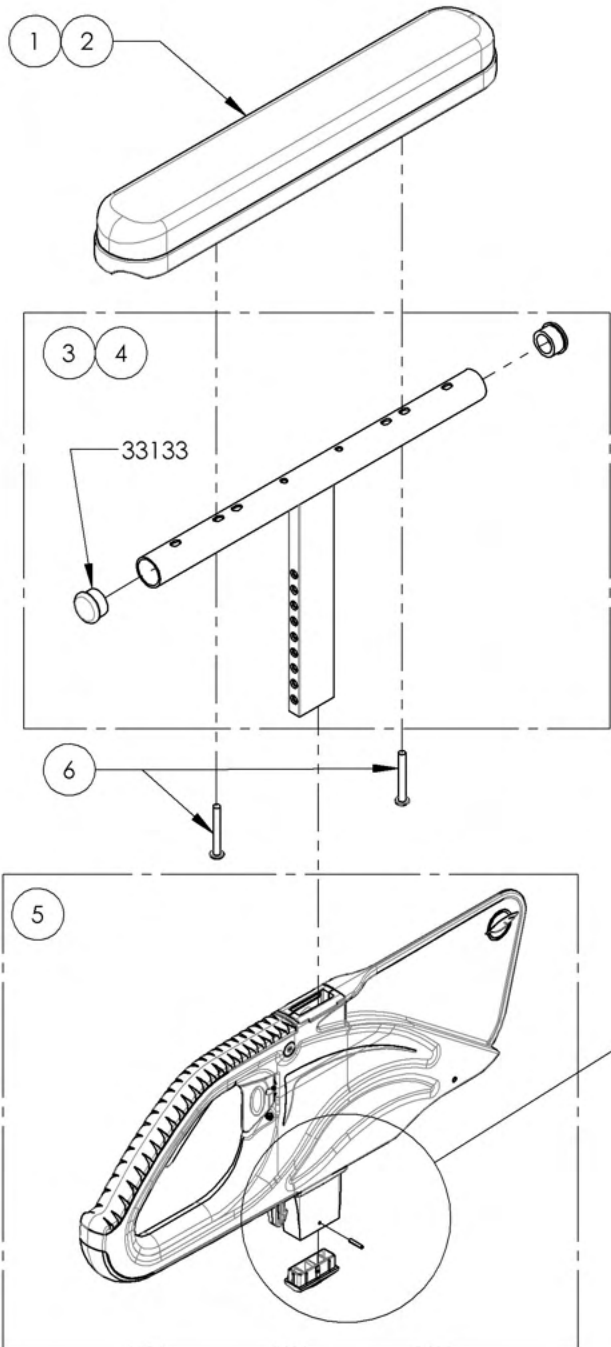
9003558
 Armrest - T Type, Left, 10-14 in, Full Length



DETAIL A
 SCALE 2 : 5

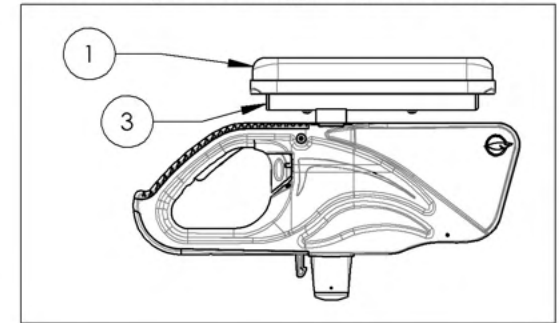
MAKE SURE TO HAVE YOUR SERIAL NUMBER NEARBY WHEN ORDERING PARTS FOR YOUR MOTION COMPOSITES WHEELCHAIR

9001299_9001300
Armrest - Flip Back & T Type Right, 8-12 in

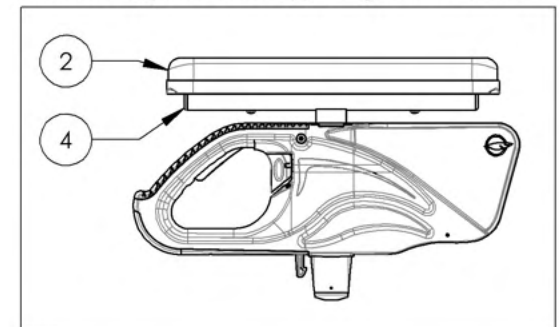


ITEM NO.	PARTNO	DESCRIPTION	9001299 /QTY.	9001300 /QTY.
1	33038	ARMREST DESK PAD	1	-
2	33039	ARMREST FULL LENGTH PAD	-	1
3	33579	V2 ARMREST STRUCTURE 8-12" FOR DESK LENGTH - ASSEMBLY	1	-
4	33559	V2 ARMREST STRUCTURE 8-12" FOR FULL LENGTH - ASSEMBLY	-	1
5	33554	V2 ARMREST - MAIN BODY	1	1
6	99013	SCREW PHILLIPS PAN HD #10_32 X 1_1_2 + BLUETHREADLOCKER	2	2

9001299
 Armrest - Flip Back & T Type Right, 8-12 in, Desk Length

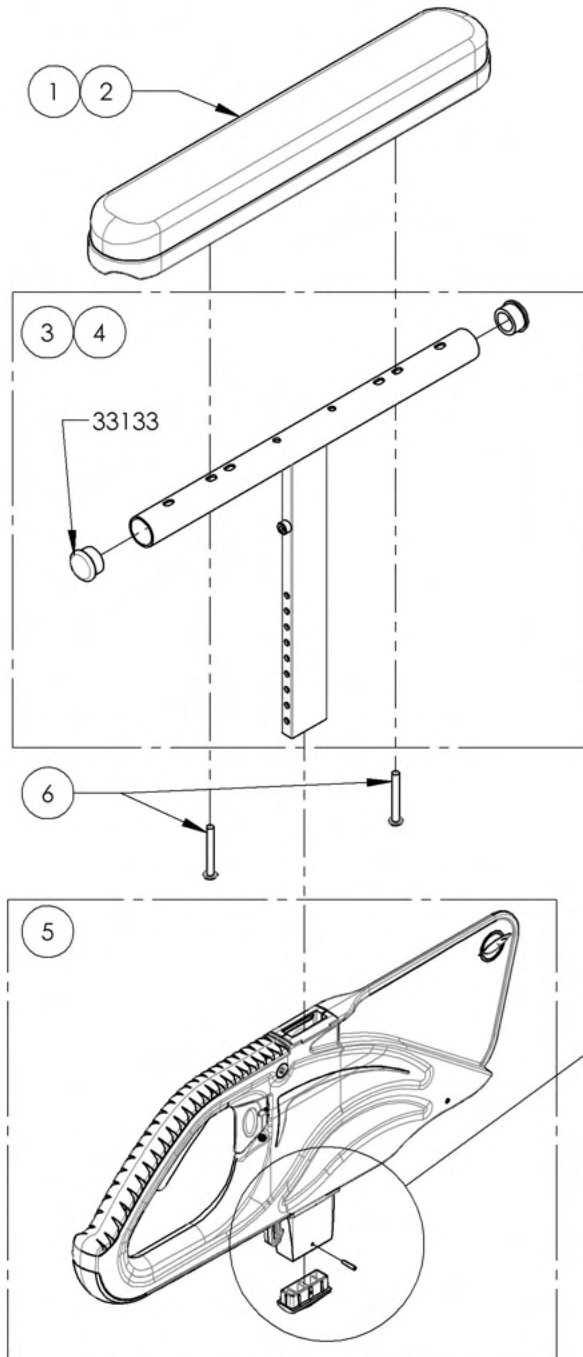


9001300
 Armrest - Flip Back & T Type Right, 8-12 in, Full Length



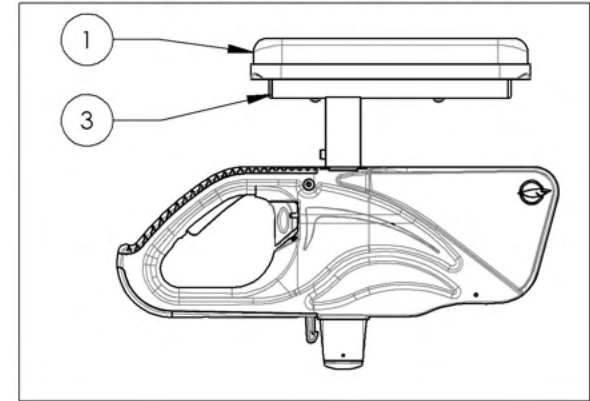
MAKE SURE TO HAVE YOUR SERIAL NUMBER
 NEARBY WHEN ORDERING PARTS FOR YOUR
 MOTION COMPOSITES WHEELCHAIR

9001301_9001302
Armrest - Flip Back & T Type Right, 10-14 in

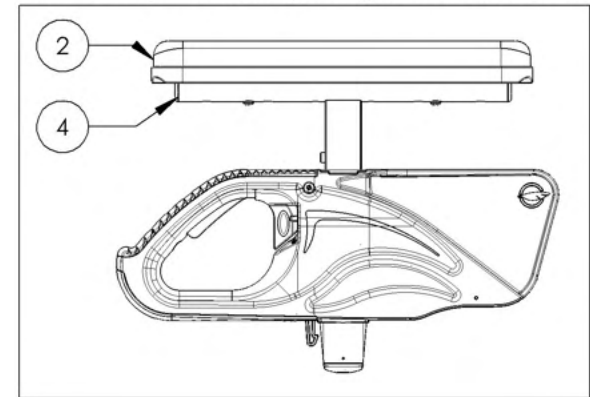


ITEM NO.	PART NO.	DESCRIPTION	9001301 /QTY.	9001302 /QTY.
1	33038	ARMREST DESK PAD	1	-
2	33039	ARMREST FULL LENGTH PAD	-	1
3	33580	V2 ARMREST STRUCTURE 10-14" FOR DESK LENGTH - ASSEMBLY	1	-
4	33560	V2 ARMREST STRUCTURE 10-14" FOR FULL LENGTH - ASSEMBLY	-	1
5	33554	V2 ARMREST - MAIN BODY	1	1
6	99013	SCREW PHILLIPS PAN HD #10_32 X 1_1_2 + BLUETHREADLOCKER	2	2

9001301
Armrest - Flip Back & T Type Right, 10-14 in, Desk Length

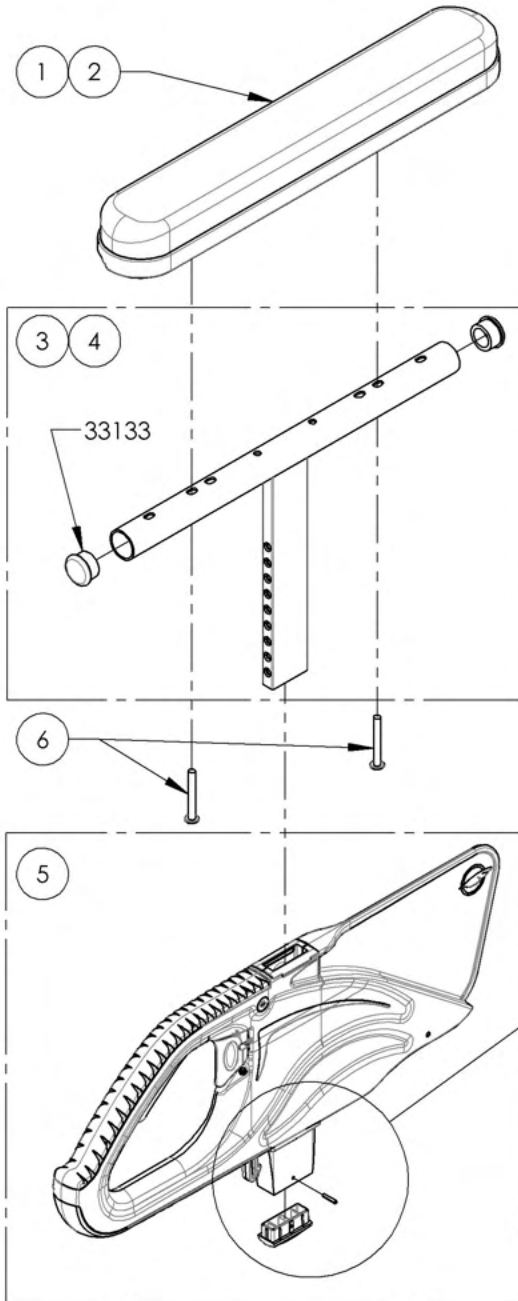


9001302
Armrest - Flip Back & T Type Right, 10-14 in, Full Length



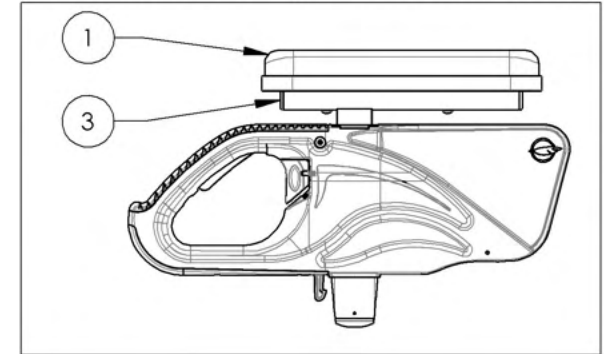
MAKE SURE TO HAVE YOUR SERIAL NUMBER
 NEARBY WHEN ORDERING PARTS FOR YOUR
 MOTION COMPOSITES WHEELCHAIR

9001303_9001304
Armrest - Flip Back & T Type Left, 8-12 in

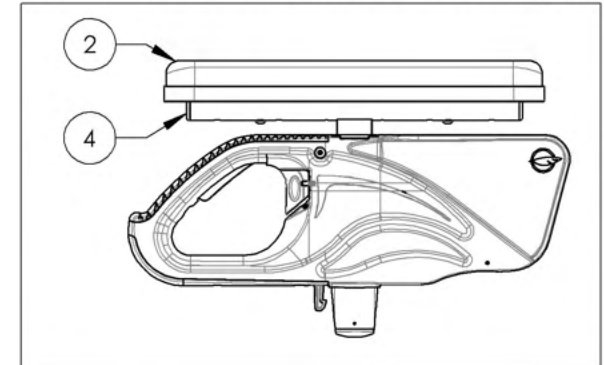


ITEM NO.	PARTNO	DESCRIPTION	9001303 /QTY.	9001304 /QTY.
1	33038	ARMREST DESK PAD	1	-
2	33039	ARMREST FULL LENGTH PAD	-	1
3	33579	V2 ARMREST STRUCTURE 8-12" FOR DESK LENGTH - ASSEMBLY	1	-
4	33559	V2 ARMREST STRUCTURE 8-12" FOR FULL LENGTH - ASSEMBLY	-	1
5	33554	V2 ARMREST - MAIN BODY	1	1
6	99013	SCREW PHILLIPS PAN HD #10_32 X 1_1_2 + BLUE THREADLOCKER	2	2

9001303
 Armrest - Flip Back & T Type Left, 8-12 in, Desk Length



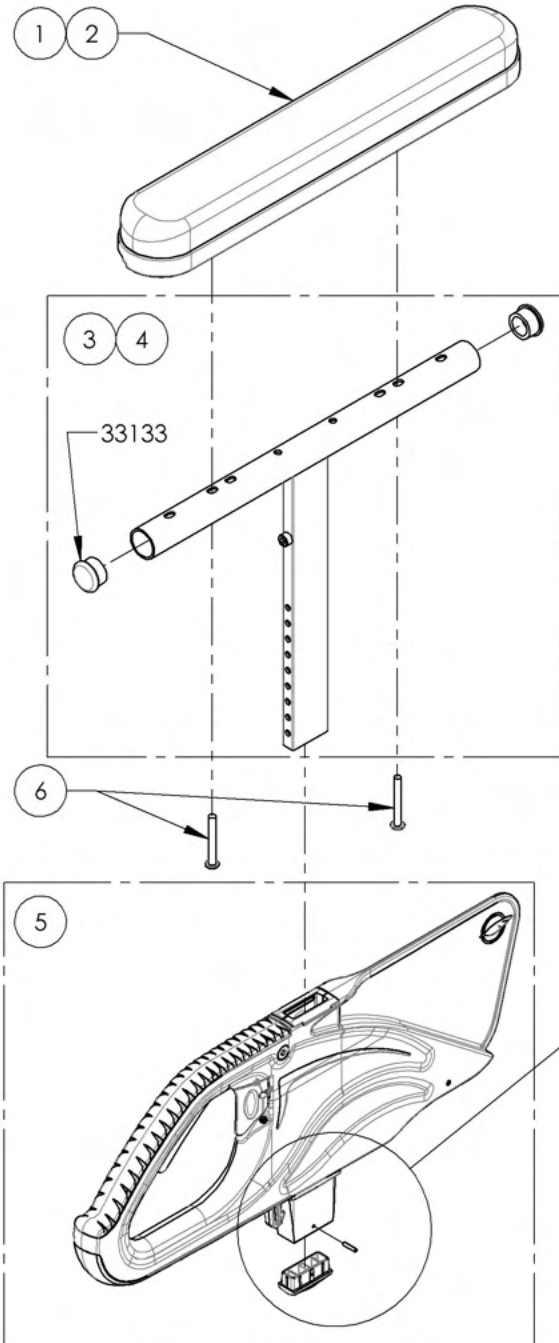
9001304
 Armrest - Flip Back & T Type Left, 8-12 in, Full Length



DETAIL A
 SCALE 2 : 5

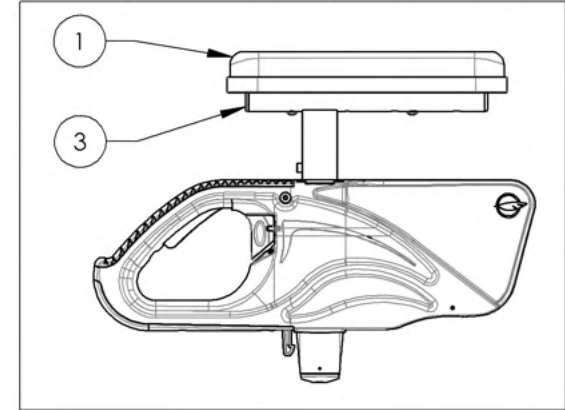
MAKE SURE TO HAVE YOUR SERIAL NUMBER
 NEARBY WHEN ORDERING PARTS FOR YOUR
 MOTION COMPOSITES WHEELCHAIR

9001305_9001306
Armrest - Flip Back & T Type Left, 10-14 in

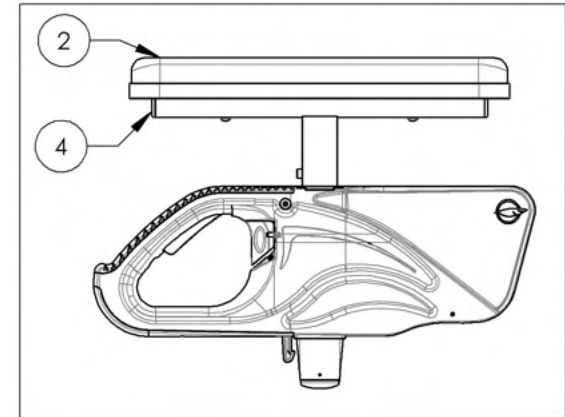


ITEM NO.	PART NO.	DESCRIPTION	9001305 /QTY.	9001306 /QTY.
1	33038	ARMREST DESK PAD	1	-
2	33039	ARMREST FULL LENGTH PAD	-	1
3	33580	V2 ARMREST STRUCTURE 10-14" FOR DESK LENGTH - ASSEMBLY	1	-
4	33560	V2 ARMREST STRUCTURE 10-14" FOR FULL LENGTH - ASSEMBLY	-	1
5	33554	V2 ARMREST - MAIN BODY	1	1
6	99013	SCREW PHILLIPS PAN HD #10_32 X 1_1_2 + BLUE THREADLOCKER	2	2

9001305
 Armrest - Flip Back & T Type Left, 10-14 in, Desk Length



9001306
 Armrest - Flip Back & T Type Left, 10-14 in, Full Length

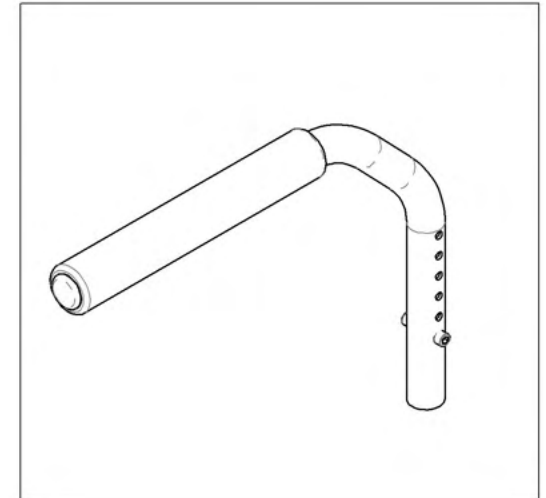
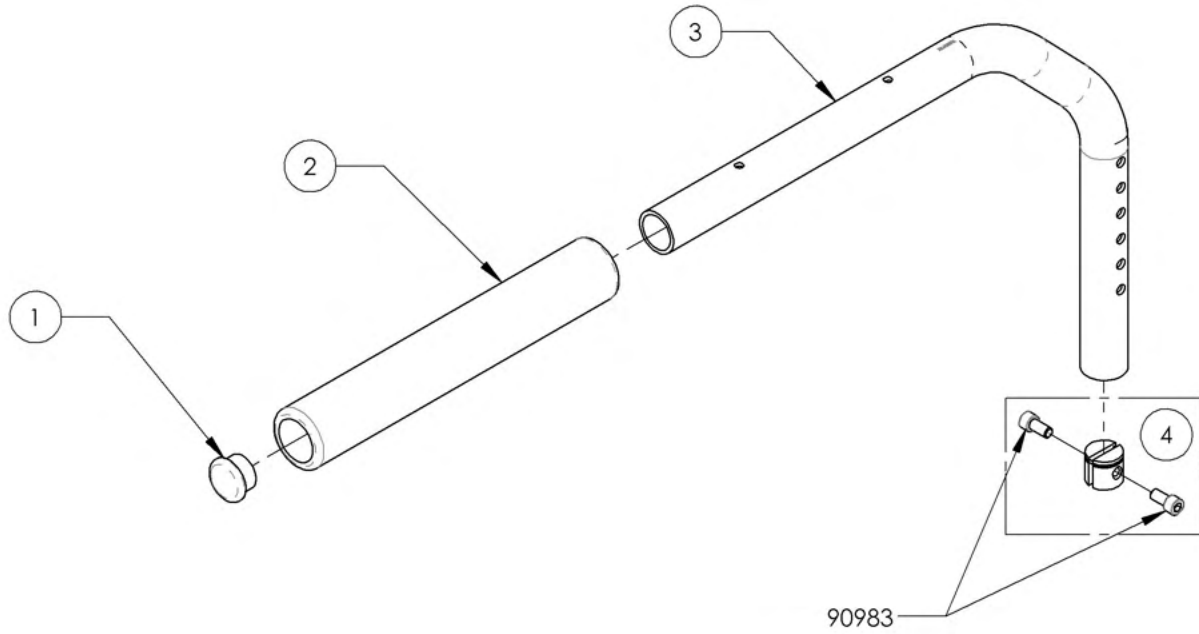


DETAIL A
 SCALE 2 : 5

MAKE SURE TO HAVE YOUR SERIAL NUMBER
 NEARBY WHEN ORDERING PARTS FOR YOUR
 MOTION COMPOSITES WHEELCHAIR

9003652
Armrest - Swing Away, Right, Tubular, Fold Down Locking Backrest

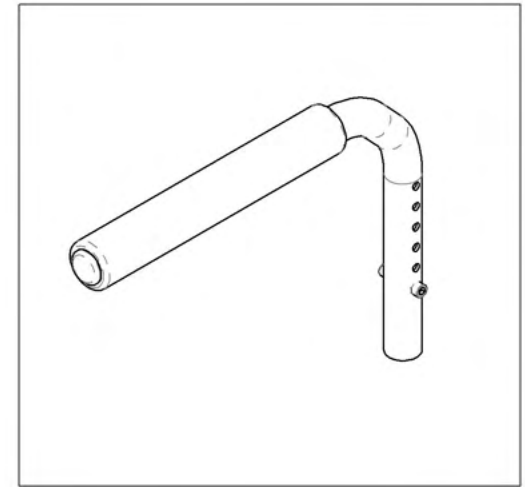
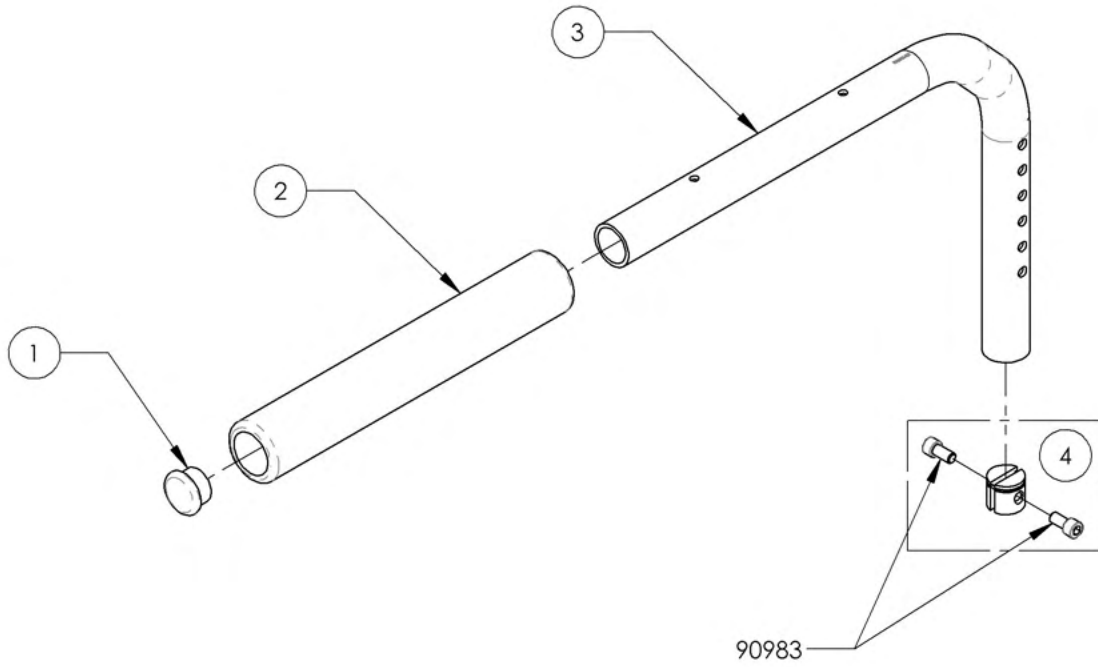
ITEM NO.	PARTNO	DESCRIPTION	9003652 /QTY.
1	99702	CAP 1 IN ALU	1
2	33049	SWING AWAY TUBULAR FOAM GRIP	1
3	33155	APEX SWING AWAY ARMREST RIGHT	1
4	33552	SPLIT NUT (M)	1



MAKE SURE TO HAVE YOUR SERIAL NUMBER
 NEARBY WHEN ORDERING PARTS FOR YOUR
 MOTION COMPOSITES WHEELCHAIR

9003653
Armrest - Swing Away, Left, Tubular, Fold Down Locking Backrest

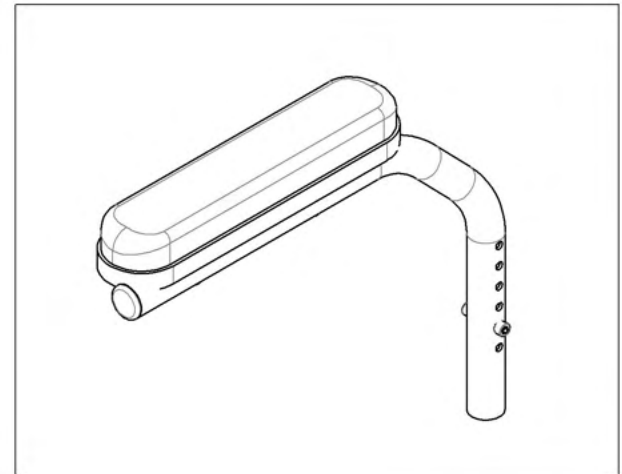
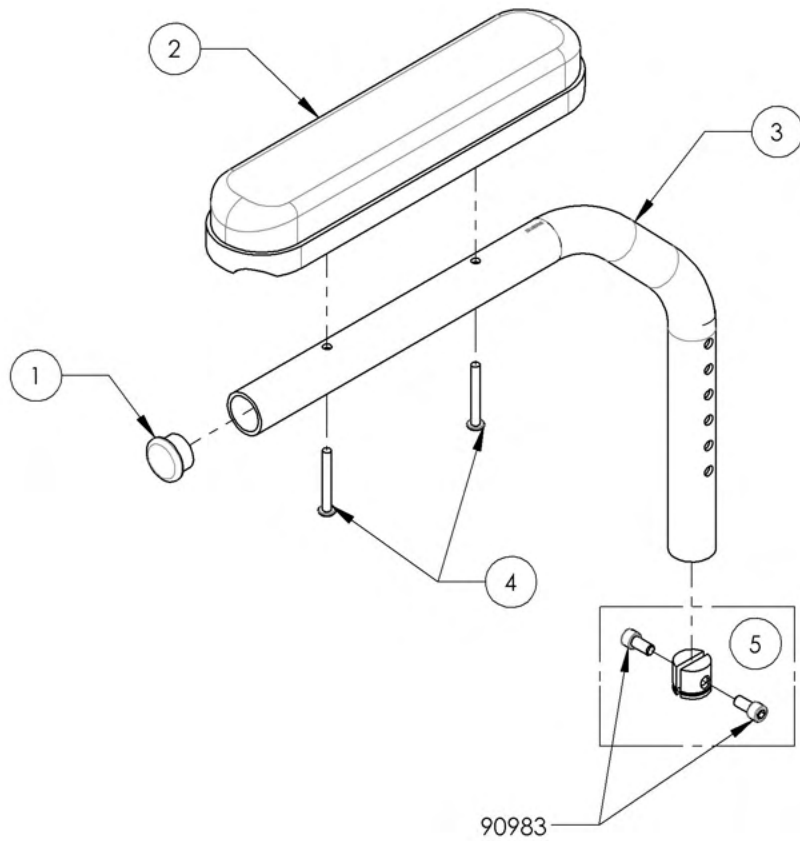
ITEM NO.	PARTNO	DESCRIPTION	9003653 /QTY.
1	99702	CAP 1 IN ALU	1
2	33049	SWING AWAY TUBULAR FOAM GRIP	1
3	33156	APEX SWING AWAY ARMREST LEFT	1
4	33552	SPLIT NUT (M)	1



MAKE SURE TO HAVE YOUR SERIAL NUMBER
 NEARBY WHEN ORDERING PARTS FOR YOUR
 MOTION COMPOSITES WHEELCHAIR

**9003654
Armrest - Swing Away, Right, Desk Length, Fold Down Locking Backrest**

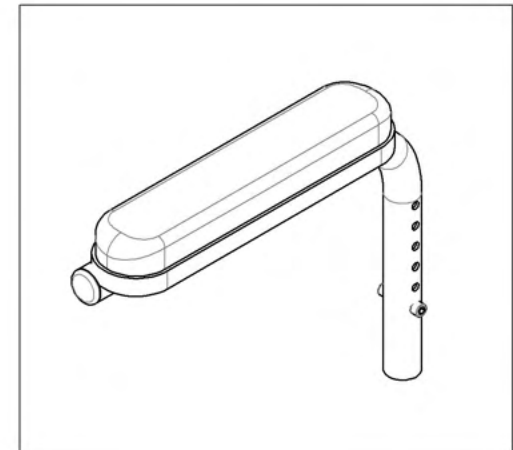
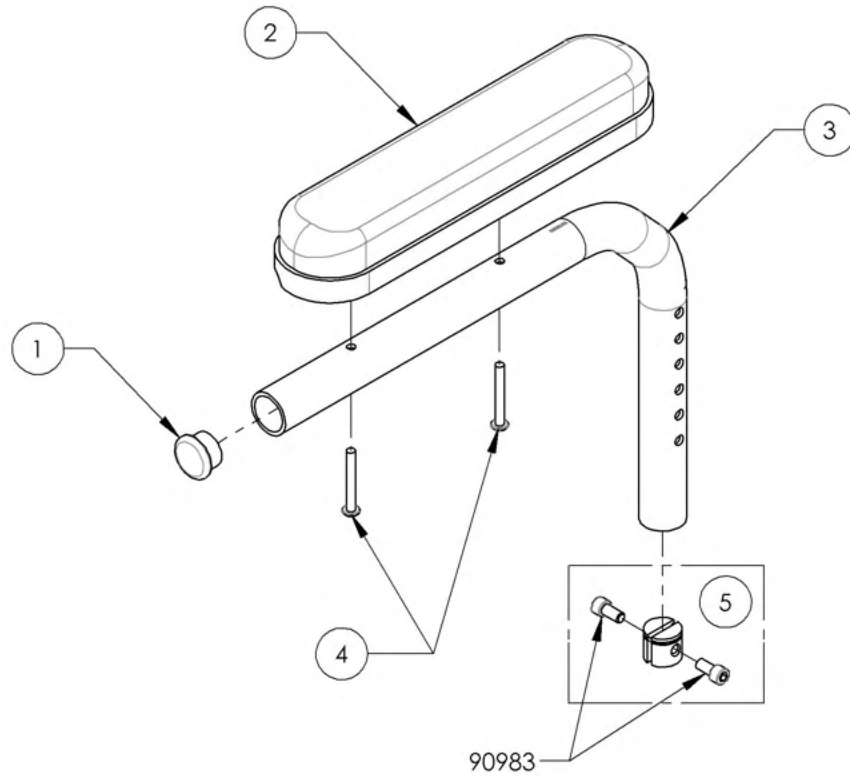
ITEM NO.	PARTNO	DESCRIPTION	9003654 /QTY.
1	99702	CAP 1 IN ALU	1
2	33038	ARMREST DESK PAD	1
3	33155	APEX SWING AWAY ARMREST RIGHT	1
4	99013	SCREW PHILLIPS PAN HD #10_32 X 1_1_2 + BLUE THREADLOCKER	2
5	33552	SPLIT NUT (M)	1



MAKE SURE TO HAVE YOUR SERIAL NUMBER
NEARBY WHEN ORDERING PARTS FOR YOUR
MOTION COMPOSITES WHEELCHAIR

9003655
Armrest - Swing Away, Left, Desk Length, Fold Down Locking Backrest

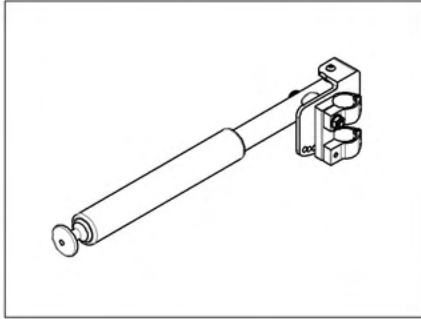
ITEM NO.	PARTNO	DESCRIPTION	9003655 /QTY
1	99702	CAP 1 IN ALU	1
2	33038	ARMREST DESK PAD	1
3	33156	APEX SWING AWAY ARMREST LEFT	1
4	99013	SCREW PHILLIPS PAN HD #10_32 X 1_1_2 + BLUE THREADLOCKER	2
5	33552	SPLIT NUT (M)	1



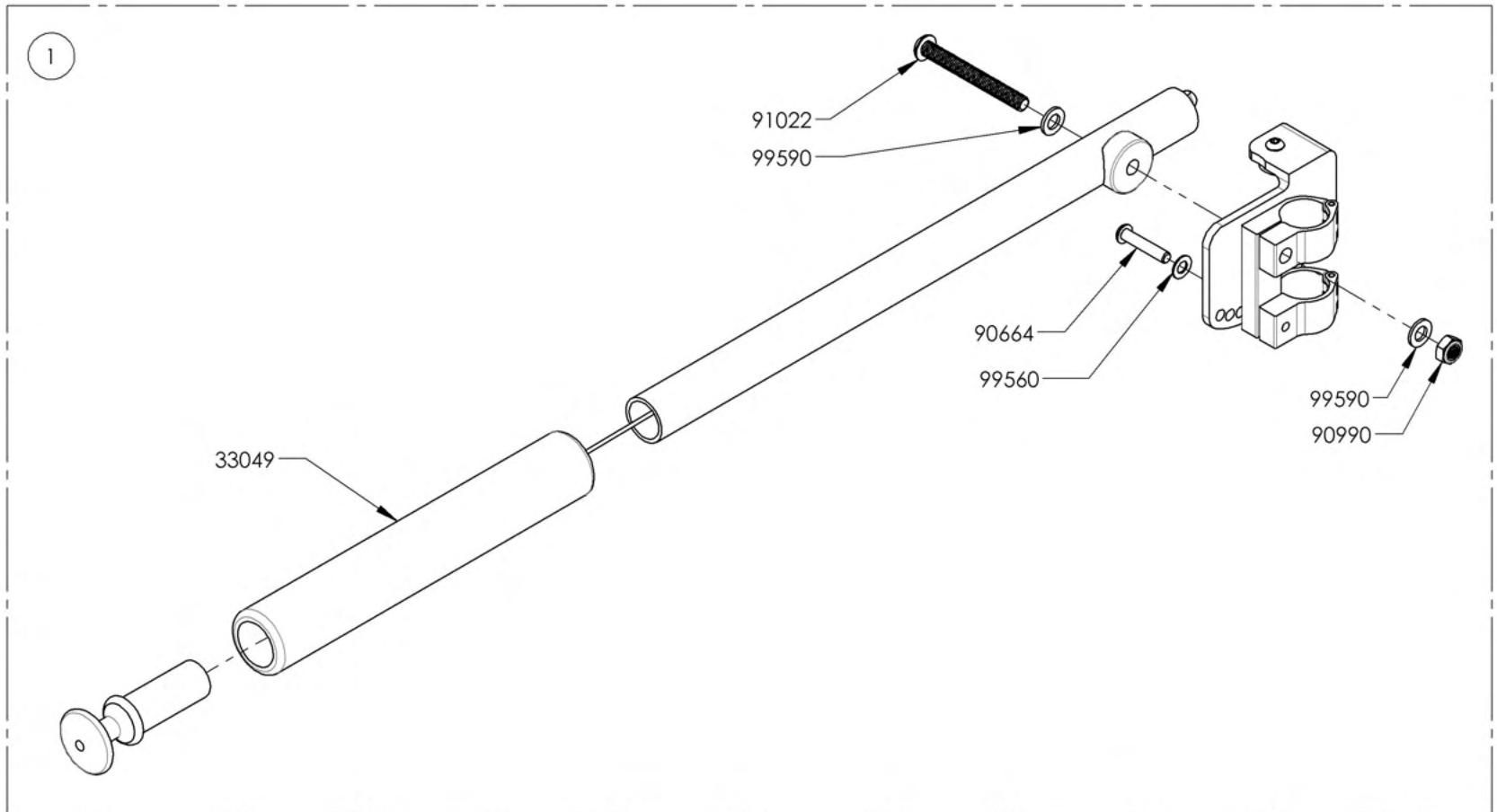
MAKE SURE TO HAVE YOUR SERIAL NUMBER
 NEARBY WHEN ORDERING PARTS FOR YOUR
 MOTION COMPOSITES WHEELCHAIR

9001316
Locking Armrest - Flip Up, Right

ITEM NO.	PARTNO	DESCRIPTION	9001316 /QTY.
1	33503	FLIP UP I ARMREST - RIGHT ASSEMBLY (M)	1



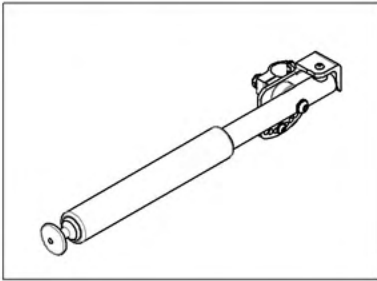
Depth Adjustable Back Canes
 Limited to **175lbs MAX**



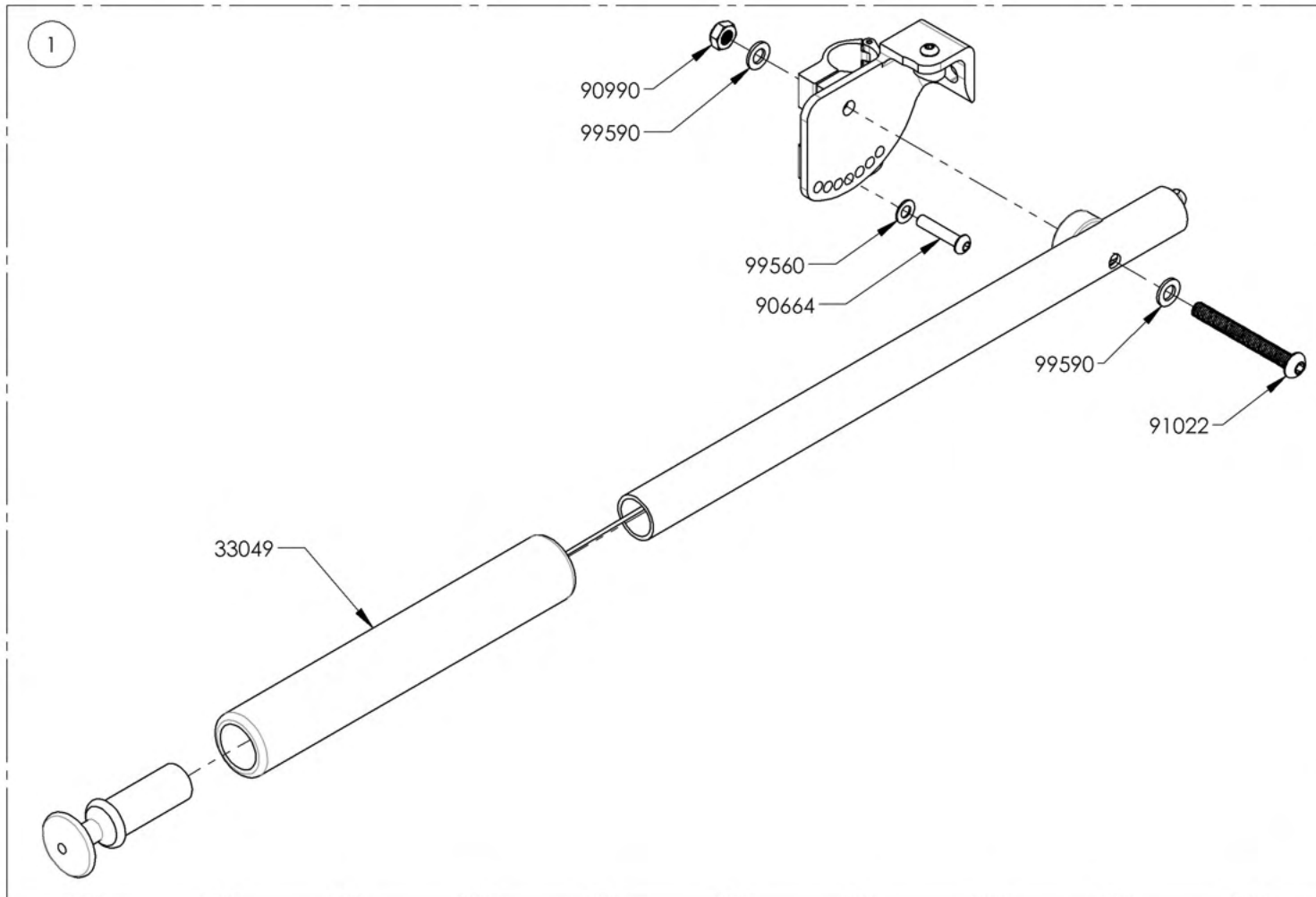
MAKE SURE TO HAVE YOUR SERIAL NUMBER
 NEARBY WHEN ORDERING PARTS FOR YOUR
 MOTION COMPOSITES WHEELCHAIR

9001317
Locking Armrest - Flip Up, Left

ITEM NO.	PARTNO	DESCRIPTION	9001317 /QTY.
1	33504	FLIP UP I ARMREST - LEFT ASSEMBLY (M)	1



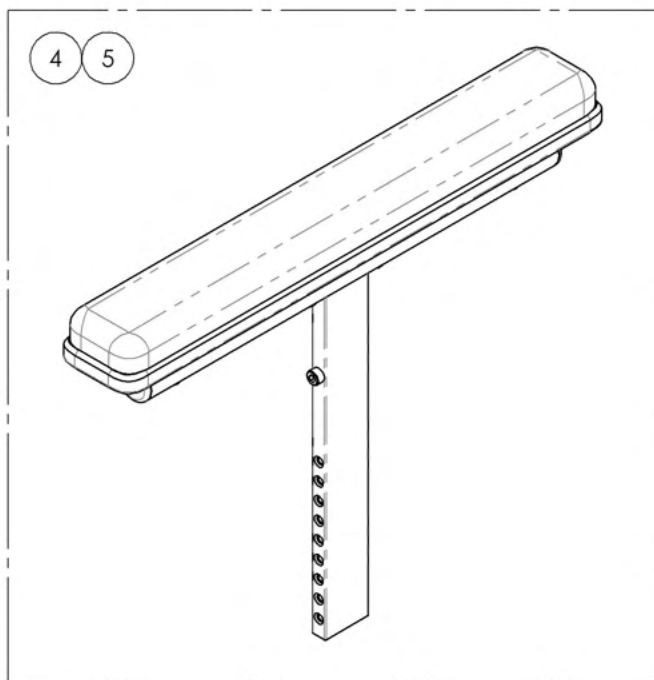
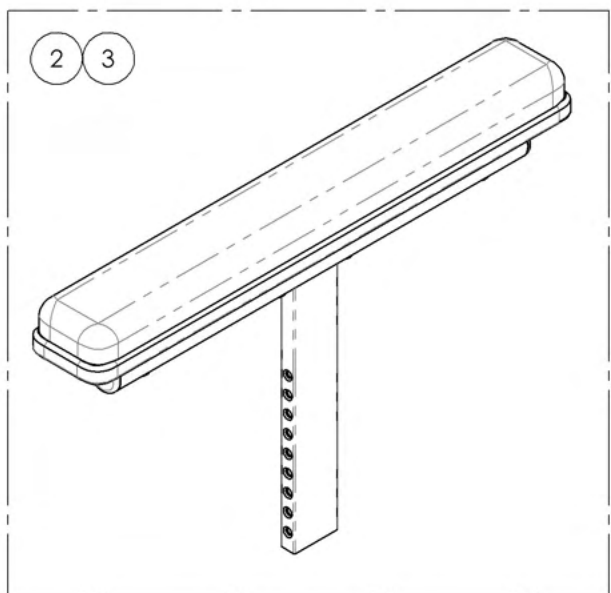
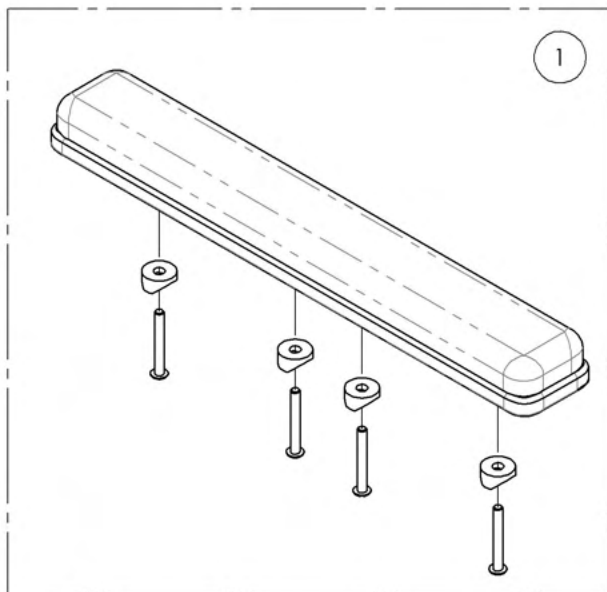
Depth Adjustable Back Canes
Limited to **175lbs MAX**



MAKE SURE TO HAVE YOUR SERIAL NUMBER
NEARBY WHEN ORDERING PARTS FOR YOUR
MOTION COMPOSITES WHEELCHAIR

Armrest Catalogue
Armrest - Gel Armrest Pad

ITEM NO.	PARTNO	DESCRIPTION	QTY
1	9002932	Armrest - Gel Armrest Pad, Full Length	1
2	9002933	Armrest - V2 Armrest Structure, 8-12 in, Gel Pad, Full Length, Right	1
3	9002935	Armrest - V2 Armrest Structure, 8-12 in, Gel Pad, Full Length, Left	1
4	9002934	Armrest - V2 Armrest Structure, 10-14 in, Gel Pad, Full Length, Right	1
5	9002936	Armrest - V2 Armrest Structure, 10-14 in, Gel Pad, Full Length, Left	1

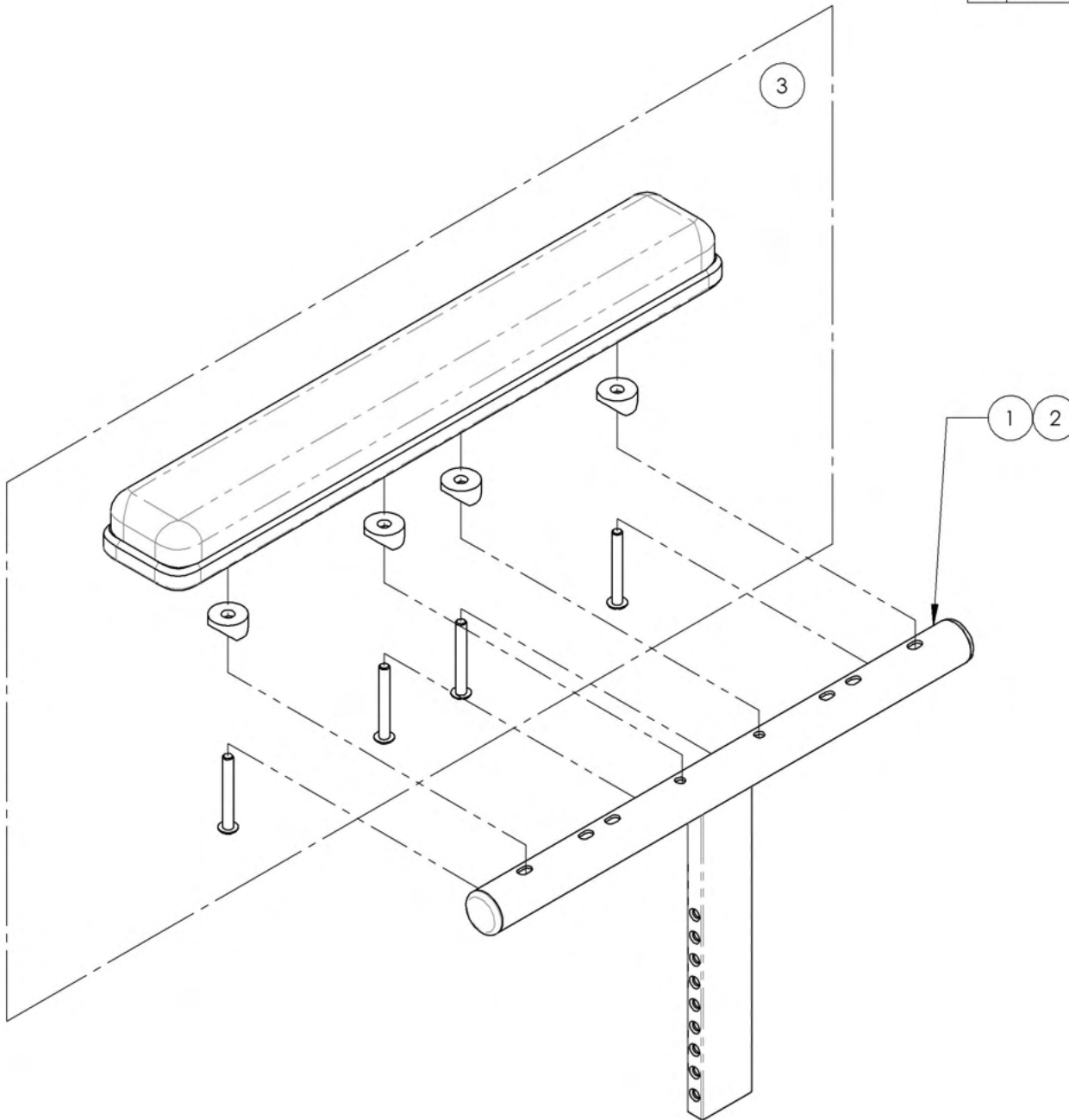


MAKE SURE TO HAVE YOUR SERIAL NUMBER
 NEARBY WHEN ORDERING PARTS FOR YOUR
 MOTION COMPOSITES WHEELCHAIR

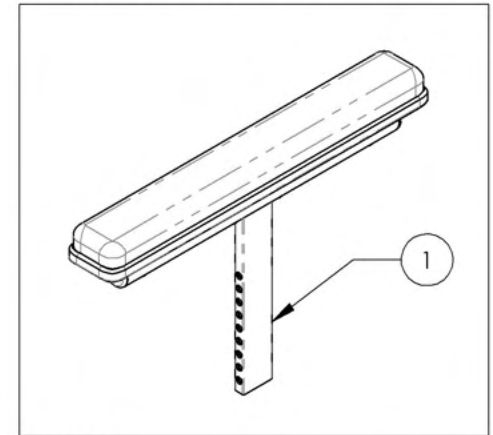
9002933_9002934

Armrest - V2 Armrest Structure, Gel Pad, Full Length, Right

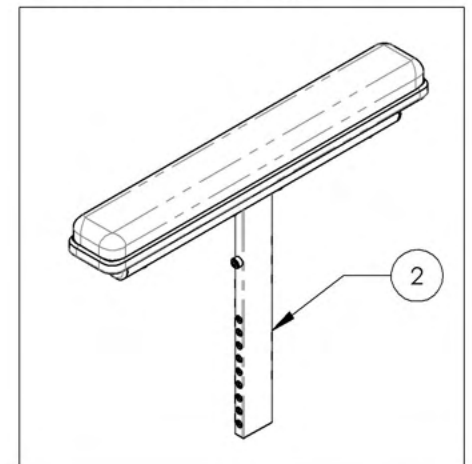
ITEM NO.	PARTNO	DESCRIPTION	9002933 /QTY.	9002934 /QTY.
1	33559	V2 ARMREST STRUCTURE 8-12" FOR FULL LENGTH - ASSEMBLY	1	-
2	33560	V2 ARMREST STRUCTURE 10-14" FOR FULL LENGTH - ASSEMBLY	-	1
3	33077	OVATION GEL ARMREST PAD 2x14in, FULL LENGTH	1	1



9002933
Armrest - V2 Armrest Structure, 8-12 in,
Gel Pad, Full Length, Right



9002934
Armrest - V2 Armrest Structure, 10-14 in,
Gel Pad, Full Length, Right

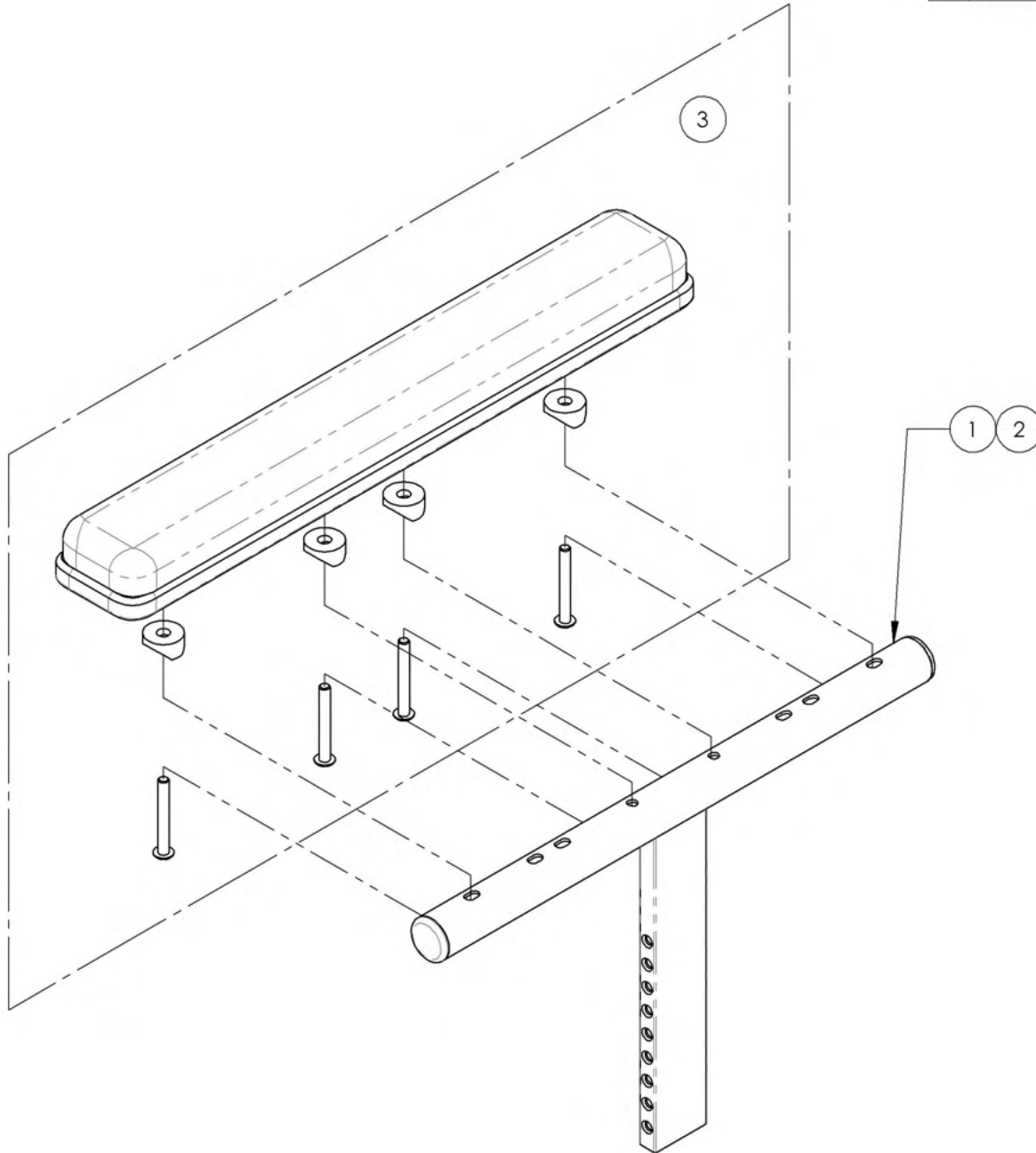


MAKE SURE TO HAVE YOUR SERIAL NUMBER
NEARBY WHEN ORDERING PARTS FOR YOUR
MOTION COMPOSITES WHEELCHAIR

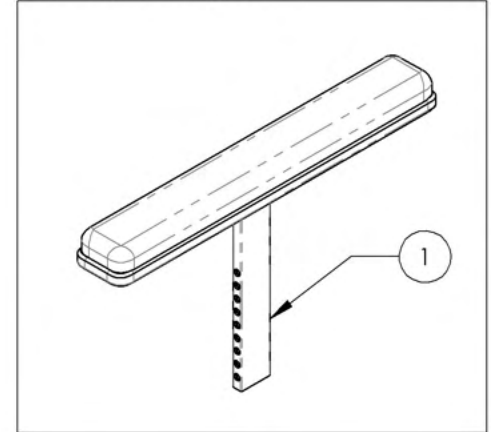
9002935_9002936

Armrest - V2 Armrest Structure, Gel Pad, Full Length, Left

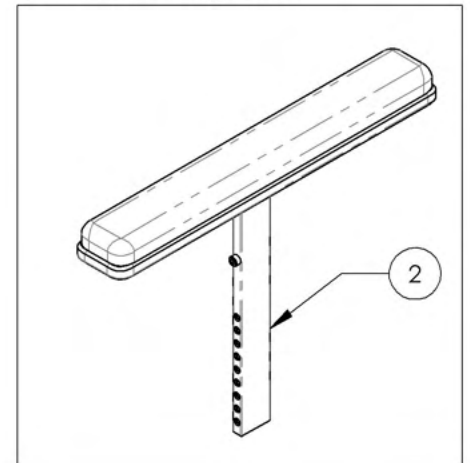
ITEM NO.	PARTNO	DESCRIPTION	9002935 /QTY.	9002936 /QTY.
1	33559	V2 ARMREST STRUCTURE 8-12" FOR FULL LENGTH - ASSEMBLY	1	-
2	33560	V2 ARMREST STRUCTURE 10-14" FOR FULL LENGTH - ASSEMBLY	-	1
3	33077	OVATION GEL ARMREST PAD 2x14in, FULL LENGTH	1	1



9002935
Armrest - V2 Armrest Structure, 8-12 in,
Gel Pad, Full Length, Left



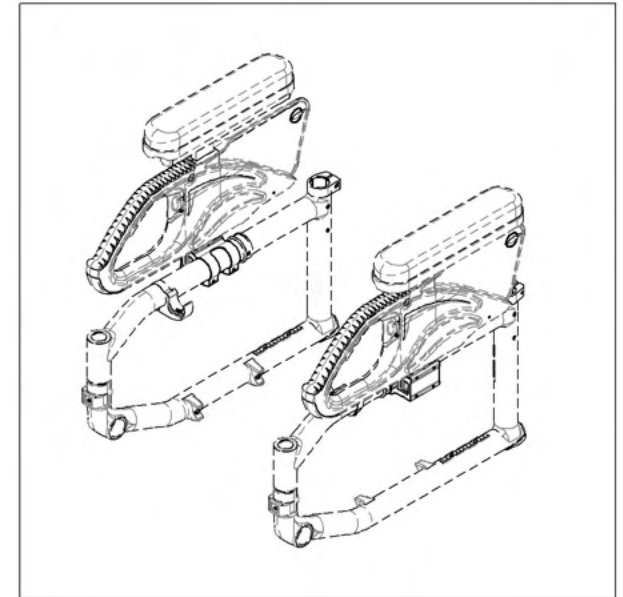
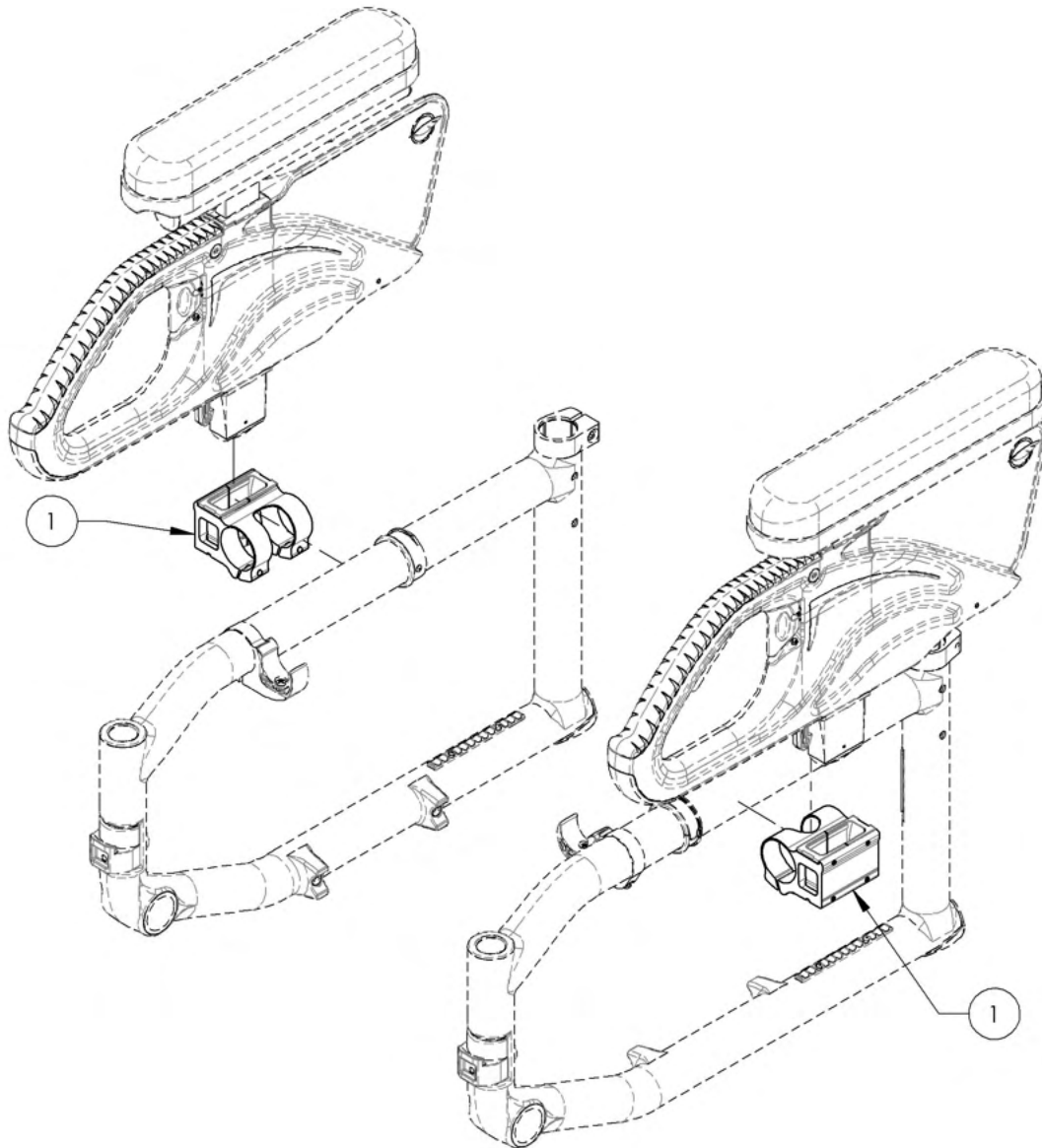
9002936
Armrest - V2 Armrest Structure, 10-14 in,
Gel Pad, Full Length, Left



MAKE SURE TO HAVE YOUR SERIAL NUMBER
NEARBY WHEN ORDERING PARTS FOR YOUR
MOTION COMPOSITES WHEELCHAIR

Armrest Catalogue
Armrests - T Type Receiver

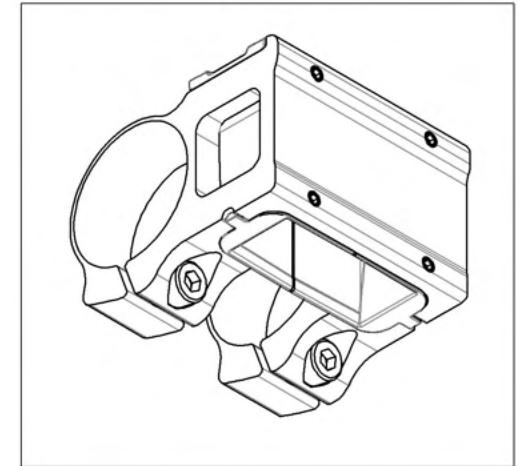
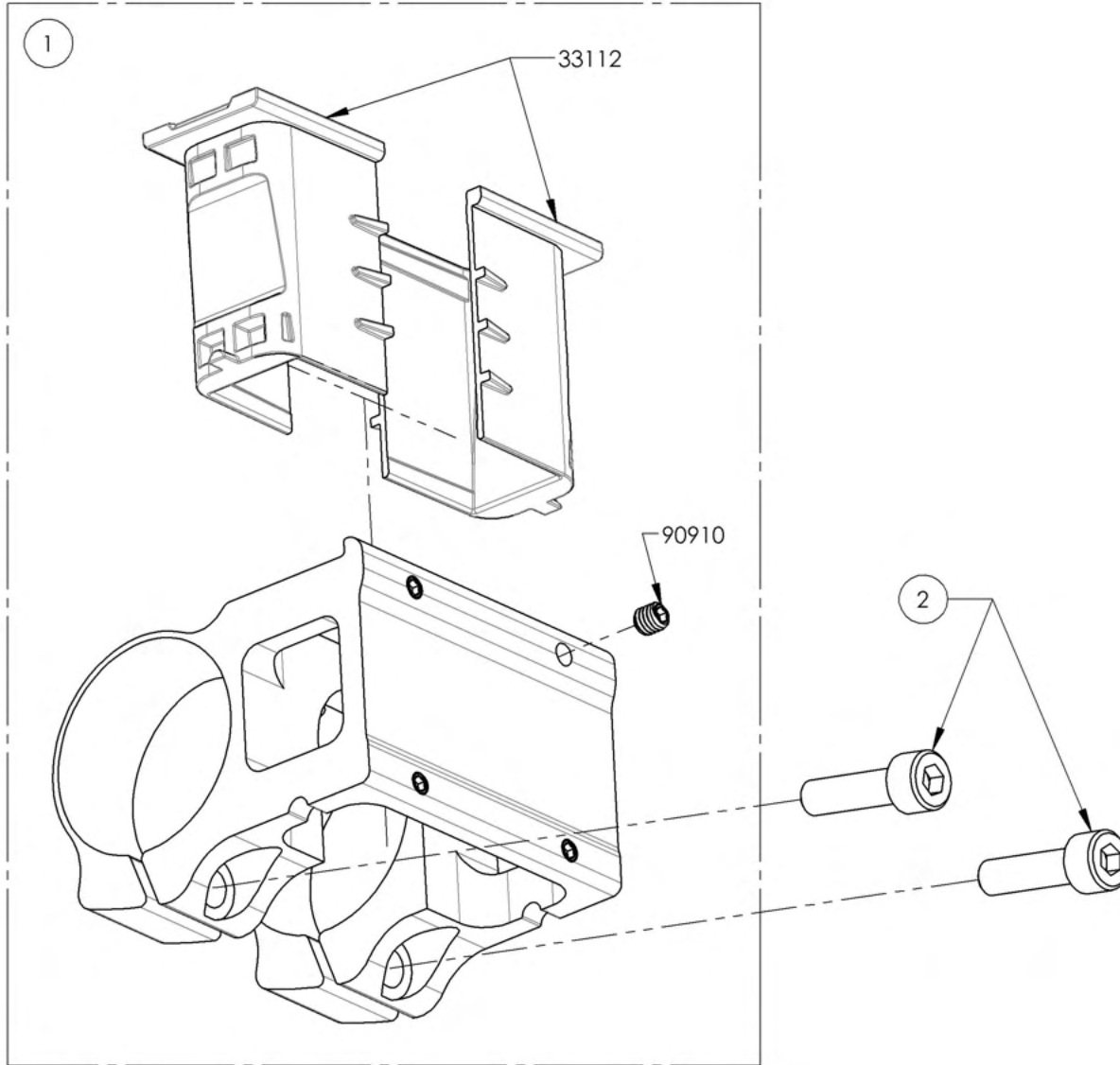
ITEM NO.	PARTNO	DESCRIPTION	QTY
1	9001312	Armrest - Receiver, Flip Back & T Type	2



MAKE SURE TO HAVE YOUR SERIAL NUMBER
NEARBY WHEN ORDERING PARTS FOR YOUR
MOTION COMPOSITES WHEELCHAIR

9001312
Armrest - Receiver, Flip Back & T Type

ITEM NO.	PARTNO	DESCRIPTION	9001312 /QTY.
1	33555	V2 ARMREST RECEIVER - ASSEMBLY	1
2	90748	SOCKET CAP SCREW M5X0.8 X 18mm LONG, FULLY THREADED + BLUE TREADLOCKER - BLACK ZINC	2

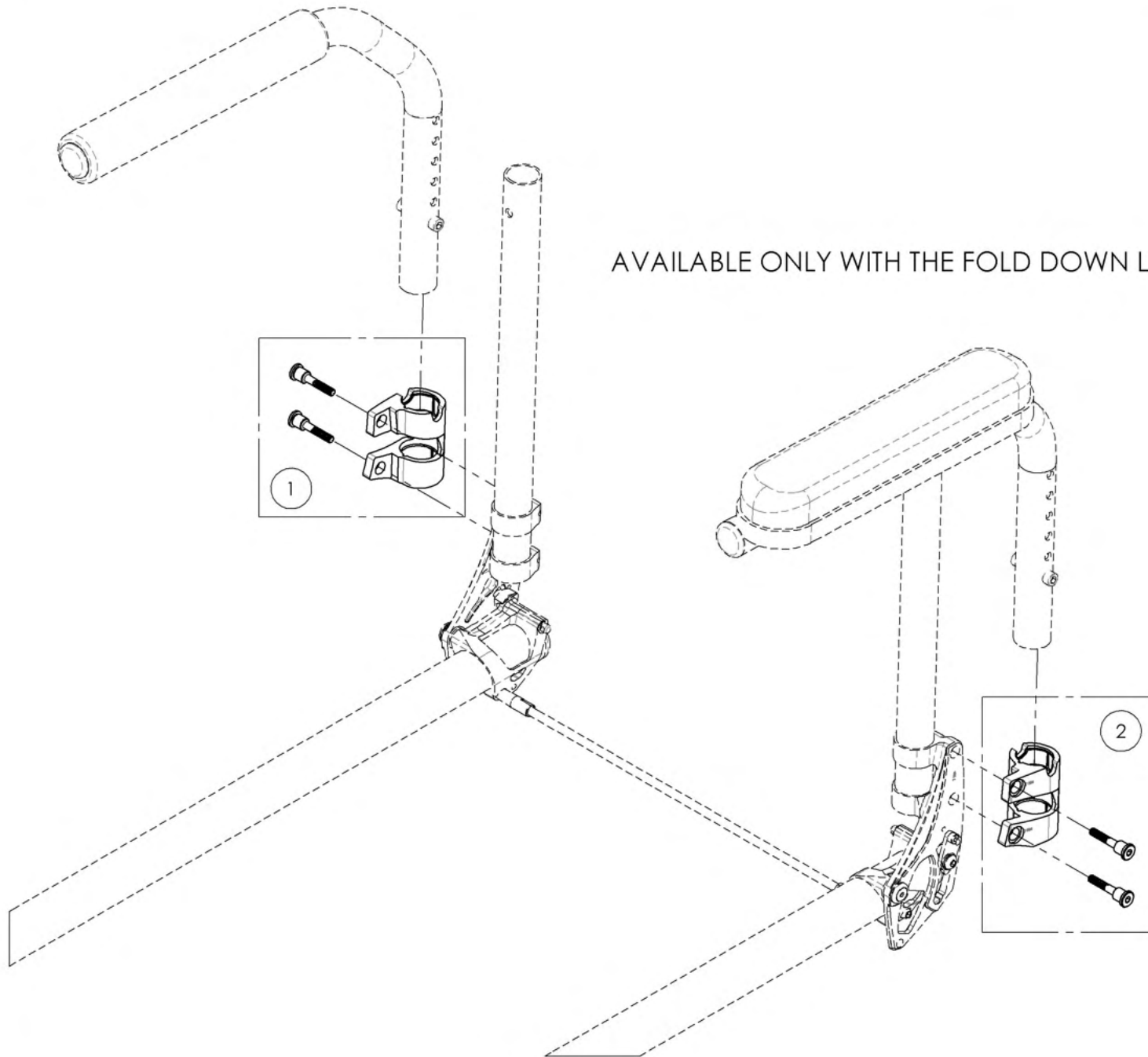


MAKE SURE TO HAVE YOUR SERIAL NUMBER
NEARBY WHEN ORDERING PARTS FOR YOUR
MOTION COMPOSITES WHEELCHAIR

Armrest Catalogue
Swing Away Receiver

ITEM NO.	PARTNO	DESCRIPTION	QTY
1	9003656	Armrest - Receiver, Swing Away, Right, Fold Down Locking Backrest	1
2	9003657	Armrest - Receiver, Swing Away, Left, Fold Down Locking Backrest	1

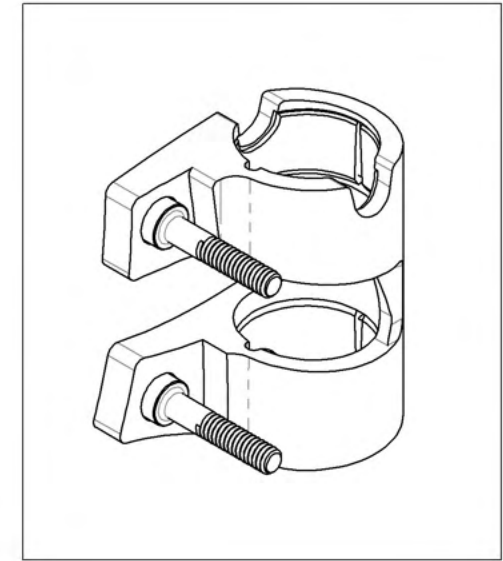
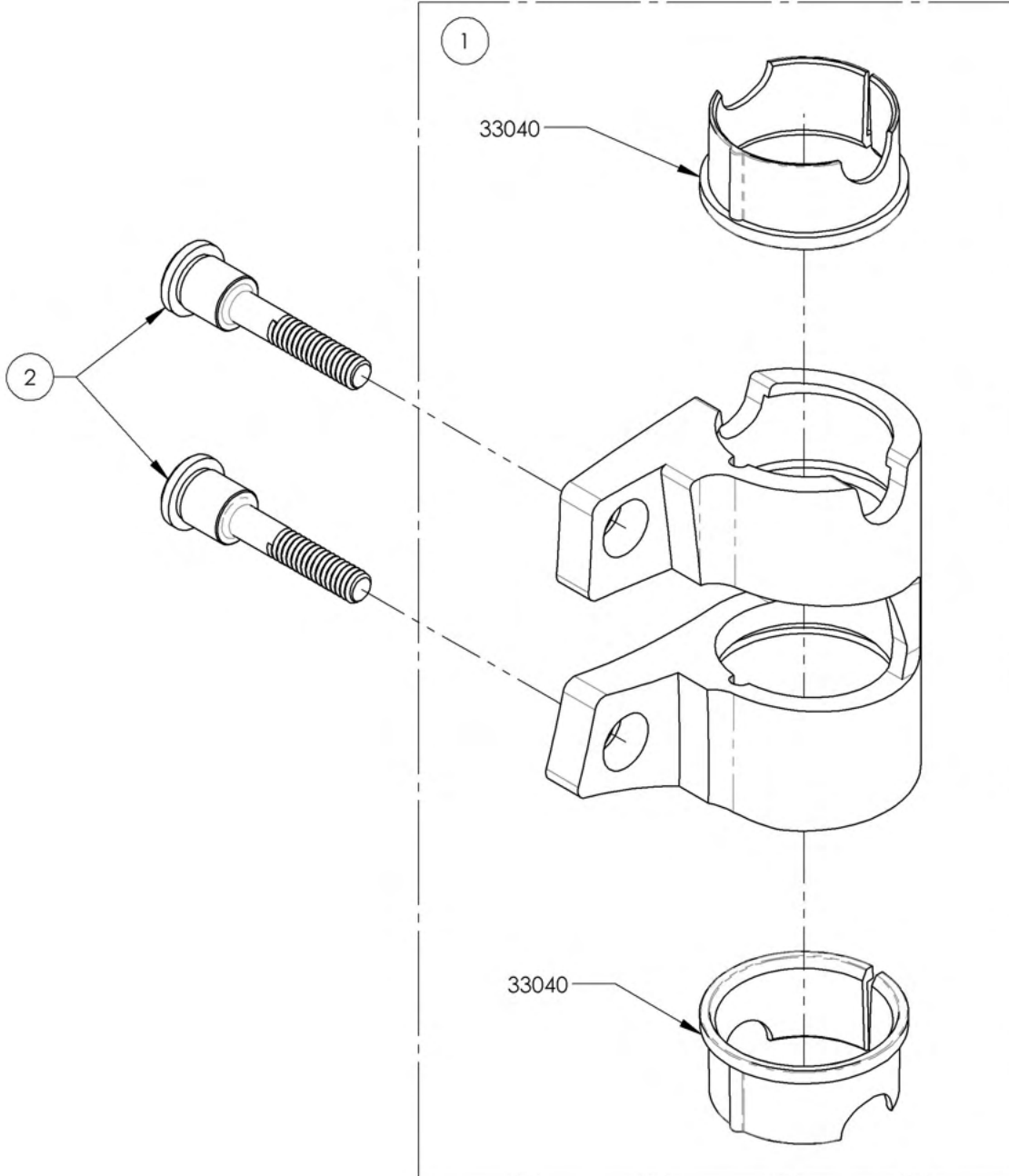
AVAILABLE ONLY WITH THE FOLD DOWN LOCKING BACKREST



MAKE SURE TO HAVE YOUR SERIAL NUMBER
NEARBY WHEN ORDERING PARTS FOR YOUR
MOTION COMPOSITES WHEELCHAIR

9003656
Armrest - Receiver, Swing Away, Right, Fold Down Locking Backrest

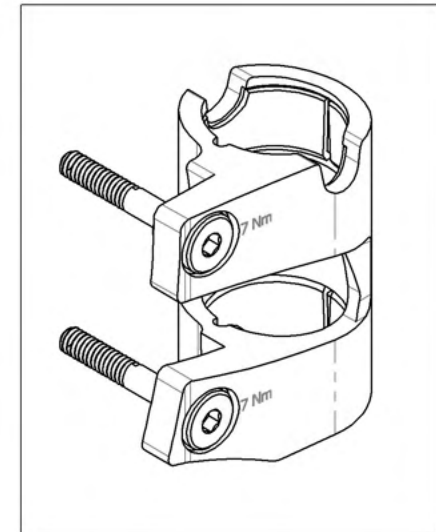
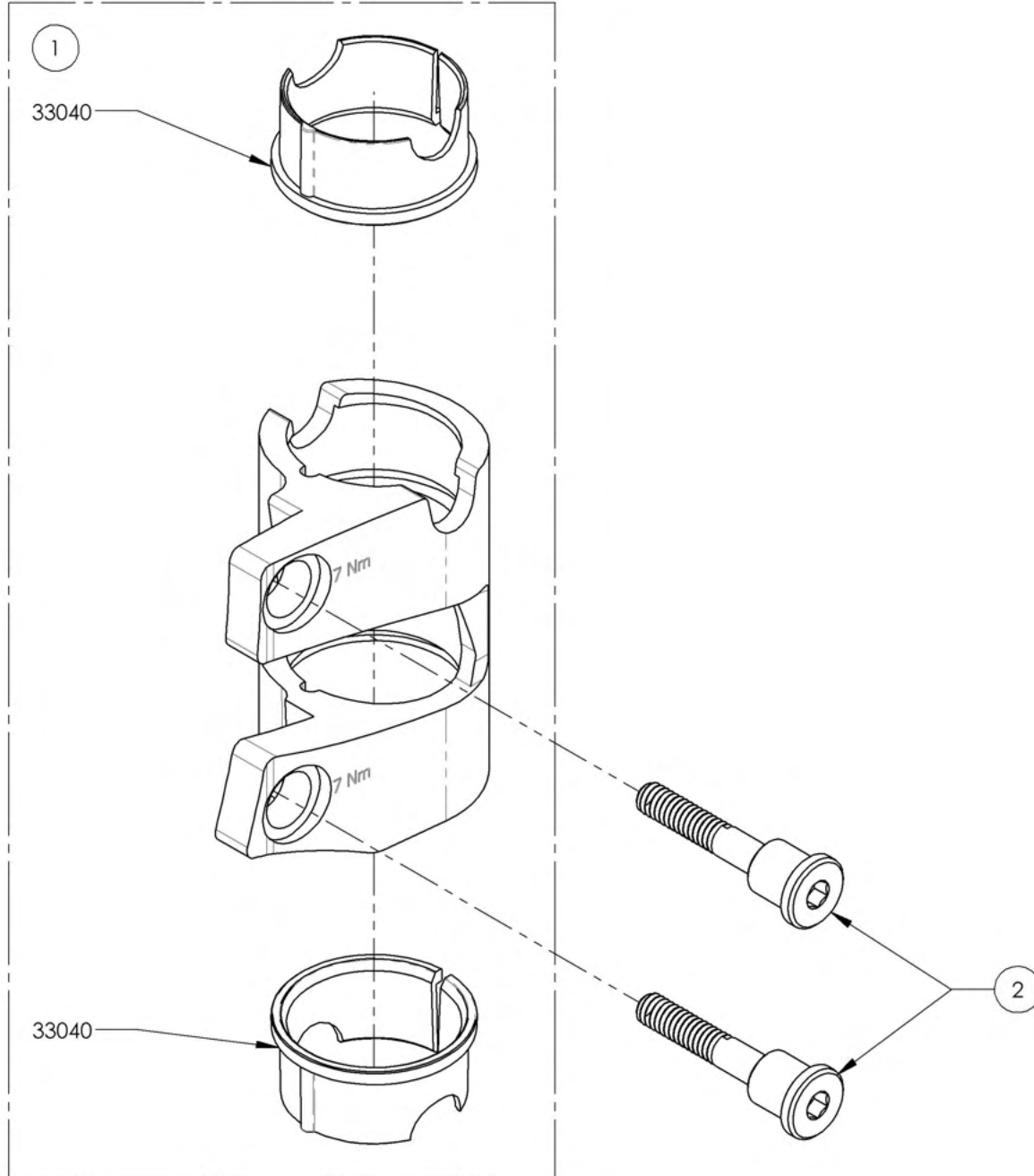
ITEM NO.	PART NO.	DESCRIPTION	9003656 /QTY.
1	33592	SWING AWAY ARMREST RECEIVER, RIGHT - ASSEMBLY	1
2	91045	SHOULDER SCREW M5X0.8 X 34mm LONG + BLUE LOCTITE	2



MAKE SURE TO HAVE YOUR SERIAL NUMBER
NEARBY WHEN ORDERING PARTS FOR YOUR
MOTION COMPOSITES WHEELCHAIR

9003657
Armrest - Receiver, Swing Away, Left, Fold Down Locking Backrest

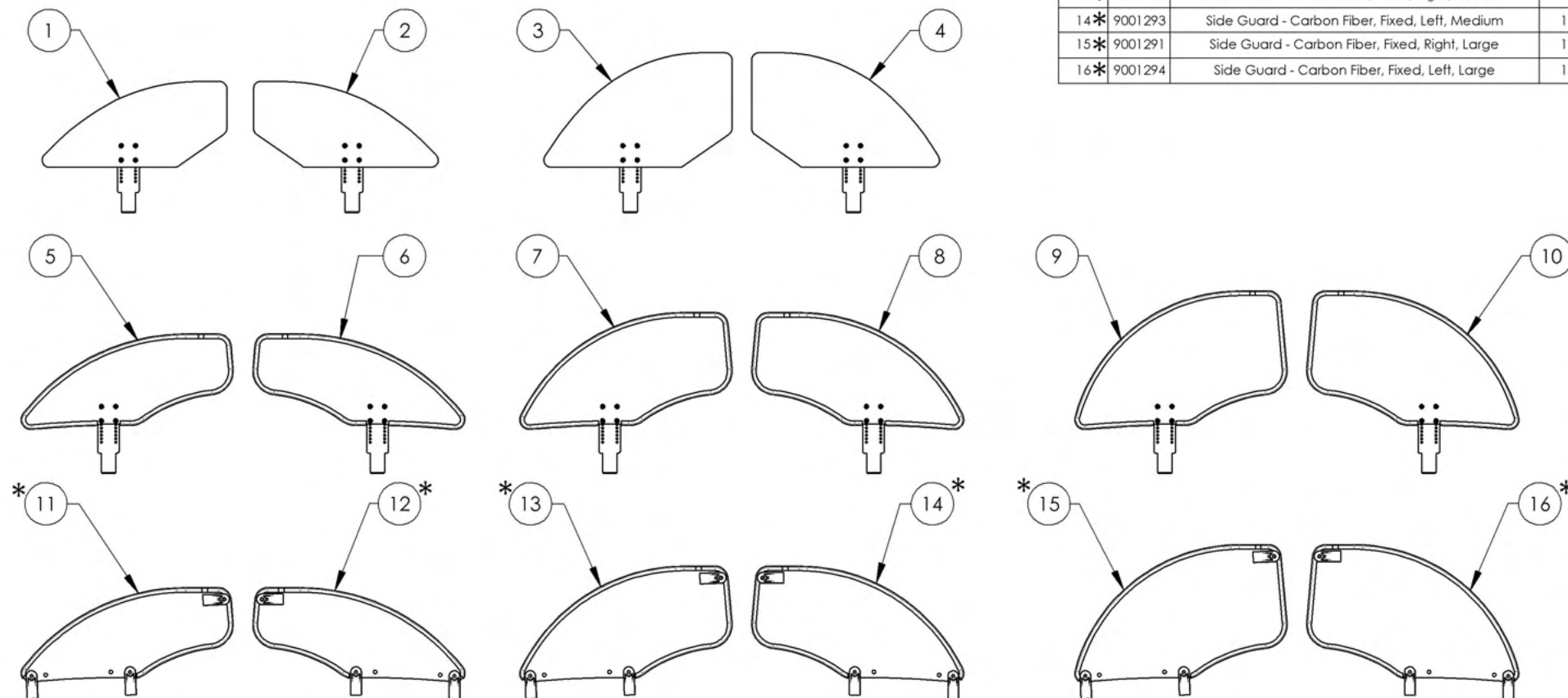
ITEM NO.	PARTNO	DESCRIPTION	9003657 /QTY.
1	33593	SWING AWAY ARMREST RECEIVER, LEFT - ASSEMBLY	1
2	91045	SHOULDER SCREW M5X0.8 X 34mm LONG + BLUE LOCTITE	2



MAKE SURE TO HAVE YOUR SERIAL NUMBER
 NEARBY WHEN ORDERING PARTS FOR YOUR
 MOTION COMPOSITES WHEELCHAIR

Sideguard Catalogue Sideguards

ITEM NO.	PARTNO	DESCRIPTION	QTY
1	9001295	Side Guard - Plastic, Removable, Right, Small	1
2	9001297	Side Guard - Plastic, Removable, Left, Small	1
3	9001296	Side Guard - Plastic, Removable, Right, Medium	1
4	9001298	Side Guard - Plastic, Removable, Left, Medium	1
5	9002489	Removable Side Guard - Carbon Fiber, Right, Small	1
6	9002492	Removable Side Guard - Carbon Fiber, Left, Small	1
7	9002490	Removable Side Guard - Carbon Fiber, Right, Medium	1
8	9002493	Removable Side Guard - Carbon Fiber, Left, Medium	1
9	9002491	Removable Side Guard - Carbon Fiber, Right, Large	1
10	9002494	Removable Side Guard - Carbon Fiber, Left, Large	1
11*	9001289	Side Guard - Carbon Fiber, Fixed, Right, Small	1
12*	9001292	Side Guard - Carbon Fiber, Fixed, Left, Small	1
13*	9001290	Side Guard - Carbon Fiber, Fixed, Right, Medium	1
14*	9001293	Side Guard - Carbon Fiber, Fixed, Left, Medium	1
15*	9001291	Side Guard - Carbon Fiber, Fixed, Right, Large	1
16*	9001294	Side Guard - Carbon Fiber, Fixed, Left, Large	1

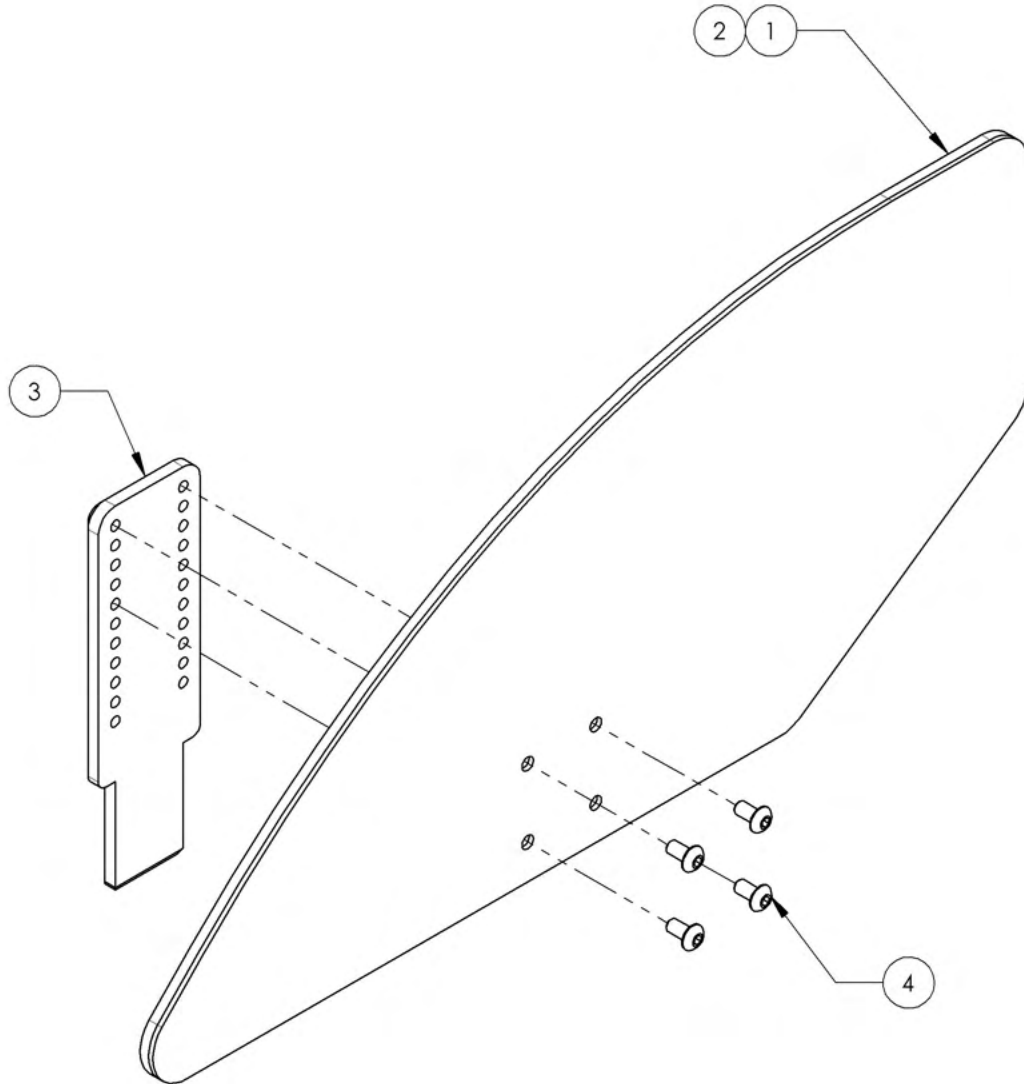


*:NOT AVAILABLE FOR KIDS & APEX WHEELCHAIRS

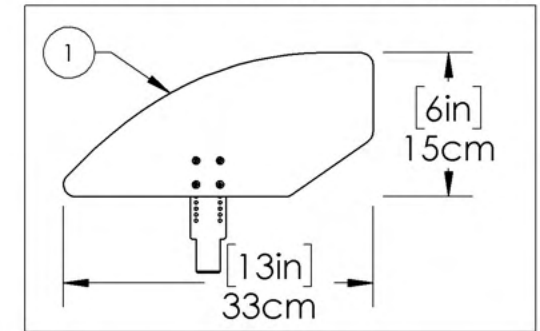
MAKE SURE TO HAVE YOUR SERIAL NUMBER
NEARBY WHEN ORDERING PARTS FOR YOUR
MOTION COMPOSITES WHEELCHAIR

9001295_9001296
Side Guard - Plastic, Removable, Right

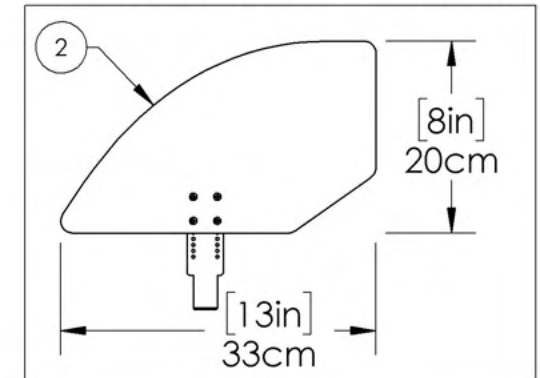
ITEM NO.	PARTNO	DESCRIPTION	9001295 /QTY.	9001296 /QTY.
1	51002	RIGID PLASTIC SIDE GUARD SMALL - ASSEMBLY	1	-
2	51003	RIGID PLASTIC SIDE GUARD MEDIUM - ASSEMBLY	-	1
3	51118	MUDGUARD & SIDEGUARD ADJUSTING PLATE	1	1
4	90631	BUTTON HEAD CAP SCREW M4X0.7 X 8mm LONG, FULLY THREADED + BLUE THREADLOCKER - BLACK ZINC	4	4



9001295
 Side Guard - Plastic, Removable, Right, Small



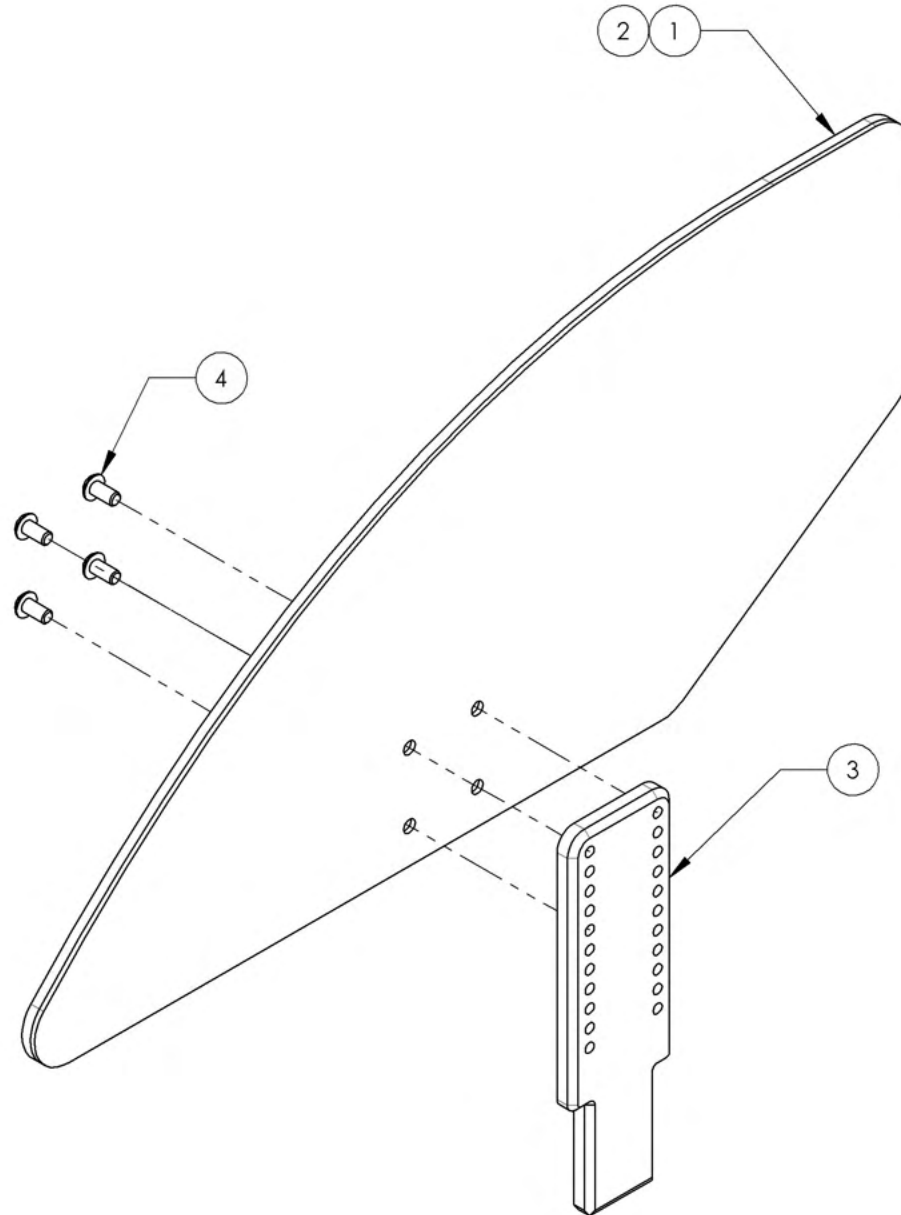
9001296
 Side Guard - Plastic, Removable, Right, Medium



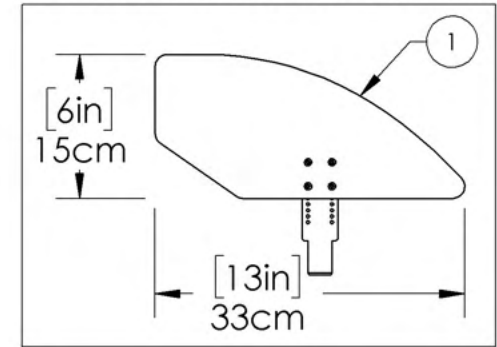
MAKE SURE TO HAVE YOUR SERIAL NUMBER
 NEARBY WHEN ORDERING PARTS FOR YOUR
 MOTION COMPOSITES WHEELCHAIR

9001297_9001298
Side Guard - Plastic, Removable, Left

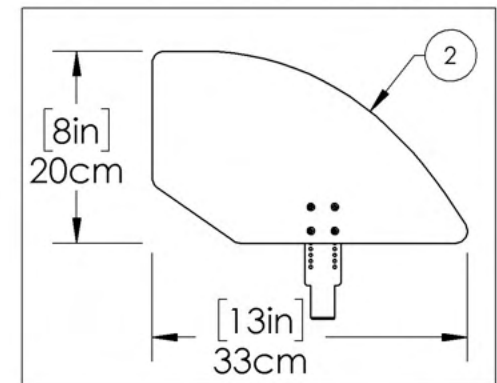
ITEM NO.	PARTNO	DESCRIPTION	9001297 /QTY.	9001298 /QTY.
1	51002	RIGID PLASTIC SIDE GUARD SMALL - ASSEMBLY	1	-
2	51003	RIGID PLASTIC SIDE GUARD MEDIUM - ASSEMBLY	-	1
3	51118	MUDGUARD & SIDEGUARD ADJUSTING PLATE	1	1
4	90631	BUTTON HEAD CAP SCREW M4X0.7 X 8mm LONG, FULLY THREADED + BLUE THREADLOCKER - BLACK ZINC	4	4



9001297
 Side Guard - Plastic, Removable, Left, Small



9001298
 Side Guard - Plastic, Removable, Left, Medium



MAKE SURE TO HAVE YOUR SERIAL NUMBER
 NEARBY WHEN ORDERING PARTS FOR YOUR
 MOTION COMPOSITES WHEELCHAIR

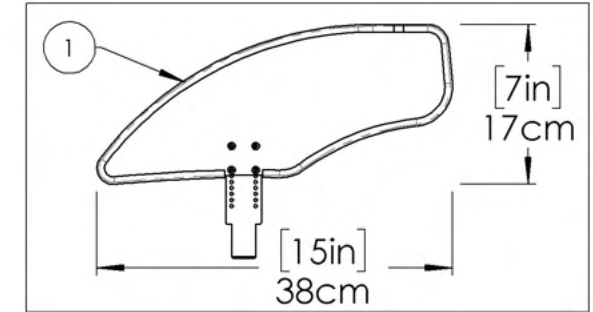
9002489_9002491

Side Guard - Carbon Fiber, Removable, Right

ITEM NO.	PARTNO	DESCRIPTION	9002489 /QTY.	9002490 /QTY.	9002491 /QTY.
1	51213	SMALL AJUSTABLE CARBON FIBER SIDEGUARD, H-165mm L-372mm - ASSEMBLY	1	-	-
2	51214	MEDIUM AJUSTABLE CARBON FIBER SIDEGUARD, H-203mm L-372mm - ASSEMBLY	-	1	-
3	51215	LARGE AJUSTABLE CARBON FIBER SIDEGUARD, H-241mm L-372mm - ASSEMBLY	-	-	1
4	51118	MUDGUARD & SIDEGUARD ADJUSTING PLATE	1	1	1
5	90631	BUTTON HEAD CAP SCREW M4X0.7 X 8mm LONG, FULLY THREADED + BLUE THREADLOCKER - BLACK ZINC	4	4	4

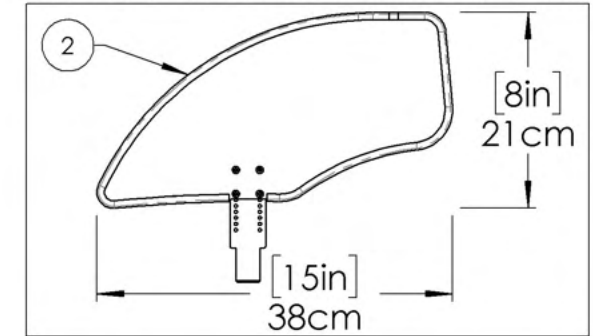
9002489

Side Guard - Carbon Fiber, Removable, Right, Small



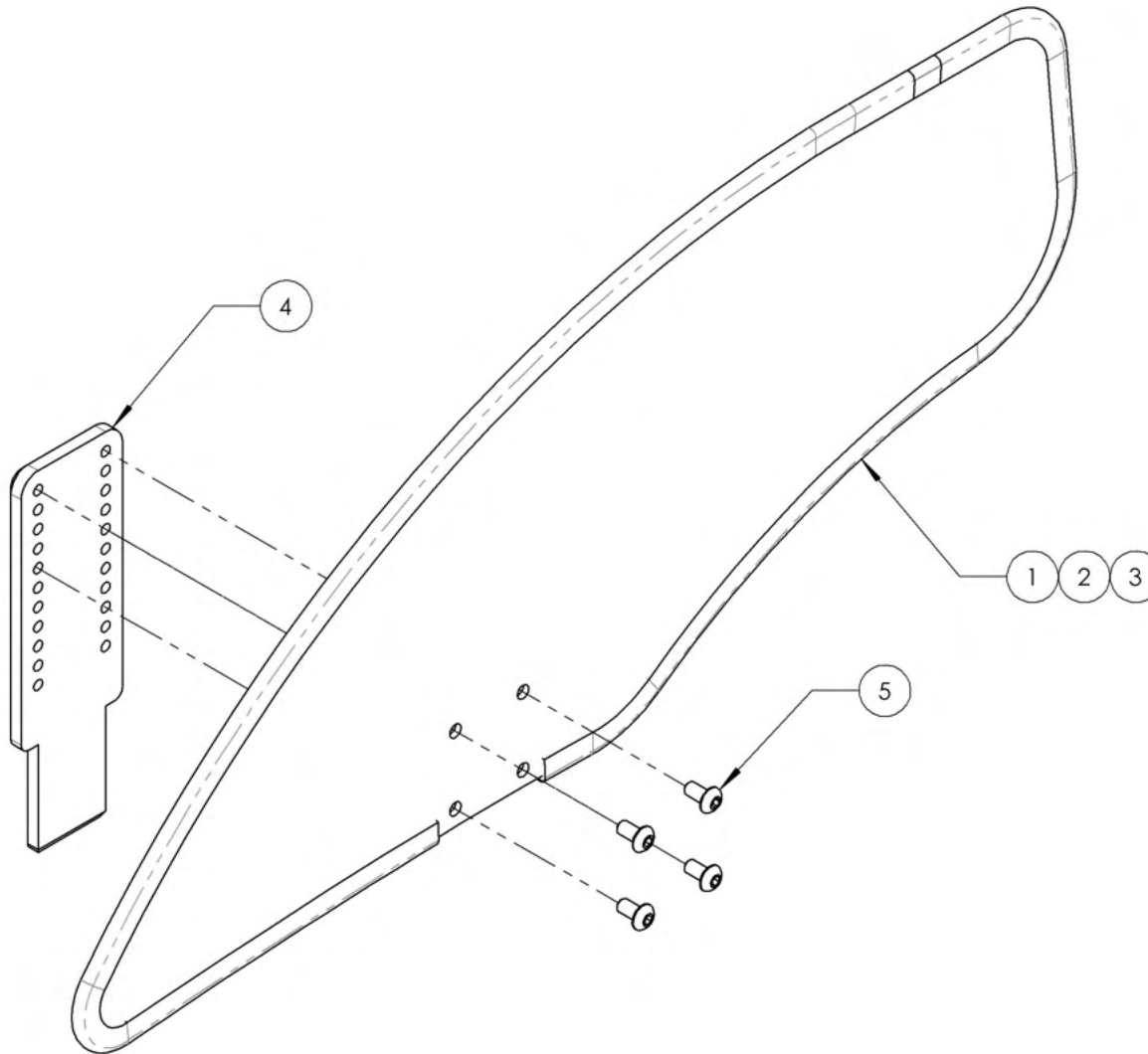
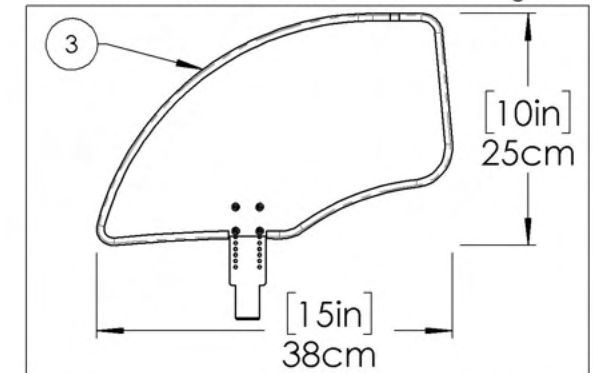
9002490

Side Guard - Carbon Fiber, Removable, Right, Medium



9002491

Side Guard - Carbon Fiber, Removable, Right, Large

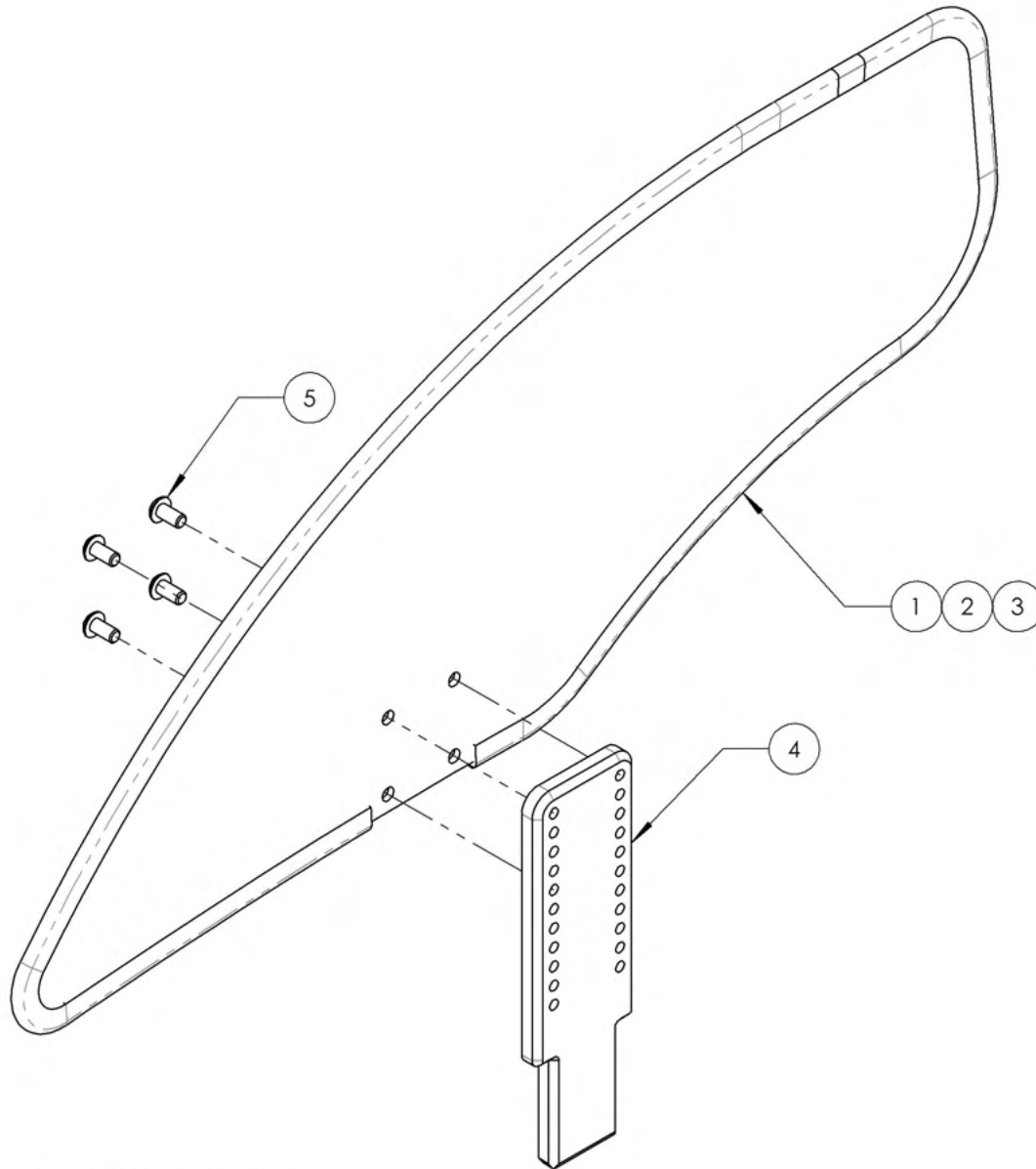


MAKE SURE TO HAVE YOUR SERIAL NUMBER NEARBY WHEN ORDERING PARTS FOR YOUR MOTION COMPOSITES WHEELCHAIR

9002492_9002494

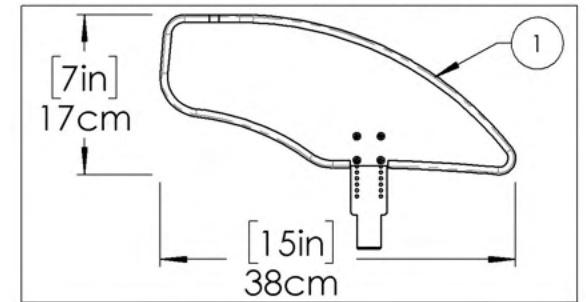
Side Guard - Carbon Fiber, Removable, Left,

ITEM NO.	PARTNO	DESCRIPTION	9002492 /QTY.	9002493 /QTY.	9002494 /QTY.
1	51213	SMALL AJUSTABLE CARBON FIBER SIDEGUARD, H-165mm L-372mm - ASSEMBLY	1	-	-
2	51214	MEDIUM AJUSTABLE CARBON FIBER SIDEGUARD, H-203mm L-372mm - ASSEMBLY	-	1	-
3	51215	LARGE AJUSTABLE CARBON FIBER SIDEGUARD, H-241mm L-372mm - ASSEMBLY	-	-	1
4	51118	MUDGUARD & SIDEGUARD ADJUSTING PLATE	1	1	1
5	90631	BUTTON HEAD CAP SCREW M4X0.7 X 8mm LONG, FULLY THREADED + BLUE THREADLOCKER - BLACK ZINC	4	4	4



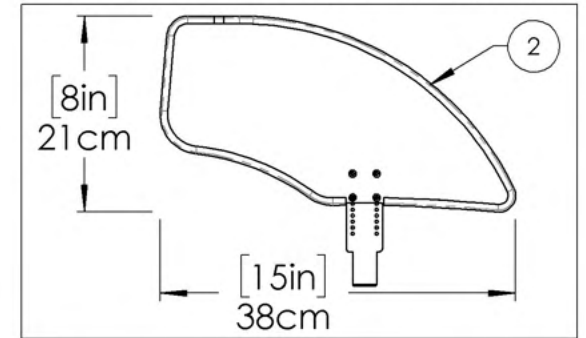
9002492

Side Guard - Carbon Fiber, Removable, Left, Small



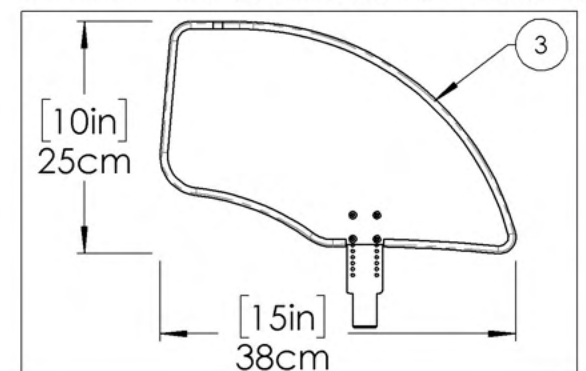
9002493

Side Guard - Carbon Fiber, Removable, Left, Medium



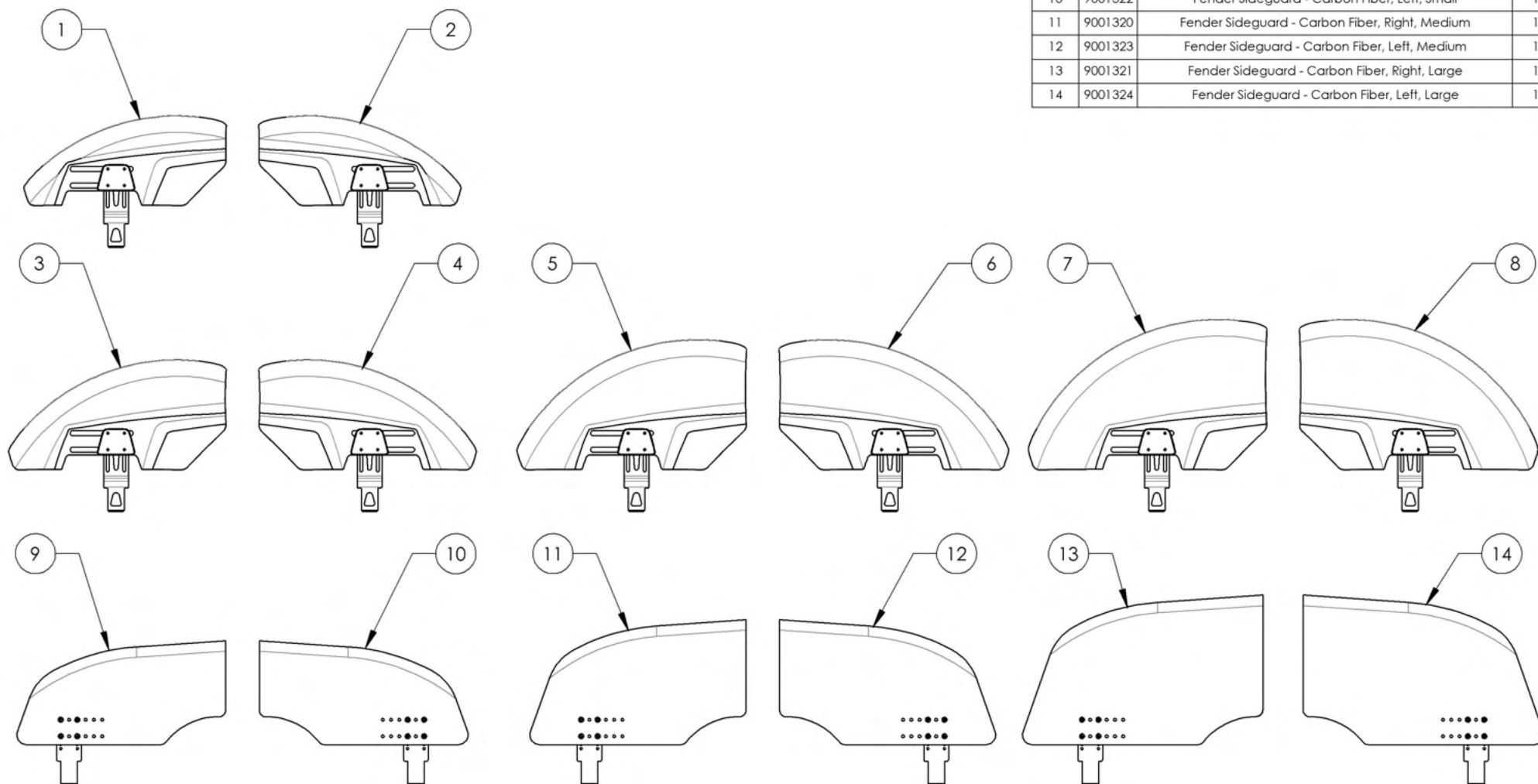
9002494

Side Guard - Carbon Fiber, Removable, Left, Large



MAKE SURE TO HAVE YOUR SERIAL NUMBER NEARBY WHEN ORDERING PARTS FOR YOUR MOTION COMPOSITES WHEELCHAIR

Sideguard Catalogue Fender Sideguards

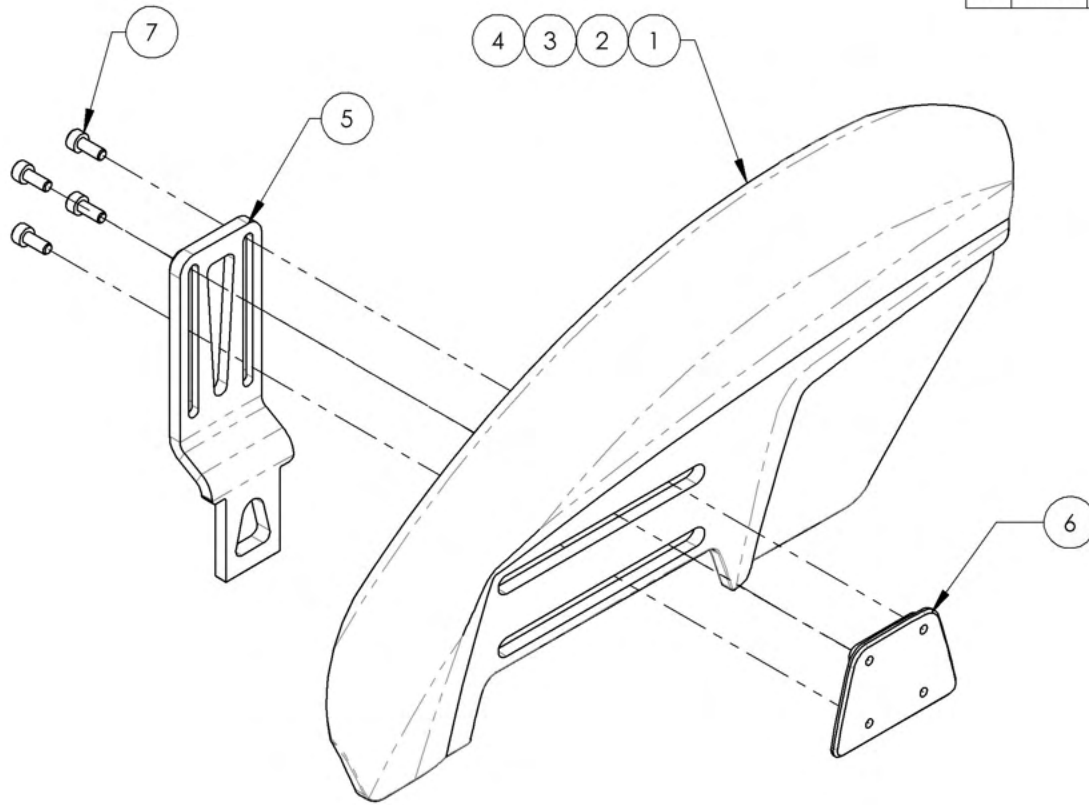


ITEM NO.	PARTNO	DESCRIPTION	QTY.
1	9007638	Fender Sideguard - Plastic, Offset, Right, X-Small	1
2	9007642	Fender Sideguard - Plastic, Offset, Left, X-Small	1
3	9007639	Fender Sideguard - Plastic, Offset, Right, Small	1
4	9007643	Fender Sideguard - Plastic, Offset, Left, Small	1
5	9007640	Fender Sideguard - Plastic, Offset, Right, Medium	1
6	9007644	Fender Sideguard - Plastic, Offset, Left, Medium	1
7	9007641	Fender Sideguard - Plastic, Offset, Right, Large	1
8	9007645	Fender Sideguard - Plastic, Offset, Left, Large	1
9	9001319	Fender Sideguard - Carbon Fiber, Right, Small	1
10	9001322	Fender Sideguard - Carbon Fiber, Left, Small	1
11	9001320	Fender Sideguard - Carbon Fiber, Right, Medium	1
12	9001323	Fender Sideguard - Carbon Fiber, Left, Medium	1
13	9001321	Fender Sideguard - Carbon Fiber, Right, Large	1
14	9001324	Fender Sideguard - Carbon Fiber, Left, Large	1

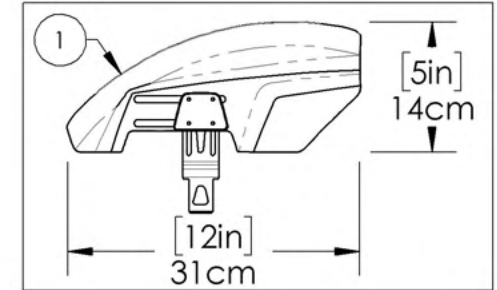
MAKE SURE TO HAVE YOUR SERIAL NUMBER
NEARBY WHEN ORDERING PARTS FOR YOUR
MOTION COMPOSITES WHEELCHAIR

9007638 9007641
Fender Sideguard - Plastic, Offset, Right

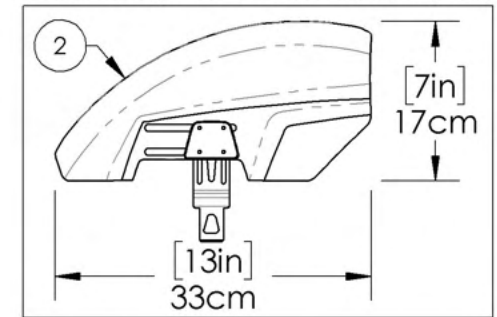
ITEM NO.	PARTNO	DESCRIPTION	9007638 /QTY.	9007639 /QTY.	9007640 /QTY.	9007641 /QTY.
1	51385	REMOVABLE FENDERED PLASTIC SIDEGUARDS X-SMALL, RIGHT	1	-	-	-
2	51386	REMOVABLE FENDERED PLASTIC SIDEGUARDS SMALL, RIGHT	-	1	-	-
3	51387	REMOVABLE FENDERED PLASTIC SIDEGUARDS MEDIUM, RIGHT	-	-	1	-
4	51388	REMOVABLE FENDERED PLASTIC SIDEGUARDS LARGE, RIGHT	-	-	-	1
5	51394	FENDERED SIDEGUARDS OFFSET ADJUSTING PLATE	1	1	1	1
6	51395	FENDERED SIDEGUARDS INNER PLATE	1	1	1	1
7	90724	SOCKET CAP SCREW M4X0.7 X 10mm LONG, FULLY THREADED + BLUE TREADLOCKER - BLACK ZINC	4	4	4	4



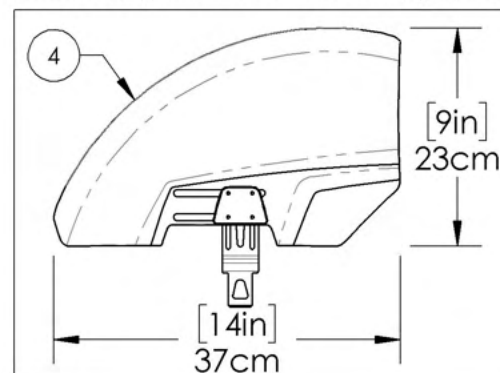
9007638
 Fender Sideguard - Plastic, Offset, Right,
 X-Small



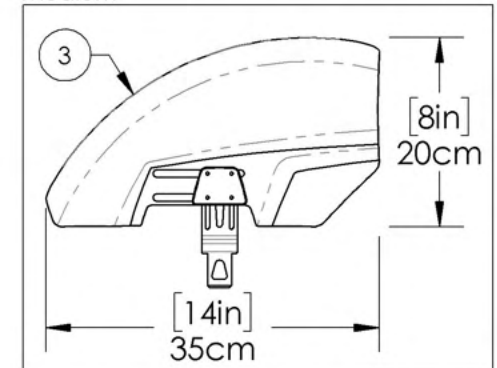
9007639
 Fender Sideguard - Plastic, Offset, Right, Small



9007641
 Fender Sideguard - Plastic, Offset, Right, Large

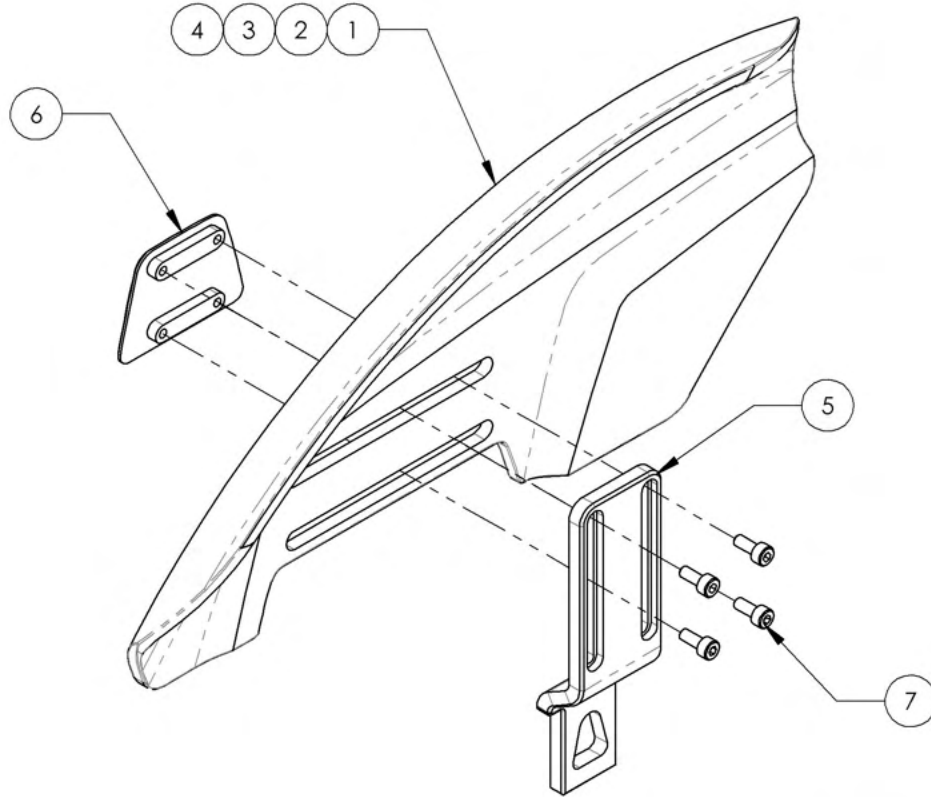


9007640
 Fender Sideguard - Plastic, Offset, Right,
 Medium



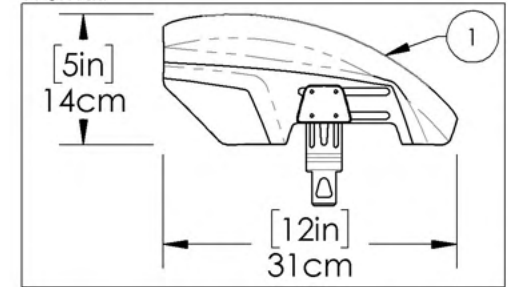
MAKE SURE TO HAVE YOUR SERIAL NUMBER
 NEARBY WHEN ORDERING PARTS FOR YOUR
 MOTION COMPOSITES WHEELCHAIR

9007642 9007645
Fender Sideguard - Plastic, Offset, Left

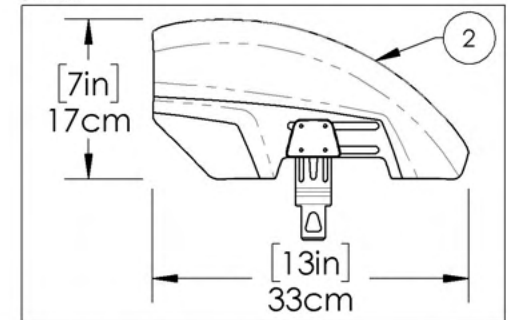


ITEM NO.	PARTNO	DESCRIPTION	9007642 /QTY.	9007643 /QTY.	9007644 /QTY.	9007645 /QTY.
1	51389	REMOVABLE FENDERED PLASTIC SIDEGUARDS X-SMALL, LEFT	1	-	-	-
2	51390	REMOVABLE FENDERED PLASTIC SIDEGUARDS SMALL, LEFT	-	1	-	-
3	51391	REMOVABLE FENDERED PLASTIC SIDEGUARDS MEDIUM, LEFT	-	-	1	-
4	51392	REMOVABLE FENDERED PLASTIC SIDEGUARDS LARGE, LEFT	-	-	-	1
5	51394	FENDERED SIDEGUARDS OFFSET ADJUSTING PLATE	1	1	1	1
6	51395	FENDERED SIDEGUARDS INNER PLATE	1	1	1	1
7	90724	SOCKET CAP SCREW M4X0.7 X 10mm LONG, FULLY THREADED + BLUE TREADLOCKER - BLACK ZINC	4	4	4	4

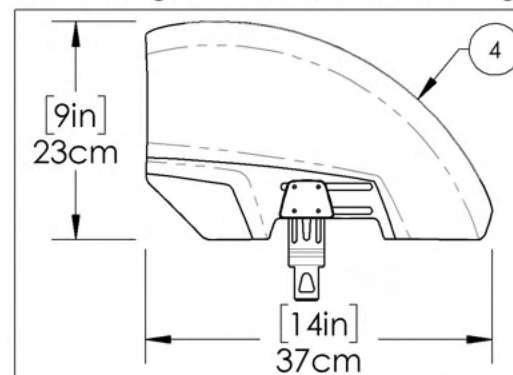
9007642
 Fender Sideguard - Plastic, Offset, Left, X-Small



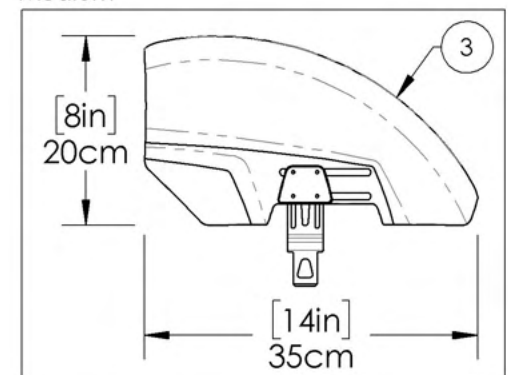
9007643
 Fender Sideguard - Plastic, Offset, Left, Small



9007645
 Fender Sideguard - Plastic, Offset, Left, Large



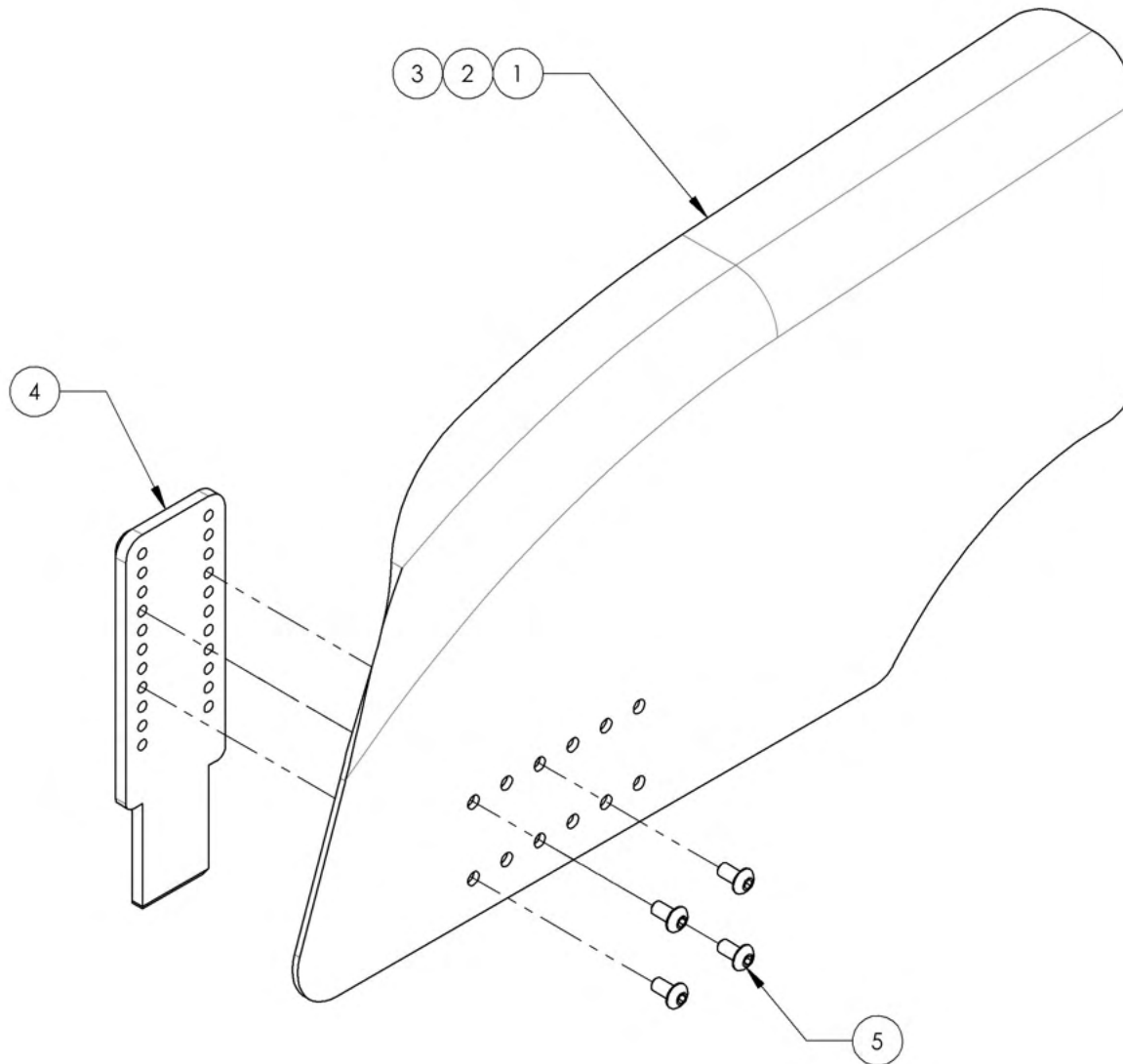
9007644
 Fender Sideguard - Plastic, Offset, Left, Medium



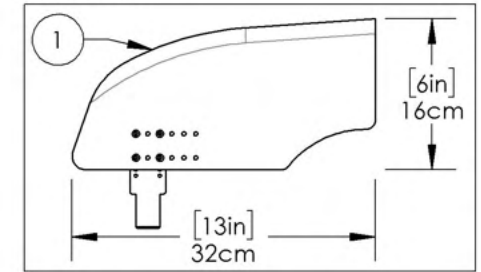
MAKE SURE TO HAVE YOUR SERIAL NUMBER NEARBY WHEN ORDERING PARTS FOR YOUR MOTION COMPOSITES WHEELCHAIR

9001319 9001321
Fender Sideguard - Carbon Fiber, Right

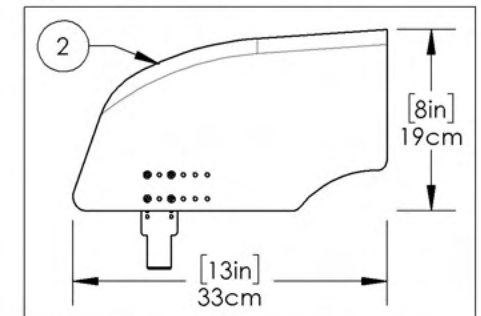
ITEM NO.	PART NO.	DESCRIPTION	9001319 /QTY.	9001320 /QTY.	9001321 /QTY.
1	51106	CARBON FENDER SIDEGUARD SMALL, RIGHT (H-160mm L-321mm)	1	-	-
2	51108	CARBON FENDER SIDEGUARD MEDIUM, RIGHT (H-192mm L-332mm)	-	1	-
3	51110	CARBON FENDER SIDEGUARD LARGE, RIGHT (H-230mm L-370mm)	-	-	1
4	51118	MUDGUARD & SIDEGUARD ADJUSTING PLATE	1	1	1
5	90631	BUTTON HEAD CAP SCREW M4X0.7 X 8mm LONG, FULLY THREADED + BLUE THREADLOCKER - BLACK ZINC	4	4	4



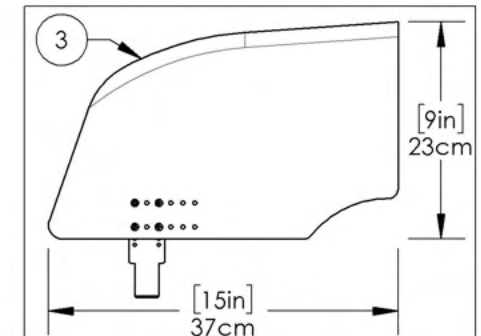
9001319
 Fender Sideguard - Carbon Fiber,
 Right, Small



9001320
 Fender Sideguard - Carbon Fiber,
 Right, Medium



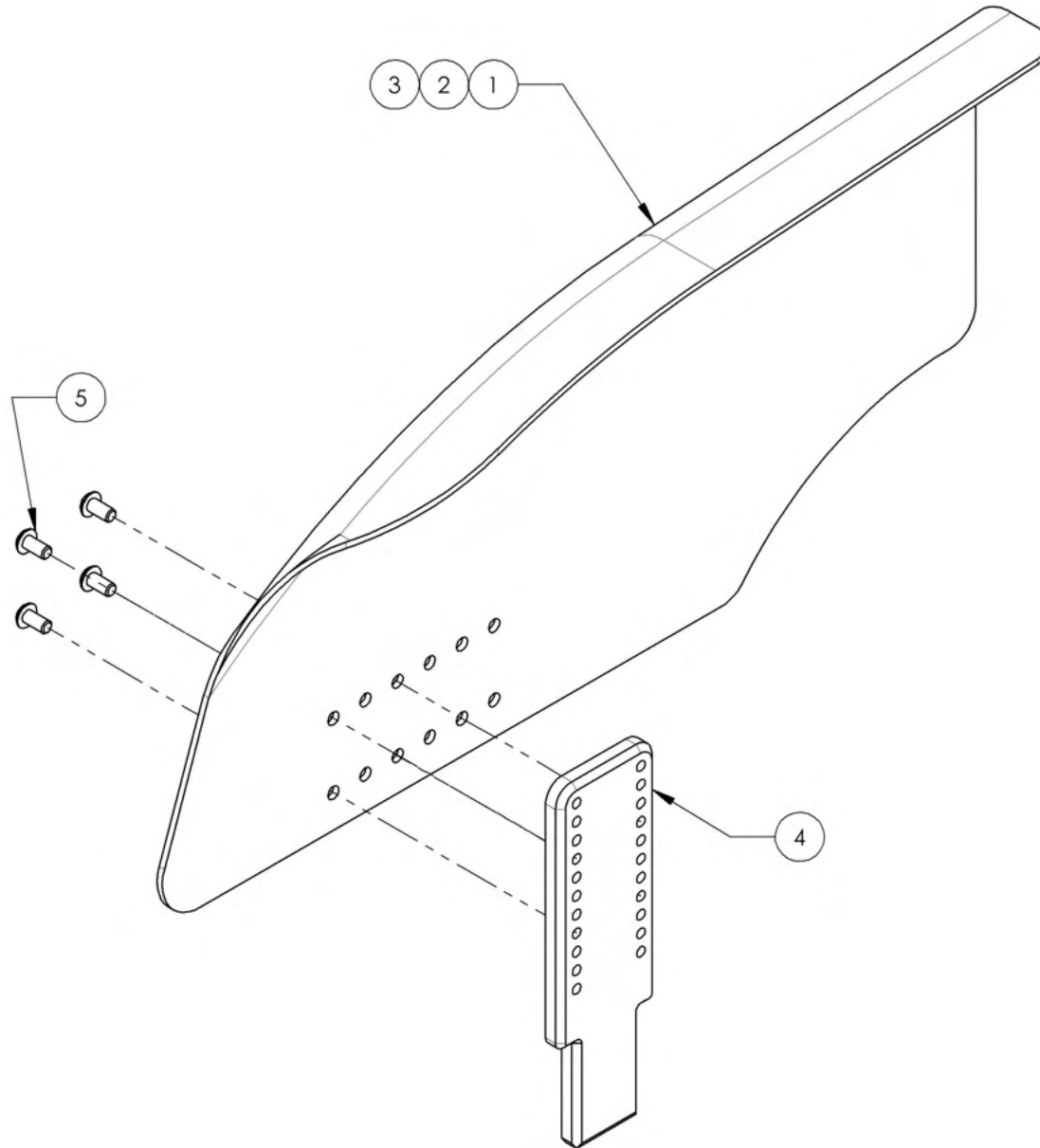
9001321
 Fender Sideguard - Carbon Fiber,
 Right, Large



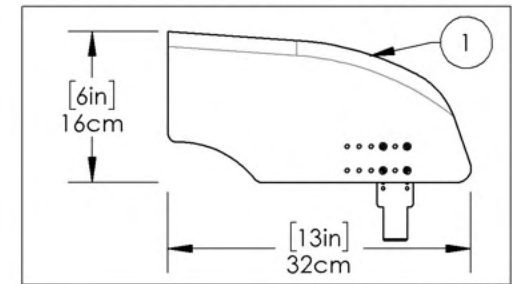
MAKE SURE TO HAVE YOUR SERIAL NUMBER
 NEARBY WHEN ORDERING PARTS FOR YOUR
 MOTION COMPOSITES WHEELCHAIR

9001322 9001324
Fender Sideguard - Carbon Fiber, Left

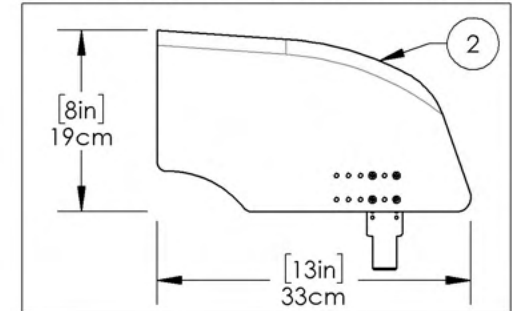
ITEM NO.	PART NO.	DESCRIPTION	9001322 /QTY.	9001323 /QTY.	9001324 /QTY.
1	51107	CARBON FENDER SIDEGUARD SMALL, LEFT (H-160mm L-321mm)	1	-	-
2	51109	CARBON FENDER SIDEGUARD MEDIUM, LEFT (H-192mm L-332mm)	-	1	-
3	51111	CARBON FENDER SIDEGUARD LARGE, LEFT (H-230mm L-370mm)	-	-	1
4	51118	MUDGUARD & SIDEGUARD ADJUSTING PLATE	1	1	1
5	90631	BUTTON HEAD CAP SCREW M4X0.7 X 8mm LONG, FULLY THREADED + BLUE THREADLOCKER - BLACK ZINC	4	4	4



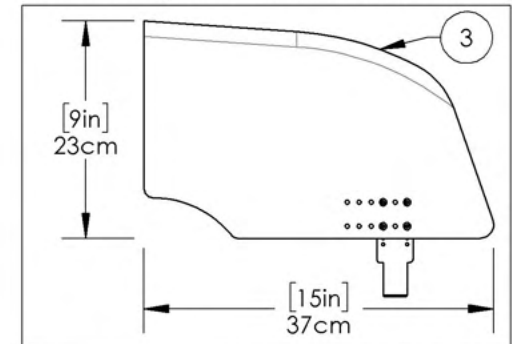
9001322
 Fender Sideguard - Carbon Fiber, Left, Small



9001323
 Fender Sideguard - Carbon Fiber, Left, Medium



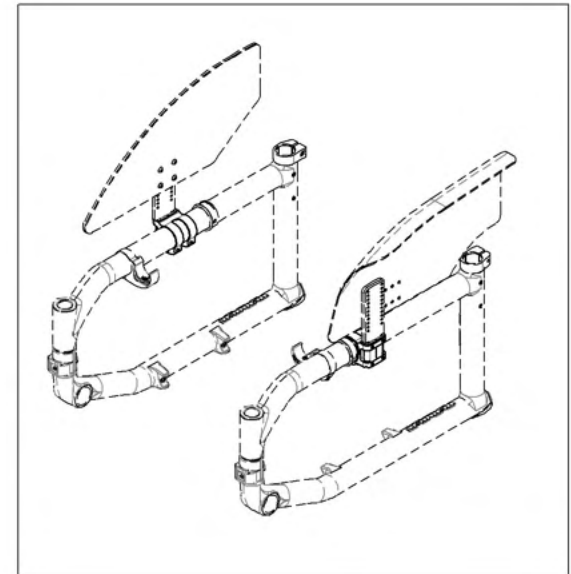
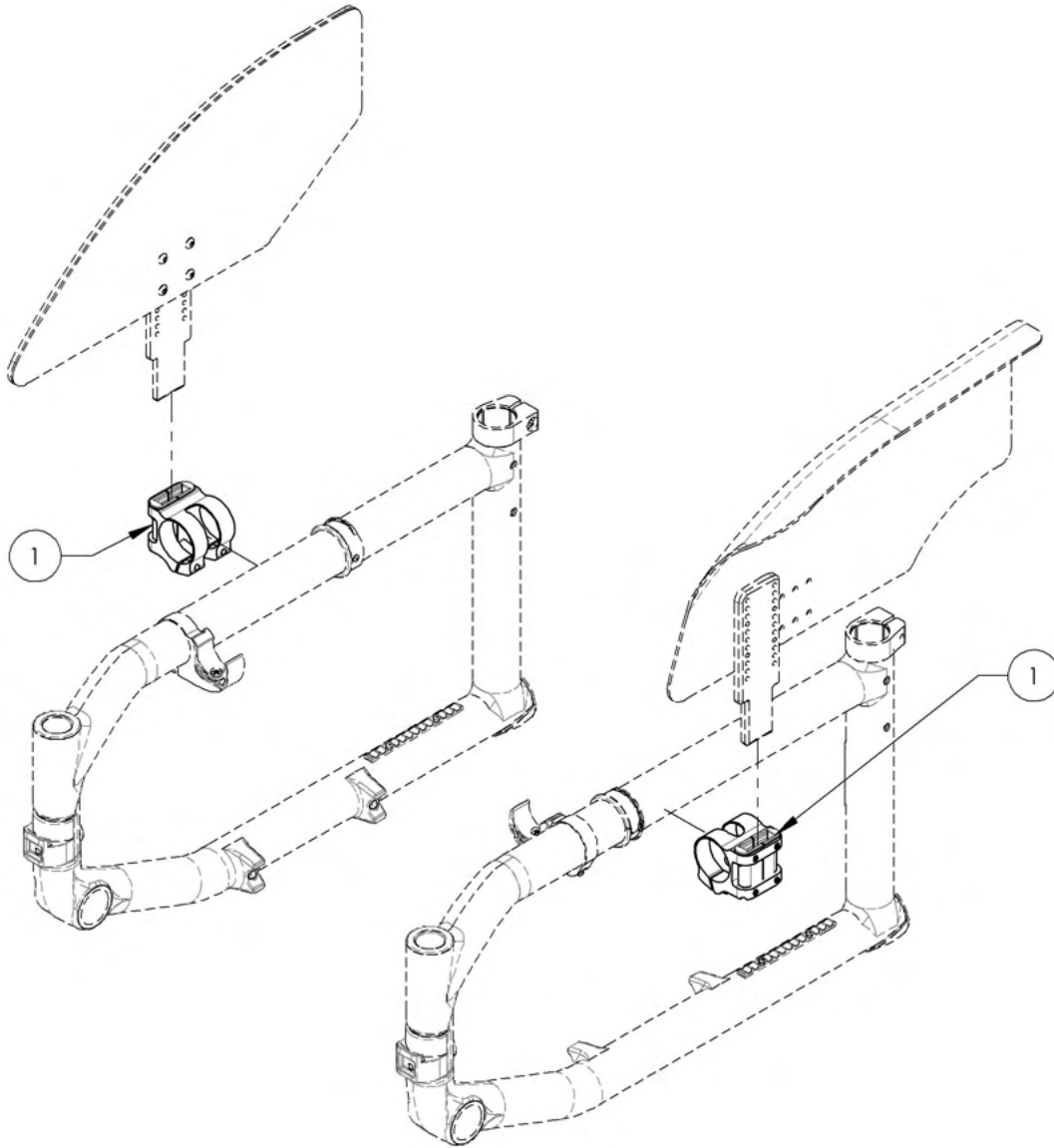
9001324
 Fender Sideguard - Carbon Fiber, Left, Large



MAKE SURE TO HAVE YOUR SERIAL NUMBER NEARBY WHEN ORDERING PARTS FOR YOUR MOTION COMPOSITES WHEELCHAIR

Sideguard Catalogue
Removable Sideguard & Mudguard Receivers

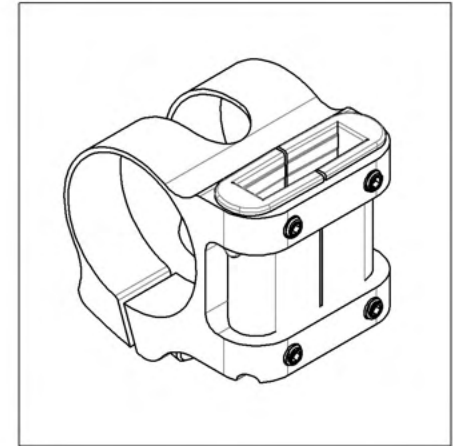
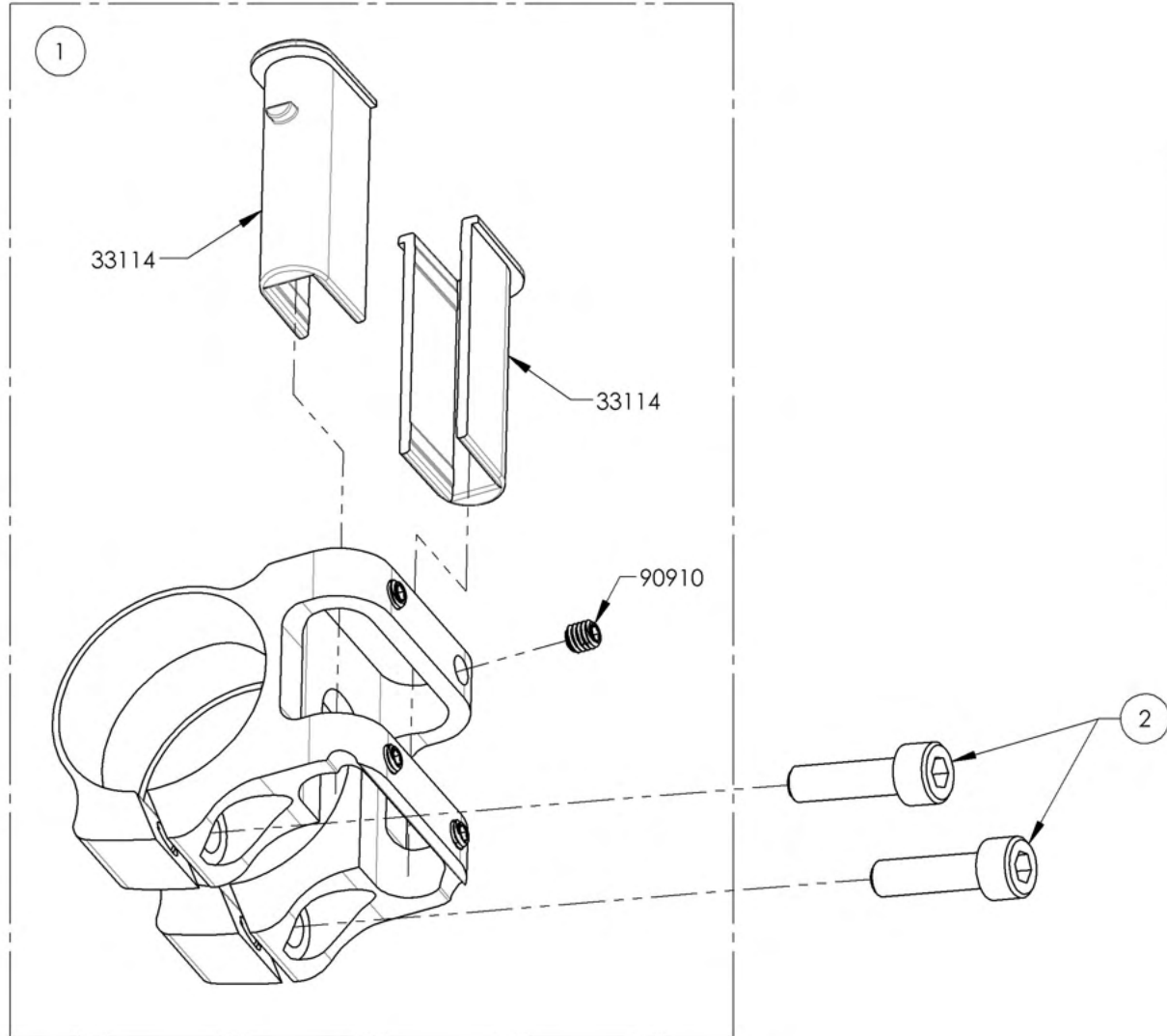
ITEM NO.	PARTNO	DESCRIPTION	QTY
1	9001327	Removable Mud Guard & Side Guard - Receiver	2



MAKE SURE TO HAVE YOUR SERIAL NUMBER
 NEARBY WHEN ORDERING PARTS FOR YOUR
 MOTION COMPOSITES WHEELCHAIR

9001327
Removable Mud Guard & Side Guard - Receiver

ITEM NO.	PARTNO	DESCRIPTION	9001327 /QTY.
1	33557	V2 SIDEGUARD RECEIVER - ASSEMBLY	1
2	90748	SOCKET CAP SCREW M5X0.8 X 18mm LONG, FULLY THREADED + BLUE TREADLOCKER - BLACK ZINC	2



MAKE SURE TO HAVE YOUR SERIAL NUMBER
NEARBY WHEN ORDERING PARTS FOR YOUR
MOTION COMPOSITES WHEELCHAIR

Sideguard Catalogue
Sideguards - Cloth

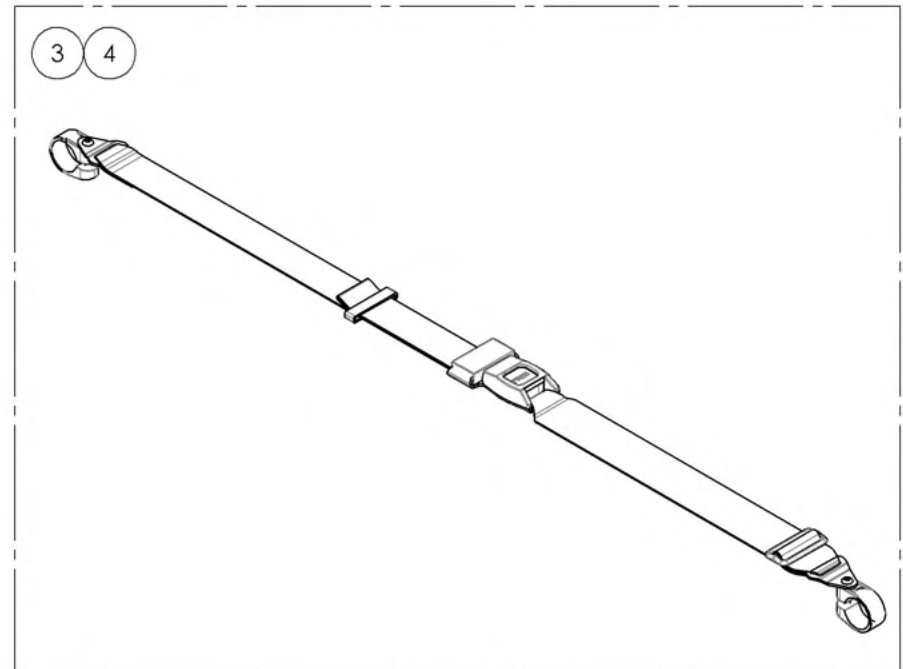
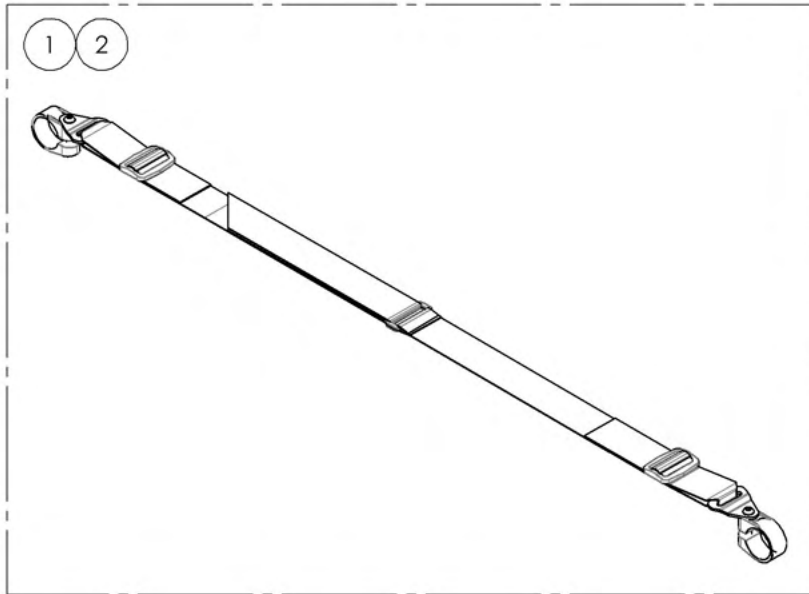
ITEM NO.	PARTNO	DESCRIPTION	QTY
1	9002523	Side Guard - Clothes	1



MAKE SURE TO HAVE YOUR SERIAL NUMBER
NEARBY WHEN ORDERING PARTS FOR YOUR
MOTION COMPOSITES WHEELCHAIR

**Seabelt Catalogue
Positioning Seatbelts**

ITEM NO.	PARTNO	DESCRIPTION	QTY.
1	9001587	Positioning Seatbelt - Velcro Adjustable 35 in	1
2	9002138	Positioning Seatbelt - Velcro Adjustable 60 in	1
3	9001588	Positioning Seatbelt - Auto Buckle 35 in	1
4	9002139	Positioning Seatbelt - Auto Buckle 60 in	1



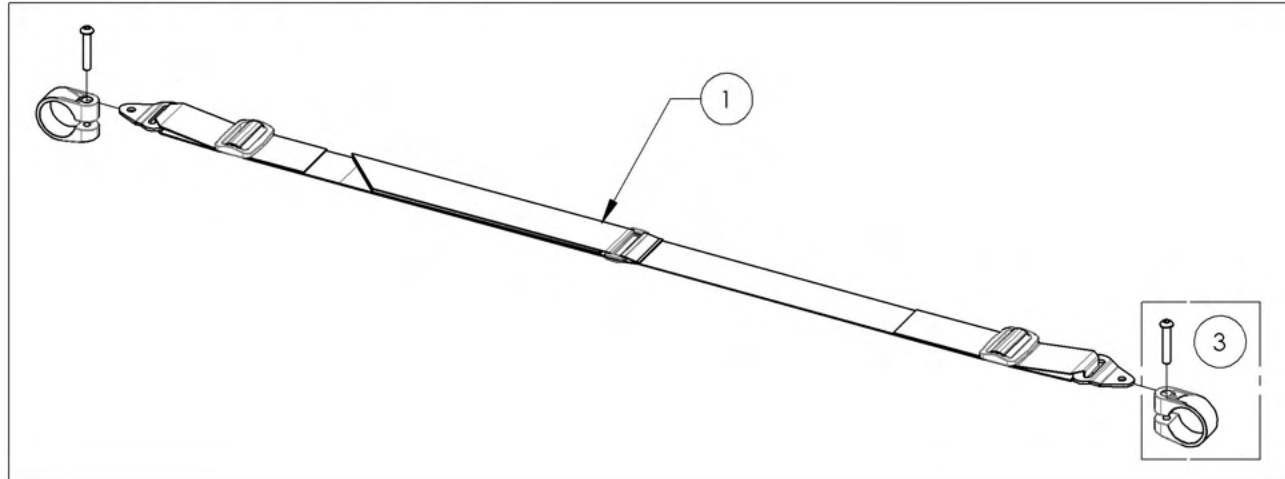
BOTH ITEMS ALREADY INCLUDE THE APPROPRIATE
NUMBER OF COMPOSITE CLAMPS

MAKE SURE TO HAVE YOUR SERIAL NUMBER
NEARBY WHEN ORDERING PARTS FOR YOUR
MOTION COMPOSITES WHEELCHAIR

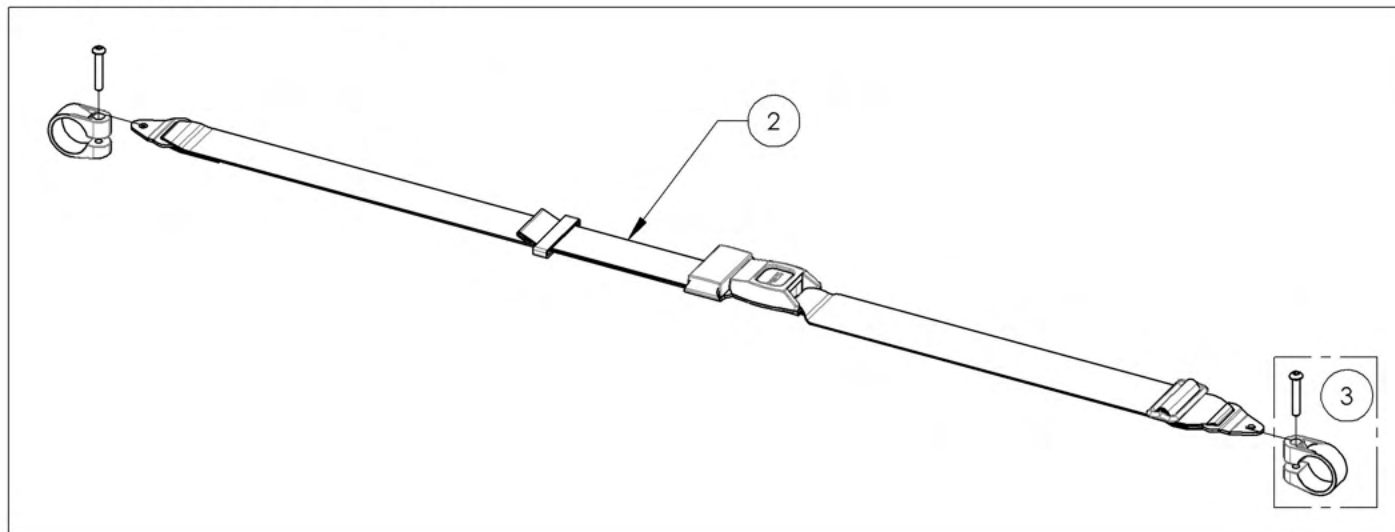
9001587_9001588
Positioning Seatbelts 35 in

ITEM NO.	PARTNO	DESCRIPTION	9001587 /QTY.	9001588 /QTY.
1	51589	VELCRO SEATBELT 35in - ASSEMBLY	1	-
2	51027	POSITIONNING SEAT BELT ASSEMBLY	-	1
3	60500	FRAME SAVER ASSEMBLY (PAIR)	1	1

9001587
 Positioning Seatbelt - Velcro Adjustable 35 in



9001588
 Positioning Seatbelt - Auto Buckle 35 in



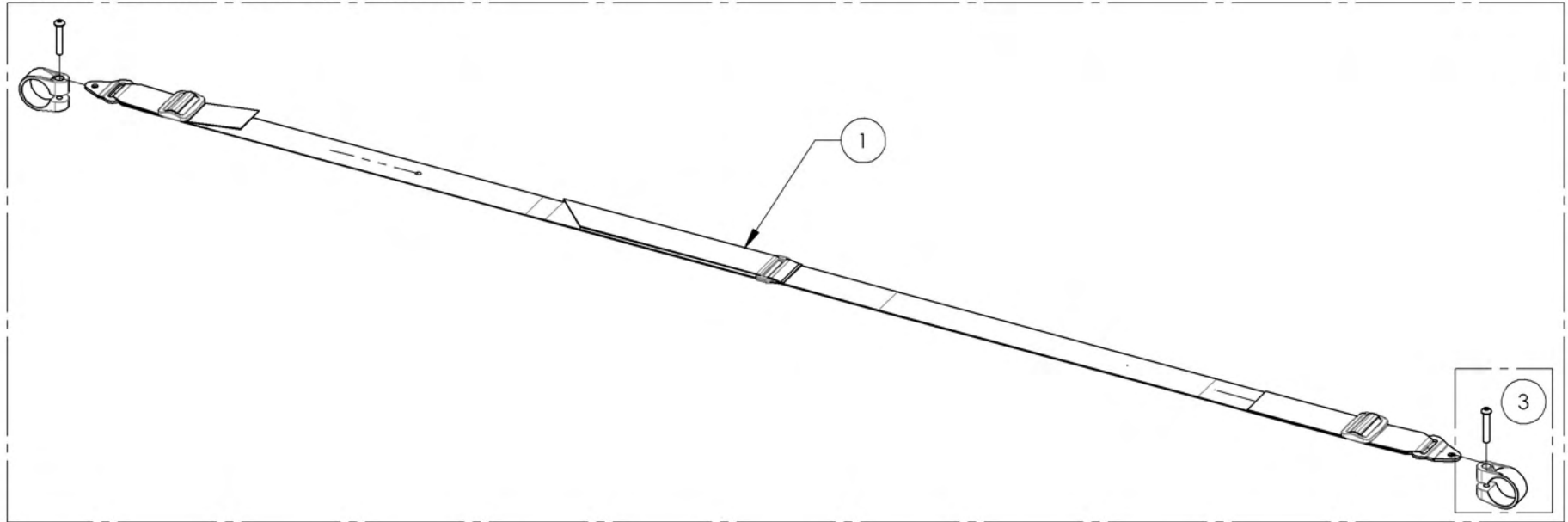
MAKE SURE TO HAVE YOUR SERIAL NUMBER
 NEARBY WHEN ORDERING PARTS FOR YOUR
 MOTION COMPOSITES WHEELCHAIR

9002138_9002139
Positioning Seatbelts 60 in

ITEM NO.	PARTNO	DESCRIPTION	9002138 /QTY.	9002139 /QTY.
1	51584	VELCRO SEATBELT 60in - ASSEMBLY	1	-
2	51583	POSITIONNING SEAT BELT 60in - ASSEMBLY	-	1
3	60500	FRAME SAVER ASSEMBLY (PAIR)	1	1

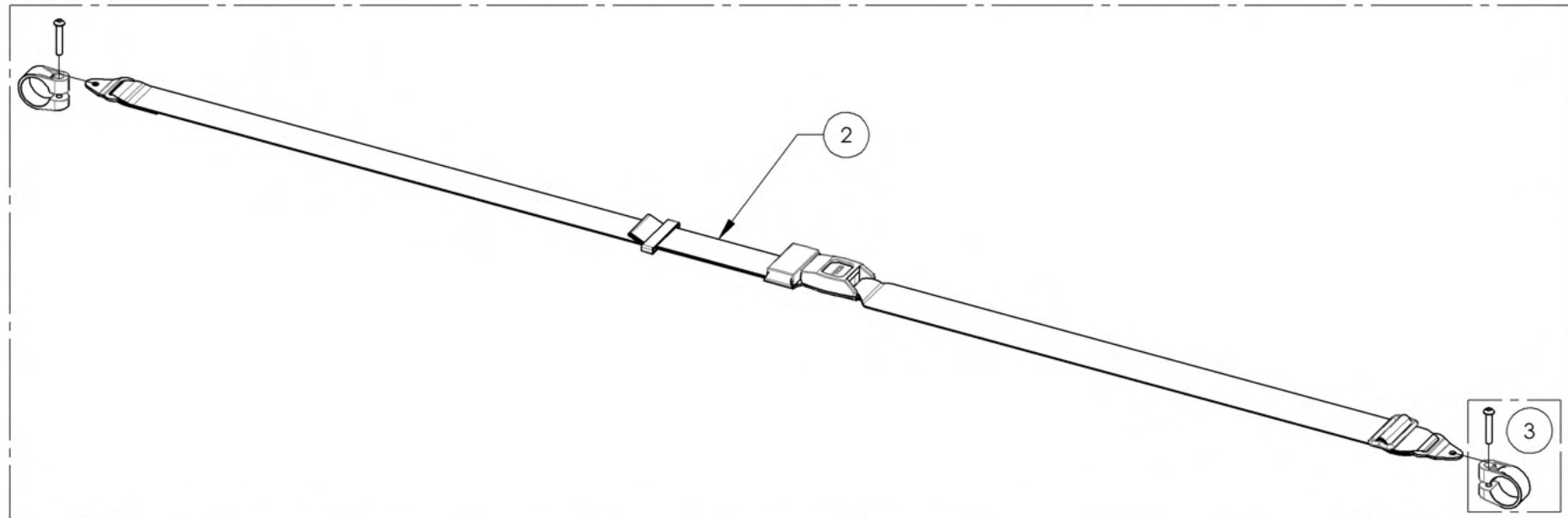
9002138

Positioning Seatbelt - Velcro Adjustable 60 in



9002139

Positioning Seatbelt - Auto Buckle 60 in



MAKE SURE TO HAVE YOUR SERIAL NUMBER
 NEARBY WHEN ORDERING PARTS FOR YOUR
 MOTION COMPOSITES WHEELCHAIR

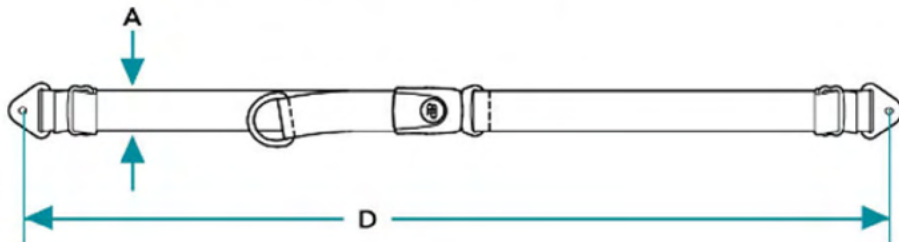
Seatbelts Catalogue
Positioning Seatbelts - Bodypoint

ITEMS 1-8 ALREADY INCLUDE THE APPROPRIATE
 NUMBER OF COMPOSITE CLAMPS

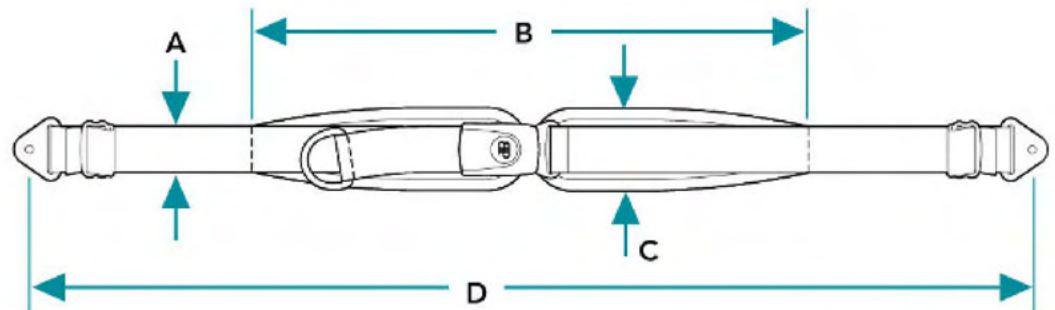


Item#	Part#	Description	A	B	C	D
1	9002221	Positioning Seatbelt - Bodypoint 2 Point, Non-Padded, Medium	4cm (1 ½")	-	-	142cm (56")
2	9002222	Positioning Seatbelt - Bodypoint 2 Point, Non-Padded, Large	5cm (2")	-	-	155cm (61")
3	9002223	Positioning Seatbelt - Bodypoint 2 Point, Padded, Small	4cm (1 ½")	36cm (14")	5.5cm (2 ¼")	130cm (51")
4	9002224	Positioning Seatbelt - Bodypoint 2 Point, Padded, Medium	4cm (1 ½")	46cm (18")	5.5cm (2 ¼")	142cm (56")
5	9002225	Positioning Seatbelt - Bodypoint 2 Point, Padded, Large	5cm (2")	62cm (24 ½")	7cm (2 ¾")	155cm (61")
6	9002226	Positioning Seatbelt - Bodypoint 4 Point, Padded, Small	4cm (1 ½")	36cm (14")	5.5cm (2 ¼")	130cm (51")
7	9002227	Positioning Seatbelt - Bodypoint 4 Point, Padded, Medium	4cm (1 ½")	46cm (18")	5.5cm (2 ¼")	142cm (56")
8	9002228	Positioning Seatbelt - Bodypoint 4 Point, Padded, Large	5cm (2")	62cm (24 ½")	7cm (2 ¾")	155cm (61")

Non-Padded Hip Belts



Padded Hip Belts



MAKE SURE TO HAVE YOUR SERIAL NUMBER
 NEARBY WHEN ORDERING PARTS FOR YOUR
 MOTION COMPOSITES WHEELCHAIR

9002221_9002228
Positioning Seatbelts - Bodypoint

ITEM NO.	PARTNO	DESCRIPTION	9002221 /QTY.	9002222 /QTY.	9002223 /QTY.	9002224 /QTY.	9002225 /QTY.	9002226 /QTY.	9002227 /QTY.	9002228 /QTY.	REPLACEMENT PART/QTY.
1	51131	POSITIONING SEATBELT - BODYPOINT 2 POINT, NON PADDED MEDIUM	1	-	-	-	-	-	-	-	-
2	51211	POSITIONING SEATBELT - BODYPOINT 2 POINT, NON PADDED LARGE	-	1	-	-	-	-	-	-	-
3	51132	POSITIONING SEATBELT - BODYPOINT 2 POINT, PADDED SMALL	-	-	1	-	-	-	-	-	-
4	51133	POSITIONING SEATBELT - BODYPOINT 2 POINT, PADDED MEDIUM	-	-	-	1	-	-	-	-	-
5	51134	POSITIONING SEATBELT - BODYPOINT 2 POINT, PADDED LARGE	-	-	-	-	1	-	-	-	-
6	51212	POSITIONING SEATBELT - BODYPOINT 4 POINT, PADDED SMALL	-	-	-	-	-	1	-	-	-
7	51135	POSITIONING SEATBELT - BODYPOINT 4 POINT, PADDED MEDIUM	-	-	-	-	-	-	1	-	-
8	51136	POSITIONING SEATBELT - BODYPOINT 4 POINT, PADDED LARGE	-	-	-	-	-	-	-	1	-
9	60500	FRAME SAVER ASSEMBLY (PAIR)	1	1	1	1	1	2	2	2	1

9002221 To 9002222
 Positioning Seatbelt - Bodypoint 2 Point,
 Non Padded, Medium, Large



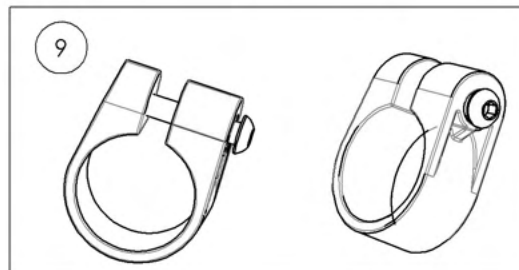
9002223 To 9002225
 Positioning Seatbelt - Bodypoint 2 Point,
 Padded, Small, Medium, Large



9002226 To 9002228
 Positioning Seatbelt - Bodypoint 4 Point,
 Padded, Small, Medium, Large



+



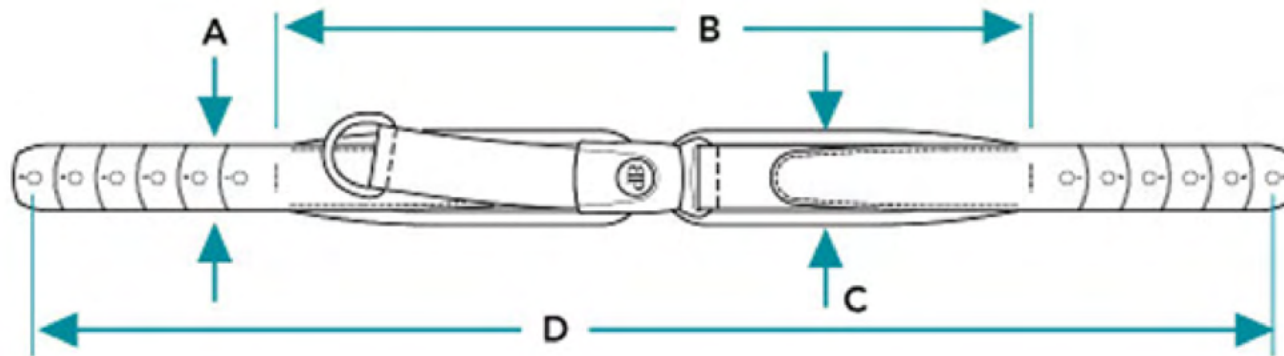
MAKE SURE TO HAVE YOUR SERIAL NUMBER
 NEARBY WHEN ORDERING PARTS FOR YOUR
 MOTION COMPOSITES WHEELCHAIR



ALL ITEMS ALREADY INCLUDE A PAIR OF CLAMPS



Item#	Part#	Description	A	B	C	D
1	9007790	Hip Belt - Bodypoint Evoflex, Rehab Latch, Medium 46cm (18in)	2.5cm (1")	38cm (15")	5cm (2")	63cm (24 ¾")
2	9007791	Hip Belt - Bodypoint Evoflex, Rehab Latch, Large 62cm (24in)	4cm (1 ½")	46cm (18")	5.5cm (2 ¼")	76cm (29 ¾")
3	9007792	Hip Belt - Bodypoint Evoflex, Swivel, Small 38cm (15in)	4cm (1 ½")	46cm (18")	5.5cm (2 ¼")	76cm (29 ¾")
4	9007793	Hip Belt - Bodypoint Evoflex, Swivel, Medium 46cm (18in)	5cm (2")	62cm (24 ½")	7cm (2 ¾")	96cm (37 ¾")



MAKE SURE TO HAVE YOUR SERIAL NUMBER NEARBY WHEN ORDERING PARTS FOR YOUR MOTION COMPOSITES WHEELCHAIR

9007790_9007793
Hip Belt - Bodypoint Evoflex



ITEM NO.	PARTNO	DESCRIPTION	9007790 /QTY.	9007791 /QTY.	9007792 /QTY.	9007793 /QTY.
1	51417	BODYPOINT HIP BELT EVOFLEX REHAB LATCH M46	1	-	-	-
2	51418	BODYPOINT HIP BELT EVOFLEX REHAB LATCH L62	-	1	-	-
3	51415	BODYPOINT HIP BELT EVOFLEX SWIVEL S38	-	-	1	-
4	51416	BODYPOINT HIP BELT EVOFLEX SWIVEL M46	-	-	-	1
5	51419	BODYPOINT BAND CLAMP 32mm (PAIR)	1	1	1	1

9007790 & 9007791
 Hip Belt - Bodypoint Evoflex, Rehab Latch
 Medium 46cm (18in) & Large 62cm (24in)

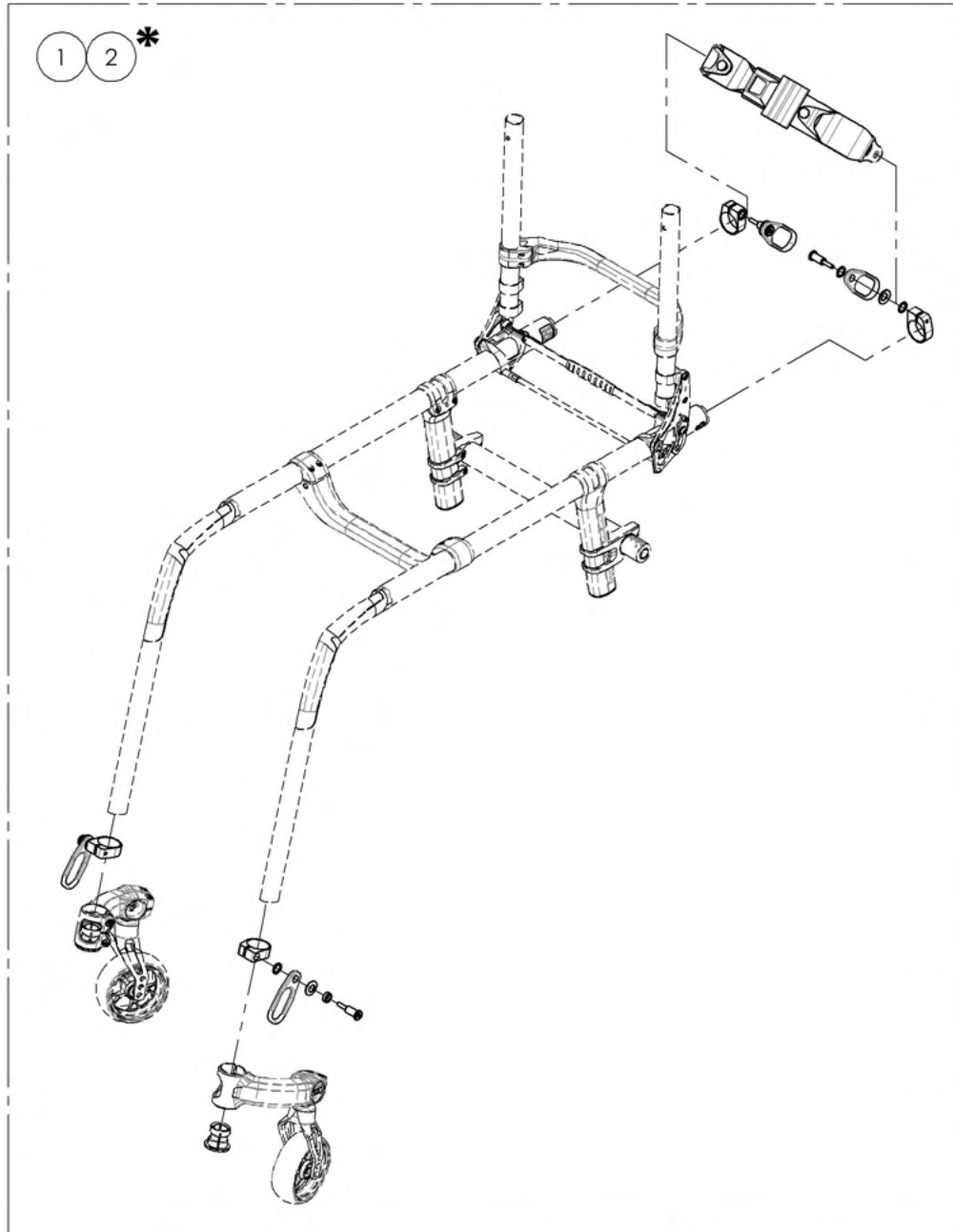
9007792 & 9007793
 Hip Belt - Bodypoint Evoflex, Swivel
 Small 38cm (15in) & Medium 46cm (18in)



MAKE SURE TO HAVE YOUR SERIAL NUMBER
 NEARBY WHEN ORDERING PARTS FOR YOUR
 MOTION COMPOSITES WHEELCHAIR

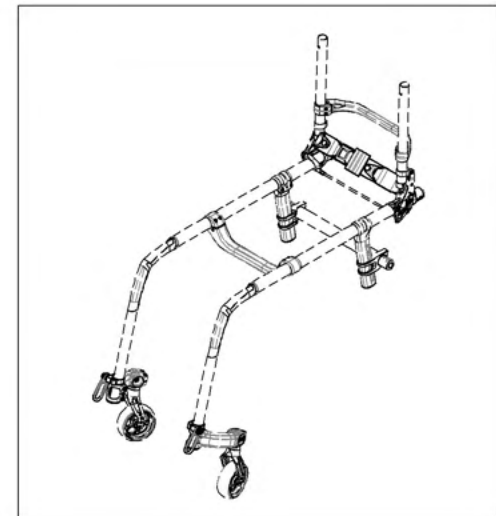
**Seatbelt Catalogue
WC-19 Auto Buckle**

ITEM NO.	PARTNO	DESCRIPTION	QTY
1*	9003093	WC-19 - Apex Frame, Seatbelt, Short, 20-41 in	1
2*	9003094	WC-19 - Apex Frame, Seatbelt, Long, 20-46 in	1



***NOTE: WC-19 UPGRADE MUST BE PURCHASED AND SELECTED WITH WHEELCHAIR ORDERS ONLY. (SPECIAL ADJUSTMENT REQUIRED)**

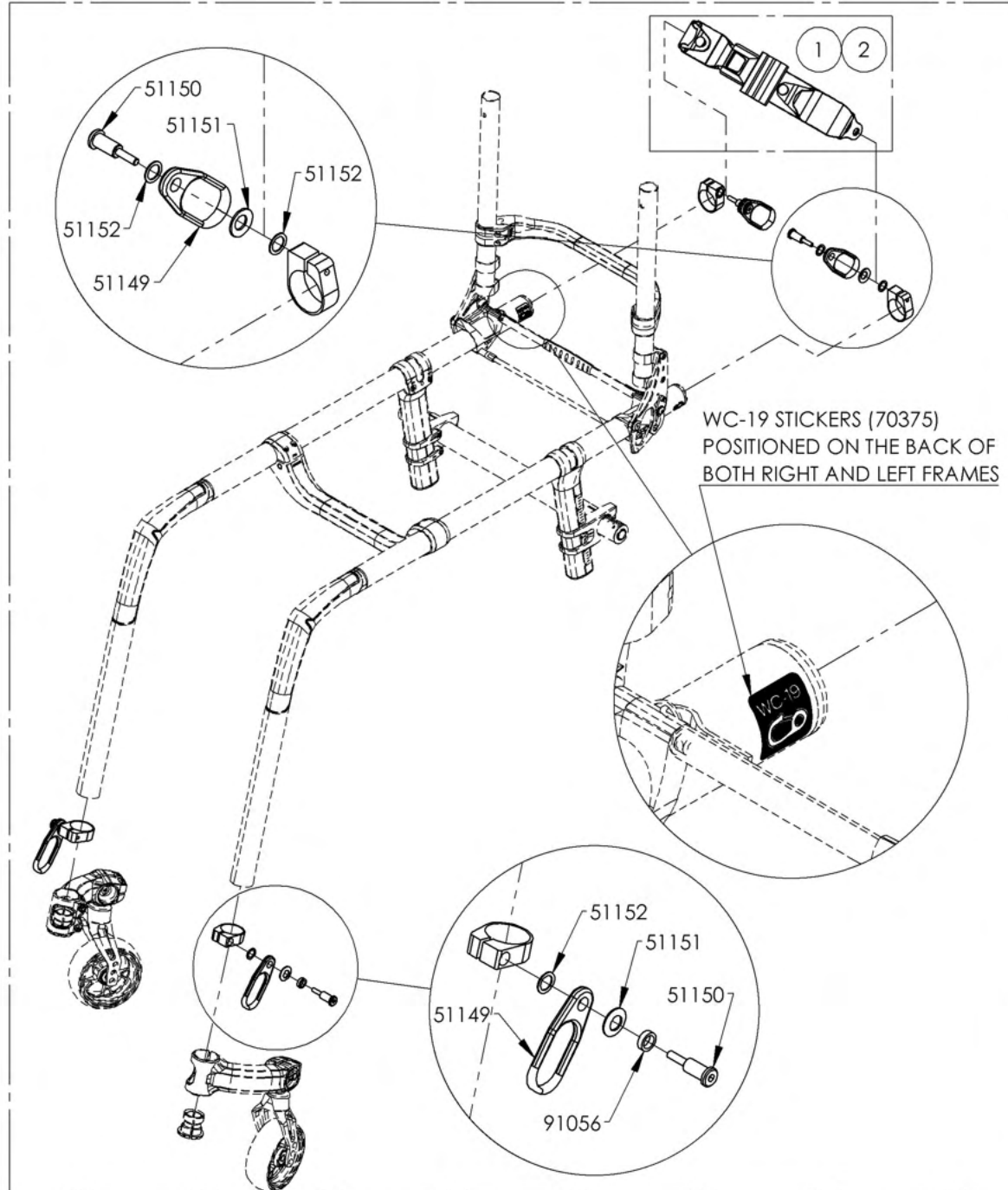
ONLY WC-19 POSITIONING SEATBELTS AND HARDWARES ARE AVAILABLE FOR PARTS ORDERS.



MAKE SURE TO HAVE YOUR SERIAL NUMBER NEARBY WHEN ORDERING PARTS FOR YOUR MOTION COMPOSITES WHEELCHAIR

9003093_9003094
WC-19 - Apex Frame, Seatbelt

ITEM NO.	PARTNO	DESCRIPTION	REPLACEMENT PARTS/QTY.
1	51536	WC-19 SEATBELT SHORT - ASSEMBLY	1
2	51500	WC-19 SEATBELT LONG - ASSEMBLY	1



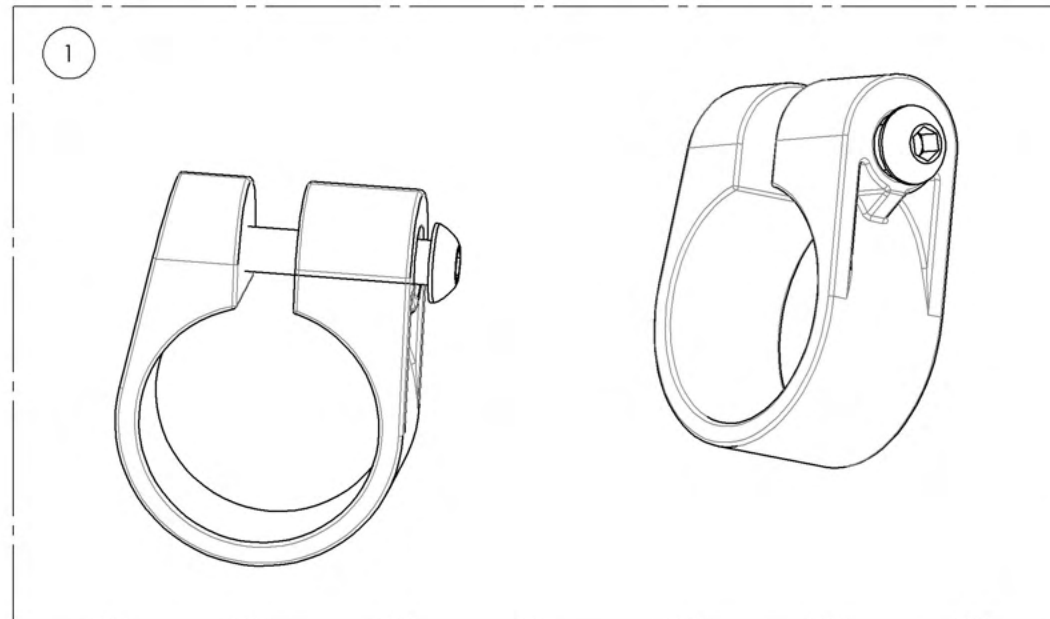
WC-19 UPGRADE MUST BE PURCHASED AND
 SELECTED WITH WHEELCHAIR ORDERS.
 (SPECIAL ADJUSTMENT REQUIRED)

ONLY WC-19 POSITIONING SEATBELT AND
 HARDWARES ARE AVAILABLE FOR PARTS ORDERS

MAKE SURE TO HAVE YOUR SERIAL NUMBER
 NEARBY WHEN ORDERING PARTS FOR YOUR
 MOTION COMPOSITES WHEELCHAIR

Seatbelt Catalogue
Positioning Seatbelts - Additional Hardware (2 Composite Clamps)

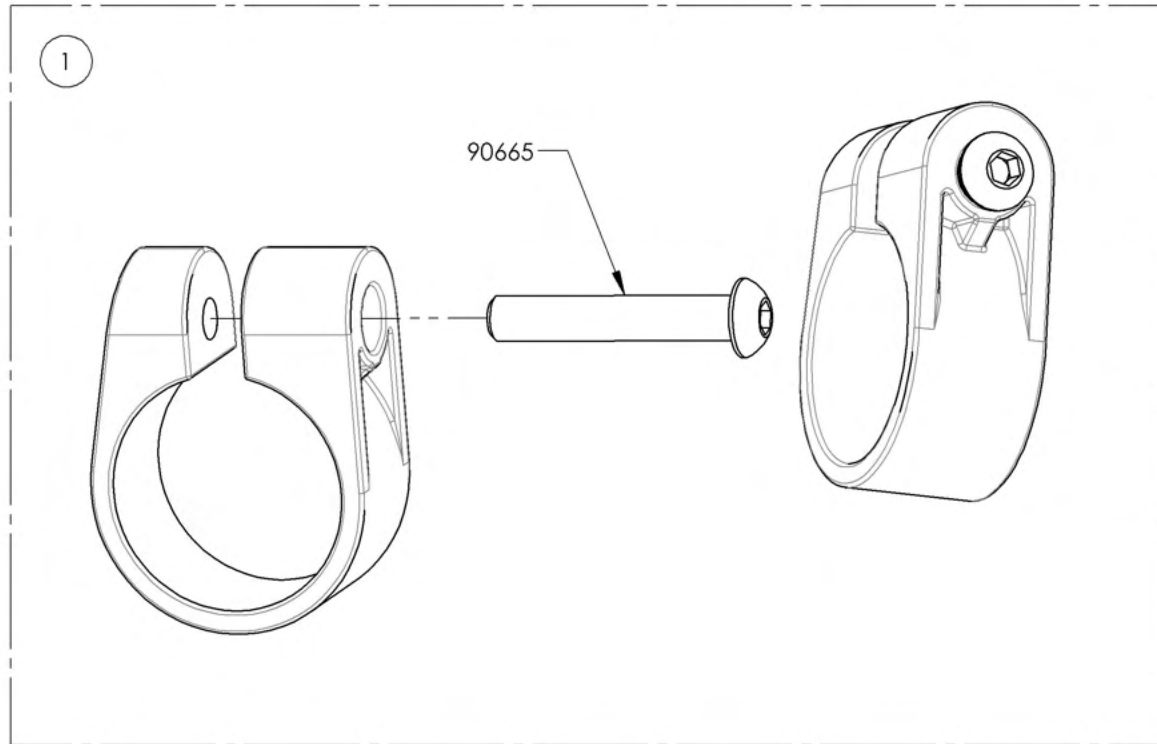
ITEM NO.	PARTNO	DESCRIPTION	QTY.
1	9002220	Positioning Seatbelt - Additional Hardware (2 Composite Clamps)	1



MAKE SURE TO HAVE YOUR SERIAL NUMBER
NEARBY WHEN ORDERING PARTS FOR YOUR
MOTION COMPOSITES WHEELCHAIR

9002220
Positioning Seatbelts - Additional Hardware (2 Composite Clamps)

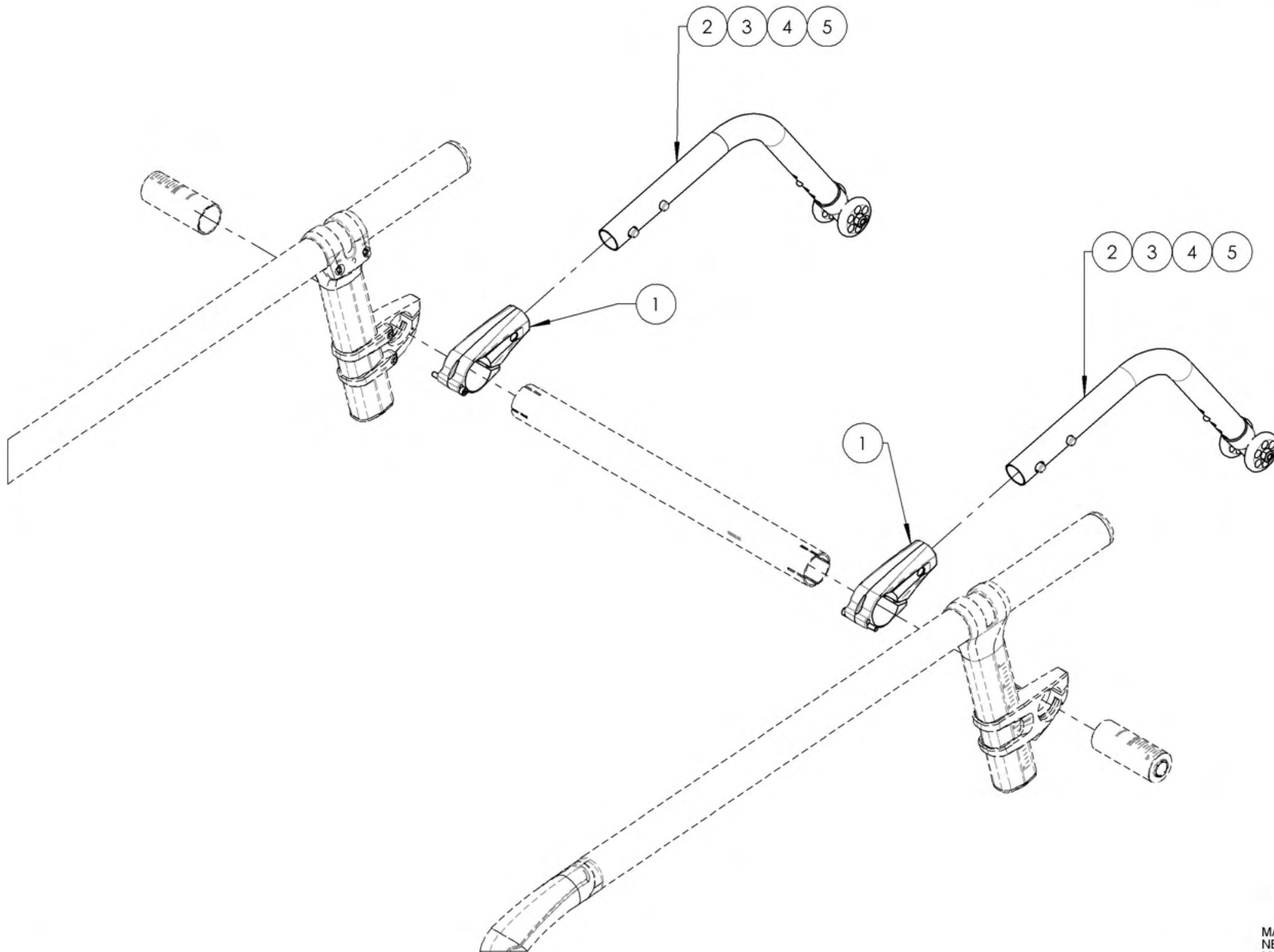
ITEM NO.	PARTNO	DESCRIPTION	9002220 /QTY.
1	60500	FRAME SAVER ASSEMBLY (PAIR)	1



MAKE SURE TO HAVE YOUR SERIAL NUMBER
NEARBY WHEN ORDERING PARTS FOR YOUR
MOTION COMPOSITES WHEELCHAIR

**Accessories Catalogue
Anti-tippers & Receiver**

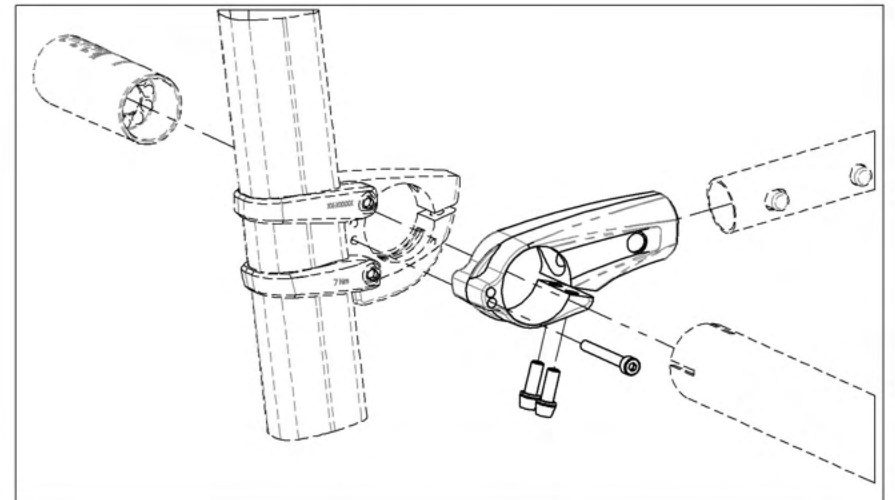
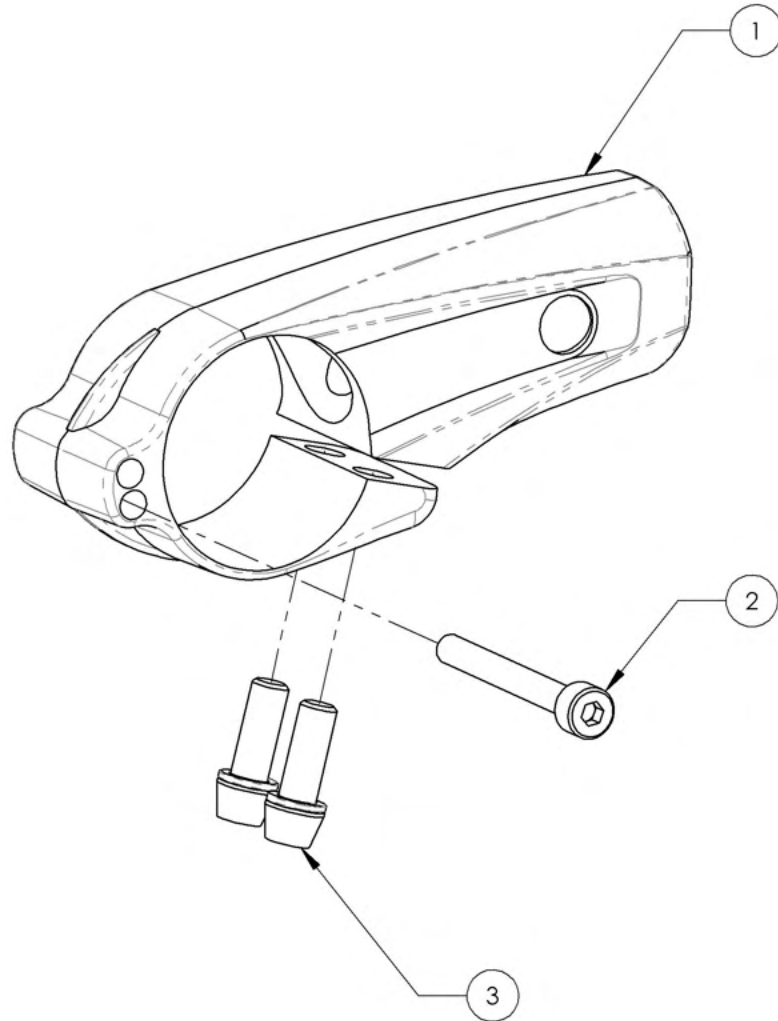
ITEM NO.	PARTNO	DESCRIPTION	QTY
1	9003662	Anti-Tipper - Receiver	2
2	9003658	Anti-Tipper Small + Short Extension	2
3	9003659	Anti-Tipper Small + Long Extension	2
4	9003660	Anti-Tipper Large + Short Extension	2
5	9003661	Anti-Tipper Large + Long Extension	2



MAKE SURE TO HAVE YOUR SERIAL NUMBER
NEARBY WHEN ORDERING PARTS FOR YOUR
MOTION COMPOSITES WHEELCHAIR

9003662
Anti-Tipper - Receiver

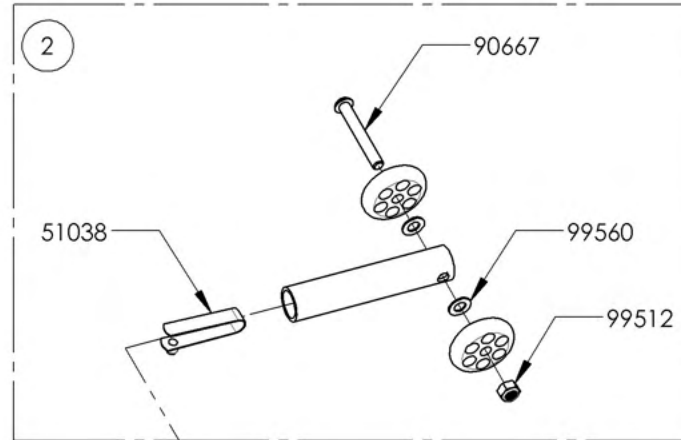
ITEM NO.	PARTNO	DESCRIPTION	9003662 /QTY.
1	51310	FIXED FRAME ANTI-TIPPER RECEIVER	1
2	90733	SOCKET CAP SCREW M4X0.7 X 35mm LONG, 20mm THREADED + BLUE TREADLOCKER - BLACK ZINC	1
3	92024	TAPER HEAD CAP SCREW+WASHER M5X0.8 X 14mm LONG, FULLY THREADED + BLUE THREADLOCKER	2



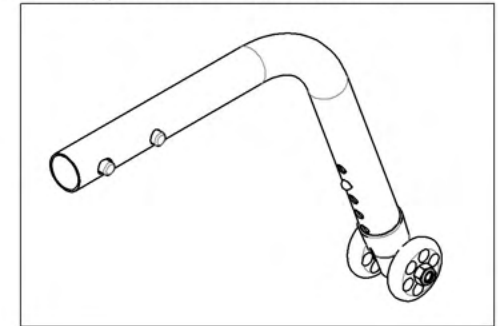
MAKE SURE TO HAVE YOUR SERIAL NUMBER
NEARBY WHEN ORDERING PARTS FOR YOUR
MOTION COMPOSITES WHEELCHAIR

9003658_9003659
Anti-Tipper Small + Extension

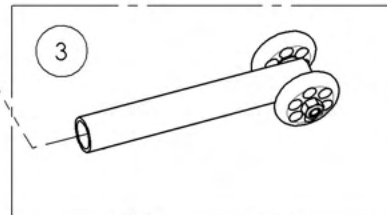
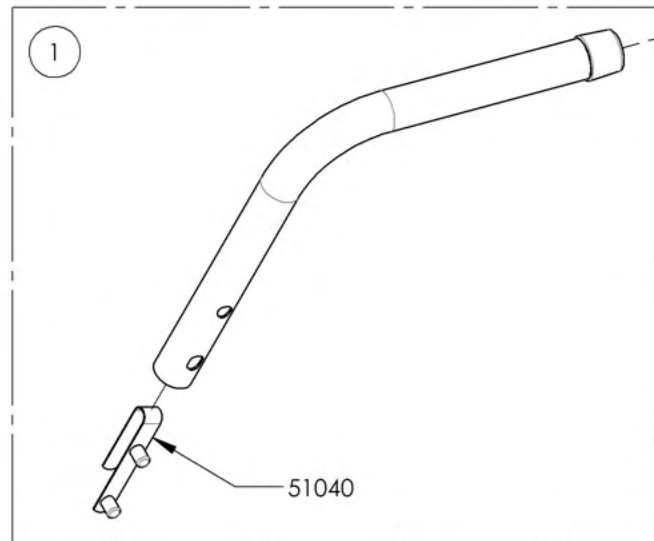
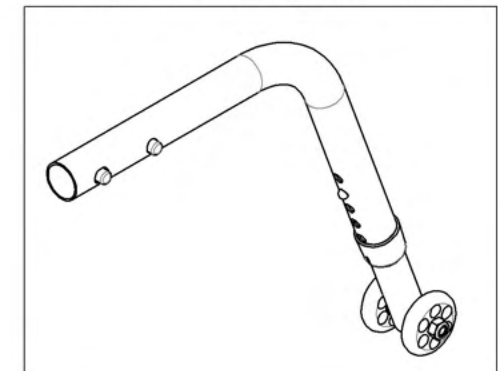
ITEM NO.	PARTNO	DESCRIPTION	9003658 /QTY.	9003659 /QTY.
1	51544	FIXED FRAME SMALL - ASSEMBLY	1	1
2	51517	ANTI-TIPPER EXTENSION SHORT V2 - ASSEMBLY	1	-
3	51518	ANTI-TIPPER EXTENSION LONG V2 - ASSEMBLY	-	1



9003658
 Anti-Tipper Small + Short Extension



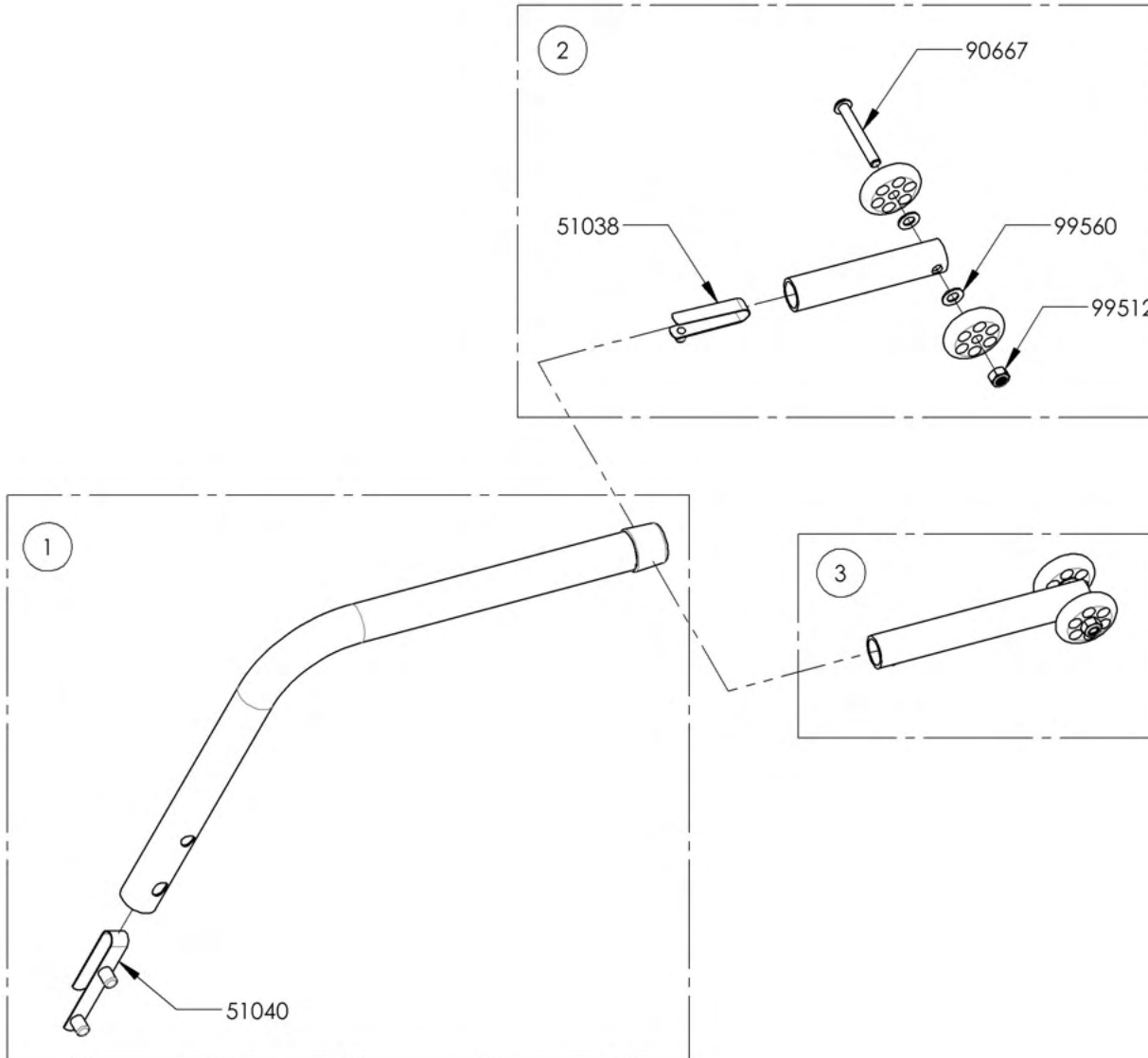
9003659
 Anti-Tipper Small + Long Extension



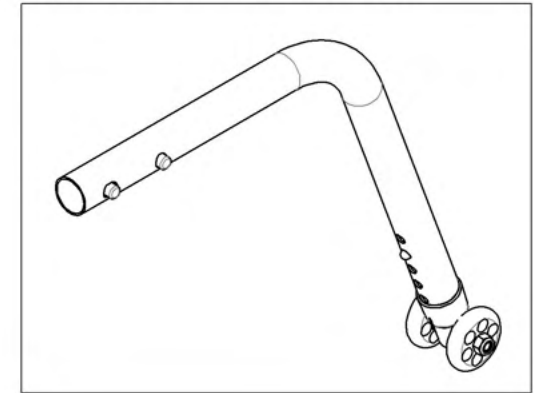
ASSUREZ-VOUS D'AVOIR VOTRE NUMÉRO DE SÉRIE
 PRÈS DE VOUS AVANT DE COMMANDER DES PIÈCES
 POUR VOTRE FAUTEUIL MOTION COMPOSITES

9003660_9003661
Anti-Tipper Large + Extension

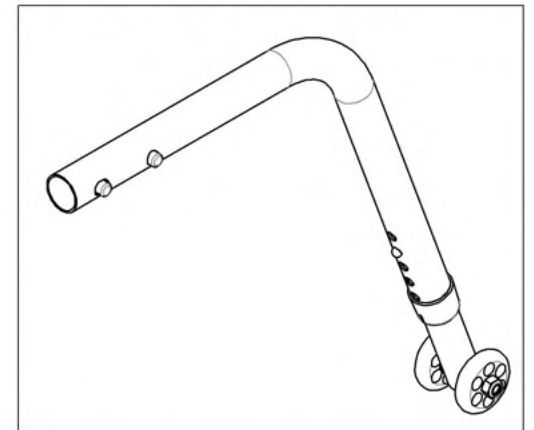
ITEM NO.	PARTNO	DESCRIPTION	9003660 /QTY.	9003661 /QTY.
1	51545	FIXED FRAME LARGE - ASSEMBLY	1	1
2	51517	ANTI-TIPPER EXTENSION SHORT V2 - ASSEMBLY	1	-
3	51518	ANTI-TIPPER EXTENSION LONG V2 - ASSEMBLY	-	1



9003660
 Anti-Tipper Large + Short Extension



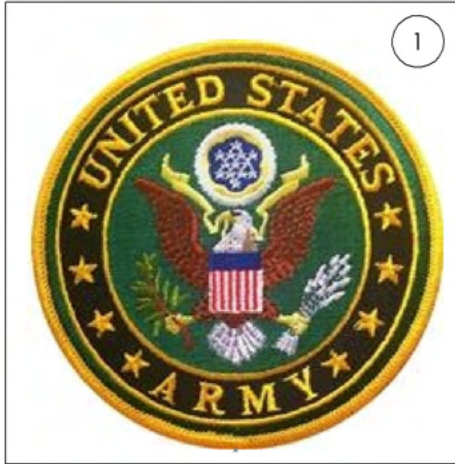
9003661
 Anti-Tipper Large + Long Extension



ASSUREZ-VOUS D'AVOIR VOTRE NUMÉRO DE SÉRIE
 PRÈS DE VOUS AVANT DE COMMANDER DES PIÈCES
 POUR VOTRE FAUTEUIL MOTION COMPOSITES

**Accessories Catalogue
Patches**

ITEM NO.	PARTNO	DESCRIPTION	QTY.
1	9002230	Patch - Army	1
2	9002231	Patch - Navy	1
3	9002232	Patch - Air Force	1
4	9002233	Patch - Marines	1
5	9002234	Patch - The Badge of Military Merit Purple Heart	1
6	9002522	Patch - Coast Guard	1



MAKE SURE TO HAVE YOUR SERIAL NUMBER
NEARBY WHEN ORDERING PARTS FOR YOUR
MOTION COMPOSITES WHEELCHAIR

Accessories Catalogue
Seat Pouch

ITEM NO.	PARTNO	DESCRIPTION	QTY.
1	9001634	Seat Pouch - Motion Composites	1



MAKE SURE TO HAVE YOUR SERIAL NUMBER
NEARBY WHEN ORDERING PARTS FOR YOUR
MOTION COMPOSITES WHEELCHAIR

**Accessories Catalogue
Newton Backpack**

ITEM NO.	PARTNO	DESCRIPTION	QTY
1	9003059	Backpack - Newton	1



13"
33cm

20"
51cm



MAKE SURE TO HAVE YOUR SERIAL NUMBER
NEARBY WHEN ORDERING PARTS FOR YOUR
MOTION COMPOSITES WHEELCHAIR

Accessories Catalogue
Bodypoint Mobility Bag

ITEM NO.	PARTNO	DESCRIPTION	QTY
1	9007794	Bag - Bodypoint Mobility	1



MAKE SURE TO HAVE YOUR SERIAL NUMBER
NEARBY WHEN ORDERING PARTS FOR YOUR
MOTION COMPOSITES WHEELCHAIR

Accessories Catalogue
Motion Composites T-Shirt

ITEM NO.	PART NO.	DESCRIPTION	QTY.
1	9001635	T-Shirt - Motion Composites Small	1
2	9001636	T-Shirt - Motion Composites Medium	1
3	9001637	T-Shirt - Motion Composites Large	1
4	9001638	T-Shirt - Motion Composites X-Large	1
5	9001639	T-Shirt - Motion Composites XX-Large	1



MAKE SURE TO HAVE YOUR SERIAL NUMBER
 NEARBY WHEN ORDERING PARTS FOR YOUR
 MOTION COMPOSITES WHEELCHAIR

Accessories Catalogue
Motion Composites Polo



ITEM NO.	PARTNO	DESCRIPTION	QTY
1	9003049	Polo - Motion Composites, Men, Small	1
2	9003050	Polo - Motion Composites, Men, Medium	1
3	9003051	Polo - Motion Composites, Men, Large	1
4	9003052	Polo - Motion Composites, Men, X-Large	1
5	9003053	Polo - Motion Composites, Men, 2X-Large	1
6	9003054	Polo - Motion Composites, Men, 3X-Large	1
7	9003055	Polo - Motion Composites, Men, 4X-Large	1
8	9003056	Polo - Motion Composites, Women, Small	1
9	9003057	Polo - Motion Composites, Women, Medium	1
10	9003058	Polo - Motion Composites, Women, Large	1

MAKE SURE TO HAVE YOUR SERIAL NUMBER
 NEARBY WHEN ORDERING PARTS FOR YOUR
 MOTION COMPOSITES WHEELCHAIR

Accessories Catalogue
Tool Kit

ITEM NO.	PARTNO	DESCRIPTION	QTY.
1	9001643	Tool Kit	1
2	9002426	Tool - Screwdriver 1.5 mm HEX	1



MAKE SURE TO HAVE YOUR SERIAL NUMBER
NEARBY WHEN ORDERING PARTS FOR YOUR
MOTION COMPOSITES WHEELCHAIR

**9001643
Tool Kit**

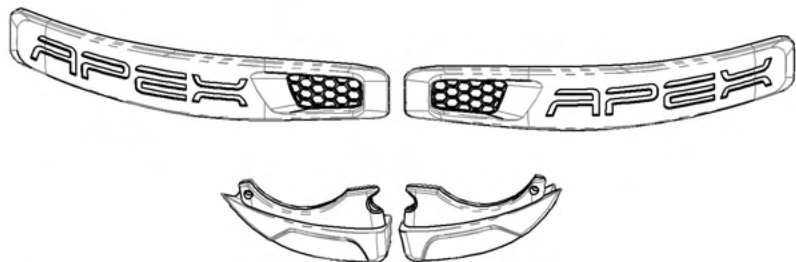
ITEM NO.	PARTNO	DESCRIPTION	9001643 /QTY.
1	80001	THREADED KNOB	1
2	51120	METRIC TOOL KIT	1
3	80002	3° TOOL	1



MAKE SURE TO HAVE YOUR SERIAL NUMBER
NEARBY WHEN ORDERING PARTS FOR YOUR
MOTION COMPOSITES WHEELCHAIR

Color Options Catalogue
Color Highlight - Apex Aluminum

- 1 2 3 4 5 6 7

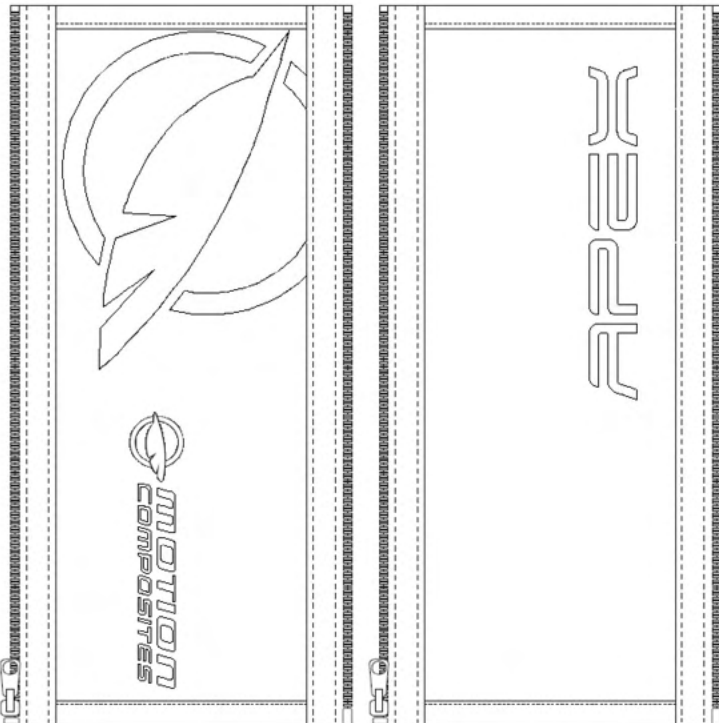
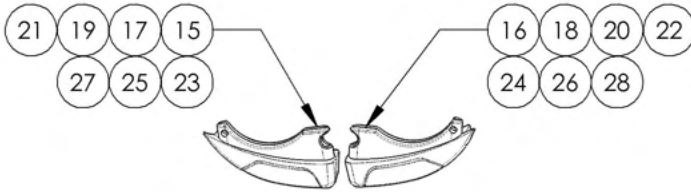
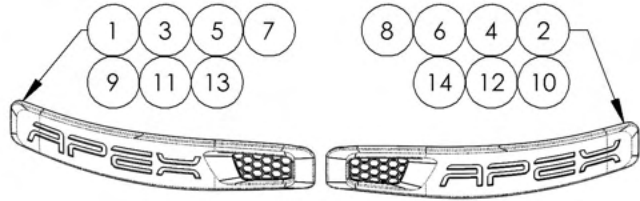


ITEM NO.	PARTNO	DESCRIPTION	QTY
1	9003670	Color Highlight - Apex Aluminum, Ferrari Red	1
2	9003671	Color Highlight - Apex Aluminum, Sky Blue	1
3	9003672	Color Highlight - Apex Aluminum, Sunkissed Orange	1
4	9003673	Color Highlight - Apex Aluminum, Acid Green	1
5	9003674	Color Highlight - Apex Aluminum, Fuchsia	1
6	9003675	Color Highlight - Apex Aluminum, Black	1
7	9003676	Color Highlight - Apex Aluminum, White	1



MAKE SURE TO HAVE YOUR SERIAL NUMBER
 NEARBY WHEN ORDERING PARTS FOR YOUR
 MOTION COMPOSITES WHEELCHAIR

9003670_9003676
Color Highlight - Apex Aluminum



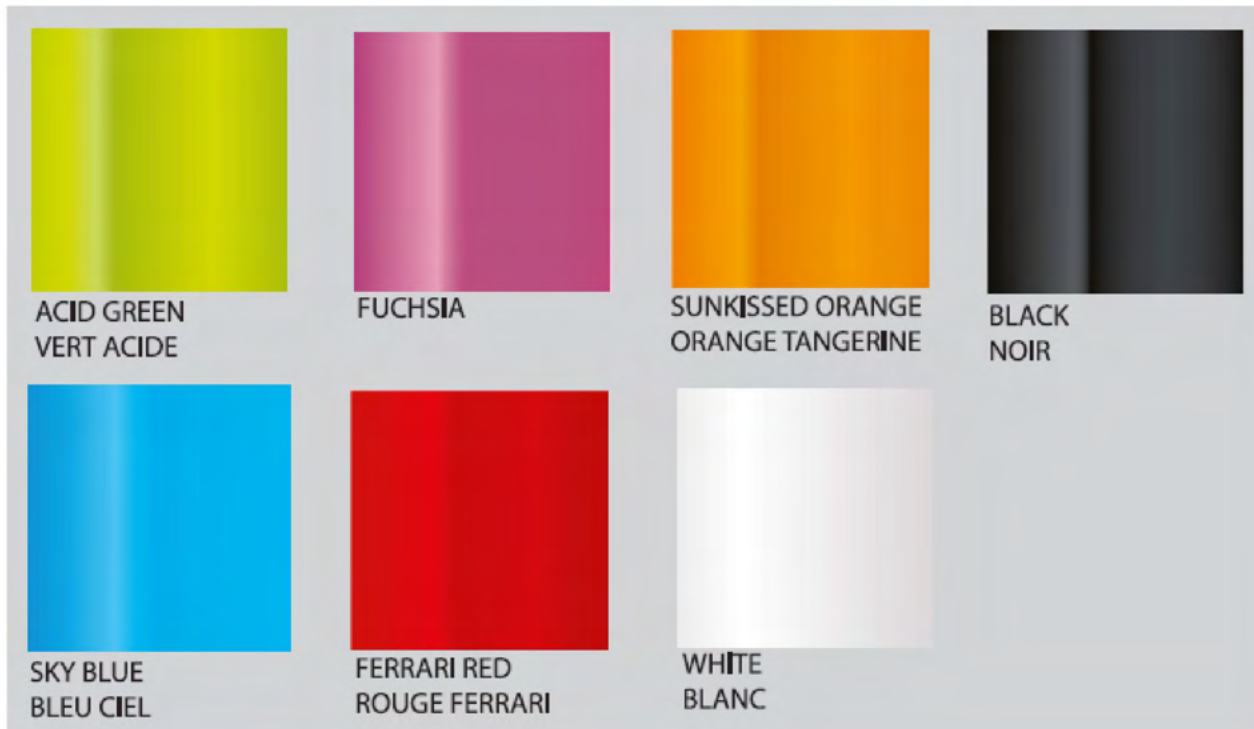
ITEM NO.	PARTNO	DESCRIPTION	9003670 /QTY.	9003671 /QTY.	9003672 /QTY.	9003673 /QTY.	9003674 /QTY.	9003675 /QTY.	9003676 /QTY.
1	51256	APEX CASTER MOUNT - RED FERRARI PLASTIC GUARD RIGHT	1	-	-	-	-	-	-
2	51257	APEX CASTER MOUNT - RED FERRARI PLASTIC GUARD LEFT	1	-	-	-	-	-	-
3	51258	APEX CASTER MOUNT - SKY BLUE PLASTIC GUARD RIGHT	-	1	-	-	-	-	-
4	51259	APEX CASTER MOUNT - SKY BLUE PLASTIC GUARD LEFT	-	1	-	-	-	-	-
5	51260	APEX CASTER MOUNT - SUNKISSED ORANGE PLASTIC GUARD RIGHT	-	-	1	-	-	-	-
6	51261	APEX CASTER MOUNT - SUNKISSED ORANGE PLASTIC GUARD LEFT	-	-	1	-	-	-	-
7	51262	APEX CASTER MOUNT - ACID GREEN PLASTIC GUARD RIGHT	-	-	-	1	-	-	-
8	51263	APEX CASTER MOUNT - ACID GREEN PLASTIC GUARD LEFT	-	-	-	1	-	-	-
9	51264	APEX CASTER MOUNT - FUCHSIA PLASTIC GUARD RIGHT	-	-	-	-	1	-	-
10	51265	APEX CASTER MOUNT - FUCHSIA PLASTIC GUARD LEFT	-	-	-	-	1	-	-
11	51266	APEX CASTER MOUNT - BLACK PLASTIC GUARD RIGHT	-	-	-	-	-	1	-
12	51267	APEX CASTER MOUNT - BLACK PLASTIC GUARD LEFT	-	-	-	-	-	1	-
13	51268	APEX CASTER MOUNT - WHITE PLASTIC GUARD RIGHT	-	-	-	-	-	-	1
14	51269	APEX CASTER MOUNT - WHITE PLASTIC GUARD LEFT	-	-	-	-	-	-	1
15	21615	CAMBER TUBE CLAMP - FERRARI RED PLASTIC BUMPER, RIGHT	1	-	-	-	-	-	-
16	21616	CAMBER TUBE CLAMP - FERRARI RED PLASTIC BUMPER, LEFT	1	-	-	-	-	-	-
17	21617	CAMBER TUBE CLAMP - SKY BLUE PLASTIC BUMPER, RIGHT	-	1	-	-	-	-	-
18	21618	CAMBER TUBE CLAMP - SKY BLUE PLASTIC BUMPER, LEFT	-	1	-	-	-	-	-
19	21619	CAMBER TUBE CLAMP - SUNKISSED ORANGE PLASTIC BUMPER, RIGHT	-	-	1	-	-	-	-
20	21620	CAMBER TUBE CLAMP - SUNKISSED ORANGE PLASTIC BUMPER, LEFT	-	-	1	-	-	-	-
21	21621	CAMBER TUBE CLAMP - ACID GREEN PLASTIC BUMPER, RIGHT	-	-	-	1	-	-	-
22	21622	CAMBER TUBE CLAMP - ACID GREEN PLASTIC BUMPER, LEFT	-	-	-	1	-	-	-
23	21623	CAMBER TUBE CLAMP - FUCHSIA PLASTIC BUMPER, RIGHT	-	-	-	-	1	-	-
24	21624	CAMBER TUBE CLAMP - FUCHSIA PLASTIC BUMPER, LEFT	-	-	-	-	1	-	-
25	21625	CAMBER TUBE CLAMP - BLACK PLASTIC BUMPER, RIGHT	-	-	-	-	-	1	-
26	21626	CAMBER TUBE CLAMP - BLACK PLASTIC BUMPER, LEFT	-	-	-	-	-	1	-
27	21627	CAMBER TUBE CLAMP - WHITE PLASTIC BUMPER, RIGHT	-	-	-	-	-	-	1
28	21628	CAMBER TUBE CLAMP - WHITE PLASTIC BUMPER, LEFT	-	-	-	-	-	-	1
29	51249	APEX ALUMINUM FRAME NEOPREN IMPACT GUARD FERRARI RED (PAIR)	1	-	-	-	-	-	-
30	51250	APEX ALUMINUM FRAME NEOPREN IMPACT GUARD SKY BLUE (PAIR)	-	1	-	-	-	-	-
31	51251	APEX ALUMINUM FRAME NEOPREN IMPACT GUARD SUNKISSED ORANGE (PAIR)	-	-	1	-	-	-	-
32	51252	APEX ALUMINUM FRAME NEOPREN IMPACT GUARD ACID GREEN (PAIR)	-	-	-	1	-	-	-
33	51253	APEX ALUMINUM FRAME NEOPREN IMPACT GUARD FUCHSIA (PAIR)	-	-	-	-	1	-	-
34	51254	APEX ALUMINUM FRAME NEOPREN IMPACT GUARD CHARCOAL (PAIR)	-	-	-	-	-	1	-
35	51255	APEX ALUMINUM FRAME NEOPREN IMPACT GUARD WHITE (PAIR)	-	-	-	-	-	-	1



MAKE SURE TO HAVE YOUR SERIAL NUMBER NEARBY WHEN ORDERING PARTS FOR YOUR MOTION COMPOSITES WHEELCHAIR

Color Options Catalogue
Apex & Veloce Color Swatch

ITEM NO.	PARTNO	DESCRIPTION	QTY
1	9002496	Color Swatch - Apex & Veloce Plastic Colors	1

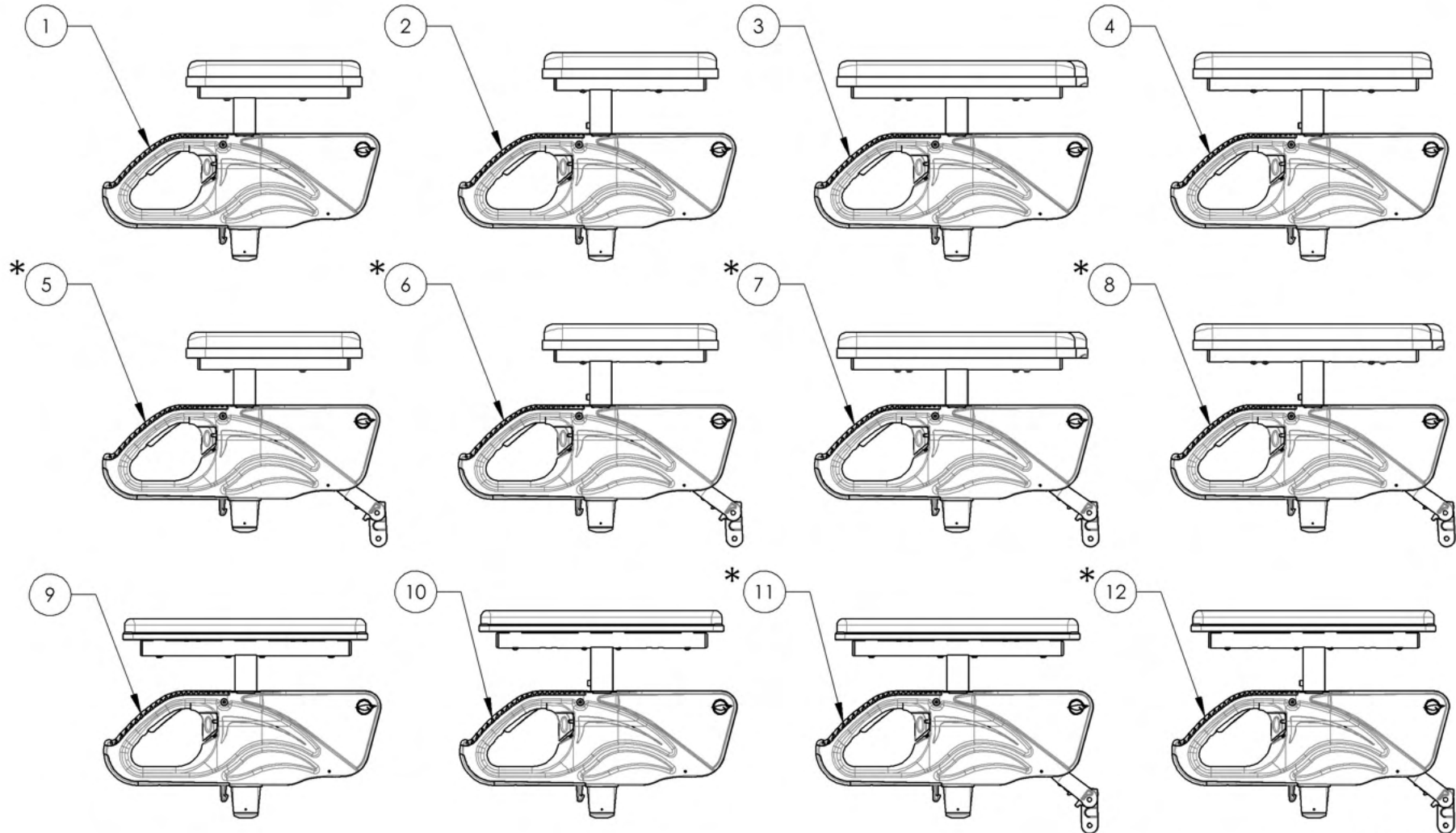


MAKE SURE TO HAVE YOUR SERIAL NUMBER
 NEARBY WHEN ORDERING PARTS FOR YOUR
 MOTION COMPOSITES WHEELCHAIR

Quick Order Catalogue
Complete Armrest Type 2 Pair Assembly

*:NOT AVAILABLE FOR KIDS & APEX WHEELCHAIRS

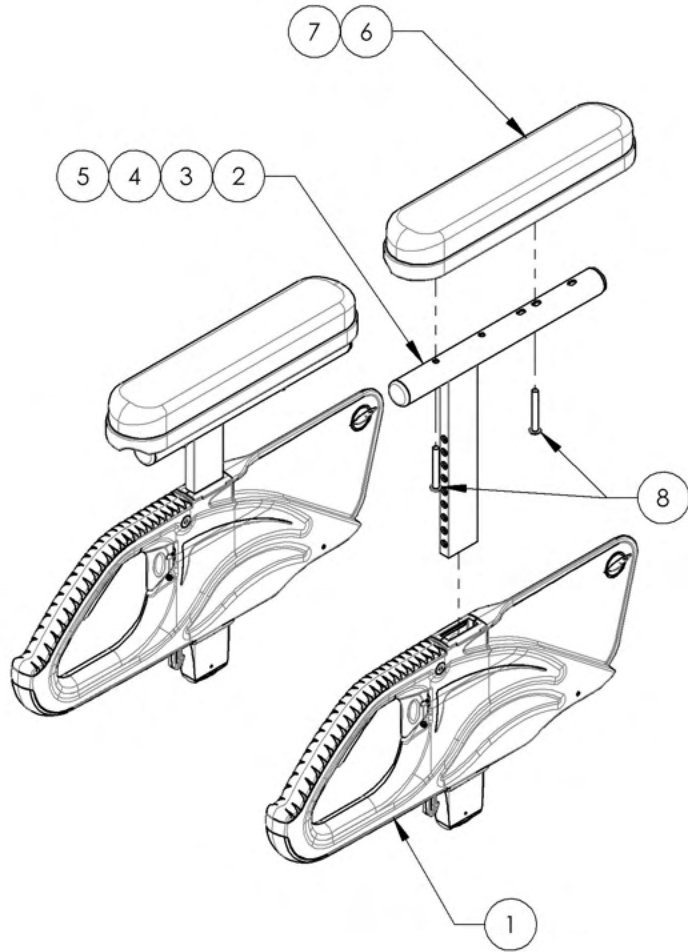
ITEM NO.	PARTNO	DESCRIPTION	QTY.
1	9002524	T Type Complete Armrest, 8-12 in, Desk Length (Pair)	1
2	9002525	T Type Complete Armrest, 10-14 in, Desk Length (Pair)	1
3	9002526	T Type Complete Armrest, 8-12 in, Full Length (Pair)	1
4	9002527	T Type Complete Armrest, 10-14 in, Full Length (Pair)	1
5 *	9002528	Flip Back Type 2 Complete Armrest, 8-12 in, Desk Length (Pair)	1
6 *	9002529	Flip Back Type 2 Complete Armrest, 10-14 in, Desk Length (Pair)	1
7 *	9002530	Flip Back Type 2 Complete Armrest, 8-12 in, Full Length (Pair)	1
8 *	9002531	Flip Back Type 2 Complete Armrest, 10-14 in, Full Length (Pair)	1
9	9002937	T Type Complete Armrest, 8-12 in, Gel Pad, Full Length (Pair)	1
10	9002938	T Type Complete Armrest, 10-14 in, Gel Pad, Full Length (Pair)	1
11 *	9002941	Flip Back Type 2 Complete Armrest, 8-12 in, Gel Pad, Full Length (Pair)	1
12 *	9002942	Flip Back Type 2 Complete Armrest, 10-14 in, Gel Pad, Full Length (Pair)	1



MAKE SURE TO HAVE YOUR SERIAL NUMBER
 NEARBY WHEN ORDERING PARTS FOR YOUR
 MOTION COMPOSITES WHEELCHAIR

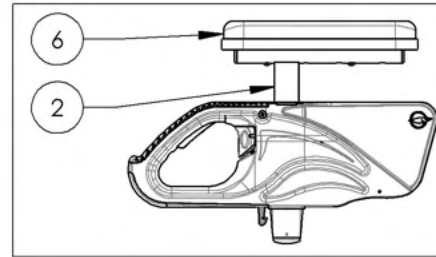
9002524 9002527

T Type Complete Armrests, Desk & Full Length (Pair)

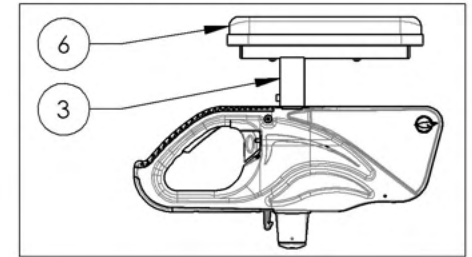


ITEM NO.	PARTNO	DESCRIPTION	9002524 /QTY.	9002525 /QTY.	9002526 /QTY.	9002527 /QTY.
1	33554	V2 ARMREST - MAIN BODY	2	2	2	2
2	33579	V2 ARMREST STRUCTURE 8-12" FOR DESK LENGTH - ASSEMBLY	2	-	-	-
3	33580	V2 ARMREST STRUCTURE 10-14" FOR DESK LENGTH - ASSEMBLY	-	2	-	-
4	33559	V2 ARMREST STRUCTURE 8-12" FOR FULL LENGTH - ASSEMBLY	-	-	2	-
5	33560	V2 ARMREST STRUCTURE 10-14" FOR FULL LENGTH - ASSEMBLY	-	-	-	2
6	33038	ARMREST DESK PAD	2	2	-	-
7	33039	ARMREST FULL LENGTH PAD	-	-	2	2
8	99013	SCREW PHILLIPS PAN HD #10_32 X 1_1_2 + BLUE THREADLOCKER	4	4	4	4

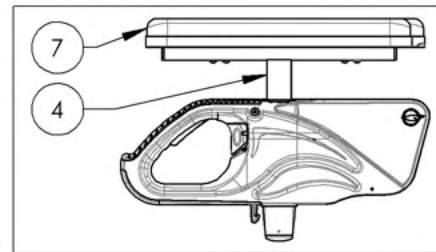
9002524
T Type Complete Armrest, 8-12 in,
Desk Length (Pair)



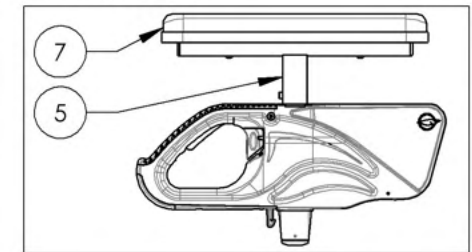
9002525
T Type Complete Armrest, 10-14 in,
Desk Length (Pair)



9002526
T Type Complete Armrest, 8-12 in,
Full Length (Pair)



9002527
T Type Complete Armrest, 10-14 in,
Full Length (Pair)

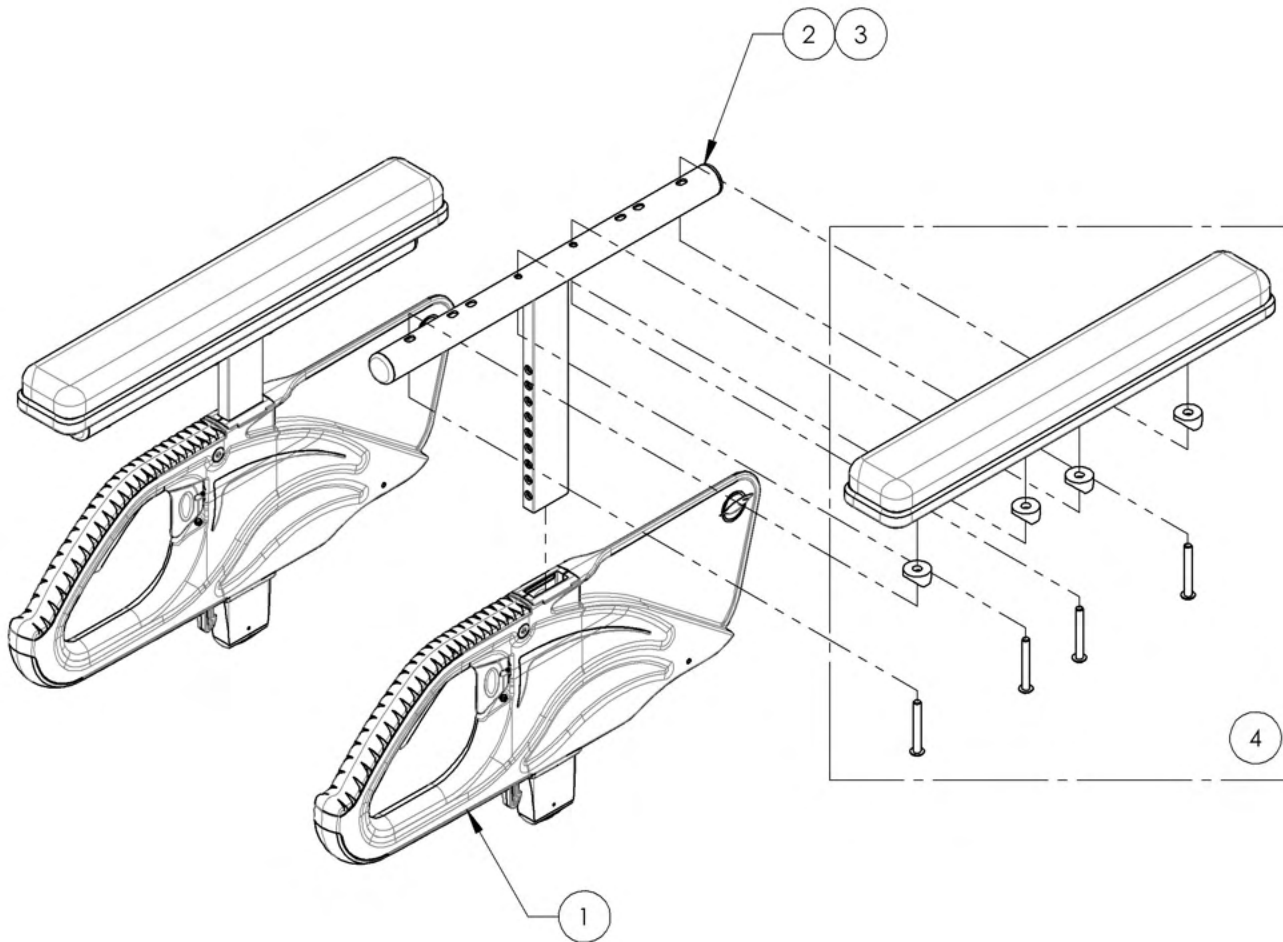


MAKE SURE TO HAVE YOUR SERIAL NUMBER
NEARBY WHEN ORDERING PARTS FOR YOUR
MOTION COMPOSITES WHEELCHAIR

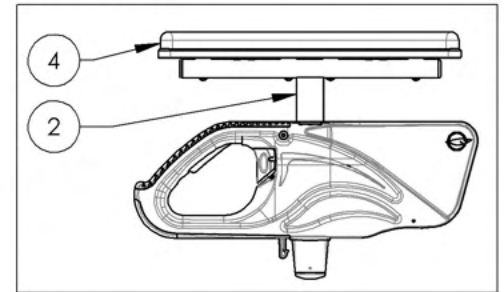
9002937 9002938

T Type Complete Armrest, Gel Pad, Full Length (Pair)

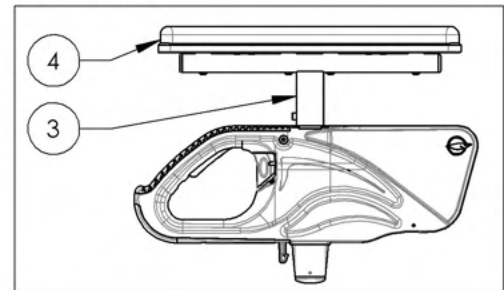
ITEM NO.	PARTNO	DESCRIPTION	9002937 /QTY.	9002938 /QTY.
1	33554	V2 ARMREST - MAIN BODY	2	2
2	33559	V2 ARMREST STRUCTURE 8-12" FOR FULL LENGTH - ASSEMBLY	2	-
3	33560	V2 ARMREST STRUCTURE 10-14" FOR FULL LENGTH - ASSEMBLY	-	2
4	33077	OVATION GEL ARMREST PAD 2x14in, FULL LENGTH	2	2



9002937
T Type Complete Armrest, 8-12 in, Gel Pad,
Full Length (Pair)



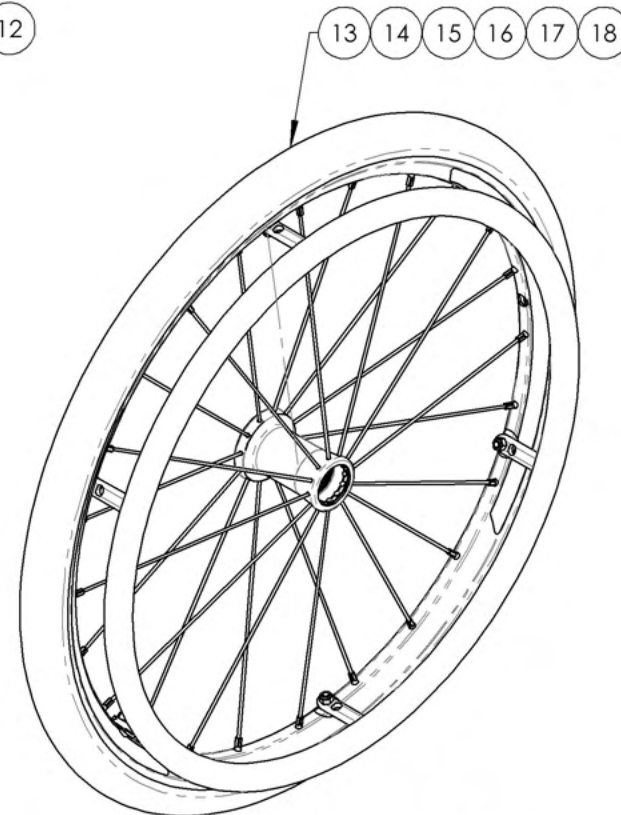
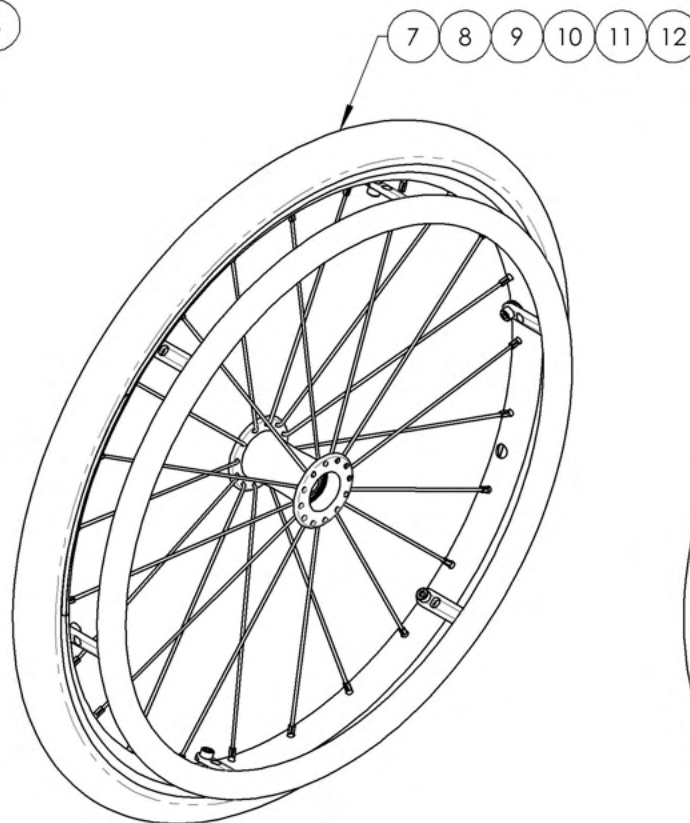
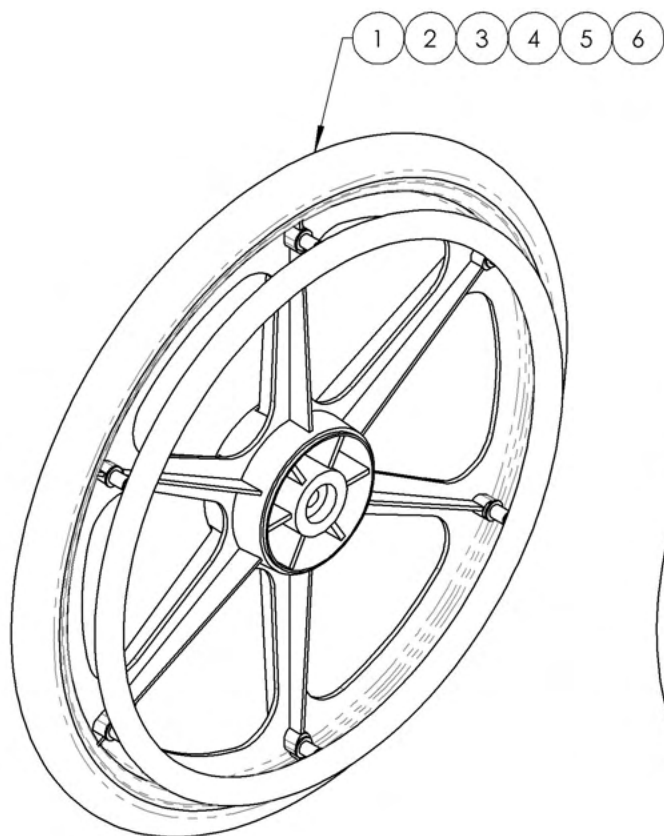
9002938
T Type Complete Armrest, 10-14 in, Gel Pad,
Full Length (Pair)



MAKE SURE TO HAVE YOUR SERIAL NUMBER
NEARBY WHEN ORDERING PARTS FOR YOUR
MOTION COMPOSITES WHEELCHAIR

**Quick Order Catalogue
Rear Wheel Assembly**

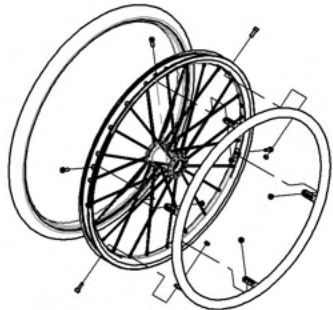
ITEM NO.	PARTNO	DESCRIPTION	QTY.
1	9002169	Rear Wheel - Mag + Soft Urethane Tire + Aluminium Handrim, 20 in	1
2	9002170	Rear Wheel - Mag + Soft Urethane Tire + Plastic Coated Handrim, 20 in	1
3	9002171	Rear Wheel - Mag + Soft Urethane Tire + Aluminium Handrim, 22 in	1
4	9002172	Rear Wheel - Mag + Soft Urethane Tire + Plastic Coated Handrim, 22 in	1
5	9002173	Rear Wheel - Mag + Soft Urethane Tire + Aluminium Handrim, 24 in	1
6	9002174	Rear Wheel - Mag + Soft Urethane Tire + Plastic Coated Handrim, 24 in	1
7	9002148	Rear Wheel - Newton One + Soft Urethane Tire + Aluminium Handrim, 20 in	1
8	9002149	Rear Wheel - Newton One + Soft Urethane Tire + Plastic Coated Handrim, 20 in	1
9	9002175	Rear Wheel - Newton One + Soft Urethane Tire + Aluminium Handrim, 22 in	1
10	9002176	Rear Wheel - Newton One + Soft Urethane Tire + Plastic Coated Handrim, 22 in	1
11	9002177	Rear Wheel - Newton One + Soft Urethane Tire + Aluminium Handrim, 24 in	1
12	9002178	Rear Wheel - Newton One + Soft Urethane Tire + Plastic Coated Handrim, 24 in	1
13	9002179	Rear Wheel - Newton Gravity + Soft Urethane Tire + Aluminium Handrim, 20 in	1
14	9002180	Rear Wheel - Newton Gravity + Soft Urethane Tire + Plastic Coated Handrim, 20 in	1
15	9002181	Rear Wheel - Newton Gravity + Soft Urethane Tire + Aluminium Handrim, 22 in	1
16	9002182	Rear Wheel - Newton Gravity + Soft Urethane Tire + Plastic Coated Handrim, 22 in	1
17	9002183	Rear Wheel - Newton Gravity + Soft Urethane Tire + Aluminium Handrim, 24 in	1
18	9002184	Rear Wheel - Newton Gravity + Soft Urethane Tire + Plastic Coated Handrim, 24 in	1



MAKE SURE TO HAVE YOUR SERIAL NUMBER
NEARBY WHEN ORDERING PARTS FOR YOUR
MOTION COMPOSITES WHEELCHAIR

9002148_9002149 & 9002169_9002184
Rear Wheel Assembly

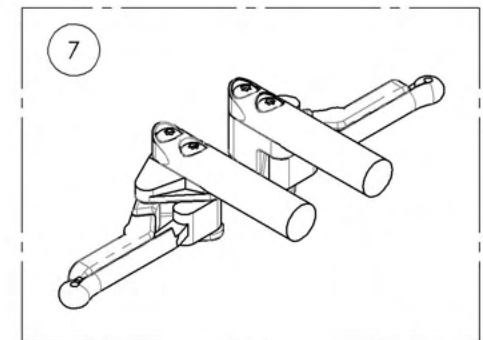
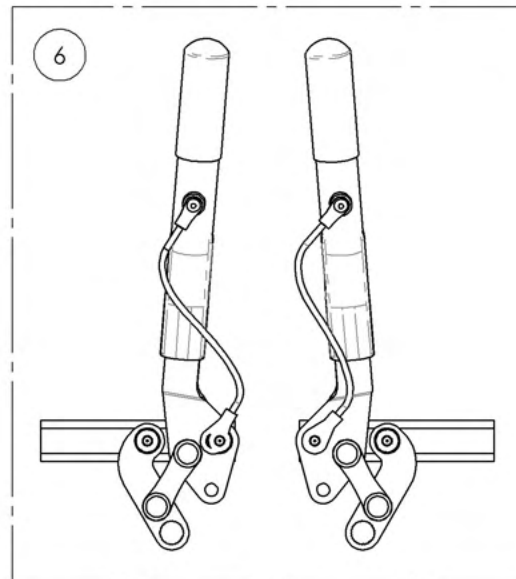
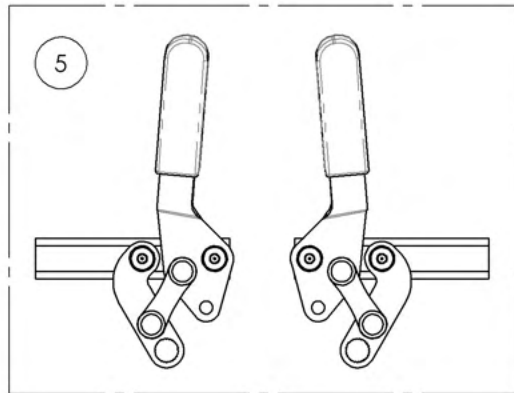
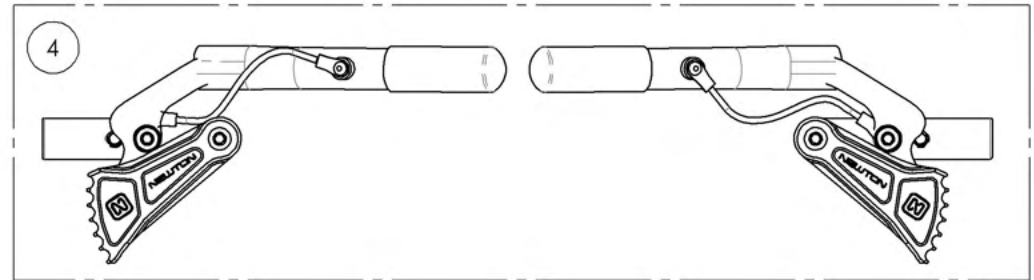
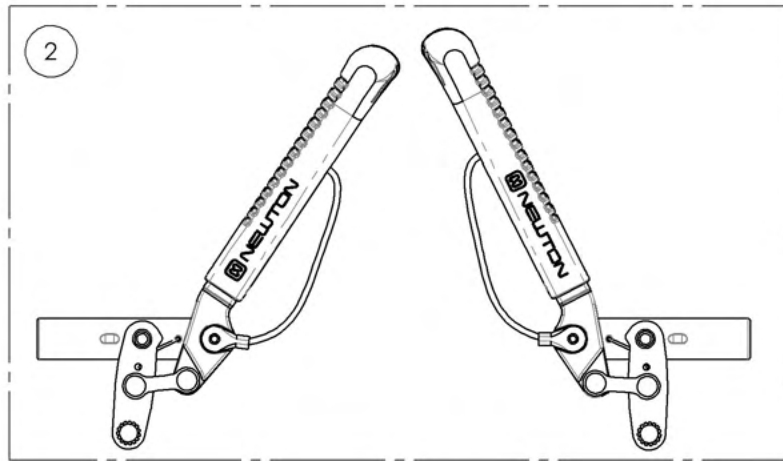
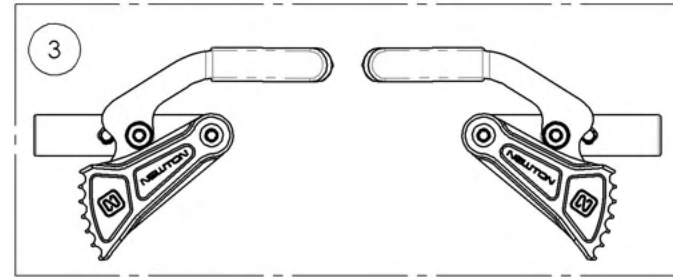
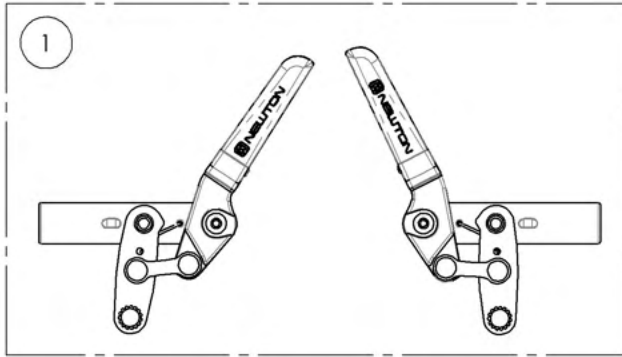
ITEM NO.	PARTNO	DESCRIPTION	9002169 /QTY.	9002170 /QTY.	9002171 /QTY.	9002172 /QTY.	9002173 /QTY.	9002174 /QTY.	9002148 /QTY.	9002149 /QTY.	9002175 /QTY.	9002176 /QTY.	9002177 /QTY.	9002178 /QTY.	9002179 /QTY.	9002180 /QTY.	9002181 /QTY.	9002182 /QTY.	9002183 /QTY.	9002184 /QTY.
1	21105	20" MAG WHEEL	1	1	-	-	-	-	-	-	-	-	-	-	-	-	-	-	-	-
2	21106	22" MAG WHEEL	-	-	1	1	-	-	-	-	-	-	-	-	-	-	-	-	-	-
3	21107	24" MAG WHEEL	-	-	-	-	1	1	-	-	-	-	-	-	-	-	-	-	-	-
4	21118	20 in NEWTON ONE WHEEL	-	-	-	-	-	-	1	1	-	-	-	-	-	-	-	-	-	-
5	21110	22 in NEWTON ONE WHEEL	-	-	-	-	-	-	-	-	1	1	-	-	-	-	-	-	-	-
6	21111	24 in NEWTON ONE WHEEL	-	-	-	-	-	-	-	-	-	-	1	1	-	-	-	-	-	-
7	21113	20" NEWTON GRAVITY WHEEL	-	-	-	-	-	-	-	-	-	-	-	-	1	1	-	-	-	-
8	21114	22" NEWTON GRAVITY WHEEL	-	-	-	-	-	-	-	-	-	-	-	-	-	-	1	1	-	-
9	21115	24" NEWTON GRAVITY WHEEL	-	-	-	-	-	-	-	-	-	-	-	-	-	-	-	-	1	1
10	21365	SOFT URETHANE TIRE 20 x 1 1/4in	1	1	-	-	-	-	1	1	-	-	-	-	1	1	-	-	-	-
11	21366	SOFT URETHANE TIRE 22 x 1 1/4in	-	-	1	1	-	-	-	-	1	1	-	-	-	-	1	1	-	-
12	21367	SOFT URETHANE TIRE 24 x 1 1/4in	-	-	-	-	1	1	-	-	-	-	1	1	-	-	-	-	1	1
13	21236	20" ALUMINUM ANODIZED HANDRIM- MAG WHEEL	1	-	-	-	-	-	-	-	-	-	-	-	-	-	-	-	-	-
14	21205	22" ALUMINUM ANODIZED HANDRIM- MAG WHEEL	-	-	1	-	-	-	-	-	-	-	-	-	-	-	-	-	-	-
15	21206	24" ALUMINUM ANODIZED HANDRIM- MAG WHEEL	-	-	-	-	1	-	-	-	-	-	-	-	-	-	-	-	-	-
16	21237	20IN PLASTIC COATED HANDRIM - MAG WHEEL	-	1	-	-	-	-	-	-	-	-	-	-	-	-	-	-	-	-
17	21207	22 IN PLASTIC COATED HANDRIM - MAG WHEEL	-	-	-	1	-	-	-	-	-	-	-	-	-	-	-	-	-	-
18	21208	24 IN PLASTIC COATED HANDRIM - MAG WHEEL	-	-	-	-	-	1	-	-	-	-	-	-	-	-	-	-	-	-
19	21200	20in ALUMINUM ANODIZED HANDRIM	-	-	-	-	-	-	1	-	-	-	-	-	1	-	-	-	-	-
20	21201	22in ALUMINUM ANODIZED HANDRIM	-	-	-	-	-	-	-	-	1	-	-	-	-	-	1	-	-	-
21	21202	24in ALUMINUM ANODIZED HANDRIM	-	-	-	-	-	-	-	-	-	-	1	-	-	-	-	-	1	-
22	21210	20 in PLASTIC COATED HANDRIM	-	-	-	-	-	-	-	1	-	-	-	-	-	1	-	-	-	-
23	21211	22 in PLASTIC COATED HANDRIM	-	-	-	-	-	-	-	-	-	1	-	-	-	-	-	1	-	-
24	21212	24 in PLASTIC COATED HANDRIM	-	-	-	-	-	-	-	-	-	-	-	1	-	-	-	-	-	1
25	99601	SPACER HANDRIM MAG (last: 200 + 200 comm)	6	6	4	4	4	4	-	-	-	-	-	-	-	-	-	-	-	-
26	99013	SCREW PHILLIPS PAN HD #10_32 X 1_1_2 + BLUE THREADLOCKER	6	6	-	-	-	-	-	-	-	-	-	-	-	-	-	-	-	-
27	99564	FLAT WASHER M5 POUR HANDRIM MAG	12	12	8	8	8	8	-	-	-	-	-	-	-	-	-	-	-	-
28	90989	M5 LOW NYLON LOCK	-	-	-	-	-	-	-	-	-	-	-	-	6	6	6	6	6	6
29	21500	REAR WHEEL LOCKNUT INSERT - ASSEMBLY	-	-	-	-	-	-	6	6	6	6	6	6	-	-	-	-	-	-
30	99015	SCREW PHILLIPS #10-32 X 2" HANDRIM MAG + BLUE THREADLOCKER	-	-	4	4	4	4	-	-	-	-	-	-	-	-	-	-	-	-
31	90746	SOCKET CAP SCREW M5X0.8 X 15mm LONG, FULLY THREADED + BLUE TREADLOCKER - BLACK ZINC	-	-	-	-	-	-	6	6	6	6	6	6	-	-	-	-	-	-
32	90744	SOCKET CAP SCREW M5X0.8 X 12mm LONG, FULLY THREADED + BLUE TREADLOCKER - BLACK ZINC	-	-	-	-	-	-	-	-	-	-	-	-	6	6	6	6	6	6



MAKE SURE TO HAVE YOUR SERIAL NUMBER NEARBY WHEN ORDERING PARTS FOR YOUR MOTION COMPOSITES WHEELCHAIR

**Quick Order Catalogue
Wheel Lock Pair Assembly**

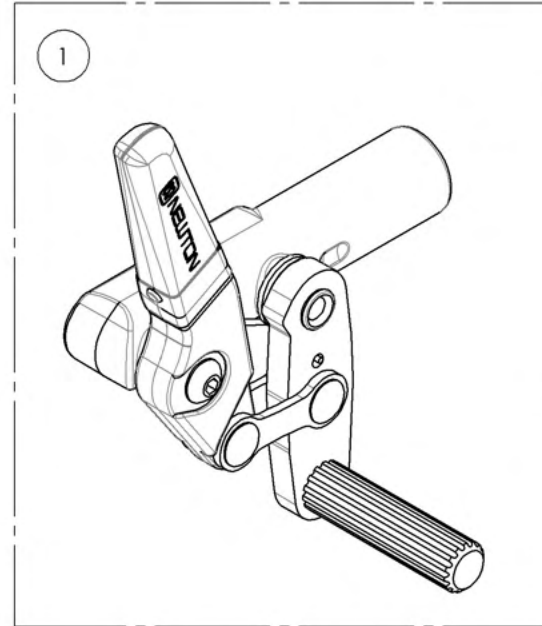
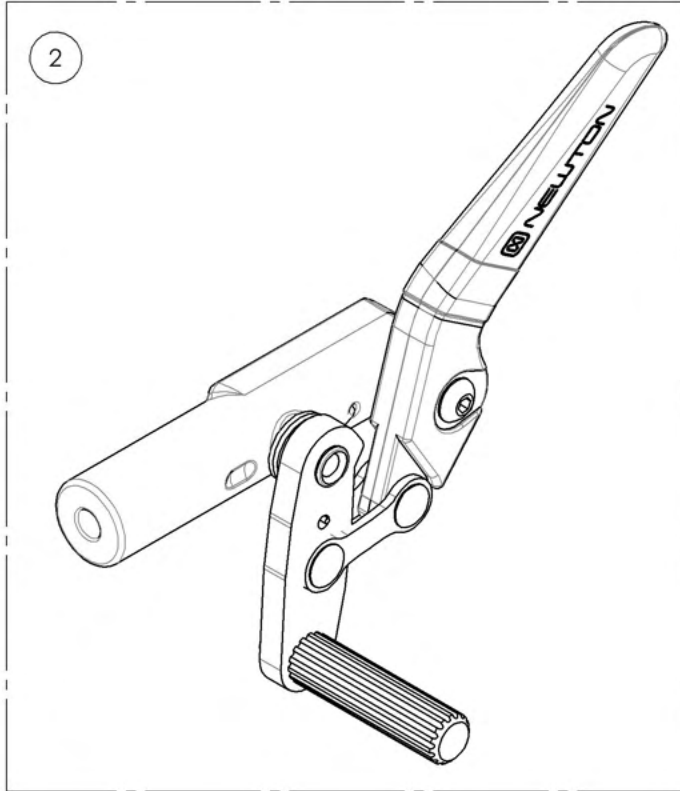
ITEM NO.	PARTNO	DESCRIPTION	QTY.
1	9003022	Wheel Lock - Newton Spring Loaded Push to Lock (Pair)	1
2	9003023	Wheel Lock - Newton Spring Loaded Push to Lock, 6 in Removable Extension Handle (Pair)	1
3	9002269	Wheel Lock - Newton Grade Aid, Push to Lock (Pair)	1
4	9003024	Wheel Lock - Newton Grade Aid, Push to Lock, 6 in Removable Extension Handle (Pair)	1
5	9001577	Wheel Lock - Pull to Lock (Pair)	1
6	9001579	Wheel Lock - Pull to Lock, 6 in Removable Extension Handle (Pair)	1
7	9002268	Wheel Lock - Scissor (Pair)	1



MAKE SURE TO HAVE YOUR SERIAL NUMBER
NEARBY WHEN ORDERING PARTS FOR YOUR
MOTION COMPOSITES WHEELCHAIR

9003022
Wheel Lock - Newton Spring Loaded Push to Lock (Pair)

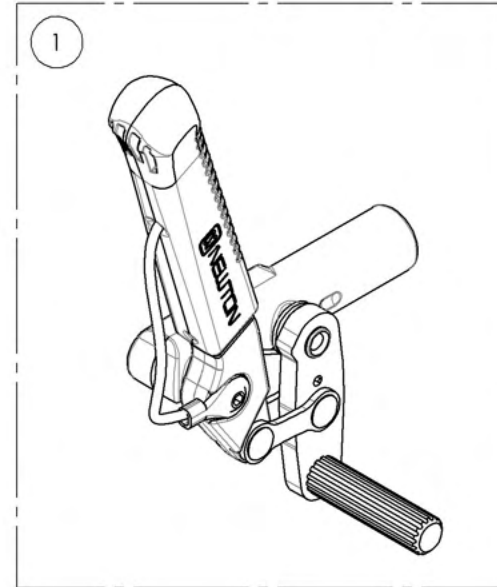
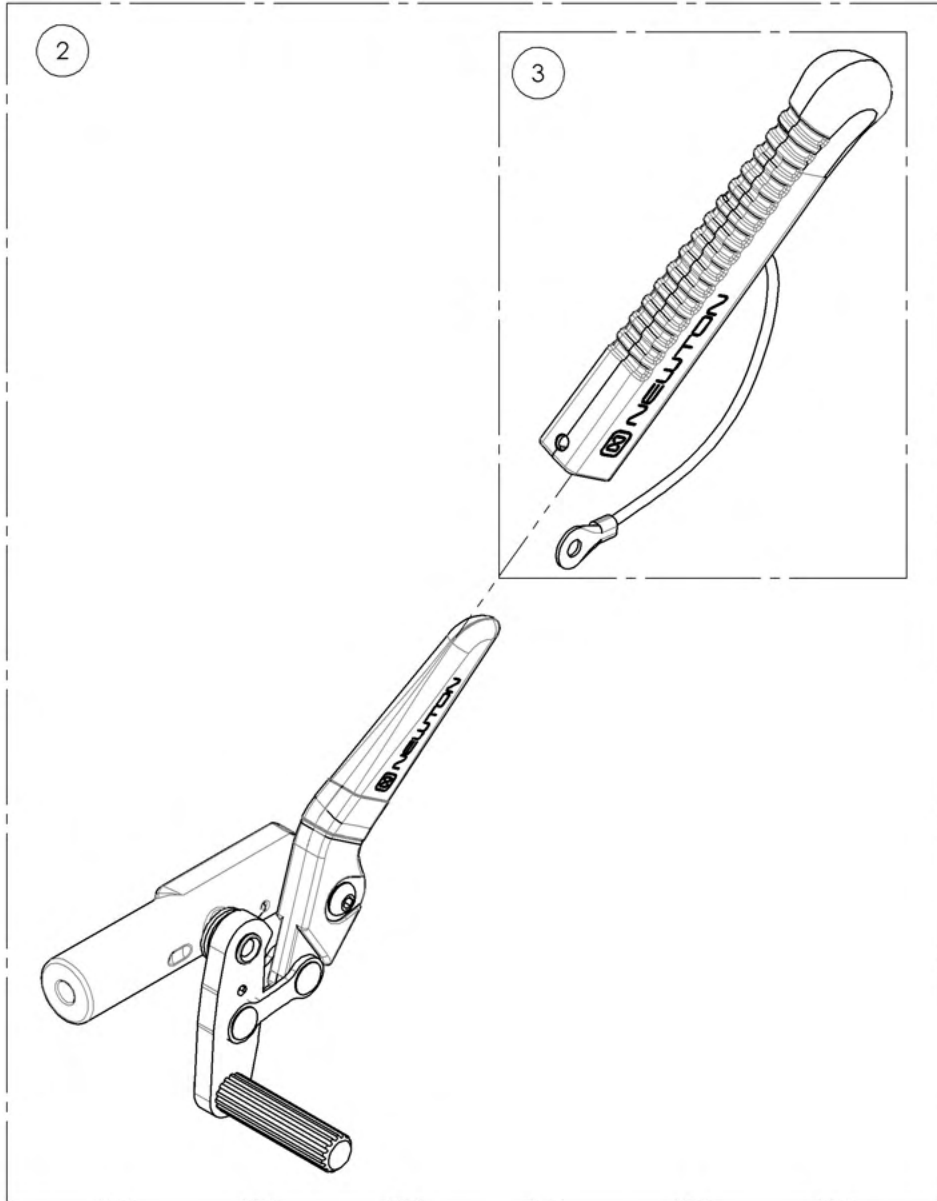
ITEM NO.	PARTNO	DESCRIPTION	9003022 /QTY.
1	41056	NEWTON PUSH SPRING WHEEL LOCK, LEFT - ASSY	1
2	41057	NEWTON PUSH SPRING WHEEL LOCK, RIGHT - ASSY	1



MAKE SURE TO HAVE YOUR SERIAL NUMBER
NEARBY WHEN ORDERING PARTS FOR YOUR
MOTION COMPOSITES WHEELCHAIR

9003023
Wheel Lock - Newton Spring Loaded Push to Lock,
6 in Removable Extension Handle (Pair)

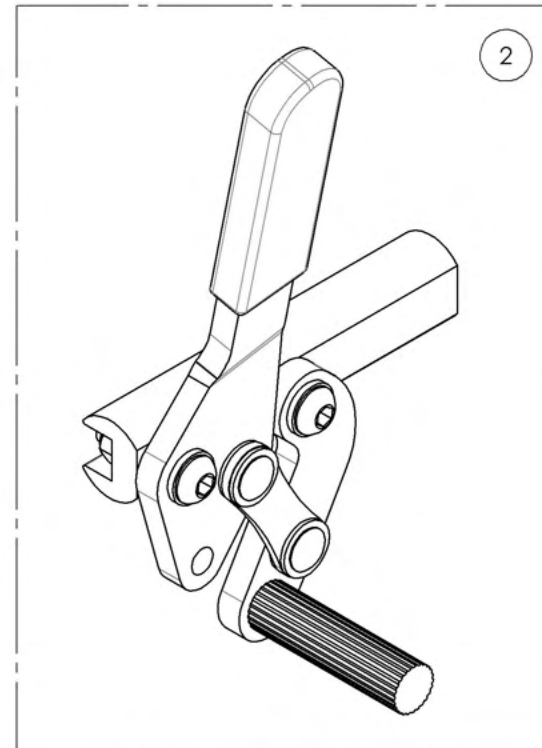
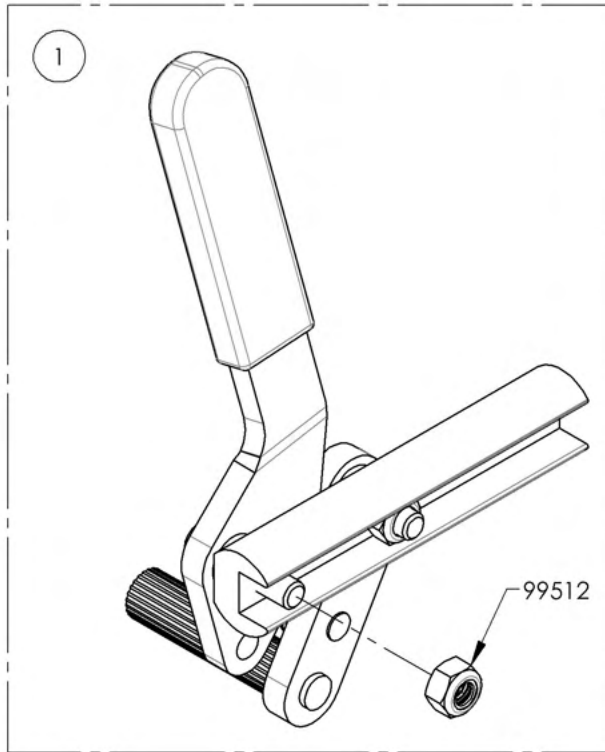
ITEM NO.	PARTNO	DESCRIPTION	9003023 /QTY.	REPLACEMENT PARTS/QTY.
1	41051	NEWTON PUSH SPRING WHEEL LOCK + EXTENSION, LEFT - ASSY	1	-
2	41052	NEWTON PUSH SPRING WHEEL LOCK + EXTENSION, RIGHT - ASSY	1	-
3	41500	NEWTON REMOVABLE EXTENSION HANDLE - ASSEMBLY	-	1



MAKE SURE TO HAVE YOUR SERIAL NUMBER
 NEARBY WHEN ORDERING PARTS FOR YOUR
 MOTION COMPOSITES WHEELCHAIR

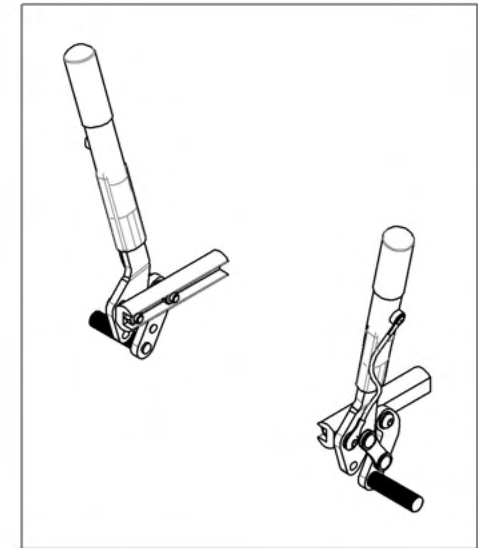
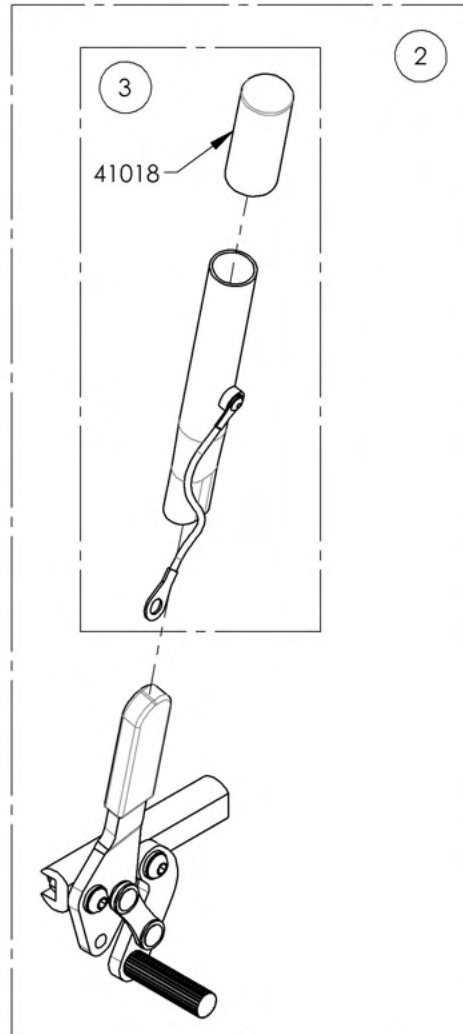
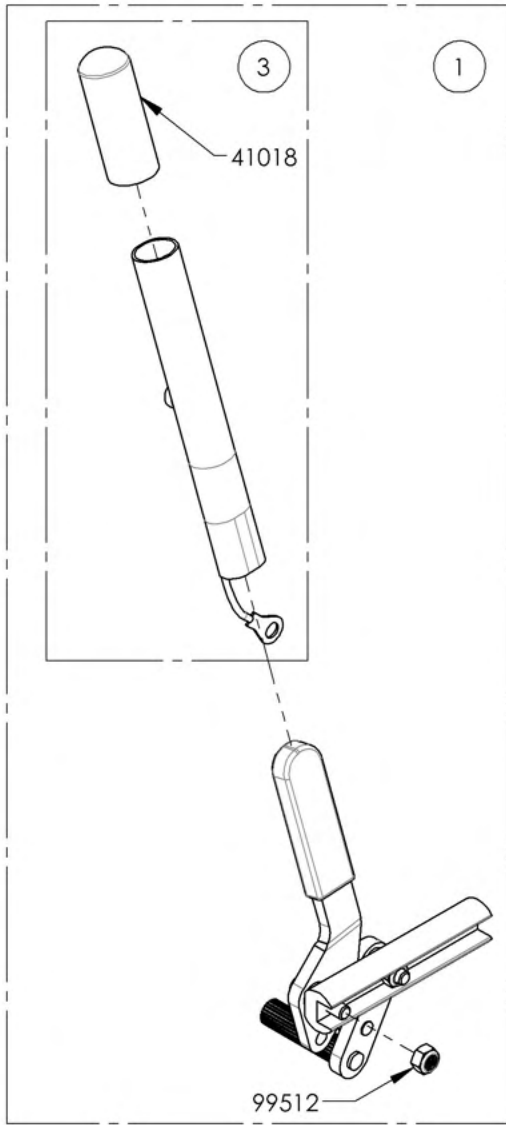
9001577
Wheel Lock - Pull to Lock (Pair)

ITEM NO.	PARTNO	DESCRIPTION	9001577 /QTY.
1	41078	PULL TO LOCK WHEEL LOCK, RIGHT	1
2	41079	PULL TO LOCK WHEEL LOCK, LEFT	1



MAKE SURE TO HAVE YOUR SERIAL NUMBER
NEARBY WHEN ORDERING PARTS FOR YOUR
MOTION COMPOSITES WHEELCHAIR

9001579
Wheel Lock - Pull to Lock, 6 in Removable Extension Handle (Pair)

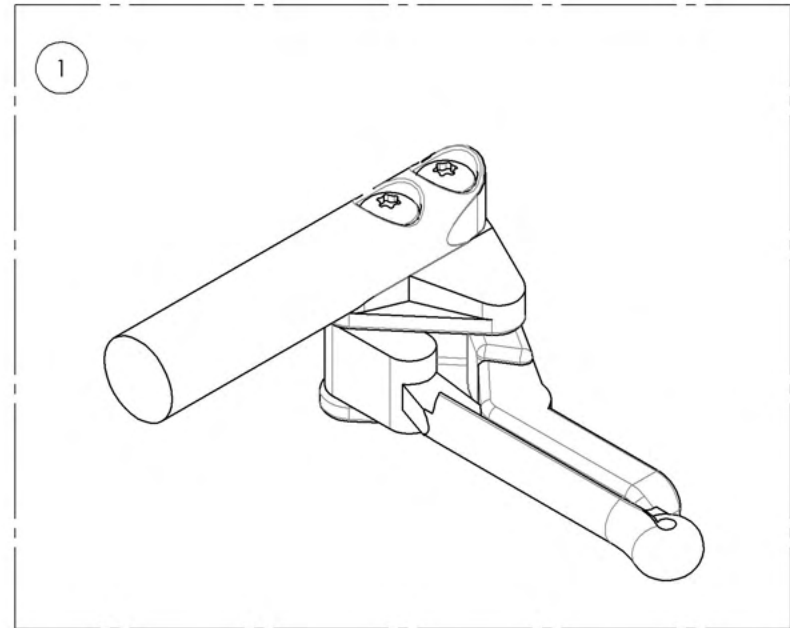
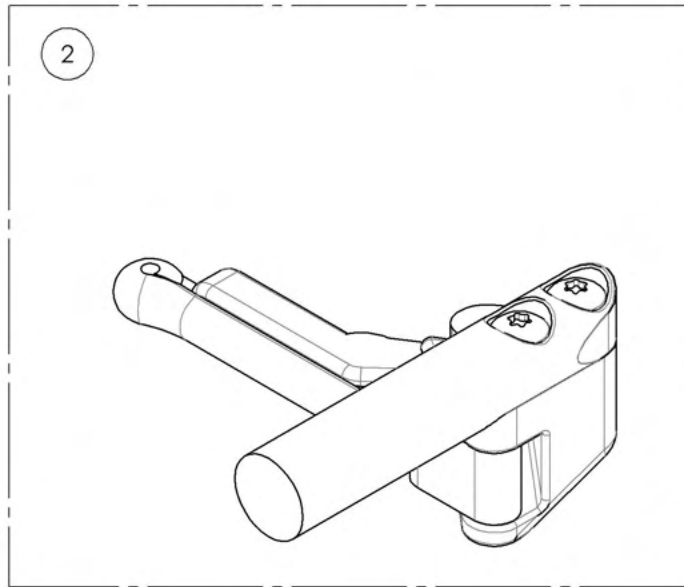


ITEM NO.	PARTNO	DESCRIPTION	9001579 /QTY.	REPLACEMENT PARTS/QTY.
1	41080	PULL TO LOCK WHEEL LOCK + HANDLE, RIGHT	1	-
2	41081	PULL TO LOCK WHEEL LOCK + HANDLE, LEFT	1	-
3	41005	REMOVABLE EXTENSION HANDLE	-	1

MAKE SURE TO HAVE YOUR SERIAL NUMBER NEARBY WHEN ORDERING PARTS FOR YOUR MOTION COMPOSITES WHEELCHAIR

9002268
Wheel Lock - Scissor (Pair)

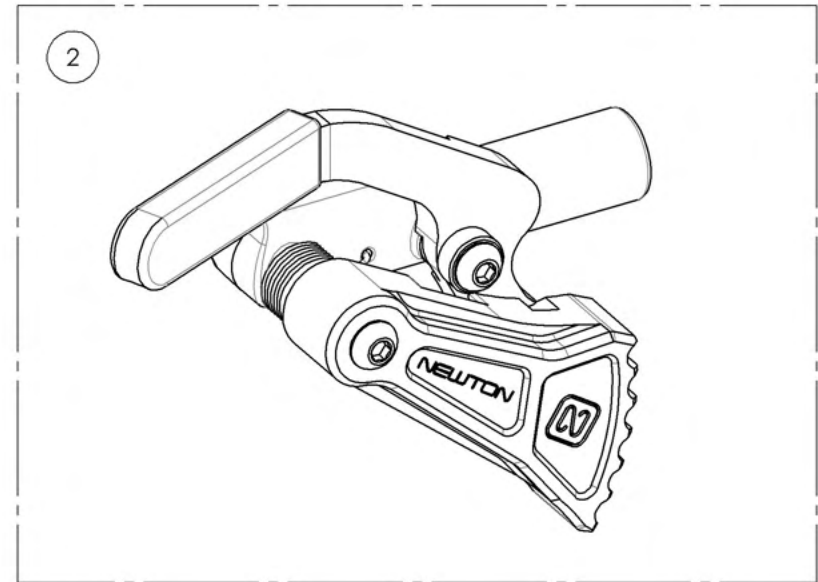
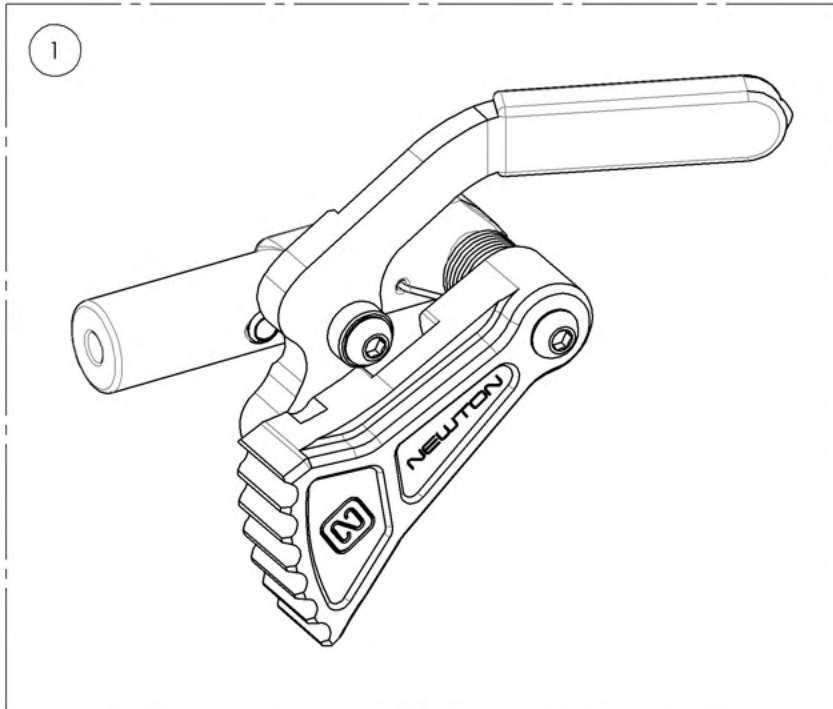
ITEM NO.	PARTNO	DESCRIPTION	9002268 /QTY.
1	41038	OUT-FRONT SCISSOR WHEEL LOCK, LEFT	1
2	41039	OUT-FRONT SCISSOR WHEEL LOCK, RIGHT	1



MAKE SURE TO HAVE YOUR SERIAL NUMBER
NEARBY WHEN ORDERING PARTS FOR YOUR
MOTION COMPOSITES WHEELCHAIR

9002269
Wheel Lock - Newton Grade Aid, Push to Lock (Pair)

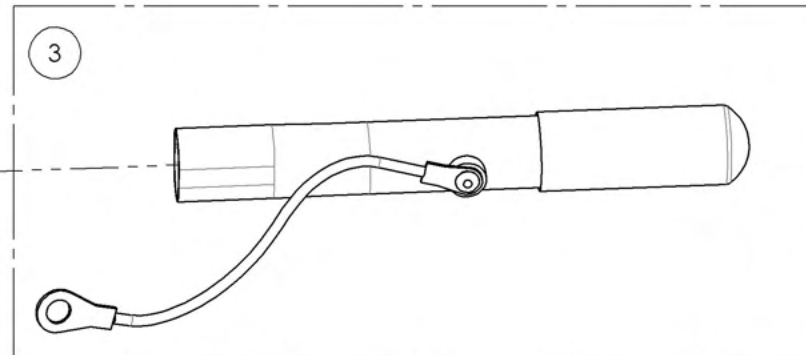
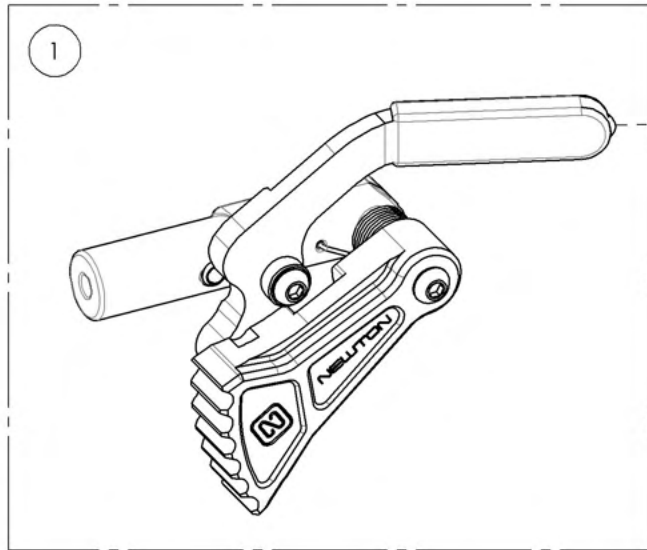
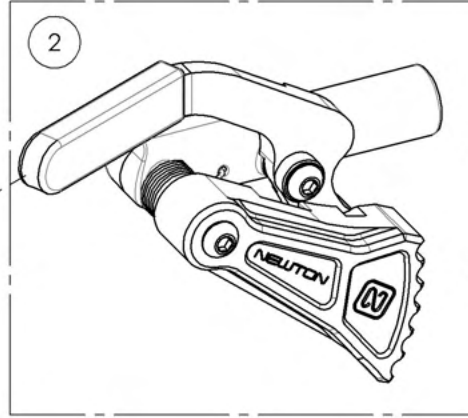
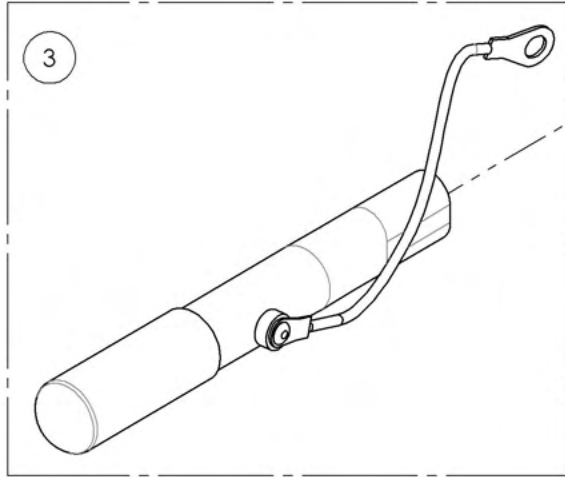
ITEM NO.	PARTNO	DESCRIPTION	9002269 /QTY.
1	41035	GRADE AID WHEEL LOCK, RIGHT - ASSY	1
2	41036	GRADE AID WHEEL LOCK, LEFT - ASSY	1



MAKE SURE TO HAVE YOUR SERIAL NUMBER
NEARBY WHEN ORDERING PARTS FOR YOUR
MOTION COMPOSITES WHEELCHAIR

9003024
Wheel Lock - Newton Grade Aid, Push to Lock, 6 in Removable Extension Handle (Pair)

ITEM NO.	PARTNO	DESCRIPTION	9003024 /QTY.
1	41035	GRADE AID WHEEL LOCK, RIGHT - ASSY	1
2	41036	GRADE AID WHEEL LOCK, LEFT - ASSY	1
3	41005	REMOVABLE EXTENSION HANDLE	2



MAKE SURE TO HAVE YOUR SERIAL NUMBER
 NEARBY WHEN ORDERING PARTS FOR YOUR
 MOTION COMPOSITES WHEELCHAIR