



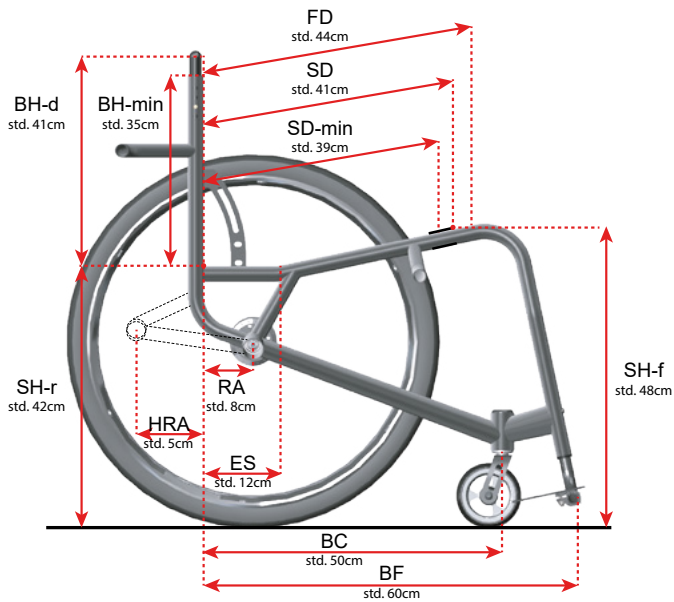
11100000100? 4800 €	
11100000300? 5100 €	
11100000400? 4800 €	
11100000200? 4800 €	
11100000550? 5600 €	
120000001500 4800 €	
120000002000 4800 €	
120000003000 4800 €	
120000004000 4800 €	
14100000150? 4850 €	

Fill in and send to Wolturnus - Udfyld og send til Wolturnus

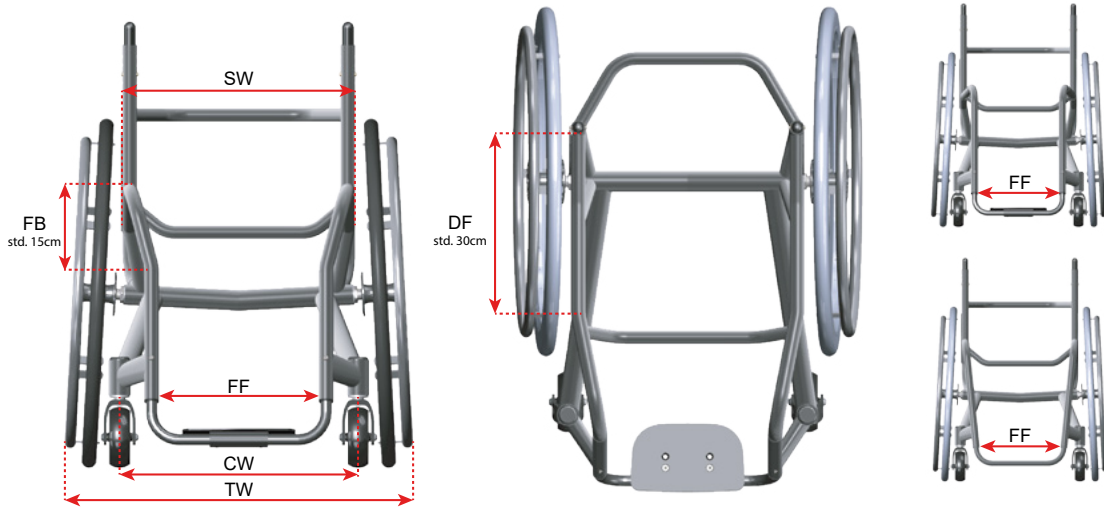
Subject to Technical Modifications and Printing Errors / Tekniske Ændringer og Druckfehler vorbehalten
Forbehold for tekniske ændringer og trykfejl

© Wolturnus A/S W5Tukan/Dalton Winter 2024 v1.4

619000001009		
619000001109		
619000001209		
619000001309		
619000001409		
619000001509		
619000001609		
619000001709		
619000001809		
619000001909		
619000002009		
619000002109		
619000002509		
619000002609		
619000002809		
619000003309		
619000003409		
619000003509		
619000003609		
619000003009 750 €		
000000001102 0 €		



	!		SW: _____ cm
	!		FD: _____ cm
	!		SD: _____ cm
	!		SD-min: _____ cm
	!		SH-r _____ cm
	!		SH-f: _____ cm
	!		C: _____ °
			BH: _____ cm
	!		BH-d: _____ cm
			BH-max: _____ cm
			BH-min: _____ cm
			RA: _____ cm
69100001010? 730 €			HRA: _____ cm
610000001009 610000??0001 255 €	!		ES: _____ cm
			BF: _____ cm
			BC: _____ cm
			CW: _____ cm
			TW: _____ cm



			FF: _____ cm
	!		FB: _____ cm
	!		FF: _____ cm
			DF: _____ cm
			FF: _____ cm



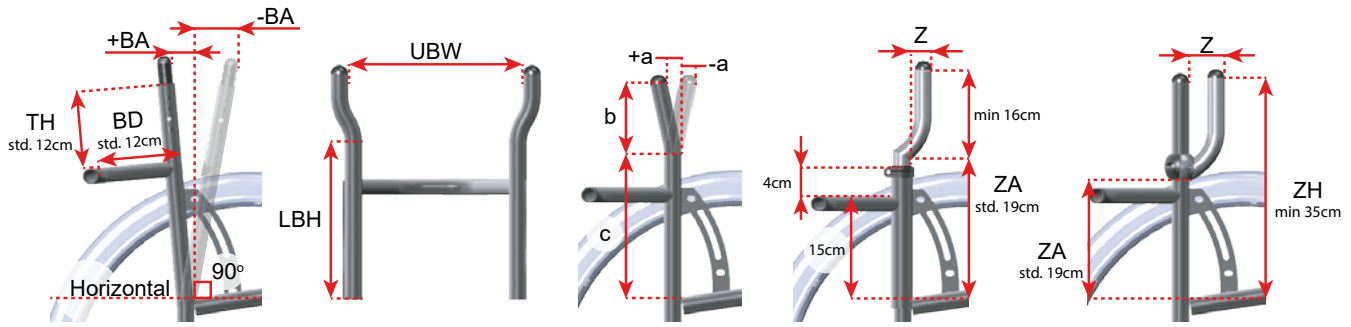
8861101013?? 325 €			
8861101013?? 325 €			
8861101013?? 425 €			
8861101013?? 425 €			
			AF: _____ cm
			AW: _____ cm
886110102001 325 €			

--	--

Fill in and send to Wolturnus - Ausfüllen und an Wolturnus senden - Udfyld og send til Wolturnus

Subject to Technical Modifications and Printing Errors / Technische Änderungen und Druckfehler vorbehalten
Forbehold for tekniske ændringer og trykfejl

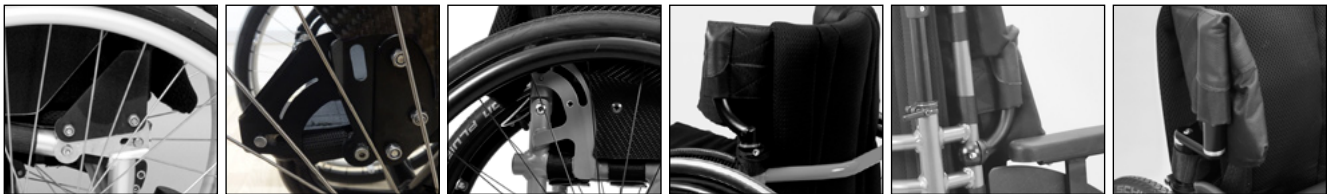
© Wolturnus A/S W5Tukan/Dalton Winter 2024 v1.4



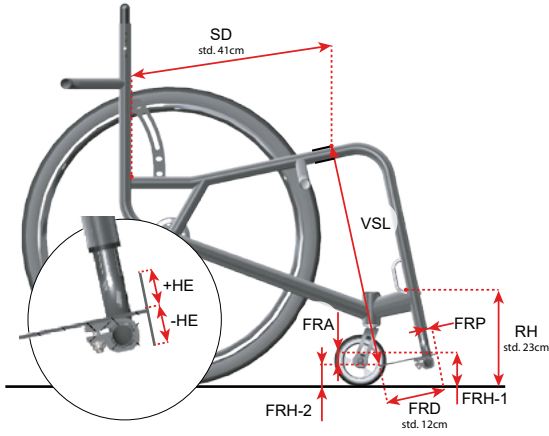
813100050???				
0 €				
813100051???				BA: _____ ±cm
366 €				
691000010130				
68 €				
813100053???				
498 €				SW-s: _____ cm

81220020000?				UBW: _____ cm
246 €				LBH: _____ cm
812200200020				a: _____ cm
147 €				b: _____ cm
				c: _____ cm
				BD: _____ cm
				TH: _____ cm

8122002001??				
560 €				
8122002001??				_____ cm
723 €				
82501000????				
560 €				ZA: _____ cm
8122002001??				Z: _____ cm
930 €				ZH: _____ cm
8122002001??				
930 €				



--	--




Fill in and send to Wolturnus - Ausfüllen und an Wolturnus senden - Udfyld og send til Wolturnus

Subject to Technical Modifications and Printing Errors / Technische Änderungen und Druckfehler vorbehalten
Forbehold for tekniske ændringer og trykfejl

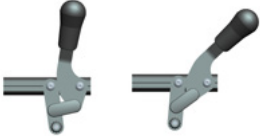

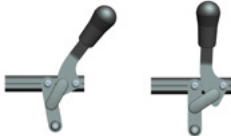







		VSL/USL: _____ cm	
		FRH-1: _____ cm	
		FRH-2: _____ cm	
		-1,5 -3	+1,5 +3
8200FF00FR00 0 € 141 €			
82??99000000 314 €			Custom FRD _____ cm
829999020004 382 €			HE: _____ ±cm
8299990000?9 0 €			
8299990100?1 272 €			FRD: _____ cm
8299990100?5 225 €			FRA: _____ cm
8299990100?3 524 €			FRD std. 12 cm FRA std. 1 cm
829999200005 0 €			
835050001001 980 € 980 €			
829999020090 230 €			
835099210001 68 €	!		
829999012001 37 €			HE: _____ ±cm
			FRP: _____ cm
691000010001 68 €			RH: _____ cm
825000000003 126 €			
840710001010 845 €			FreeWheel ^(tm) <small>Wheelchair Attachment</small>

761000000010 245 €							+0 1+ 2+ 3+ 4+ 5+
							+0 1+ 2+ 3+ 4+ 5+

710000000001 0 €						
710099990010 440 €						
710099990012 470 €						
710099990013 470 €						
710099990011 470 €						

710099990001 0 €						
710099990003 185 €						
710099990004 185 €						
710099990002 185 €						
710099990000 0 €						

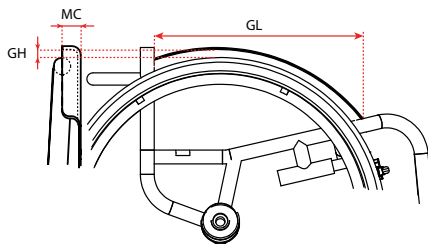
750000009000 265 € - 0 € 750000000005 68 €				!		
		!			_____ cm / _____ cm	
					5cm Std.	7cm
						Medium Std.

885110101001 0 €			
885110101003 0 €			
885110111001 199 €			
885110122002 60 € 88511012200? 120 €			
885110201009 157 € 885110200909 199 €			
885110101101 199 €			
885110111101 199 €			
951519204000 90 € 180 €			
885110201209 225 €			
885110201300 250 €			
85511020130? 400 €			
8400002072XX 450 €			
951500020019 70 € 951519300007 70 €			
691000020001 170 €			

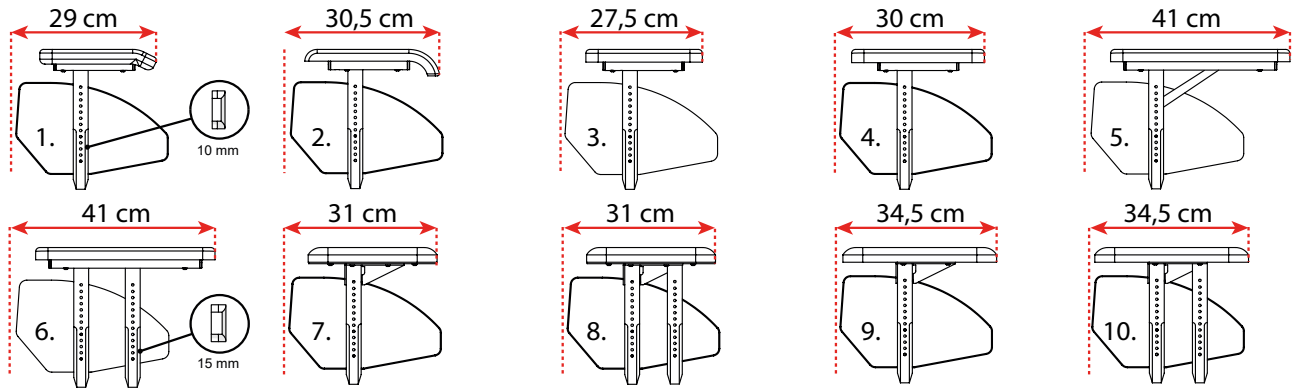
				
881000100003 0 €				
881000600003 0 €				
881000?0000 340 €				
88100010000? 0 €				
88100040000? 300 €				
8810005000?? 744 €				
88100020000? 725 €				
8810003000?? 800 €				









883124101014 240 €			
681000010002 70 €			
681000010052 70 €			
7670000000?? 170 €			

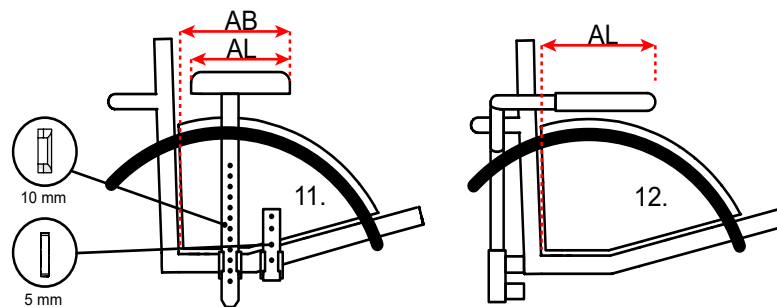
		GH: _____ cm
		GL: _____ cm
		MC: _____ cm

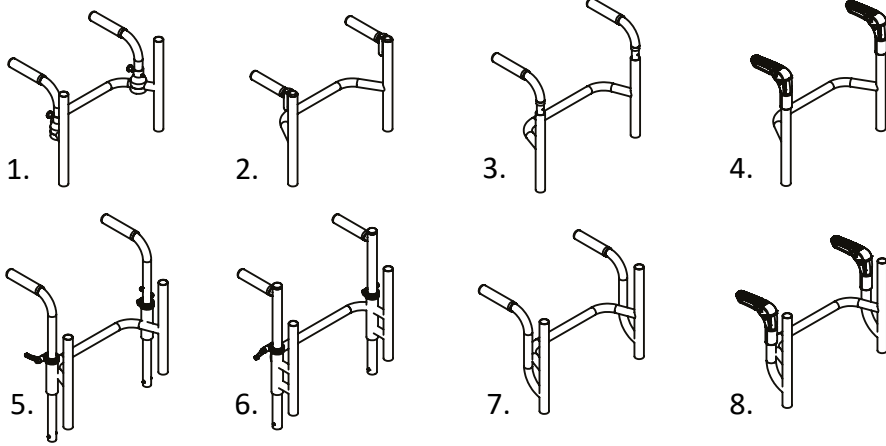


--	--



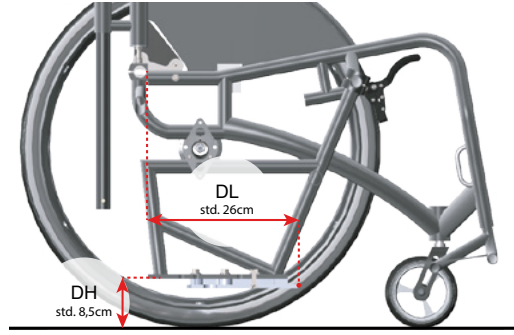
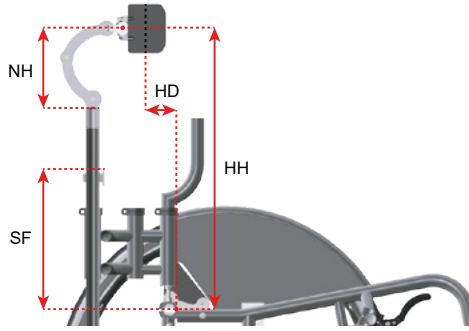
881001000003 550 €		AB = 29 cm AL = 23,5 cm	
881001100003 550 €		AB = 30,5 cm AL = 27,5 cm	
881001200003 550 €		AB = 27,5 cm AL = 23,5 cm	
881001300003 550 €		AB = 30 cm AL = 27 cm	
881001?00003 800 € 950 €		AB = 41 cm AL = 37 cm	
881001?00003 850 € 1000 €		AB = 31 cm AL = 26 cm	
881001?00003 850 € 1000 €		AB = 34,5 cm AL = 31 cm	
681000010004 175 €			
681000010007 95 €			
883124101002 555 €			AL: _____ cm
	!		AS: _____ cm











81310005??09 330 €		1.	
81310005?106 314 €		2.	
81310005?206 367 €			
81310005?108 314 €		3.	
81310005?208 367 €			
81310005?107 183 €		4.	
81310005?207 230 €			
81310005??02 524 €		5.	
81310005??03 524 €		6.	
81310005??04 367 €		7.	
81310005??05 576 €		8.	
			PH: _____ cm

--	--















884100013001 240 €				
884100014002 345 €				
951000080130 90 €				NH: _____ cm
951000080131 110 €				
951000080141 110 €				HH: _____ cm
951000080142 110 €				
840000100831 180 €				
840000100832 210 €				HD: _____ cm
884100250100 190 €				SF: _____ cm

825000000001 288 €				
887000200002 498 €				
887000200011 2.400 €				DL: _____ cm DH: _____ cm

69100002002? 275 €				
886210101001 340 €				
7600000100?? 68 € 63 €				
76100000000? 162 € 225 €				
7711000007?? 110 € 110 € 110 €				
771100000747 110 €				
953001040120 110 €				

--	--	--	--	--




860010201251	0 €	Std.	LED
860010201000	0 €		
860010201001	0 €		
860010200801	0 €		
860010101401	0 €	29mm	40mm
860010101253	0 €		
860010101251	0 €		
860010101002	0 €		
860010200910	178 €		
860010200900	178 €		
8600101015??	450 €		
8600101015??	450 €		
86001010201?	0 €		
	0 €		
	0 €		
8600101020??	0 €		
	0 €		
860020000000	+52 €		
86001020150?	325 €		
	325 €		
860010201???	325 €		
	NA		
	325 €		
	325 €		
860010201???	325 €		
	325 €		
	NA		
	325 €		
860010201???	377 €		
	377 €		
	377 €		
	377 €		
860010201???	377 €		
	377 €		
	377 €		
	377 €		
	0 €		
	160 €		
	160 €		
	160 €		
885201001001	600 €		
862400001009	314 €		


	22"	24"	25"	26"	
85102??01009					0.-
85102?10100?	-			-	0.-
8510??101002				-	257 €
851124201009	-		-	-	471 €

853728111019							
853728111020			-		817 €		!
853728111021							

853728111009			-	-	1.309 €		!
853728111010							

	22"	24"	25"	26"		
85352?101008					895 €	
85352?101208					895 €	
85352?101508	-				895 €	
85352?101308					895 €	
85352?102108					895 €	
85352?101009					695 €	
85352?101209					695 €	
85352?101509	-				695 €	
85352?101309					695 €	
85352?101709					695 €	

85352?101608					950 €	
85352?101408	-			-	950 €	
85352?101808					950 €	
85352?101708					950 €	
85362?241008					950 €	
85362?241208	-				950 €	
85362?241508					950 €	
85362?241308					950 €	
85362?181008					950 €	
85362?181208	-				950 €	
85362?181508					950 €	
85362?181308					950 €	

85342410042?					4.230 €	
85342410043?	-			-	4.545 €	

--	--







	22"	24"	25"	26"	
96622?010001				-	0 €
96622?01000?					68 €
96622?010009					146 €
96622?010021			-	-	146 €
966224010013	-		-	-	68 €
96622?011008	-			-	68 €
966224010007	-		-	-	68 €

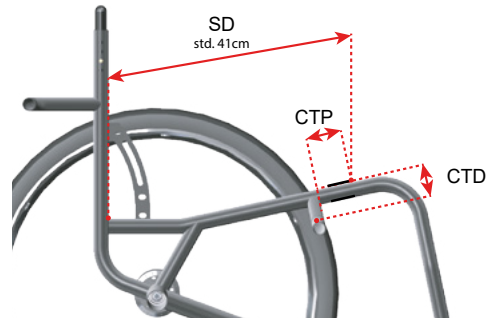
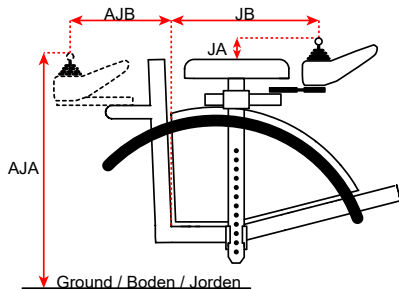
85512?10200?					0 €
85512?102008	-			-	194 €
85502?103009	-				178 €
85552?000009					503 € 629 €
8554202?0601	-				315 €
8554262?0601	-				575 €
8554272?0601	-				575 €
8554282?0601					700 €
9669282?0602					700 €
8554302?0601					700 €
8554502?060?	-			-	700 €
8554502?060?	-			-	700 €

			!		

85712?102009					178 €
--------------	--	--	--	--	-------

--	--

853728111062			595 €	
853728111061			595 €	
853727110001			1.240 €	
853727110001			1.240 €	
853727110002			1.240 €	
853727110002			1.240 €	
853728111?65			90 €	
853727110003			1.240 €	
853727110004			1.240 €	
853727110005			1.240 €	
853727110007			1.240 €	
951099250460			200 €	
951099250560			200 €	
853728120000			225 €	
0 €				JB: _____ cm
				JA: _____ cm
				AJB: _____ cm
				AJA: _____ cm
825000000007 115 €				CTP: _____ cm
				CTD: _____ cm



000000001104 100 €		EN ISO 14971
P.4		
P.5		
P.6		
P.7		
P.9		
P.10		
P.11		
P.12		
P.13		
P.14		
P.15		
P.16		

