

SPARE PART CATALOG

# ***Corpus 3G***

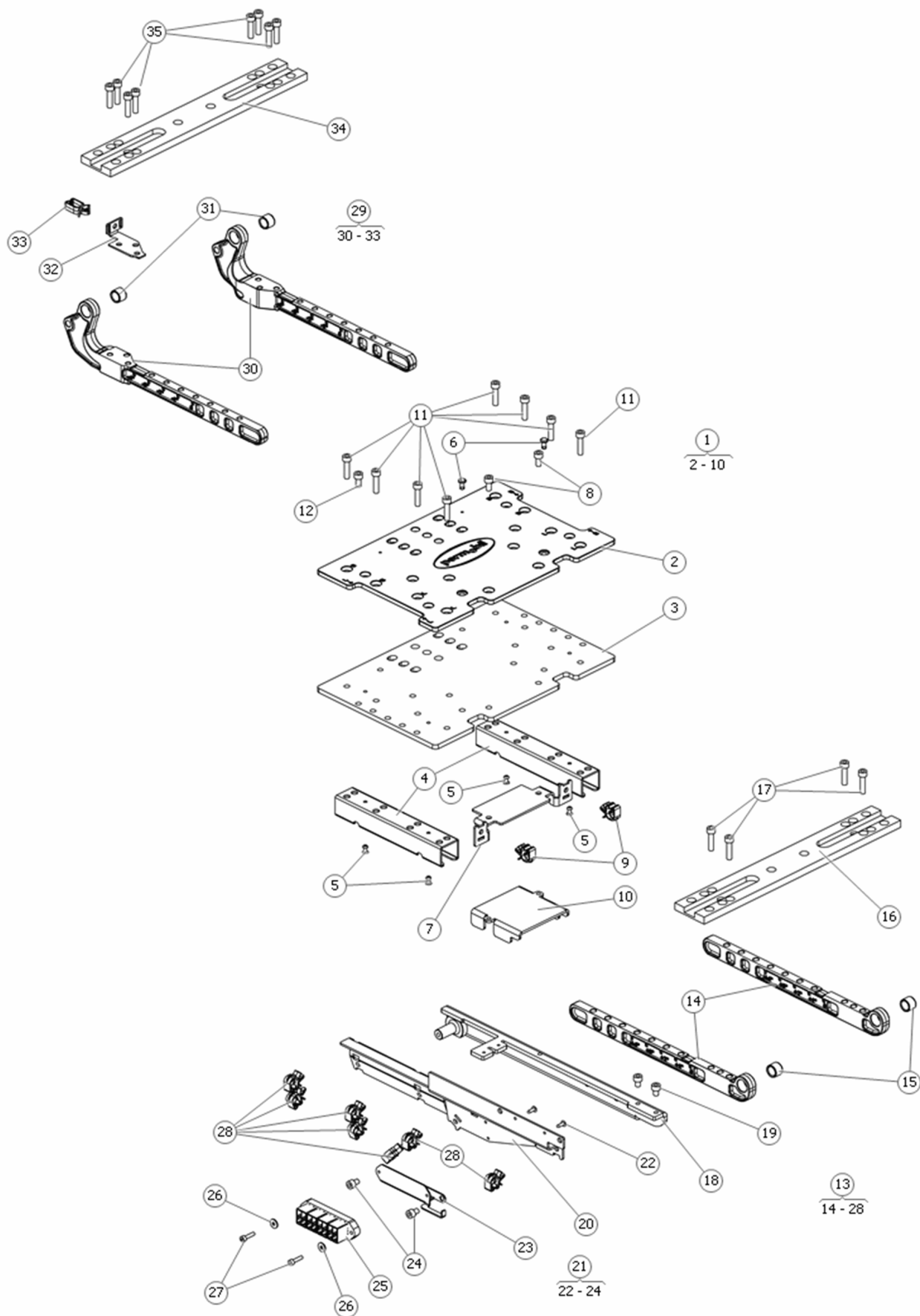
Seating system for Permobil power wheelchairs

**permobil**  
THE POWER OF MOBILITY

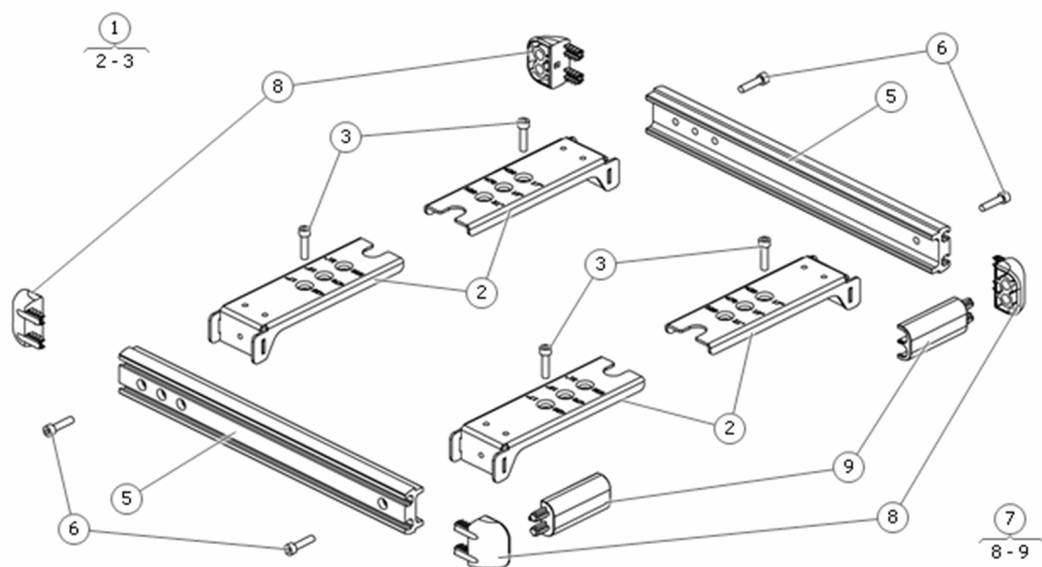
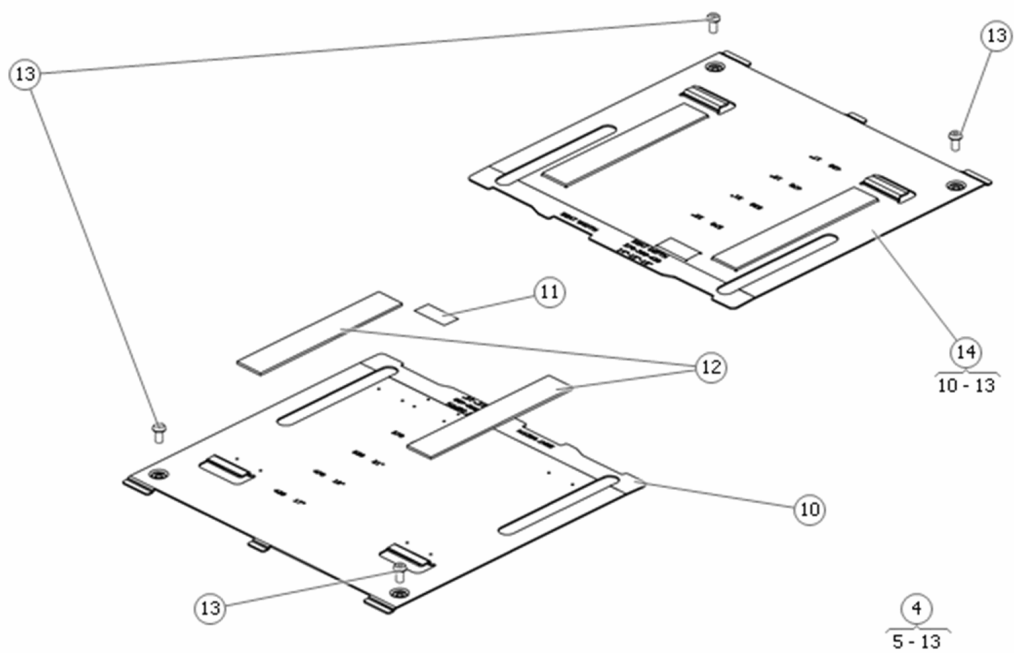


| <b>Contents</b>                        | <b>Page</b> |
|----------------------------------------|-------------|
| Seat plate .....                       |             |
| Seat widening .....                    |             |
| Backrest hinge .....                   |             |
| Backrest fixed/slide .....             |             |
| Backrest plate .....                   |             |
| Backrest recline options .....         |             |
| Armrest right .....                    |             |
| Armrest left .....                     |             |
| Panelholders .....                     |             |
| Panelholders PLG .....                 |             |
| Without legrest .....                  |             |
| Legrest .....                          |             |
| Footplate .....                        |             |
| Legrest VS .....                       |             |
| Footplate VS .....                     |             |
| Knee support .....                     |             |
| Legrest angle adjustment options ..... |             |
| Power transfer legrest .....           |             |
| Power adjustable leglength .....       |             |
| Tilt .....                             |             |
| Fixed seat/adapters .....              |             |
| Cushion & supports .....               |             |
| Cables & Electronics .....             |             |
| Contact info. ....                     |             |
| Ordering Information .....             |             |

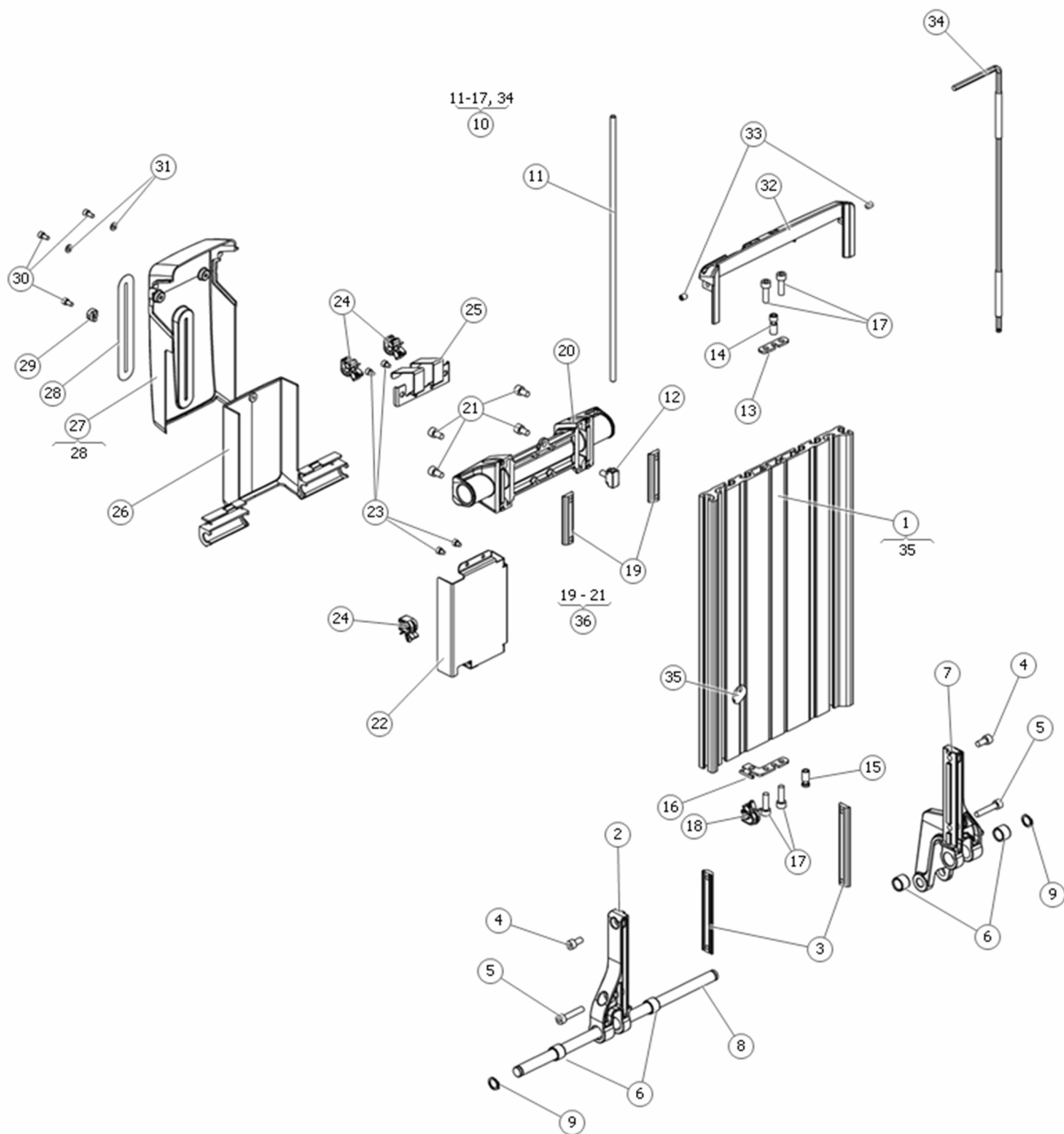
Produced and published by Permobil AB, Sweden  
 Release date 2015-08-14  
 PAB: 1269-3



| Pos | Qty | Stock Code  | Description                               | Remark |
|-----|-----|-------------|-------------------------------------------|--------|
| 1   | 1   | 1825584     | SITSPLATT/SITSRAM INKL.                   |        |
| 2   | 1   |             | Plate                                     |        |
| 3   | 1   |             | Plate                                     |        |
| 4   | 1   |             | Plate                                     |        |
| 5   | 1   |             | Blind rivet Ø4,8x12,5 St/St (7,9-9,5)     |        |
| 6   | 1   |             | Blind rivet Ø6,4x15,8 NYLON (7,1-12,7)    |        |
| 7   | 1   |             | Bracket                                   |        |
| 8   | 1   | 600192-99-0 | SKRUV MC6S 6x 12 fzb                      |        |
| 9   | 1   | 612953-00-0 | KABELFÄSTE 20x10x28 PA                    |        |
| 10  | 1   |             | Plate                                     |        |
| 11  | 1   | 600195-99-0 | SKRUV MC6S 6x 25 fzb                      |        |
| 12  | 1   | 600192-99-0 | SKRUV MC6S 6x 12 fzb                      |        |
| 13  | 1   | 1826431     | SITSRAM JUSTERBAR FRÄMRE                  |        |
| 14  | 1   | 1825534     | FÄSTE JUST FRÄMRE SITSRAM                 |        |
| 15  | 1   | 1825542     | BUSSNING 12/16x12 PDE                     |        |
| 16  | 1   | 1829665     | SITSRAMSSKENA C3G                         |        |
| 17  | 4   | 600195-99-0 | SKRUV MC6S 6x 25 fzb                      |        |
| 18  | 1   | 1825592     | FÄSTE S.DON BENSTÖD                       |        |
| 19  | 1   | 601359-99-0 | SKRUV MC6S 6x 8 fzb                       |        |
| 20  | 1   |             | Bracket                                   |        |
| 21  | 1   |             | Bracket                                   |        |
| 22  | 1   |             | Blind rivet Ø3,2x11,4 St/St (1,1-4,0)     |        |
| 23  | 1   |             | Bracket                                   |        |
| 24  | 1   | 601359-99-0 | SKRUV MC6S 6x 8 fzb                       |        |
| 25  | 1   | 1821304     | KOPPLINGSBOX ICS                          |        |
| 26  | 1   | 600829-99-0 | BR BRB 4.3x12x1 fzb                       |        |
| 27  | 1   | 600272-99-0 | SKRUV MC6S 4x16 fzb                       |        |
| 28  | 1   | 612953-00-0 | KABELFÄSTE 20x10x28 PA                    |        |
| 29  | 1   | 1828613     | RYGGSTÖDSLED C3G RESERV-                  |        |
| 30  | 1   |             | Brkt adj.rear seat frame/back hinge left  |        |
| 30  | 1   |             | Brkt adj.rear seat frame/back hinge right |        |
| 31  | 1   | 1825542     | BUSSNING 12/16x12 PDE                     |        |
| 32  | 1   |             | Bracket                                   |        |
| 33  | 1   | 602510-00-0 | KABELFÄSTE HCMP06                         |        |
| 34  | 1   | 1829665     | SITSRAMSSKENA C3G                         |        |
| 35  | 1   | 600195-99-0 | SKRUV MC6S 6x 25 fzb                      |        |

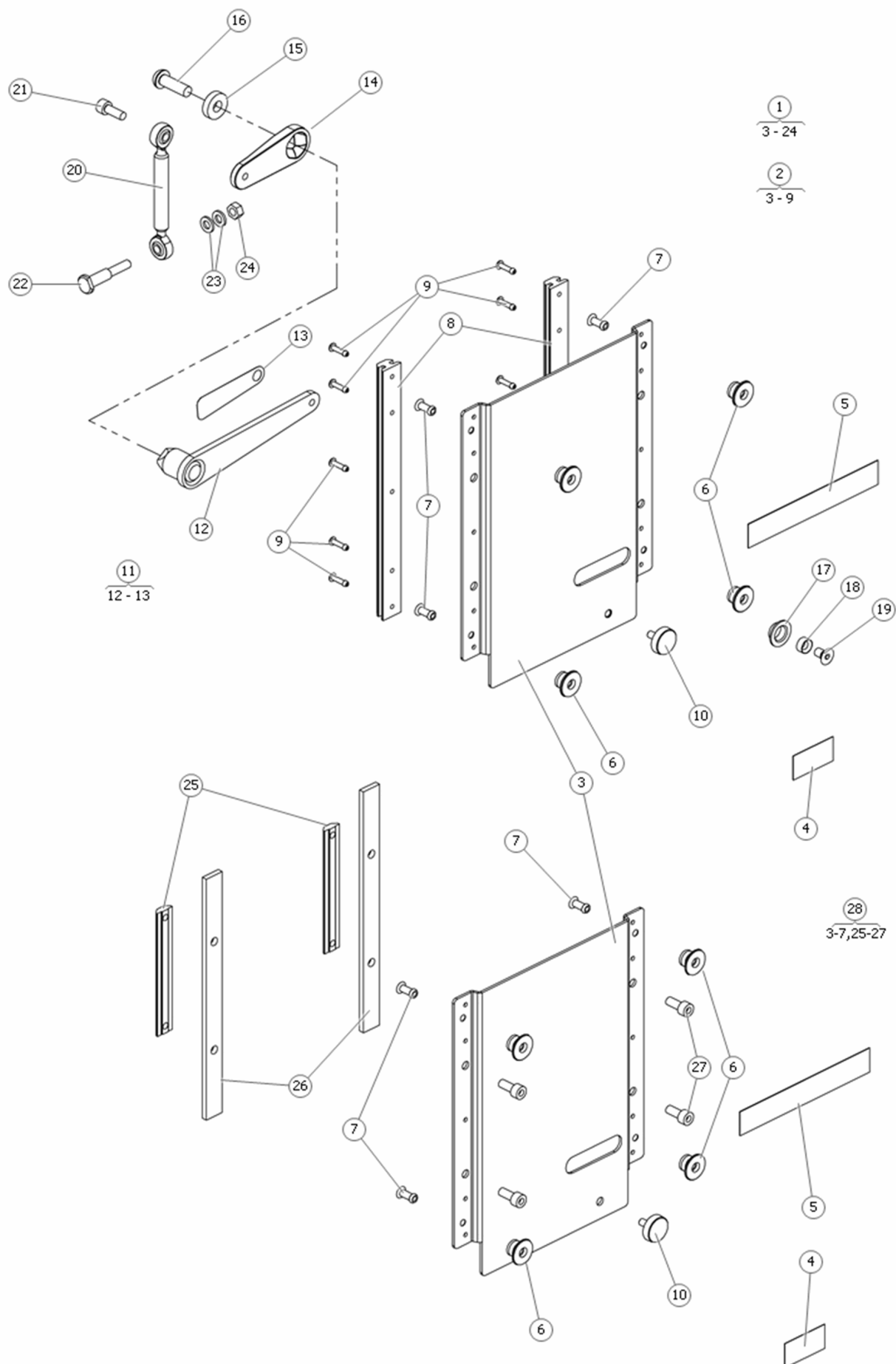


| Pos | Qty | Stock Code  | Description                 | Remark |
|-----|-----|-------------|-----------------------------|--------|
| 1   | 1   |             | Seat widening               |        |
| 2   | 1   | 1825585     | FÄSTE SITSPLATTA C 3G       |        |
| 2   | 1   | 1825586     | FÄSTE SITSPLATTA C 3G       |        |
| 3   | 1   | 600195-99-0 | SKRUV MC6S 6x 25 fzb        |        |
| 4   | 1   | 1828883     | SITSRAM 370-420 DJUP        |        |
| 4   | 1   | 1828884     | SITSRAM 445-495 DJUP        |        |
| 4   | 1   | 1828885     | SITSRAM 520-570 DJUP        |        |
| 5   | 2   | 1829060     | UNITRACKSKENA 370-395-420   |        |
| 5   | 2   | 1829061     | UNITRACKSKENA 445-470-495   |        |
| 5   | 2   | 1829062     | UNITRACKSKENA 520-545-570   |        |
| 6   | 1   | 600195-99-0 | SKRUV MC6S 6x 25 fzb        |        |
| 7   | 1   | 1826126     | PLASTPLUGGSATS SITSRAM      |        |
| 8   | 1   |             | PLASTIC PLUG                | EACH   |
| 8   | 1   |             | Plastic plug                |        |
| 9   | 1   |             | Cover                       |        |
| 10  | 1   |             | Seatplate depth=370-395-420 |        |
| 10  | 1   |             | Seatplate depth=445-470-495 |        |
| 10  | 1   |             | Seatplate depth=520-545-570 |        |
| 11  | 1   | 1826135     | DEKALSATS C 3G/a            |        |
| 11  | 1   |             | Sticker                     |        |
| 12  | 1   |             | Velcro tape W=30 L=180mm    |        |
| 13  | 1   | 600736-99-0 | SKRUV K6S 6x10 fzb          |        |
| 14  | 2   | 1829057     | SITSPLATTA 370-395-420      |        |
| 14  | 2   | 1829058     | SITSPLATTA 445-470-495      |        |
| 14  | 2   | 1829059     | SITSPLATTA 520-545-570      |        |

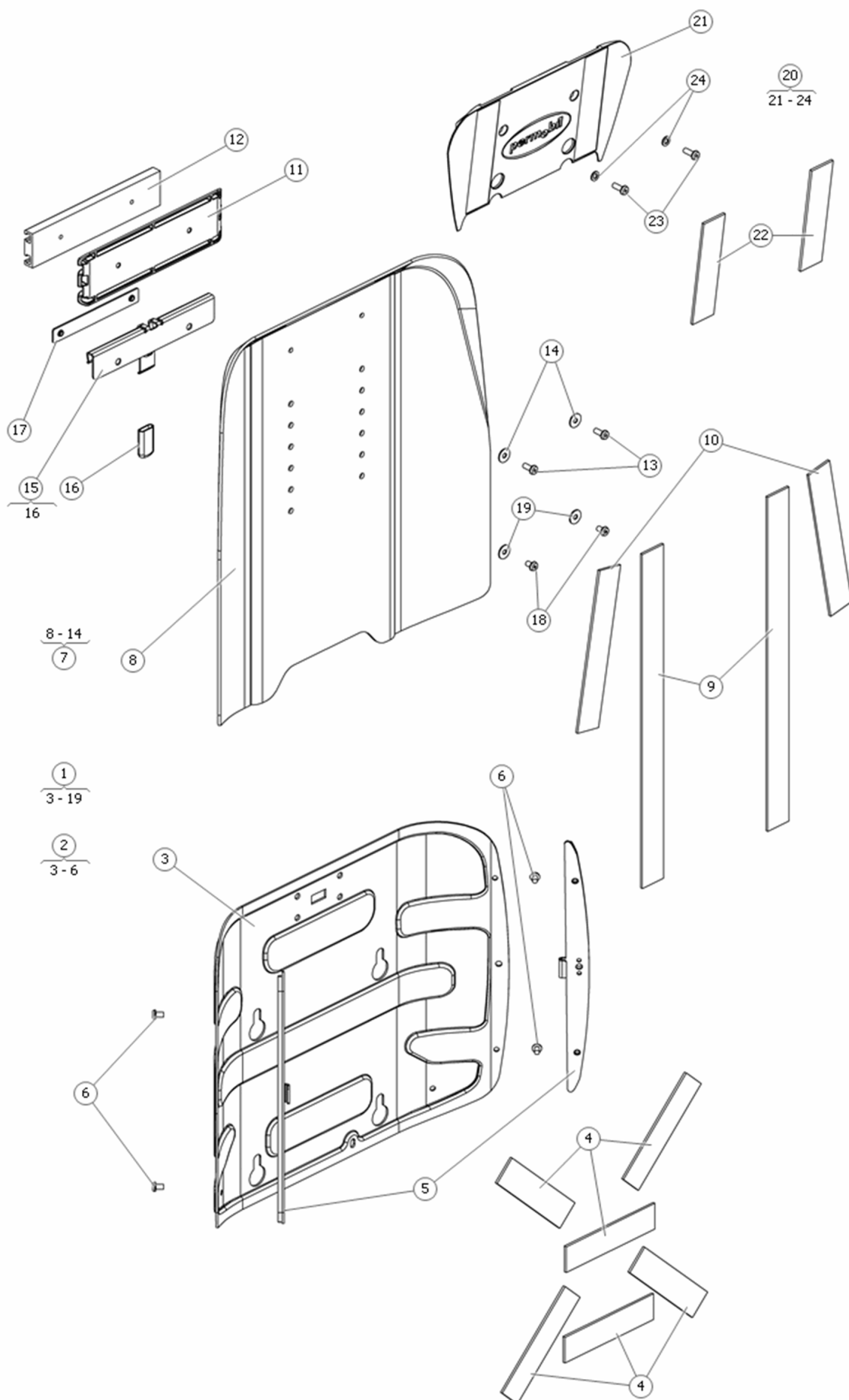




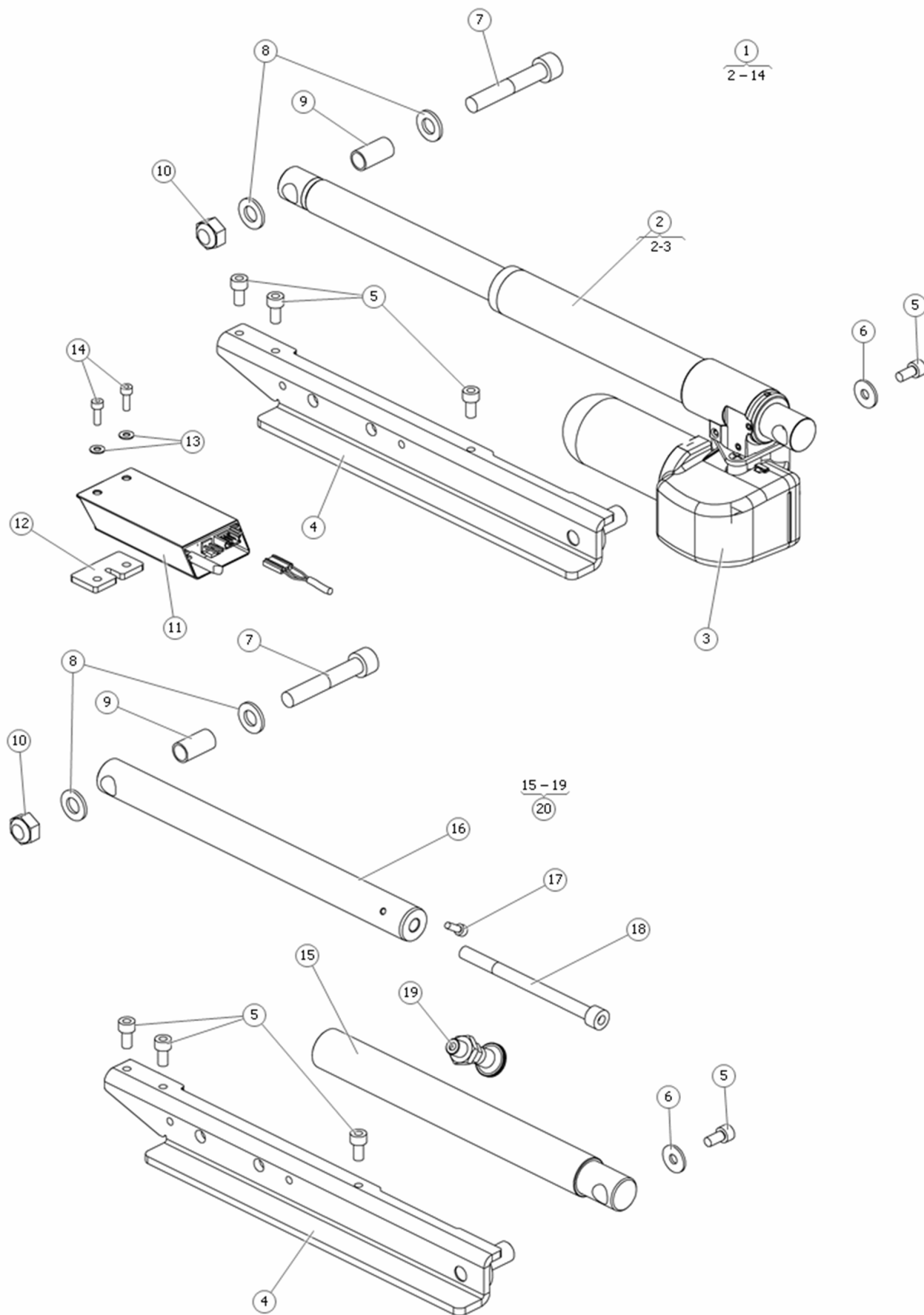
| Pos | Qty | Stock Code  | Description              | Remark                                              |
|-----|-----|-------------|--------------------------|-----------------------------------------------------|
| 1   | 1   | 1828207     | PROFILSATS RYGGSTÖD C 3G |                                                     |
| 2   | 1   | 1825588     | RYGGSTÖDSLED HÖGER       |                                                     |
| 3   | 1   | 1825464     | MUTTER UNITRACK 90mm.    |                                                     |
| 4   | 1   | 600193-99-0 | SKRUV MC6S 6x 14 fzb     |                                                     |
| 5   | 1   | 600196-99-0 | SKRUV MC6S 6x 30 fzb     |                                                     |
| 6   | 1   | 1825542     | BUSSNING 12/16x12 PDE    |                                                     |
| 7   | 1   | 1825549     | RYGGSTÖDSLED/LÄNKARM VÄ  |                                                     |
| 8   | 1   | 1825587     | AXEL RYGGLED 308mm       |                                                     |
| 9   | 1   | 601225-99-0 | SPÄRRING SgA 12          |                                                     |
| 10  | 1   | 1825463     | SKRUV ARMSTÖD HÖJD       |                                                     |
| 11  | 1   |             | Bar threaded M6          |                                                     |
| 12  | 1   |             | Slide bar                |                                                     |
| 13  | 1   |             | Plate                    |                                                     |
| 14  | 1   |             | Socket                   |                                                     |
| 15  | 1   |             | Socket                   |                                                     |
| 16  | 1   |             | Plate                    |                                                     |
| 17  | 1   | 600194-99-0 | SKRUV MC6S 6x 20 fzb     |                                                     |
| 18  | 1   | 612953-00-0 | KABELFÄSTE 20x10x28 PA   |                                                     |
| 19  | 1   | 1825465     | MUTTER UNITRACK 50mm     |                                                     |
| 20  | 1   | 1828546     | ARMST.LED C3G            | Please add 2pcs. 1826394 "SCREW M6" to Your order   |
| 20  | 1   |             | Armrest Hinge Only       |                                                     |
| 21  | 1   | 600192-99-0 | SKRUV MC6S 6x 12 fzb     |                                                     |
| 22  | 1   |             | Plate                    |                                                     |
| 23  | 1   | 601282-99-0 | SKRUV MC6S 4x 5 fzb      |                                                     |
| 24  | 1   | 612953-00-0 | KABELFÄSTE 20x10x28 PA   |                                                     |
| 25  | 1   |             | Plate                    |                                                     |
| 26  | 1   | 1826117     | KÅPA RYGG NEDRE          |                                                     |
| 27  | 1   | 1826118     | KÅPA RYGG                |                                                     |
| 28  | 1   | 1826135     | DEKALSATS C 3G/a         |                                                     |
| 29  | 1   | 1826119     | PLASTKNOPP RYGG          |                                                     |
| 30  | 1   | 600182-99-0 | SKRUV MC6S 4x 8 fzb      |                                                     |
| 31  | 1   | 601296-99-0 | BR BRB 4.3x 9x0.8 fzb    |                                                     |
| 32  | 1   | 1825582     | KÅPA RYGGSTÖDSTOPP       |                                                     |
| 33  | 1   | 1825583     | SKRUV -JUSTER M6x8 45H   |                                                     |
| 34  | 1   | 1826120     | INSEXYCKEL 5mm GUMMERAD  |                                                     |
| 35  | 1   |             | Bushing                  |                                                     |
| 36  | 1   | 1827692     | HINGE ARMREST/a          | Take pos.20 and add 2x 1826394(screws) to Your or.. |



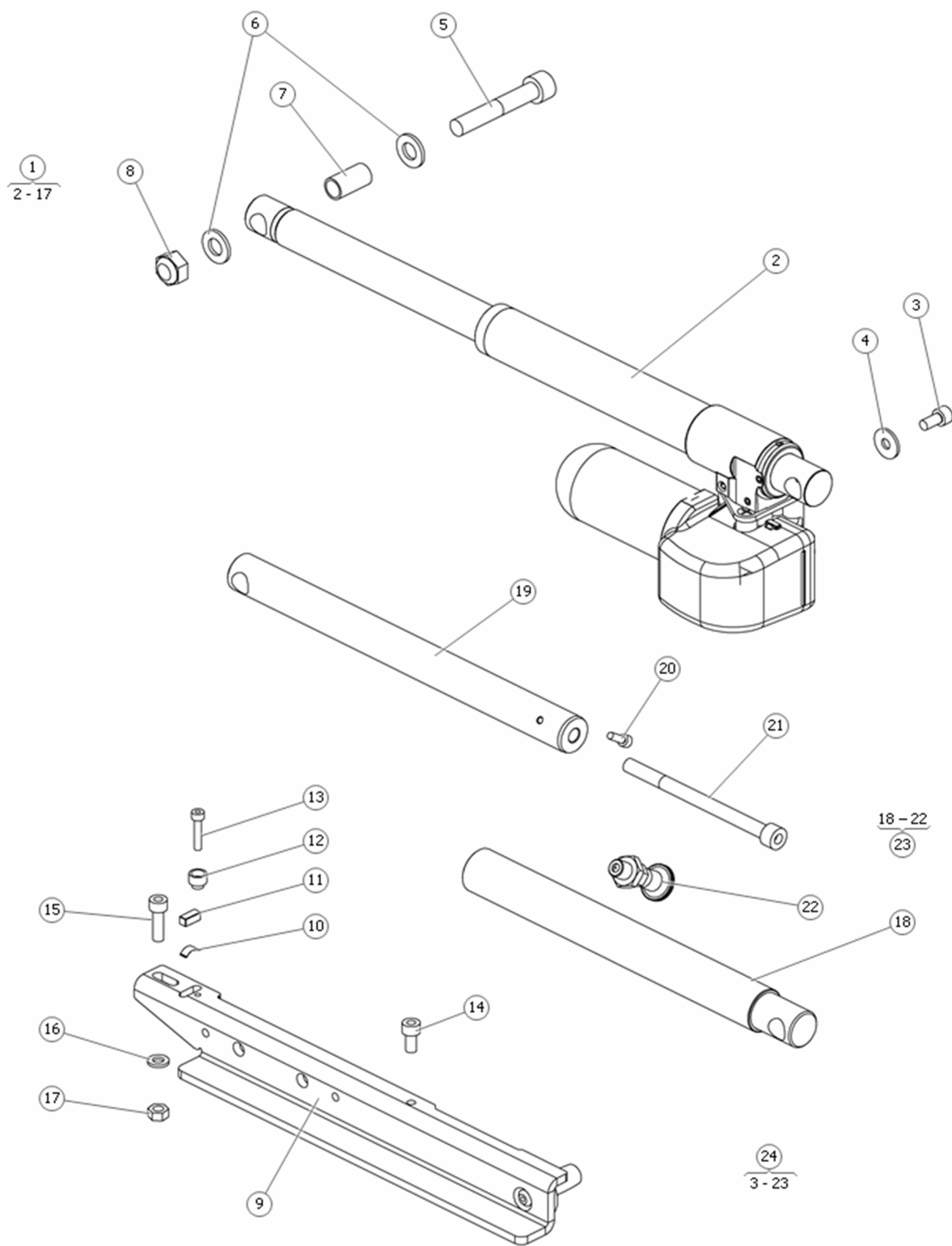
| Pos | Qty | Stock Code  | Description                                     | Remark |
|-----|-----|-------------|-------------------------------------------------|--------|
| 1   | 1   | 1825618     | GLIDRYGGSATS C3G                                |        |
| 2   | 1   | 1826110     | RYGGSTÖD GLID                                   |        |
| 3   | 1   |             | Plate                                           |        |
| 4   | 1   |             | Velcro tape loop W=20 L=40                      |        |
| 5   | 1   |             | Velcro tape loop W=20 L=130                     |        |
| 6   | 1   |             | Bracket                                         |        |
| 7   | 1   |             | Blind rivet Ø5,0x16 St/St (9,5-11)              |        |
| 8   | 1   |             | Slide bar                                       |        |
| 9   | 1   |             | Blind rivet Ø3,2x16 A2-Stainless St (10,5-12,5) |        |
| 10  | 1   | 602391-99-0 | LÄSRATT 71-020 M5x12                            |        |
| 11  | 1   |             | ARM BACK SLIDE                                  |        |
| 12  | 1   |             | Angle link                                      |        |
| 13  | 1   |             | Tape teflon                                     |        |
| 14  | 1   | 1825611     | LÄNKARM KORT GLIDRYGG                           |        |
| 15  | 1   |             | Washer Ø8,5x20x5                                |        |
| 16  | 1   | 1828843     | SCREW M8x25 10.9 LOCKING                        |        |
| 16  | 1   | 602165-99-0 | SKRUV K6S 8x25 fzb                              |        |
| 17  | 1   | 1825613     | BUSSNING 4mm                                    |        |
| 18  | 1   |             | SOCKET SLIDING BACK                             |        |
| 19  | 1   | 601265-99-0 | SKRUV MF6S 6x10 fzb                             |        |
| 19  | 1   | 601265-99-0 | SKRUV MF6S 6x10 fzb                             |        |
| 20  | 1   | 1825610     | LÄNK JUSTERBAR GLIDRYGG                         |        |
| 21  | 1   | 600743-99-0 | SKRUV MC6S 6x 16 fzb                            |        |
| 22  | 1   | 1825614     | AXEL GLIDRYGG                                   |        |
| 23  | 1   | 600238-99-0 | BR BRB 6.4x12x1.6 fzb                           |        |
| 24  | 1   | 600227-99-0 | LÄSMUTTER M 6 fzb                               |        |
| 25  | 1   | 1825464     | MUTTER UNITRACK 90mm.                           |        |
| 26  | 1   |             | Spacer wash                                     |        |
| 27  | 1   | 600193-99-0 | SKRUV MC6S 6x 14 fzb                            |        |
| 28  | 1   | 1826445     | RYGGSTÖDSSATS FAST RYGG                         |        |



| Pos | Qty | Stock Code  | Description                  | Remark |
|-----|-----|-------------|------------------------------|--------|
| 1   | 1   | 1827159     | RYGGSATS JUSTERBAR 360mm     |        |
| 1   | 1   | 1827160     | RYGGSATS JUSTERBAR 410mm.    |        |
| 1   | 1   | 1827162     | RYGGSATS JUSTERBAR 460mm.    |        |
| 1   | 1   | 1828741     | RYGGSTÖDSSATS HJÖD JUST      |        |
| 2   | 1   | 1826374     | RYGGSTÖD UNDRE B 360mm       |        |
| 2   | 1   | 1826376     | RYGGSTÖD NEDRE B 410mm       |        |
| 2   | 1   | 1826378     | RYGGSTÖD UNDRE B 460mm       |        |
| 2   | 1   | 1828742     | RYGGSTÖDSPLATTA NEDRE        |        |
| 3   | 1   |             | Backrest plate lower W=360mm |        |
| 3   | 1   |             | Backrest plate lower W=410mm |        |
| 3   | 1   |             | Backrest plate lower W=460mm |        |
| 3   | 1   |             | Backrest plate lower W=510mm |        |
| 4   | 1   |             | Velcro tape Hook W=30 L=125  |        |
| 5   | 1   |             | Bracket                      |        |
| 6   | 1   | 600189-99-0 | SKRUV MC6S 5x10 fzb          |        |
| 7   | 1   | 1826375     | RYGGSTÖD ÖVRE B 360mm        |        |
| 7   | 1   | 1826377     | RYGGSTÖD ÖVRE B 410mm        |        |
| 7   | 1   | 1826379     | RYGGSTÖD ÖVRE B 460mm        |        |
| 7   | 1   | 1828743     | RYGGSTÖDSPLATTA ÖVRE         |        |
| 8   | 1   |             | NOTAVAILABLE                 |        |
| 8   | 1   |             | Backrest upper plate W=360mm |        |
| 8   | 1   |             | Backrest upper plate W=410mm |        |
| 8   | 1   |             | Backrest upper plate W=460mm |        |
| 8   | 1   |             | Backrest upper plate W=510mm |        |
| 9   | 1   |             | Velcro tape Hook W=30 L=390  |        |
| 10  | 1   |             | Velcro tape L=182 Hook       |        |
| 11  | 1   | 1827697     | FÄSTE UNITRACKSKENA          |        |
| 12  | 1   | 1827698     | UNITRACKSKENA 180mm.         |        |
| 13  | 1   | 601170-99-0 | SKRUV K6S 5x16 fzb           |        |
| 14  | 1   | 612857-99-0 | WASHER 5,3x15x1 FZB ISO 7    |        |
| 15  | 1   | 1826111     | FÄSTE RYGGSTÖDSPLAT          |        |
| 16  | 1   | 601823-00-0 | PLASTKN REKT 4x16x30         |        |
| 17  | 1   | 1826381     | MUTTERPLATTA                 |        |
| 18  | 1   | 600740-99-0 | SKRUV K6S 5x 8 fzb           |        |
| 19  | 1   | 612857-99-0 | WASHER 5,3x15x1 FZB ISO 7    |        |
| 20  | 1   | 1827051     | KIL RYGGSTÖD 360mm           |        |
| 20  | 1   | 1827052     | KIL RYGGSTÖD 410mm           |        |
| 20  | 1   | 1827053     | KIL RYGGSTÖD 460mm           |        |
| 20  | 1   | 1828744     | KIL RYGGSTÖD 510mm           |        |
| 21  | 1   |             | Wedge W=410                  |        |
| 21  | 1   |             | Wedge W=360                  |        |
| 21  | 1   |             | Wedge W=460                  |        |
| 21  | 1   |             | Wedge W=510                  |        |
| 22  | 1   |             | Velcro tape Hook W=30 L=125  |        |
| 23  | 1   |             | BOLT K6S 5x20 fzb            |        |
| 24  | 1   | 600237-99-0 | BR BRB 5.3x10x1 fzb STD      |        |

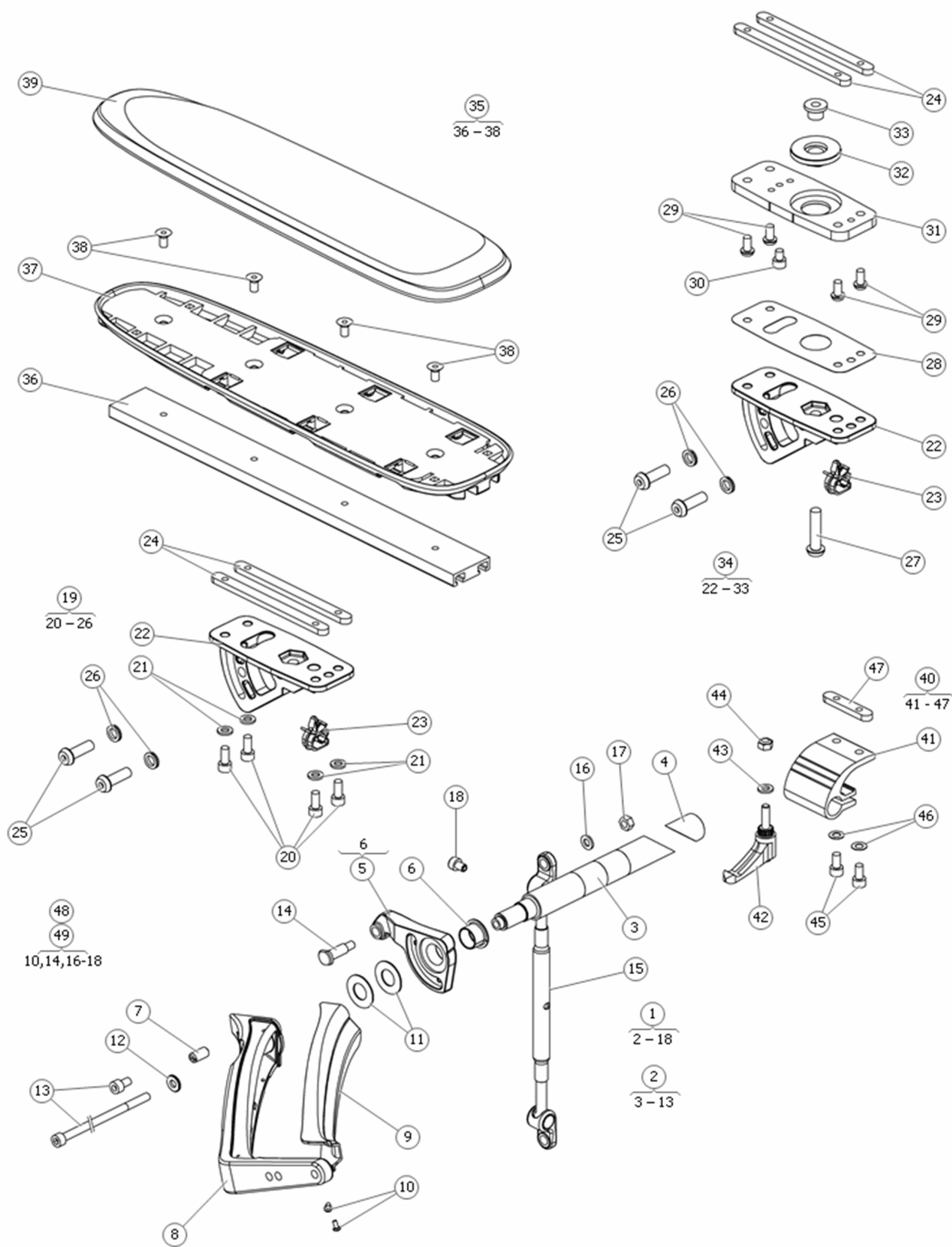


| Pos | Qty | Stock Code  | Description                 | Remark |
|-----|-----|-------------|-----------------------------|--------|
| 1   | 1   |             | Power mount. Backrest       |        |
| 2   | 1   | 1825615     | S.DON RE25 110+155 ICS/a    |        |
| 2   | 1   | 1828971     | S.DON RE25 v.2 110+155      |        |
| 3   | 1   | 1825616     | KAPA S.DON                  |        |
| 4   | 1   | 1825591     | FÄSTE S.DON RYGGSTÖD        |        |
| 5   | 1   | 600192-99-0 | SKRUV MC6S 6x 12 fzb        |        |
| 6   | 1   | 612675-99-0 | WASHER, ISO 7093-1 6,4x18   |        |
| 7   | 1   | 601396-99-0 | SKRUV MC6S 10x 60 fzb       |        |
| 8   | 1   | 600241-99-0 | BR BRB 10.5x20x2 fzb STD    |        |
| 9   | 1   | 1825219     | DISTANS S.DON L=24          |        |
| 10  | 1   | 600229-99-0 | LÄSMUTTER M10 fzb           |        |
| 11  | 1   |             | Electronics                 |        |
| 12  | 1   | 1827727     | WASHER GENERAL MODULE       |        |
| 12  | 1   |             | Spacer wash                 |        |
| 13  | 1   | 601296-99-0 | BR BRB 4,3x 9x0.8 fzb       |        |
| 14  | 1   | 600184-99-0 | SKRUV MC6S 4x12 fzb         |        |
| 15  | 1   |             | Outer tube                  |        |
| 16  | 1   |             | Adjustment bar              |        |
| 17  | 1   | 600184-99-0 | SKRUV MC6S 4x12 fzb         |        |
| 18  | 1   |             | Screw ISO 4762 M8x110 Fe/Zn |        |
| 19  | 1   | 602328-00-0 | INSTÄLLN.BULT GN617 AK5     |        |
| 20  | 1   | 1825617     | S.DON MANUELL BENSTÖD       |        |
| 20  | 1   | 1827476     | MAN REGLERING RYGG 120°     |        |

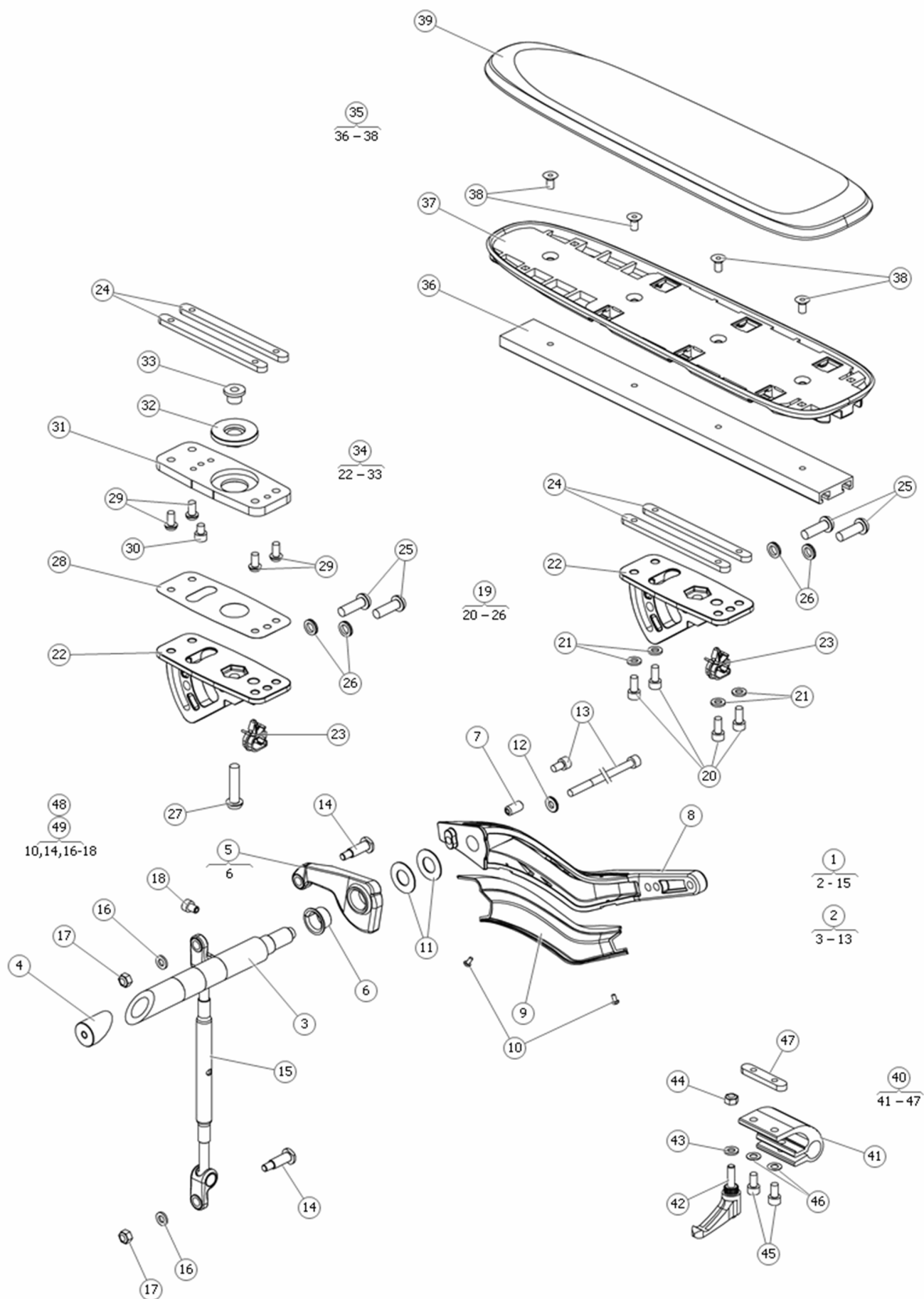




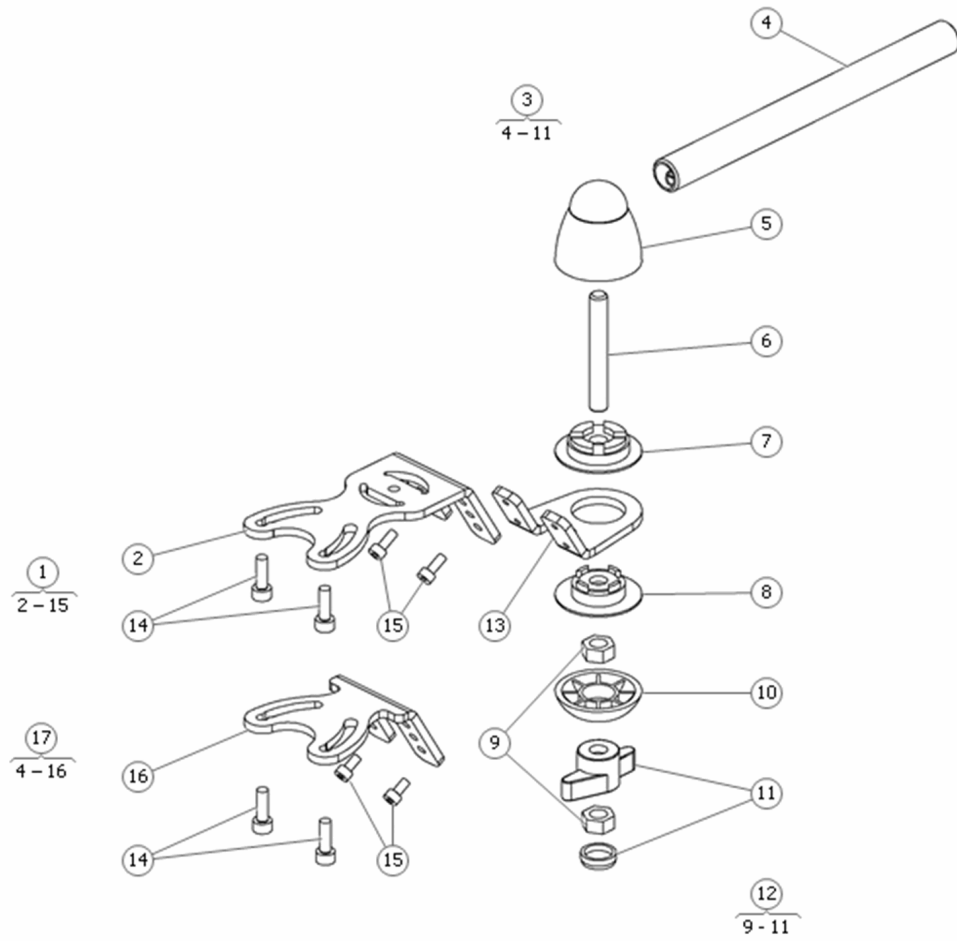
| Pos | Qty | Stock Code  | Description                 | Remark |
|-----|-----|-------------|-----------------------------|--------|
| 1   | 1   | 1831465     | ELREGLERING RYGG 180°       |        |
| 2   | 1   | 1828971     | S.DON RE25 v.2 110+155      |        |
| 3   | 1   | 600192-99-0 | SKRUV MC6S 6x 12 fzb        |        |
| 4   | 1   | 612675-99-0 | WASHER, ISO 7093-1 6,4x18   |        |
| 5   | 1   | 601396-99-0 | SKRUV MC6S 10x 60 fzb       |        |
| 6   | 1   | 600241-99-0 | BR BRB 10.5x20x2 fzb STD    |        |
| 7   | 1   | 1825219     | DISTANS S.DON L=24          |        |
| 8   | 1   | 600229-99-0 | LÅSMUTTER M10 fzb           |        |
| 9   | 1   | 1831745     | FÄSTE STÄLLDON RYGG VS F5   |        |
| 10  | 1   |             | LEAF SPRING                 |        |
| 11  | 1   |             | KEY DIN 6885B 5x5x12        |        |
| 12  | 1   |             | BUSHING                     |        |
| 13  | 1   | 600186-99-0 | SKRUV MC6S 4x20 fzb         |        |
| 14  | 1   | 600192-99-0 | SKRUV MC6S 6x 12 fzb        |        |
| 15  | 1   | 600194-99-0 | SKRUV MC6S 6x 20 fzb        |        |
| 16  | 1   | 600238-99-0 | BR BRB 6.4x12x1.6 fzb       |        |
| 17  | 1   | 600227-99-0 | LÅSMUTTER M 6 fzb           |        |
| 18  | 1   |             | Outer tube                  |        |
| 19  | 1   |             | Adjustment bar              |        |
| 20  | 1   | 600184-99-0 | SKRUV MC6S 4x12 fzb         |        |
| 21  | 1   |             | Screw ISO 4762 M8x110 Fe/Zn |        |
| 22  | 1   | 602328-00-0 | INSTÄLLN.BULT GN617 AK5     |        |
| 23  | 1   | 1825617     | S.DON MANUELL BENSTÖD       |        |
| 24  | 1   | 1831373     | MANUELLREGLERING RYGG       |        |



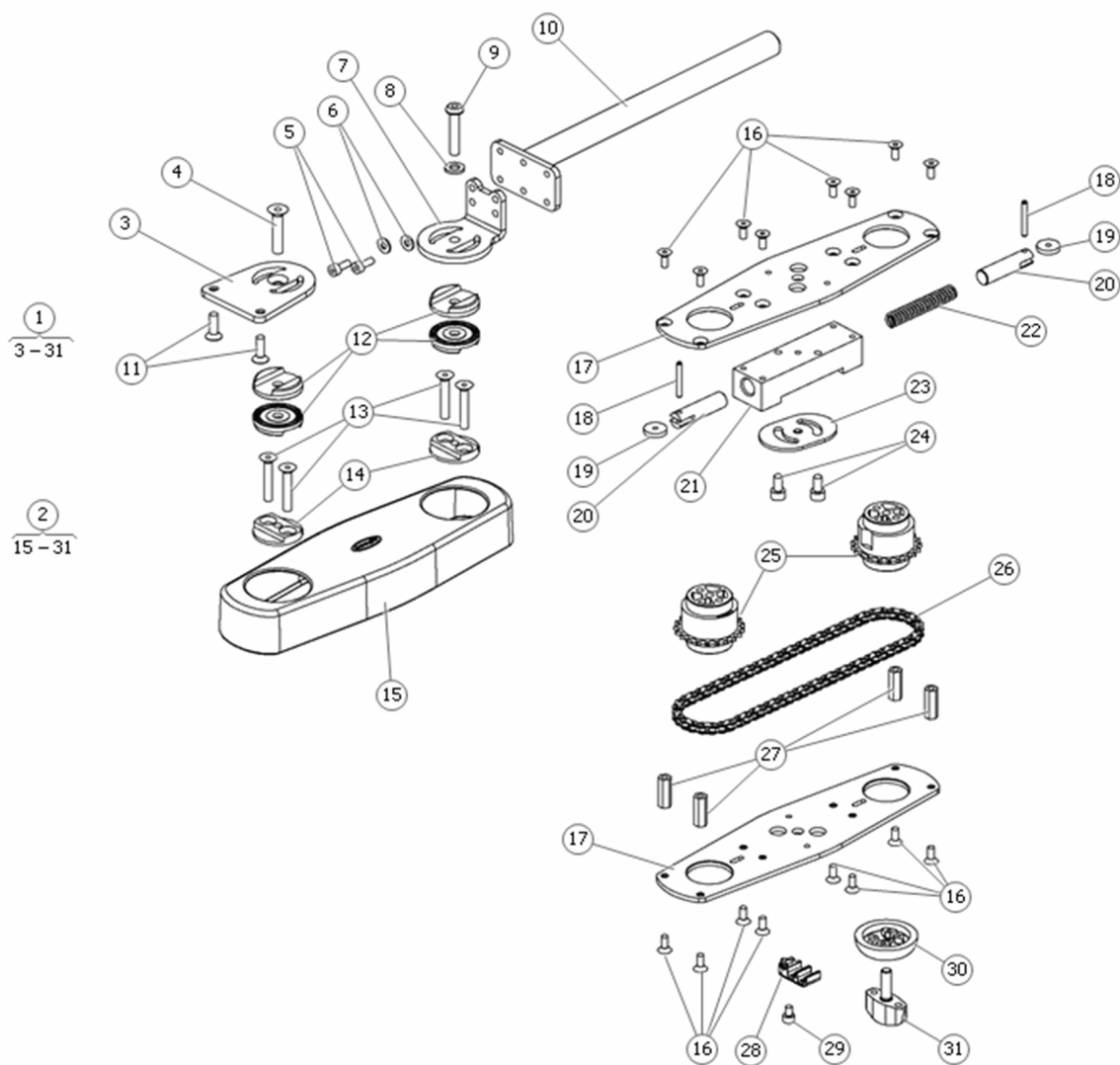
| Pos | Qty | Stock Code  | Description                     | Remark                                                     |
|-----|-----|-------------|---------------------------------|------------------------------------------------------------|
| 1   | 1   | 1825596     | ARMST.LED HÖGER                 |                                                            |
| 1   | 1   | 1825598     | ARMST.LED HÖGER BRED            |                                                            |
| 1   | 1   | 1830230     | ARMR BRACK ASSY WIDE RI/e       |                                                            |
| 1   | 1   | 1830232     | ARMR BRACKET ASSY RIGHT/e       |                                                            |
| 2   | 1   | 1825600     | FÄSTE ARMSTÖD HÖGER/e           |                                                            |
| 2   | 1   | 1825602     | FÄSTE ARMSTÖD HÖGER/e           |                                                            |
| 2   | 1   | 1830234     | ARMSTÖDSLED V.2 C3G HÖ          |                                                            |
| 2   | 1   | 1830236     | ARMSTÖDSLED BRED V.2 C3G        |                                                            |
| 3   | 1   |             | Shaft Wide                      |                                                            |
| 3   | 1   |             | Shaft Std                       |                                                            |
| 4   | 0   |             | Wedge nut                       |                                                            |
| 5   | 0   |             | Arm                             |                                                            |
| 6   | 0   |             | Bearing                         |                                                            |
| 7   | 1   |             | Spring plunger GN 615-M8-KSN    |                                                            |
| 8   | 1   |             | Arm Right                       |                                                            |
| 9   | 1   | 1826203     | KÅPA ARMSTÖD HÖGER              |                                                            |
| 10  | 1   | 602065-99-0 | SKRUV MRX-Z 3x 6 fzb            |                                                            |
| 11  | 1   | 600700-99-0 | BRICKFÄDER 28x14.2x1            |                                                            |
| 12  | 1   |             | Washer slide                    |                                                            |
| 13  | 1   | 600888-99-0 | SKRUV MC6S 6x 10 fzb            | Center screw for old type of armrest                       |
| 13  | 1   |             | Screw ISO 4762 M6x150 Fe/Zn     |                                                            |
| 13  | 1   |             | Screw ISO 4762 M6x200 Fe/Zn     |                                                            |
| 14  | 1   | 1826395     | AXEL ARMSTÖD JUSTERBAR          |                                                            |
| 15  | 1   | 1825603     | JUSTERSTAG ARMSTÖD              |                                                            |
| 15  | 1   | 1825672     | JUSTERSTAG ARMSTÖD              |                                                            |
| 16  | 1   | 600238-99-0 | BR BRB 6.4x12x1.6 fzb           |                                                            |
| 17  | 1   | 600227-99-0 | LÄSMUTTER M 6 fzb               |                                                            |
| 18  | 1   | 1830139     | SKRUV C3G M6X10 ISO 4027        | Pointed screw, should only be used on the first versi...   |
| 18  | 1   |             | Screw ISO 4762 M6x6 Fe/Zn       |                                                            |
| 19  | 1   | 1825593     | ARMSTÖDSFÄSTE C3G FAST          |                                                            |
| 20  | 1   | 600193-99-0 | SKRUV MC6S 6x 14 fzb            |                                                            |
| 21  | 1   | 600238-99-0 | BR BRB 6.4x12x1.6 fzb           |                                                            |
| 22  | 1   |             | Hinge                           |                                                            |
| 23  | 1   | 1821422     | KABELFÄSTESATS (4st) X8/e       | set of 4pcs.                                               |
| 24  | 1   |             | Nut                             |                                                            |
| 25  | 1   | 1828843     | SCREW M8x25 10.9 LOCKING        |                                                            |
| 25  | 1   | 602165-99-0 | SKRUV K6S 8x25 fzb              |                                                            |
| 26  | 1   | 612888-99-0 | LÄSBRICKA N-LOCK                |                                                            |
| 27  | 1   |             | SCREW ISO 7380 M8x35 Fe/Zn      |                                                            |
| 28  | 1   |             | Gasket                          |                                                            |
| 29  | 1   | 601422-99-0 | SKRUV K6S 6x12 fzb              |                                                            |
| 30  | 1   | 601359-99-0 | SKRUV MC6S 6x 8 fzb             |                                                            |
| 31  | 1   |             | Plate                           |                                                            |
| 32  | 1   |             | Plastic plug                    |                                                            |
| 33  | 1   |             | Bush                            |                                                            |
| 34  | 1   | 1825594     | ARMSTÖDSFÄSTE C3G               |                                                            |
| 35  | 1   | 1825604     | ARMST.STOMME 260                |                                                            |
| 35  | 1   | 1825605     | ARMSTÖDS STOMME 335             |                                                            |
| 35  | 1   | 1825606     | ARMST.STOMME 410                |                                                            |
| 36  | 1   |             | Bracket L=260                   |                                                            |
| 36  | 1   |             | Bracket L=360                   |                                                            |
| 36  | 1   |             | Bracket L=410mm                 |                                                            |
| 37  | 1   |             | Armrest L=260                   |                                                            |
| 37  | 1   |             | Armrest L=360                   |                                                            |
| 37  | 1   |             | Armrest L=410                   |                                                            |
| 38  | 1   | 601788-99-0 | SKRUV MF6S 6x12 fzb             |                                                            |
| 39  | 1   | 1826191     | ARMST.STOPPN 260 SKAI           |                                                            |
| 39  | 1   | 1826192     | ARMST.STOPPN 335 SKAI           |                                                            |
| 39  | 1   | 1826193     | ARMST.STOPPN 410 SKAI           |                                                            |
| 39  | 1   | 1826194     | ARMST.STOPPN 260 MESH/e         |                                                            |
| 39  | 1   | 1826195     | ARMST.STOPPN 335 MESH/e         |                                                            |
| 39  | 1   | 1826196     | ARMST.STOPPN 410 MESH/e         |                                                            |
| 39  | 1   | 1828340     | ARMST.STOPPN 410 TREVIRA        |                                                            |
| 40  | 1   | 1828960     | PANELHÄLLARE UNITRACK V.2       |                                                            |
| 41  | 1   |             | Holder                          |                                                            |
| 42  | 1   | 1822869     | LÄSSPAK M6x20                   |                                                            |
| 42  | 1   | 600194-99-0 | SKRUV MC6S 6x 20 fzb            |                                                            |
| 43  | 1   | 600238-99-0 | BR BRB 6.4x12x1.6 fzb           |                                                            |
| 44  | 1   | 600227-99-0 | LÄSMUTTER M 6 fzb               |                                                            |
| 45  | 1   | 600192-99-0 | SKRUV MC6S 6x 12 fzb            |                                                            |
| 46  | 1   |             | Washer DIN137B 6.4x12x0,5 Fe/Zn |                                                            |
| 47  | 1   | 1824717     | FÄSTE GLIDSKENA TS 50mm         |                                                            |
| 48  | 1   | 1828957     | SKRUVSATS ARMSTÖD               | Only for the first version. Position 14, 16 and 17; 2 p... |
| 49  | 1   | 1828958     | SKRUVSATS ARMSTÖD               | Only for the first version. Position 14, 16 and 17; 1 p... |



| Pos | Qty | Stock Code  | Description                      | Remark                                                     |
|-----|-----|-------------|----------------------------------|------------------------------------------------------------|
| 1   | 1   | 1825595     | ARMST.LED VÄNSTER                |                                                            |
| 1   | 1   | 1825597     | ARMST.LED VÄNSTER BRED           |                                                            |
| 1   | 1   | 1830229     | ARMR BRACK ASSY WIDE LE/e        |                                                            |
| 1   | 1   | 1830231     | ARMR BRACKET ASSY LEFT /e        |                                                            |
| 2   | 1   | 1825599     | ARMSTÖDSARM VÄNSTER/e            |                                                            |
| 2   | 1   | 1825601     | FÄSTE ARMSTÖD VÄNSTER/e          |                                                            |
| 2   | 1   | 1830233     | ARMSTÖDSLED V.2 C3G VÄ           |                                                            |
| 2   | 1   | 1830235     | ARMSTÖDSLED BRED V.2 C3G         |                                                            |
| 3   | 1   |             | Shaft Left Wide                  |                                                            |
| 3   | 1   |             | Shaft Left                       |                                                            |
| 4   | 0   |             | Wedge nut                        |                                                            |
| 5   | 0   |             | Arm                              |                                                            |
| 6   | 0   |             | Bearings                         |                                                            |
| 7   | 1   |             | Spring plunger GN 615-M8-KSN     |                                                            |
| 8   | 1   |             | Arm Left                         |                                                            |
| 9   | 1   | 1826204     | KÅPA ARMSTÖD VÄNSTER             |                                                            |
| 10  | 1   | 602065-99-0 | SKRUV MRX-Z 3x 6 fzb             |                                                            |
| 11  | 1   | 600700-99-0 | BRICKFÄDER 28x14.2x1             |                                                            |
| 12  | 1   |             | Washer slide                     |                                                            |
| 13  | 1   | 600888-99-0 | SKRUV MC6S 6x 10 fzb             | Center screw for old type of armrest                       |
| 13  | 1   |             | Screw ISO 4762 M6x150 Fe/Zn      |                                                            |
| 13  | 1   |             | Screw ISO 4762 M6x200 Fe/Zn      |                                                            |
| 14  | 1   | 1826395     | AXEL ARMSTÖD JUSTERBAR           |                                                            |
| 15  | 1   | 1825603     | JUSTERSTAG ARMSTÖD               |                                                            |
| 15  | 1   | 1825672     | JUSTERSTAG ARMSTÖD               |                                                            |
| 16  | 1   | 600238-99-0 | BR BRB 6.4x12x1.6 fzb            |                                                            |
| 17  | 1   | 600227-99-0 | LÄSMUTTER M 6 fzb                |                                                            |
| 18  | 1   | 1830139     | SKRUV C3G M6X10 ISO 4027         | Pointed screw, should only be used on the first versi...   |
| 18  | 1   |             | Screw ISO 4762 M6x6 Fe/Zn        |                                                            |
| 19  | 1   | 1825593     | ARMSTÖDSFÄSTE C3G FAST           |                                                            |
| 20  | 1   | 600193-99-0 | SKRUV MC6S 6x 14 fzb             |                                                            |
| 21  | 1   | 600238-99-0 | BR BRB 6.4x12x1.6 fzb            |                                                            |
| 22  | 1   |             | Hinge                            |                                                            |
| 23  | 1   | 1821422     | KABELFÄSTESATS (4st) X8/e        | set of 4 pcs.                                              |
| 24  | 1   |             | Nut                              |                                                            |
| 25  | 1   | 602165-99-0 | SKRUV K6S 8x25 fzb               |                                                            |
| 26  | 1   | 612888-99-0 | LÄSBRICKA N-LOCK                 |                                                            |
| 27  | 1   |             | SCREW ISO 7380 M8x35 Fe/Zn       |                                                            |
| 28  | 1   |             | Gasket                           |                                                            |
| 29  | 1   | 601422-99-0 | SKRUV K6S 6x12 fzb               |                                                            |
| 30  | 1   | 601359-99-0 | SKRUV MC6S 6x 8 fzb              |                                                            |
| 31  | 1   |             | Plate                            |                                                            |
| 32  | 1   |             | Plastic plug                     |                                                            |
| 33  | 1   |             | Bush                             |                                                            |
| 34  | 1   | 1825594     | ARMSTÖDSFÄSTE C3G                |                                                            |
| 35  | 1   | 1825604     | ARMST.STOMME 260                 |                                                            |
| 35  | 1   | 1825605     | ARMSTÖDS STOMME 335              |                                                            |
| 35  | 1   | 1825606     | ARMST.STOMME 410                 |                                                            |
| 36  | 1   |             | Bracket L=260                    |                                                            |
| 36  | 1   |             | Bracket L=360                    |                                                            |
| 36  | 1   |             | Bracket L=410                    |                                                            |
| 37  | 1   |             | Armrest L=260                    |                                                            |
| 37  | 1   |             | Armrest L=360                    |                                                            |
| 37  | 1   |             | Armrest L=410                    |                                                            |
| 38  | 1   | 601788-99-0 | SKRUV MF6S 6x12 fzb              |                                                            |
| 39  | 1   | 1826191     | ARMST.STOPPN 260 SKAI            |                                                            |
| 39  | 1   | 1826192     | ARMST.STOPPN 335 SKAI            |                                                            |
| 39  | 1   | 1826193     | ARMST.STOPPN 410 SKAI            |                                                            |
| 39  | 1   | 1826194     | ARMST.STOPPN 260 MESH/e          |                                                            |
| 39  | 1   | 1826195     | ARMST.STOPPN 335 MESH/e          |                                                            |
| 39  | 1   | 1826196     | ARMST.STOPPN 410 MESH/e          |                                                            |
| 39  | 1   | 1828340     | ARMST.STOPPN 410 TREVIRA         |                                                            |
| 40  | 1   | 1825815     | FÄSTE PANELHALLARE               |                                                            |
| 41  | 1   |             | Holder                           |                                                            |
| 42  | 1   | 1822869     | LÄSSPAK M6x20                    |                                                            |
| 42  | 1   | 600194-99-0 | SKRUV MC6S 6x 20 fzb             |                                                            |
| 43  | 1   | 600238-99-0 | BR BRB 6.4x12x1.6 fzb            |                                                            |
| 44  | 1   | 600227-99-0 | LÄSMUTTER M 6 fzb                |                                                            |
| 45  | 1   | 600192-99-0 | SKRUV MC6S 6x 12 fzb             |                                                            |
| 46  | 1   |             | Washer DIN 137B 6,4x12x0,5 Fe/Zn |                                                            |
| 47  | 1   | 1824717     | FÄSTE GLIDSKENA TS 50mm          |                                                            |
| 48  | 1   | 1828957     | SKRUVSATS ARMSTÖD                | Only for the first version. Position 14, 16 and 17; 2 p... |
| 49  | 1   | 1828958     | SKRUVSATS ARMSTÖD                | Only for the first version. Position 14, 16 and 17; 1 p... |

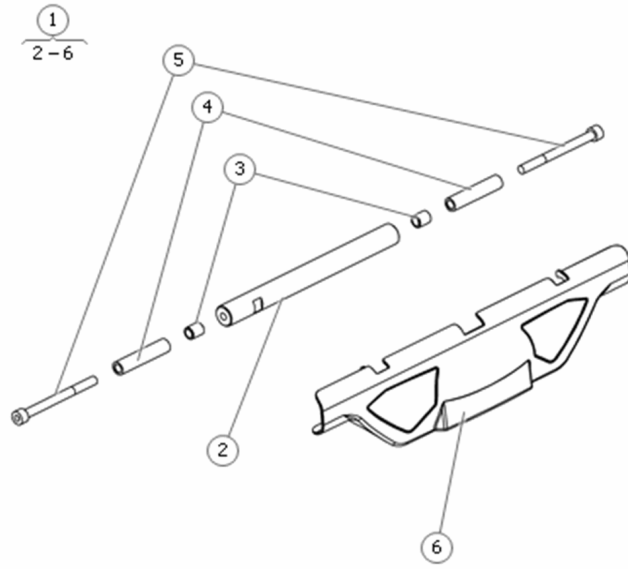


| Pos | Qty | Stock Code  | Description               | Remark |
|-----|-----|-------------|---------------------------|--------|
| 1   | 1   | 1822455     | PANELHÅLL 335 REGLERBAR   |        |
| 1   | 1   | 1822456     | PANELHÅLL 435 REGLERBAR   |        |
| 2   | 1   |             | PANEL HOLDER              |        |
| 3   | 1   |             | HINGE L=435               |        |
| 3   | 1   |             | HINGE L=335               |        |
| 4   | 1   |             | TUBE L=335                |        |
| 4   | 1   |             | TUBE L=435                |        |
| 5   | 1   |             | HINGE                     |        |
| 6   | 1   |             | SCREW, ISO 4029 M8x60 A2  |        |
| 7   | 1   |             | LOCK WASHER               |        |
| 8   | 1   |             | LOCK WASHER               |        |
| 9   | 2   | 600228-99-0 | LÅSMUTTER M 8 fzb         |        |
| 10  | 1   |             | WASHER CONCAVE            |        |
| 11  | 1   |             | LOCK HANDLE               |        |
| 12  | 1   | 1825556     | VREDSATS PANELHÅLLARE     |        |
| 13  | 1   |             | PLATE                     |        |
| 14  | 2   | 601165-99-0 | SKRUV MC6S 5x16 fzb       |        |
| 15  | 2   | 600183-99-0 | SKRUV MC6S 4x10 fzb       |        |
| 16  | 1   |             | PANEL HOLDER V2           |        |
| 17  | 1   | 1824242     | PANELHÅLL. ADJ. VR2 R-NET |        |

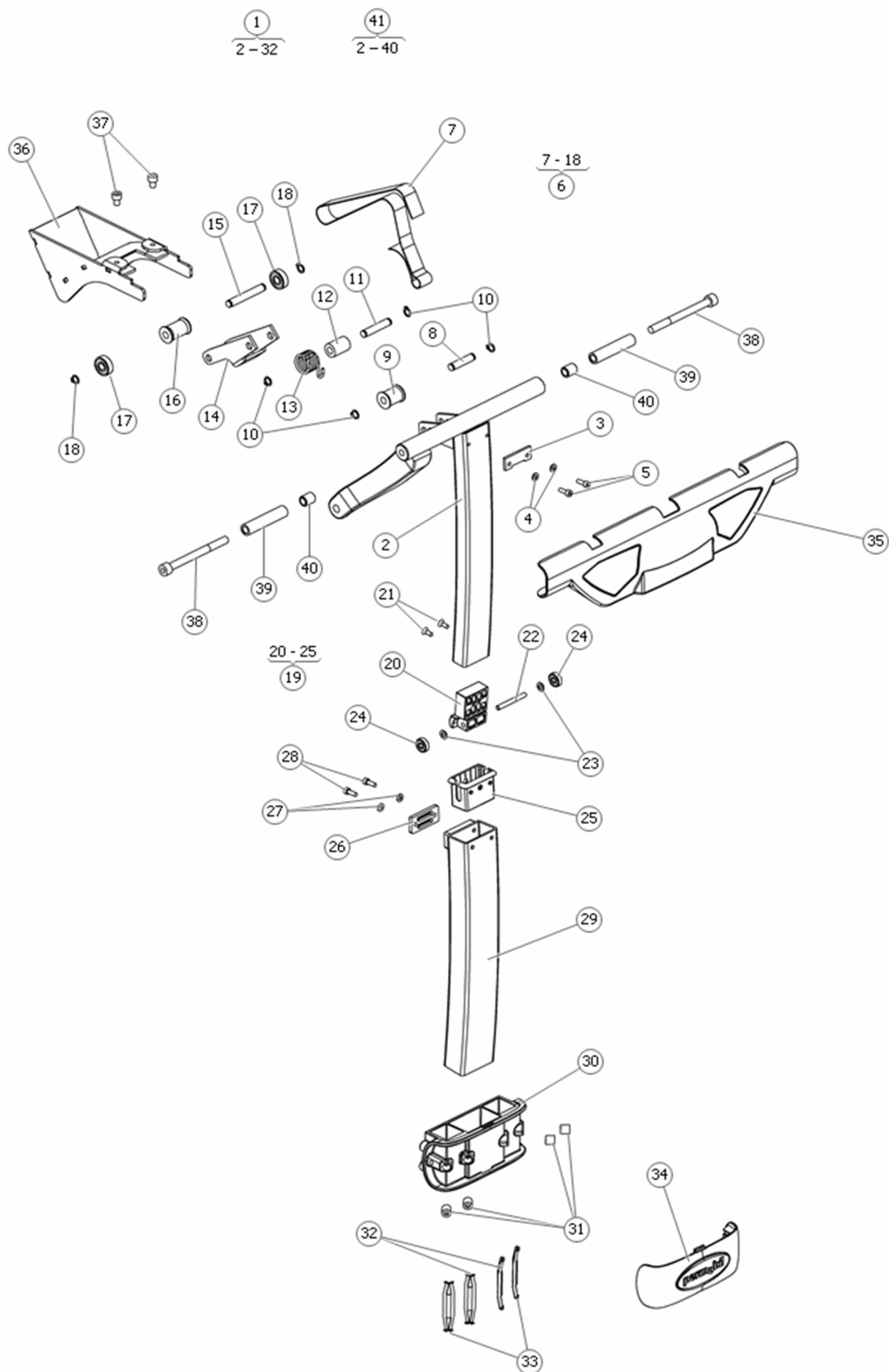




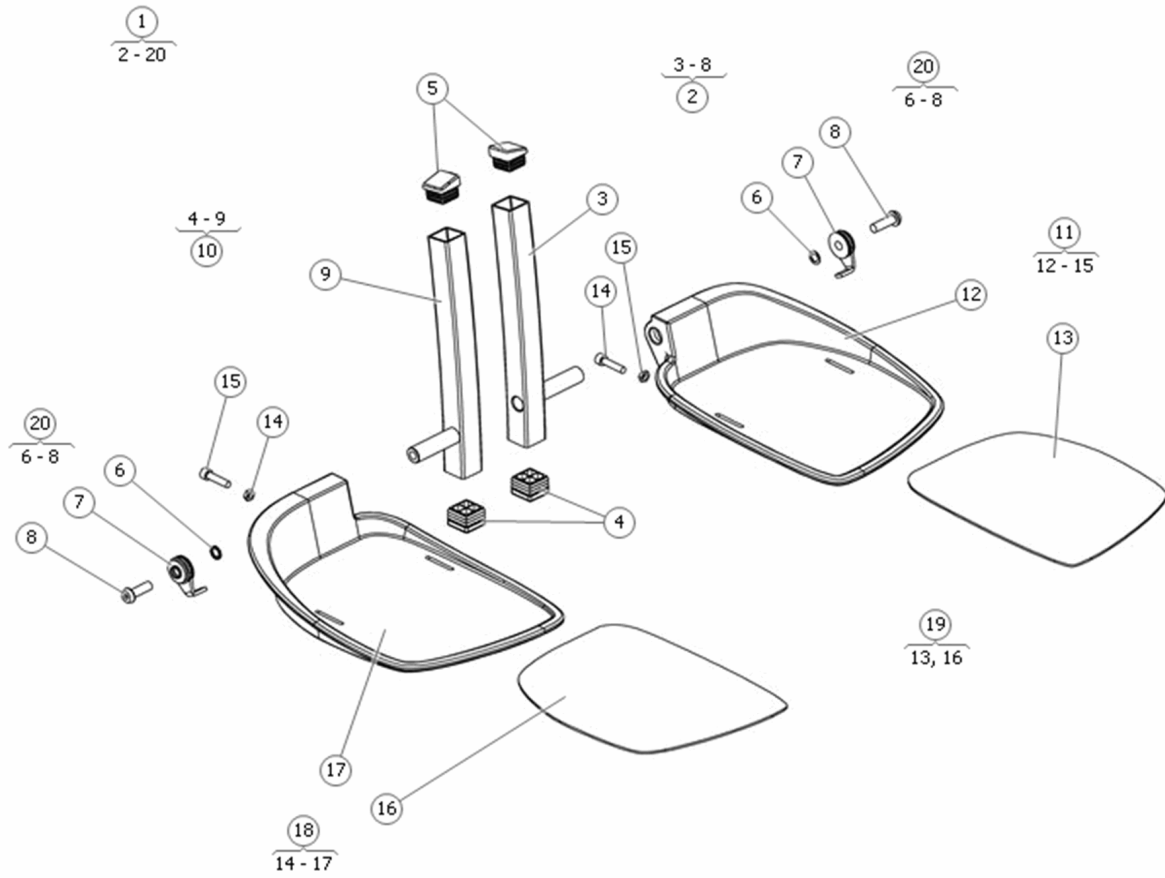
| Pos | Qty | Stock Code  | Description                   | Remark |
|-----|-----|-------------|-------------------------------|--------|
| 1   | 1   | 1824295     | PANELHÅLLARE PLG V2 R-NET     |        |
| 2   | 1   | 1822933     | PANELHÅLLARE LED PARAL-/e     |        |
| 3   | 1   |             | PLATE                         |        |
| 4   | 1   | 600729-99-0 | SKRUV MF6S 6x30 fzb           |        |
| 5   | 2   | 600183-99-0 | SKRUV MC6S 4x10 fzb           |        |
| 6   | 1   | 600741-99-0 | BR BRB 4.3x10x1 fzb           |        |
| 7   | 1   |             | PLATE                         |        |
| 8   | 1   | 600238-99-0 | BR BRB 6.4x12x1.6 fzb         |        |
| 9   | 1   | 601372-99-0 | SKRUV K6S 6x45 fzb            |        |
| 9   | 1   |             | SCREW, M6x30 Fe/Zn ISO 7380   |        |
| 10  | 1   |             | PANELHOLDER                   |        |
| 11  | 1   | 601189-99-0 | SKRUV MF6S 5x16 fzb           |        |
| 12  | 4   | 1823502     | LÄNK JUSTERBAR UNITRAC        |        |
| 13  | 4   | 601424-99-0 | SKRUV MF6S 5x30 fzb           |        |
| 14  | 2   |             | PLATE                         |        |
| 15  | 1   |             | COVER                         |        |
| 16  | 1   | 600208-99-0 | SKRUV MF6S 4x10 fzb           |        |
| 17  | 2   |             | PLATE                         |        |
| 18  | 2   |             | SPRING PIN, 3x24 St ISO 8750  |        |
| 19  | 2   |             | WHEEL                         |        |
| 20  | 2   |             | SHAFT                         |        |
| 21  | 1   |             | BODY                          |        |
| 22  | 1   |             | SPRING                        |        |
| 23  | 1   |             | PLATE                         |        |
| 24  | 2   | 600189-99-0 | SKRUV MC6S 5x10 fzb           |        |
| 25  | 2   |             | CHAIN SPROCK                  |        |
| 26  | 1   |             | ROLLER CHAIN                  |        |
| 27  | 4   |             | HEXAGON SPACER, M4 7x20 Fe/Zn |        |
| 28  | 1   | 1827135     | KABELFÄSTE 2 KABLAR           |        |
| 29  | 1   |             | SCREW, M4x6 Fe/Zn ISO 4762    |        |
| 30  | 1   |             | WASHER                        |        |
| 31  | 1   | 602360-00-0 | LÅSRATT CT.47630P M6x20       |        |



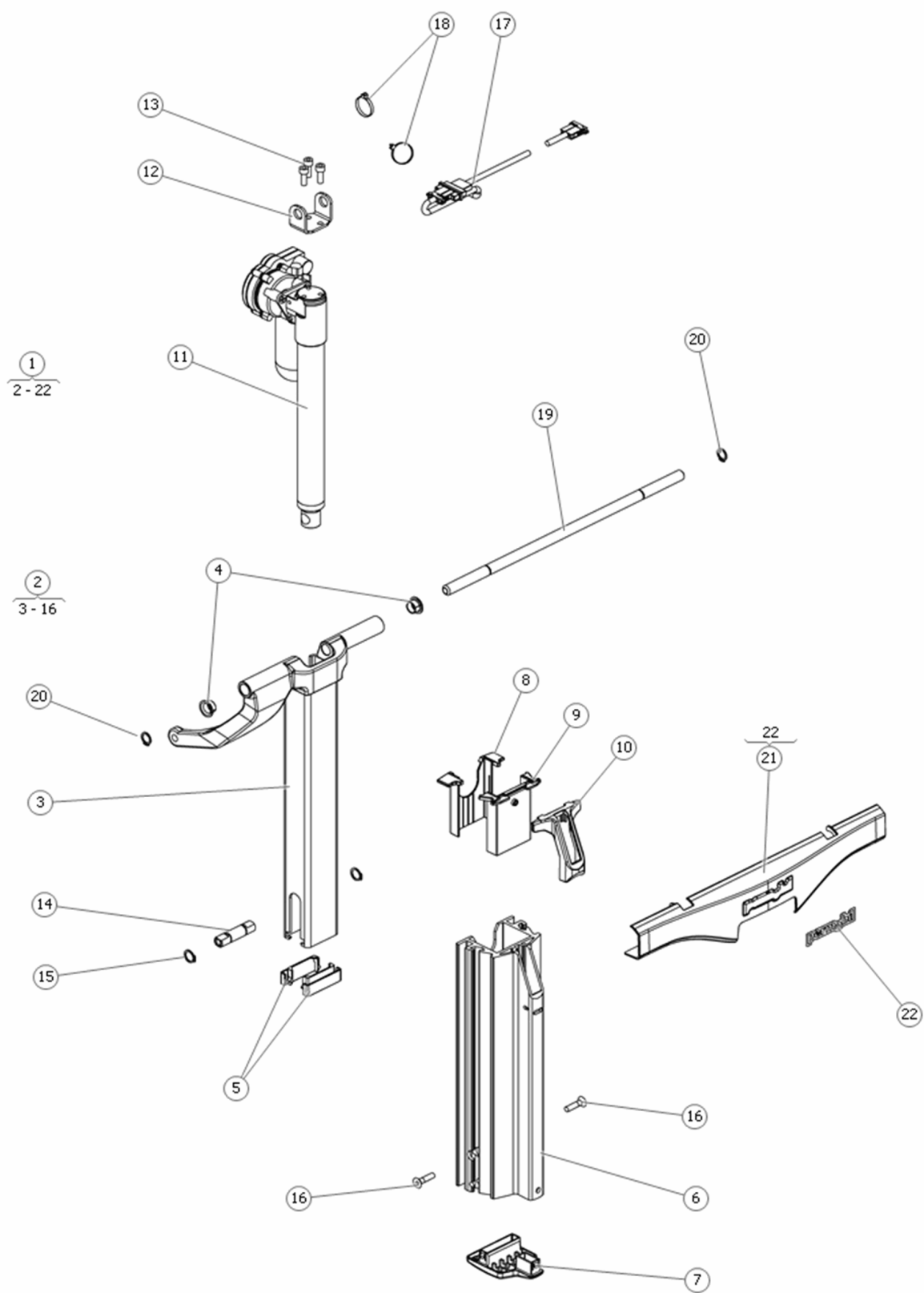
| Pos | Qty | Stock Code  | Description            | Remark |
|-----|-----|-------------|------------------------|--------|
| 1   | 1   | 1829076     | MONT.SATS UTAN BENSTÖD |        |
| 1   | 1   |             | Without Legrest kit    |        |
| 2   | 1   | 1827995     | RÖR UTAN BENSTÖD C 3G  |        |
| 3   | 1   | 1829666     | BUSSNING L=14 Ø12/8    |        |
| 4   | 1   | 1829672     | HYLSA SITSRAM          |        |
| 5   | 1   | 601702-99-0 | SKRUV MC6S 8x 90 fzb   |        |
| 6   | 1   | 1825384     | KAPA ÖVRE BENSTÖD      |        |



| Pos | Qty | Stock Code  | Description                    | Remark |
|-----|-----|-------------|--------------------------------|--------|
| 1   | 1   | 1826392     | BENSTÖDSENHET                  |        |
| 2   | 1   | 1825382     | INNERPROFIL LED BENSTÖD        |        |
| 3   | 1   | 1829669     | REMLASNING INNERRÖR BENST      |        |
| 4   | 1   | 601296-99-0 | BR BRB 4.3x 9x0.8 fzb          |        |
| 5   | 1   | 600184-99-0 | SKRUV MC6S 4x12 fzb            |        |
| 6   | 1   | 1825374     | REP.SATS BENUTSKJUT            |        |
| 7   | 1   | 305245-00-0 | BAND VADSTÖD CII               |        |
| 8   | 1   |             | Shaft L=34,5                   |        |
| 9   | 1   |             | Roller                         |        |
| 10  | 1   | 600503-99-0 | SPÄRRING SgA 8                 |        |
| 11  | 1   |             | Shaft L=40,5                   |        |
| 12  | 1   |             | Roller                         |        |
| 13  | 1   | 1821260     | FJÄDER BANDSTRÄCKN RS          |        |
| 14  | 1   | 1821089     | FÄSTE RULLE CII                |        |
| 15  | 1   |             | Shaft                          |        |
| 16  | 1   |             | Roller                         |        |
| 17  | 1   | 600522-99-0 | KULLAGER 608-2RS1              |        |
| 18  | 1   | 600503-99-0 | SPÄRRING SgA 8                 |        |
| 19  | 1   | 1825375     | REP.SATS RÖRFÖRLÄNG BENST      |        |
| 20  | 1   |             | Plastic plug                   |        |
| 21  | 1   | 600208-99-0 | SKRUV MF6S 4x10 fzb            |        |
| 22  | 1   |             | Pin                            |        |
| 23  | 1   | 600237-99-0 | BR BRB 5.3x10x1 fzb STD        |        |
| 24  | 1   |             | Ball bearing 625-2RS1 (5x16x5) |        |
| 25  | 1   | 1829668     | PLASTPLUGG BENSTÖD             |        |
| 26  | 1   | 1829670     | REMLASNING YTERRÖR BENST       |        |
| 27  | 1   | 601296-99-0 | BR BRB 4.3x 9x0.8 fzb          |        |
| 28  | 1   | 600184-99-0 | SKRUV MC6S 4x12 fzb            |        |
| 29  | 1   | 1829667     | YTTERPROFIL BENSTÖD            |        |
| 30  | 1   | 1829671     | FÄSTE BENSTÖD/FOTPLATTOR       |        |
| 31  | 1   | 1826122     | JUSTERSKRUV M10x10 45H         |        |
| 32  | 1   | 1825609     | FJÄDERBLECK BENSTÖD            |        |
| 33  | 1   | 1825609     | FJÄDERBLECK BENSTÖD            |        |
| 34  | 1   | 1825383     | KÅPA HALLARE BENSTÖD           |        |
| 35  | 1   | 1825384     | KÅPA ÖVRE BENSTÖD              |        |
| 36  | 1   | 1826393     | GLIDSKENA LÄNGDJUSTERING       |        |
| 37  | 1   | 601359-99-0 | SKRUV MC6S 6x 8 fzb            |        |
| 38  | 1   | 601702-99-0 | SKRUV MC6S 8x 90 fzb           |        |
| 39  | 1   | 1829672     | HYLSA SITSRAM                  |        |
| 39  | 1   |             | Spacer                         |        |
| 40  | 1   | 1829666     | BUSSNING L=14 Ø12/8            |        |
| 40  | 1   |             | Bushing                        |        |
| 41  | 1   |             | Legrest                        |        |

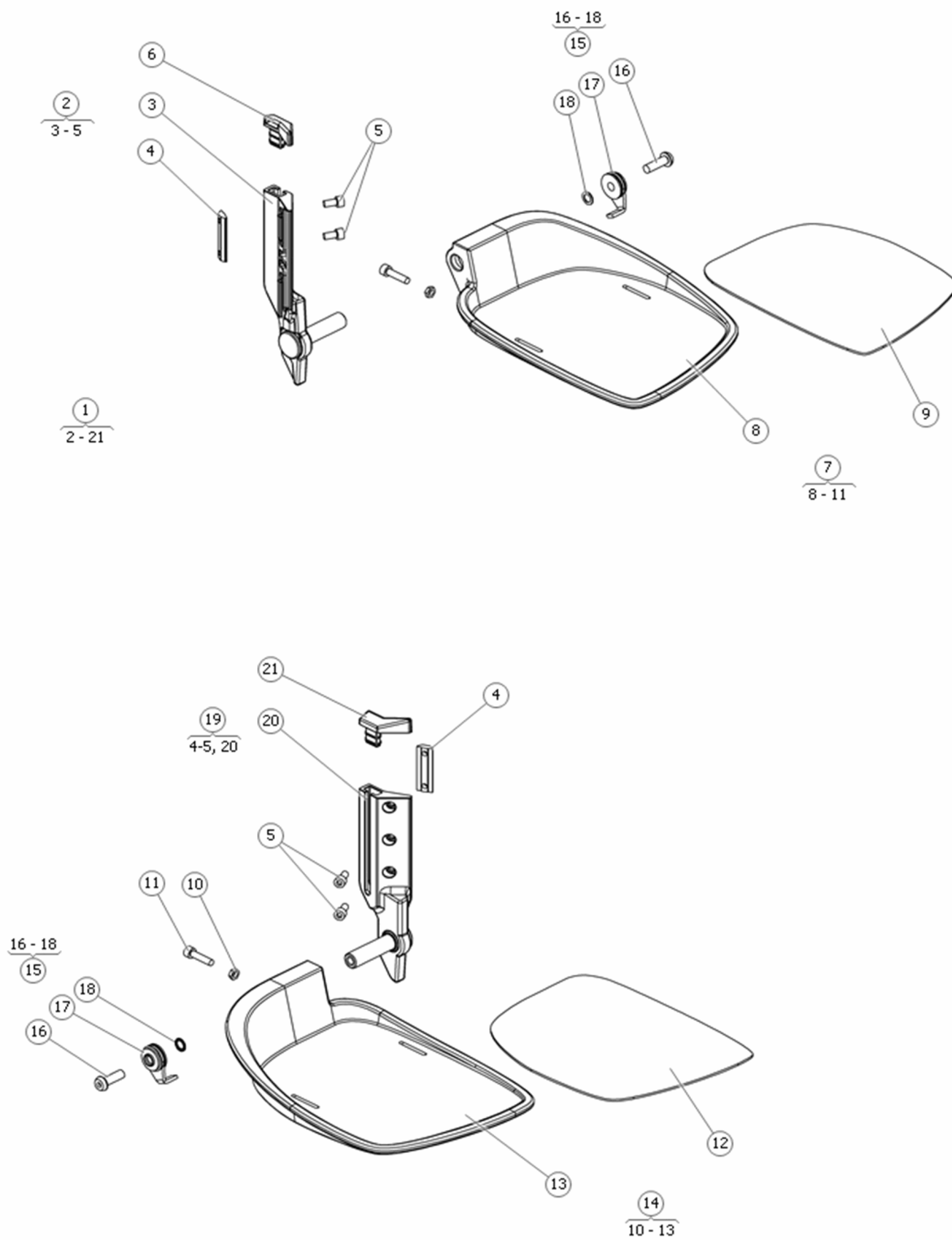


| Pos | Qty | Stock Code  | Description                        | Remark |
|-----|-----|-------------|------------------------------------|--------|
| 1   | 1   |             | Footplate wide WIDE incl. brackets |        |
| 1   | 1   |             | Footplate narrow incl. brackets    |        |
| 2   | 1   | 1825377     | FÄSTE BENST. FOTPLATTA VÄ          |        |
| 3   | 1   |             | Foot adjustment left               |        |
| 4   | 2   | 1827968     | PLASTPLUGG                         |        |
| 4   | 1   |             | PLAST PLUG 56-25-25                |        |
| 5   | 1   | 1827967     | PLASTPLUGG                         |        |
| 6   | 1   | 602127-99-0 | BR SCHNORR 8.4x13x0.8              |        |
| 7   | 1   |             | Frictionsbrake                     |        |
| 8   | 1   | 602165-99-0 | SKRUV K6S 8x25 fzb                 |        |
| 9   | 1   |             | Foot adjustment right              |        |
| 10  | 1   | 1825378     | FÄSTE BENST. FOTPLATTA HÖ          |        |
| 11  | 1   | 1825379     | FOTPLATTA 200X280 VÄNSTER          |        |
| 11  | 1   | 1825607     | FOTPLATTA 160X270 VÄNSTER          |        |
| 12  | 1   |             | Footplate left                     |        |
| 12  | 1   |             | Footplate narrow left              |        |
| 13  | 1   |             | Rubber protect left                |        |
| 13  | 1   |             | Rubber protect narrow left         |        |
| 14  | 1   | 600195-99-0 | SKRUV MC6S 6x 25 fzb               |        |
| 15  | 1   | 612980-99-0 | MUTTER ML6M M6 fzb                 |        |
| 16  | 1   |             | Rubber protect right               |        |
| 16  | 1   |             | Rubber protect narrow right        |        |
| 17  | 1   |             | Footplate right                    |        |
| 17  | 1   |             | Footplate narrow right             |        |
| 18  | 1   | 1825380     | FOTPLATTA 200X280 HÖGER            |        |
| 18  | 1   | 1825608     | FOTPLATTA 160X270 HÖGER            |        |
| 19  | 1   | 1825381     | GUMMIMATTSSATS FOTPL BRED          |        |
| 19  | 1   | 1827426     | GUMMISKYDDSSATS FOTPLATTA          |        |
| 20  | 1   | 308371-99-0 | FRIKTIONSLED FOTPL CII             |        |

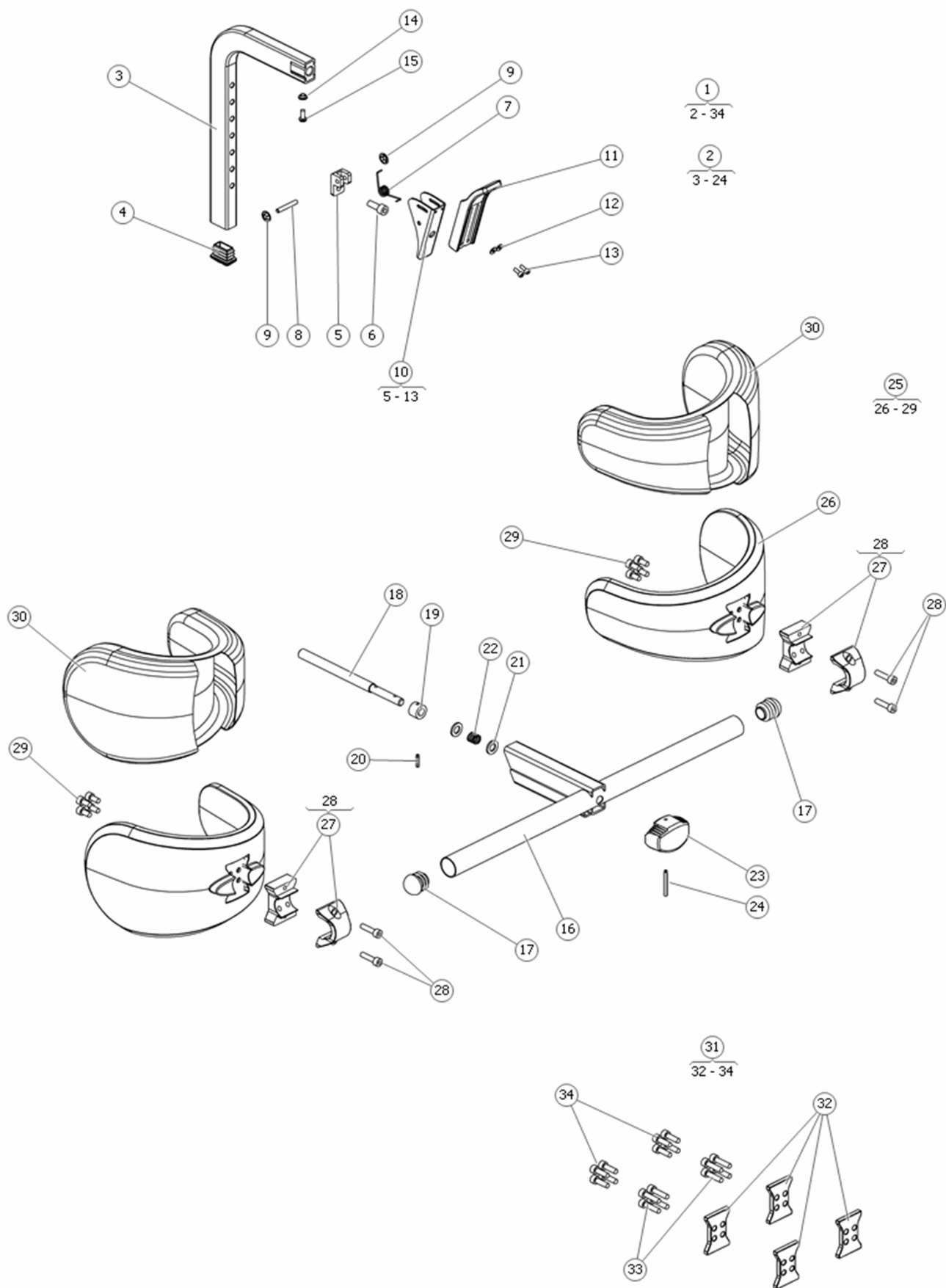




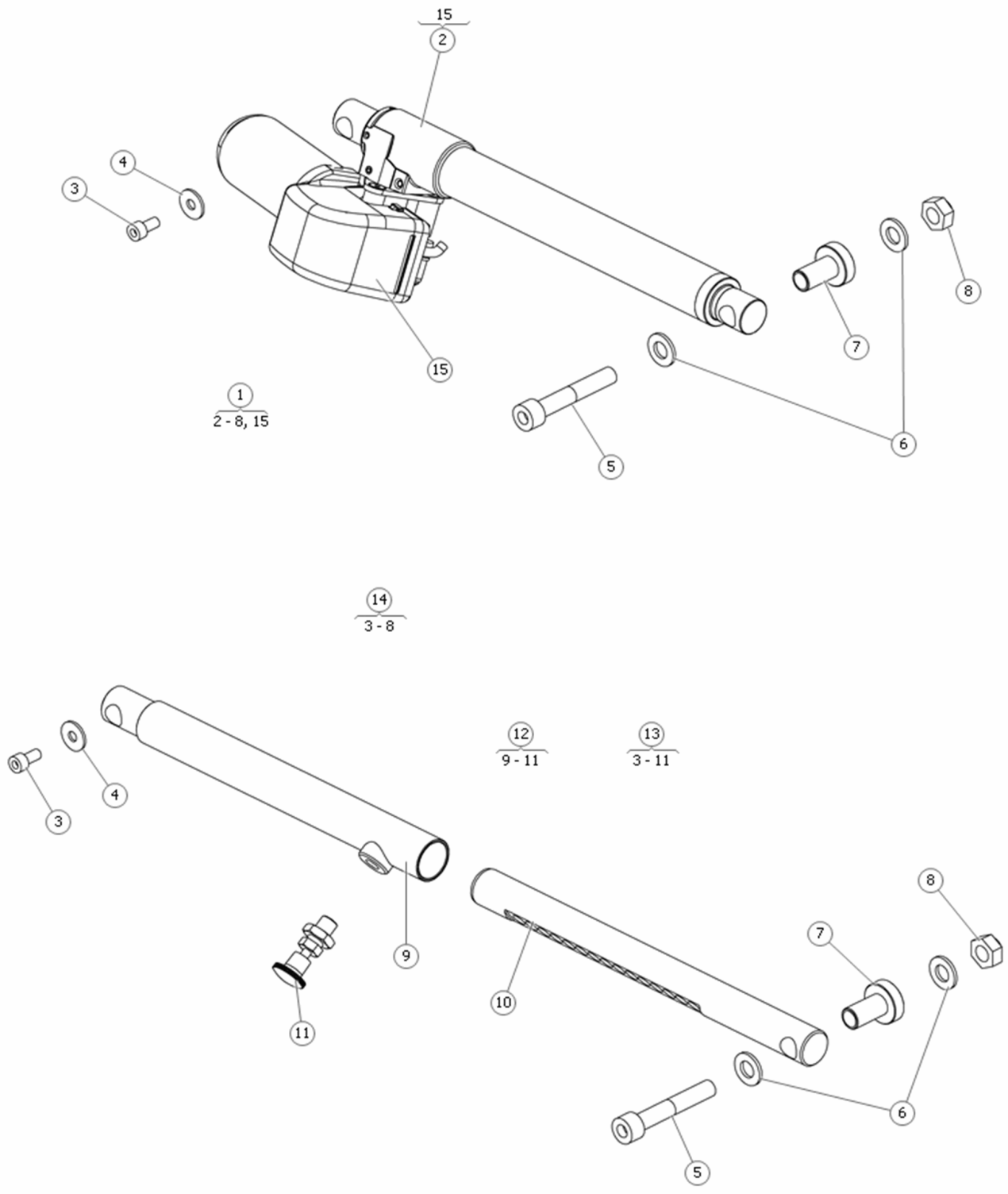
| Pos | Qty | Stock Code  | Description                  | Remark |
|-----|-----|-------------|------------------------------|--------|
| 1   | 1   | 1831000     | BENSTÖDSSATS CORPUS VS F5    |        |
| 2   | 1   | 1831093     | BENSTÖD CORPUS VS F5 EXKL    |        |
| 3   | 1   | 1831003     | BENSTÖDSLED VS               |        |
| 4   | 2   |             | FLANGE SLEEVE BEARING 20X12  |        |
| 5   | 2   | 1831091     | PLASTPLUGG GLID INNERRÖR     |        |
| 6   | 1   |             | TUBE                         |        |
| 7   | 1   | 1831090     | PLASTPLUGG YTERRÖR NEDRE     |        |
| 8   | 1   |             | CAP                          |        |
| 9   | 1   |             | CAP                          |        |
| 10  | 1   | 1831092     | KÅPA BENSTÖD ÖVRE F5         |        |
| 11  | 1   | 1831002     | STÅLLDON BEN VS              |        |
| 12  | 1   |             | BRACKET                      |        |
| 13  | 3   | 600743-99-0 | SKRUV MC6S 6x 16 fzb         |        |
| 14  | 1   |             | CONNECTOR                    |        |
| 15  | 2   |             | CIRCLIP EXTERNAL DIN 471 Ø13 |        |
| 16  | 2   | 600735-99-0 | SKRUV MF6S 6x25 fzb          |        |
| 17  | 1   | 1821827     | KABL FÖRL. ICS 700MM         |        |
| 17  | 1   |             | CABLE                        |        |
| 18  | 2   | 602472-00-0 | BUNTBAND 3,5x150             |        |
| 19  | 1   | 1831094     | AXEL BENSTÖDSLED             |        |
| 20  | 2   | 601225-99-0 | SPÄRRING SgA 12              |        |
| 21  | 1   | 1831001     | KÅPAN BENSTÖDSLED            |        |
| 22  | 1   | 1828133     | DEKAL PERMOBIL               |        |



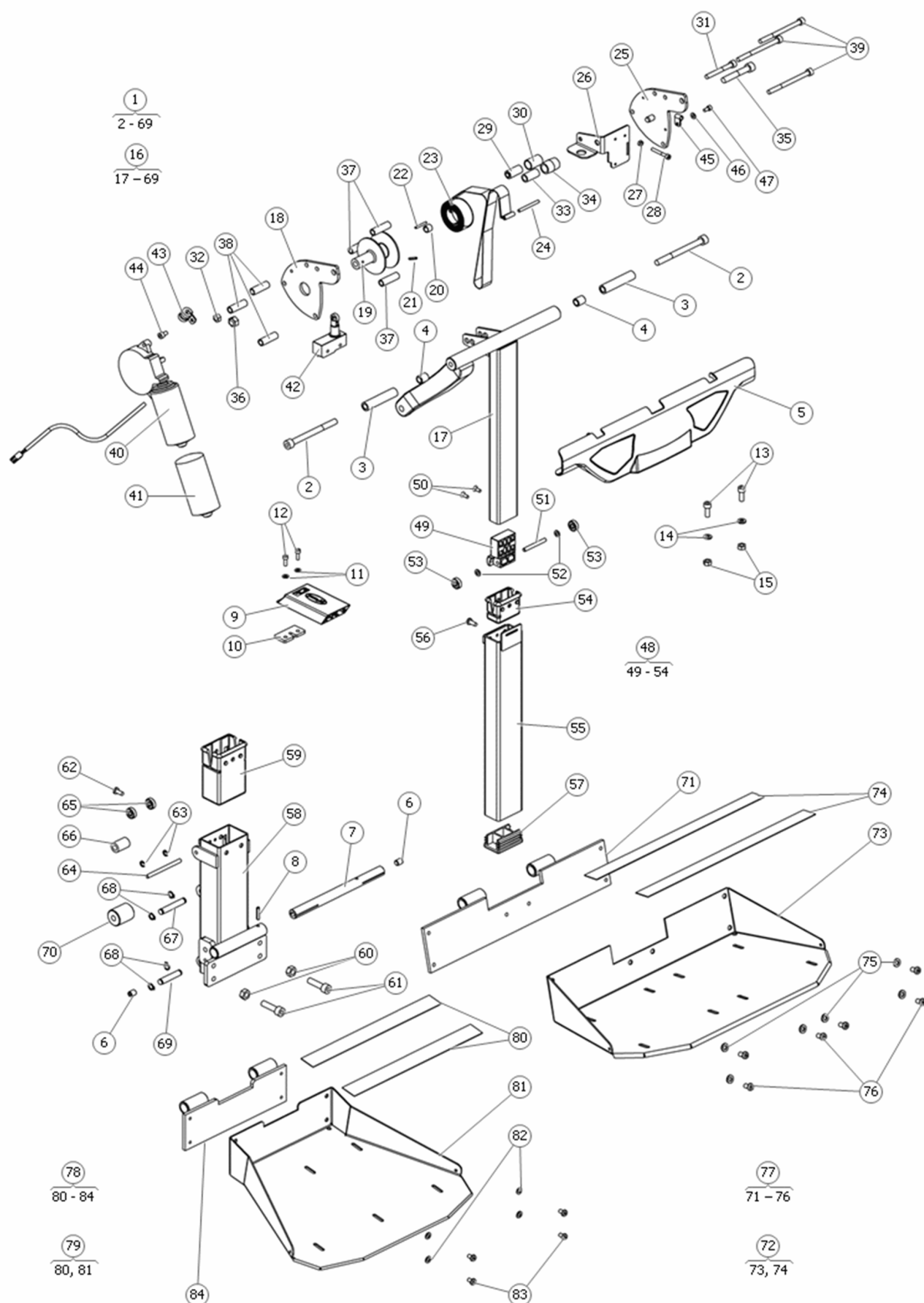
| Pos | Qty | Stock Code  | Description                       | Remark |
|-----|-----|-------------|-----------------------------------|--------|
| 1   | 1   |             | FOOT FOLDING ASSY WIDE, LOW MOUNT |        |
| 2   | 1   | 1831004     | FOTPLATTEHÅLLARE VÅ               |        |
| 3   | 1   |             | FOOT ADJUSTMENT LEFT              |        |
| 4   | 1   | 1831088     | MUTTERBRICKA UNITRACK MED         |        |
| 5   | 1   |             | SCREW ISO 4762 M6x12 Fe/Zn        |        |
| 6   | 1   | 1831006     | PLASTPLUGG FOTPLATTEFÄSTE         |        |
| 7   | 1   | 1825379     | FOTPLATTA 200X280 VÅNSTER         |        |
| 7   | 1   | 1825607     | FOTPLATTA 160X270 VÅNSTER         |        |
| 8   | 1   |             | FOOTPLATE WIDE (L)                |        |
| 9   | 1   |             | RUBBER PROTECT WIDE (L)           |        |
| 10  | 1   | 612980-99-0 | MUTTER ML6M M6 fzb                |        |
| 11  | 1   | 600195-99-0 | SKRUV MC6S 6x 25 fzb              |        |
| 12  | 1   |             | RUBBER PROTECT WIDE ©             |        |
| 13  | 1   |             | FOOTPLATE WIDE ©                  |        |
| 14  | 1   | 1825380     | FOTPLATTA 200X280 HÖGER           |        |
| 14  | 1   | 1825608     | FOTPLATTA 160X270 HÖGER           |        |
| 15  | 1   | 308371-99-0 | FRIKTIONSLED FOTPL CII            |        |
| 16  | 1   | 602165      | HEXAG. SOCK. BUTTON HEAD          |        |
| 16  | 1   | 602165-99-0 | SKRUV K6S 8x25 fzb                |        |
| 16  | 1   | 602165-99-0 | SKRUV K6S 8x25 fzb                |        |
| 17  | 1   |             | FRICTIONS BRAKE                   |        |
| 18  | 1   | 602127-99-0 | BR SCHNORR 8.4x13x0.8             |        |
| 19  | 1   | 1831005     | FOTPLATTEHÅLLARE HÖ               |        |
| 20  | 1   |             | FOOT ADJUSTMENT RIGHT             |        |
| 21  | 1   | 1831007     | PLASTPLUGG FOTPLATTEFÄSTE         |        |



| Pos | Qty | Stock Code  | Description                            | Remark |
|-----|-----|-------------|----------------------------------------|--------|
| 1   | 1   | 1831277     | KNÄSTOPP F5 VS                         |        |
| 1   | 1   |             | KNEESTOP                               |        |
| 2   | 1   | 1831532     | KNÄSTOPPSHÅLLARE                       |        |
| 2   | 1   |             | KNEESTOP                               |        |
| 3   | 1   |             | INNER TUBE                             |        |
| 4   | 1   | 1830998     | PLASTPLUGG KNÄSTÖD                     |        |
| 4   | 1   |             | CAP                                    |        |
| 5   | 1   |             | LOCK                                   |        |
| 6   | 1   | 600743-99-0 | SKRUV MC6S 6x 16 fzb                   |        |
| 7   | 1   |             | SPRING                                 |        |
| 8   | 1   |             | PARALLEL PIN ISO 2338 h8 4x28 A1       |        |
| 9   | 2   |             | QUICK LOCK WASH PN-4 Ø4                |        |
| 10  | 1   | 1831240     | KNÄSTOPPSLÅS                           |        |
| 11  | 1   |             | HANDLE                                 |        |
| 12  | 2   |             | PLAIN WASHER NFE 25513 Fe/Zn 3,2x8x0,8 |        |
| 13  | 2   | 602690-99-0 | SKRUV MC6S 3x 8 fzb                    |        |
| 14  | 1   |             | SPACER                                 |        |
| 15  | 1   |             | SCREW ISO 7380 M4x10 Fe/Zn DIN 267-28  |        |
| 16  | 1   |             | FRAME                                  |        |
| 17  | 2   | 1823260     | PLASTPL Ø22x25 (Ø19-20)                |        |
| 17  | 2   |             | PLASTIC PLUG Ø22x25 (Ø19-20)           |        |
| 18  | 1   |             | SCREW                                  |        |
| 19  | 1   |             | SPACER                                 |        |
| 20  | 1   |             | PARALLEL PIN DIN 1470 3x14             |        |
| 21  | 1   | 601427-99-0 | BR BRB 8.4x15x1.6 fzb                  |        |
| 22  | 1   |             | SPRING TF 1,2x9x20 (Dt x Di x L0)      |        |
| 23  | 1   |             | PLASTIC KNOB                           |        |
| 24  | 1   |             | PARALLEL PIN DIN 1470 3x30             |        |
| 25  | 1   | 1830899     | KNÄSTOPPSKUDDE MED FÄSTE               |        |
| 25  | 2   |             | KNEESTOP                               |        |
| 26  | 1   |             | KNEESTOP                               |        |
| 27  | 1   | 1830900     | KNÄSTOPPSKLAMMER F5                    |        |
| 27  | 1   |             | BRACKET                                |        |
| 28  | 2   | 600543-99-0 | SKRUV MC6S 5x20 fzb                    |        |
| 29  | 4   | 600189-99-0 | SKRUV MC6S 5x10 fzb                    |        |
| 30  | 1   | 1831189     | KNÄSTOPPSKUDDE F5 VS                   |        |
| 30  | 2   |             | UPHOLSTERY                             |        |
| 31  | 1   | 1830999     | KNÄSTOPPSBRICKOR F5                    |        |
| 31  | 1   |             | SPACER                                 |        |
| 32  | 4   |             | BRACKET                                |        |
| 33  | 8   | 600543-99-0 | SKRUV MC6S 5x20 fzb                    |        |
| 34  | 8   | 601165-99-0 | SKRUV MC6S 5x16 fzb                    |        |



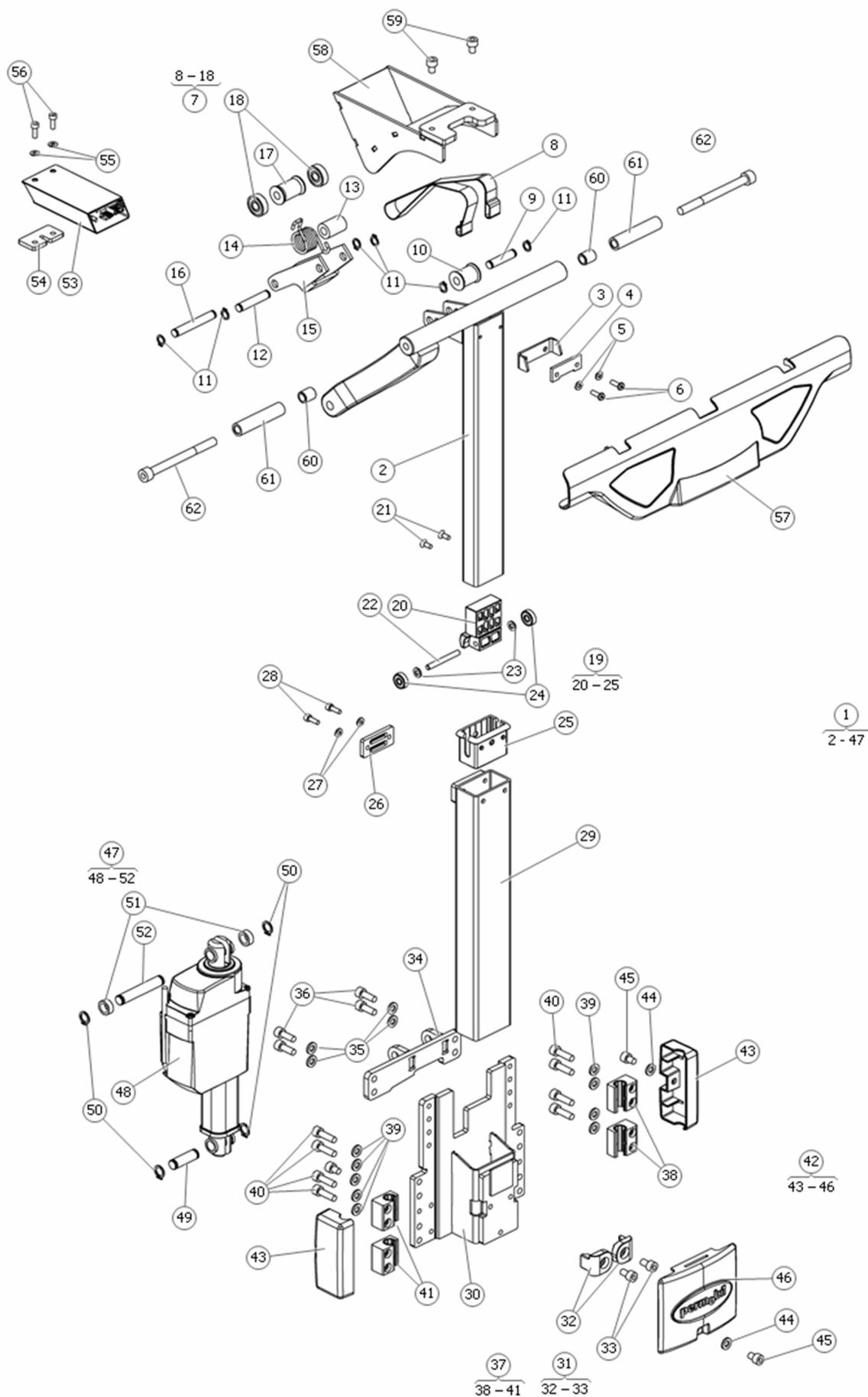
| Pos | Qty | Stock Code  | Description               | Remark                    |
|-----|-----|-------------|---------------------------|---------------------------|
| 1   | 1   | 1826749     | EL REGL BEN C3G           |                           |
| 1   | 1   | 1828951     | EL REGL BEN M400 C3G      | Only on M300/M400 chassis |
| 2   | 1   | 1826512     | S.DON RE25 156+150 (SLAG) |                           |
| 2   | 1   | 1828950     | S.DON RE25 156+150 (SLAG) | Only on M300/M400 chassis |
| 3   | 1   | 600192-99-0 | SKRUV MC6S 6x 12 fzb      |                           |
| 4   | 1   | 612675-99-0 | WASHER, ISO 7093-1 6,4x18 |                           |
| 5   | 1   | 601396-99-0 | SKRUV MC6S 10x 60 fzb     |                           |
| 6   | 1   | 600241-99-0 | BR BRB 10.5x20x2 fzb STD  |                           |
| 7   | 1   |             | Bush                      |                           |
| 8   | 1   | 600229-99-0 | LÅSMUTTER M10 fzb         |                           |
| 9   | 1   |             | Outer tube                |                           |
| 10  | 1   |             | Adjustment bar            |                           |
| 11  | 1   | 602328-00-0 | INSTÄLLN.BULT GN617 AK5   |                           |
| 12  | 1   | 1825617     | S.DON MANUELL BENSTÖD     |                           |
| 13  | 1   | 1826750     | MAN REGL BEN C3G          |                           |
| 14  | 1   | 1825376     | SKRUVSATS S.DON BEN       |                           |
| 15  | 1   | 1825616     | KAPA S.DON                |                           |



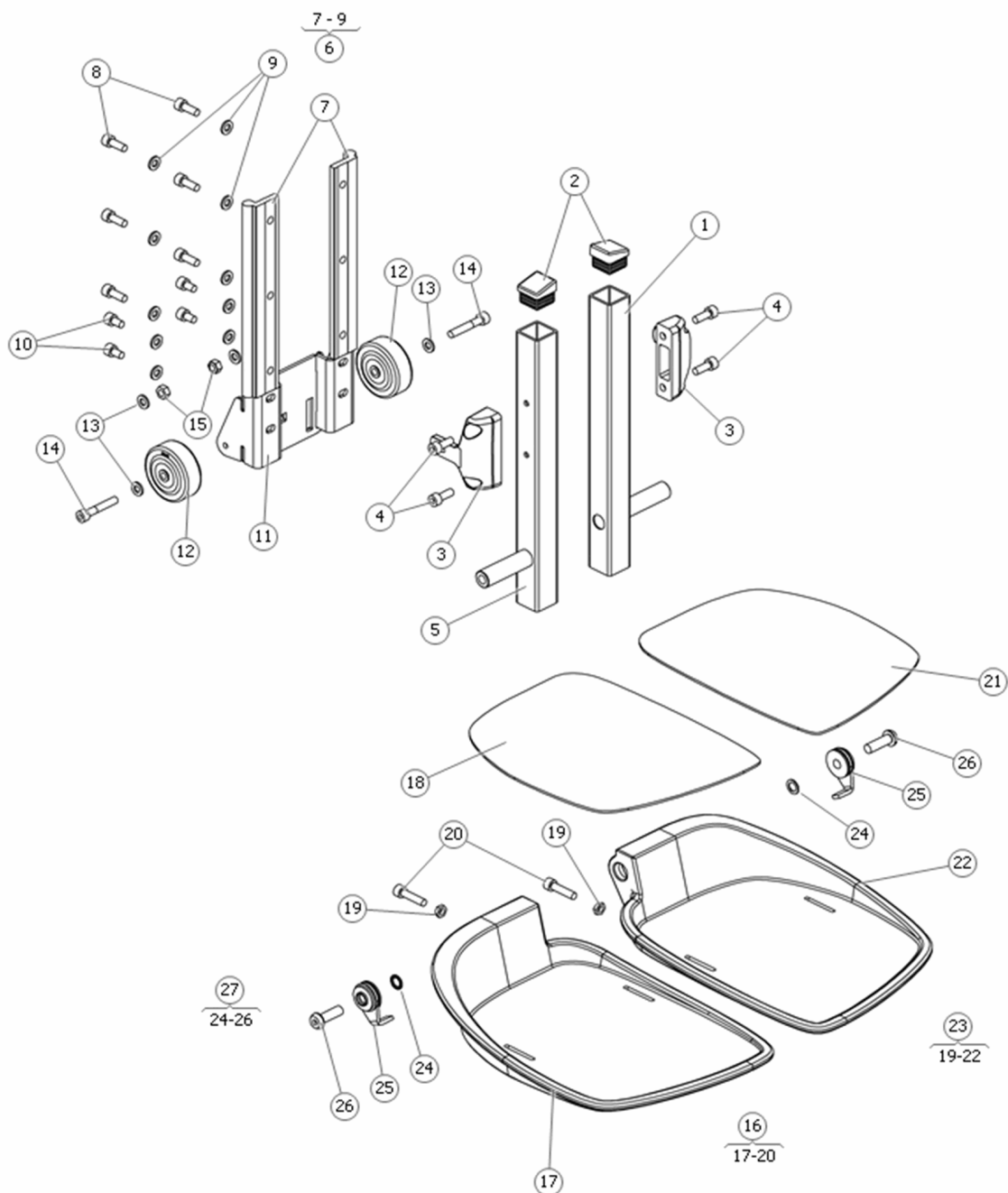


| Pos | Qty | Stock Code  | Description                                | Remark                                                  |
|-----|-----|-------------|--------------------------------------------|---------------------------------------------------------|
| 1   | 1   | 1825521     | BENSTÖD RA C3G                             |                                                         |
| 2   | 1   | 601702-99-0 | SKRUV MC6S 8x 90 fzb                       |                                                         |
| 3   | 1   | 1829672     | HYLSA SITSRAM                              |                                                         |
| 4   | 1   | 1829666     | BUSSNING L=14 Ø12/8                        |                                                         |
| 5   | 1   | 1825384     | KÅPA ÖVRE BENSTÖD                          |                                                         |
| 6   | 1   | 600737-99-0 | SKRUV SK6SS 8x10                           |                                                         |
| 7   | 1   | 306085-99-0 | SHAFT FOOTPLATE HINGE                      |                                                         |
| 8   | 1   | 601456-99-0 | RÖRPINNE FRP 4x20                          |                                                         |
| 9   | 1   | 1825546     | GENERALMODUL ICS BENSTÖD                   |                                                         |
| 10  | 1   | 1827727     | WASHER GENERAL MODULE                      |                                                         |
| 11  | 1   | 601296-99-0 | BR BRB 4.3x 9x0.8 fzb                      |                                                         |
| 12  | 1   | 600184-99-0 | SKRUV MC6S 4x12 fzb                        |                                                         |
| 13  | 1   | 600743-99-0 | SKRUV MC6S 6x 16 fzb                       |                                                         |
| 14  | 1   | 600238-99-0 | BR BRB 6.4x12x1.6 fzb                      |                                                         |
| 15  | 1   | 600227-99-0 | LÅSMUTTER M 6 fzb                          |                                                         |
| 16  | 1   | 1825522     | MOTORENHET RA EXKL FOTPL.                  |                                                         |
| 17  | 1   |             | Inner profile                              |                                                         |
| 18  | 1   |             | Bracket Motor                              |                                                         |
| 19  | 1   |             | Roller                                     |                                                         |
| 20  | 1   |             | Slide bearing 08/10x08 SBT                 |                                                         |
| 21  | 1   |             | Spring pin ISO 8752 3x16 St                |                                                         |
| 22  | 1   |             | Parallel pin ISO 2338 3 m6x22 A1           |                                                         |
| 23  | 1   | 306067-00-0 | BAND BENSTÖD RA EL CII GN                  |                                                         |
| 24  | 1   |             | Threaded rod DIN 975 M4 Fe/Zn              |                                                         |
| 25  | 1   |             | Bracket Motor                              |                                                         |
| 26  | 1   |             | Bracket Wire sensor                        |                                                         |
| 27  | 1   | 600231-99-0 | MUTTER M6M 4 fzb                           |                                                         |
| 28  | 1   |             | Screw ISO 4762 M4x30 Fe/Zn                 |                                                         |
| 29  | 1   |             | Roller Inner                               |                                                         |
| 30  | 1   |             | Roller Outer                               |                                                         |
| 31  | 1   |             | Screw ISO 4762 M6x50 Fe/Zn                 |                                                         |
| 32  | 1   | 600232-99-0 | MUTTER M6M 6 fzb                           |                                                         |
| 33  | 1   |             | Spacer Inner                               |                                                         |
| 34  | 1   |             | Socket                                     |                                                         |
| 35  | 1   | 600276-99-0 | SKRUV MC6S 8x 50 fzb                       |                                                         |
| 36  | 1   | 600228-99-0 | LÅSMUTTER M 8 fzb                          |                                                         |
| 37  | 1   |             | Socket                                     |                                                         |
| 38  | 1   |             | Socket                                     |                                                         |
| 39  | 1   |             | BOLT MC6S 6x80 fzb                         |                                                         |
| 40  | 1   | 1825720     | MOTOR BAND RA ver.2                        |                                                         |
| 41  | 0   |             | Rubber sleeve                              |                                                         |
| 42  | 1   |             | Micro switch Button roller turned90°       |                                                         |
| 43  | 1   |             | Cable clip Ø8 ALU7C                        |                                                         |
| 44  | 1   | 600188-99-0 | SKRUV MC6S 5x 8 fzb                        |                                                         |
| 45  | 1   | 1821748     | KABELFÄSTE 5mm                             |                                                         |
| 46  | 1   | 601296-99-0 | BR BRB 4.3x 9x0.8 fzb                      |                                                         |
| 47  | 1   |             | BOLT MC6S 4x6 fzb ISO 4762 Fe/Zn           |                                                         |
| 48  | 1   | 1825375     | REP.SATS RÖRFÖRLÄNG BENST                  |                                                         |
| 49  | 1   |             | Plastic plug                               |                                                         |
| 50  | 1   | 600208-99-0 | SKRUV MF6S 4x10 fzb                        |                                                         |
| 51  | 1   |             | Pin                                        |                                                         |
| 52  | 1   | 600237-99-0 | BR BRB 5.3x10x1 fzb STD                    |                                                         |
| 53  | 1   |             | Ball bearing 625-2RS1 (5x16x5)             |                                                         |
| 54  | 1   |             | Plastic plug                               |                                                         |
| 55  | 1   |             | Profile                                    |                                                         |
| 56  | 1   | 613469-99-0 | SKRUV MRT-TT 5x 12fzb                      |                                                         |
| 57  | 1   |             | Plastic plug 30x50 (27-28,5x47-48,5) BLACK |                                                         |
| 58  | 1   |             | Outer profil                               |                                                         |
| 59  | 1   |             | Bush                                       |                                                         |
| 60  | 1   | 600233-99-0 | MUTTER M6M 8 fzb                           |                                                         |
| 61  | 1   | 600880-99-0 | SKRUV MC6S 8x 30 fzb                       |                                                         |
| 62  | 1   | 613469-99-0 | SKRUV MRT-TT 5x 12fzb                      |                                                         |
| 63  | 1   |             | Circlip DIN 6799 4x9x0,7                   |                                                         |
| 64  | 1   |             | Pin                                        |                                                         |
| 65  | 1   |             | Ball bearing 625-2RS1 (5x16x5)             |                                                         |
| 66  | 1   |             | Roller                                     |                                                         |
| 67  | 1   |             | Shaft                                      |                                                         |
| 68  | 1   | 600503-99-0 | SPÄRRING SgA 8                             |                                                         |
| 69  | 1   | 305221-99-0 | AXEL 43mm RULLE                            |                                                         |
| 70  | 1   |             | Roller                                     |                                                         |
| 71  | 1   |             | Hinge                                      |                                                         |
| 72  | 1   | 1828008     | FOOTPLATE 1-PIECE WIDE RA                  |                                                         |
| 73  | 1   |             | Footplate                                  |                                                         |
| 74  | 1   | 603068-00-0 | HALSKYDDSTAPE B=25                         | Slip protection on roll: width 25 mm, lenght 18,3 meter |
| 75  | 1   | 600238-99-0 | BR BRB 6.4x12x1.6 fzb                      |                                                         |
| 76  | 1   | 600736-99-0 | SKRUV K6S 6x10 fzb                         |                                                         |
| 77  | 1   | 1828010     | FOTPLATTEHÖJ EL TRANSFER                   |                                                         |
| 78  | 1   | 1828011     | FOTPLATTEHÖJ EL TRANSFER                   |                                                         |
| 79  | 1   | 1828009     | FOOTPLATE 1-PIECE NARROW                   |                                                         |
| 80  | 1   | 603068-00-0 | HALSKYDDSTAPE B=25                         | Slip protection on roll: width 25 mm, lenght 18,3 meter |
| 81  | 1   |             | FOOTPLATE                                  |                                                         |
| 82  | 1   | 600237-99-0 | BR BRB 5.3x10x1 fzb STD                    |                                                         |
| 83  | 1   | 600740-99-0 | SKRUV K6S 5x 8 fzb                         |                                                         |

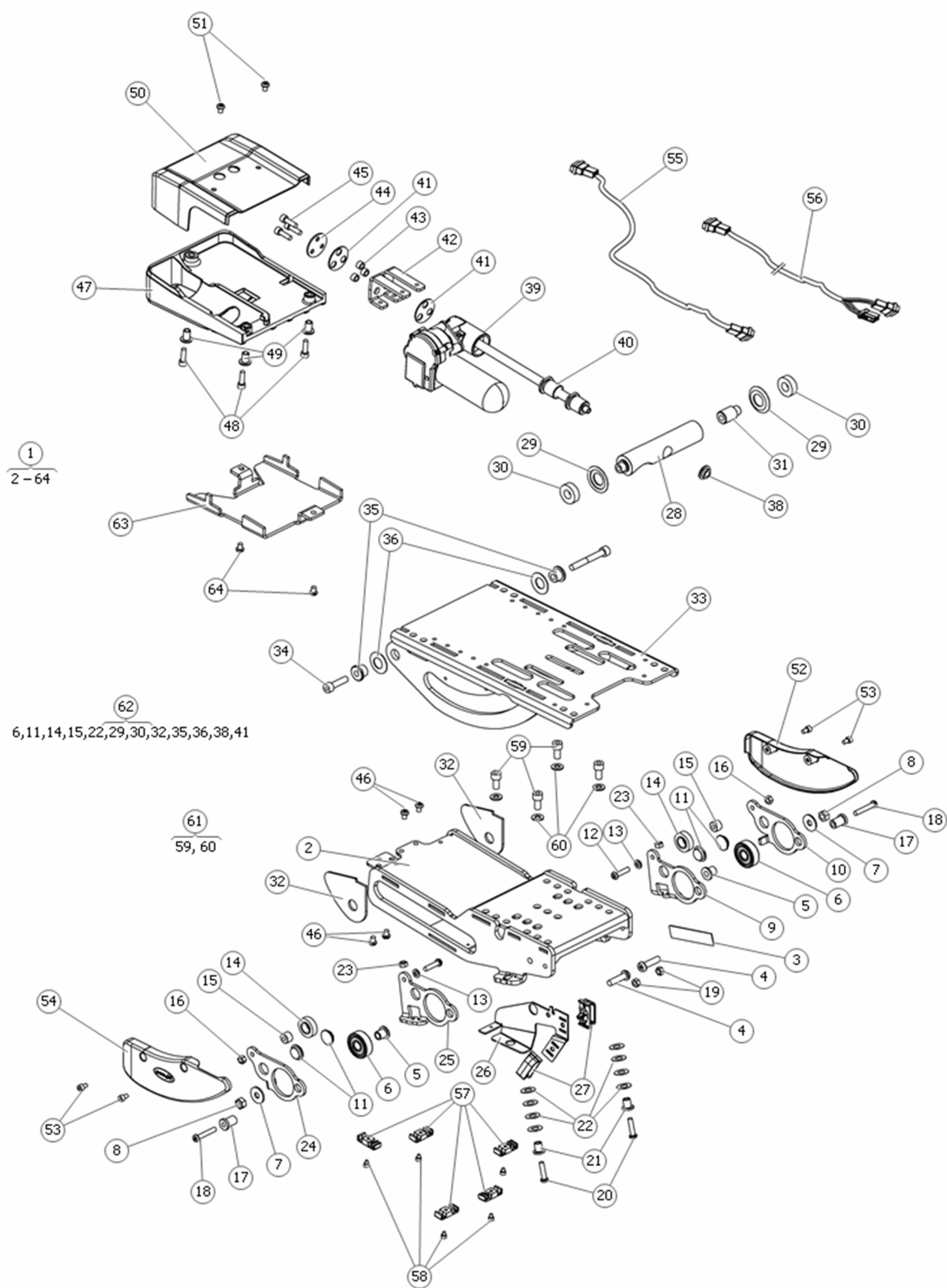
| Pos | Qty | Stock Code | Description     | Remark |
|-----|-----|------------|-----------------|--------|
| 84  | 1   |            | HINGE FOOTPLATE |        |



| Pos | Qty | Stock Code  | Description                                   | Remark        |
|-----|-----|-------------|-----------------------------------------------|---------------|
| 1   | 1   | 1828054     | BENSTÖD C 3G INKL S.DON                       | Long version  |
| 1   | 1   | 1828375     | BENSTÖD C 3G KORT EL                          | Short version |
| 2   | 1   | 1825527     | INNERPROFIL/LED BENSTÖD                       |               |
| 3   | 1   |             | Plate                                         |               |
| 4   | 1   | 1829669     | REMLÄSNING INNERRÖR BENST                     | Two required. |
| 5   | 2   | 601296-99-0 | BR BRB 4.3x 9x0.8 fzb                         |               |
| 6   | 2   | 600184-99-0 | SKRUV MC6S 4x12 fzb                           |               |
| 7   | 2   | 1825374     | REP.SATS BENUTSKJUT                           |               |
| 8   | 2   | 305245-00-0 | BAND VADSTÖD CII                              |               |
| 9   | 1   |             | Roller shaft L=34,5                           |               |
| 10  | 1   |             | Roller                                        |               |
| 11  | 1   | 600503-99-0 | SPÄRRING SgA 8                                |               |
| 12  | 1   |             | Roller shaft L=40,5                           |               |
| 13  | 1   |             | Roller                                        |               |
| 14  | 1   | 1821260     | FJÄDER BANDSTRÄCKN RS                         |               |
| 15  | 1   | 1821089     | FÄSTE RULLE CII                               |               |
| 16  | 1   |             | Shaft                                         |               |
| 17  | 1   |             | Roller                                        |               |
| 18  | 1   | 600522-99-0 | KULLAGER 608-2RS1                             |               |
| 19  | 1   | 1825375     | REP.SATS RÖRFÖRLÄNG BENST                     |               |
| 20  | 1   |             | Plastic plug                                  |               |
| 21  | 2   | 600208-99-0 | SKRUV MF6S 4x10 fzb                           |               |
| 22  | 2   |             | Pin                                           |               |
| 23  | 1   | 600237-99-0 | BR BRB 5.3x10x1 fzb STD                       |               |
| 24  | 2   |             | Ball bearing 625-2RS1 (5x16x5)                |               |
| 25  | 1   | 1829668     | PLASTPLUGG BENSTÖD                            |               |
| 26  | 1   | 1829670     | REMLÄSNING YTERRÖR BENST                      |               |
| 27  | 2   | 601296-99-0 | BR BRB 4.3x 9x0.8 fzb                         |               |
| 28  | 1   | 600184-99-0 | SKRUV MC6S 4x12 fzb                           |               |
| 29  | 2   |             | Ooter profil                                  |               |
| 30  | 2   |             | Holder                                        |               |
| 31  | 1   | 1828554     | HOLDER SLIDE BAR FOOT /a                      |               |
| 32  | 1   |             | Lock                                          |               |
| 33  | 2   | 600888-99-0 | SKRUV MC6S 6x 10 fzb                          |               |
| 34  | 2   |             | Bracket                                       |               |
| 35  | 1   | 600238-99-0 | BR BRB 6.4x12x1.6 fzb                         |               |
| 36  | 2   | 600743-99-0 | SKRUV MC6S 6x 16 fzb                          |               |
| 37  | 1   | 1828013     | LINEAR BEARING KIT POWER                      |               |
| 38  | 1   |             | Housing bearing linear Ø10,0 (26x29)          |               |
| 39  | 2   | 600238-99-0 | BR BRB 6.4x12x1.6 fzb                         |               |
| 40  | 2   | 600194-99-0 | SKRUV MC6S 6x 20 fzb                          |               |
| 41  | 1   |             | Housing bearing linear Ø10,4 (26x29)          |               |
| 42  | 1   |             | Cover kit                                     |               |
| 43  | 1   |             | Cover                                         |               |
| 44  | 1   | 600238-99-0 | BR BRB 6.4x12x1.6 fzb                         |               |
| 45  | 2   | 600888-99-0 | SKRUV MC6S 6x 10 fzb                          |               |
| 46  | 8   |             | Cover                                         |               |
| 47  | 1   | 1828738     | S.DON INKL MONT.SATS                          |               |
| 48  | 1   |             | Actuator LA23 118+100(stroke) Ø10,2+Ø10,2 PWM |               |
| 49  | 1   |             | Shaft Ø10 L=32,5                              |               |
| 50  | 1   | 600271-99-0 | SPÄRRING SgA 10                               |               |
| 51  | 1   |             | Spacer Ø15xØ10,1x6                            |               |
| 52  | 4   |             | Shaft Ø10 L=58,5                              |               |
| 53  | 1   | 1825546     | GENERALMODUL ICS BENSTÖD                      |               |
| 53  | 0   |             | General module                                |               |
| 54  | 1   | 1827727     | WASHER GENERAL MODULE                         |               |
| 55  | 1   | 601296-99-0 | BR BRB 4.3x 9x0.8 fzb                         |               |
| 56  | 1   | 600184-99-0 | SKRUV MC6S 4x12 fzb                           |               |
| 57  | 1   | 1825384     | KAPA ÖVRE BENSTÖD                             |               |
| 58  | 1   | 1826393     | GLIDSKENA LÄNGDJUSTERING                      |               |
| 59  | 1   | 601359-99-0 | SKRUV MC6S 6x 8 fzb                           |               |
| 60  | 1   | 1829666     | BUSSNING L=14 Ø12/8                           |               |
| 61  | 1   | 1829672     | HYLSA SITSRAM                                 |               |
| 62  | 2   | 601702-99-0 | SKRUV MC6S 8x 90 fzb                          |               |

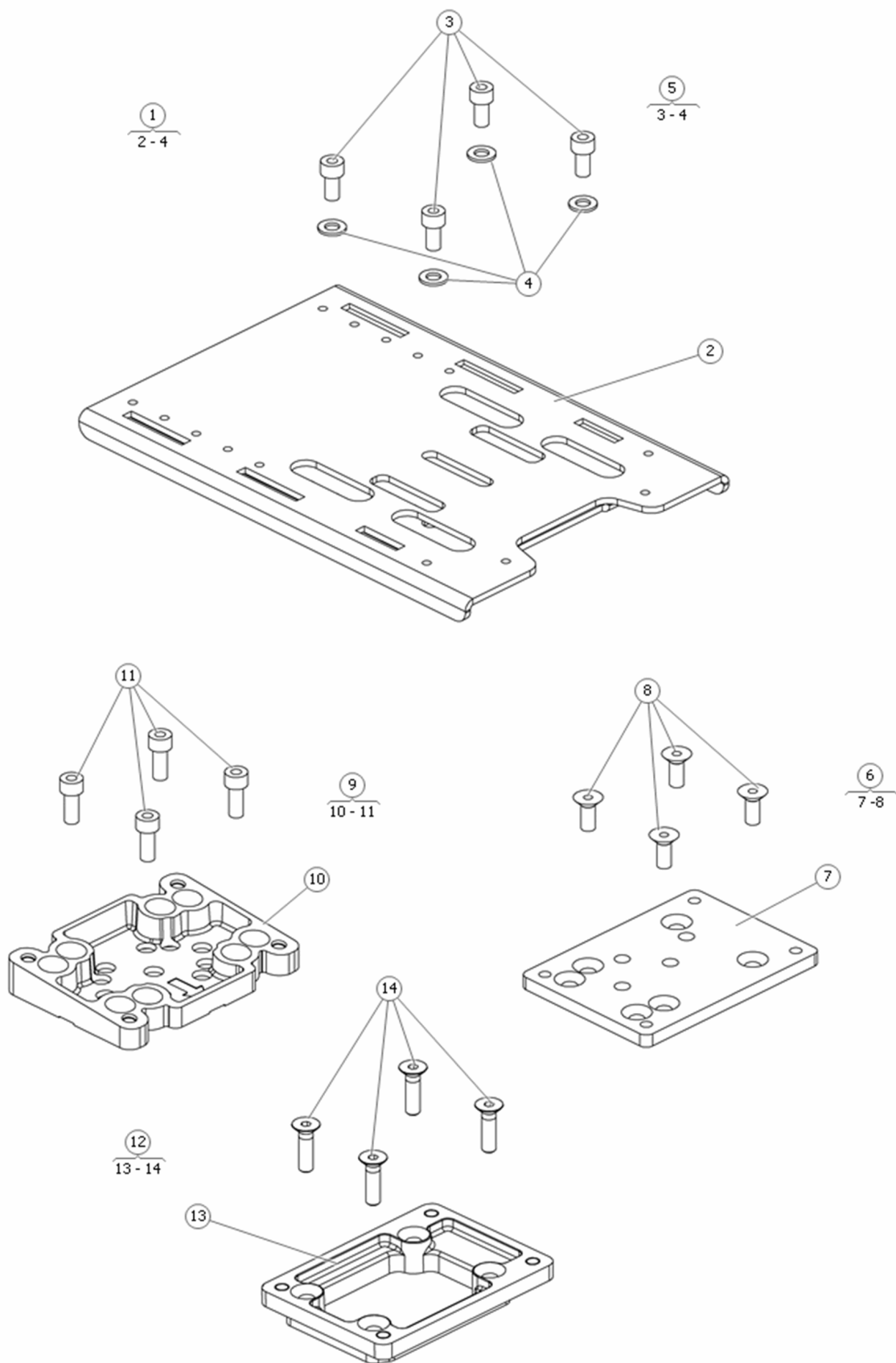


| Pos | Qty | Stock Code  | Description               | Remark |
|-----|-----|-------------|---------------------------|--------|
| 1   | 1   |             | Foot adjustment left      |        |
| 2   | 1   | 1827967     | PLASTPLUGG                |        |
| 3   | 1   |             | Bracket calfrest          |        |
| 4   | 1   | 600743-99-0 | SKRUV MC6S 6x 16 fzb      |        |
| 5   | 1   |             | Foot adjustment right     |        |
| 6   | 0   |             | NOTAVAILABLE              |        |
| 7   | 1   |             | Slide bar Ø10 L186        |        |
| 8   | 1   | 600743-99-0 | SKRUV MC6S 6x 16 fzb      |        |
| 9   | 1   | 600238-99-0 | BR BRB 6.4x12x1.6 fzb     |        |
| 10  | 1   | 600888-99-0 | SKRUV MC6S 6x 10 fzb      |        |
| 11  | 1   |             | Bracket                   |        |
| 12  | 1   | 602198-99-0 | HJUL STÖDBÄGE HVII VII    |        |
| 13  | 1   | 600238-99-0 | BR BRB 6.4x12x1.6 fzb     |        |
| 14  | 1   | 601333-99-0 | SKRUV MC6S 6x 35 fzb      |        |
| 15  | 1   | 600227-99-0 | LÅSMUTTER M 6 fzb         |        |
| 16  | 1   | 1825380     | FOTPLATTA 200X280 HÖGER   |        |
| 17  | 1   |             | Footplate                 |        |
| 18  | 1   |             | Rubber protect            |        |
| 19  | 1   | 612980-99-0 | MUTTER ML6M M6 fzb        |        |
| 20  | 1   | 600195-99-0 | SKRUV MC6S 6x 25 fzb      |        |
| 21  | 1   |             | RUBBER PROTECT            |        |
| 22  | 1   |             | Footplate                 |        |
| 23  | 1   | 1825379     | FOTPLATTA 200X280 VÄNSTER |        |
| 24  | 1   | 602127-99-0 | BR SCHNORR 8.4x13x0.8     |        |
| 25  | 1   |             | Frictionsbrake            |        |
| 26  | 1   | 602165-99-0 | SKRUV K6S 8x25 fzb        |        |
| 27  | 1   | 1821229     | FRIKTIONSBROMS FOTPL RS/e |        |
| 27  | 1   | 308371-99-0 | FRIKTIONSLED FOTPL CII    |        |

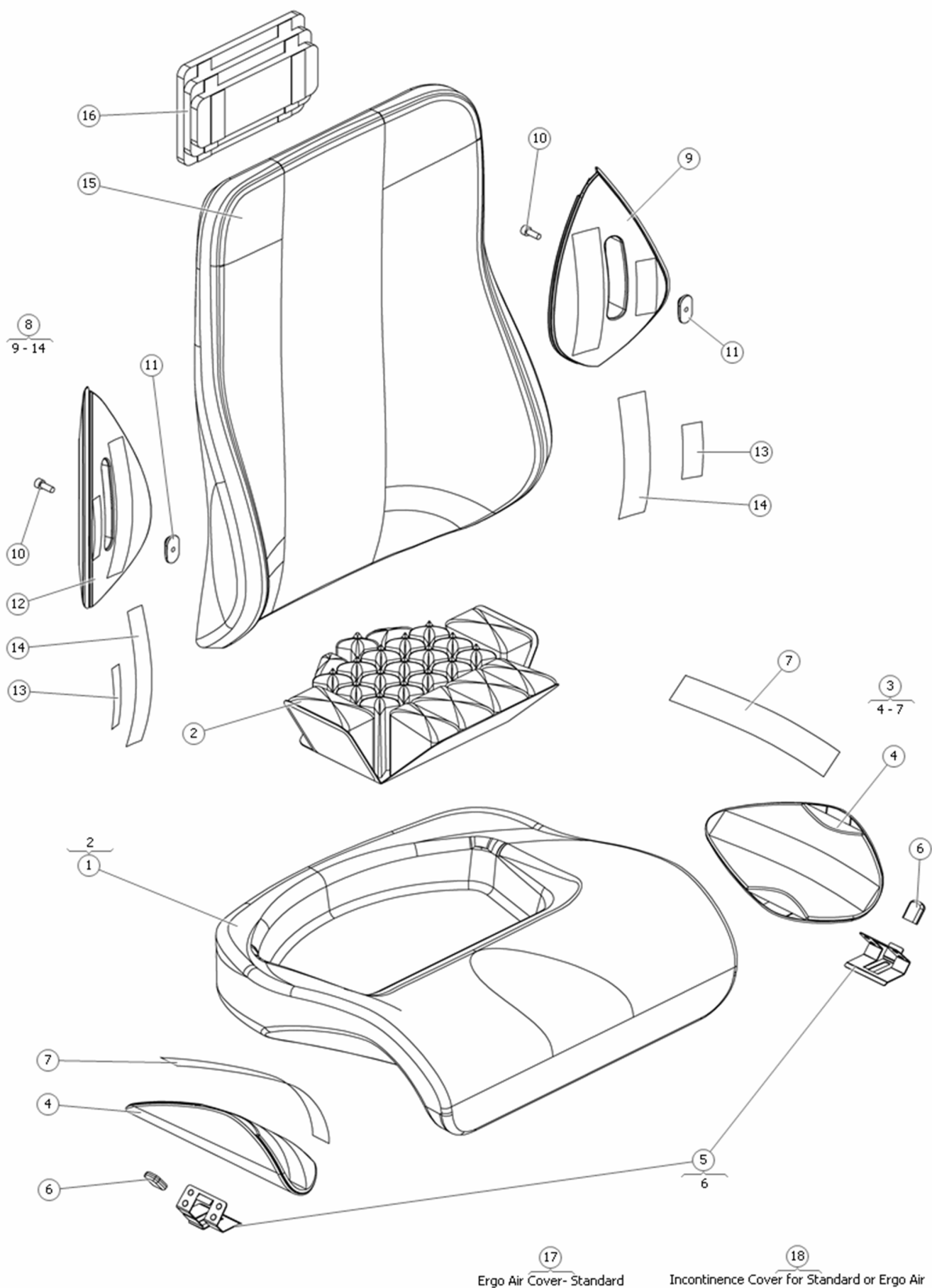


| Pos | Qty | Stock Code  | Description                                   | Remark |
|-----|-----|-------------|-----------------------------------------------|--------|
| 1   | 1   | 1825404     | SITSVINKLING 50° C 3G                         |        |
| 2   | 1   |             | Frame bottom                                  |        |
| 3   | 1   |             | Sticker manufact.no                           |        |
| 4   | 1   | 613218-99-0 | SKRUV K6S 8x 30fzb                            |        |
| 5   | 1   |             | Bearing socket                                |        |
| 6   | 1   |             | Ball bearing 6301-2Z (12x37x12)               |        |
| 7   | 1   |             | Washer ISO 7093-1 Fe/Zn 8,4x24x2              |        |
| 7   | 1   |             | WASHER RB 8,4x24x2 fzb 140HV DIN9021 ISO 7093 |        |
| 8   | 1   | 600228-99-0 | LASMUTTER M 8 fzb                             |        |
| 9   | 1   |             | Plate tension left inner                      |        |
| 10  | 1   |             | Plate tension left outer                      |        |
| 11  | 1   |             | Slide puck                                    |        |
| 12  | 1   |             | Screw ISO 7380 M6x25 Fe/Zn                    |        |
| 12  | 1   |             | BOLT K6S 6x25 fzb                             |        |
| 13  | 1   | 600238-99-0 | BR BRB 6.4x12x1.6 fzb                         |        |
| 14  | 1   |             | Roller tension                                |        |
| 15  | 1   |             | Socket                                        |        |
| 16  | 1   | 600227-99-0 | LASMUTTER M 6 fzb                             |        |
| 17  | 1   |             | Socket                                        |        |
| 18  | 1   |             | Screw ISO 7380 M6x35 Fe/Zn                    |        |
| 19  | 1   | 600227-99-0 | LASMUTTER M 6 fzb                             |        |
| 20  | 1   |             | Screw ISO 7380 M6x25 Fe/Zn                    |        |
| 20  | 1   |             | BOLT K6S 6x25 fzb                             |        |
| 21  | 1   |             | Socket                                        |        |
| 22  | 1   | 601407-99-0 | BRICKFJÄDER 20x10.2x0.5                       |        |
| 23  | 1   | 600227-99-0 | LASMUTTER M 6 fzb                             |        |
| 24  | 1   |             | Plate tension right outer                     |        |
| 25  | 1   |             | Plate tension right inner                     |        |
| 26  | 1   |             | Plate                                         |        |
| 27  | 1   | 1826861     | KABELFÄSTE 30x10                              |        |
| 28  | 1   |             | Shaft                                         |        |
| 29  | 1   |             | Washer                                        |        |
| 30  | 1   |             | Bearing                                       |        |
| 31  | 1   |             | Socket                                        |        |
| 32  | 1   |             | Crush guard                                   |        |
| 33  | 1   |             | Frame top                                     |        |
| 34  | 1   | 600880-99-0 | SKRUV MC6S 8x 30 fzb                          |        |
| 35  | 1   |             | Bush                                          |        |
| 36  | 1   |             | Disc spring DIN 2093 16,3x31,5x0,8            |        |
| 38  | 1   |             | Bearing                                       |        |
| 39  | 1   | 1825405     | S.DON RE25 170 (slag)                         |        |
| 40  | 1   |             | Actuator nut                                  |        |
| 41  | 1   |             | Damper                                        |        |
| 42  | 1   |             | Bracket                                       |        |
| 43  | 1   |             | Socket                                        |        |
| 44  | 1   |             | Washer                                        |        |
| 45  | 1   | 600194-99-0 | SKRUV MC6S 6x 20 fzb                          |        |
| 46  | 1   |             | Screw ISO 7380 M6x8 Fe/Zn 5 C4                | Black  |
| 47  | 1   | 1825688     | KÅPA KLÄMSKYDD BAK                            |        |
| 48  | 1   | 600194-99-0 | SKRUV MC6S 6x 20 fzb                          |        |
| 49  | 1   |             | Spacer                                        |        |
| 50  | 1   | 1825687     | KÅPA SITSVINKLIN BAK ÖVRE                     |        |
| 51  | 1   |             | Screw ISO 7380 M6x8 Fe/Zn 5 C4                | Black  |
| 52  | 1   | 1825685     | KÅPA SITSVINKLING VÄNSTER                     |        |
| 53  | 1   | 600188-99-0 | SKRUV MC6S 5x 8 fzb                           |        |
| 54  | 1   | 1825686     | KÅPA SITSVINKLING HÖGER                       |        |
| 55  | 1   | 1825539     | KABL FÖRL. ICS 1100 mm                        |        |
| 56  | 1   | 1825541     | KABL ICS FÖRGRENING 60mm.                     |        |
| 57  | 1   | 1825406     | KABELFÄSTE (3 KABLAR)                         |        |
| 58  | 1   | 601282-99-0 | SKRUV MC6S 4x 5 fzb                           |        |
| 59  | 1   | 600590-99-0 | SKRUV MC6S 8x 16 fzb                          |        |
| 60  | 1   | 600239-99-0 | BR BRB 8.4x16x1.6 fzb                         |        |
| 61  | 1   | 1826305     | SKRUVSATS FÄSTE SITS                          |        |
| 62  | 1   | 1825673     | BRICKSATS SITSVINKLIN 50°                     |        |
| 63  | 1   |             | Support plate                                 |        |
| 64  | 1   |             | Screw ISO 7380 M6x8 Fe/Zn 5 C4                |        |



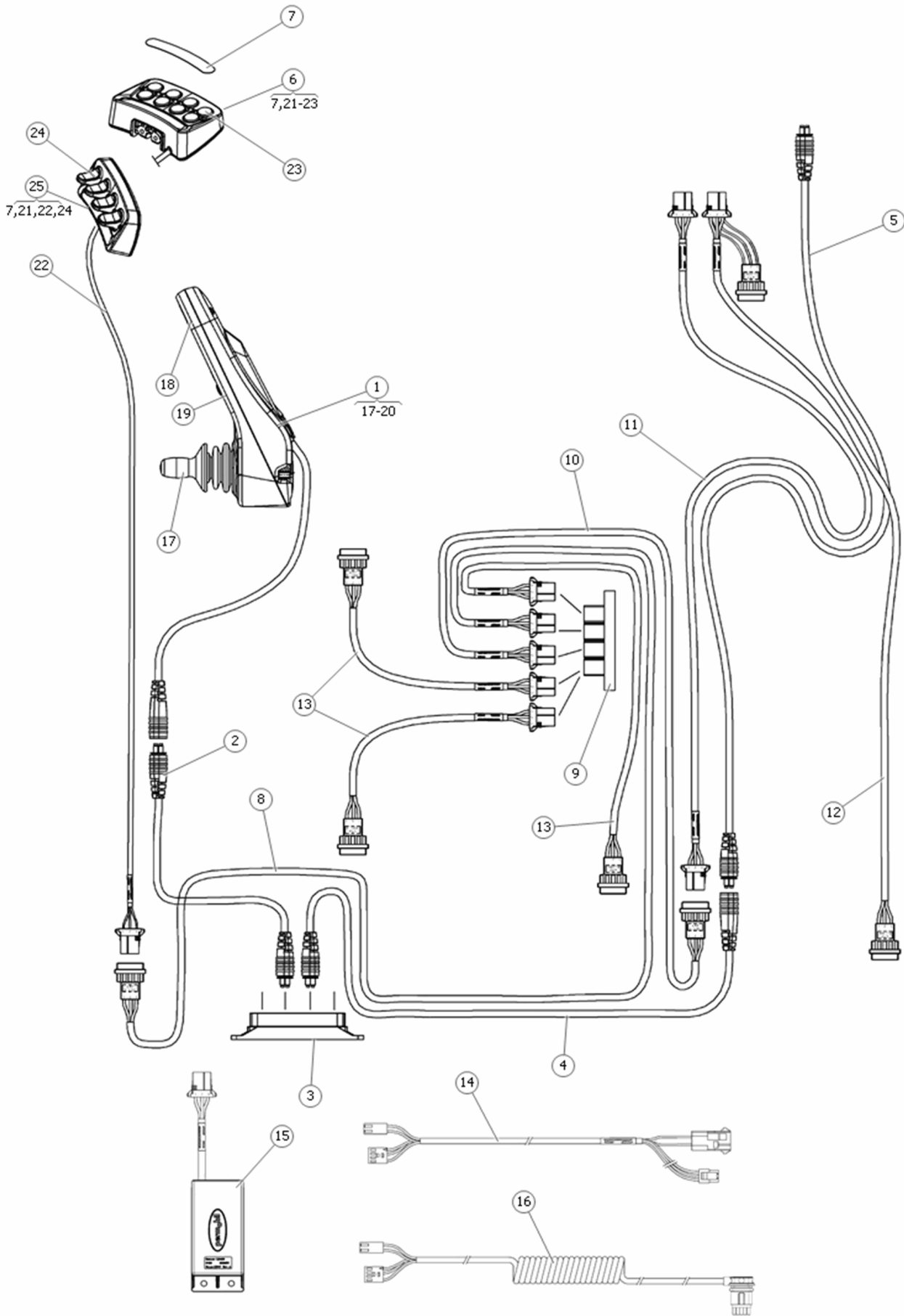


| Pos | Qty | Stock Code  | Description               | Remark         |
|-----|-----|-------------|---------------------------|----------------|
| 1   | 1   | 1826452     | MONTERINGSSATS FAST C 3G  |                |
| 2   | 1   | 1826451     | SITSPLAT FAST SITS        |                |
| 3   | 1   | 600590-99-0 | SKRUV MC6S 8x 16 fzb      |                |
| 4   | 1   | 600239-99-0 | BR BRB 8.4x16x1.6 fzb     |                |
| 5   | 1   | 1826305     | SKRUVSATS FÄSTE SITS      |                |
| 6   | 1   | 1825589     | SITSMONTERING HORISONTELL |                |
| 7   | 1   | 1826447     | ADAPTER SITSPLATTA        |                |
| 8   | 1   | 1826304     | SKRUVSATS ADAPTER PLATTA  | Incl. 4 screws |
| 9   | 1   | 1825590     | SITSMONTERING AKTIV -5°   |                |
| 10  | 1   | 1826448     | ADAPTER NEG. SITSLUT -5°  |                |
| 11  | 1   | 1826302     | SKRUVSATS ADAPTER         | incl. 4 screws |
| 12  | 1   | 1826450     | SITSMONTERING HORISONTELL |                |
| 13  | 1   | 1826449     | ADAPTER SITSPLATTA        |                |
| 14  | 1   | 1826303     | SKRUVSATS ADAPTER PLATTA  | Incl. 4 screws |



| Pos | Qty | Stock Code  | Description               | Remark                          |
|-----|-----|-------------|---------------------------|---------------------------------|
| 1   | 1   | 1826136     | SITSDYNA SKAI 420x420/e   |                                 |
| 1   | 1   | 1826138     | SITSDYNA SKAI 420x520/e   |                                 |
| 1   | 1   | 1826139     | SITSDYNA SKAI 470x420/e   |                                 |
| 1   | 1   | 1826140     | SITSDYNA SKAI 470x470/e   |                                 |
| 1   | 1   | 1826141     | SITSDYNA SKAI 470x520/e   |                                 |
| 1   | 1   | 1826142     | SITSDYNA SKAI 520x420/e   |                                 |
| 1   | 1   | 1826143     | SITSDYNA SKAI 520x470/a   |                                 |
| 1   | 1   | 1826156     | SITSDYNA MESH SVART/e     |                                 |
| 1   | 1   | 1826158     | SITSDYNA MESH SVART/e     |                                 |
| 1   | 1   | 1826159     | SITSDYNA MESH SVART/e     |                                 |
| 1   | 1   | 1826160     | SITSDYNA MESH SVART/e     |                                 |
| 1   | 1   | 1826161     | SITSDYNA MESH SVART/e     |                                 |
| 1   | 1   | 1828584     | SITSDYNA C3G/HD 470x470   |                                 |
| 1   | 1   | 1828585     | SITSDYNA C3G/HD 470x470   |                                 |
| 1   | 1   | 1828586     | SITSDYNA C3G/HD 470x520   |                                 |
| 1   | 1   | 1828587     | SITSDYNA C3G/HD 470x520   |                                 |
| 1   | 1   | 1828588     | SITSDYNA C3G/HD 520x470   |                                 |
| 1   | 1   | 1828589     | SITSDYNA C3G/HD 520x470   |                                 |
| 1   | 1   | 1828590     | SITSDYNA C3G/HD 520x520   |                                 |
| 1   | 1   | 1828591     | SITSDYNA C3G/HD 520x520   |                                 |
| 1   | 1   | 1828633     | SITSDYNA C3G/HD 420x420   |                                 |
| 1   | 1   | 1828634     | SITSDYNA C3G/HD 420x420   |                                 |
| 1   | 1   | 1828635     | SITSDYNA C3G/HD 420x470   |                                 |
| 1   | 1   | 1828636     | SITSDYNA C3G/HD 420x470   |                                 |
| 1   | 1   | 1828637     | SITSDYNA C3G/HD 420x520   |                                 |
| 1   | 1   | 1828638     | SITSDYNA C3G/HD 420x520   |                                 |
| 1   | 1   | 1828639     | SITSDYNA C3G 470x420      |                                 |
| 1   | 1   | 1828640     | SITSDYNA C3G 470x420      |                                 |
| 1   | 1   | 1828641     | SITSDYNA C3G/HD 520x420   |                                 |
| 1   | 1   | 1828642     | SITSDYNA C3G/HD 520x420   |                                 |
| 1   | 1   | 1828920     | SITSDYNA ERGO AIR C3G     |                                 |
| 1   | 1   | 1828921     | SITSDYNA ERGO AIR C3G     |                                 |
| 1   | 1   | 1828922     | SITSDYNA ERGO AIR C3G     |                                 |
| 1   | 1   | 1828923     | SITSDYNA ERGO AIR C3G     |                                 |
| 1   | 1   | 1828924     | SITSDYNA ERGO AIR C3G     |                                 |
| 1   | 1   | 1828925     | SITSDYNA ERGO AIR C3G     |                                 |
| 1   | 1   | 1828926     | SITSDYNA ERGO AIR C3G     |                                 |
| 1   | 1   | 1828927     | SITSDYNA ERGO AIR C3G     |                                 |
| 1   | 1   | 1828928     | SITSDYNA ERGO AIR C3G     |                                 |
| 2   | 1   | 1829901     | ILÄGG DYNA ERGO AIR C3G   | Incl. Velcro tape for mounting. |
| 2   | 1   | 1829902     | ILÄGG DYNA ERGO AIR C3G   | Incl. Velcro tape for mounting. |
| 3   | 1   | 1825736     | LÄRSTÖD ERGO (V/H)        |                                 |
| 4   | 1   |             | Support                   |                                 |
| 5   | 1   |             | Bracket Thigh support     |                                 |
| 6   | 1   | 1826969     | LOCK LÄRSTÖD C 3G         |                                 |
| 7   | 1   |             | Velcro tape W=30 L=245    |                                 |
| 8   | 1   | 1826163     | BÄLSTÖD ERGO LITET C 3G   |                                 |
| 8   | 1   | 1826164     | BÄLSTÖD ERGO STORT C 3G   |                                 |
| 9   | 1   | 1826131     | BÄLSTÖD STORT VÄNSTER     |                                 |
| 9   | 1   | 1826133     | BÄLSTÖD LITET VÄNSTER     |                                 |
| 10  | 1   | 600743-99-0 | SKRUV MC6S 6x 16 fzb      |                                 |
| 11  | 1   | 1826461     | MUTTER BÄLSTÖD ERGO       |                                 |
| 12  | 1   | 1826132     | BÄLSTÖD STORT HÖGER       |                                 |
| 12  | 1   | 1826134     | BÄLSTÖD LITET HÖGER       |                                 |
| 13  | 1   |             | Velcro tape W=20 L=65     |                                 |
| 14  | 1   |             | Velcro tape W=30 L=150    |                                 |
| 15  | 1   | 1826165     | RYGGDYNA SKAI 410x480     |                                 |
| 15  | 1   | 1826166     | RYGGDYNA SKAI 460x480     |                                 |
| 15  | 1   | 1826167     | RYGGDYNA SKAI 360x545-595 |                                 |
| 15  | 1   | 1826168     | RYGGDYNA SKAI 410x545-595 |                                 |
| 15  | 1   | 1826169     | RYGGDYNA SKAI 460x545-595 |                                 |
| 15  | 1   | 1826170     | RYGGDYNA SKAI 360x620-670 |                                 |
| 15  | 1   | 1826171     | RYGGDYNA SKAI 410x620-670 |                                 |
| 15  | 1   | 1826172     | RYGGDYNA SKAI 460x620-670 |                                 |
| 15  | 1   | 1826173     | RYGGDYNA MESH SVART       |                                 |
| 15  | 1   | 1826174     | RYGGDYNA MESH SVART       |                                 |
| 15  | 1   | 1826175     | RYGGDYNA MESH SVART       |                                 |
| 15  | 1   | 1826176     | RYGGDYNA MESH SVART       |                                 |
| 15  | 1   | 1826177     | RYGGDYNA MESH SVART       |                                 |
| 15  | 1   | 1826178     | RYGGDYNA MESH SVART       |                                 |
| 15  | 1   | 1826179     | RYGGDYNA MESH SVART       |                                 |
| 15  | 1   | 1826180     | RYGGDYNA MESH SVART       |                                 |
| 15  | 1   | 1826181     | RYGGDYNA MESH SVART       |                                 |
| 15  | 1   | 1826200     | RYGGDYNA SKAI 360x480     |                                 |
| 15  | 1   | 1828722     | RYGGDYNA MESH SVART 3G    |                                 |
| 15  | 1   | 1828723     | RYGGDYNA MESH SVART3G     |                                 |
| 15  | 1   | 1828724     | RYGGDYNA SKAI SVART3G     |                                 |
| 15  | 1   | 1828725     | RYGGDYNA SKAI SVART 3G    |                                 |
| 15  | 1   | 1828726     | RYGGDYNA MESH SVART 3G    |                                 |
| 15  | 1   | 1828727     | RYGGDYNA SKAI SVART 3G    |                                 |
| 16  | 1   | 1826130     | SVANKSTÖD C 3G            |                                 |
| 17  | 1   | 1829922     | ÖVERDRAG DYNA ERGO AIR    |                                 |
| 17  | 1   | 1829923     | ÖVERDRAG DYNA ERGO AIR    |                                 |

| Pos | Qty | Stock Code | Description             | Remark |
|-----|-----|------------|-------------------------|--------|
| 17  | 1   | 1829924    | ÖVERDRAG DYNA ERGO AIR  |        |
| 17  | 1   | 1829925    | ÖVERDRAG DYNA ERGO AIR  |        |
| 17  | 1   | 1829926    | ÖVERDRAG DYNA ERGO AIR  |        |
| 17  | 1   | 1829927    | ÖVERDRAG DYNA ERGO AIR  |        |
| 17  | 1   | 1829928    | ÖVERDRAG DYNA ERGO AIR  |        |
| 17  | 1   | 1829929    | ÖVERDRAG DYNA ERGO AIR  |        |
| 17  | 1   | 1829930    | ÖVERDRAG DYNA ERGO AIR  |        |
| 18  | 1   | 1831204    | INKONTINESSKYDD 420x420 |        |
| 18  | 1   | 1831205    | INKONTINESSKYDD 420x470 |        |
| 18  | 1   | 1831206    | INKONTINESSKYDD 420x520 |        |
| 18  | 1   | 1831207    | INKONTINESSKYDD 470x420 |        |
| 18  | 1   | 1831208    | INKONTINESSKYDD 470x470 |        |
| 18  | 1   | 1831209    | INKONTINESSKYDD 470x520 |        |
| 18  | 1   | 1831210    | INKONTINESSKYDD 470x570 |        |
| 18  | 1   | 1831211    | INKONTINESSKYDD 470x620 |        |
| 18  | 1   | 1831220    | INKONTINESSKYDD 520x420 |        |
| 18  | 1   | 1831221    | INKONTINESSKYDD 520x470 |        |
| 18  | 1   | 1831222    | INKONTINESSKYDD 520x520 |        |
| 18  | 1   | 1831223    | INKONTINESSKYDD 520x570 |        |
| 18  | 1   | 1831224    | INKONTINESSKYDD 520x620 |        |
| 18  | 1   | 1831225    | INKONTINESSKYDD 570x470 |        |
| 18  | 1   | 1831226    | INKONTINESSKYDD 570x520 |        |
| 18  | 1   | 1831227    | INKONTINESSKYDD 570x570 |        |
| 18  | 1   | 1831233    | INKONTINESSKYDD 570x620 |        |



| Pos | Qty | Stock Code | Description               | Remark                    |
|-----|-----|------------|---------------------------|---------------------------|
| 1   | 1   | 1822389    | M.PANEL R-NET JSM-L-SW    |                           |
| 1   | 1   | 1822390    | M.PANEL VIPPARM R-NET JSM |                           |
| 2   | 1   | 1821526    | KABL ÖVRE 2,5M R-NET      |                           |
| 2   | 1   | 1821538    | KABL BUSS R-NET 0,5 M     |                           |
| 2   | 1   | 1824291    | KABL BUSS R-NET 1500mm    |                           |
| 2   | 1   |            | 1m                        |                           |
| 2   | 1   | 1828192    | KABL BUS R-NET 1000mm     |                           |
| 3   | 1   | 1821537    | ANSL.BOX 4 UTTAG R-NET    |                           |
| 4   | 1   | 1826307    | KABL BUSS R-NET 600mm     | 24 inches                 |
| 5   | 1   | 1824291    | KABL BUSS R-NET 1500mm    |                           |
| 6   | 1   | 1823293    | KNAPPLÅDA ICS KNAPPAR     |                           |
| 7   | 1   | 1822329    | DEKALSATS KNAPPLÅDA ICS   |                           |
| 8   | 1   | 1825769    | KABL FÖRLÄNGNING 1300 mm  |                           |
| 9   | 1   | 1821304    | KOPPLINGSBOX ICS          |                           |
| 10  | 1   | 1825540    | KABL FÖRL. ICS 600 mm     |                           |
| 11  | 1   | 1821531    | KABL ICS BUS 1500mm       |                           |
| 11  | 1   | 1821899    | KABL. FÖRL. ICS 1000MM    |                           |
| 12  | 1   | 1825539    | KABL FÖRL. ICS 1100 mm    |                           |
| 13  | 1   | 1821533    | KABL BUSS FÖRLÄNGN 0,5M   |                           |
| 14  | 1   | 1825547    | KABL RA-BENSTÖD           |                           |
| 15  | 1   | 1825546    | GENERALMODUL ICS BENSTÖD  |                           |
| 16  | 1   | 1828553    | KABLAGE EL BEN SPIRAL     |                           |
| 17  | 1   | 1823297    | JOYSTGREPP P+,VSI,VR2     |                           |
| 18  | 1   | 1826509    | KNAPPAR FRÄMRE JSM R-NET  | For control panel 1822389 |
| 18  | 1   | 1826509    | KNAPPAR FRÄMRE JSM R-NET  |                           |
| 19  | 1   | 1826510    | KNAPPAR BAKRE JSM R-NET   | For control panel 1822389 |
| 22  | 1   | 1821527    | KABL KN.LÅDA ICS 1,4M     |                           |
| 23  | 1   | 1823850    | KNAPPLÅDSLOCK KNAPPAR ICS |                           |
| 24  | 1   | 1823851    | KNAPPLÅDSLOCK PADDEL ICS  |                           |
| 25  | 1   | 1823294    | KNAPPLÅDA ICS PADDL       |                           |

# Spare Parts Catalog

## CONTACT PERMOBIL:

**Permobil AB**

Box 120

861 23 Timrå

Sverige

Tel: 060-59 59 00

Fax: 060-57 52 50

E-post: [info@permobil.se](mailto:info@permobil.se)

**Permobil Inc. USA**

300 Duke Drive

Lebanon, TN 37090

USA

Phone: 800-736-0925

Fax: 800-231-3256

Email: [info@permobilusa.com](mailto:info@permobilusa.com)

**Permobil AS**

Industriveien 16

Postboks 60

1483 Hagan Norge

Tlf. 815 30 077

Fax. 815 33 655

E-post: [firmapost@permobil.no](mailto:firmapost@permobil.no)

**Permobil Benelux BV**

De Beitel 11

6466 GZ Kerkrade

Nederland

Tel: +31 (0)45 564 54 80

Fax: +31 (0)45 564 54 81

Email: [info@permobil.nl](mailto:info@permobil.nl)



When you order spare parts, the following must always be specified:

- The product model (for example, power wheelchair C300).
- The description of the part.  
- always use the description used in this catalog.
- The entire part number.
- The quantity.

**NB!** In some cases, parts appear in the spare part catalog without a part number. This means that the part cannot be ordered from Permobil. We have, however, chosen to describe it for your information. Standard components such as screws, nuts, washers and similar parts can be purchased in an ordinary shop using the information in this catalog.

## Description of Positioning list

The positioning list consist of:

**A** = Indicates the sparepart-group covered by the catalog.

**B** = Indicates part of the sparepart-group.

**C** = Under C there are five columns:

- 1** = Pos.no: Position number
- 2** = Pcs: Total number of given pos-no.
- 3** = Part no.: Part number
- 4** = Description: Article name
- 5** = Remark: Reserved for additional information such as reservations, restrictions etc.



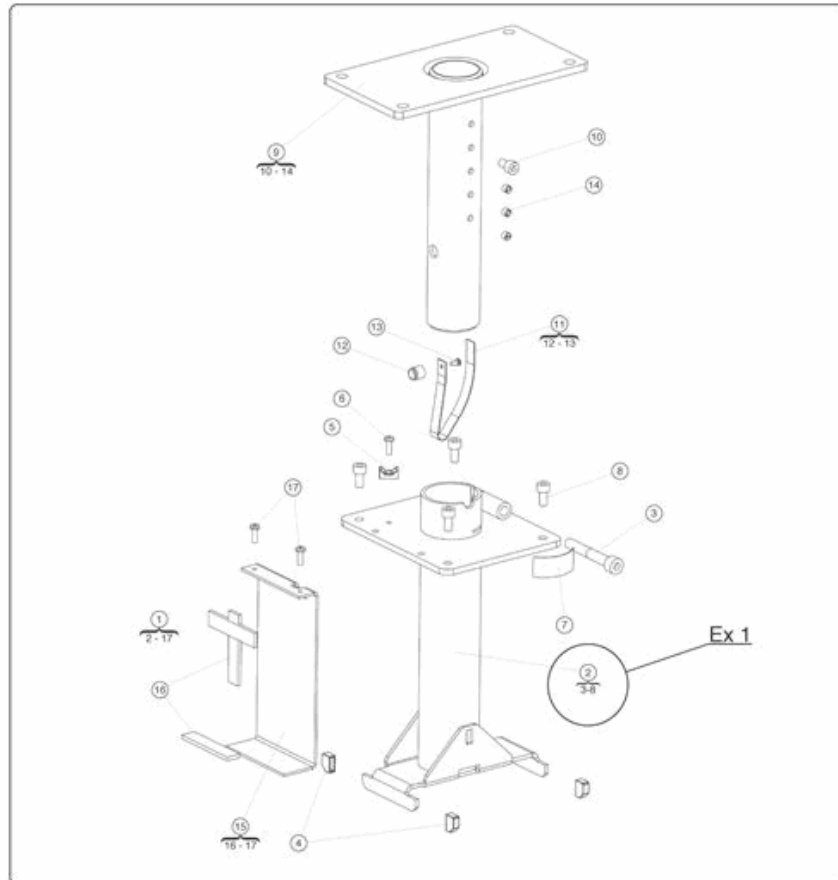
| 1        | 2        | 3              | 4                        | 5                            |
|----------|----------|----------------|--------------------------|------------------------------|
| Pos no.  | Pcs      | Part no.       | Description              | Benämning                    |
| 1        | 1        | 1820446        | Seat Tube                | Sitsrör fast                 |
| 1        | 1        | 1820418        | Seat Tube for tilt       | Sitsrör fast för sitslutning |
| <b>2</b> | <b>1</b> |                | <b>Outer tube</b>        | <b>Ytterrör</b>              |
| 3        | 1        |                | Screw ISO 4762 M8x55 fzb | Skruv ISO 4762 M8x55 fzb     |
| <b>4</b> | <b>4</b> | <b>1820421</b> | <b>Cap</b>               | <b>Hätta</b>                 |
| 5        | 1        |                | Cable Tie Holder 10x15   | Buntbandsfäste 10x15         |
| 6        | 1        |                | Screw ISO 7380 M4x6 fzb  | Skruv ISO 7380 M4x6 fzb      |
| 7        | 1        |                | Nut DIN 985 M4 fzb       | Mutter DIN 985 M4 fzb        |
| 8        | 4        |                | Screw ISO 4762 M6x10 fzb | Skruv ISO 4762 M6x10 fzb     |
| 9        | 1        | 1820422        | Inner tube               | Innerrör                     |
| 9        | 1        | 1820419        | Inner tube for tilt      | Innerrör för tilt            |
| 10       | 1        |                | Screw ISO 4762 M6x10 fzb | Skruv ISO 4762 M6x10 fzb     |
| 11       | 1        |                | Bracket                  | Fjäder                       |
| 12       | 1        |                | Stop                     | Stång                        |
| 13       | 1        |                | Screw ISO 7380 M3x6 fzb  | Skruv ISO 7380 M3x6 fzb      |
| 14       | 1        |                | SLS Bracket              | SLS fäste                    |
|          |          |                |                          | Remark/Anm.                  |

**Part**

A part consists of one or more parts. If a part consists of several parts, a bracket in connection with the part's item bubble is used to show the parts included in the part in the exploded views. See example 1.

**Quantity**

The quantity specified in front of a part is the total quantity for the entire product.

**Example 1:**

The fixed seat tube, pos 2, includes pos 3 to 8, that are indicated in the bracket below (see above).

**Example 2:**

If a outer tube, pos 2, is ordered, the quantity is 1. In other words, there is just one outer tube on the chassis. However, if you look at the number of parts included, the quantity may vary. For example, in pos 4, the complete outer tube comprises 4 parts.





**permobil**  
THE POWER OF MOBILITY