

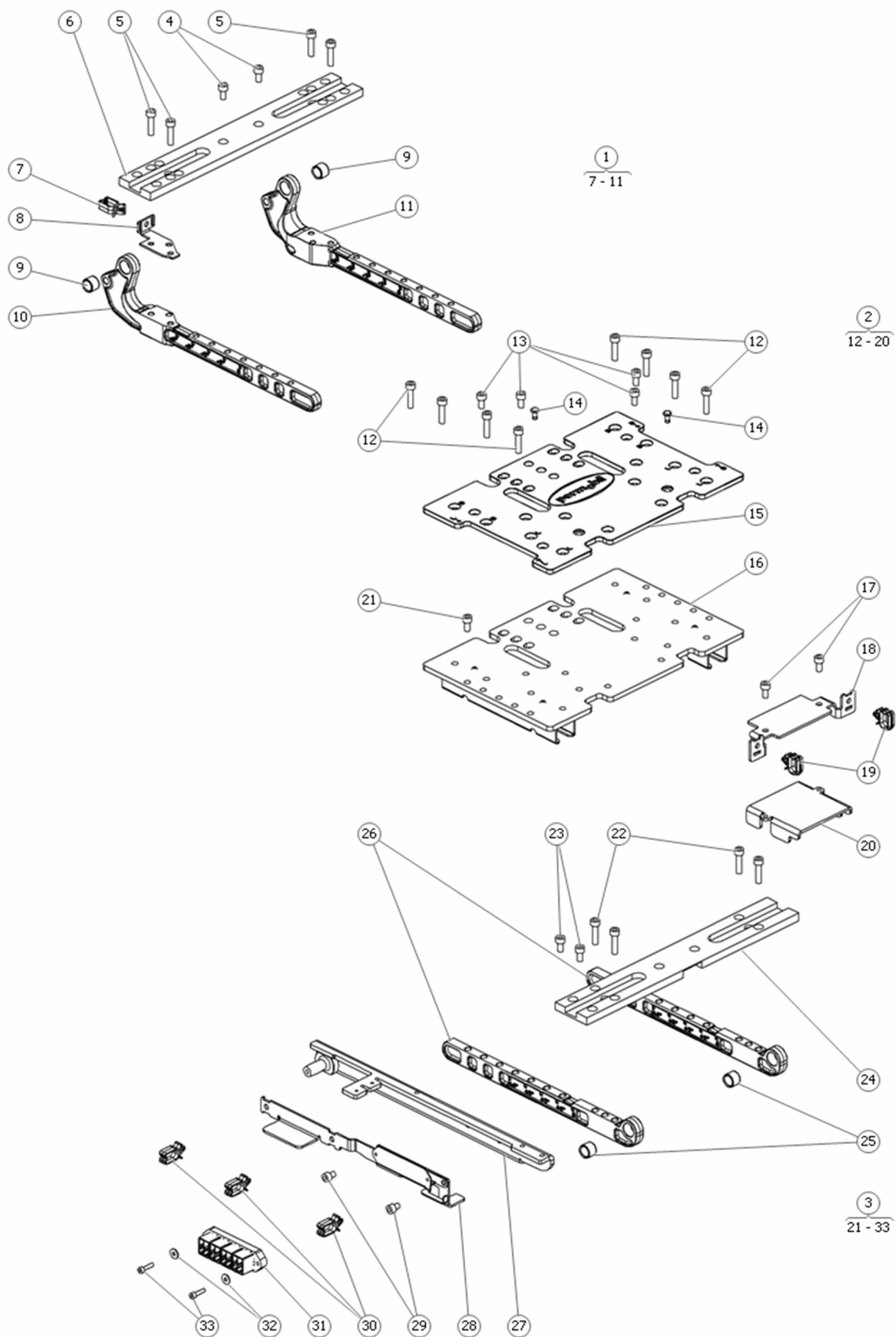
C3G Lowrider

Seating system for Permobil power wheelchairs

Produced and published by Permobil AB, Sweden
Edition no. 1, 2014-01
PAB: **1287:1**

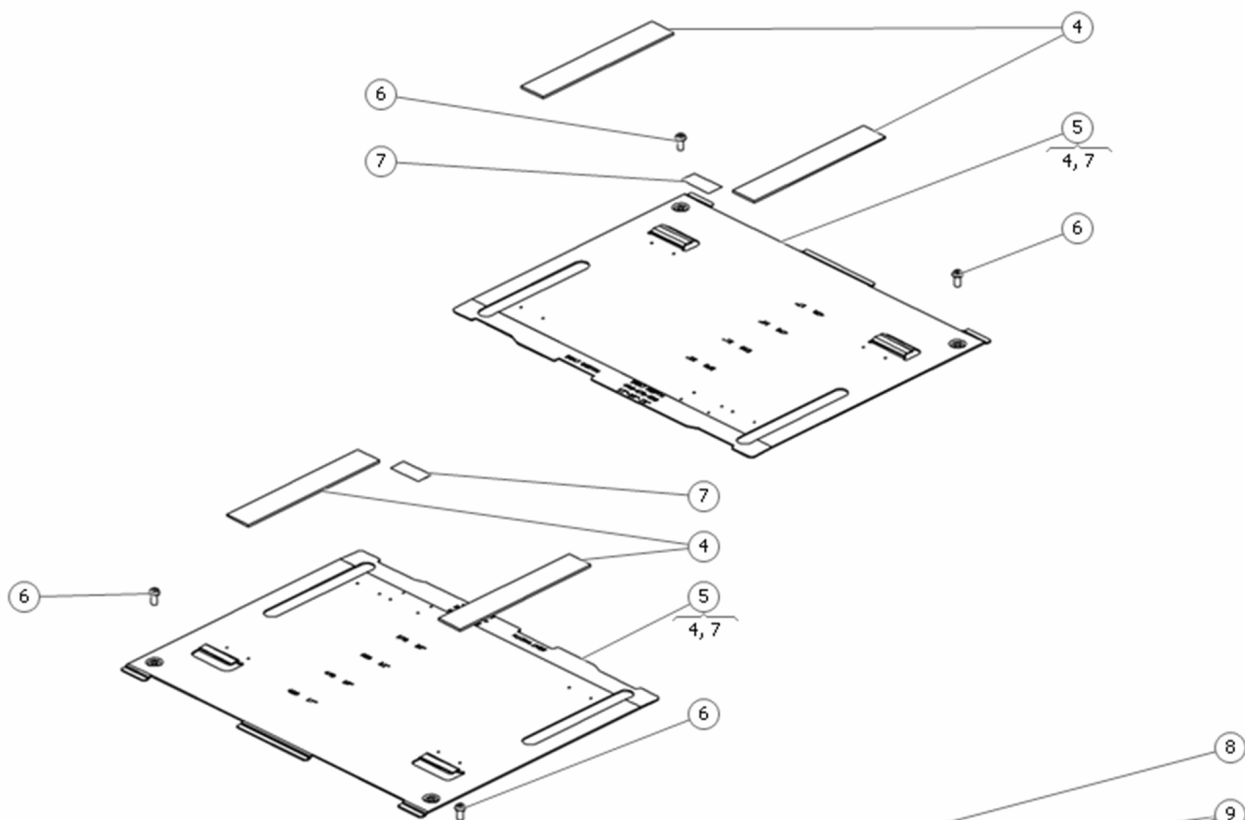
Contents

Seat frame
Seat widening
Backrest hinge
Backrest, slide and fixed
Backrest plates
Backrest recline options
Armrest left
Armrest right
Panel holders
Panel holder PLG
Without legrest.....
Legrest
Footplates
Legrest angle adjust
Legrest power transfer, RA.....
Legrest, power adjustable length. Upper part.....
Legrest, power adjustable length. Lower part.....
Seat tilt 30°
Adapter plates
Cushions and supports
Electronics
Ordering information.....
Contact information

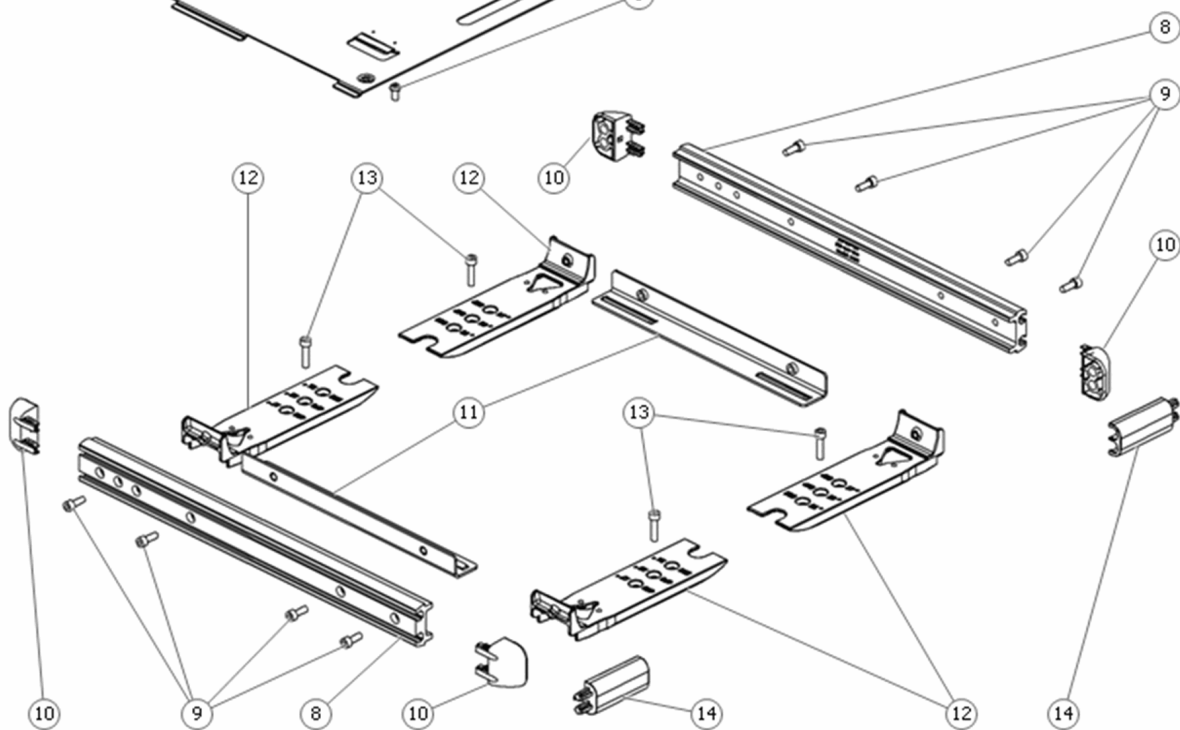


Pos	Qty	Stock Code	Description	Remark
1	1	1828613	BACKREST FRAME HINGE	
2	1	1825584	BRACKET	
3	1	1830158	SEAT FRAME	
4	1	600192-99-0	BOLT MC6S 6x12 fzb *	
5	1	600195-99-0	BOLT MC6S 6x25 fzb *	
6	1	319736	BAR	
7	1	602510-00-0	CABLE HOLD HCMP06 B12-20 *	
8	1	320756	BRACKET	
9	1	1825542	SLIDE BEARING	
10	1	320745	BRACKET	
11	1	320743	BRACKET	
12	1	600195-99-0	BOLT MC6S 6x25 fzb *	
13	1	600192-99-0	BOLT MC6S 6x12 fzb *	
14	1	613759	BLIND RIVET	
15	1	318650	PLATE	
16	1	000000	NOTAVAILABLE	
17	1	600192-99-0	BOLT MC6S 6x12 fzb *	
18	1	319124	BRACKET	
19	1	612953-00-0	CABLE CLIP 20x10x28 M6	
20	1	318953	PLATE	
21	1	600192-99-0	BOLT MC6S 6x12 fzb *	
22	1	600195-99-0	BOLT MC6S 6x25 fzb *	
23	1	600192-99-0	BOLT MC6S 6x12 fzb *	
24	1	320427	BAR	
25	1	1825542	SLIDE BEARING	
26	1	1825534	BRACKET	
27	1	1825592	BRACKET	
28	1	322221	BRACKET	
29	1	601359-99-0	BOLT MC6S 6x 8 fzb *	
30	1	602510-00-0	CABLE HOLD HCMP06 B12-20 *	
31	1	1821304	JUNCTION BOX	
32	1	600829-99-0	WASH BRB 4.3x12x 1 fzb DIN 9021 B	
33	1	600272-99-0	BOLT MC6S 4x16 fzb *	

①
4 - 11

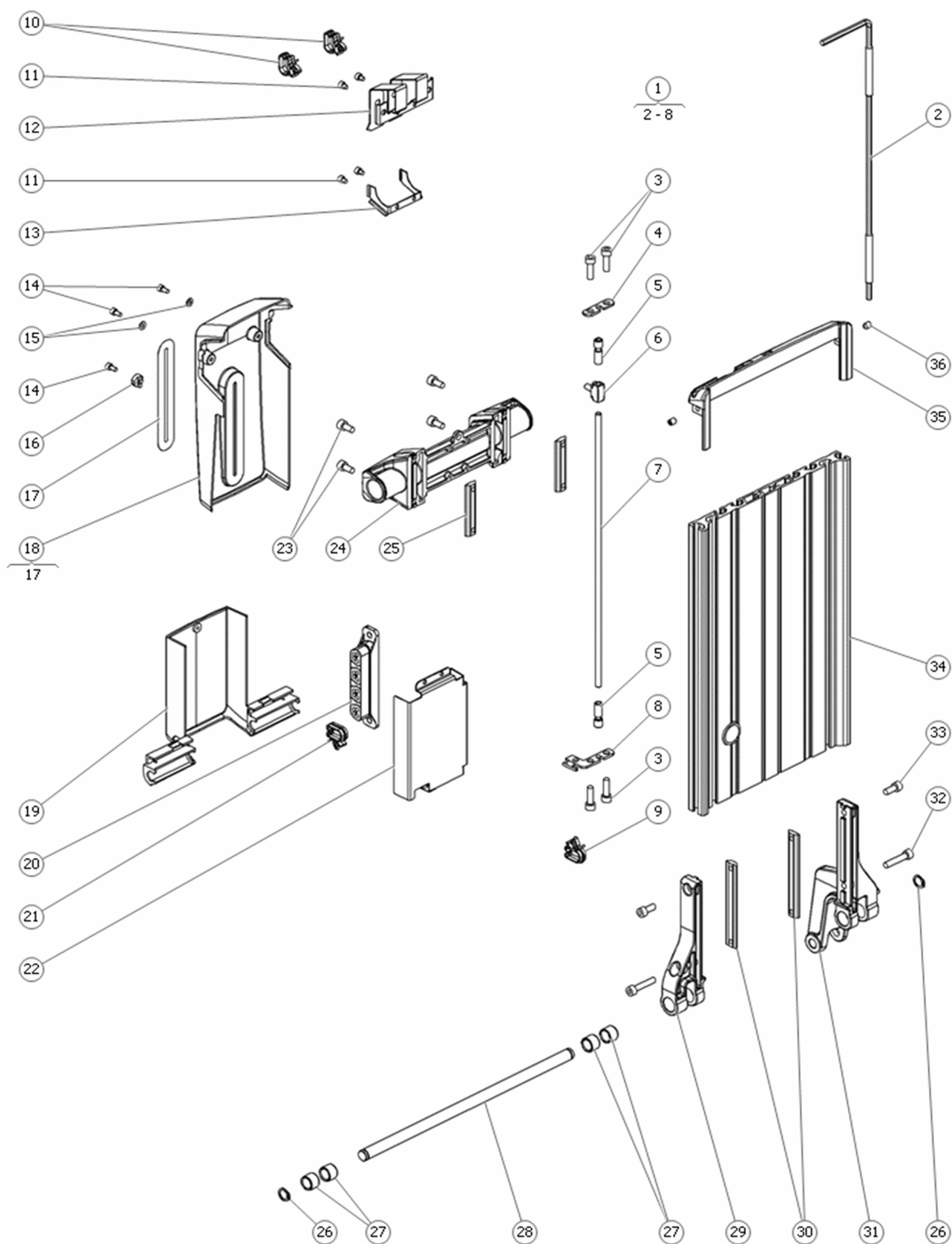


②
12, 13

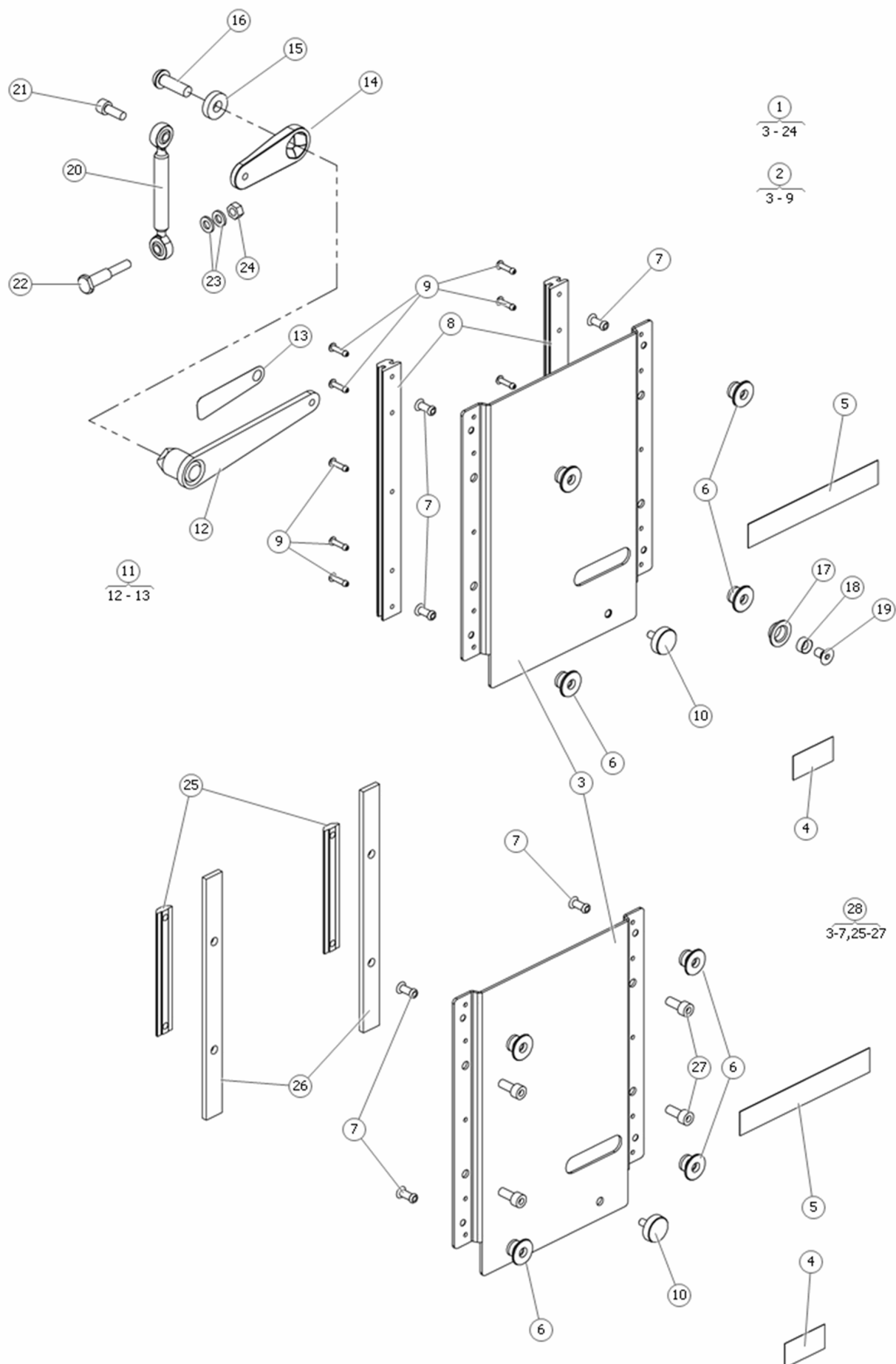


③
10, 14

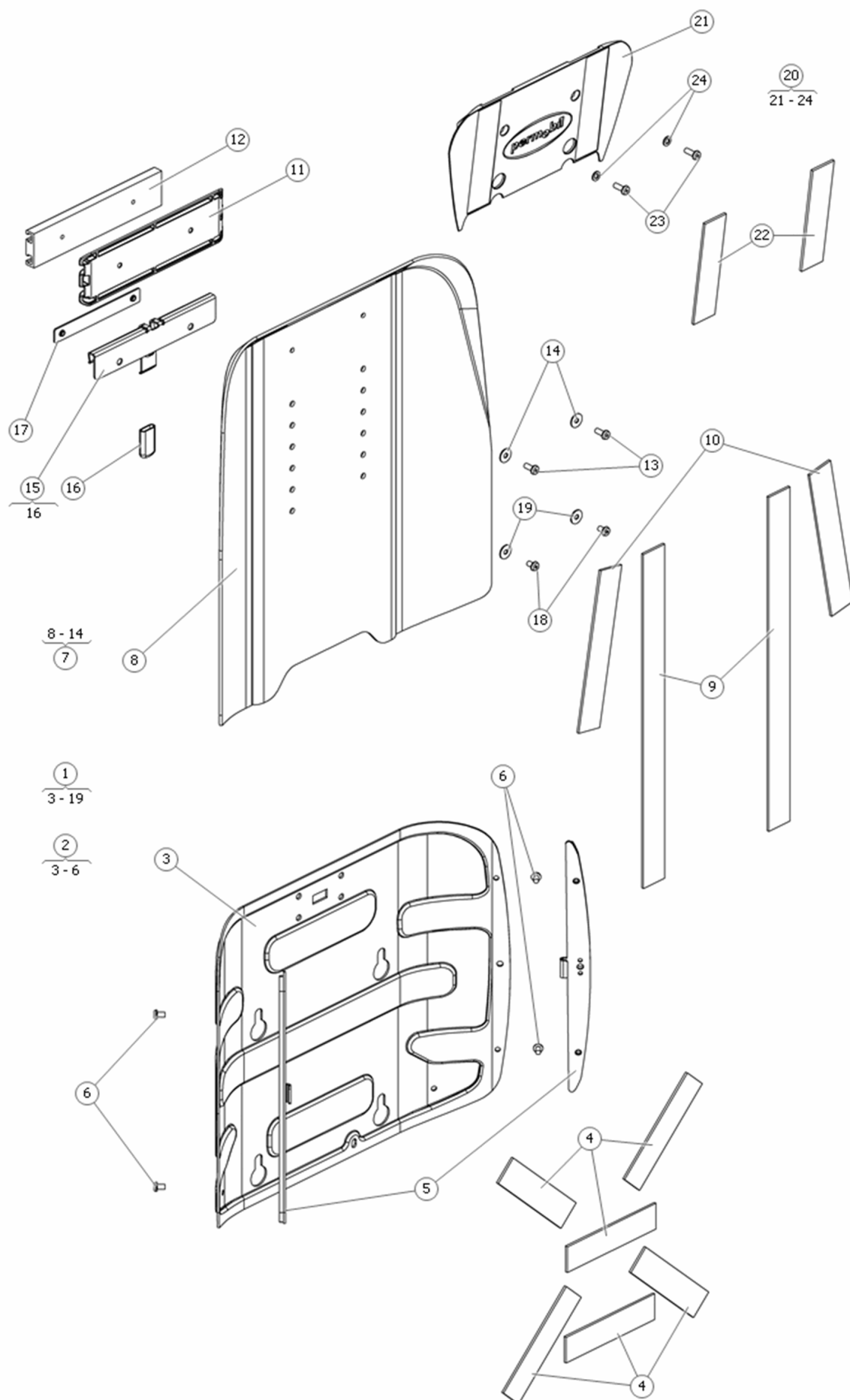
Pos	Qty	Stock Code	Description	Remark
1	1	1830190	SEAT FRAME	Depth: 14-15-16"/370-395-420 mm
1	1	1830192	SEAT FRAME	Depth: 17-16-19"/445-470-495 mm
1	1	1830193	SEAT FRAME	Depth: 20-21-22"/520-545-570 mm
2	1	322099	SEAT FRAME	
2	1	322157	SEAT FRAME	
3	1	1826126	PLASTIC PLUG	Incl. 4 pcs pos 10 and 2 pcs pos 14 (both long and s...
4	1	320129	VELCRO TAPE	
5	1	1829057	SEATPLATE	Depth: 14-15-16"/370-395-420 mm
5	1	1829058	SEAT PLATE	Depth: 17-16-19"/445-470-495 mm
5	1	1829059	SEAT PLATE	Depth: 20-21-22"/520-545-570 mm
6	1	601422-99-0	BOLT K6S 6x12 fzb *	
7	1	1829017	STICKER	
8	1	1829060	BRACKET	UniTrack 14-15-16"/370-395-420 mm
8	1	1829061	BRACKET	UniTrack 17-16-19"/445-470-495 mm
8	1	1829062	BRACKET	UniTrack 20-21-22"/520-545-570 mm
9	1	600743-99-0	BOLT MC6S 6x16 fzb *	
10	1	1827491	PLASTIC PLUG	
11	1	322211	SUPPORT	
11	1	322212	SUPPORT	
11	1	322213	SUPPORT	
12	1	1830157	BRACKET	Marked: 19-21-23"/470-520-570 mm
12	1	1830158	BRACKET	Marked: 17-19-21"/420-470-520 mm
13	1	600195-99-0	BOLT MC6S 6x25 fzb *	
14	1	319197	COVER	Covers 72 mm
14	1	320231	COVER	Covers 97 mm



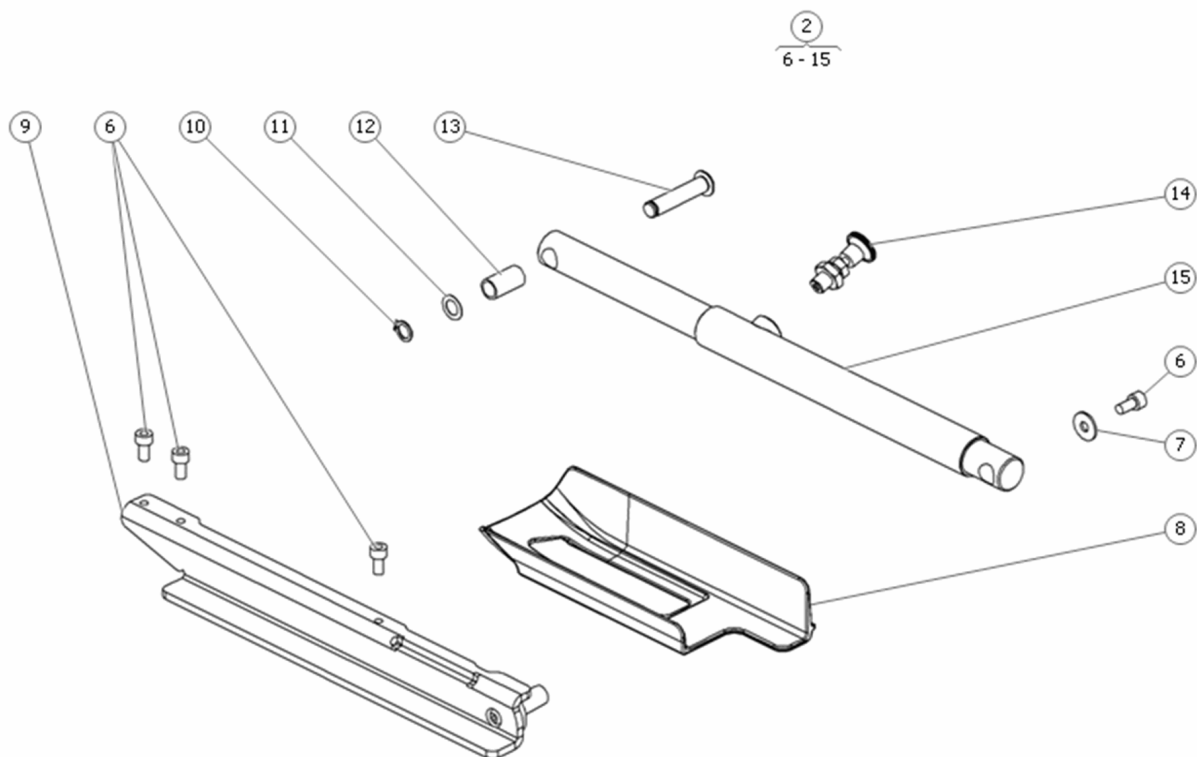
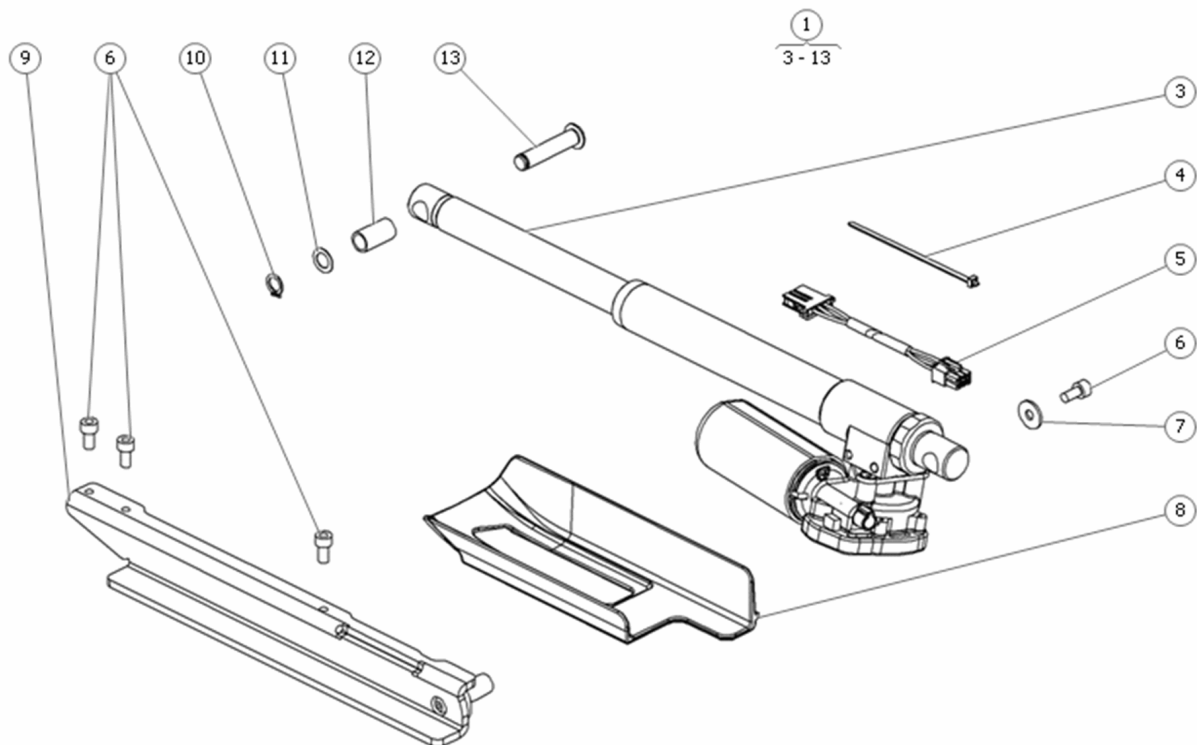
Pos	Qty	Stock Code	Description	Remark
1	1	1825463	SCREW ARMREST SPARE PART	
2	1	1826120	KEY	
3	1	600194-99-0	BOLT MC6S 6x20 fzb	
4	1	319085	PLATE	
5	1	319083	SOCKET	
6	1	319087	SLIDE BAR	
7	1	319092	BAR	
8	1	319435	PLATE	
9	1	612953-00-0	CABLE CLIP 20x10x28 M6	
10	1	612953-00-0	CABLE CLIP 20x10x28 M6	
11	1	601282-99-0	BOLT MC6S 4x5 fzb ISO 7262 Fe/Zn	
12	1	319226	PLATE	
13	1	321259	HOLDER	
14	1	600182-99-0	BOLT MC6S 4x 8 fzb	
15	1	601296-99-0	WASH BRB 4.3x 9x0.8 fzb STD	
16	1	1826119	PLASTIC KNOB	
17	1	319931	STICKER	
18	1	1826118	COVER	
19	1	1826117	COVER	
20	1	1821537	CONNECTOR BLOCK	
21	1	612953-00-0	CABLE CLIP 20x10x28 M6	
22	1	1828904	PLATE	
23	1	600192-99-0	BOLT MC6S 6x12 fzb *	
24	1	1828546	HINGE	
25	1	1825465	NUT	
26	1	601225-99-0	CIRCLIP SgA 12 DIN471 *	
27	1	1825542	SLIDE BEARING	
28	1	1825587	BAR	
29	1	1825588	HINGE	
30	1	1825464	NUT	
31	1	1825549	SLEWING BRACKET	
32	1	600196-99-0	BOLT MC6S 6x30 fzb *	
33	1	600193-99-0	BOLT MC6S 6x14 fzb *	
34	1	1828207	PROFILE	
35	1	1825582	COVER	
36	1	1825583	HEXAGON SOCKET SET SCREW	



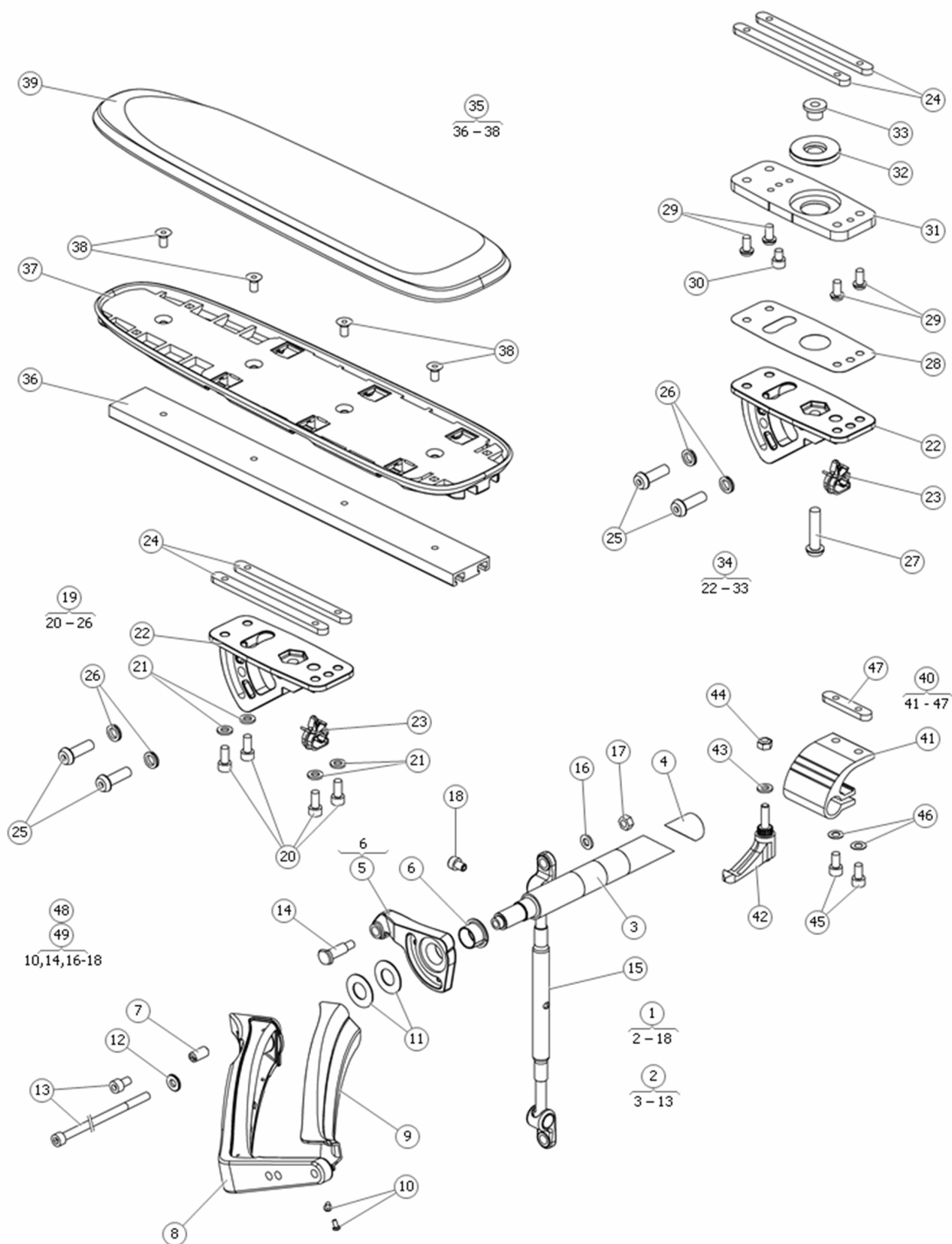
Pos	Qty	Stock Code	Description	Remark
1	1	1825618	Backrest slide kit	
2	1	1826110	Bracket	
3	1	318536	Plate	
4	1	320243	Velcro tape loop W=20 L=40	
5	1	320241	Velcro tape loop W=20 L=130	
6	1	319035	Bracket	
7	1	613769	Blind rivet Ø5,0x16 St/St (9,5-11)	
8	1	319144	Slide bar	
9	1	613768	Blind rivet Ø3,2x16 A2-Stainless St (10,5-12,5)	
10	1	602391-99-0	STAR HANDLE 71-020 M5x12 BATT.BOX	
11	1	1827693	ARM BACK SLIDE	
12	1	318573	Angle link	
13	1	319167	Tape teflon	
14	1	1825611	Arm	
15	1	1827694	Washer Ø8,5x20x5	
16	1	1828843	Screw ISO 7380 M8x25 Fe/Zn Locking coat	
16	1	602165-99-0	BOLT K6S 8x 25 FZB	
17	1	1825613	Bush	
18	1	1827695	SOCKET SLIDING BACK	
19	1	601265-99-0	Screw ISO 10642 M6x10 10.9 Fe/Zn	
20	1	1825610	Linkrod	
21	1	600743-99-0	BOLT MC6S 6x16 fzb *	
22	1	1825614	Link bolt	
23	1	600238-99-0	WASH BRB ISO 7089 6.4x12x1.6 fzb STD	
24	1	600227-99-0	LOCK NUT M6 FZB *	
25	1	1825464	Slot nut 90mm	
26	1	320260	Spacer wash	
27	1	600193-99-0	Screw ISO 4762 M6x14 Fe/Zn	
28	1	1826445	Backrest fixed kit	



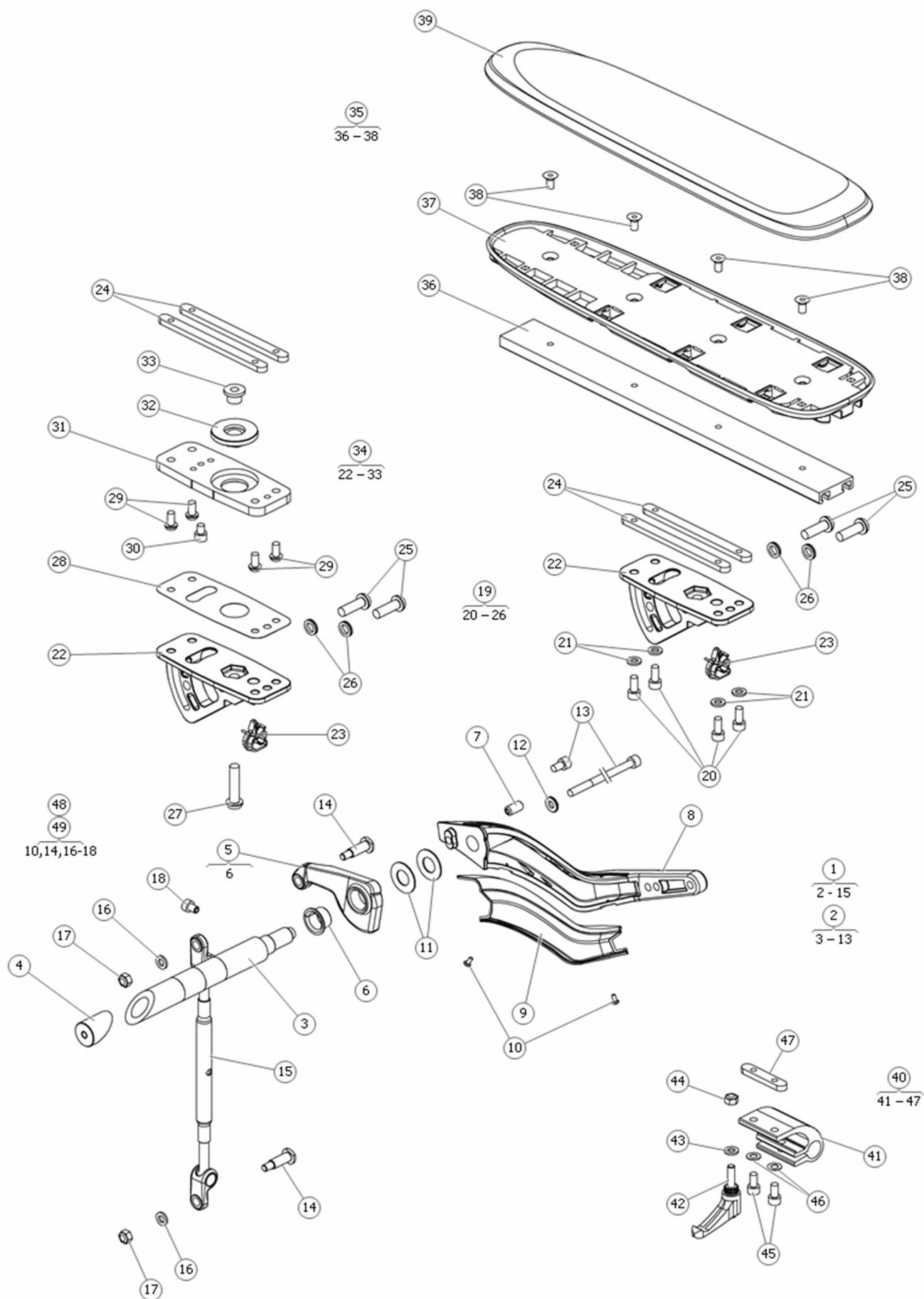
Pos	Qty	Stock Code	Description	Remark
1	1	1827159	Backrest plate kit W=360, H=adjustable	
1	1	1827160	Backrest plate kit W=410, H=adjustable	
1	1	1827162	Backrest plate kit W=460, H=adjustable	
1	1	1828741	Backrest plate kit W=510, H=adjustable	
2	1	1826374	Backrest lower plate kit W=360mm.	
2	1	1826376	Backrest lower plate kit W=4100mm.	
2	1	1826378	Backrest lower plate kit W=460mm.	
2	1	1828742	Backrest lower plate kit W=510mm.	
3	1	319437	Backrest plate lower W=360mm	
3	1	319438	Backrest plate lower W=410mm	
3	1	319439	Backrest plate lower W=460mm	
3	1	320894	Backrest plate lower W=510mm	
4	1	319848	Velcro tape Hook W=30 L=125	
5	1	1827696	Bracket	
6	1	600189-99-0	BOLT MC6S 5x10 fzb *	
7	1	1826375	Backrest upper plate kit W=360mm	
7	1	1826377	Backrest upper plate kit W=410mm	
7	1	1826379	Backrest upper plate kit W=460mm	
7	1	1828743	Backrest upper plate kit W=510mm	
8	1	319423	Backrest upper plate W=360mm	
8	1	319424	Backrest upper plate W=410mm	
8	1	319425	Backrest upper plate W=460mm	
8	1	320892	Backrest upper plate W=510mm	
9	1	319849	Velcro tape Hook W=30 L=390	
10	1	320129	Velcro tape L=182 Hook	
11	1	1827697	Holder	
12	1	1827698	Plate	
13	1	601170-99-0	Screw ISO 7380 M5x16 fzb *	
14	1	612857-99-0	Washer ISO 7093-1 Fe/Zn 5.3x15x1	
15	1	1826111	Backrest release	
16	1	601823-00-0	PLAST KNOB RECT 4x16x30 LEVER BRAKE RELEASE	
17	1	1826381	Nut plate	
18	1	600740-99-0	BOLT K6S 5x 8 fzb *	
19	1	612857-99-0	Washer ISO 7093-1 Fe/Zn 5.3x15x1	
20	1	1827051	Wedge backrest W=360mm	
20	1	1827052	Wedge backrest W=410mm	
20	1	1827053	Wedge backrest W=460mm	
20	1	1828744	Wedge backrest W=510mm	
21	1	320115	Wedge W=410	
21	1	320119	Wedge W=360	
21	1	320229	Wedge W=460	
21	1	320917	Wedge W=510	
22	1	319848	Velcro tape Hook W=30 L=125	
23	1	601707-99-0	BOLT K6S 5x20 fzb	
24	1	600237-99-0	Washer	



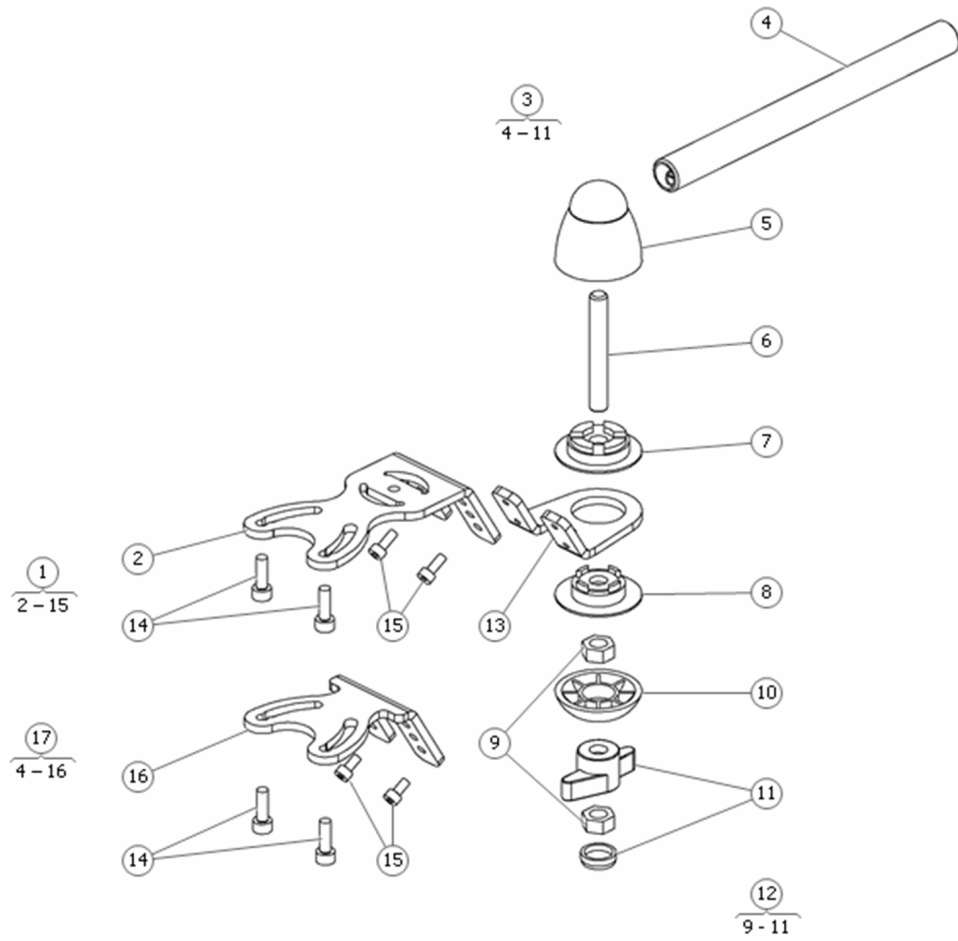
Pos	Qty	Stock Code	Description	Remark
1	1	1830194	POWER CONTROL	
2	1	1830197	MAN. CONTROL	
3	1	614223	ACTUATOR BACKREST C3G LR	
4	1	602472	CABLE TIE, 3,5x150 UV-RESISTANT	
5	1	1830246	CABLE	
6	1	600192-99-0	BOLT MC6S 6x12 fzb *	
7	1	612675-99-0	WASHER, ISO 7093-1 6,4x18x1,6 fzb	
8	1	322515	PINCH GUARD	
9	1	322015	BRACKET	
10	1	600271-99-0	CIRCLIP SGA 10 *	
11	1	602821	SHIM WASHER	
12	1	322625	SPACER	
13	1	322445	PIN	
14	1	602328-00-0	ADJ BOLT GN617 AK5	
15	1	322332	TUBE	



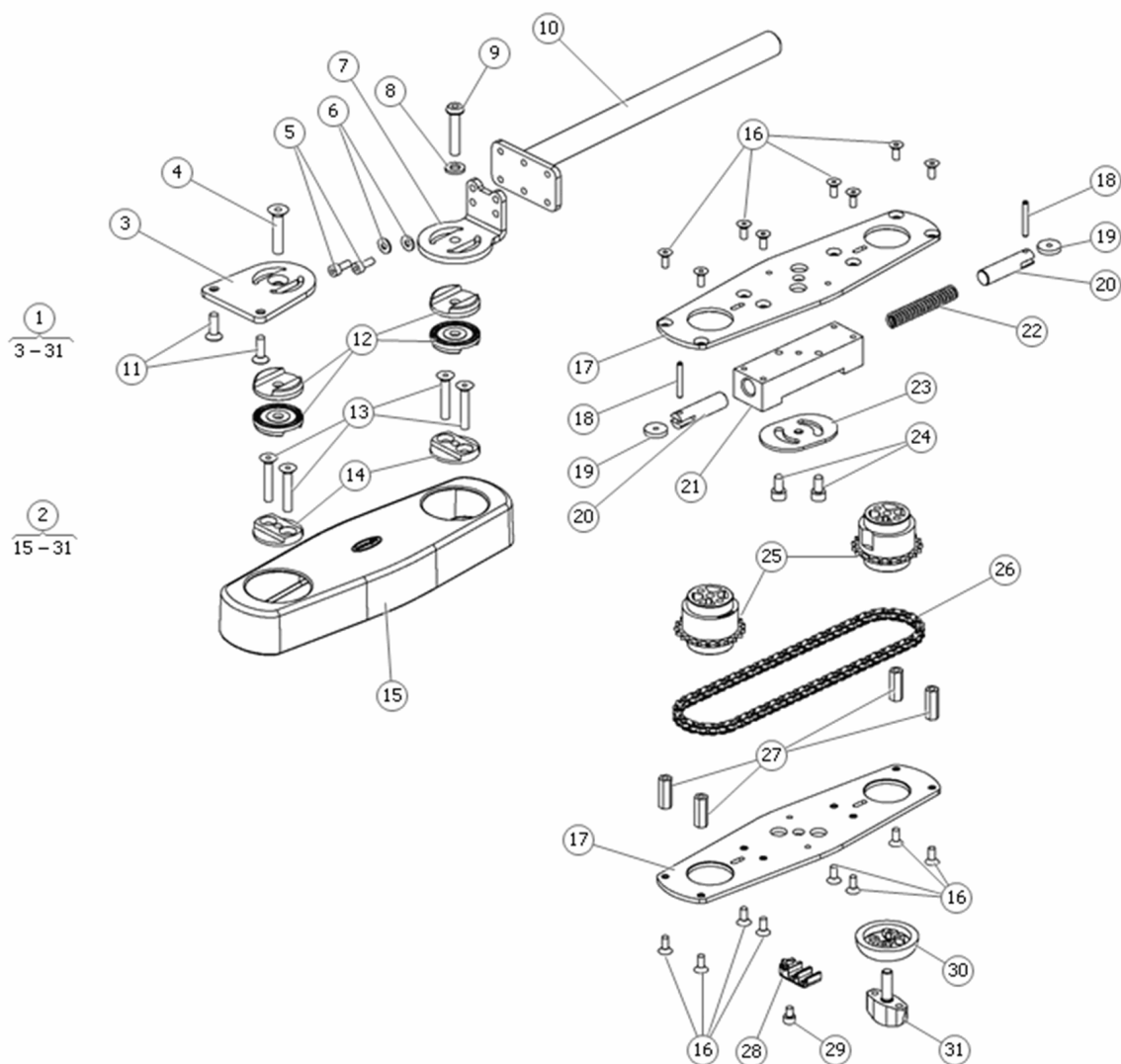
Pos	Qty	Stock Code	Description	Remark
1	1	1825596	Arm Right kit std	
1	1	1825598	Arm Right kit wide	
2	1	1825600	Arm Right std.	
2	1	1825602	Arm right wide	
3	1	321387	Shaft Wide	
3	1	321982	Shaft Std	
4	1	321388	Wedge nut	
5	1	321936	Arm	
6	1	602513	Bearing	
7	1	613754	Spring plunger GN 615-M8-KSN	
8	1	319118	Arm Right	
9	1	1826203	Cover Right	
10	1	602065-99-0	Screw ISO 7045 M3x6 4.8 Z Fe/Zn	
11	1	600700-99-0	CUP SPRING 28x14.2x1 *	
12	1	319149	Washer slide	
13	1	600888-99-0	BOLT MC6S 6x10 fzb *	Center screw for old type of armrest
13	1	614237	Screw ISO 4762 M6x150 Fe/Zn	
13	1	614238	Screw ISO 4762 M6x200 Fe/Zn	
14	1	1826395	Shaft	
15	1	1825603	Tie bar Std.	
15	1	1825672	Tie bar for wide armrest	
16	1	600238-99-0	WASH BRB ISO 7089 6.4x12x1.6 fzb STD	
17	1	600227-99-0	LOCK NUT M6 FZB *	
18	1	614239	Screw ISO 4762 M6x6 Fe/Zn	
18	1	614489	Screw ISO 4027 M6x10	Pointed screw, should only be used on the first versi...
19	1	1825593	Bracket one-way adjustable	
20	1	600193-99-0	BOLT MC6S 6x14 fzb *	
21	1	600238-99-0	WASH BRB ISO 7089 6.4x12x1.6 fzb STD	
22	1	319103	Hinge	
23	1	1821422	Cable clip Ømax=12,5mm set of 4pcs.	Set of 4pcs.
24	1	319150	Nut	
25	1	602165-99-0	Screw ISO 7380 M8x25 Fe/Zn	
26	1	612888-99-0	LOCK WASH N-LOCK 8,7x13,5x2,5	
27	1	602373-99-0	SCREW ISO 7380 M8x35 Fe/Zn	
28	1	319110	Gasket	
29	1	601422-99-0	BOLT K6S 6x12 fzb *	
30	1	601359-99-0	BOLT MC6S 6x 8 fzb *	
31	1	319104	Plate	
32	1	319107	Plastic plug	
33	1	319106	Bush	
34	1	1825594	Bracket two-way adjustable	
35	1	1825604	Armrest L=260	
35	1	1825605	Armrest L=360	
35	1	1825606	Armrest L=410	
36	1	319547	Bracket L=260	
36	1	319552	Bracket L=360	
36	1	319554	Bracket L=410mm	
37	1	318786	Armrest L=260	
37	1	318787	Armrest L=360	
37	1	318788	Armrest L=410	
38	1	601788-99-0	BOLT MF6S 6x12 fzb *	
39	1	1826191	Armrest Pad L=260 Skai	
39	1	1826192	Armrest Pad L=360 Skai	
39	1	1826193	Armrest Pad L=410 Skai	
39	1	1826194	Armrest Pad L=260 Mesh Black	
39	1	1826195	Armrest Pad L=360 Mesh Black	
39	1	1826196	Armrest Pad L=410 Mesh Black	
39	1	1826197	Armrest Pad L=260 Mesh Grey	
39	1	1826198	Armrest Pad L=360 Mesh Grey	
39	1	1826199	Armrest Pad L=410 Mesh Grey	
40	1	1828960	Panel holder unitrack	
41	1	319443	Holder	
42	1	1822869	Lock handle M6x20	
42	1	600194-99-0	Screw ISO 4762 M6x20 Fe/Zn	
43	1	600238-99-0	Washer ISO 7089 6,4x12x1,6	
44	1	600227-99-0	Nut DIN 985 M6 Fe/Zn	
45	1	600192-99-0	Screw ISO 4762 M6x12 Fe/Zn	
46	1	612800	Washer DIN137B 6,4x12x0,5 Fe/Zn	
47	1	1824717	Slot nut	
48	1	1828957	BOLT KIT ARMREST WIDE	Only for the first version. Position 14, 16 and 17; 2 p...
49	1	1828958	BOLT KIT ARMREST	Only for the first version. Position 14, 16 and 17; 1 p...



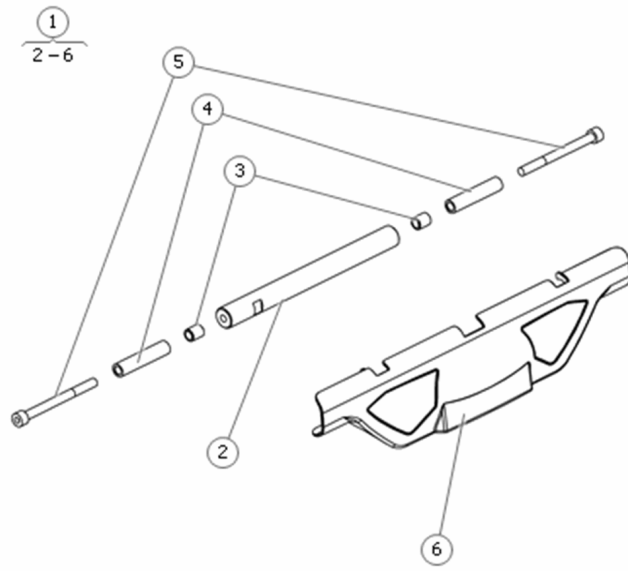
Pos	Qty	Stock Code	Description	Remark
1	1	1825595	Arm Left kit std.	
1	1	1825597	Arm Left kit wide	
2	1	1825599	Arm Left incl.shaft std.	
2	1	1825601	Arm Left incl.shaft wide	
3	1	321387	Shaft Left Wide	
3	1	321982	Shaft Left	
4	1	321388	Wedge nut	
5	1	321935	Arm	
6	1	602513	Bearings	
7	1	613754	Spring plunger GN 615-M8-KSN	
8	1	319119	Arm Left	
9	1	1826204	Cover Left	
10	1	602065-99-0	Screw ISO 7045 M3x6 4.8 Z Fe/Zn	
11	1	600700-99-0	CUP SPRING 28x14.2x1 *	
12	1	319149	Washer slide	
13	1	600888-99-0	BOLT MC6S 6x10 fzb *	Center screw for old type of armrest
13	1	614237	Screw ISO 4762 M6x150 Fe/Zn	
13	1	614238	Screw ISO 4762 M6x200 Fe/Zn	
14	1	1826395	Shaft	
15	1	1825603	Tie bar std.	
15	1	1825672	Tie bar for wide armrest	
16	1	600238-99-0	WASH BRB ISO 7089 6.4x12x1.6 fzb STD	
17	1	600227-99-0	LOCK NUT M6 FZB *	
18	1	614239	Screw ISO 4762 M6x6 Fe/Zn	
18	1	614489	Screw ISO 4027 M6x10	Pointed screw, should only be used on the first versi...
19	1	1825593	Bracket one-way adjustable	
20	1	600193-99-0	BOLT MC6S 6x14 fzb *	
21	1	600238-99-0	WASH BRB ISO 7089 6.4x12x1.6 fzb STD	
22	1	319103	Hinge	
23	1	1821422	Cable clip Ømax=12,5mm set of 4pcs.	Set of 4 pcs.
24	1	319150	Nut	
25	1	602165-99-0	Screw ISO 7380 M8x25 Fe/Zn	
26	1	612888-99-0	LOCK WASH N-LOCK 8,7x13,5x2,5	
27	1	602373-99-0	SCREW ISO 7380 M8x35 Fe/Zn	
28	1	319110	Gasket	
29	1	601422-99-0	BOLT K6S 6x12 fzb *	
30	1	601359-99-0	BOLT MC6S 6x 8 fzb *	
31	1	319104	Plate	
32	1	319107	Plastic plug	
33	1	319106	Bush	
34	1	1825594	Bracket two-way adjustable	
35	1	1825604	Armrest L=260	
35	1	1825605	Armrest L=360	
35	1	1825606	Armrest L=410	
36	1	319547	Bracket L=260	
36	1	319552	Bracket L=360	
36	1	319554	Bracket L=410	
37	1	318786	Armrest L=260	
37	1	318787	Armrest L=360	
37	1	318788	Armrest L=410	
38	1	601788-99-0	BOLT MF6S 6x12 fzb *	
39	1	1826191	PAD	
39	1	1826192	PAD	
39	1	1826193	PAD	
39	1	1826194	PAD	
39	1	1826195	PAD	
39	1	1826196	PAD	
39	1	1826197	PAD	
39	1	1826198	PAD	
39	1	1826199	PAD	
40	1	1825815	Bracket panel holder kit	
41	1	319443	Holder	
42	1	1822869	Lock handle M6x20	
42	1	600194-99-0	Screw ISO 4762 M6x20 Fe/Zn	
43	1	600238-99-0	Washer ISO 7089 6,4x12x1,6 Fe/Zn	
44	1	600227-99-0	Nut DIN 985 M6 Fe/Zn	
45	1	600192-99-0	Screw ISO 4762 M6x12 Fe/Zn	
46	1	612800	Washer DIN 137B 6,4x12x0,5 Fe/Zn	
47	1	1824717	Slot nut	
48	1	1828957	BOLT KIT ARMREST WIDE	Only for the first version. Position 14, 16 and 17; 2 p...
49	1	1828958	BOLT KIT ARMREST	Only for the first version. Position 14, 16 and 17; 1 p...



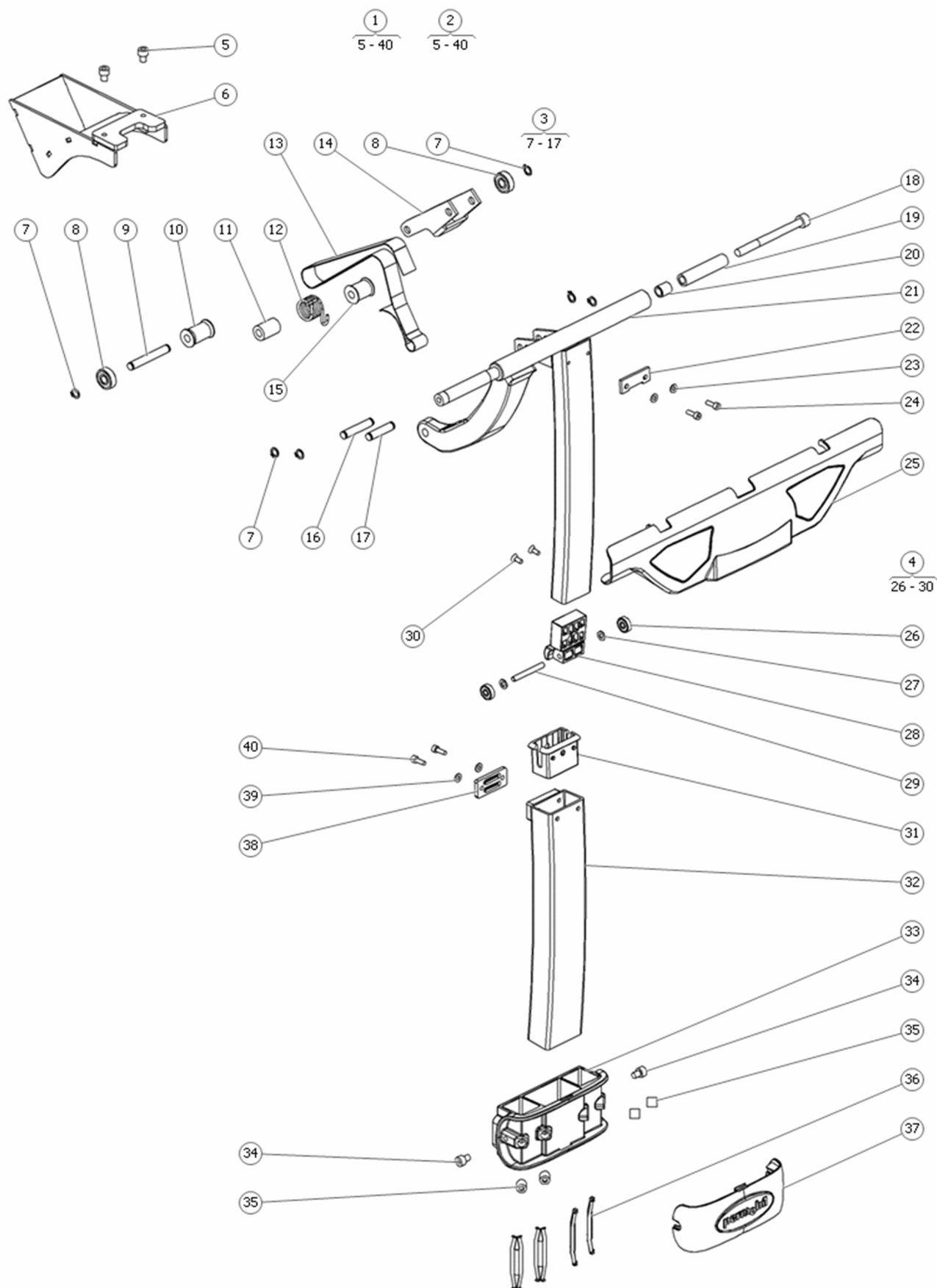
Pos	Qty	Stock Code	Description	Remark
1	1	1822455	PANEL HOLDER L=335	
1	1	1822456	PANEL HOLDER L=435	
2	1	316303	PANEL HOLDER	
3	1	313811	HINGE L=435	
3	1	313812	HINGE L=335	
4	1	308984	TUBE L=335	
4	1	310038	TUBE L=435	
5	1	310021	HINGE	
6	1	612448-99-0	SCREW, ISO 4029 M8x60 A2	
7	1	310425	LOCK WASHER	
8	1	310424	LOCK WASHER	
9	1	600228-99-0	LOCK NUT M8 FZB *	
10	1	310023	WASHER CONCAVE	
11	1	602825	LOCK HANDLE	
12	1	1825556	ADJUSTMENT KNOB KIT	
13	1	316292	PLATE	
14	1	601165-99-0	BOLT MC6S 5x16 fzb *	
15	1	600183-99-0	BOLT MC6S 4x10 fzb *	
16	1	317061	PANEL HOLDER V2	
17	1	1824242	PANEL HOLDER V2 L=335	



Pos	Qty	Stock Code	Description	Remark
1	1	1824295	PANELHOLDER	
2	1	316848	HINGE	
3	1	317401	PLATE	
4	1	600729-99-0	SCREW, M6x30 Fe/Zn ISO 10642	
5	1	600183-99-0	BOLT MC6S 4x10 fzb *	
6	1	600741-99-0	WASHER, 4,3x10x1 Fe/Zn	
7	1	317400	PLATE	
8	1	600238-99-0	WASH BRB ISO 7089 6.4x12x1.6 fzb STD	
9	1	601372-99-0	SCREW	
9	1	602035-99-0	SCREW, M6x30 Fe/Zn ISO 7380	
10	1	317403	PANELHOLDER	
11	1	601189-99-0	SCREW, M5x16 Fe/Zn ISO 10642	
12	1	1823502	LINK	
13	1	601424-99-0	BOLT MF6S 5x30 fzb *	
14	1	317402	PLATE	
15	1	316840	COVER	
16	1	600208-99-0	SCREW, M4x10 Fe/Zn DIN 7991	
17	1	316826	PLATE	
18	1	601962	SPRING PIN, 3x24 St ISO 8750	
19	1	316830	WHEEL	
20	1	316829	SHAFT	
21	1	316827	BODY	
22	1	613355	SPRING	
23	1	316831	PLATE	
24	1	600189-99-0	BOLT MC6S 5x10 fzb *	
25	1	316828	CHAIN SPROCK	
26	1	613435	ROLLER CHAIN	
27	1	613354	HEXAGON SPACER, M4 7x20 Fe/Zn	
28	1	1827135	CLAMP	
29	1	600832-99-0	SCREW, M4x6 Fe/Zn ISO 4762	
30	1	316832	WASHER	
31	1	602360-00-0	STARHANDLE CT.47630P M6x20	

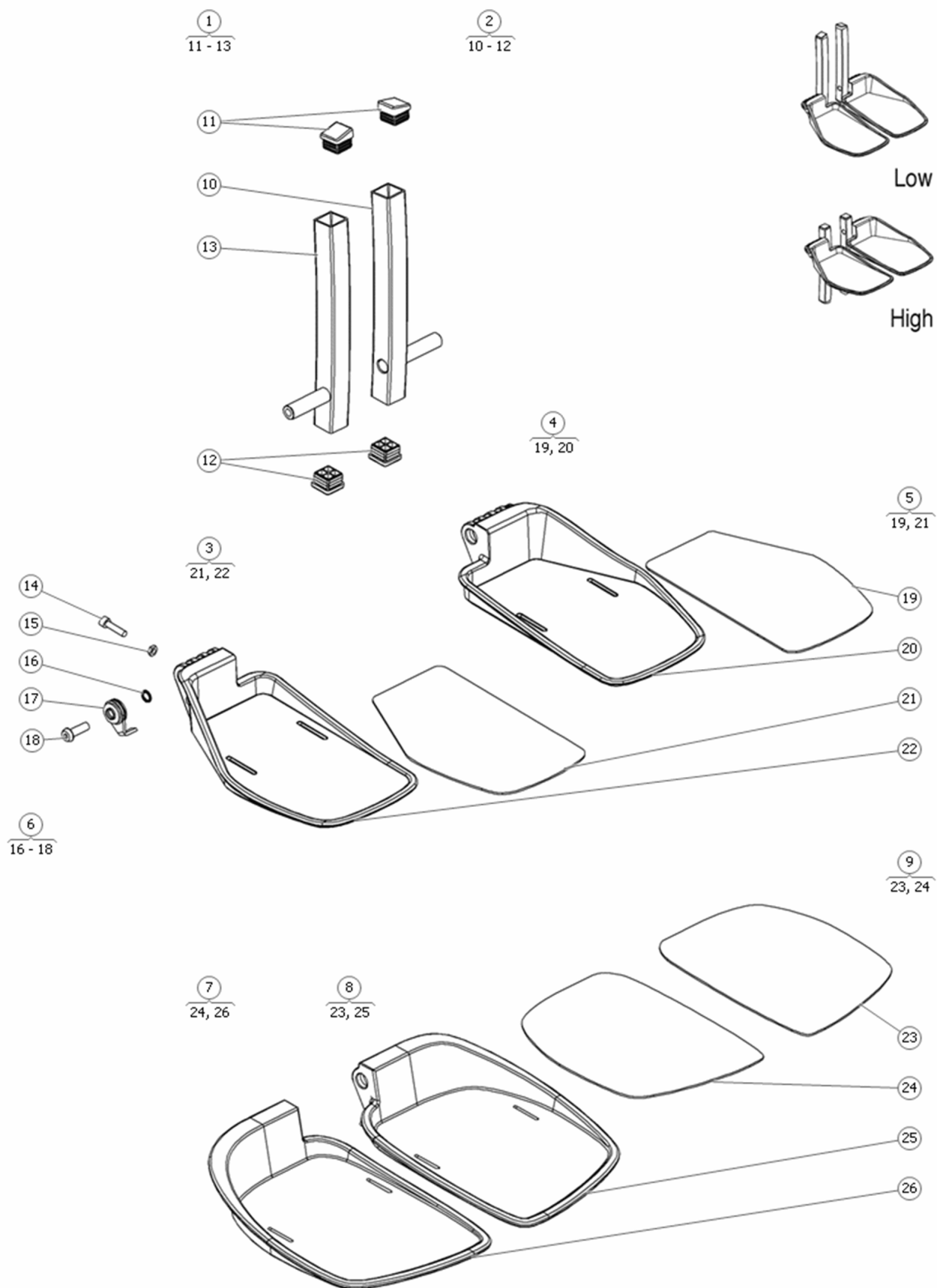


Pos	Qty	Stock Code	Description	Remark
1	1	320578	Without Legrest kit	
2	1	1827995	Tube	
3	1	1829666	Bush L=14, Ø12/8	
4	1	1829672	Socket Ø13x2,5x60	
5	1	601702-99-0	BOLT MC6S 8x90 fzb ISO 4762 Fe/Zn	
6	1	1825384	Cover	



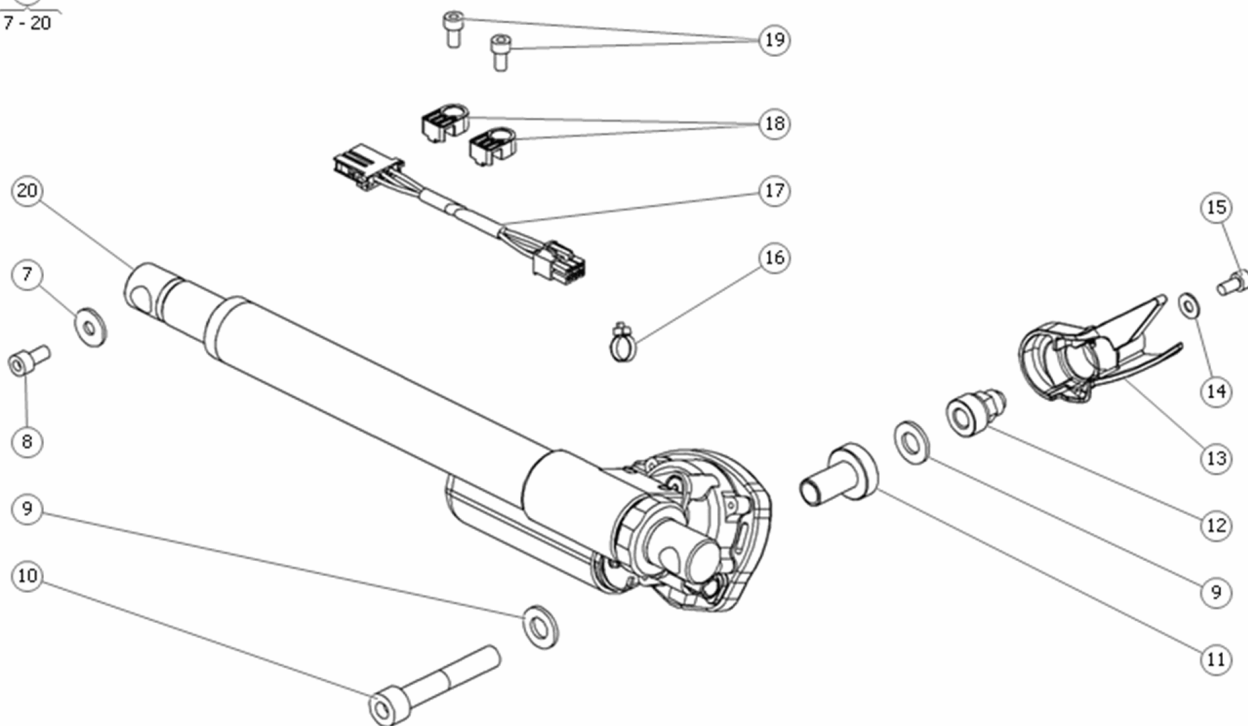
Pos	Qty	Stock Code	Description	Remark
1	1	1830243	LEGREST	
2	1	1830244	LEGREST, SHORT EXTENSION	
3	1	1825374	LEGREST EXTENSION SPARE PART KIT	
4	1	1828737	WEAR KIT RA/FOOTPL. PWR TRANSFER	
5	1	601359-99-0	BOLT MC6S 6x 8 fzb *	
6	1	1826393	HOLDER	
7	1	600503-99-0	CIRCLIP SGA 8 *	
8	1	600522-99-0	BALL BEAR 608-2RS1 *	
9	1	318947	SHAFT	
10	1	319164	ROLLER	
11	1	319165	ROLLER	
12	1	1821260	SPRING	
13	1	305245-00-0	WEB BELT CALF REST CII	
14	1	1821089	ROLLER BRACKET	
15	1	319166	ROLLER	
16	1	319172	ROLLER	
17	1	319171	ROLLER	
18	1	601702-99-0	BOLT MC6S 8x90 fzb ISO 4762 Fe/Zn	
19	1	1829672	SOCKET	
20	1	1829666	BUSH	
21	1	1830154	INNER PROFILE	
22	1	1829669	WEB.BELT	
23	1	601296-99-0	WASH BRB 4.3x 9x0.8 fzb STD	
24	1	600184-99-0	BOLT MC6S 4x12 fzb *	
25	1	1825384	COVER	
26	1	613729	BALL BEARING	
27	1	600237-99-0	WASH BRB 5.3x10x 1 fzb *	
28	1	318955	PLASTIC PLUG	
29	1	318954	PIN	
30	1	600208-99-0	BOLT MF6S 4x10 fzb DIN 7991 Fe/Zn	
31	1	1829668	PLASTIC PLUG	
32	1	1829667	OUTER PROFIL	
33	1	1829671	HOLDER	
34	1	601359-99-0	BOLT MC6S 6x 8 fzb *	
35	1	1826122	HEXAGON SOCKET SET SCREW	
36	1	1825609	PRESS PLATE	
37	1	1825383	COVER	
38	1	1829670	BRACKET	
39	1	601296-99-0	WASH BRB 4.3x 9x0.8 fzb STD	
40	1	600184-99-0	BOLT MC6S 4x12 fzb *	

Mounting options for the brackets

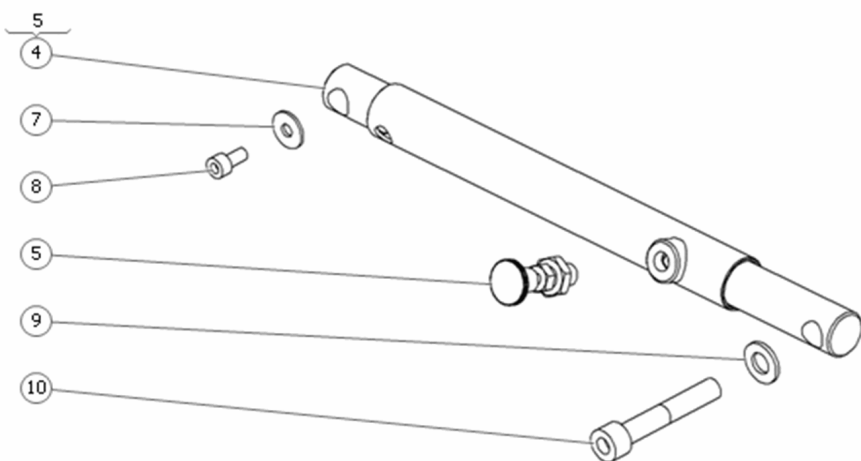


Pos	Qty	Stock Code	Description	Remark
1	1	1825378	BRACKET	Right
2	1	1825377	BRACKET	Left
3	1	1825608	FOOTPLATE	Narrow, right
4	1	1825607	FOOTPLATE	Narrow, left
5	1	1827426	RUBBER PROTECT KIT FOOTPL NARROW	Left and right
6	1	308371-99-0	FRICTIONS GUIDE FOOTPL CII	
7	1	1825380	FOOTPLATE	Wide, right
8	1	1825379	FOOTPLATE	Wide, left
9	1	1825381	RUBBER PROTECT KIT FOOTPL WIDE	Wide, left and right
10	1	318227	FOOT ADJUSTMENT	
11	1	1827967	PLASTIC PLUG	
12	1	1827968	PLASTIC PLUG	
13	1	318228	FOOT ADJUSTMENT	
14	1	600195-99-0	BOLT MC6S 6x25 fzb *	
15	1	612980-99-0	NUT ML6M M6 fzb DIN 439B ISO 4035	
16	1	602127-99-0	WASH SCHNORR 8,4*13*0,8 *	
17	1	306983	FRICTIONS BRAKE	
18	1	602165-99-0	BOLT K6S 8x 25 FZB	
19	1	319627	RUBBER PROTECT	
20	1	319200	FOOTPLATE	
21	1	319628	RUBBER PROTECT	
22	1	319201	FOOTPLATE	
23	1	319162	RUBBER PROTECT	
24	1	319163	RUBBER PROTECT	
25	1	318886	FOOTPLATE	
26	1	318887	FOOTPLATE	

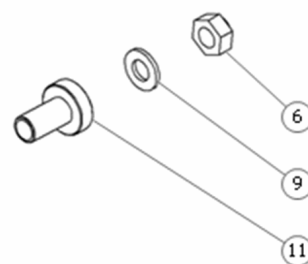
1
7 - 20



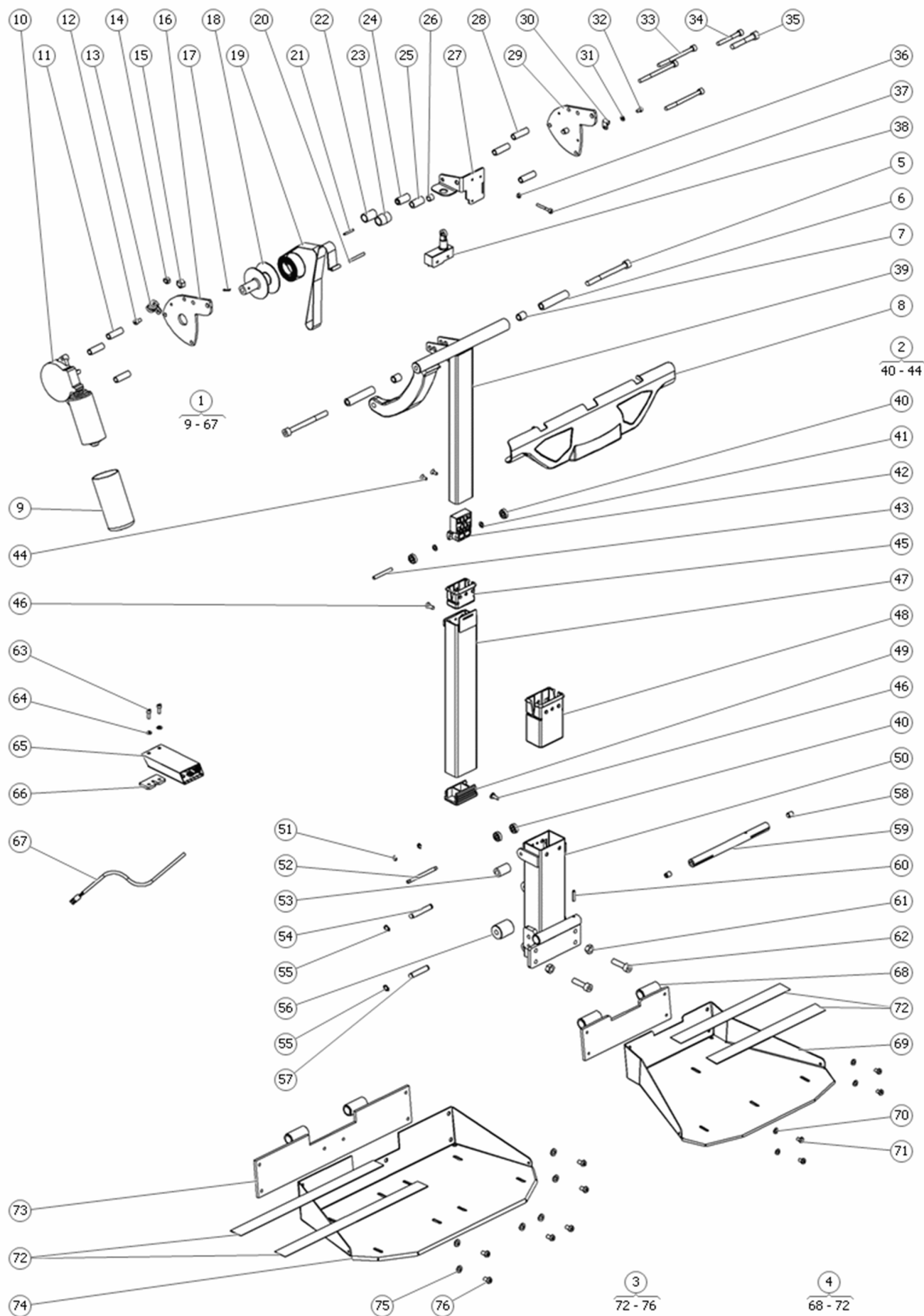
2
4 - 11



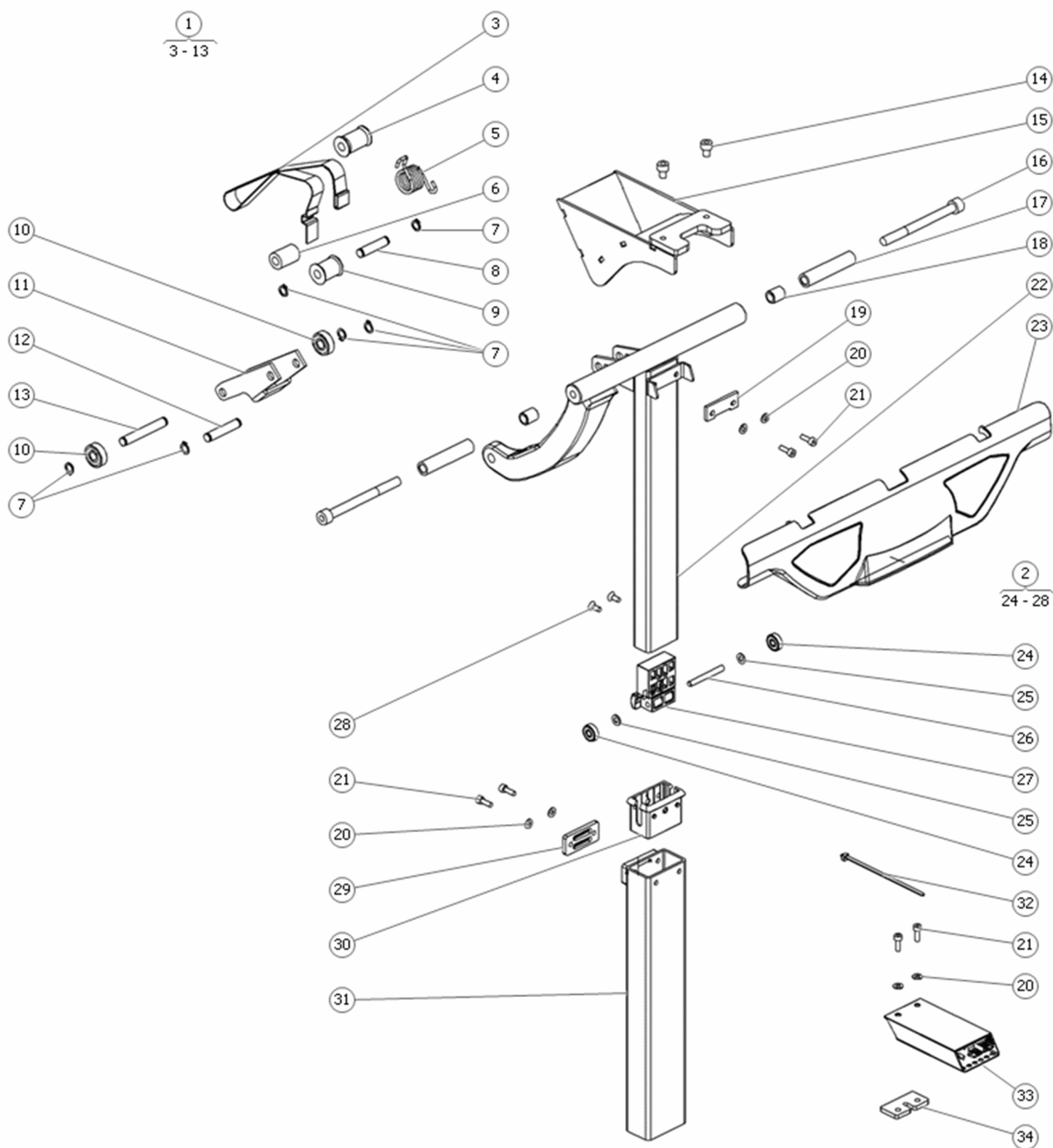
3
6 - 11



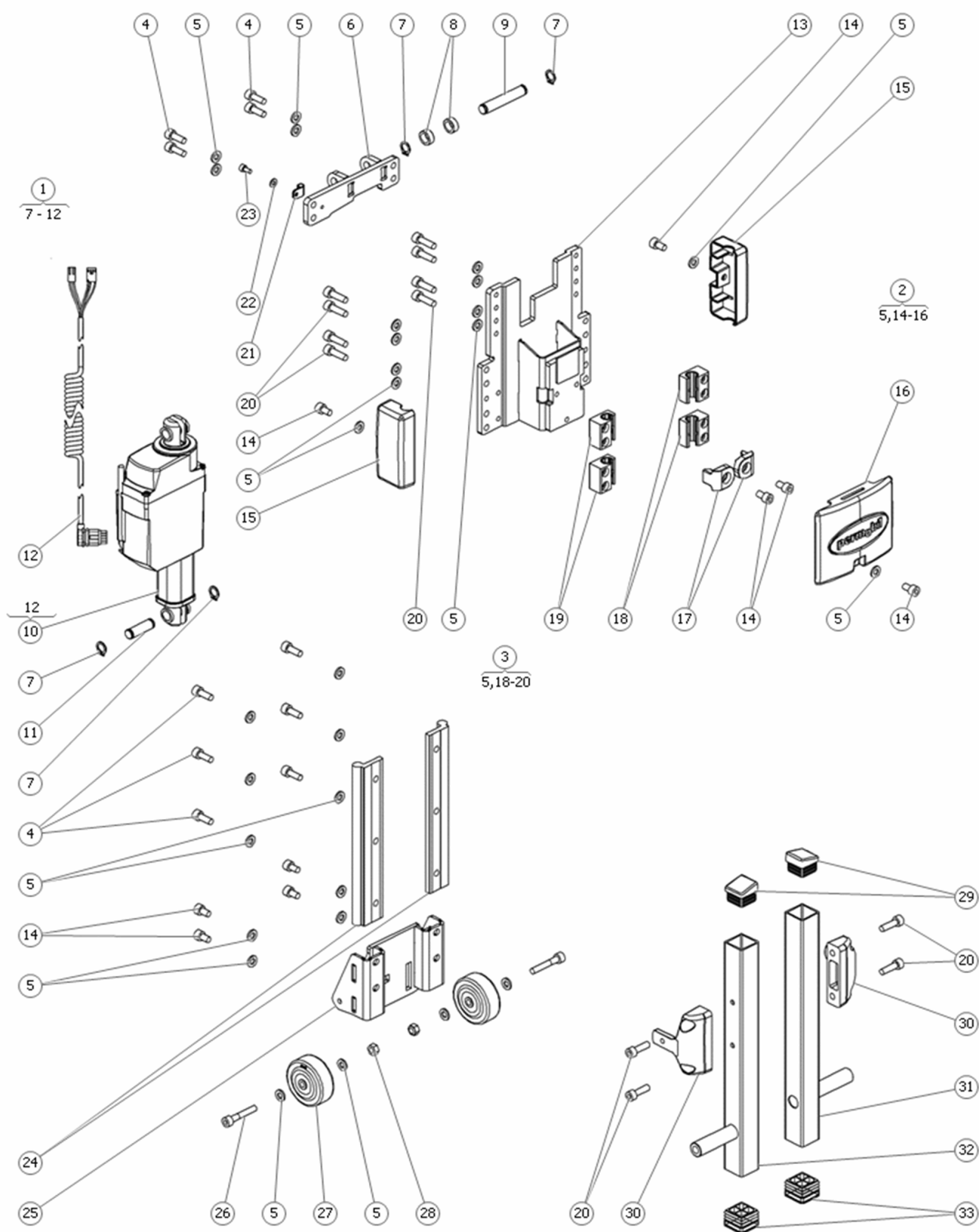
Pos	Qty	Stock Code	Description	Remark
1	1	1830195	POWER CONTROL	
2	1	1830198	MAN. CONTROL	
3	1	1825376	SCREW ASSY ACTUATOR LEGREST	
4	1	322330	TUBE	
5	1	602328-00-0	ADJ BOLT GN617 AK5	
6	1	600229-99-0	LOCK NUT M10 FZB *	
7	1	612675-99-0	WASHER, ISO 7093-1 6,4x18x1,6 fzb	
8	1	600192-99-0	BOLT MC6S 6x12 fzb *	
9	1	600241-99-0	WASH BRB 10.5x20x2 fzb *	
10	1	601396-99-0	BOLT MC6S 10x 60 fzb *	
11	1	1827729	BUSH	
12	1	322464	NUT	
13	1	322465	PINCH GUARD	
14	1	600842-99-0	WASH BRB 5.3x12x 1 fzb *	
15	1	600189-99-0	BOLT MC6S 5x10 fzb *	
16	1	602472	CABLE TIE	
17	1	1830246	CABLE	
18	1	1830209	HOLDER	
19	1	600189-99-0	BOLT MC6S 5x10 fzb *	
20	1	614222	ACTUATOR LEGREST C3G LR	



Pos	Qty	Stock Code	Description	Remark
1	1	1830480	LEGREST PWR TRANSFER, SPARE PART KIT	
2	1	1828737	WEAR KIT RA/FOOTPL PWR TRANSFER	
3	1	1828010	FOOTPLATE WIDE	
4	1	1828011	FOOTPLATE NARROW	
5	1	601702-99-0	BOLT MC6S 8x90 fzb ISO 4762 Fe/Zn	
6	1	1829672	SOCKET	
7	1	1829666	BUSH	
8	1	1825384	COVER	
9	1	613994	RUBBER SLEEVE	
10	1	1825720	MOTOR	
11	1	319027	SOCKET	
12	1	600188-99-0	BOLT MC6S 5x 8 fzb	
13	1	613985	CABLE CLIP	
14	1	600227-99-0	LOCK NUT M6 FZB *	
15	1	600228-99-0	LOCK NUT M8 FZB *	
16	1	320699	BRACKET	
17	1	600267	SPRING PIN	
18	1	319022	ROLLER	
19	1	306067-00-0	WEB BELT LEG RA EL	
20	1	322325	THREADED ROD	
21	1	612950	PARALLEL PIN	
22	1	306065	ROLLER	
23	1	312534	SOCKET	
24	1	306066	ROLLER	
25	1	315220	SPACER	
26	1	613730	SLIDE BEARING	
27	1	320700	BRACKET	
28	1	320704	SOCKET	
29	1	320703	BRACKET	
30	1	1821748	CABLE CLIP	
31	1	601296-99-0	WASH BRB 4.3x 9x0.8 fzb STD	
32	1	600832-99-0	BOLT MC6S 4x6 fzb ISO 4762 Fe/Zn	
33	1	602176-99-0	BOLT MC6S 6x80 fzb	
34	1	612485	SCREW ISO 4762, M6x50 Fe/Zn	
35	1	600276-99-0	BOLT MC6S 8x 50 fzb ISO4762	
36	1	600231-99-0	NUT M6M 4 fzb *	
37	1	601687	SCREW ISO 4762, M4x30 Fe/Zn	
38	1	1828015	SWITCH WITH CABLE	
39	1	1830155	INNER PROFILE	
40	1	613729	BALL BEARING	
41	1	600237-99-0	WASH BRB 5.3x10x 1 fzb *	
42	1	318955	PLASTIC PLUG	
43	1	318954	PIN	
44	1	600208-99-0	BOLT MF6S 4x10 fzb DIN 7991 Fe/Zn	
45	1	1828555	PLASTIC PLUG	
46	1	613469-99-0	SCREW MRT-TT 5x 12fzb	
47	1	320684	PROFILE	
48	1	1828556	BUSH	
49	1	613775	PLASTIC PLUG	
50	1	320689	OUTER PROFIL	
51	1	613992	CIRCLIP DIN 6799, 4x9x0.7	
52	1	320818	PIN	
53	1	1828557	ROLLER	
54	1	319038	SHAFT	
55	1	600503-99-0	CIRCLIP SGA 8 *	
56	1	1828558	ROLLER	
57	1	305221-99-0	SHAFT 43mm ROLL	
58	1	600737-99-0	SET SCREW SK6SS 8x10 *	
59	1	306085	SHAFT	
60	1	601456-99-0	EXPANDER PIN FRP 4x20 *	
61	1	600233-99-0	NUT M6M 8 BHB fzb *	
62	1	600880-99-0	BOLT MC6S 8x 30 fzb *	
63	1	600184-99-0	BOLT MC6S 4x12 fzb *	
64	1	601296-99-0	WASH BRB 4.3x 9x0.8 fzb STD	
65	1	1825546	GENERAL MODULE	
66	1	1827727	WASHER	
67	1	1828007	CABLE	
68	1	306205-99-0	FOOTPL HINGE RA HEXIII	
69	1	1828009	FOOTPLATE	
70	1	600237-99-0	WASH BRB 5.3x10x 1 fzb *	
71	1	600740-99-0	BOLT K6S 5x 8 fzb *	
72	1	603068-00-0	HALSKYDDSTEJP B=25 RULLE L=18,3 M	Anti-slip tape on reel. Width 25 mm/1 inch. Lenght 1...
73	1	306169	HINGE	
74	1	1828008	FOOTPLATE	
75	1	600238-99-0	WASH BRB ISO 7089 6.4x12x1.6 fzb STD	
76	1	600736-99-0	BOLT K6S 6x10 fzb *	

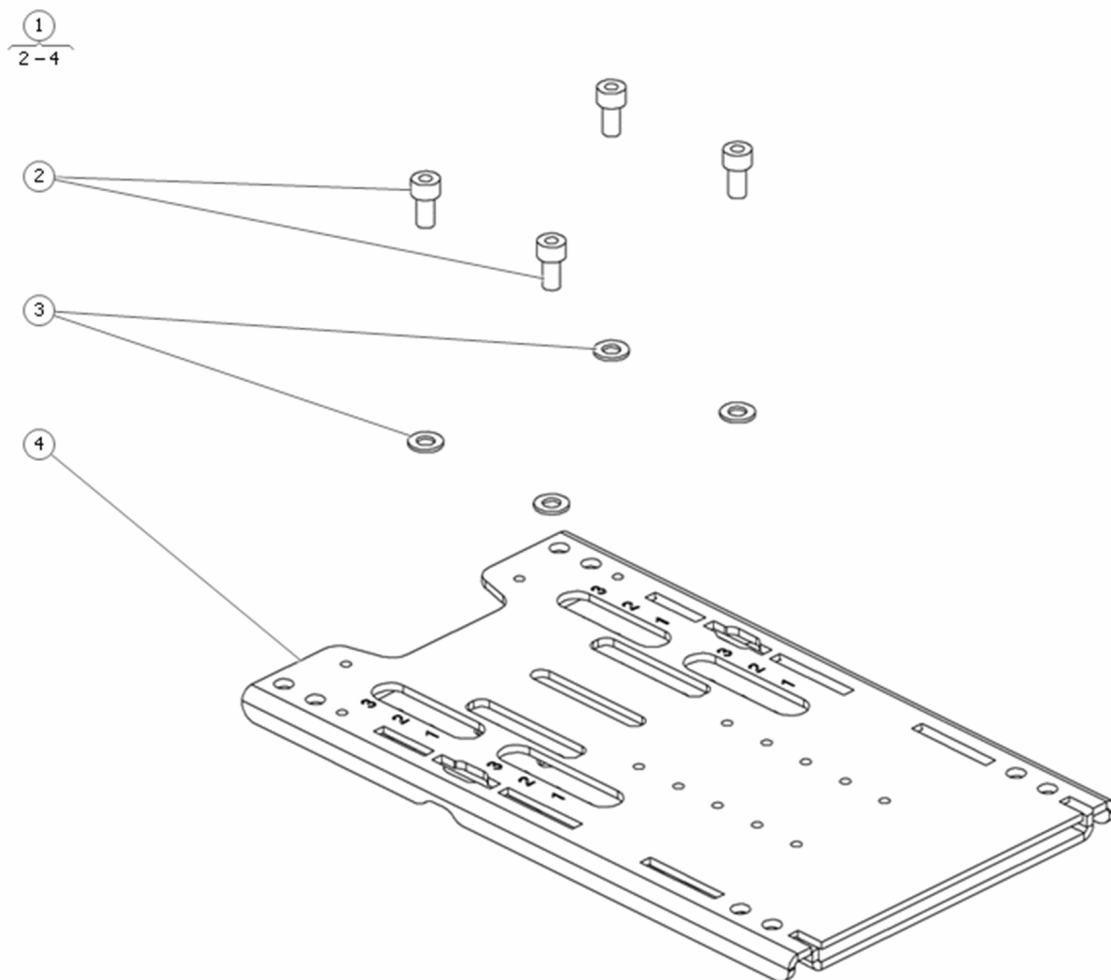


Pos	Qty	Stock Code	Description	Remark
1	1	1825374	LEGR EXTENSION SPAREPART KIT	
2	1	1828737	WEAR KIT RA/FOOTPL PWR TRANSFER	
3	1	305245-00-0	WEB BELT CALF REST CII	
4	1	319164	ROLLER	
5	1	1821260	SPRING	
6	1	319165	ROLLER	
7	1	600503-99-0	CIRCLIP SGA 8 *	
8	1	319172	ROLLER	
9	1	319166	ROLLER	
10	1	600522-99-0	BALL BEAR 608-2RS1 *	
11	1	1821089	ROLLER	
12	1	319171	ROLLER	
13	1	318947	SHAFT	
14	1	601359-99-0	BOLT MC6S 6x 8 fzb *	
15	1	1826393	HOLDER	
16	1	601702-99-0	BOLT MC6S 8x90 fzb ISO 4762 Fe/Zn	
17	1	1829672	SOCKET	
18	1	1829666	BUSH	
19	1	1829669	WEB.BELT	
20	1	601296-99-0	WASH BRB 4.3x 9x0.8 fzb STD	
21	1	600184-99-0	BOLT MC6S 4x12 fzb *	
22	1	1830156	INNER PROFILE	
23	1	1825384	COVER	
24	1	613729	BALL BEARING	
25	1	600237-99-0	WASH BRB 5.3x10x 1 fzb *	
26	1	318954	PIN	
27	1	318955	PLASTIC PLUG	
28	1	600208-99-0	BOLT MF6S 4x10 fzb DIN 7991 Fe/Zn	
29	1	1829670	BRACKET	
30	1	1829668	PLASTIC PLUG	
31	1	319023	OUTER PROFIL	
32	1	602472	CABLE TIE	
33	1	1825546	GENERAL MODULE	
34	1	1827727	WASHER	



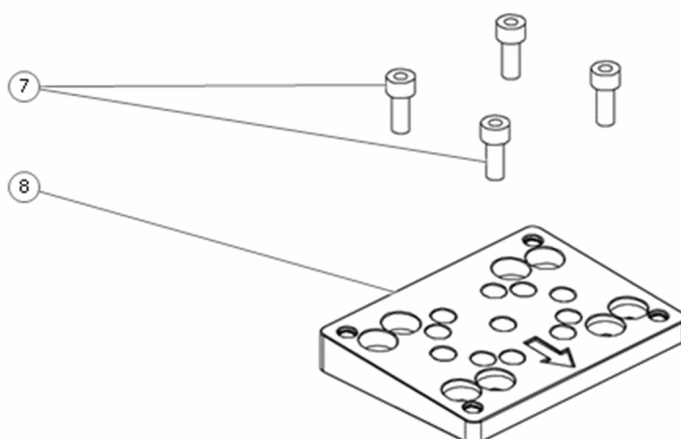
Pos	Qty	Stock Code	Description	Remark
1	1	1828738	ACTUATOR INCL MOUNT KIT	
2	1	1828012	COVER KIT POWER FOOTPLATE	
3	1	1828013	LINEAR BEARING KIT POWER FOOTPLATE	
4	1	600743-99-0	BOLT MC6S 6x16 fzb *	
5	1	600238-99-0	WASH BRB ISO 7089 6.4x12x1.6 fzb STD	
6	1	320777	BRACKET	
7	1	600271-99-0	CIRCLIP SGA 10 *	
8	1	320790	SPACER	
9	1	320792	SHAFT	
10	1	613984	ACTUATOR	
11	1	320791	SHAFT	
12	1	1828553	CABLE ACTUATOR LA23 PWM	
13	1	320793	HOLDER	
14	1	600888-99-0	BOLT MC6S 6x10 fzb *	
15	1	320740	COVER	
16	1	320738	COVER	
17	1	320774	LOCK	
18	1	613379	HOUSING BEARING LINEAR	
19	1	613380	HOUSING BEARING LINEAR	
20	1	600194-99-0	BOLT MC6S 6x20 fzb	
21	1	1821748	CABLE CLIP	
22	1	601296-99-0	WASH BRB 4.3x 9x0.8 fzb STD	
23	1	600182-99-0	BOLT MC6S 4x 8 fzb	
24	1	320788	SLIDE BAR	
25	1	320782	BRACKET	
26	1	601333-99-0	BOLT MC6S 6x35 fzb	
27	1	602198-99-0	WHEELS SUPP FRAME LR502050-2	
28	1	600227-99-0	LOCK NUT M6 FZB *	
29	1	1827967	PLASTIC PLUG	
30	1	320734	BRACKET	
31	1	319036	FOOT ADJUSTMENT	
32	1	319037	FOOT ADJUSTMENT	
33	1	601236-00-0	PLAST PLUG 56-25-25	

Pos	Qty	Stock Code	Description	Remark
1	1	1830153	SEAT TILT 30°	
2	1	1830341	COVER KIT	
3	1	1830144	WEAR KIT	
4	1	1830145	ACTUATOR KIT	
5	1	1826305	SCREW KIT	Incl. 4 pcs position 32 and 33
6	1	322149	COVER	
7	1	322128	COVER	
8	1	322131	WASHER	
9	1	322129	BRACKET	
10	1	600169-99-0	BOLT MC6S 5x12 fzb *	
11	1	600188-99-0	BOLT MC6S 5x 8 fzb	
12	1	322117	COVER	
13	1	322118	COVER	
14	1	322138	SQUEEZE GUARD	
15	1	613728	DISC SPRING	
16	1	318380	BUSH	
17	1	318379	BEARING	
18	1	318378	WASHER	
19	1	321564	SHAFT	
20	1	614398	DISC SPRING	
21	1	613711	BALL BEARING	
22	1	322142	WHEEL	
23	1	318377	SOCKET	
24	1	614397	SHIM WASHER	
25	1	318810	SLIDE PUCK	
26	1	318814	WASHER	
27	1	318815	DAMPER	
28	1	600194-99-0	BOLT MC6S 6x20 fzb	
29	1	319061	SOCKET	
30	1	614225	ACTUATOR	
31	1	614516	ACTUATOR NUT	
32	1	600590-99-0	BOLT MC6S 8x 16 fzb *	
33	1	600239-99-0	WASH ISO 7089 8.4x16x1.6 Fe/Zn	
34	1	602165-99-0	BOLT K6S 8x 25 FZB	
35	1	612716	SCREW ISO 7380, M8x60 Fe/Zn	
36	1	322046	FRAME	
37	1	601353-99-0	BOLT K6S 5x10 fzb *	
38	1	322146	PLATE	
39	1	600578-99-0	LOCK NUT M3 FZB	
40	1	601202-99-0	WASH BRB 3.2x 7 fzb STD	
41	1	602690	SCREW ISO 4762, M3x8 Fe/Zn	
42	1	614392	CABLE CHAIN	
43	1	600888-99-0	BOLT MC6S 6x10 fzb *	
44	1	322104	PLATE	
45	1	612953-00-0	CABLE CLIP 20x10x28 M6	
46	1	322055	FRAME	
47	1	600228-99-0	LOCK NUT M8 FZB *	
48	1	318373	BEARING	
49	1	613218-99-0	BOLT K6S 8x30 fzb 10.9 ISO 7380	
50	1	600192-99-0	BOLT MC6S 6x12 fzb *	
51	1	1830209	HOLDER	
52	1	600189-99-0	BOLT MC6S 5x10 fzb *	
53	1	318408	SOCKET	
54	1	602035-99-0	BOLT K6S 6x30 fzb ISO 7380	
55	1	600238-99-0	WASH BRB ISO 7089 6.4x12x1.6 fzb STD	
56	1	322041	PLATE	
57	1	1827494	BOLT 6x35 fzb 10.9 ISO7380	
58	1	318391	SOCKET	
59	1	600227-99-0	LOCK NUT M6 FZB *	
60	1	322043	PLATE	
61	1	322085	SPACER	
62	1	322042	PLATE	
63	1	1825539	CABLE	
64	1	1830210	CABLE	
65	1	322056	BRACKET	
66	1	318369	SOCKET	
67	1	322610	PINCH GUARD	
68	1	322545	ADHESIVE TRANSFER TAPE	

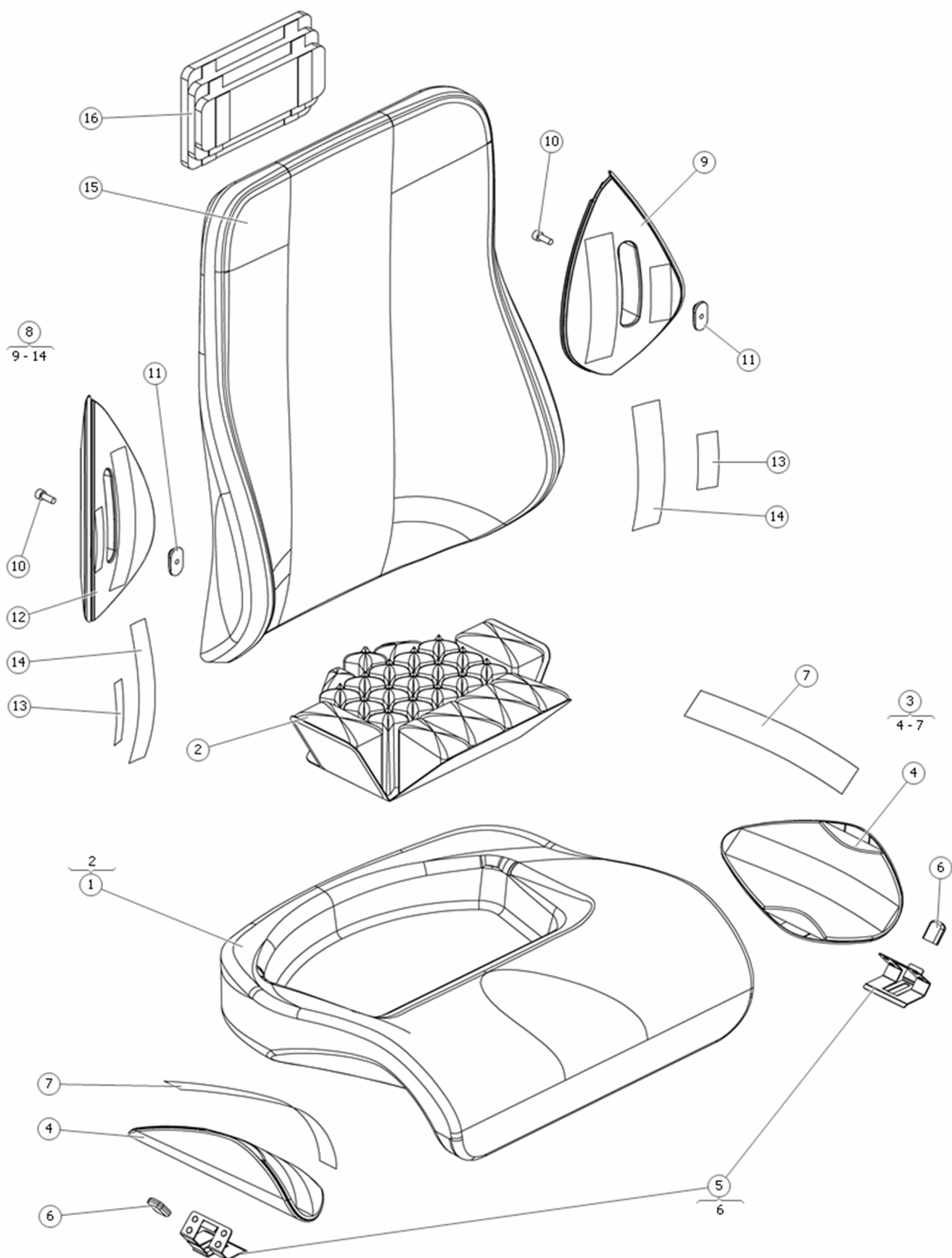


⑤
7, 8

⑥
7



Pos	Qty	Stock Code	Description	Remark
1	1	1826452	SEAT BRACKET NO TILT	
2	1	600590-99-0	BOLT MC6S 8x 16 fzb *	
3	1	600239-99-0	WASH ISO 7089 8.4x16x1.6 Fe/Zn	
4	1	319108	PLATE FIXED SEAT TILT	
5	1	1825590	ADAPTER NEGATIV SEAT TILT 5°	
6	1	1826302	BOLT KIT ADAPTER NEGATIVE SEAT TILT -5°	
7	1	600203-99-0	BOLT MC6S 8x 20 fzb *	Contains 4 pcs of position 7 (stock code 600203-99-0)
8	1	1826448	PLATE ADAPTER -5° TILT	



Pos	Qty	Stock Code	Description	Remark
1	1	1826136	Seat Cushion Skai 420x420mm (17"x17")	
1	1	1826137	Seat Cushion Skai 420x470mm (17"x19")	
1	1	1826138	Seat Cushion Skai 420x520mm (17"x21")	
1	1	1826139	Seat Cushion Skai 470x420mm (19"x17")	
1	1	1826140	Seat Cushion Skai 470x470mm (19"x19")	
1	1	1826141	Seat Cushion Skai 470x520mm (19"x21")	
1	1	1826142	Seat Cushion Skai 520x420mm (21"x17")	
1	1	1826143	Seat Cushion Skai 520x470mm (21"x19")	
1	1	1826144	Seat Cushion Skai 520x520mm (21"x21")	
1	1	1826145	Seat Cushion Mesh Grey 420x420mm (17"x17")	
1	1	1826146	Seat Cushion Mesh Grey 420x470mm (17"x19")	
1	1	1826147	Seat Cushion Mesh Grey 420x520mm (17"x21")	
1	1	1826148	Seat Cushion Mesh Grey 470x420mm (19"x17")	
1	1	1826149	Seat Cushion Mesh Grey 470x470mm (19"x19")	
1	1	1826150	Seat Cushion Mesh Grey 470x520mm (19"x21")	
1	1	1826151	Seat Cushion Mesh Grey 520x420mm (21"x17")	
1	1	1826152	Seat Cushion Mesh Grey 520x470mm (21"x19")	
1	1	1826153	Seat Cushion Mesh Grey 520x520mm (21"x21")	
1	1	1826156	Seat Cushion Mesh Black 420x520mm (17"x21")	
1	1	1826158	Seat Cushion Mesh Black 470x470mm (19"x19")	
1	1	1826159	Seat Cushion Mesh Black 470x520mm (19"x21")	
1	1	1826160	Seat Cushion Mesh Black 520x420mm (21"x17")	
1	1	1826161	Seat Cushion Mesh Black 520x470mm (21"x19")	
1	1	1828584	SEAT CUSHION SKAI 470x470 (19"x19")	
1	1	1828585	SEAT CUSHION MESH - BLACK 470x470 (19"x19")	
1	1	1828586	SEAT CUSHION SKAI 470x520 (19"x21")	
1	1	1828587	SEAT CUSHION MESH - BLACK 470x520 (19"x21")	
1	1	1828588	SEAT CUSHION SKAI 520x470 (21"x19")	
1	1	1828589	SEAT CUSHION MESH - BLACK 520x470 (21"x19")	
1	1	1828590	SEAT CUSHION SKAI 520x520 (21"x21")	
1	1	1828591	Seat Cushion Mesh Black 520x520mm (21"x21")	
1	1	1828591	SEAT CUSHION MESH - BLACK 520x520 (21"x21")	
1	1	1828633	SEAT CUSHION SKAI 420x420 (17"x17")	
1	1	1828634	SEAT CUSHION MESH - BLACK 420X420 (17"x17")	
1	1	1828635	SEAT CUSHION SKAI 420x470 (17"x19")	
1	1	1828636	SEAT CUSHION MESH - BLACK 420x470 (17"x19")	
1	1	1828637	SEAT CUSHION SKAI 420x520 (17"x21")	
1	1	1828638	SEAT CUSHION MESH - BLACK 420x520 (17"x21")	
1	1	1828639	SEAT CUSHION SKAI 470x420 (19"x17")	
1	1	1828640	SEAT CUSHION MESH - BLACK 470x420 (19"x17")	
1	1	1828641	SEAT CUSHION SKAI 520x420 (21"x17")	
1	1	1828642	SEAT CUSHION MESH - BLACK 520x420 (21"x17")	
1	1	1828920	SEAT CUSHION ROHO 420X420 STRETCH FABRIC	
1	1	1828921	SEAT CUSHION ROHO 420X470 STRETCH FABRIC	
1	1	1828922	SEAT CUSHION ROHO 420X520 STRETCH FABRIC	
1	1	1828923	SEAT CUSHION ROHO 470X420 STRETCH FABRIC	
1	1	1828924	SEAT CUSHION ROHO 470X470 STRETCH FABRIC	
1	1	1828925	SEAT CUSHION ROHO 470X520 STRETCH FABRIC	
1	1	1828926	SEAT CUSHION ROHO 520X420 STRETCH FABRIC	
1	1	1828927	SEAT CUSHION ROHO 520X470 STRETCH FABRIC	
1	1	1828928	SEAT CUSHION ROHO 520X520 STRETCH FABRIC	
2	1	1829901	ROHO Comfort Cushion 15"	Incl. Velcro tape for mounting.
2	1	1829902	ROHO Comfort Cushion 17"	Incl. Velcro tape for mounting.
3	1	1825736	Thigh support kit	
4	1	321818	Support	
5	1	321827	Bracket Thigh support	
6	1	1826969	Plastic sleeve	
7	1	321487	Velcro tape W=30 L=245	
8	1	1826163	Trunk support Small kit	
8	1	1826164	Trunk support Large kit	
9	1	1826131	Trunk support Large/Left	
9	1	1826133	Trunk support Small/Left	
10	1	600743-99-0	BOLT MC6S 6x16 fzb *	
11	1	1826461	Nut	
12	1	1826132	Trunk support Large/Right	
12	1	1826134	Trunk support Small/Right	
13	1	322077	Velcro tape W=20 L=65	
14	1	322078	Velcro tape W=30 L=150	
15	1	1826165	Backrest cushion Skai 410x480mm (16"x19")	
15	1	1826166	Backrest cushion Skai 460x480mm (18"x19")	
15	1	1826167	Backrest cushion Skai 360x545-595mm (14x22--24")	
15	1	1826168	Backrest cushion Skai 410x545-595mm (16x22--24")	
15	1	1826169	Backrest cushion Skai 460x545-595mm (18x22--24")	
15	1	1826170	Backrest cushion Skai 360x620-670mm (14x25--27")	
15	1	1826171	Backrest cushion Skai 410x620-670mm (16x25--27")	
15	1	1826172	Backrest cushion Skai 460x620-670mm (18x25--27")	
15	1	1826173	Backrest cushion Mesh Black 360x480mm (14"x19")	
15	1	1826174	Backrest cushion Mesh Black 410x480mm (16"x19")	
15	1	1826175	Backrest cushion Mesh Black 460x480mm (18"x19")	
15	1	1826176	Backrest cushion Mesh Black 360x545-595mm (14"x22-24")	
15	1	1826177	Backrest cushion Mesh Black 410x545-595mm (16"x22-24")	
15	1	1826178	Backrest cushion Mesh Black 460x545-595mm (18"x22-24")	
15	1	1826179	Backrest cushion Mesh Black 360x620-670mm (14"x25-27")	

Pos	Qty	Stock Code	Description	Remark
15	1	1826180	Backrest cushion Mesh Black 410x620-670mm (16"x25-27")	
15	1	1826181	Backrest cushion Mesh Black 460x620-670mm (18"x25-27")	
15	1	1826182	Backrest cushion Mesh Grey 360x480mm (14"x19")	
15	1	1826183	Backrest cushion Mesh Grey 410x480mm (16"x19")	
15	1	1826184	Backrest cushion Mesh Grey 460x480mm (18"x19")	
15	1	1826185	Backrest cushion Mesh Grey 360x545-595mm (14"x22-24")	
15	1	1826186	Backrest cushion Mesh Grey 410x545-595mm (16"x22-24")	
15	1	1826187	Backrest cushion Mesh Grey 460x545-595mm (18"x22-24")	
15	1	1826188	Backrest cushion Mesh Grey 360x620-670mm (14"x25-27")	
15	1	1826189	Backrest cushion Mesh Grey 410x620-670mm (16"x25-27")	
15	1	1826190	Backrest cushion Mesh Grey 460x620-670mm (18"x25-27")	
15	1	1826200	Backrest cushion Skai 360x480mm (14"x19")	
15	1	1828722	Backrest cushion Mesh Black 510x545-595mm (20"x22-24")	
15	1	1828723	Backrest cushion Mesh Black 510x620-670mm (20"x25-27")	
15	1	1828724	Backrest cushion Skai 510x545-595mm (20x22--24")	
15	1	1828725	Backrest cushion Skai 510x620-670mm (20x25--27")	
15	1	1828726	Backrest cushion Mesh Black 510x480mm (20"x19")	
15	1	1828727	Backrest cushion Skai 510x480mm (20"x19")	
16	1	1826130	Lumbar support	

Ordering information

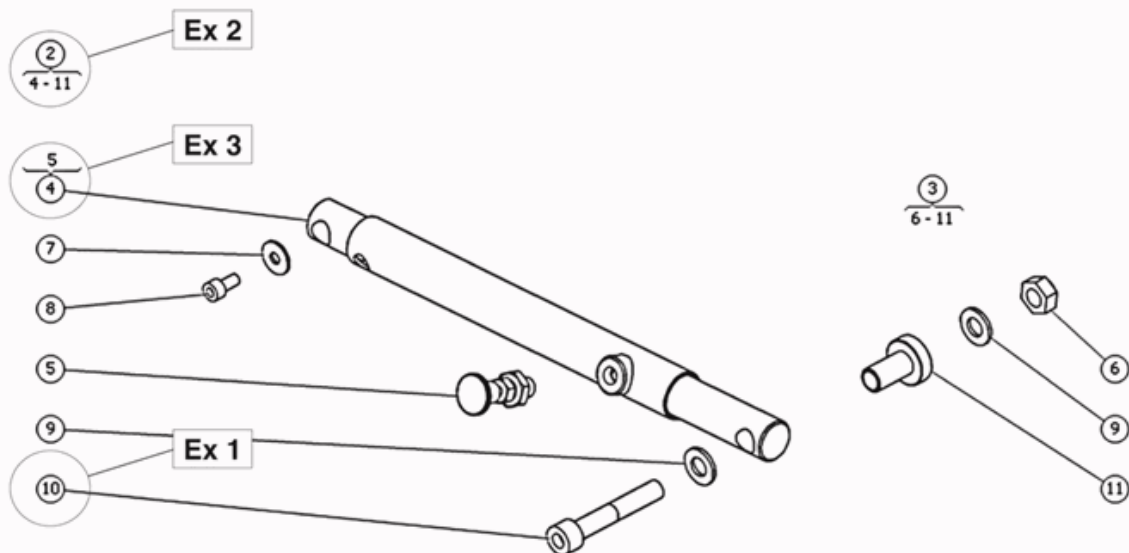
When you order spare parts, the following must always be specified:

- The product model (for example, power wheelchair C300).
- The description of the part. Always use the description used in this catalog.
- The entire part number.
- The quantity.

NB! In some cases, parts appear in the spare part catalog without a part number. This means that the part cannot be ordered from Permobil. We have, however, chosen to describe it for your information. Standard components such as screws, nuts, washers and similar parts can be purchased in an ordinary shop using the information in this catalog.

Parts

A part consists of one or more parts. If a part consists of several parts, a bracket in connection with the part's item bubble is used to show the parts included in the part in the exploded views. See examples 1, 2 and 3.



Example 1:

Position 10 refers to a single part, a screw.

Example 2:

Position 2 is a spare part consisting of the positions from 4 to 11.

Example 3:

Position 4 is an article that also includes position 5. In these cases the article or articles which referred to in the bracket, are pre-assembled on the main article (position 4).

Spare Parts Catalog

CONTACT PERMOBIL:

Permobil AB

Box 120

861 23 Timrå

Sverige

Tel: 060-59 59 00

Fax: 060-57 52 50

E-post: info@permobil.se

Permobil Inc. USA

300 Duke Drive

Lebanon, TN 37090

USA

Phone: 800-736-0925

Fax: 800-231-3256

Email: info@permobilusa.com

Permobil AS

Industriveien 16

Postboks 60

1483 Hagan Norge

Tlf. 815 30 077

Fax. 815 33 655

E-post: firmapost@permobil.no

Permobil Benelux BV

De Beitel 11

6466 GZ Kerkrade

Nederland

Tel: +31 (0)45 564 54 80

Fax: +31 (0)45 564 54 81

Email: info@permobil.nl

Notes

A series of horizontal dashed lines for taking notes, occupying the majority of the page.

Notes

A series of horizontal dashed lines for writing notes.



permobil
THE POWER OF MOBILITY