

HELIO C2 FRAME CATALOGUE

HELIO C2 FRAME ASSEMBLY	1
-------------------------	---

BACKREST CATALOGUE

CARBON BACK CANES	10
ALUMINUM BACK CANES	18
INTEGRATED PUSH HANDLE BACK CANES	23
BACK CANE HARDWARE	26

FOOTREST CATALOGUE

FOOTRESTS - SWING-IN , SWING-OUT	32
ELEVATING LEGRESTS	41
FOOTPLATES	44
ONE PIECE FOOTPLATES	55
ONE PIECE FOOTPLATE EXTENSIONS	58
DIRECT MOUNT FOOTRESTS	60
DIRECT MOUNT FOOTPLATES	66
HIGH MOUNT, EXTENSION WITH CLAMPS	72
STUMP SUPPORTS - SWING-IN , SWING-OUT	74

ARMREST CATALOGUE

ARMRESTS	77
ARMRESTS - FLIP BACK RECEIVER	88
ARMRESTS - T TYPE RECEIVER	92
ARMRESTS - SWING AWAY RECEIVER	94

REAR WHEEL CATALOGUE

TIRES	96
REAR WHEELS	98
MULTI-POSITION REAR WHEEL MOUNTING PLATES	100
AMPUTEE ADJUSTABLE AXLE PLATES	100
QUICK RELEASE & PERMANENT AXLE	103
HANDRIMS	105
HANDRIM HARDWARE	106
SPOKE GUARDS	108
ONE ARM DRIVE KIT	110

FRONT WHEEL CATALOGUE

FRONT CASTER WHEELS	112
FORKS	113
CASTER LOCK PIN	114
V2 CASTER HOUSING	118
HARDWARE	122

WHEEL LOCK CATALOGUE

WHEEL LOCK - PUSH & PULL	123
WHEEL LOCK - SCISSOR WITH ADAPTOR	130
GRADE AID WITH AND WITHOUT 6 IN EXTENSION	132
WHEEL LOCK - CLAMPS	135

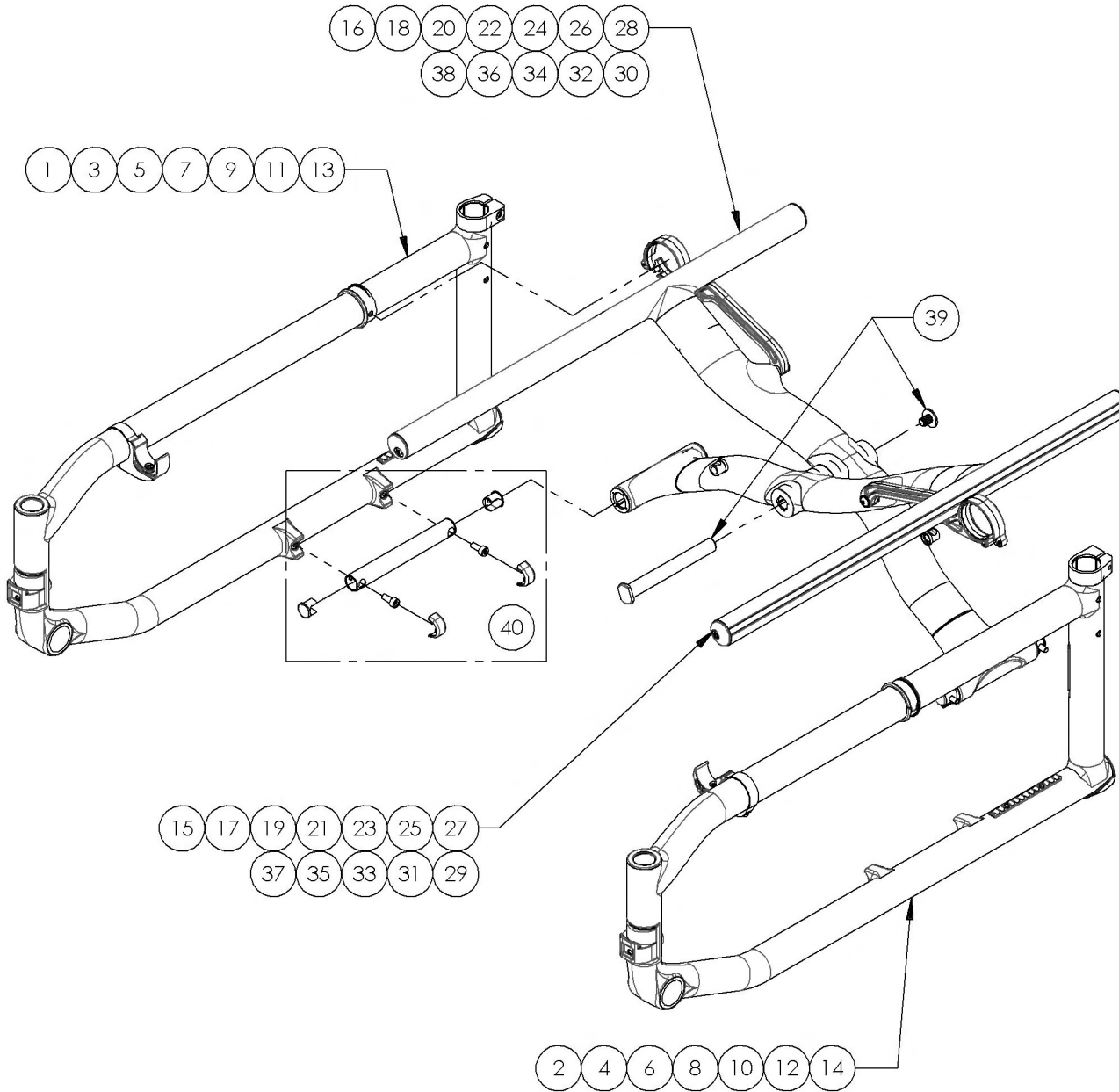
ACCESSORIES CATALOGUE

ANTI-TIPPERS	137
ARMY PATCHES	142
POSITIONING SEATBELTS	143
POSITIONING SEATBELTS - BODYPOINT 2 AND 4 POINTS	145
POSITIONING SEATBELTS - ADDITIONAL HARDWARE	147
CALF STRAPS	148
CANE HOLDERS	151
CLOSING STRAPS	153
CUSHIONS	154
FOLDING STABILIZER BARS	157
FOOTREST NEOPREN IMPACT GUARDS	159
HEAD RESTS	160
OXYGEN TANK HOLDER	161
SEAT POUCH	163
SIDEGUARDS & MUDGUARDS	164
REMOVABLE SIDEGUARD & MUDGUARD RECEIVER	173
SLINDING SEAT SLINGS	175
UPHOLSTERY	177
SLIP ON UPHOLSTERY	179
STICKERS	181
STROLLER HANDLES	182
TOOL KIT	184
HELIO T-SHIRT	186

QUICK ORDER CATALOGUE

FORK ASSEMBLY	187
LINK + HARDWARE	189
REAR BUSHING ASSEMBLY	191
REAR WHEEL ASSEMBLY	193
STEM BOLT ASSEMBLY	195

C2 Frame Assembly

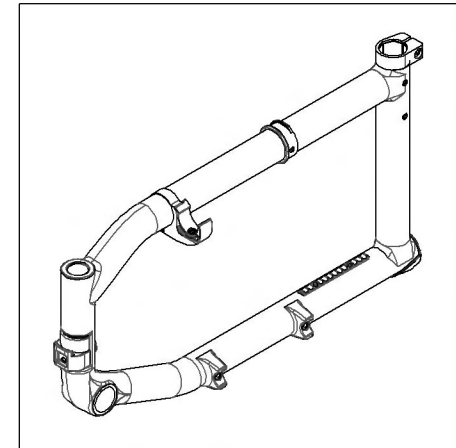
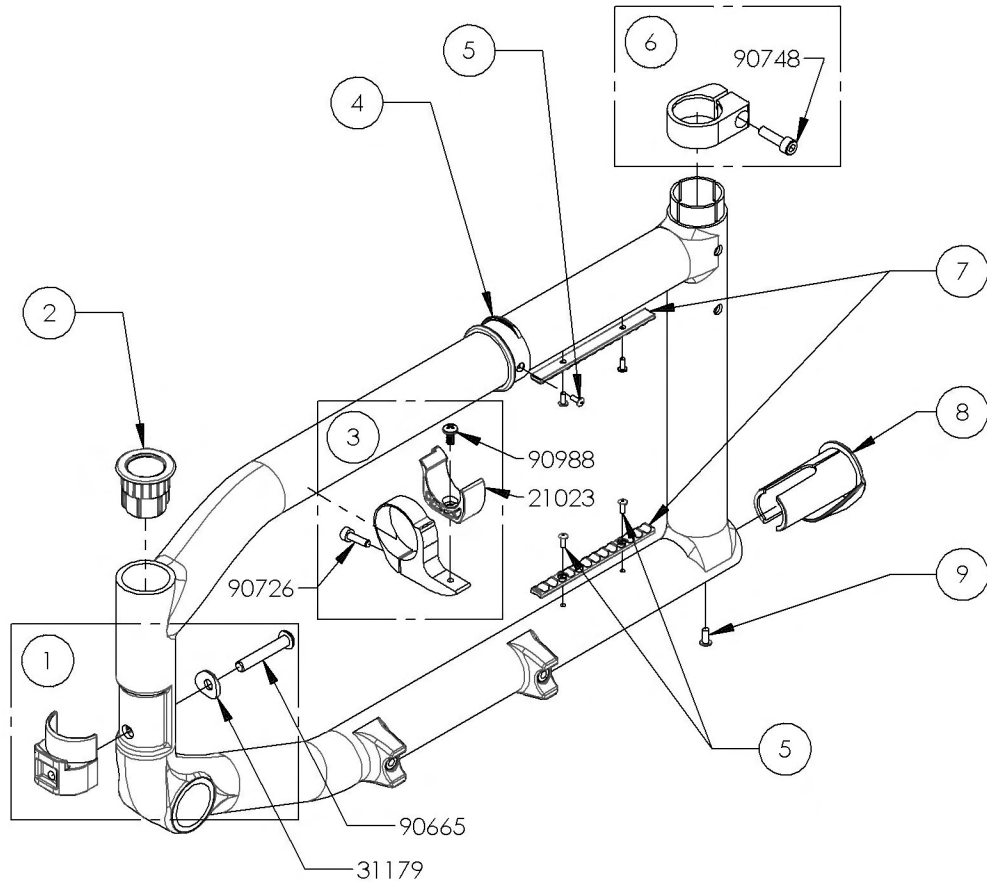


ITEM NO.	PARTNO	DESCRIPTION	QTY.
1	9001046	Frame - Carbon Fiber, Right, 14 in Seat Depth, Regular (Specify Color)	1
2	9001053	Frame - Carbon Fiber, Left, 14 in Seat Depth, Regular (Specify Color)	1
3	9001047	Frame - Carbon Fiber, Right, 15 in Seat Depth, Regular (Specify Color)	1
4	9001054	Frame - Carbon Fiber, Left, 15 in Seat Depth, Regular (Specify Color)	1
5	9001048	Frame - Carbon Fiber, Right, 16 in Seat Depth, Regular (Specify Color)	1
6	9001055	Frame - Carbon Fiber, Left, 16 in Seat Depth, Regular (Specify Color)	1
7	9001049	Frame - Carbon Fiber, Right, 17 in Seat Depth, Regular (Specify Color)	1
8	9001056	Frame - Carbon Fiber, Left, 17 in Seat Depth, Regular (Specify Color)	1
9	9001050	Frame - Carbon Fiber, Right, 18 in Seat Depth, Regular (Specify Color)	1
10	9001057	Frame - Carbon Fiber, Left, 18 in Seat Depth, Regular (Specify Color)	1
11	9001051	Frame - Carbon Fiber, Right, 19 in Seat Depth, Regular (Specify Color)	1
12	9001058	Frame - Carbon Fiber, Left, 19 in Seat Depth, Regular (Specify Color)	1
13	9001052	Frame - Carbon Fiber, Right, 20 in Seat Depth, Regular (Specify Color)	1
14	9001059	Frame - Carbon Fiber, Left, 20 in Seat Depth, Regular (Specify Color)	1
15	9001020	X-Brace - Carbon Fiber, Front, 14 in Width (Specify Seat Depth)	1
16	9001029	X-Brace - Carbon Fiber, Rear, 14 in Width (Specify Seat Depth)	1
17	9001021	X-Brace - Carbon Fiber, Front, 15 in Width (Specify Seat Depth)	1
18	9001030	X-Brace - Carbon Fiber, Rear, 15 in Width (Specify Seat Depth)	1
19	9001022	X-Brace - Carbon Fiber, Front, 16 in Width (Specify Seat Depth)	1
20	9001031	X-Brace - Carbon Fiber, Rear, 16 in Width (Specify Seat Depth)	1
21	9001023	X-Brace - Carbon Fiber, Front, 17 in Width (Specify Seat Depth)	1
22	9001032	X-Brace - Carbon Fiber, Rear, 17 in Width (Specify Seat Depth)	1
23	9001024	X-Brace - Carbon Fiber, Front, 18 in Width (Specify Seat Depth)	1
24	9001033	X-Brace - Carbon Fiber, Rear, 18 in Width (Specify Seat Depth)	1
25	9001025	X-Brace - Carbon Fiber, Front, 19 in Width (Specify Seat Depth)	1
26	9001034	X-Brace - Carbon Fiber, Rear, 19 in Width (Specify Seat Depth)	1
27	9001026	X-Brace - Carbon Fiber, Front, 20 in Width (Specify Seat Depth)	1
28	9001035	X-Brace - Carbon Fiber, Rear, 20 in Width (Specify Seat Depth)	1
29	9001036	X-Brace HD - Carbon Fiber, Front, 18 in Width (Specify Seat Depth)	1
30	9001041	X-Brace HD - Carbon Fiber, Rear, 18 in Width (Specify Seat Depth)	1
31	9001037	X-Brace HD - Carbon Fiber, Front, 19 in Width (Specify Seat Depth)	1
32	9001042	X-Brace HD - Carbon Fiber, Rear, 19 in Width (Specify Seat Depth)	1
33	9001038	X-Brace HD - Carbon Fiber, Front, 20 in Width (Specify Seat Depth)	1
34	9001043	X-Brace HD - Carbon Fiber, Rear, 20 in Width (Specify Seat Depth)	1
35	9001039	X-Brace HD - Carbon Fiber, Front, 21 in Width (Specify Seat Depth)	1
36	9001044	X-Brace HD - Carbon Fiber, Rear, 21 in Width (Specify Seat Depth)	1
37	9001040	X-Brace HD - Carbon Fiber, Front, 22 in Width (Specify Seat Depth)	1
38	9001045	X-Brace HD - Carbon Fiber, Rear, 22 in Width (Specify Seat Depth)	1
39	9001229	X-Brace - Center Shaft	1
40	9001230	X-Brace - Base Shaft	2

MAKE SURE TO HAVE YOUR SERIAL NUMBER
NEARBY WHEN ORDERING PARTS FOR YOUR
MOTION COMPOSITES WHEELCHAIR

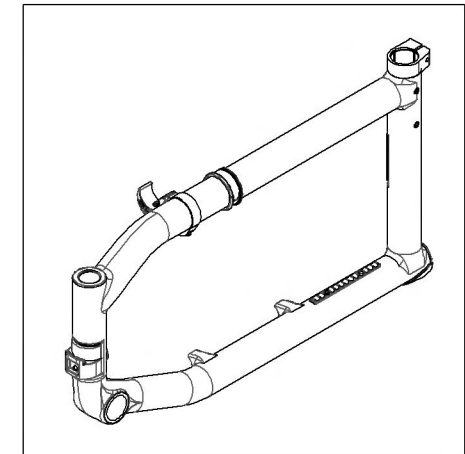
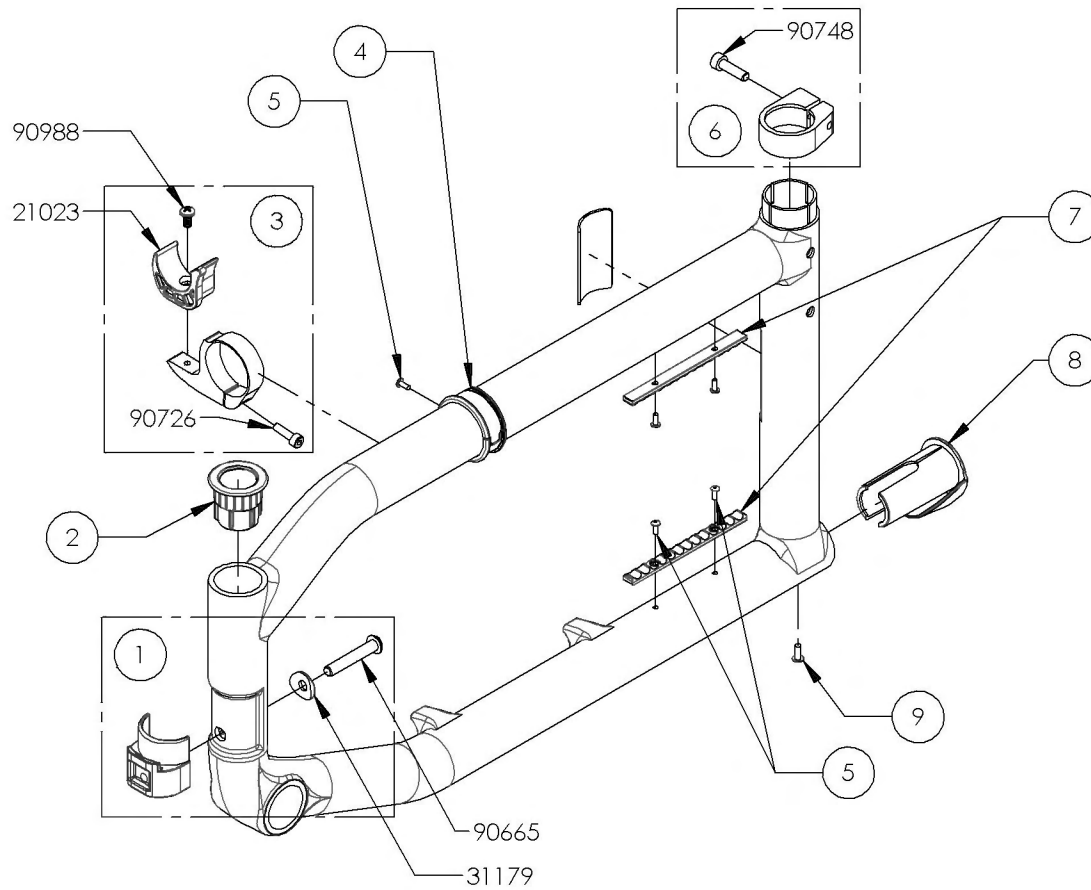
9001046_9001052
Frame - Carbon Fiber, Right (Specify Color)

ITEM NO.	PARTNO	DESCRIPTION	9001046 /QTY.	9001047 /QTY.	9001048 /QTY.	9001049 /QTY.	9001050 /QTY.	9001051 /QTY.	9001052 /QTY.
1	31582	V2 FOOTREST SLEEVE ANCHOR - ASSEMBLY	1	1	1	1	1	1	1
2	11013	FOOTREST PIVOT SLEEVE	1	1	1	1	1	1	1
3	11504	CLAMP H-BLOCK SEAT SUPPORT - ASSEMBLY	1	1	1	1	1	1	1
4	12140	LINK GUIDE	1	1	1	1	1	1	1
5	99660	POP RIVET 3_32 D X .365 L X .126_250	5	5	5	5	5	5	5
6	32530	BACKREST CLAMP RIGHT - ASSEMBLY	1	1	1	1	1	1	1
7	11015	MOUNTING RAIL	2	2	2	2	2	2	2
8	11020	ANTI-TIPPER BUMPER SLEEVE CARBON FRAME	1	1	1	1	1	1	1
9	99661	POP RIVET 1_8 DIA X .328 LGHT (.126_187 GRIP)	1	1	1	1	1	1	1



9001053_9001059
Frame - Carbon Fiber, Left (Specify Color)

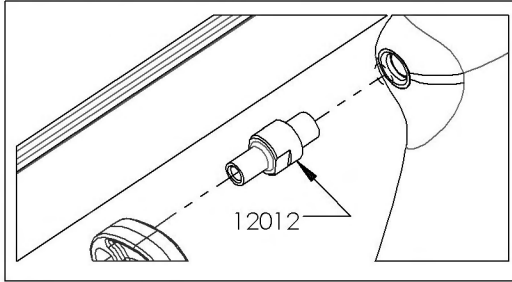
ITEM NO.	PARTNO	DESCRIPTION	9001053 /QTY.	9001054 /QTY.	9001055 /QTY.	9001056 /QTY.	9001057 /QTY.	9001058 /QTY.	9001059 /QTY.
1	31582	V2 FOOTREST SLEEVE ANCHOR - ASSEMBLY	1	1	1	1	1	1	1
2	11013	FOOTREST PIVOT SLEEVE	1	1	1	1	1	1	1
3	11504	CLAMP H-BLOCK SEAT SUPPORT - ASSEMBLY	1	1	1	1	1	1	1
4	12140	LINK GUIDE	1	1	1	1	1	1	1
5	99660	POP RIVET 3_32 D X .365 L X .126_250	5	5	5	5	5	5	5
6	32531	BACKREST CLAMP LEFT - ASSEMBLY	1	1	1	1	1	1	1
7	11015	MOUNTING RAIL	2	2	2	2	2	2	2
8	11020	ANTI-TIPPER BUMPER SLEEVE CARBON FRAME	1	1	1	1	1	1	1
9	99661	POP RIVET 1_8 DIA X .328 LGHT (.126_187 GRIP)	1	1	1	1	1	1	1



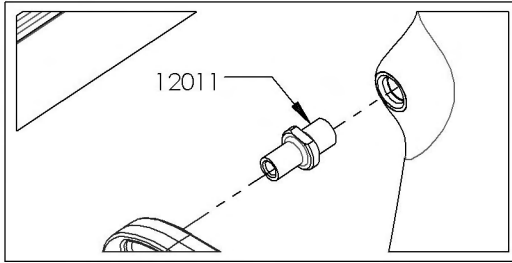
9001018_9001026

X-Brace - Carbon Fiber, Front (Specify Seat Depth)

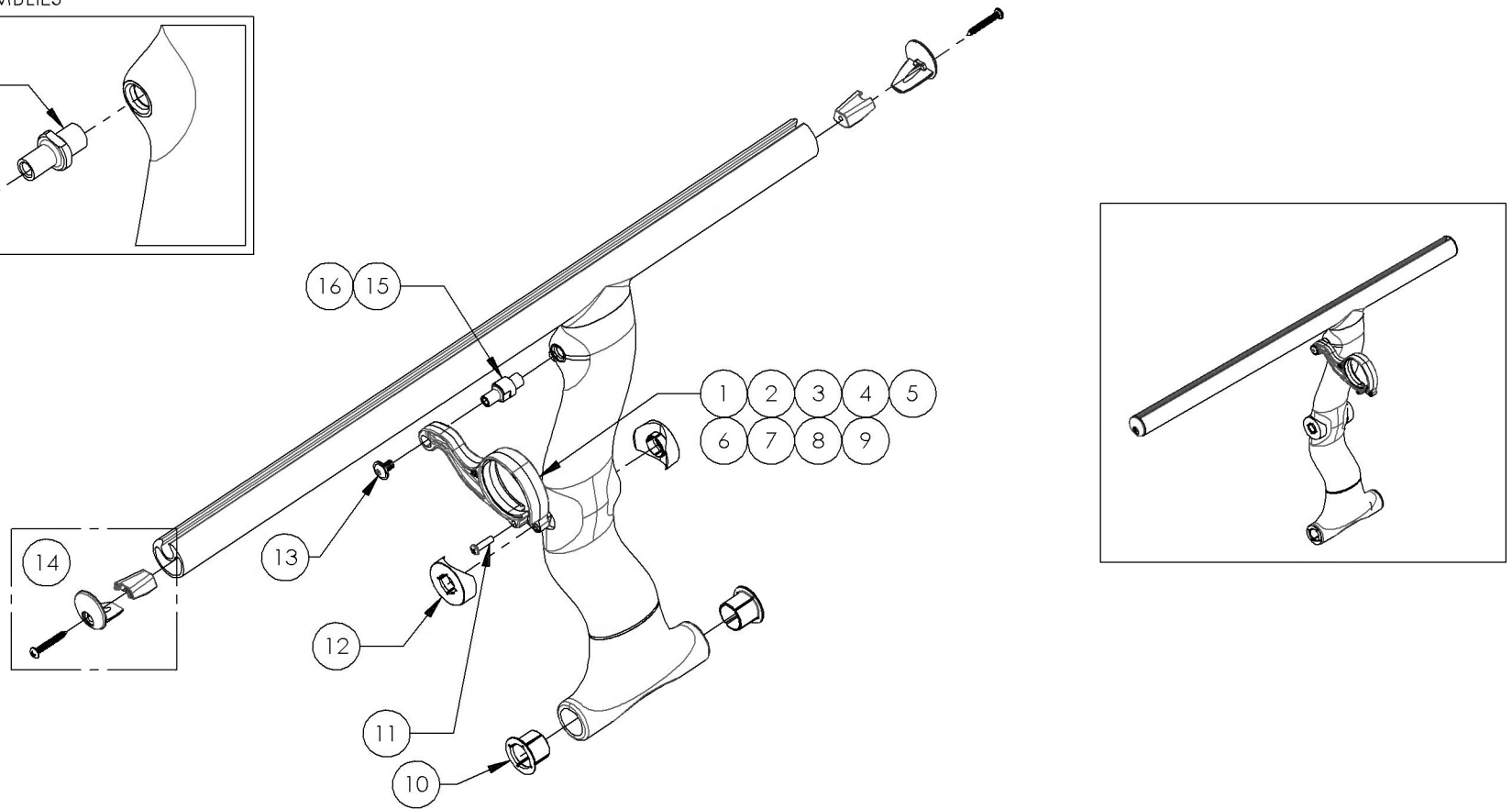
LINK STUD INCLUDED WITH THE 12" TO 16" ASSEMBLIES



LINK STUD INCLUDED WITH THE 17" TO 20" ASSEMBLIES

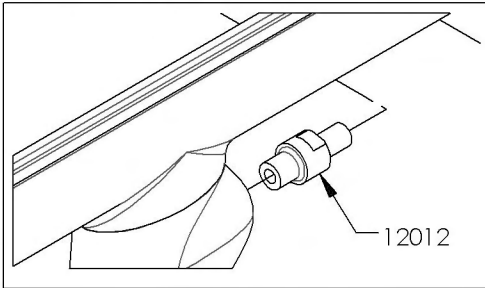


ITEM NO.	PARTNO	DESCRIPTION	9001018 /QTY.	9001019 /QTY.	9001020 /QTY.	9001021 /QTY.	9001022 /QTY.	9001023 /QTY.	9001024 /QTY.	9001025 /QTY.	9001026 /QTY.	REPLACEMENT PARTS/QTY.
1	12152	12in A7_C2 LINK	1	-	-	-	-	-	-	-	-	-
2	12153	13in A7_C2 LINK	-	1	-	-	-	-	-	-	-	-
3	12154	14in A7_C2 LINK	-	-	1	-	-	-	-	-	-	-
4	12155	15in A7_C2 LINK	-	-	-	1	-	-	-	-	-	-
5	12156	16in A7_C2 LINK	-	-	-	-	1	-	-	-	-	-
6	12157	17in A7_C2 LINK	-	-	-	-	-	1	-	-	-	-
7	12158	18in A7_C2 LINK	-	-	-	-	-	-	1	-	-	-
8	12159	19in A7_C2 LINK	-	-	-	-	-	-	-	1	-	-
9	12160	20in A7_C2 LINK	-	-	-	-	-	-	-	-	1	-
10	12006	C2 XBRACE BASE PIVOT SLEEVE V2	2	2	2	2	2	2	2	2	2	-
11	99000	SCREW PHILLIPS PAN HD #6-32 X 1/2	1	1	1	1	1	1	1	1	1	-
12	12145	C2 XBRACE CENTER PIVOT SLEEVE	2	2	2	2	2	2	2	2	2	-
13	91009	FLANGE BUTTON HEAD CAP SCREW, M5X.8 X 8mm	1	1	1	1	1	1	1	1	1	-
14	12013	CARBON SLOTTED SEAT TUBE PLUG	2	2	2	2	2	2	2	2	2	-
15	12012	LINK STUD 12-16" CARBON C2 XBRACE	-	-	-	-	-	-	-	-	-	1
16	12011	LINK STUD 17-22" CARBON C2 XBRACE	-	-	-	-	-	-	-	-	-	1

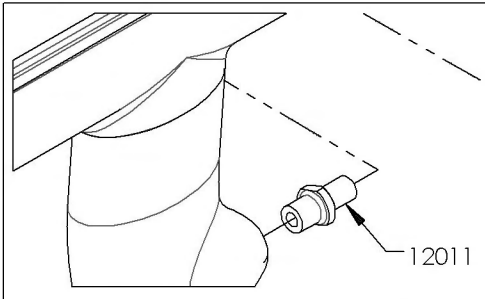


9001027_9001035
X-Brace - Carbon Fiber, Rear (Specify Seat Depth)

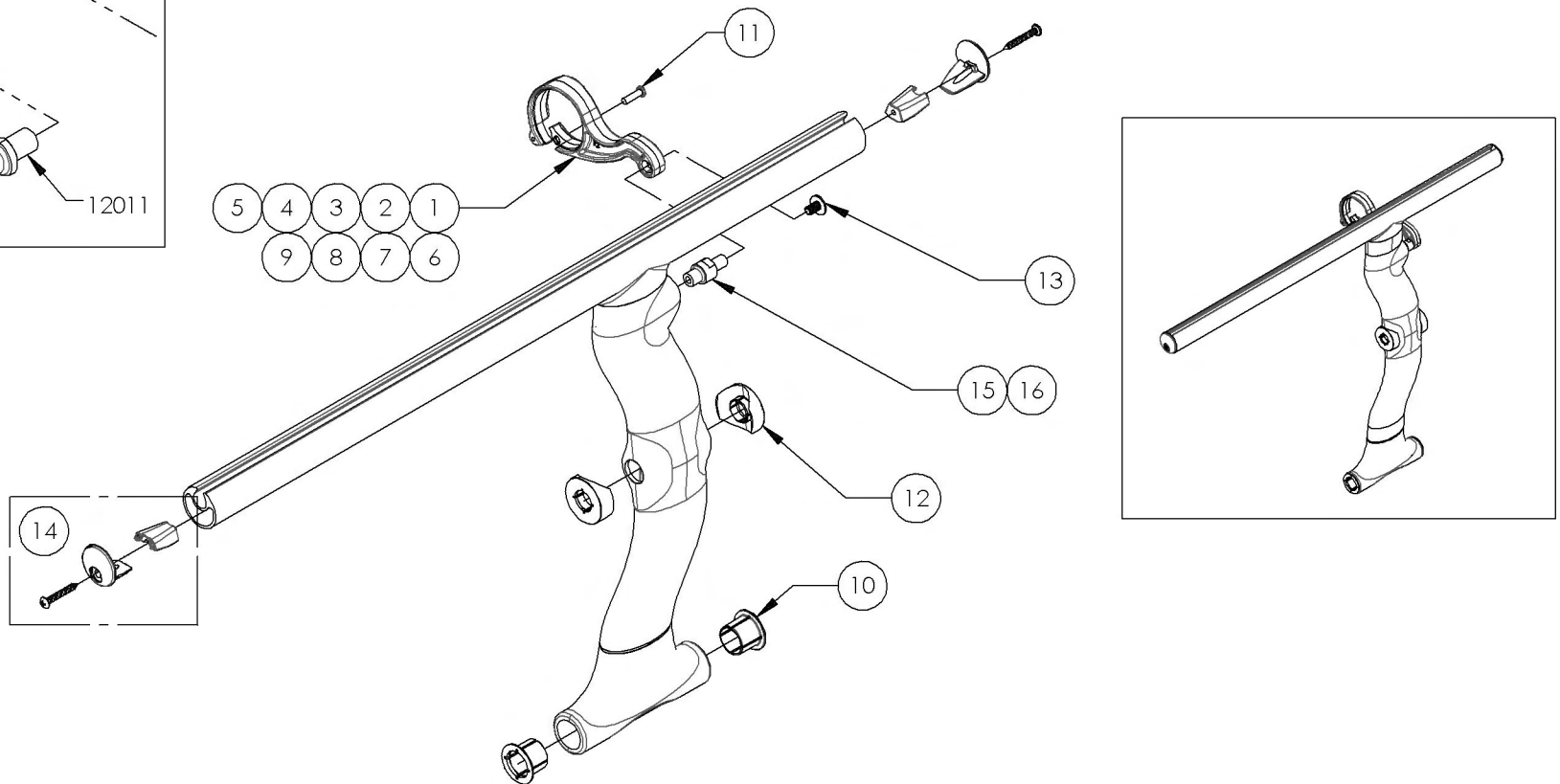
LINK STUD INCLUDED WITH THE 12" TO 16" ASSEMBLIES



LINK STUD INCLUDED WITH THE 17" TO 20" ASSEMBLIES

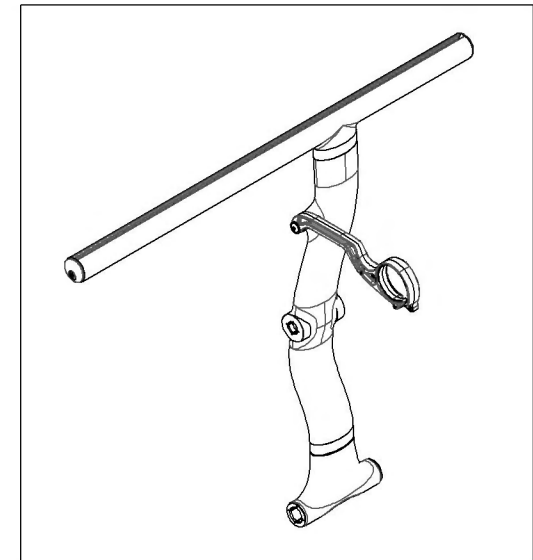
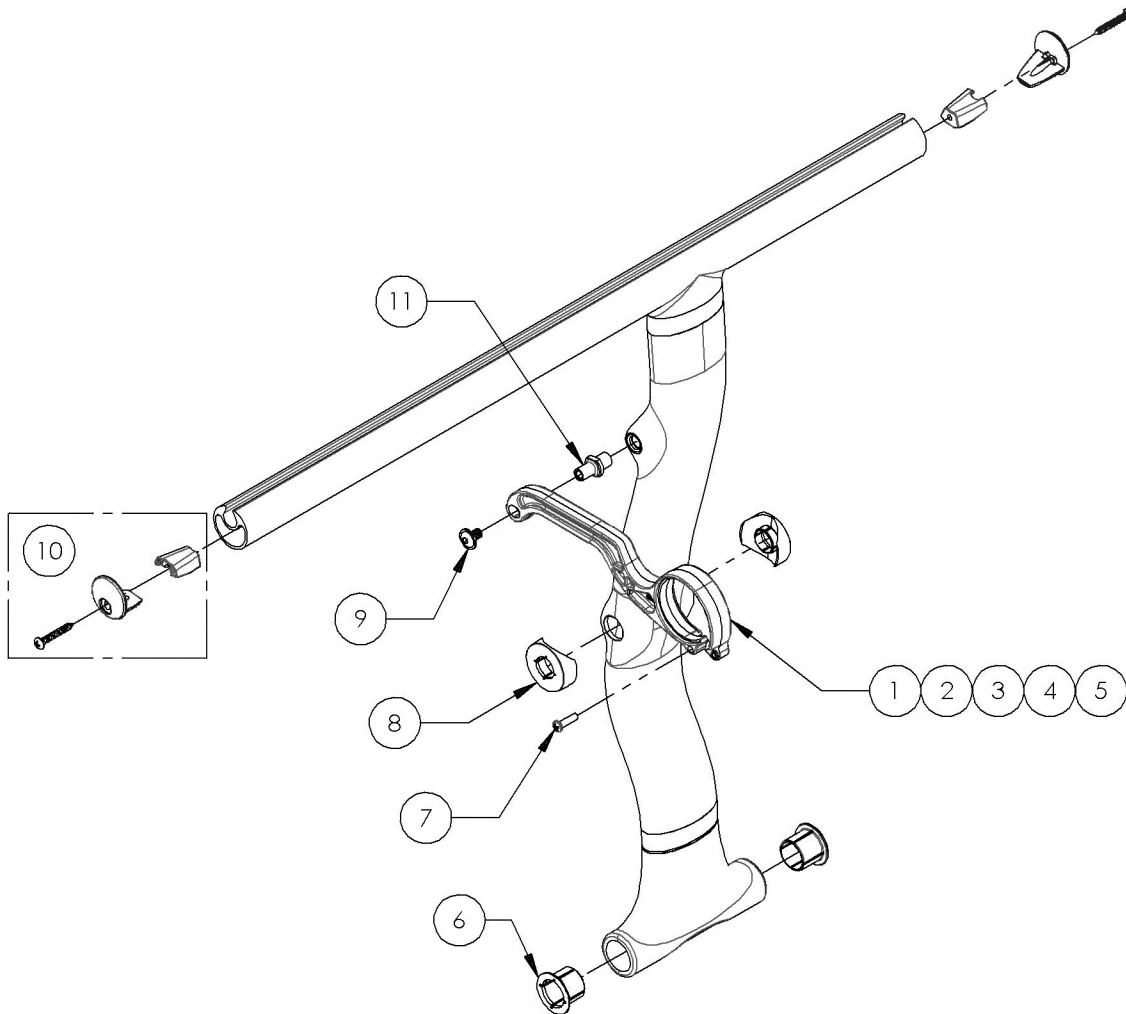


ITEM NO.	PARTNO	DESCRIPTION	9001027 /QTY.	9001028 /QTY.	9001029 /QTY.	9001030 /QTY.	9001031 /QTY.	9001032 /QTY.	9001033 /QTY.	9001034 /QTY.	9001035 /QTY.	REPLACEMENT PARTS/QTY.
1	12152	12in A7_C2 LINK	1	-	-	-	-	-	-	-	-	-
2	12153	13in A7_C2 LINK	-	1	-	-	-	-	-	-	-	-
3	12154	14in A7_C2 LINK	-	-	1	-	-	-	-	-	-	-
4	12155	15in A7_C2 LINK	-	-	-	1	-	-	-	-	-	-
5	12156	16in A7_C2 LINK	-	-	-	-	1	-	-	-	-	-
6	12157	17in A7_C2 LINK	-	-	-	-	-	1	-	-	-	-
7	12158	18in A7_C2 LINK	-	-	-	-	-	-	1	-	-	-
8	12159	19in A7_C2 LINK	-	-	-	-	-	-	-	1	-	-
9	12160	20in A7_C2 LINK	-	-	-	-	-	-	-	-	1	-
10	12006	C2 XBRACE BASE PIVOT SLEEVE V2	2	2	2	2	2	2	2	2	2	-
11	99000	SCREW PHILLIPS PAN HD #6-32 X 1/2	1	1	1	1	1	1	1	1	1	-
12	12145	C2 XBRACE CENTER PIVOT SLEEVE	2	2	2	2	2	2	2	2	2	-
13	91009	FLANGE BUTTON HEAD CAP SCREW, MSX.8 X 8mm	1	1	1	1	1	1	1	1	1	-
14	12013	CARBON SLOTTED SEAT TUBE PLUG	2	2	2	2	2	2	2	2	2	-
15	12012	LINK STUD 12-16" CARBON C2 XBRACE	-	-	-	-	-	-	-	-	-	1
16	12011	LINK STUD 17-22" CARBON C2 XBRACE	-	-	-	-	-	-	-	-	-	1



9001036 9001040
X-Brace HD - Carbon Fiber, Front (Specify Seat Depth)

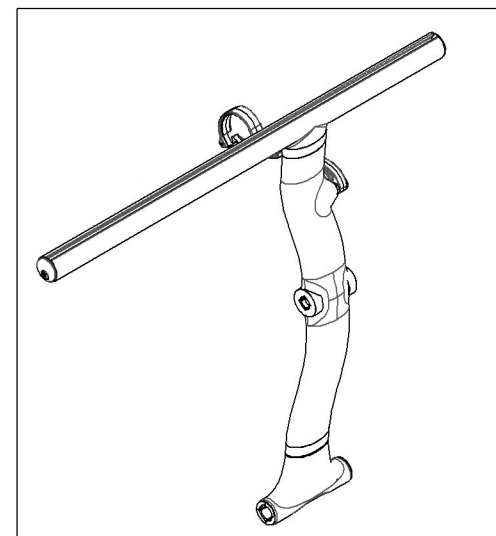
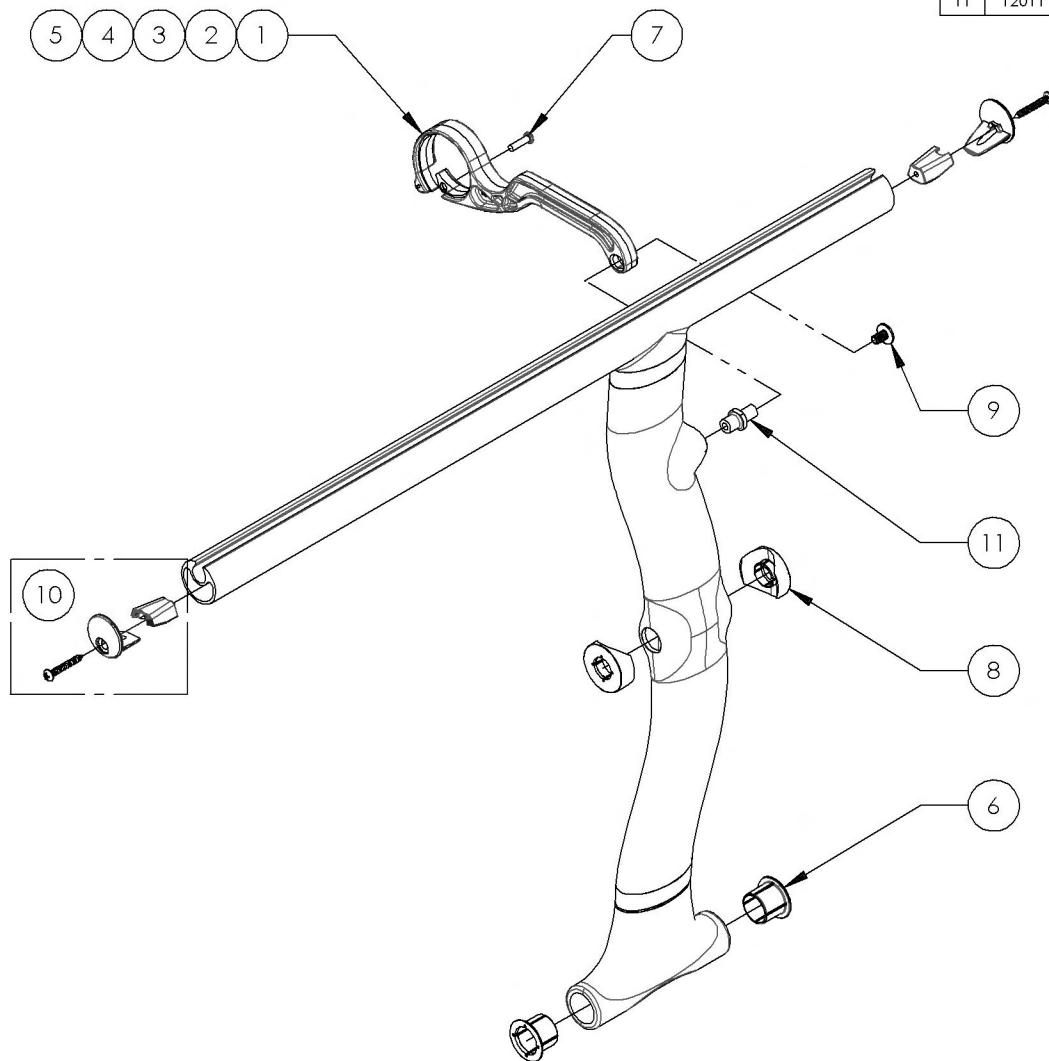
ITEM NO.	PARTNO	DESCRIPTION	9001036 /QTY.	9001037 /QTY.	9001038 /QTY.	9001039 /QTY.	9001040 /QTY.	REPLACEMENT PARTS/QTY.
1	12158	18in A7_C2 LINK	1	-	-	-	-	-
2	12159	19in A7_C2 LINK	-	1	-	-	-	-
3	12160	20in A7_C2 LINK	-	-	1	-	-	-
4	12161	21in A7_C2 LINK	-	-	-	1	-	-
5	12162	22in A7_C2 LINK	-	-	-	-	1	-
6	12006	C2 XBRACE BASE PIVOT SLEEVE V2	2	2	2	2	2	-
7	99000	SCREW PHILLIPS PAN HD #6-32 X 1/2	1	1	1	1	1	-
8	12145	C2 XBRACE CENTER PIVOT SLEEVE	2	2	2	2	2	-
9	91009	FLANGE BUTTON HEAD CAP SCREW, M5X.8 X 8mm	1	1	1	1	1	-
10	12013	CARBON SLOTTED SEAT TUBE PLUG	2	2	2	2	2	-
11	12011	LINK STUD 17-22" CARBON C2 XBRACE	-	-	-	-	-	1



9001041_9001045

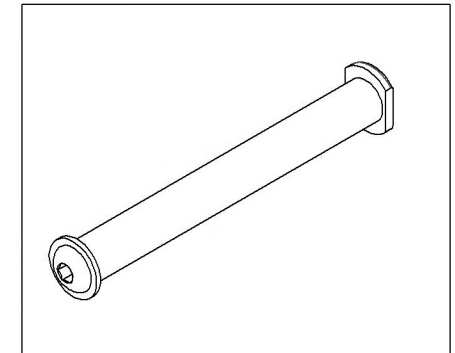
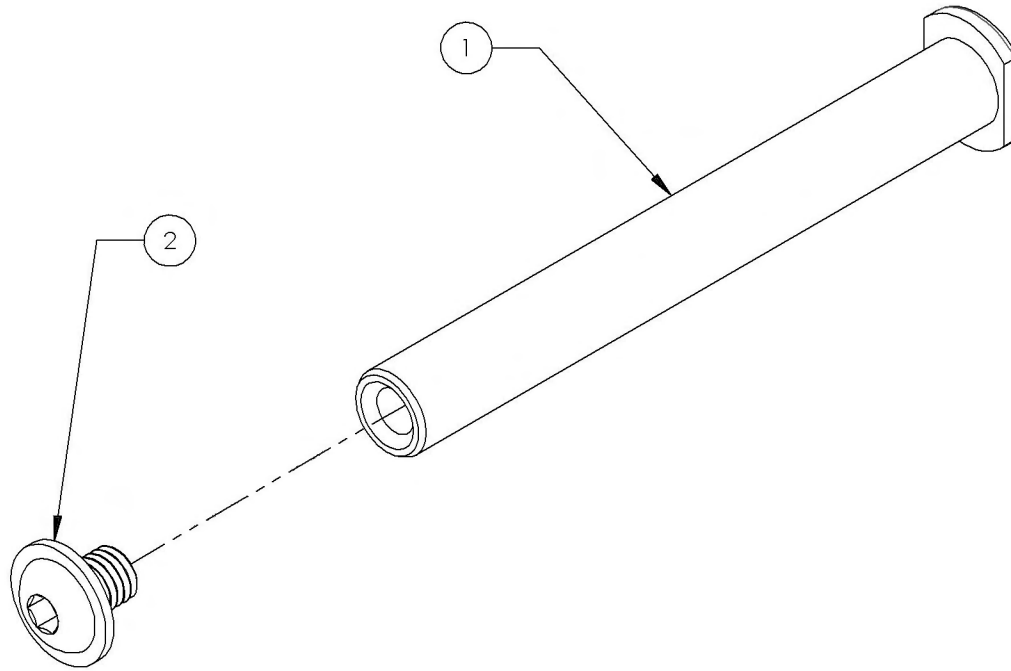
X-Brace HD - Carbon Fiber, Rear (Specify Seat Depth)

ITEM NO.	PARTNO	DESCRIPTION	9001041 /QTY.	9001042 /QTY.	9001043 /QTY.	9001044 /QTY.	9001045 /QTY.	REPLACEMENT PARTS/QTY.
1	12158	18in A7_C2 LINK	1	-	-	-	-	-
2	12159	19in A7_C2 LINK	-	1	-	-	-	-
3	12160	20in A7_C2 LINK	-	-	1	-	-	-
4	12161	21in A7_C2 LINK	-	-	-	1	-	-
5	12162	22in A7_C2 LINK	-	-	-	-	1	-
6	12006	C2 XBRACE BASE PIVOT SLEEVE V2	2	2	2	2	2	-
7	99000	SCREW PHILLIPS PAN HD #6-32 X 1/2	1	1	1	1	1	-
8	12145	C2 XBRACE CENTER PIVOT SLEEVE	2	2	2	2	2	-
9	91009	FLANGE BUTTON HEAD CAP SCREW, M5X.8 X 8mm	1	1	1	1	1	-
10	12013	CARBON SLOTTED SEAT TUBE PLUG	2	2	2	2	2	-
11	12011	LINK STUD 17-22" CARBON C2 XBRACE	-	-	-	-	-	1



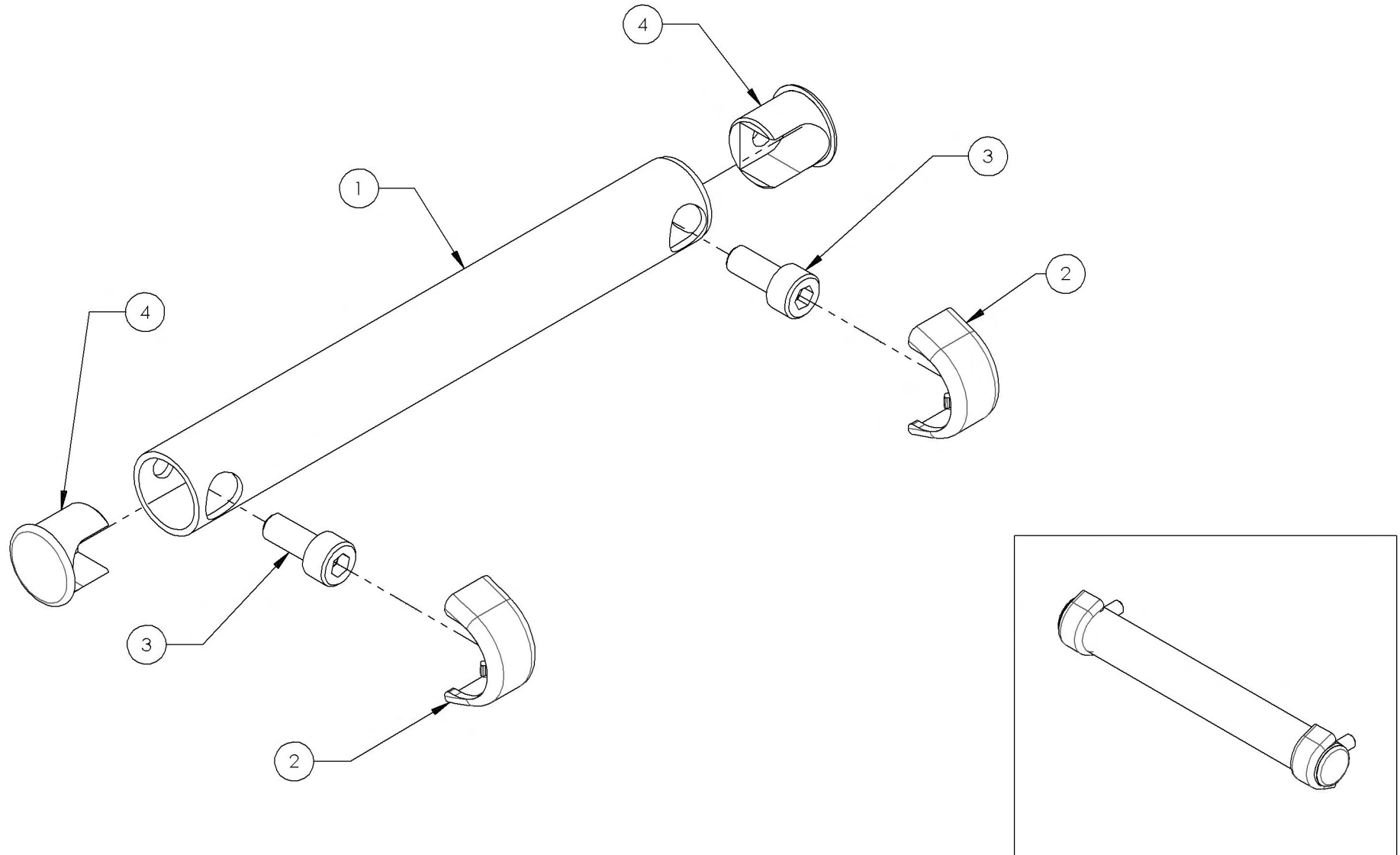
9001229
X-Brace - Center Shaft

ITEM NO.	PARTNO	DESCRIPTION	9001229 /QTY.
1	12142	C2 XBRACE CENTER SHAFT	1
2	90994	FLANGE BUTTON HEAD CAP SCREW, M8X.8 X 10mm	1

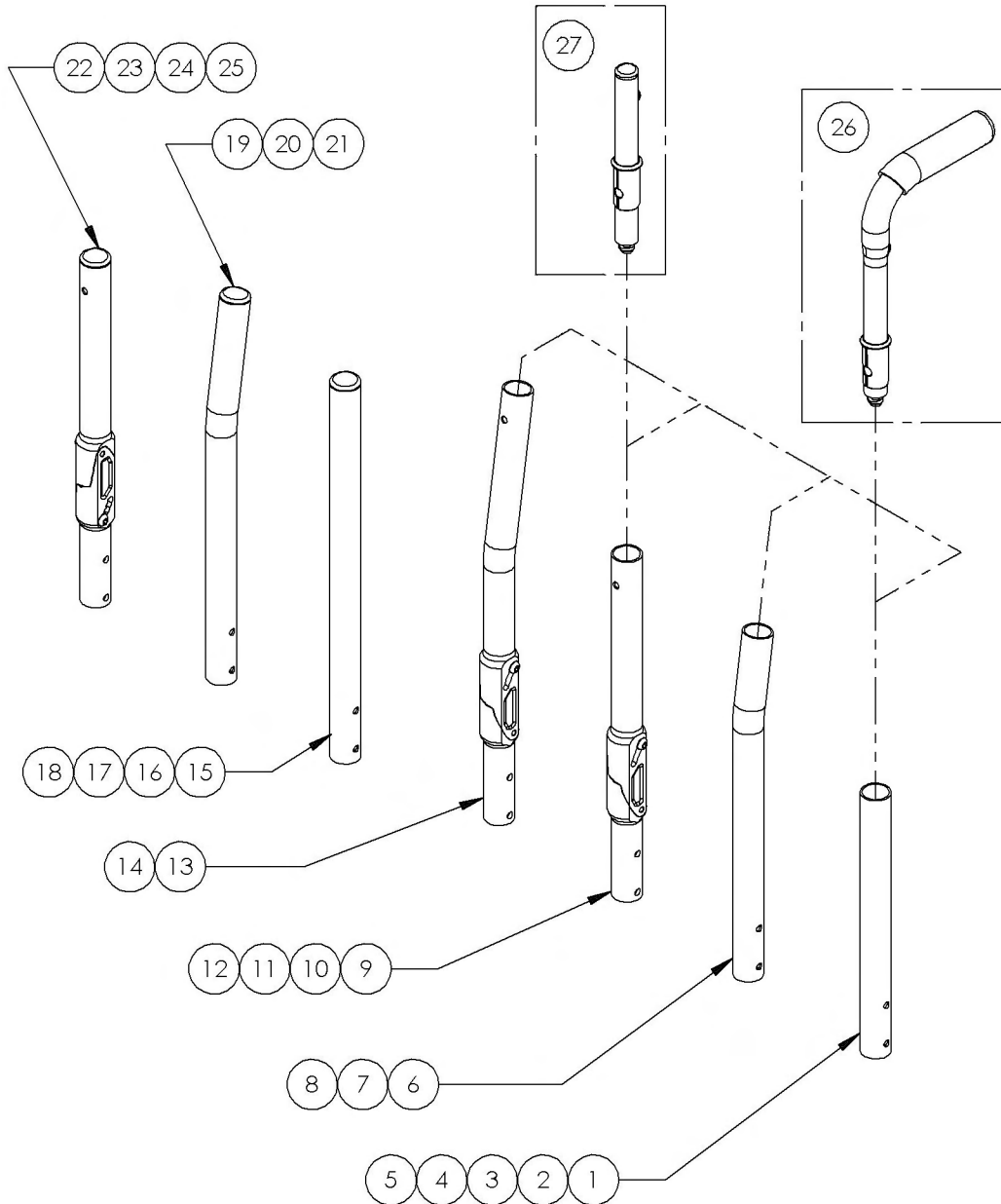


9001230
X-Brace - Base Shaft

ITEM NO.	PARTNO	DESCRIPTION	9001230 /QTY.
1	12143	C2 XBRACE BASE SHAFT	1
2	12149	C2 XBRACE BASE PIVOT SHAFT PLASTIC CAP	2
3	90744	SOCKET CAP SCREW M5X0.8 X 12mm LONG, FULLY THREADED	2
4	12150	C2 XBRACE BASE PIVOT SHAFT ALU PLUG	2



**Backrests Catalogue
Carbon Back Canes**



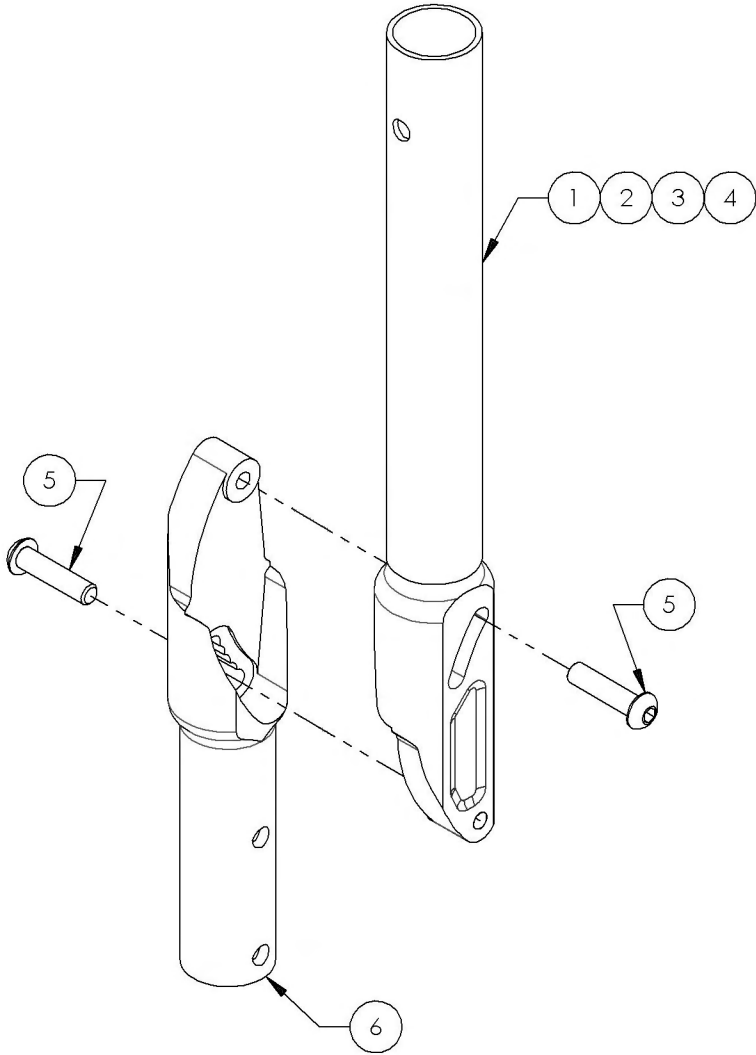
ITEM NO.	PARTNO	DESCRIPTION	QTY
1	9001239	Back Cane - Carbon Fiber, Straight, 9-12 in	1
2	9001240	Back Cane - Carbon Fiber, Straight, 12-15 in	1
3	9001241	Back Cane - Carbon Fiber, Straight, 15-18 in	1
4	9001242	Back Cane - Carbon Fiber, Straight, 18-21 in	1
5	9001243	Back Cane - Carbon Fiber, Straight, 21- 24 in	1
6	9001244	Back Cane - Carbon Fiber, 8° bend, 13¼-15 in	1
7	9001245	Back Cane - Carbon Fiber, 8° bend, 15-18 in	1
8	9001246	Back Cane - Carbon Fiber, 8° bend, 18-21 in	1
9	9001247	Back Cane - Carbon Fiber, Angle adjustable, Straight, 12-15 in	1
10	9001248	Back Cane - Carbon Fiber, Angle adjustable, Straight, 15-18 in	1
11	9001249	Back Cane - Carbon Fiber, Angle adjustable, Straight, 18-21 in	1
12	9001250	Back Cane - Carbon Fiber, Angle adjustable, Straight, 21-24 in	1
13	9001251	Back Cane - Carbon Fiber, Angle adjustable, 8° bend, 15-18 in	1
14	9001252	Back Cane - Carbon Fiber, Angle adjustable, 8° bend, 18-21 in	1
15	9001253	Back Cane - Carbon Fiber, Straight, Fixed 12 in	1
16	9001254	Back Cane - Carbon Fiber, Straight, Fixed 15 in	1
17	9001255	Back Cane - Carbon Fiber, Straight, Fixed 18 in	1
18	9001256	Back Cane - Carbon Fiber, Straight, Fixed 21 in	1
19	9001257	Back Cane - Carbon Fiber, 8° bend, Fixed 13¼ in	1
20	9001258	Back Cane - Carbon Fiber, 8° bend, Fixed 15 in	1
21	9001259	Back Cane - Carbon Fiber, 8° bend, Fixed 18 in	1
22	9001260	Back Cane - Carbon Fiber, Angle adjustable, Fixed 12 in	1
23	9001261	Back Cane - Carbon Fiber, Angle adjustable, Fixed 15 in	1
24	9001262	Back Cane - Carbon Fiber, Angle adjustable, Fixed 18 in	1
25	9001263	Back Cane - Carbon Fiber, Angle adjustable, Fixed 21 in	1
26	9001285	Push Handle	1
27	9001286	Without Push Handle - Straight Extension	1

MAKE SURE TO HAVE YOUR SERIAL NUMBER NEARBY WHEN ORDERING PARTS FOR YOUR MOTION COMPOSITES WHEELCHAIR

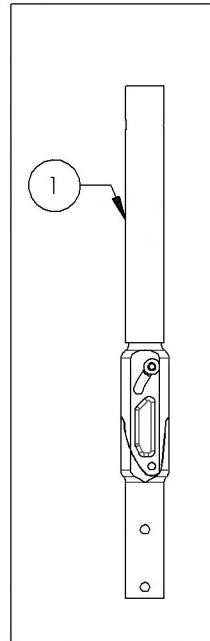
9001247_9001250

Back Cane - Carbon Fiber, Angle adjustable, Straight

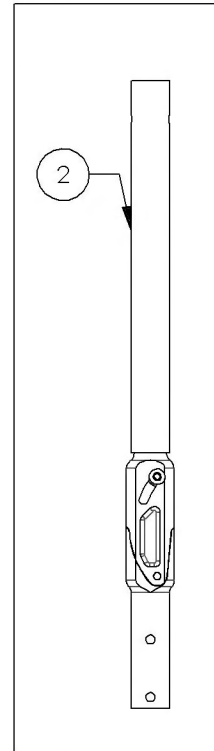
ITEM NO.	PARTNO	DESCRIPTION	9001247 /QTY.	9001248 /QTY.	9001249 /QTY.	9001250 /QTY.
1	32520	CARBON FIBER ADJUSTABLE ANGLE BACK CANE 13.5"-15" (M)	1	-	-	-
2	32521	CARBON FIBER ADJUSTABLE ANGLE BACK CANE 15"-18" (M)	-	1	-	-
3	32522	CARBON FIBER ADJUSTABLE ANGLE BACK CANE 18"-21" (M)	-	-	1	-
4	32527	CARBON FIBER ADJUSTABLE ANGLE BACK CANE 21"-24" (M)	-	-	-	1
5	90663	BUTTON HEAD CAP SCREW M6X1 X 25mm LONG, FULLY THREADED	2	2	2	2
6	32037	LOWER ADJUSTABLE BACKREST (M)	1	1	1	1



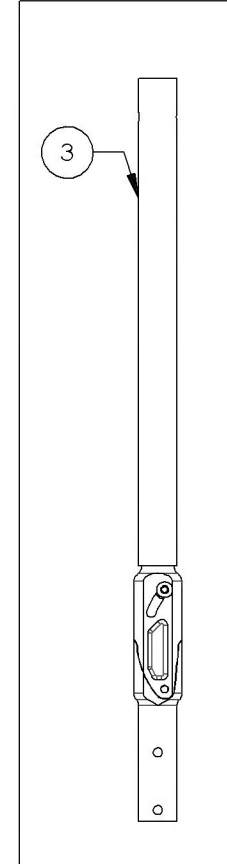
9001247
Back Cane -
Carbon Fiber, Angle
adjustable, Straight,
12-15 in



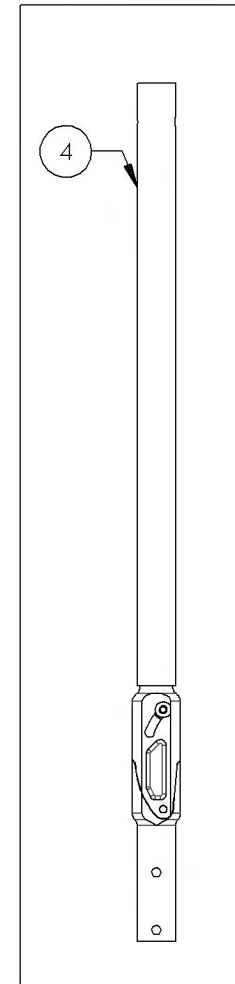
9001248
Back Cane -
Carbon Fiber, Angle
adjustable, Straight,
15-18 in



9001249
Back Cane -
Carbon Fiber,
Angle adjustable,
Straight, 18-21 in



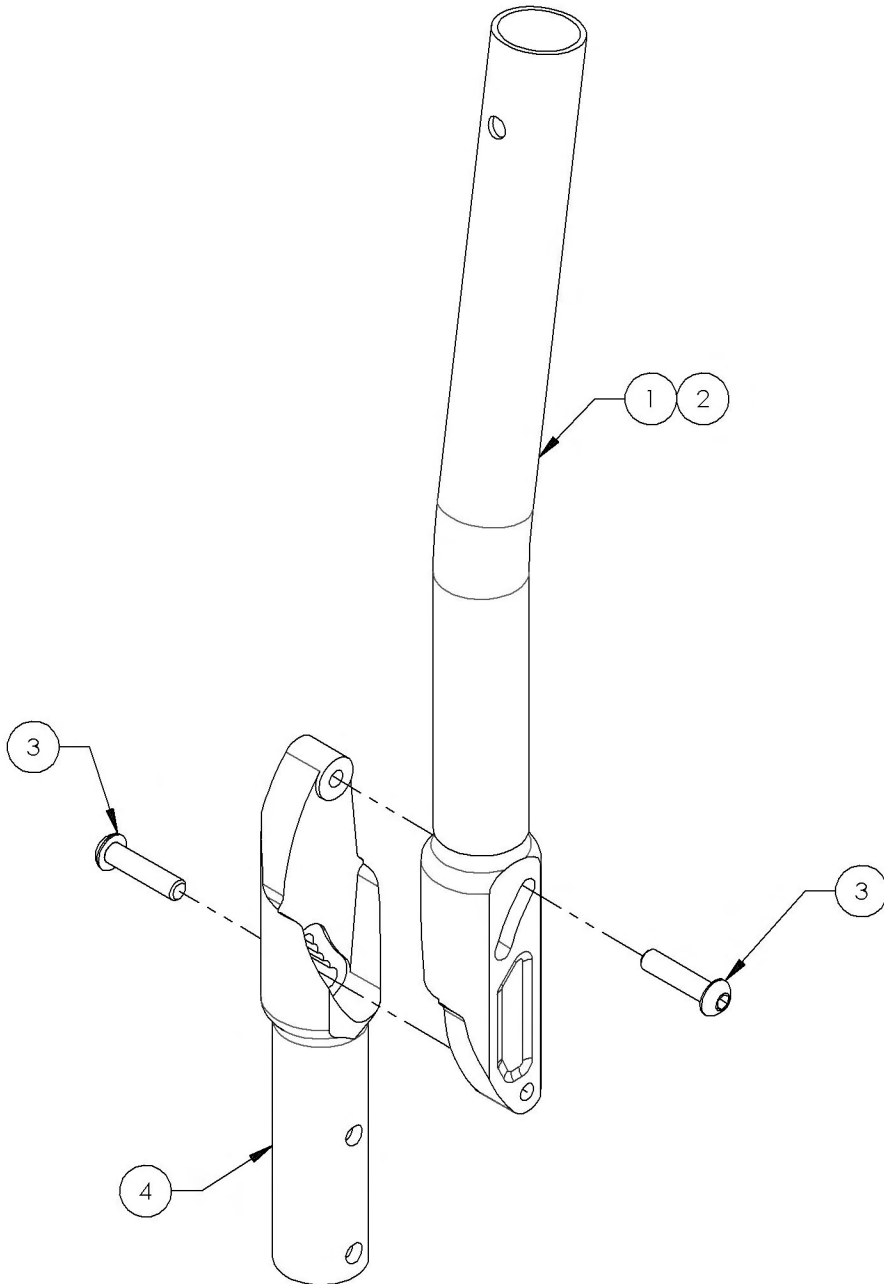
9001250
Back Cane -
Carbon Fiber, Angle
adjustable, Straight,
21-24 in



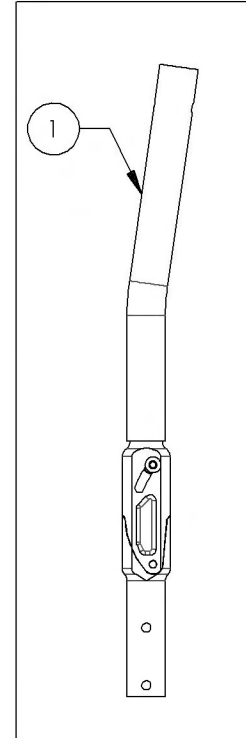
9001251_9001252

Back Cane - Carbon Fiber, Angle adjustable, 8° bend

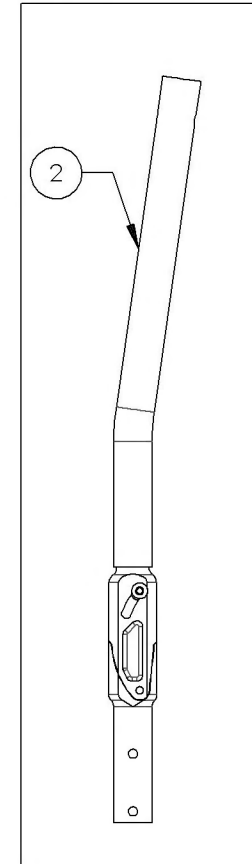
ITEM NO.	PARTNO	DESCRIPTION	9001251 /QTY.	9001252 /QTY.
1	32524	CARBON FIBER ADJUSTABLE ANGLE 8° BEND BACK CANE 15"-18" (M)	1	-
2	32525	CARBON FIBER ADJUSTABLE ANGLE 8° BEND BACK CANE 18"-21" (M)	-	1
3	90663	BUTTON HEAD CAP SCREW M6X1 X 25mm LONG, FULLY THREADED	2	2
4	32037	LOWER ADJUSTABLE BACKREST (M)	1	1



9001251
Back Cane - Carbon
Fiber, Angle
adjustable, 8° bend,
15-18 in



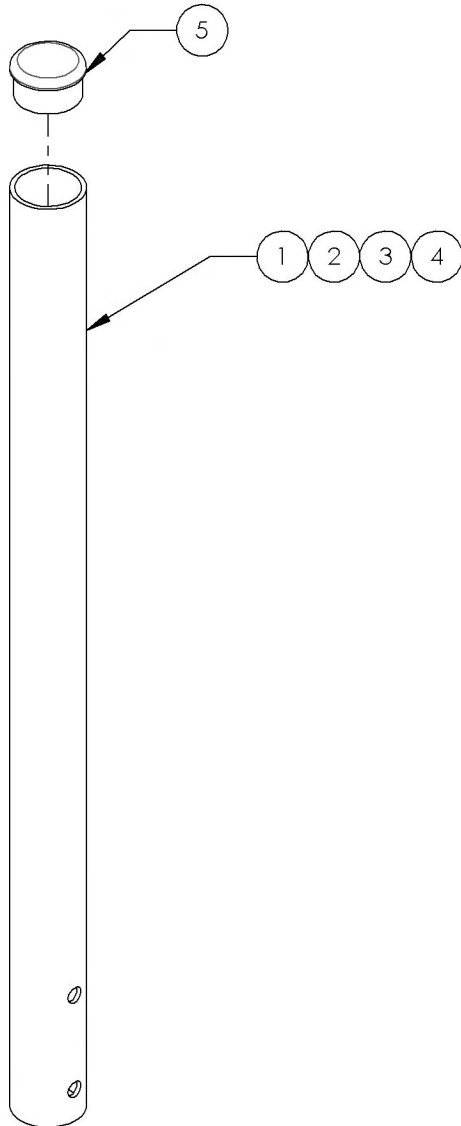
9001252
Back Cane - Carbon
Fiber, Angle
adjustable, 8° bend,
18-21 in



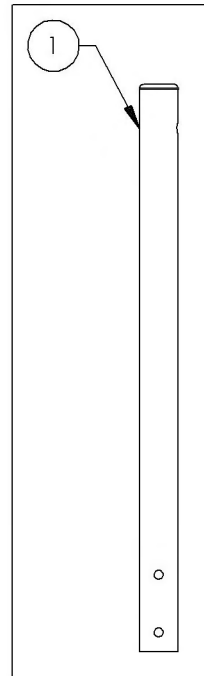
9001253_9001256

Back Cane - Carbon Fiber, Straight, Fixed Height

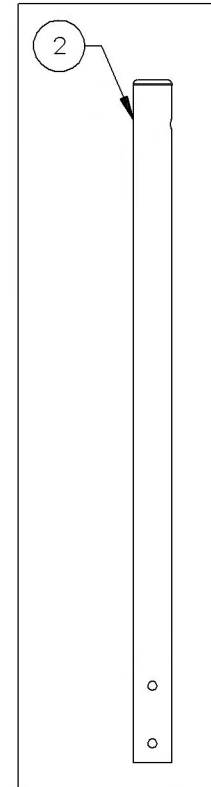
ITEM NO.	PARTNO	DESCRIPTION	9001253 /QTY.	9001254 /QTY.	9001255 /QTY.	9001256 /QTY.
1	32039	CARBON STRAIGHT BACK CANE 12" NO PUSH HANDLE (M)	1	-	-	-
2	32040	CARBON STRAIGHT BACK CANE 15" NO PUSH HANDLE (M)	-	1	-	-
3	32041	CARBON STRAIGHT BACK CANE 18" NO PUSH HANDLE (M)	-	-	1	-
4	32042	CARBON STRAIGHT BACK CANE 21" NO PUSH HANDLE (M)	-	-	-	1
5	99704	CAP 1 IN CARBON	1	1	1	1



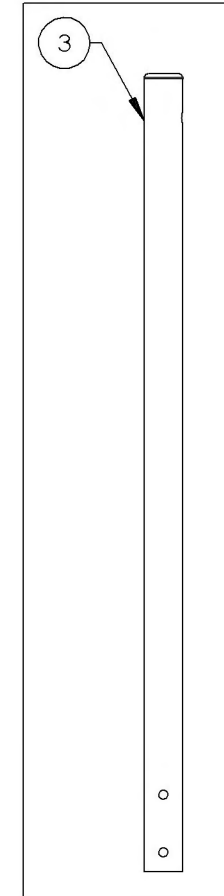
9001253
Back Cane - Carbon
Fiber, Straight, Fixed
12 in



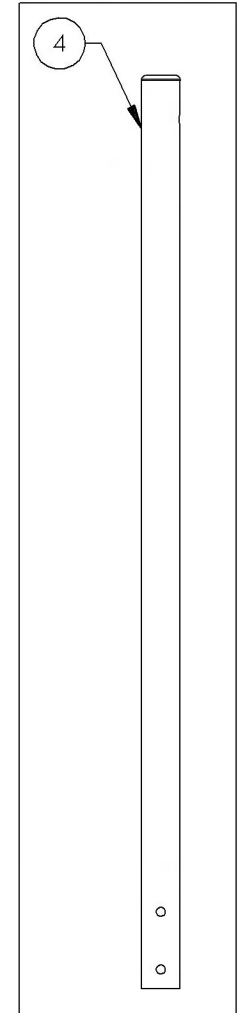
9001254
Back Cane - Carbon
Fiber, Straight, Fixed
15 in



9001255
Back Cane -
Carbon Fiber,
Straight, Fixed 18 in



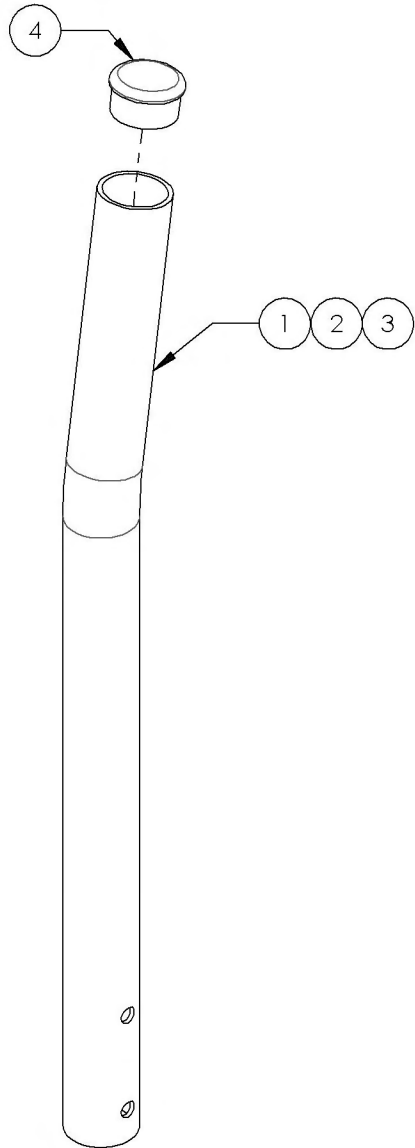
9001256
Back Cane -
Carbon Fiber,
Straight, Fixed 21 in



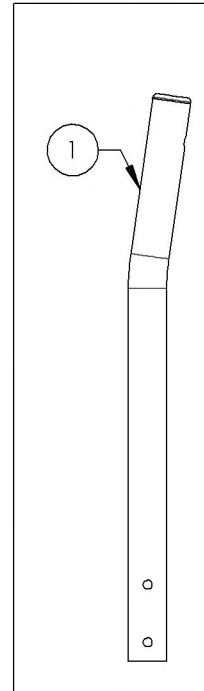
9001257_9001259

Back Cane - Carbon Fiber, 8° bend, Fixed Height

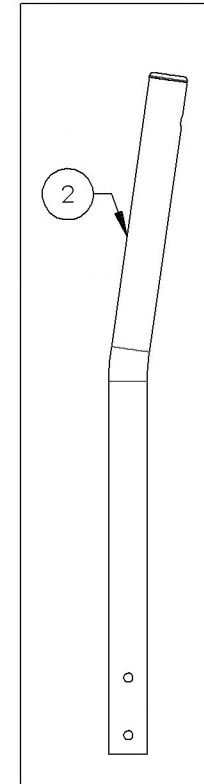
ITEM NO.	PARTNO	DESCRIPTION	9001257 /QTY.	9001258 /QTY.	9001259 /QTY.
1	32043	CARBON 8° BEND BACK CANE 13½" NO PUSH HANDLE (M)	1	-	-
2	32044	CARBON 8° BEND BACK CANE 15" NO PUSH HANDLE (M)	-	1	-
3	32045	CARBON 8° BEND BACK CANE 18" NO PUSH HANDLE (M)	-	-	1
4	99704	CAP 1 IN CARBON	1	1	1



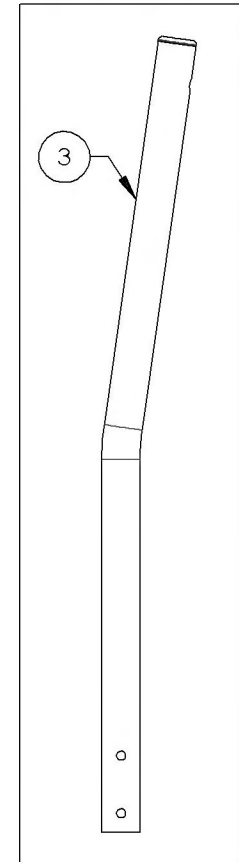
9001257
Back Cane -
Carbon Fiber, 8°
bend, Fixed 13½ in



9001258
Back Cane -
Carbon Fiber, 8°
bend, Fixed 15 in



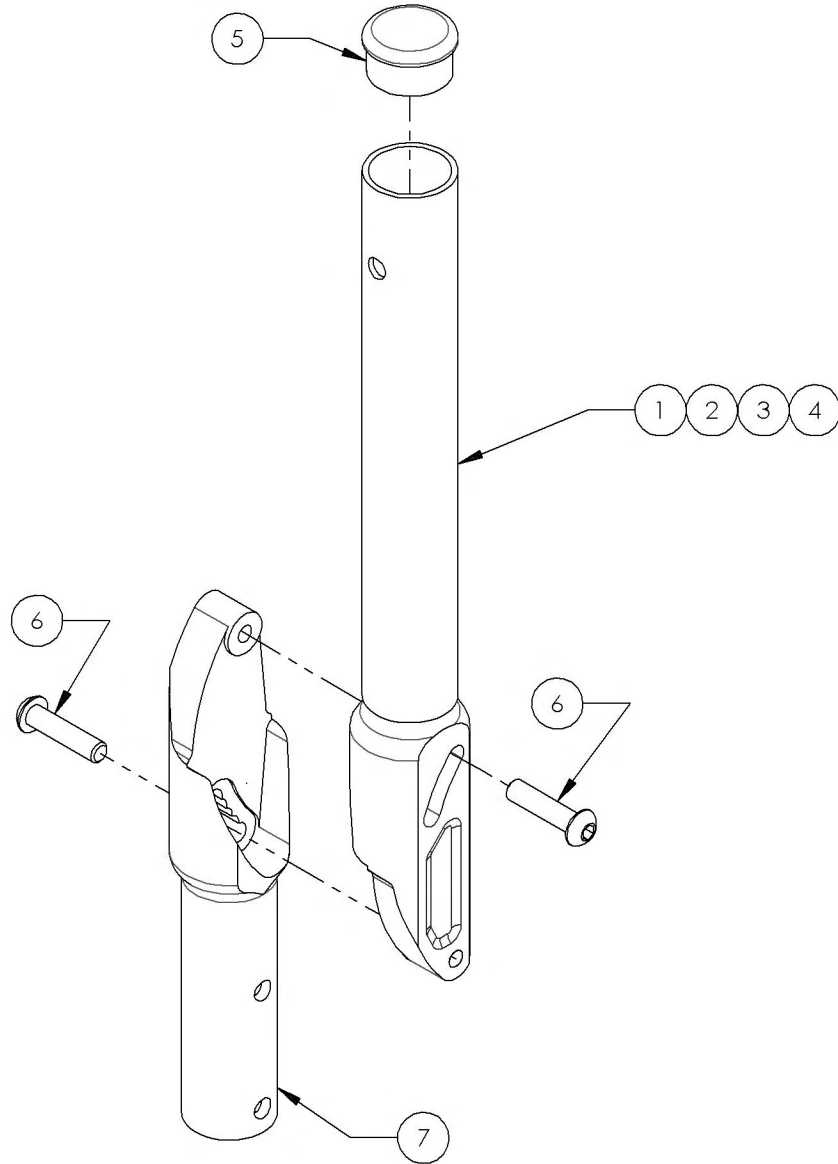
9001259
Back Cane -
Carbon Fiber, 8°
bend, Fixed 18 in



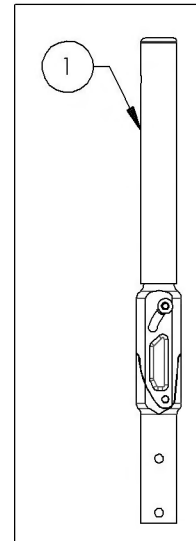
9001260_9001263

Back Cane - Carbon Fiber, Angle adjustable, Fixed Height

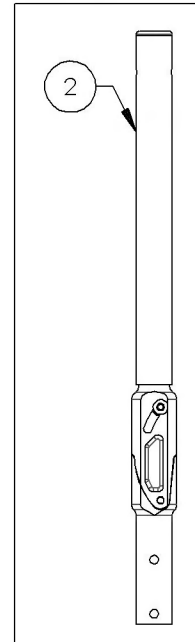
ITEM NO.	PARTNO	DESCRIPTION	9001260 /QTY.	9001261 /QTY.	9001262 /QTY.	9001263 /QTY.
1	32520	CARBON FIBER ADJUSTABLE ANGLE BACK CANE 13.5"-15" (M)	1	-	-	-
2	32521	CARBON FIBER ADJUSTABLE ANGLE BACK CANE 15"-18" (M)	-	1	-	-
3	32522	CARBON FIBER ADJUSTABLE ANGLE BACK CANE 18"-21" (M)	-	-	1	-
4	32527	CARBON FIBER ADJUSTABLE ANGLE BACK CANE 21"-24" (M)	-	-	-	1
5	99704	CAP 1 IN CARBON	1	1	1	1
6	90663	BUTTON HEAD CAP SCREW M6X1 X 25mm LONG, FULLY THREADED	2	2	2	2
7	32037	LOWER ADJUSTABLE BACKREST (M)	1	1	1	1



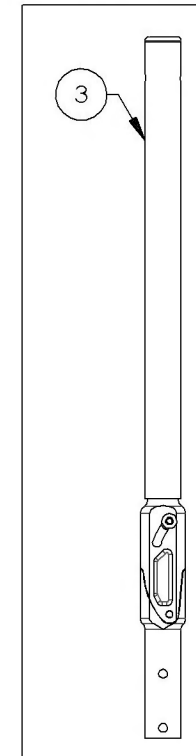
9001260
Back Cane -
Carbon Fiber,
Angle adjustable,
Fixed 12 in



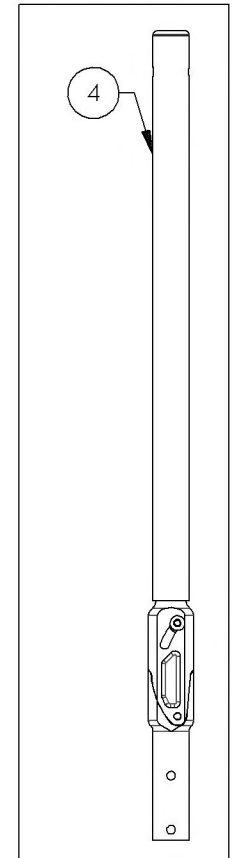
9001261
Back Cane -
Carbon Fiber,
Angle adjustable,
Fixed 15 in



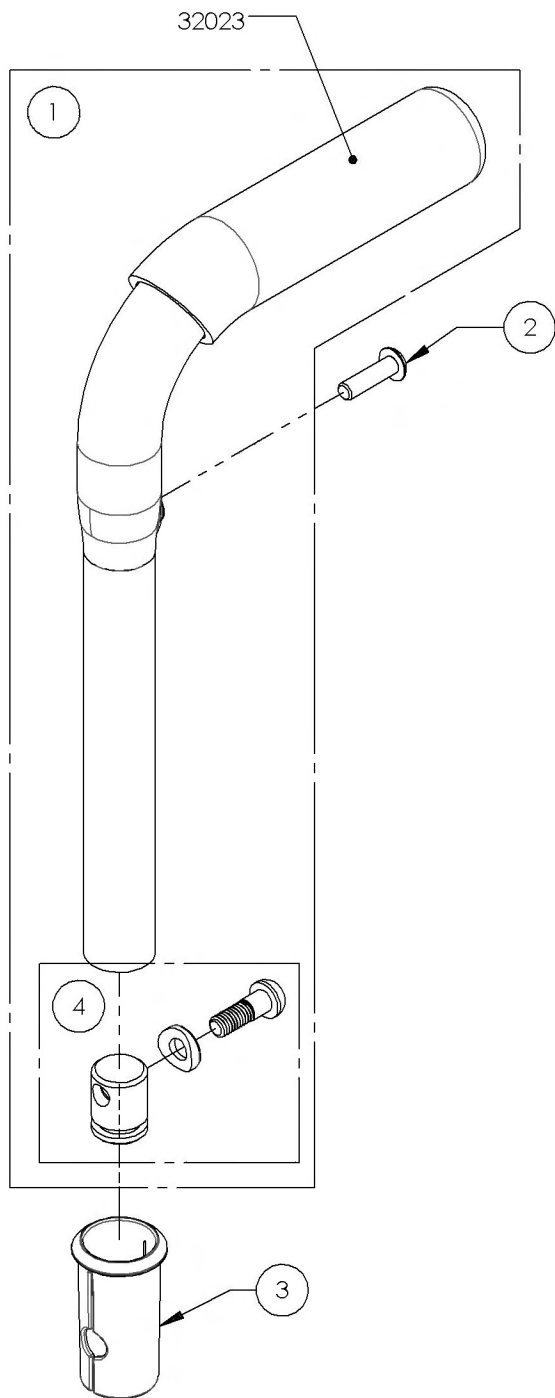
9001262
Back Cane -
Carbon Fiber,
Angle adjustable,
Fixed 18 in



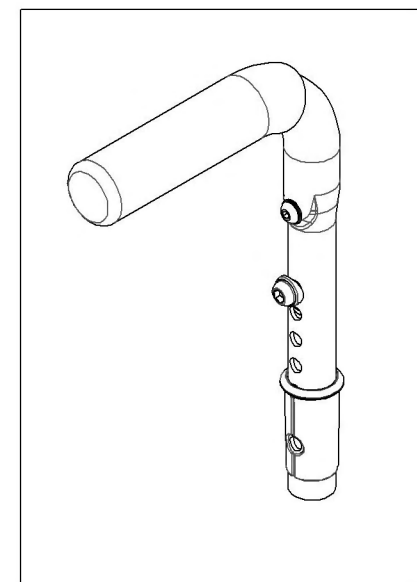
9001263
Back Cane -
Carbon Fiber,
Angle adjustable,
Fixed 21 in



**9001285
Push Handle**

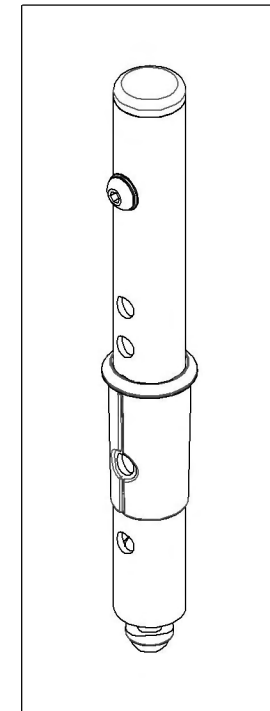
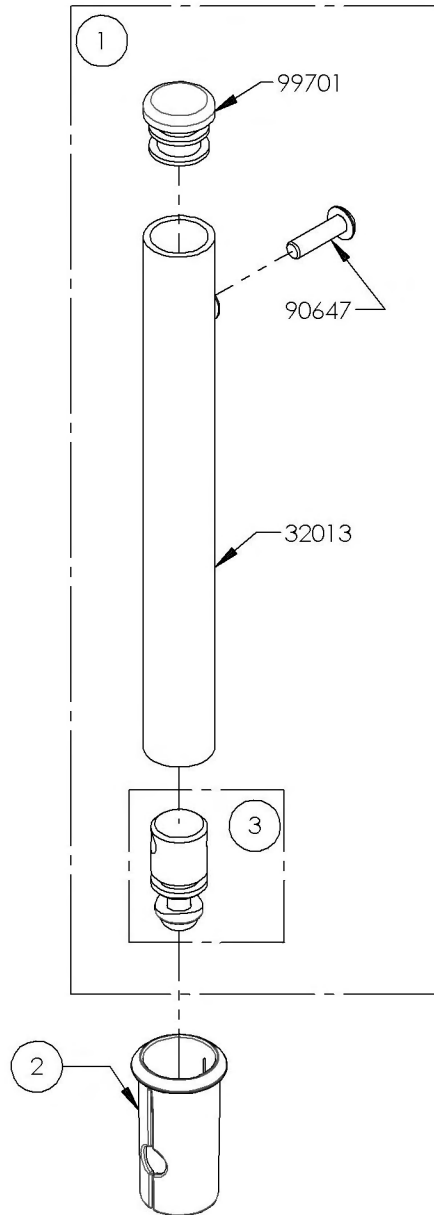


ITEM NO.	PARTNO	DESCRIPTION	9001285 /QTY.	REPLACEMENT PARTS/QTY.
1	32507	7_8" PUSH HANDLE - ASSEMBLY (M)	1	-
2	90647	BUTTON HEAD CAP SCREW M5X0.8 X 18mm LONG, FULLY THREADED	1	-
3	32017	PUSH HANDLE BACK SLEEVE	1	-
4	32514	DOWEL NUT PUSH HANDLE - ASSEMBLY (M)	-	1

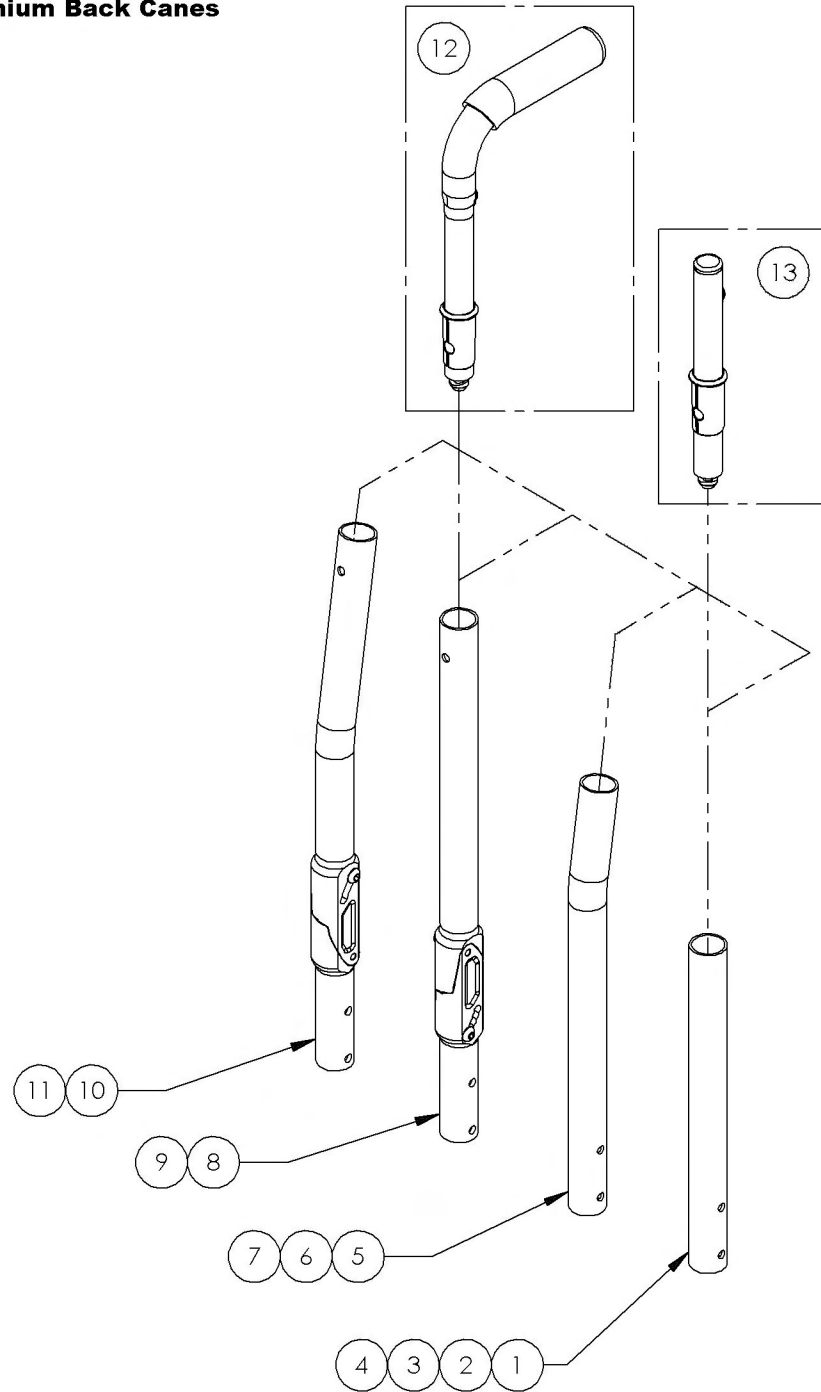


9001286
Without Push Handle - Straight Extension

ITEM NO.	PARTNO	DESCRIPTION	9001286 /QTY.	REPLACEMENT PART/QTY.
1	32506	BACK EXTENSION - ASSEMBLY (M)	1	-
2	32017	PUSH HANDLE BACK SLEEVE	1	-
3	32514	DOWEL NUT PUSH HANDLE - ASSEMBLY (M)	-	1



**Backrests Catalogue
Aluminium Back Canes**



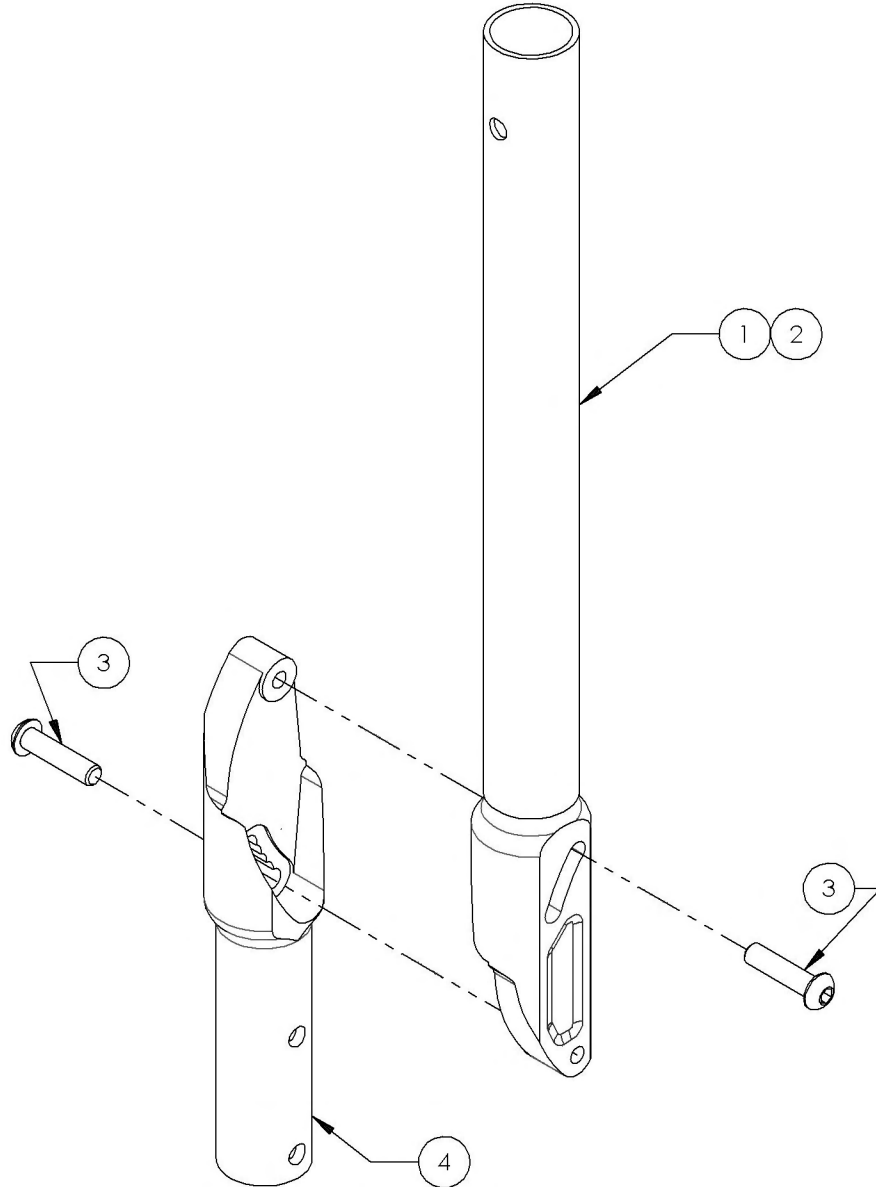
ITEM NO.	PARTNO	DESCRIPTION	QTY.
1	9001264	Back Cane - Aluminum, Straight, 9-12 in	1
2	9001265	Back Cane - Aluminum, Straight, 12-15 in	1
3	9001266	Back Cane - Aluminum, Straight, 15-18 in	1
4	9001267	Back Cane - Aluminum, Straight, 18-21 in	1
5	9001268	Back Cane - Aluminum, 8° bend, 13¼-15 in	1
6	9001269	Back Cane - Aluminum, 8° bend, 15-18 in	1
7	9001270	Back Cane - Aluminum, 8° bend, 18-21 in	1
8	9001271	Back Cane - Aluminum, Angle Adjustable, Straight, 15-18 in	1
9	9001272	Back Cane - Aluminum, Angle Adjustable, Straight, 18-21 in	1
10	9001273	Back Cane - Aluminum, Angle Adjustable, 8° bend, 15-18 in	1
11	9001274	Back Cane - Aluminum, Angle Adjustable, 8° bend, 18-21 in	1
12	9001285	Push Handle	1
13	9001286	Without Push Handle - Straight Extension	1

MAKE SURE TO HAVE YOUR SERIAL NUMBER
NEARBY WHEN ORDERING PARTS FOR YOUR
MOTION COMPOSITES WHEELCHAIR

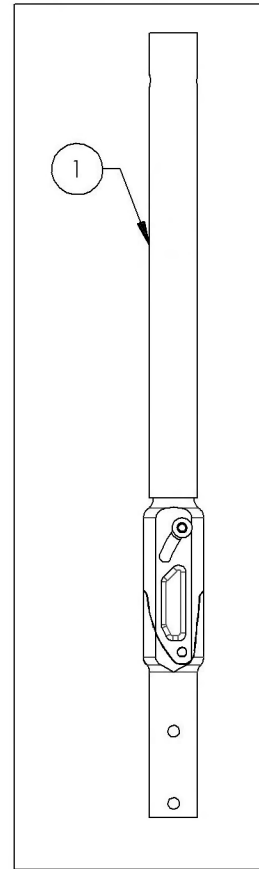
9001271_9001272

Back Cane - Aluminum, Angle adjustable, Straight

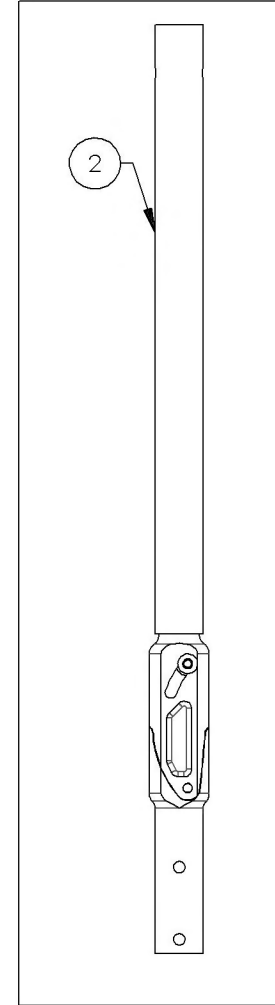
ITEM NO.	PARTNO	DESCRIPTION	9001271 /QTY.	9001272 /QTY.
1	32518	ALUMINUM ADJUSTABLE ANGLE BACK 15"-18" (M)	1	-
2	32519	ALUMINUM ADJUSTABLE ANGLE BACK 18"-21" (M)	-	1
3	90663	BUTTON HEAD CAP SCREW M6X1 X 25mm LONG, FULLY THREADED	2	2
4	32037	LOWER ADJUSTABLE BACKREST (M)	1	1



9001271
Back Cane - Aluminum,
Angle Adjustable,
Straight, 15-18 in



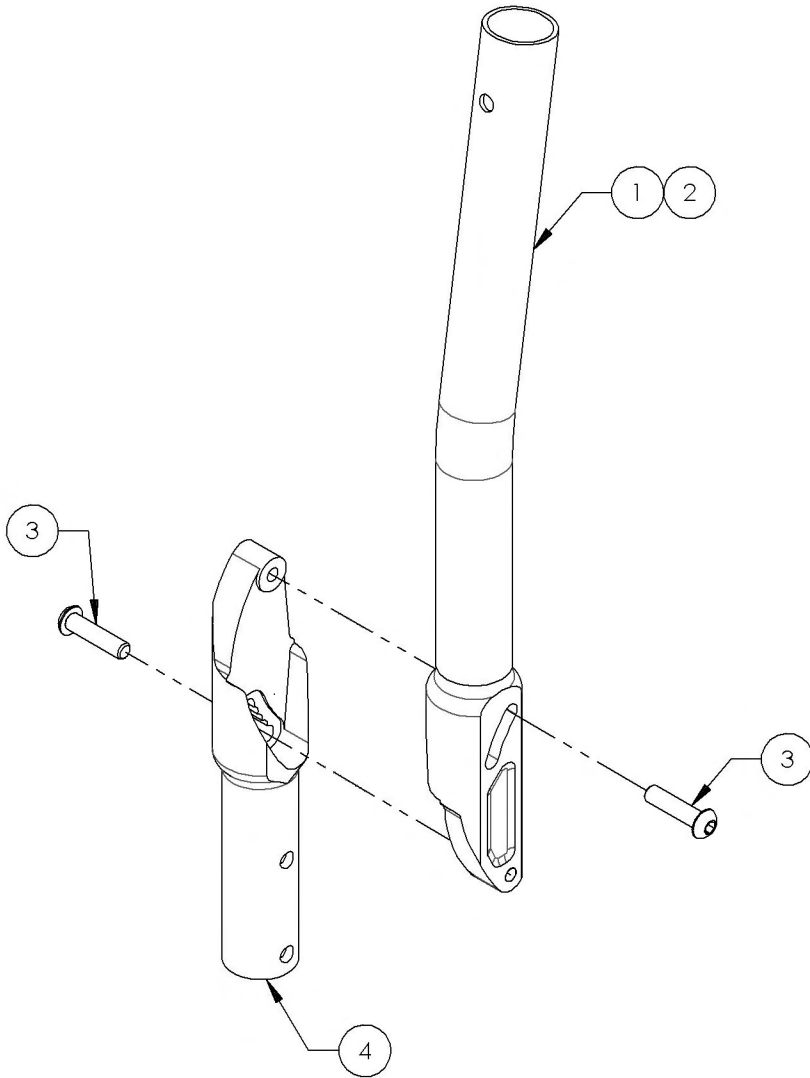
9001272
Back Cane - Aluminum,
Angle Adjustable,
Straight, 18-21 in



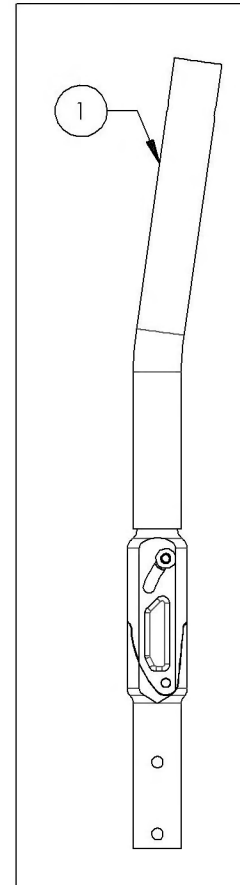
9001273_9001274

Back Cane - Aluminum, Angle adjustable, 8° bend

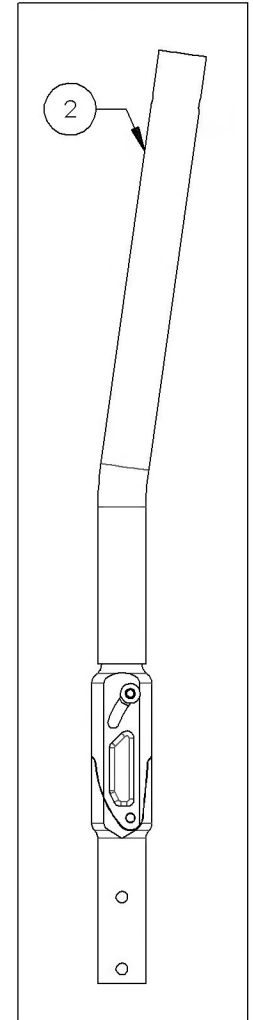
ITEM NO.	PARTNO	DESCRIPTION	9001273 /QTY.	9001274 /QTY.
1	32528	ALUMINUM ADJUSTABLE ANGLE 8° BEND BACK CANE 15"-18" (M)	1	-
2	32529	ALUMINUM ADJUSTABLE ANGLE 8° BEND BACK CANE 18"-21" (M)	-	1
3	90663	BUTTON HEAD CAP SCREW M6X1 X 25mm LONG, FULLY THREADED	2	2
4	32037	LOWER ADJUSTABLE BACKREST (M)	1	1



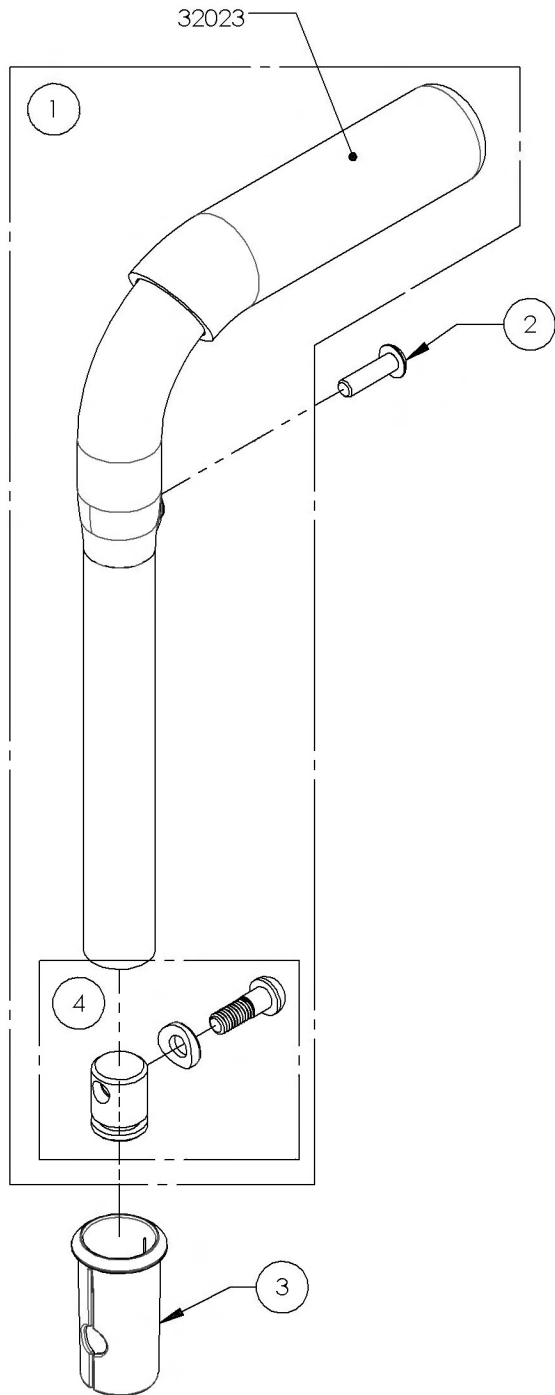
9001273
Back Cane - Aluminum,
Angle Adjustable, 8° bend,
15-18 in



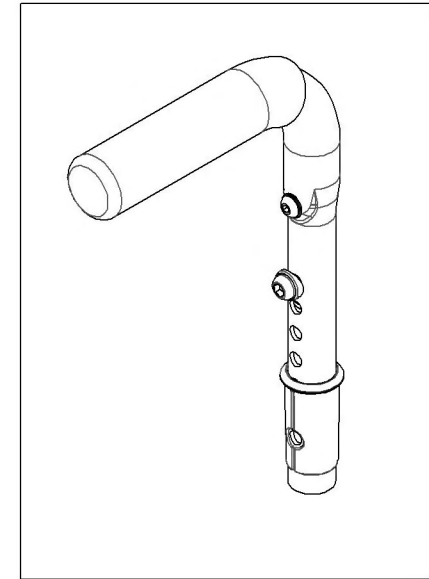
9001274
Back Cane - Aluminum,
Angle Adjustable, 8° bend,
18-21 in



**9001285
Push Handle**

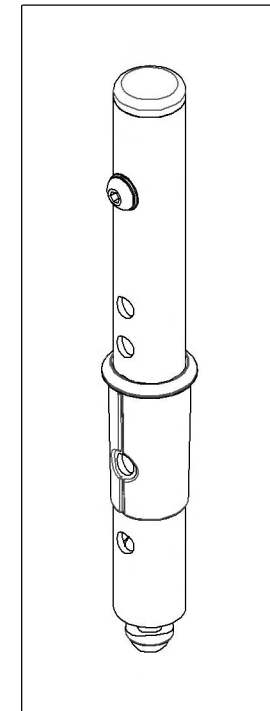
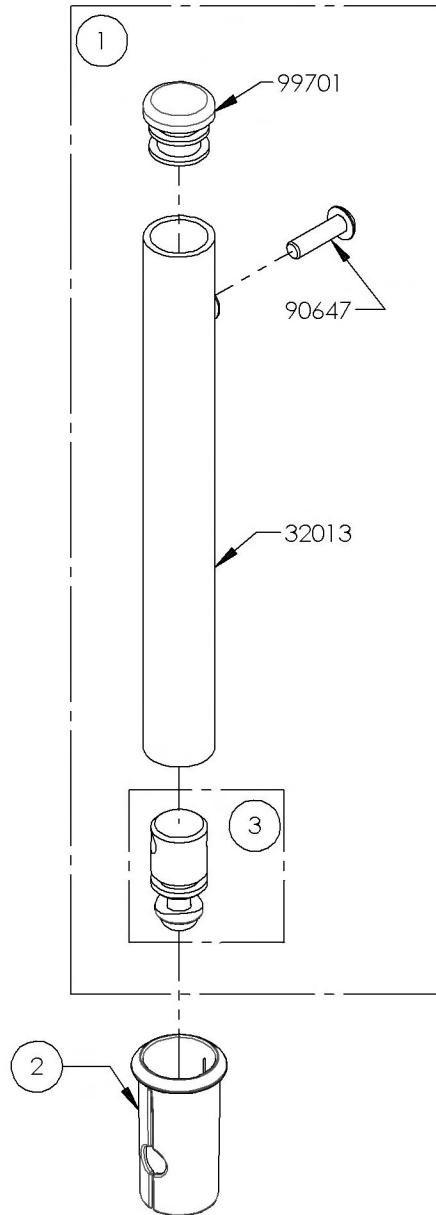


ITEM NO.	PARTNO	DESCRIPTION	9001285 /QTY.	REPLACEMENT PARTS/QTY.
1	32507	7_8" PUSH HANDLE - ASSEMBLY (M)	1	-
2	90647	BUTTON HEAD CAP SCREW M5X0.8 X 18mm LONG, FULLY THREADED	1	-
3	32017	PUSH HANDLE BACK SLEEVE	1	-
4	32514	DOWEL NUT PUSH HANDLE - ASSEMBLY (M)	-	1



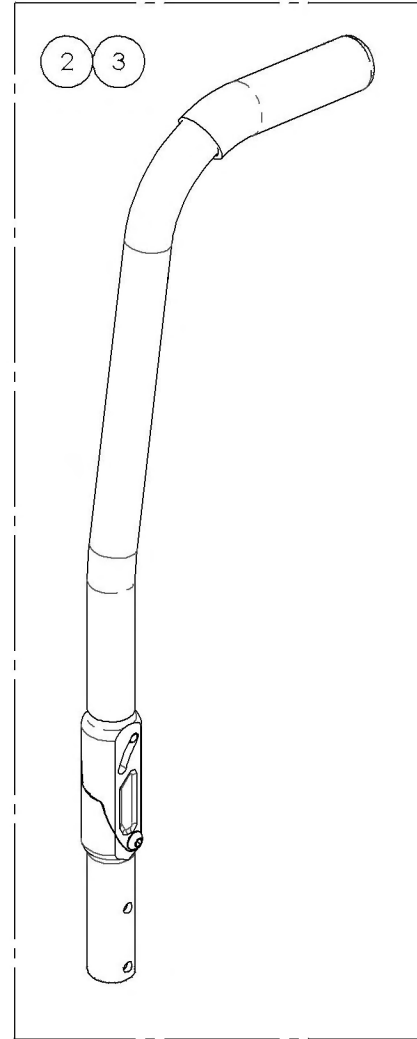
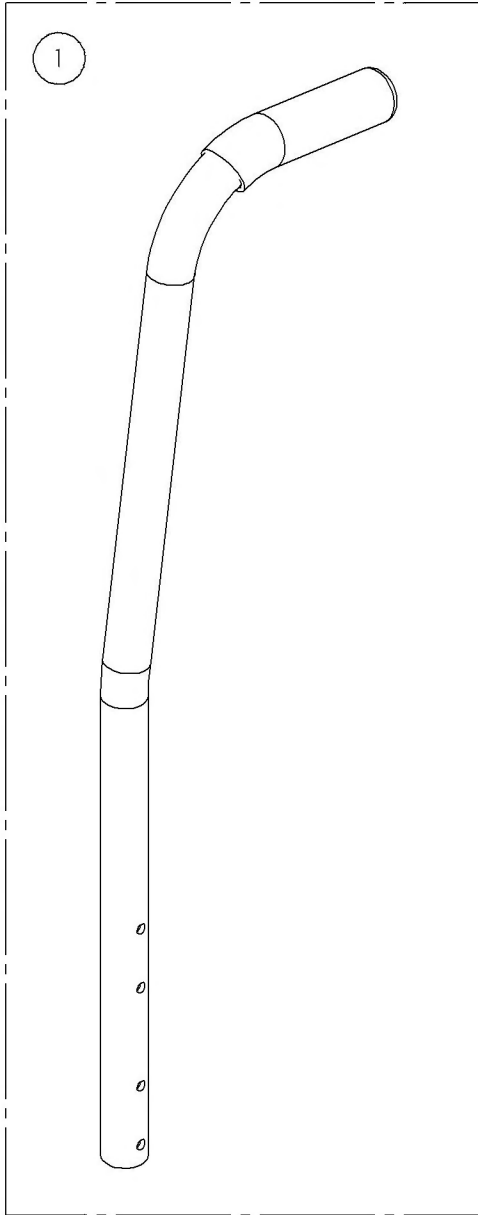
9001286
Without Push Handle - Straight Extension

ITEM NO.	PARTNO	DESCRIPTION	9001286 /QTY.	REPLACEMENT PART/QTY.
1	32506	BACK EXTENSION - ASSEMBLY (M)	1	-
2	32017	PUSH HANDLE BACK SLEEVE	1	-
3	32514	DOWEL NUT PUSH HANDLE - ASSEMBLY (M)	-	1



Backrests Catalogue
Integrated Push Handle Back Canes

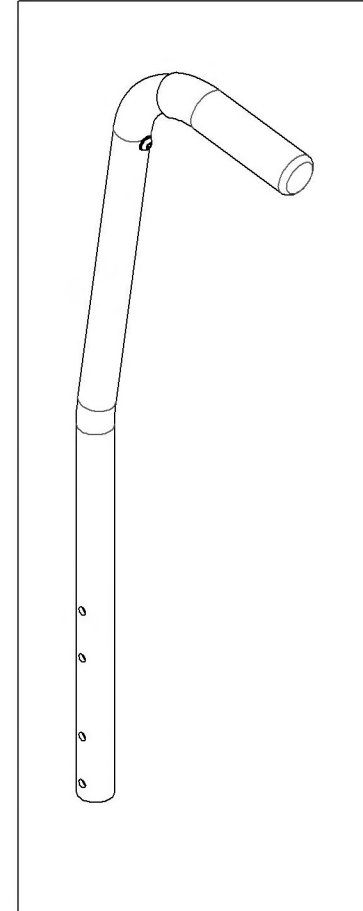
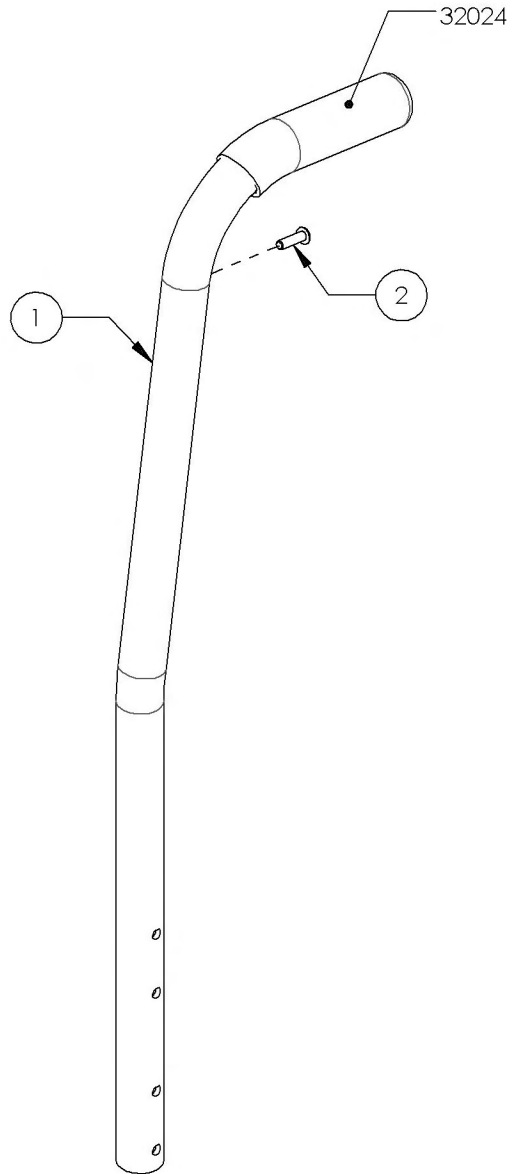
ITEM NO.	PARTNO	DESCRIPTION	QTY
1	9001275	Back Cane - Aluminum, 8° bend + Integrated Push Handle, 16 or 20 in	1
2	9001276	Back Cane - Aluminum, Angle Adjustable, 8° bend + Integrated Push Handle, 16 in	1
3	9001277	Back Cane - Aluminum, Angle Adjustable, 8° bend + Integrated Push Handle, 20 in	1



MAKE SURE TO HAVE YOUR SERIAL NUMBER
 NEARBY WHEN ORDERING PARTS FOR YOUR
 MOTION COMPOSITES WHEELCHAIR

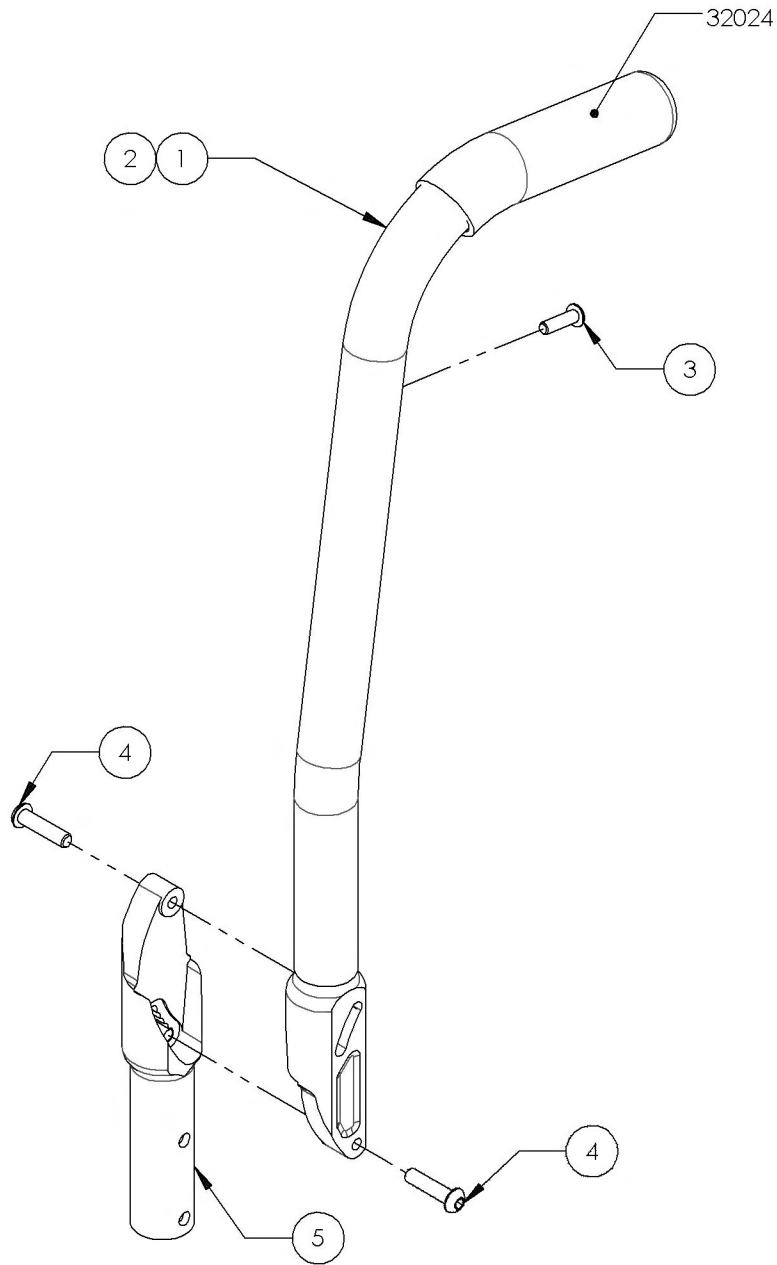
9001275
Back Cane - Aluminum, 8° bend + Integrated Push Handle, 16 or 20 in

ITEM NO.	PARTNO	DESCRIPTION	9001275 /QTY.
1	32500	ALU 8° BACK CANE 16" OR 20" W_FIXED PUSH HANDLE - ASSEMBLY (M)	1
2	90647	BUTTON HEAD CAP SCREW M5X0.8 X 18mm LONG, FULLY THREADED	1



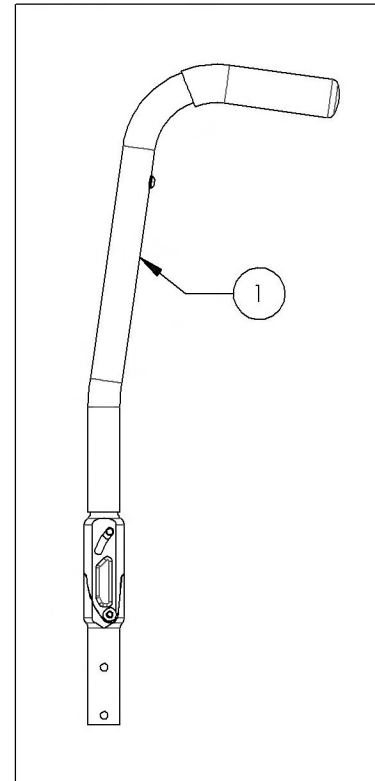
9001276_9001277

Back Cane - Aluminum, Angle adjustable, 8° bend + Integrated Push Handle

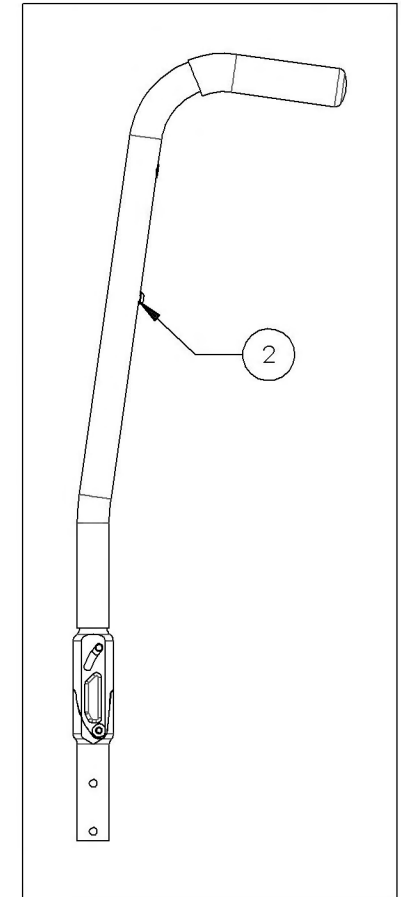


ITEM NO.	PARTNO	DESCRIPTION	9001276 /QTY.	9001277 /QTY.
1	32501	ALUMINIUM ADJUSTABLE ANGLE BACK 16" W_ FIXED PUSH HANDLE - ASSEMBLY (M)	1	-
2	32502	ALUMINIUM ADJUSTABLE ANGLE BACK 20" W_ FIXED PUSH HANDLE - ASSEMBLY (M)	-	1
3	90647	BUTTON HEAD CAP SCREW M5X0.8 X 18mm LONG, FULLY THREADED	1	1
4	90663	BUTTON HEAD CAP SCREW M6X1 X 25mm LONG, FULLY THREADED	2	2
5	32037	LOWER ADJUSTABLE BACKREST (M)	1	1

9001276
Back Cane - Aluminum, Angle Adjustable, 8° bend + Integrated Push Handle, 16 in

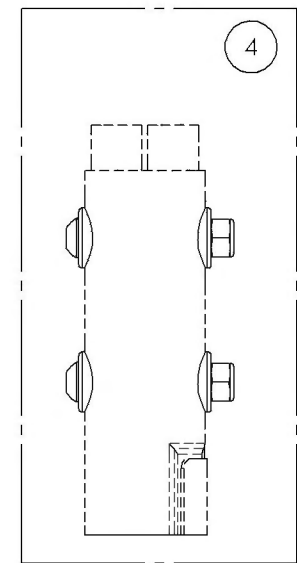
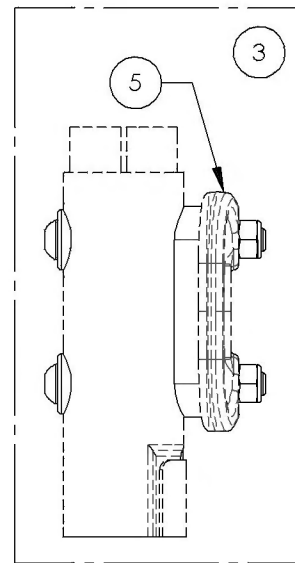
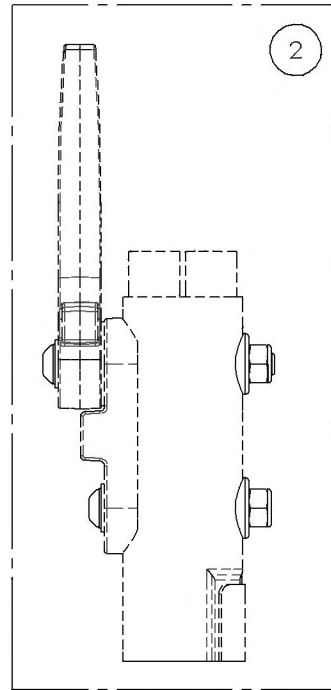
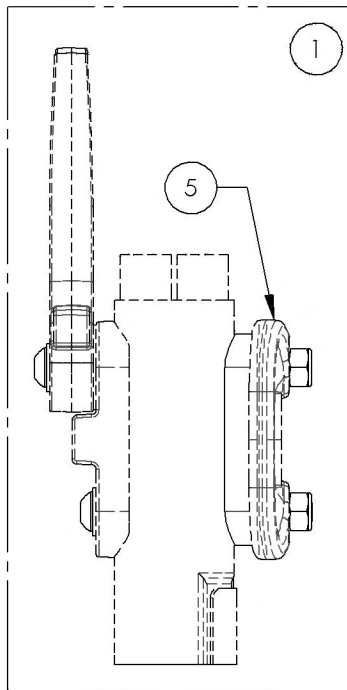
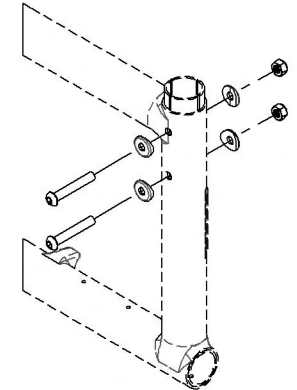
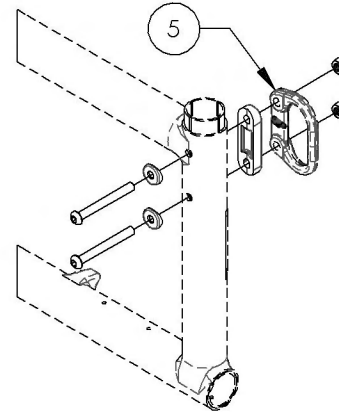
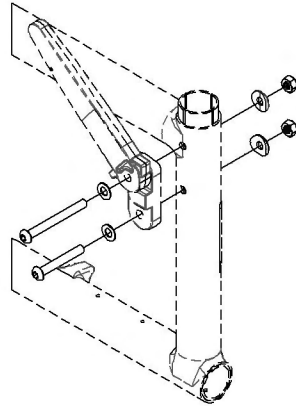
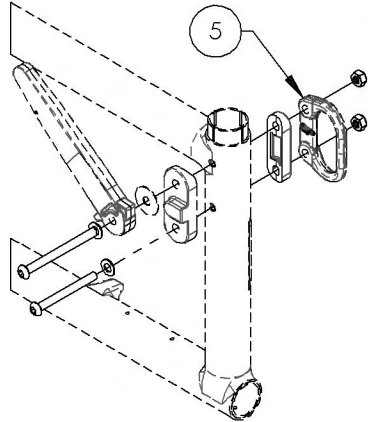


9001277
Back Cane - Aluminum, Angle Adjustable, 8° bend + Integrated Push Handle, 20 in



**Armrest Catalogue
Back Cane Hardware**

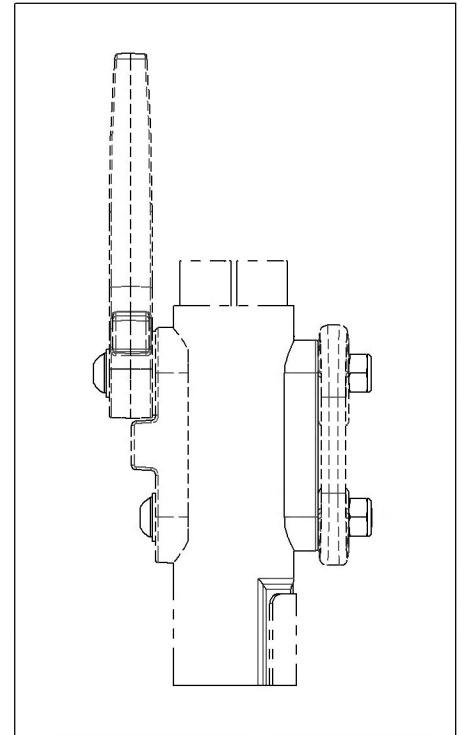
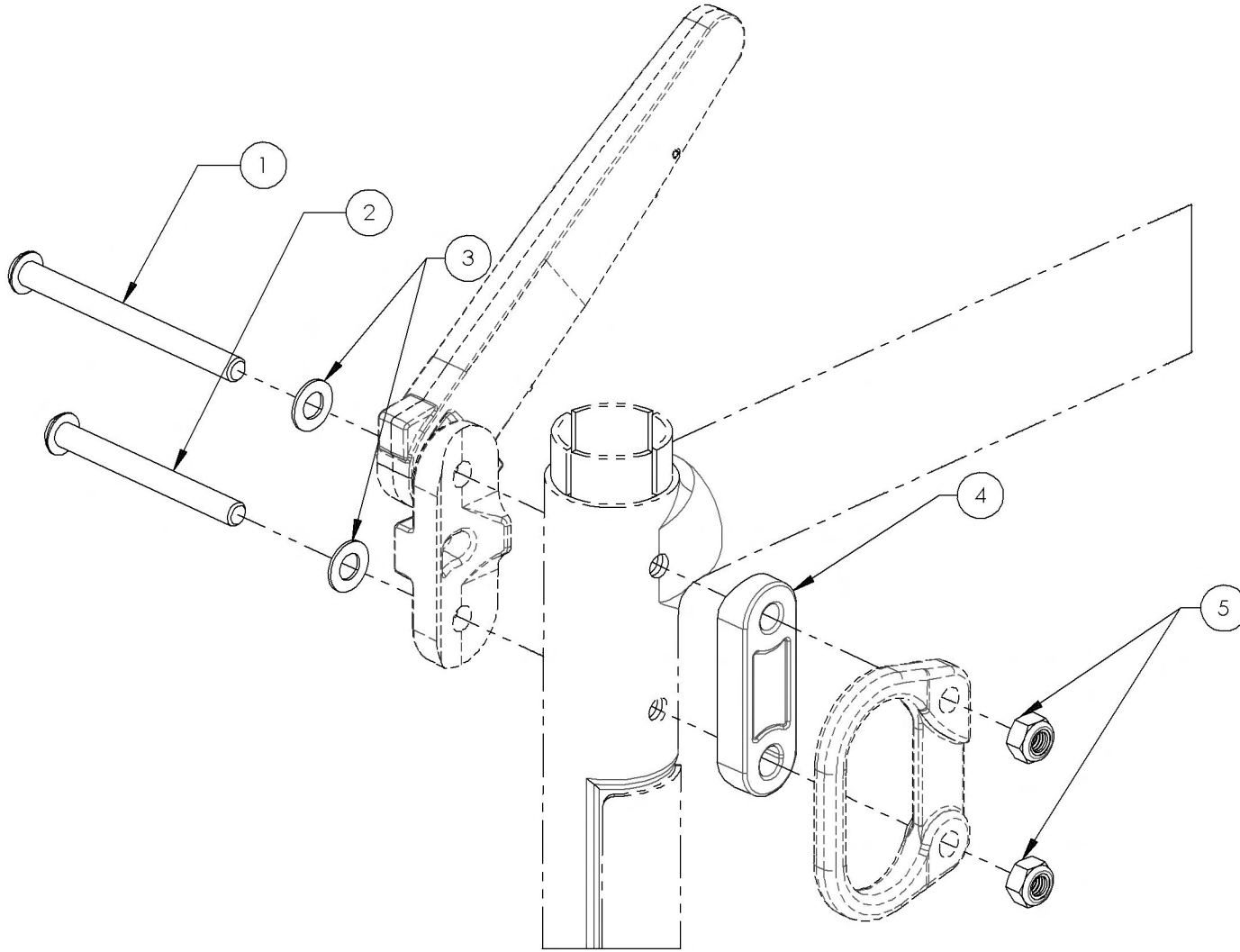
ITEM NO.	PARTNO	DESCRIPTION	QTY.
1	9001233	Back Cane - Hardware, With Tie Down for Flip Back Armrest	1
2	9001234	Back Cane - Hardware, Without Tie Down for Flip Back Armrest	1
3	9001235	Back Cane - Hardware, With Tie Down for T Armrest, Side Guards, Mud Guards, Locking Flip-Up Armrest, No Armrest	1
4	9001236	Back Cane - Hardware, Without Tie Down for T Armrest, Side Guards, Mud Guards, Locking Flip-Up Armrest, No Armrest	1
5	9001625	Tie Down - Rear, For Unoccupied Transit	1



MAKE SURE TO HAVE YOUR SERIAL NUMBER NEARBY WHEN ORDERING PARTS FOR YOUR MOTION COMPOSITES WHEELCHAIR

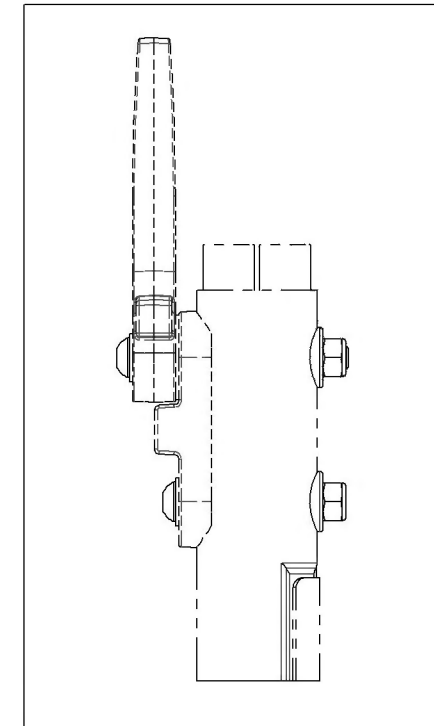
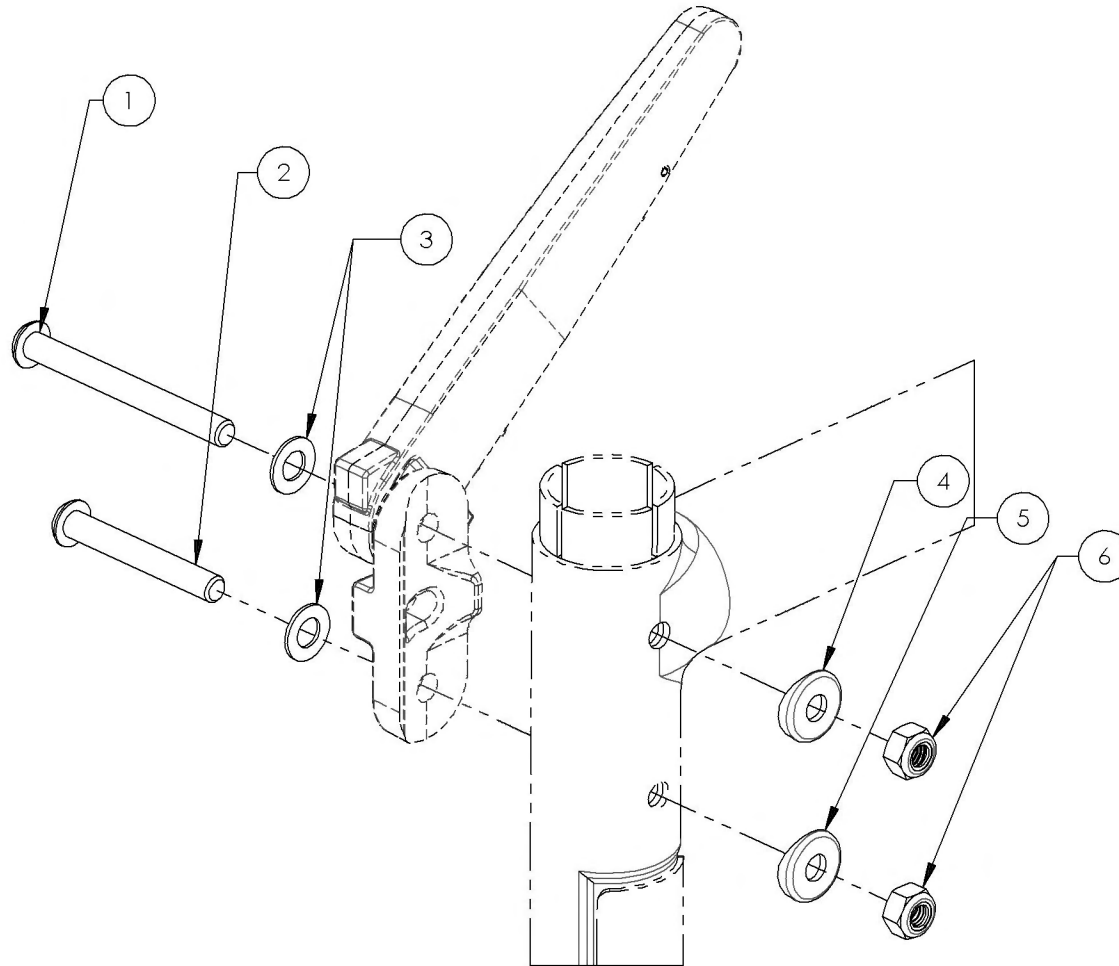
9001233
Back Cane - Hardware, With Tie Down for Flip Back Armrest

ITEM NO.	PARTNO	DESCRIPTION	9001233 /QTY.
1	90982	BUTTON HEAD CAP SCREW M6X1 X 70mm LONG, 24mm THREADED	1
2	90670	BUTTON HEAD CAP SCREW M6X1 X 58mm LONG, 24mm THREADED	1
3	99560	WASHER 1/4 17/64 ID X 1/2 OD X .032 THK	2
4	32066	DOUBLE COVERED WASHER	1
5	99512	M6 LOW NYLON LOCK	2



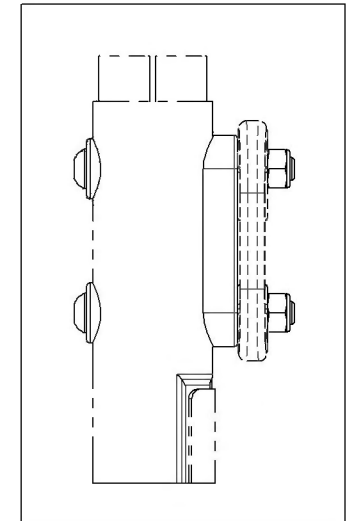
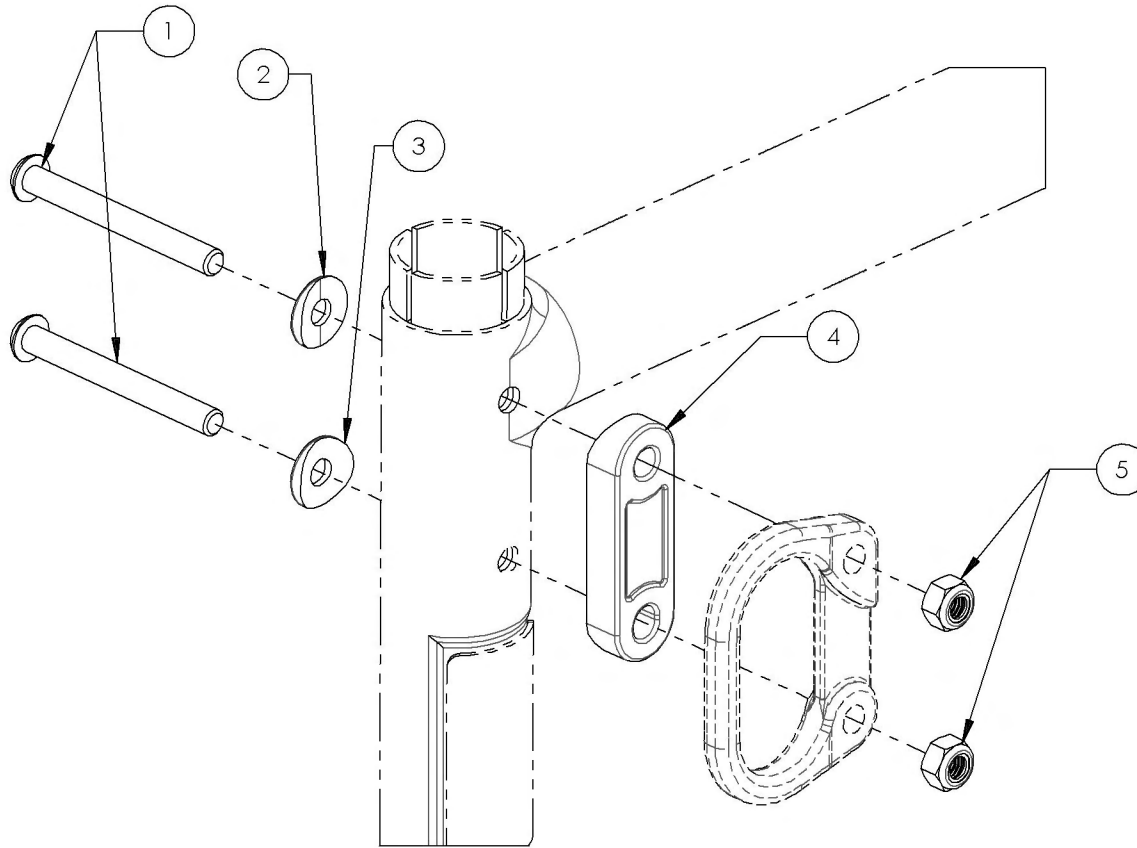
9001234
Back Cane - Hardware, Without Tie Down for Flip Back Armrest

ITEM NO.	PARTNO	DESCRIPTION	9001234 /QTY.
1	90670	BUTTON HEAD CAP SCREW M6X1 X 58mm LONG, 24mm THREADED	1
2	90667	BUTTON HEAD CAP SCREW M6X1 X 43mm LONG, 24mm THREADED	1
3	99560	WASHER 1/4 17/64 ID X 1/2 OD X .032 THK	2
4	32089	ALU SEMI COVED WASHER	1
5	31179	V2 FOOTREST COVED WASHER	1
6	99512	M6 LOW NYLON LOCK	2



9001235
Back Cane - Hardware, With Tie Down for T Armrest, Side Guards, Mud
Guards, Locking Flip-Up Armrest, No Armrest

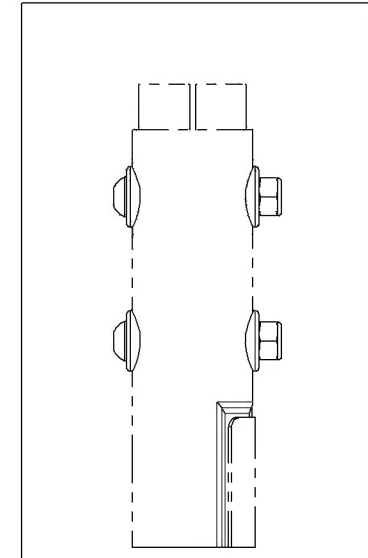
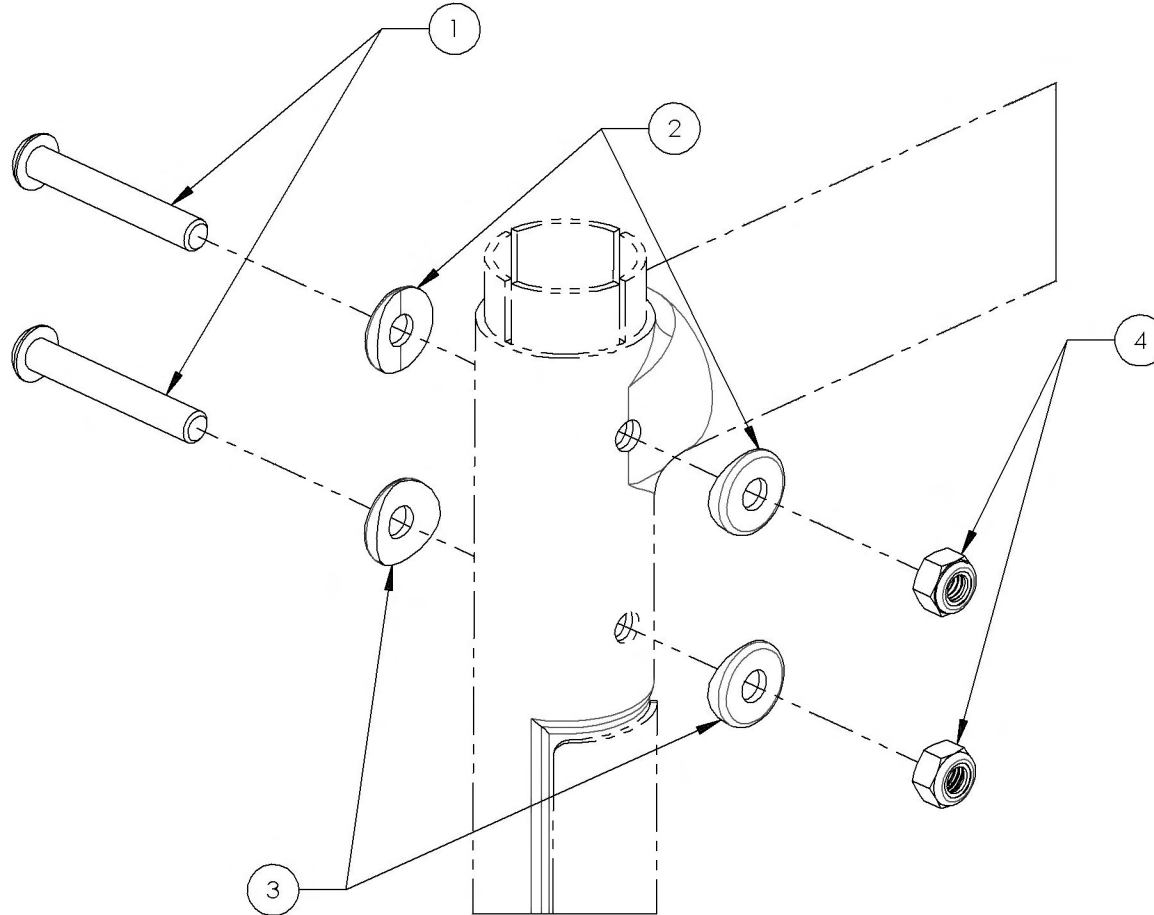
ITEM NO.	PARTNO	DESCRIPTION	9001235 /QTY.
1	90669	BUTTON HEAD CAP SCREW M6X1 X 55mm LONG, 24mm THREADED	2
2	32089	ALU SEMI COVERED WASHER	1
3	31179	V2 FOOTREST COVERED WASHER	1
4	32066	DOUBLE COVERED WASHER	1
5	99512	M6 LOW NYLON LOCK	2



9001236

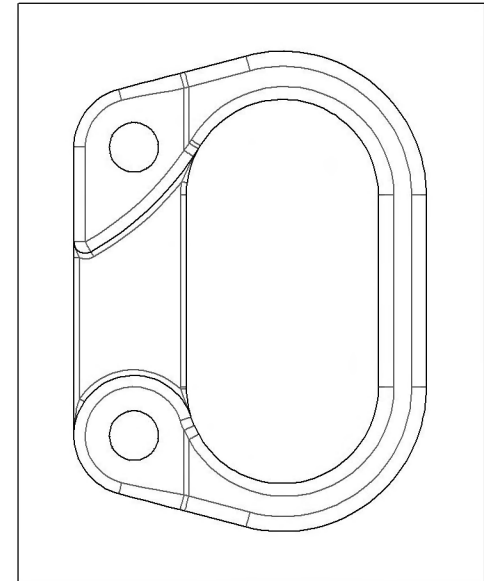
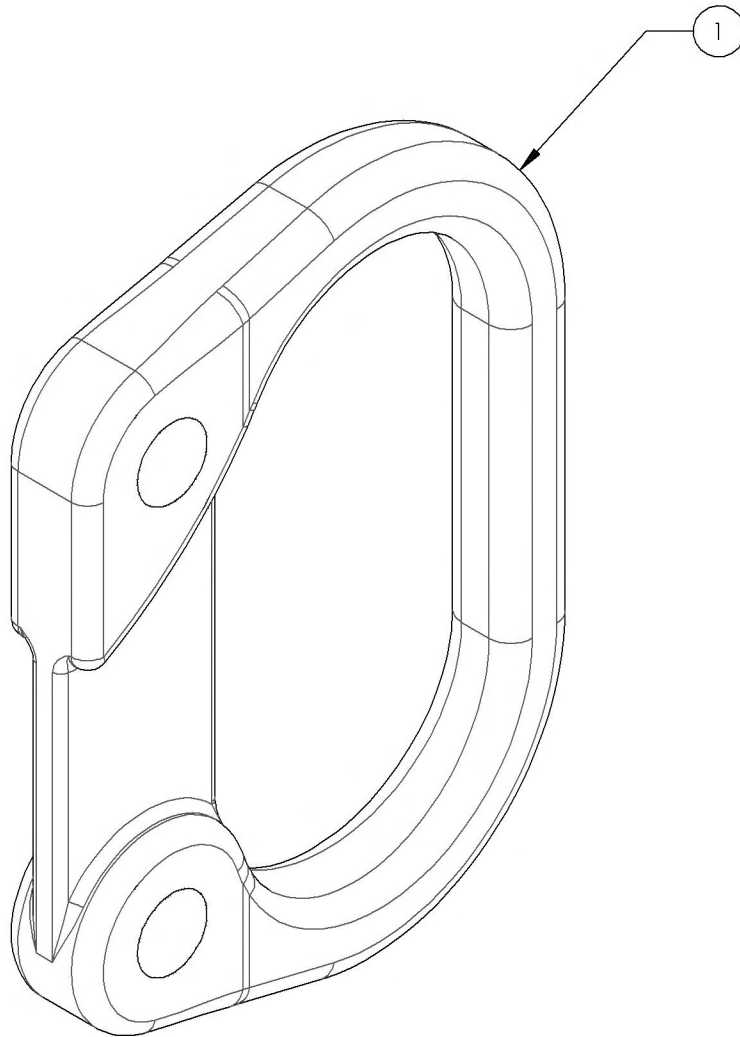
Back Cane - Hardware, Without Tie Down for T Armrest, Side Guards, Mud Guards, Locking Flip-Up Armrest, No Armrest

ITEM NO.	PARTNO	DESCRIPTION	9001236 /QTY.
1	90666	BUTTON HEAD CAP SCREW M6X1 X 40mm LONG, 24mm THREADED	2
2	32089	ALU SEMI COVERED WASHER	2
3	31179	V2 FOOTREST COVERED WASHER	2
4	99512	M6 LOW NYLON LOCK	2



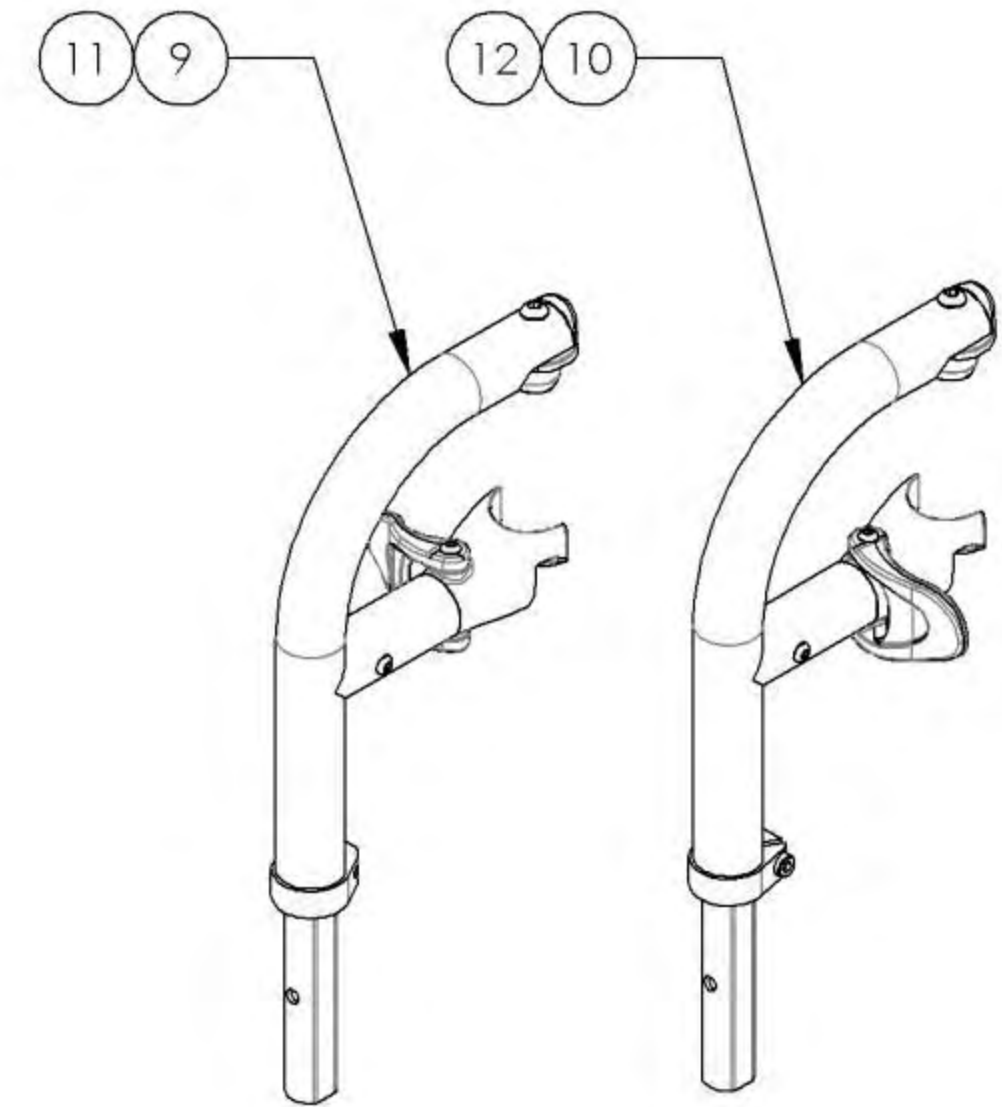
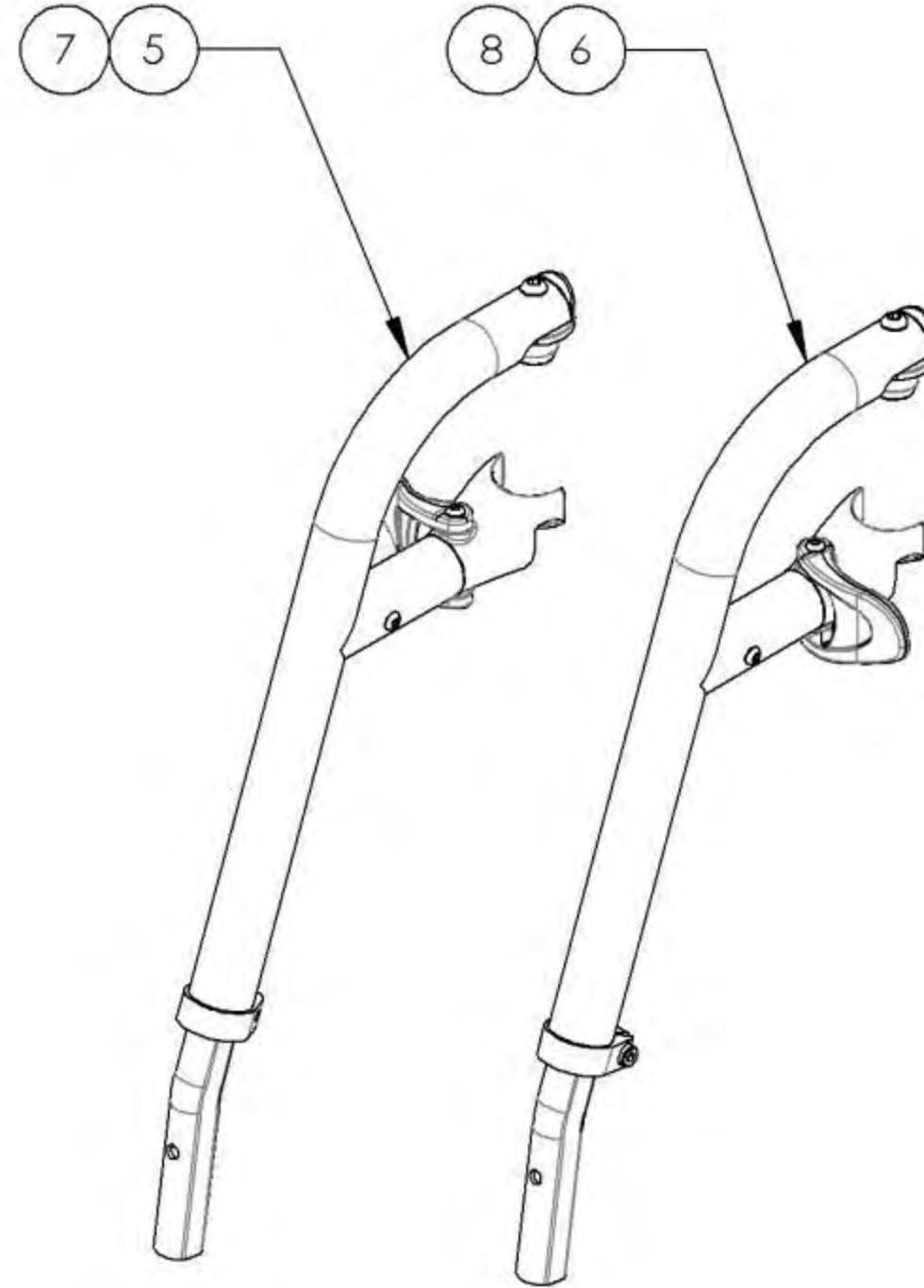
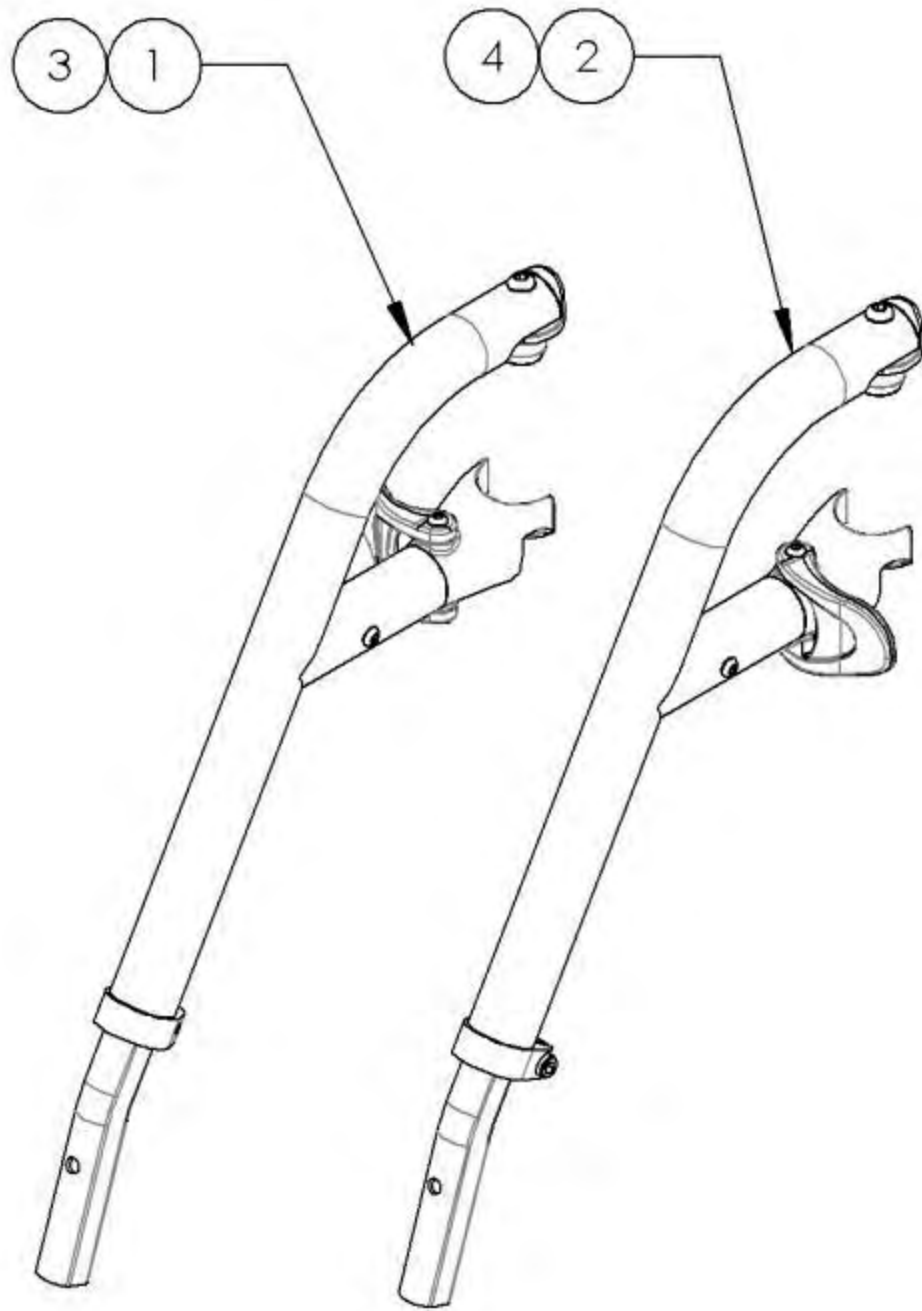
9001625
Tie Down - Rear, For Unoccupied Transit

ITEM NO.	PARTNO	DESCRIPTION	9001625 /QTY.
1	22004	FRONT TIE DOWN	1



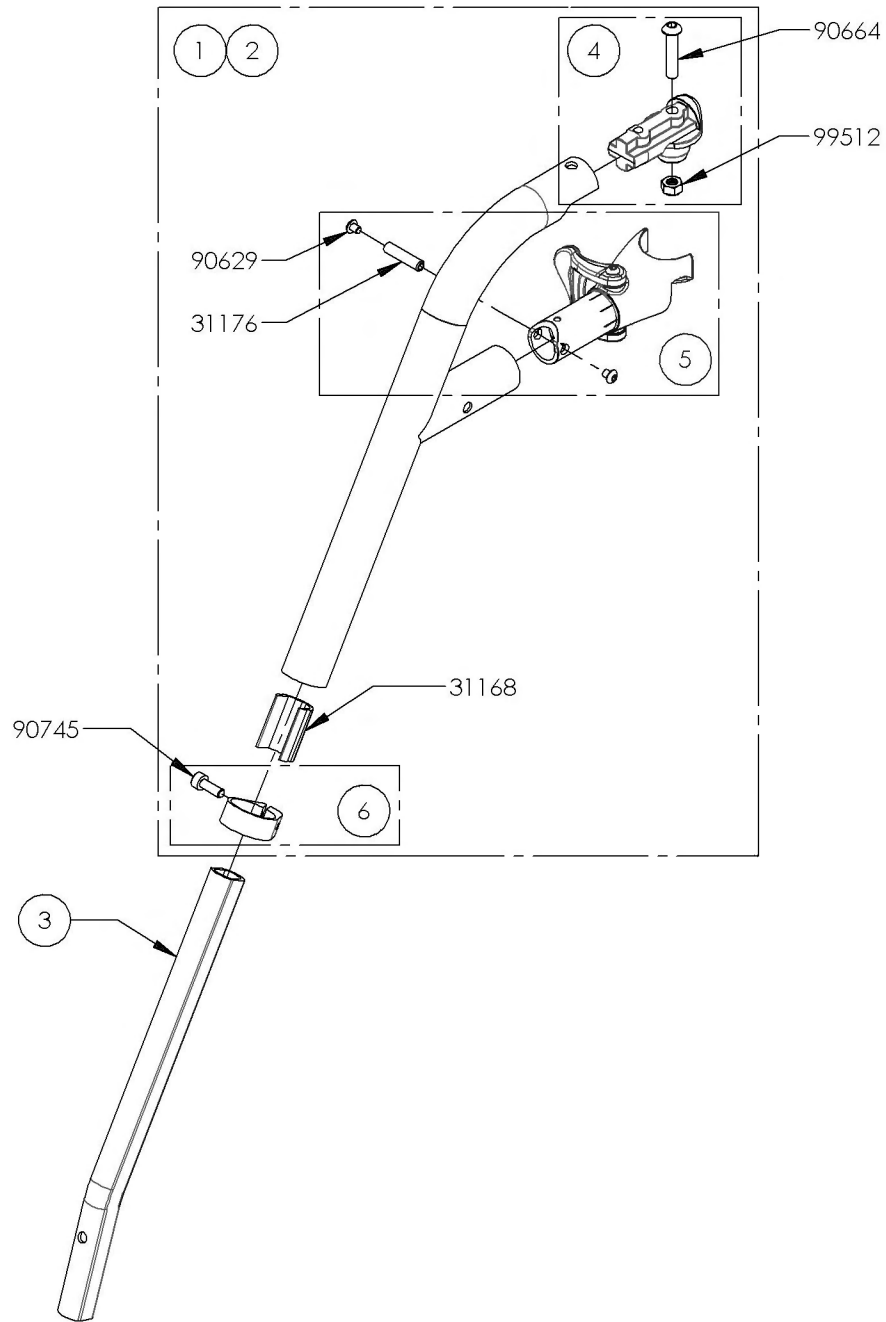
Footrest Catalogue
Footrests - Swing-In/Swing-Out

ITEM NO.	PARTNO	DESCRIPTION	QTY
1	9001328	Footrest - Swing-In/Swing-Out, Right, 60° - Black	1
2	9001331	Footrest - Swing-In/Swing-Out, Left, 60° - Black	1
3	9001334	Footrest - Swing-In/Swing-Out, Right, 60° (Specify Color)	1
4	9001337	Footrest - Swing-In/Swing-Out, Left, 60° (Specify Color)	1
5	9001329	Footrest - Swing-In/Swing-Out, Right, 70° - Black	1
6	9001332	Footrest - Swing-In/Swing-Out, Left, 70° - Black	1
7	9001335	Footrest - Swing-In/Swing-Out, Right, 70° (Specify Color)	1
8	9001338	Footrest - Swing-In/Swing-Out, Left, 70° (Specify Color)	1
9	9001330	Footrest - Swing-In/Swing-Out, Right, 90° - Black	1
10	9001333	Footrest - Swing-In/Swing-Out, Left, 90° - Black	1
11	9001336	Footrest - Swing-In/Swing-Out, Right, 90° (Specify Color)	1
12	9001339	Footrest - Swing-In/Swing-Out, Left, 90° (Specify Color)	1



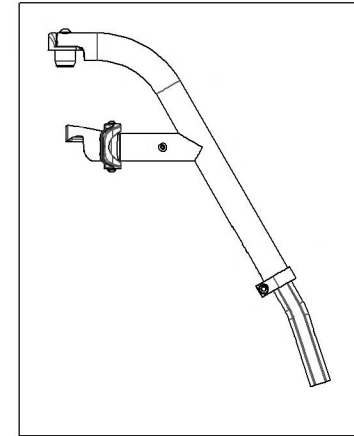
MAKE SURE TO HAVE YOUR SERIAL NUMBER NEARBY WHEN ORDERING PARTS FOR YOUR MOTION COMPOSITES WHEELCHAIR

9001328_9001329
Footrest - Swing-In/Swing-Out, Right - Black

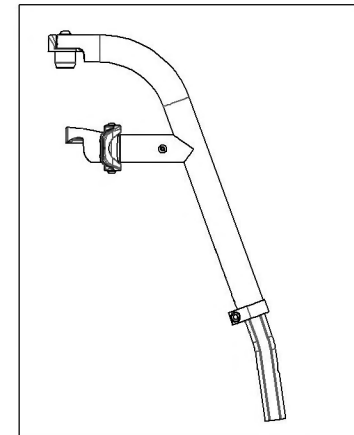


ITEM NO.	PARTNO	DESCRIPTION	9001328 /QTY.	9001329 /QTY.	REPLACEMENT PARTS/QTY.
1	31543	V2 FOOTREST 60° RIGHT - ASSEMBLY	1	-	-
2	31545	V2 FOOTREST 70° RIGHT - ASSEMBLY	-	1	-
3	31169	V2 FOOTREST EXTENSION	1	1	-
4	31551	V2 FOOTREST PIVOT - ASSEMBLY	-	-	1
5	31550	V2 FOOTREST HOUSING RIGHT - ASSEMBLY	-	-	1
6	31552	V2 FOOTREST EXTENSION RIGHT CLAMP - ASSEMBLY	-	-	1

9001328 -
 Footrest - Swing-In/Swing-Out, Right,
 60° - Black

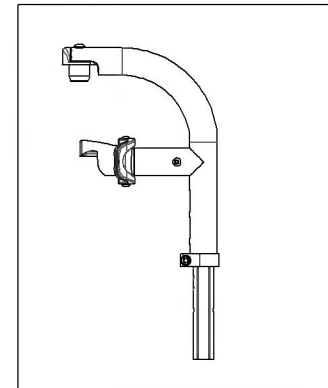
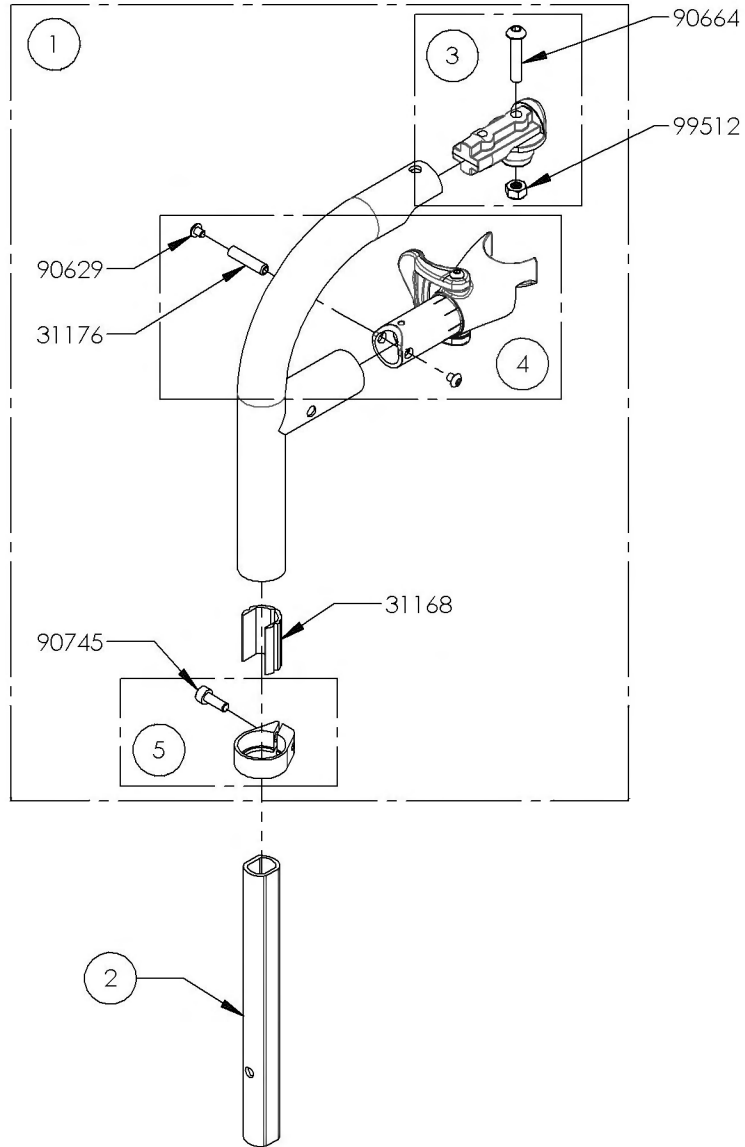


9001329 -
 Footrest - Swing-In/Swing-Out, Right,
 70° - Black

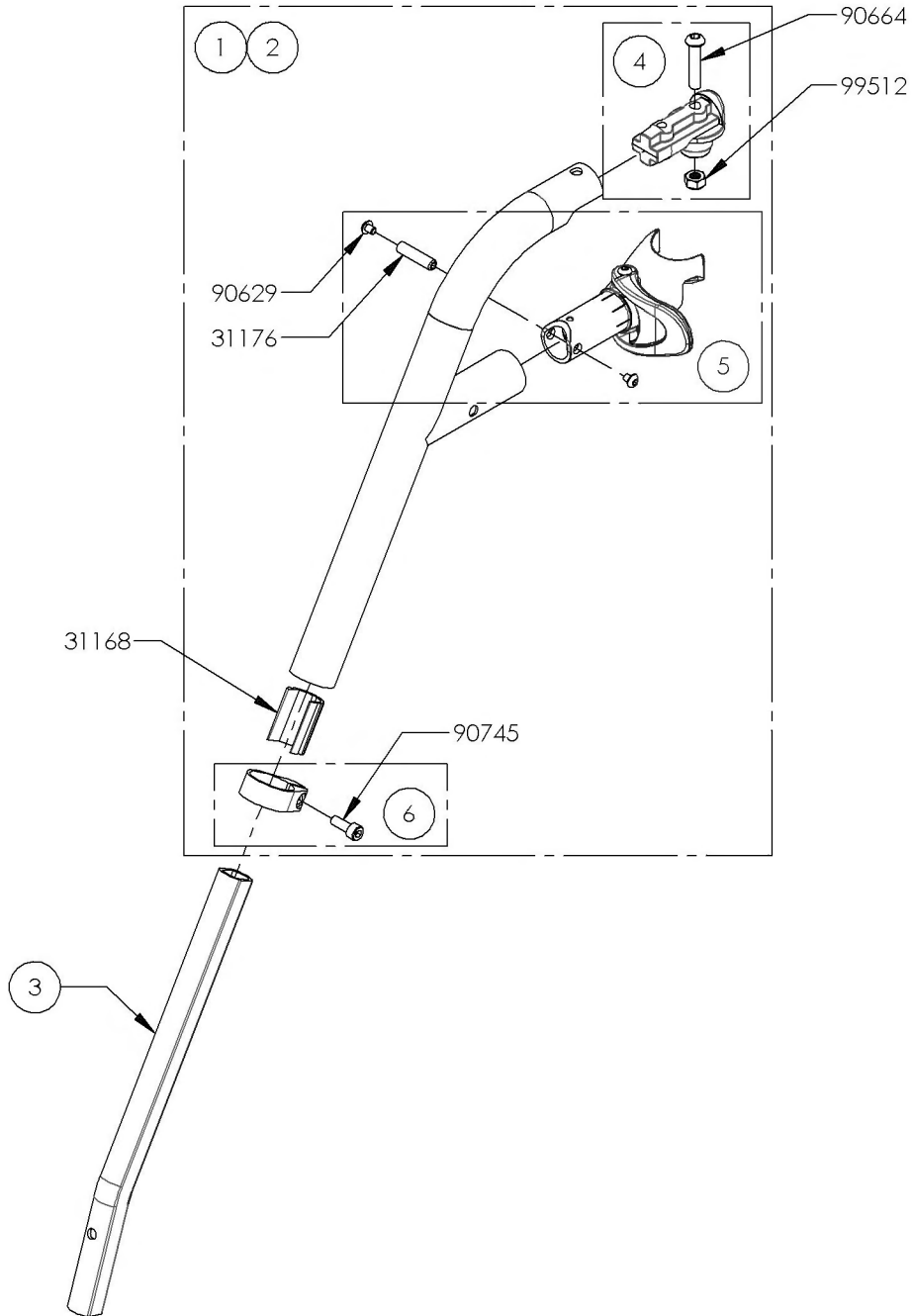


9001330
Footrest - Swing-In/Swing-Out, Right, 90° - Black

ITEM NO.	PARTNO	DESCRIPTION	9001330 /QTY.	REPLACEMENT PARTS/QTY.
1	31547	V2 FOOTREST 90° RIGHT - ASSEMBLY	1	-
2	31198	V2 FOOTREST 90° EXTENSION	1	-
3	31551	V2 FOOTREST PIVOT - ASSEMBLY	-	1
4	31550	V2 FOOTREST HOUSING RIGHT - ASSEMBLY	-	1
5	31552	V2 FOOTREST EXTENSION RIGHT CLAMP - ASSEMBLY	-	1

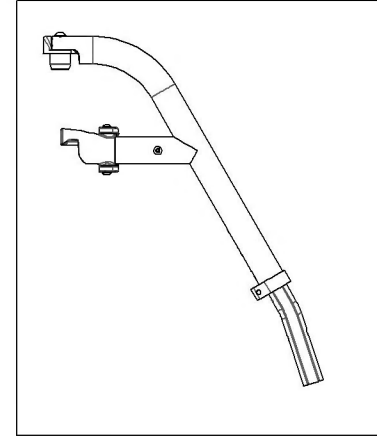


9001331_9001332
Footrest - Swing-In/Swing-Out, Left - Black

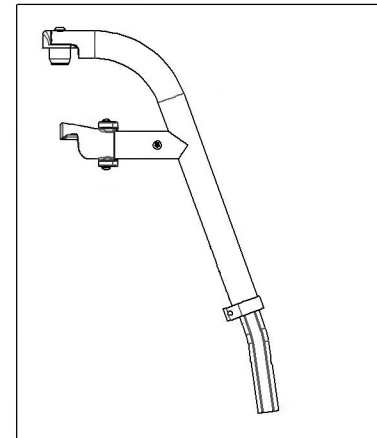


ITEM NO.	PARTNO	DESCRIPTION	9001331 /QTY.	9001332 /QTY.	REPLACEMENT PARTS/QTY.
1	31544	V2 FOOTREST 60° LEFT - ASSEMBLY	1	-	-
2	31546	V2 FOOTREST 70° LEFT - ASSEMBLY	-	1	-
3	31169	V2 FOOTREST EXTENSION	1	1	-
4	31551	V2 FOOTREST PIVOT - ASSEMBLY	-	-	1
5	31549	V2 FOOTREST HOUSING LEFT - ASSEMBLY	-	-	1
6	31553	V2 FOOTREST EXTENSION LEFT CLAMP - ASSEMBLY	-	-	1

9001331 -
 Footrest - Swing-In/Swing-Out, Left,
 60° - Black

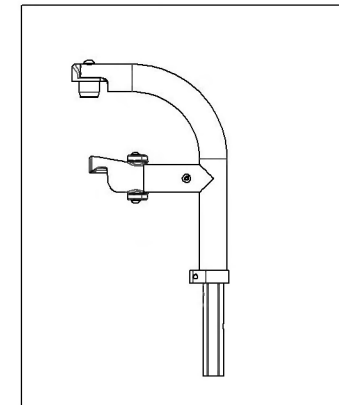
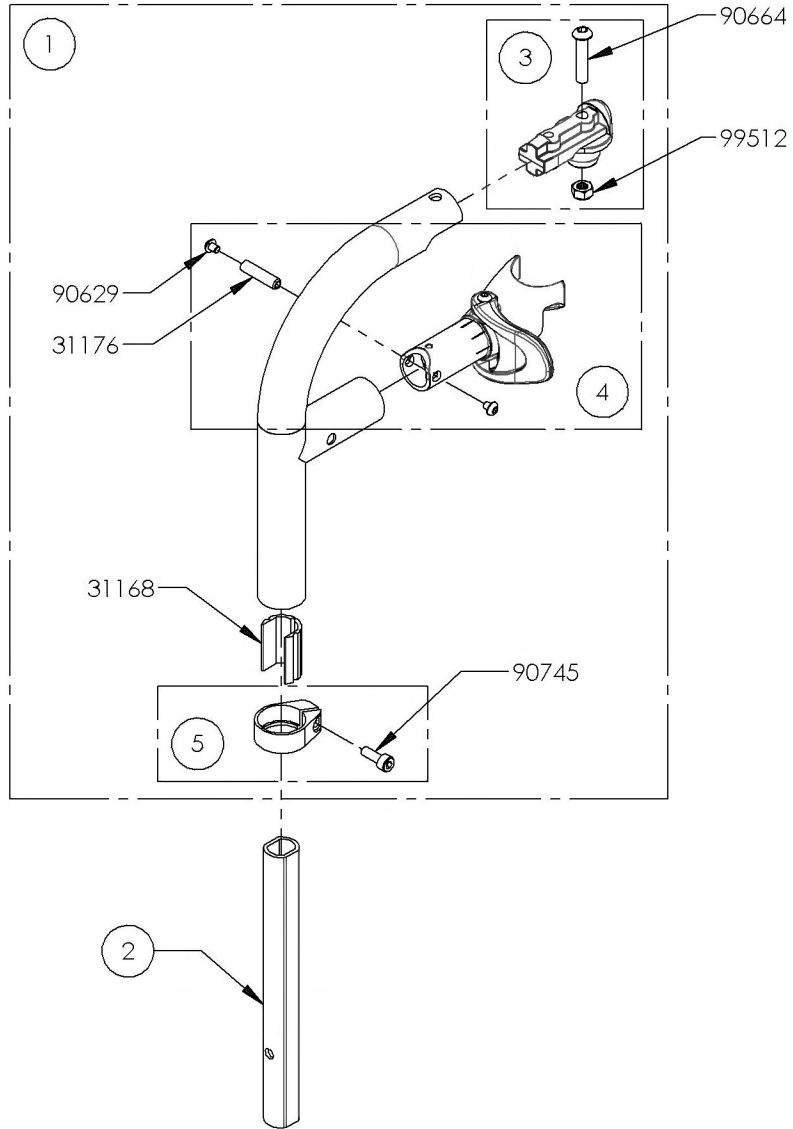


9001332 -
 Footrest - Swing-In/Swing-Out, Left,
 70° - Black

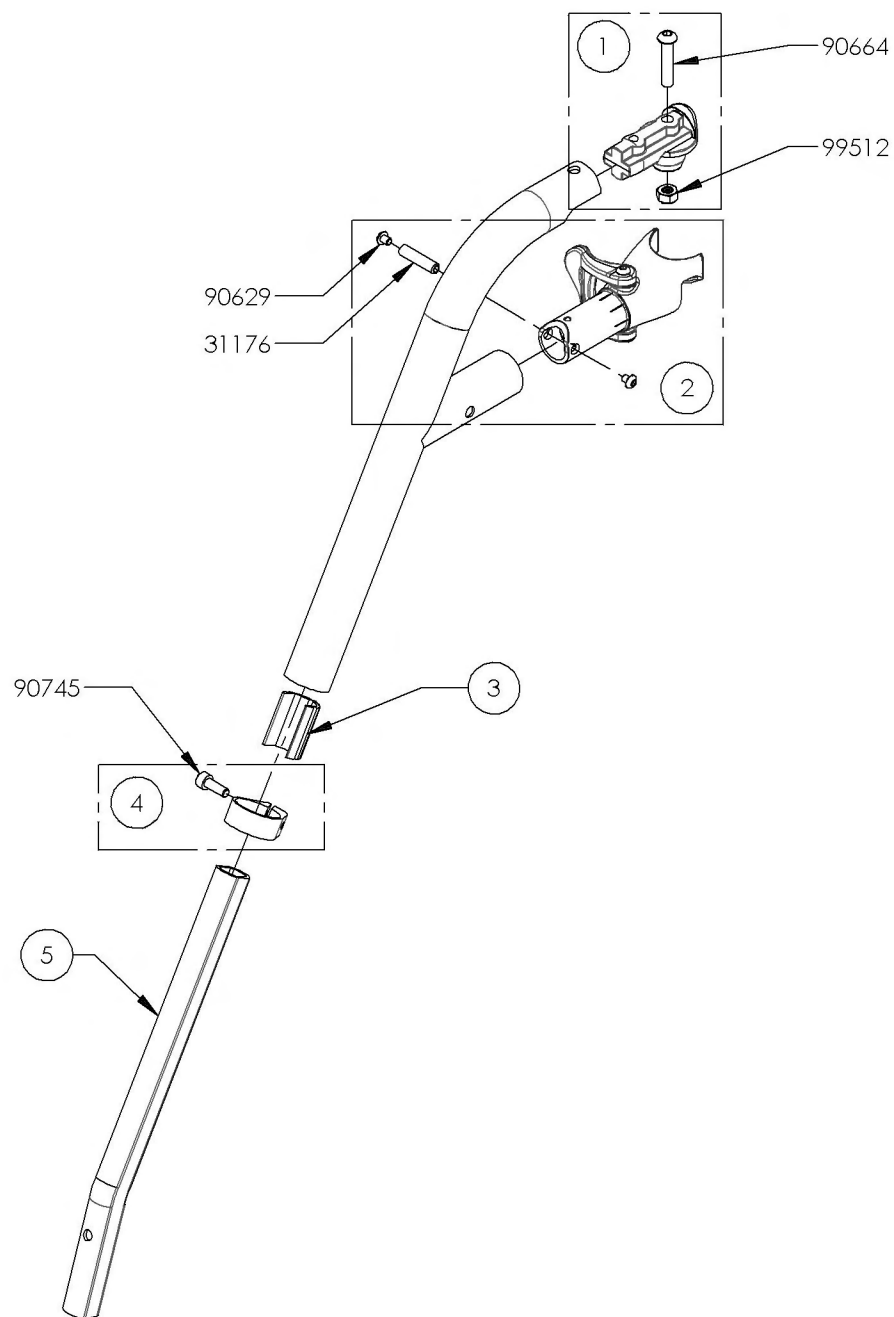


9001333
Footrest - Swing-In/Swing-Out, Left, 90° - Black

ITEM NO.	PARTNO	DESCRIPTION	9001333 /QTY.	REPLACEMENT PARTS/QTY.
1	31548	V2 FOOTREST 90° LEFT - ASSEMBLY	1	-
2	31198	V2 FOOTREST 90° EXTENSION	1	-
3	31551	V2 FOOTREST PIVOT - ASSEMBLY	-	1
4	31549	V2 FOOTREST HOUSING LEFT - ASSEMBLY	-	1
5	31553	V2 FOOTREST EXTENSION LEFT CLAMP - ASSEMBLY	-	1

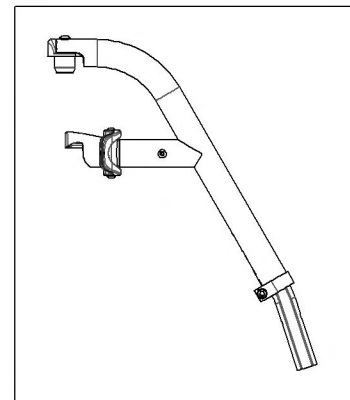


9001334_9001335
Footrest - Swing-In/Swing-Out, Right (Specify Color)

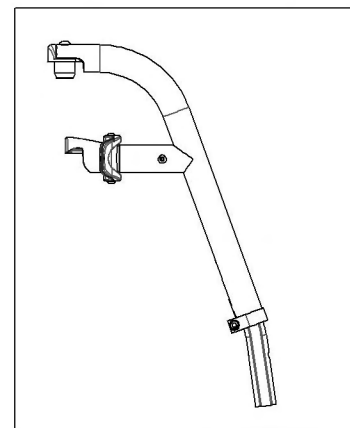


ITEM NO.	PARTNO	DESCRIPTION	9001334 /QTY.	9001335 /QTY.
1	31551	V2 FOOTREST PIVOT - ASSEMBLY	1	1
2	31550	V2 FOOTREST HOUSING RIGHT - ASSEMBLY	1	1
3	31168	V2 FOOTREST GUIDE SLEEVE	1	1
4	31552	V2 FOOTREST EXTENSION RIGHT CLAMP - ASSEMBLY	1	1
5	31169	V2 FOOTREST EXTENSION	1	1

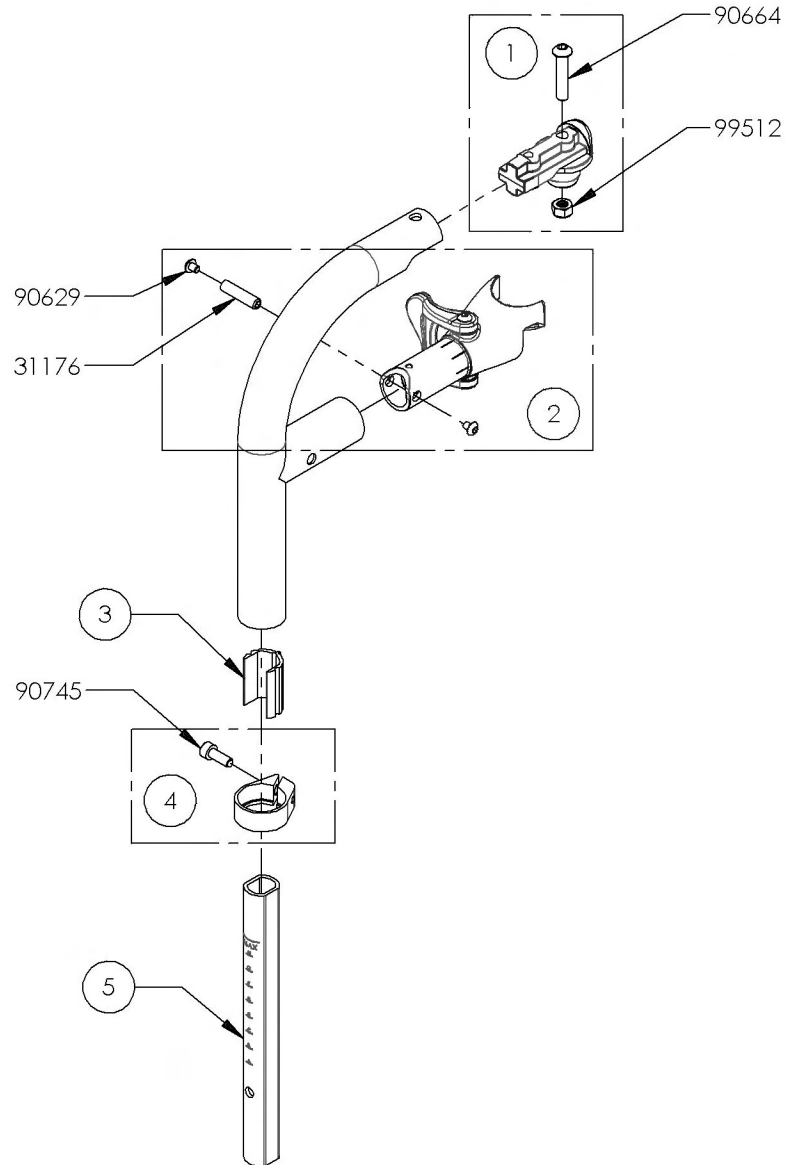
9001334 -
 Footrest - Swing-In/Swing-Out,
 Right, 60° (Specify Color)



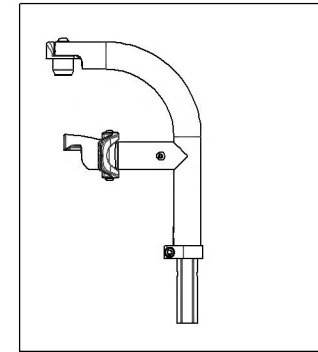
9001335 -
 Footrest - Swing-In/Swing-Out,
 Right, 70° (Specify Color)



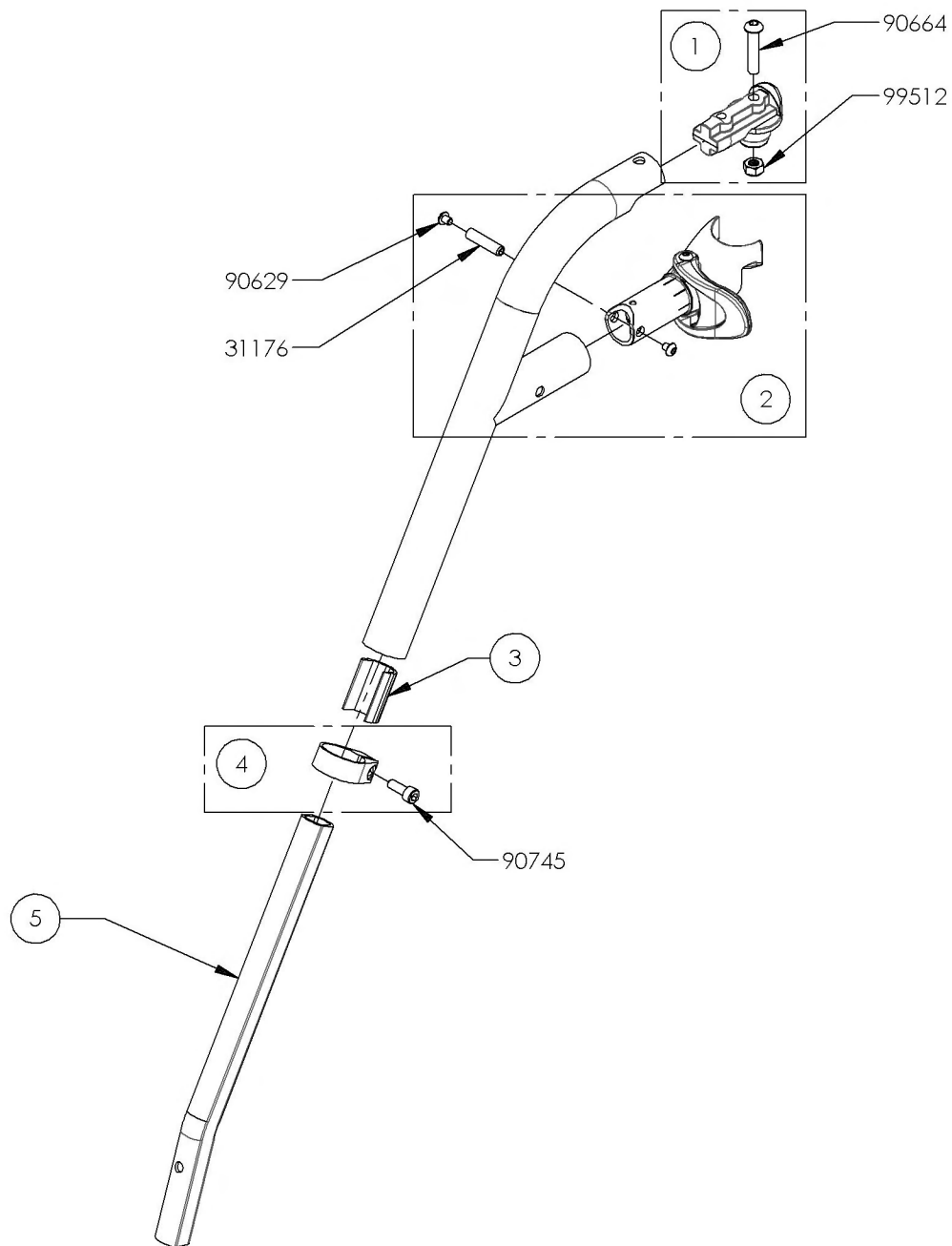
9001336
Footrest - Swing-In/Swing-Out, Right, 90° (Specify Color)



ITEM NO.	PARTNO	DESCRIPTION	9001336 /QTY.
1	31551	V2 FOOTREST PIVOT - ASSEMBLY	1
2	31550	V2 FOOTREST HOUSING RIGHT - ASSEMBLY	1
3	31168	V2 FOOTREST GUIDE SLEEVE	1
4	31552	V2 FOOTREST EXTENSION RIGHT CLAMP - ASSEMBLY	1
5	31198	V2 FOOTREST 90° EXTENSION	1

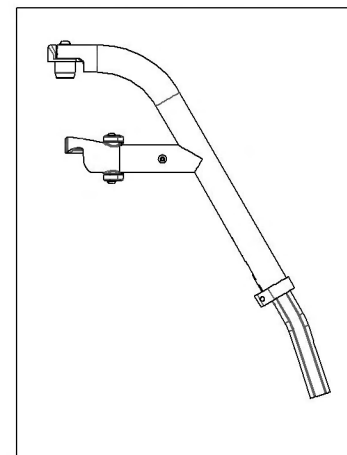


9001337_9001338
Footrest - Swing-In/Swing-Out, Left (Specify Color)

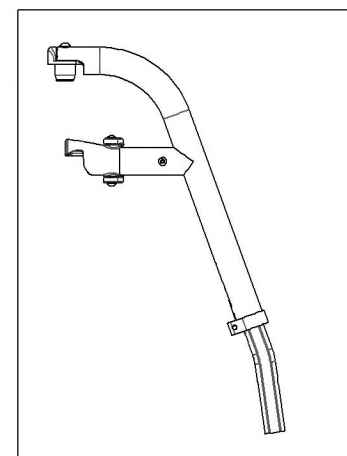


ITEM NO.	PARTNO	DESCRIPTION	9001337 /QTY.	9001338 /QTY.
1	31551	V2 FOOTREST PIVOT - ASSEMBLY	1	1
2	31549	V2 FOOTREST HOUSING LEFT - ASSEMBLY	1	1
3	31168	V2 FOOTREST GUIDE SLEEVE	1	1
4	31553	V2 FOOTREST EXTENSION LEFT CLAMP - ASSEMBLY	1	1
5	31169	V2 FOOTREST EXTENSION	1	1

9001337 -
 Footrest - Swing-In/Swing-Out,
 Left, 60° (Specify Color)

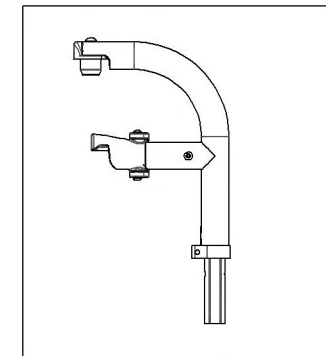
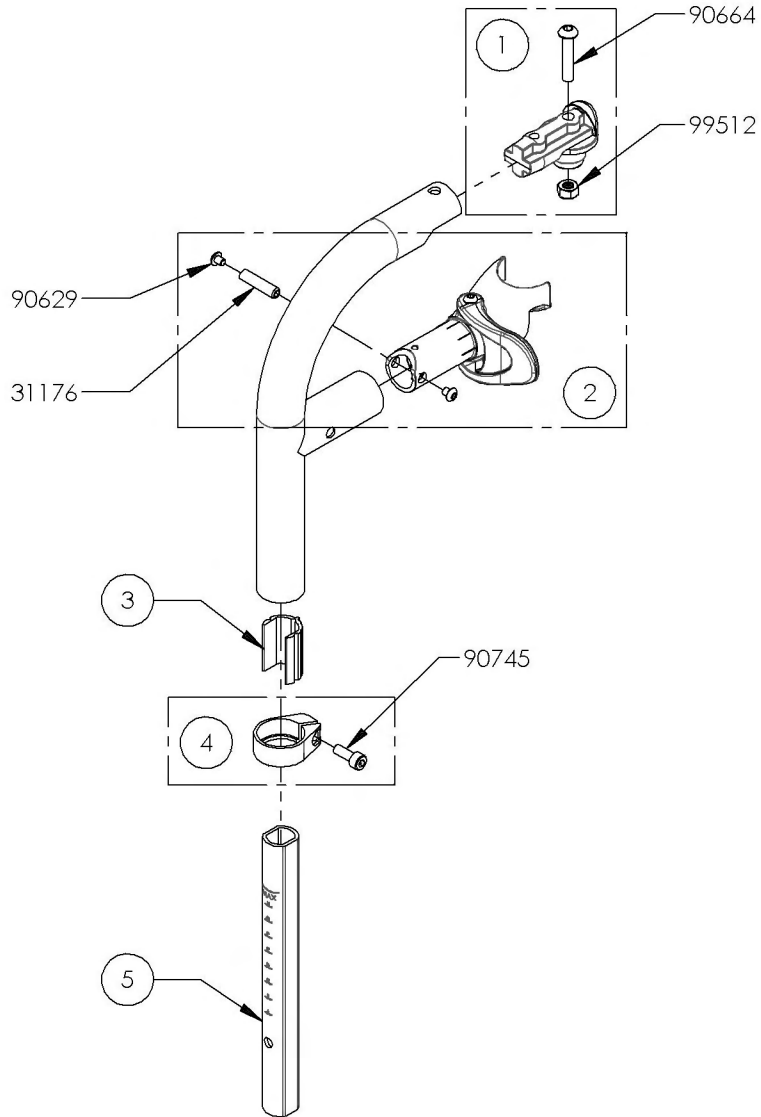


9001338 -
 Footrest - Swing-In/Swing-Out,
 Left, 70° (Specify Color)



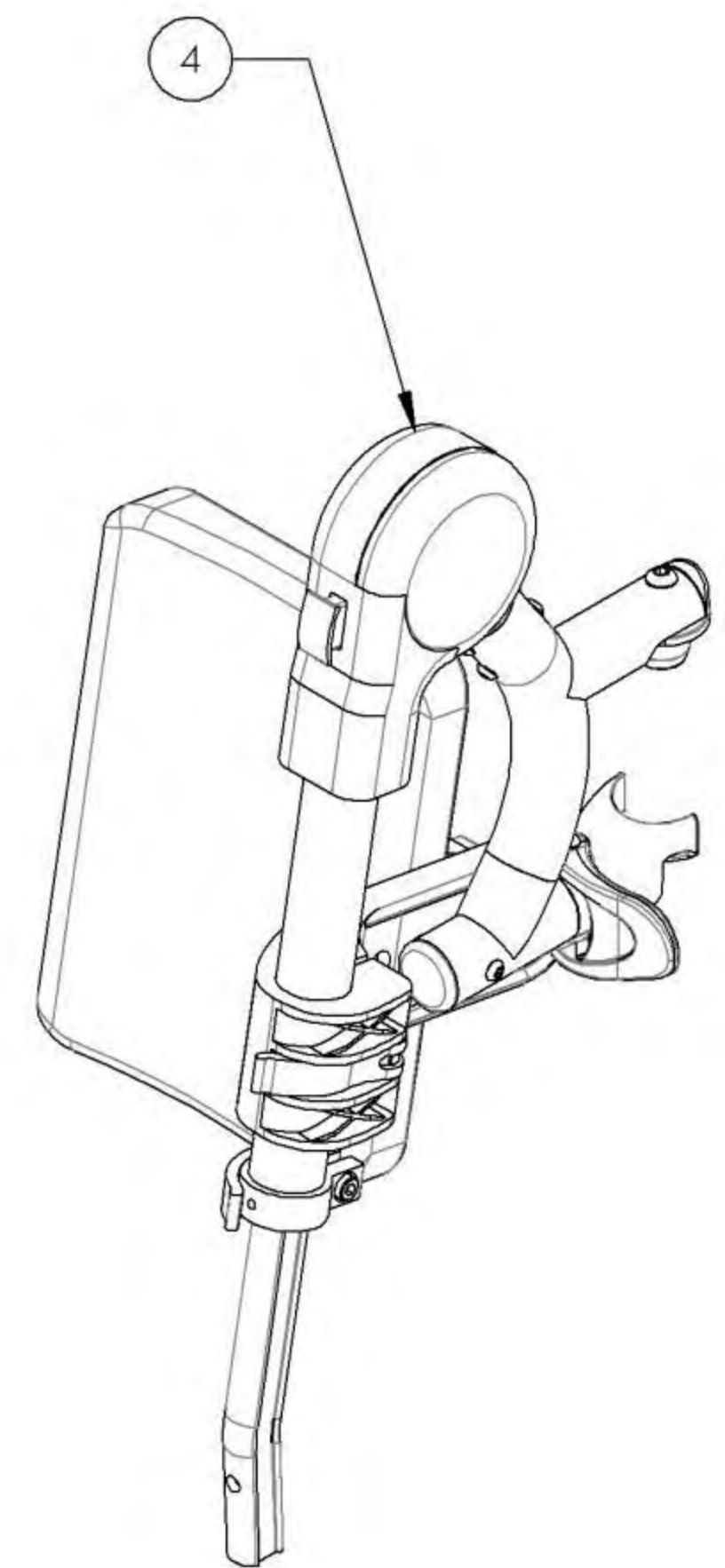
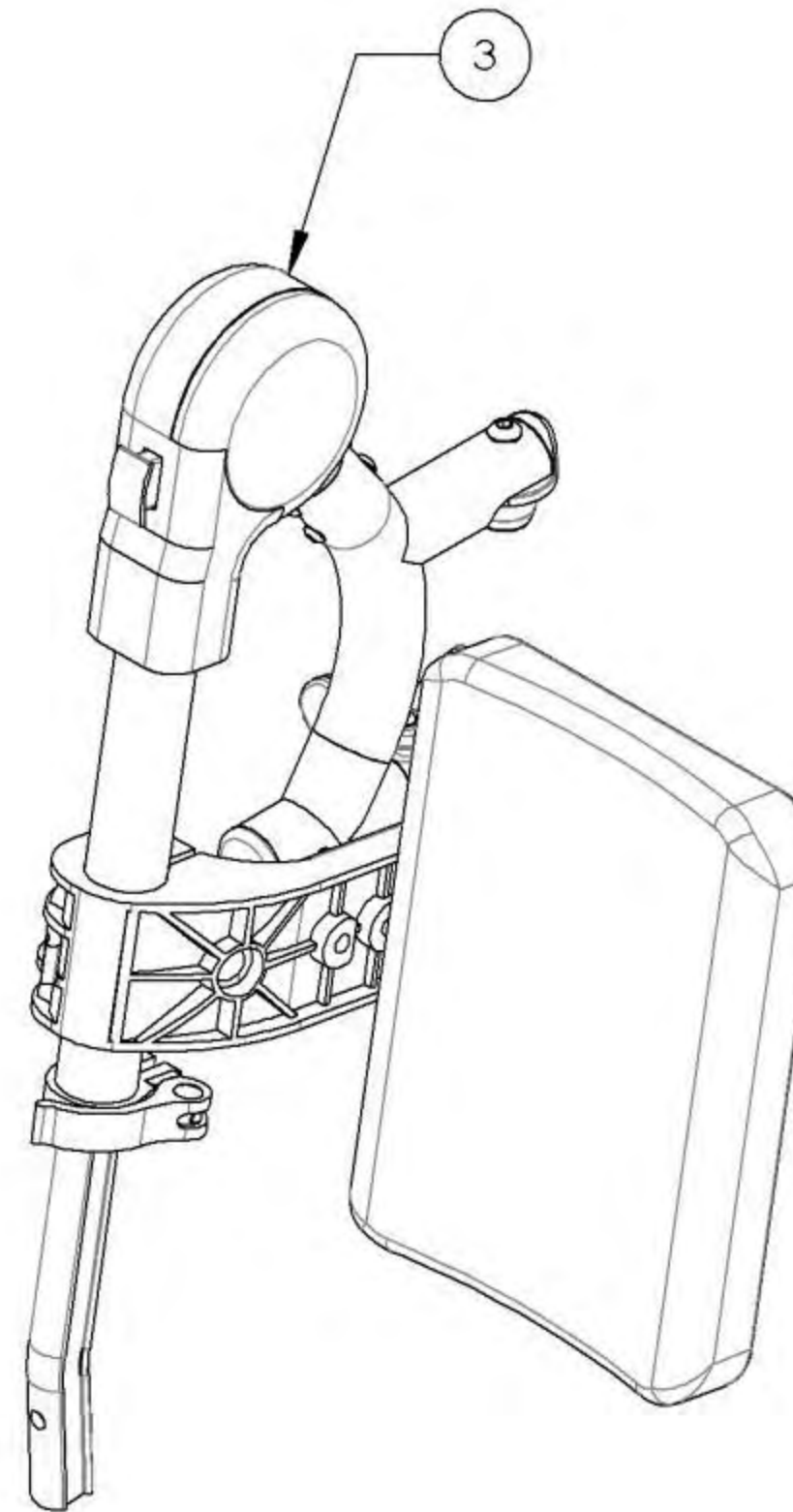
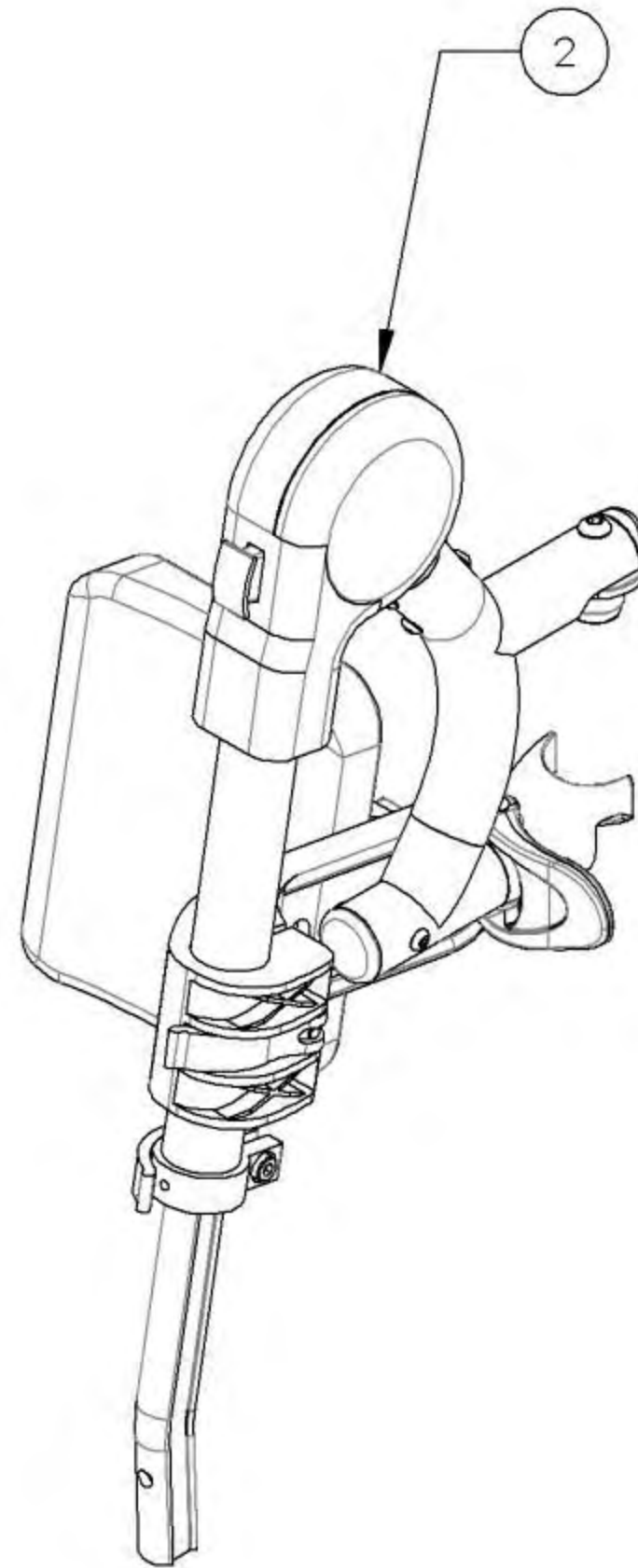
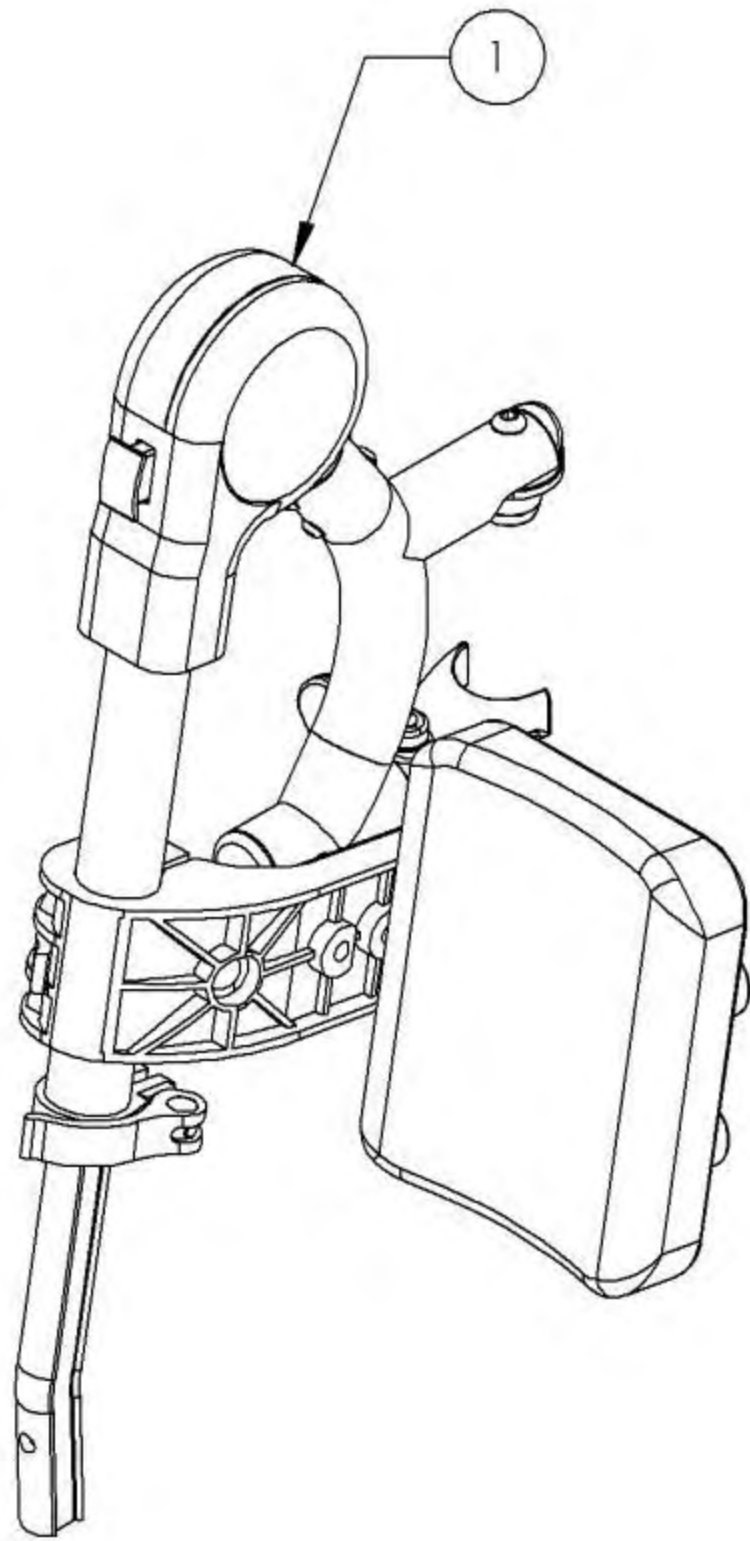
9001339
Footrest - Swing-In/Swing-Out, Left, 90° (Specify Color)

ITEM NO.	PARTNO	DESCRIPTION	9001339 /QTY.
1	31551	V2 FOOTREST PIVOT - ASSEMBLY	1
2	31549	V2 FOOTREST HOUSING LEFT - ASSEMBLY	1
3	31168	V2 FOOTREST GUIDE SLEEVE	1
4	31553	V2 FOOTREST EXTENSION LEFT CLAMP - ASSEMBLY	1
5	31198	V2 FOOTREST 90° EXTENSION	1



Footrest Catalogue
Elevating Legrests - Swing-In/Swing-Out

ITEM NO.	PARTNO	DESCRIPTION	QTY.
1	9001354	Elevating Legrest + Calf Pad - Swing-In/Swing-Out, Right (Wheelchair Width: 14 to 16 in)	1
2	9001356	Elevating Legrest + Calf Pad - Swing-In/Swing-Out, Left (Wheelchair Width: 14 to 16 in)	1
3	9001355	Elevating Legrest + Calf Pad - Swing-In/Swing-Out, Right (Wheelchair Width: 17 to 20 in)	1
4	9001357	Elevating Legrest + Calf Pad - Swing-In/Swing-Out, Left (Wheelchair Width: 17 to 20 in)	1

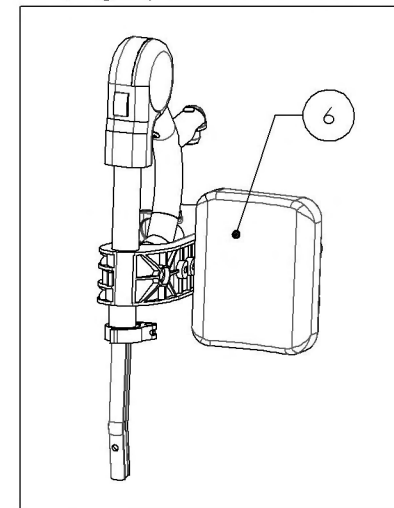
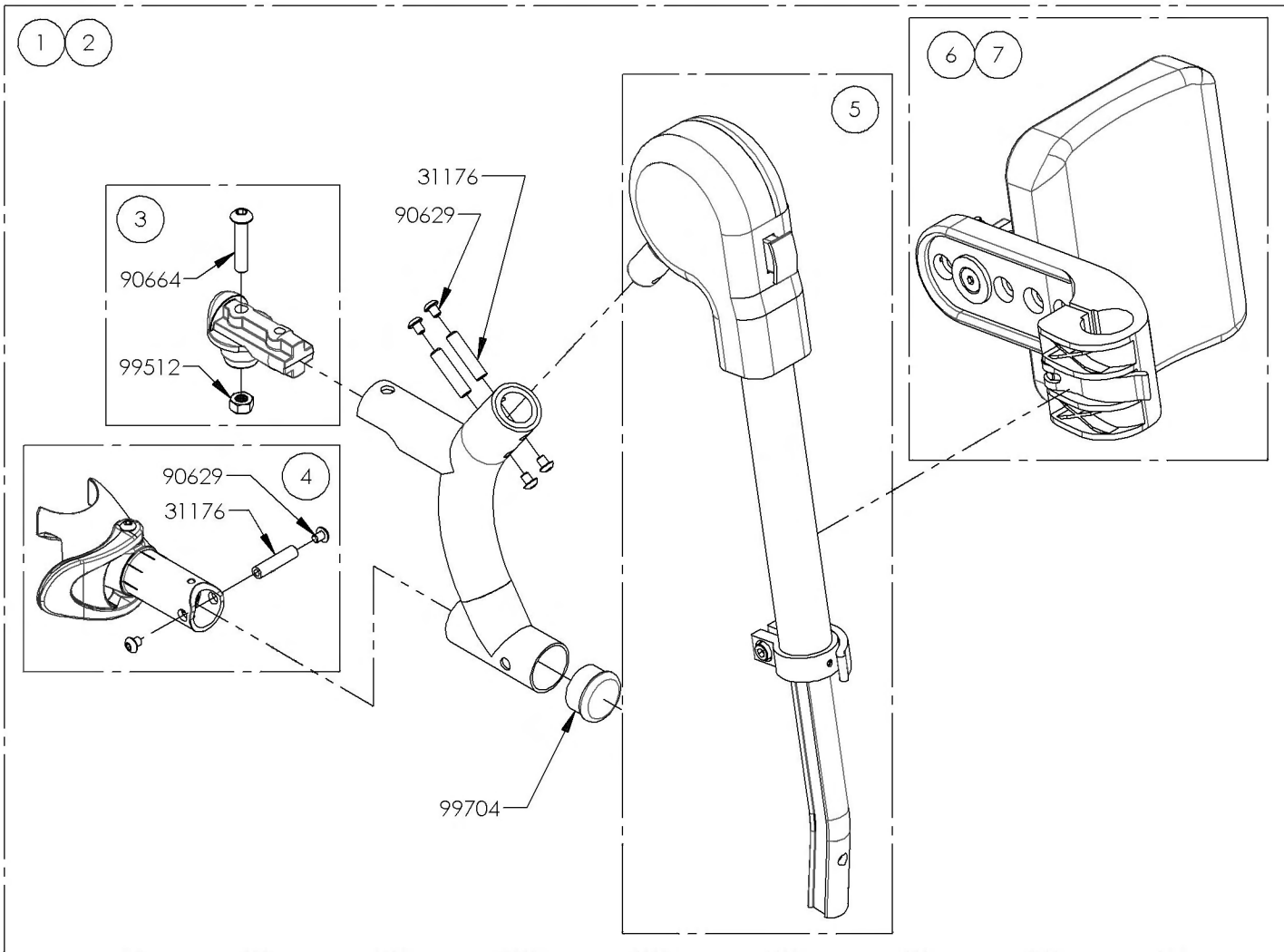


MAKE SURE TO HAVE YOUR SERIAL NUMBER
 NEARBY WHEN ORDERING PARTS FOR YOUR
 MOTION COMPOSITES WHEELCHAIR

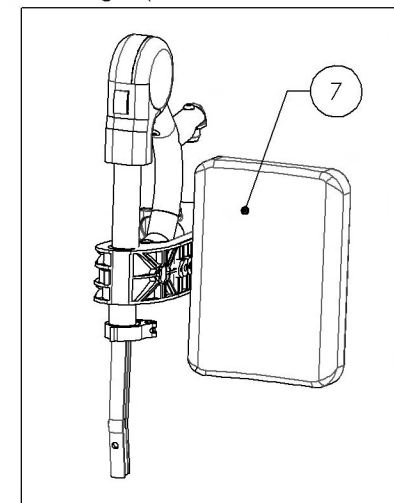
9001354_9001355
Elevating Legrest + Calf Pad - Swing-In/Swing-Out, Right

ITEM NO.	PARTNO	DESCRIPTION	9001354 /QTY.	9001355 /QTY.	REPLACEMENT PARTS/QTY.
1	31564	V2 ELEVATING LEGREST 14"-16" RIGHT	1	-	-
2	31568	V2 ELEVATING LEGREST 17"-20" RIGHT	-	1	-
3	31551	V2 FOOTREST PIVOT - ASSEMBLY	-	-	1
4	31550	V2 FOOTREST HOUSING RIGHT - ASSEMBLY	-	-	1
5	31144	MBL ELEVATING LEGREST	-	-	1
6	31140	14-16" RIGHT ELEVATING LEGREST CALF PAD	-	-	1
7	31142	17-20" RIGHT ELEVATING LEGREST CALF PAD	-	-	1

9001354
 Elevating Legrest + Calf Pad - Swing-In/Swing-Out, Right (Wheelchair Width: 14 to 16 in)

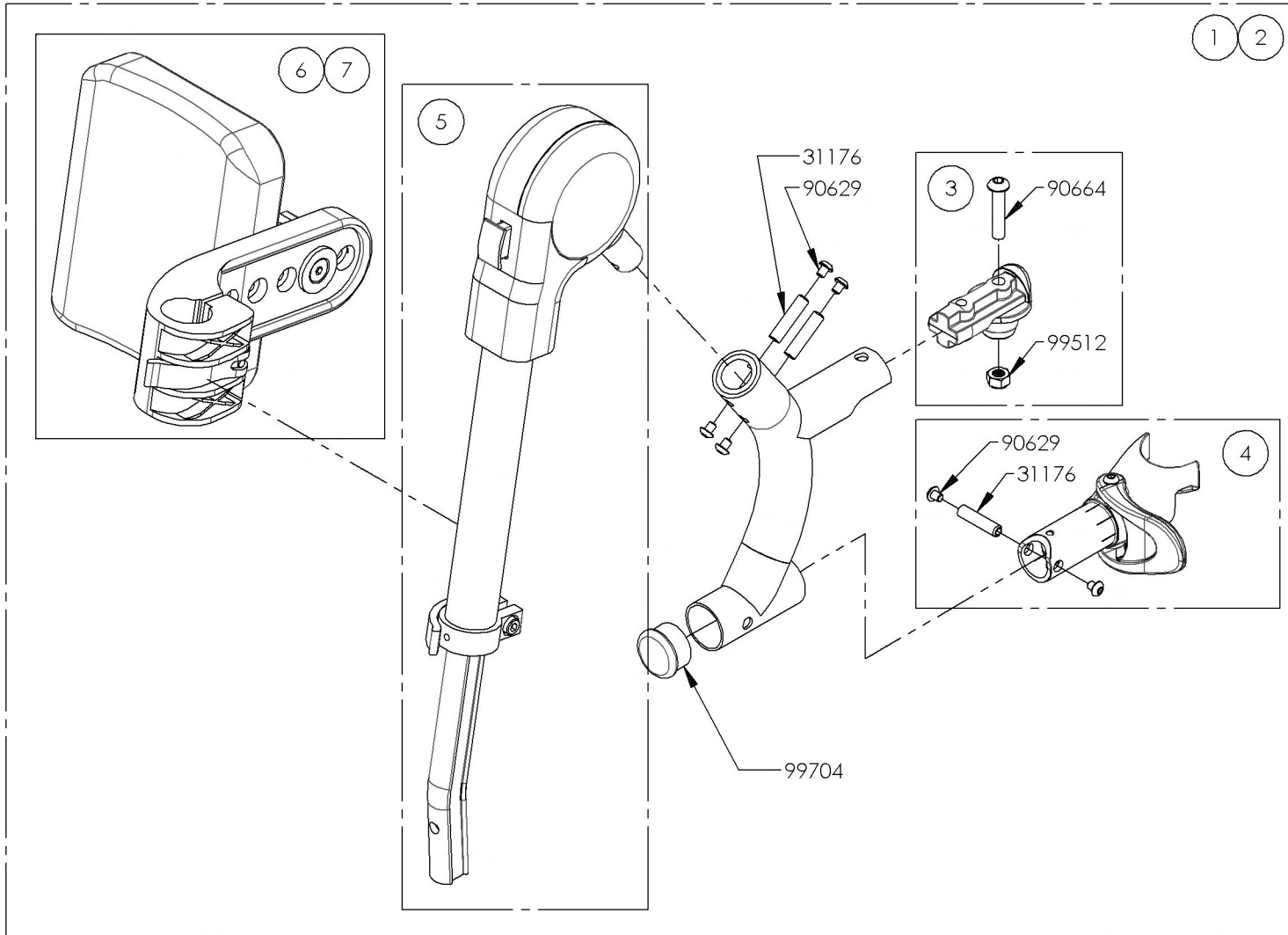


9001355
 Elevating Legrest + Calf Pad - Swing-In/Swing-Out, Right (Wheelchair Width: 17 to 20 in)

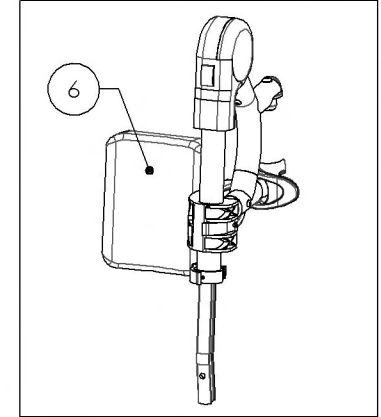


9001356_9001357
Elevating Legrest + Calf Pad - Swing-In/Swing-Out, Left

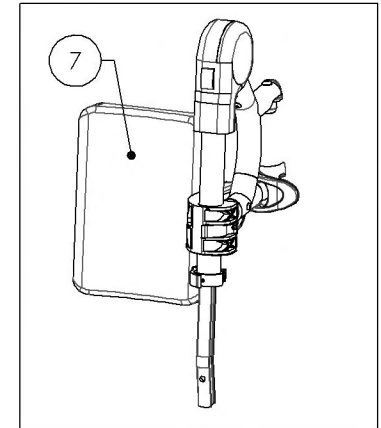
ITEM NO.	PARTNO	DESCRIPTION	9001356 /QTY.	9001357 /QTY.	REPLACEMENT PARTS/QTY.
1	31565	V2 ELEVATING LEGREST 14"-16" LEFT	1	-	-
2	31569	V2 ELEVATING LEGREST 17"-20" LEFT	-	1	-
3	31551	V2 FOOTREST PIVOT - ASSEMBLY	-	-	1
4	31549	V2 FOOTREST HOUSING LEFT - ASSEMBLY	-	-	1
5	31144	MBL ELEVATING LEGREST	-	-	1
6	31141	14-16" LEFT ELEVATING LEGREST CALF PAD	-	-	1
7	31143	17-20" LEFT ELEVATING LEGREST CALF PAD	-	-	1



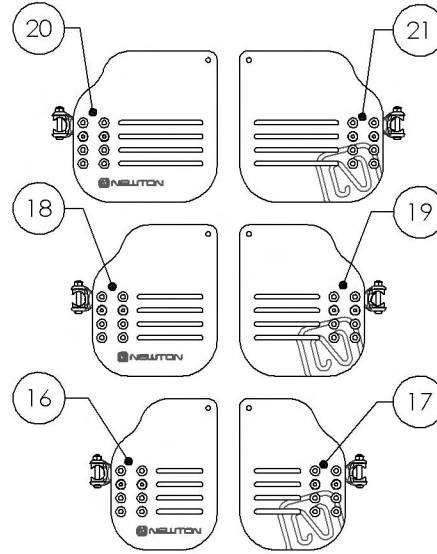
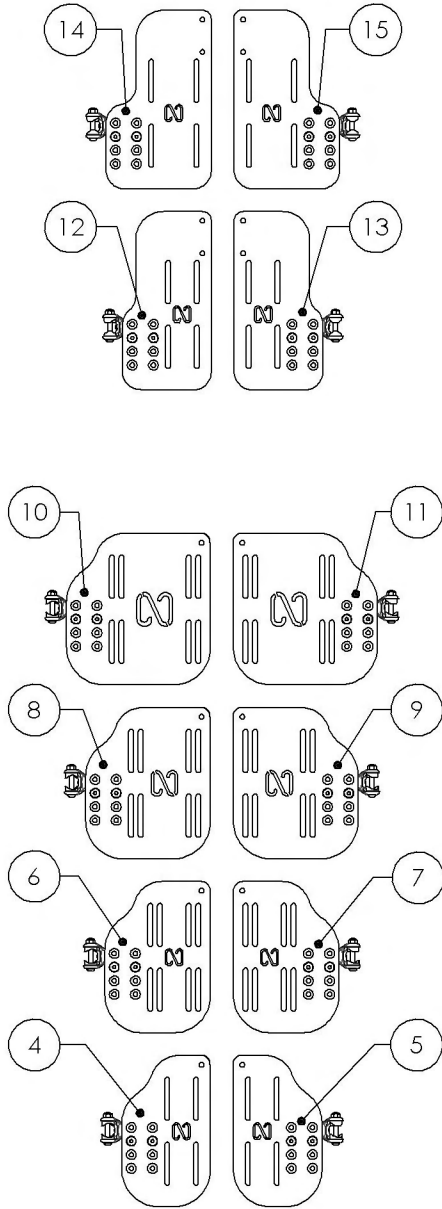
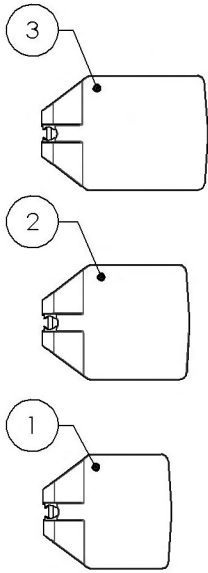
9001356
 Elevating Legrest + Calf Pad - Swing-In/Swing-Out, Left



9001357
 Elevating Legrest + Calf Pad - Swing-In/Swing-Out, Left

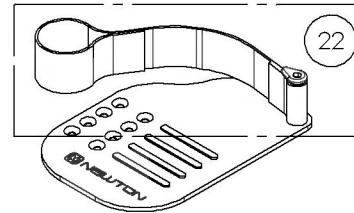


Footrest Catalogue Footplates



ITEM NO.	PARTNO	DESCRIPTION	QTY.
1	9001360	Footplate - Composite, 6 x 6 in (Wheelchair Width: 14 to 16 in)	1
2 *	9001361	Footplate - Composite, 7 x 6 in (Wheelchair Width: 17 to 18 in)	1
3 *	9001362	Footplate - Composite, 8 x 6 in (Wheelchair Width: 19 in+)	1
4	9001363	Footplate - Aluminium, Angle Adjustable, Right, 4½ x 8 in (Wheelchair Width: 12 to 13 in)	1
5	9001367	Footplate - Aluminium, Angle Adjustable, Left, 4½ x 8 in (Wheelchair Width: 12 to 13 in)	1
6	9001364	Footplate - Aluminium, Angle Adjustable, Right, 5½ x 8 in (Wheelchair Width: 14 to 16 in)	1
7	9001368	Footplate - Aluminium, Angle Adjustable, Left, 5½ x 8 in (Wheelchair Width: 14 to 16 in)	1
8 *	9001365	Footplate - Aluminium, Angle Adjustable, Right, 6½ x 8 in (Wheelchair Width: 17 to 18 in)	1
9 *	9001369	Footplate - Aluminium, Angle Adjustable, Left, 6½ x 8 in (Wheelchair Width: 17 to 18 in)	1
10 *	9001366	Footplate - Aluminium, Angle Adjustable, Right, 7½ x 8 in (Wheelchair Width: 19 in+)	1
11 *	9001370	Footplate - Aluminium, Angle Adjustable, Left, 7½ x 8 in (Wheelchair Width: 19 in+)	1
12	9001398	Footplate - Aluminium, Angle Adjustable, Extra Deep, Right, 4½ x 9½ in (Wheelchair Width: 12 to 13 in)	1
13	9001400	Footplate - Aluminium, Angle Adjustable, Extra Deep, Left, 4½ x 9½ in (Wheelchair Width: 12 to 13 in)	1
14	9001399	Footplate - Aluminium, Angle Adjustable, Extra Deep, Right, 5½ x 9½ in (Wheelchair Width: 14 to 15 in)	1
15	9001401	Footplate - Aluminium, Angle Adjustable, Extra Deep, Left, 5½ x 9½ in (Wheelchair Width: 14 to 15 in)	1
16	9001384	Footplate - Carbon Fiber, Angle Adjustable, Right, 5½ x 8 in (Wheelchair Width: 14 to 16 in)	1
17	9001387	Footplate - Carbon Fiber, Angle Adjustable, Left, 5½ x 8 in (Wheelchair Width: 14 to 16 in)	1
18 *	9001385	Footplate - Carbon Fiber, Angle Adjustable, Right, 6½ x 8 in (Wheelchair Width: 17 to 18 in)	1
19 *	9001388	Footplate - Carbon Fiber, Angle Adjustable, Left, 6½ x 8 in (Wheelchair Width: 17 to 18 in)	1
20 *	9001386	Footplate - Carbon Fiber, Angle Adjustable, Right, 7½ x 8 in (Wheelchair Width: 19 in+)	1
21 *	9001389	Footplate - Carbon Fiber, Angle Adjustable, Left, 7½ x 8 in (Wheelchair Width: 19 in+)	1
22	9001411	Heel Loop - Length Adjustable	1

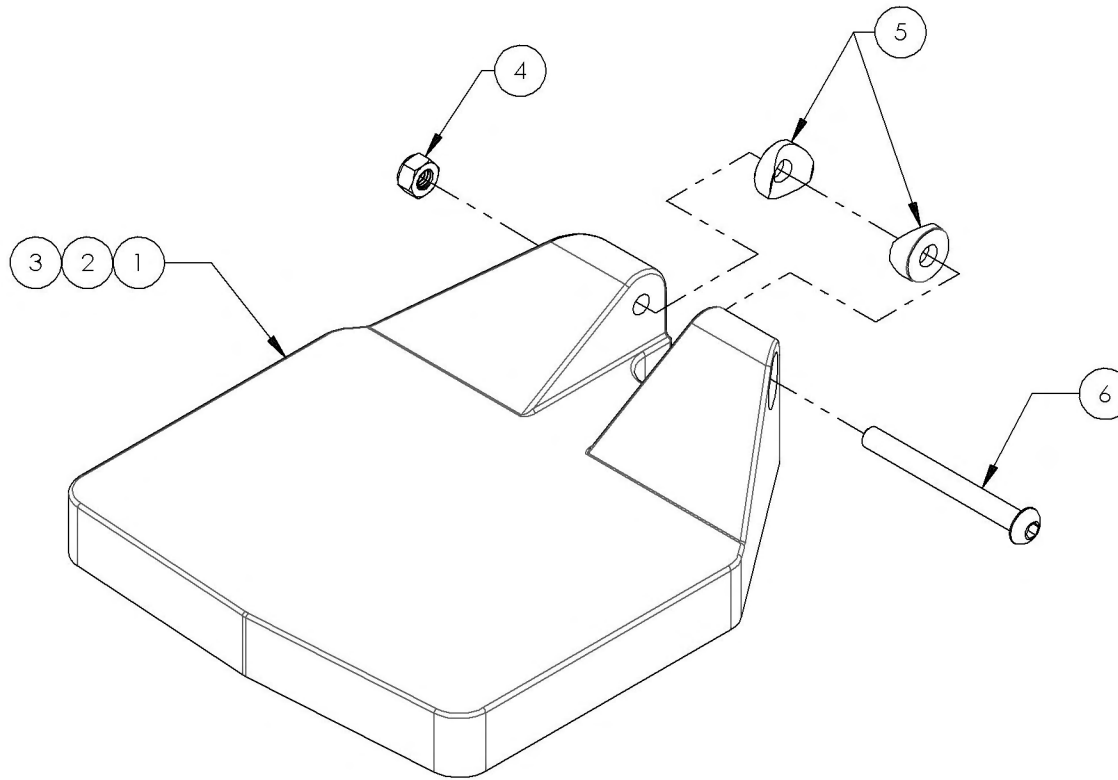
* : NOT AVAILABLE ON KIDS WHEELCHAIR



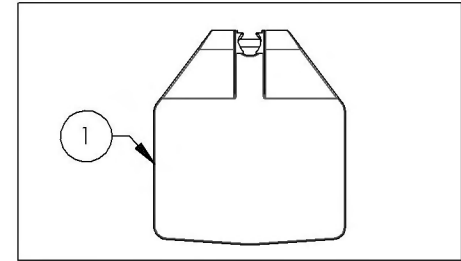
MAKE SURE TO HAVE YOUR SERIAL NUMBER NEARBY WHEN ORDERING PARTS FOR YOUR MOTION COMPOSITES WHEELCHAIR

9001360_9001362
Footplate - Composite

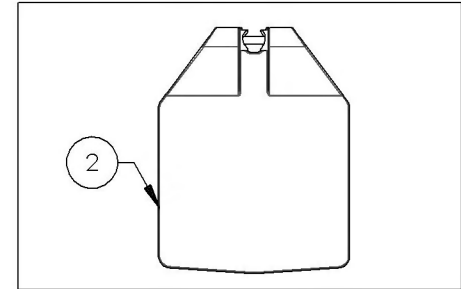
ITEM NO.	PARTNO	DESCRIPTION	9001360 /QTY.	9001361 /QTY.	9001362 /QTY.
1	31025	STANDARD FOOTPLATES (WHEELCHAIR WIDTH: 14" TO 16")	1	-	-
2	31026	STANDARD FOOTPLATES (WHEELCHAIR WIDTH: 17" TO 18"+)	-	1	-
3	31027	STANDARD FOOTPLATES (WHEELCHAIR WIDTH: 19"+)	-	-	1
4	99512	M6 LOW NYLON LOCK	1	1	1
5	31052	COVERED WASHER 1_4 x 3_4	2	2	2
6	90670	BUTTON HEAD CAP SCREW M6X1 X 58mm LONG, 24mm THREADED	1	1	1



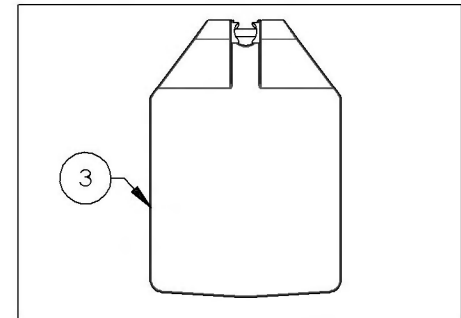
9001360
 Footplate - Composite, 6 x 6 in
 (Wheelchair Width: 14 to 16 in)



9001361
 Footplate - Composite, 7 x 6 in
 (Wheelchair Width: 17 to 18 in)

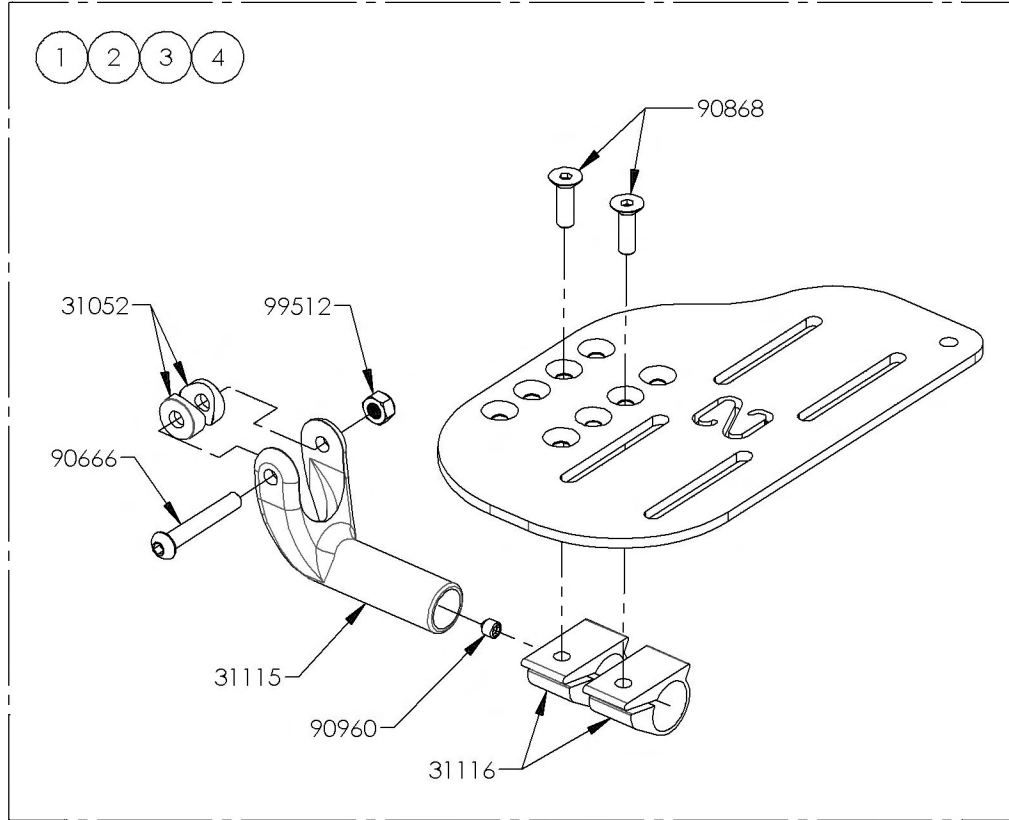


9001362
 Footplate - Composite, 8 x 6 in
 (Wheelchair Width: 19 in+)

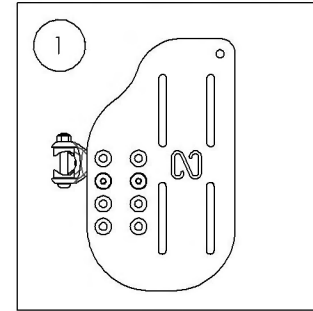


9001363_9001366
Footplate - Aluminium, Angle adjustable, Right

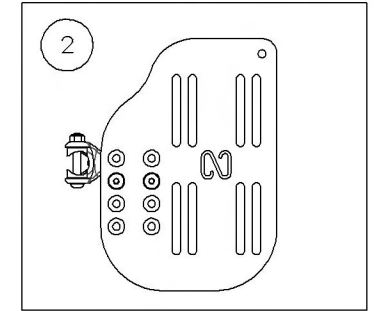
ITEM NO.	PARTNO	DESCRIPTION	9001363 /QTY.	9001364 /QTY.	9001365 /QTY.	9001366 /QTY.
1	31595	12"-13" ALUMINUM ANGLE ADJUSTABLE FOOTPLATE RIGHT - ASSEMBLY	1	-	-	-
2	31597	14"-16" ALUMINUM ANGLE ADJUSTABLE FOOTPLATE RIGHT - ASSEMBLY	-	1	-	-
3	31599	17"-18" ALUMINUM ANGLE ADJUSTABLE FOOTPLATE RIGHT - ASSEMBLY	-	-	1	-
4	31601	19"-20" ALUMINUM ANGLE ADJUSTABLE FOOTPLATE RIGHT - ASSEMBLY	-	-	-	1



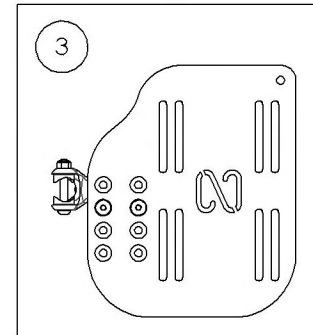
9001363
 Footplate - Aluminium, Angle Adjustable, Right, 4½ x 8 in (Wheelchair Width: 12 to 13 in)



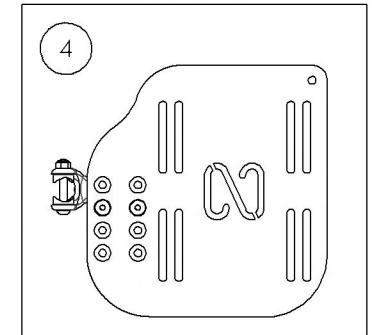
9001364
 Footplate - Aluminium, Angle Adjustable, Right, 5½ x 8 in (Wheelchair Width: 14 to 16 in)



9001365
 Footplate - Aluminium, Angle Adjustable, Right, 6½ x 8 in (Wheelchair Width: 17 to 18 in)



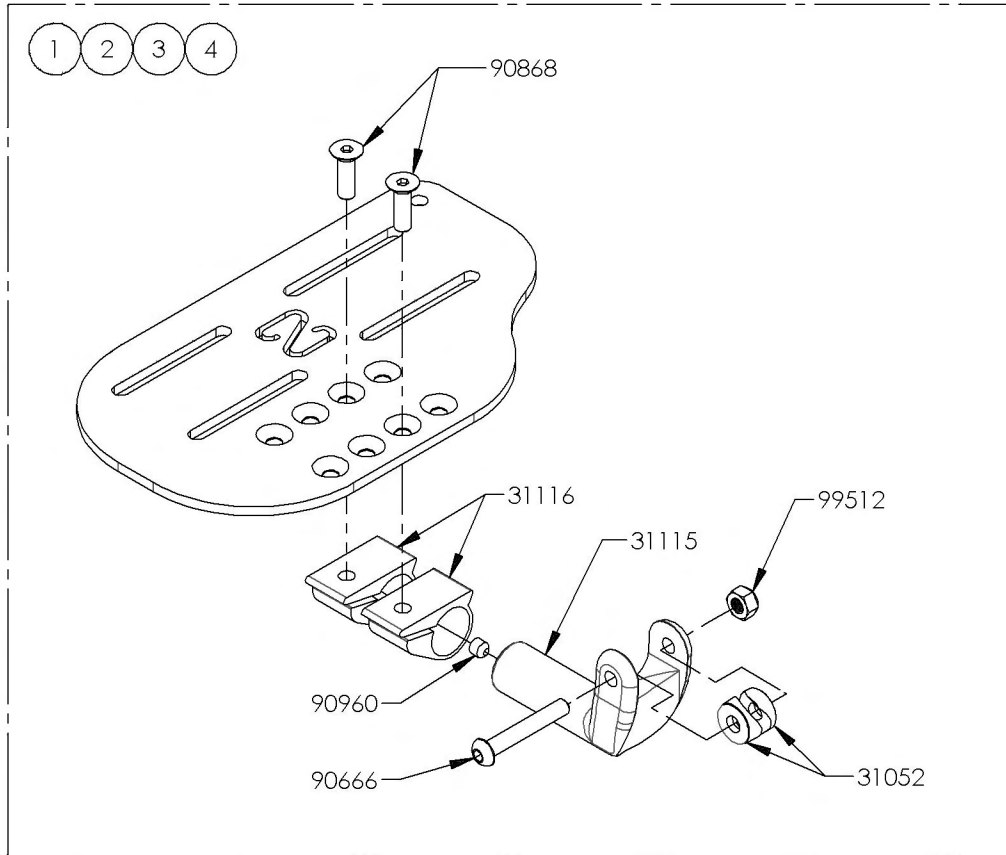
9001366
 Footplate - Aluminium, Angle Adjustable, Right, 7½ x 8 in (Wheelchair Width: 19 in+)



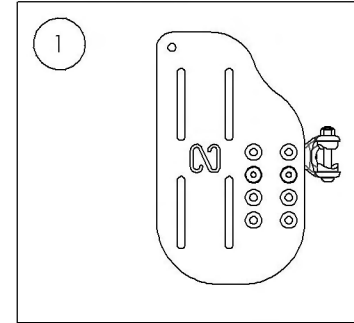
9001367_9001370

Footplate - Aluminium, Angle adjustable, Left

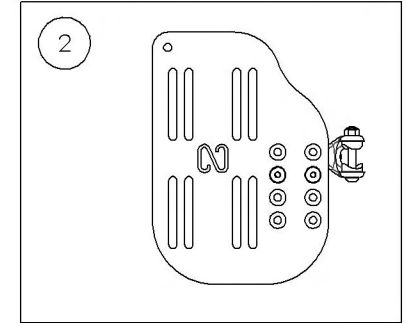
ITEM NO.	PARTNO	DESCRIPTION	9001367 /QTY.	9001368 /QTY.	9001369 /QTY.	9001370 /QTY.
1	31596	12"-13" ALUMINUM ANGLE ADJUSTABLE FOOTPLATE LEFT - ASSEMBLY	1	-	-	-
2	31598	14"-16" ALUMINUM ANGLE ADJUSTABLE FOOTPLATE LEFT - ASSEMBLY	-	1	-	-
3	31600	17"-18" ALUMINUM ANGLE ADJUSTABLE FOOTPLATE LEFT - ASSEMBLY	-	-	1	-
4	31602	19"-20" ALUMINUM ANGLE ADJUSTABLE FOOTPLATE LEFT - ASSEMBLY	-	-	-	1



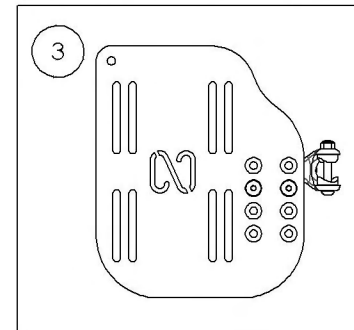
9001367
Footplate - Aluminium, Angle Adjustable, Left, 4½ x 8 in (Wheelchair Width: 12 to 13 in)



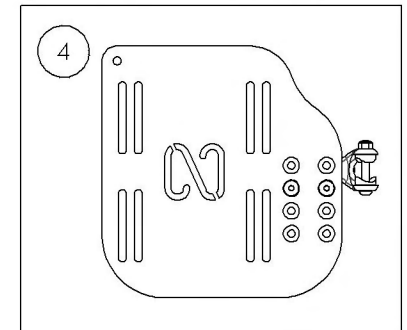
9001368
Footplate - Aluminium, Angle Adjustable, Left, 5½ x 8 in (Wheelchair Width: 14 to 16 in)



9001369
Footplate - Aluminium, Angle Adjustable, Left, 6½ x 8 in (Wheelchair Width: 17 to 18 in)



9001370
Footplate - Aluminium, Angle Adjustable, Left, 7½ x 8 in (Wheelchair Width: 19 in+)

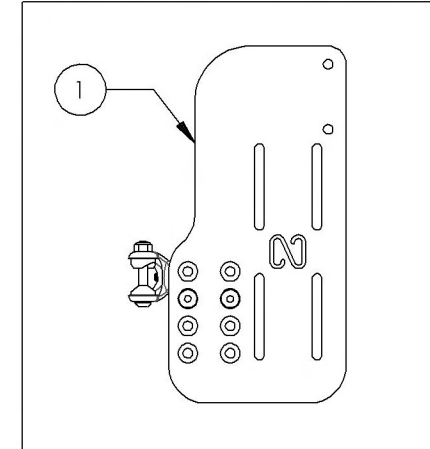


9001398_9001399

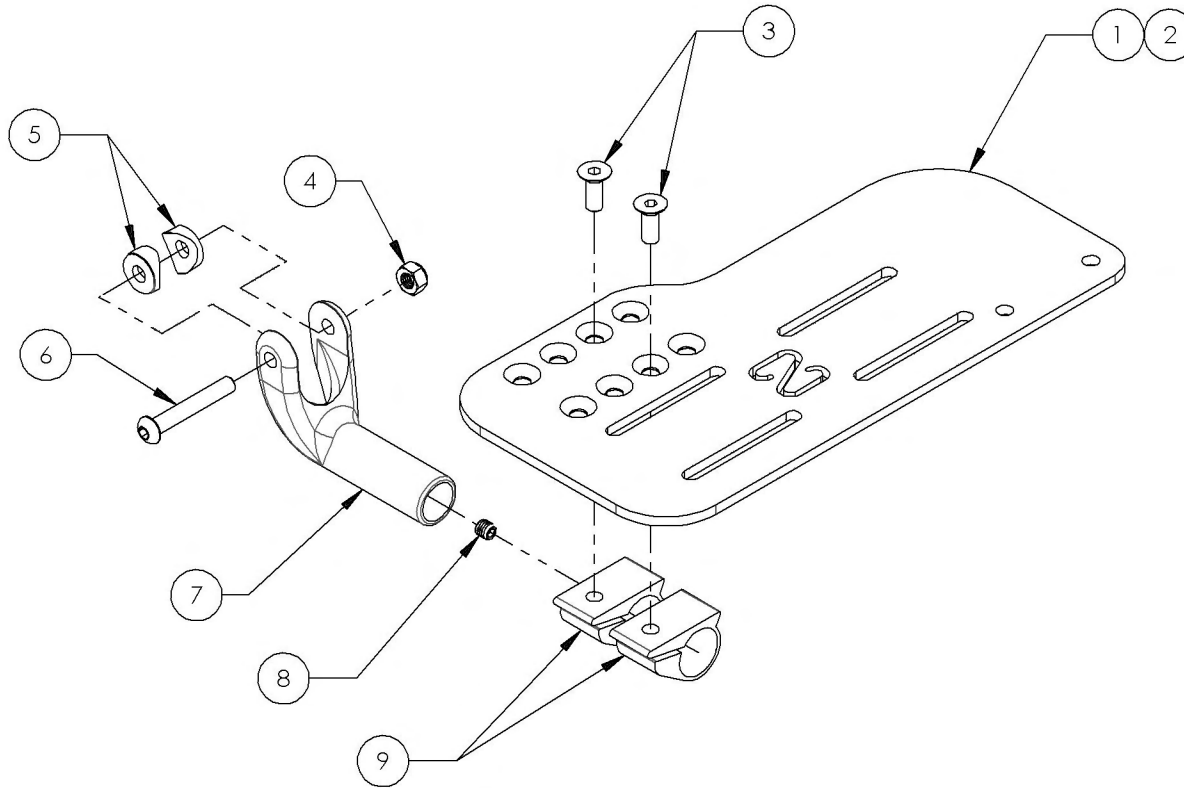
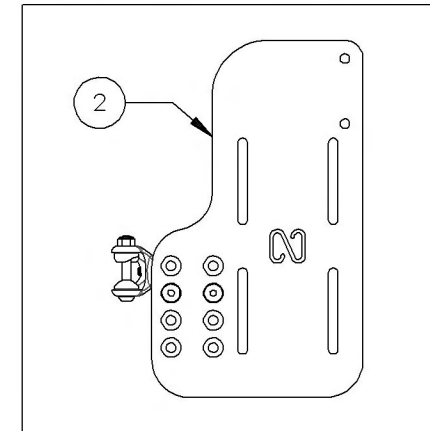
Footplate - Aluminium, Angle adjustable, Extra Deep, Right

ITEM NO.	PARTNO	DESCRIPTION	9001398 /QTY.	9001399 /QTY.
1	31126	X-LONG FOOTPLATE-RIGHT 12"-13"	1	-
2	31137	X-LONG FOOTPLATE-RIGHT 14"-15"	-	1
3	90866	FLAT HEAD CAP SCREW M6X1 X 16mm LONG, FULLY THREADED	2	2
4	99512	M6 LOW NYLON LOCK	1	1
5	31052	COVED WASHER 1_4 x 3_4	2	2
6	90666	BUTTON HEAD CAP SCREW M6X1 X 40mm LONG, 24mm THREADED	1	1
7	31115	ANGLE ADJUSTABLE FOOTPLATE PIVOT	1	1
8	90960	SET SCREW M6X1 X 6mm LONG	1	1
9	31116	ANGLE ADJUSTABLE FOOTPLATE CLAMP	2	2

9001398
Footplate - Aluminium, Angle Adjustable, Extra Deep, Right, 4½ x 9½ in (Wheelchair Width: 12 to 13 in)



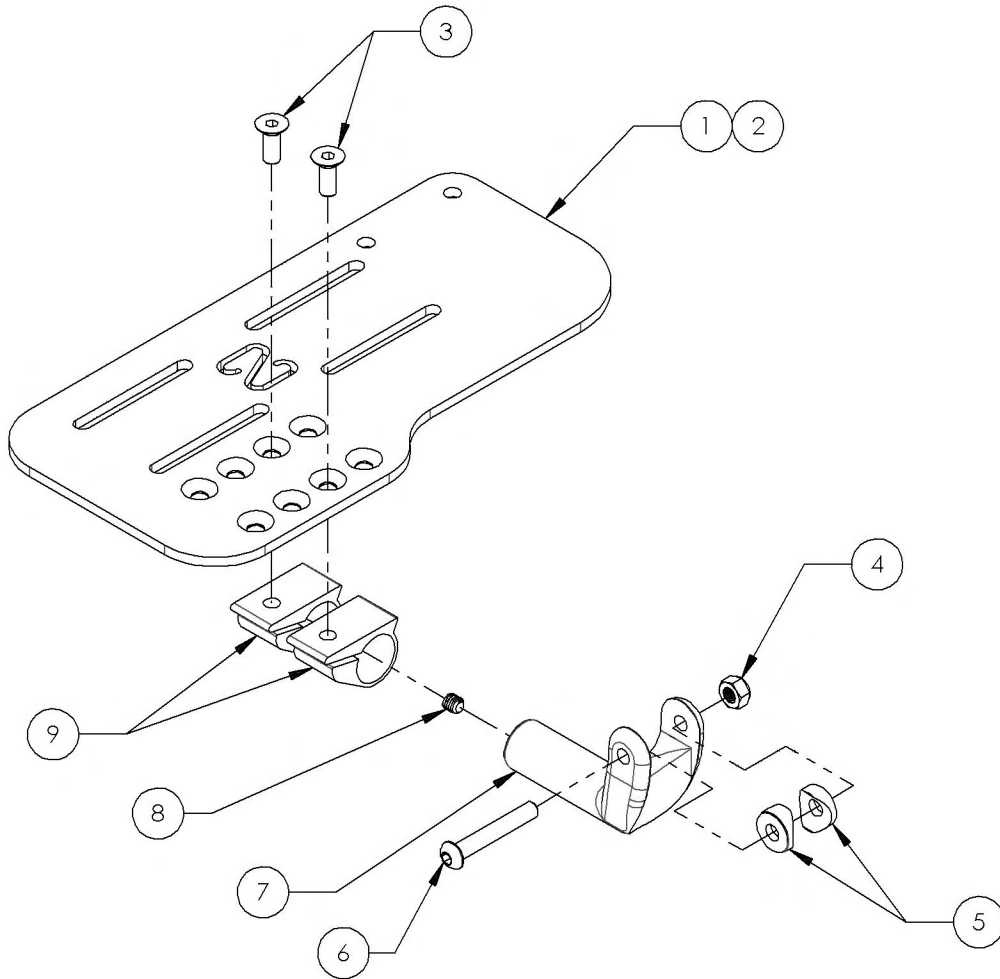
9001399
Footplate - Aluminium, Angle Adjustable, Extra Deep, Right, 5½ x 9½ in (Wheelchair Width: 14 to 15 in)



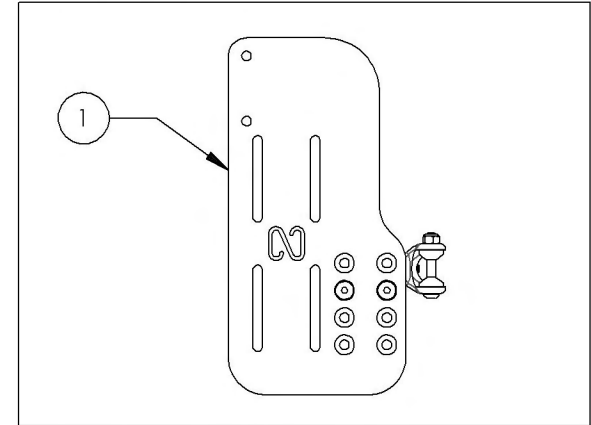
9001400_9001401

Footplate - Aluminium, Angle adjustable, Extra Deep, Left

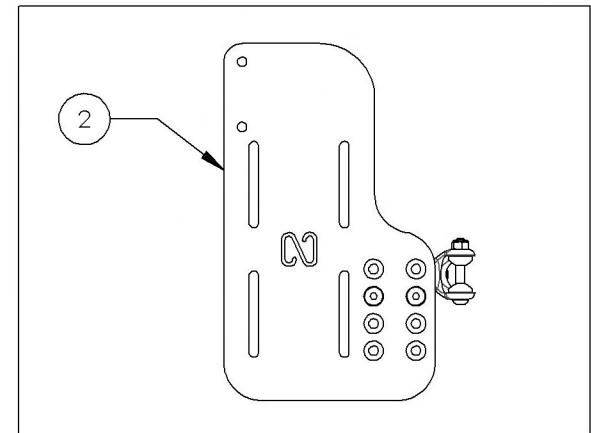
ITEM NO.	PARTNO	DESCRIPTION	9001400 /QTY.	9001401 /QTY.
1	31125	X-LONG FOOTPLATE-LEFT 12"-13"	1	-
2	31136	X-LONG FOOTPLATE-LEFT 14"-15"	-	1
3	90866	FLAT HEAD CAP SCREW M6X1 X 16mm LONG, FULLY THREADED	2	2
4	99512	M6 LOW NYLON LOCK	1	1
5	31052	COVED WASHER 1_4 x 3_4	2	2
6	90666	BUTTON HEAD CAP SCREW M6X1 X 40mm LONG, 24mm THREADED	1	1
7	31115	ANGLE ADJUSTABLE FOOTPLATE PIVOT	1	1
8	90960	SET SCREW M6X1 X 6mm LONG	1	1
9	31116	ANGLE ADJUSTABLE FOOTPLATE CLAMP	2	2



9001400
Footplate - Aluminium, Angle Adjustable, Extra Deep, Left, 4½ x 9½ in (Wheelchair Width: 12 to 13 in)



9001401
Footplate - Aluminium, Angle Adjustable, Extra Deep, Left, 5½ x 9½ in (Wheelchair Width: 14 to 15 in)

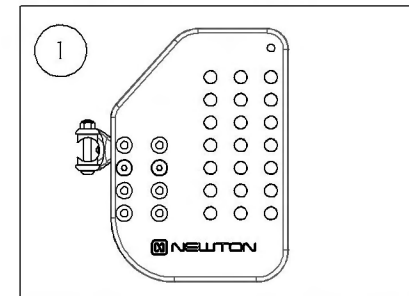


9001371_9001374

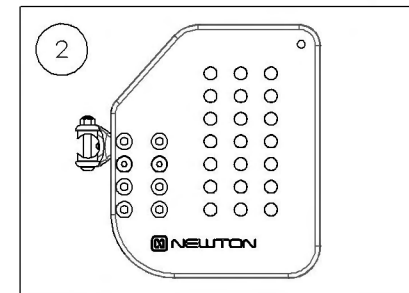
Footplate - Composite, Angle adjustable, Right

ITEM NO.	PARTNO	DESCRIPTION	9001372 /QTY.	9001373 /QTY.	9001374 /QTY.
1	31589	14-16" PLASTIC ANGLE ADJUSTABLE FOOTPLATE RIGHT - ASSEMBLY	1	-	-
2	31591	17-18" PLASTIC ANGLE ADJUSTABLE FOOTPLATE RIGHT - ASSEMBLY	-	1	-
3	31593	19-20" PLASTIC ANGLE ADJUSTABLE FOOTPLATE RIGHT - ASSEMBLY	-	-	1

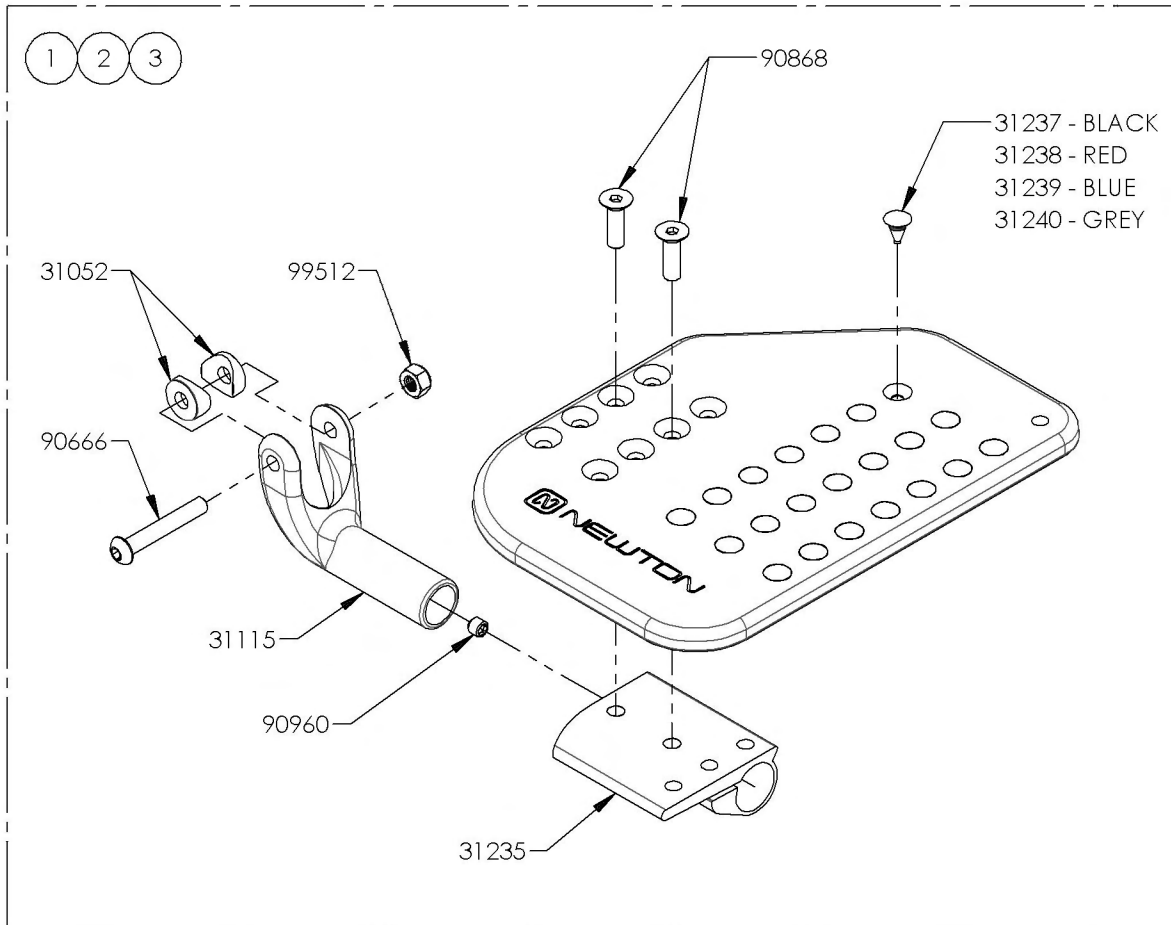
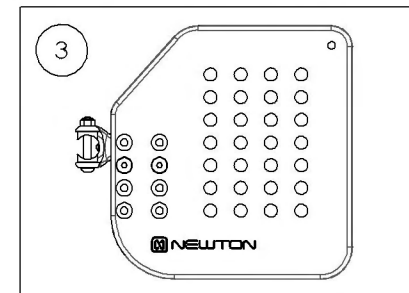
9001372
Footplate - Composite, Angle Adjustable, Right, 5½ x 8 in (Wheelchair Width: 14 to 16 in)



9001373
Footplate - Composite, Angle Adjustable, Right, 6½ x 8 in (Wheelchair Width: 17 to 18 in)



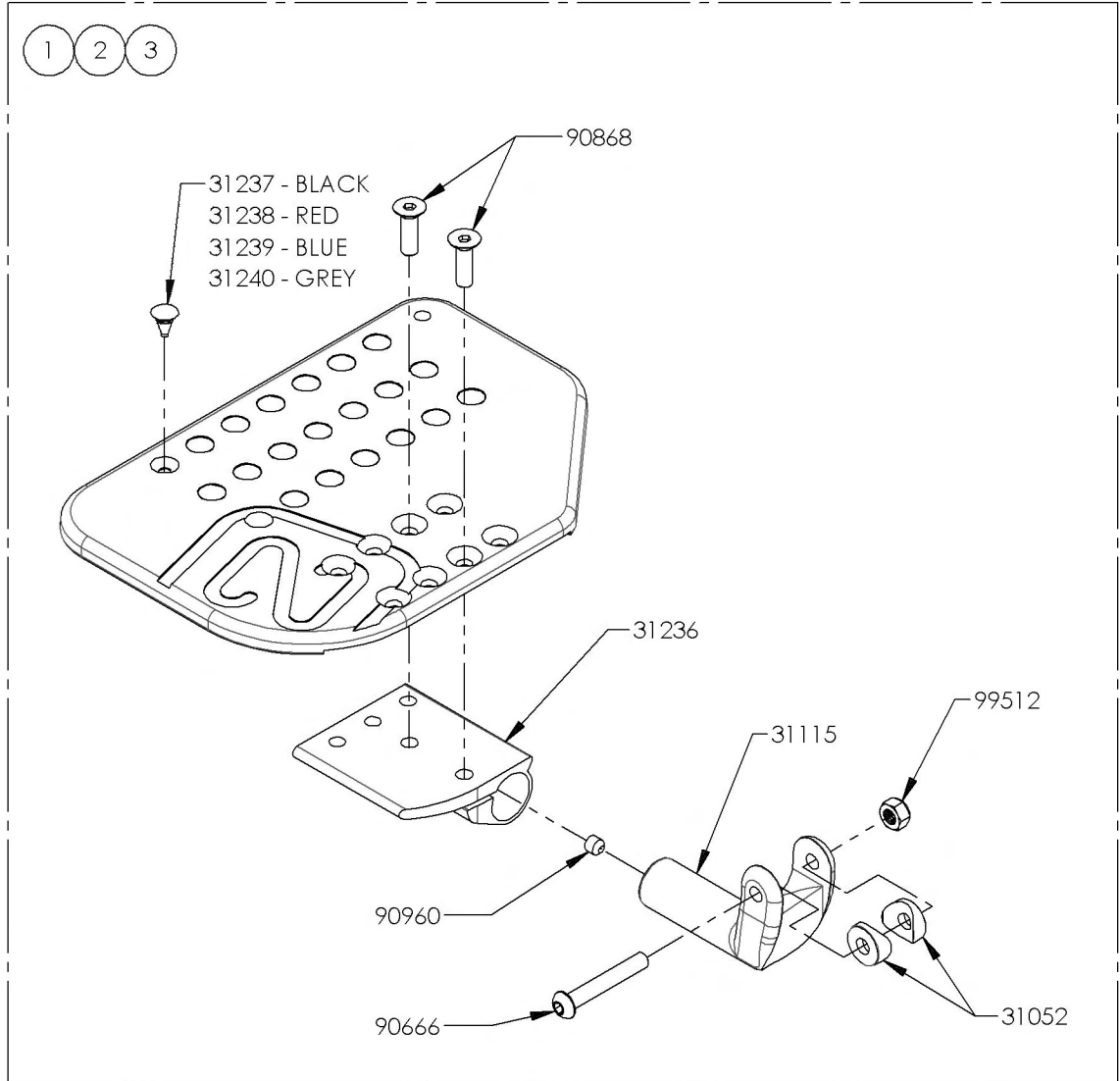
9001374
Footplate - Composite, Angle Adjustable, Right, 7½ x 8 in (Wheelchair Width: 19 in+)



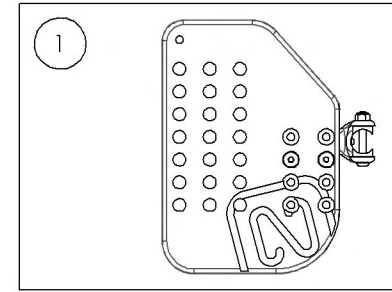
9001375_9001378

Footplate - Composite, Angle adjustable, Left

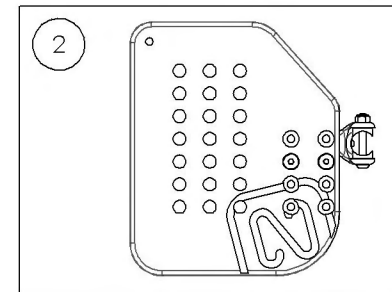
ITEM NO.	PARTNO	DESCRIPTION	9001376 /QTY.	9001377 /QTY.	9001378 /QTY.
1	31590	14-16" PLASTIC ANGLE ADJUSTABLE FOOTPLATE LEFT - ASSEMBLY	1	-	-
2	31592	17-18" PLASTIC ANGLE ADJUSTABLE FOOTPLATE LEFT - ASSEMBLY	-	1	-
3	31594	19-20" PLASTIC ANGLE ADJUSTABLE FOOTPLATE LEFT - ASSEMBLY	-	-	1



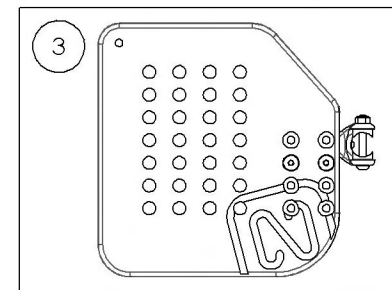
9001376
Footplate - Composite, Angle Adjustable, Left, 5½ x 8 in (Wheelchair Width: 14 to 16 in)



9001377
Footplate - Composite, Angle Adjustable, Left, 6½ x 8 in (Wheelchair Width: 17 to 18 in)



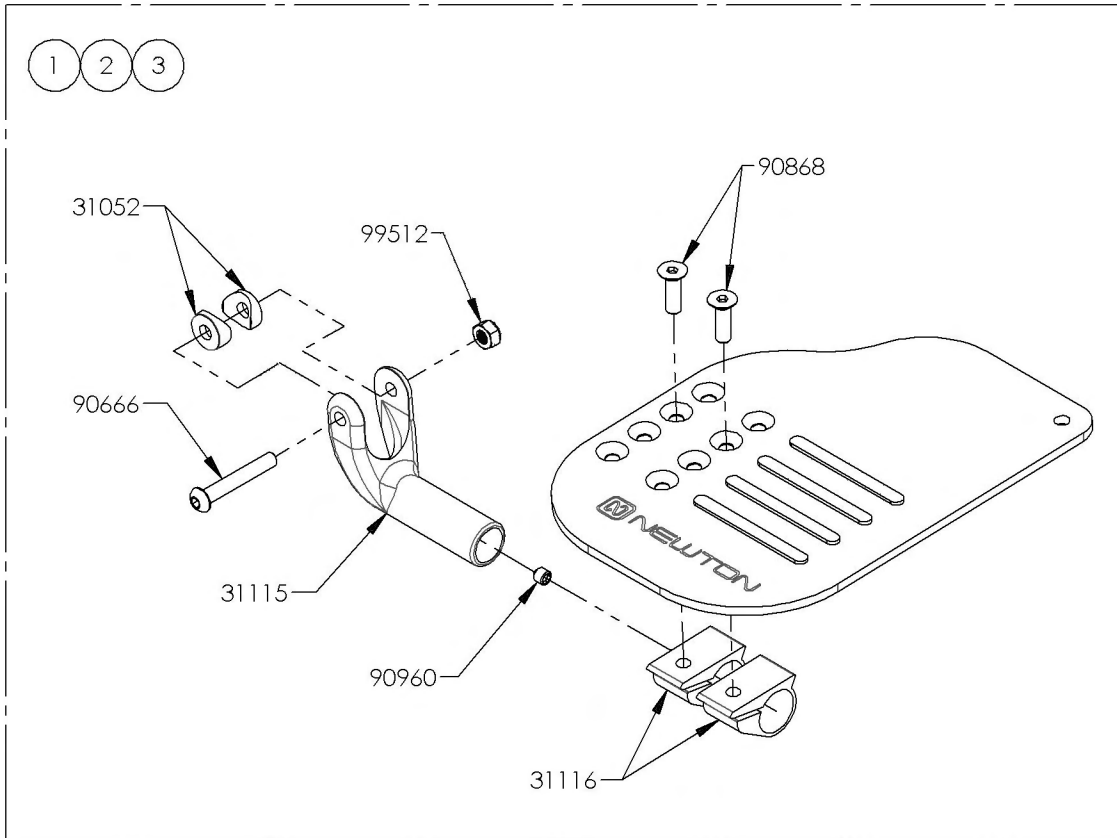
9001378
Footplate - Composite, Angle Adjustable, Left, 7½ x 8 in (Wheelchair Width: 19 in+)



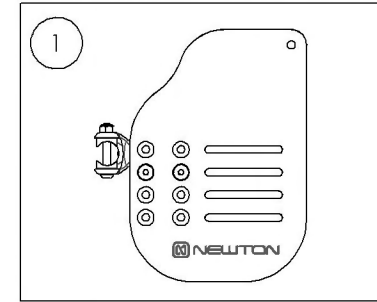
9001384_9001386

Footplate - Carbon Fiber, Angle Adjustable, Right

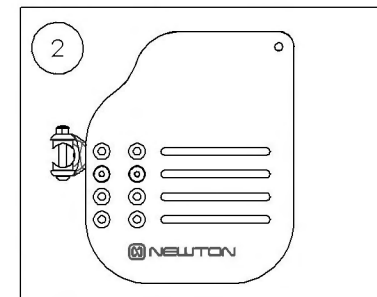
ITEM NO.	PARTNO	DESCRIPTION	9001384 /QTY.	9001385 /QTY.	9001386 /QTY.
1	31607	14-16" CARBON ANGLE ADJUSTABLE FOOTPLATE RIGHT - ASSEMBLY	1	-	-
2	31609	17-18" CARBON ANGLE ADJUSTABLE FOOTPLATE RIGHT - ASSEMBLY	-	1	-
3	31611	19-20" CARBON ANGLE ADJUSTABLE FOOTPLATE RIGHT - ASSEMBLY	-	-	1



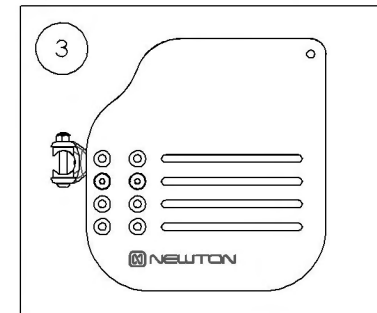
9001384
Footplate - Carbon Fiber, Angle Adjustable, Right, 5½ x 8 in (Wheelchair Width: 14 to 16 in)



9001385
Footplate - Carbon Fiber, Angle Adjustable, Right, 6½ x 8 in (Wheelchair Width: 17 to 18 in)



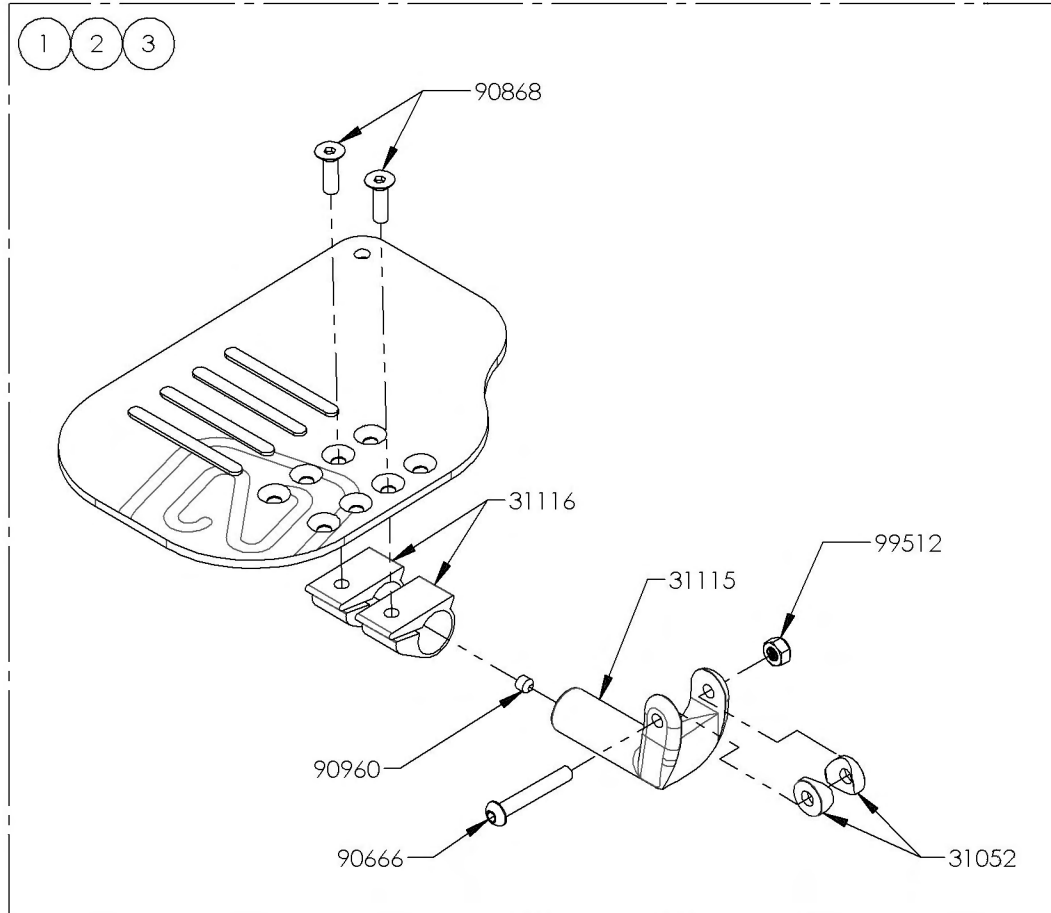
9001386
Footplate - Carbon Fiber, Angle Adjustable, Right, 7½ x 8 in (Wheelchair Width: 19 in+)



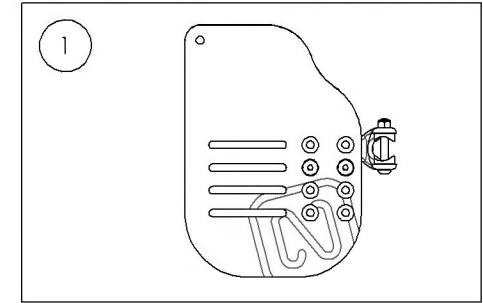
9001387_9001389

Footplate - Carbon Fiber, Angle adjustable, Left

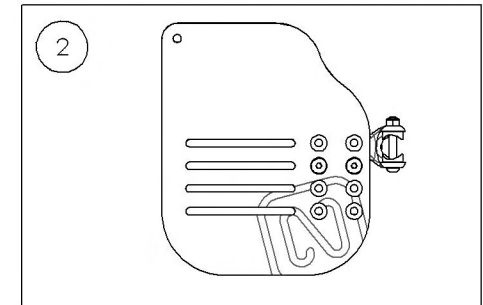
ITEM NO.	PARTNO	DESCRIPTION	9001387 /QTY.	9001388 /QTY.	9001389 /QTY.
1	31608	14-16" CARBON ANGLE ADJUSTABLE FOOTPLATE LEFT - ASSEMBLY	1	-	-
2	31610	17-18" CARBON ANGLE ADJUSTABLE FOOTPLATE LEFT - ASSEMBLY	-	1	-
3	31612	19-20" CARBON ANGLE ADJUSTABLE FOOTPLATE LEFT - ASSEMBLY	-	-	1



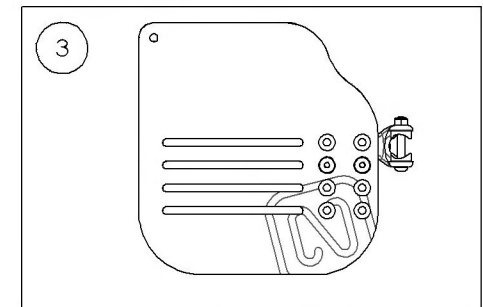
9001387
Footplate - Carbon Fiber, Angle Adjustable,
Left, 5½ x 8 in (Wheelchair Width: 14 to 16 in)



9001388
Footplate - Carbon Fiber, Angle Adjustable,
Left, 6½ x 8 in (Wheelchair Width: 17 to 18 in)

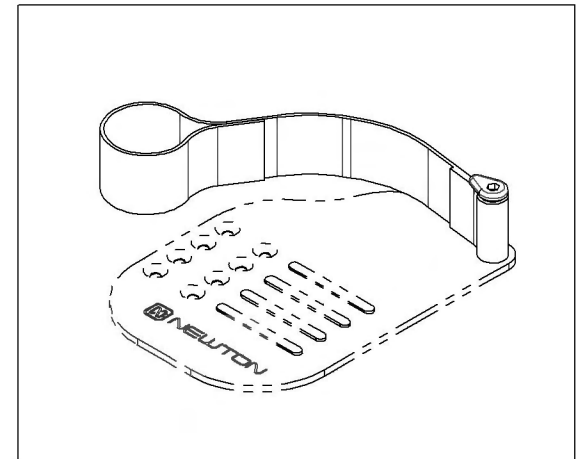
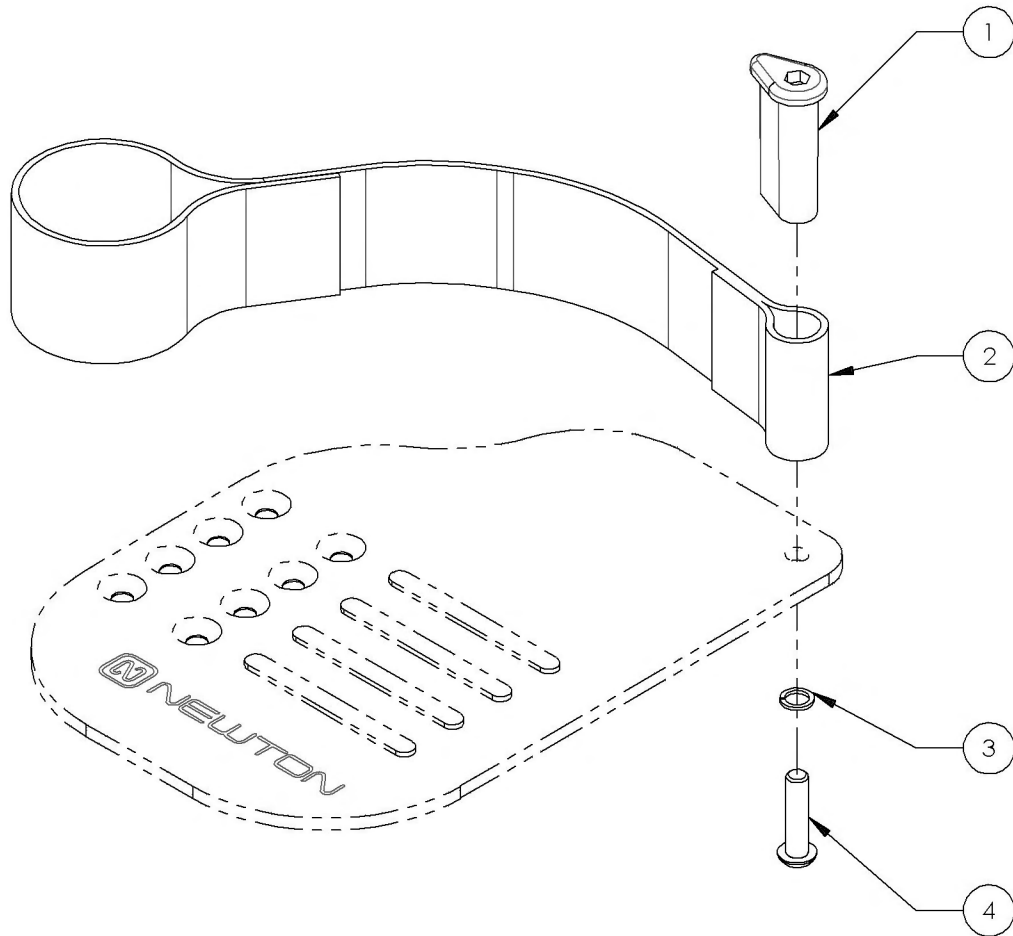


9001389
Footplate - Carbon Fiber, Angle Adjustable,
Left, 7½ x 8 in (Wheelchair Width: 19 in+)



9001411
Heel Loop - Length Adjustable

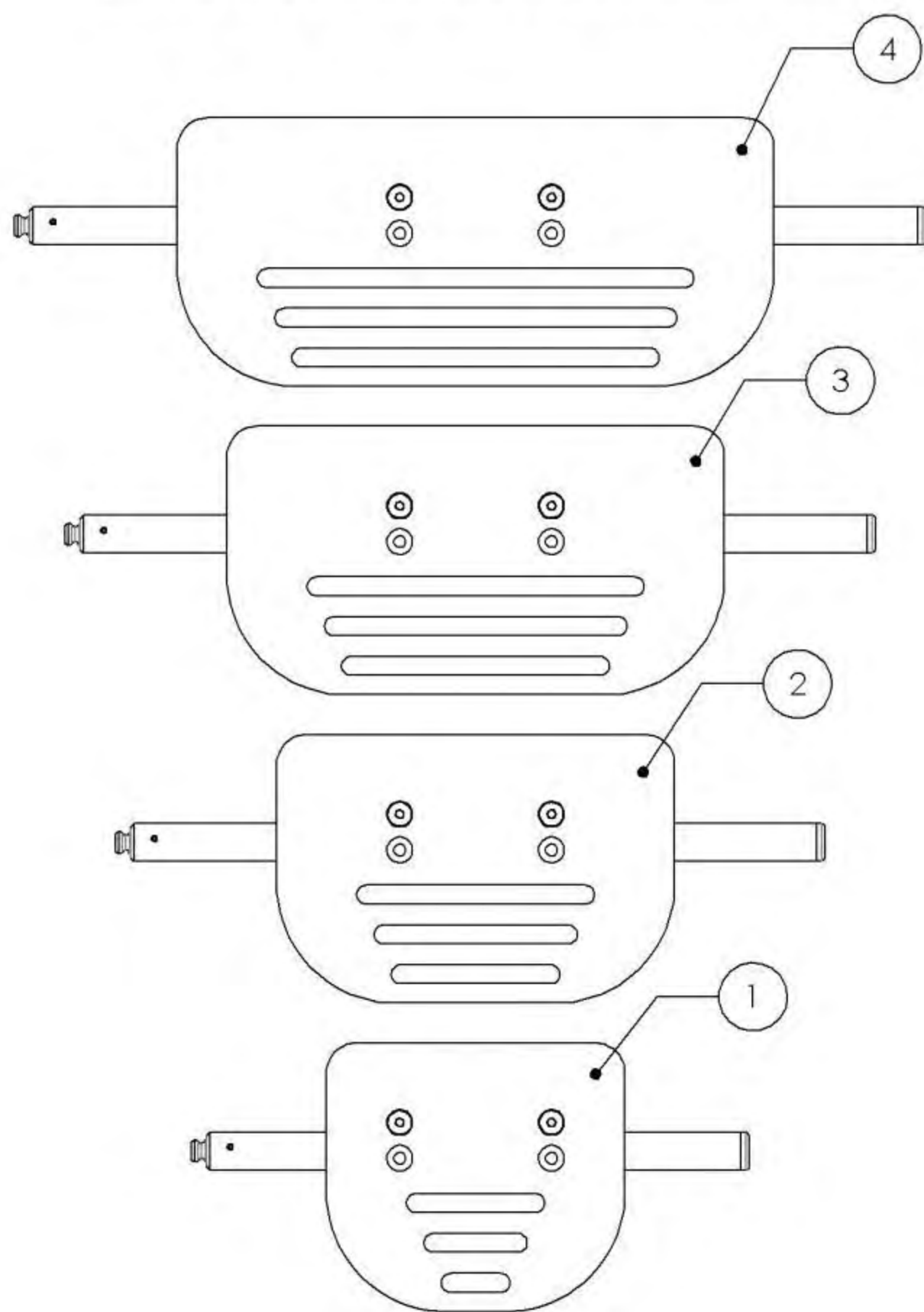
ITEM NO.	PARTNO	DESCRIPTION	9001411 /QTY.
1	31016	HEEL LOOP PIN (M)	1
2	31045	ADJUSTABLE HEEL LOOP	1
3	99559	COLLAR LOCKWASHER 1_4	1
4	90663	BUTTON HEAD CAP SCREW M6X1 X 25mm LONG, FULLY THREADED	1



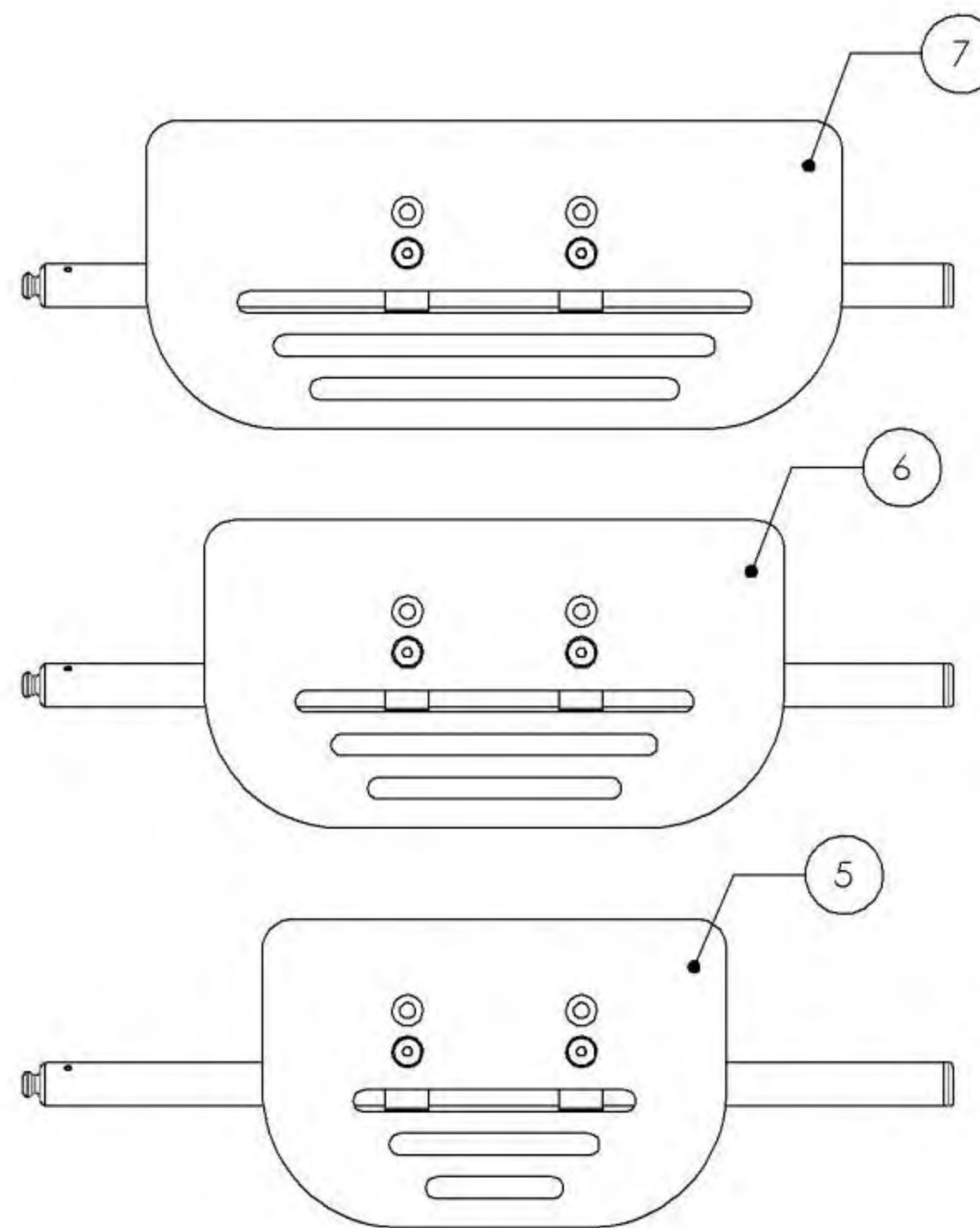
Footrest Catalogue
One Piece Footplates

ITEM NO.	PARTNO	DESCRIPTION	QTY
1	9001390	ONE PIECE CARBON FIBER 6" FOOTPLATE (WHEELCHAIR WIDTH: 12 TO 13")	1
2	9001391	ONE PIECE CARBON FIBER 8" FOOTPLATE (WHEELCHAIR WIDTH: 14 TO 16")	1
3	9001392	ONE PIECE CARBON FIBER 10" FOOTPLATE (WHEELCHAIR WIDTH: 17 TO 18")	1
4	9001393	ONE PIECE CARBON FIBER 12" FOOTPLATE (WHEELCHAIR WIDTH: 19 TO 22")	1
5	9001381	ONE PIECE ALUMINUM 8" FOOTPLATE (WHEELCHAIR WIDTH: 14 TO 16")	1
6	9001382	ONE PIECE ALUMINUM 10" FOOTPLATE (WHEELCHAIR WIDTH: 17 TO 18")	1
7	9001383	ONE PIECE ALUMINUM 12" FOOTPLATE (WHEELCHAIR WIDTH: 19 TO 22")	1

ONE PIECE CARBON FOOTPLATES



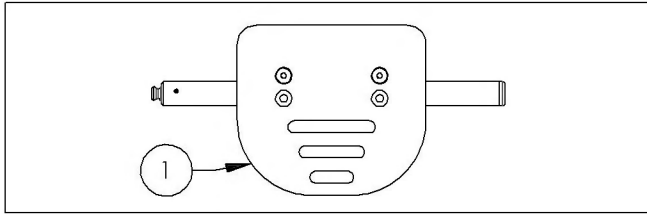
ONE PIECE ALUMINUM FOOTPLATES



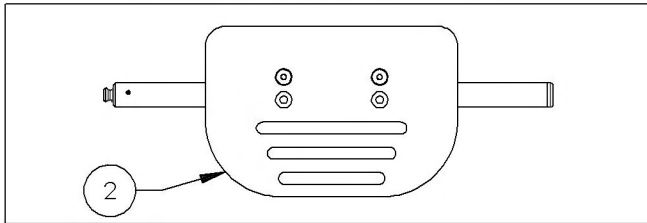
MAKE SURE TO HAVE YOUR SERIAL NUMBER NEARBY WHEN ORDERING PARTS FOR YOUR MOTION COMPOSITES WHEELCHAIR

9001390_9001393
Footplate - Carbon Fiber, One piece

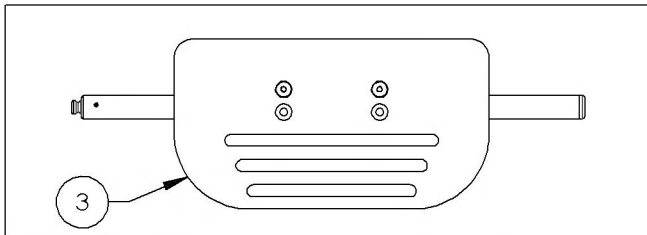
9001390
 Footplate - Carbon Fiber, One piece, 6 x 5½ in
 (Wheelchair Width: 12 to 13 in)



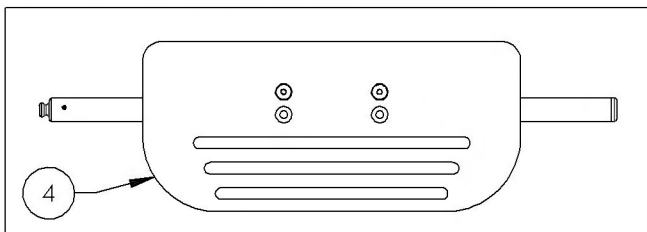
9001391
 Footplate - Carbon Fiber, One piece, 8 x 5½ in
 (Wheelchair Width: 14 to 16 in)



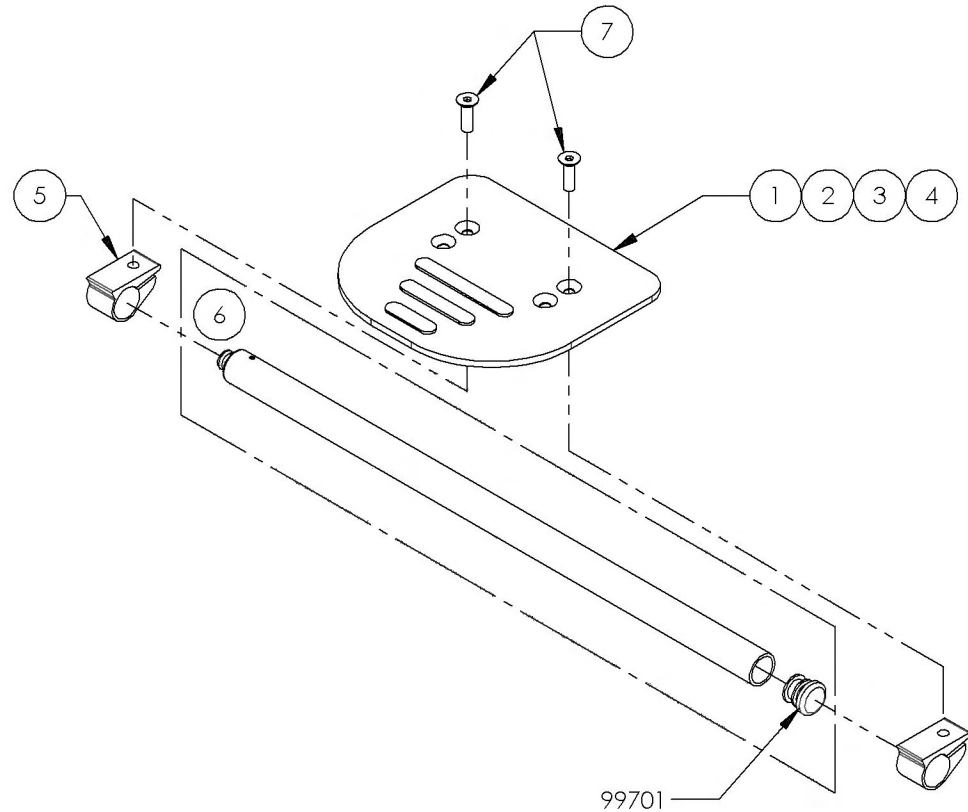
9001392
 Footplate - Carbon Fiber, One piece, 10 x 5½ in
 (Wheelchair Width: 17 to 18 in)



9001393
 Footplate - Carbon Fiber, One piece, 12 x 5½ in
 (Wheelchair Width: 19 to 22 in)

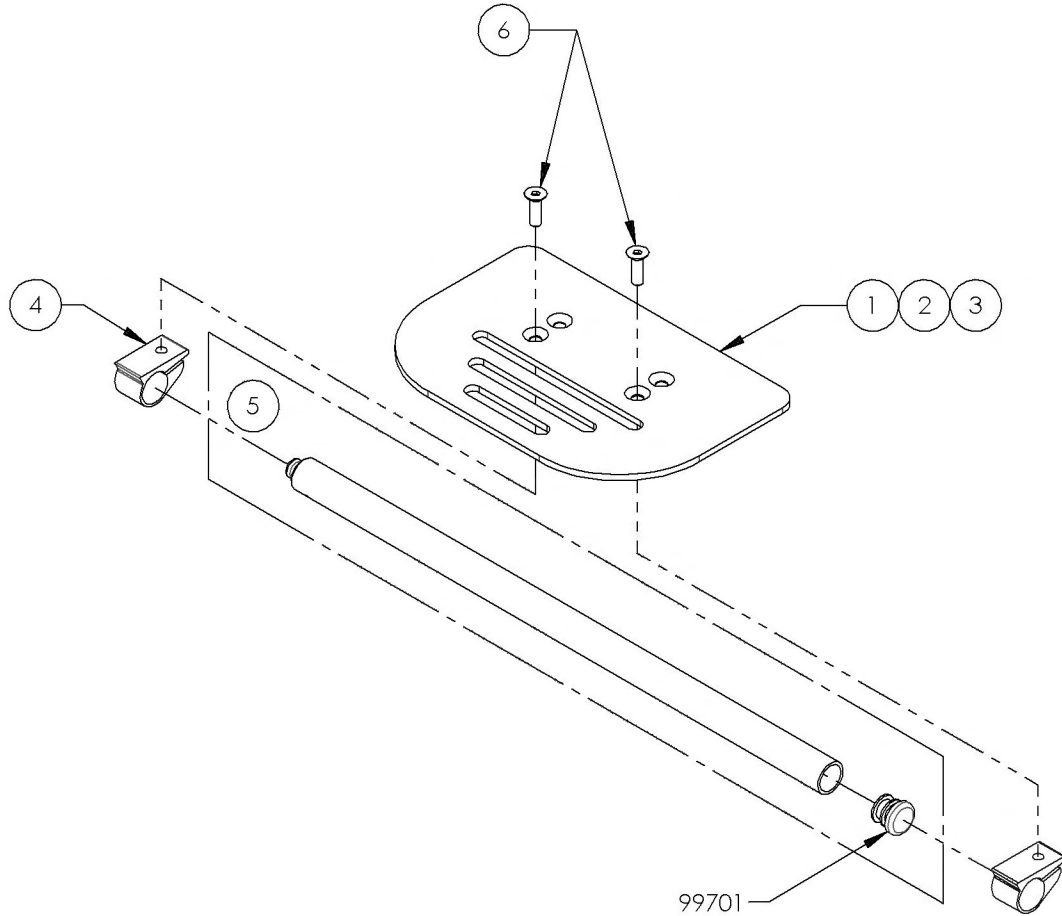


ITEM NO.	PARTNO	DESCRIPTION	9001390 /QTY.	9001391 /QTY.	9001392 /QTY.	9001393 /QTY.
1	31127	6" PLATFORM CARBON FOOTPLATE + DECALS	1	-	-	-
2	31128	8" PLATFORM CARBON FOOTPLATE + DECALS	-	1	-	-
3	31129	10" PLATFORM CARBON FOOTPLATE + DECALS	-	-	1	-
4	31130	12" PLATFORM CARBON FOOTPLATE + DECALS	-	-	-	1
5	31116	ANGLE ADJUSTABLE FOOTPLATE CLAMP	2	2	2	2
6	31561	V2 20-1/2" PF MAIN TUBE - ASSEMBLY	1	1	1	1
7	90868	FLAT HEAD CAP SCREW M6X1 X 20mm LONG, FULLY THREADED	2	2	2	2

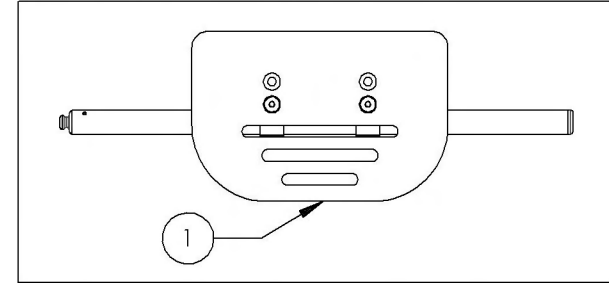


9001381_9001383
Footplate - Aluminium, One piece

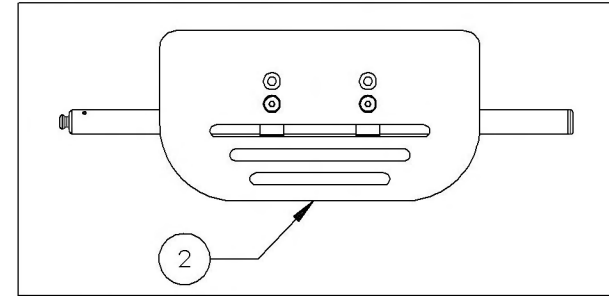
ITEM NO.	PARTNO	DESCRIPTION	9001381 /QTY.	9001382 /QTY.	9001383 /QTY.
1	31090	8" PLATFORM ALUMINUM FOOTPLATE	1	-	-
2	31091	10" PLATFORM ALUMINUM FOOTPLATE	-	1	-
3	31092	12" PLATFORM ALUMINUM FOOTPLATE	-	-	1
4	31116	ANGLE ADJUSTABLE FOOTPLATE CLAMP	2	2	2
5	31561	V2 20-1/2" PF MAIN TUBE - ASSEMBLY	1	1	1
6	90868	FLAT HEAD CAP SCREW M6X1 X 20mm LONG, FULLY THREADED	2	2	2



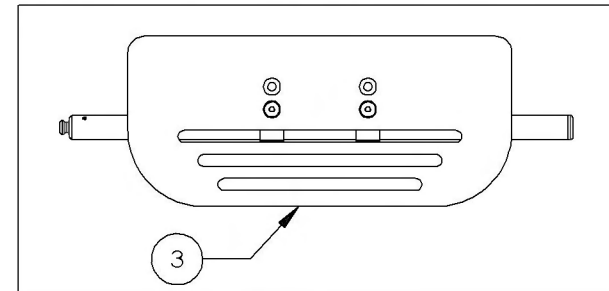
9001381
 Footplate - Aluminium, One Piece, 8 x 5½ in
 (Wheelchair Width: 14 to 16 in)



9001382
 Footplate - Aluminium, One Piece, 10 x 5½ in
 (Wheelchair Width: 17 to 18 in)

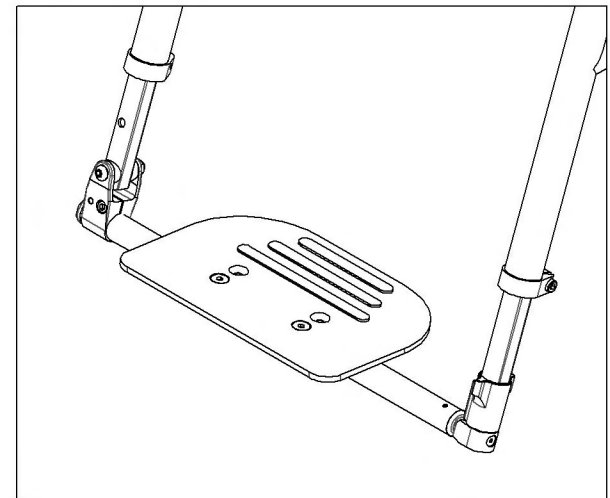
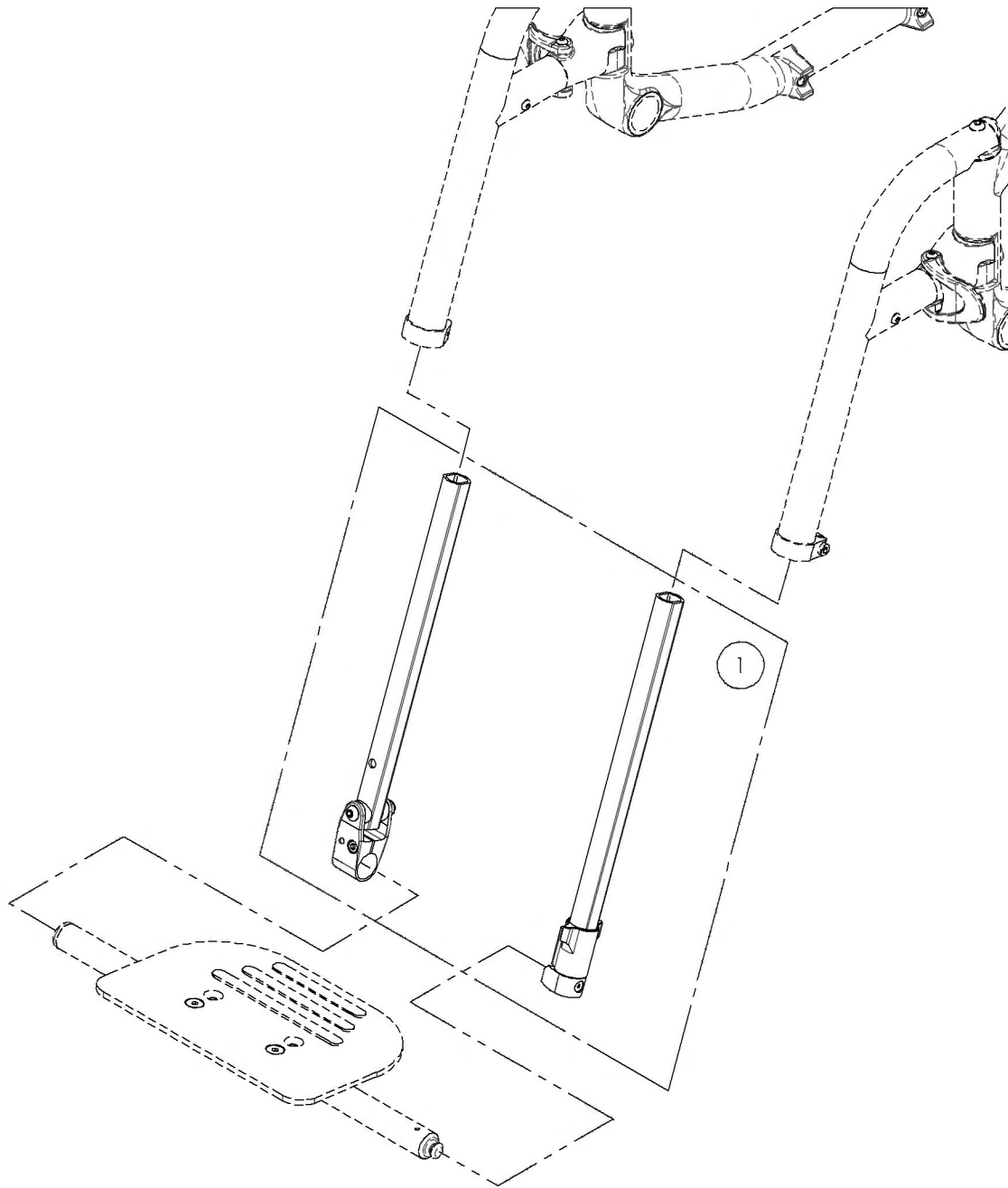


9001383
 Footplate - Aluminium, One Piece, 12 x 5½ in
 (Wheelchair Width: 19 to 22 in)



Footrest Catalogue
One Piece Footplate Extensions

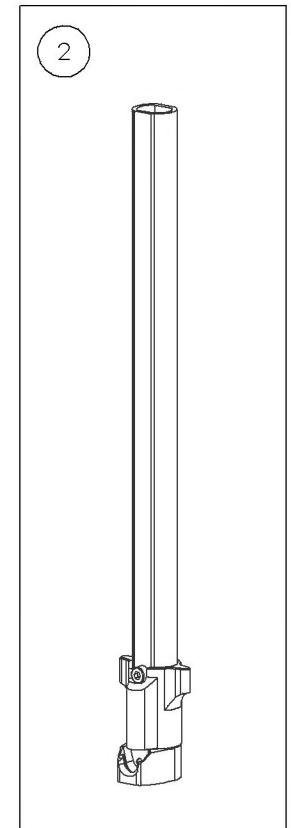
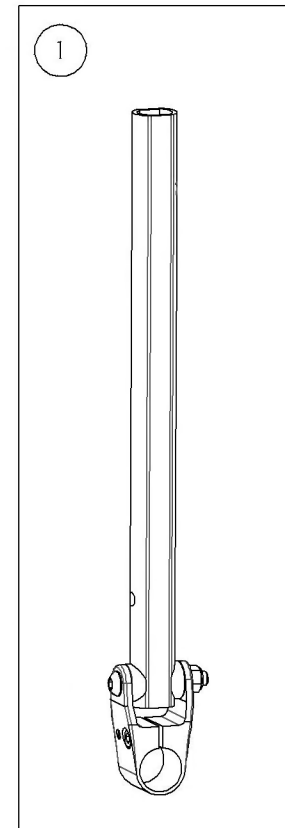
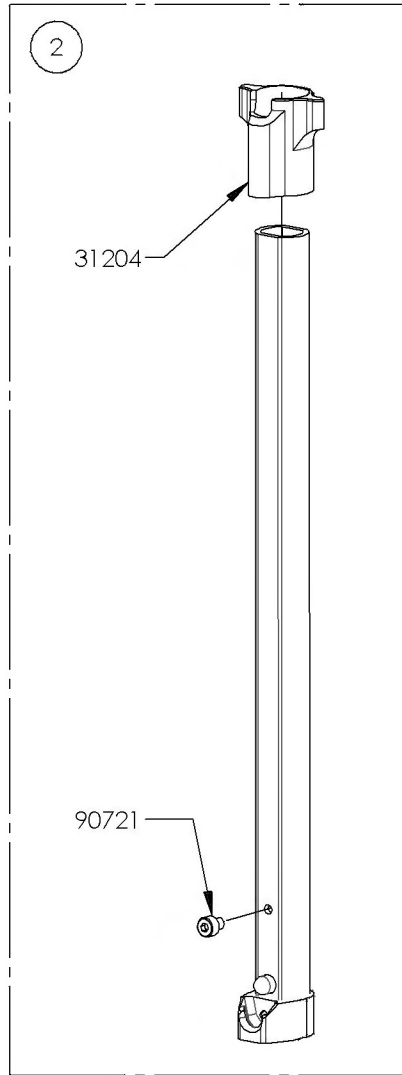
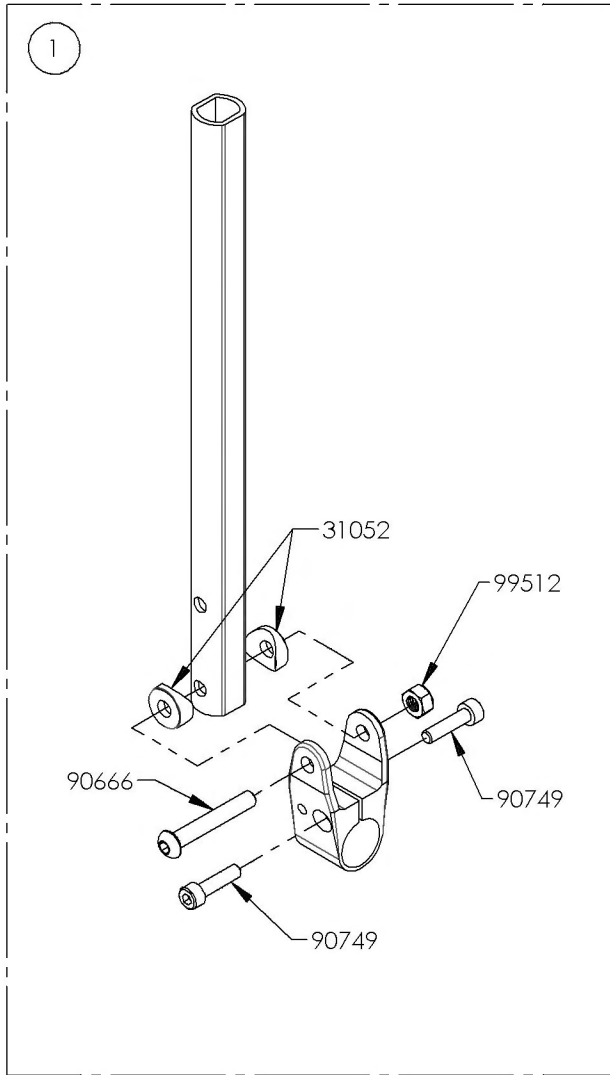
ITEM NO.	PARTNO	DESCRIPTION	QTY
1	9001380	Footplate - Extension for One Piece Footplate	1



MAKE SURE TO HAVE YOUR SERIAL NUMBER
 NEARBY WHEN ORDERING PARTS FOR YOUR
 MOTION COMPOSITES WHEELCHAIR

9001380
Footplate - Extension for One Piece Footplate

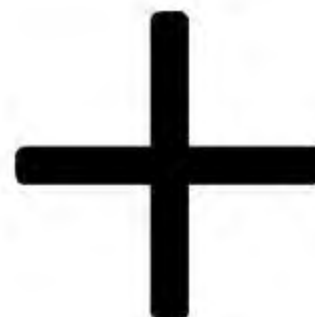
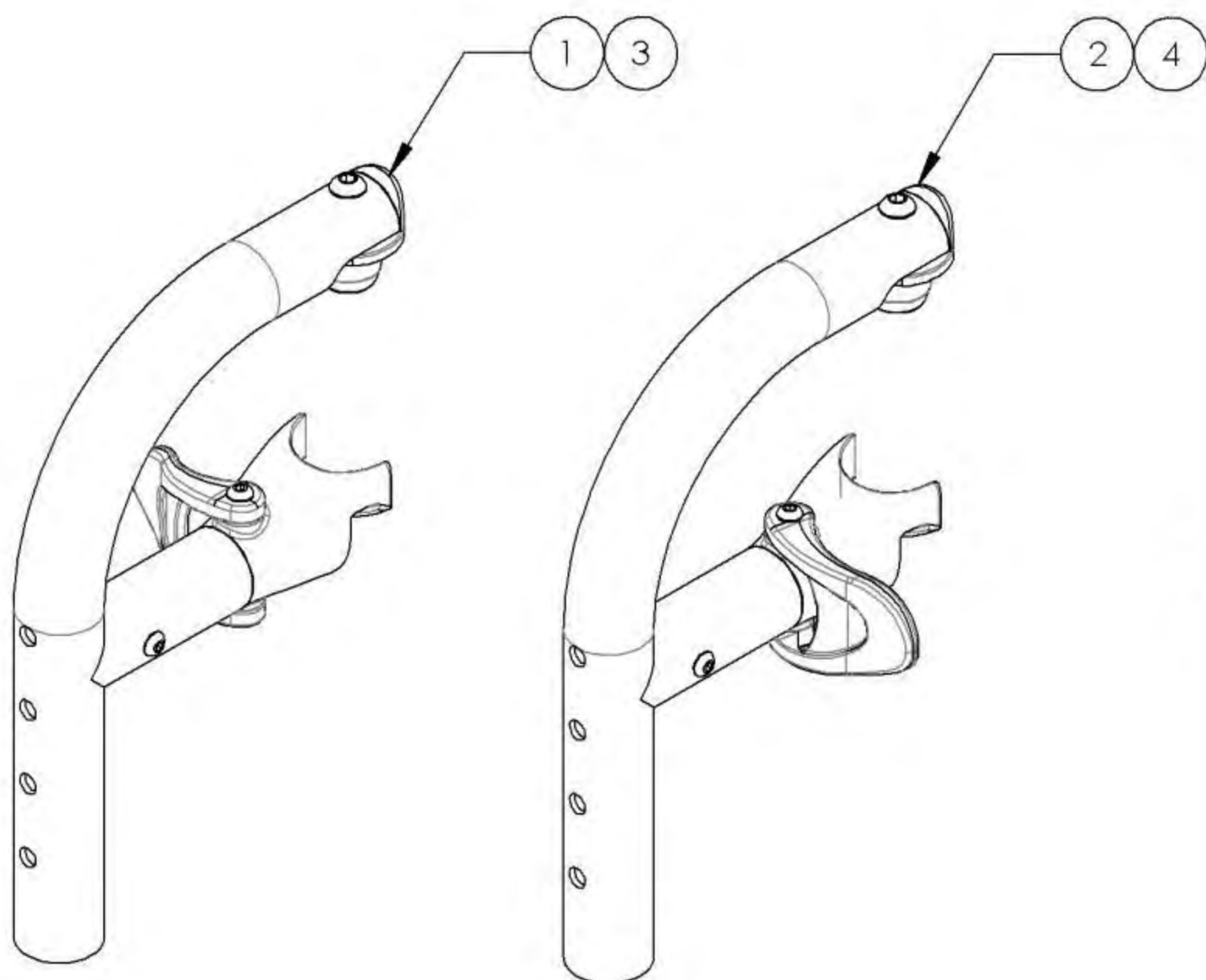
ITEM NO.	PARTNO	DESCRIPTION	9001380 /QTY.
1	31570	V2 PF PIVOT SIDE LONG EXTENSION TUBE - ASSEMBLY	1
2	31571	V2 PF ANCHOR SIDE LONG EXTENSION TUBE - ASSEMBLY	1



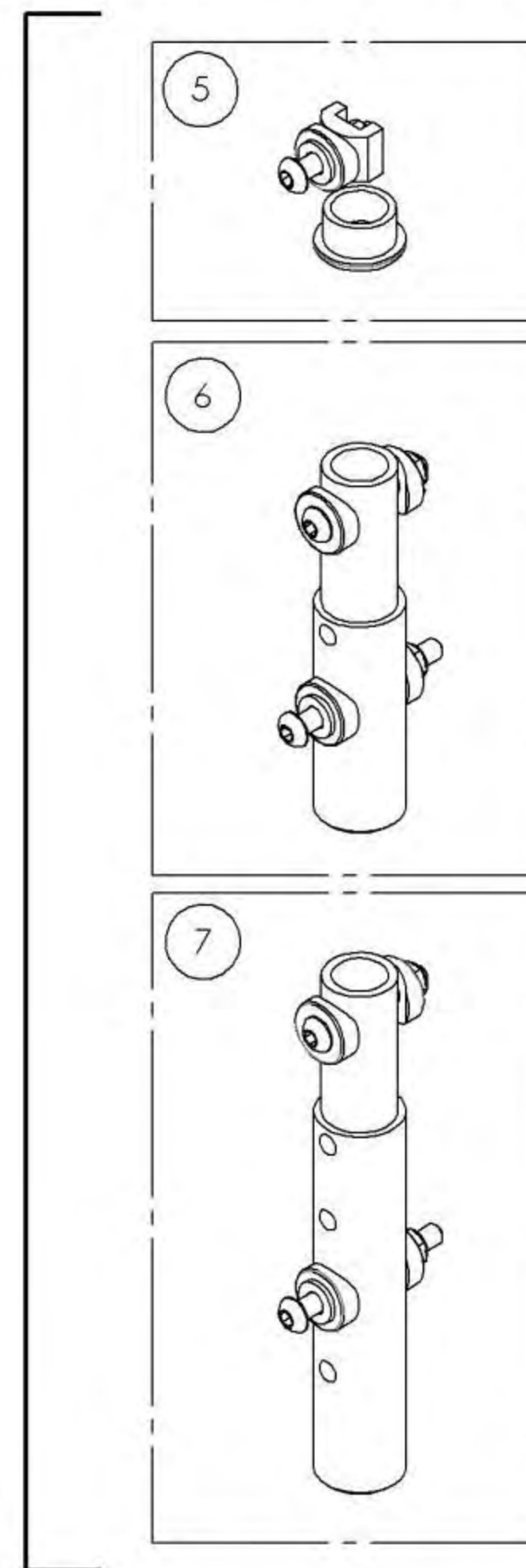
Footrest Catalogue
Direct Mount Footrests

ITEM NO.	PARTNO	DESCRIPTION	QTY
1	9001343	Footrest - Swing-In/Swing-Out, Front Mount, Right, 90° (Specify Color)	1
2	9001344	Footrest - Swing-In/Swing-Out, Front Mount, Left, 90° (Specify Color)	1
3	9001345	Footrest - Swing-In/Swing-Out, Front Mount, Right, 90° (Specify Color)	1
4	9001346	Footrest - Swing-In/Swing-Out, Front Mount, Left, 90° (Specify Color)	1
5	9001347	Footrest - No Structure Extension, Front Mount, (8½ - 10½ in) - Black	1
6	9001348	Footrest - Structure Extension, Front Mount, 70 mm (11½ - 12½ in) (Specify Color)	1
7	9001349	Footrest - Structure Extension, Front Mount, 120 mm (13½ - 14½ in) (Specify Color)	1

DIRECT MOUNT STRUCTURES



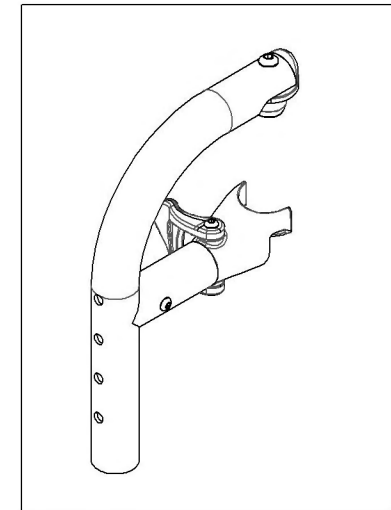
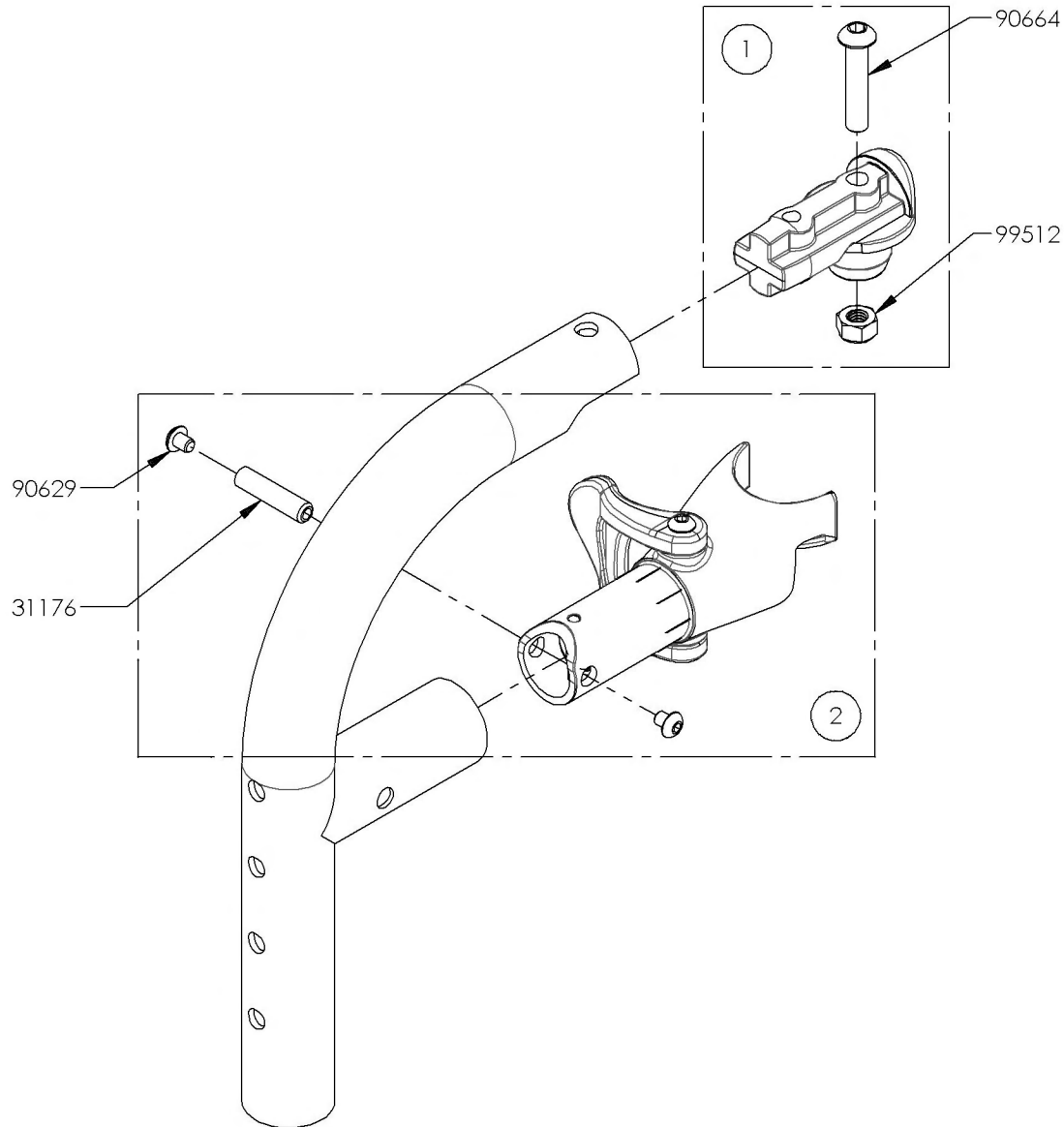
DIRECT MOUNT EXTENSION OPTIONS



MAKE SURE TO HAVE YOUR SERIAL NUMBER
 NEARBY WHEN ORDERING PARTS FOR YOUR
 MOTION COMPOSITES WHEELCHAIR

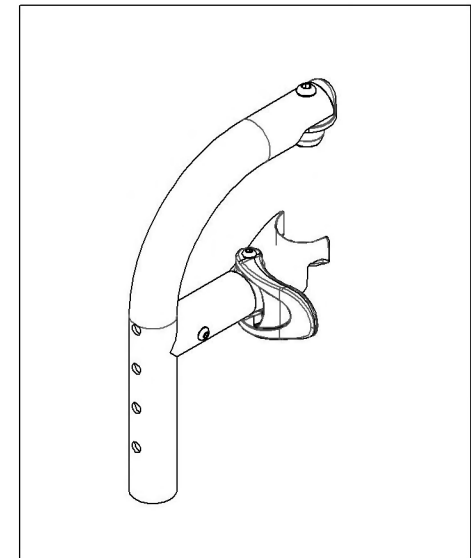
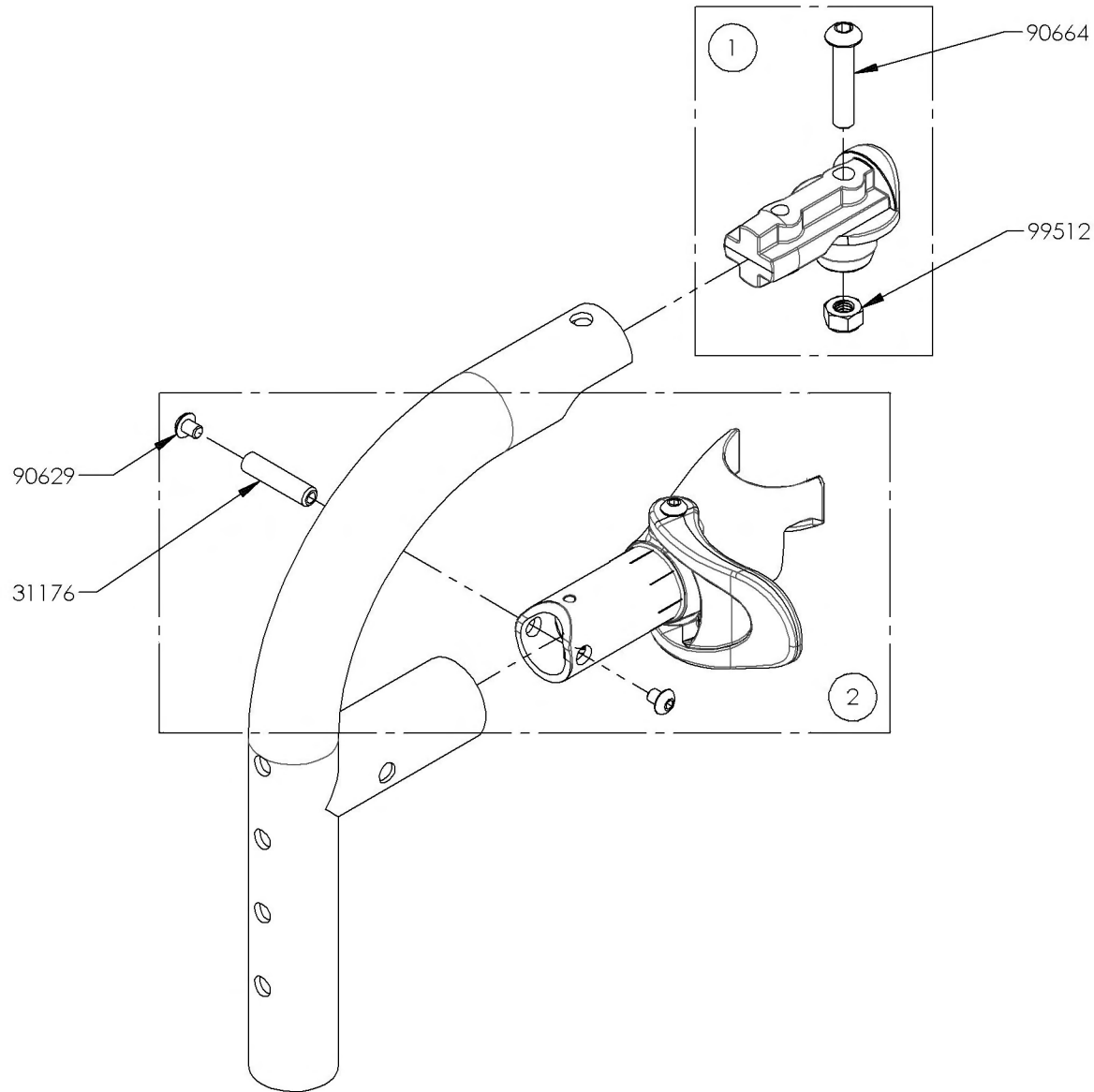
9001345
Footrest - Swing-In/Swing-Out, Front Mount, Right, 90° (Specify Color)

ITEM NO.	PARTNO	DESCRIPTION	9001345 /QTY.
1	31551	V2 FOOTREST PIVOT - ASSEMBLY	1
2	31550	V2 FOOTREST HOUSING RIGHT - ASSEMBLY	1



9001346
Footrest - Swing-In/Swing-Out, Front Mount, Left, 90° (Specify Color)

ITEM NO.	PARTNO	DESCRIPTION	9001346 /QTY.
1	31551	V2 FOOTREST PIVOT - ASSEMBLY	1
2	31549	V2 FOOTREST HOUSING LEFT - ASSEMBLY	1



WHEELCHAIR COMPATIBILITY CHART

VELOCE

HELIO C2

HELIO A7

HELIO KIDS

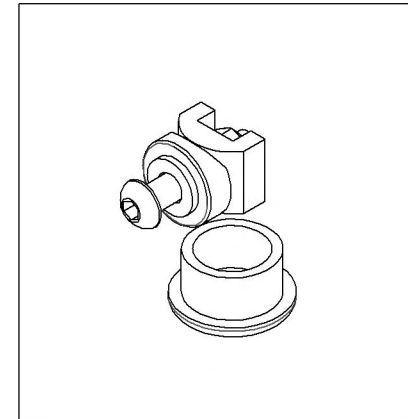
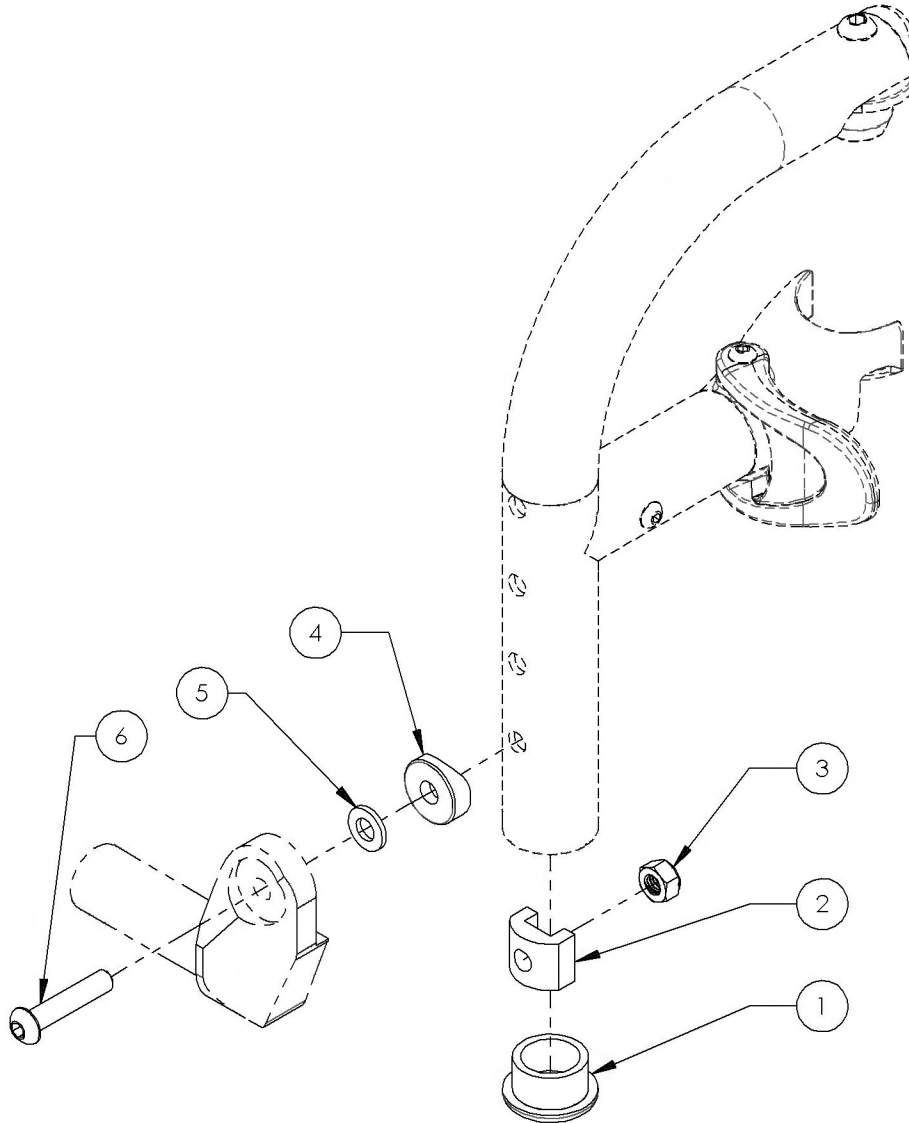
MOVE

HELIO C1

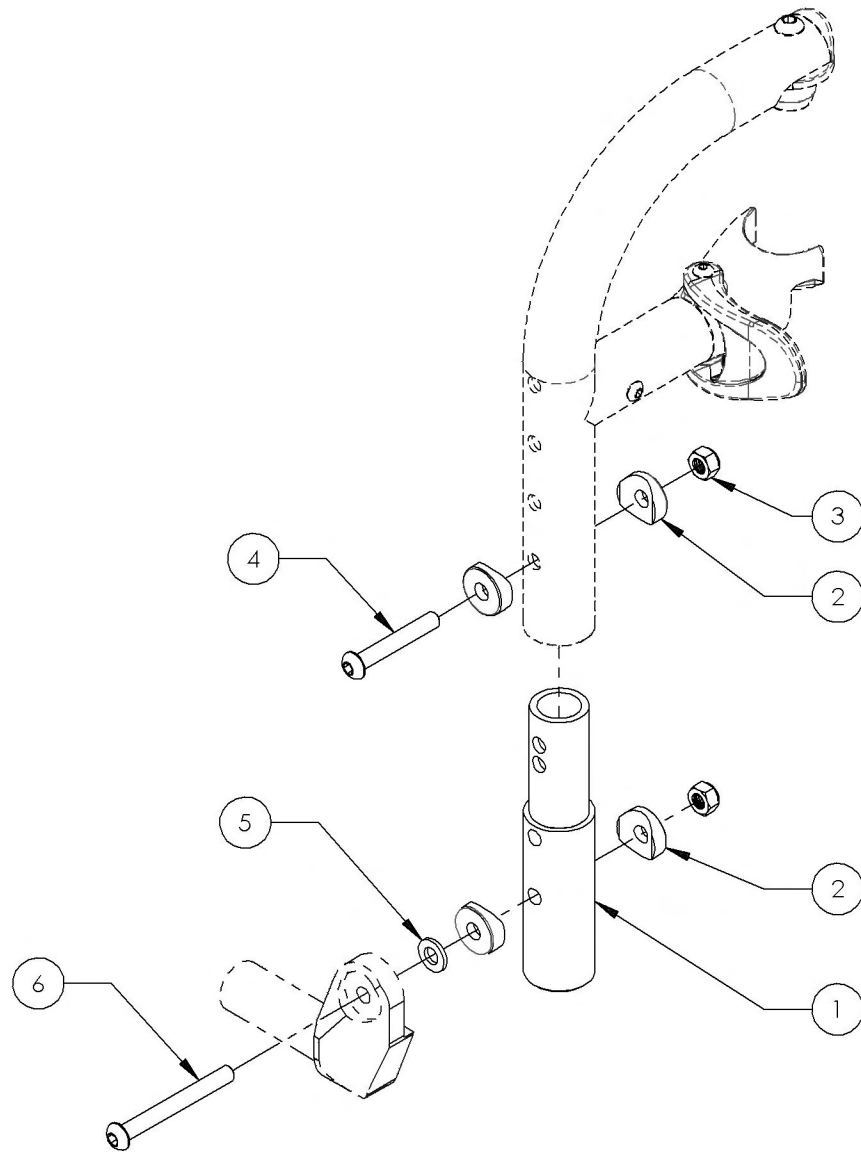
MAKE SURE TO HAVE YOUR SERIAL NUMBER NEARBY WHEN ORDERING PARTS FOR YOUR MOTION COMPOSITES WHEELCHAIR

9001347
Footrest - No Structure Extension, Front Mount, (8½ - 10½ in) - Black

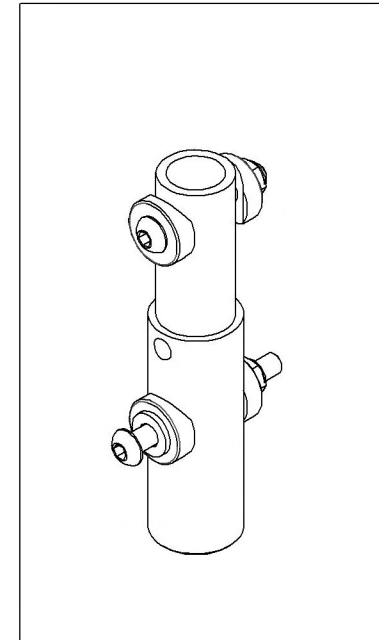
ITEM NO.	PARTNO	DESCRIPTION	9001347 /QTY.
1	99702	CAP 1 IN ALU	1
2	31213	FOOTREST DIRECT MOUNT NUT HOLDER	1
3	99512	M6 LOW NYLON LOCK	1
4	33068	M6 COVED WASHER FOR 1" TUBE	1
5	99562	WASHER 1/4 17/64 ID X 5/8 OD X .062 THK	1
6	90664	BUTTON HEAD CAP SCREW M6X1 X 30mm LONG, FULLY THREADED	1



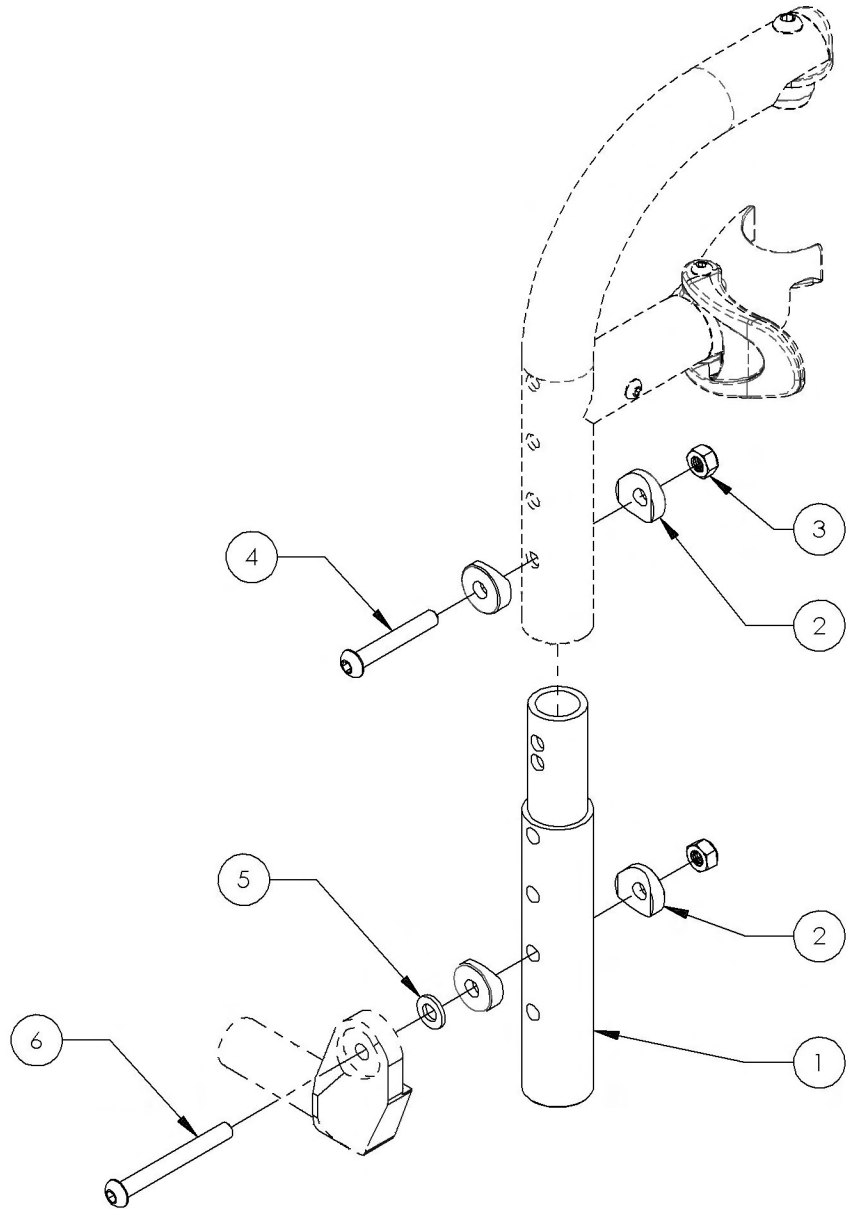
9001348
Footrest - Structure Extension, Front Mount, 70 mm (11½ - 12½ in) (Specify Color)



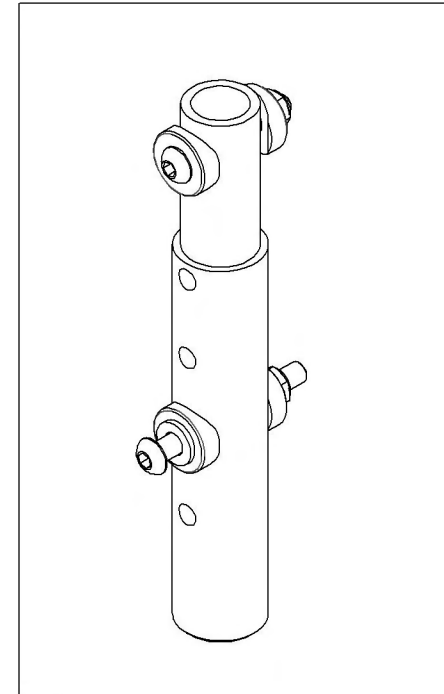
ITEM NO.	PARTNO	DESCRIPTION	9001348 /QTY.
1	31211	V2 DIRECT MOUNT STRUCTURE SHORT EXTENSION	1
2	33068	M6 COVED WASHER FOR 1" TUBE	4
3	99512	M6 LOW NYLON LOCK	2
4	90666	BUTTON HEAD CAP SCREW M6X1 X 40mm LONG, 24mm THREADED	1
5	99562	WASHER 1/4 17/64 ID X 5/8 OD X .062 THK	1
6	90669	BUTTON HEAD CAP SCREW M6X1 X 55mm LONG, 24mm THREADED	1



9001349
Footrest - Structure Extension, Front Mount, 120 mm (13½ - 14½ in) (Specify Color)



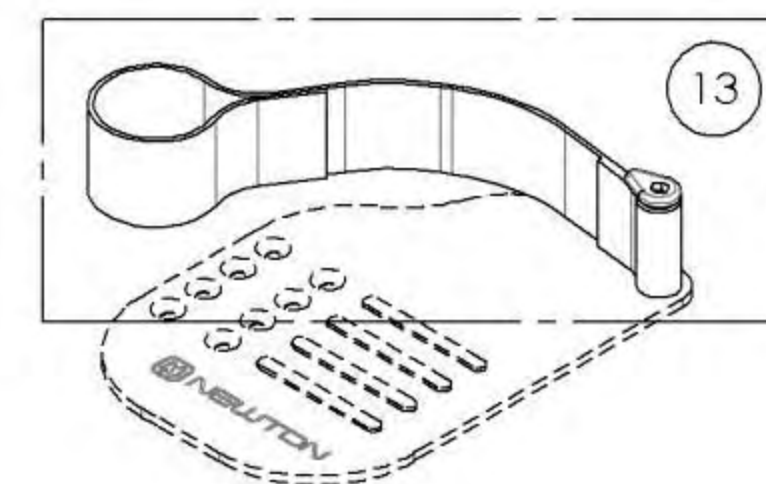
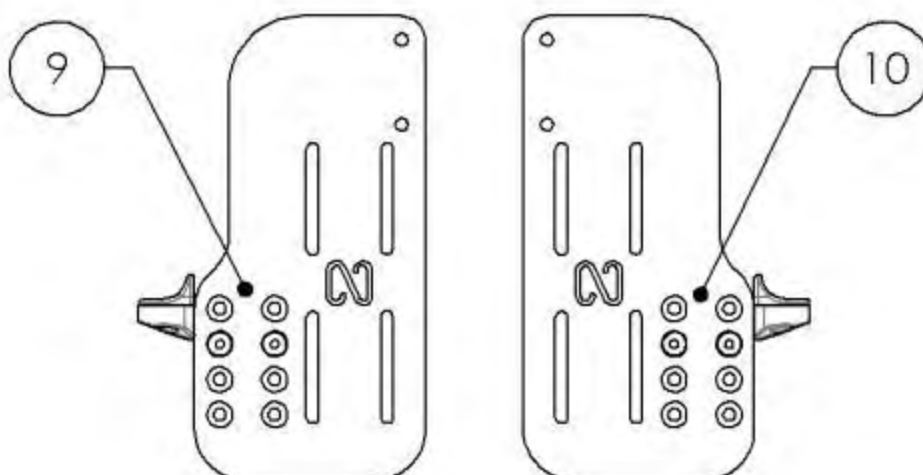
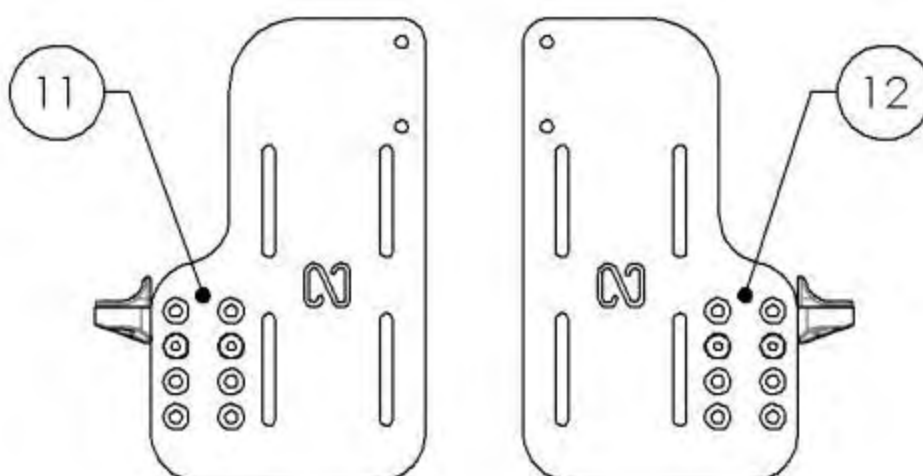
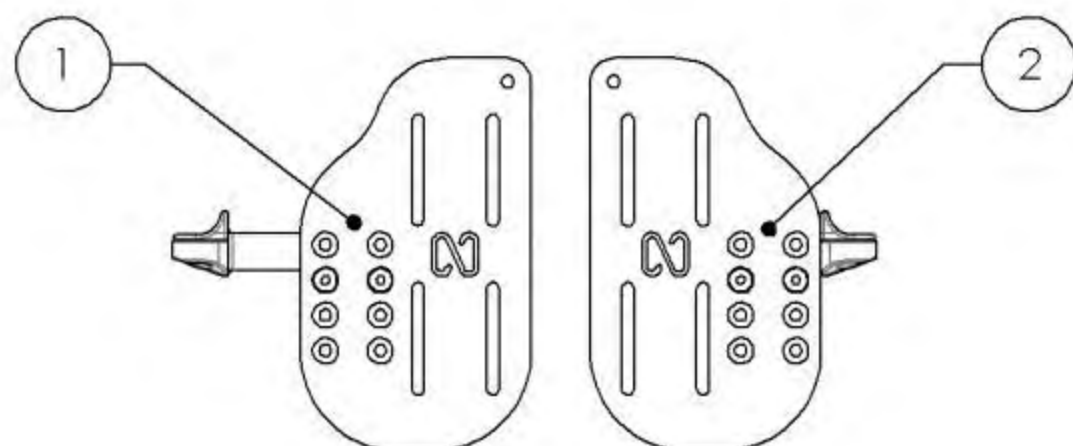
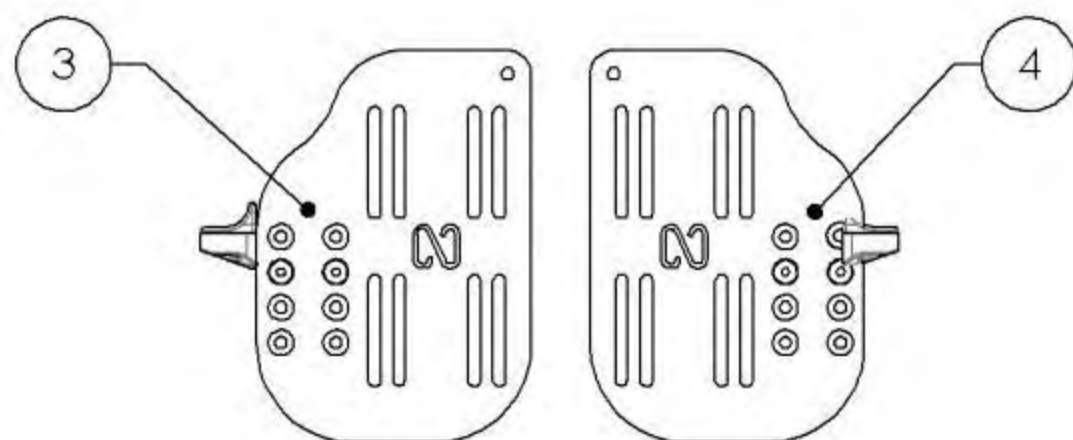
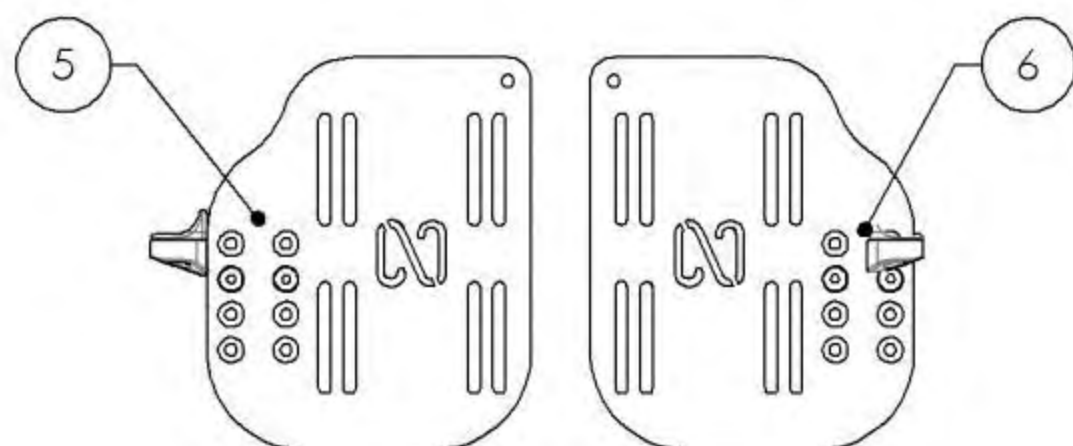
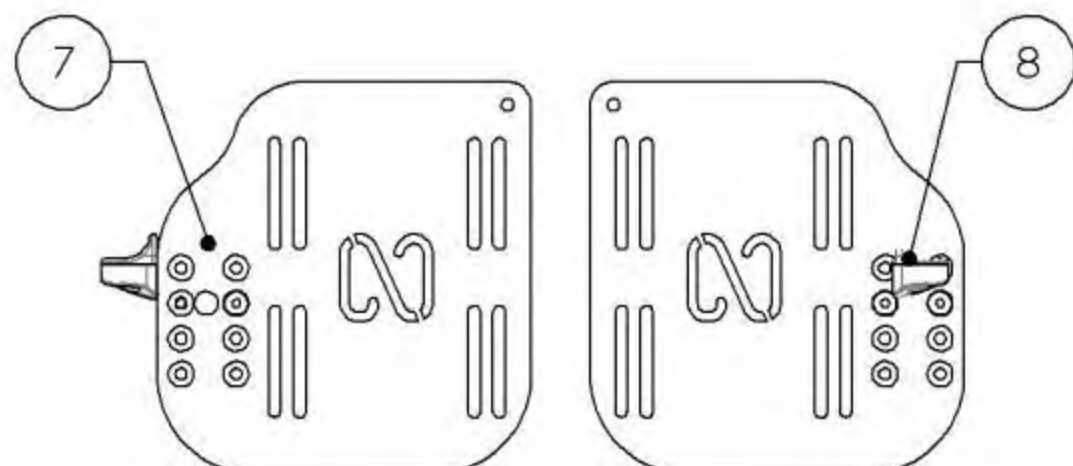
ITEM NO.	PARTNO	DESCRIPTION	9001349 /QTY.
1	31219	V2 DIRECT MOUNT STRUCTURE MEDIUM EXTENSION	1
2	33068	M6 COVERED WASHER FOR 1" TUBE	4
3	99512	M6 LOW NYLON LOCK	2
4	90666	BUTTON HEAD CAP SCREW M6X1 X 40mm LONG, 24mm THREADED	1
5	99562	WASHER 1/4 17/64 ID X 5/8 OD X .062 THK	1
6	90669	BUTTON HEAD CAP SCREW M6X1 X 55mm LONG, 24mm THREADED	1



Footrest Catalogue
Direct Mount Footplates

ITEM NO.	PARTNO	DESCRIPTION	QTY
1	9001402	Footplate - Aluminum, Angle Adjustable, For Front Mount, Right (Wheelchair Width: 12 to 13 in)	1
2	9001406	Footplate - Aluminum, Angle Adjustable, For Front Mount, Left (Wheelchair Width: 12 to 13 in)	1
3	9001403	Footplate - Aluminum, Angle Adjustable, For Front Mount, Right (Wheelchair Width: 14 to 16 in)	1
4	9001407	Footplate - Aluminum, Angle Adjustable, For Front Mount, Left (Wheelchair Width: 14 to 16 in)	1
5 *	9001404	Footplate - Aluminum, Angle Adjustable, For Front Mount, Right (Wheelchair Width: 17 to 18 in)	1
6 *	9001408	Footplate - Aluminum, Angle Adjustable, For Front Mount, Left (Wheelchair Width: 17 to 18 in)	1
7 *	9001405	Footplate - Aluminum, Angle Adjustable, For Front Mount, Right (Wheelchair Width: 19 in+)	1
8 *	9001409	Footplate - Aluminum, Angle Adjustable, For Front Mount, Left (Wheelchair Width: 19 in+)	1
9	9001394	Footplate - Aluminum, Angle Adjustable, Extra Deep, For Front Mount, Right (Wheelchair Width: 12 to 13 in)	1
10	9001396	Footplate - Aluminum, Angle Adjustable, Extra Deep, For Front Mount, Left (Wheelchair Width: 12 to 13 in)	1
11	9001395	Footplate - Aluminum, Angle Adjustable, Extra Deep, For Front Mount, Right (Wheelchair Width: 14 to 15 in)	1
12	9001397	Footplate - Aluminum, Angle Adjustable, Extra Deep, For Front Mount, Left (Wheelchair Width: 14 to 15 in)	1
13	9001411	Heel Loop - Length Adjustable	1

* : NOT AVAILABLE ON KIDS WHEELCHAIR

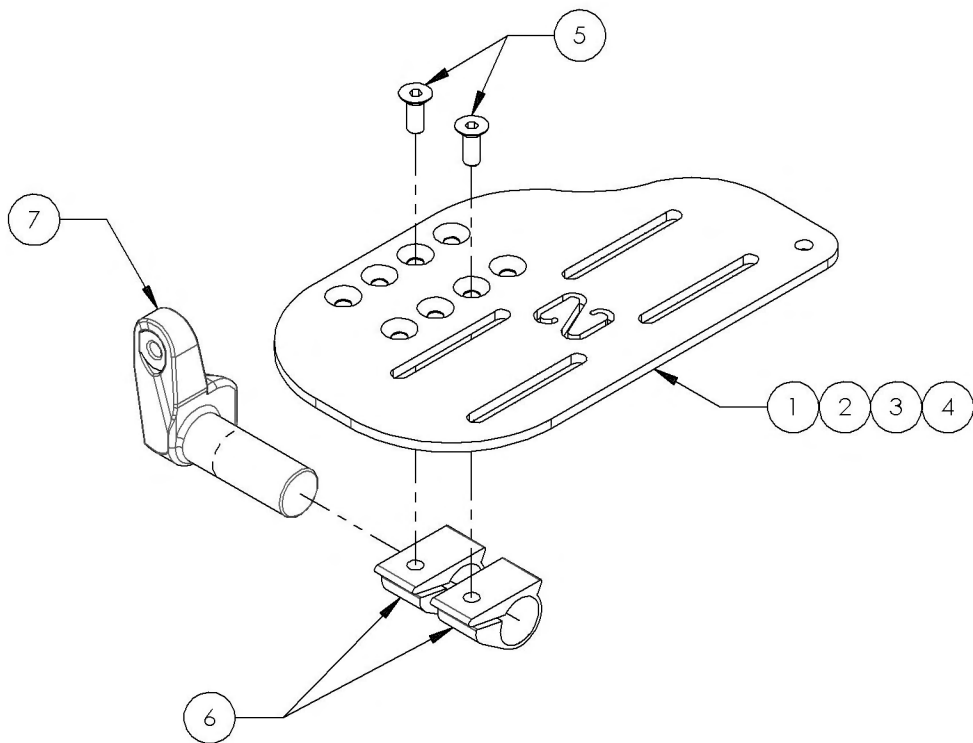


MAKE SURE TO HAVE YOUR SERIAL NUMBER NEARBY WHEN ORDERING PARTS FOR YOUR MOTION COMPOSITES WHEELCHAIR

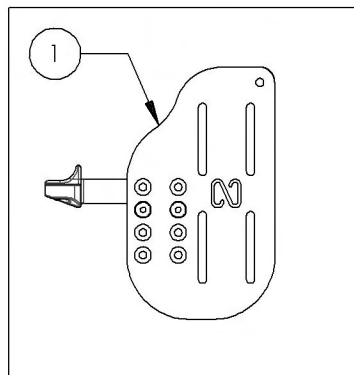
9001402_9001405

Footplate - Aluminum, Angle adjustable, For Front Mount, Right

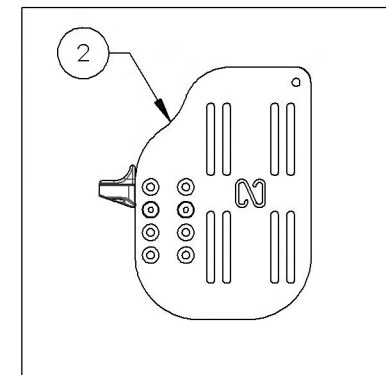
ITEM NO.	PARTNO	DESCRIPTION	9001402 /QTY.	9001403 /QTY.	9001404 /QTY.	9001405 /QTY.
1	31124	X-SMALL FOOTPLATE-RIGHT 12"-13"	1	-	-	-
2	31118	SMALL FOOTPLATE-RIGHT	-	1	-	-
3	31120	MEDIUM FOOTPLATE-RIGHT	-	-	1	-
4	31122	LARGE FOOTPLATE-RIGHT	-	-	-	1
5	90866	FLAT HEAD CAP SCREW M6X1 X 16mm LONG, FULLY THREADED	2	2	2	2
6	31116	ANGLE ADJUSTABLE FOOTPLATE CLAMP	2	2	2	2
7	31112	DIRECT MOUNT ANGLE ADJUSTABLE FOOTPLATE RIGHT PIVOT	1	1	1	1



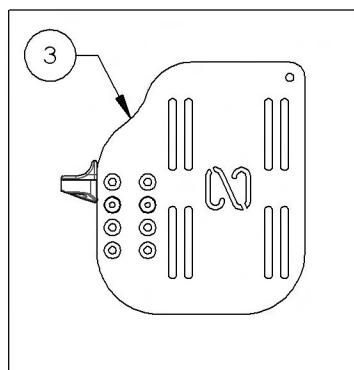
9001402
Footplate - Aluminum, Angle Adjustable, For Front Mount, Right (Wheelchair Width: 12 to 13 in)



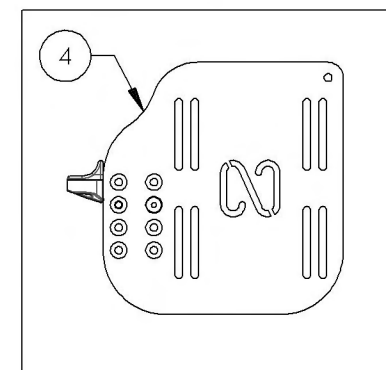
9001403
Footplate - Aluminum, Angle Adjustable, For Front Mount, Right (Wheelchair Width: 14 to 16 in)



9001404
Footplate - Aluminum, Angle Adjustable, For Front Mount, Right (Wheelchair Width: 17 to 18 in)



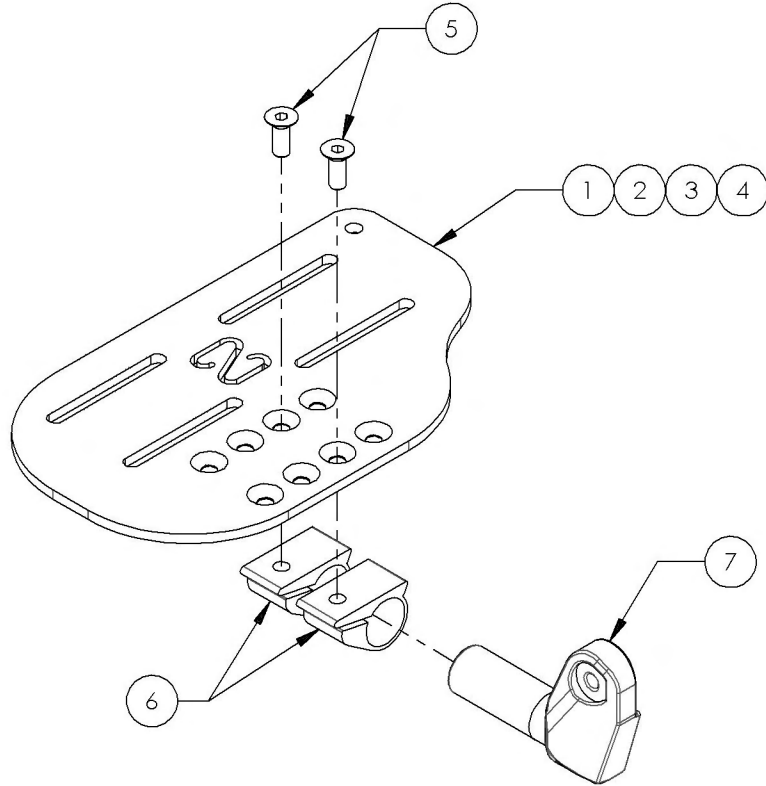
9001405
Footplate - Aluminum, Angle Adjustable, For Front Mount, Right (Wheelchair Width: 19 in+)



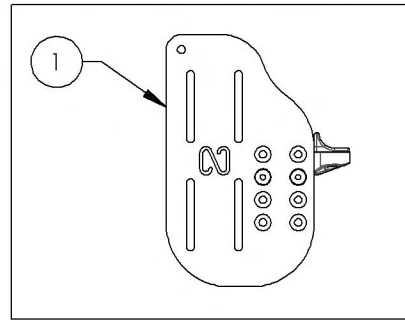
9001406_9001409

Footplate - Aluminum, Angle adjustable, For Front Mount, Left

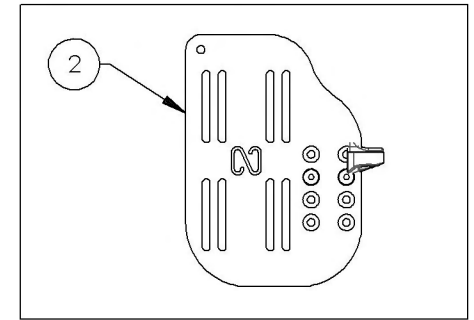
ITEM NO.	PARTNO	DESCRIPTION	9001406 /QTY.	9001407 /QTY.	9001408 /QTY.	9001409 /QTY.
1	31123	X-SMALL FOOTPLATE-LEFT 12"-13"	1	-	-	-
2	31117	SMALL FOOTPLATE-LEFT	-	1	-	-
3	31119	MEDIUM FOOTPLATE-LEFT	-	-	1	-
4	31121	LARGE FOOTPLATE-LEFT	-	-	-	1
5	90866	FLAT HEAD CAP SCREW M6X1 X 16mm LONG, FULLY THREADED	2	2	2	2
6	31116	ANGLE ADJUSTABLE FOOTPLATE CLAMP	2	2	2	2
7	31113	DIRECT MOUNT ANGLE ADJUSTABLE FOOTPLATE LEFT PIVOT	1	1	1	1



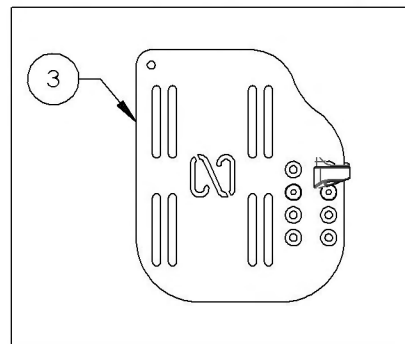
9001406
Footplate - Aluminum, Angle Adjustable, For Front Mount, Left (Wheelchair Width: 12 to 13 in)



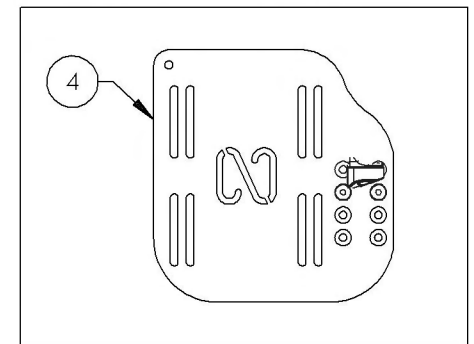
9001407
Footplate - Aluminum, Angle Adjustable, For Front Mount, Left (Wheelchair Width: 14 to 16 in)



9001408
Footplate - Aluminum, Angle Adjustable, For Front Mount, Left (Wheelchair Width: 17 to 18 in)



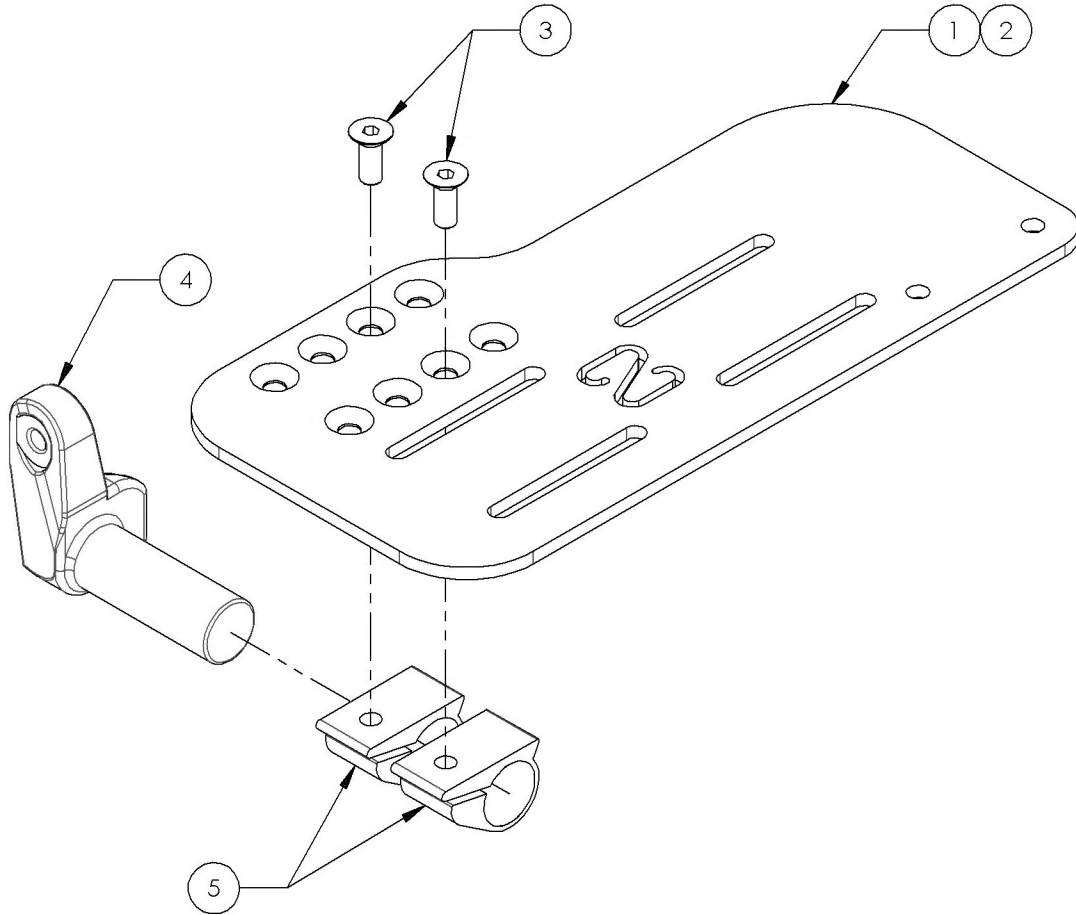
9001409
Footplate - Aluminum, Angle Adjustable, For Front Mount, Left (Wheelchair Width: 19 in+)



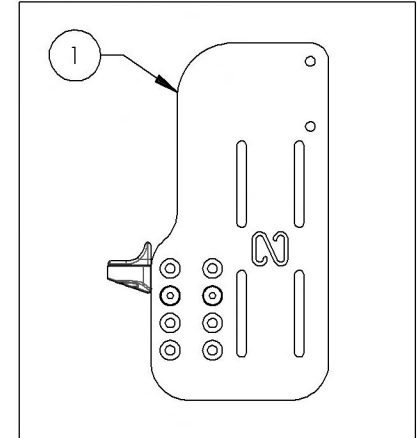
9001394_9001395

Footplate - Aluminum, Angle adjustable, Extra Deep, For Front Mount, Right

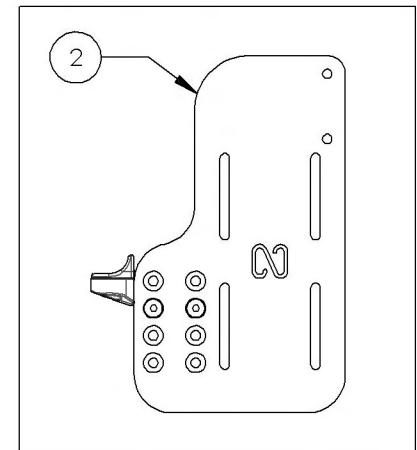
ITEM NO.	PARTNO	DESCRIPTION	9001394 /QTY.	9001395 /QTY.
1	31126	X-LONG FOOTPLATE-RIGHT 12"-13"	1	-
2	31137	X-LONG FOOTPLATE-RIGHT 14"-15"	-	1
3	90866	FLAT HEAD CAP SCREW M6X1 X 16mm LONG, FULLY THREADED	2	2
4	31112	DIRECT MOUNT ANGLE AJUSTABLE FOOTPLATE RIGHT PIVOT	1	1
5	31116	ANGLE ADJUSTABLE FOOTPLATE CLAMP	2	2



9001394
Footplate - Aluminum, Angle Adjustable,
Extra Deep, For Front Mount, Right
(Wheelchair Width: 12 to 13 in)

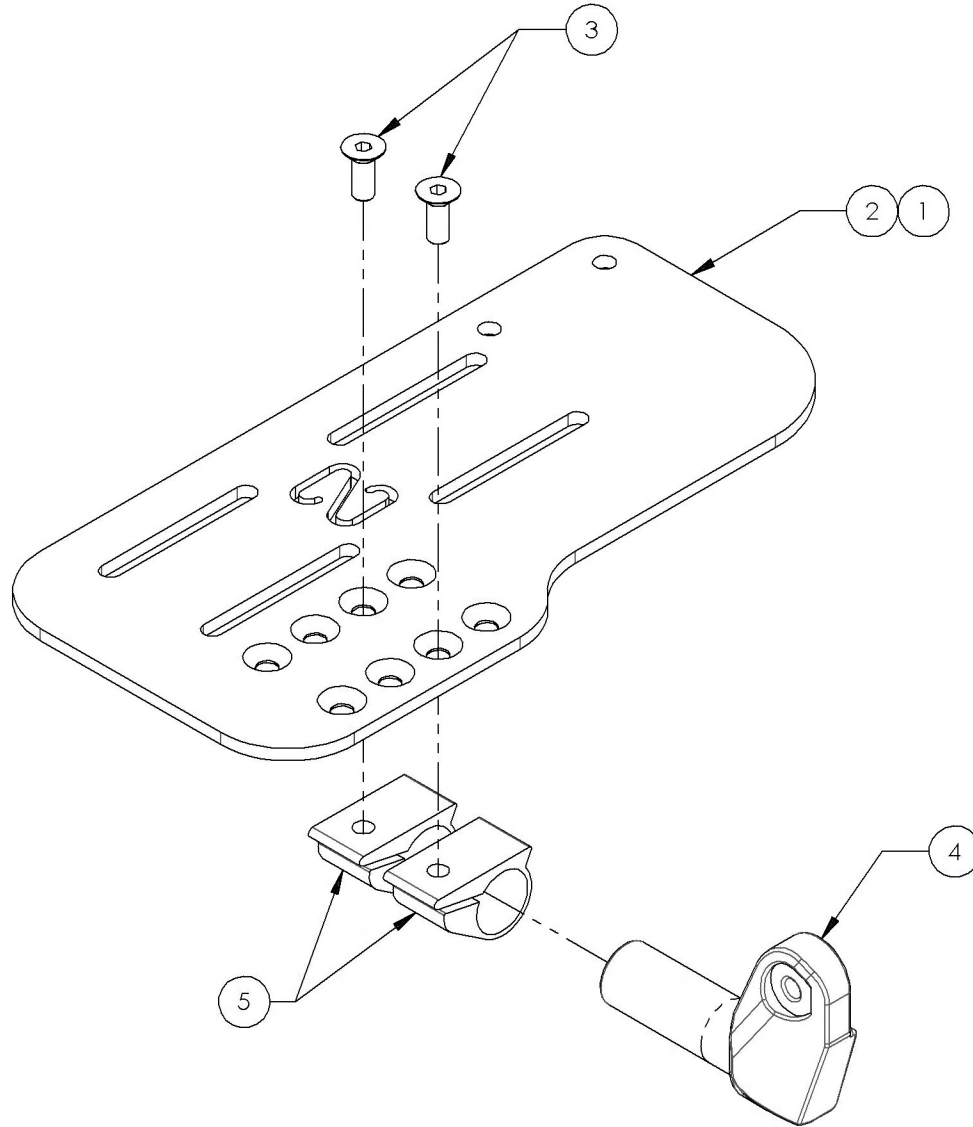


9001395
Footplate - Aluminum, Angle Adjustable,
Extra Deep, For Front Mount, Right
(Wheelchair Width: 14 to 15 in)



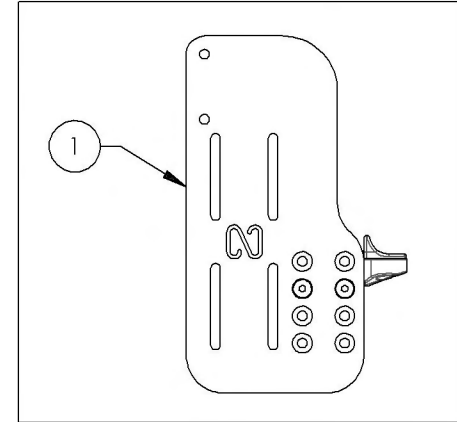
9001396_9001397

Footplate - Aluminum, Angle adjustable, Extra Deep, For Front Mount, Left

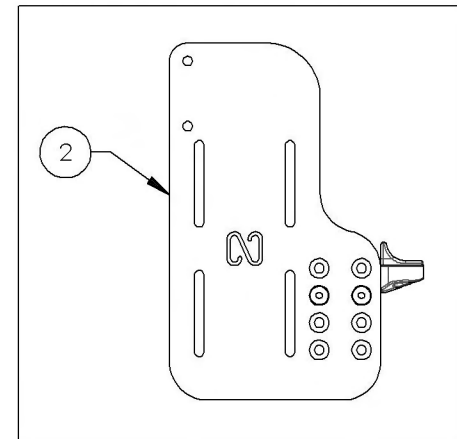


ITEM NO.	PARTNO	DESCRIPTION	9001396 /QTY.	9001397 /QTY.
1	31125	X-LONG FOOTPLATE-LEFT 12"-13"	1	-
2	31136	X-LONG FOOTPLATE-LEFT 14"-15"	-	1
3	90866	FLAT HEAD CAP SCREW M6X1 X 16mm LONG, FULLY THREADED	2	2
4	31113	DIRECT MOUNT ANGLE AJUSTABLE FOOTPLATE LEFT PIVOT	1	1
5	31116	ANGLE ADJUSTABLE FOOTPLATE CLAMP	2	2

9001396
Footplate - Aluminum, Angle Adjustable,
Extra Deep, For Front Mount, Left
(Wheelchair Width: 12 to 13 in)

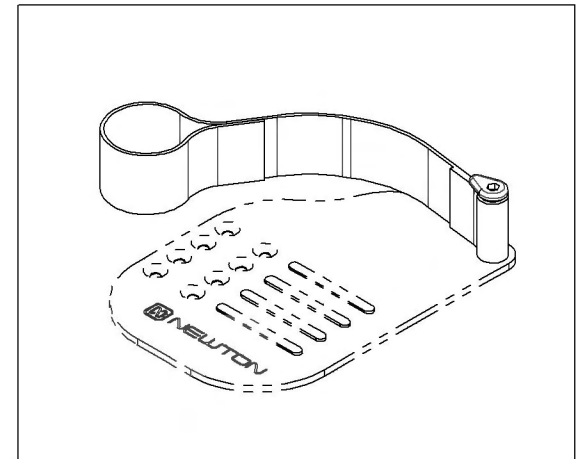
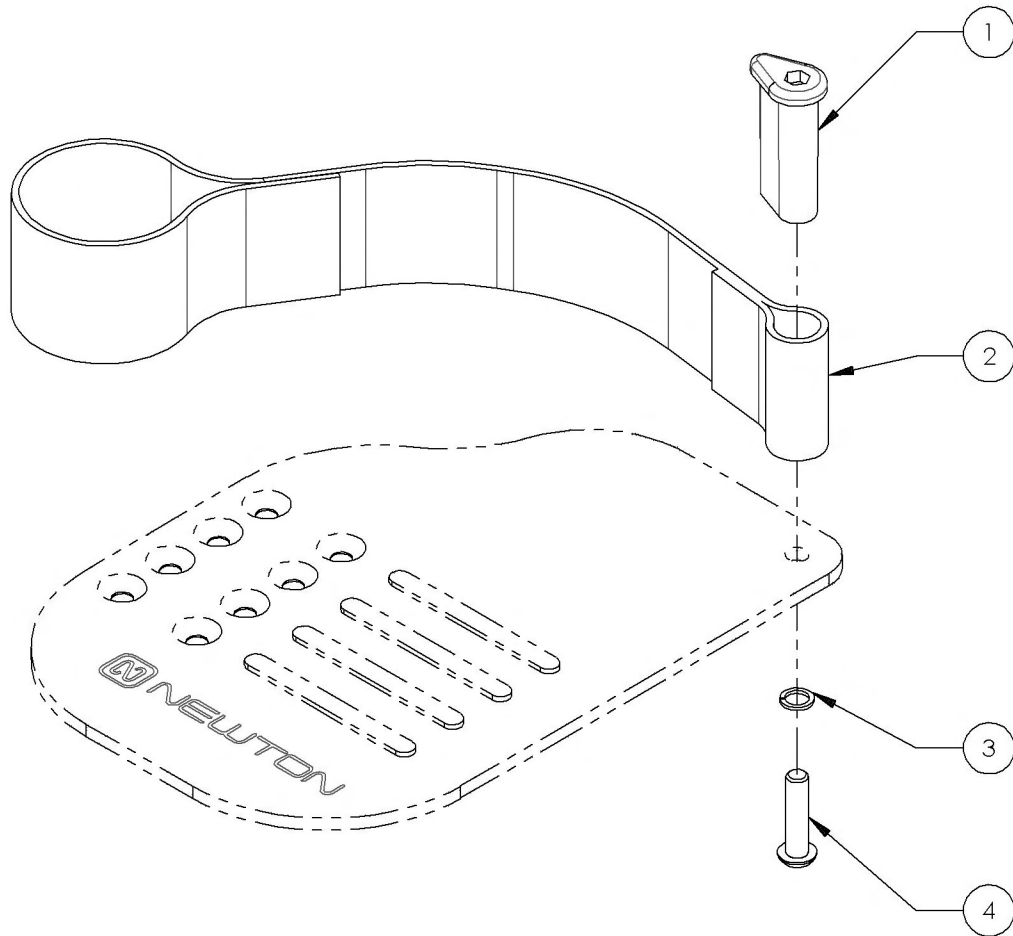


9001397
Footplate - Aluminum, Angle Adjustable,
Extra Deep, For Front Mount, Left
(Wheelchair Width: 14 to 15 in)



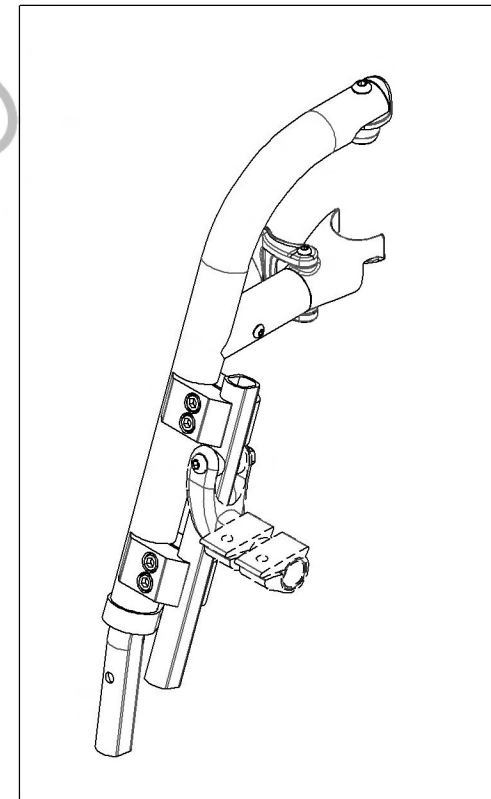
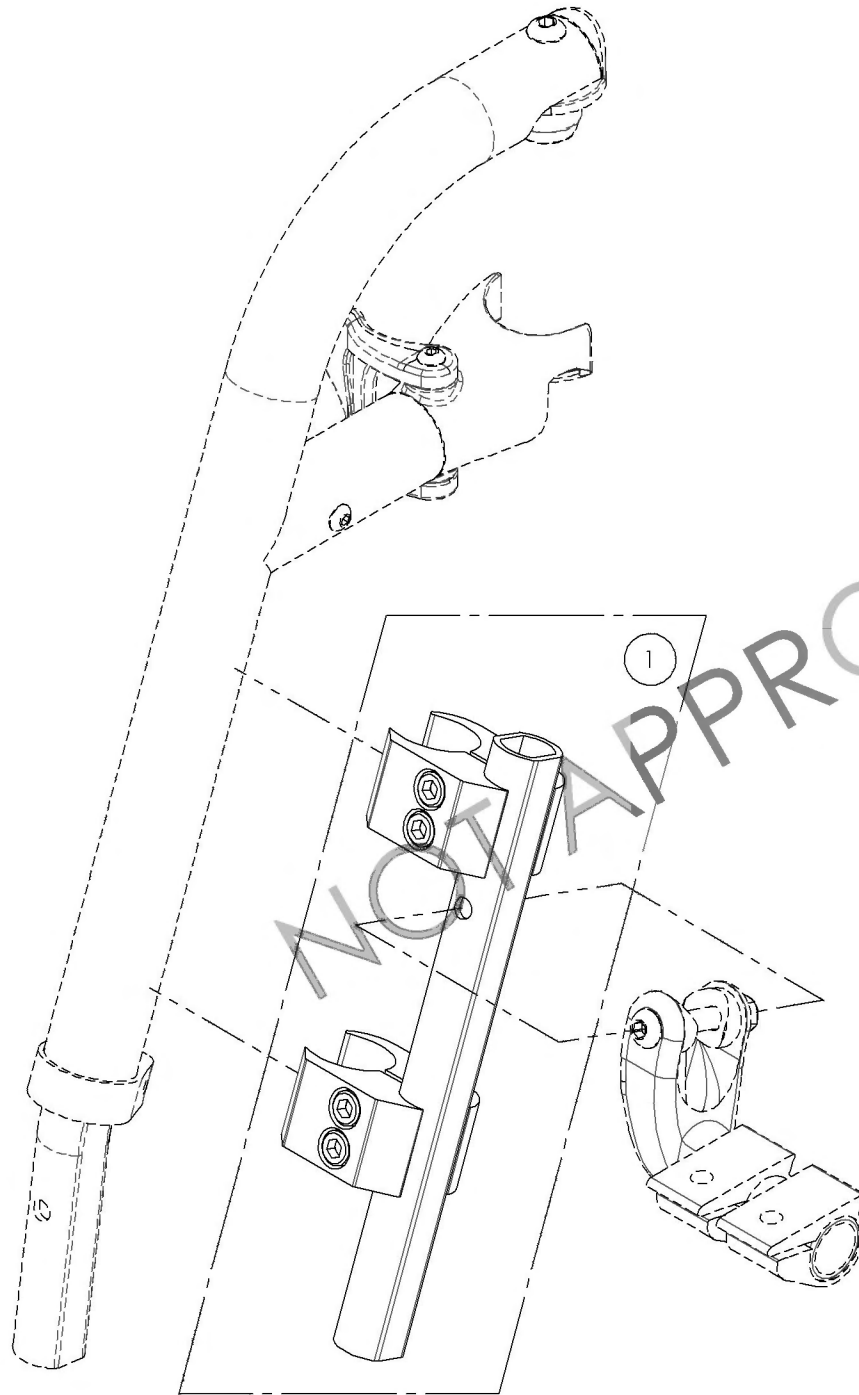
9001411
Heel Loop - Length Adjustable

ITEM NO.	PARTNO	DESCRIPTION	9001411 /QTY.
1	31016	HEEL LOOP PIN (M)	1
2	31045	ADJUSTABLE HEEL LOOP	1
3	99559	COLLAR LOCKWASHER 1_4	1
4	90663	BUTTON HEAD CAP SCREW M6X1 X 25mm LONG, FULLY THREADED	1



Footrest Catalogue
High Mount, Extension with Clamps

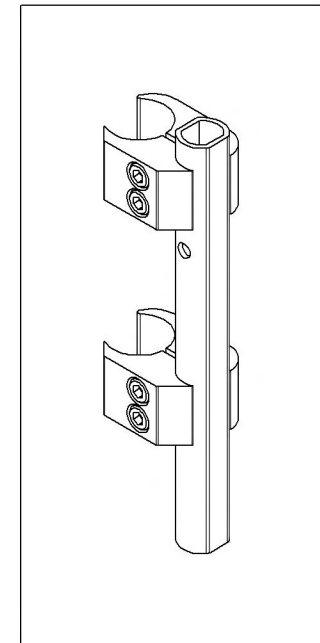
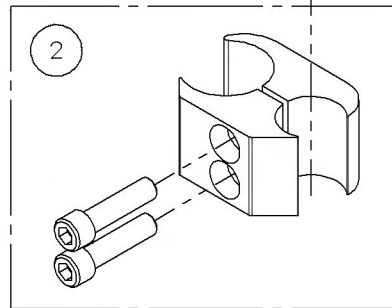
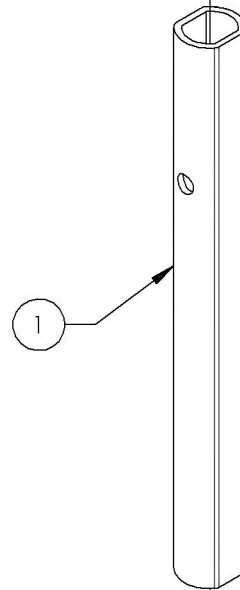
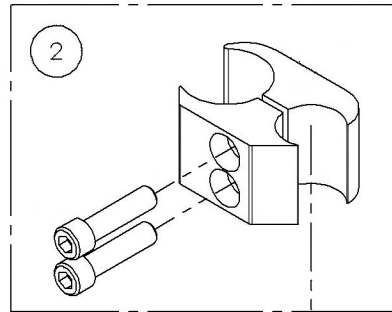
ITEM NO.	PARTNO	DESCRIPTION	9001318 /QTY.
1	9001318	Footrest - High Mount, Extension with Clamps	1



MAKE SURE TO HAVE YOUR SERIAL NUMBER
NEARBY WHEN ORDERING PARTS FOR YOUR
MOTION COMPOSITES WHEELCHAIR

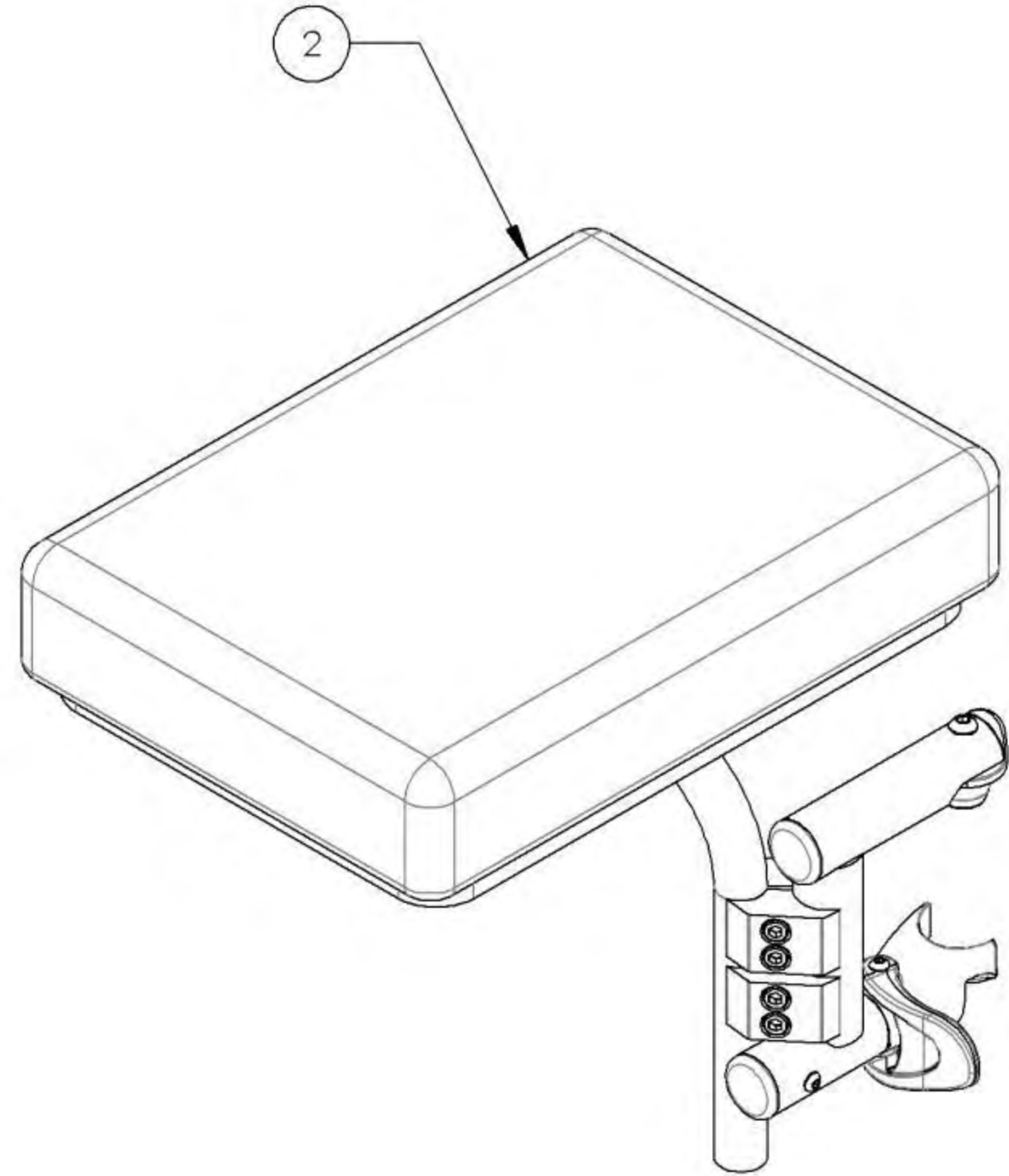
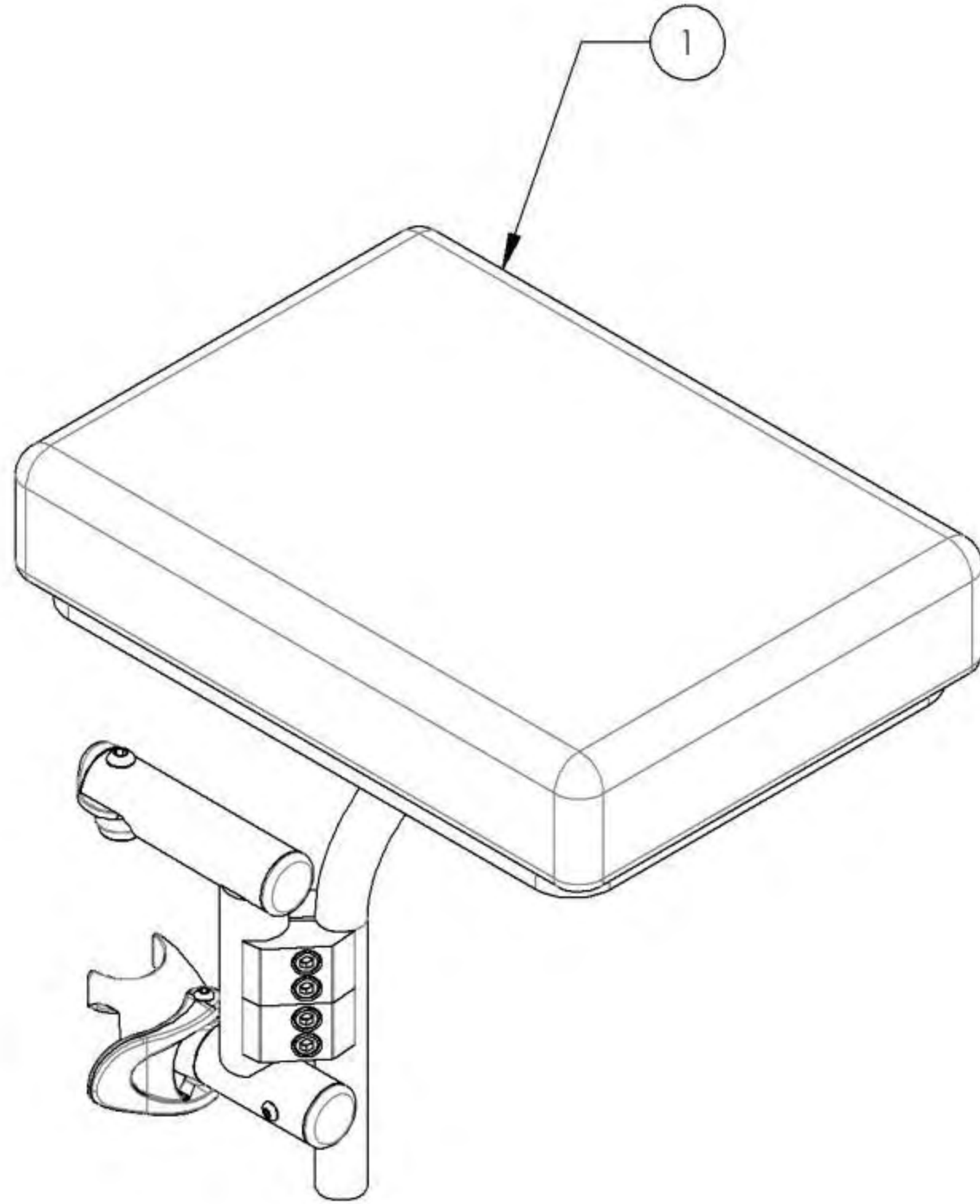
9001318
Footrest - High Mount, Extension with Clamps

ITEM NO.	PARTNO	DESCRIPTION	QTY.
1	31198	V2 FOOTREST 90° EXTENSION	1
2	41703	3/4-1" CLAMP - ASSEMBLY	2



Footrest Catalogue
Stump Supports - Swing-In/Swing-Out

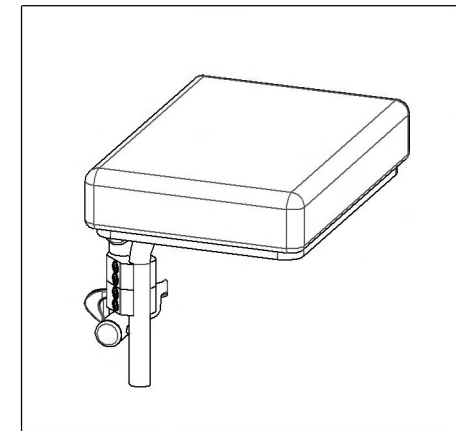
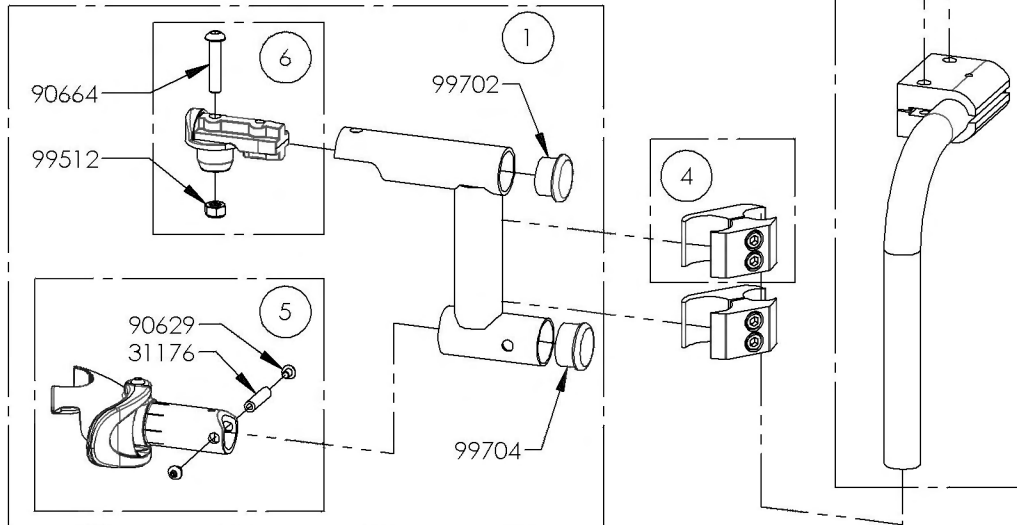
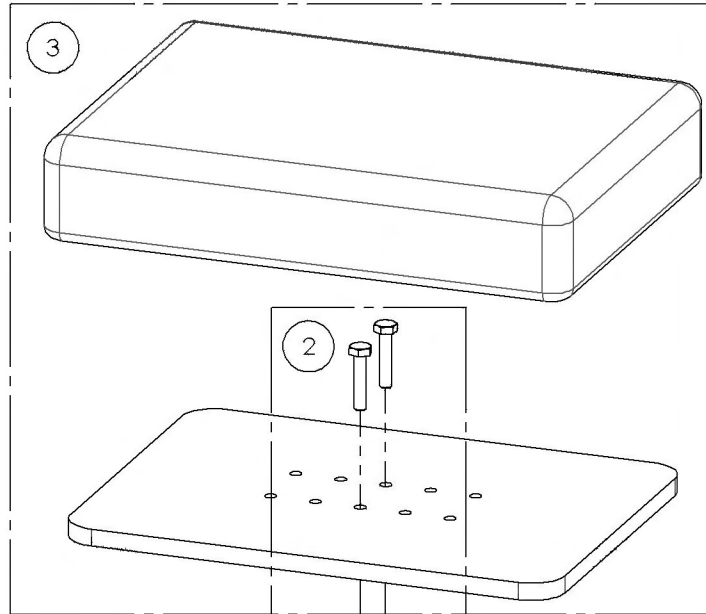
ITEM NO.	PARTNO	DESCRIPTION	QTY.
1	9001358	Stump Support - Swing-In/Swing-Out, Right	1
2	9001359	Stump Support - Swing-In/Swing-Out, Left	1



MAKE SURE TO HAVE YOUR SERIAL NUMBER
NEARBY WHEN ORDERING PARTS FOR YOUR
MOTION COMPOSITES WHEELCHAIR

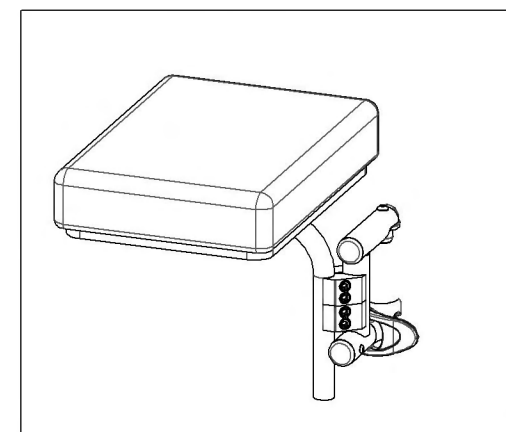
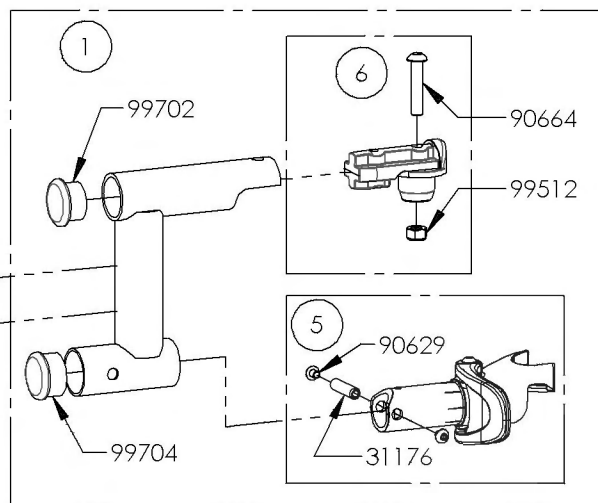
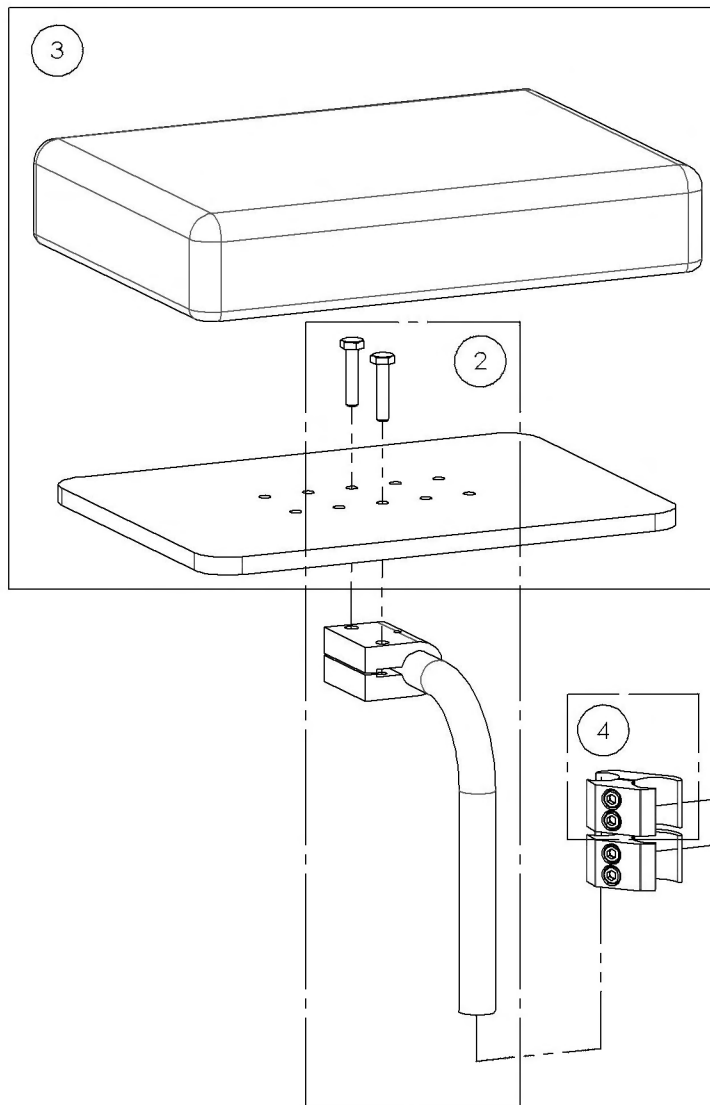
9001358
Stump Support - Swing-In/Swing-Out, Right

ITEM NO.	PARTNO	DESCRIPTION	9001358 /QTY.	REPLACEMENT PARTS/QTY.
1	31581	V2 UNIVERSAL LEGREST HANGER RIGHT - ASSEMBLY	1	-
2	31151	STUMP SUPPORT STRUCTURE	1	-
3	31153	STUMP SUPPORT PAD AND BASE PLATE - ASSEMBLY	1	-
4	41703	3/4-1" CLAMP - ASSEMBLY	2	-
5	31550	V2 FOOTREST HOUSING RIGHT - ASSEMBLY	-	1
6	31551	V2 FOOTREST PIVOT - ASSEMBLY	-	1

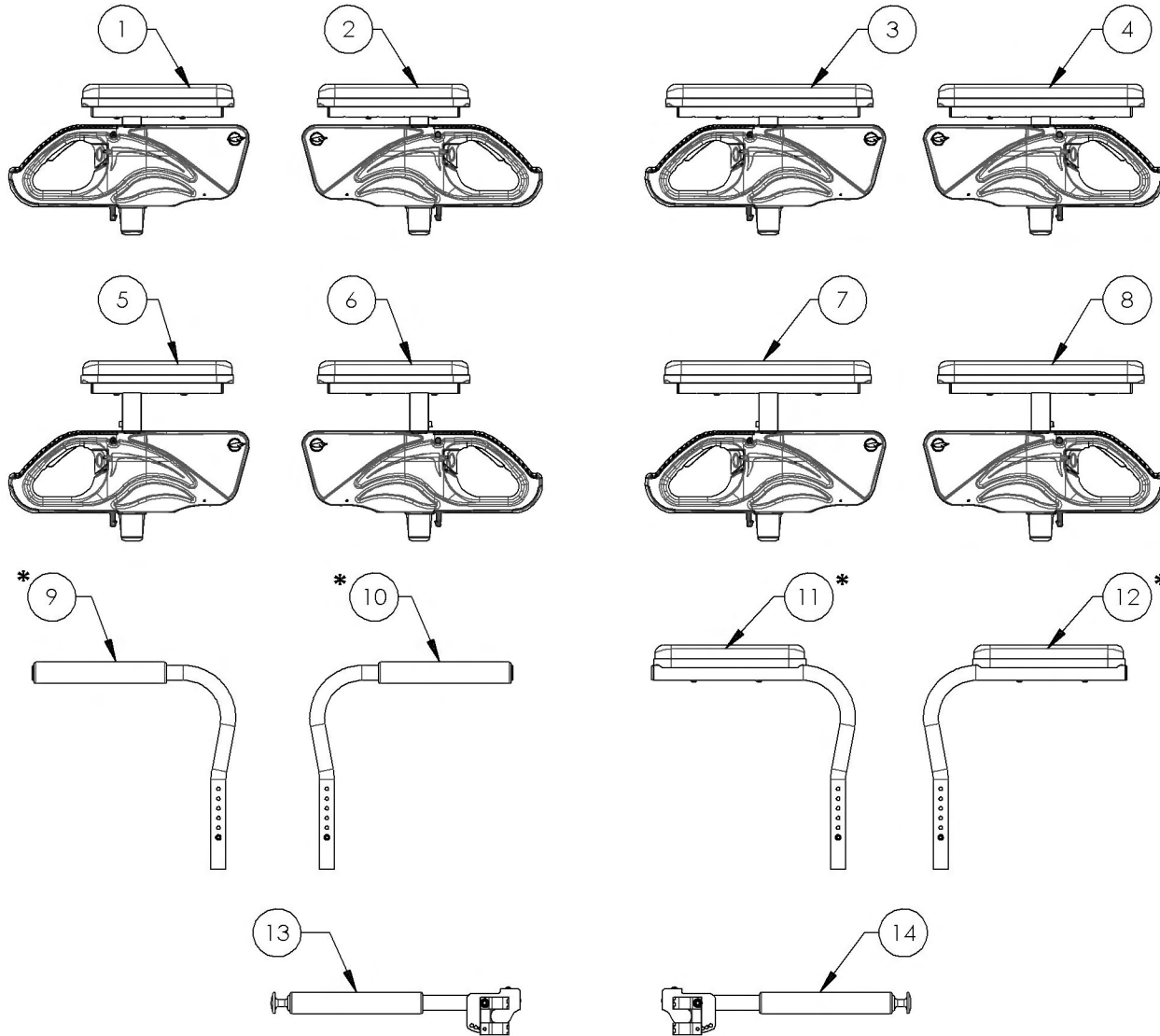


9001359
Stump Support - Swing-In/Swing-Out, Left

ITEM NO.	PARTNO	DESCRIPTION	9001359 /QTY.	REPLACEMENT PARTS/QTY.
1	31580	V2 UNIVERSAL LEGREST HANGER LEFT - ASSEMBLY	1	-
2	31151	STUMP SUPPORT STRUCTURE	1	-
3	31153	STUMP SUPPORT PAD AND BASE PLATE - ASSEMBLY	1	-
4	41703	3/4-1" CLAMP - ASSEMBLY	2	-
5	31549	V2 FOOTREST HOUSING LEFT - ASSEMBLY	-	1
6	31551	V2 FOOTREST PIVOT - ASSEMBLY	-	1



**Armrest Catalogue
Armrests**

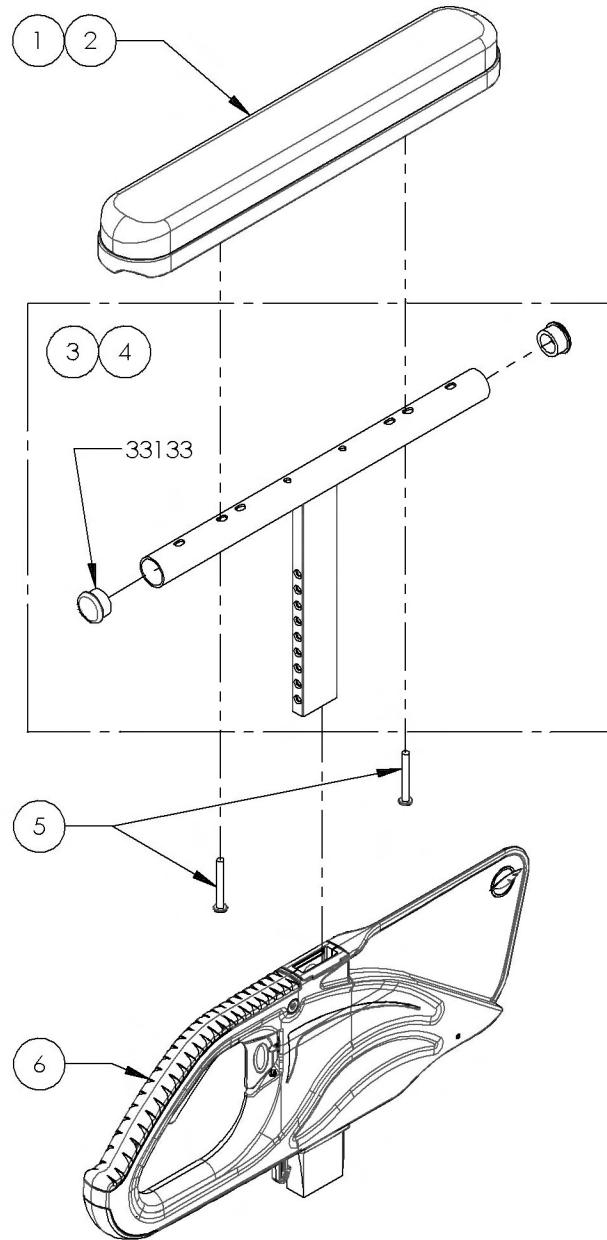


ITEM NO.	PARTNO	DESCRIPTION	QTY.
1	9001299	Armrest - Flip Back & T Type Right, 8-12 in, Desk Length	1
2	9001303	Armrest - Flip Back & T Type Left, 8-12 in, Desk Length	1
3	9001300	Armrest - Flip Back & T Type Right, 8-12 in, Full Length	1
4	9001304	Armrest - Flip Back & T Type Left, 8-12 in, Full Length	1
5	9001301	Armrest - Flip Back & T Type Right, 10-14 in, Desk Length	1
6	9001305	Armrest - Flip Back & T Type Left, 10-14 in, Desk Length	1
7	9001302	Armrest - Flip Back & T Type Right, 10-14 in, Full Length	1
8	9001306	Armrest - Flip Back & T Type Left, 10-14 in, Full Length	1
9	9001308	Armrest - Swing Away, Right, Tubular	1
10	9001309	Armrest - Swing Away, Left, Tubular	1
11	9001310	Armrest - Swing Away, Right, Desk Length	1
12	9001311	Armrest - Swing Away, Left, Desk Length	1
13	9001316	Locking Armrest - Flip Up, Right	1
14	9001317	Locking Armrest - Flip Up, Left	1

*:NOT AVAILABLE FOR KIDS WHEELCHAIRS

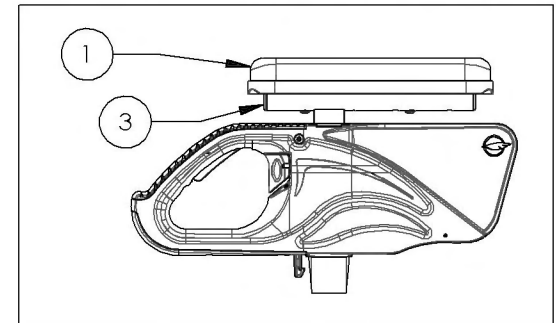
MAKE SURE TO HAVE YOUR SERIAL NUMBER
NEARBY WHEN ORDERING PARTS FOR YOUR
MOTION COMPOSITES WHEELCHAIR

9001299_9001300
Armrest - Flip Back & T Type Right, 8-12 in

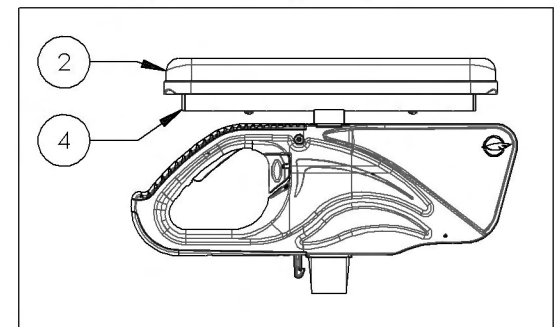


ITEM NO.	PARTNO	DESCRIPTION	9001299 /QTY.	9001300 /QTY.
1	33038	ARMREST DESK PAD	1	-
2	33039	ARMREST FULL LENGTH PAD	-	1
3	33579	V2 ARMREST STRUCTURE 8-12" FOR DESK LENGTH - ASSEMBLY	1	-
4	33559	V2 ARMREST STRUCTURE 8-12" FOR FULL LENGTH - ASSEMBLY	-	1
5	99013	SCREW PHILLIPS PAN HD #10_32 X 1_1_2	2	2
6	33554	V2 ARMREST - MAIN BODY	1	1

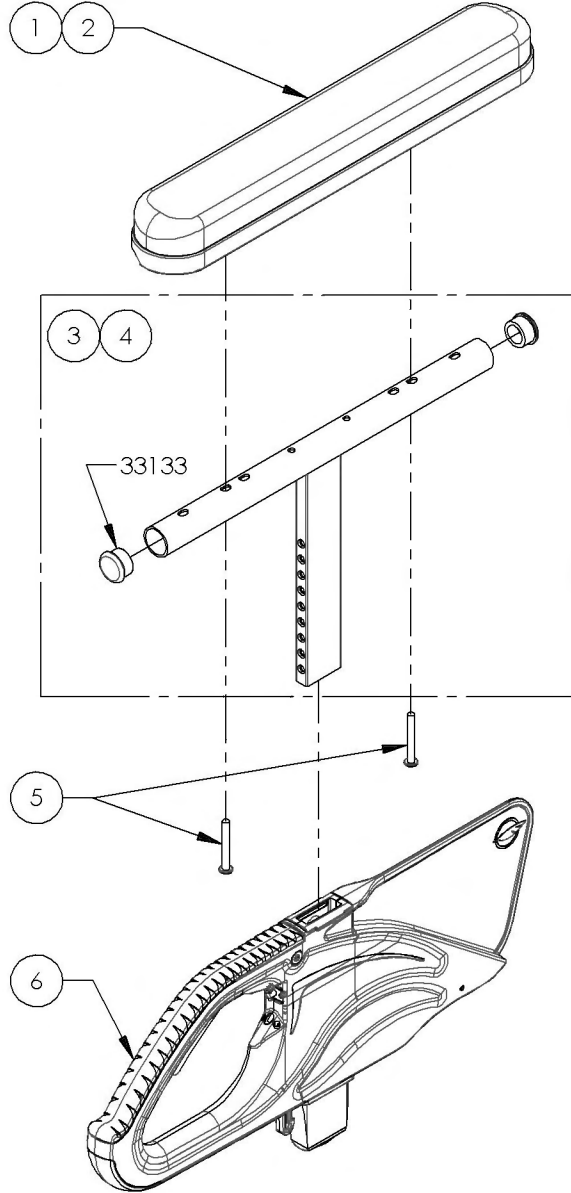
9001299
 Armrest - Flip Back & T Type Right, 8-12 in, Desk Length



9001300
 Armrest - Flip Back & T Type Right, 8-12 in, Full Length

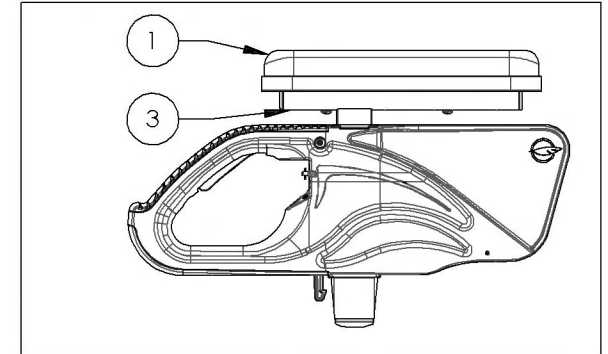


9001303_9001304
Armrest - Flip Back & T Type Left, 8-12 in

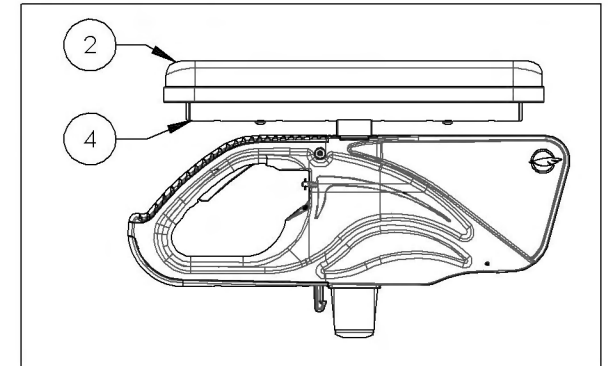


ITEM NO.	PARTNO	DESCRIPTION	9001303 /QTY.	9001304 /QTY.
1	33038	ARMREST DESK PAD	1	-
2	33039	ARMREST FULL LENGTH PAD	-	1
3	33579	V2 ARMREST STRUCTURE 8-12" FOR DESK LENGTH - ASSEMBLY	1	-
4	33559	V2 ARMREST STRUCTURE 8-12" FOR FULL LENGTH - ASSEMBLY	-	1
5	99013	SCREW PHILLIPS PAN HD #10_32 X 1_1_2	2	2
6	33554	V2 ARMREST - MAIN BODY	1	1

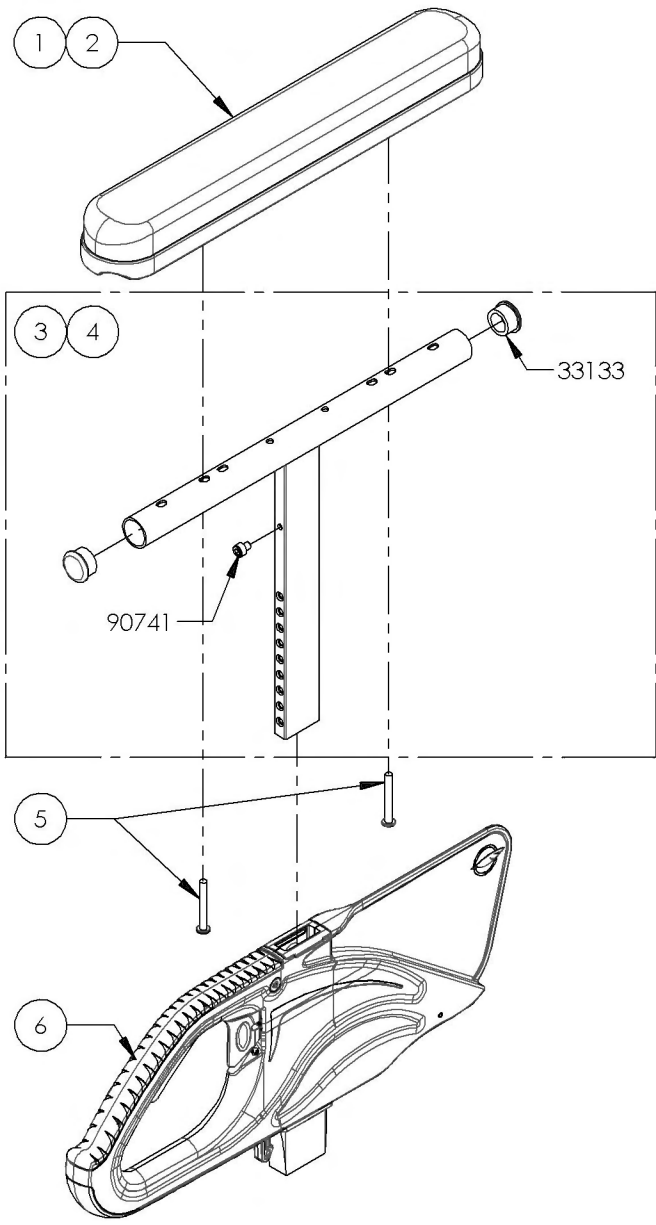
9001303
 Armrest - Flip Back & T Type Left, 8-12 in, Desk Length



9001304
 Armrest - Flip Back & T Type Left, 8-12 in, Full Length

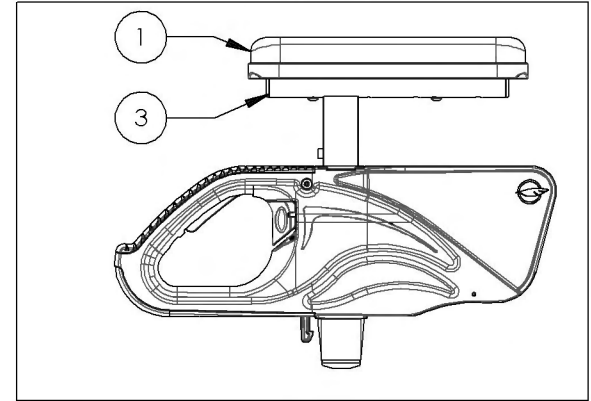


9001301_9001302
Armrest - Flip Back & T Type Right, 10-14 in

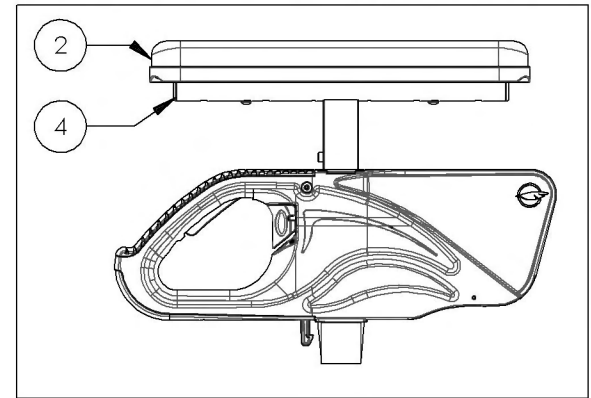


ITEM NO.	PARTNO	DESCRIPTION	9001301 /QTY.	9001302 /QTY.
1	33038	ARMREST DESK PAD	1	-
2	33039	ARMREST FULL LENGTH PAD	-	1
3	33580	V2 ARMREST STRUCTURE 10-14" FOR DESK LENGTH - ASSEMBLY	1	-
4	33560	V2 ARMREST STRUCTURE 10-14" FOR FULL LENGTH - ASSEMBLY	-	1
5	99013	SCREW PHILLIPS PAN HD #10_32 X 1_1_2	2	2
6	33554	V2 ARMREST - MAIN BODY	1	1

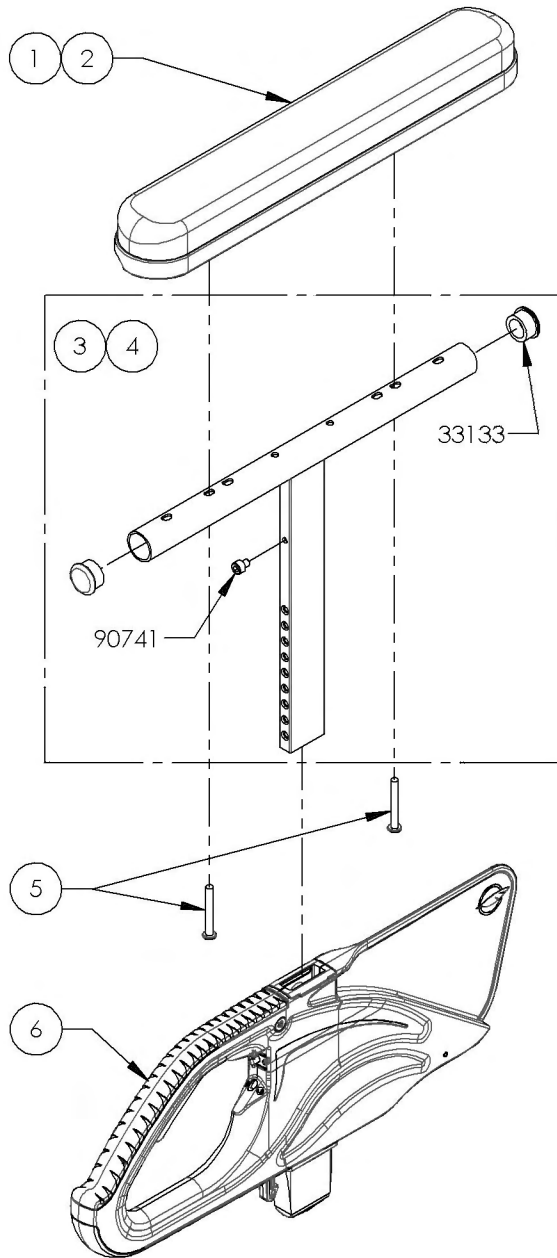
9001301
 Armrest - Flip Back & T Type Right, 10-14 in, Desk Length



9001302
 Armrest - Flip Back & T Type Right, 10-14 in, Full Length

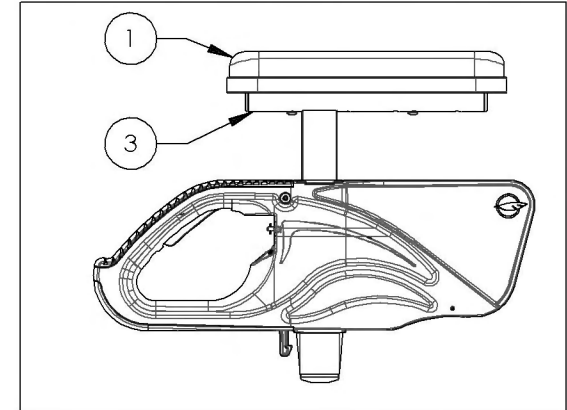


9001305_9001306
Armrest - Flip Back & T Type Left, 10-14 in

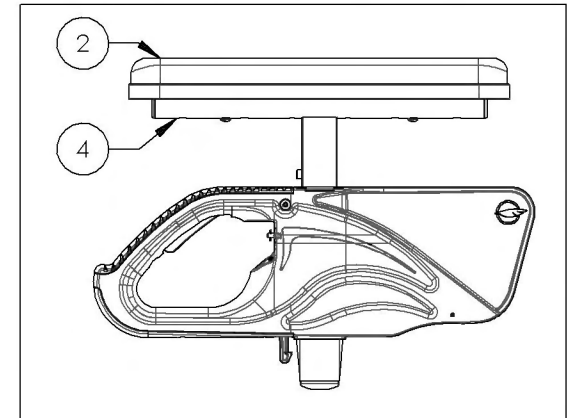


ITEM NO.	PARTNO	DESCRIPTION	9001305 /QTY.	9001306 /QTY.
1	33038	ARMREST DESK PAD	1	-
2	33039	ARMREST FULL LENGTH PAD	-	1
3	33580	V2 ARMREST STRUCTURE 10-14" FOR DESK LENGTH - ASSEMBLY	1	-
4	33560	V2 ARMREST STRUCTURE 10-14" FOR FULL LENGTH - ASSEMBLY	-	1
5	99013	SCREW PHILLIPS PAN HD #10_32 X 1_1_2	2	2
6	33554	V2 ARMREST - MAIN BODY	1	1

9001305
 Armrest - Flip Back & T Type Left, 10-14 in, Desk Length

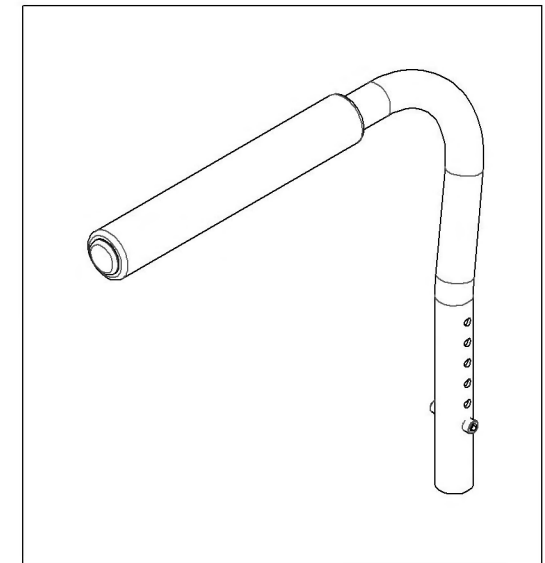
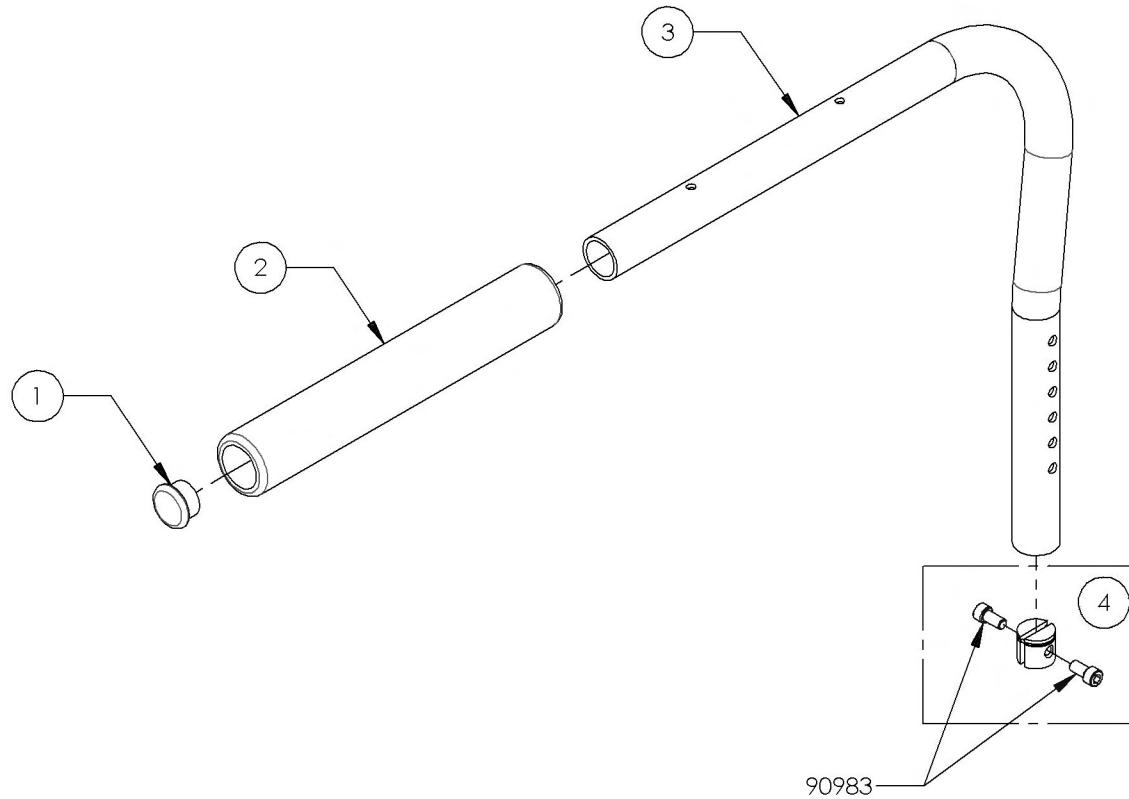


9001306
 Armrest - Flip Back & T Type Left, 10-14 in, Full Length



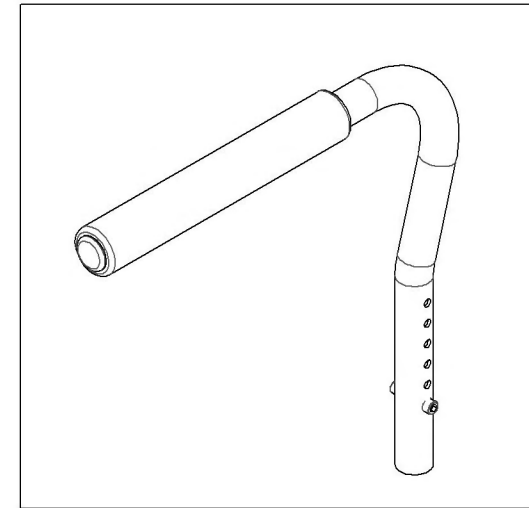
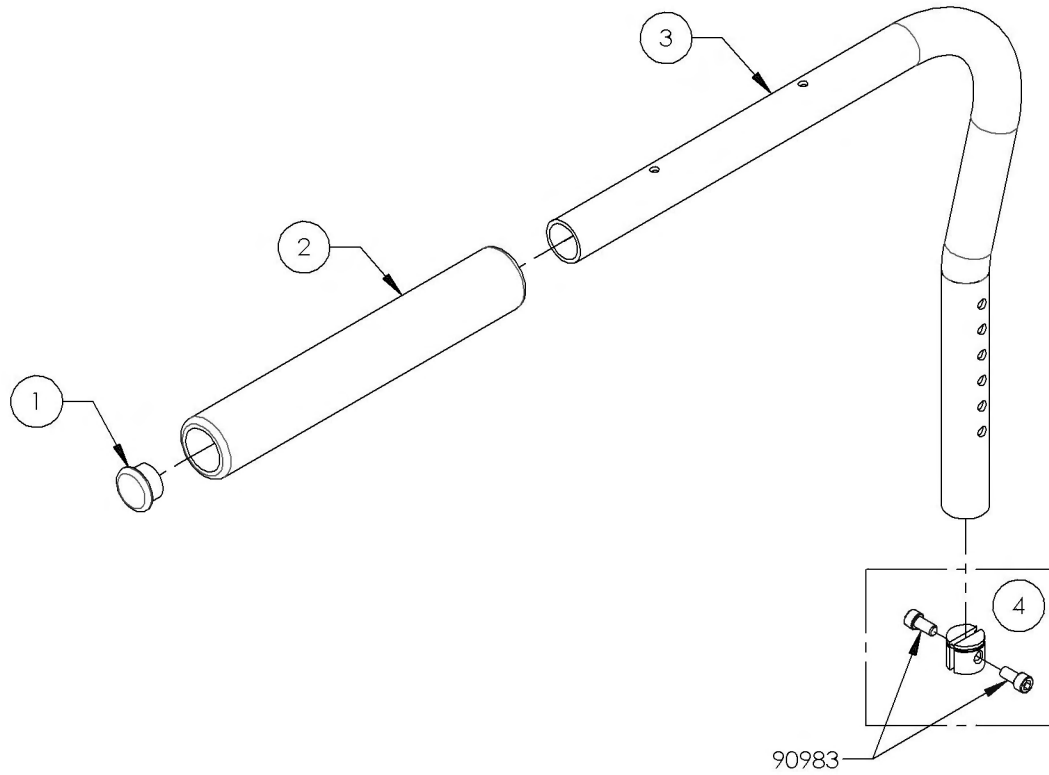
9001308
Armrest - Swing Away, Right, Tubular

ITEM NO.	PARTNO	DESCRIPTION	9001308 /QTY.
1	99702	CAP 1 IN ALU	1
2	33049	SWING AWAY TUBULAR FOAM GRIP	1
3	33035	L TYPE ARMREST RIGHT (M)	1
4	33552	SPLIT NUT (M)	1



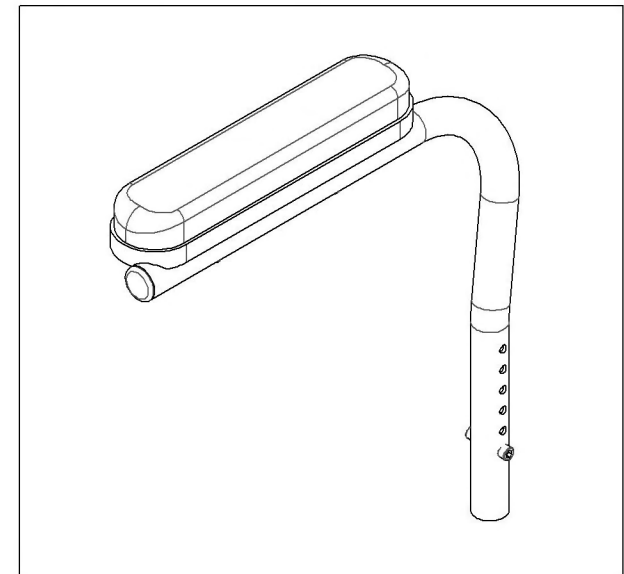
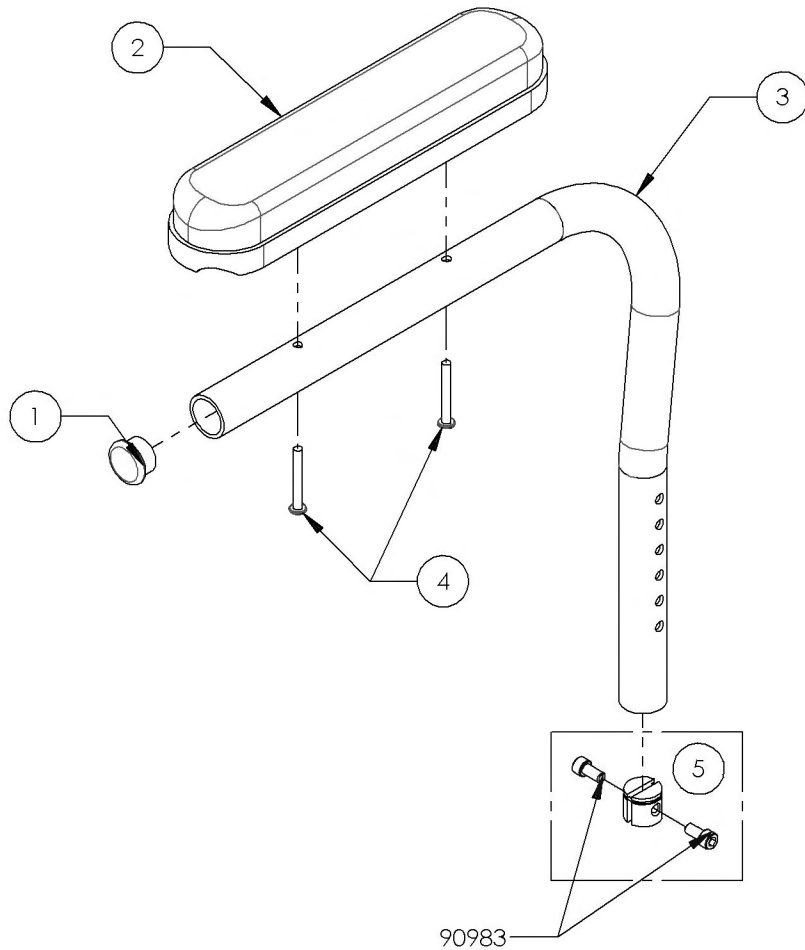
9001309
Armrest - Swing Away, Left, Tubular

ITEM NO.	PARTNO	DESCRIPTION	9001309 /QTY.
1	99702	CAP 1 IN ALU	1
2	33049	SWING AWAY TUBULAR FOAM GRIP	1
3	33036	L TYPE ARMREST LEFT (M)	1
4	33552	SPLIT NUT (M)	1



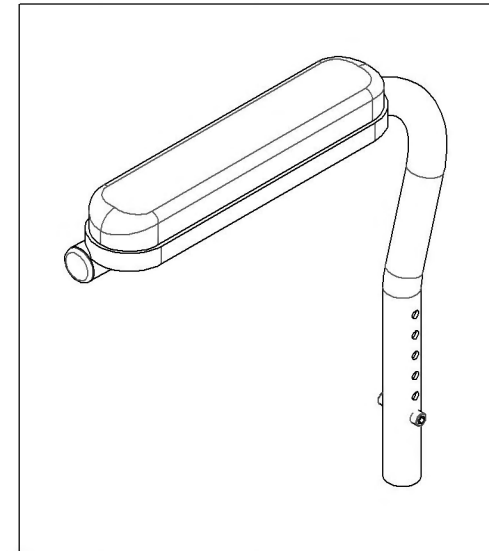
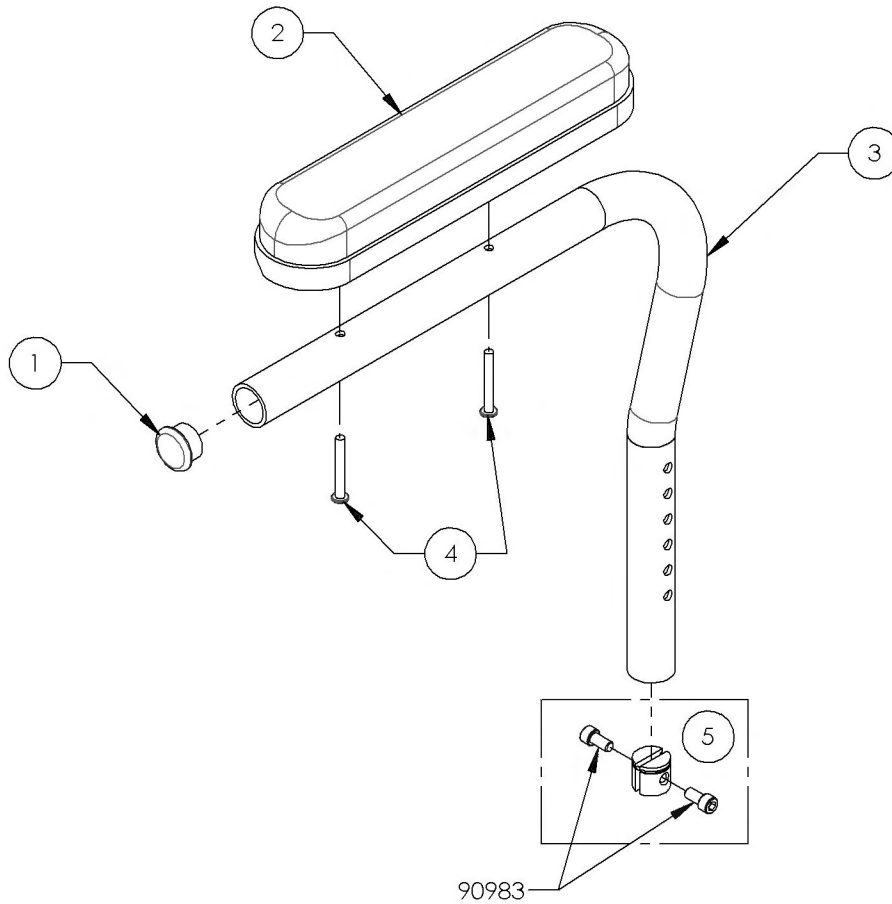
9001310
Armrest - Swing Away, Right, Desk Length

ITEM NO.	PARTNO	DESCRIPTION	9001310 /QTY.
1	99702	CAP 1 IN ALU	1
2	33038	ARMREST DESK PAD	1
3	33035	L TYPE ARMREST RIGHT (M)	1
4	99013	SCREW PHILLIPS PAN HD #10_32 X 1_1_2	2
5	33552	SPLIT NUT (M)	1



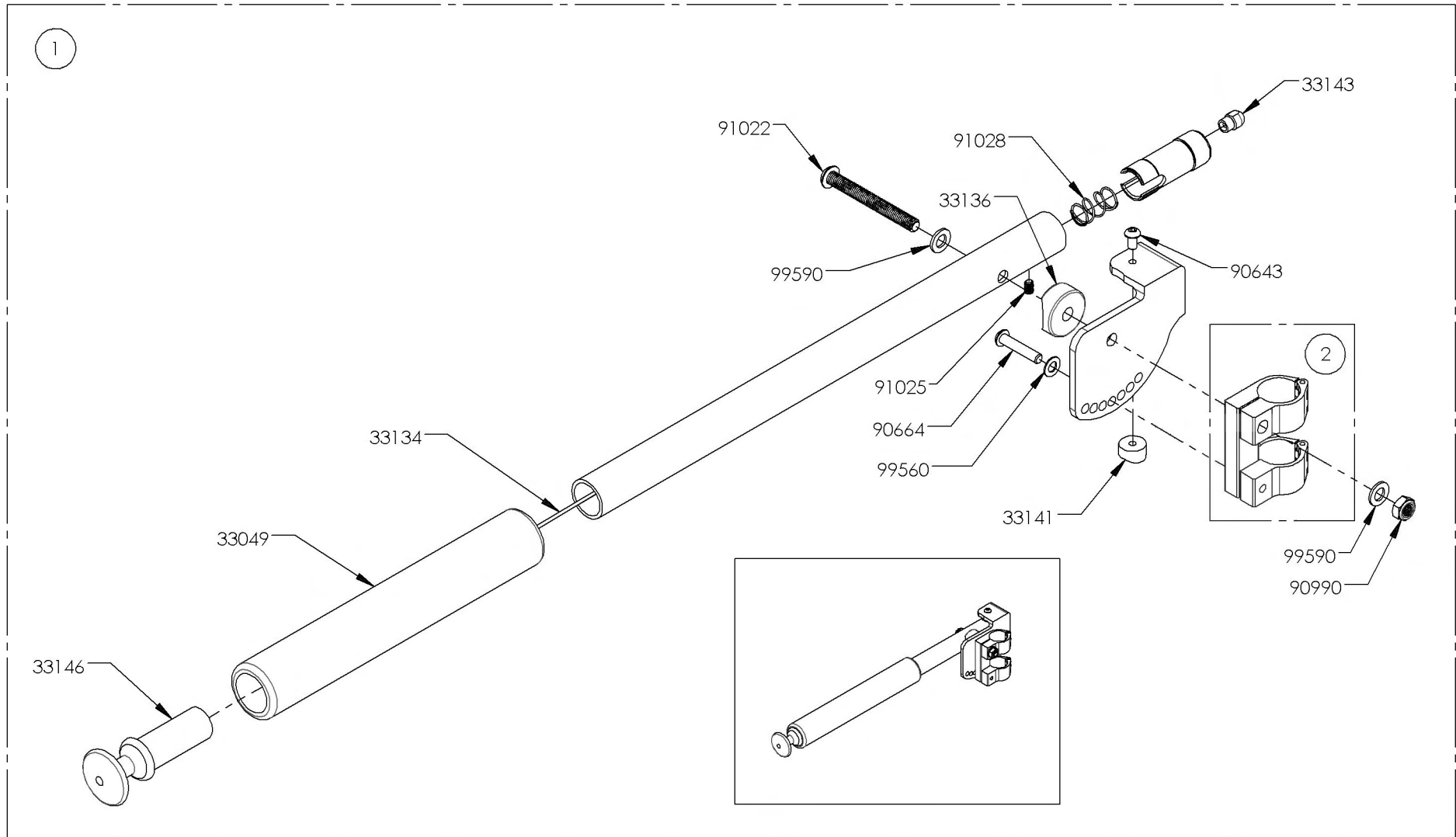
9001311
Armrest - Swing Away, Left, Desk Length

ITEM NO.	PARTNO	DESCRIPTION	9001311 /QTY.
1	99702	CAP 1 IN ALU	1
2	33038	ARMREST DESK PAD	1
3	33036	L TYPE ARMREST LEFT (M)	1
4	99013	SCREW PHILLIPS PAN HD #10_32 X 1_1_2	2
5	33552	SPLIT NUT (M)	1



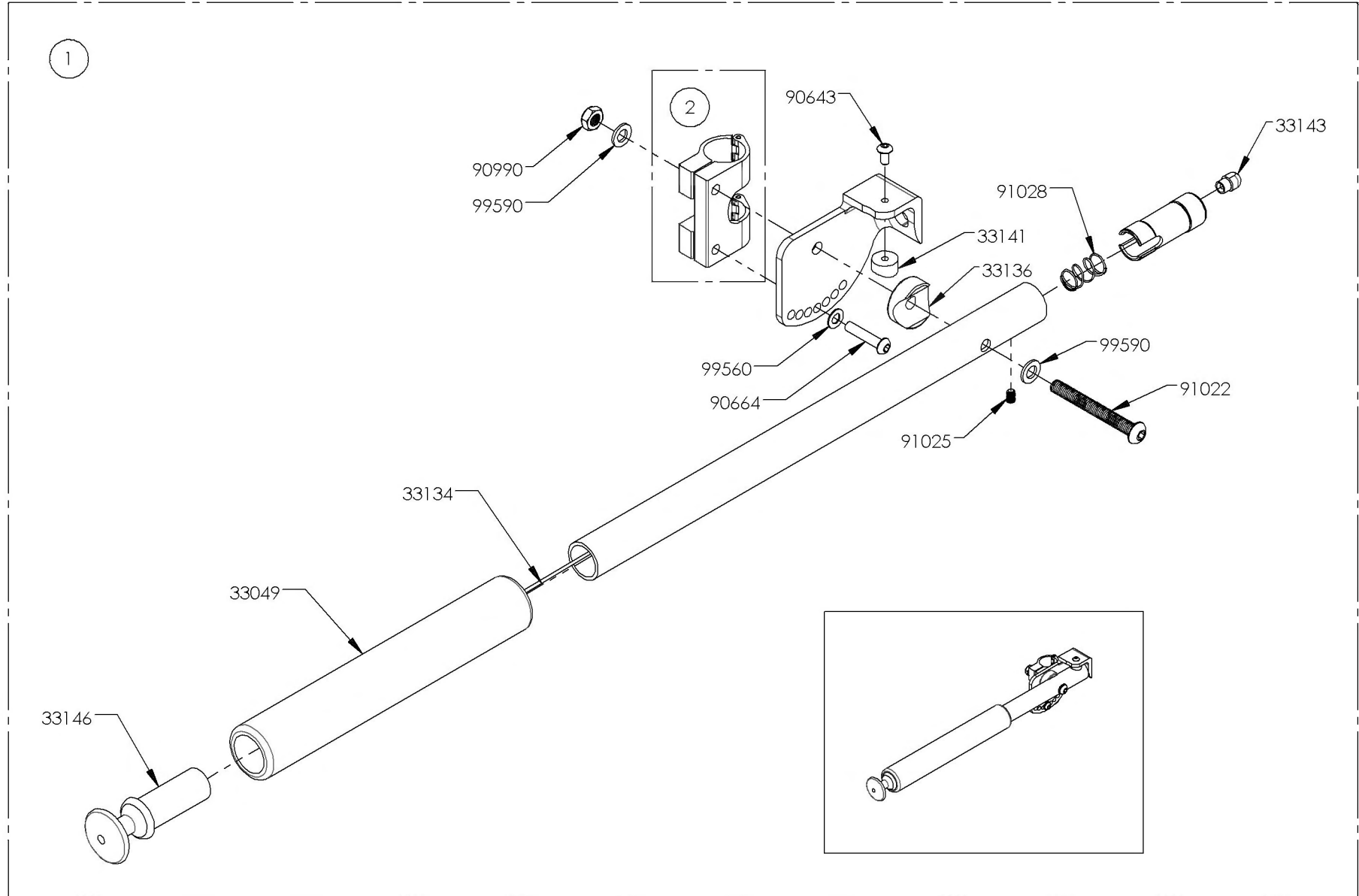
9001316
Locking Armrest - Flip Up, Right

ITEM NO.	PARTNO	DESCRIPTION	9001316 /QTY.	REPLACEMENT PARTS/QTY.
1	33503	FLIP UP I ARMREST - RIGHT ASSEMBLY (M)	1	-
2	33706	FLIP UP I ARMREST CLAMP - ASSEMBLY (M) RIGHT	-	1



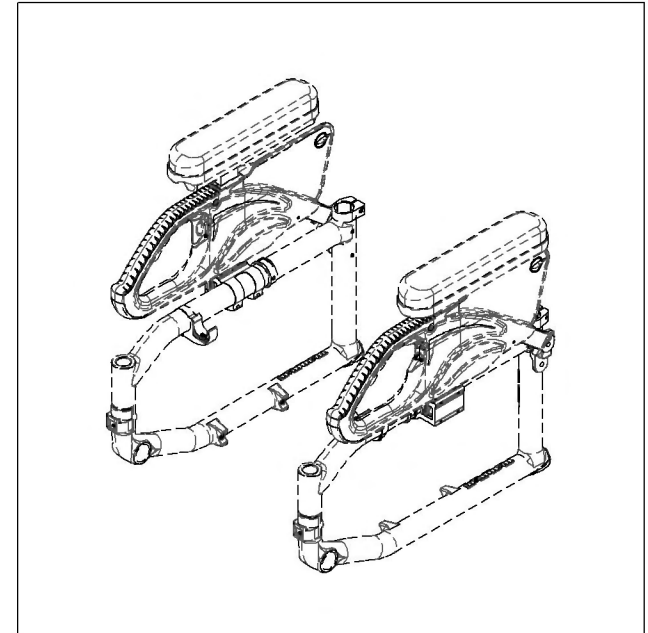
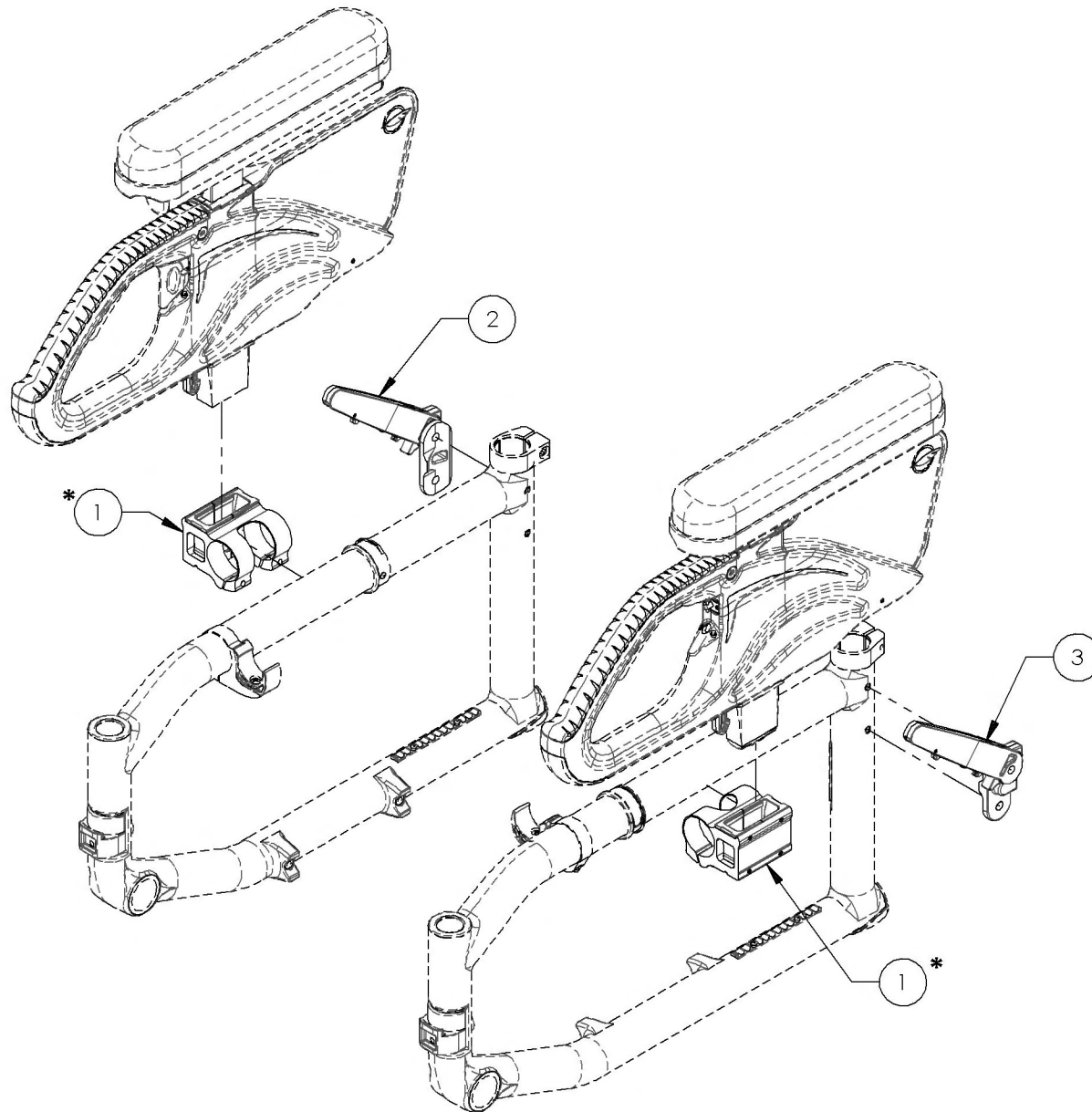
9001317
Locking Armrest - Flip Up, Left

ITEM NO.	PARTNO	DESCRIPTION	9001317 /QTY.	REPLACEMENT PARTS/QTY.
1	33504	FLIP UP I ARMREST - LEFT ASSEMBLY (M)	1	-
2	33707	FLIP UP I ARMREST CLAMP - ASSEMBLY (M) LEFT	-	1



Armrest Catalogue
Armrests - Flip Back Receiver

ITEM NO.	PARTNO	DESCRIPTION	QTY.
1	9001312	Armrest - Receiver, Flip Back & T Type	2
2	9001313	Armrest - Rear Pivot, Flip Back, Right	1
3	9001314	Armrest - Rear Pivot, Flip Back, Left	1

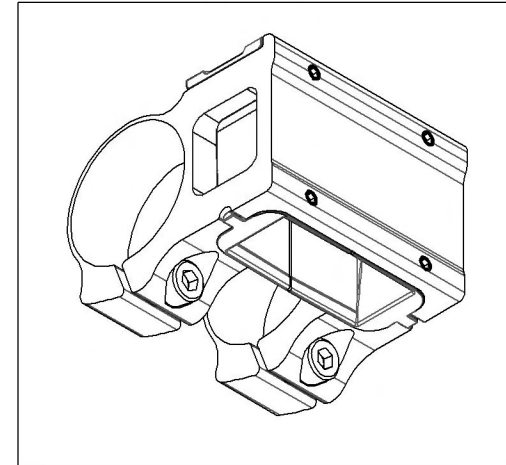
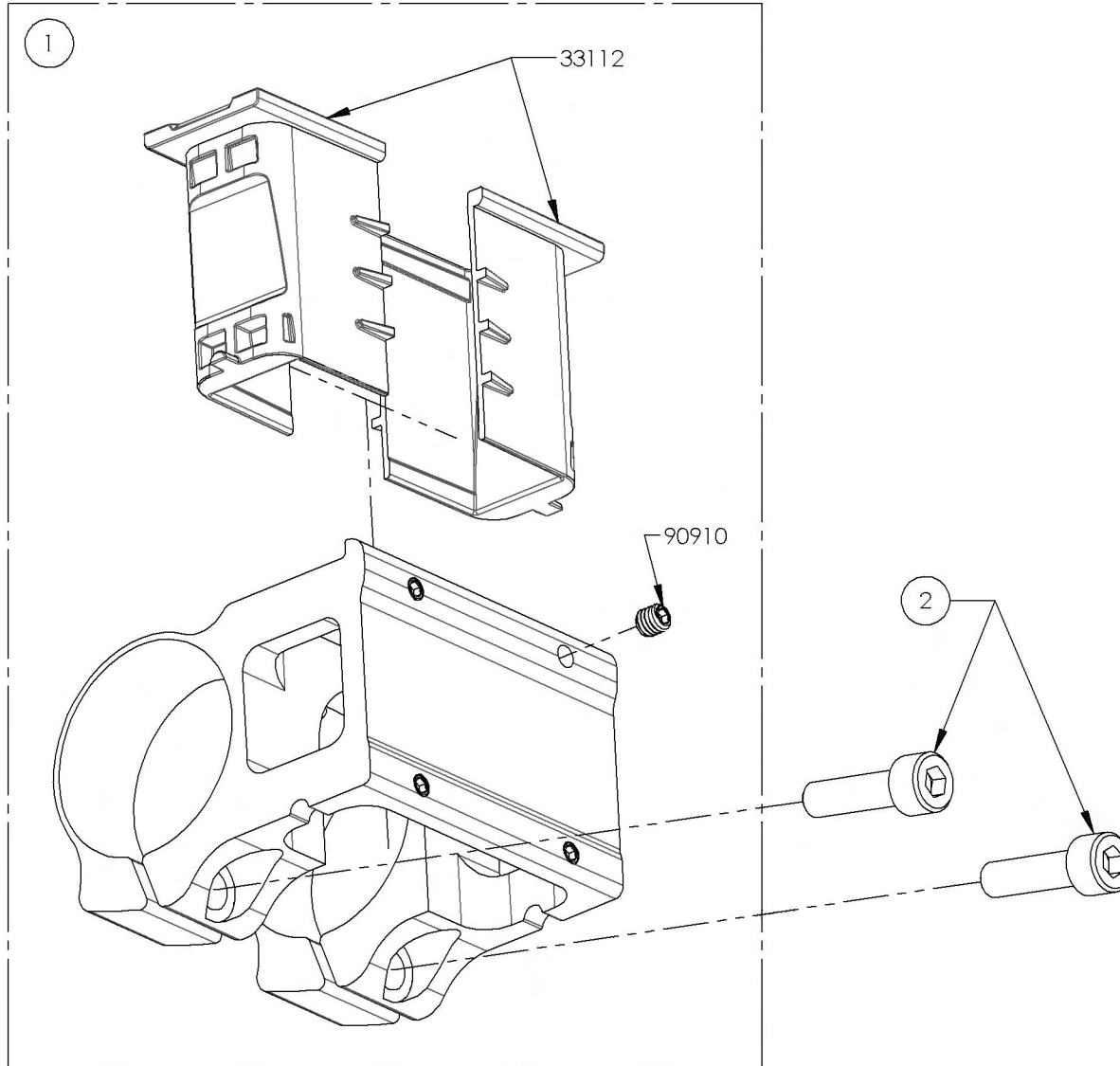


*:NOT AVAILABLE FOR MOVE WHEELCHAIRS

MAKE SURE TO HAVE YOUR SERIAL NUMBER
 NEARBY WHEN ORDERING PARTS FOR YOUR
 MOTION COMPOSITES WHEELCHAIR

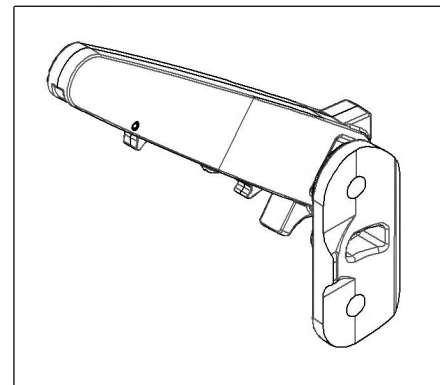
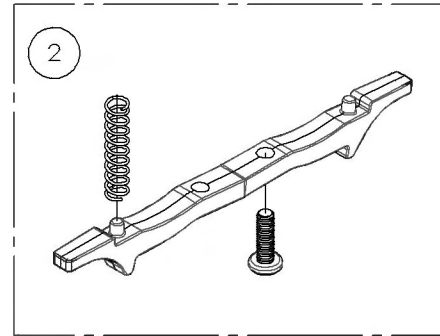
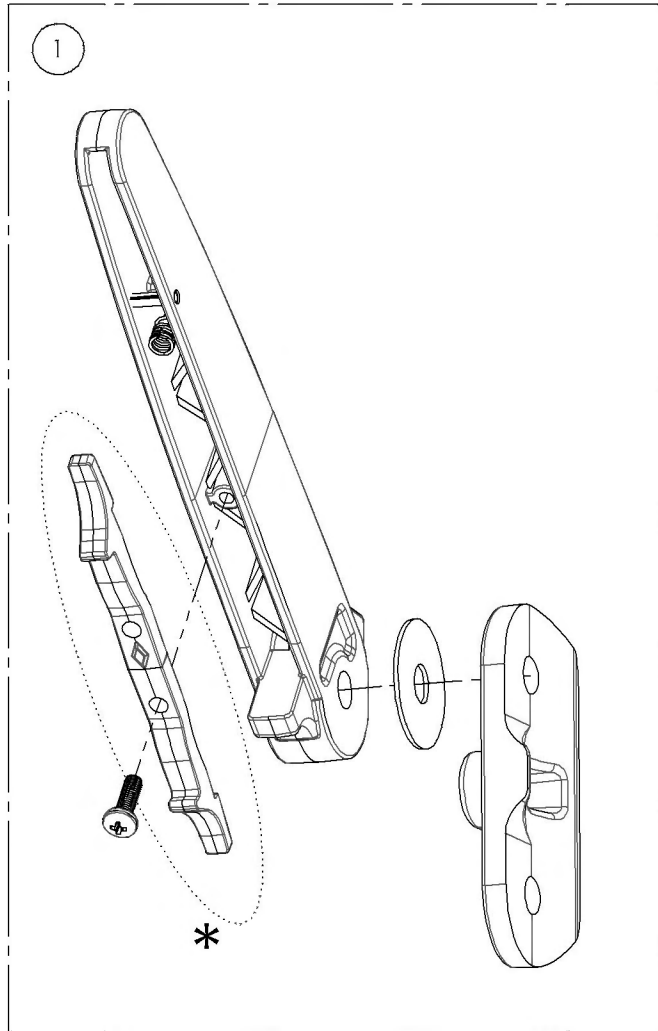
9001312
Armrest - Receiver, Flip Back & T Type

ITEM NO.	PARTNO	DESCRIPTION	9001312 /QTY.
1	33555	V2 ARMREST RECEIVER - ASSEMBLY	1
2	90748	SOCKET CAP SCREW M5X0.8 X 18mm LONG, FULLY THREADED	2



9001313
Armrest - Rear Pivot, Flip Back, Right

ITEM NO.	PARTNO	DESCRIPTION	9001313 /QTY.	REPLACEMENT PARTS/QTY.
1	33558	V2 ARMREST REAR PIVOT - ASSEMBLY	1	-
2	33561	V2 ARMREST DOUBLE HOOK TRIGGER - ASSEMBLY	-	1

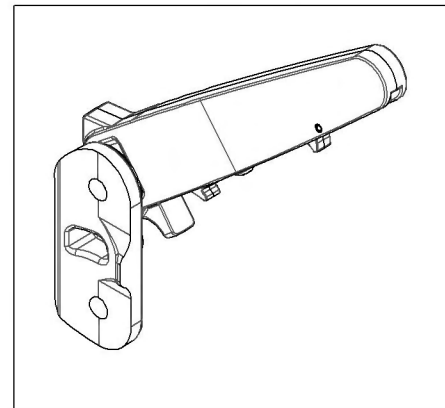
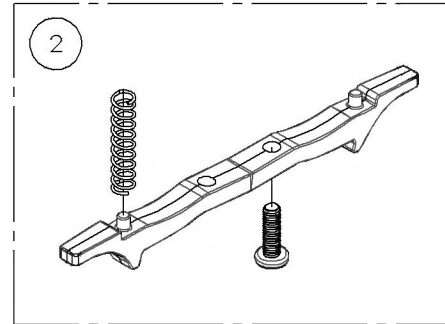
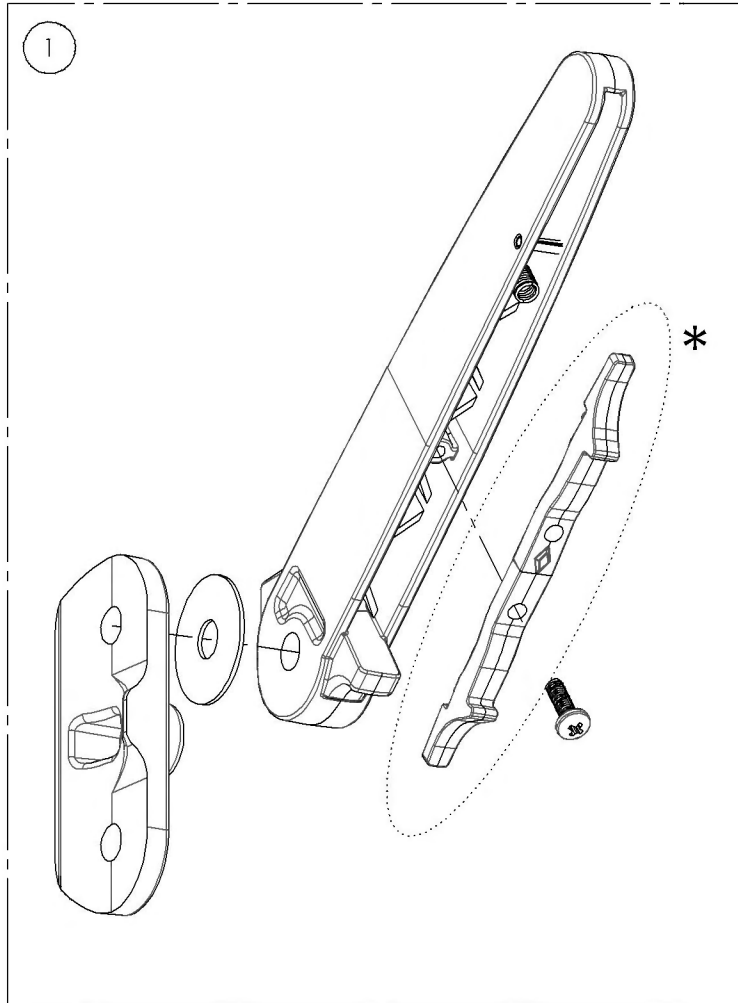


*** DOUBLE TRIGGER INSTALLATION OPTIONS**

STANDARD RELEASE	LOCK POSITION
DETAIL A	DETAIL B
<p>NOTICE THE DIRECTION OF THE DIAMOND SHAPE OF THE TRIGGER. HIS DISTANCE FROM THE SCREW INDICATES THE CONFIGURATION USED</p>	

9001314
Armrest - Rear Pivot, Flip Back, Left

ITEM NO.	PARTNO	DESCRIPTION	9001314 /QTY.	REPLACEMENT PARTS/QTY.
1	33558	V2 ARMREST REAR PIVOT - ASSEMBLY	1	-
2	33561	V2 ARMREST DOUBLE HOOK TRIGGER - ASSEMBLY	-	1

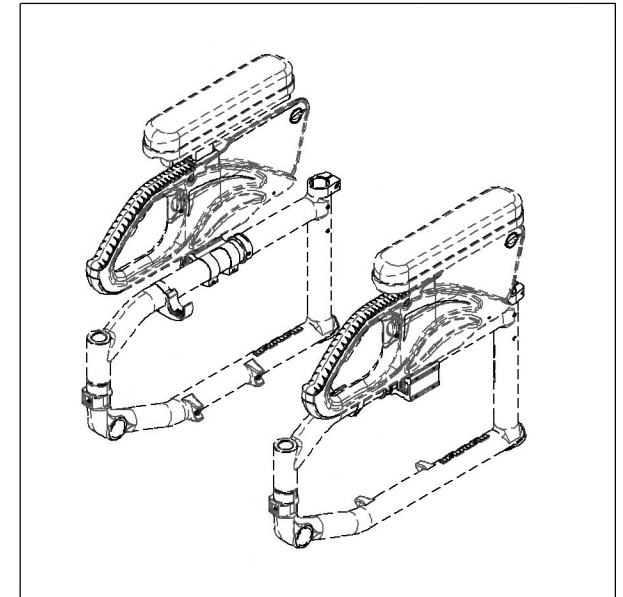
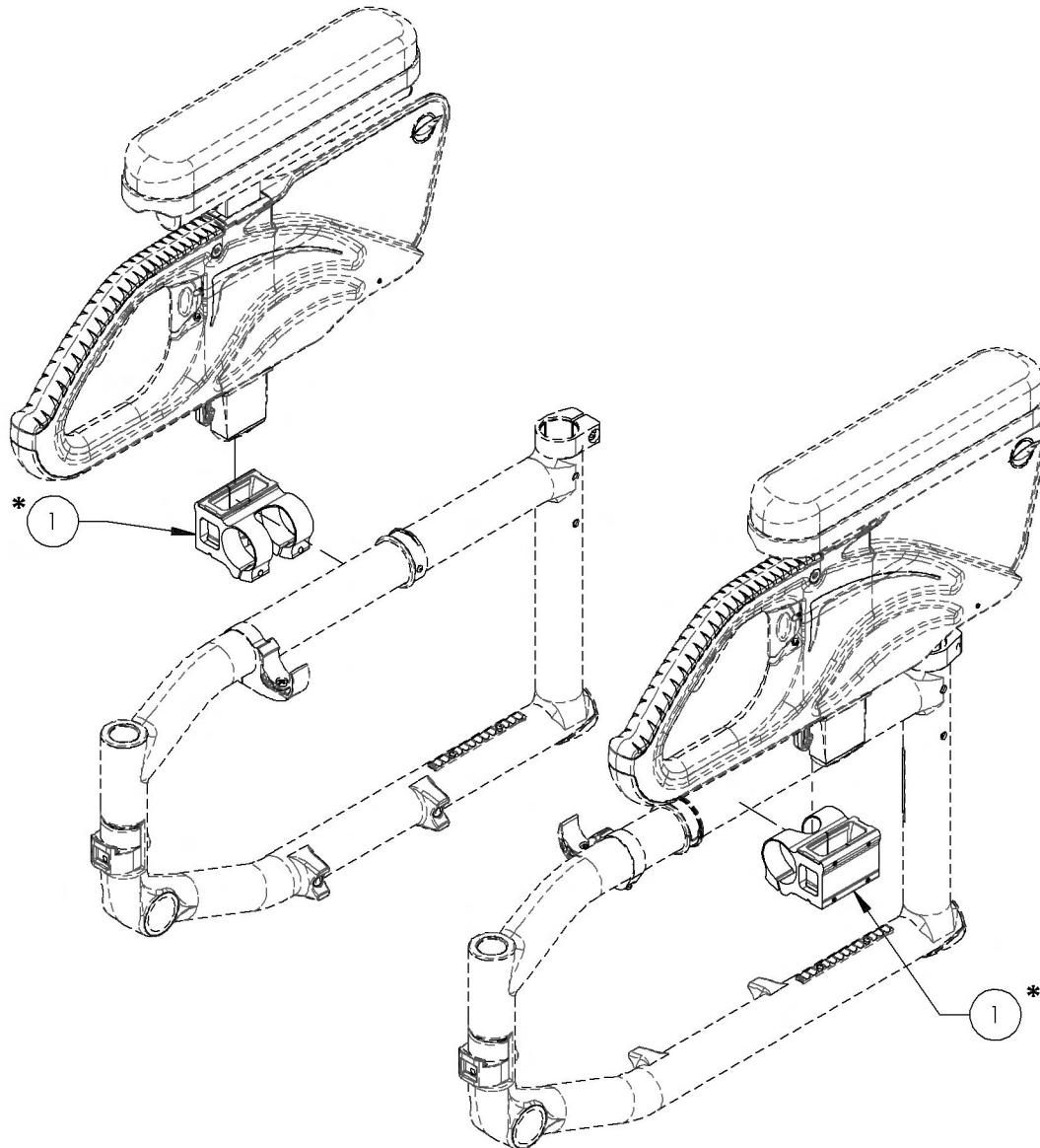


***DOUBLE TRIGGER
 INSTALLATION OPTIONS**

STANDARD RELEASE	LOCK POSITION
DETAIL A	DETAIL B
NOTICE THE DIRECTION OF THE DIAMOND SHAPE ON THE TRIGGER, HIS DISTANCE FROM THE SCREW INDICATES THE CONFIGURATION USED	

Armrest Catalogue
Armrests - T Type Receiver

ITEM NO.	PARTNO	DESCRIPTION	QTY.
1	9001312	Armrest - Receiver, Flip Back & T Type	2

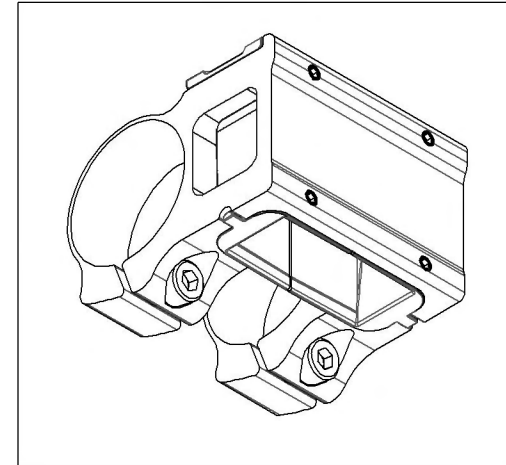
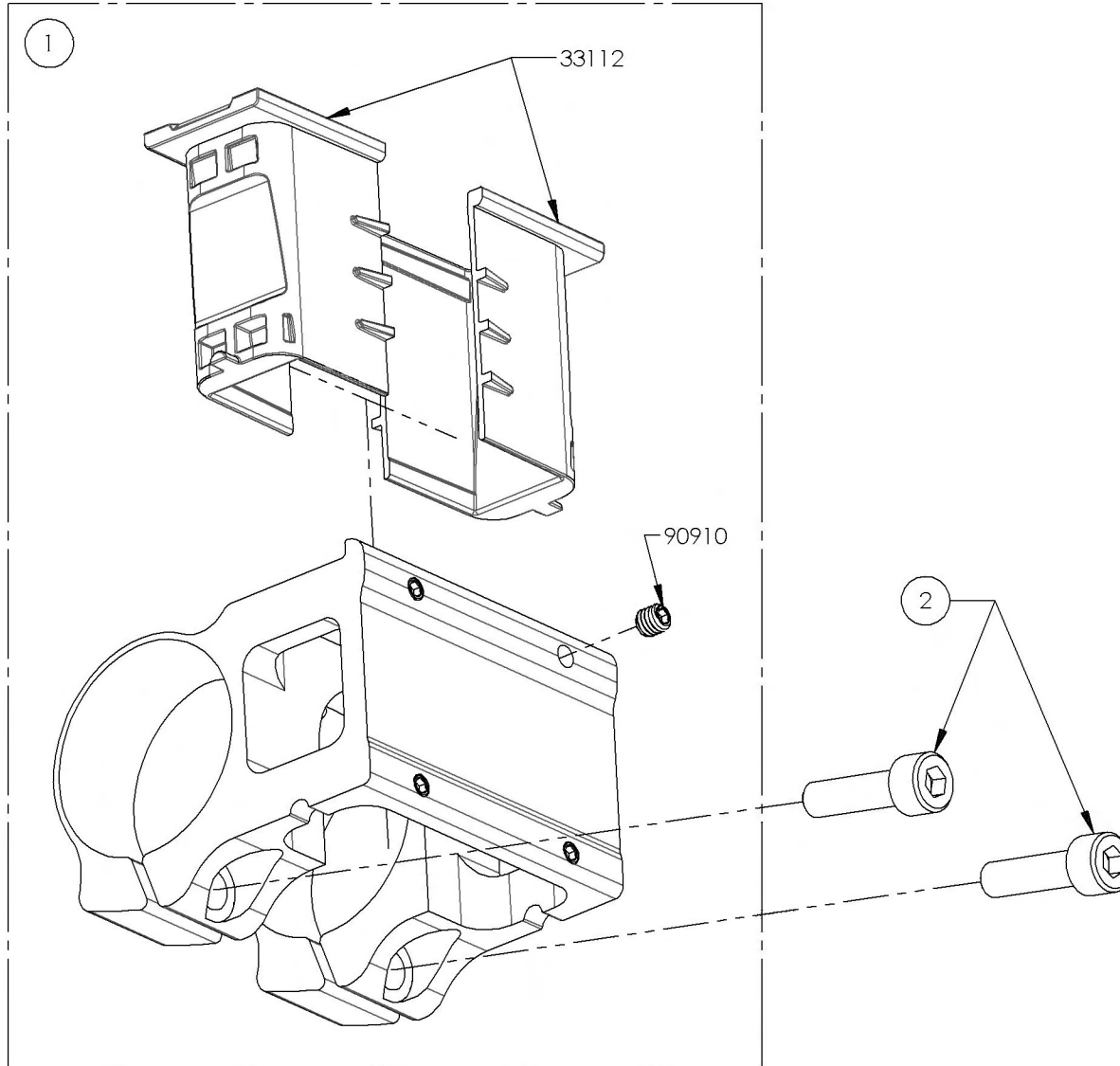


*.NOT AVAILABLE FOR MOVE WHEELCHAIRS

MAKE SURE TO HAVE YOUR SERIAL NUMBER
 NEARBY WHEN ORDERING PARTS FOR YOUR
 MOTION COMPOSITES WHEELCHAIR

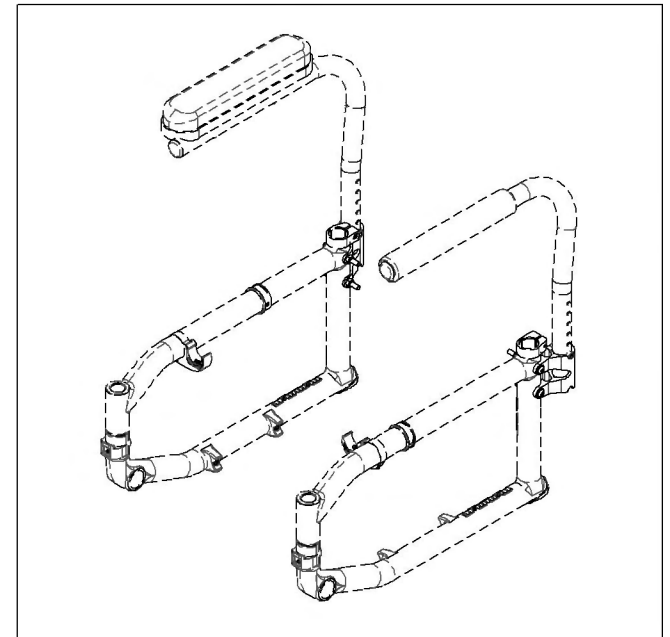
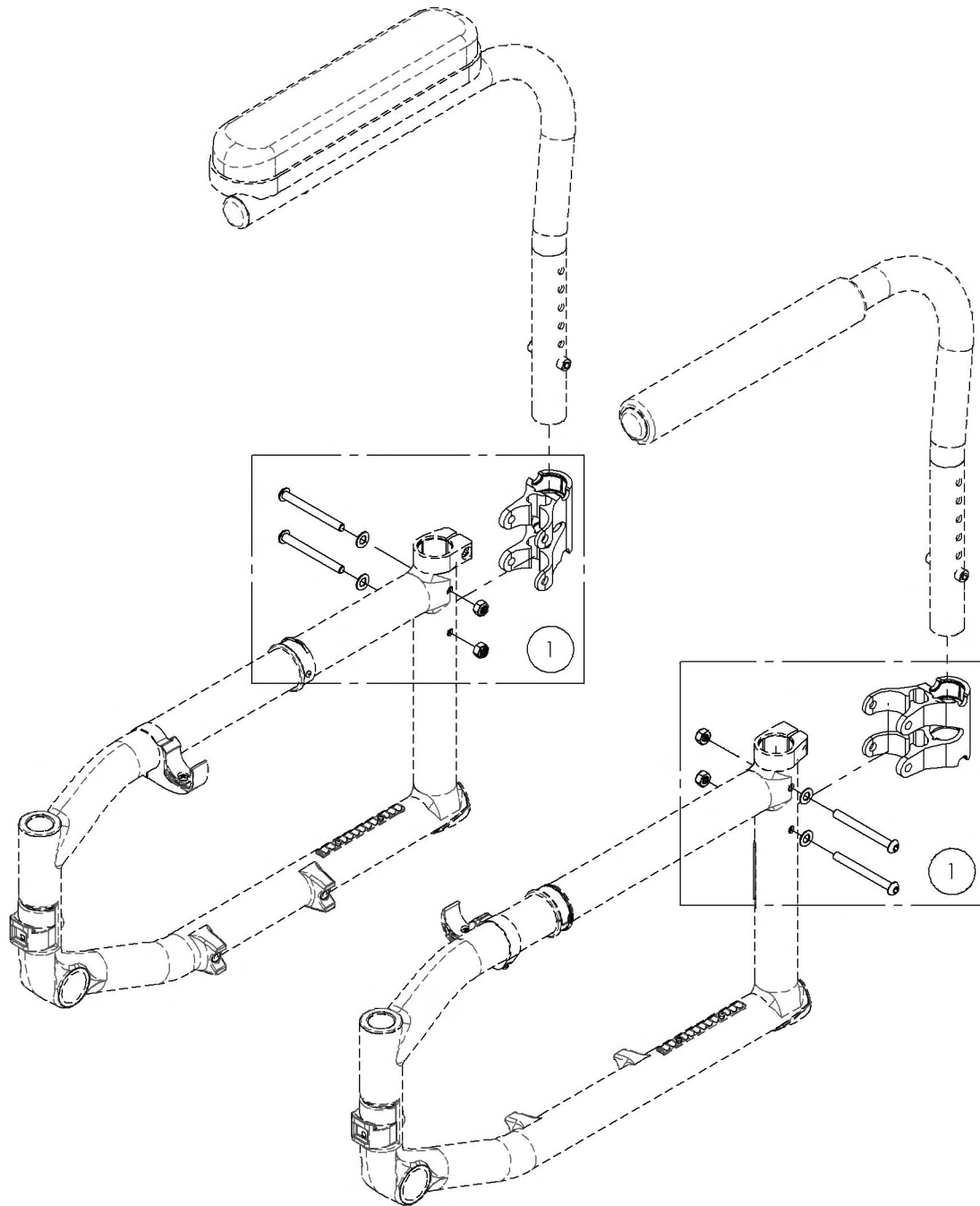
9001312
Armrest - Receiver, Flip Back & T Type

ITEM NO.	PARTNO	DESCRIPTION	9001312 /QTY.
1	33555	V2 ARMREST RECEIVER - ASSEMBLY	1
2	90748	SOCKET CAP SCREW M5X0.8 X 18mm LONG, FULLY THREADED	2



Armrest Catalogue
Armrests - Swing Away Receiver

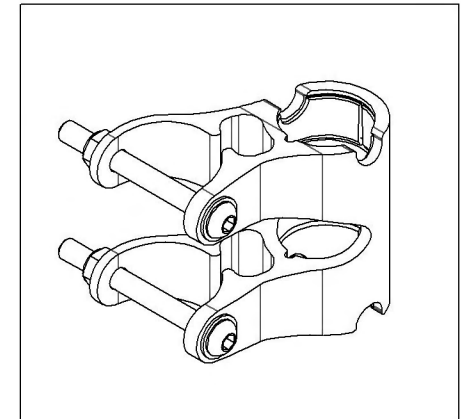
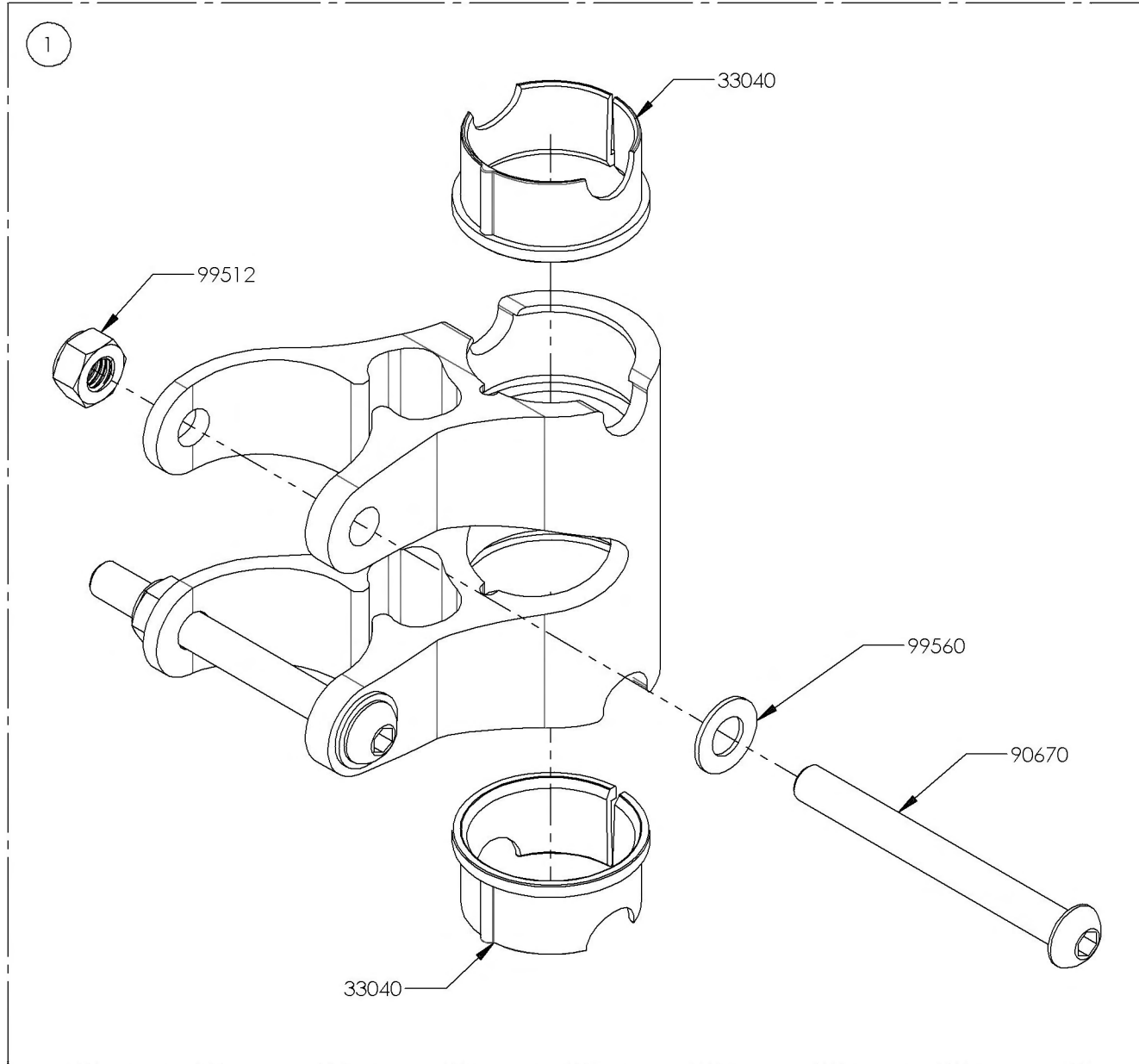
ITEM NO.	PARTNO	DESCRIPTION	QTY.
1	9001315	Armrest - Receiver, Swing Away	2



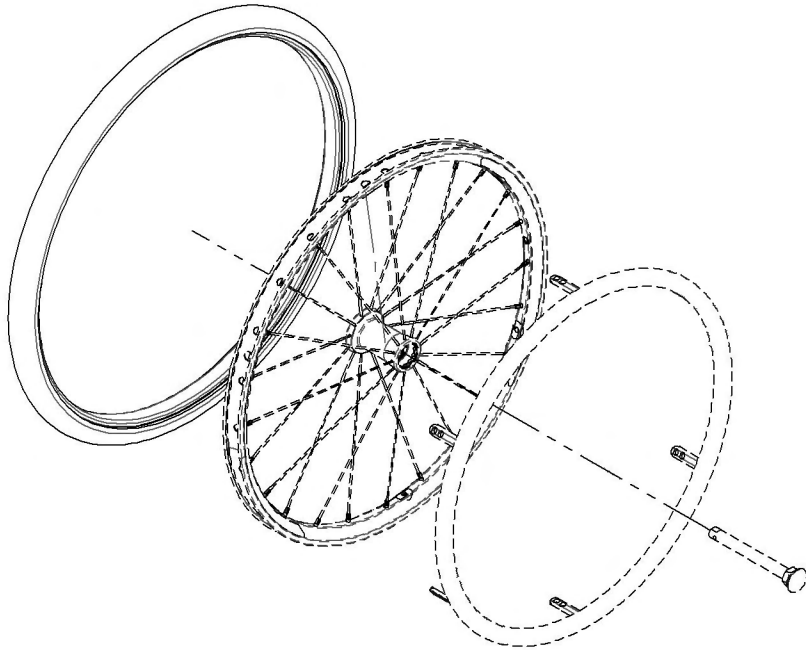
MAKE SURE TO HAVE YOUR SERIAL NUMBER
 NEARBY WHEN ORDERING PARTS FOR YOUR
 MOTION COMPOSITES WHEELCHAIR

9001315
Armrest - Receiver, Swing Away

ITEM NO.	PARTNO	DESCRIPTION	9001315 /QTY.
1	33538	L ARMREST HOUSING	1



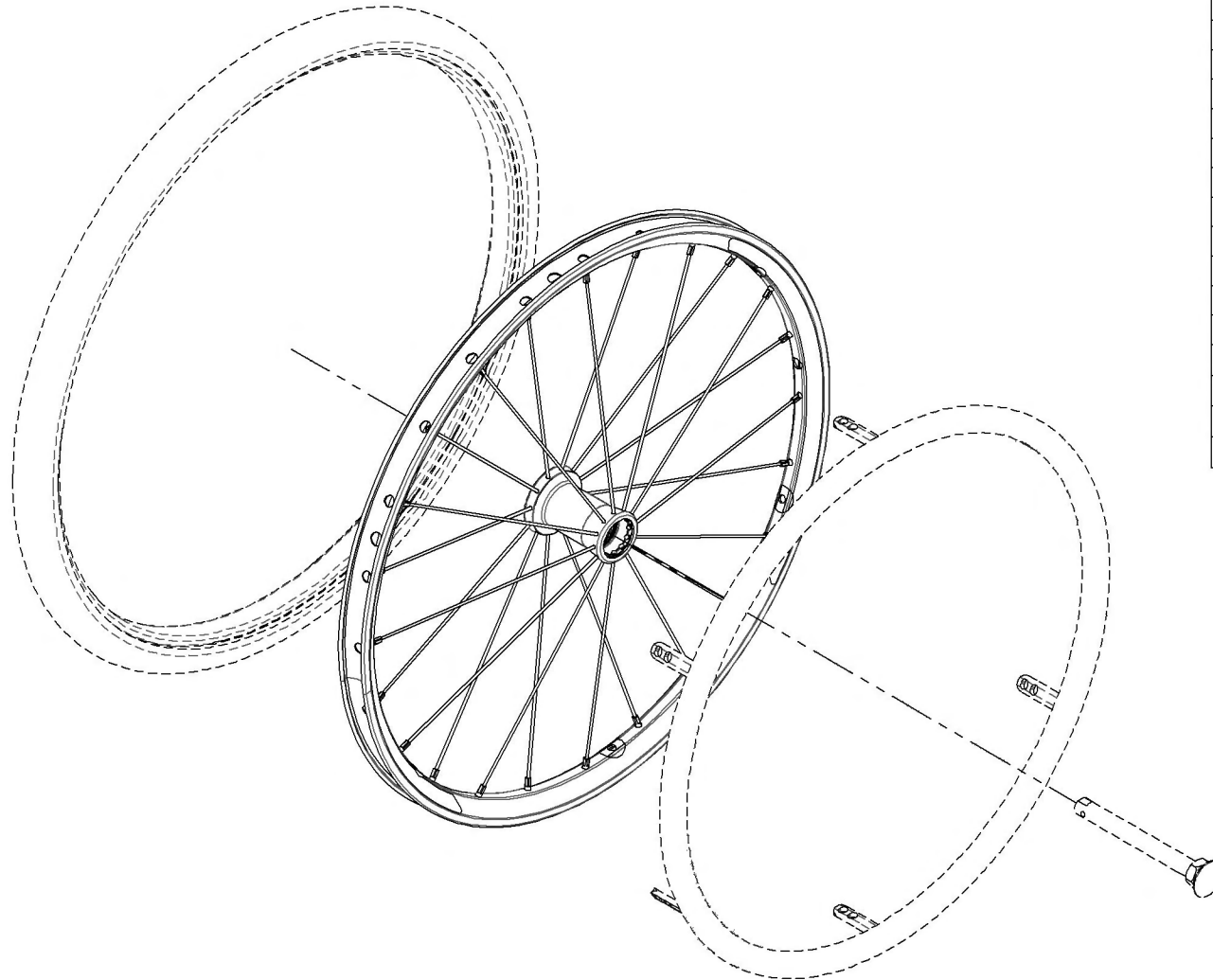
Rear Wheel Catalogue Tires



ITEM NO.	PARTNO	DESCRIPTION	QTY.	ITEM NO.	PARTNO	DESCRIPTION	QTY.
1	9001507	Tire - Soft Urethane, 1 3/8 x 20 in	1	14	9001520	Tire - Schwalbe Right Run HP, 1 x 25 in	1
2	9001508	Tire - Soft Urethane, 1 3/8 x 22 in	1		21308	IRONCAP/RIGHTRUN 1" HP TIRE 25"	1
3	9001509	Tire - Soft Urethane, 1 3/8 x 24 in	1		21253	25"x1" TUBE	1
4	9001510	Tire - Pneumatic, Standard Pressure, 1 3/8 x 20 in	1		21067	RIM TAPE 25"	1
	21255	20" x1 1/4" TUBE	1	15	9001521	Tire - Schwalbe Right Run HP, 1 x 26 in	1
	21065	RIM TAPE 20-22"	1		21309	IRONCAP/RIGHTRUN 1" HP TIRE 26"	1
	21315	20"x1 1/4" PNEUMATIC TIRE	1		21254	26"x1" TUBE	1
5	9001511	Tire - Pneumatic, Standard Pressure, 1 3/8 x 22 in	1		21068	RIM TAPE 26"	1
	21256	22" x1 1/4" TUBE	1	16	9001522	Tire - Kenda Kourier HP, 1 3/8 x 24 in	1
	21065	RIM TAPE 20-22"	1		21322	24"x1 1/4" KOURIER TIRE	1
	21316	22"x1 1/4" PNEUMATIC TIRE	1		21257	24" x1 1/4" TUBE	1
6	9001512	Tire - Pneumatic, Standard Pressure, 1 3/8 x 24 in	1		21066	RIM TAPE 24"	1
	21257	24" x1 1/4" TUBE	1	17	9001523	Tire - Kenda Kourier HP, 1 3/8 x 26 in	1
	21066	RIM TAPE 24"	1		21324	26"x1 1/4" KOURIER TIRE	1
	21317	24"x1 1/4" PNEUMATIC TIRE	1		21259	26" x1 1/4" TUBE	1
7	9001513	Tire - Pneumatic, Standard Pressure, 1 3/8 x 25 in	1		21068	RIM TAPE 26"	1
	21318	25"x1 1/4" PNEUMATIC TIRE	1	18	9001524	Tire - Soft Urethane HP, 1 x 22 in	1
	21253	25"x1" TUBE	1	19	9001525	Tire - Soft Urethane HP, 1 x 24 in	1
	21067	RIM TAPE 25"	1	20	9001526	Tire - Soft Urethane HP, 1 x 25 in	1
8	9001514	Tire - Pneumatic, Standard Pressure, 1 3/8 x 26 in	1	21	9001527	Tire - Soft Urethane HP, 1 x 26 in	1
	21319	26"x1 1/4" PNEUMATIC TIRE	1	22	9001528	Tire - Schwalbe Marathon Plus, 1 x 24 in	1
	21259	26" x1 1/4" TUBE	1		21312	24"x1" HP TIRE MARATHON PLUS	1
	21068	RIM TAPE 26"	1		21252	24"x1" TUBE	1
9	9001515	Tire - Pyramid, 1 x 22 in	1		21066	RIM TAPE 24"	1
10	9001516	Tire - Pyramid, 1 x 24 in	1	23	9001529	Tire - Schwalbe Marathon Plus, 1 x 25 in	1
11	9001517	Tire - Schwalbe Right Run HP, 1 x 20 in	1		21313	25"x1" HP TIRE MARATHON PLUS	1
	21250	20"x1" TUBE	1		21253	25"x1" TUBE	1
	21065	RIM TAPE 20-22"	1		21067	RIM TAPE 25"	1
	21305	IRONCAP/RIGHTRUN 1" HP TIRE 20"	1	24	9001530	Tire - Schwalbe Marathon Plus, 1 x 26 in	1
12	9001518	Tire - Schwalbe Right Run HP, 1 x 22 in	1		31314	26"x1" HP TIRE MARATHON PLUS	1
	21251	22"x1" TUBE	1		21254	26"x1" TUBE	1
	21065	RIM TAPE 20-22"	1		21068	RIM TAPE 26"	1
	21306	IRONCAP/RIGHTRUN 1" HP TIRE 22"	1	25	9002235	Tire - Soft Urethane, Knobby, 1 3/8 x 24 in	1
13	9001519	Tire - Schwalbe Right Run HP, 1 x 24 in	1				
	21307	IRONCAP/RIGHTRUN 1" HP TIRE 24"	1				
	21252	24"x1" TUBE	1				
	21066	RIM TAPE 24"	1				

MAKE SURE TO HAVE YOUR SERIAL NUMBER
NEARBY WHEN ORDERING PARTS FOR YOUR
MOTION COMPOSITES WHEELCHAIR

**Rear Wheel Catalogue
Rear Wheels**

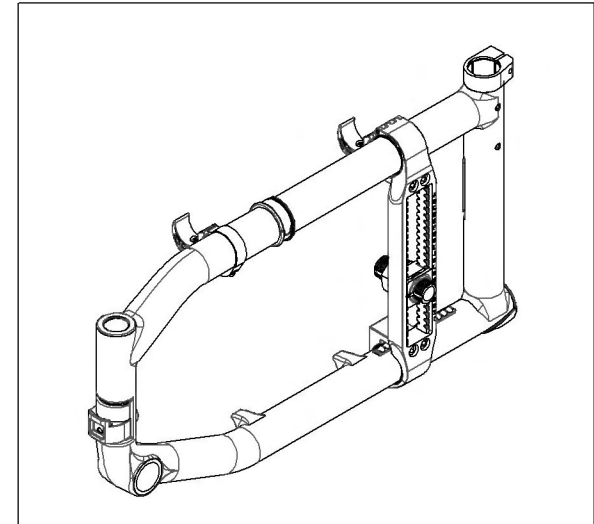
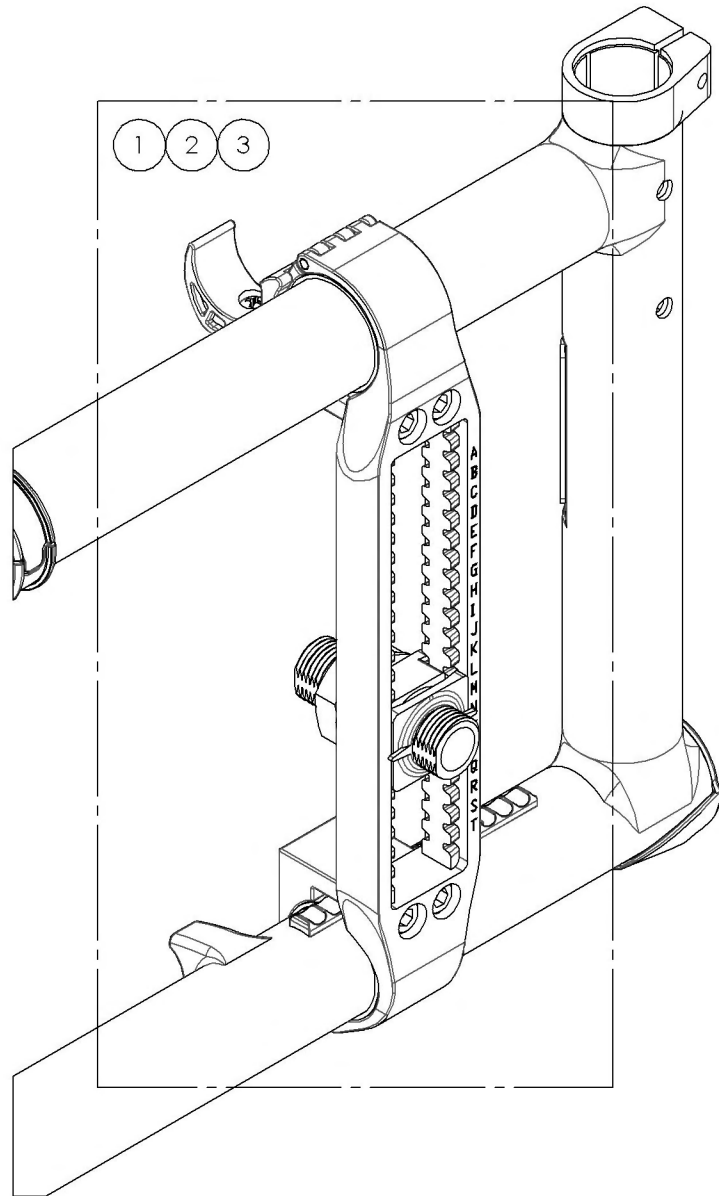


ITEM NO.	PARTNO	DESCRIPTION	QTY.
1	9001483	Rear Wheel - Mag, 20 in	1
2	9001484	Rear Wheel - Mag, 22 in	1
3	9001485	Rear Wheel - Mag, 24 in	1
4	9001486	Rear Wheel - Newton One, 22 in	1
5	9001487	Rear Wheel - Newton One, 24 in	1
6	9001488	Rear Wheel - Newton Gravity, 20 in	1
7	9001489	Rear Wheel - Newton Gravity, 22 in	1
8	9001490	Rear Wheel - Newton Gravity, 24 in	1
9	9001491	Rear Wheel - Newton Gravity, 25 in	1
10	9001492	Rear Wheel - Newton Gravity, 26 in	1
11	9001494	Rear Wheel - Spinerger Spox, 22 in	1
12	9001495	Rear Wheel - Spinerger Spox, 24 in	1
13	9001496	Rear Wheel - Spinerger Spox, 25 in	1
14	9001497	Rear Wheel - Spinerger Spox, 26 in	1
15	9001498	Rear Wheel - Spinerger LX, 22 in	1
16	9001499	Rear Wheel - Spinerger LX, 24 in	1
17	9001500	Rear Wheel - Spinerger LX, 25 in	1
18	9001501	Rear Wheel - Spinerger LX, 26 in	1
19	9001503	Rear Wheel - Spinerger LX, 22 in (Specify Color)	1
20	9001504	Rear Wheel - Spinerger LX, 24 in (Specify Color)	1
21	9001505	Rear Wheel - Spinerger LX, 25 in (Specify Color)	1
22	9001506	Rear Wheel - Spinerger LX, 26 in (Specify Color)	1

MAKE SURE TO HAVE YOUR SERIAL NUMBER
NEARBY WHEN ORDERING PARTS FOR YOUR
MOTION COMPOSITES WHEELCHAIR

Rear Wheel Catalogue
Multi-Position Rear Wheel Mounting Plates

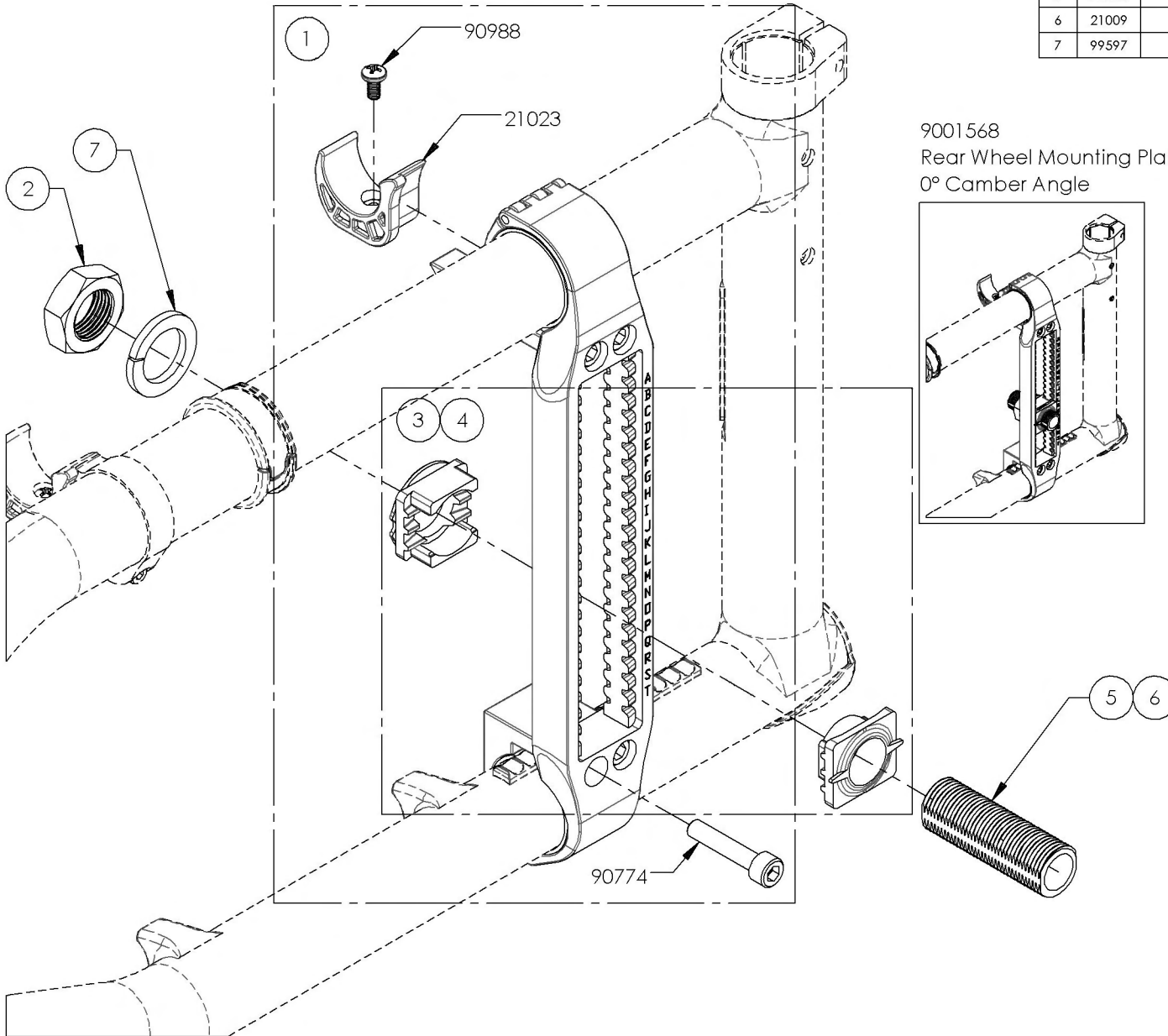
ITEM NO.	PARTNO	DESCRIPTION	QTY.
1	9001568	Rear Wheel Mounting Plate - 0° Camber Angle	1
2	9001569	Rear Wheel Mounting Plate - 3° Camber Angle	1
3	9001570	Rear Wheel Mounting Plate - 6° Camber Angle	1



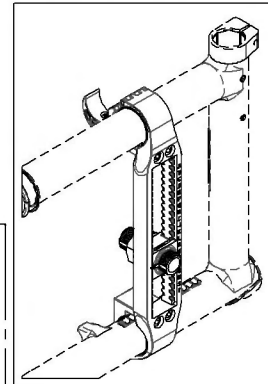
MAKE SURE TO HAVE YOUR SERIAL NUMBER
 NEARBY WHEN ORDERING PARTS FOR YOUR
 MOTION COMPOSITES WHEELCHAIR

9001568_9001570
Rear Wheel Mounting Plate

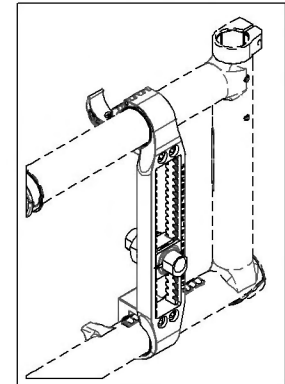
ITEM NO.	PARTNO	DESCRIPTION	9001568 /QTY.	9001569 /QTY.	9001570 /QTY.
1	21506	COMPLETE MOUNTING ASSEMBLED	1	1	1
2	99536	NUT M18X1.5	1	1	1
3	21508	ASSY 0 DEG PLATES	1	1	-
4	21507	ASSY 3DEG PLATES	-	-	1
5	21008	0° BUSHING M18x1.5	1	-	-
6	21009	3° BUSHING M18x1.5	-	1	1
7	99597	LOCK WASHER M18 X 1.5	1	1	1



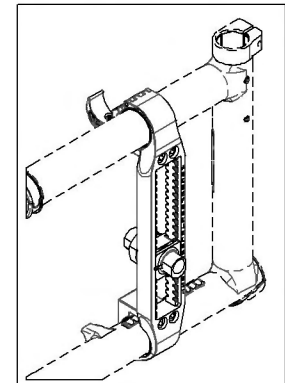
9001568
 Rear Wheel Mounting Plate -
 0° Camber Angle



9001569
 Rear Wheel Mounting Plate -
 3° Camber Angle

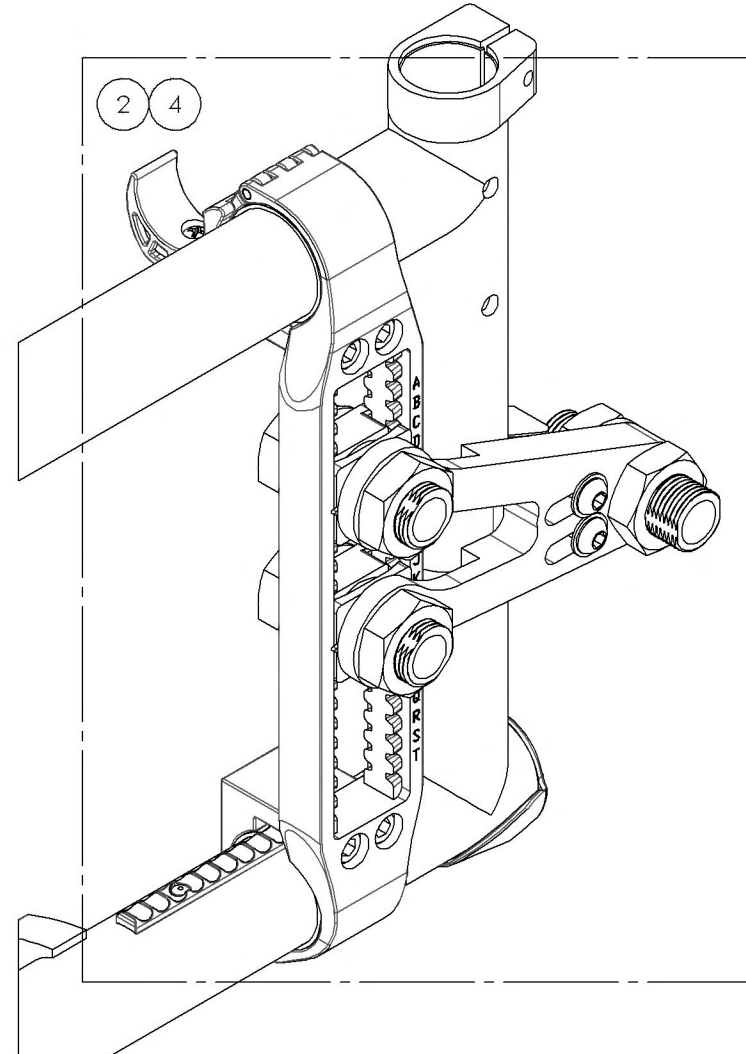
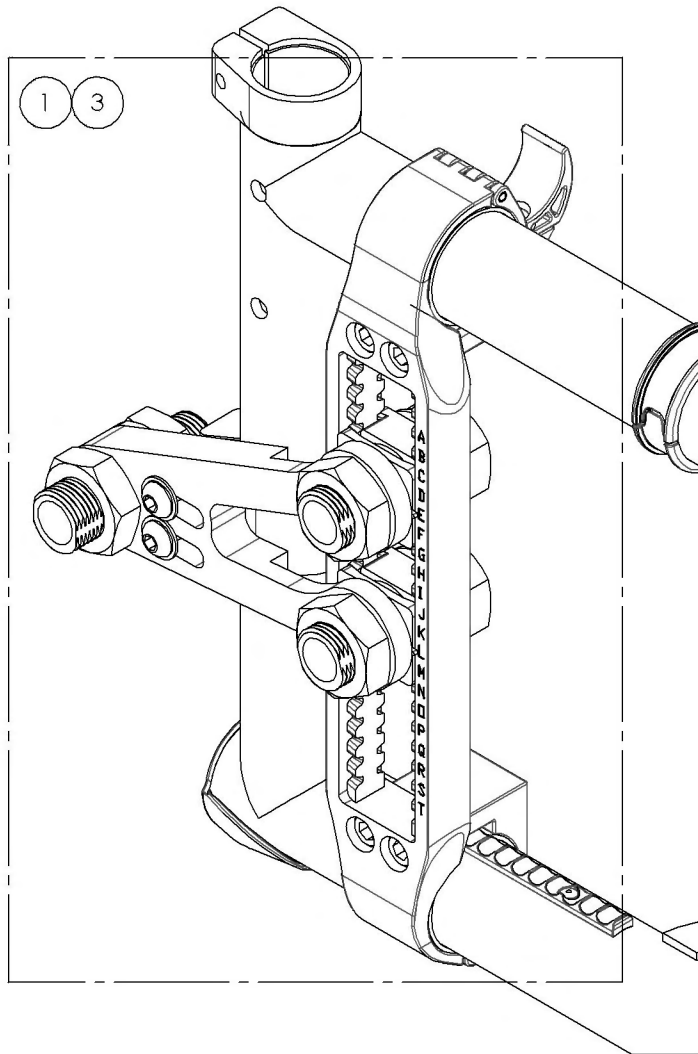


9001570
 Rear Wheel Mounting Plate -
 6° Camber Angle



Rear Wheel Catalogue
Amputee Adjustable Axle Plates for Multi-Position Rear Wheel Mounting Plate

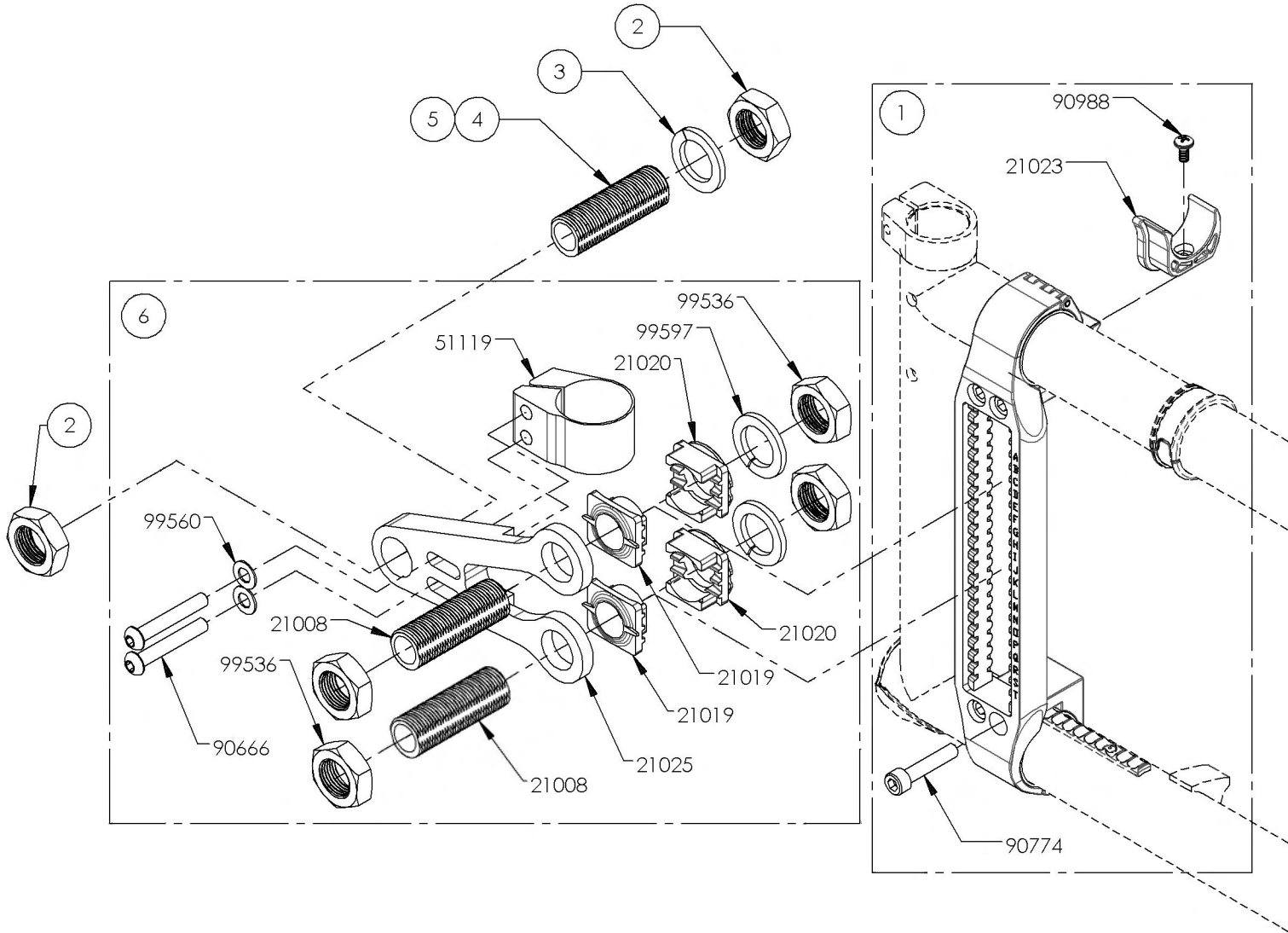
ITEM NO.	PARTNO	DESCRIPTION	QTY.
1	9001564	Amputee Axle Plate - Adjustable, Right, 0° Camber	1
2	9001566	Amputee Axle Plate - Adjustable, Left, 0° Camber	1
3	9001565	Amputee Axle Plate - Adjustable, Right, 3° Camber	1
4	9001567	Amputee Axle Plate - Adjustable, Left, 3° Camber	1



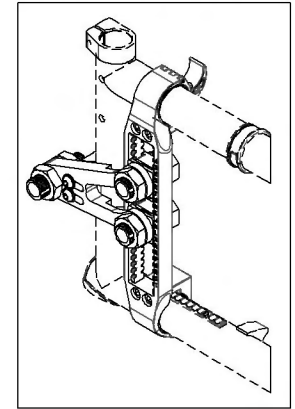
MAKE SURE TO HAVE YOUR SERIAL NUMBER
 NEARBY WHEN ORDERING PARTS FOR YOUR
 MOTION COMPOSITES WHEELCHAIR

9001564_9001565
Amputee Axle Plate - Adjustable, Right

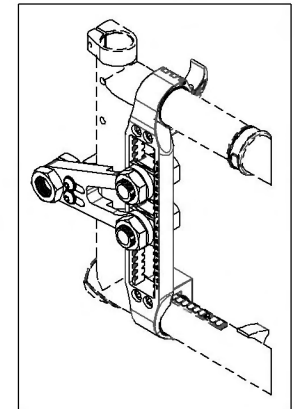
ITEM NO.	PARTNO	DESCRIPTION	9001564 /QTY.	9001565 /QTY.
1	21506	COMPLETE MOUNTING ASSEMBLED	1	1
2	99536	NUT M18X1.5	2	2
3	99597	LOCK WASHER M18 X 1.5	1	1
4	21008	0° BUSHING M18x1.5	1	-
5	21009	3° BUSHING M18x1.5	-	1
6	21713	AMPUTE KIT V2 RIGHT - ASSEMBLY	1	1



9001564
 Amputee Axle Plate -
 Adjustable, Right, 0° Camber

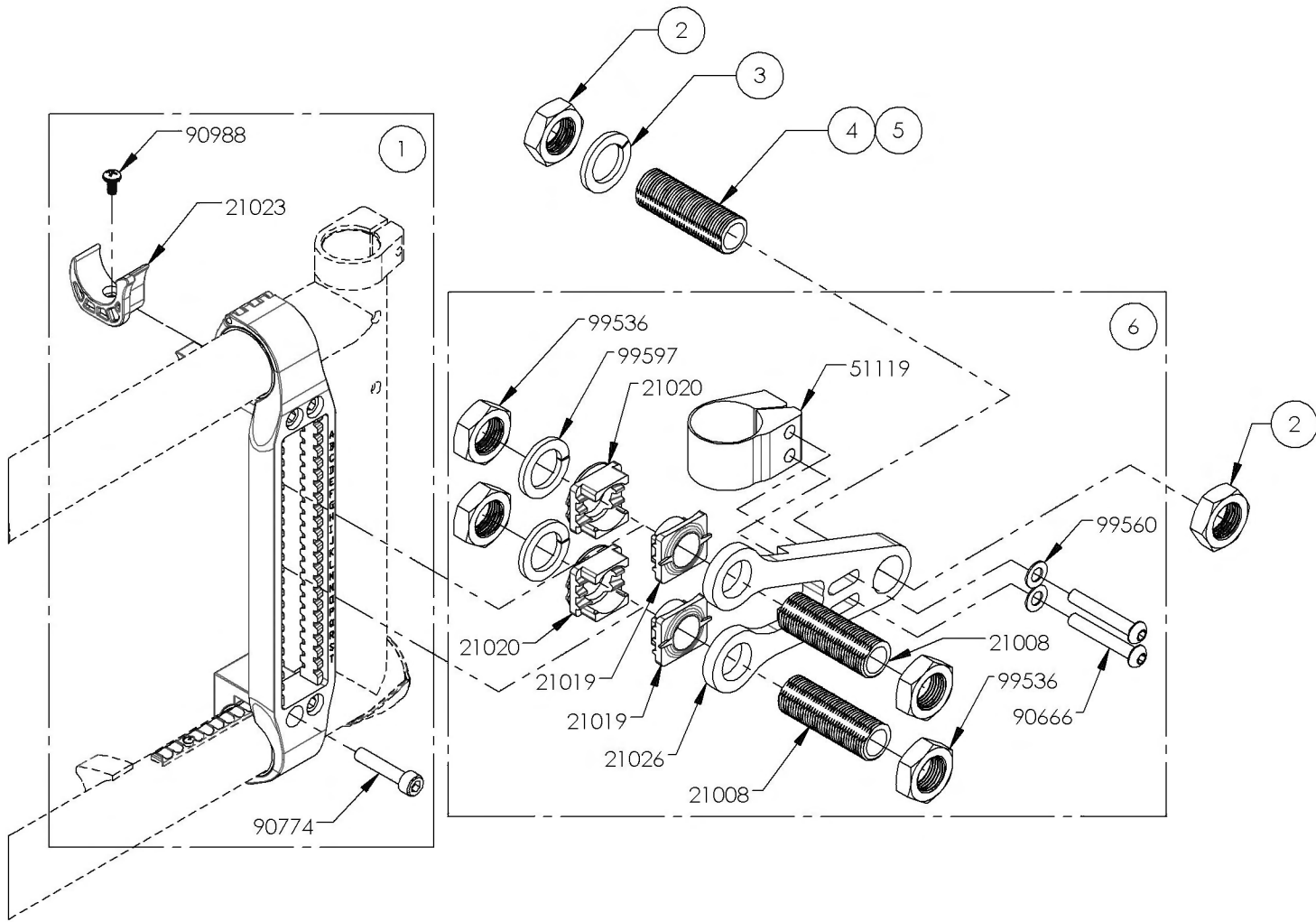


9001565
 Amputee Axle Plate -
 Adjustable, Right, 3° Camber

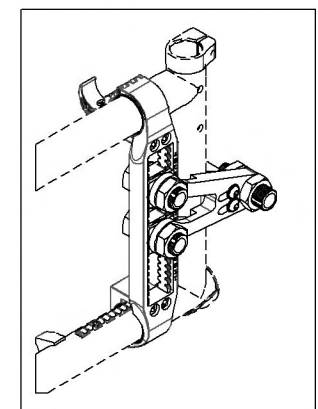


9001566_9001567
Amputee Axle Plate - Adjustable, Left

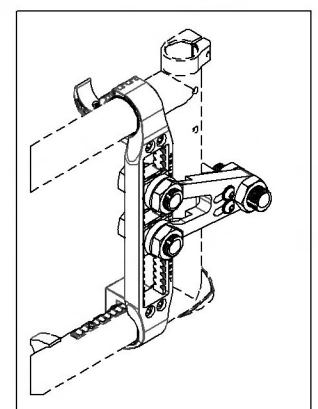
ITEM NO.	PARTNO	DESCRIPTION	9001566 /QTY.	9001567 /QTY.
1	21506	COMPLETE MOUNTING ASSEMBLED	1	1
2	99536	NUT M18X1.5	2	2
3	99597	LOCK WASHER M18 X 1.5	1	1
4	21008	0° BUSHING M18x1.5	1	-
5	21009	3° BUSHING M18x1.5	-	1
6	21714	AMPUTE KIT V2 LEFT - ASSEMBLY	1	1



9001566
 Amputee Axle Plate -
 Adjustable, Left, 0° Camber

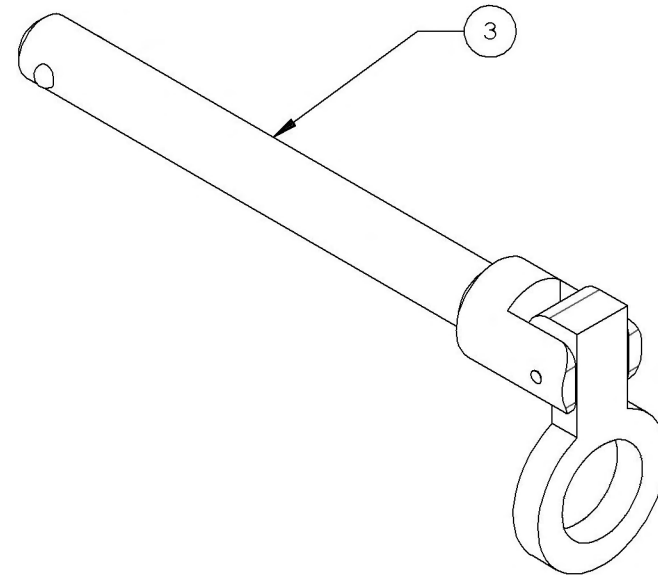
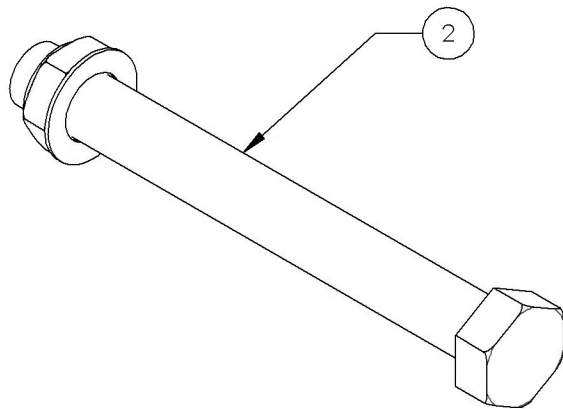
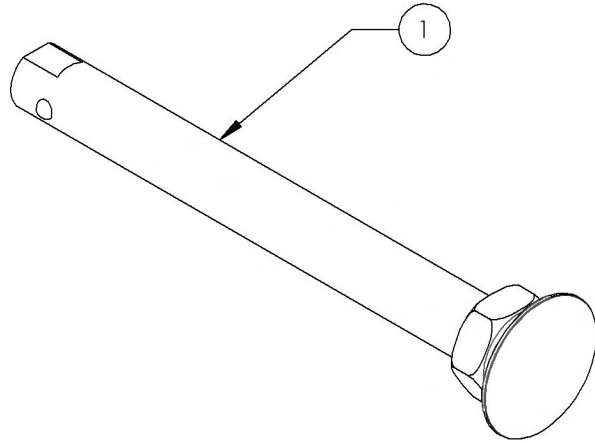


9001567
 Amputee Axle Plate -
 Adjustable, Left, 3° Camber



Rear Wheel Catalogue
Quick Release & Permanent Axles

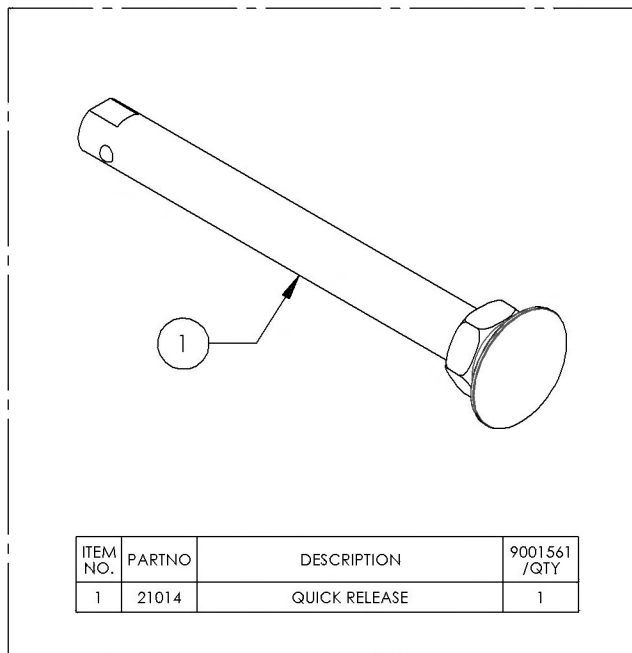
ITEM NO.	PARTNO	DESCRIPTION	QTY.
1	9001561	QUICK RELEASE AXLE	1
2	9001562	PERMANENT AXLE	1
3	9001563	QUAD RELEASE AXLE	1



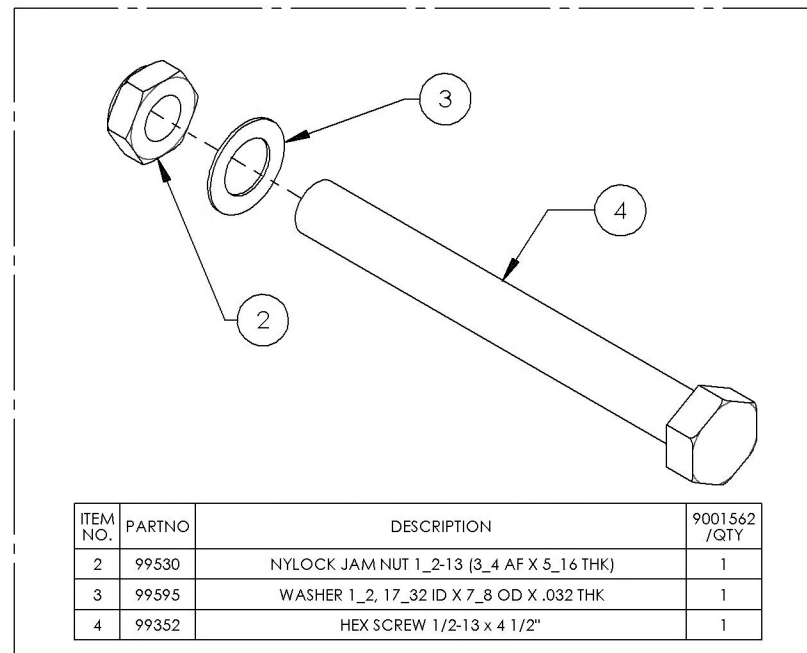
MAKE SURE TO HAVE YOUR SERIAL NUMBER
NEARBY WHEN ORDERING PARTS FOR YOUR
MOTION COMPOSITES WHEELCHAIR

9001561_9001563
Wheel Axle

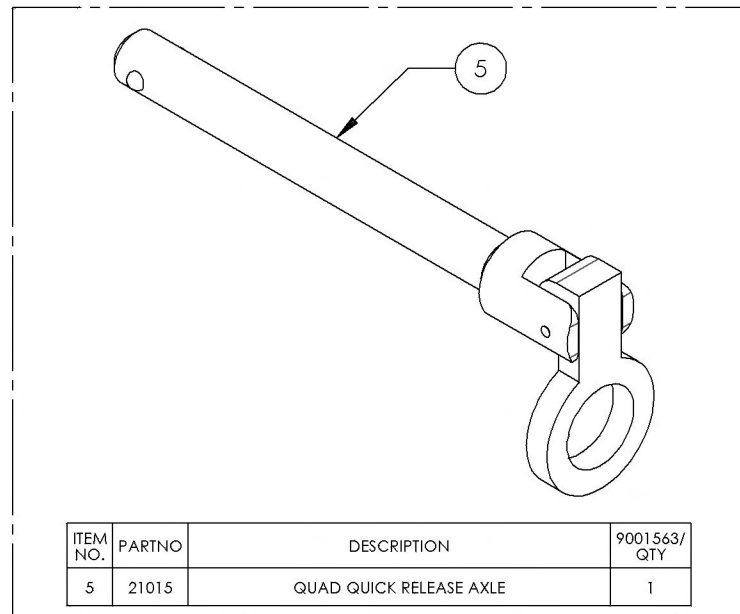
9001561 - Wheel Axle - Quick Release



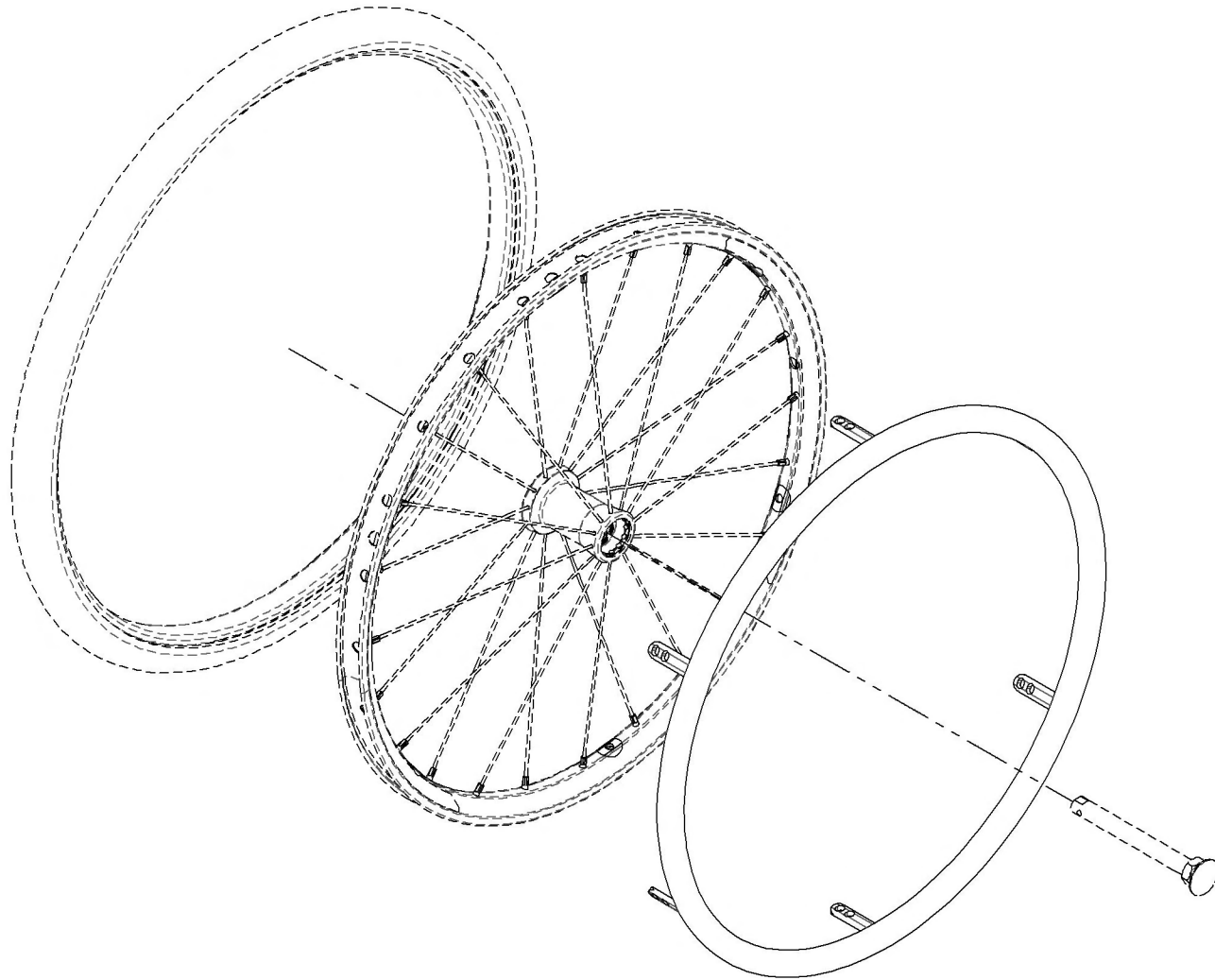
9001562 - Wheel Axle - Permanent



9001563 - Wheel Axle - Quad Release



**Rear Wheel Catalogue
Handrims**

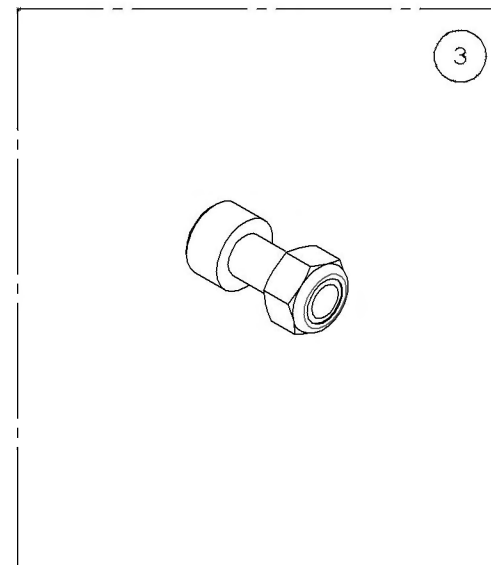
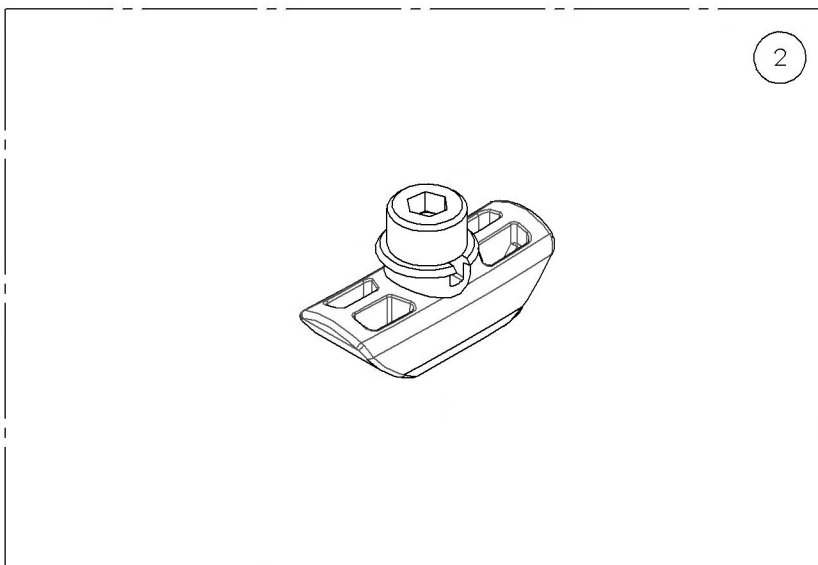
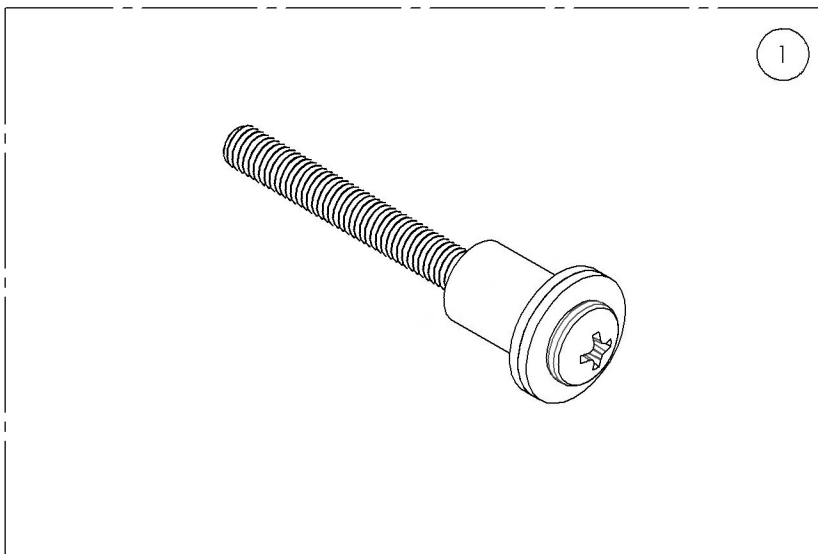


ITEM NO.	PARTNO	DESCRIPTION	QTY.
1	9001531	Handrim For Mag - Anodized Aluminum, 20 in	1
2	9001532	Handrim For Mag - Anodized Aluminum, 22 in	1
3	9001533	Handrim For Mag - Anodized Aluminum, 24 in	1
4	9001534	Handrim For Mag - Plastic Coated, 20 in	1
5	9001535	Handrim For Mag - Plastic Coated, 22 in	1
6	9001536	Handrim For Mag - Plastic Coated, 24 in	1
7	9001537	Handrim - Anodized Aluminum, 20 in	1
8	9001538	Handrim - Anodized Aluminum, 22 in	1
9	9001539	Handrim - Anodized Aluminum, 24 in	1
10	9001540	Handrim - Anodized Aluminum, 25 in	1
11	9001541	Handrim - Anodized Aluminum, 26 in	1
12	9001542	Handrim - Plastic Coated, 20 in	1
13	9001543	Handrim - Plastic Coated, 22 in	1
14	9001544	Handrim - Plastic Coated, 24 in	1
15	9001545	Handrim - Plastic Coated, 25 in	1
16	9001546	Handrim - Plastic Coated, 26 in	1
17	9001548	Handrim - High Friction Coated Foam, 22 in	1
18	9001549	Handrim - High Friction Coated Foam, 24 in	1
19	9001550	Handrim - High Friction Coated Foam, 25 in	1
20	9001551	Handrim - High Friction Coated Foam, 26 in	1
21	9001552	Handrim - Natural Fit, Regular Grip, 22 in	1
22	9001553	Handrim - Natural Fit, Regular Grip, 24 in	1
23	9001554	Handrim - Natural Fit, Regular Grip, 26 in	1
24	9001555	Handrim - Surge LT, 22 in	1
25	9001556	Handrim - Surge LT, 24 in	1
26	9002209	Handrim - Surge, Regular Grip, 22 in	1
27	9002210	Handrim - Surge, Regular Grip, 24 in	1
28	9002211	Handrim - Surge, Regular Grip, 25 in	1
29	9002212	Handrim - Surge, Regular Grip, 26 in	1

MAKE SURE TO HAVE YOUR SERIAL NUMBER
NEARBY WHEN ORDERING PARTS FOR YOUR
MOTION COMPOSITES WHEELCHAIR

Rear Wheel Catalogue Handrim Hardware

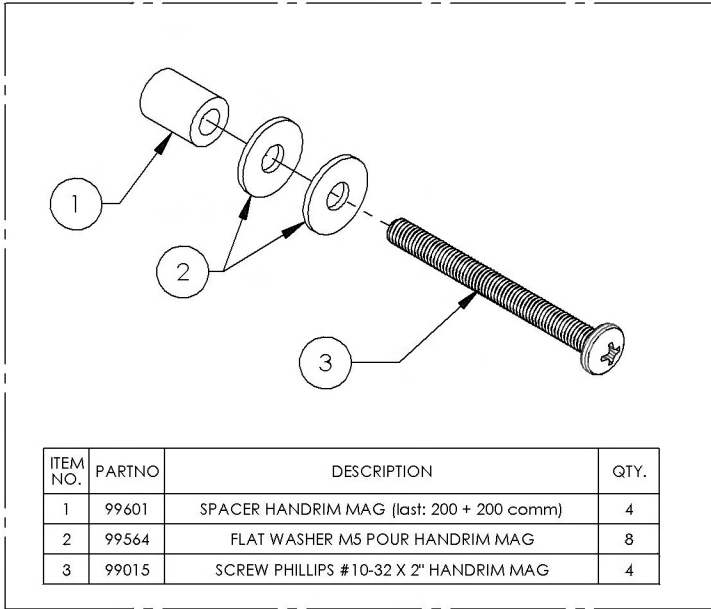
ITEM NO.	PARTNO	DESCRIPTION	QTY.
1	9001558	Handrim - Installation Hardware For Mag	1
2	9001559	Handrim - Installation Hardware For Newton One	1
3	9001560	Handrim - Installation Hardware For Newton Gravity, Spinergy LX, Spinergy SPOX	1



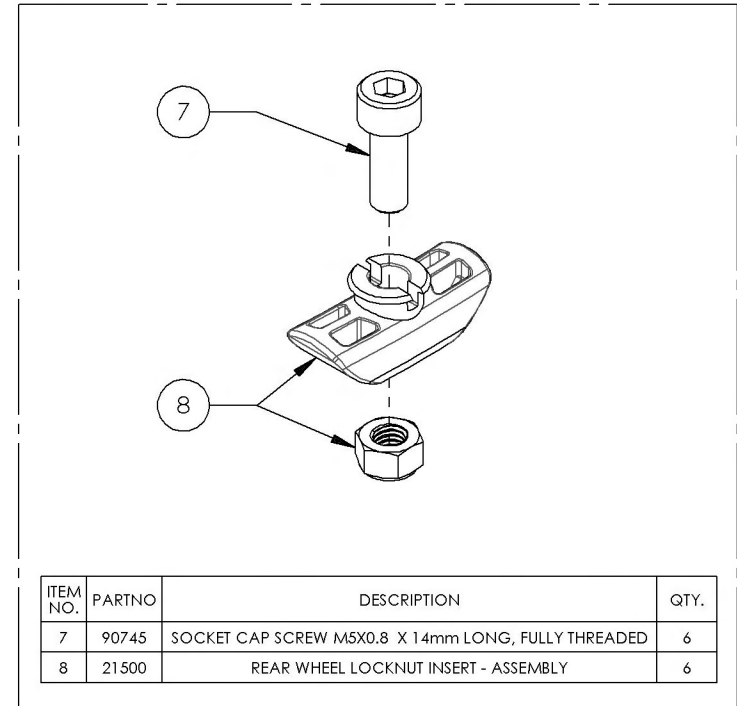
MAKE SURE TO HAVE YOUR SERIAL NUMBER
NEARBY WHEN ORDERING PARTS FOR YOUR
MOTION COMPOSITES WHEELCHAIR

9001558_9001560
Handrim - Installation Hardware

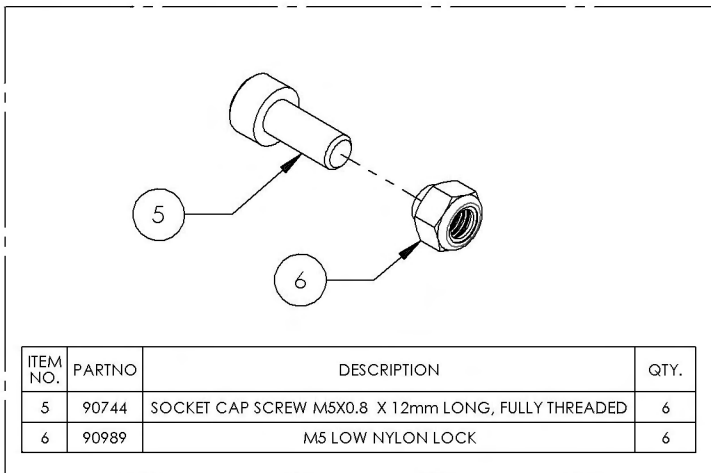
9001558
 Handrim - Installation Hardware For Mag



9001559
 Handrim - Installation Hardware For Newton One

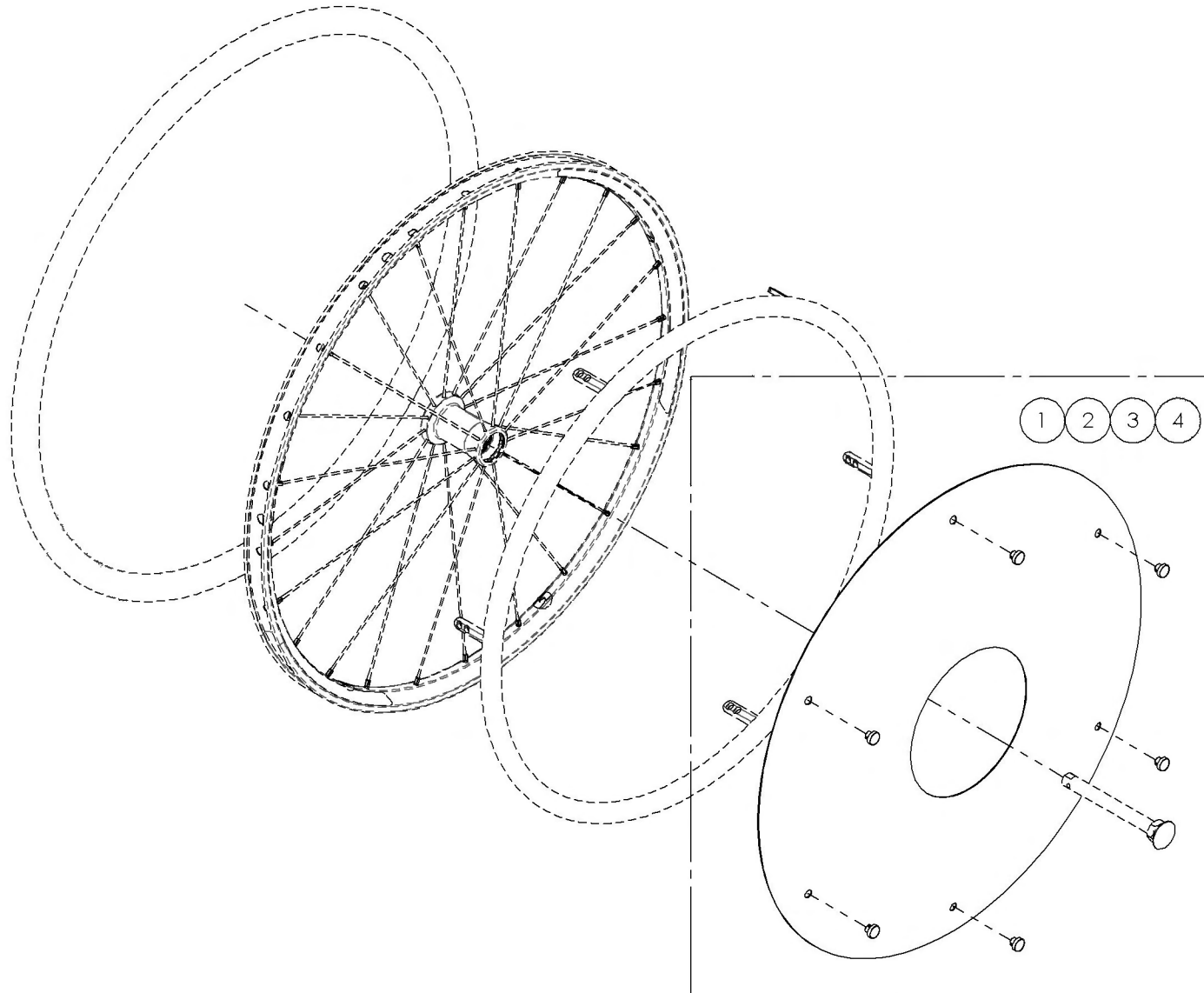


9001560
 Handrim - Installation Hardware For Newton Gravity,
 Spinergy LX, Spinergy SPOX



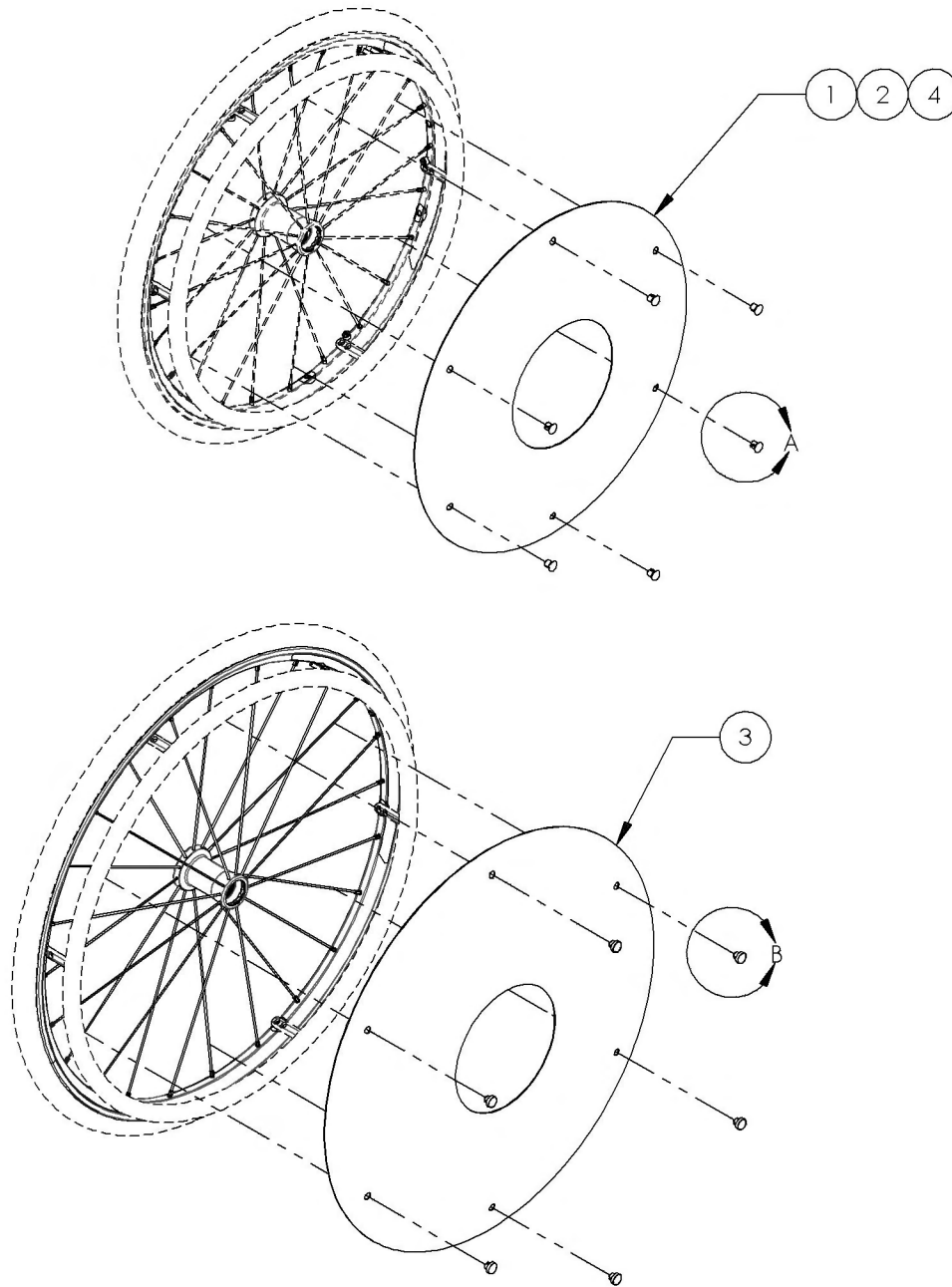
**Rear Wheel Catalogue
Spoke Guards**

ITEM NO.	PARTNO	DESCRIPTION	QTY.
1	9001629	Spoke Guard - 20 in	1
2	9001630	Spoke Guard - 22 in	1
3	9001631	Spoke Guard - 24 in	1
4	9001632	Spoke Guard - 26 in	1

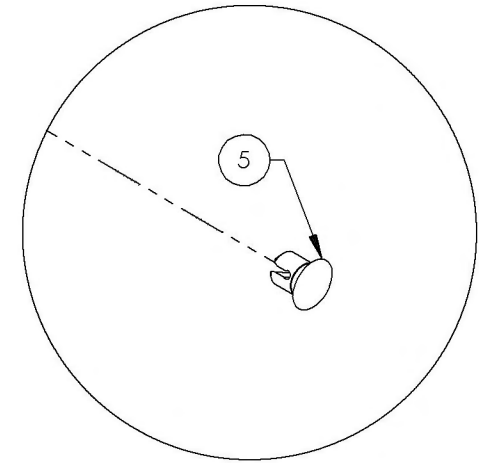


MAKE SURE TO HAVE YOUR SERIAL NUMBER
NEARBY WHEN ORDERING PARTS FOR YOUR
MOTION COMPOSITES WHEELCHAIR

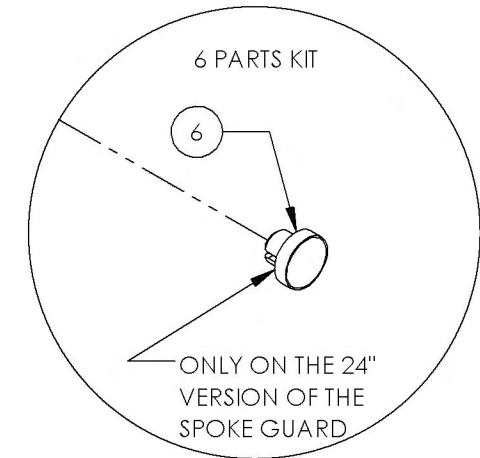
9001629_9001632
Spoke Guard



ITEM NO.	PARTNO	DESCRIPTION	9001629 /QTY.	9001630 /QTY.	9001631 /QTY.	9001632 /QTY.
1	51019	SPOKE GUARD 20"	1	-	-	-
2	51020	SPOKE GUARD 22"	-	1	-	-
3	51021	SPOKE GUARD 24"	-	-	1	-
4	51025	SPOKE GUARD 26"	-	-	-	1
5	51034	SPOKE SHIELD CLIP	6	6	-	6
6	51522	SPOKE SHIELD CLIP - KIT (6 UNIT)	-	-	1	-



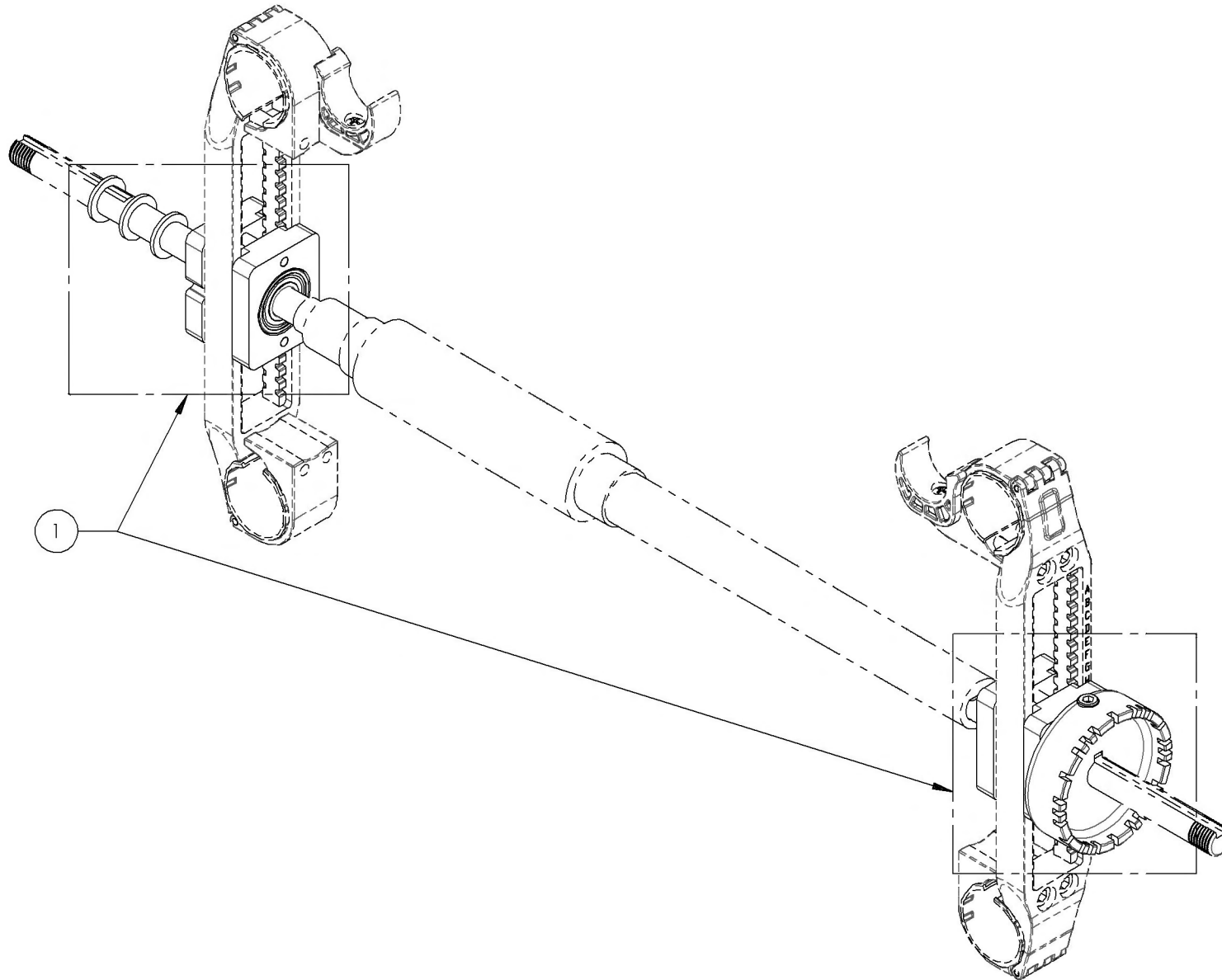
DETAIL A
SCALE 5 : 8



DETAIL B
SCALE 5 : 8

Rear Wheel Catalogue
One Arm Drive

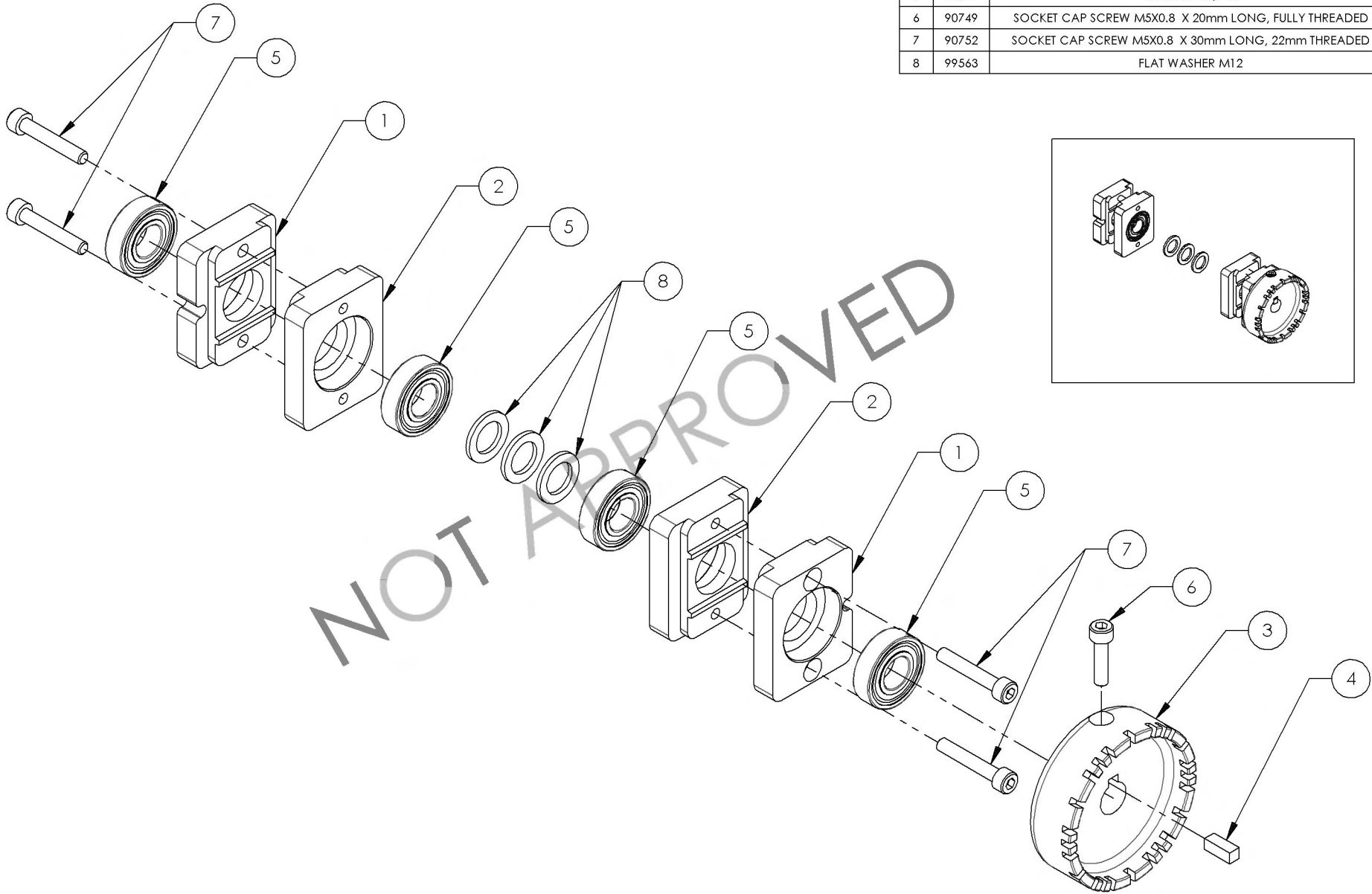
ITEM NO.	PARTNO	DESCRIPTION	QTY.
1	9002262	One Arm Drive - Adaptor Kit	1



MAKE SURE TO HAVE YOUR SERIAL NUMBER
NEARBY WHEN ORDERING PARTS FOR YOUR
MOTION COMPOSITES WHEELCHAIR

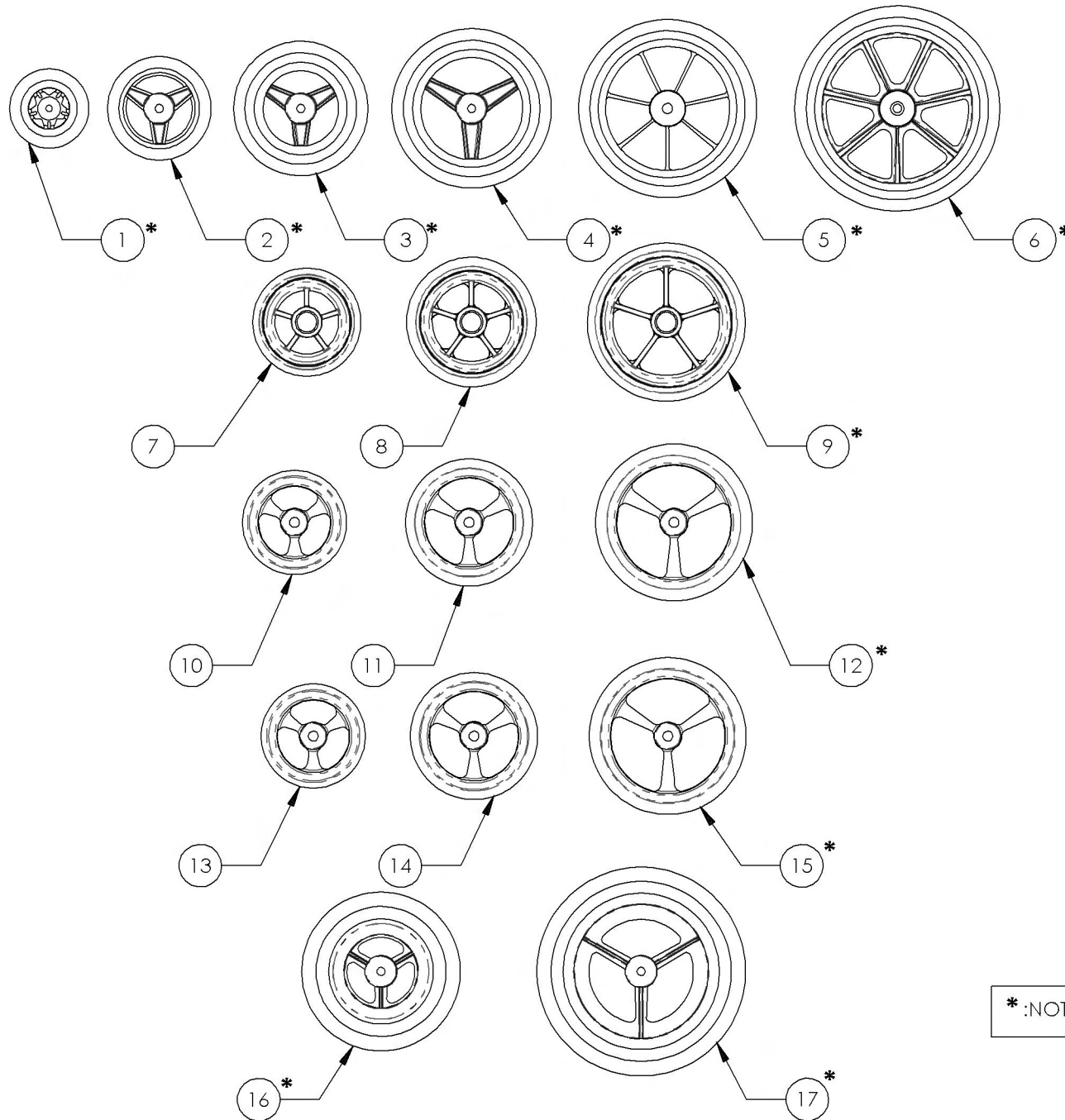
9002262
One Arm Drive - Adaptor Kit

ITEM NO.	PARTNO	DESCRIPTION	QTY.
1	51244	ONE ARM DRIVE - EXTERIOR BEARING CASING	2
2	51245	ONE ARM DRIVE - INTERIOR BEARING CASING	2
3	51246	ONE ARM DRIVE - INDENTED DISK	1
4	51248	ONE ARM DRIVE - KEY STOCK	1
5	22011	BEARING R8/2RS	4
6	90749	SOCKET CAP SCREW M5X0.8 X 20mm LONG, FULLY THREADED	1
7	90752	SOCKET CAP SCREW M5X0.8 X 30mm LONG, 22mm THREADED	4
8	99563	FLAT WASHER M12	3



NOT APPROVED

Front Wheel Catalogue
Front Caster Wheels



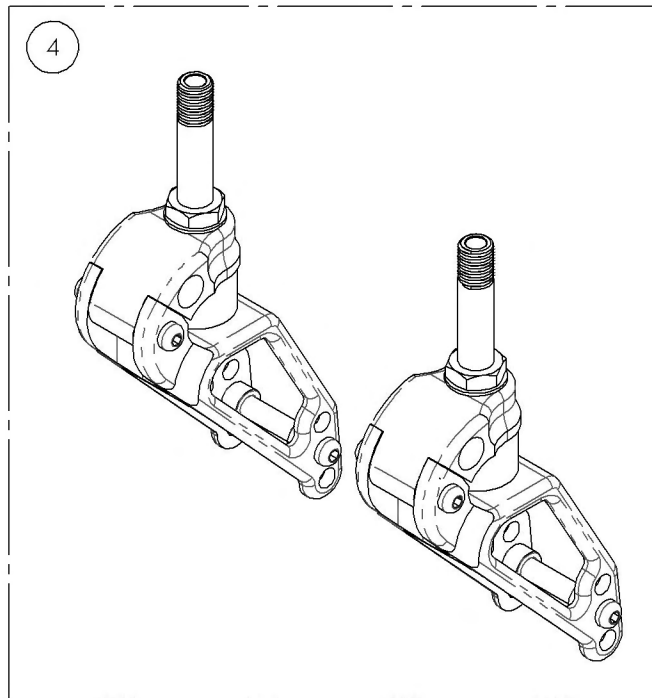
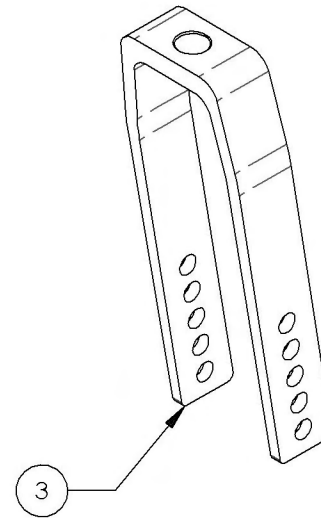
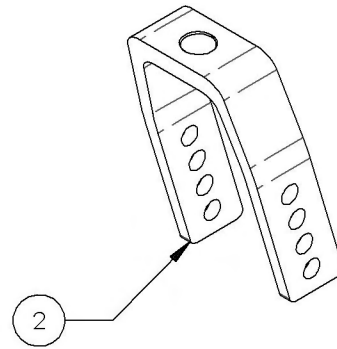
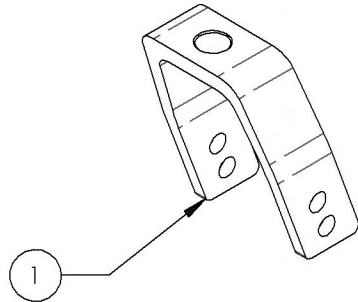
ITEM NO.	PARTNO	DESCRIPTION	QTY.
1	9001457	Caster - Composites, 3x1 in	1
2	9001458	Caster - Composites, 4x1 in	1
3	9001459	Caster - Composites, 5x1 in	1
4	9001460	Caster - Composites, 6x1 in	1
5	9001461	Caster - Composites, 7x1 in	1
6	9001462	Caster - Composites, 8x1 in	1
7	9001463	Caster - Composites Soft-Roll, 4x1½ in	1
8	9001464	Caster - Composites Soft-Roll, 5x1½ in	1
9	9001465	Caster - Composites Soft-Roll, 6x1½ in	1
10	9001466	Caster - Court Wheel Aluminum, 4x1 in	1
11	9001467	Caster - Court Wheel Aluminum, 5x1 in	1
12	9001468	Caster - Court Wheel Aluminum, 6x1 in	1
13	9002213	Caster - Aluminum Soft-Roll, 4x1½ in	1
14	9002214	Caster - Aluminum Soft-Roll, 5x1½ in	1
15	9002215	Caster - Aluminum Soft-Roll, 6x1½ in	1
16	9001469	Caster - Pneumatic, 6x1¼ in	1
17	9001470	Caster - Pneumatic, 8x1¼ in	1

* :NOT AVAILABLE ON VELOCE WHEELCHAIRS

MAKE SURE TO HAVE YOUR SERIAL NUMBER
NEARBY WHEN ORDERING PARTS FOR YOUR
MOTION COMPOSITES WHEELCHAIR

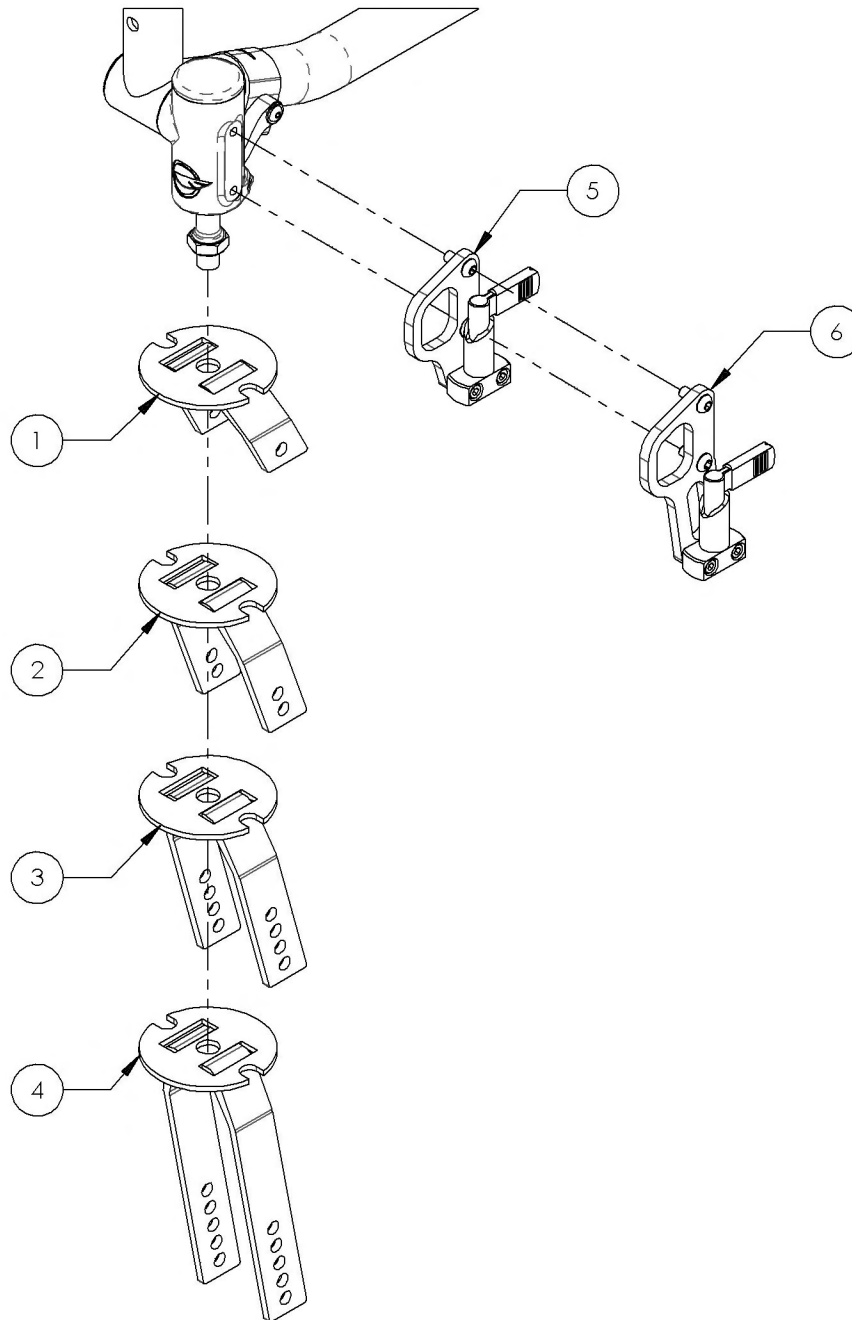
**Front Wheel Catalogue
Forks**

ITEM NO.	PARTNO	DESCRIPTION	QTY
1	9001450	Fork - 4 in	1
2	9001451	Fork - 5 in	1
3	9001452	Fork - 7 in	1
4	9001449	Suspension Fork - Frog Leg	1

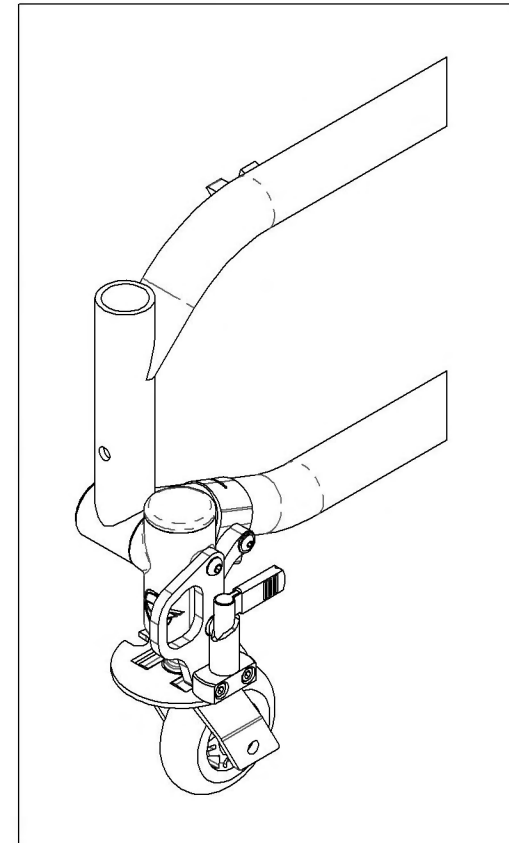


MAKE SURE TO HAVE YOUR SERIAL NUMBER
NEARBY WHEN ORDERING PARTS FOR YOUR
MOTION COMPOSITES WHEELCHAIR

**Front Wheel Catalogue
Caster Lock Pin**



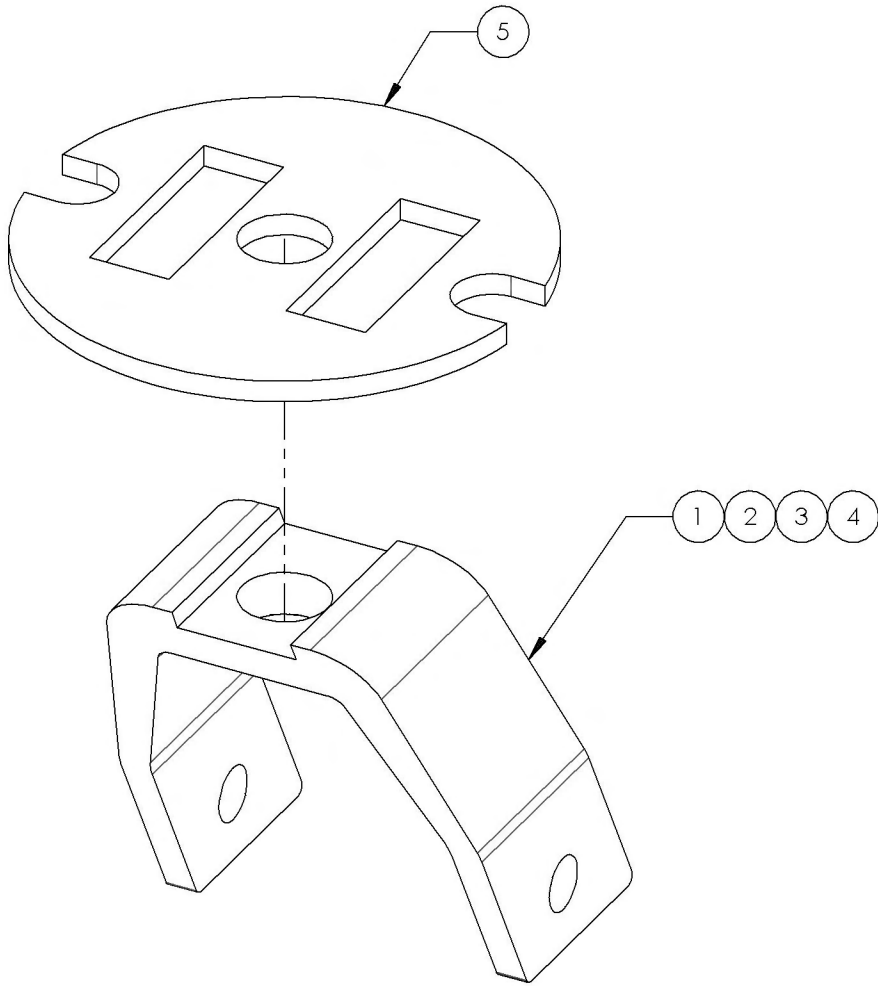
ITEM NO.	PARTNO	DESCRIPTION	QTY.
1	9001453	Fork - 3 in For Caster Lock Pin	1
2	9001454	Fork - 4 in For Caster Lock Pin	1
3	9001455	Fork - 5 in For Caster Lock Pin	1
4	9001456	Fork - 7 in For Caster Lock Pin	1
5	9001623	Tie Down - Front, For Unoccupied Transit With +1 in Caster Lock Pin	1
6	9001624	Tie Down - Front, For Unoccupied Transit With +2 in Caster Lock Pin	1



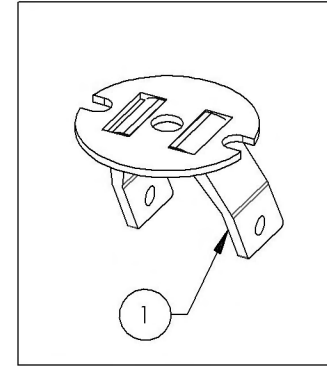
MAKE SURE TO HAVE YOUR SERIAL NUMBER
NEARBY WHEN ORDERING PARTS FOR YOUR
MOTION COMPOSITES WHEELCHAIR

9001453_9001456
Forks - For Caster Lock Pin

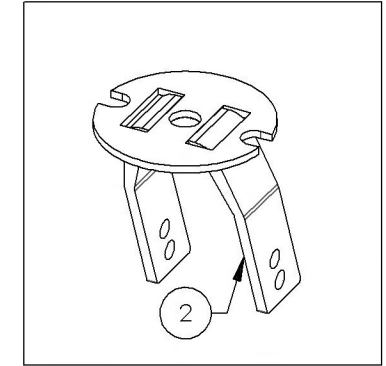
ITEM NO.	PARTNO	DESCRIPTION	9001453 /QTY.	9001454 /QTY.	9001455 /QTY.	9001456 /QTY.
1	22067	3"x1½" MACHINED FORK FOR CASTER LOCK PIN	1	-	-	-
2	22064	4"x2" MACHINED FORK FOR CASTER LOCK PIN	-	1	-	-
3	22065	5"x2" MACHINED FORK FOR CASTER LOCK PIN	-	-	1	-
4	22066	7"x2" MACHINED FORK FOR CASTER LOCK PIN	-	-	-	1
5	22060	CASTER LOCK PIN PLATE	1	1	1	1



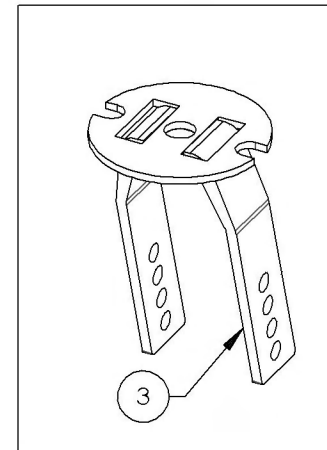
9001453
 Fork - 3 in For Caster Lock Pin



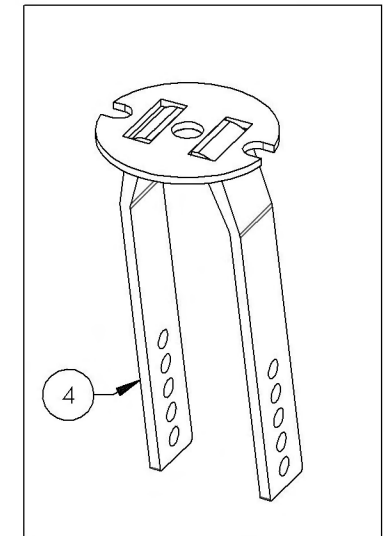
9001454
 Fork - 4 in For Caster Lock Pin



9001455
 Fork - 5 in For Caster Lock Pin

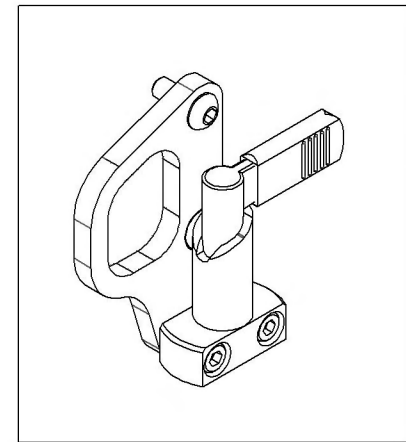
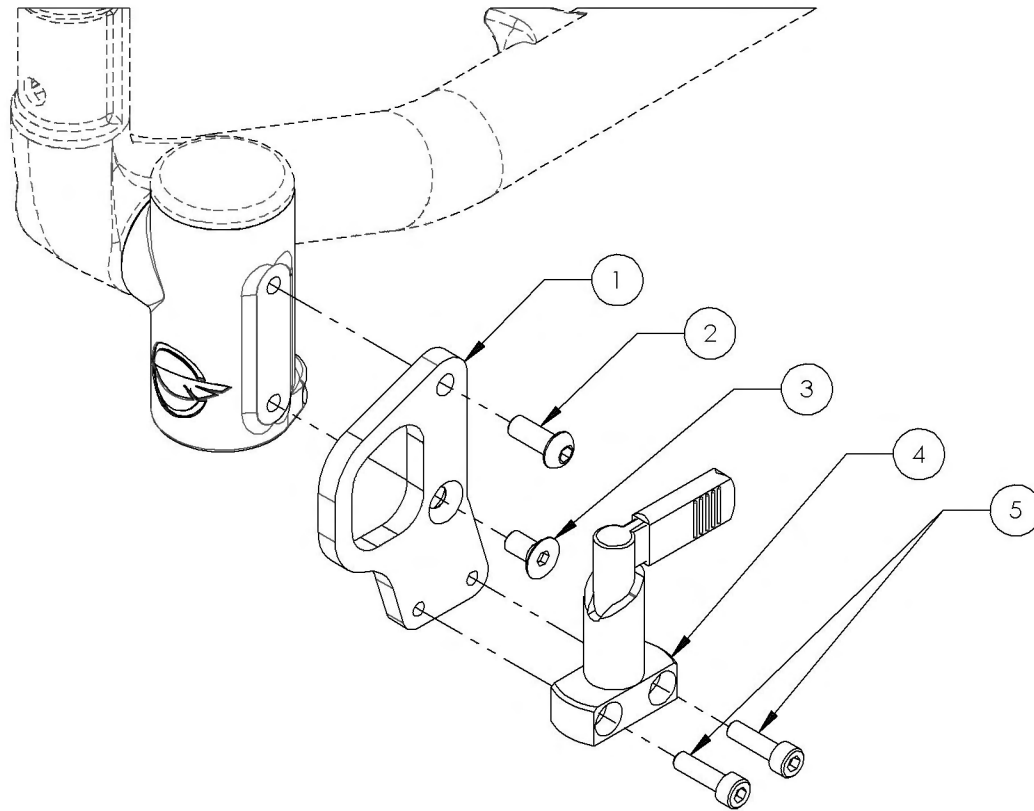


9001456
 Fork - 7 in For Caster Lock Pin



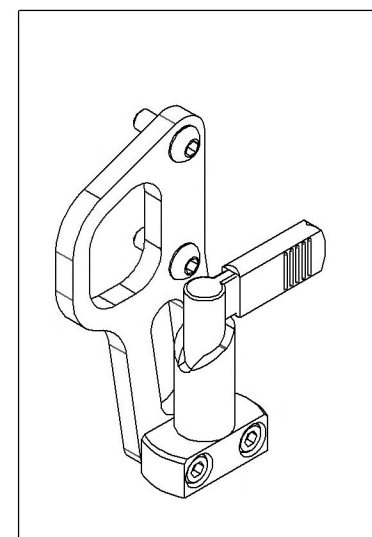
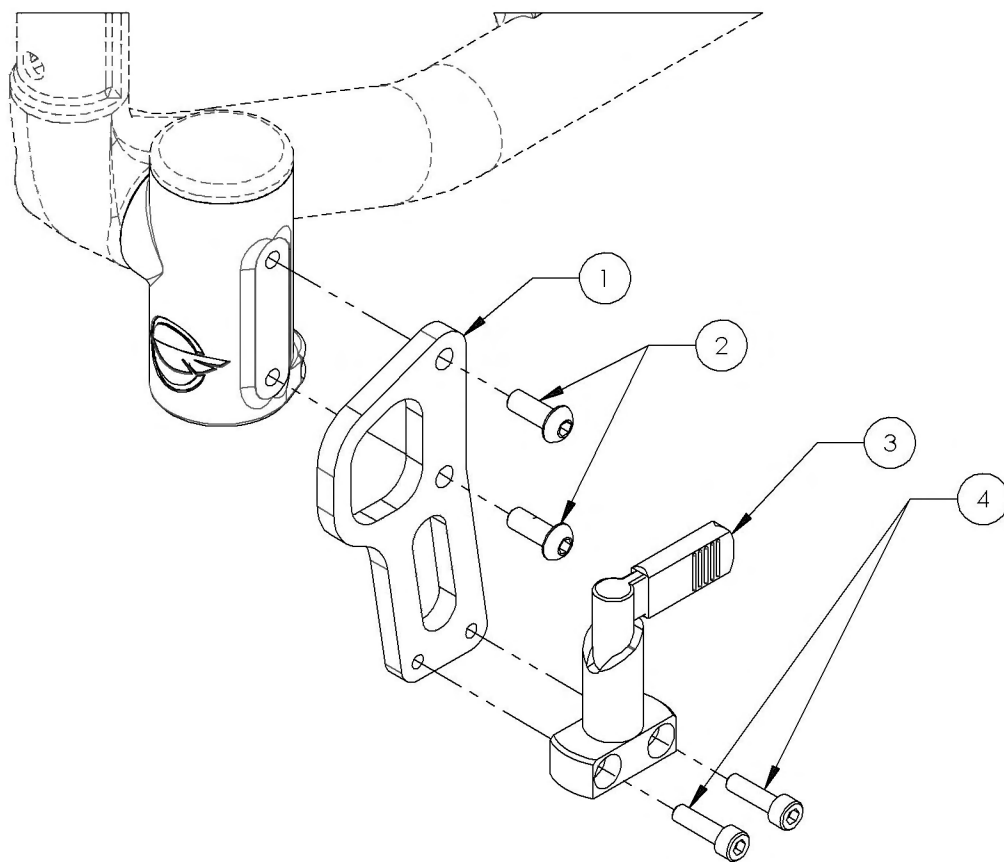
9001623
Tie Down - Front, For Unoccupied Transit With +1 in Caster Lock Pin

ITEM NO.	PARTNO	DESCRIPTION	9001623 /QTY.
1	22061	FRONT TIE DOWN +1 FOR CASTER LOCK PIN	1
2	90659	BUTTON HEAD CAP SCREW M6X1 X 16mm LONG, FULLY THREADED	1
3	90864	FLAT HEAD CAP SCREW M6X1 X 12mm LONG, FULLY THREADED	1
4	22063	SLIDER LOCK FOR CASTER LOCK PIN	1
5	90748	SOCKET CAP SCREW M5X0.8 X 18mm LONG, FULLY THREADED	2



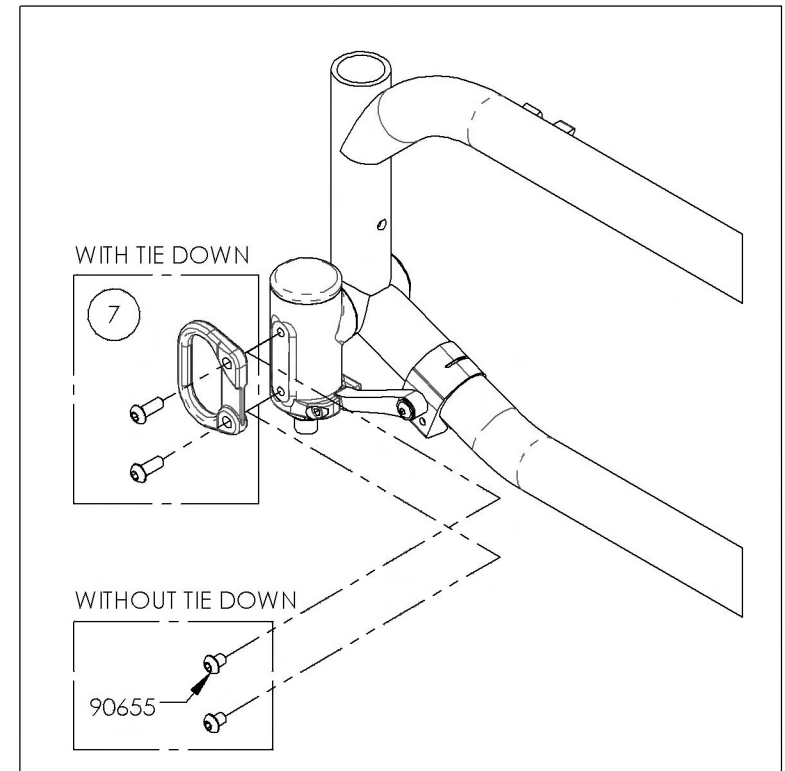
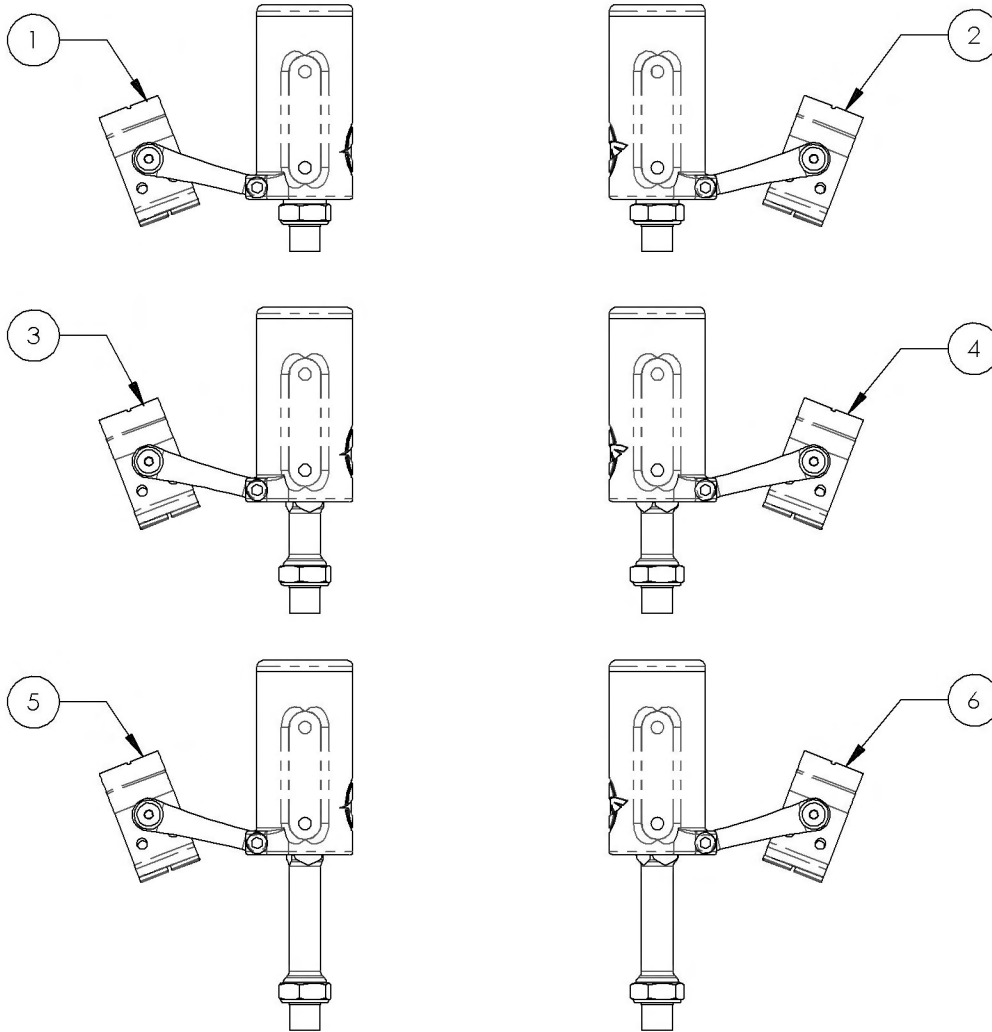
9001624
Tie Down - Front, For Unoccupied Transit With +2 in Caster Lock Pin

ITEM NO.	PARTNO	DESCRIPTION	9001624 /QTY.
1	22062	FRONT TIE DOWN +2 FOR CASTER LOCK PIN	1
2	90659	BUTTON HEAD CAP SCREW M6X1 X 16mm LONG, FULLY THREADED	2
3	22063	SLIDER LOCK FOR CASTER LOCK PIN	1
4	90748	SOCKET CAP SCREW M5X0.8 X 18mm LONG, FULLY THREADED	2



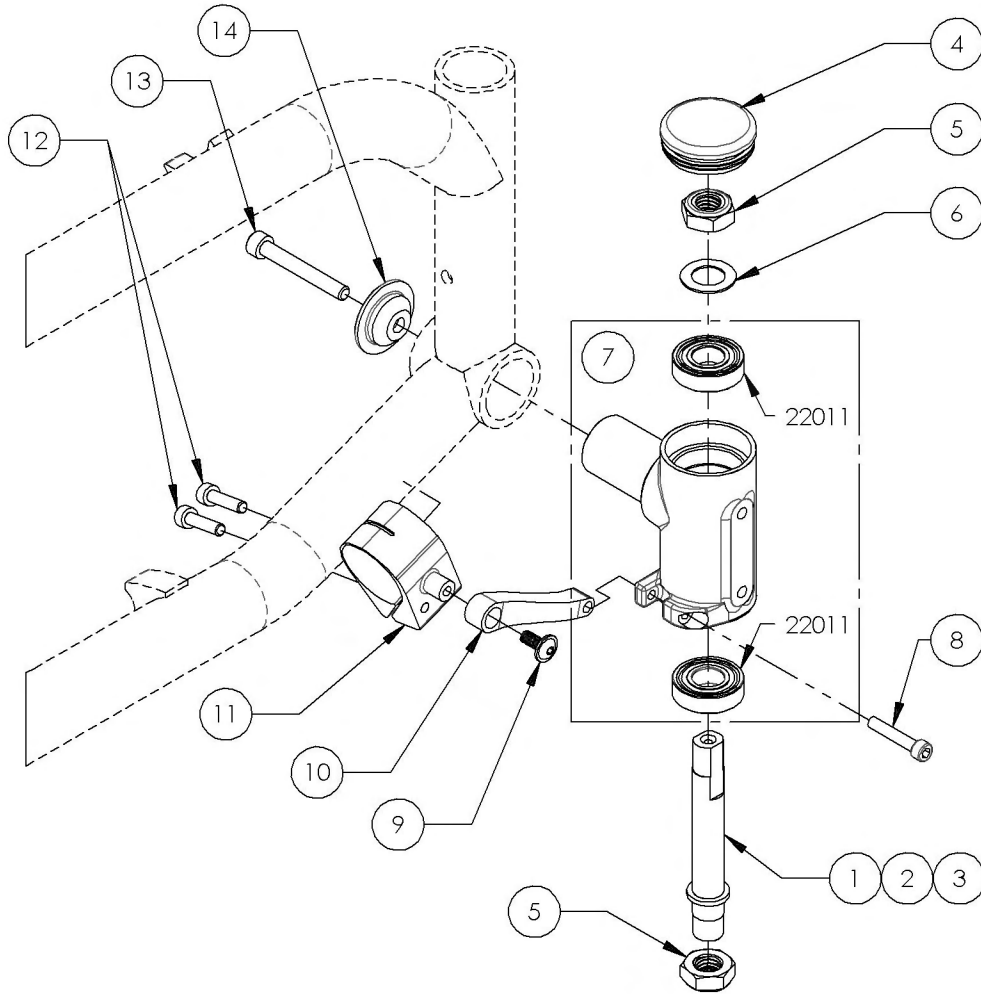
**Front Wheel Catalogue
V2 Caster Housing**

ITEM NO.	PARTNO	DESCRIPTION	QTY.
1	9001471	Caster Housing - Right, STD Stem Bolt	1
2	9001474	Caster Housing - Left, STD Stem Bolt	1
3	9001472	Caster Housing - Right, +1 in Stem Bolt	1
4	9001475	Caster Housing - Left, +1 in Stem Bolt	1
5	9001473	Caster Housing - Right, +2 in Stem Bolt	1
6	9001476	Caster Housing - Left, +2 in Stem Bolt	1
7	9001622	Tie Down - Front, For Unoccupied Transit	1



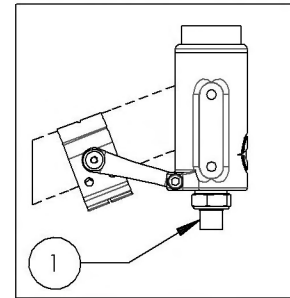
MAKE SURE TO HAVE YOUR SERIAL NUMBER
NEARBY WHEN ORDERING PARTS FOR YOUR
MOTION COMPOSITES WHEELCHAIR

9001471_9001473
Caster Housing - Right + Stem bolt

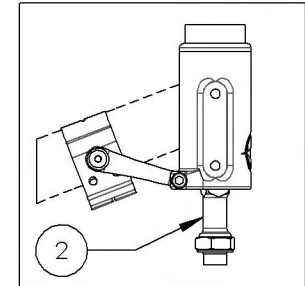


ITEM NO.	PARTNO	DESCRIPTION	9001471 /QTY.	9001472 /QTY.	9001473 /QTY.
1	22031	STEM BOLT STD	1	-	-
2	22032	STEM BOLT + 1	-	1	-
3	22033	STEM BOLT + 2	-	-	1
4	99700	CAP Ø1.5	1	1	1
5	90992	M12 LOW NYLON LOCK	2	2	2
6	99595	WASHER 1_2, 17_32 ID X 7_8 OD X .032 THK	1	1	1
7	22048	BEARING HOUSING RIGHT - ASSEMBLY	1	1	1
8	99114	SOCKET CAP SCREW #10-32 X 1	1	1	1
9	90993	FLANGE BUTTON HEAD CAP SCREW, M5X.8 X 12mm	1	1	1
10	22053	TORQUE ARM V2	1	1	1
11	22052	FRONT WHEEL CLAMP V2	1	1	1
12	90749	SOCKET CAP SCREW M5X0.8 X 20mm LONG, FULLY THREADED	2	2	2
13	90777	SOCKET CAP SCREW M6X1 X 45mm LONG, 24mm THREADED	1	1	1
14	22009	HOUSING SIDE CAP	1	1	1

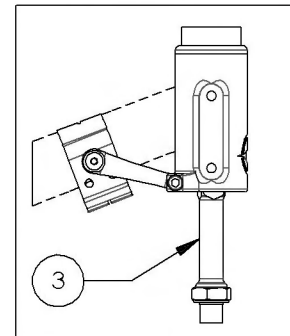
9001471
 Caster Housing - Right, STD Stem Bolt



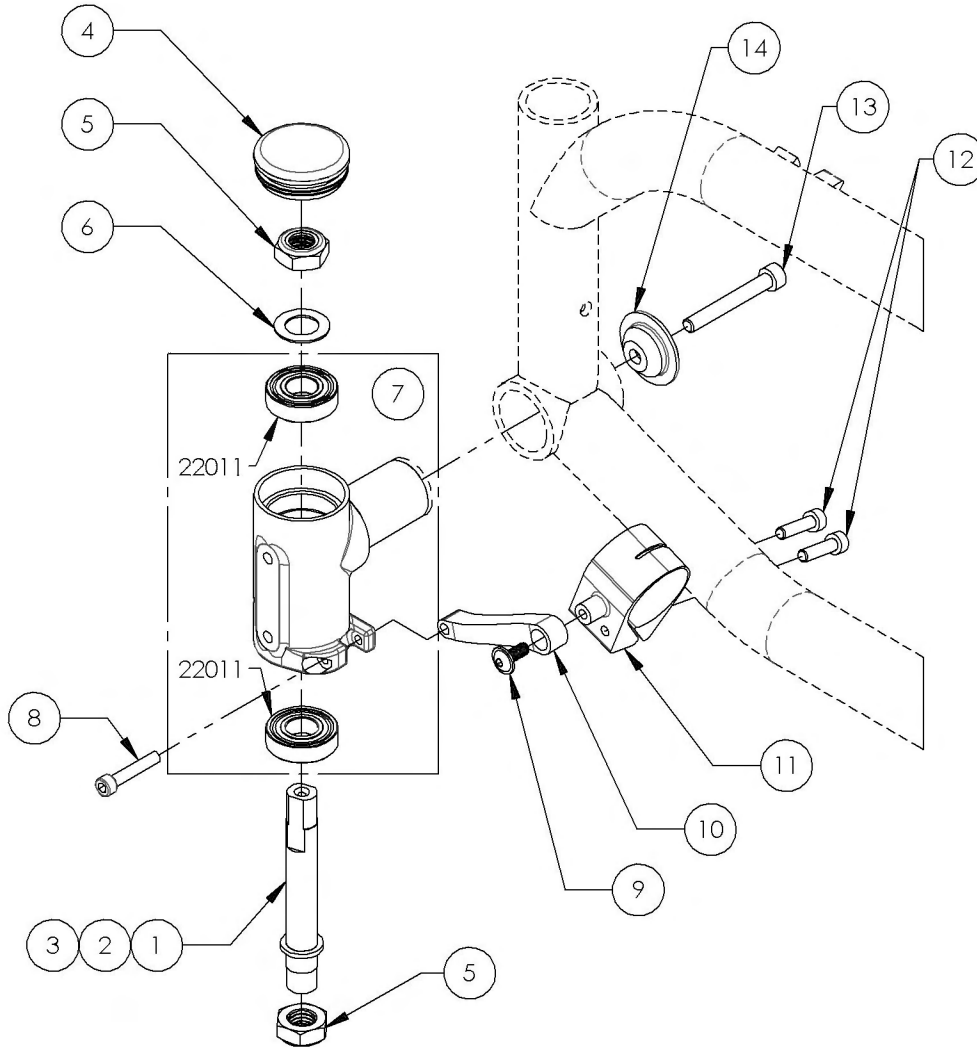
9001472
 Caster Housing - Right, +1 in Stem Bolt



9001473
 Caster Housing - Right, +2 in Stem Bolt

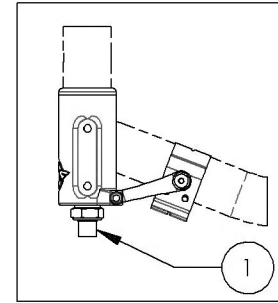


9001474_9001476
Caster Housing - Left + Stem bolt

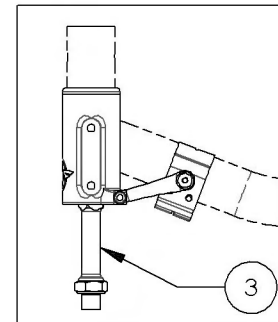


ITEM NO.	PARTNO	DESCRIPTION	9001474 /QTY.	9001475 /QTY.	9001476 /QTY.
1	22031	STEM BOLT STD	1	-	-
2	22032	STEM BOLT + 1	-	1	-
3	22033	STEM BOLT + 2	-	-	1
4	99700	CAP Ø1.5	1	1	1
5	90992	M12 LOW NYLON LOCK	2	2	2
6	99595	WASHER 1_2, 17_32 ID X 7_8 OD X .032 THK	1	1	1
7	22047	BEARING HOUSING LEFT - ASSEMBLY	1	1	1
8	99114	SOCKET CAP SCREW #10-32 X 1	1	1	1
9	90993	FLANGE BUTTON HEAD CAP SCREW, M5X.8 X 12mm	1	1	1
10	22053	TORQUE ARM V2	1	1	1
11	22052	FRONT WHEEL CLAMP V2	1	1	1
12	90749	SOCKET CAP SCREW M5X0.8 X 20mm LONG, FULLY THREADED	2	2	2
13	90777	SOCKET CAP SCREW M6X1 X 45mm LONG, 24mm THREADED	1	1	1
14	22009	HOUSING SIDE CAP	1	1	1

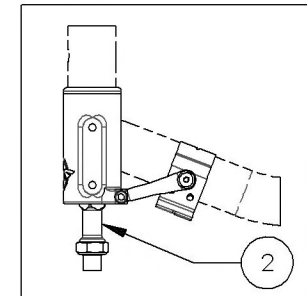
9001474
 Caster Housing - Left,
 STD Stem Bolt



9001476
 Caster Housing - Left,
 +2 in Stem Bolt

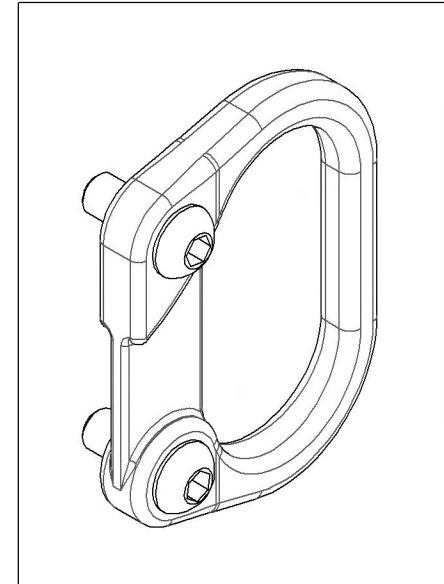
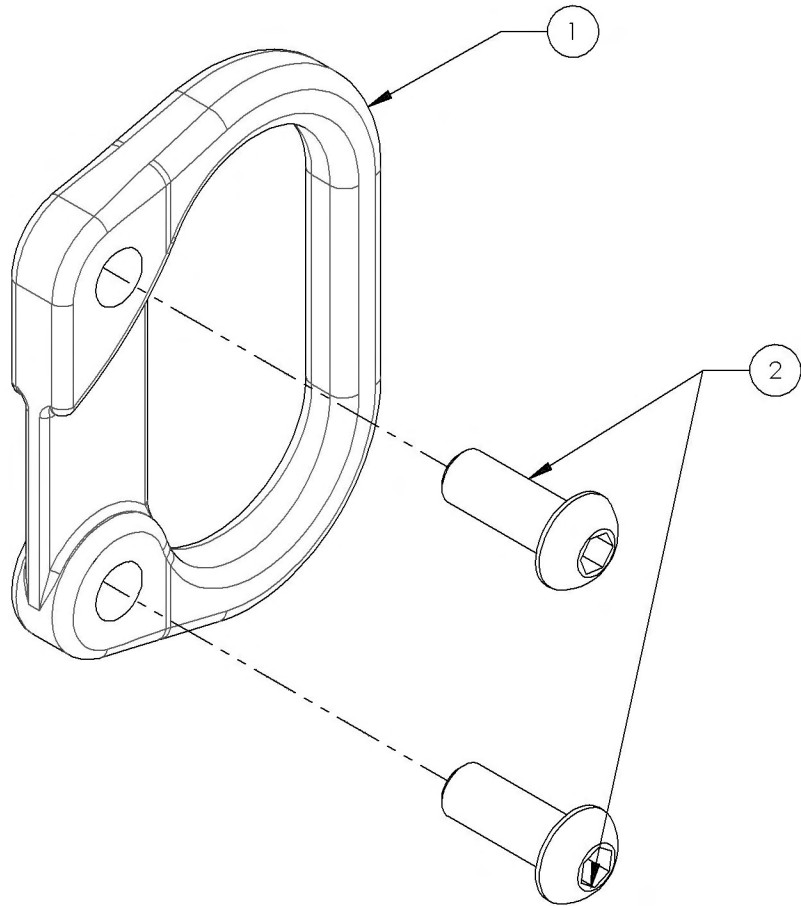


9001475
 Caster Housing - Left,
 +1 in Stem Bolt

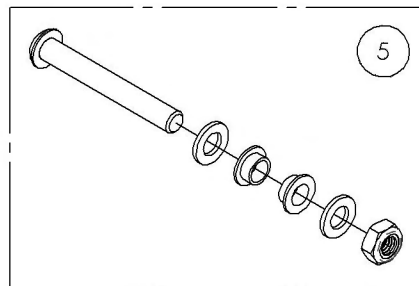
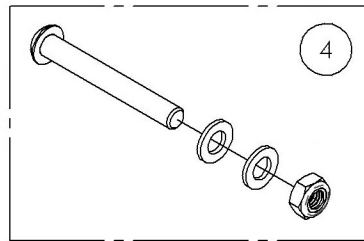
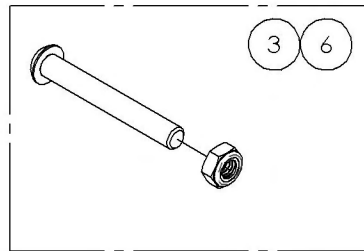
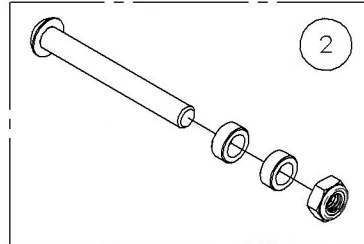
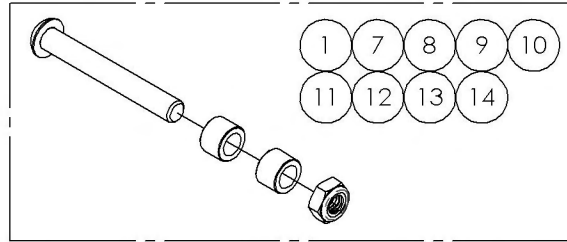


9001622
Tie Down - Front, For Unoccupied Transit

ITEM NO.	PARTNO	DESCRIPTION	9001622 /QTY.
1	22004	FRONT TIE DOWN	1
2	90659	BUTTON HEAD CAP SCREW M6X1 X 16mm LONG, FULLY THREADED	2



**Front Wheel Catalogue
Hardware**

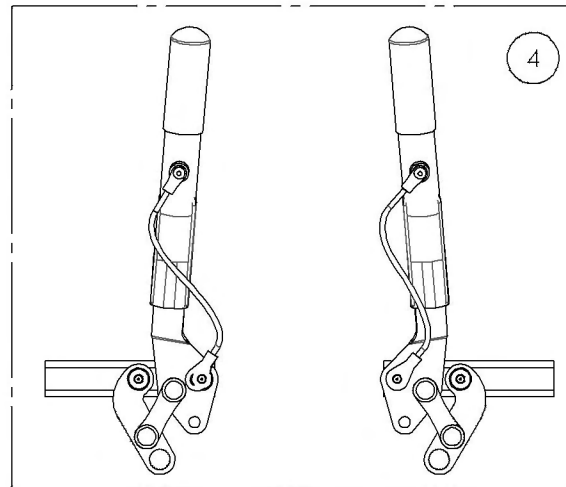
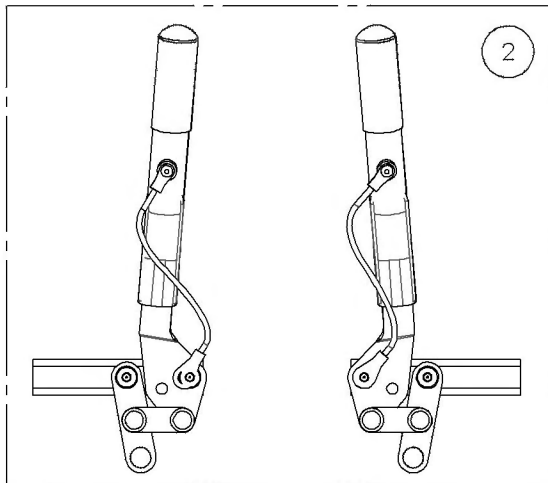
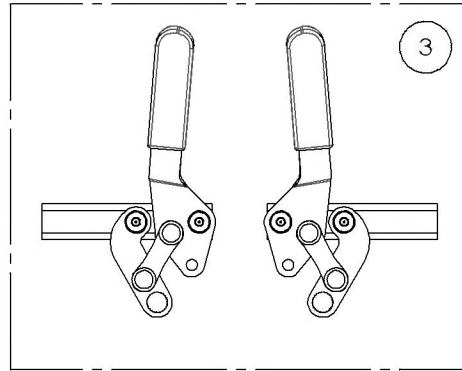
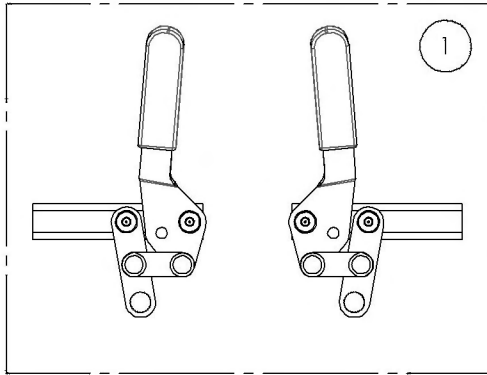


ITEM NO.	PARTNO	DESCRIPTION	QTY.
1	9001416	Fork - Hardware For Composites Caster, 3x1 in	1
2	9001417	Fork - Hardware For Composites Caster, 4x1 in	1
3	9001418	Fork - Hardware For Composites Caster, 5x1 in	1
4	9001419	Fork - Hardware For Composites Caster, 6x1 in	1
5	9001420	Fork - Hardware For Composites Caster, 7x1 in	1
6	9001421	Fork - Hardware For Composites Caster, 8x1 in	1
7	9001422	Fork - Hardware For Composites Soft-Roll Caster, 4x1½ in	1
8	9001423	Fork - Hardware For Composites Soft-Roll Caster, 5x1½ in	1
9	9001424	Fork - Hardware For Composites Soft-Roll Caster, 6x1½ in	1
10	9001425	Fork - Hardware For Court Wheel Aluminum Caster, 4x1 in	1
11	9001426	Fork - Hardware For Court Wheel Aluminum Caster, 5x1 in	1
12	9001427	Fork - Hardware For Court Wheel Aluminum Caster, 6x1 in	1
13	9001428	Fork - Hardware For Pneumatic Caster, 6x1¼ in	1
14	9001429	Fork - Hardware For Pneumatic Caster, 8x1¼ in	1

MAKE SURE TO HAVE YOUR SERIAL NUMBER
NEARBY WHEN ORDERING PARTS FOR YOUR
MOTION COMPOSITES WHEELCHAIR

Wheel Lock Catalogue
Wheel Lock - Push & Pull

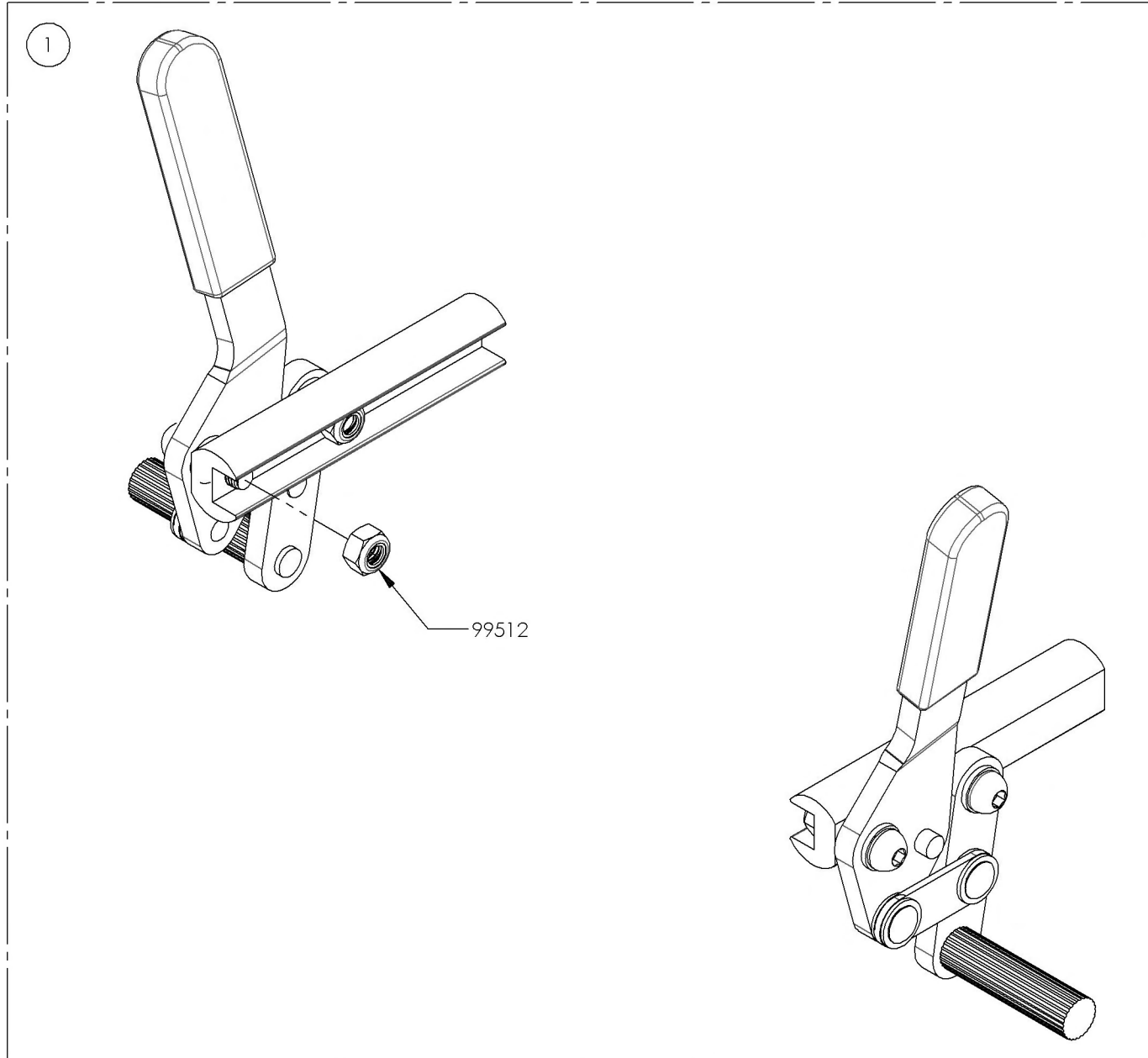
ITEM NO.	PARTNO	DESCRIPTION	QTY
1	9001573	Wheel Lock - Push to lock	1
2	9001575	Wheel Lock - Push to lock, 6 in Removable Extension Handle	1
3	9001577	Wheel Lock - Pull to lock	1
4	9001579	Wheel Lock - Pull to lock, 6 in Removable Extension Handle	1



MAKE SURE TO HAVE YOUR SERIAL NUMBER
 NEARBY WHEN ORDERING PARTS FOR YOUR
 MOTION COMPOSITES WHEELCHAIR

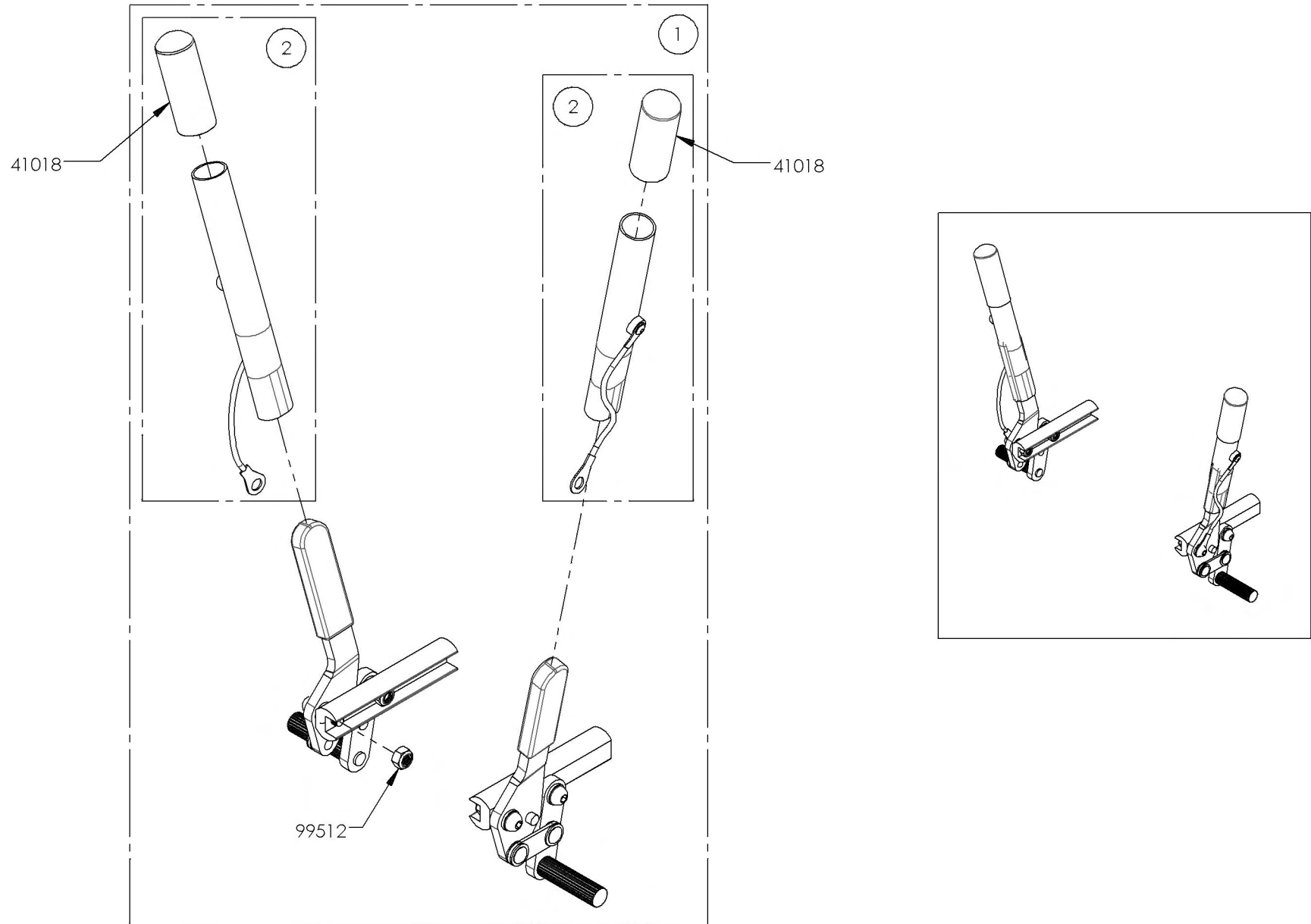
9001573
Wheel Lock - Push to lock

ITEM NO.	PARTNO	DESCRIPTION	9001573 /QTY.
1	41002	WHEEL LOCK PUSH	1



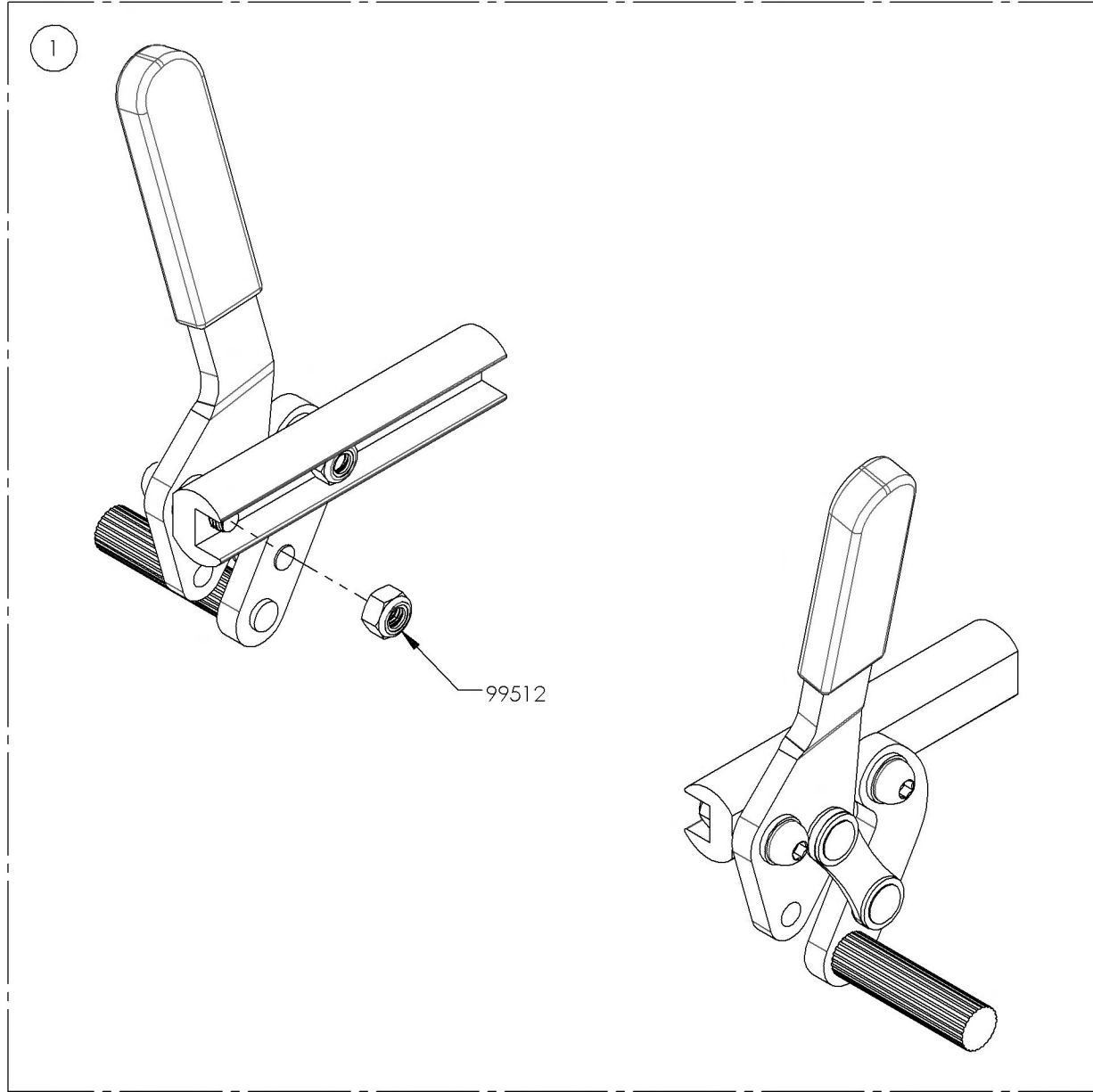
9001575
Wheel Lock - Push to lock, 6 in Removable Extension Handle

ITEM NO.	PARTNO	DESCRIPTION	9001575 /QTY.	REPLACEMENT PARTS/QTY.
1	41013	WHEEL LOCK PUSH RIGHT & LEFT (PAIR)	1	-
2	41005	REMOVABLE EXTENSION HANDLE	-	1



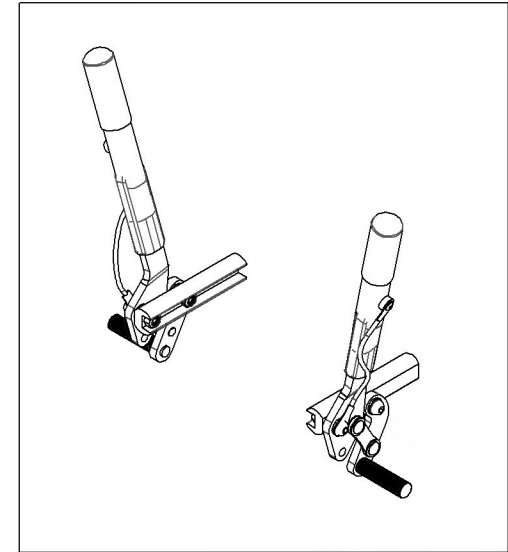
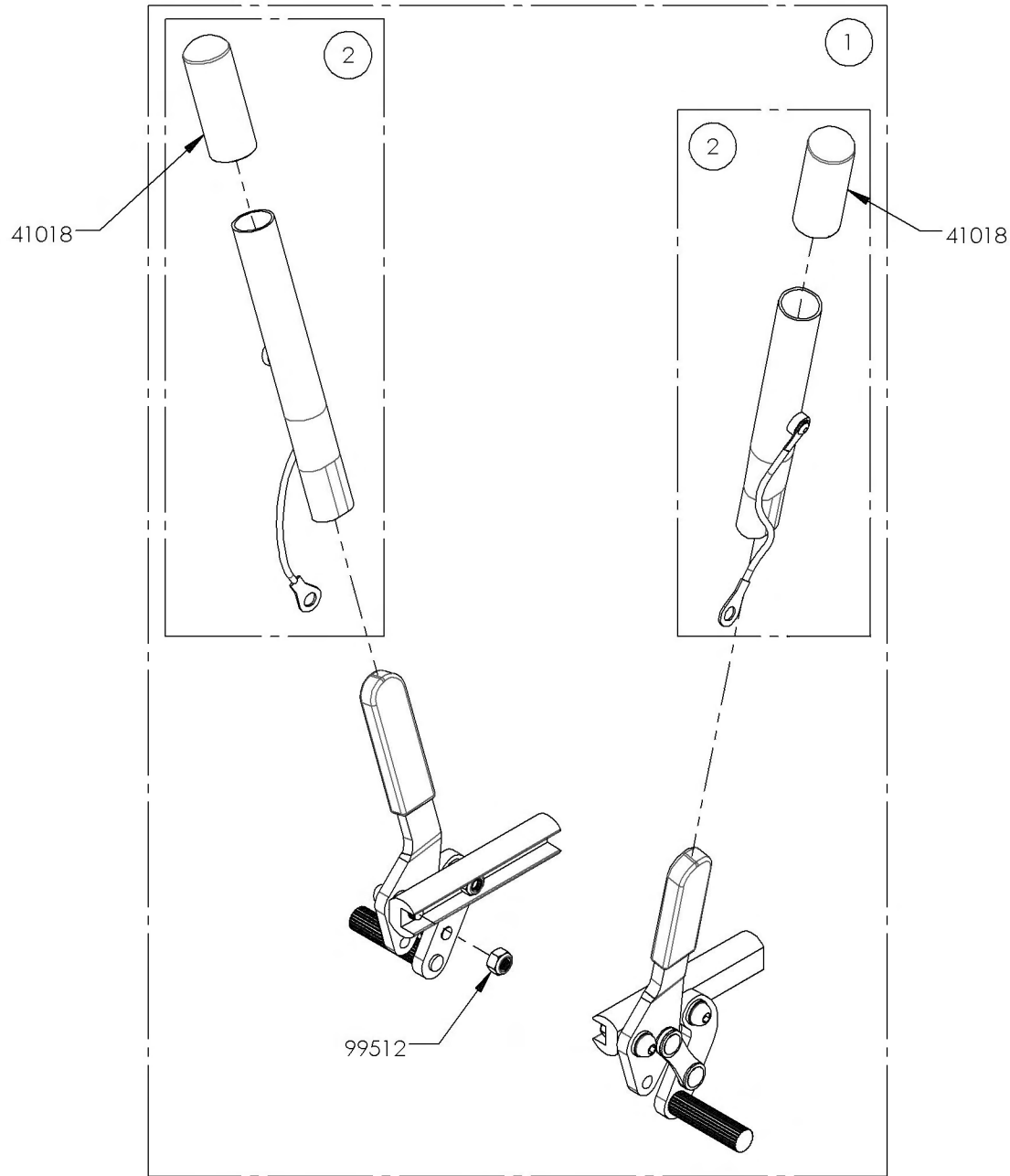
9001577
Wheel Lock - Pull to lock

ITEM NO.	PARTNO	DESCRIPTION	9001577 /QTY.
1	41003	PULL TO LOCK WHEEL LOCK RIGHT & LEFT	1



9001579
Wheel Lock - Pull to lock, 6 in Removable Extension Handle

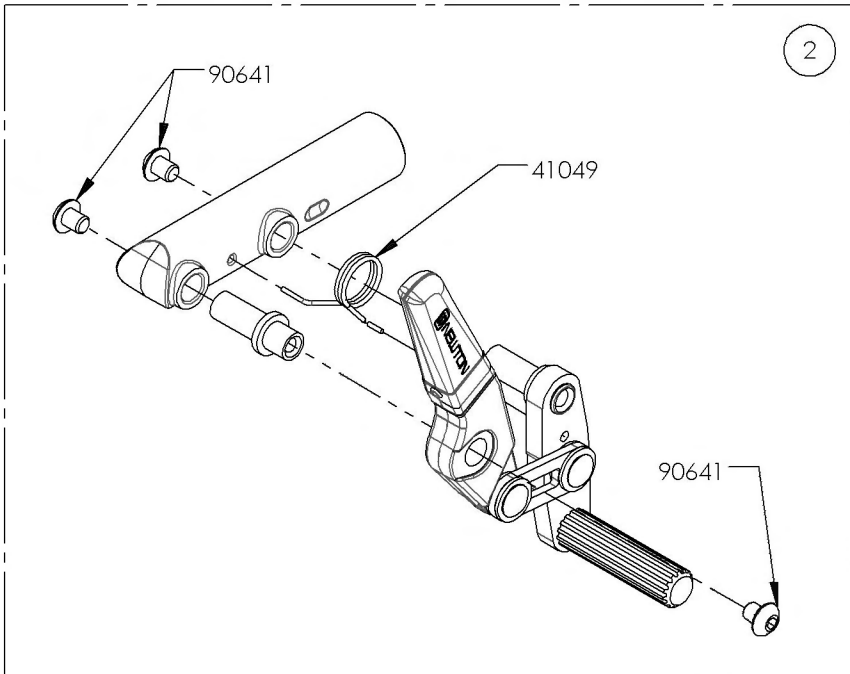
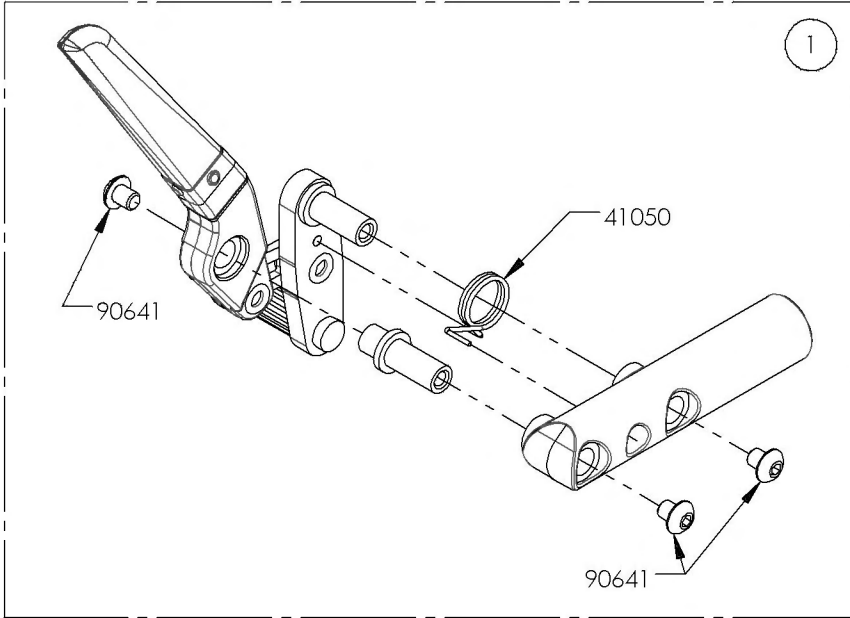
ITEM NO.	PARTNO	DESCRIPTION	9001579 /QTY.	REPLACEMENT PARTS/QTY.
1	41014	WHEEL LOCK PULL + EXTENSION	1	-
2	41005	REMOVABLE EXTENSION HANDLE	-	1



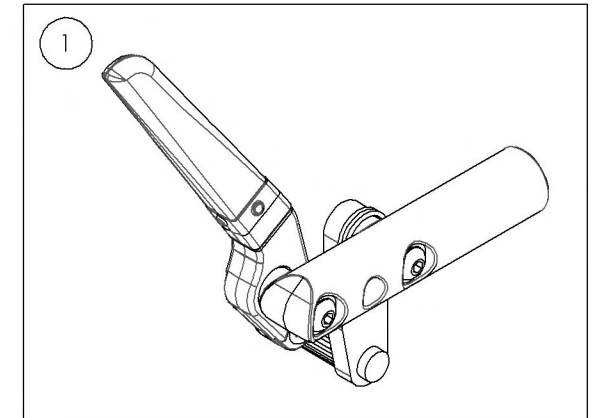
9002216_9002217

Wheel Lock - Newton Spring Loaded Push to lock

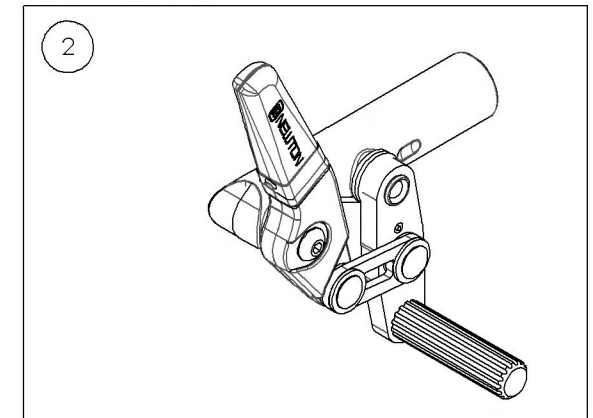
ITEM NO.	PARTNO	DESCRIPTION	9002216 /QTY.	9002217 /QTY.
1	41057	PUSH SPRING WHEEL LOCK RIGHT - ASSEMBLY	1	-
2	41056	PUSH SPRING WHEEL LOCK LEFT - ASSEMBLY	-	1



9002216
Wheel Lock - Newton Spring Loaded
Push to lock, Right



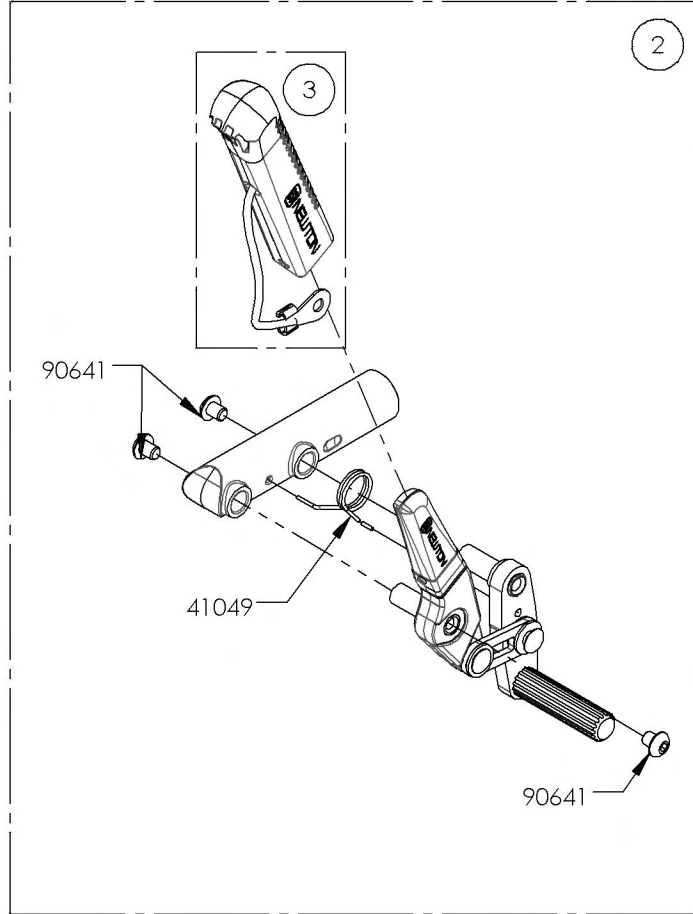
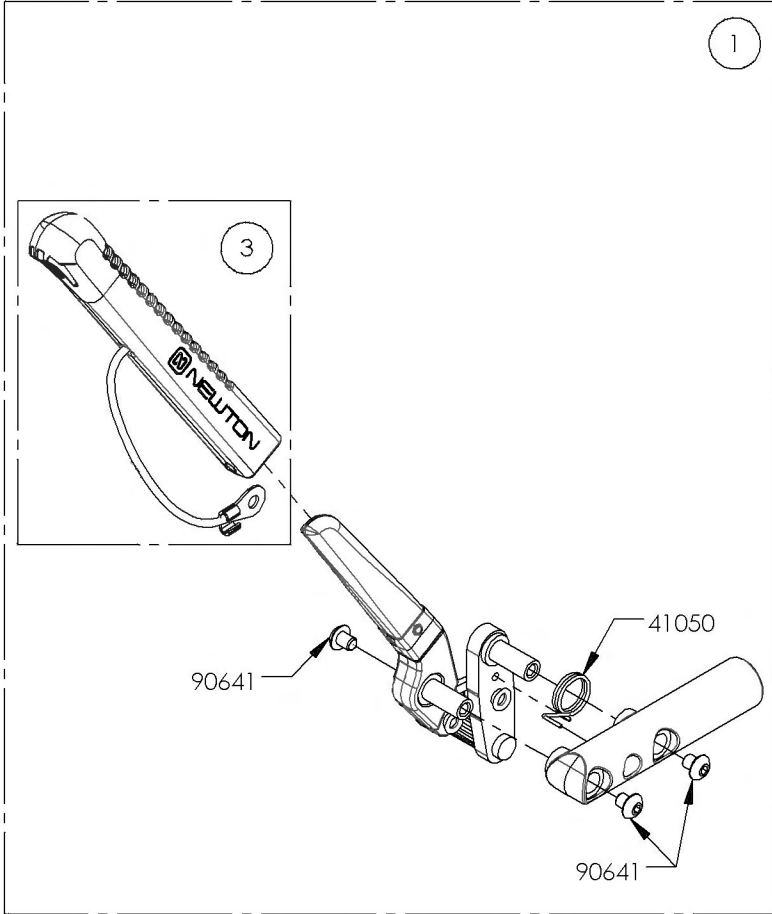
9002217
Wheel Lock - Newton Spring Loaded
Push to lock, Left



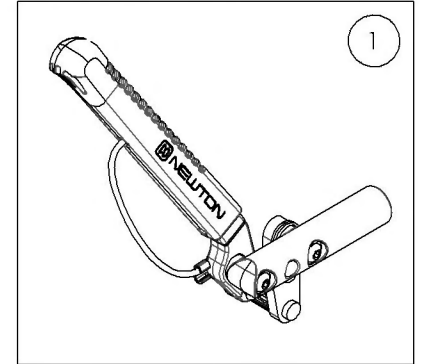
9002218_9002219

Wheel Lock - Newton Spring Loaded Push to lock, 6 in Removable Extension Handle

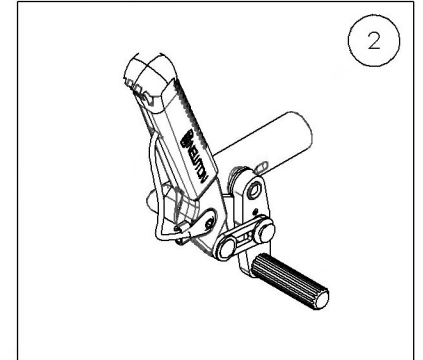
ITEM NO.	PARTNO	DESCRIPTION	9002218 /QTY.	9002219 /QTY.	REPLACEMENT PARTS/QTY.
1	41052	PUSH SPRING WHEEL LOCK RIGHT + EXTENSION - ASSEMBLY	1	-	-
2	41051	PUSH SPRING WHEEL LOCK LEFT+ EXTENSION - ASSEMBLY	-	1	-
3	41500	NEWTON REMOVABLE EXTENSION HANDLE - ASSEMBLY	-	-	1



9002218
Wheel Lock - Newton Spring Loaded Push to lock, 6 in Removable Extension Handle, Right

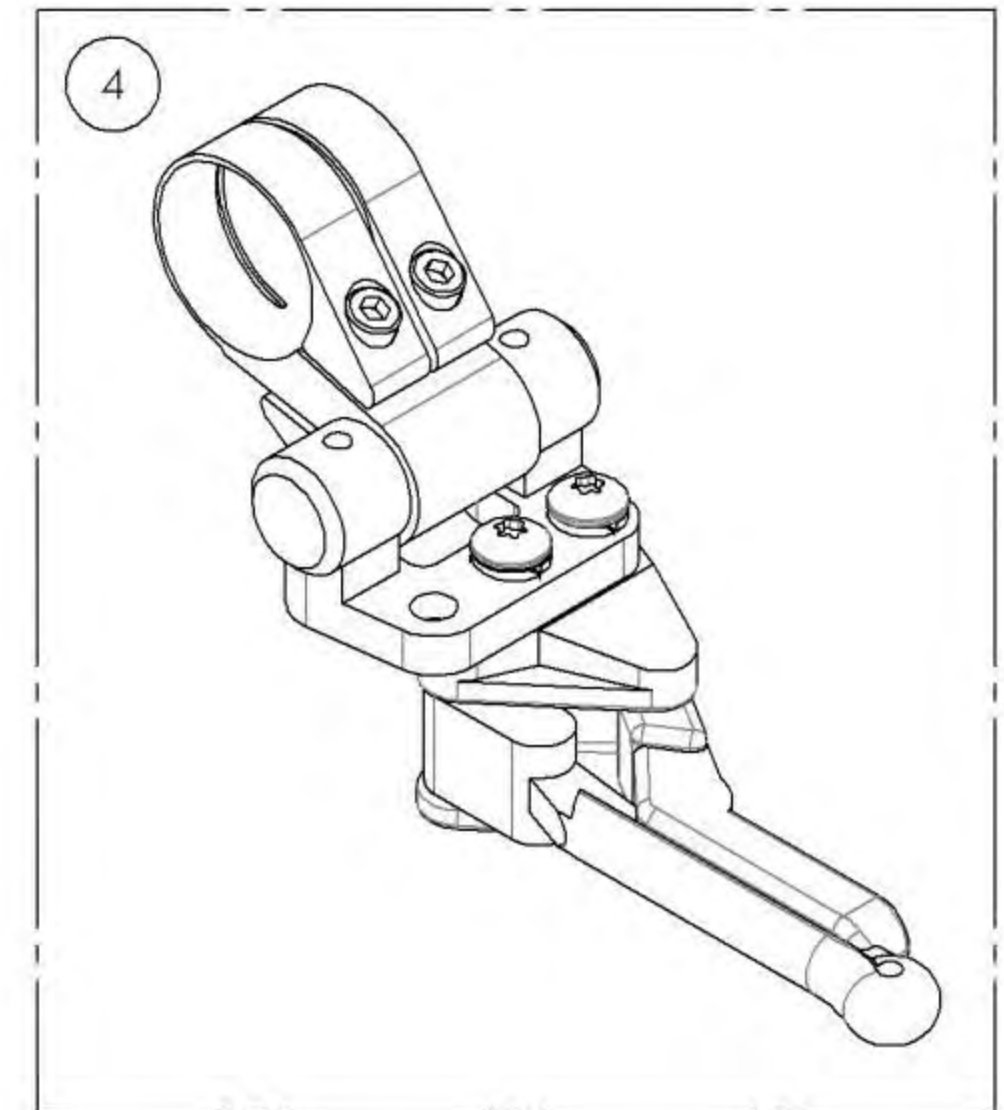
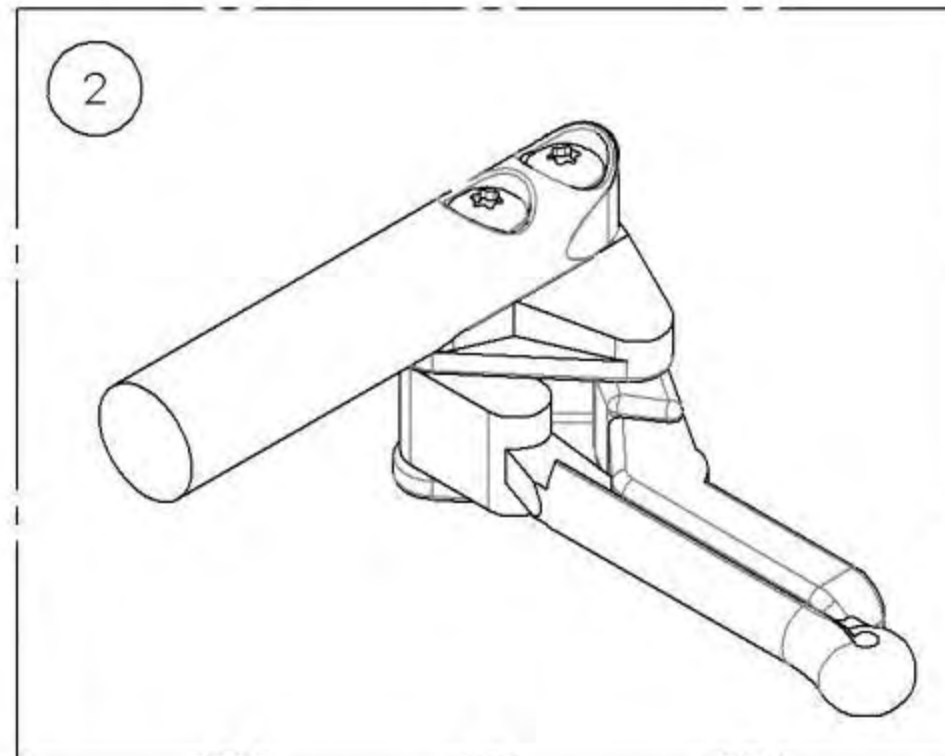
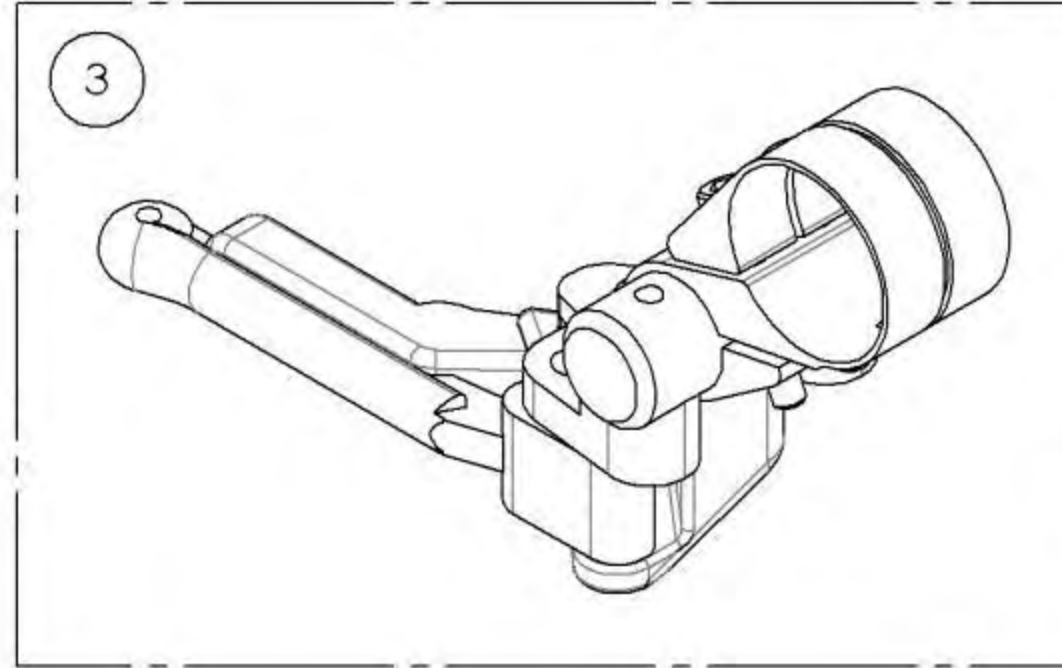
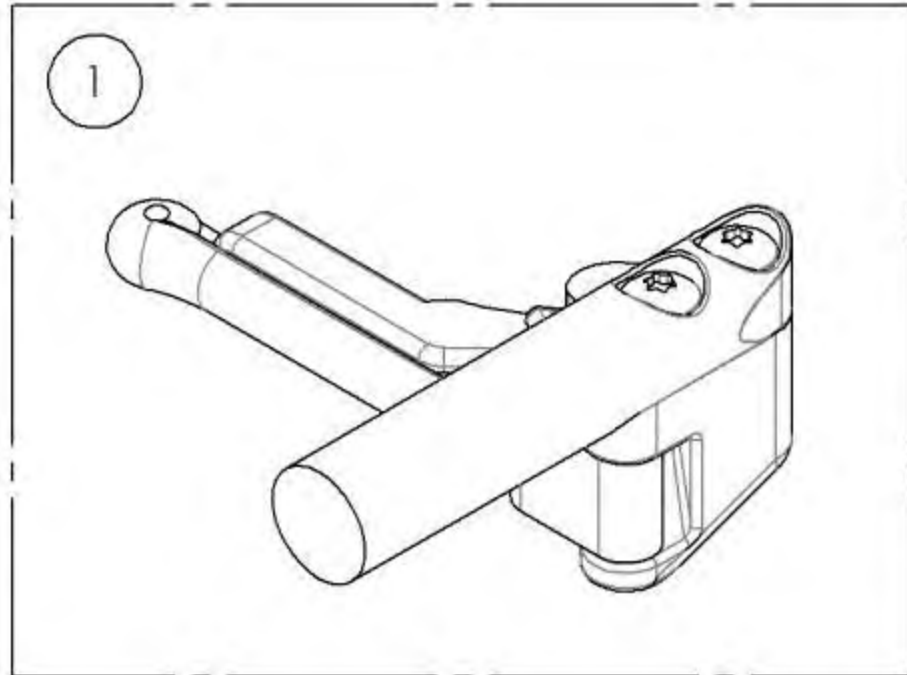


9002219
Wheel Lock - Newton Spring Loaded Push to lock, 6 in Removable Extension Handle, Left



Wheel Lock Catalogue
Wheel Lock - Scissor With Adaptor

ITEM NO.	PARTNO	DESCRIPTION	QTY.
1	9001585	Wheel Lock - Scissor, Right	1
2	9001586	Wheel Lock - Scissor, Left	1
3	9001325	Wheel Lock - Scissor + Compact Adaptor, Right	1
4	9001326	Wheel Lock - Scissor + Compact Adaptor, Left	1

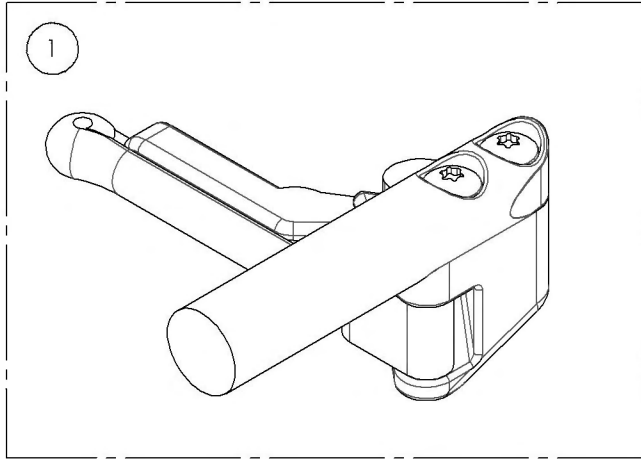


MAKE SURE TO HAVE YOUR SERIAL NUMBER
 NEARBY WHEN ORDERING PARTS FOR YOUR
 MOTION COMPOSITES WHEELCHAIR

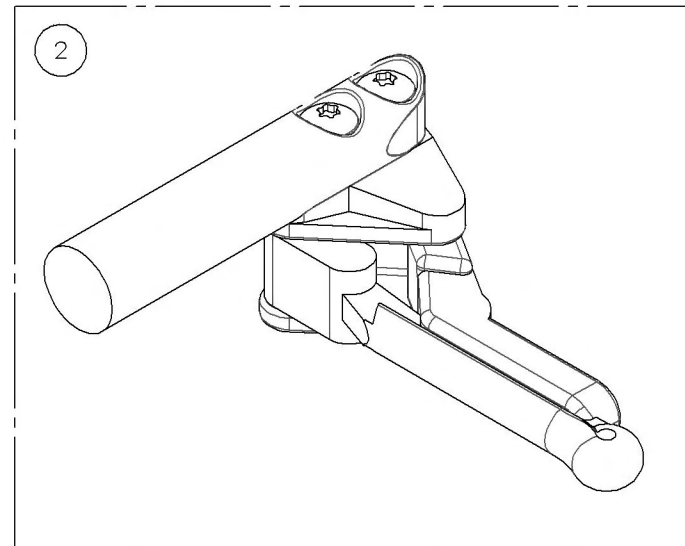
9001585_9001586
Wheel Lock - Scissor

ITEM NO.	PARTNO	DESCRIPTION	9001585 /QTY.	9001586 /QTY.
1	41039	OUT-FRONT SCISSOR WHEEL LOCK RIGHT	1	-
2	41038	OUT-FRONT SCISSOR WHEEL LOCK LEFT	-	1

9001585
 Wheel Lock - Scissor, Right

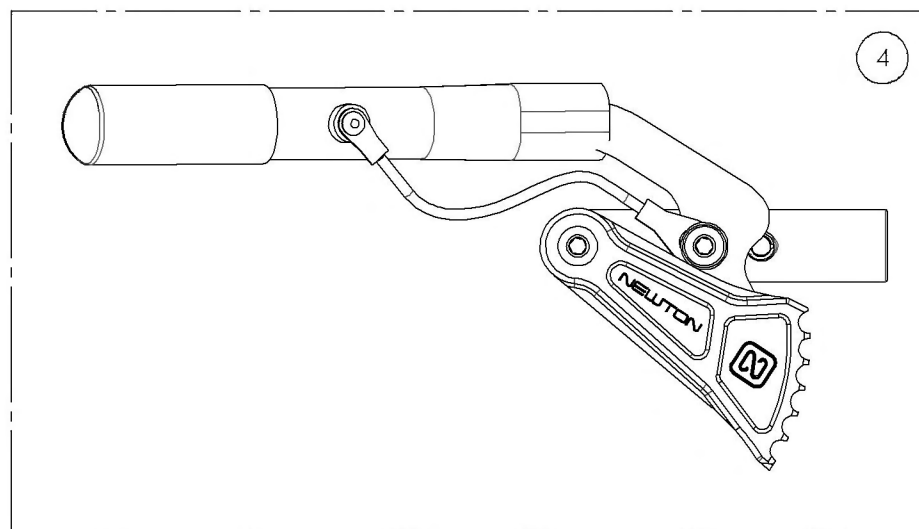
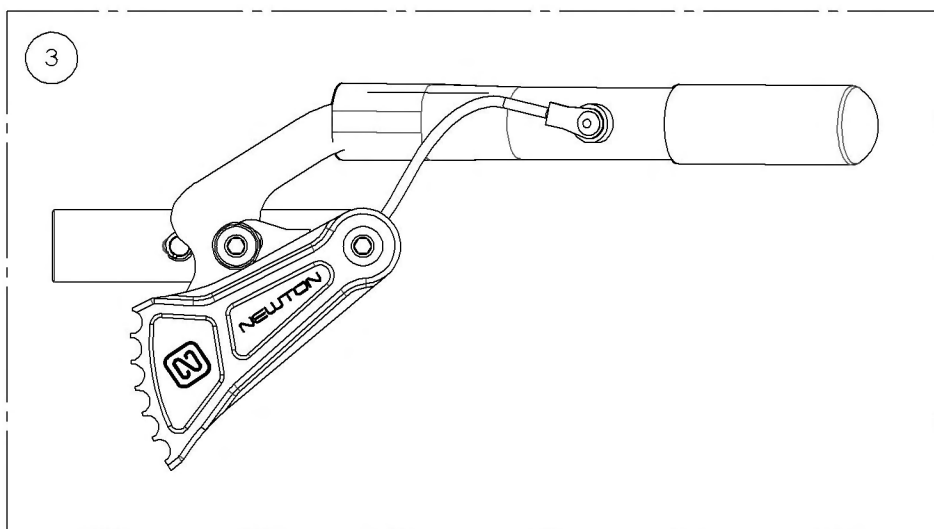
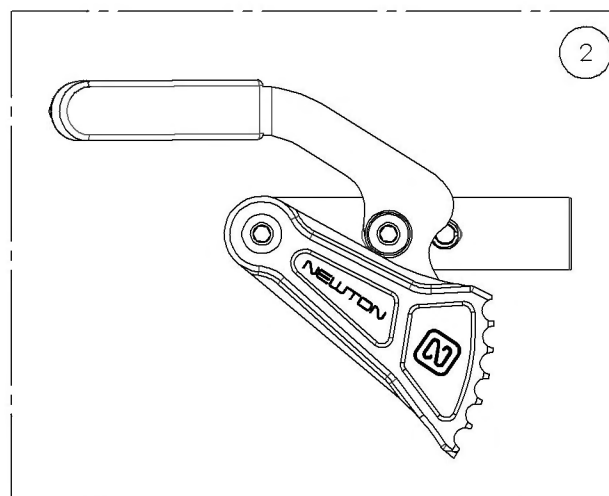
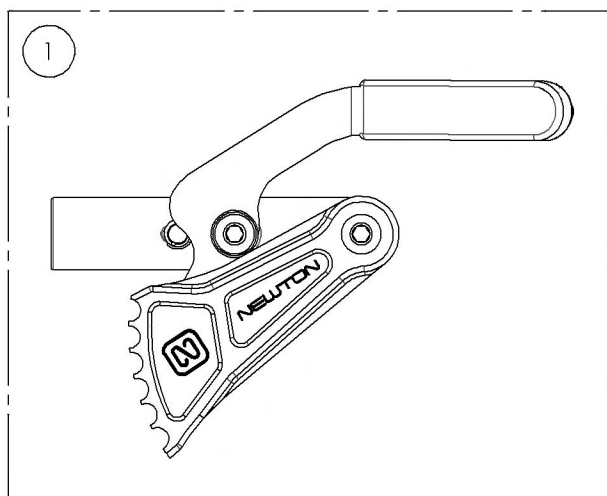


9001586
 Wheel Lock - Scissor, Left



Wheel Lock Catalogue
Wheel Lock - Grade Aid With And Without 6" Removable Extension
Handle Right & Left

ITEM NO.	PARTNO	DESCRIPTION	QTY.
1	9001581	Wheel Lock - Newton Grade Aid, Push to lock, Right	1
2	9001582	Wheel Lock - Newton Grade Aid, Push to lock, Left	1
3	9001583	Wheel Lock - Newton Grade Aid, Push to lock, 6 in Removable Extension Handle, Right	1
4	9001584	Wheel Lock - Newton Grade Aid, Push to lock, 6 in Removable Extension Handle, Left	1

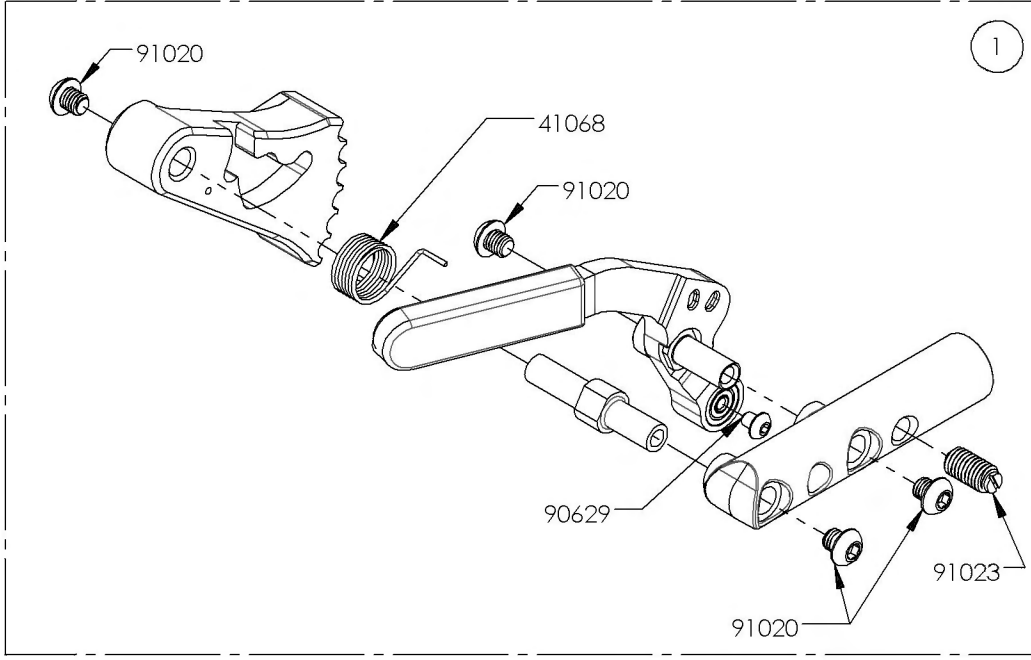


MAKE SURE TO HAVE YOUR SERIAL NUMBER
 NEARBY WHEN ORDERING PARTS FOR YOUR
 MOTION COMPOSITES WHEELCHAIR

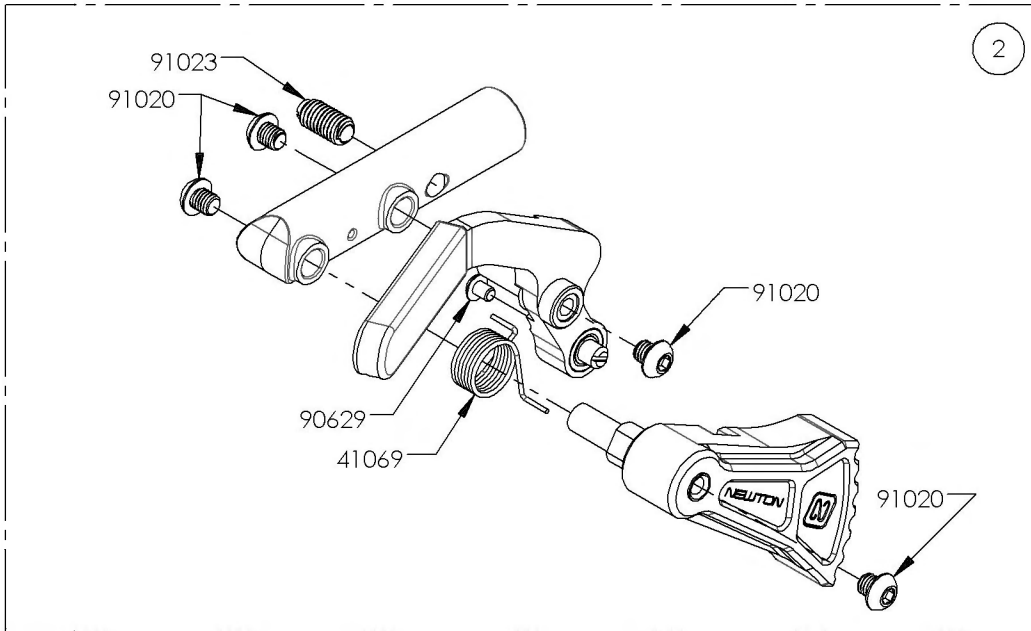
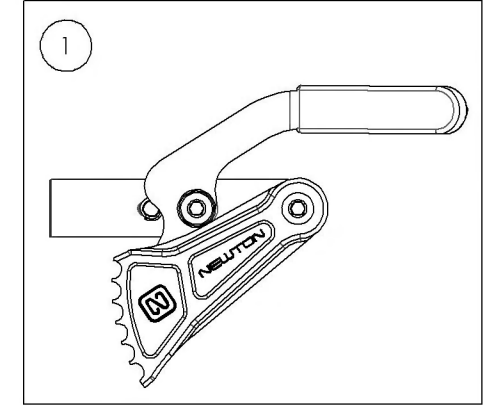
9001581_9001582

Wheel Lock - Newton Grade Aid, Push to lock

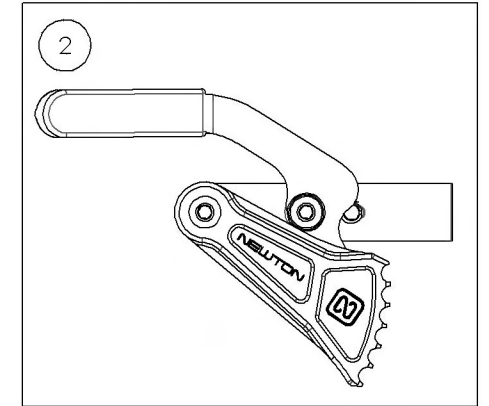
ITEM NO.	PARTNO	DESCRIPTION	9001581 /QTY.	9001582 /QTY.
1	41035	GRADE AID BRAKE RIGHT - ASSEMBLY	1	-
2	41036	GRADE AID BRAKE LEFT - ASSEMBLY	-	1



9001581
Wheel Lock - Newton Grade Aid,
Push to lock, Right



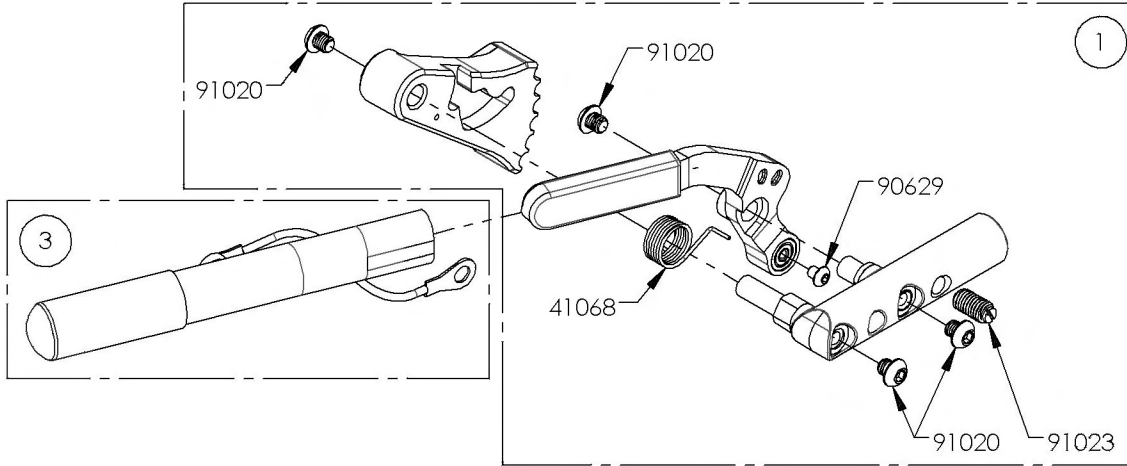
9001582
Wheel Lock - Newton Grade Aid,
Push to lock, Left



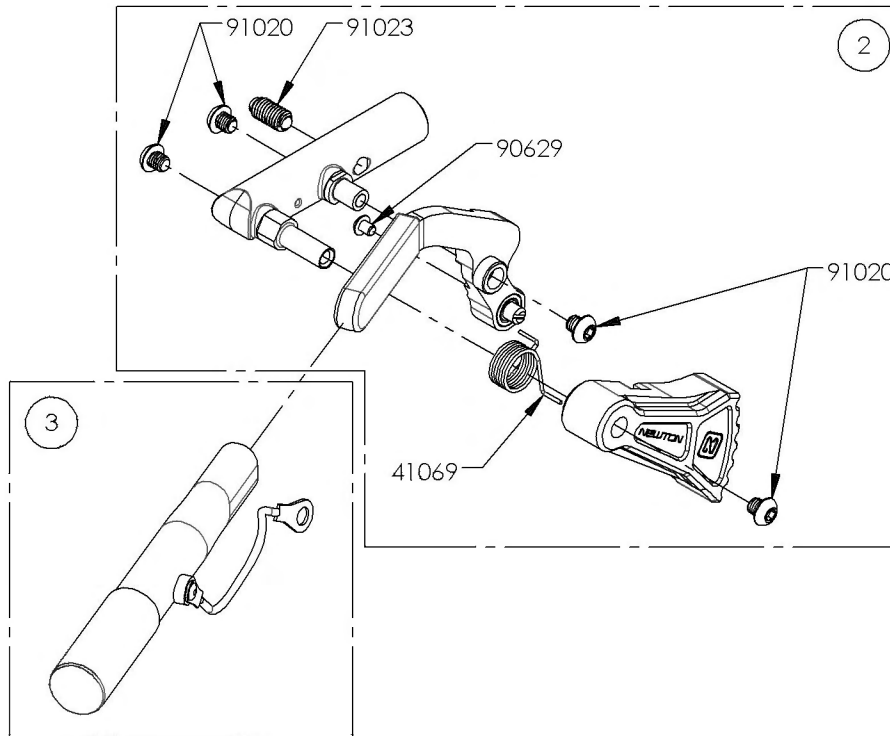
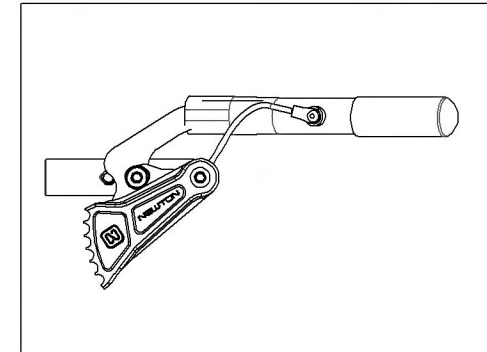
9001583_9001584

Wheel Lock - Newton Grade Aid, Push to lock, 6 in Removable Extension Handle

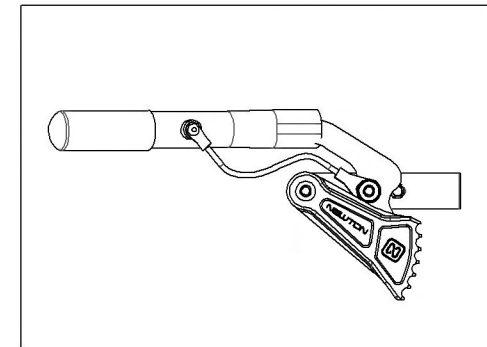
ITEM NO.	PARTNO	DESCRIPTION	9001583 /QTY.	9001584 /QTY.
1	41035	GRADE AID BRAKE RIGHT - ASSEMBLY	1	-
2	41036	GRADE AID BRAKE LEFT - ASSEMBLY	-	1
3	41005	REMOVABLE EXTENSION HANDLE	1	1



9001583
Wheel Lock - Newton Grade Aid, Push to lock, 6 in Removable Extension Handle, Right



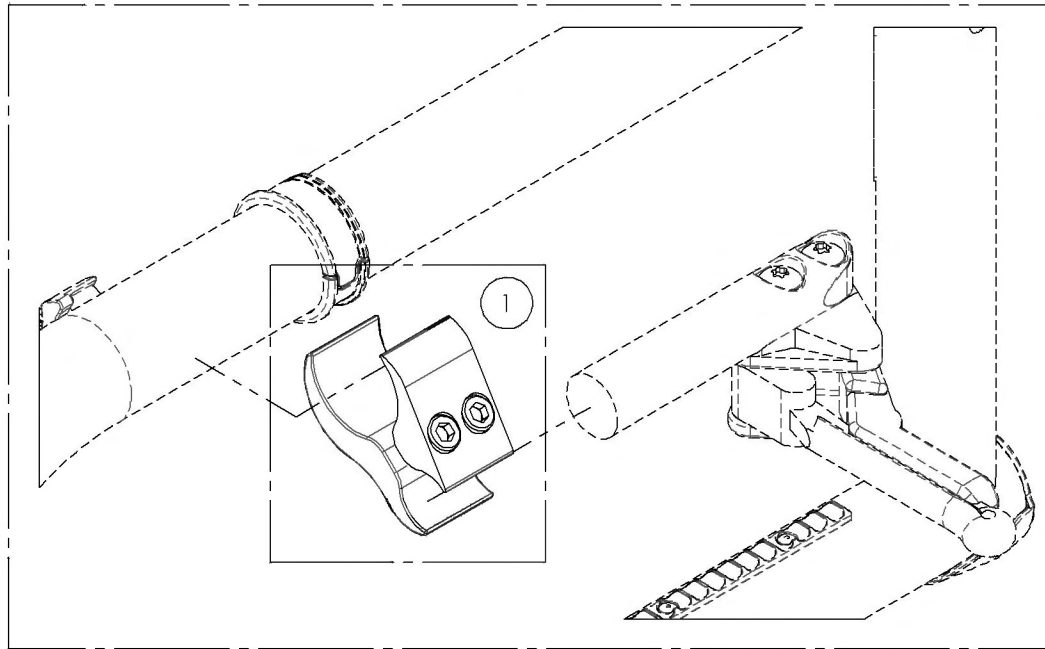
9001584
Wheel Lock - Newton Grade Aid, Push to lock, 6 in Removable Extension Handle, Left



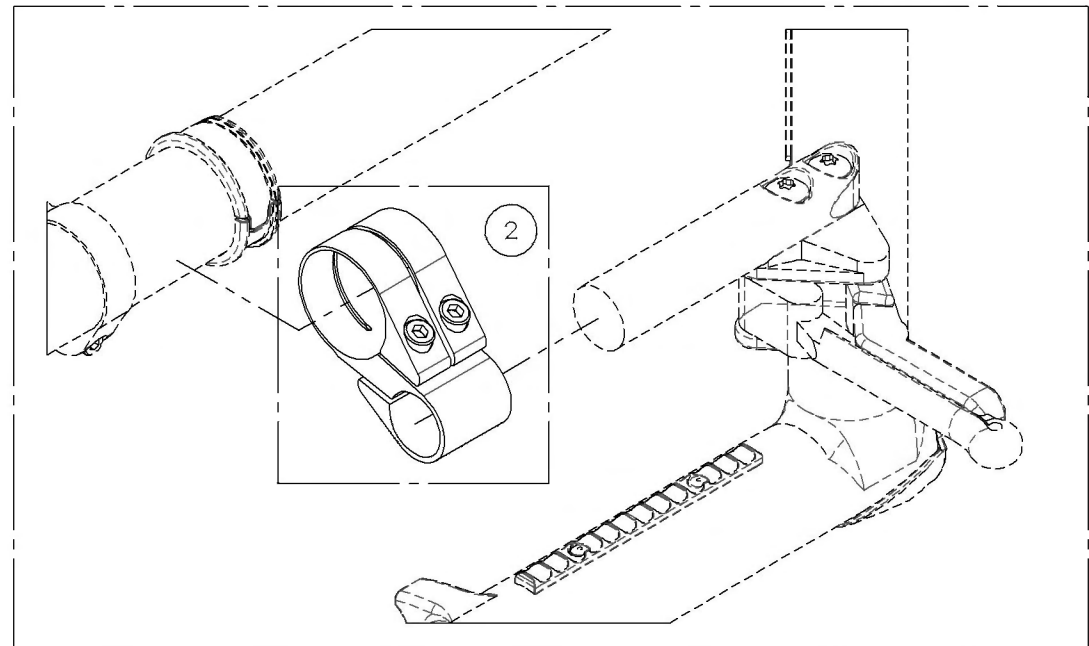
Wheel Lock Catalogue
Wheel Lock - Clamps

ITEM NO.	PARTNO	DESCRIPTION	QTY.
1	9001211	Wheel lock - Two Part Clamp	1
2	9001212	Wheel lock - Ultralight One Part Clamp	1

FOR ALUMINUM FRAME



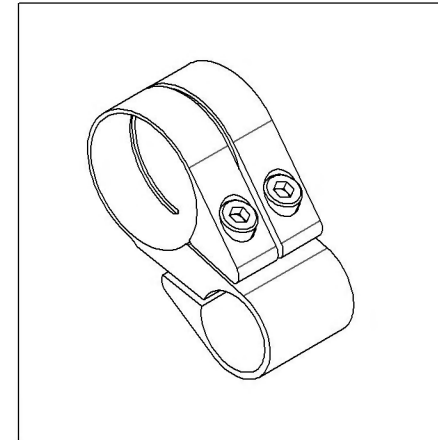
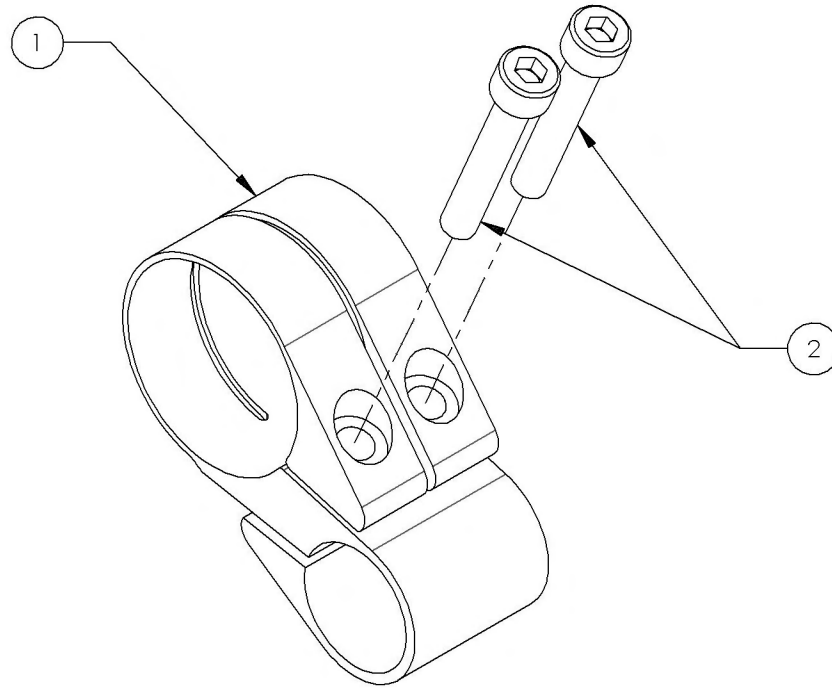
FOR CARBON FRAME



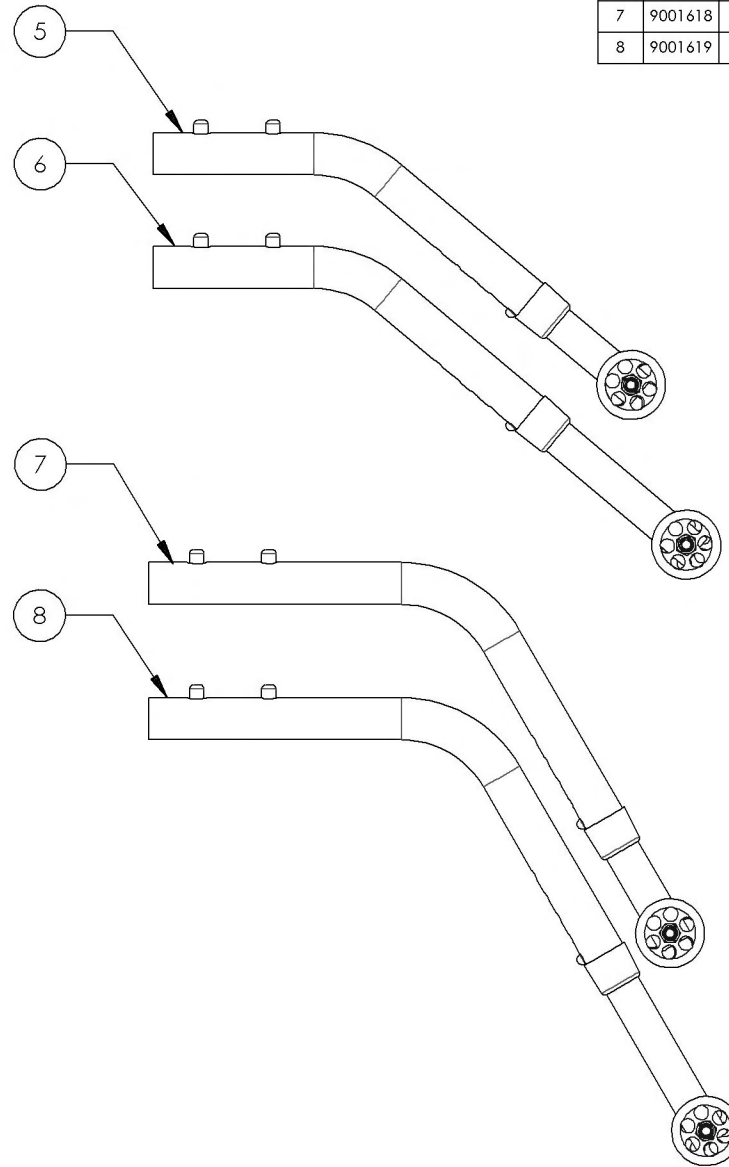
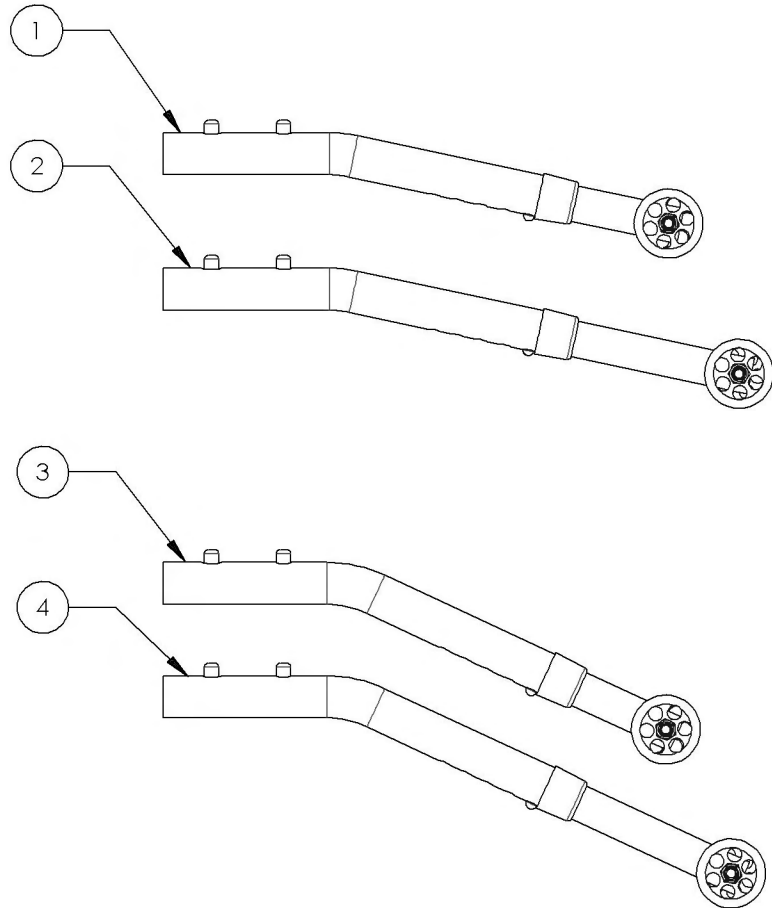
MAKE SURE TO HAVE YOUR SERIAL NUMBER
 NEARBY WHEN ORDERING PARTS FOR YOUR
 MOTION COMPOSITES WHEELCHAIR

9001212
Wheel lock - Ultralight One Part Clamp

ITEM NO.	PARTNO	DESCRIPTION	9001212 /QTY.
1	41017	V2 BRAKE CLAMP	1
2	90752	SOCKET CAP SCREW M5X0.8 X 30mm LONG, 22mm THREADED	2



Accessories Catalogue
Anti-Tippers

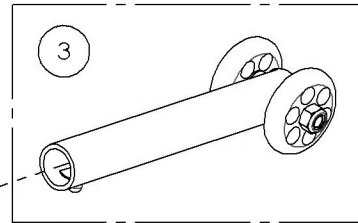
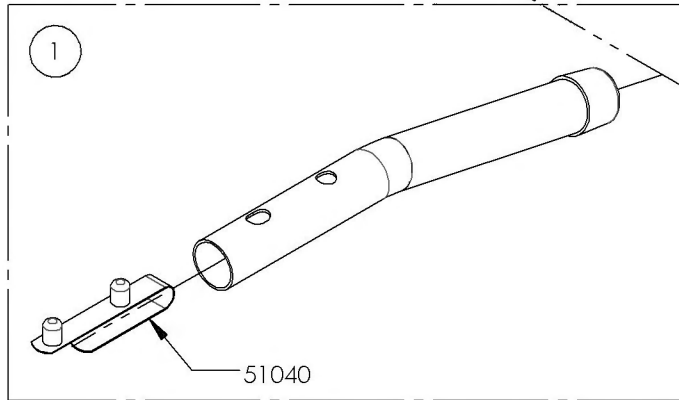
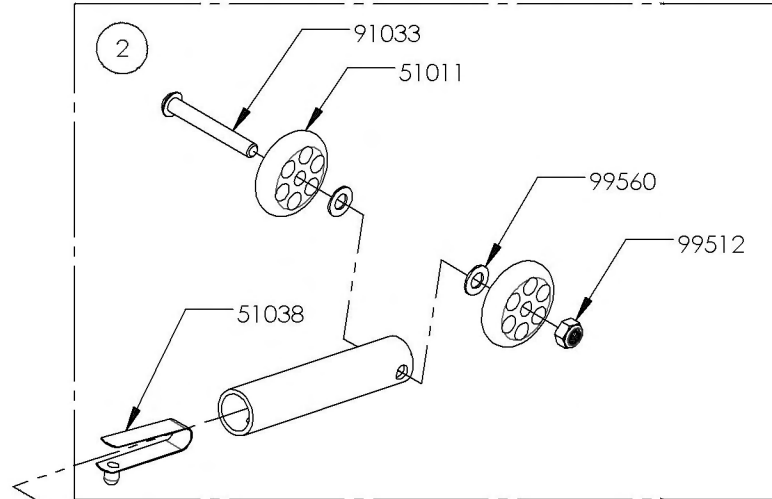


ITEM NO.	PARTNO	DESCRIPTION	QTY.
1	9001620	Anti-Tipper X- Small + Short Extension	1
2	9001621	Anti-Tipper X- Small + Long Extension	1
3	9001614	Anti-Tipper Small + Short Extension	1
4	9001615	Anti-Tipper Small + Long Extension	1
5	9001616	Anti-Tipper Medium + Short Extension	1
6	9001617	Anti-Tipper Medium + Long Extension	1
7	9001618	Anti-Tipper Large + Short Extension	1
8	9001619	Anti-Tipper Large + Long Extension	1

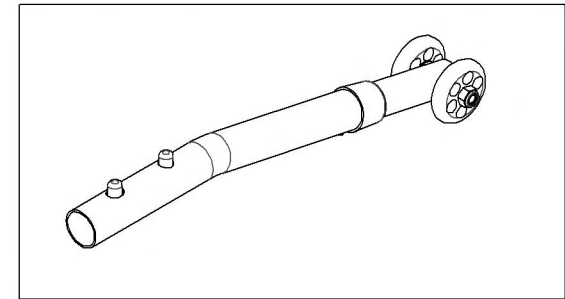
MAKE SURE TO HAVE YOUR SERIAL NUMBER
NEARBY WHEN ORDERING PARTS FOR YOUR
MOTION COMPOSITES WHEELCHAIR

9001620_9001621
Anti-Tipper X- Small + Extension

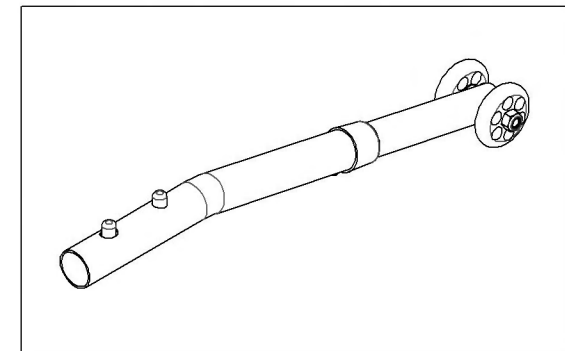
ITEM NO.	PARTNO	DESCRIPTION	9001620 /QTY.	9001621 /QTY.
1	51513	ANTI-TIPPER X-SMALL V2 - ASSEMBLY	1	1
2	51517	ANTI-TIPPER EXTENSION SHORT V2 - ASSEMBLY	1	-
3	51518	ANTI-TIPPER EXTENSION LONG V2 - ASSEMBLY	-	1



9001620
 Anti-Tipper X- Small + Short Extension

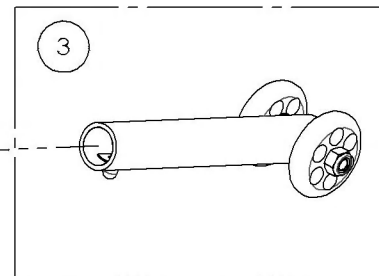
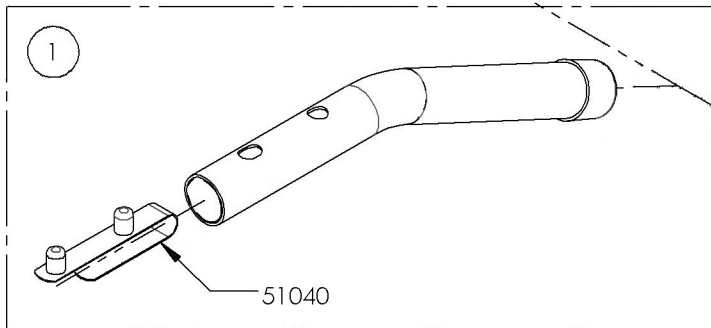
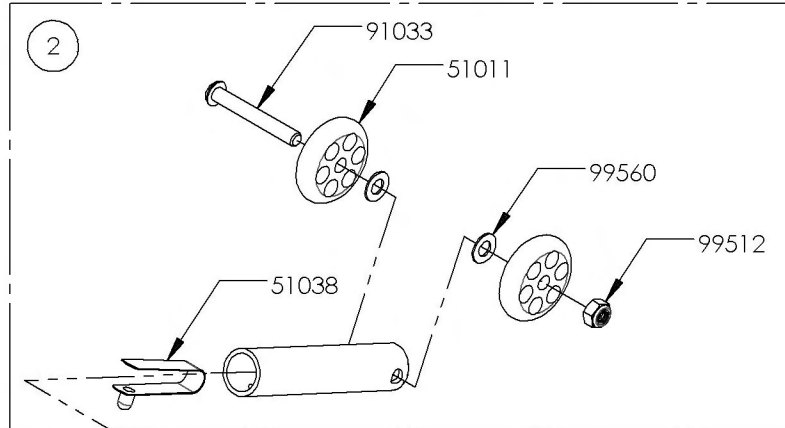


9001621
 Anti-Tipper X- Small + Long Extension

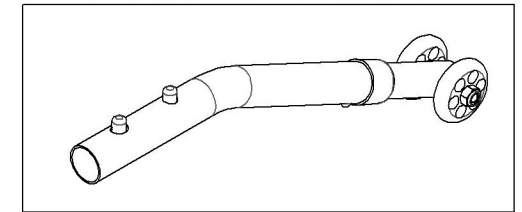


9001614_9001615
Anti-Tipper Small + Extension

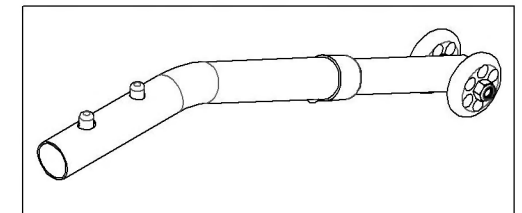
ITEM NO.	PARTNO	DESCRIPTION	9001614 /QTY.	9001615 /QTY.
1	51519	ANTI-TIPPER SMALL V2 - ASSEMBLY	1	1
2	51517	ANTI-TIPPER EXTENSION SHORT V2 - ASSEMBLY	1	-
3	51518	ANTI-TIPPER EXTENSION LONG V2 - ASSEMBLY	-	1



9001614
 Anti-Tipper Small + Short Extension

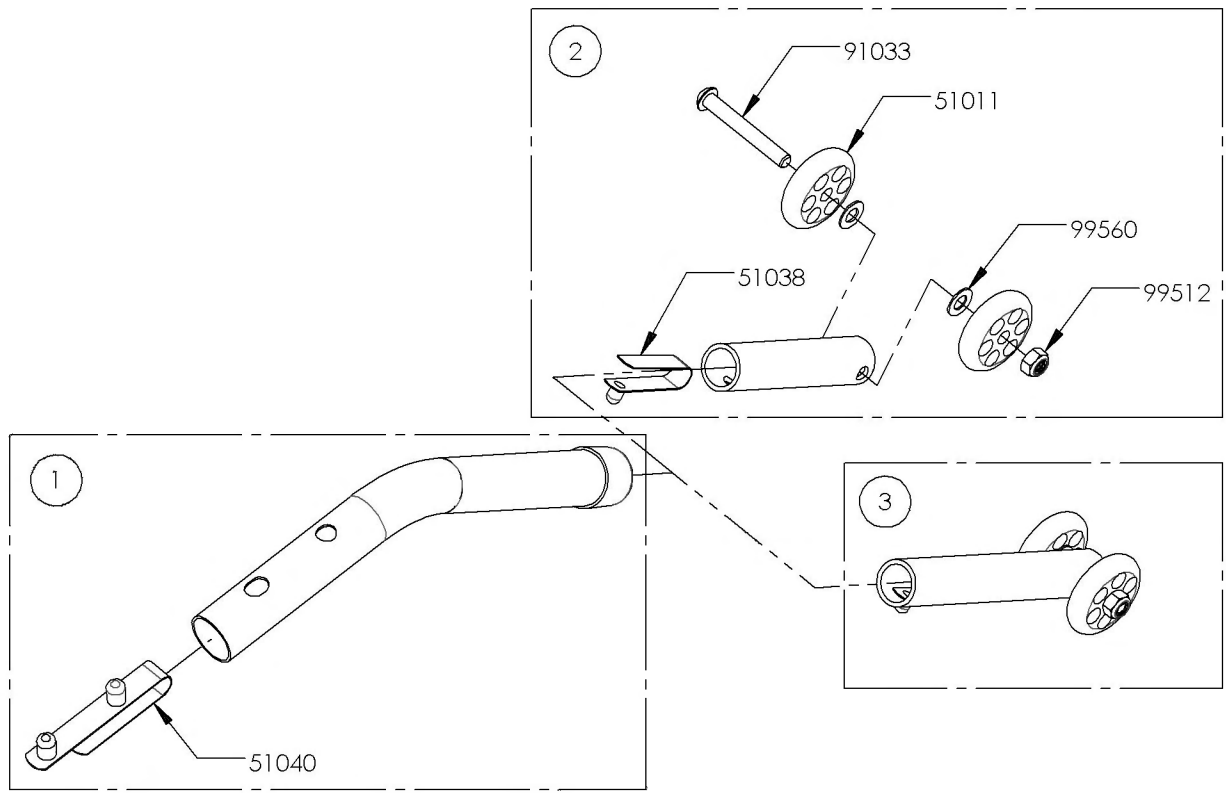


9001615
 Anti-Tipper Small + Long Extension

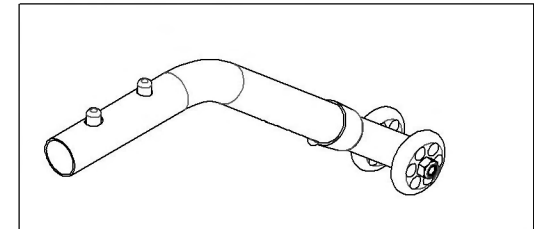


9001616_9001617
Anti-Tipper Medium + Extension

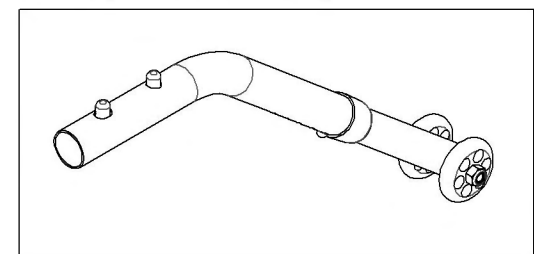
ITEM NO.	PARTNO	DESCRIPTION	9001616 /QTY.	9001617 /QTY.
1	51520	ANTI-TIPPER MEDIUM V2 - ASSEMBLY	1	1
2	51517	ANTI-TIPPER EXTENSION SHORT V2 - ASSEMBLY	1	-
3	51518	ANTI-TIPPER EXTENSION LONG V2 - ASSEMBLY	-	1



9001616
 Anti-Tipper Medium + Short Extension

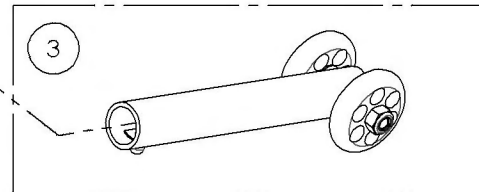
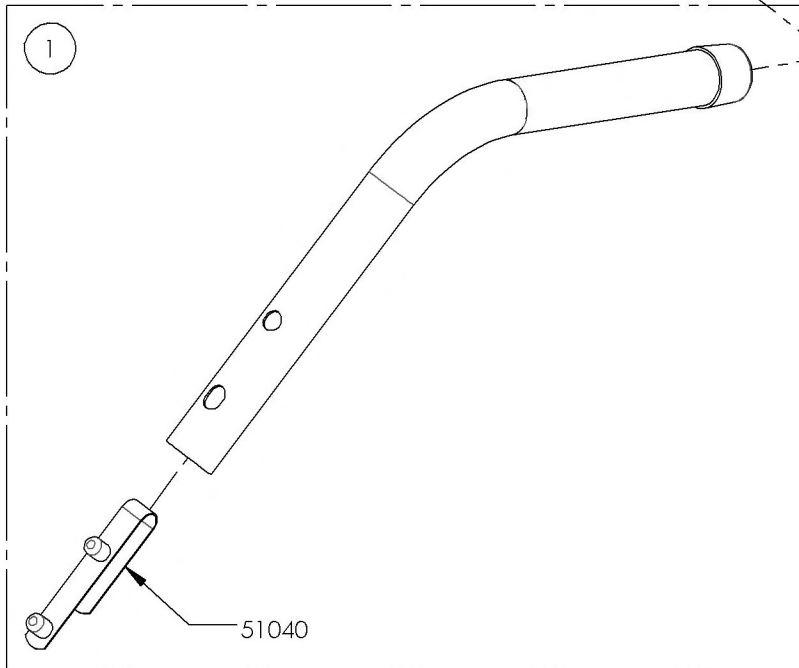
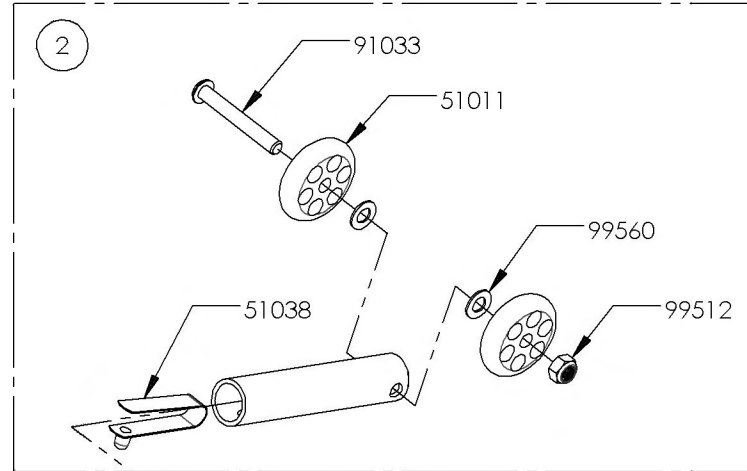


9001617
 Anti-Tipper Medium + Long Extension

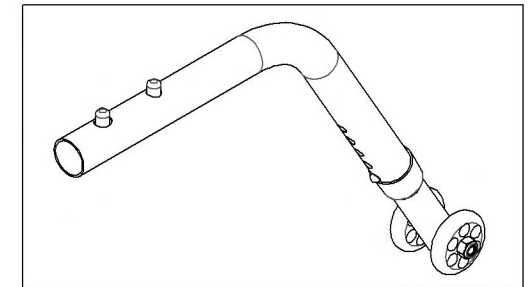


9001618_9001619
Anti-Tipper Large + Extension

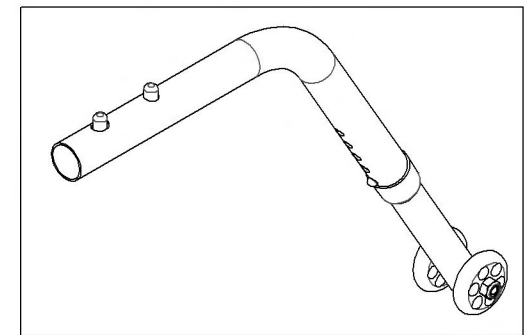
ITEM NO.	PARTNO	DESCRIPTION	9001618 /QTY.	9001619 /QTY.
1	51521	ANTI-TIPPER LARGE V2 - ASSEMBLY	1	1
2	51517	ANTI-TIPPER EXTENSION SHORT V2 - ASSEMBLY	1	-
3	51518	ANTI-TIPPER EXTENSION LONG V2 - ASSEMBLY	-	1



9001618
 Anti-Tipper Large + Short Extension



9001619
 Anti-Tipper Large + Long Extension



Accessories Catalogue
Army Patches

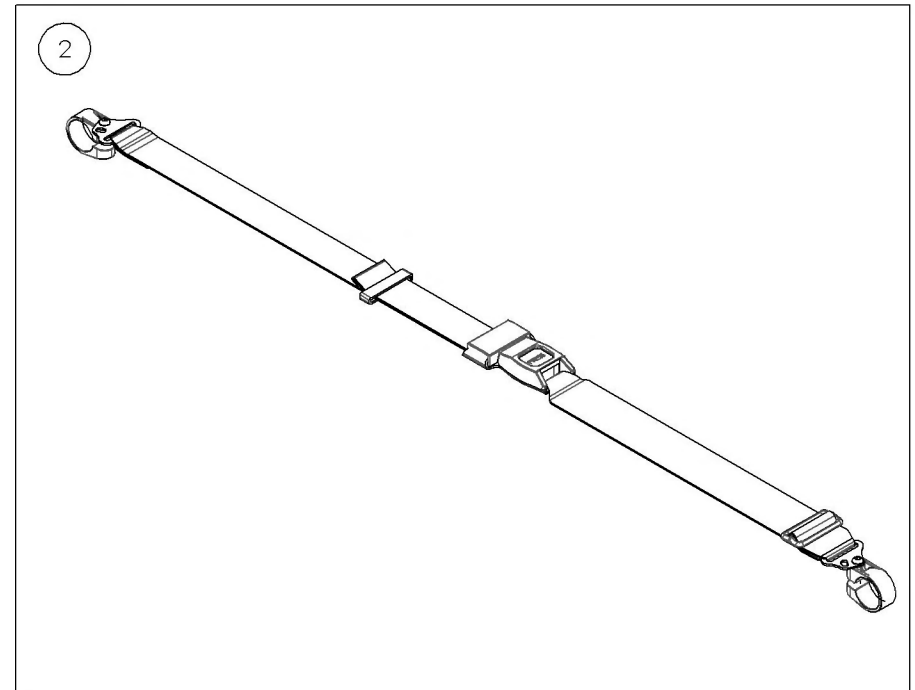
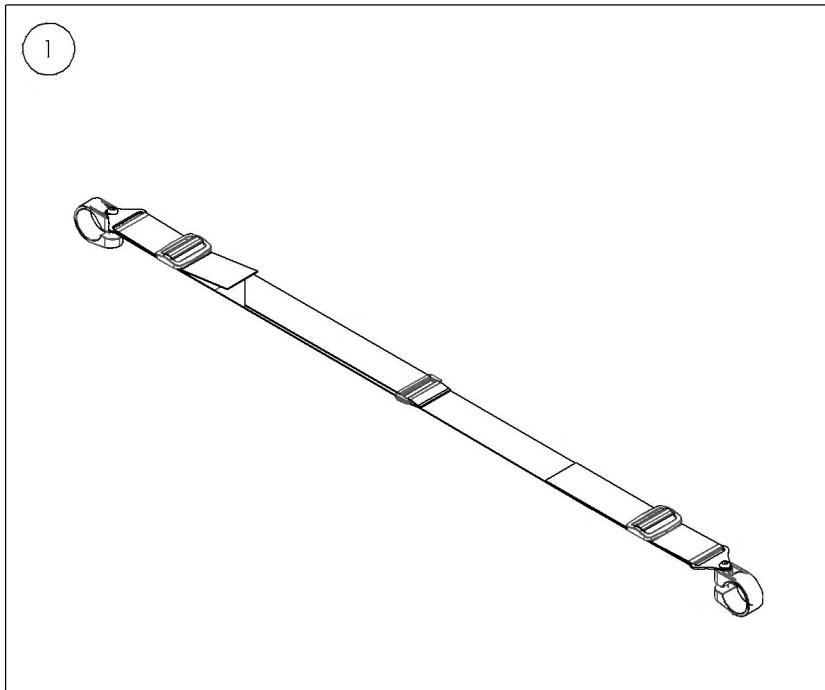
ITEM NO.	PARTNO	DESCRIPTION	QTY.
1	9002230	Army Patch - Army	1
2	9002231	Army Patch - Navy	1
3	9002232	Army Patch - Air Force	1
4	9002233	Army Patch - Marines	1
5	9002234	Army Patch - Combat Wounded Purple Heart	1



MAKE SURE TO HAVE YOUR SERIAL NUMBER NEARBY WHEN ORDERING PARTS FOR YOUR MOTION COMPOSITES WHEELCHAIR

Accessories Catalogue
Positioning Seatbelts

ITEM NO.	PARTNO	DESCRIPTION	QTY.
1	9001587	Positioning Seatbelt	1
2	9001588	Positioning Seatbelt - Auto Buckle	1



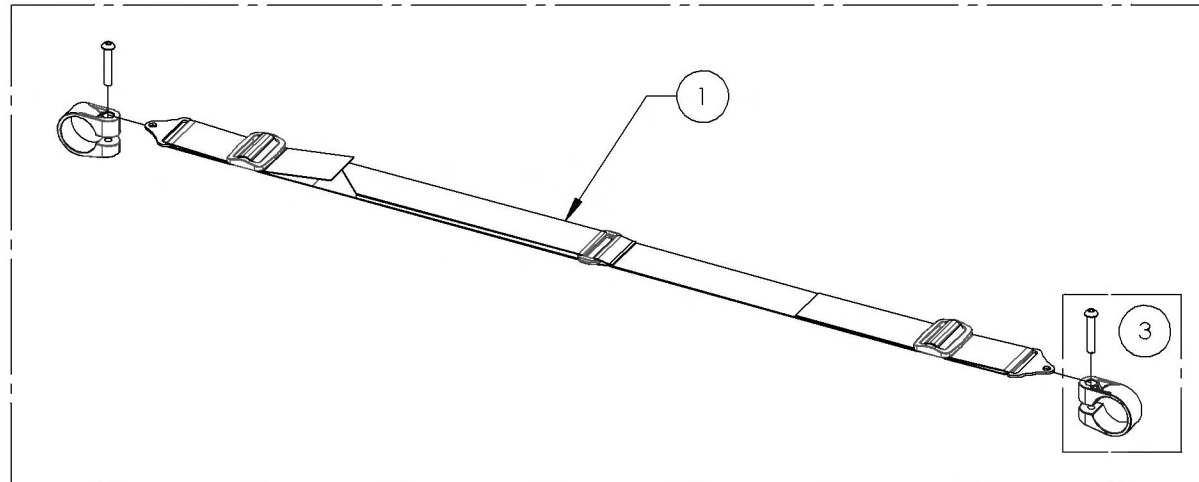
BOTH ITEMS ALREADY INCLUDE THE APPROPRIATE
NUMBER OF COMPOSITE CLAMPS

MAKE SURE TO HAVE YOUR SERIAL NUMBER
NEARBY WHEN ORDERING PARTS FOR YOUR
MOTION COMPOSITES WHEELCHAIR

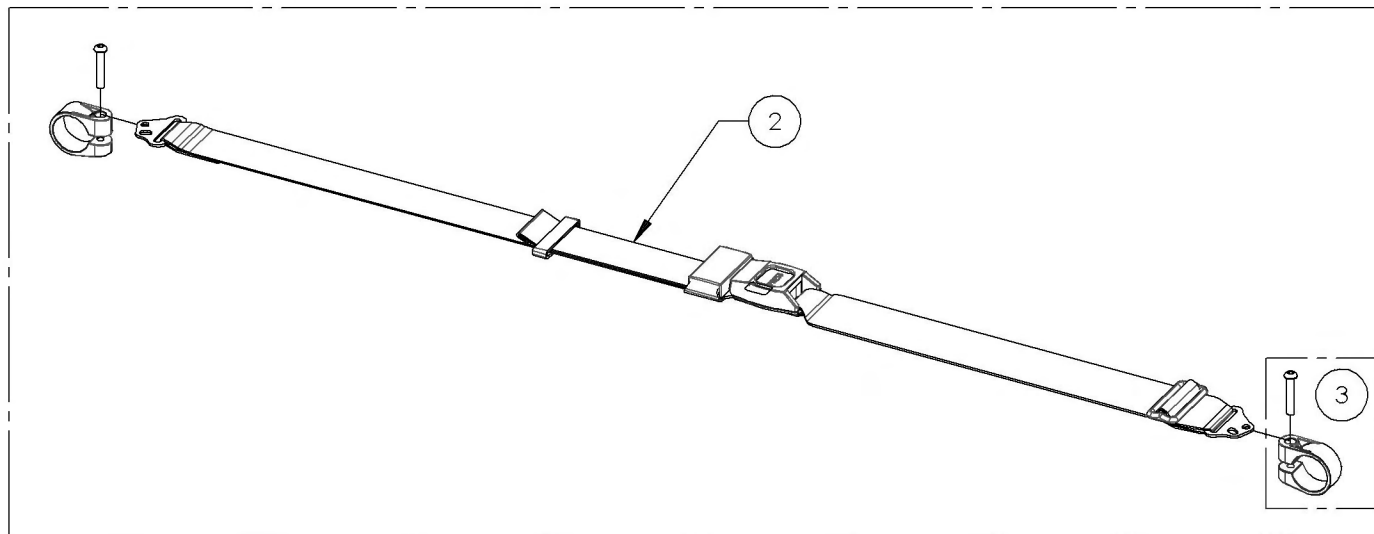
**9001587_9001588
Positioning Seatbelts**

ITEM NO.	PARTNO	DESCRIPTION	9001588 /QTY.	9001587 /QTY.
1	51024	VELCRO BELT	-	1
2	51027	AUTO BUCKLE	1	-
3	60500	FRAME SAVER ASSEMBLY (PAIR)	1	1

9001587
Positioning Seatbelt



9001588
Positioning Seatbelt - Auto Buckle



Accessories Catalogue
Positioning Seatbelts - Bodypoint 2 And 4 Points

ITEM NO.	PARTNO	DESCRIPTION	QTY.
1	9002221	Positioning Seatbelt - Bodypoint 2, Non Padded, Medium	1
2	9002222	Positioning Seatbelt - Bodypoint 2, Non Padded, Large	1
3	9002223	Positioning Seatbelt - Bodypoint 2, Padded, Small	1
4	9002224	Positioning Seatbelt - Bodypoint 2, Padded, Medium	1
5	9002225	Positioning Seatbelt - Bodypoint 2, Padded, Large	1
6	9002226	Positioning Seatbelt - Bodypoint 4, Padded, Small	1
7	9002227	Positioning Seatbelt - Bodypoint 4, Padded, Medium	1
8	9002228	Positioning Seatbelt - Bodypoint 4 Point, Padded, Large	1



ITEMS 1-8 ALREADY INCLUDE THE APPROPRIATE
 NUMBER OF COMPOSITE CLAMPS

MAKE SURE TO HAVE YOUR SERIAL NUMBER
 NEARBY WHEN ORDERING PARTS FOR YOUR
 MOTION COMPOSITES WHEELCHAIR

**9002221_9002228
Positioning Seatbelts - Bodypoint**

ITEM NO.	PARTNO	DESCRIPTION	9002221 /QTY.	9002222 /QTY.	9002223 /QTY.	9002224 /QTY.	9002225 /QTY.	9002226 /QTY.	9002227 /QTY.	9002228 /QTY.	REPLACEMENT PART/QTY.
1	51131	POSITIONING SEATBELT - BODYPOINT 2 POINT, NON PADDED MEDIUM	1	-	-	-	-	-	-	-	-
2	51211	POSITIONING SEATBELT - BODYPOINT 2 POINT, NON PADDED LARGE	-	1	-	-	-	-	-	-	-
3	51132	POSITIONING SEATBELT - BODYPOINT 2 POINT, PADDED SMALL	-	-	1	-	-	-	-	-	-
4	51133	POSITIONING SEATBELT - BODYPOINT 2 POINT, PADDED MEDIUM	-	-	-	1	-	-	-	-	-
5	51134	POSITIONING SEATBELT - BODYPOINT 2 POINT, PADDED LARGE	-	-	-	-	1	-	-	-	-
6	51212	POSITIONING SEATBELT - BODYPOINT 4 POINT, PADDED SMALL	-	-	-	-	-	1	-	-	-
7	51135	POSITIONING SEATBELT - BODYPOINT 4 POINT, PADDED MEDIUM	-	-	-	-	-	-	1	-	-
8	51136	POSITIONING SEATBELT - BODYPOINT 4 POINT, PADDED LARGE	-	-	-	-	-	-	-	1	-
9	60500	FRAME SAVER ASSEMBLY (PAIR)	1	1	1	1	1	2	2	2	1

9002221 To 9002222
Positioning Seatbelt - Bodypoint 2 Point,
Non Padded, Medium, Large



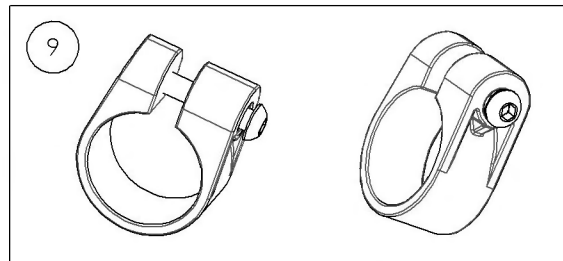
9002223 To 9002225
Positioning Seatbelt - Bodypoint 2 Point,
Padded, Small, Medium, Large



9002226 To 9002228
Positioning Seatbelt - Bodypoint 4 Point,
Padded, Small, Medium, Large

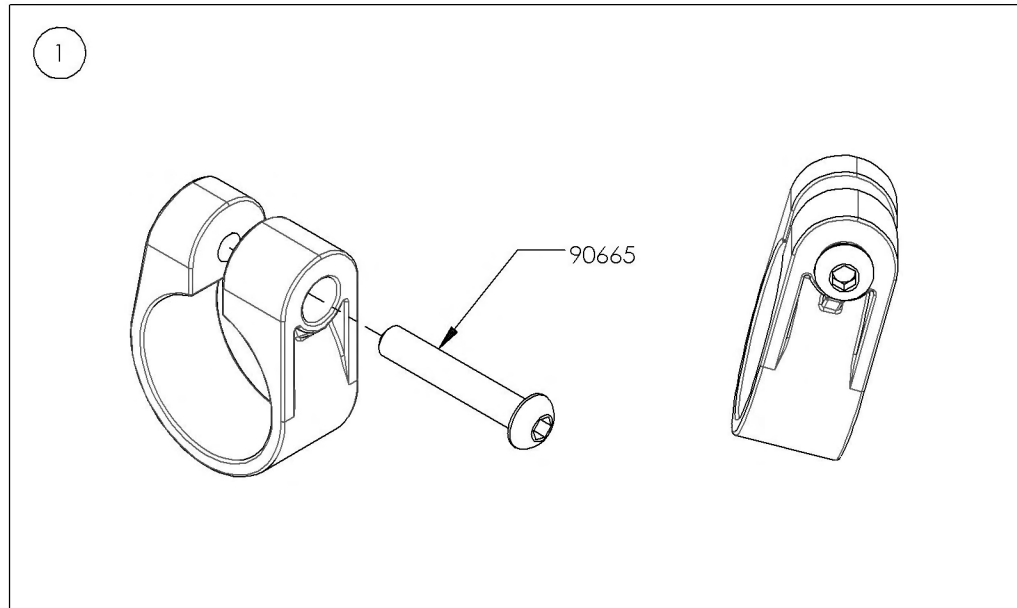


+



Accessories Catalogue
Positioning Seatbelts - Additional Hardware (2 Composite Clamps)

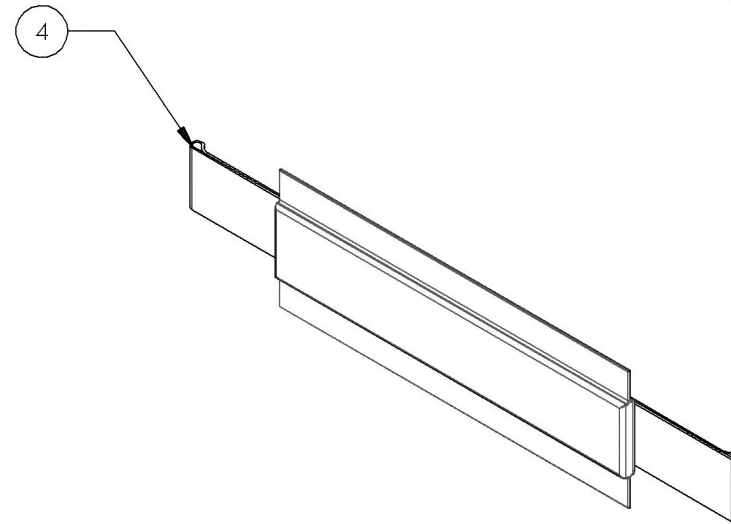
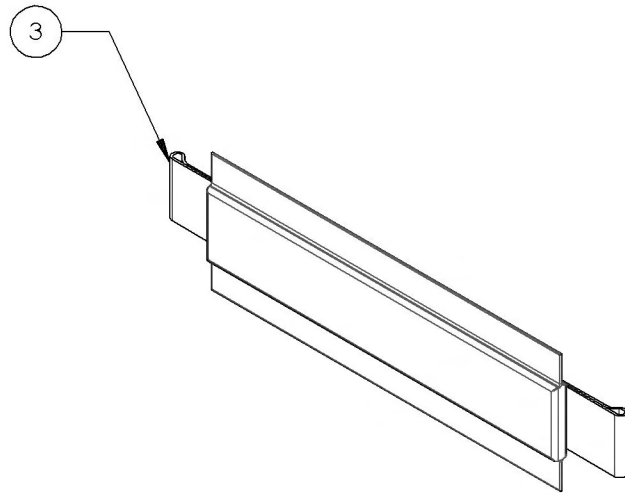
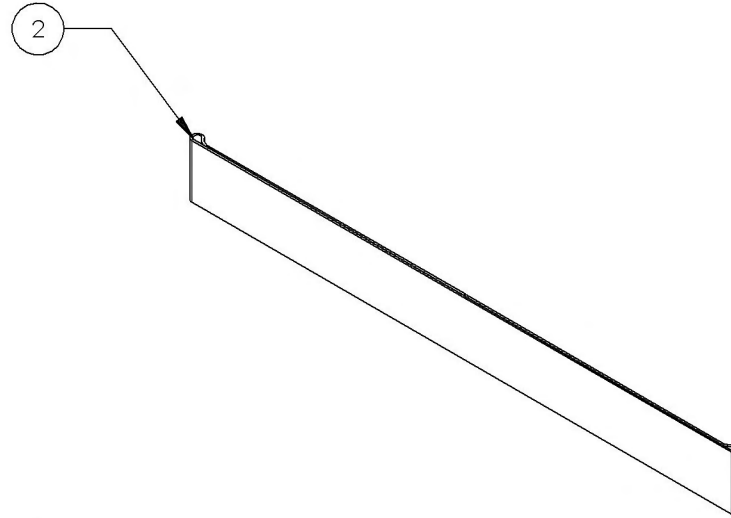
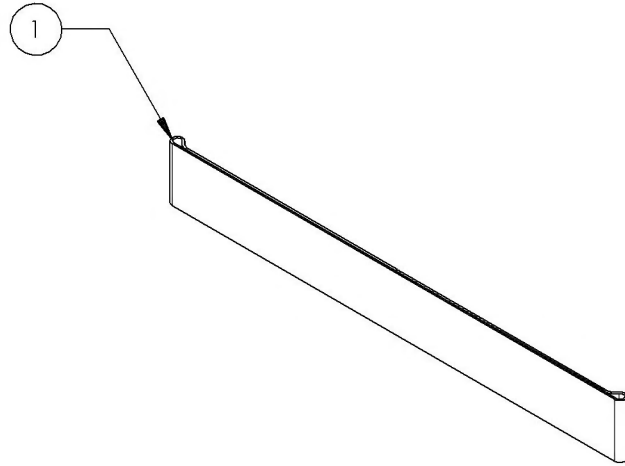
ITEM NO.	PARTNO	DESCRIPTION	QTY.
1	9002220	Positioning Seatbelt - Additional Hardware (2 Composite Clamps)	1



MAKE SURE TO HAVE YOUR SERIAL NUMBER
NEARBY WHEN ORDERING PARTS FOR YOUR
MOTION COMPOSITES WHEELCHAIR

Accessories Catalogue
Calf Straps

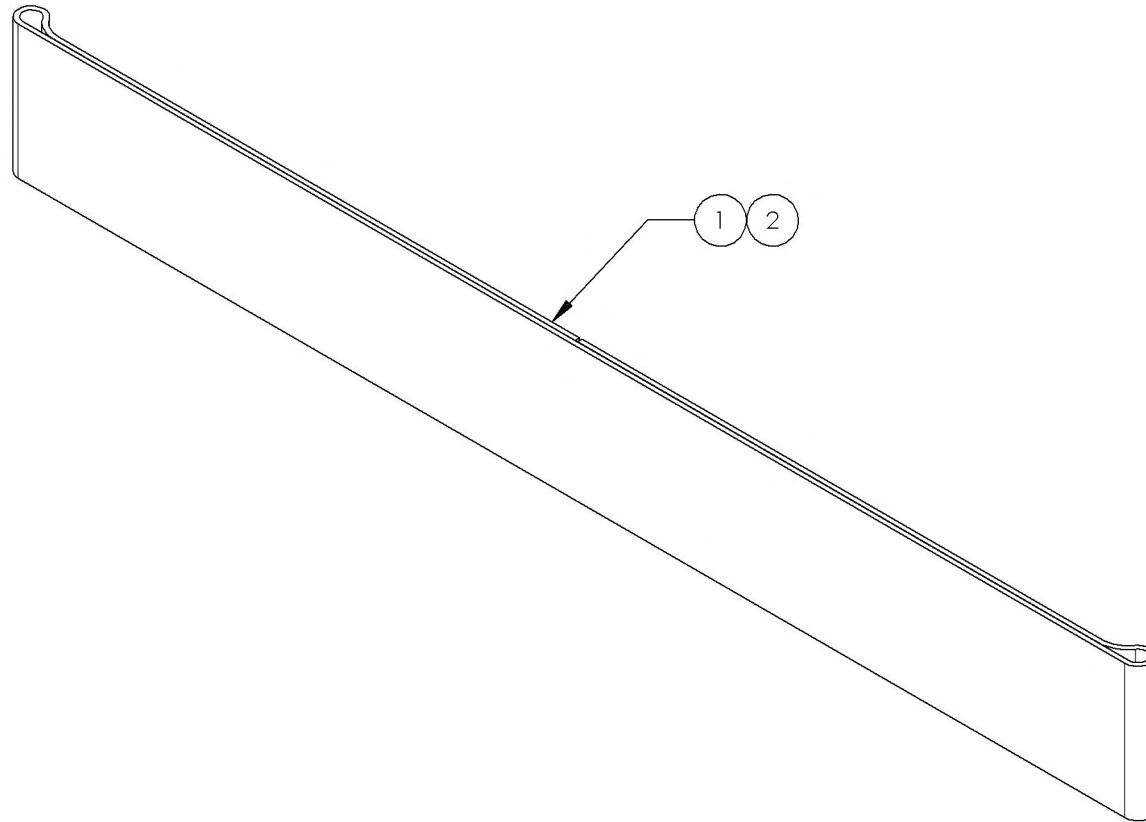
ITEM NO.	PARTNO	DESCRIPTION	QTY.
1	9001412	Calf Strap - Non Padded (Wheelchair Width: 15 to 17 in)	1
2	9001413	Calf Strap - Non Padded (Wheelchair Width: 18 to 20 in)	1
3	9001414	Calf Strap - Padded (Wheelchair Width: 15 to 17 in)	1
4	9001415	Calf Strap - Padded (Wheelchair Width: 18 to 20 in)	1



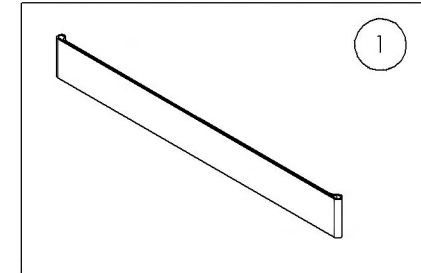
MAKE SURE TO HAVE YOUR SERIAL NUMBER
 NEARBY WHEN ORDERING PARTS FOR YOUR
 MOTION COMPOSITES WHEELCHAIR

9001412_9001413
Calf Straps - Non Padded

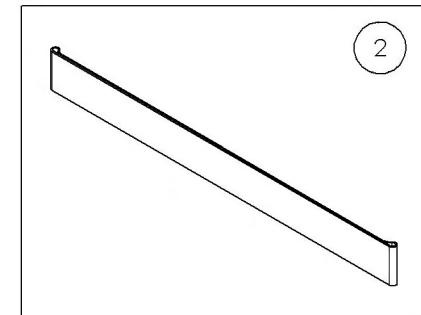
ITEM NO.	PARTNO	DESCRIPTION	9001412 /QTY.	9001413 /QTY.
1	31046	CALF STRAP 15"-17"	1	-
2	31047	CALF STRAP 18"-20"	-	1



9001412
 Calf Strap - Non Padded
 (Wheelchair Width: 15 to 17 in)

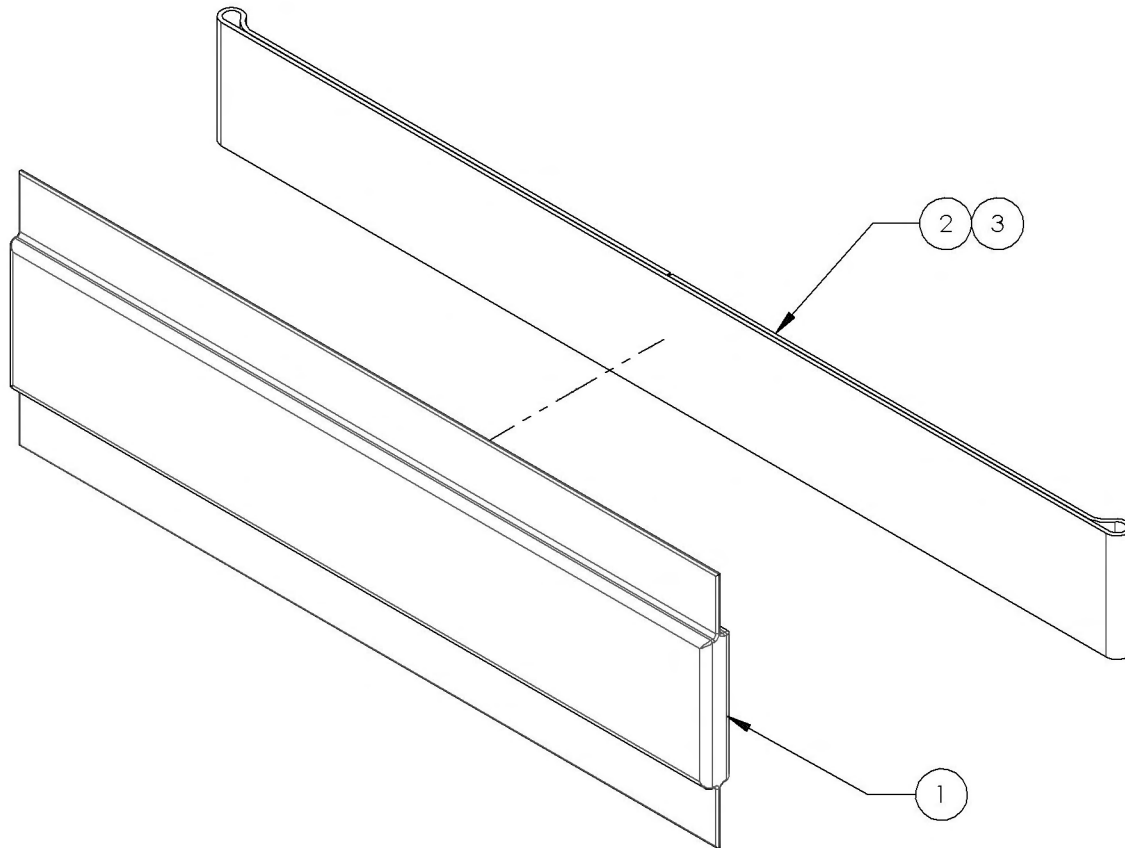


9001413
 Calf Strap - Non Padded
 (Wheelchair Width: 18 to 20 in)

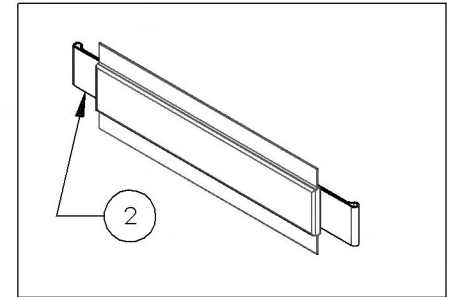


9001414_9001415
Calf Straps - Padded

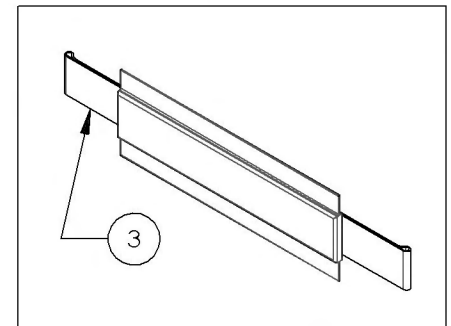
ITEM NO.	PARTNO	DESCRIPTION	9001414 /QTY.	9001415 /QTY.
1	31061	PADDED CALF PAD	1	1
2	31046	CALF STRAP 15"-17"	1	-
3	31047	CALF STRAP 18"-20"	-	1



9001414
 Calf Strap - Padded (Wheelchair
 Width: 15 to 17 in)

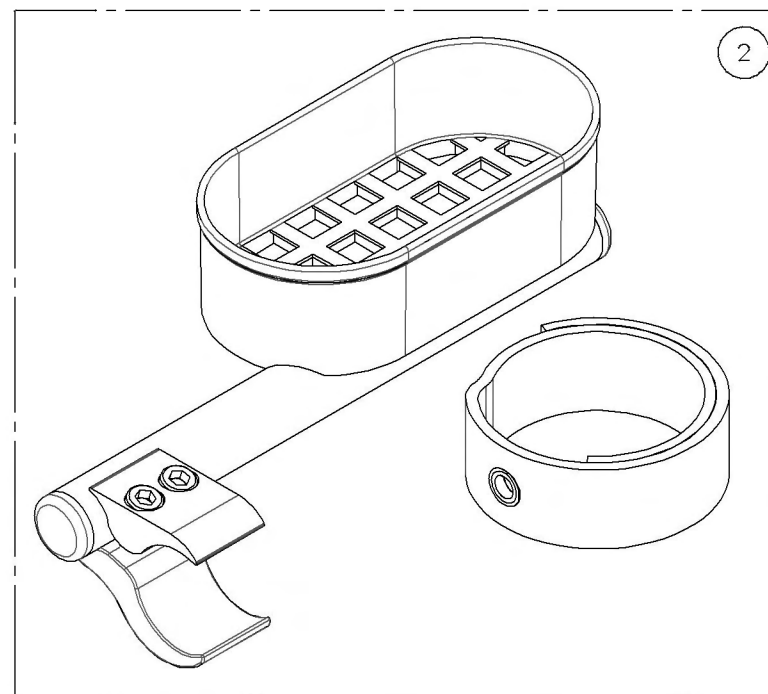
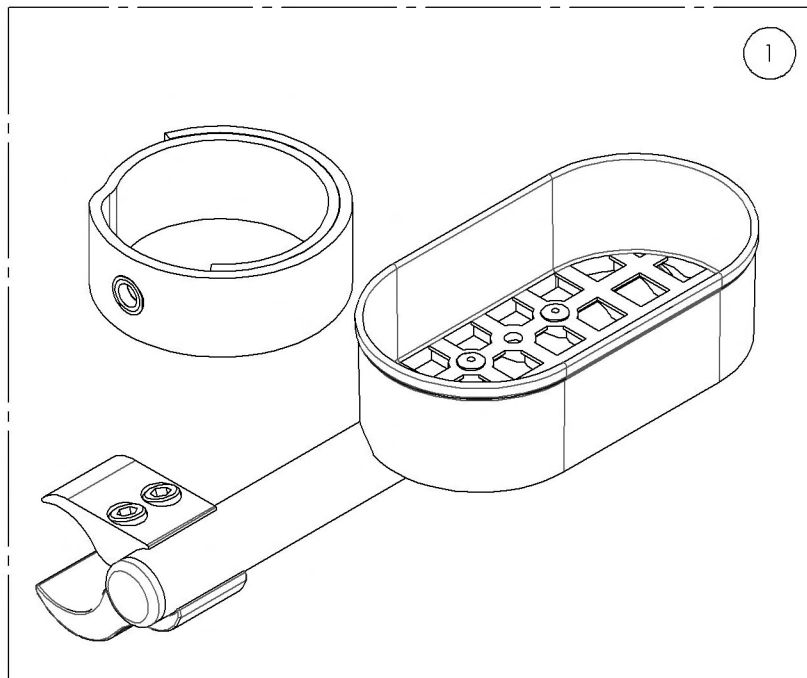


9001415
 Calf Strap - Padded (Wheelchair
 Width: 18 to 20 in)



Accessories Catalogue
Cane Holders

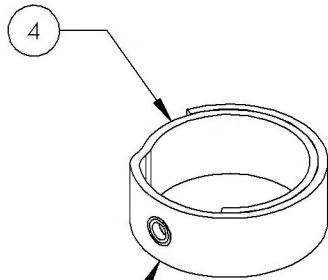
ITEM NO.	PARTNO	DESCRIPTION	QTY.
1	9001627	Cane Holder - Right	1
2	9001628	Cane Holder - Left	1



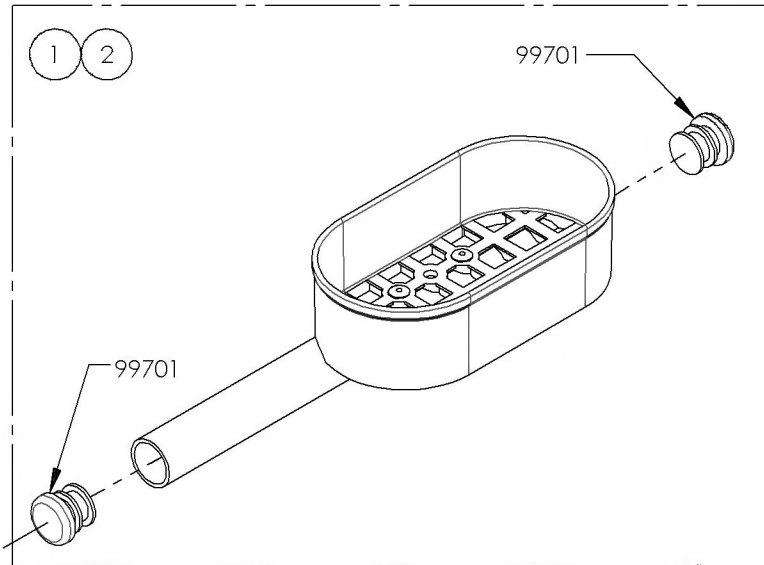
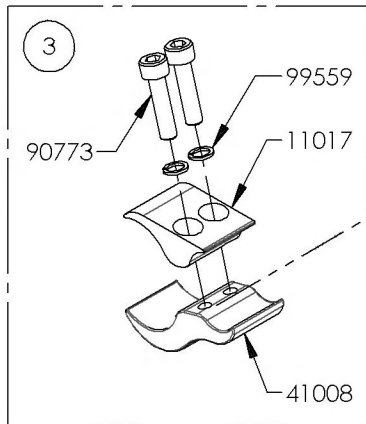
MAKE SURE TO HAVE YOUR SERIAL NUMBER
NEARBY WHEN ORDERING PARTS FOR YOUR
MOTION COMPOSITES WHEELCHAIR

**9001627_9001628
Cane Holders**

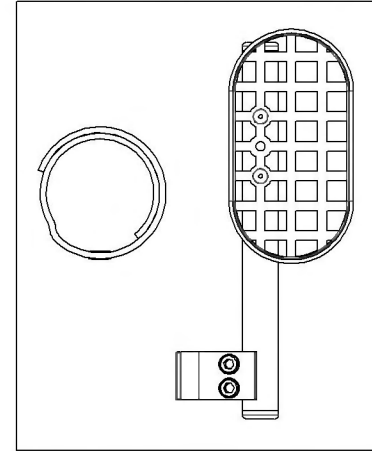
ITEM NO.	PARTNO	DESCRIPTION	9001628 /QTY.	9001627 /QTY.
1	51505	CANE HOLDER RIGHT - ASSEMBLY	-	1
2	51506	CANE HOLDER LEFT - ASSEMBLY	1	-
3	41501	BRAKE CLAMP	1	1
4	51023	CANE HOLDER STRAP	1	1



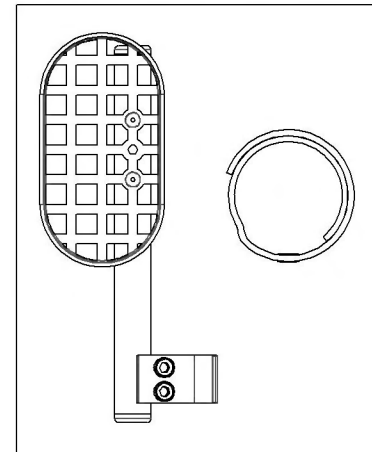
FIXED ON THE BACK
OF THE BACK-CANE



9001627 - Cane Holder - Right



9001628 - Cane Holder - Left



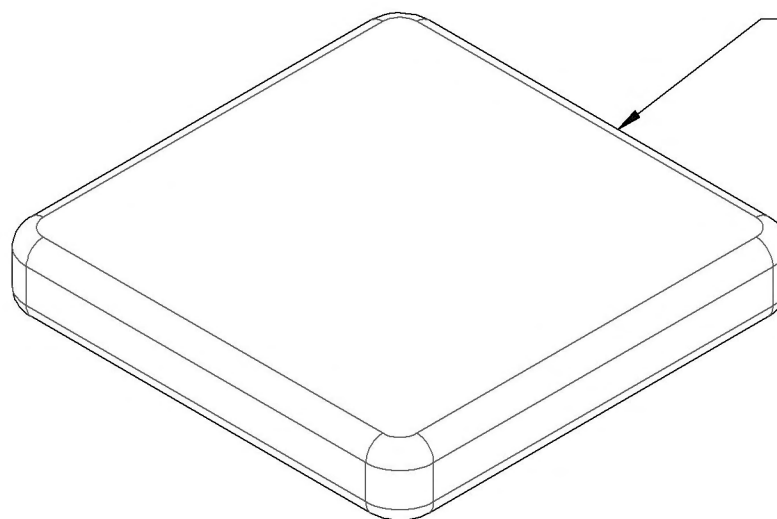
Accessories Catalogue Closing Straps

ITEM NO.	PARTNO	DESCRIPTION	QTY.
1	9001642	Closing Strap - For Sliding Seat Sling	1
2	9001641	Closing Strap - For Seat Sling With Screw	1

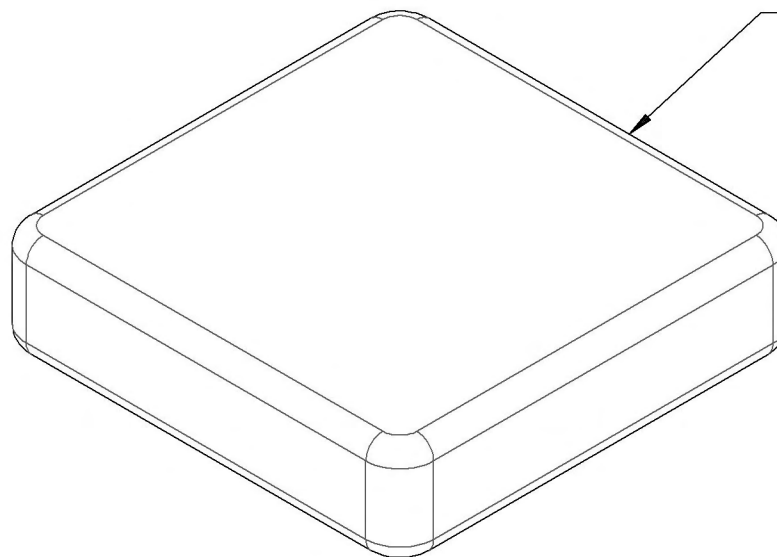


MAKE SURE TO HAVE YOUR SERIAL NUMBER
NEARBY WHEN ORDERING PARTS FOR YOUR
MOTION COMPOSITES WHEELCHAIR

**Accessories Catalogue
Cushions**



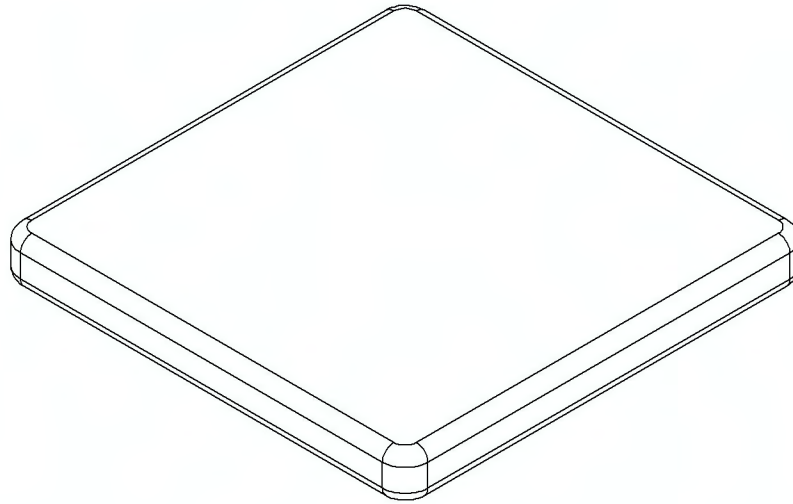
2" CUSHIONS
REFER TO ITEM
#9001934_9002032
LENGTH & WIDTH



3" CUSHIONS
REFER TO ITEM
#9002033_9002131
LENGTH & WIDTH

MAKE SURE TO HAVE YOUR SERIAL NUMBER
NEARBY WHEN ORDERING PARTS FOR YOUR
MOTION COMPOSITES WHEELCHAIR

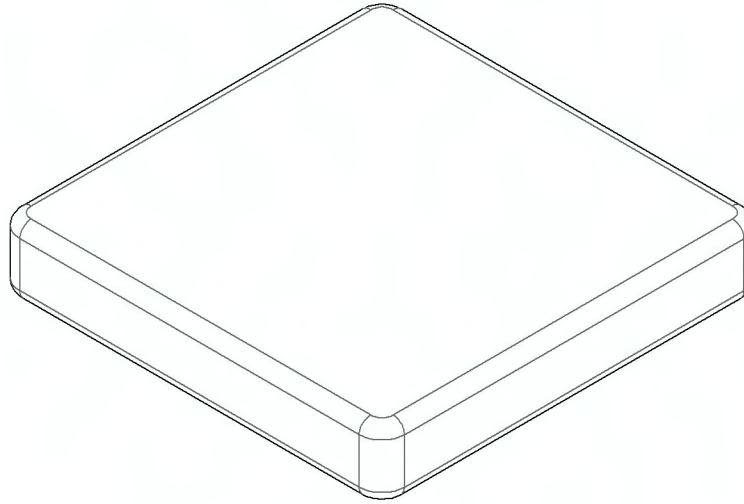
9001934_9002032
Cushion - 2 in (Specify Size)



2 in CUSHIONS PART NUMBERS FOR THE APPROPRIATE LENGTH AND WIDTH

		LENGTH in inches (cm)								
		12 (30.5)	13 (33.0)	14 (35.6)	15 (38.1)	16 (40.6)	17 (43.2)	18 (45.7)	19 (48.3)	20 (50.8)
WIDTH in inches (cm)	12 (30.5)	9001934	9001935	9001936	9001937	9001938	9001939	9001940	9001941	9001942
	13 (33.0)	9001943	9001944	9001945	9001946	9001947	9001948	9001949	9001950	9001951
	14 (35.6)	9001952	9001953	9001954	9001955	9001956	9001957	9001958	9001959	9001960
	15 (38.1)	9001961	9001962	9001963	9001964	9001965	9001966	9001967	9001968	9001969
	16 (40.6)	9001970	9001971	9001972	9001973	9001974	9001975	9001976	9001977	9001978
	17 (43.2)	9001979	9001980	9001981	9001982	9001983	9001984	9001985	9001986	9001987
	18 (45.7)	9001988	9001989	9001990	9001991	9001992	9001993	9001994	9001995	9001996
	19 (48.3)	9001997	9001998	9001999	9002000	9002001	9002002	9002003	9002004	9002005
	20 (50.8)	9002006	9002007	9002008	9002009	9002010	9002011	9002012	9002013	9002014
	21 (53.3)	9002015	9002016	9002017	9002018	9002019	9002020	9002021	9002022	9002023
22 (55.9)	9002024	9002025	9002026	9002027	9002028	9002029	9002030	9002031	9002032	

9002033_9002131
Cushion - 3 in (Specify Size)

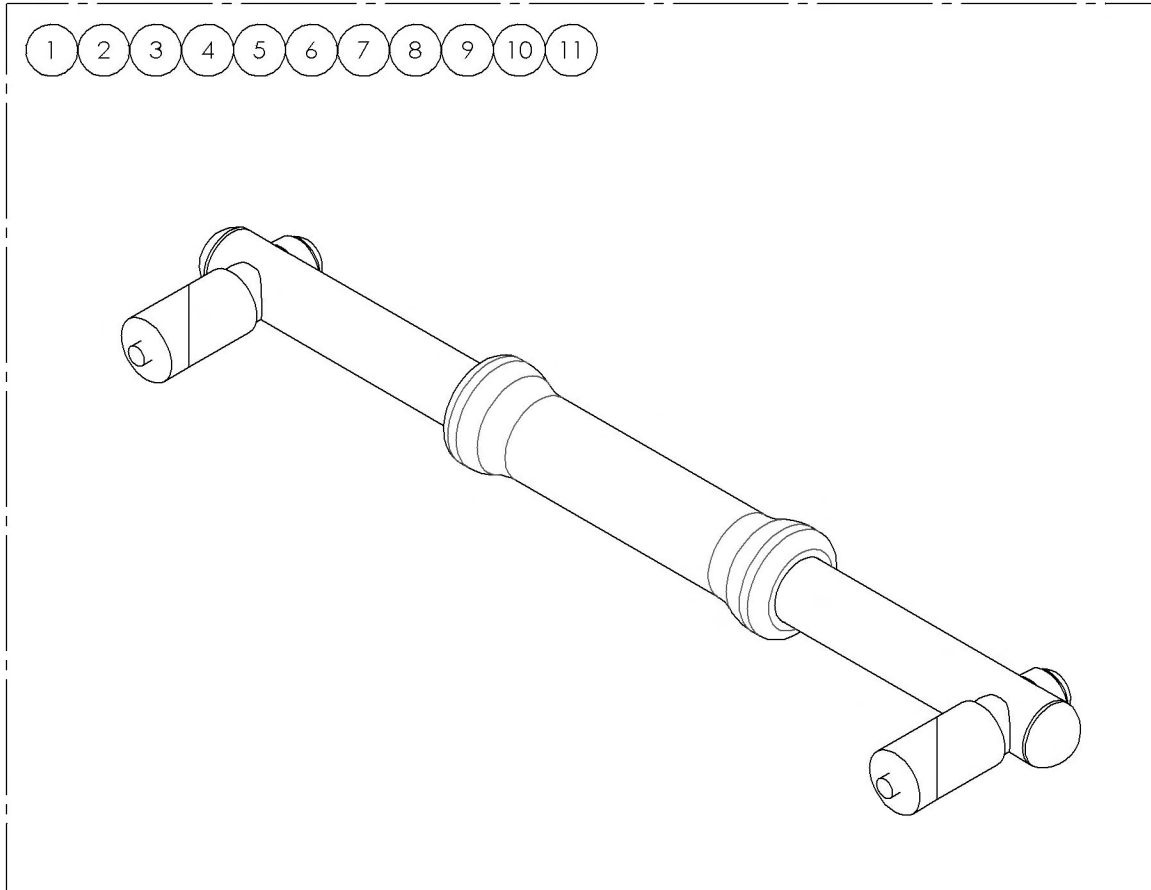


3 in CUSHIONS PART NUMBERS FOR THE APPROPRIATE LENGTH AND WIDTH

		LENGTH in inches (cm)								
		12 (30.5)	13 (33.0)	14 (35.6)	15 (38.1)	16 (40.6)	17 (43.2)	18 (45.7)	19 (48.3)	20 (50.8)
WIDTH in inches (cm)	12 (30.5)	9002033	9002034	9002035	9002036	9002037	9002038	9002039	9002040	9002041
	13 (33.0)	9002042	9002043	9002044	9002045	9002046	9002047	9002048	9002049	9002050
	14 (35.6)	9002051	9002052	9002053	9002054	9002055	9002056	9002057	9002058	9002059
	15 (38.1)	9002060	9002061	9002062	9002063	9002064	9002065	9002066	9002067	9002068
	16 (40.6)	9002069	9002070	9002071	9002072	9002073	9002074	9002075	9002076	9002077
	17 (43.2)	9002078	9002079	9002080	9002081	9002082	9002083	9002084	9002085	9002086
	18 (45.7)	9002087	9002088	9002089	9002090	9002091	9002092	9002093	9002094	9002095
	19 (48.3)	9002096	9002097	9002098	9002099	9002100	9002101	9002102	9002103	9002104
	20 (50.8)	9002105	9002106	9002107	9002108	9002109	9002110	9002111	9002112	9002113
	21 (53.3)	9002114	9002115	9002116	9002117	9002118	9002119	9002120	9002121	9002122
22 (55.9)	9002123	9002124	9002125	9002126	9002127	9002128	9002129	9002130	9002131	

Accessories Catalogue
Stabilizer Bars - Folding

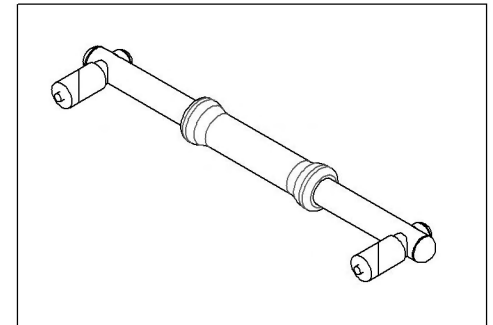
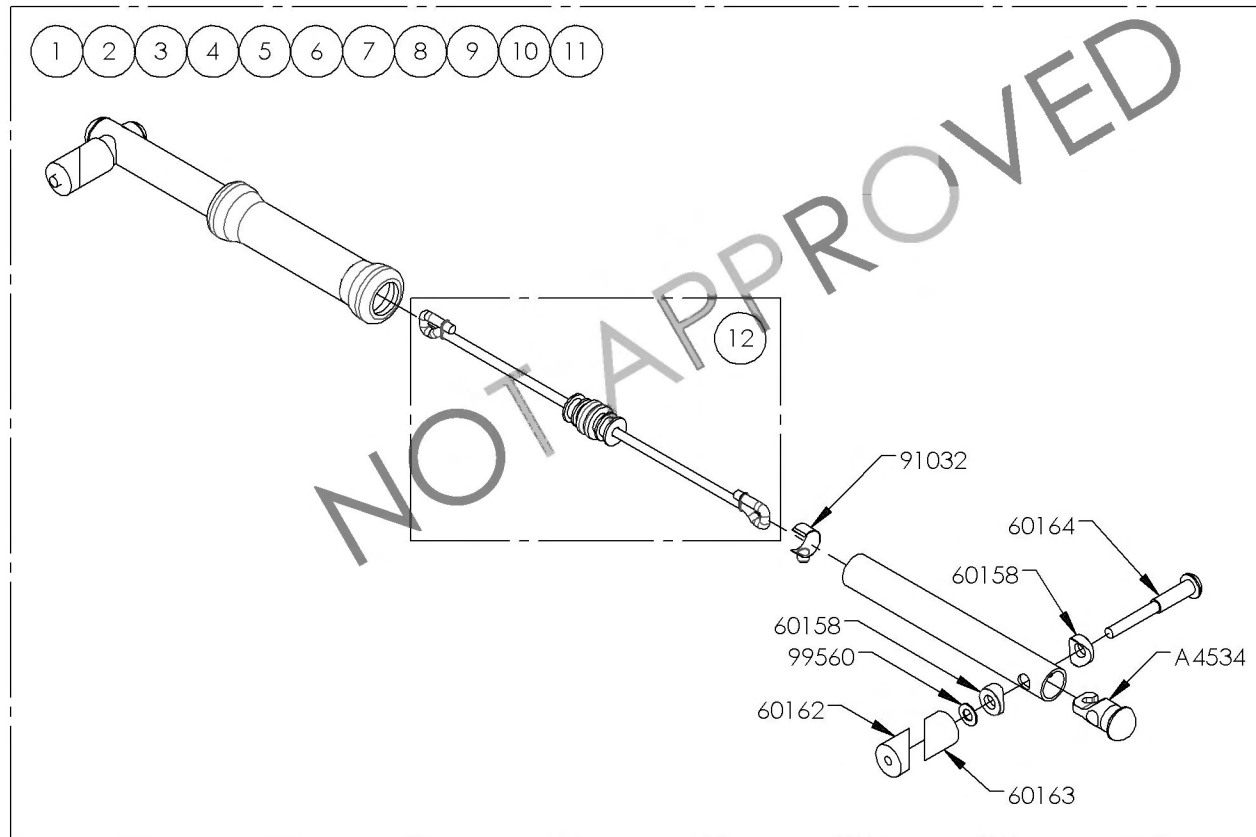
ITEM NO.	PARTNO	DESCRIPTION	QTY.
1	9001594	Stabilizer Bar - Folding, 12 in	1
2	9001595	Stabilizer Bar - Folding, 13 in	1
3	9001596	Stabilizer Bar - Folding, 14 in	1
4	9001597	Stabilizer Bar - Folding, 15 in	1
5	9001598	Stabilizer Bar - Folding, 16 in	1
6	9001599	Stabilizer Bar - Folding, 17 in	1
7	9001600	Stabilizer Bar - Folding, 18 in	1
8	9001601	Stabilizer Bar - Folding, 19 in	1
9	9001602	Stabilizer Bar - Folding, 20 in	1
10	9001603	Stabilizer Bar - Folding, 21 in	1
11	9001604	Stabilizer Bar - Folding, 22 in	1



MAKE SURE TO HAVE YOUR SERIAL NUMBER
 NEARBY WHEN ORDERING PARTS FOR YOUR
 MOTION COMPOSITES WHEELCHAIR

**9001594_9001604
Stabilizer Bars - Folding**

ITEM NO.	PARTNO	DESCRIPTION	9001594 /QTY.	9001595 /QTY.	9001596 /QTY.	9001597 /QTY.	9001598 /QTY.	9001599 /QTY.	9001600 /QTY.	9001601 /QTY.	9001602 /QTY.	9001603 /QTY.	9001604 /QTY.	REPLACEMENT PARTS/QTY.
1	60704	NEWTON FOLDING STABILIZER BAR 12" - ASSEMBLY	1	-	-	-	-	-	-	-	-	-	-	-
2	60705	NEWTON FOLDING STABILIZER BAR 13" - ASSEMBLY	-	1	-	-	-	-	-	-	-	-	-	-
3	60706	NEWTON FOLDING STABILIZER BAR 14" - ASSEMBLY	-	-	1	-	-	-	-	-	-	-	-	-
4	60707	NEWTON FOLDING STABILIZER BAR 15" - ASSEMBLY	-	-	-	1	-	-	-	-	-	-	-	-
5	60708	NEWTON FOLDING STABILIZER BAR 16" - ASSEMBLY	-	-	-	-	1	-	-	-	-	-	-	-
6	60709	NEWTON FOLDING STABILIZER BAR 17" - ASSEMBLY	-	-	-	-	-	1	-	-	-	-	-	-
7	60710	NEWTON FOLDING STABILIZER BAR 18" - ASSEMBLY	-	-	-	-	-	-	1	-	-	-	-	-
8	60711	NEWTON FOLDING STABILIZER BAR 19" - ASSEMBLY	-	-	-	-	-	-	-	1	-	-	-	-
9	60712	NEWTON FOLDING STABILIZER BAR 20" - ASSEMBLY	-	-	-	-	-	-	-	-	1	-	-	-
10	60713	NEWTON FOLDING STABILIZER BAR 21" - ASSEMBLY	-	-	-	-	-	-	-	-	-	1	-	-
11	60714	NEWTON FOLDING STABILIZER BAR 22" - ASSEMBLY	-	-	-	-	-	-	-	-	-	-	1	-
12	60168	TENSION BAR ROPE	-	-	-	-	-	-	-	-	-	-	-	1



Accessories Catalogue
Footrest Neopren Impact Guards

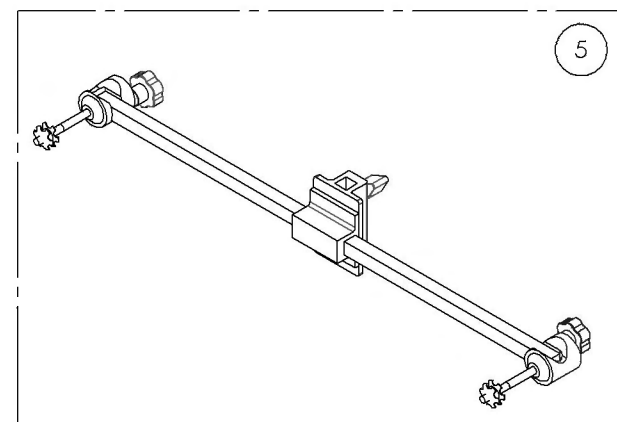
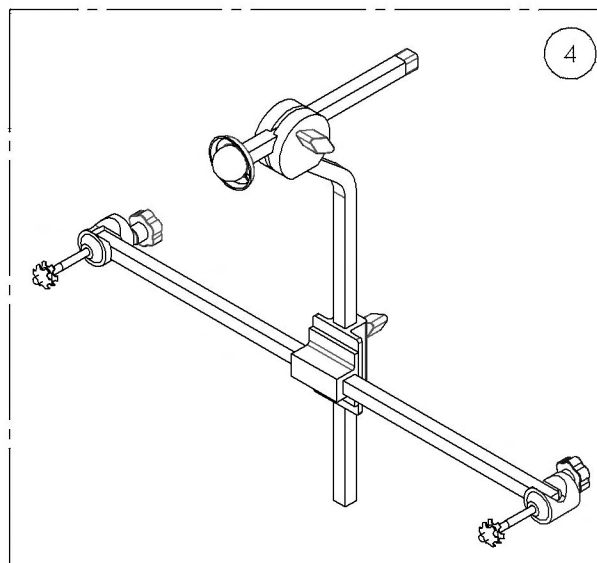
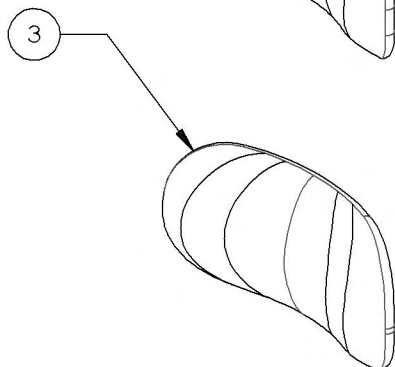
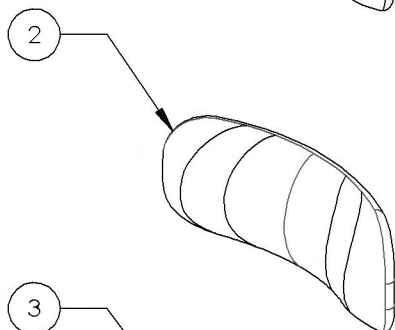
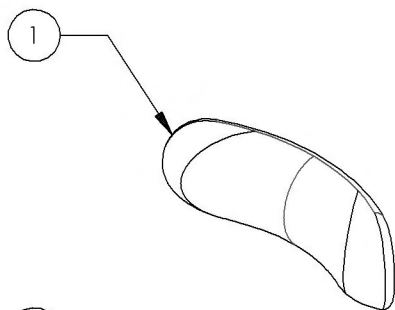
ITEM NO.	PARTNO	DESCRIPTION	QTY.
1	9001633	Footrest Impact Guard - Neoprene - Black	1



MAKE SURE TO HAVE YOUR SERIAL NUMBER
NEARBY WHEN ORDERING PARTS FOR YOUR
MOTION COMPOSITES WHEELCHAIR

Accessories Catalogue Head Rests

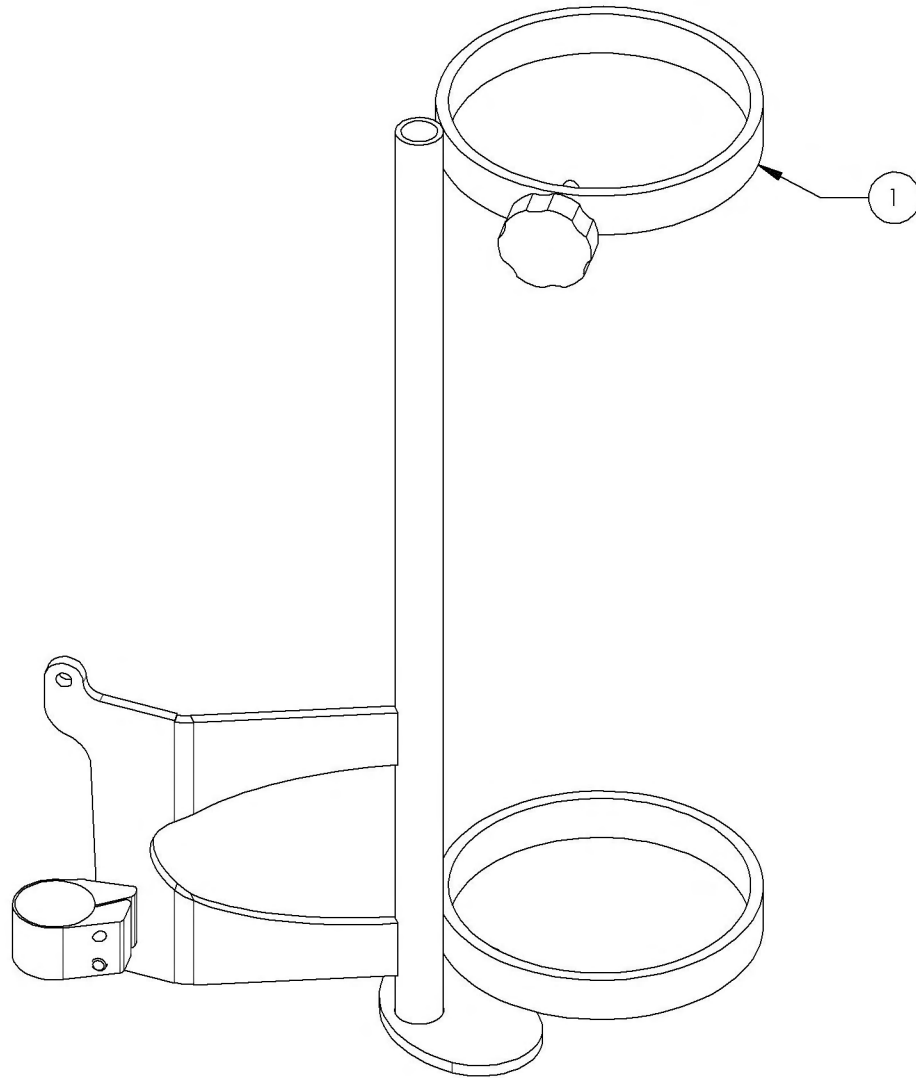
ITEM NO.	PARTNO	DESCRIPTION	QTY.
1	9001589	Head Rest Pad - Small	1
2	9001590	Head Rest Pad - Medium	1
3	9001591	Head Rest Pad - Large	1
4	9001592	Stabilizer Bar - Non-Folding, With Anchor Plate & Swivel Mount Kit	1
5	9001593	Stabilizer Bar - Non-Folding, With Anchor Plate Kit	1



MAKE SURE TO HAVE YOUR SERIAL NUMBER
NEARBY WHEN ORDERING PARTS FOR YOUR
MOTION COMPOSITES WHEELCHAIR

Accessories Catalogue
Oxygen Tank Holder

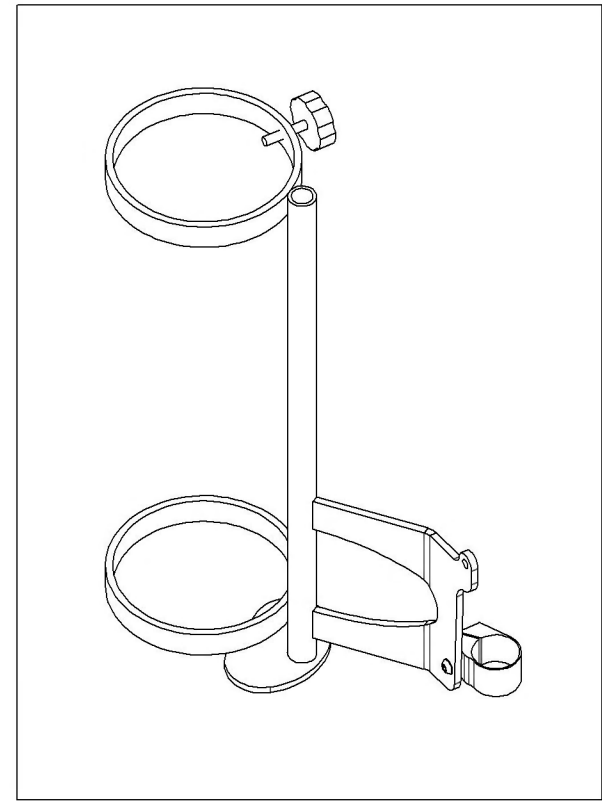
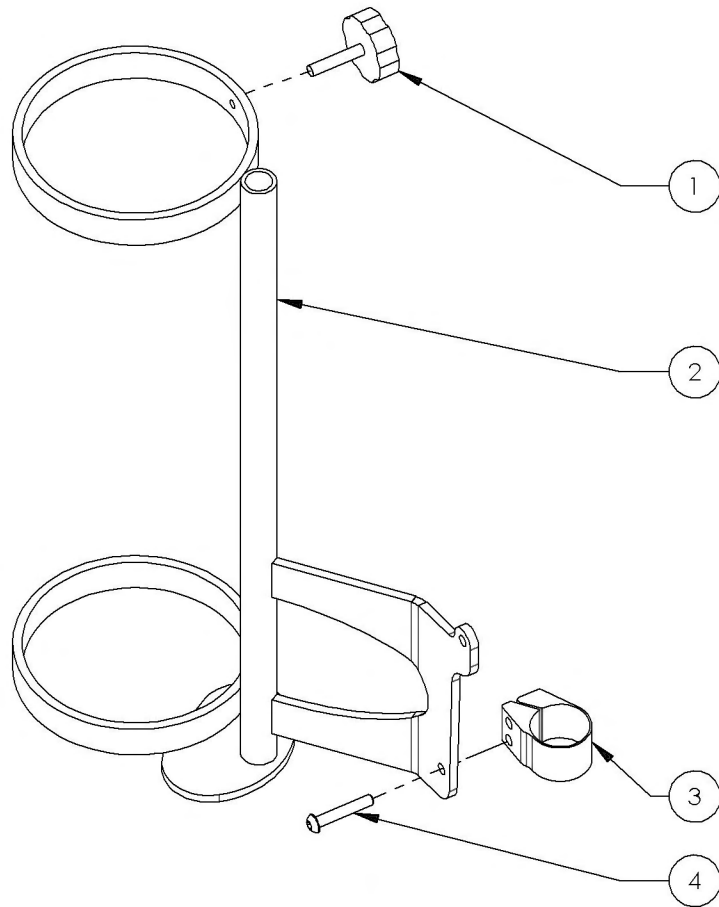
ITEM NO.	PARTNO	DESCRIPTION	QTY.
1	9001640	Oxygen Tank Holder	1



MAKE SURE TO HAVE YOUR SERIAL NUMBER
NEARBY WHEN ORDERING PARTS FOR YOUR
MOTION COMPOSITES WHEELCHAIR

**9001640
Oxygen Tank Holder**

ITEM NO.	PARTNO	DESCRIPTION	9001640 /QTY.
1	60016	PLASTIC-HEAD THUMB SCREW BLACK ROSETTE HEAD, 1_4-20 THREAD, 1-1_4 IN LENGTH	1
2	60022	OXYGEN TANK HOLDER STRUCTURE	1
3	51119	UNIVERSAL 1.25IN ALU CLAMP	1
4	90665	BUTTON HEAD CAP SCREW M6X1 X 35mm LONG, 24mm THREADED	1



Accessories Catalogue
Seat Pouch

ITEM NO.	PARTNO	DESCRIPTION	QTY.
1	9001634	Seat Pouch	1

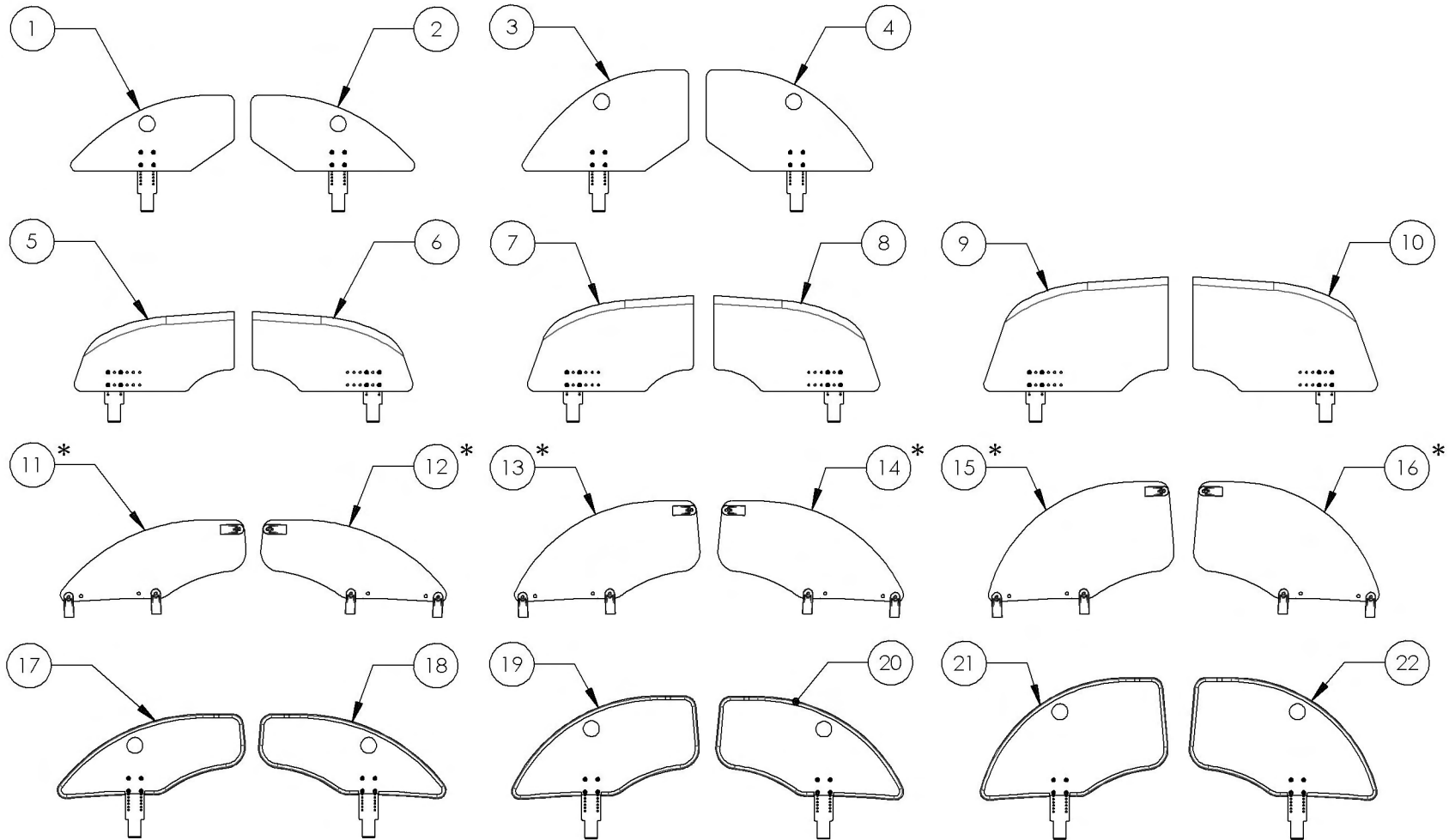


MAKE SURE TO HAVE YOUR SERIAL NUMBER
NEARBY WHEN ORDERING PARTS FOR YOUR
MOTION COMPOSITES WHEELCHAIR

Accessories Catalogue Sideguards & Mudguards

ITEM NO.	PARTNO	DESCRIPTION	QTY.
1	9001295	Removable Side Guard - Plastic, Right, Medium	1
2	9001297	Removable Side Guard - Plastic, Left, Medium	1
3	9001296	Removable Side Guard - Plastic, Right, Large	1
4	9001298	Removable Side Guard - Plastic, Left, Large	1
5	9001319	Mud Guard - Carbon Fiber, Right, Small	1
6	9001322	Mud Guard - Carbon Fiber, Left, Small	1
7	9001320	Mud Guard - Carbon Fiber, Right, Medium	1
8	9001323	Mud Guard - Carbon Fiber, Left, Medium	1
9	9001321	Mud Guard - Carbon Fiber, Right, Large	1
10	9001324	Mud Guard - Carbon Fiber, Left, Large	1
11	9001289	Fixed Side Guard - Carbon Fiber, Right, Small	1

ITEM NO.	PARTNO	DESCRIPTION	QTY.
12	9001292	Fixed Side Guard - Carbon Fiber, Left, Small	1
13	9001290	Fixed Side Guard - Carbon Fiber, Right, Medium	1
14	9001293	Fixed Side Guard - Carbon Fiber, Left, Medium	1
15	9001291	Fixed Side Guard - Carbon Fiber, Right, Large	1
16	9001294	Fixed Side Guard - Carbon Fiber, Left, Large	1
17	9002489	Removable Side Guard - Carbon Fiber, Right, Small	1
18	9002492	Removable Side Guard - Carbon Fiber, Left, Small	1
19	9002490	Removable Side Guard - Carbon Fiber, Right, Medium	1
20	9002493	Removable Side Guard - Carbon Fiber, Left, Medium	1
21	9002491	Removable Side Guard - Carbon Fiber, Right, Large	1
22	9002494	Removable Side Guard - Carbon Fiber, Left, Large	1

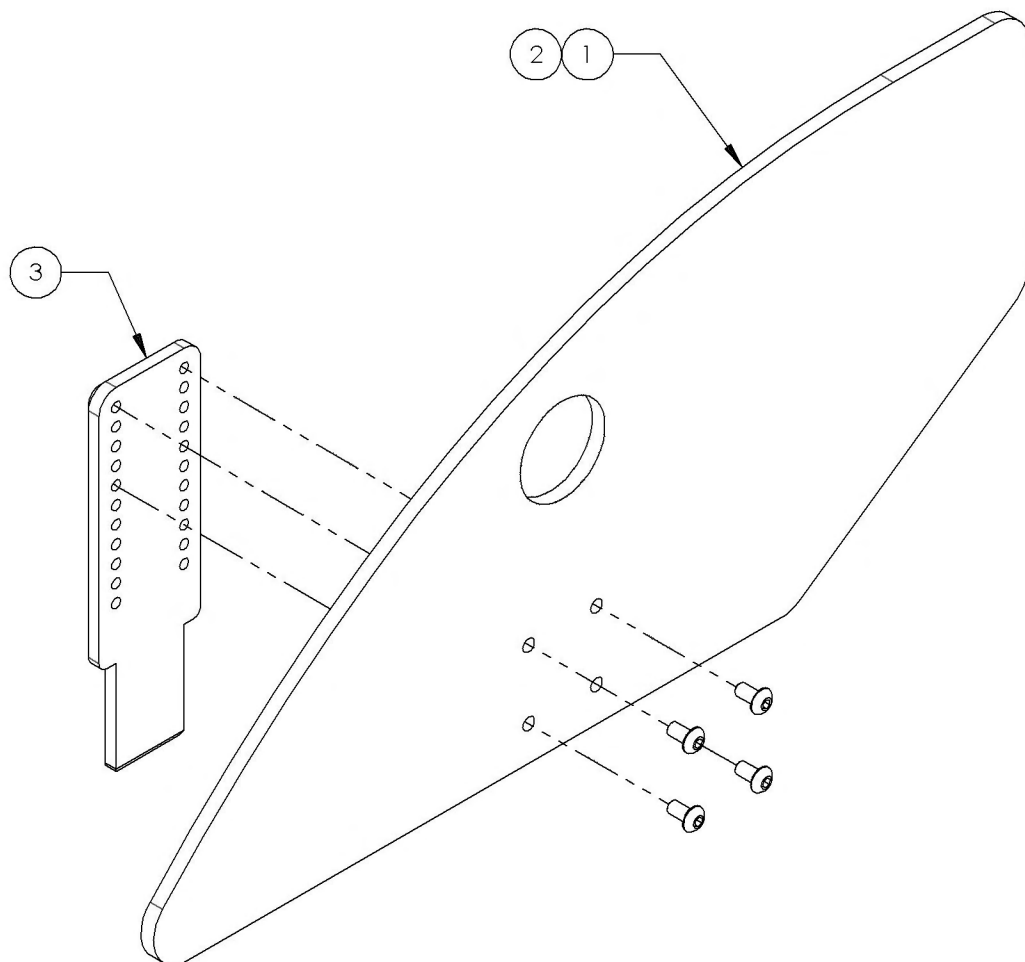


* : NOT AVAILABLE FOR KIDS WHEELCHAIRS

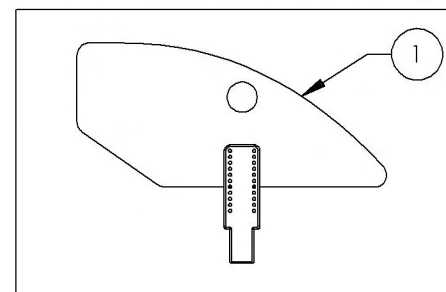
MAKE SURE TO HAVE YOUR SERIAL NUMBER
NEARBY WHEN ORDERING PARTS FOR YOUR
MOTION COMPOSITES WHEELCHAIR

9001295_9001296
Removable Side Guard - Plastic, Right

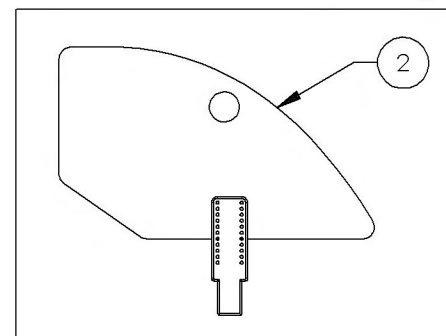
ITEM NO.	PARTNO	DESCRIPTION	9001295 /QTY.	9001296 /QTY.
1	51002	RIGID PLASTIC SIDE GUARD MEDIUM, H-152mm L-328mm	1	-
2	51003	RIGID PLASTIC SIDE GUARD LARGE, H-203mm L-333mm	-	1
3	51118	MUDGUARD & SIDEGUARD ADJUSTING PLATE	1	1
4	90631	BUTTON HEAD CAP SCREW M4X0.7 X 8mm LONG, FULLY THREADED	4	4



9001295
 Removable Side Guard - Plastic, Right, Medium

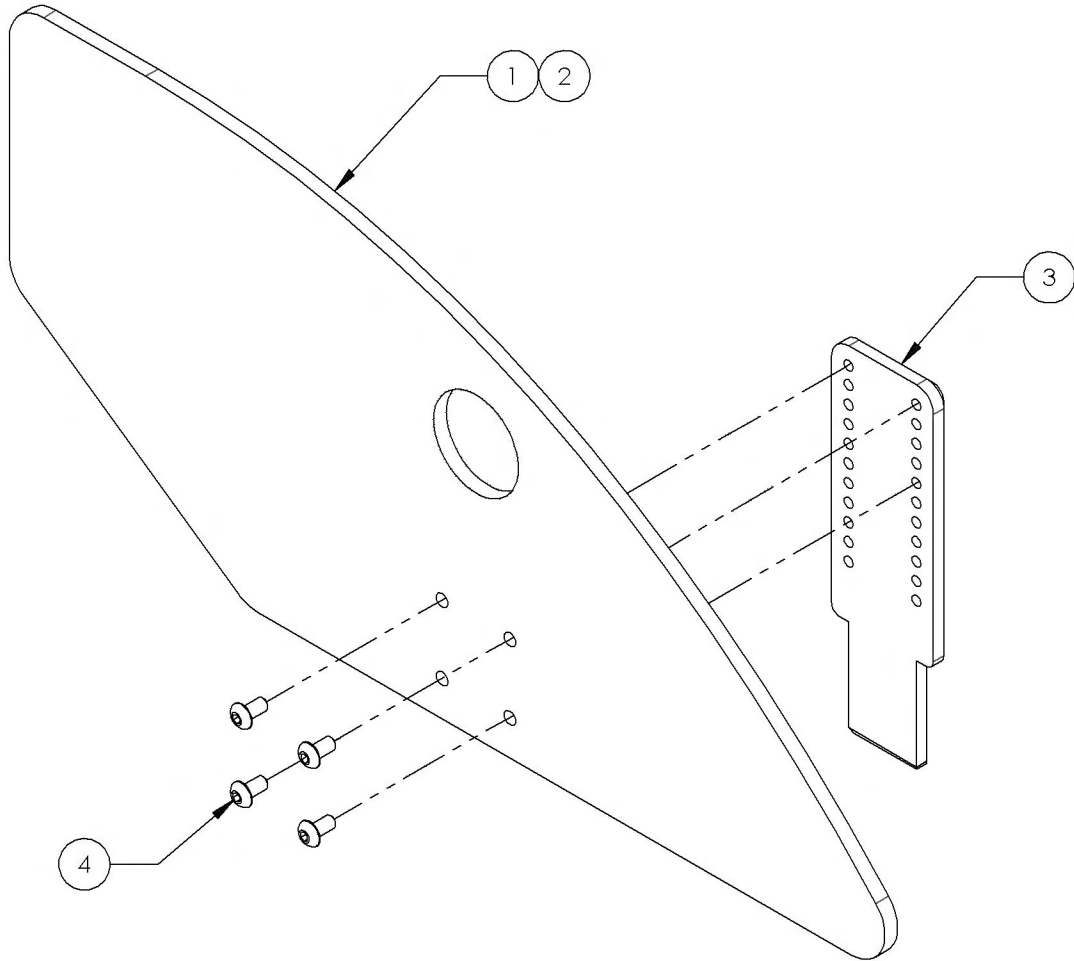


9001296
 Removable Side Guard - Plastic, Right, Large

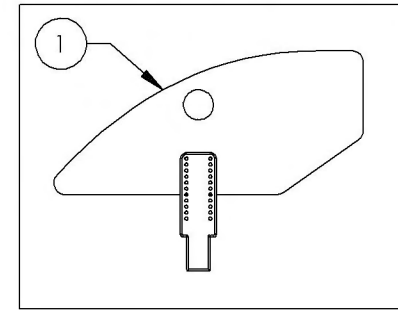


9001297_9001298
Removable Side Guard - Plastic, Left

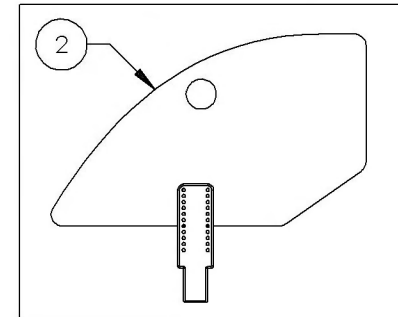
ITEM NO.	PARTNO	DESCRIPTION	9001297 /QTY.	9001298 /QTY.
1	51002	RIGID PLASTIC SIDE GUARD MEDIUM, H-152mm L-328mm	1	-
2	51003	RIGID PLASTIC SIDE GUARD LARGE, H-203mm L-333mm	-	1
3	51118	MUDGUARD & SIDEGUARD ADJUSTING PLATE	1	1
4	90631	BUTTON HEAD CAP SCREW M4X0.7 X 8mm LONG, FULLY THREADED	4	4



9001297
 Removable Side Guard - Plastic, Left, Medium

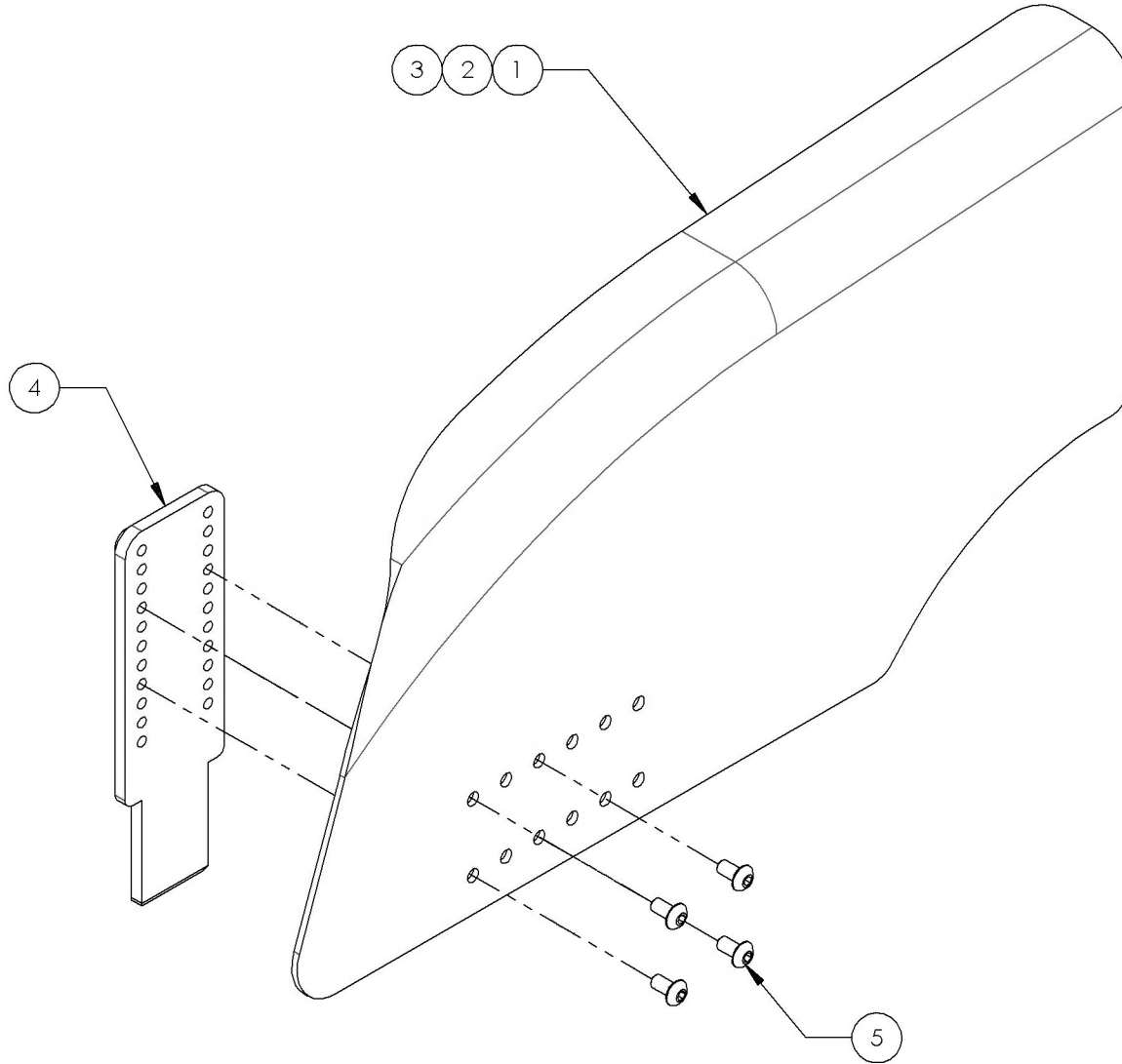


9001298
 Removable Side Guard - Plastic, Left, Large

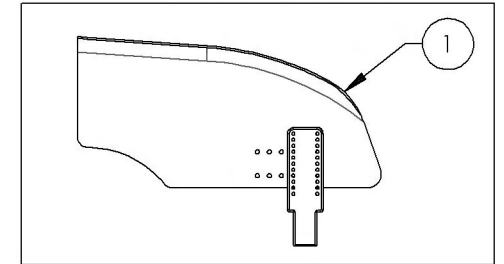


9001319_9001321
Mud Guard - Carbon Fiber, Right

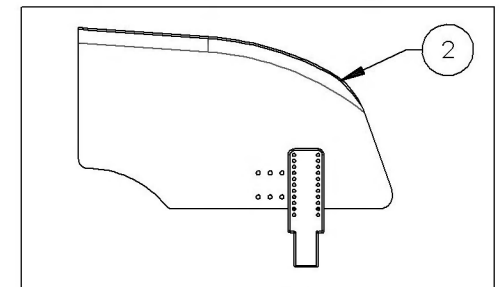
ITEM NO.	PARTNO	DESCRIPTION	9001319 /QTY.	9001320 /QTY.	9001321 /QTY.
1	51106	SMALL CARBON FIBER RIGHT MUDGUARD, H-160mm L-321mm	1	-	-
2	51108	MEDIUM CARBON FIBER RIGHT MUDGUARD, H-192mm L-332mm	-	1	-
3	51110	LARGE CARBON FIBER RIGHT MUDGUARD, H-230mm L-370mm	-	-	1
4	51118	MUDGUARD & SIDE GUARD ADJUSTING PLATE	1	1	1
5	90631	BUTTON HEAD CAP SCREW M4X0.7 X 8mm LONG, FULLY THREADED	4	4	4



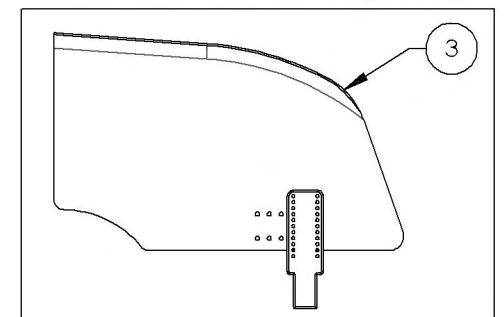
9001319
Mud Guard - Carbon Fiber, Right, Small



9001320
Mud Guard - Carbon Fiber, Right, Medium

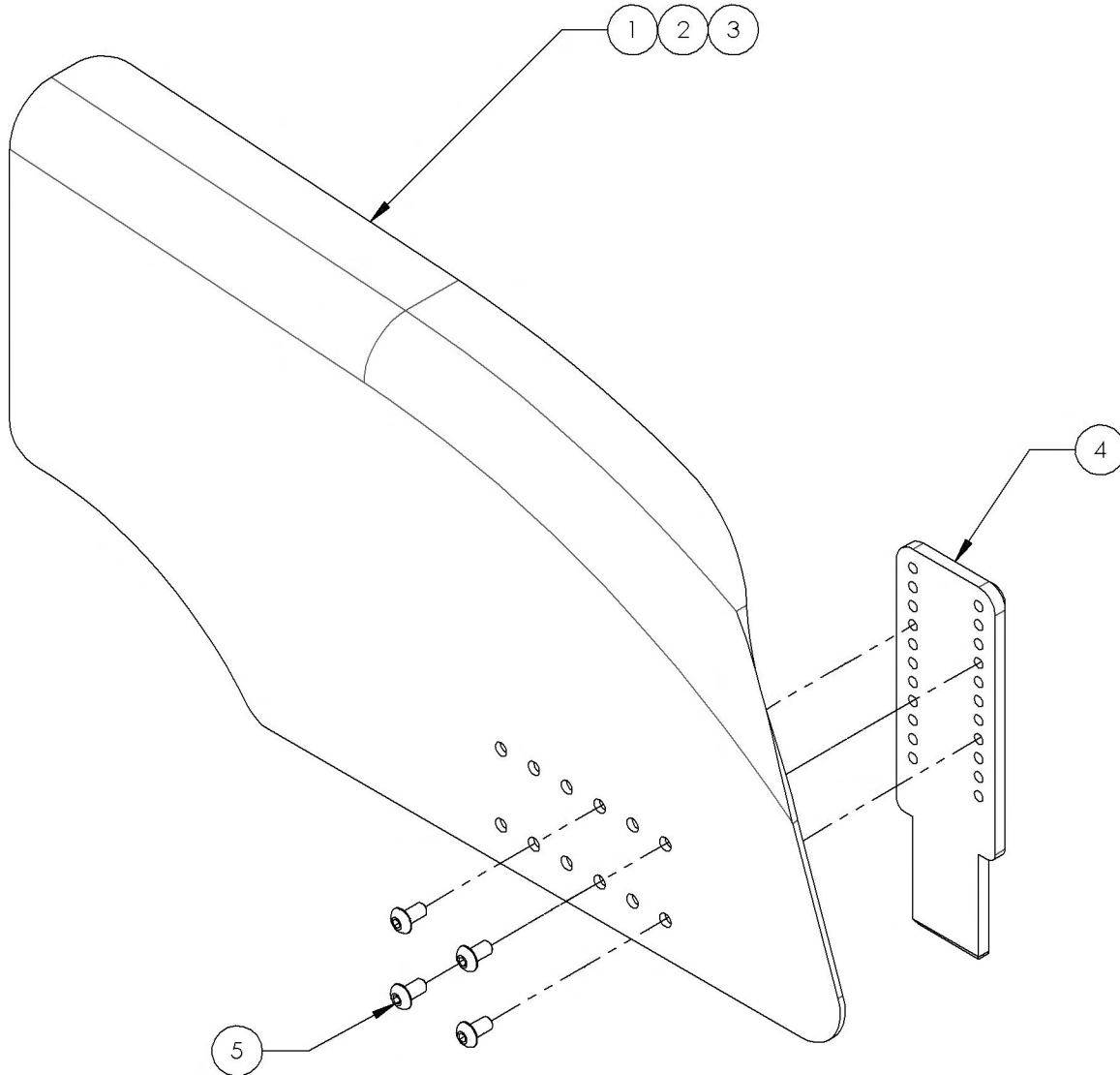


9001321
Mud Guard - Carbon Fiber, Right, Large

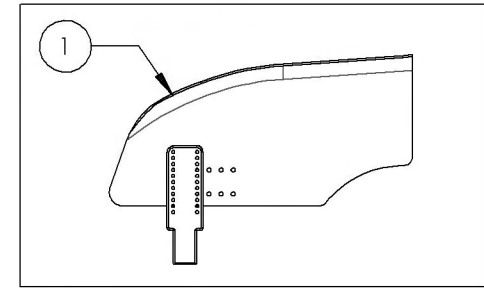


9001322_9001324
Mud Guard - Carbon Fiber, Left

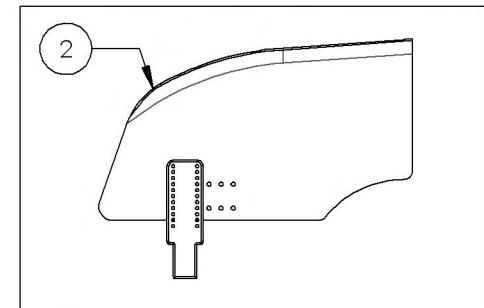
ITEM NO.	PARTNO	DESCRIPTION	9001322 /QTY.	9001323 /QTY.	9001324 /QTY.
1	51107	SMALL CARBON FIBER LEFT MUDGUARD, H-1600mm L-321mm	1	-	-
2	51109	MEDIUM CARBON FIBER LEFT MUDGUARD, H-192mm L-332mm	-	1	-
3	51111	LARGE CARBON FIBER LEFT MUDGUARD, H-230mm L-370mm	-	-	1
4	51118	MUDGUARD & SIDEGUARD ADJUSTING PLATE	1	1	1
5	90631	BUTTON HEAD CAP SCREW M4X0.7 X 8mm LONG, FULLY THREADED	4	4	4



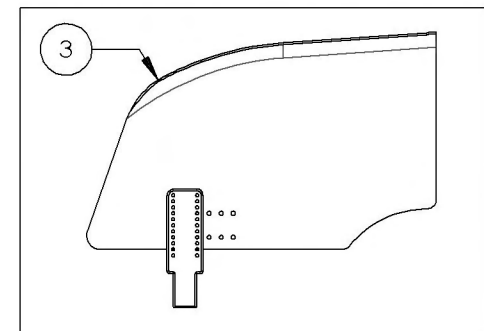
9001322
Mud Guard - Carbon Fiber, Left, Small



9001323
Mud Guard - Carbon Fiber, Left, Medium

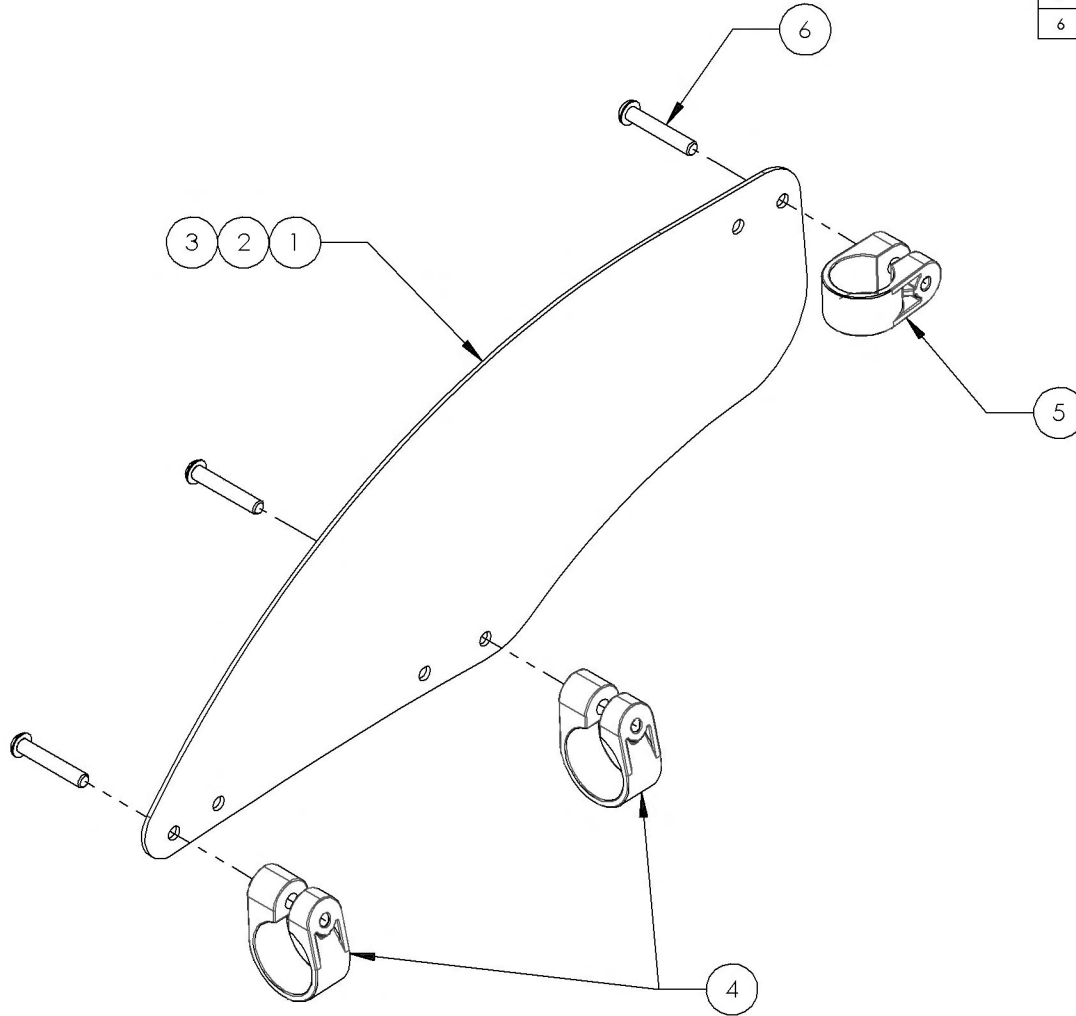


9001324
Mud Guard - Carbon Fiber, Left, Large

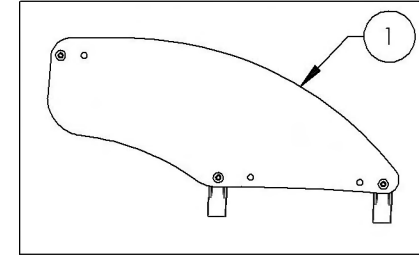


9001289_9001291
Side Guard - Carbon Fiber, Right

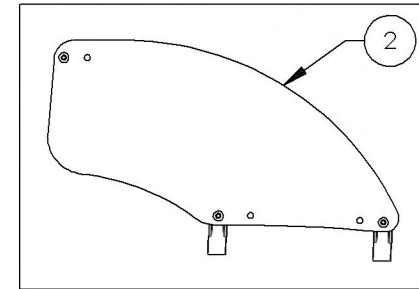
ITEM NO.	PARTNO	DESCRIPTION	9001289 /QTY.	9001290 /QTY.	9001291 /QTY.
1	51112	SMALL CARBON FIBER SIDEGUARD, H-165mm L-372mm	1	-	-
2	51113	MEDIUM CARBON FIBER SIDEGUARD, H-203mm L-372mm	-	1	-
3	51232	LARGE FIXED CARBON FIBER SIDEGUARD, H-241mm L-372mm	-	-	1
4	60201	FRAME SAVER	2	2	2
5	60202	FRAME SAVER 1"	1	1	1
6	90665	BUTTON HEAD CAP SCREW M6X1 X 35mm LONG, 24mm THREADED	3	3	3



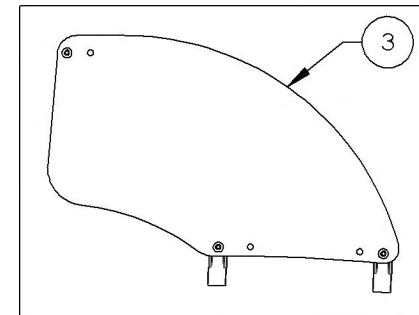
9001289
 Fixed Side Guard - Carbon Fiber, Right, Small



9001290
 Fixed Side Guard - Carbon Fiber, Right, Medium

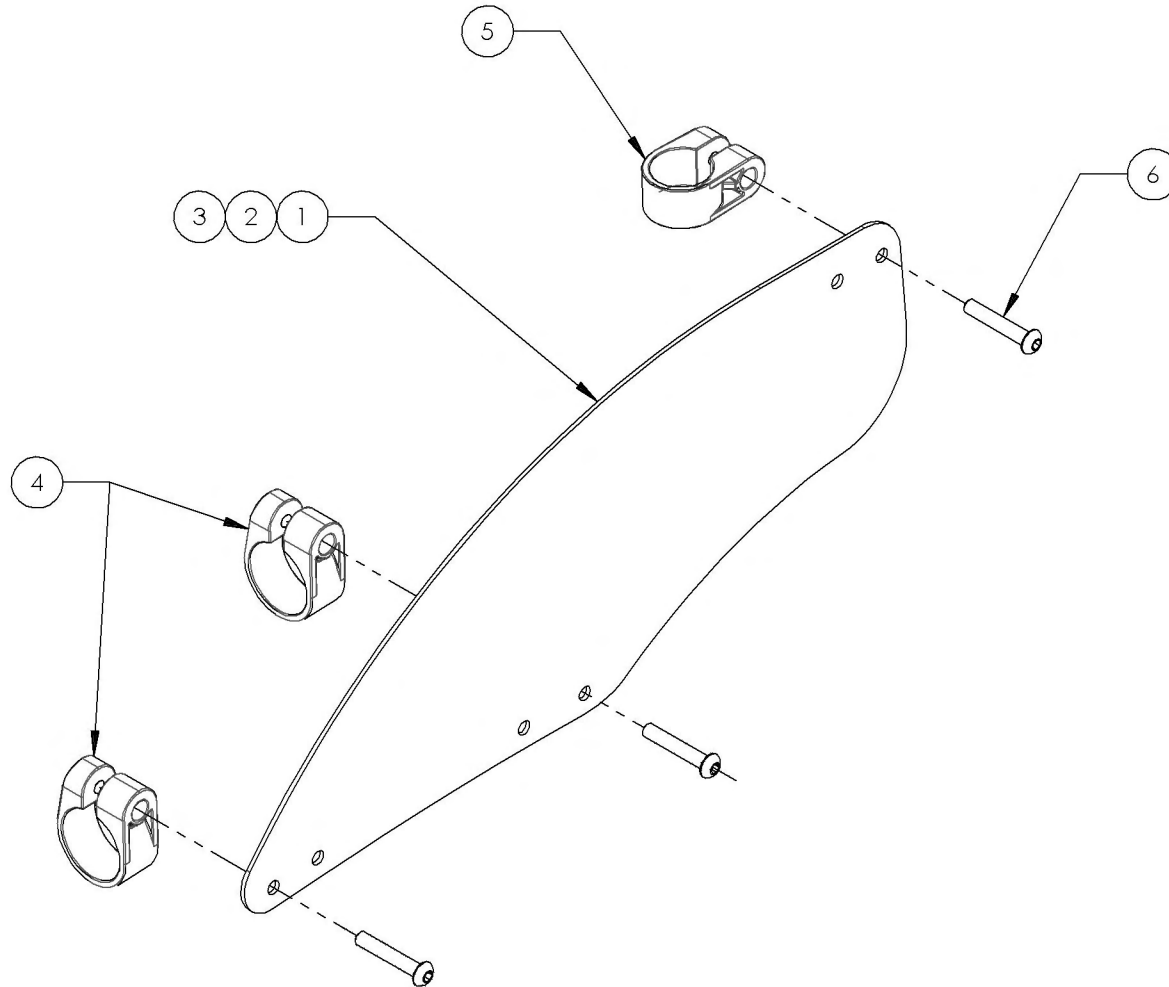


9001291
 Fixed Side Guard - Carbon Fiber, Right, Large

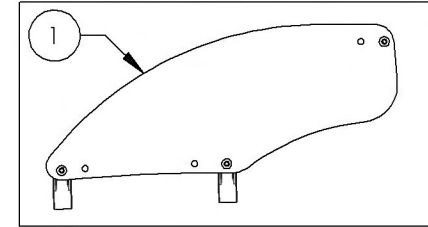


9001292_9001294
Fixed Side Guard - Carbon Fiber, Left

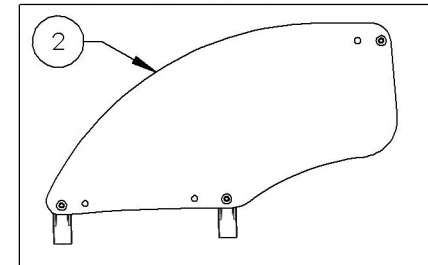
ITEM NO.	PARTNO	DESCRIPTION	9001292 /QTY.	9001293 /QTY.	9001294 /QTY.
1	51112	SMALL CARBON FIBER SIDEGUARD, H-165mm L-372mm	1	-	-
2	51113	MEDIUM CARBON FIBER SIDEGUARD, H-203mm L-372mm	-	1	-
3	51114	LARGE CARBON FIBER SIDEGUARD, H-241mm L-372mm	-	-	1
4	60201	FRAME SAVER	2	2	2
5	60202	FRAME SAVER 1"	1	1	1
6	90665	BUTTON HEAD CAP SCREW M6X1 X 35mm LONG, 24mm THREADED	3	3	3



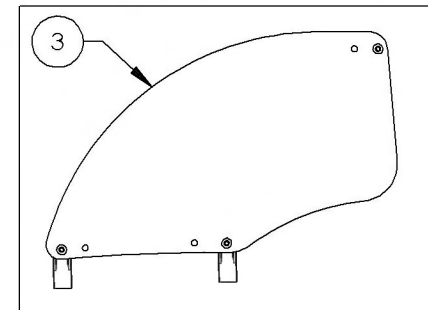
9001292
 Fixed Side Guard - Carbon Fiber, Left, Small



9001293
 Fixed Side Guard - Carbon Fiber, Left, Medium

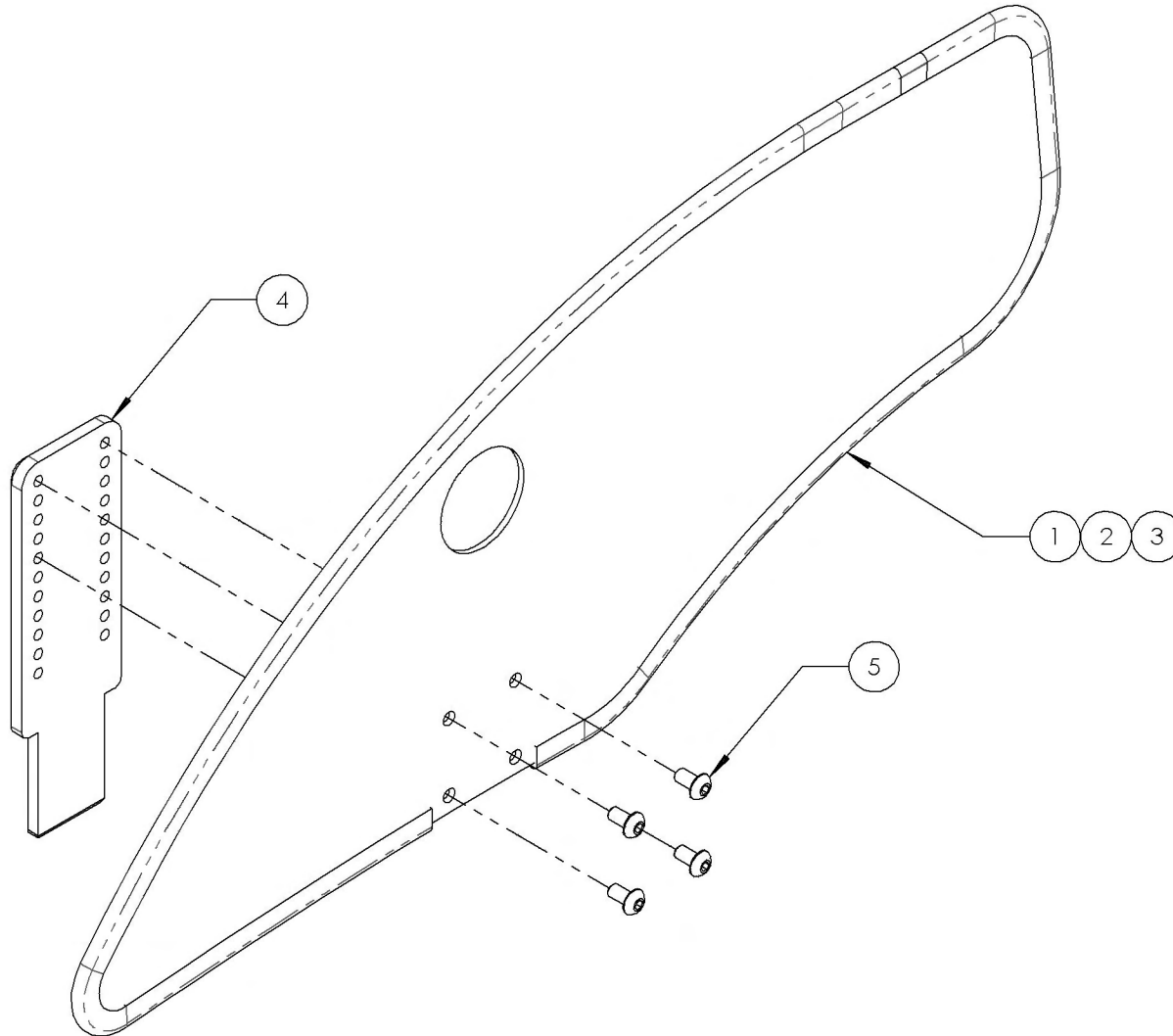


9001294
 Fixed Side Guard - Carbon Fiber, Left, Large

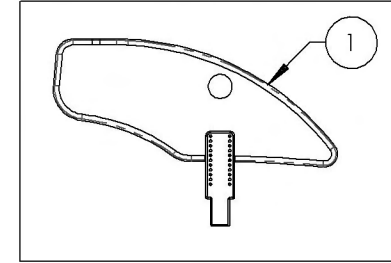


9002489_9002491
Removable Side Guard - Carbon Fiber, Right

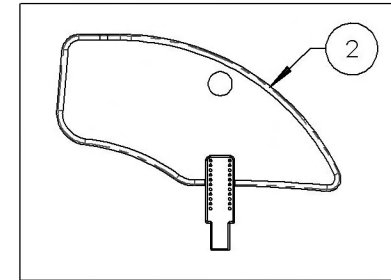
ITEM NO.	PARTNO	DESCRIPTION	9002489 /QTY.	9002490 /QTY.	9002491 /QTY.
1	51213	SMALL AJUSTABLE CARBON FIBER SIDEGUARD, H-165mm L-372mm - ASSEMBLY	1	-	-
2	51214	MEDIUM AJUSTABLE CARBON FIBER SIDEGUARD, H-203mm L-372mm - ASSEMBLY	-	1	-
3	51215	LARGE AJUSTABLE CARBON FIBER SIDEGUARD, H-241mm L-372mm - ASSEMBLY	-	-	1
4	51118	MUDGUARD & SIDEGUARD ADJUSTING PLATE	1	1	1
5	90631	BUTTON HEAD CAP SCREW M4X0.7 X 8mm LONG, FULLY THREADED	4	4	4



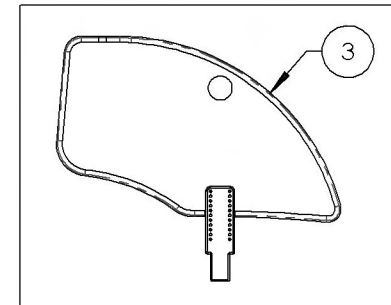
9002489
 Removable Side Guard -
 Carbon Fiber, Right, Small



9002490
 Removable Side Guard -
 Carbon Fiber, Right, Medium



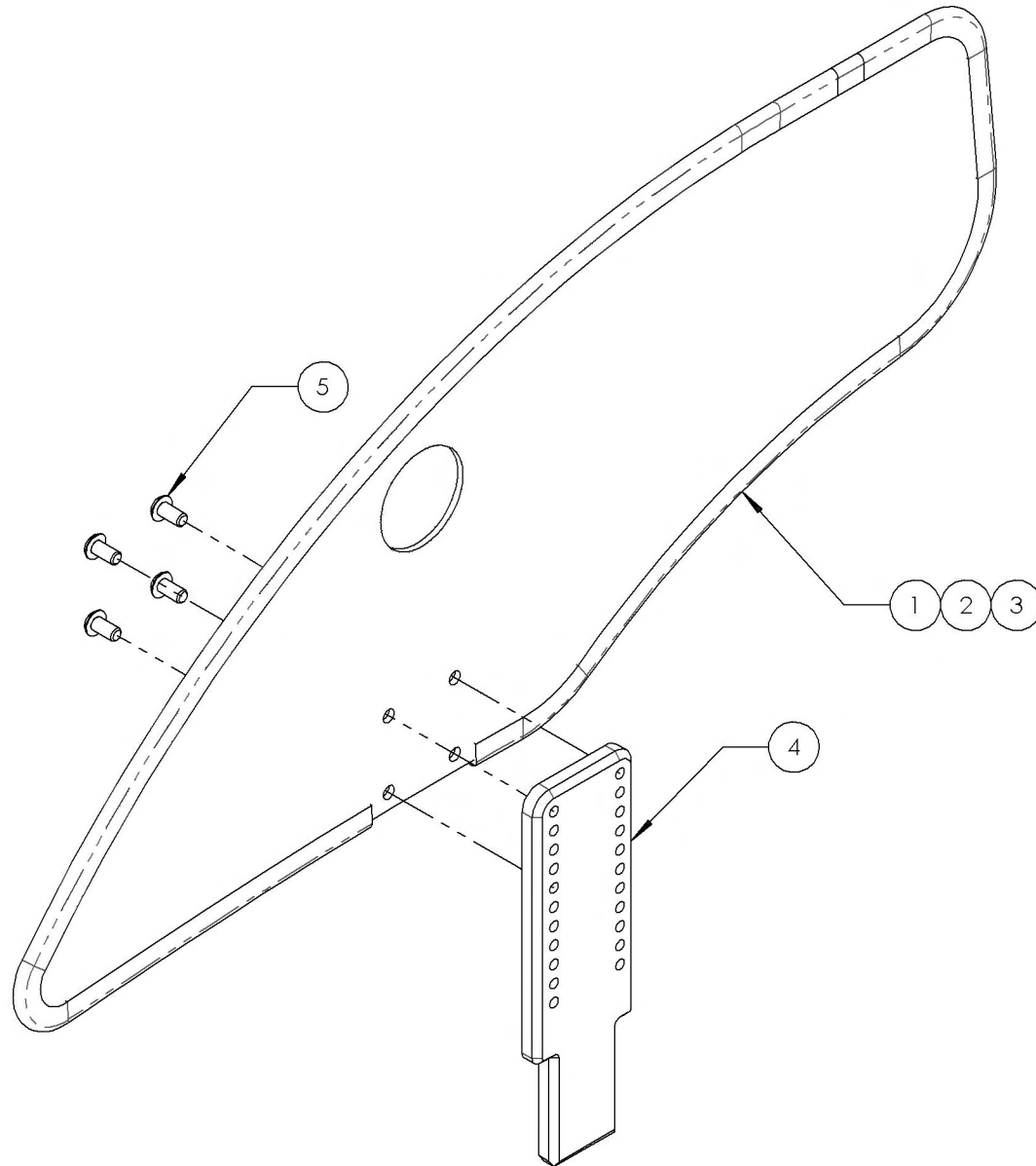
9002491
 Removable Side Guard -
 Carbon Fiber, Right, Large



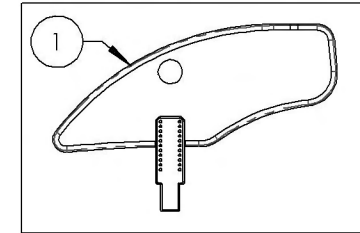
9002492_9002494

Removable Side Guard - Carbon Fiber, Left

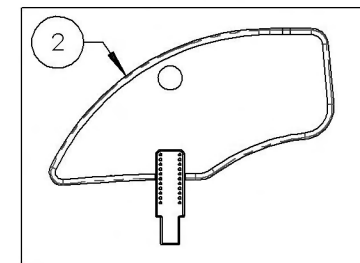
ITEM NO.	PARTNO	DESCRIPTION	9002492 /QTY.	9002493 /QTY.	9002494 /QTY.
1	51213	SMALL AJUSTABLE CARBON FIBER SIDEGUARD, H-165mm L-372mm - ASSEMBLY	1	-	-
2	51214	MEDIUM AJUSTABLE CARBON FIBER SIDEGUARD, H-203mm L-372mm - ASSEMBLY	-	1	-
3	51215	LARGE AJUSTABLE CARBON FIBER SIDEGUARD, H-241mm L-372mm - ASSEMBLY	-	-	1
4	51118	MUDGUARD & SIDEGUARD ADJUSTING PLATE	1	1	1
5	90631	BUTTON HEAD CAP SCREW M4X0.7 X 8mm LONG, FULLY THREADED	4	4	4



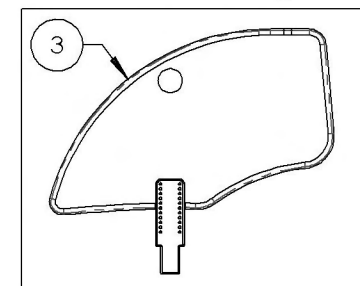
9002492
Removable Side Guard -
Carbon Fiber, Left, Small



9002493
Removable Side Guard -
Carbon Fiber, Left, Medium

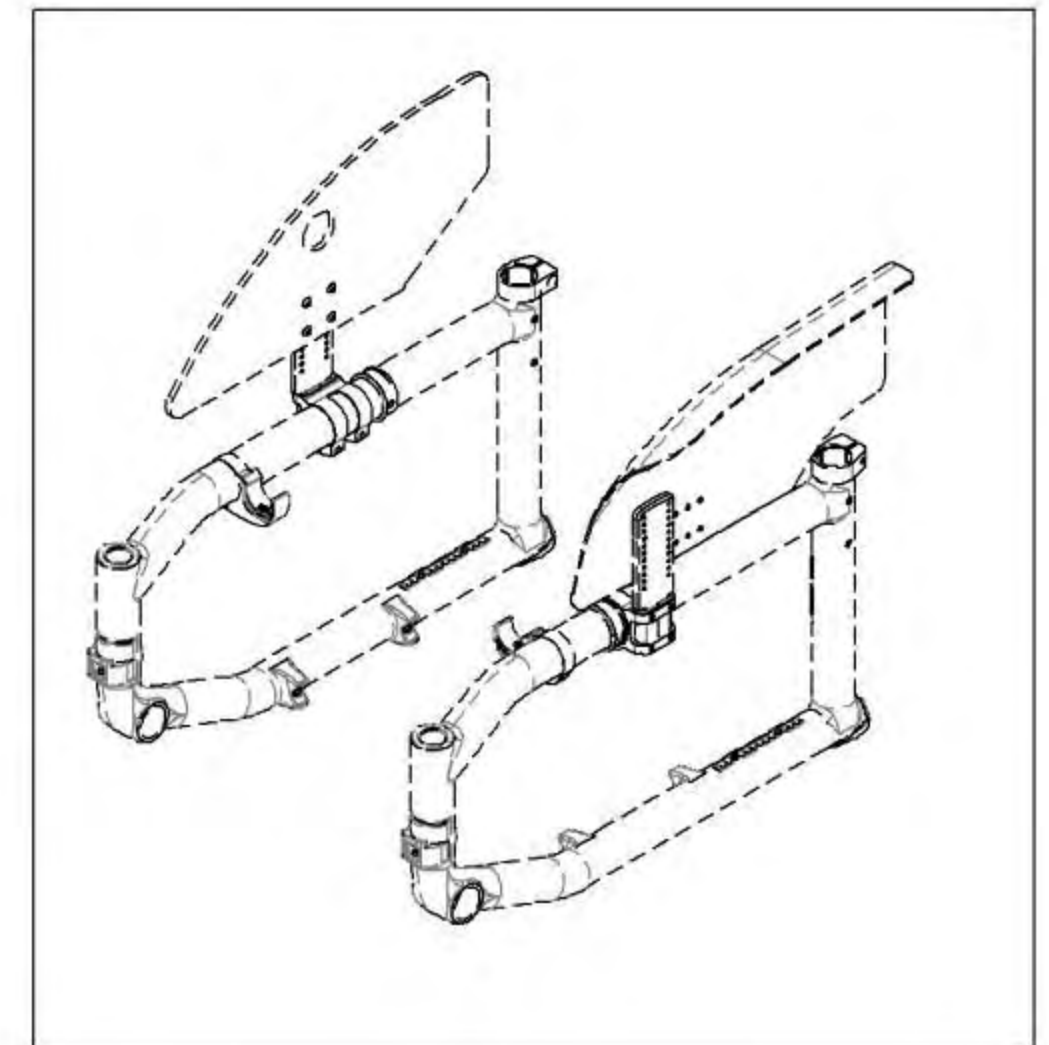
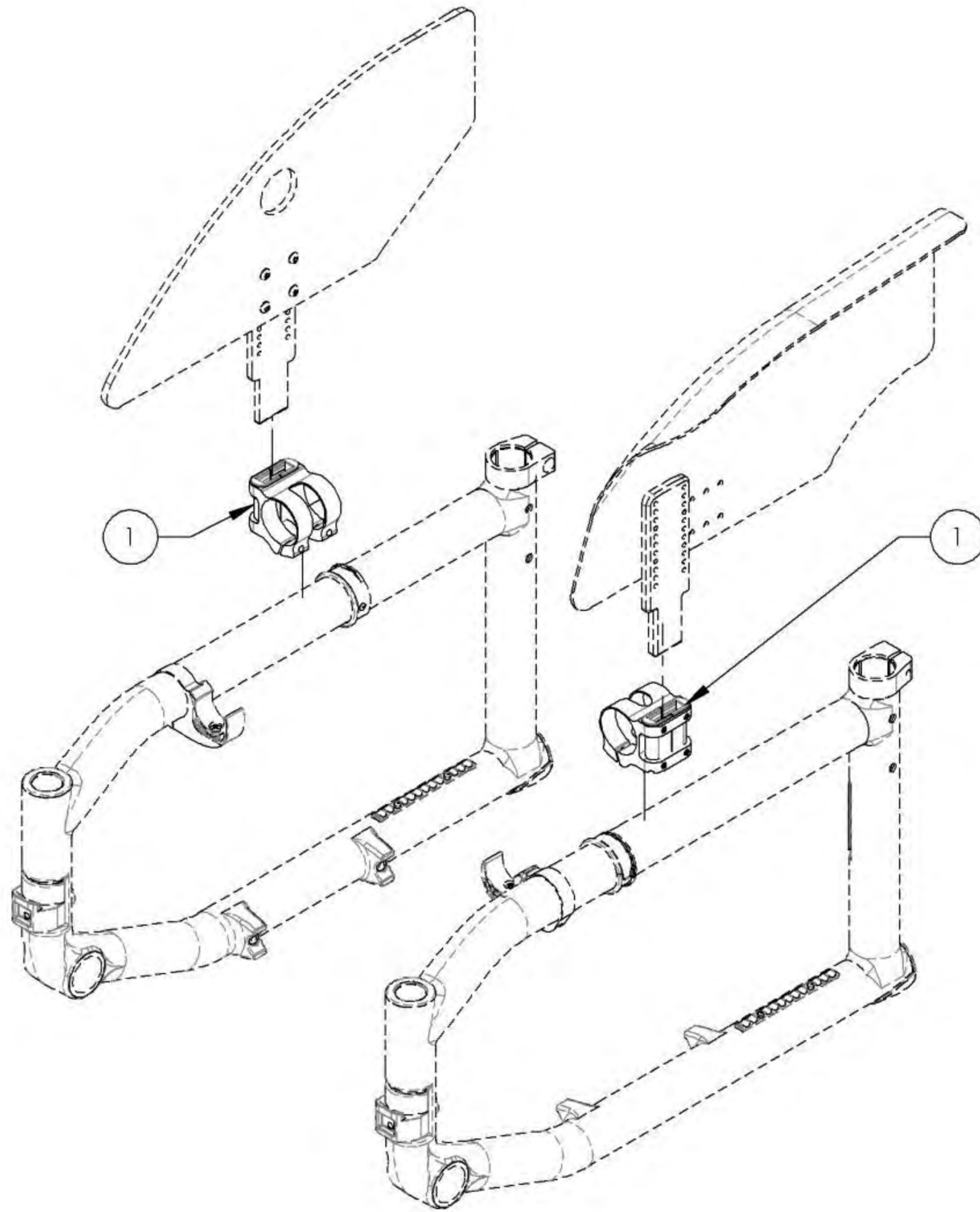


9002494
Removable Side Guard -
Carbon Fiber, Left, Large



Armrest Catalogue
Removable Sideguards & Mudguards

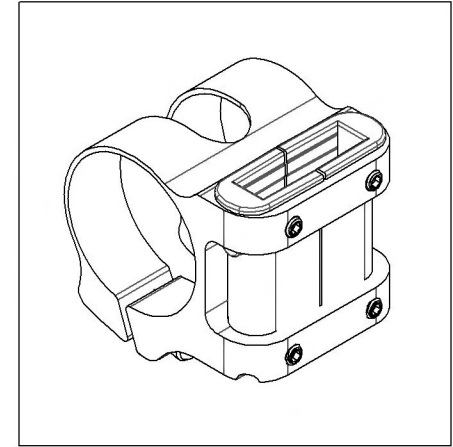
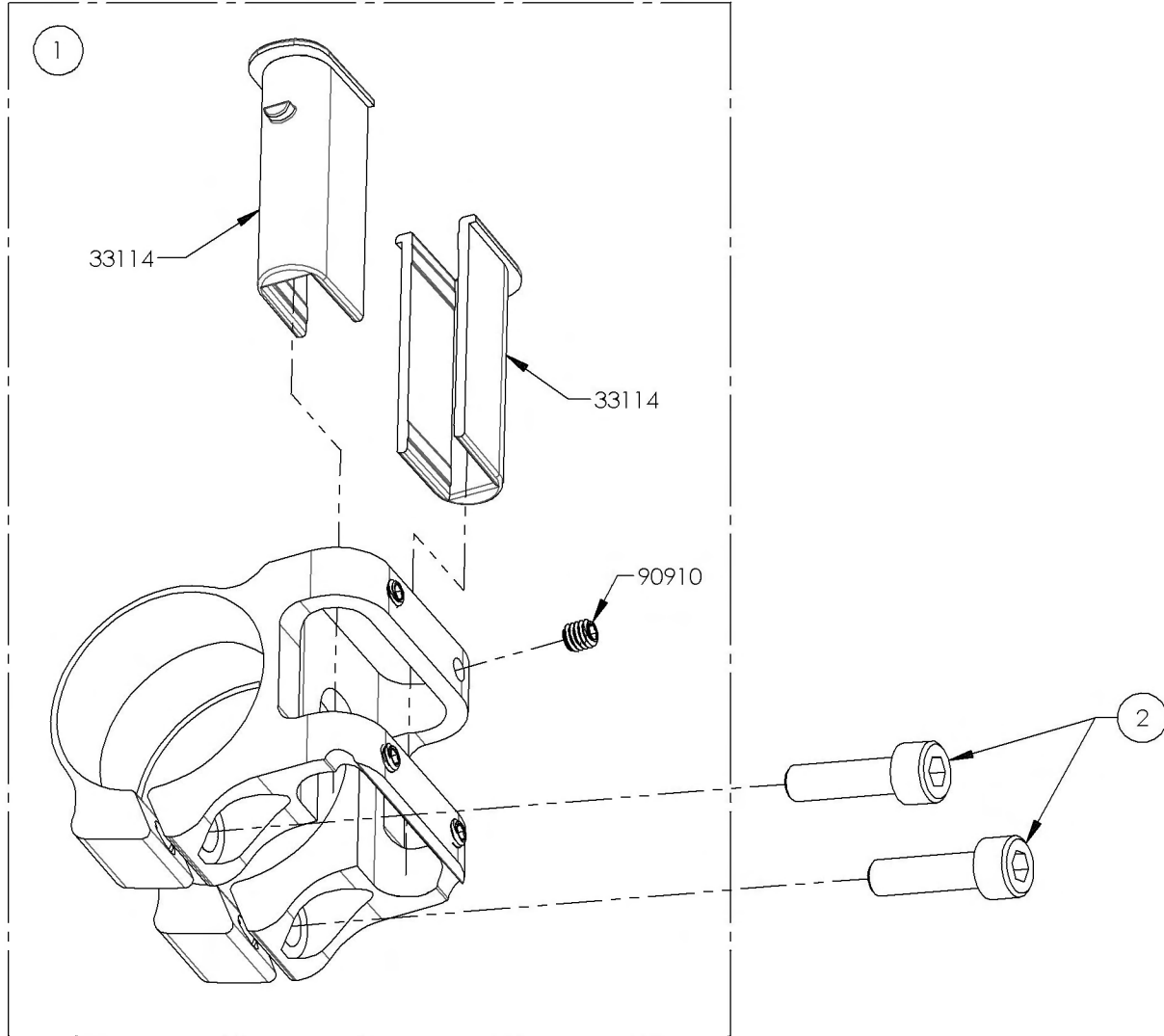
ITEM NO.	PARTNO	DESCRIPTION	QTY.
1	9001327	Removable Mud Guard & Plastic Side Guard - Receiver	2



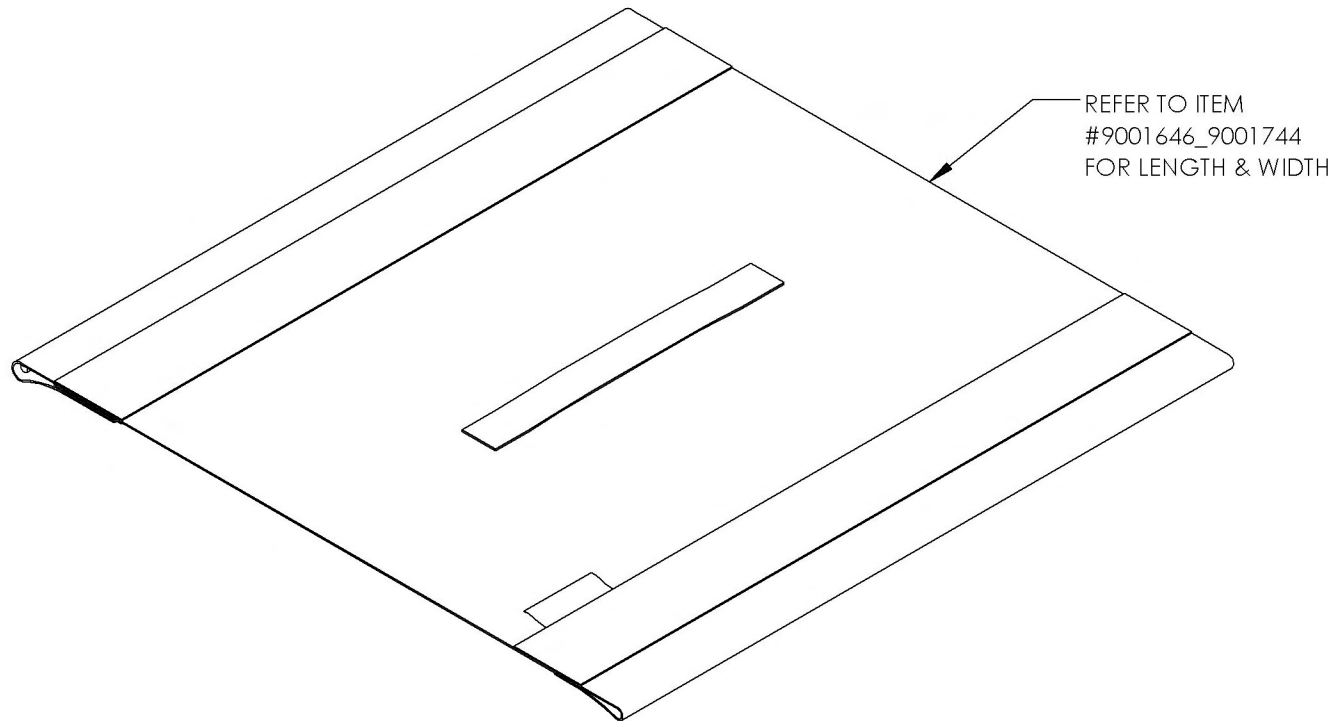
MAKE SURE TO HAVE YOUR SERIAL NUMBER
 NEARBY WHEN ORDERING PARTS FOR YOUR
 MOTION COMPOSITES WHEELCHAIR

9001327
Removable Mud Guard & Plastic Side Guard - Receiver

ITEM NO.	PARTNO	DESCRIPTION	9001327 /QTY.
1	33557	V2 SIDEGUARD RECEIVER - ASSEMBLY	1
2	90748	SOCKET CAP SCREW M5X0.8 X 18mm LONG, FULLY THREADED	2

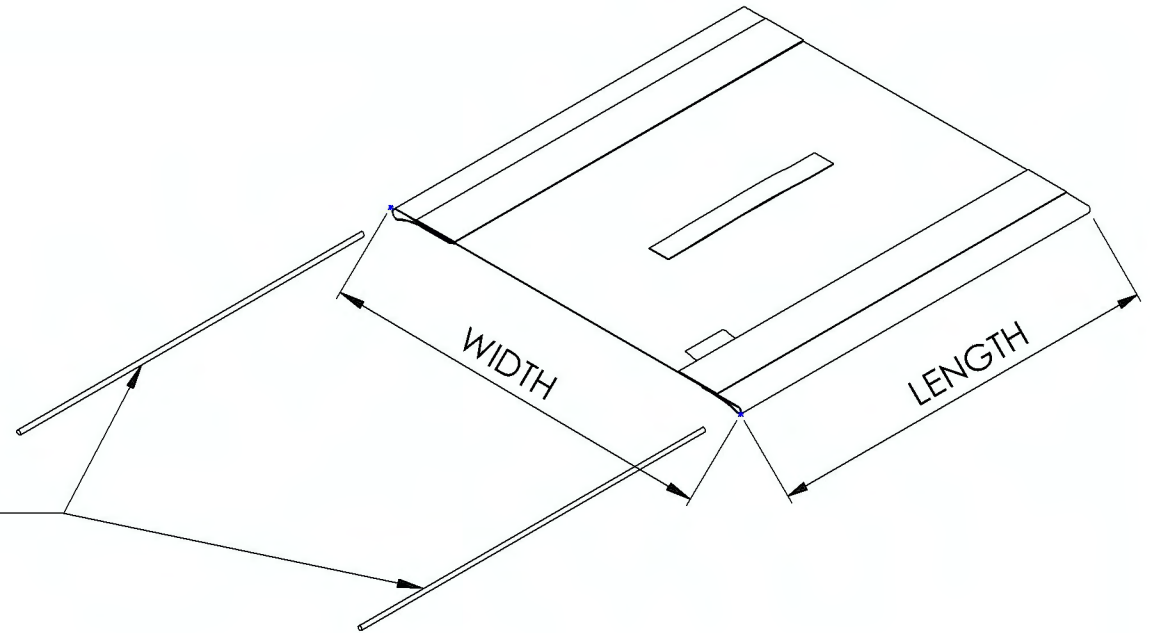


Accessories Catalogue
Sliding Seat Slings



MAKE SURE TO HAVE YOUR SERIAL NUMBER
NEARBY WHEN ORDERING PARTS FOR YOUR
MOTION COMPOSITES WHEELCHAIR

9001646_9001744
Sliding Seat Slings (Specify Size)

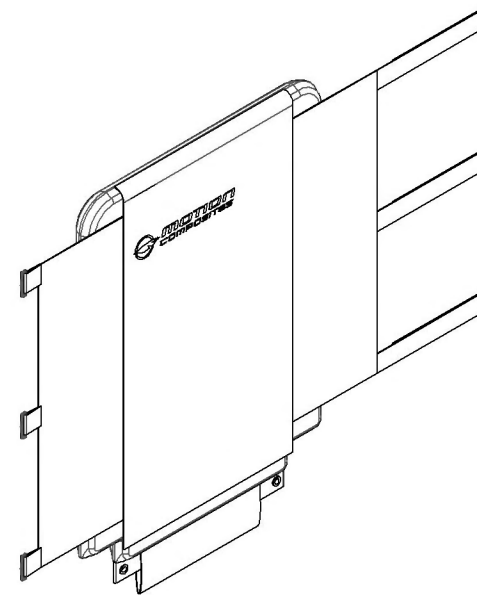
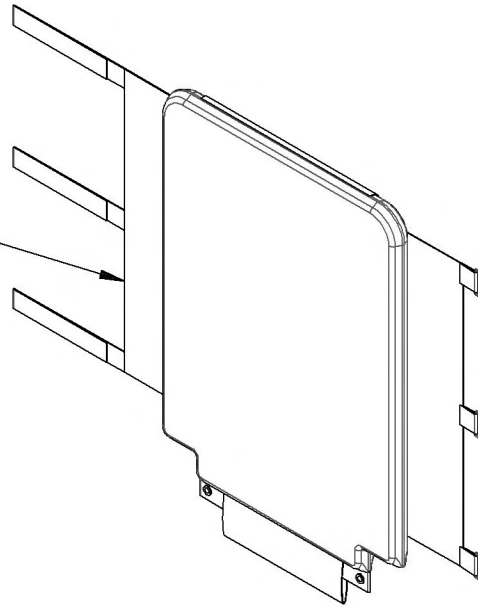


REPLACEMENT PARTS	
1x 12"Slotted Tube Guide	12173
1x 13"Slotted Tube Guide	12174
1x 14"Slotted Tube Guide	12175
1x 15"Slotted Tube Guide	12176
1x 16"Slotted Tube Guide	12177
1x 17"Slotted Tube Guide	12178
1x 18"Slotted Tube Guide	12179
1x 19"Slotted Tube Guide	12180
1x 20"Slotted Tube Guide	12181

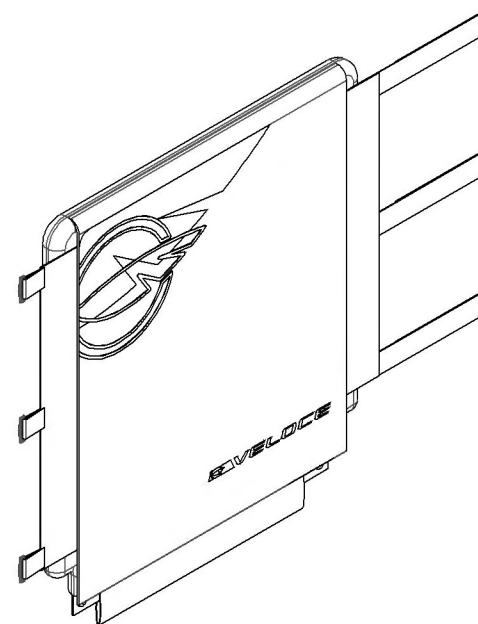
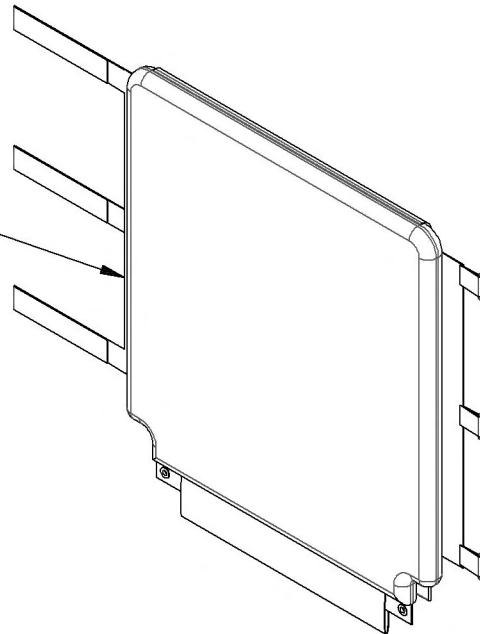
(2X slotted tube guide included)		LENGTH in inches (cm)								
		12 (30.5)	13 (33.0)	14 (35.6)	15 (38.1)	16 (40.6)	17 (43.2)	18 (45.7)	19 (48.3)	20 (50.8)
WIDTH in inches (cm)	12 (30.5)	9001646	9001647	9001648	9001649	9001650	9001651	9001652	9001653	9001654
	13 (33.0)	9001655	9001656	9001657	9001658	9001659	9001660	9001661	9001662	9001663
	14 (35.6)	9001664	9001665	9001666	9001667	9001668	9001669	9001670	9001671	9001672
	15 (38.1)	9001673	9001674	9001675	9001676	9001677	9001678	9001679	9001680	9001681
	16 (40.6)	9001682	9001683	9001684	9001685	9001686	9001687	9001688	9001689	9001690
	17 (43.2)	9001691	9001692	9001693	9001694	9001695	9001696	9001697	9001698	9001699
	18 (45.7)	9001700	9001701	9001702	9001703	9001704	9001705	9001706	9001707	9001708
	19 (48.3)	9001709	9001710	9001711	9001712	9001713	9001714	9001715	9001716	9001717
	20 (50.8)	9001718	9001719	9001720	9001721	9001722	9001723	9001724	9001725	9001726
	21 (53.3)	9001727	9001728	9001729	9001730	9001731	9001732	9001733	9001734	9001735
22 (55.9)	9001736	9001737	9001738	9001739	9001740	9001741	9001742	9001743	9001744	

Accessories Catalogue
Adjustable Tension Back Upholstery

ADJUSTABLE TENSION BACK UPHOLSTERY
REFER TO ITEM
#9001754_9001808
FOR LENGTH & WIDTH



ADJUSTABLE TENSION BACK UPHOLSTERY
FOR VELOCE
REFER TO ITEM
#9001864_9001898
FOR LENGTH & WIDTH



MAKE SURE TO HAVE YOUR SERIAL NUMBER
NEARBY WHEN ORDERING PARTS FOR YOUR
MOTION COMPOSITES WHEELCHAIR

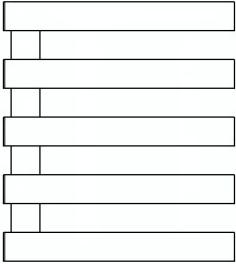
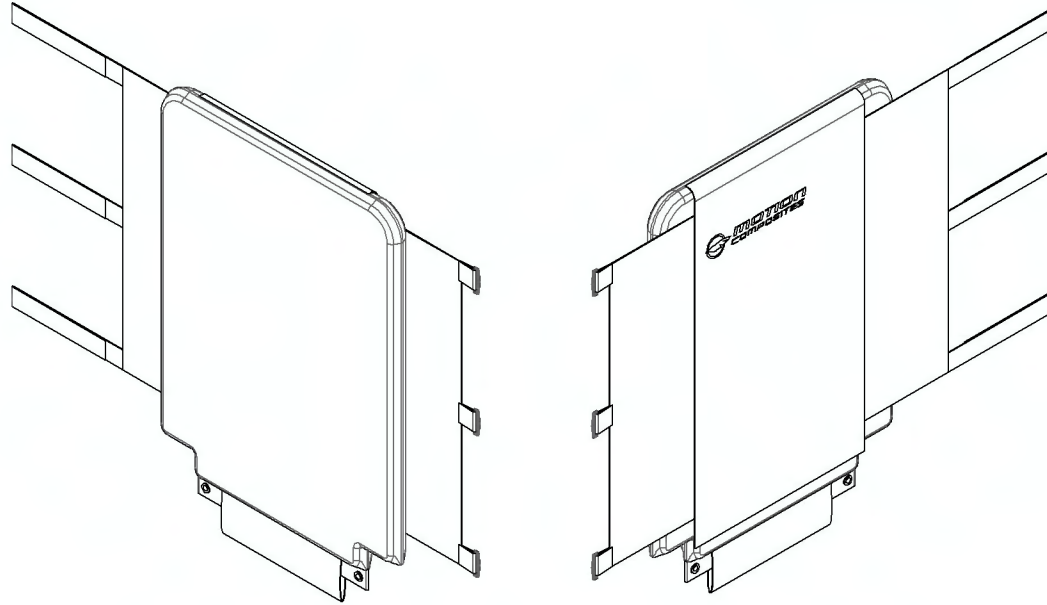
9001754_9001808

Back Upholstery - Adjustable Tension, Mesh (Specify Size)

**ADJUSTABLE TENSION
BACK STRAPS**

FOR 9-12", 12-15" & 15-18"
USE **#60092**

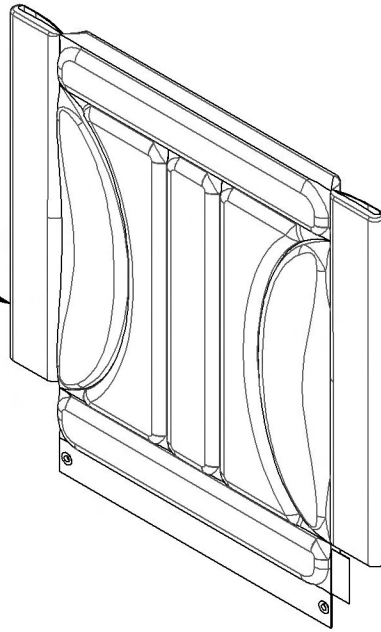
FOR 18-21" & 21-24"
USE **#60093**

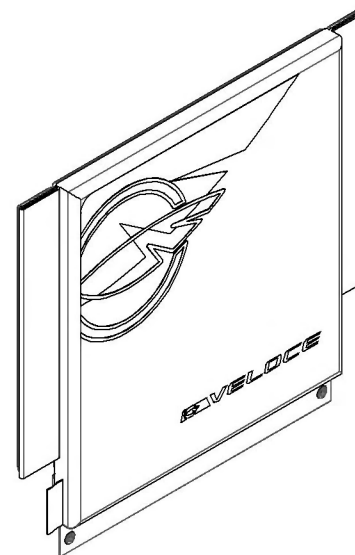
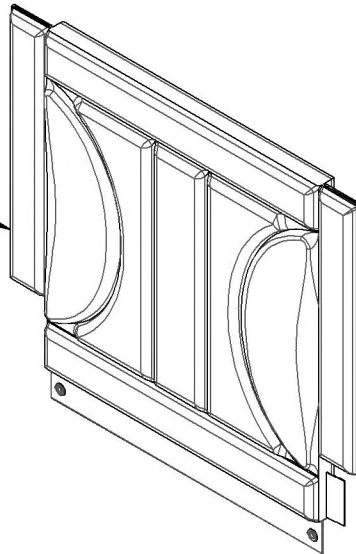
ADJUSTABLE TENSION BACK UPHOLSTERY		LENGTH in inches (cm)				
		9-12 (22.9-30.5)	12-15 (30.5-38.1)	15-18 (38.1-45.7)	18-21 (45.7-53.3)	21-24 (53.3-60.9)
WIDTH in inches (cm)	12 (30.5)	9001754	9001755	9001756	9001757	9001758
	13 (33.0)	9001759	9001760	9001761	9001762	9001763
	14 (35.6)	9001764	9001765	9001766	9001767	9001768
	15 (38.1)	9001769	9001770	9001771	9001772	9001773
	16 (40.6)	9001774	9001775	9001776	9001777	9001778
	17 (43.2)	9001779	9001780	9001781	9001782	9001783
	18 (45.7)	9001784	9001785	9001786	9001787	9001788
	19 (48.3)	9001789	9001790	9001791	9001792	9001793
	20 (50.8)	9001794	9001795	9001796	9001797	9001798
	21 (53.3)	9001799	9001800	9001801	9001802	9001803
	22 (55.9)	9001804	9001805	9001806	9001807	9001808

Accessories Catalogue
Slip On Back Upholstery

SLIP ON BACK UPHOLSTERY
REFER TO ITEM
#9001809_9001863
FOR LENGTH & WIDTH



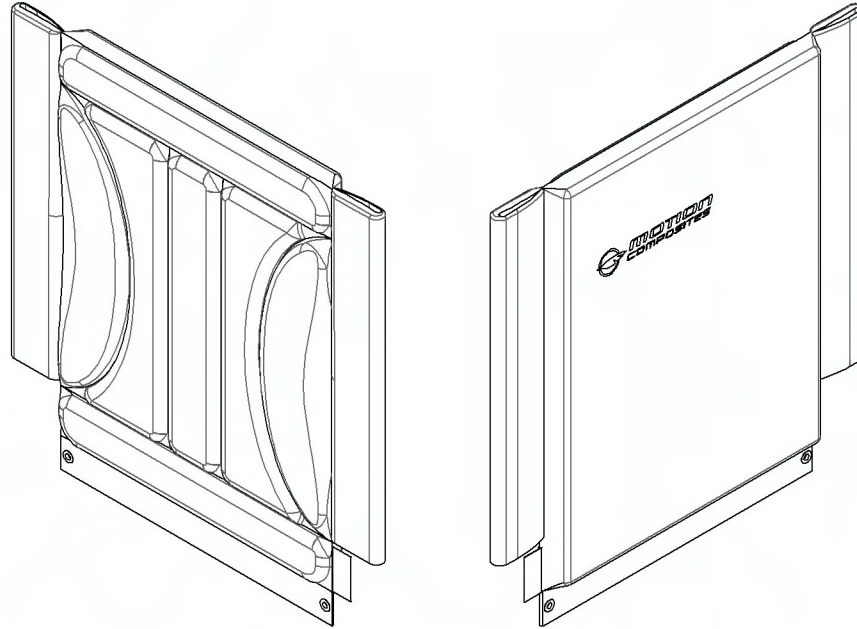
SLIP ON BACK UPHOLSTERY
FOR VELOCE
REFER TO ITEM
#9001899_9001933
FOR LENGTH & WIDTH



MAKE SURE TO HAVE YOUR SERIAL NUMBER
NEARBY WHEN ORDERING PARTS FOR YOUR
MOTION COMPOSITES WHEELCHAIR

9001809_9001863

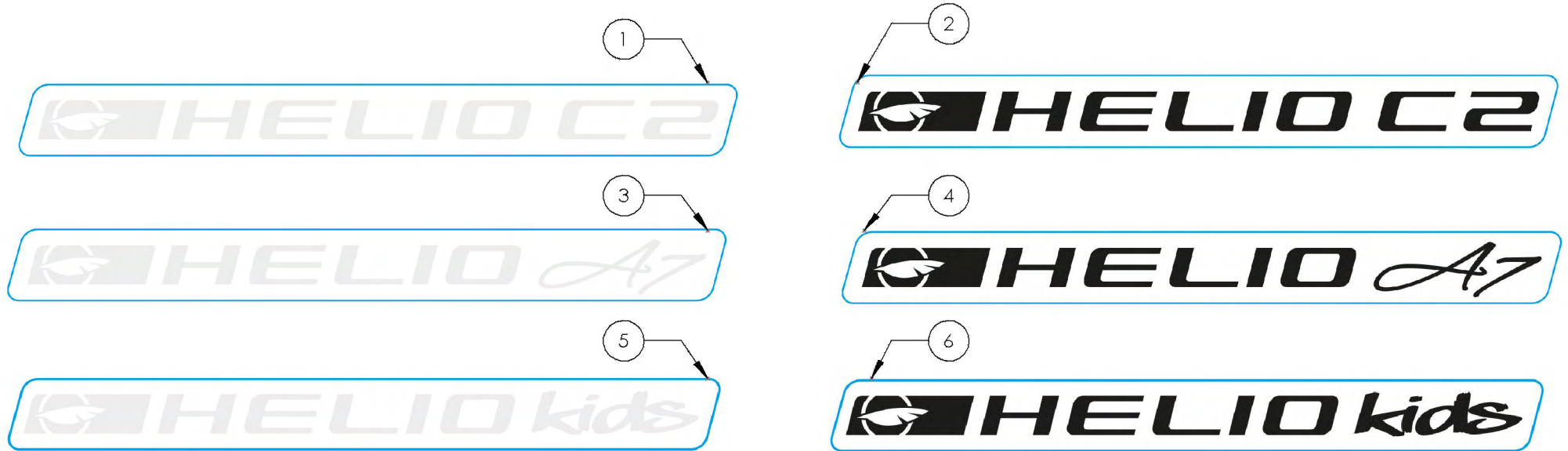
Back Upholstery - Slip On, Nylon (Specify Size)



SLIP ON BACK UPHOLSTERY		LENGTH in inches (cm)				
		9-12 (22.9-30.5)	12-15 (30.5-38.1)	15-18 (38.1-45.7)	18-21 (45.7-53.3)	21-24 (53.3-60.9)
WIDTH in inches (cm)	12 (30.5)	9001809	9001810	9001811	9001812	9001813
	13 (33.0)	9001814	9001815	9001816	9001817	9001818
	14 (35.6)	9001819	9001820	9001821	9001822	9001823
	15 (38.1)	9001824	9001825	9001826	9001827	9001828
	16 (40.6)	9001829	9001830	9001831	9001832	9001833
	17 (43.2)	9001834	9001835	9001836	9001837	9001838
	18 (45.7)	9001839	9001840	9001841	9001842	9001843
	19 (48.3)	9001844	9001845	9001846	9001847	9001848
	20 (50.8)	9001849	9001850	9001851	9001852	9001853
	21 (53.3)	9001854	9001855	9001856	9001857	9001858
	22 (55.9)	9001859	9001860	9001861	9001862	9001863

**Accessories Catalogue
Stickers**

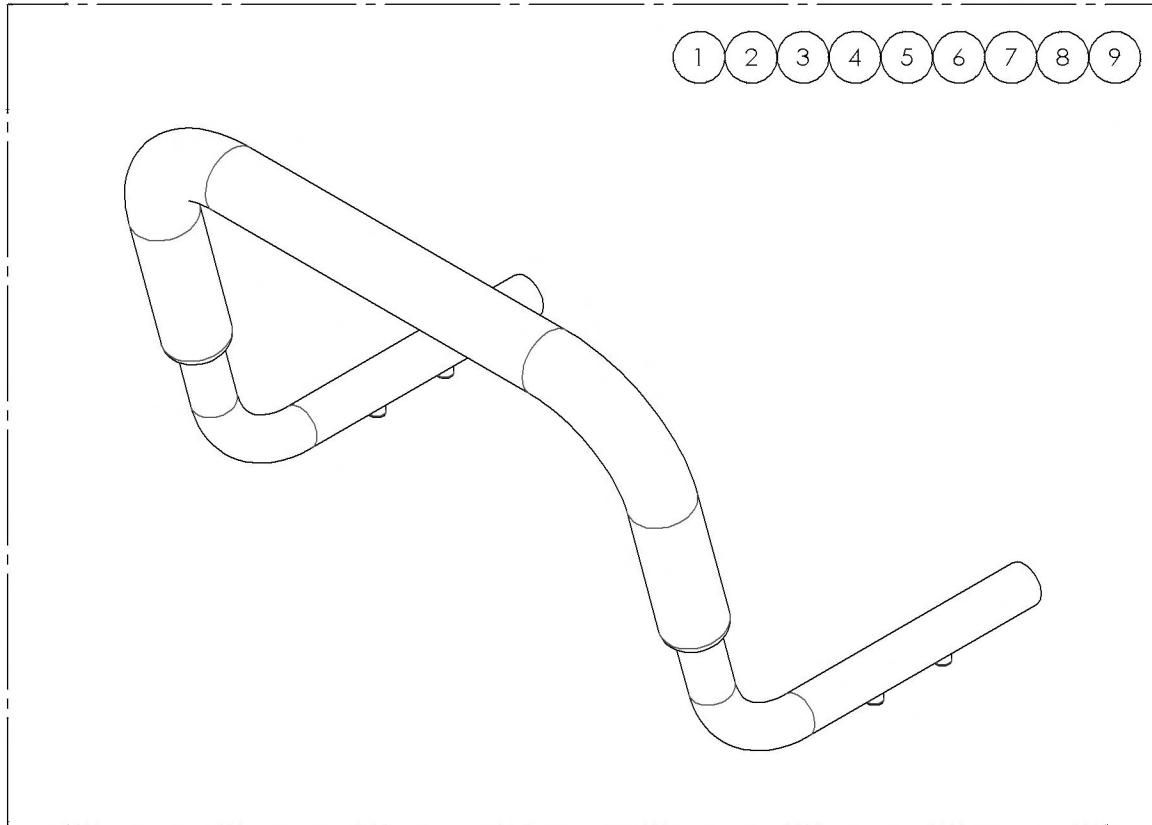
ITEM NO.	PARTNO	DESCRIPTION	QTY.
1	9001060	Sticker - Helio C2, Footrest, Left - White	1
2	9001061	Sticker - Helio C2, Footrest, Left - Black	1
3	9001062	Sticker - Helio A7, Footrest, Left - White	1
4	9001063	Sticker - Helio A7, Footrest, Left - Black	1
5	9001064	Sticker - Helio Kids, Footrest, Left - White	1
6	9001065	Sticker - Helio Kids, Footrest, Left - Black	1



MAKE SURE TO HAVE YOUR SERIAL NUMBER
NEARBY WHEN ORDERING PARTS FOR YOUR
MOTION COMPOSITES WHEELCHAIR

Accessories Catalogue
Stroller Handles

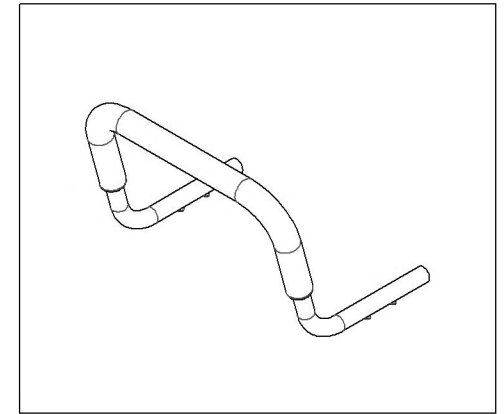
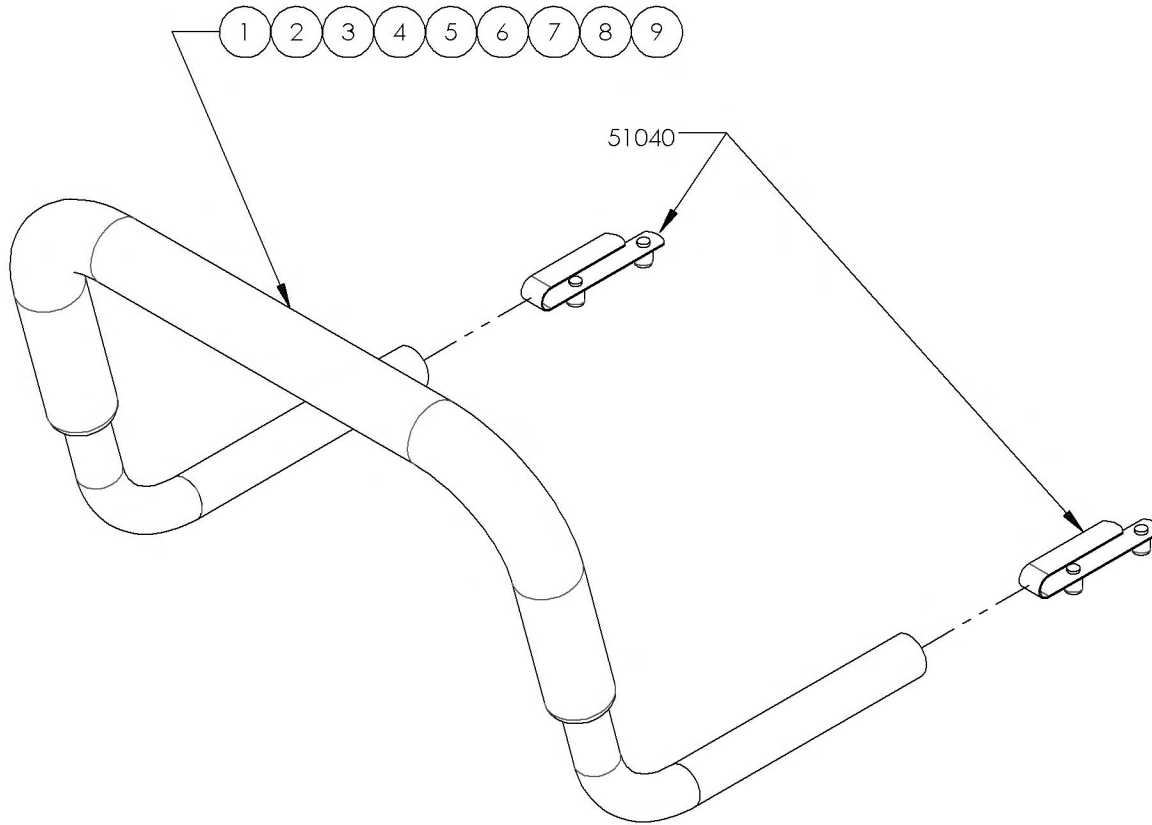
ITEM NO.	PARTNO	DESCRIPTION	QTY
1	9001605	Stroller Handle - 12 in	1
2	9001606	Stroller Handle - 13 in	1
3	9001607	Stroller Handle - 14 in	1
4	9001608	Stroller Handle - 15 in	1
5	9001609	Stroller Handle - 16 in	1
6	9001610	Stroller Handle - 17 in	1
7	9001611	Stroller Handle - 18 in	1
8	9001612	Stroller Handle - 19 in	1
9	9001613	Stroller Handle - 20 in	1



MAKE SURE TO HAVE YOUR SERIAL NUMBER
NEARBY WHEN ORDERING PARTS FOR YOUR
MOTION COMPOSITES WHEELCHAIR

**9001605_9001613
Stroller Handles**

ITEM NO.	PARTNO	DESCRIPTION	9001605 /QTY.	9001606 /QTY.	9001607 /QTY.	9001608 /QTY.	9001609 /QTY.	9001610 /QTY.	9001611 /QTY.	9001612 /QTY.	9001613 /QTY.
1	51525	12" STROLLER HANDLE - ASSEMBLY	1	-	-	-	-	-	-	-	-
2	51526	13" STROLLER HANDLE - ASSEMBLY	-	1	-	-	-	-	-	-	-
3	51527	14" STROLLER HANDLE - ASSEMBLY	-	-	1	-	-	-	-	-	-
4	51528	15" STROLLER HANDLE - ASSEMBLY	-	-	-	1	-	-	-	-	-
5	51529	16" STROLLER HANDLE - ASSEMBLY	-	-	-	-	1	-	-	-	-
6	51530	17" STROLLER HANDLE - ASSEMBLY	-	-	-	-	-	1	-	-	-
7	51531	18" STROLLER HANDLE - ASSEMBLY	-	-	-	-	-	-	1	-	-
8	51532	19" STROLLER HANDLE - ASSEMBLY	-	-	-	-	-	-	-	1	-
9	51533	20" STROLLER HANDLE - ASSEMBLY	-	-	-	-	-	-	-	-	1



Accessories Catalogue
Tool Kit

ITEM NO.	PARTNO	DESCRIPTION	QTY.
1	9001643	Tool Kit	1



MAKE SURE TO HAVE YOUR SERIAL NUMBER
NEARBY WHEN ORDERING PARTS FOR YOUR
MOTION COMPOSITES WHEELCHAIR

**9001643
Tool Kit**

ITEM NO.	PARTNO	DESCRIPTION	QTY.
1	80001	Threaded Knob	1
2	51120	Metric Tool Kit	1
3	80002	3° Tool	1



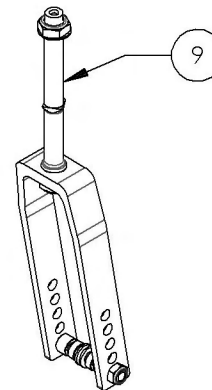
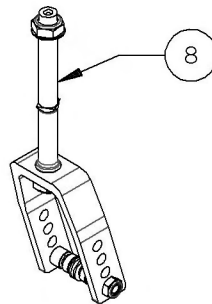
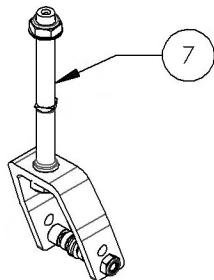
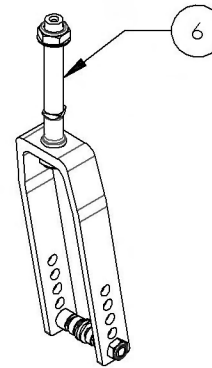
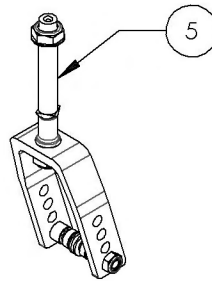
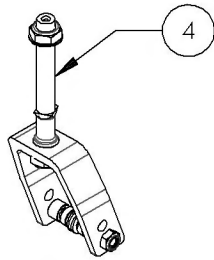
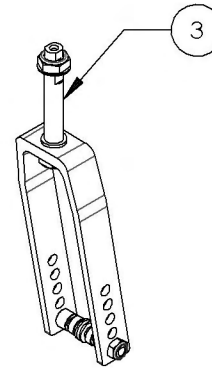
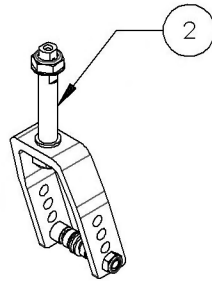
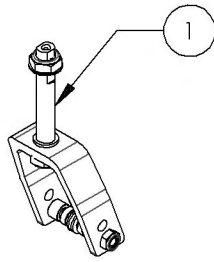
Accessories Catalogue
Helio T-Shirt

ITEM NO.	PARTNO	DESCRIPTION	QTY.
1	9001635	T-Shirt - Motion Composites Small	1
2	9001636	T-Shirt - Motion Composites Medium	1
3	9001637	T-Shirt - Motion Composites Large	1
4	9001638	T-Shirt - Motion Composites X-Large	1
5	9001639	T-Shirt - Motion Composites XX-Large	1



MAKE SURE TO HAVE YOUR SERIAL NUMBER
NEARBY WHEN ORDERING PARTS FOR YOUR
MOTION COMPOSITES WHEELCHAIR

**Quick Order Catalogue
Fork Assembly**

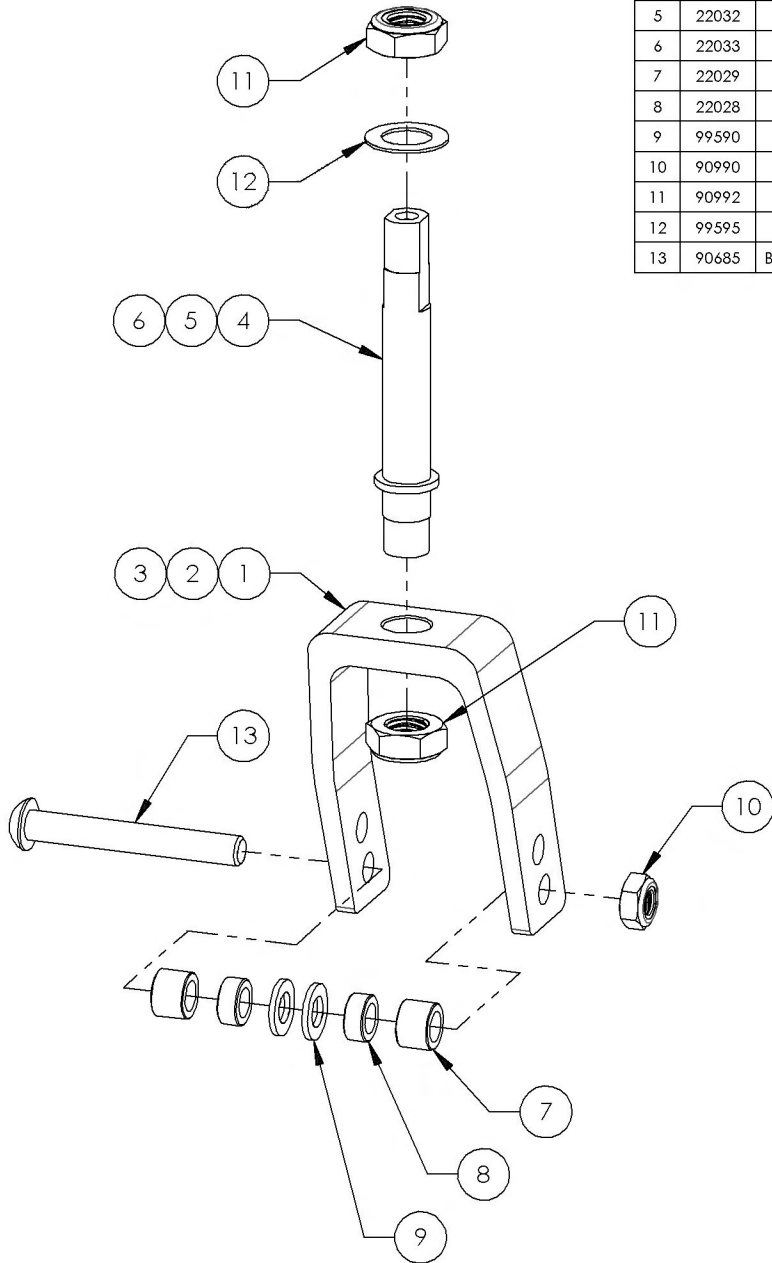


ITEM NO.	PARTNO	DESCRIPTION	QTY.
1	9002185	Fork - 4 in, STD Stem bolt + Hardware	1
2	9002186	Fork - 5 in, STD Stem bolt + Hardware	1
3	9002187	Fork - 7 in, STD Stem bolt + Hardware	1
4	9002188	Fork - 4 in, Stem bolt +1 in + Hardware	1
5	9002189	Fork - 5 in, Stem bolt +1 in + Hardware	1
6	9002190	Fork - 7 in, Stem bolt +1 in + Hardware	1
7	9002191	Fork - 4 in, Stem bolt +2 in + Hardware	1
8	9002192	Fork - 5 in, Stem bolt +2 in + Hardware	1
9	9002193	Fork - 7 in, Stem bolt +2 in + Hardware	1

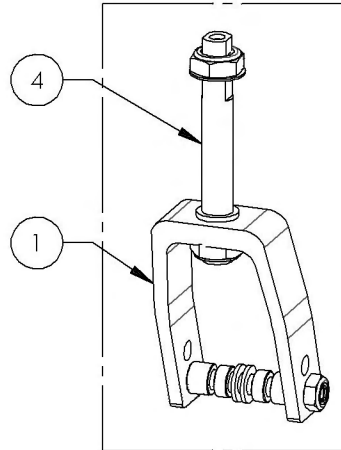
MAKE SURE TO HAVE YOUR SERIAL NUMBER
NEARBY WHEN ORDERING PARTS FOR YOUR
MOTION COMPOSITES WHEELCHAIR

9002185_9002193
Fork - Stem bolt + Hardware

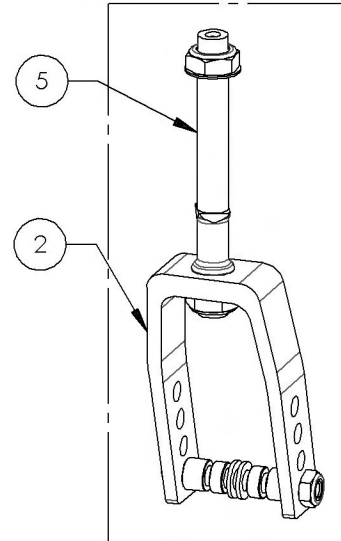
ITEM NO.	PARTNO	DESCRIPTION	9002185 /QTY.	9002186 /QTY.	9002187 /QTY.	9002188 /QTY.	9002189 /QTY.	9002190 /QTY.	9002191 /QTY.	9002192 /QTY.	9002193 /QTY.
1	22106	FORK 4"	1	-	-	1	-	-	1	-	-
2	22107	FORK 5"	-	1	-	-	1	-	-	1	-
3	22109	FORK 7"	-	-	1	-	-	1	-	-	1
4	22031	STEM BOLT STD	1	1	1	-	-	-	-	-	-
5	22032	STEM BOLT + 1	-	-	-	1	1	1	-	-	-
6	22033	STEM BOLT + 2	-	-	-	-	-	-	1	1	1
7	22029	CASTER SPACER LARGE	2	2	2	2	2	2	2	2	2
8	22028	CASTER SPACER SMALL	2	2	2	2	2	2	2	2	2
9	99590	WASHER 5/16 - 21/64 ID X 19/32 OD X .062THK	2	2	2	2	2	2	2	2	2
10	90990	M8 LOW NYLON LOCK	1	1	1	1	1	1	1	1	1
11	90992	M12 LOW NYLON LOCK	2	2	2	2	2	2	2	2	2
12	99595	WASHER 1_2, 17_32 ID X 7_8 OD X .032 THK	1	1	1	1	1	1	1	1	1
13	90685	BUTTON HEAD CAP SCREW M8X1.25 X 60mm LONG, 28mm THREADED	1	1	1	1	1	1	1	1	1



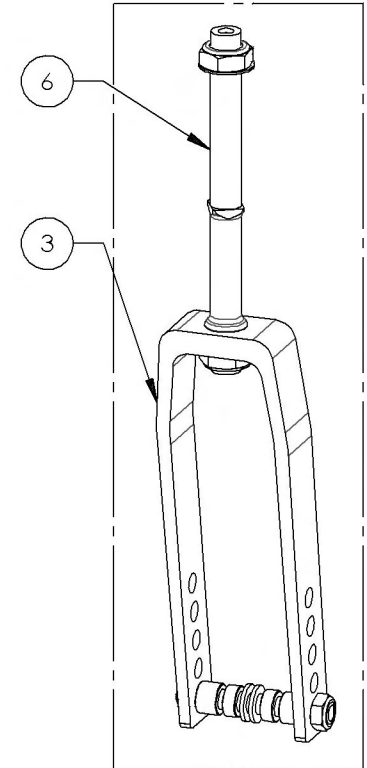
WITH 4" FORK AND
 STD. STEM BOLT



WITH 5" FORK AND
 +1" STEM BOLT

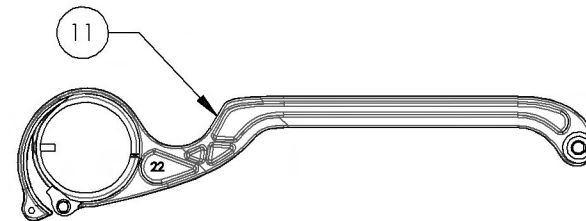
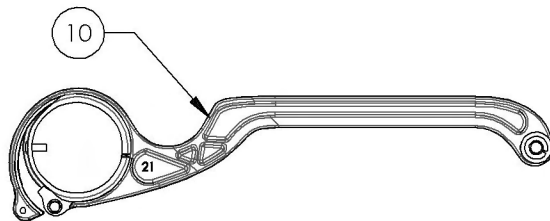
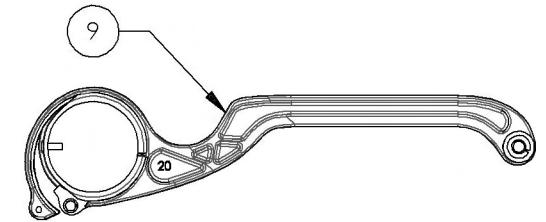
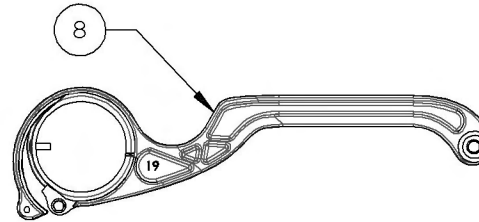
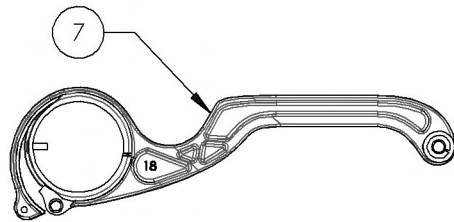
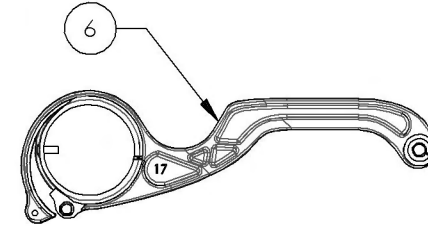
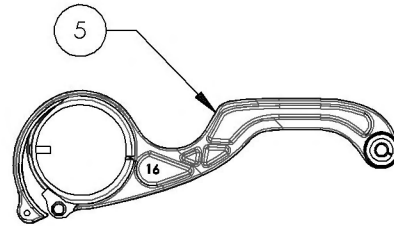
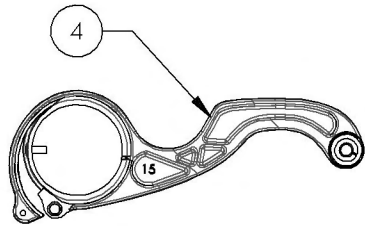
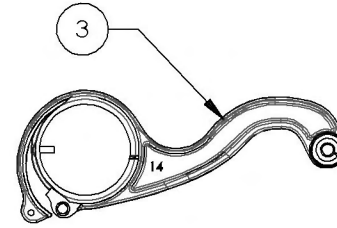
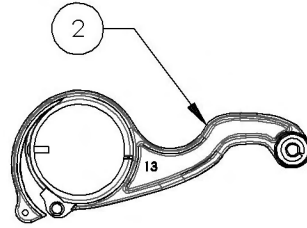
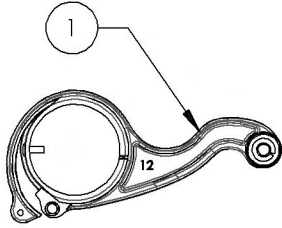


WITH 7" FORK AND
 +2" STEM BOLT



**Quick Order Catalogue
Link & Hardware**

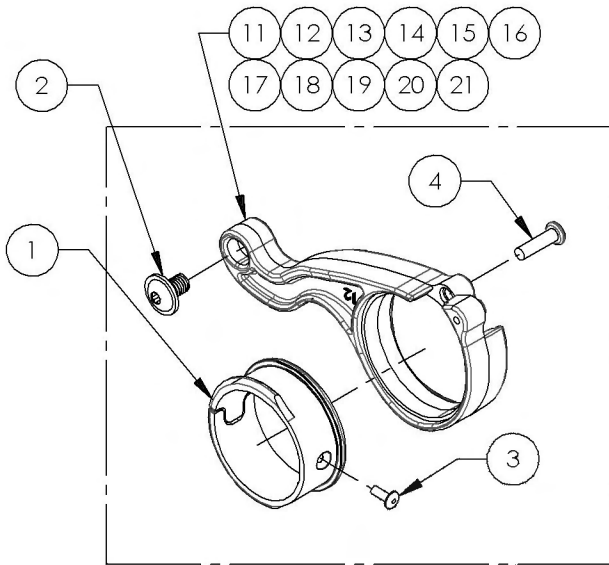
ITEM NO.	PARTNO	DESCRIPTION	QTY.
1	9002150	Link - 12 in + Hardware	1
2	9002151	Link - 13 in + Hardware	1
3	9002152	Link - 14 in + Hardware	1
4	9002153	Link - 15 in + Hardware	1
5	9002154	Link - 16 in + Hardware	1
6	9002155	Link - 17 in + Hardware	1
7	9002156	Link - 18 in + Hardware	1
8	9002157	Link - 19 in + Hardware	1
9	9002158	Link - 20 in + Hardware	1
10	9002159	Link - 21 in + Hardware	1
11	9002160	Link - 22 in + Hardware	1



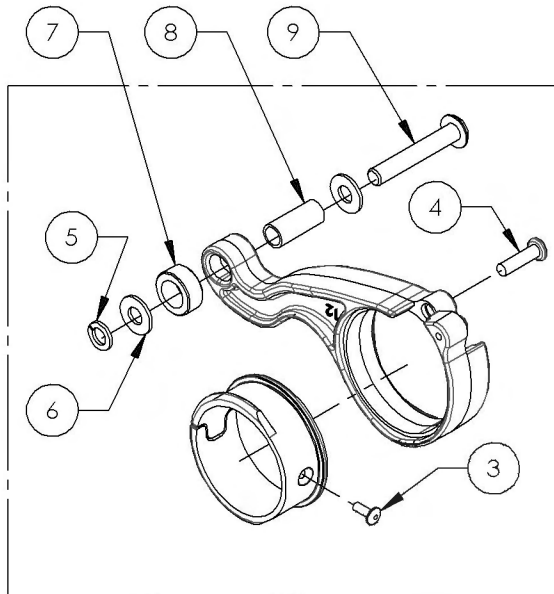
MAKE SURE TO HAVE YOUR SERIAL NUMBER
NEARBY WHEN ORDERING PARTS FOR YOUR
MOTION COMPOSITES WHEELCHAIR

9002150_9002160
Link + Hardware

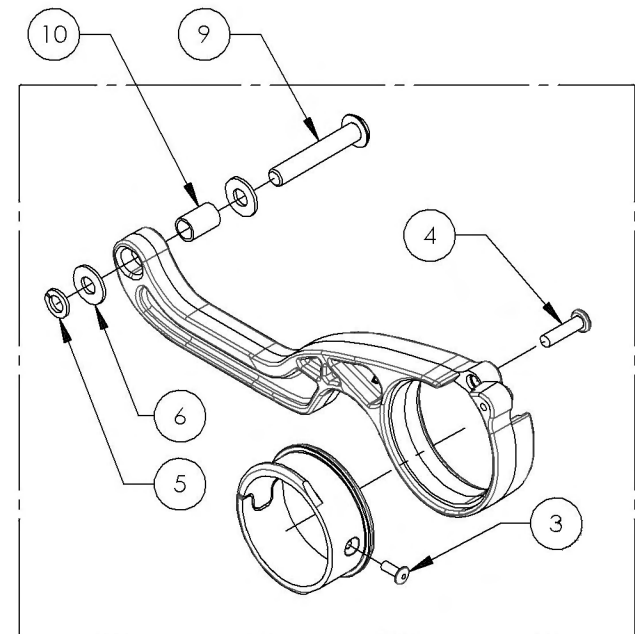
ITEM NO.	PARTNO	DESCRIPTION	9002150 /QTY.	9002151 /QTY.	9002152 /QTY.	9002153 /QTY.	9002154 /QTY.	9002155 /QTY.	9002156 /QTY.	9002157 /QTY.	9002158 /QTY.	9002159 /QTY.	9002160 /QTY.
1	12140	LINK GUIDE	1	1	1	1	1	1	1	1	1	1	1
2	91009	FLANGE BUTTON HEAD CAP SCREW, M5X.8 X 8mm	1	1	1	1	1	1	1	1	1	1	1
3	99660	POP RIVET 3_32 D X .365 L X .126_250	1	1	1	1	1	1	1	1	1	1	1
4	99000	SCREW PHILLIPS PAN HD #6-32 X 1/2	1	1	1	1	1	1	1	1	1	1	1
5	99598	LOCKWASHER #10 (.062 WIDE X .047 THK)	1	1	1	1	1	1	1	1	1	1	1
6	99550	WASHER #10 .200 ID X 7_16 OD X .037 THK	2	2	2	2	2	2	2	2	2	2	2
7	22028	CASTER SPACER SMALL	1	1	1	1	1	-	-	-	-	-	-
8	99605	SPACER M5 BOLT, 16MM LG, 0.7MM WALL THK	1	1	1	1	1	-	-	-	-	-	-
9	90651	BUTTON HEAD CAP SCREW M5X0.8 X 30mm LONG, FULLY THREADED	1	1	1	1	1	1	1	1	1	1	1
10	99600	SPACER M5 BOLT, 10MM LG, 0.7MM WALL THK	-	-	-	-	-	1	1	1	1	1	1
11	12152	12in A7_C2 LINK	1	-	-	-	-	-	-	-	-	-	-
12	12153	13in A7_C2 LINK	-	1	-	-	-	-	-	-	-	-	-
13	12154	14in A7_C2 LINK	-	-	1	-	-	-	-	-	-	-	-
14	12155	15in A7_C2 LINK	-	-	-	1	-	-	-	-	-	-	-
15	12156	16in A7_C2 LINK	-	-	-	-	1	-	-	-	-	-	-
16	12157	17in A7_C2 LINK	-	-	-	-	-	1	-	-	-	-	-
17	12158	18in A7_C2 LINK	-	-	-	-	-	-	1	-	-	-	-
18	12159	19in A7_C2 LINK	-	-	-	-	-	-	-	1	-	-	-
19	12160	20in A7_C2 LINK	-	-	-	-	-	-	-	-	1	-	-
20	12161	21in A7_C2 LINK	-	-	-	-	-	-	-	-	-	1	-
21	12162	22in A7_C2 LINK	-	-	-	-	-	-	-	-	-	-	1



ACTUAL ASSEMBLY



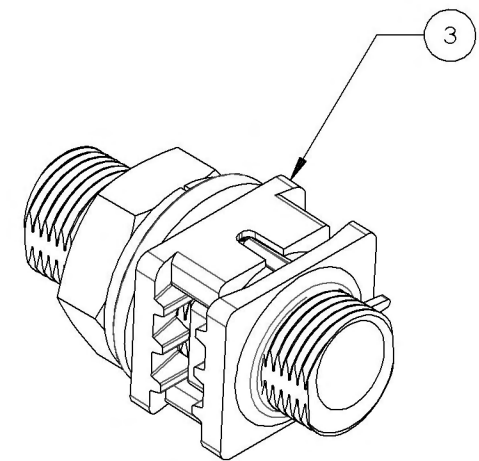
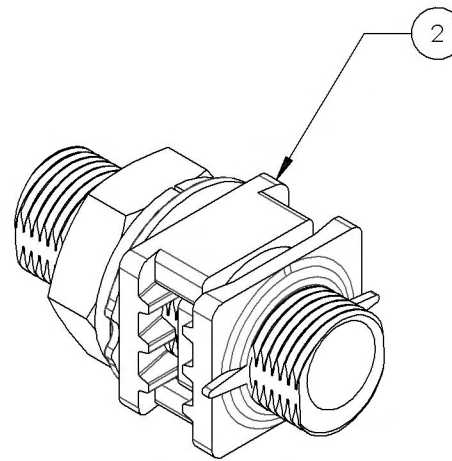
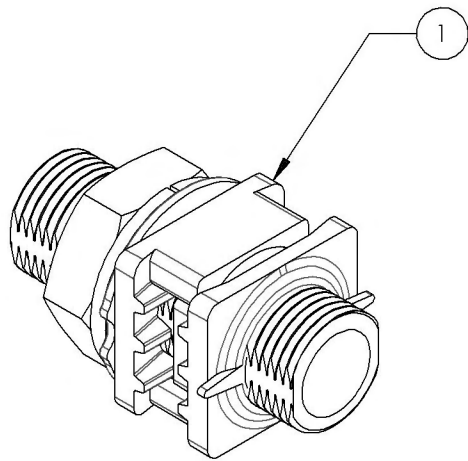
PREVIOUS ASSEMBLY (12" TO 16")



PREVIOUS ASSEMBLY (17" TO 22")

Quick Order Catalogue
Rear Bushing Assembly

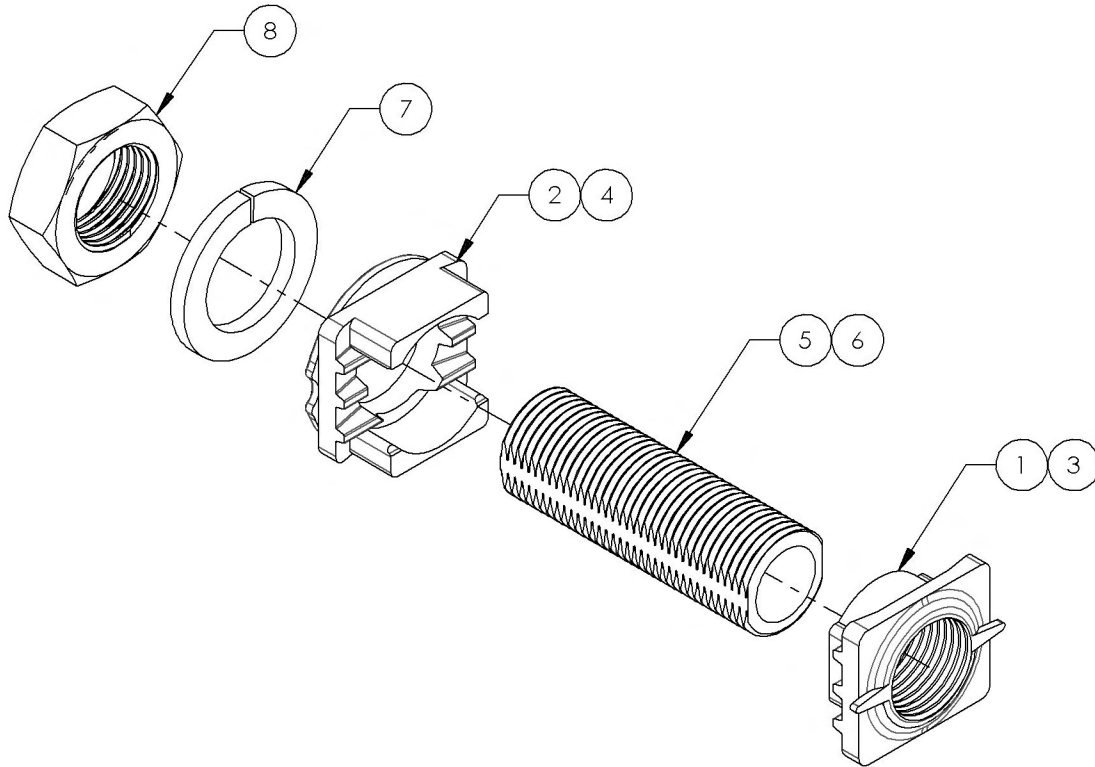
ITEM NO.	PARTNO	DESCRIPTION	QTY.
1	9002166	Rear Wheel - 0° Axle Bushing + Hardware	1
2	9002167	Rear Wheel - 3° Axle Bushing + Hardware	1
3	9002168	Rear Wheel - 6° Axle Bushing + Hardware	1



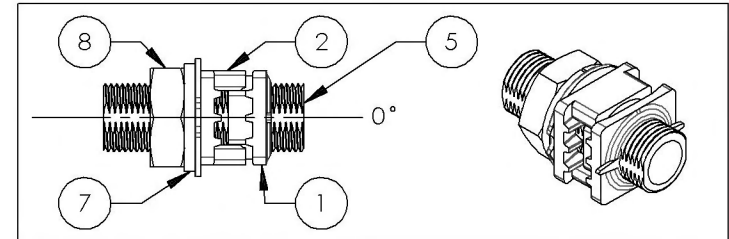
MAKE SURE TO HAVE YOUR SERIAL NUMBER
NEARBY WHEN ORDERING PARTS FOR YOUR
MOTION COMPOSITES WHEELCHAIR

9002166_9002168
Rear Wheel - Axle Bushing + Hardware

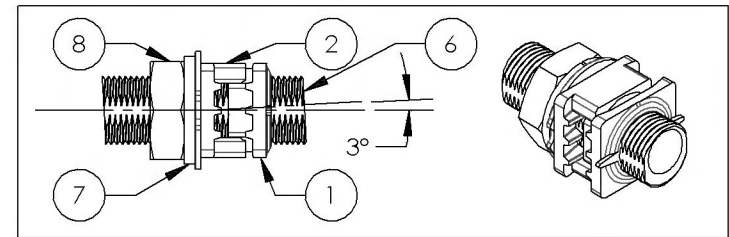
ITEM NO.	PARTNO	DESCRIPTION	9002166 /QTY.	9002167 /QTY.	9002168 /QTY.
1	21019	POSITIONING NUT 0° V2	1	1	-
2	21020	V2 0° BUSHING KIT	1	1	-
3	21021	POSITIONING NUT 3° V2	-	-	1
4	21022	FACE PLATE 3° V2	-	-	1
5	21008	0° BUSHING M18x1.5	1	-	-
6	21009	3° BUSHING M18x1.5	-	1	1
7	99597	LOCK WASHER M18 X 1.5	1	1	1
8	99536	NUT M18X1.5	1	1	1



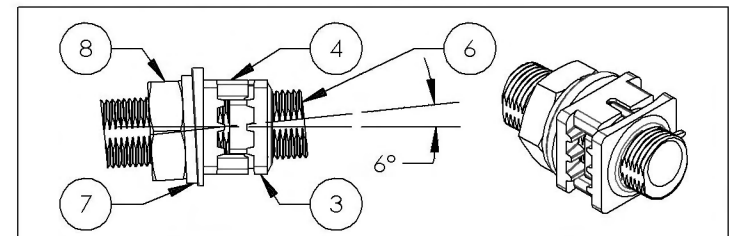
9002166
 Rear Wheel - 0° Axle Bushing + Hardware



9002167
 Rear Wheel - 3° Axle Bushing + Hardware

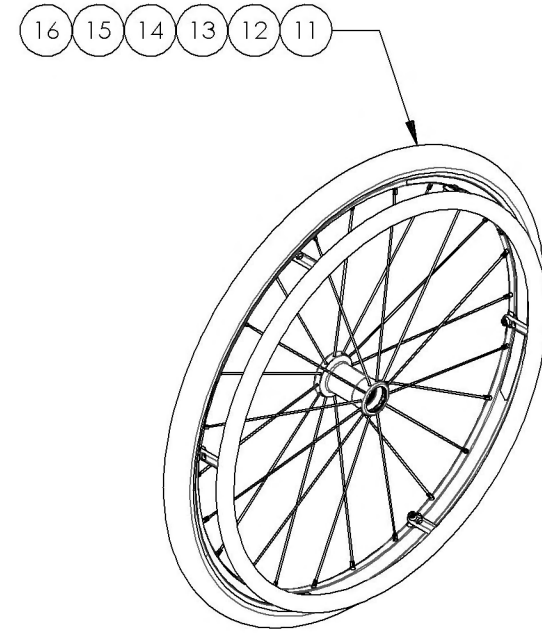
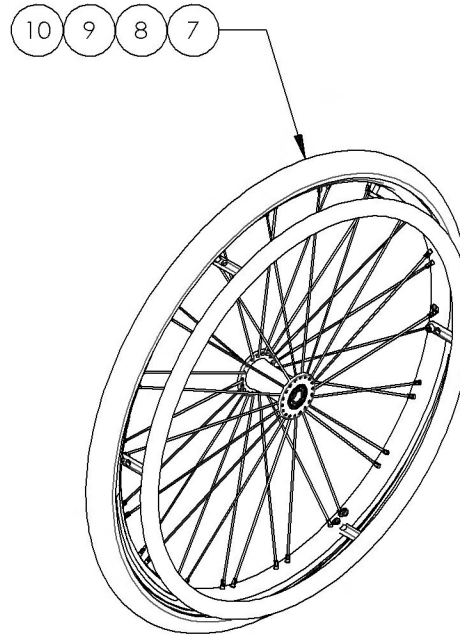
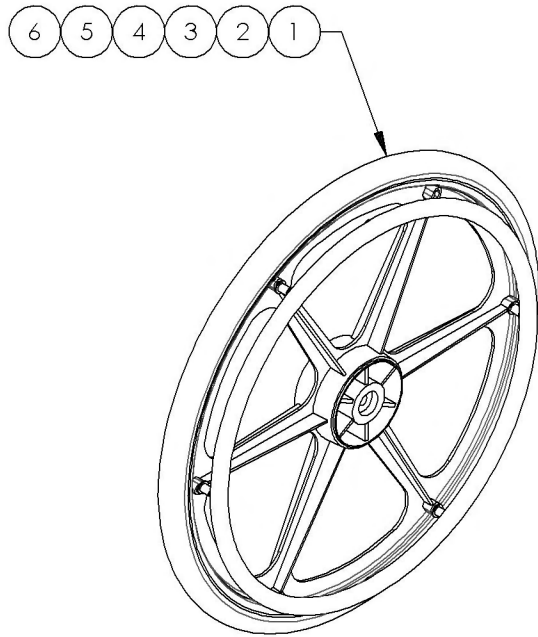


9002168
 Rear Wheel - 6° Axle Bushing + Hardware



**Quick Order Catalogue
Rear Wheel Assembly**

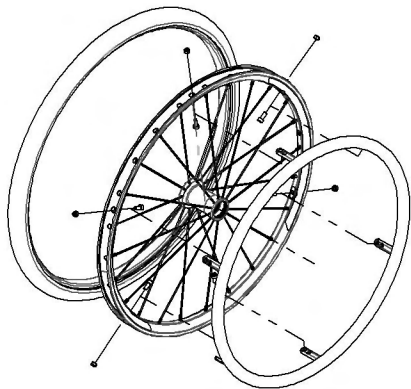
ITEM NO.	PARTNO	DESCRIPTION	QTY.
1	9002169	Rear Wheel - Mag + Soft Urethane Tire + Aluminum Handrim, 20 in	1
2	9002170	Rear Wheel - Mag + Soft Urethane Tire + Plastic Coated Handrim, 20 in	1
3	9002171	Rear Wheel - Mag + Soft Urethane Tire + Aluminum Handrim, 22 in	1
4	9002172	Rear Wheel - Mag + Soft Urethane Tire + Plastic Coated Handrim, 22 in	1
5	9002173	Rear Wheel - Mag + Soft Urethane Tire + Aluminum Handrim, 24 in	1
6	9002174	Rear Wheel - Mag + Soft Urethane Tire + Plastic Coated Handrim, 24 in	1
7	9002175	Rear Wheel - Newton One + Soft Urethane Tire + Aluminum Handrim, 22 in	1
8	9002176	Rear Wheel - Newton One + Soft Urethane Tire + Plastic Coated Handrim, 22 in	1
9	9002177	Rear Wheel - Newton One + Soft Urethane Tire + Aluminum Handrim, 24 in	1
10	9002178	Rear Wheel - Newton One + Soft Urethane Tire + Plastic Coated Handrim, 24 in	1
11	9002179	Rear Wheel - Newton Gravity + Soft Urethane Tire + Aluminum Handrim, 20 in	1
12	9002180	Rear Wheel - Newton Gravity + Soft Urethane Tire + Plastic Coated Handrim, 20 in	1
13	9002181	Rear Wheel - Newton Gravity + Soft Urethane Tire + Aluminum Handrim, 22 in	1
14	9002182	Rear Wheel - Newton Gravity + Soft Urethane Tire + Plastic Coated Handrim, 22 in	1
15	9002183	Rear Wheel - Newton Gravity + Soft Urethane Tire + Aluminum Handrim, 24 in	1
16	9002184	Rear Wheel - Newton Gravity + Soft Urethane Tire + Plastic Coated Handrim, 24 in	1



MAKE SURE TO HAVE YOUR SERIAL NUMBER
NEARBY WHEN ORDERING PARTS FOR YOUR
MOTION COMPOSITES WHEELCHAIR

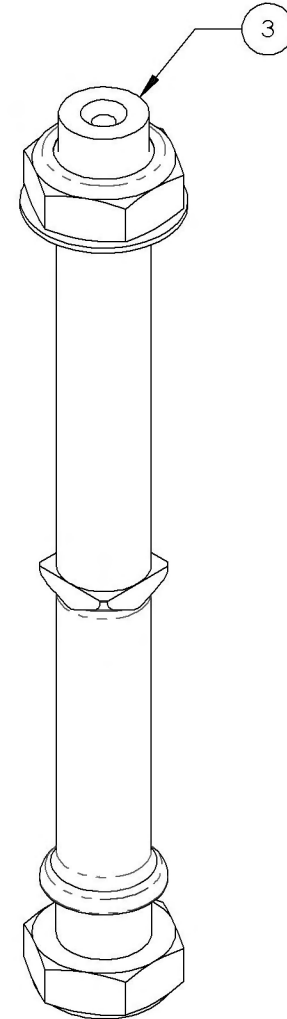
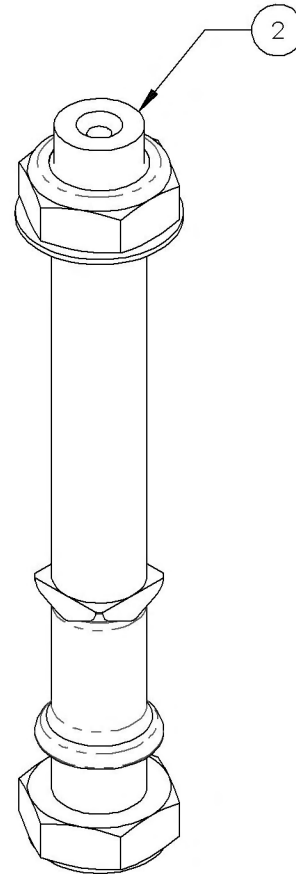
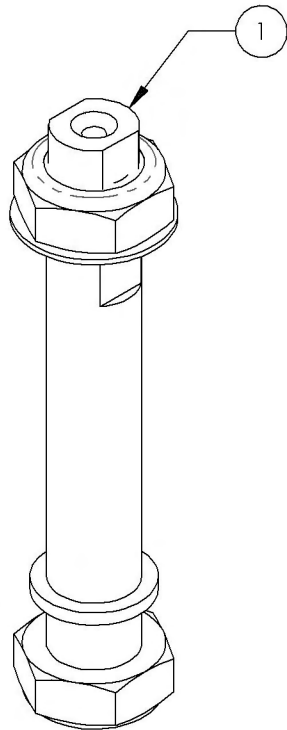
9002169_9002184
Rear Wheel Assembly

ITEM NO.	PARTNO	DESCRIPTION	9002169 /QTY.	9002170 /QTY.	9002171 /QTY.	9002172 /QTY.	9002173 /QTY.	9002174 /QTY.	9002175 /QTY.	9002176 /QTY.	9002177 /QTY.	9002178 /QTY.	9002179 /QTY.	9002180 /QTY.	9002181 /QTY.	9002182 /QTY.	9002183 /QTY.	9002184 /QTY.
1	21105	20" MAG WHEEL	1	1	-	-	-	-	-	-	-	-	-	-	-	-	-	-
2	21106	22" MAG WHEEL	-	-	1	1	-	-	-	-	-	-	-	-	-	-	-	-
3	21107	24" MAG WHEEL	-	-	-	-	1	1	-	-	-	-	-	-	-	-	-	-
4	21110	22" NEWTON ONE WHEEL	-	-	-	-	-	-	1	1	-	-	-	-	-	-	-	-
5	21111	24" NEWTON ONE WHEEL	-	-	-	-	-	-	-	-	1	1	-	-	-	-	-	-
6	21113	20" NEWTON GRAVITY WHEEL	-	-	-	-	-	-	-	-	-	-	1	1	-	-	-	-
7	21114	22" NEWTON GRAVITY WHEEL	-	-	-	-	-	-	-	-	-	-	-	-	1	1	-	-
8	21115	24" NEWTON GRAVITY WHEEL	-	-	-	-	-	-	-	-	-	-	-	-	-	-	1	1
9	21365	20" URETHANE TIRE	1	1	-	-	-	-	-	-	-	-	1	1	-	-	-	-
10	21366	22" URETHANE TIRE	-	-	1	1	-	-	1	1	-	-	-	-	1	1	-	-
11	21367	24" URETHANE TIRE	-	-	-	-	1	1	-	-	1	1	-	-	-	-	1	1
12	21236	20" ALUMINUM ANODIZED HANDRIM/ MAG WHEEL	1	-	-	-	-	-	-	-	-	-	-	-	-	-	-	-
13	21205	22" ALUMINUM ANODIZED HANDRIM- MAG WHEEL	-	-	1	-	-	-	-	-	-	-	-	-	-	-	-	-
14	21206	24" ALUMINUM ANODIZED HANDRIM- MAG WHEEL	-	-	-	-	1	-	-	-	-	-	-	-	-	-	-	-
15	21237	20" PLASTIC COATED HANDRIM/ MAG WHEEL	-	1	-	-	-	-	-	-	-	-	-	-	-	-	-	-
16	21207	22" PLASTIC COATED HANDRIM/ MAG WHEEL	-	-	-	1	-	-	-	-	-	-	-	-	-	-	-	-
17	21208	24" PLASTIC COATED HANDRIM/ MAG WHEEL	-	-	-	-	-	1	-	-	-	-	-	-	-	-	-	-
18	21200	20" ALUMINUM ANODIZED HANDRIM	-	-	-	-	-	-	-	-	-	-	1	-	-	-	-	-
19	21201	22" ALUMINUM ANODIZED HANDRIM	-	-	-	-	-	-	1	-	-	-	-	-	1	-	-	-
20	21202	24" ALUMINUM ANODIZED HANDRIM	-	-	-	-	-	-	-	-	1	-	-	-	-	-	1	-
21	21210	20" PLASTIC COATED HANDRIM	-	-	-	-	-	-	-	-	-	-	-	1	-	-	-	-
22	21211	22" PLASTIC COATED HANDRIM	-	-	-	-	-	-	-	1	-	-	-	-	-	1	-	-
23	21212	24" PLASTIC COATED HANDRIM	-	-	-	-	-	-	-	-	-	1	-	-	-	-	-	1
24	99601	SPACER HANDRIM MAG (last: 200 + 200 comm)	6	6	4	4	4	4	-	-	-	-	-	-	-	-	-	-
25	99564	FLAT WASHER M5 POUR HANDRIM MAG	12	12	8	8	8	8	-	-	-	-	-	-	-	-	-	-
26	90989	M5 LOW NYLON LOCK	-	-	-	-	-	-	-	-	-	-	6	6	6	6	6	6
27	21500	REAR WHEEL LOCKNUT INSERT - ASSEMBLY	-	-	-	-	-	-	6	6	6	6	-	-	-	-	-	-
28	99015	SCREW PHILLIPS #10-32 X 2" HANDRIM MAG	6	6	4	4	4	4	-	-	-	-	-	-	-	-	-	-
29	90744	SOCKET CAP SCREW M5X0.8 X 12mm LONG, FULLY THREADED	-	-	-	-	-	-	-	-	-	-	6	6	6	6	6	6
30	90745	SOCKET CAP SCREW M5X0.8 X 14mm LONG, FULLY THREADED	-	-	-	-	-	-	6	6	6	6	-	-	-	-	-	-



**Quick Order Catalogue
Stem Bolt Assembly**

ITEM NO.	PARTNO	DESCRIPTION	QTY.
1	9002161	Stem Bolt Standard + Hardware	1
2	9002162	Stem Bolt +1 in + Hardware	1
3	9002163	Stem Bolt +2 in + Hardware	1

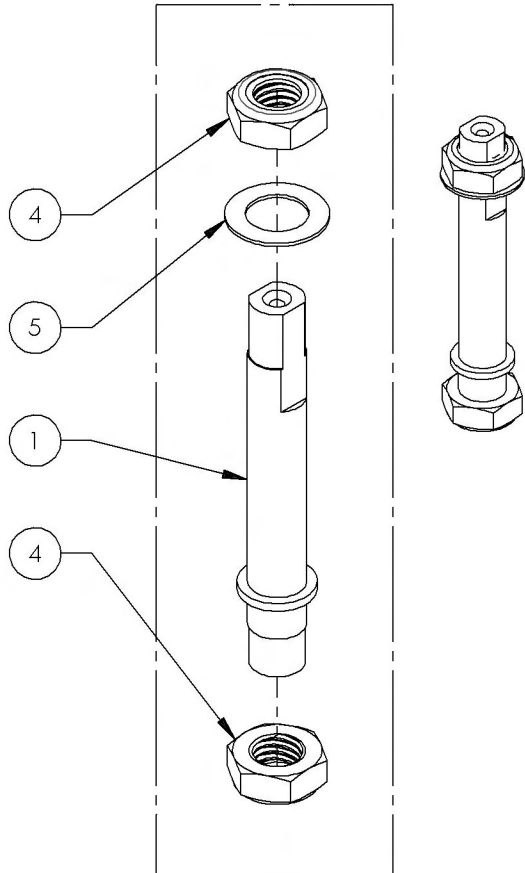


MAKE SURE TO HAVE YOUR SERIAL NUMBER
NEARBY WHEN ORDERING PARTS FOR YOUR
MOTION COMPOSITES WHEELCHAIR

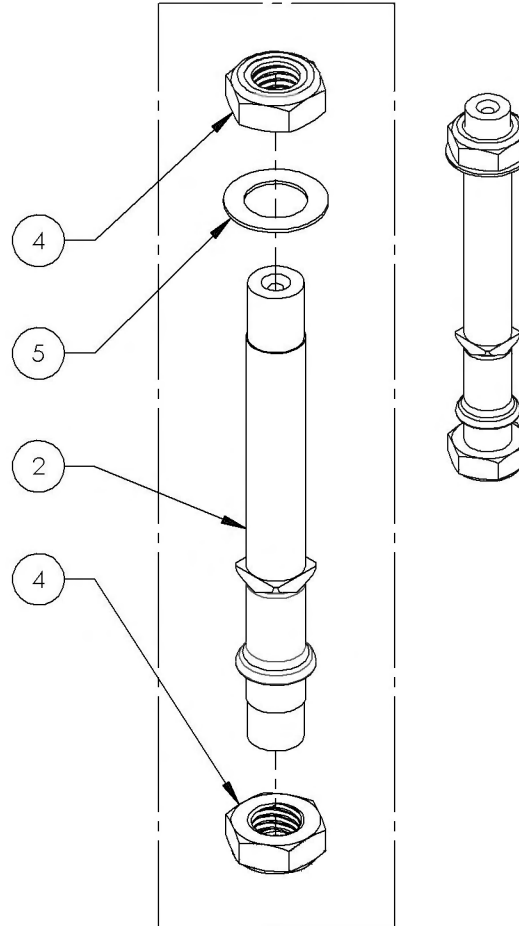
**9002161_9002163
Stem Bolt + Hardware**

ITEM NO.	PARTNO	DESCRIPTION	9002161 /QTY.	9002162 /QTY.	9002163 /QTY.
1	22031	STEM BOLT STD	1	-	-
2	22032	STEM BOLT + 1	-	1	-
3	22033	STEM BOLT + 2	-	-	1
4	90992	M12 LOW NYLON LOCK	2	2	2
5	99595	WASHER 1_2, 17_32 ID X 7_8 OD X .032 THK	1	1	1

9002161
STANDARD STEM BOLT & HARDWARE



9002162
+1" STEM BOLT & HARDWARE



9002163
+2" STEM BOLT & HARDWARE

