

LSR KID

Spare Part Catalog:



POP



POP RED



YELLOW



PINK



LSR KID

Stand-Up and Relax Wheelchair

Permobil Group's Head Office**Permobil AB**

Box 120

861 23 Timrå

Sweden

Tel +46 60 59 59 00

Fax + 46 60 57 52 50

E-mail info@permobil.se**Permobil Inc. USA**

6961 Eastgate Blvd.

Lebanon TN 37090

USA

Phone 800-736-0925

Fax 800-231-3256

Email info@permobilusa.com**Lifestand Groupe Permobil**

5 rue Clément Ader

69740 Genas

France

Tel. +33 (0)4 37 26 27 28

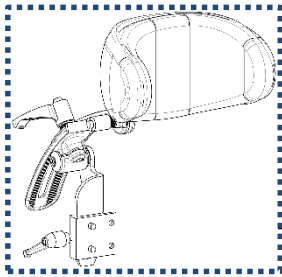
Fax +33 (0)4 37 26 27 29

Email info@permobil.com

Summary

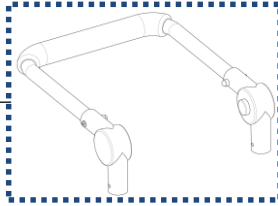
Frame.....	7
Front crosstube	9
Rear crosstube.....	11
Wheel fork + fork - Left.....	13
Wheel fork + fork - Right	15
Front wheel 4" (pair).....	17
Front wheel 5" (pair).....	17
Backrest tubes	19
Width adjustment of lower seat frame	19
Backrest extension.....	21
Backrest crosstube.....	23
Armrest	25
Left armrest.....	25
Right armrest	27
Upper seat tube.....	29
Upper seat width adjustment.....	29
Lower seat.....	31
Brakes.....	33
Left brake for wheel 20" pos. 1,2,3,4,5,6 / Wheel 22" pos. 1,2,3,4,5,6,7	33
Right brake for wheel 20" pos. 1,2,3,4,5,6 / Wheel 22" pos. 1,2,3,4,5,6,7	35
Left brake for wheel 20" pos.7	37
Right brake for wheel 20" pos. 7	39
Brake bracket.....	41
Brake extension	41
Headrest	43
Footplate	45
Plate.....	47
Kneerest.....	49
Kneerest nut.....	51
Pushbar.....	53

Electronics.....	55
Electronic box	55
Battery	55
Electronic various.....	55
Actuator	55
Charger + plugs	57
Security stand-up	57
Security relax	57
Textiles.....	59
Rear wheels	61
Rear wheels 20''.....	61
Rear wheels 22''.....	61
Wheel flange for 22'' wheels.....	61
Reflectors.....	61
Anti-tipper wheel	63
Side guards long	65
Side guards short	65
Trunk support.....	67
Worktable.....	69
Hip / thigh support	71
Abduction block.....	73

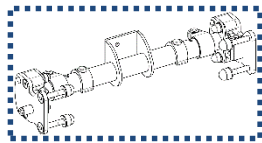
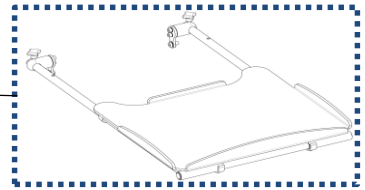


P 52-53

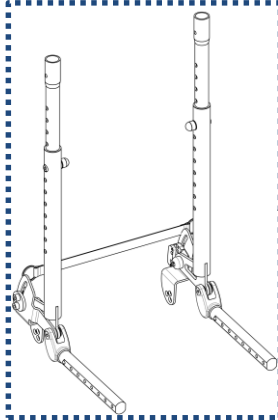
P 42-43



P 68-69

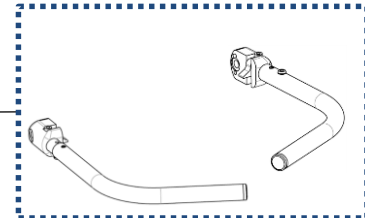


P 22-23

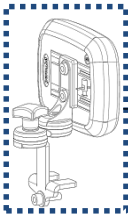


P 18-21

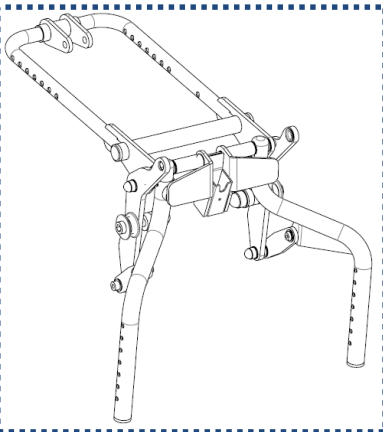
P 24-27



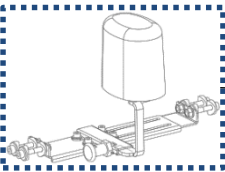
P 28-29



P 70-71

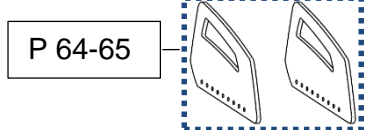


P 64-65



P 72-73

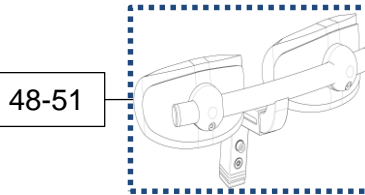
P 30-31



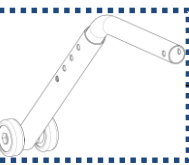
P 48-51



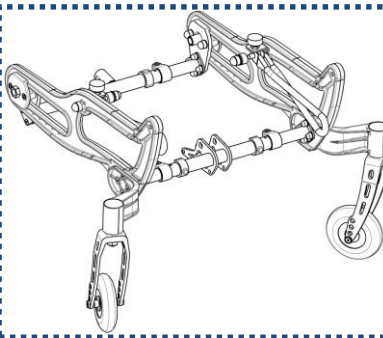
P 66-67



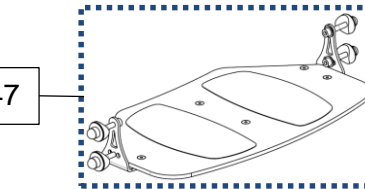
P 44-47



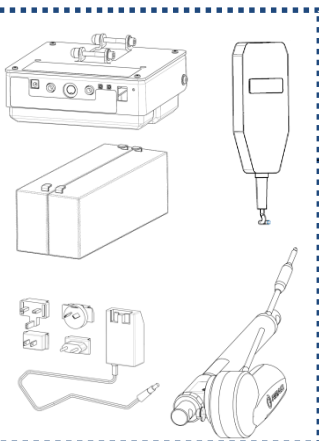
P 62-63



P 6-17



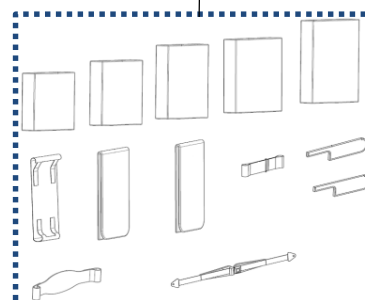
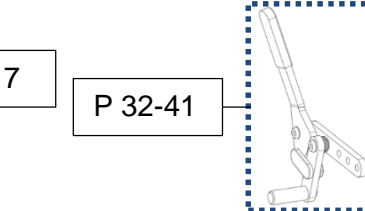
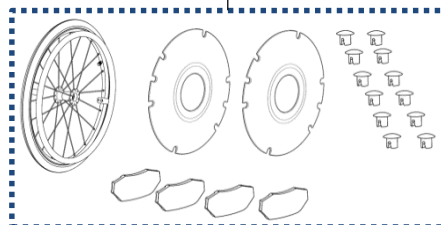
P 32-41



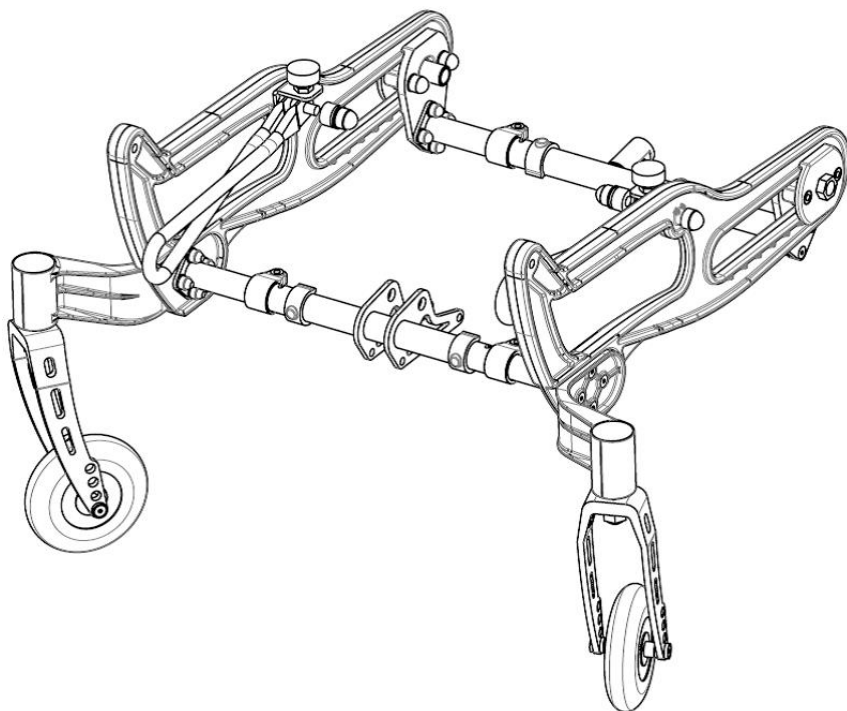
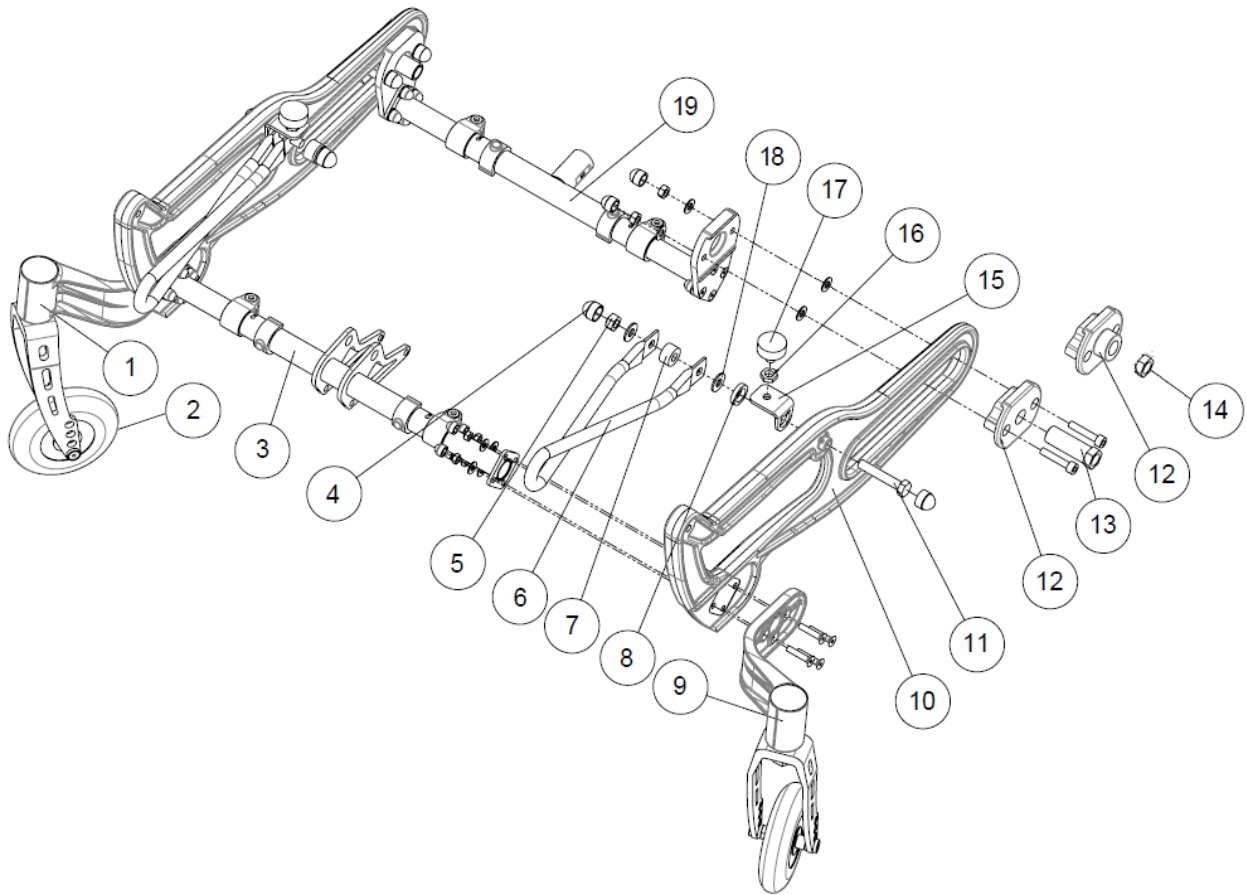
P 54-57

P 60-61

P 58-59



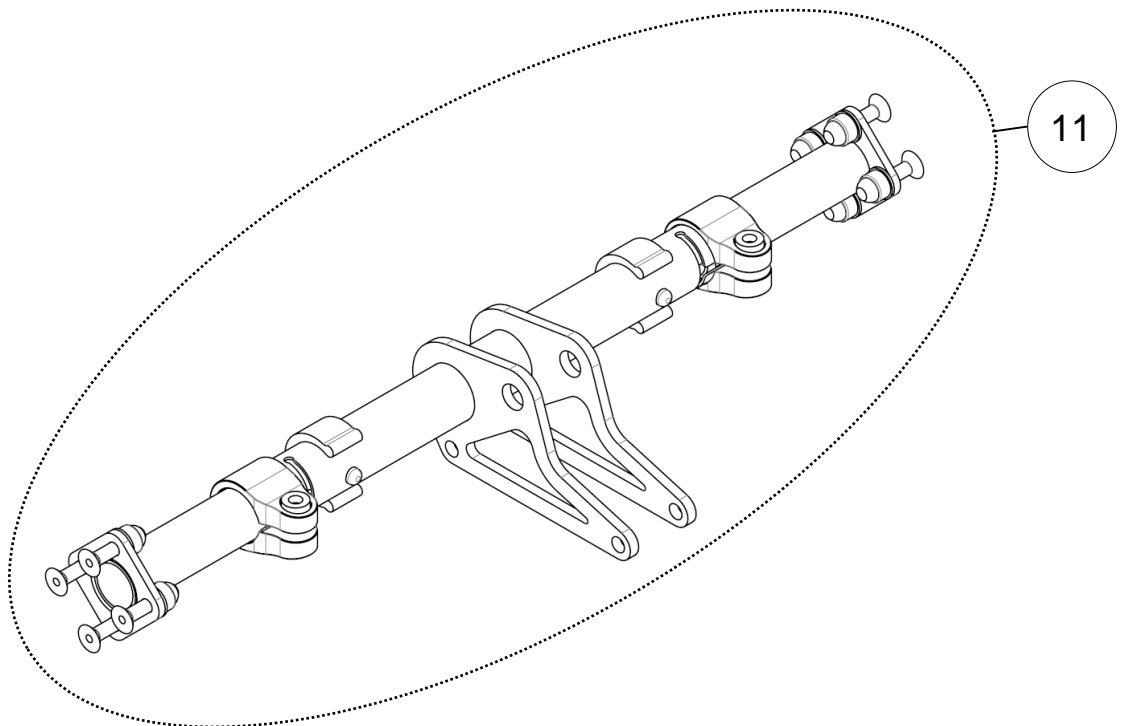
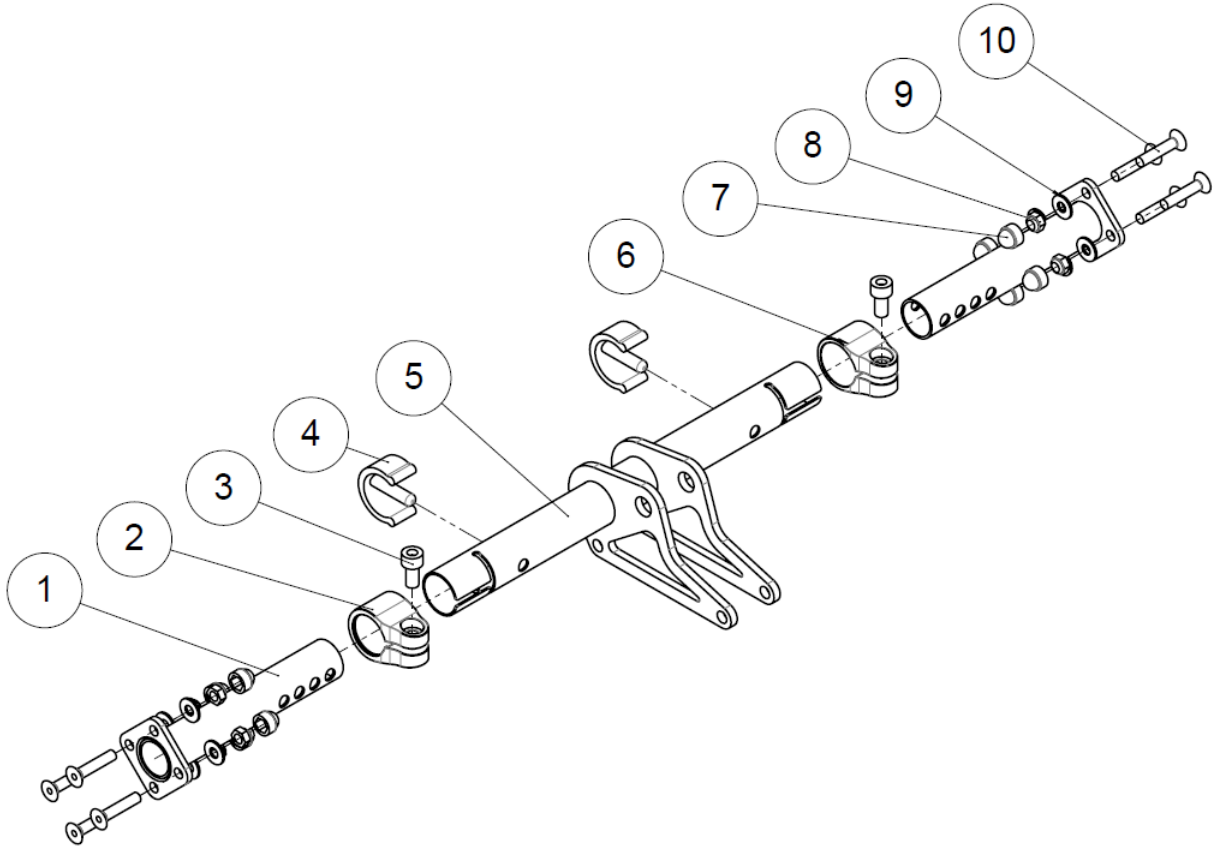
Frame



Frame

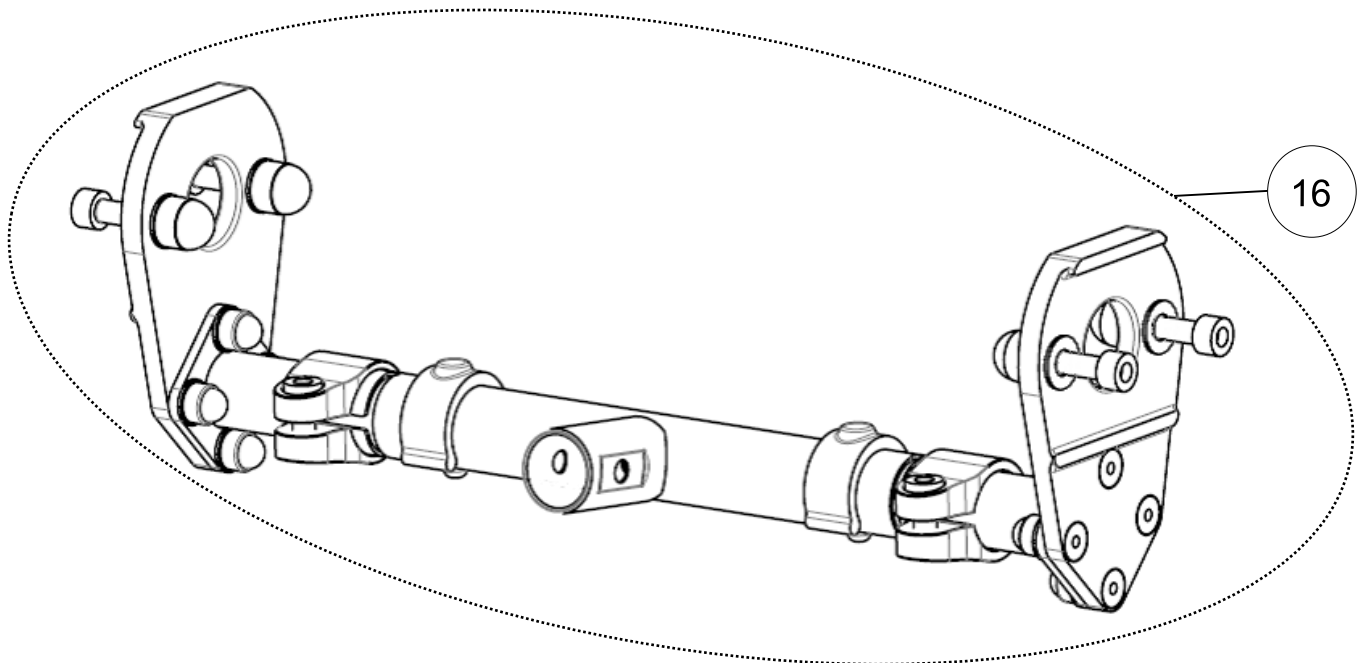
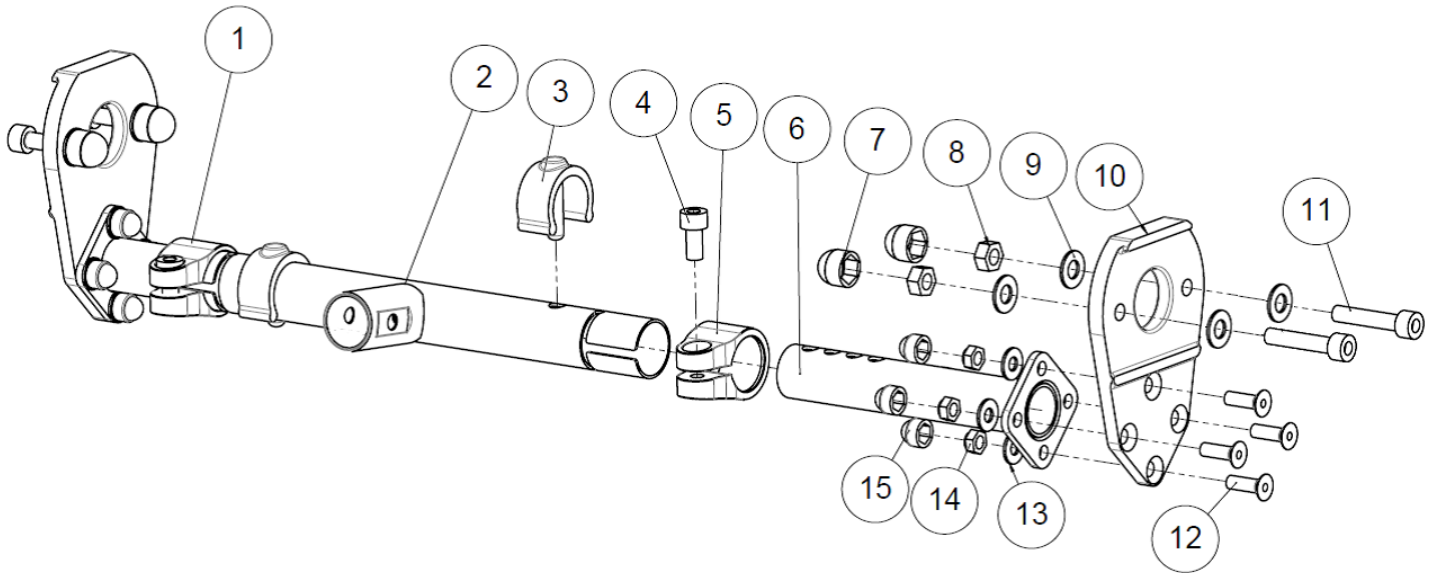
Frame

Pos	Qty	Stock Code	Description En	Description Fr	Remark
1	1	321784	Kit wheelfork + fork - Right	Kit support + fourche - Droit	See exploded view p.14
2	1	321965	Kit front wheel 4" (pair)	Kit roue avant 4" (paire)	See exploded view p.16
2	1	322259	Kit front wheel 5" (pair)	Kit roue avant 5" (paire)	See exploded view p.16
3	1	321774	Kit front crosstube	Kit traverse avant	See exploded view p.8
4	4	C0214XXXFO	Nut cap M8	Cache écrou M8	
5	2	ECR-HFR8ZN	Prevaling torque type hexagon nut M8	Ecrou frein M8	
6	2	MP434XXXFO	Strap elastic cord	Sandow Ø11 Lg. 400	
7	2	614368	Tubular spacer Ø18X8.2X10mm	Entretoise tubulaire Ø18X8.2X10mm	
8	2	321320	Spacer Ø20/Ø13.5X4mm	Entretoise Ø20/Ø13.5X4mm	
9	1	321686	Kit wheelfork + fork - Left	Kit support + fourche - Gauche	See exploded view p.12
10	2	321957	Seat frame blue	Châssis bleu	
		321968	Seat frame red	Châssis rouge	
		321970	Seat frame yellow	Châssis jaune	
		321969	Seat frame pink	Châssis rose	
11	2	VIS-H8X45ZN	Hexagon head screw M8x45	Vis tête hexagonal M8x45	
12	2	321389	Hub bracket 0°	Machoire essieu 0°	
12	2	321353	Hub bracket 6°	Machoire essieu 6°	
13	2	A7650X04FO	Bushing for quick release M16x1 - Ø12x50	Palier démontage rapide M16x1 Ø12x50	
14	2	L7005XECFO	Nut for wheel bearing	Ecrou zingué 22 pour palier QR	Used if camber 6° with 22" wheels
15	2	321584	Plate seat stop	Platine butée d'assise	
16	2	ECR-HM8ZN	Hexagon thin nut M8	Ecrou bas M8	
17	2	C1007XXXFO	Shock absorber 10mm	Amortisseur 10mm	
18	4	RON-M8ZN	Plain washer Ø8	Rondelle plate M Ø8	
19	1	321773	Kit rear crosstube	Kit traverse arrière	See exploded view p.10



Front crosstube

Pos	Qty	Stock Code	Description En	Description Fr	Remark
1	2	321496	Tube bracket	Tube de réglage largeur	
2	1	322101	Clamp tube right	Bague droite bridage traverse	
3	2	VIS-CHC6X12ZN	Hexagon socket head cap screw M6x12	Vis tête cylindrique M6x12 six pans creux	
4	2	614365	Tube lock Ø19,1mm	Verrou de tube Ø19,1mm	
5	1	321525	Tube bracket	Tube support vérin	
6	1	322100	Clamp tube left	Bague gauche bridage traverse	
7	8	614185	Nut cap M5	Cache écrou M5	
8	8	ECR-HFR5ZN	Prevailing torque type hexagon nut M5	Ecrou frein M5	
9	8	RON-M5ZN	Plain washer Ø5	Rondelle plate M Ø5	
10	8	VIS-FHC5X25ZN	Hexagon socket countersunk head screw M5x25	Vis tête fraisée M5x25 six pans creux	
11	1	321774	Kit front crosstube	Kit traverse avant	

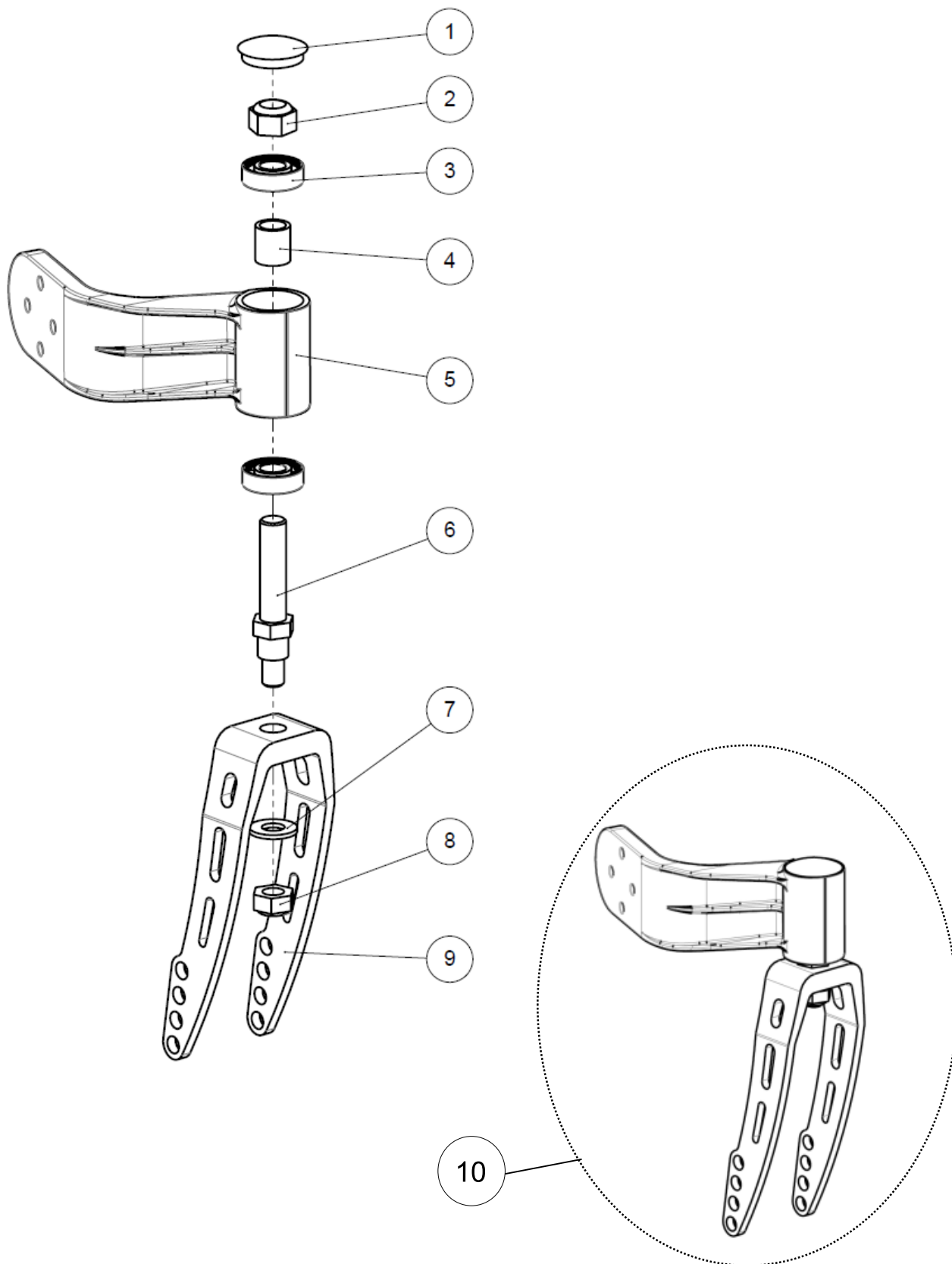


Frame

Rear crosstube

Rear crosstube

Pos	Qty	Stock Code	Description En	Description Fr	Remark
1	1	322101	Clamp tube right	Bague droite bridage traverse	
2	1	322092	Bracket rear	Tube arrière	
3	2	614365	Tube lock Ø19,1mm	Vérrou de tube Ø19,1mm	
4	2	VIS-CHC6X12ZN	Hexagon socket head cap screw M6x12	Vis tête cylindrique M6x12 six pans creux	
5	1	322100	Clamp tube left	Bague gauche bridage traverse	
6	2	321496	Tube bracket	Tube de réglage largeur	
7	4	C0215XXXFO	Nut cap M6	Cache écrou M6	
8	4	ECR-HFR6ZN	Prevaling torque type hexagon nut M6	Ecrou frein M6	
9	8	RON-M6ZN	Plain washer Ø6	Rondelle plate M Ø6	
10	2	321390	Bracket tube rear wheel	Plaque d'essieu arrière	
11	4	VIS-CHC6X30ZN	Hexagon socket head cap screw M6x30	Vis tête cylindrique M6x30 six pans creux	
12	8	VIS-FHC5X16ZN	Hexagon socket countersunk head screw M5x16	Vis tête fraisée M5x16 six pans creux	
13	8	RON-M5ZN	Plain washer Ø5	Rondelle plate M Ø5	
14	8	ECR-HFR5ZN	Prevaling torque type hexagon nut M5	Ecrou frein M5	
15	8	614185	Nut cap M5	Cache écrou M5	
16	1	321773	Kit rear crosstube	Kit traverse arrière	

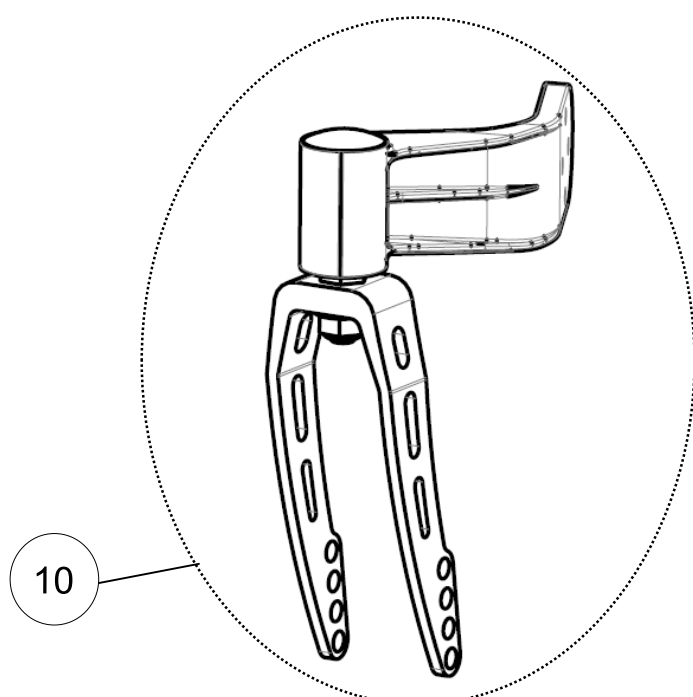
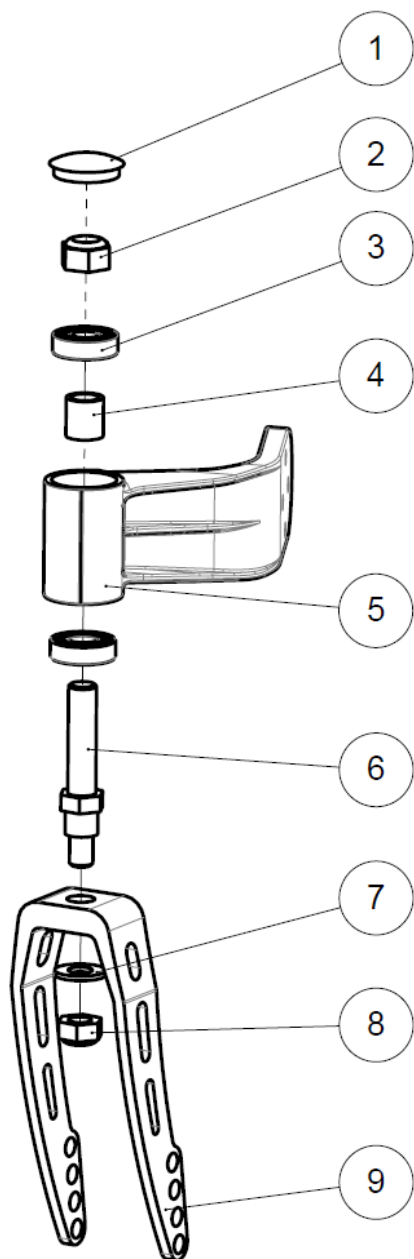


Frame

Wheel fork + fork - Left

Wheel fork + fork - Left

Pos	Qty	Stock Code	Description En	Description Fr	Remark
1	1	614209	Plug Ø32-Ø28mm	Obturateur bras de fourche	
2	1	ECR-HFR12ZN	Prevaling torque type hexagon nut M12	Ecrou frein M12	
3	2	K0001XXXFO	Ball bearing 6001 2RS	Roulement à billes 6001 2RS	
4	1	322088	Spacer Ø12xØ16x17mm	Spacer Ø16xØ12x17mm	
5	1	322058	Arm wheelfork left	Bras de fourche gauche	
6	1	K1006XXXZN	Fork axle	Axe de fourche	
7	1	RON-M10ZN	Plain washer Ø10	Rondelle plate M Ø10	
8	1	ECR-HFR10ZN	Prevaling torque type hexagon nut M10	Ecrou frein M10	
9	1	L7001XXXFO	Fork M14	Fourche M14	
10	1	321686	Kit wheel fork + fork – Left	Kit support + fourche - Gauche	



Frame

Wheel fork + fork - Right

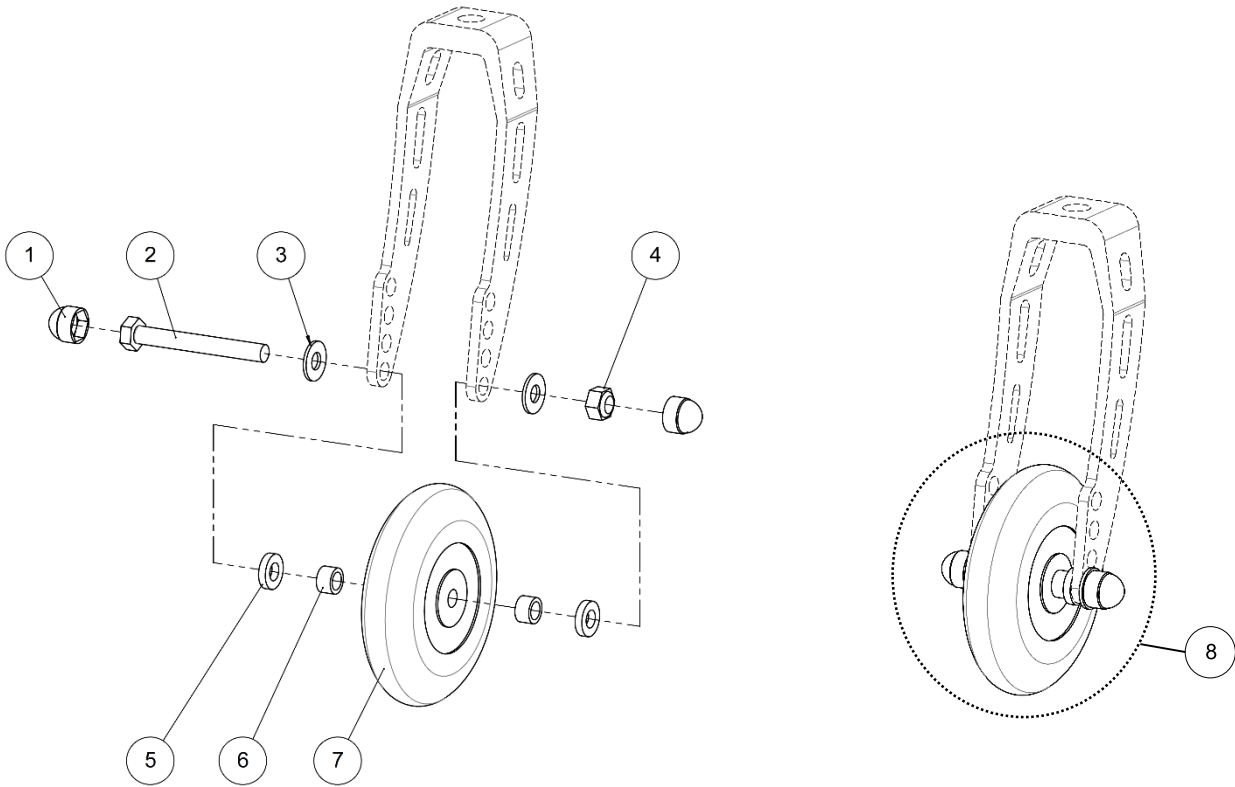
Wheel fork + fork - Right

Pos	Qty	Stock Code	Description En	Description Fr	Remark
1	1	614209	Plug Ø32-Ø28mm	Obturateur bras de fourche	
2	1	ECR-HFR12ZN	Prevaling torque type hexagon nut M12	Ecrou frein M12	
3	2	K0001XXXFO	Ball bearing 6001 2RS	Roulement à billes 6001 2RS	
4	1	322088	Spacer Ø12xØ16x17mm	Spacer Ø16xØ12x17mm	
5	1	322071	Arm wheelfork right	Bras de fourche droit	
6	1	K1006XXXZN	Fork axle	Axe de fourche	
7	1	RON-M10ZN	Plain washer Ø10	Rondelle plate M Ø10	
8	1	ECR-HFR10ZN	Prevaling torque type hexagon nut M10	Ecrou frein M10	
9	1	L7001XXXFO	Fork M14	Fourche M14	
10	1	321784	Kit wheel fork + fork - Right	Kit support + fourche - Droit	

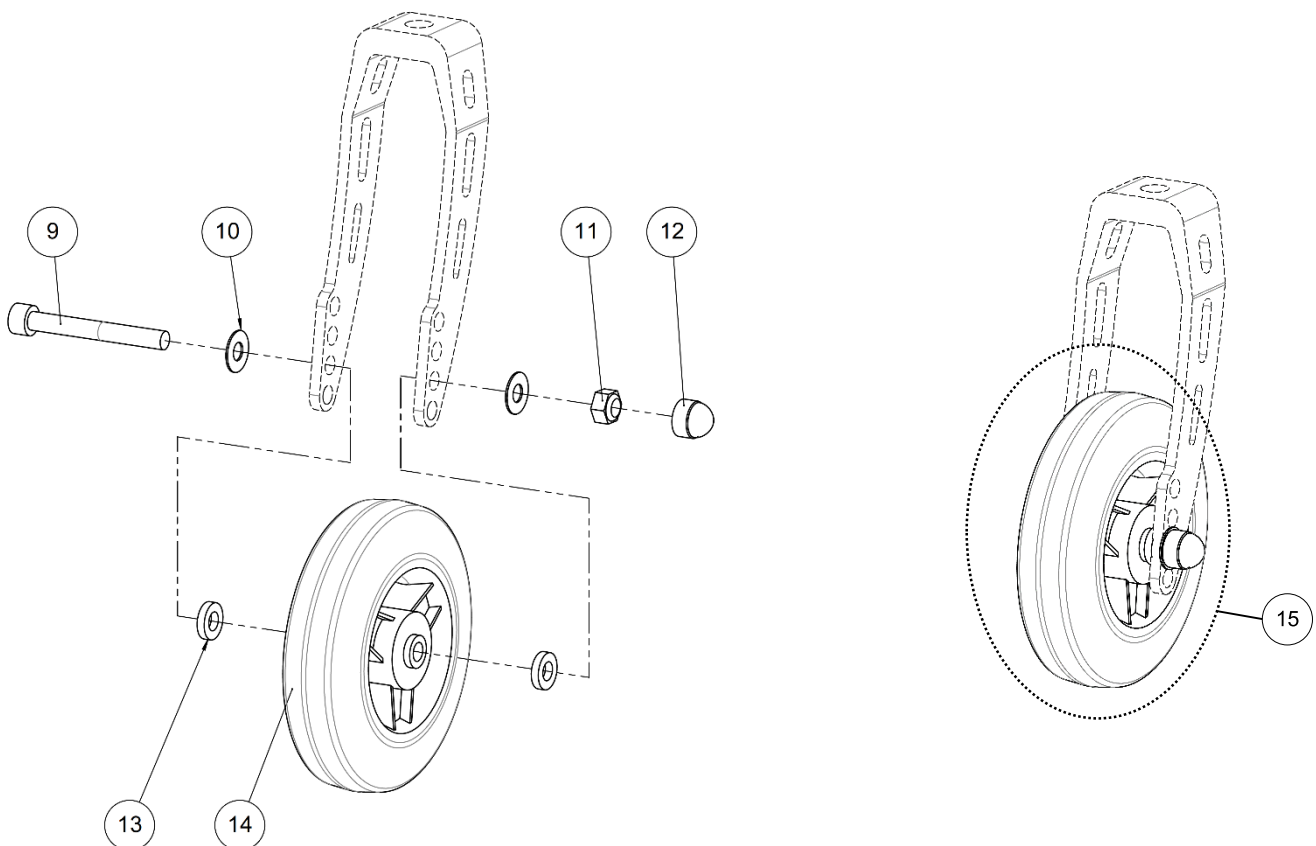
Frame

Front wheel

FRONT WHEEL 4" (PAIR)



FRONT WHEEL 5" (PAIR)

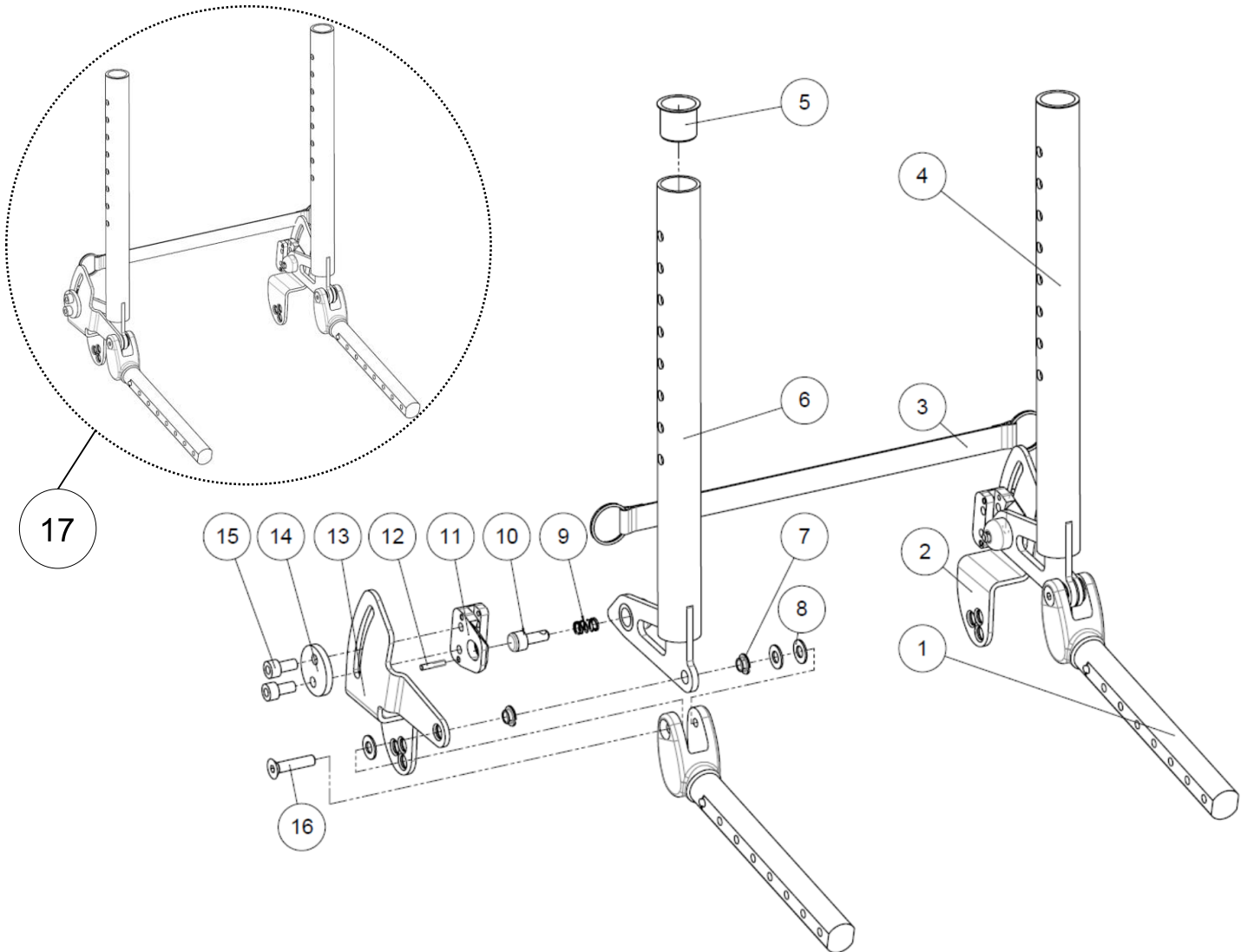


Front wheel 4" (pair)

Pos	Qty	Stock Code	Description En	Description Fr	Remark
1	4	C0214XXXFO	Nut cap M8	Cache écrou M8	
2	2	VIS-H8X65ZN	Hexagon head screw M8x65	Vis tête hexagonale M8x65	
3	4	RON-M8ZN	Plain washer Ø8	Rondelle plate M Ø8	
4	2	ECR-HFR8ZN	Prevailing torque type hexagon nut M8	Ecrou frein M8	
5	4	A8008XXXFO	Gas spring spacer	Entretoise de vérin	
6	4	321560	Spacer Ø11.8xØ8.2x7.1mm	Entretoise Ø11.8xØ8.2x7.1mm	
7	2	614687	Skater wheel 4" LED	Roue avant skater 4" LED	
8	1	321965	Kit front wheel 4" (pair)	Kit roue avant 4" (paire)	

Front wheel 5" (pair)

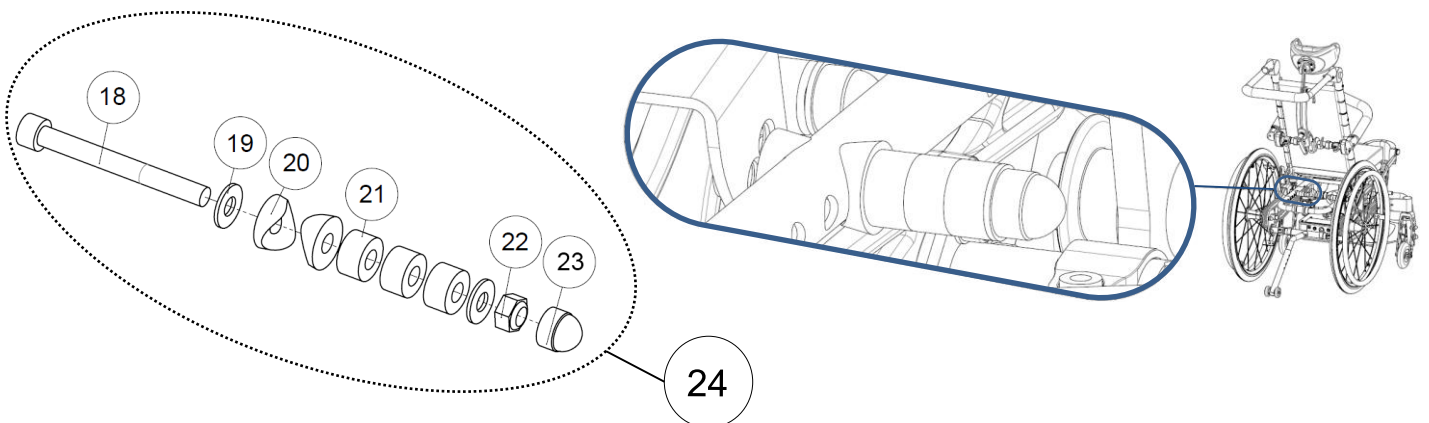
Pos	Qty	Stock Code	Description En	Description Fr	Remark
9	2	601700	Hexagon socket head cap screw M8x65	Vis tête cylindrique M8x65 six pans creux	
10	4	RON-M8FINEZN	Plain thin washer Ø8	Rondelle plate M fine Ø8	
11	2	ECR-HFR8ZN	Prevailing torque type hexagon nut M8	Ecrou frein M8	
12	2	C0214XXXFO	Nut cap M8	Cache écrou M8	
13	4	A8008XXXFO	Gas spring spacer	Entretoise de vérin	
14	2	A7013XXXFO	Castor soft roller 5"	Roue av softroller 5"	
15	1	322259	Kit front wheel 5" (pair)	Kit roue avant 5" (paire)	



CAUTION:

The kit backrest tubes 321632 doesn't include the kit width adjustment of lower seat frame 322130.

WIDTH ADJUSTMENT OF LOWER SEAT FRAME:



Backrest

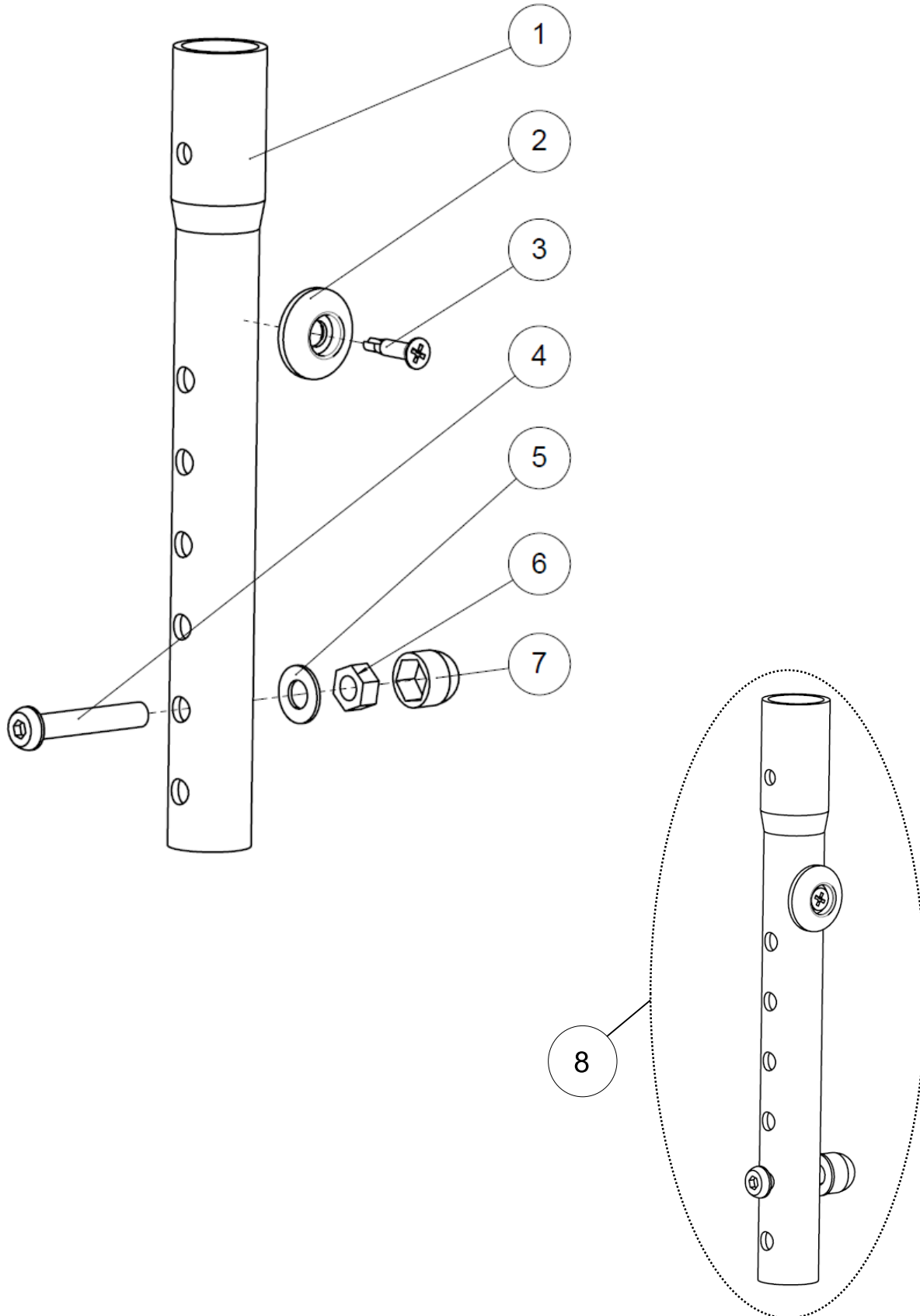
Backrest tubes

Backrest tubes					
Pos	Qty	Stock Code	Description En	Description Fr	Remark
1	2	321620	Backrest hinge seat adjustment	Coulisseau d'assise	
2	1	321582	Backrest plate seat support left	Joue de dossier gauche	
3	1	L4003X36FO	String release backrest size 36 cm	Cordelette dossier taille 36 cm	
4	1	321536	Backrest tube vertical left	Montant de dossier gauche	
5	2	614177	Bearing with flange Ø20/Ø21x20mm	Palier épaulé Ø20/Ø21x20mm	
6	1	321532	Backrest tube vertical right	Montant de dossier droit	
7	4	L0007060FO	Collar bearing 6x8x4mm	Coussinet à collerette 6x8x4mm	
8	6	RON-M6ZN	Plain washer Ø6	Rondelle plate M Ø6	
9	2	614184	Backrest spring	Ressort de dossier	
10	2	321549	Backrest pin locking	Doigt verrou de dossier	
11	2	L4108XXXZN	Block backrest locking	Bloc verrou dossier	
12	2	GOU-CANN3X16BR	Fluted lock pin G02 Ø3x16mm	Goupille cannelée G02 Ø3x16mm	
13	1	321583	Backrest plate seat support right	Joue de dossier droite	
14	2	L4109XXXPN	Plate backrest locking	Plaquette verrou dossier	
15	4	VIS-CHC6X12ZN	Hexagon socket head cap screw M6x12	Vis tête cylindrique M6x12 six pans creux	
16	2	L2108XXXZN	Screw M6x27	Vis coulisseau M6x27	
17	1	321632	Kit backrest tubes	Kit montants de dossier	

Width adjustment of lower seat frame					
Pos	Qty	Stock Code	Description En	Description Fr	Remark
18	1	602368	Hexagon socket head cap screw M8x75	Vis tête cylindrique M8x75 six pans creux	
19	2	RON-M8ZN	Plain washer Ø8	Rondelle plate M Ø8	
20	2	614224	Spacer for tube Ø21mm	Coupelle pour tube Ø21mm	
21	3	614368	Tubular spacer Ø18x8.2x10mm	Entretoise tubulaire Ø18x8.2x10mm	
22	1	ECR-HFR8ZN	Prevaling torque type hexagon nut M8	Ecrou frein M8	
23	2	C0214XXXFO	Nut cap M8	Cache écrou M8	
24	2	322130	Kit width adjustment of lower seat frame (unit)	Kit réglage largeur assise inférieure (l'unité)	

Backrest

Backrest extension



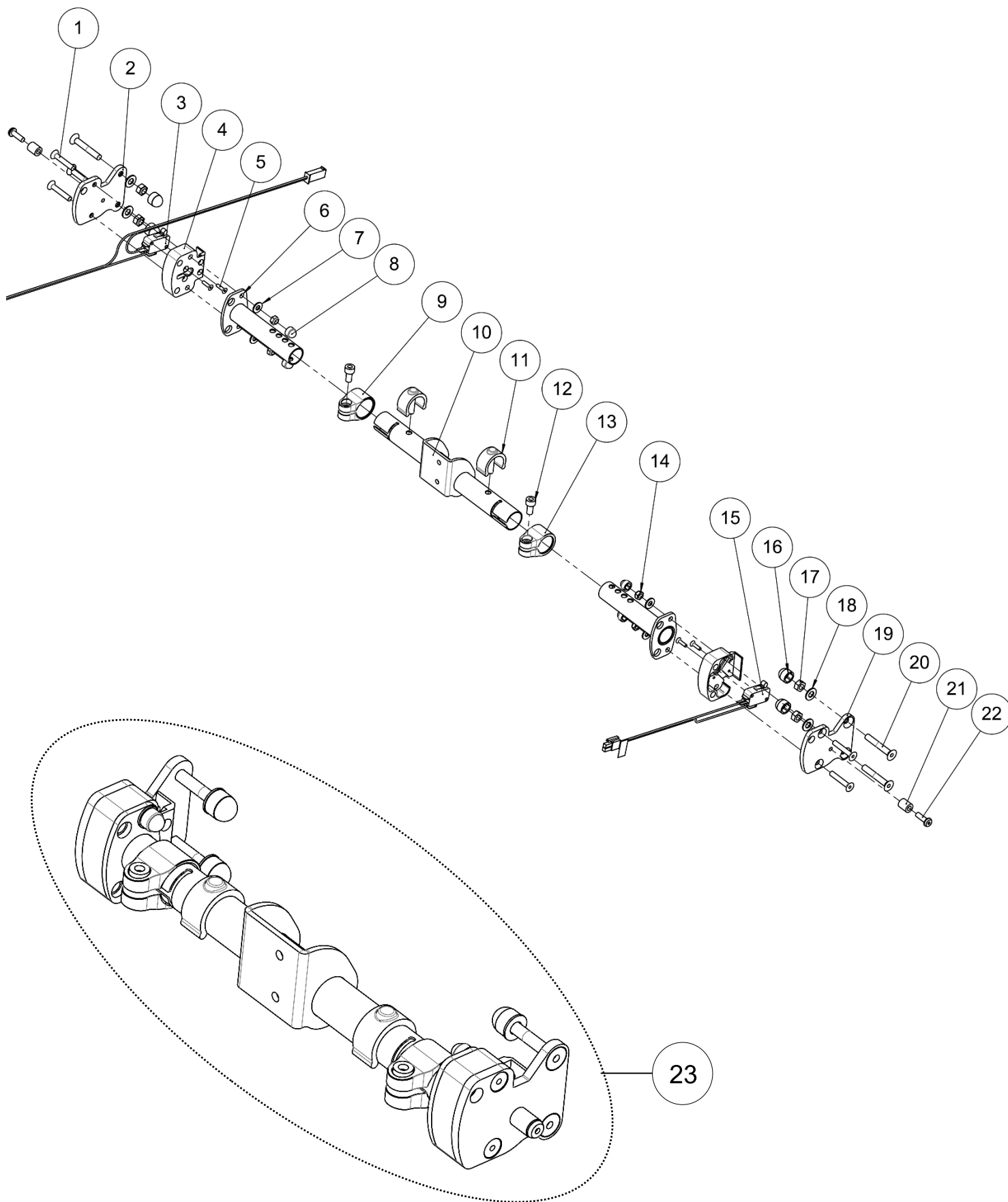


Backrest

Backrest extension

Backrest extension

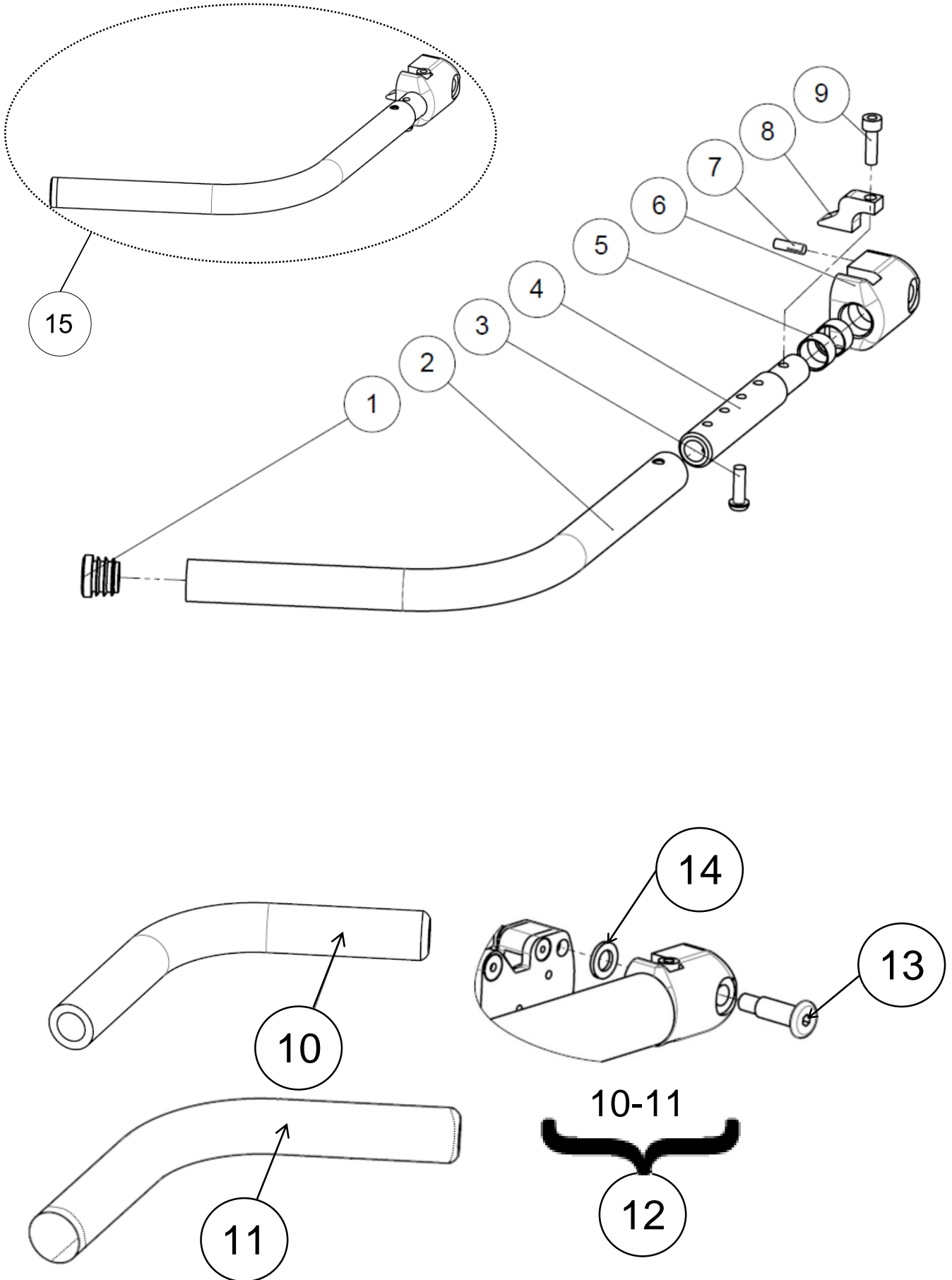
Pos	Qty	Stock Code	Description En	Description Fr	Remark
1	1	321575	Backrest extender Ø20mm	Extension de dossier Ø20mm	
2	1	A4015XXXFO	Plastic cup washer Ø4.3mm	Rondelle creuse Ø4.3mm	
3	1	VIS-AUT3.9x19ZN	Cross recessed countersunk head drilling screw Ø3.9x19	Vis auto-foreuse tête fraisée Ø3.9x19	
4	1	VIS-CBHC6X30ZN	Hexagon socket button head screw M6x30	Vis tête bombée M6x30 six pans creux	
5	1	RON-M6ZN	Plain washer Ø6	Rondelle plate M Ø6	
6	1	ECR-HFR6ZN	Prevaling torque type hexagon nut M6	Ecrou frein M6	
7	1	C0215XXXFO	Nut cap M6	Cache écrou M6	
8	1	321683	Kit backrest extension (unit)	Kit rallonge dossier (l'unité)	



Backrest crosstube					
Pos	Qty	Stock Code	Description En	Description Fr	Remark
1	4	601424	Hexagon socket countersunk head screw M5x30	Vis tête fraisée M5x30 six pans creux	
2	1	321548	Backrest plate holder left	Platine dossier gauche	
3	1	321621	Electronics wire security part 1	Faisceau de sécurité 1	
4	2	321546	Switch cover backrest	Couvre switch accoudoir	
5	4	600693	Hexagon socket countersunk head screw M3x12	Vis tête fraisée M3x12 six pans creux	
6	2	321535	Tube bracket backrest	Tube réglage dossier	
7	4	RON-M5ZN	Plain washer Ø5	Rondelle plate M Ø5	
8	4	614185	Nut cap M5	Cache écrou M5	
9	1	322101	Clamp tube right	Bague droite bridage traverse	
10	1	321539	Backrest tube horizontal	Tube horizontal dossier	
11	2	614365	Tube lock Ø19.1mm	Vérrou de tube Ø19.1mm	
12	2	VIS-CHC6X12ZN	Hexagon socket head cap screw M6x12	Vis tête cylindrique M6x12 six pans creux	
13	1	322100	Clamp tube left	Bague gauche bridage traverse	
14	4	ECR-HFR5ZN	Prevaling torque type hexagon nut M5	Ecrou frein M5	
15	1	321622	Electronics wire security part 2	Faisceau de sécurité 2	
16	4	C0215XXXFO	Nut cap M6	Cache écrou M6	
17	4	ECR-HFR6ZN	Prevaling torque type hexagon nut M6	Ecrou frein M6	
18	4	RON-M6ZN	Plain washer Ø6	Rondelle plate M Ø6	
19	1	321547	Backrest plate holder right	Platine dossier droite	
20	4	VIS-FHC6X40ZN	Hexagon socket countersunk head screw M6x40	Vis tête fraisée M6x40 six pans creux	
21	2	614171	Tubular spacer Ø5,2xØ10x12mm	Entretoise tubulaire Ø5,2xØ10x12mm	
22	2	601170	Hexagon socket button head screw M5x16	Vis tête bombée M5x16 six pans creux	
23	1	322076	Kit backrest crosstube	Kit traverse de dossier	

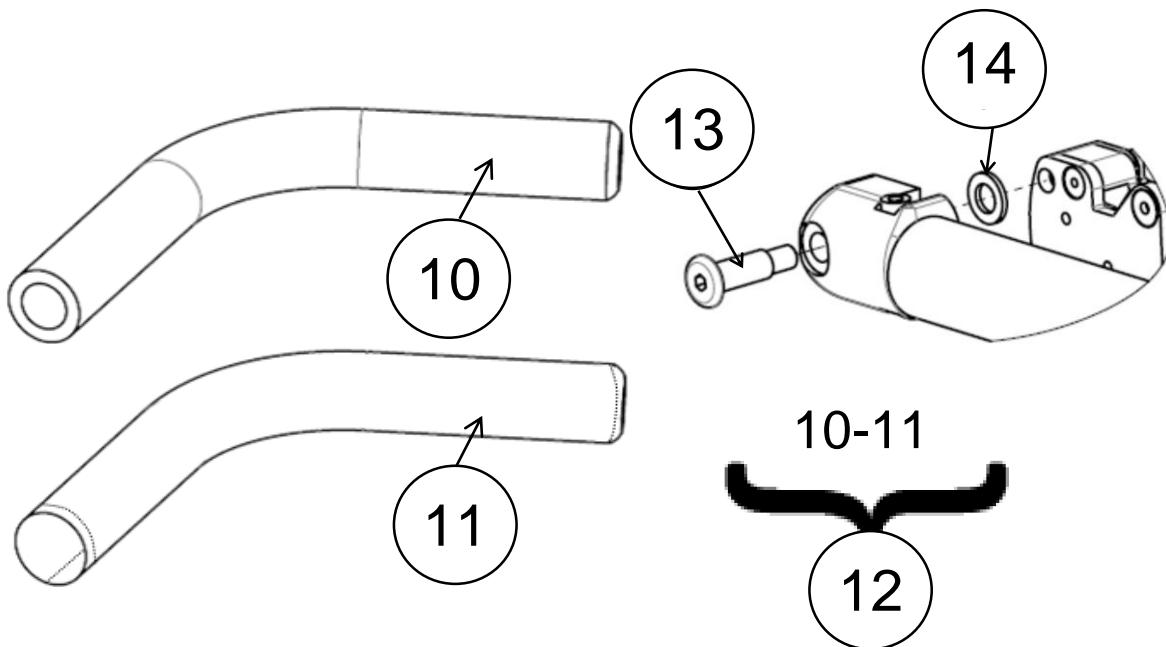
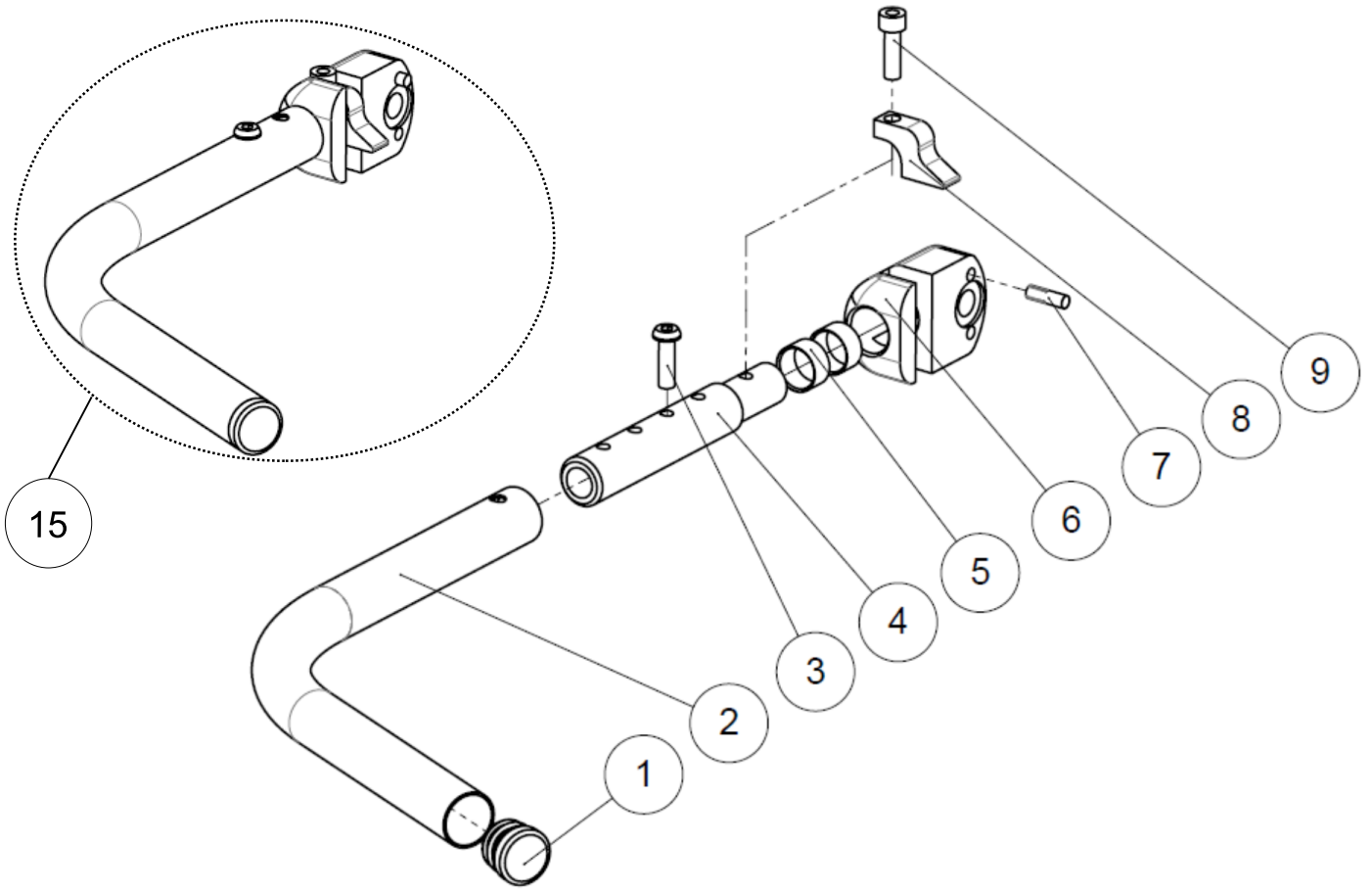
Armrest

Left armrest



Left armrest

Pos	Qty	Stock Code	Description En	Description Fr	Remark
1	1	L0005221FO	Black cap for tube Ø22.1mm	Bouchon plastique noir pour tube Ø22.1mm	
2	1	321558	Armrest tube	Tube accoudoir	
3	1	VIS-CBHC6X20ZN	Hexagon socket button head screw M6x20	Vis tête bombée M6x20 six pans creux	
4	1	321562	Armrest inner tube	Tube accoudoir	
5	2	614179	Bearing Ø16/Ø18x10mm	Palier Ø16/Ø18x10mm	
6	1	321578	Armrest nut	Noix d'accoudoir	
7	1	GOU-CANN5X18BR	Fluted lock pin G06 Ø5x18mm	Goupille cannelée G06 Ø5x18mm	
8	1	321577	Armrest stop	Butée d'accoudoir	
9	1	VIS-CHC6X20ZN	Hexagon socket head cap screw M6x20	Vis tête cylindrique M6x20 six pans creux	
10	0,5		Armrest foam Lg.680mm	Mousse pour poignée Lg.680mm	1 piece of 340mm NOT FOR SALE MP044XXXFO
11	1		Armrest cover	Housse accoudoir	NOT FOR SALE 322316
12	1	322693	Kit armrest foam + cover (unit)	Kit mousse + housse accoudoir (l'unité)	
13	1	L1211XXXFO	Axle seat lower	Pivot d'assise inférieur	
14	1	614176	Washer Ø10/Ø18x2mm	Rondelle Ø10/Ø18x2mm	
15	1	321634	Kit left armrest	Kit accoudoir gauche	

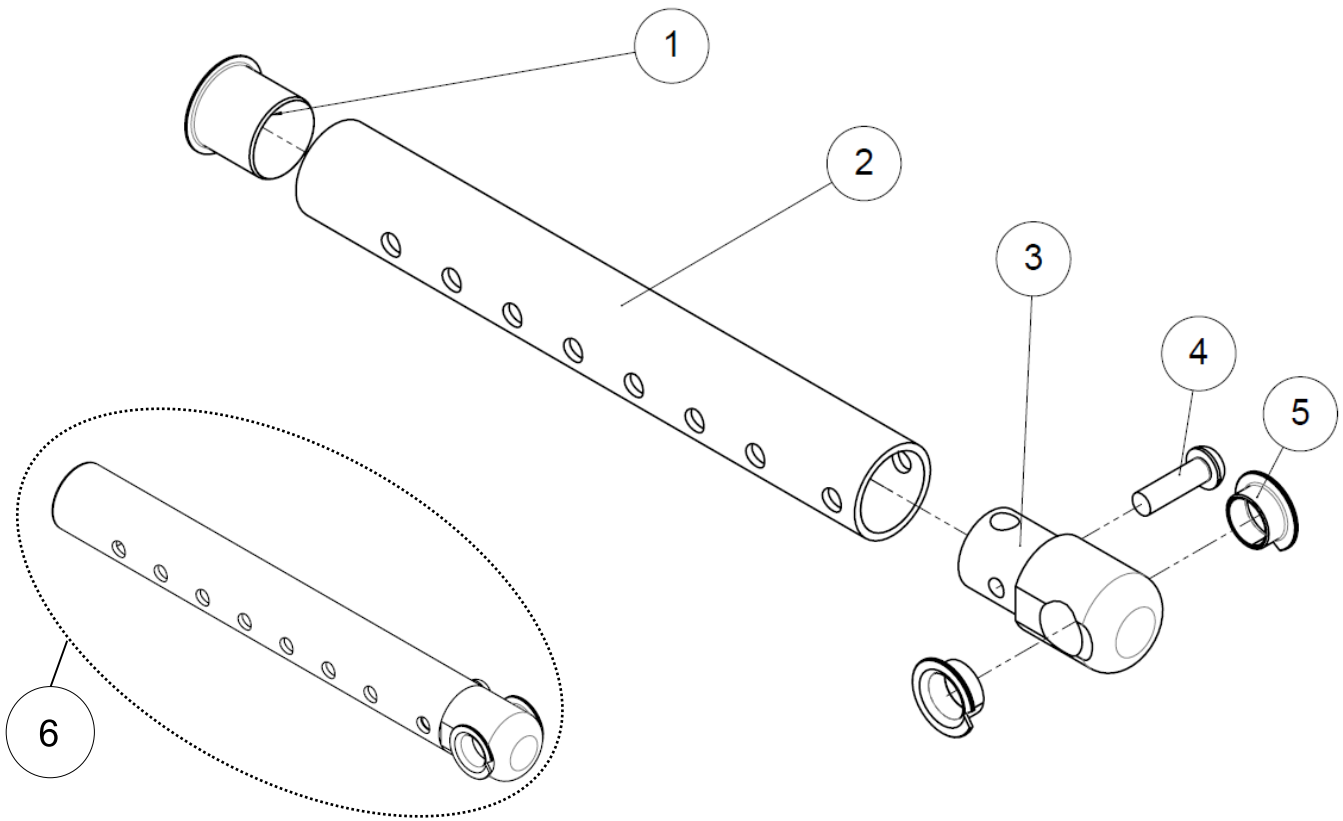


Armrest

Right armrest

Right armrest					
Pos	Qty	Stock Code	Description En	Description Fr	Remark
1	1	L0005221FO	Black cap for tube Ø22.1mm	Bouchon plastique noir pour tube Ø22.1mm	
2	1	321558	Armrest tube	Tube accoudoir	
3	1	VIS-CBHC6X20ZN	Hexagon socket button head screw M6x20	Vis tête bombée M6x20 six pans creux	
4	1	321562	Armrest inner tube	Tube accoudoir	
5	2	614179	Bearing Ø16/Ø18x10mm	Palier Ø16/Ø18x10mm	
6	1	321578	Armrest nut	Noix d'accoudoir	
7	1	GOU-CANN5x18BR	Fluted lock pin G06 Ø5x18mm	Goupille cannelée G06 Ø5x18mm	
8	1	321577	Armrest stop	Butée d'accoudoir	
9	1	VIS-CHC6X20ZN	Hexagon socket head cap screw M6x20	Vis tête cylindrique M6x20 six pans creux	
10	0,5		Handle foam Lg.680mm	Mousse pour poignée Lg.680mm	1 piece of 340mm NOT FOR SALE MP044XXXFO
11	1		Armrest cover	Housse accoudoir	NOT FOR SALE 322316
12	1	322693	Kit armrest foam + cover (unit)	Kit mousse + housse accoudoir (l'unité)	
13	1	L1211XXXFO	Axle seat lower	Pivot d'assise inférieur	
14	1	614176	Washer Ø10/Ø18x2mm	Rondelle Ø10/Ø18x2mm	
15	1	322123	Kit right armrest	Kit accoudoir droit	

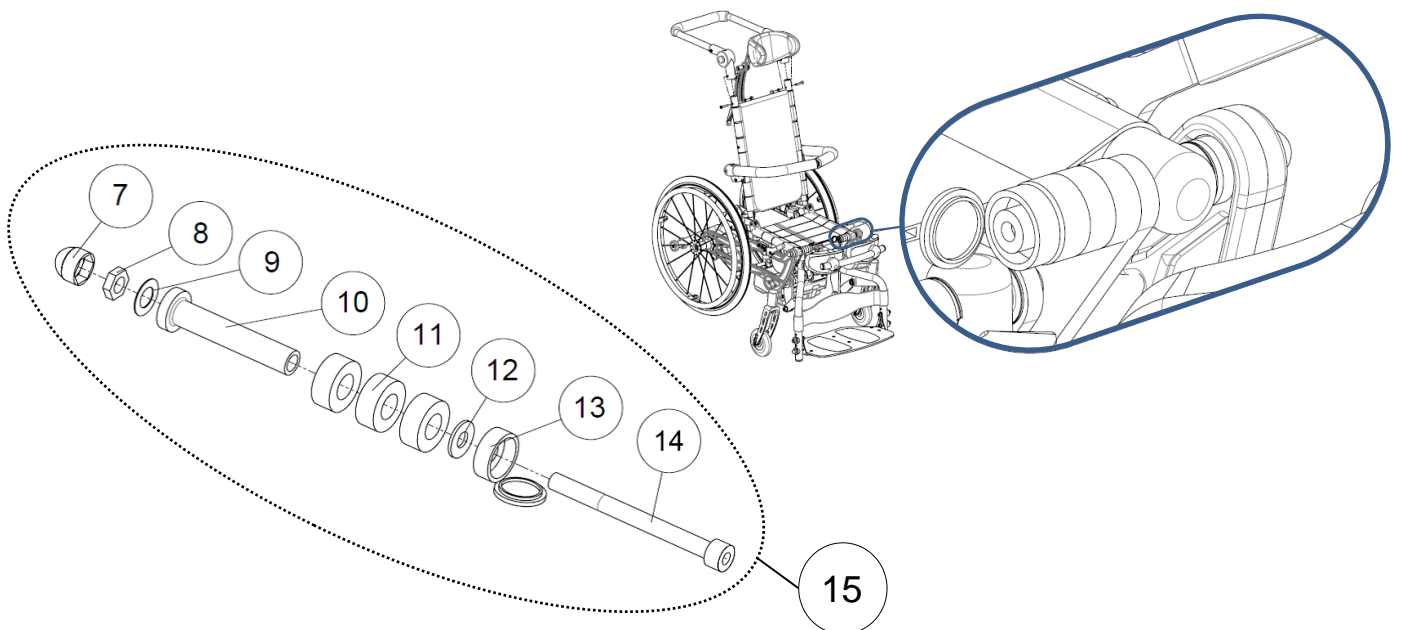
Upper seat



CAUTION:

The upper seat tube kit **321671** doesn't include the upper seat width adjustment kit **321731**.

UPPER SEAT WIDTH ADJUSTMENT



Upper seat

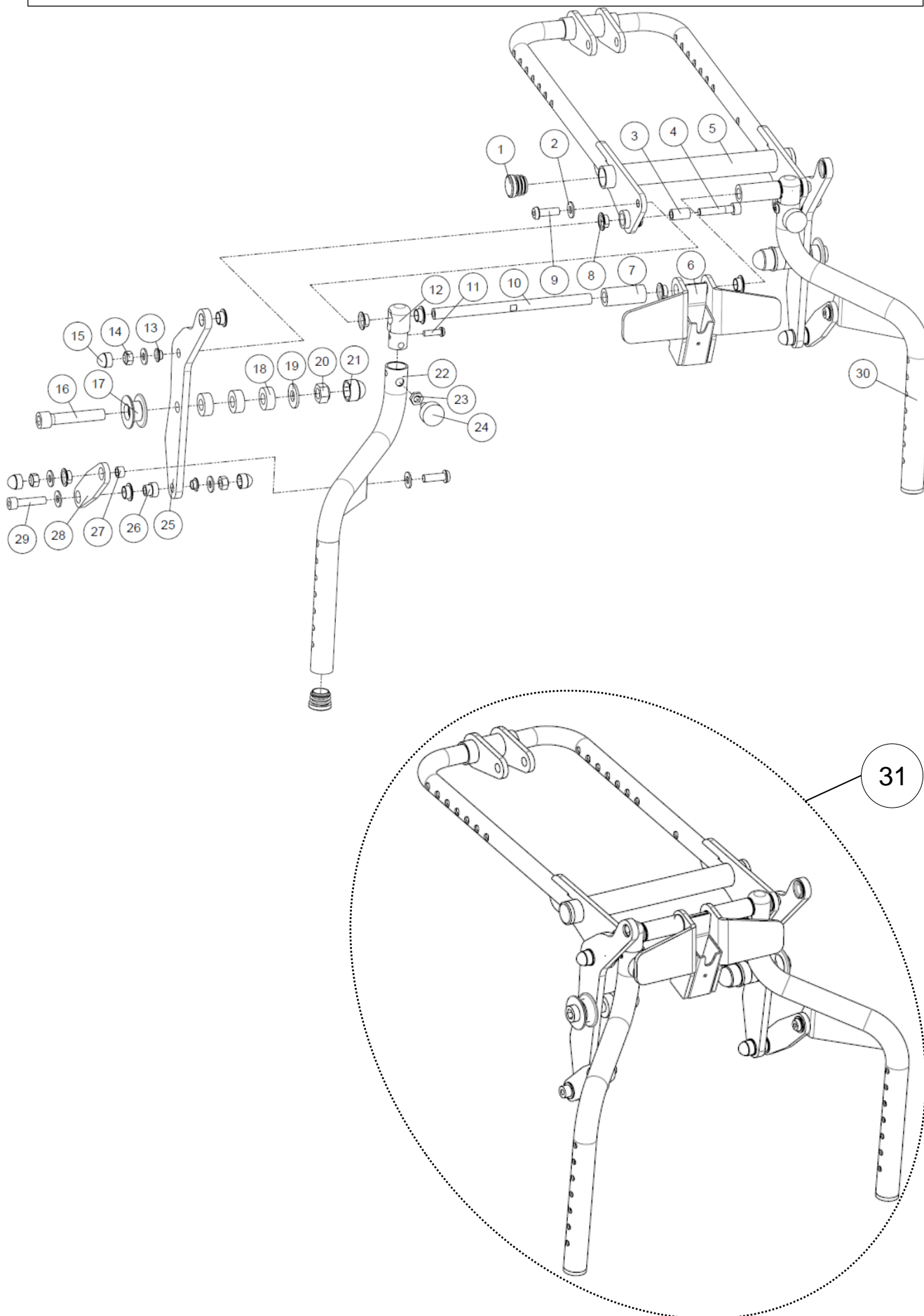
Upper seat tube

Pos	Qty	Stock Code	Description En	Description Fr	Remark
1	1	614177	Bearing with flange $\varnothing 20/\varnothing 21 \times 20$ mm	Palier épaulé $\varnothing 20/\varnothing 21 \times 20$ mm	
2	1	321534	Tube seat	Tube d'assise	
3	1	321499	Hinge detail $\varnothing 25 \times 2/\varnothing 14$ mm	Charnière $\varnothing 25 \times 2/\varnothing 14$ mm	
4	1	VIS-CBHC6X20ZN	Hexagon socket button head screw M6x20	Vis tête bombée M6x20 six pans creux	
5	2	L0007112FO	Collar bearing 12x14x7mm	Coussinet à collerette 12x14x7mm	
6	2	321671	Kit upper seat tube (unit)	Kit tube assise supérieure (l'unité)	

Upper seat width adjustment

Pos	Qty	Stock Code	Description En	Description Fr	Remark
7	1	C0214XXXFO	Nut cap M8	Cache écrou M8	
8	1	ECR-HM8ZN	Hexagon thin nut M8	Ecrou bas M8	
9	1	RON-Z8FINEPLAS	Nylon washer $\varnothing 8.1 \times 14 \times 0.5$ mm	Rondelle plate nylon $\varnothing 8.1 \times 14 \times 0.5$ mm	
10	1	321544	Spacer $\varnothing 20/\varnothing 12 \times 8.2 \times 69.5$ mm	Entretoise $\varnothing 20/\varnothing 12 \times 8.2 \times 69.5$ mm	
11	3	614194	Tubular spacer $\varnothing 12.6 \times \varnothing 25 \times 10$ mm	Entretoise tubulaire $\varnothing 12.6 \times \varnothing 25 \times 10$ mm	
12	1	RON-M8ZN	Plain washer $\varnothing 8$	Rondelle plate M $\varnothing 8$	
13	1	614226	Plastic cap for M8 screw $\varnothing 24$ mm	Cache vis M8 $\varnothing 24$ mm	
14	1	601702	Hexagon socket head cap screw M8x90	Vis tête cylindrique M8x90 six pans creux	
15	2	321731	Kit upper seat width adjustment (unit)	Kit réglage largeur assise supérieure (l'unité)	

Lower seat

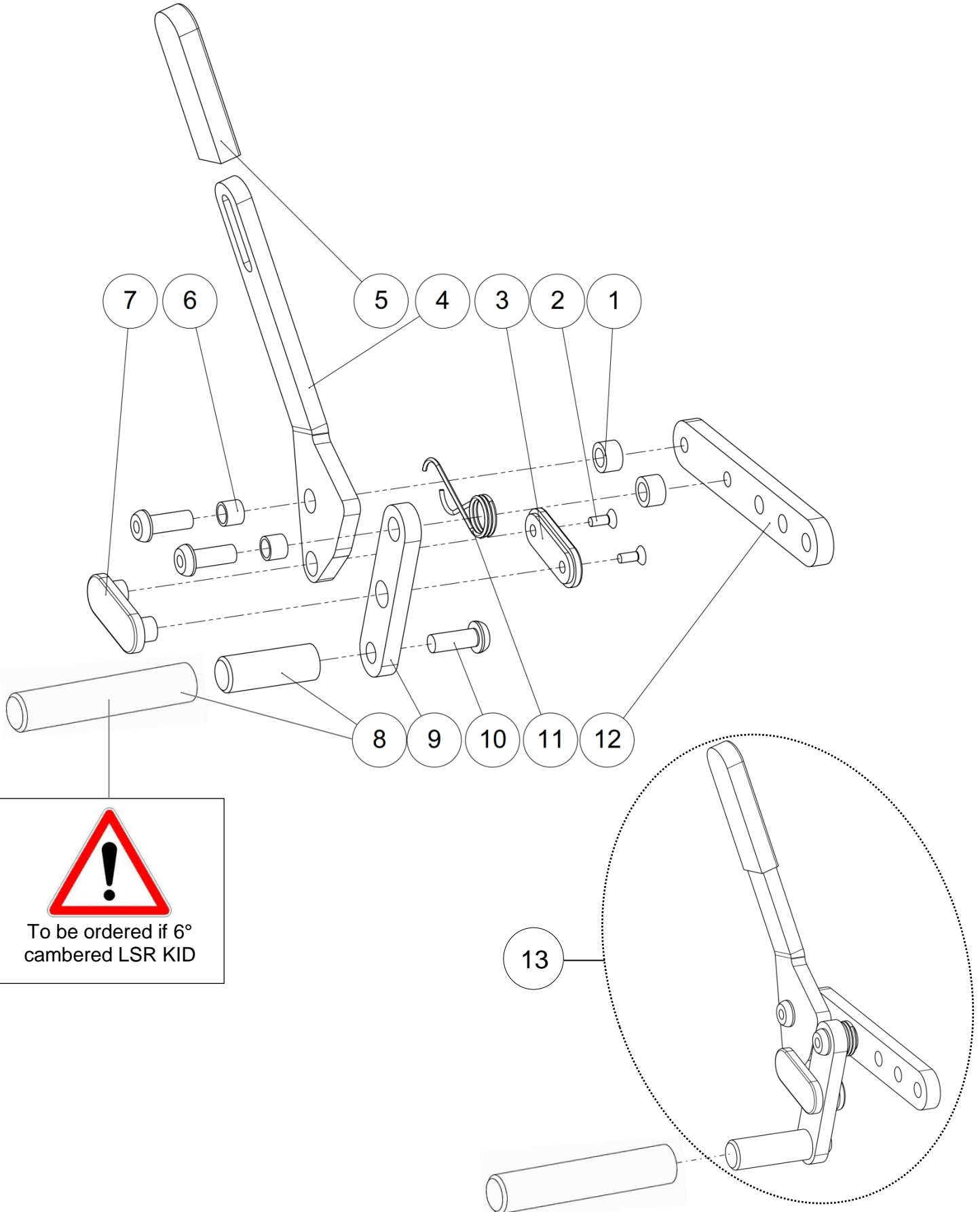


Lower seat

Lower seat					
Pos	Qty	Stock Code	Description En	Description Fr	Remark
1	4	L0005254FO	Black cap for tube Ø25,4mm	Bouchon plastique noir pour tube Ø25,4mm	
2	16	RON-M8ZN	Plain washer Ø8	Rondelle plate M Ø8	
3	2	321554	Spacer Ø11.8xØ8.2x2x20.5mm	Entretoise Ø11.8xØ8.2x2x20.5mm	
4	2	VIS-CHC8X40ZN	Hexagon socket head cap screw M8x40	Vis tête cylindrique M8x40 six pans creux	
5	1	321522	Seat frame	Assise	
6	1	321286	Holder tube kneerest	Support genouillère	
7	2	321322	Spacer Ø20/12.1x46.5mm	Entretoise Ø20/Ø12.1x46.5mm	
8	14	L0007112FO	Collar bearing 12x14x7mm	Coussinet à collerette 12x14x7mm	
9	4	602165	Hexagon socket button head screw M8x25	Vis tête bombée M8x25 six pans creux	
10	1	321287	Shaft holder kneerest	Axe support genouillère	
11	2	VIS-CBHC6X20ZN	Hexagon socket button head screw M6x20	Vis tête bombée M6x20 six pans creux	
12	2	321499	Hinge detail Ø25x2/Ø14mm	Charnière Ø25x2/Ø14mm	
13	4	L0007080FO	Collar bearing 8x10x5mm	Coussinet à collerette 8x10x5mm	
14	6	ECR-HFR8ZN	Prevaling torque type hexagon nut M8	Ecrou frein M8	
15	6	C0214XXXFO	Nut cap M8	Cache écrou M8	
16	2	614193	Hexagon socket head cap screw M12x65	Vis tête cylindrique M12x65 six pans creux	
17	2	MP209XXXFO	Roller holder belt	Poulie 3	
18	6	614194	Tubular spacer Ø12.6xØ25x10mm	Entretoise tubulaire Ø12.6xØ25x10mm	
19	2	RON-M12ZN	Plain washer Ø12	Rondelle plate M Ø12	
20	2	ECR-HFR12ZN	Prevaling torque type hexagon nut M12	Ecrou frein M12	
21	2	C0217XXXFO	Nut cap M12	Cache écrou M12	
22	1	321509	Legrest tube right	Tube jambier droit	
23	2	ECR-HM8ZN	Hexagon thin nut M8	Ecrou bas M8	
24	2	L1007LSEFO	Shock absorber 20mm	Amortisseur 20mm	
25	2	321528	Plate detail	Balancier de jambier	
26	2	321559	Spacer Ø16/Ø11.8xØ8.2x13.5mm	Entretoise Ø16/Ø11.8xØ8.2x13.5mm	
27	2	321560	Spacer Ø11.8xØ8.2x7mm	Entretoise Ø11.8xØ8.2x7mm	
28	2	321527	Plate hinge	Biellette de jambier	
29	2	600273	Hexagon socket head cap screw M8x35	Vis tête cylindrique M8x35 six pans creux	
30	1	321508	Legrest tube right	Tube jambier gauche	
31	1	321586	Kit lower seat	Kit assise inférieure	

Brakes

Left brake for wheel 20" pos. 1 to 6 / Wheel 22" pos. 1 to 7



Brakes

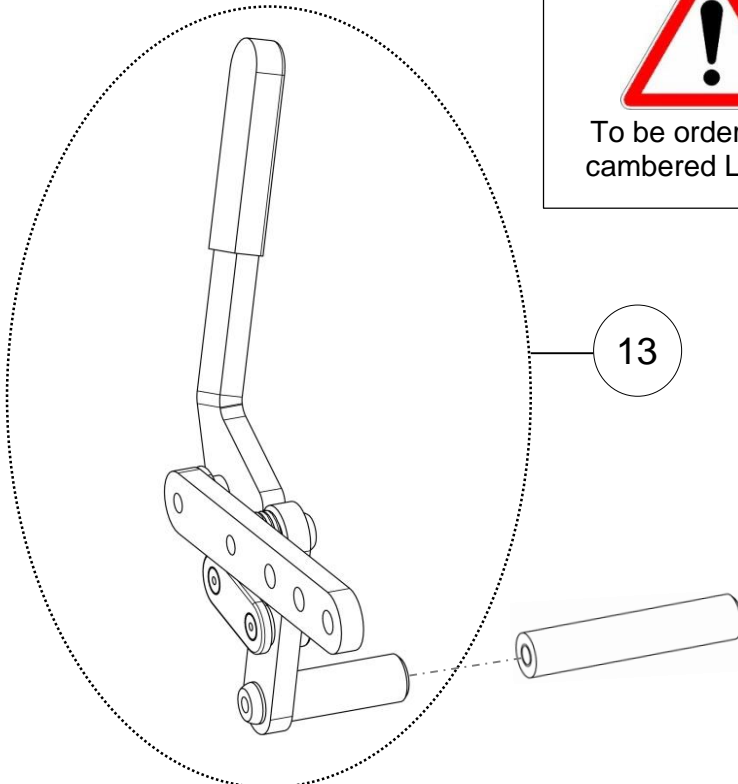
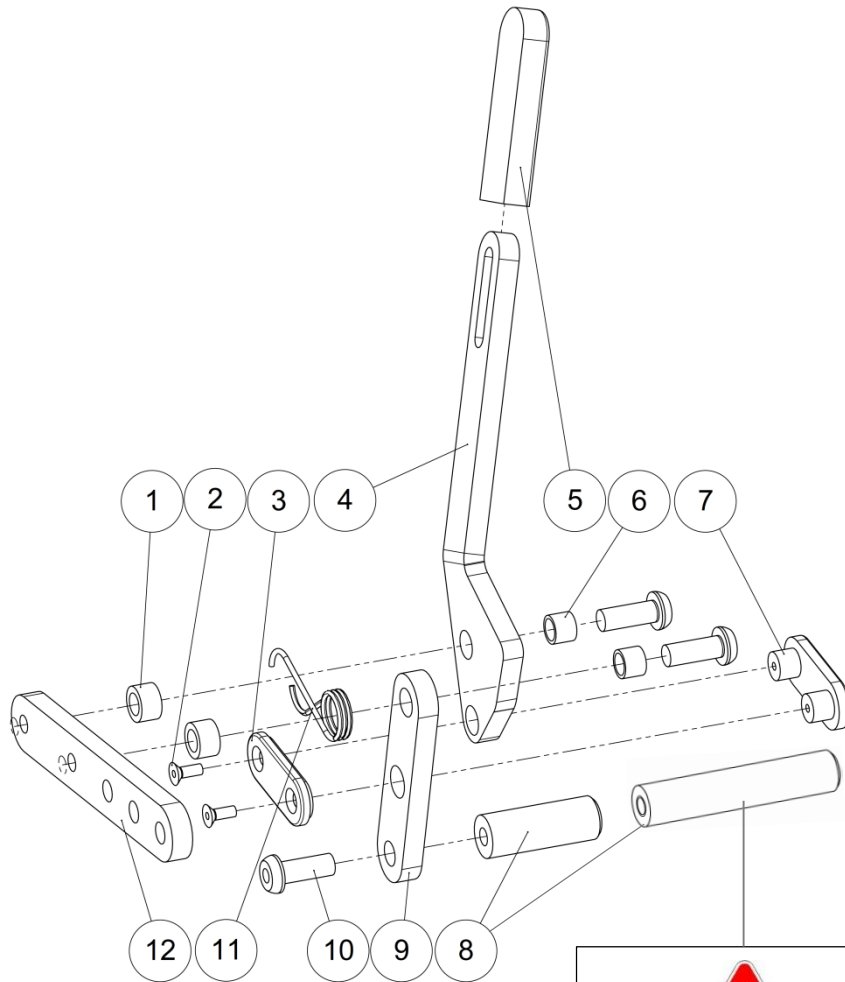
Left brake for wheel 20" pos. 1 to 6 / Wheel 22" pos. 1 to 7

Left brake for wheel 20" pos. 1,2,3,4,5,6 / Wheel 22" pos. 1,2,3,4,5,6,7

Pos	Qty	Stock Code	Description En	Description Fr	Remark
1	2	614219	Brake spacer L5xØ6.2xØ10mm	Entretoise L5xØ6.2xØ10mm	
2	2	614218	Hexagon socket countersunk head screw M3x8	Vis tête fraisée M3x8 six pans creux	
3	1	321651	Brake bracket 1	Platine de frein 1	
4	1	K1010LXXAI	Handle brake left	Levier de frein gauche	
5	1	L4056CAPFO	Cover brake handle 19x2x80mm	Capuchon 19x2x80mm	
6	2	K1011XXXZN	Spacer Ø6.2xØ8x6.2mm	Entretoise Ø6.2xØ8x6.2mm	
7	1	321652	Brake bracket 2	Platine de frein 2	
8	1	L1122XXXFO	Brake axle L33mm	Axe de frein L33mm	Used for camber 0°
		323389	Brake axle L60mm	Axe de frein L60mm	Used for camber 6°
9	1	321649	Brake arm	Bras de frein	
10	3	VIS-CBHC6X16ZN	Hexagon socket button head screw M6x16	Vis tête bombée M6x16 six pans creux	
11	1	322073	Spring brake left	Ressort gauche frein	
12	1	321950	Plate bracket	Platine déportée frein	
13	1	321672	Kit left brake wheel pos. 1,2,3,4,5,6 + 7(22")	Kit frein gauche essieu pos. 1,2,3,4,5,6 + 7(22")	If camber 6°: Complete the kit with the break axle L60mm 323389 (see pos.8)

Brakes

Right brake for wheel 20" pos. 1 to 6 / Wheel 22" pos. 1 to 7



Brakes

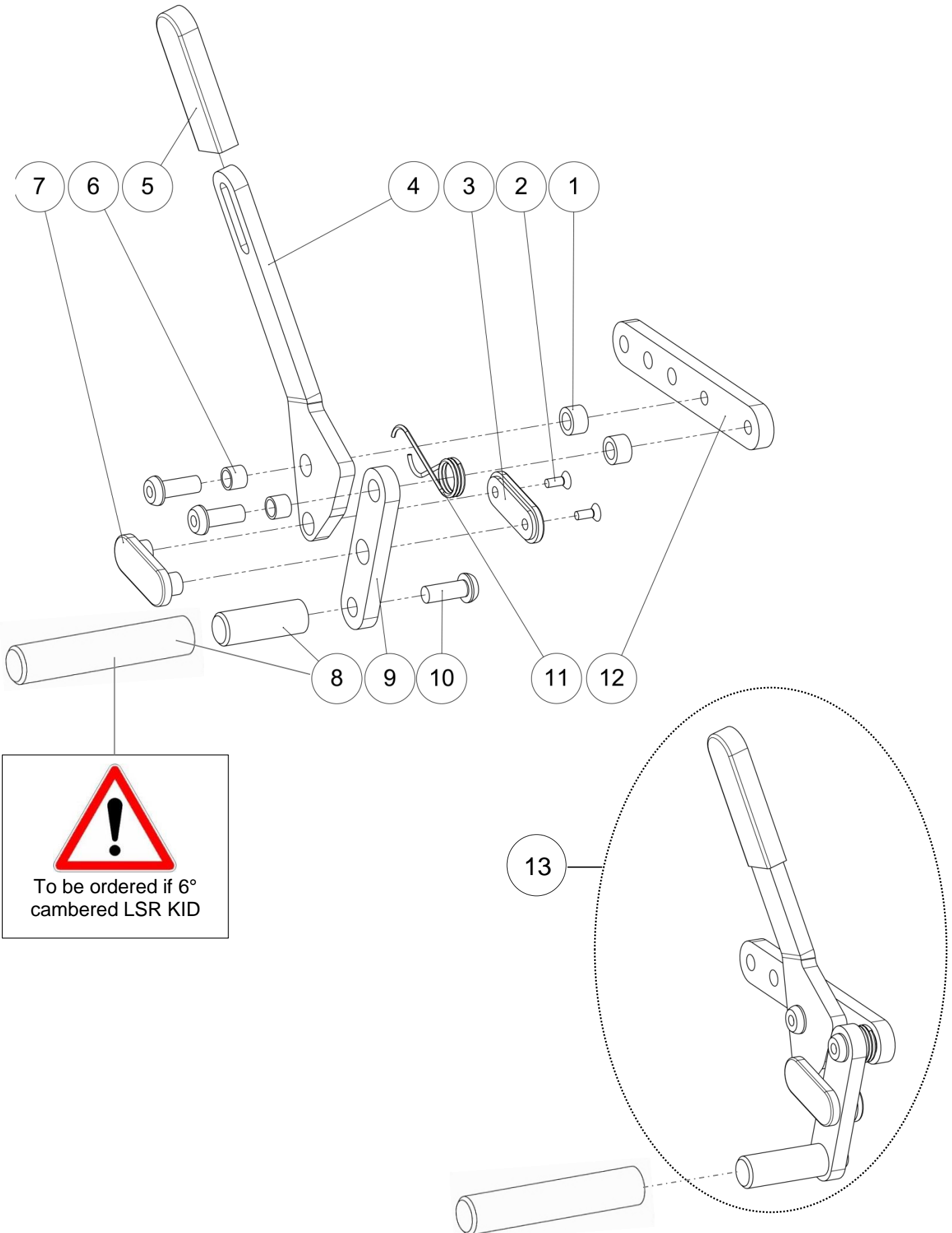
Right brake for wheel 20" pos. 1 to 6 / Wheel 22" pos. 1 to 7

Right brake for wheel 20" pos. 1,2,3,4,5,6 / Wheel 22" pos. 1,2,3,4,5,6,7

Pos	Qty	Stock Code	Description En	Description Fr	Remark
1	2	614219	Brake spacer L5xØ6.2xØ10mm	Entretoise L5xØ6.2xØ10mm	
2	2	614218	Hexagon socket countersunk head screw M3x8	Vis tête fraisée M3x8 six pans creux	
3	1	321651	Brake bracket 1	Platine de frein 1	
4	1	K1010RXXAI	Handle brake right	Levier de frein droit	
5	1	L4056CAPFO	Cover brake handle 19x2x80mm	Capuchon 19x2x80mm	
6	2	K1011XXXZN	Spacer Ø6.2xØ8x6.2mm	EntretoiseØ6.2xØ8x6.2mm	
7	1	321652	Brake bracket 2	Platine de frein 2	
8	1	L1122XXXFO	Brake axle L33mm	Axe de frein L33mm	Used for camber 0°
		323389	Brake axle L60mm	Axe de frein L60mm	Used for camber 6°
1	1	321649	Brake arm	Bras de frein	
10	3	VIS-CBHC6X16ZN	Hexagon socket button head screw M6x16	Vis tête bombée M6x16 six pans creux	
11	1	322070	Spring brake right	Ressort droit frein	
12	1	321950	Plate bracket	Platine déportée frein	
13	1	321663	Kit right brake wheel pos. 1,2,3,4,5,6 +7 (22")	Kit frein droit essieu pos. 1,2,3,4,5,6 +7 (22")	<u>If camber 6°:</u> Complete the kit with the break axle L60mm 323389 (see pos.8)

Brakes

Left brake for wheel 20" pos.7

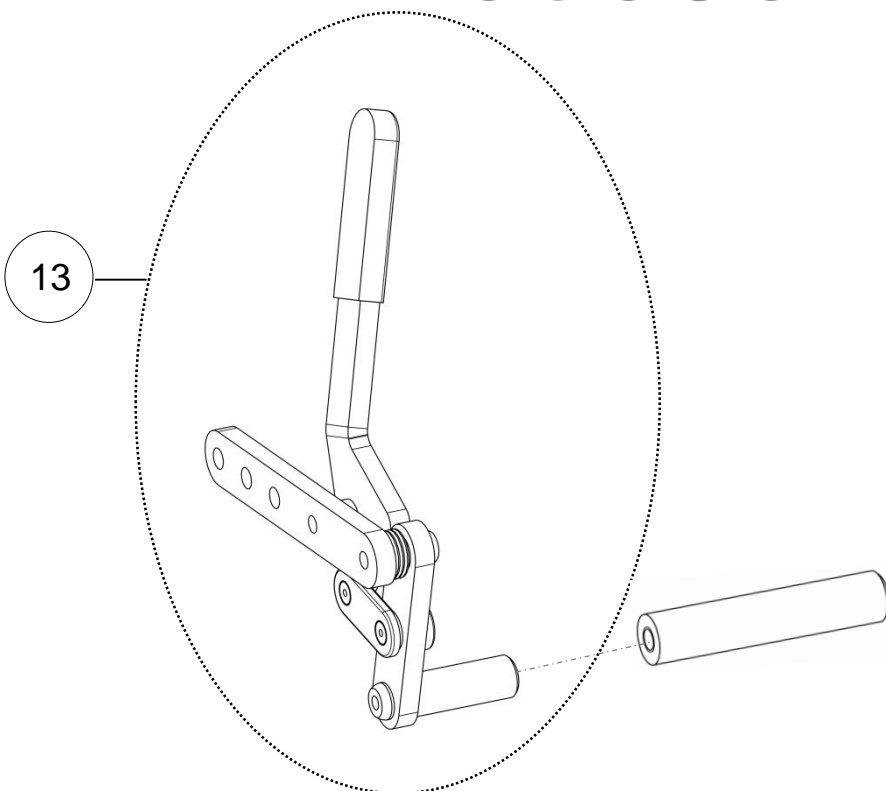
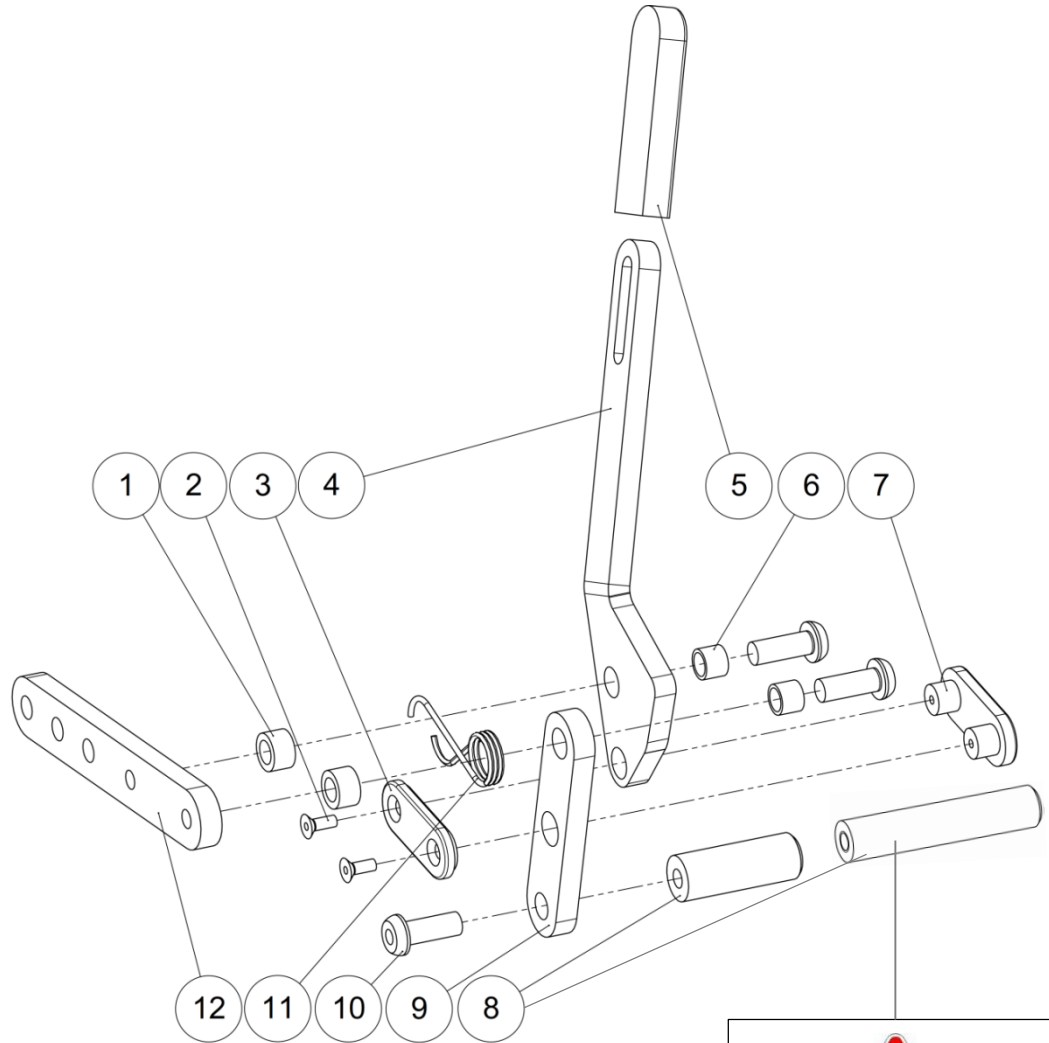


Left brake for wheel 20" pos.7

Pos	Qty	Stock Code	Description En	Description Fr	Remark
1	2	614219	Brake spacer L5xØ6.2xØ10mm	Entretoise L5xØ6.2xØ10mm	
2	2	614218	Hexagon socket countersunk head screw M3x8	Vis tête fraisée M3x8 six pans creux	
3	1	321651	Brake bracket 1	Platine de frein 1	
4	1	K1010LXXAI	Handle brake left	Levier de frein gauche	
5	1	L4056CAPFO	Cover brake handle 19x2x80mm	Capuchon 19x2x80mm	
6	2	K1011XXXZN	Spacer Ø6.2xØ8x6.2mm	Entretoise Ø6.2xØ8x6.2mm	
7	1	321652	Brake bracket 2	Platine de frein 2	
8	1	L1122XXXFO	Brake axle L33mm	Axe de frein L33mm	Used for camber 0°
		323389	Brake axle L60mm	Axe de frein L60mm	Used for camber 6°
9	1	321649	Brake arm	Bras de frein	
10	3	VIS-CBHC6X16ZN	Hexagon socket button head screw M6x16	Vis tête bombée M6x16 six pans creux	
11	1	322073	Spring brake left	Ressort gauche frein	
12	1	321950	Plate bracket	Platine déportée frein	
13	1	322120	Kit left brake for wheel pos. 7 (20")	Kit frein gauche pour essieu pos.7 (20")	<u>If camber 6°:</u> Complete the kit with the break axle L60mm 323389 (see pos.8)

Brakes

Right brake for wheel 20" pos.7



Brakes

Right brake for wheel 20" pos.7

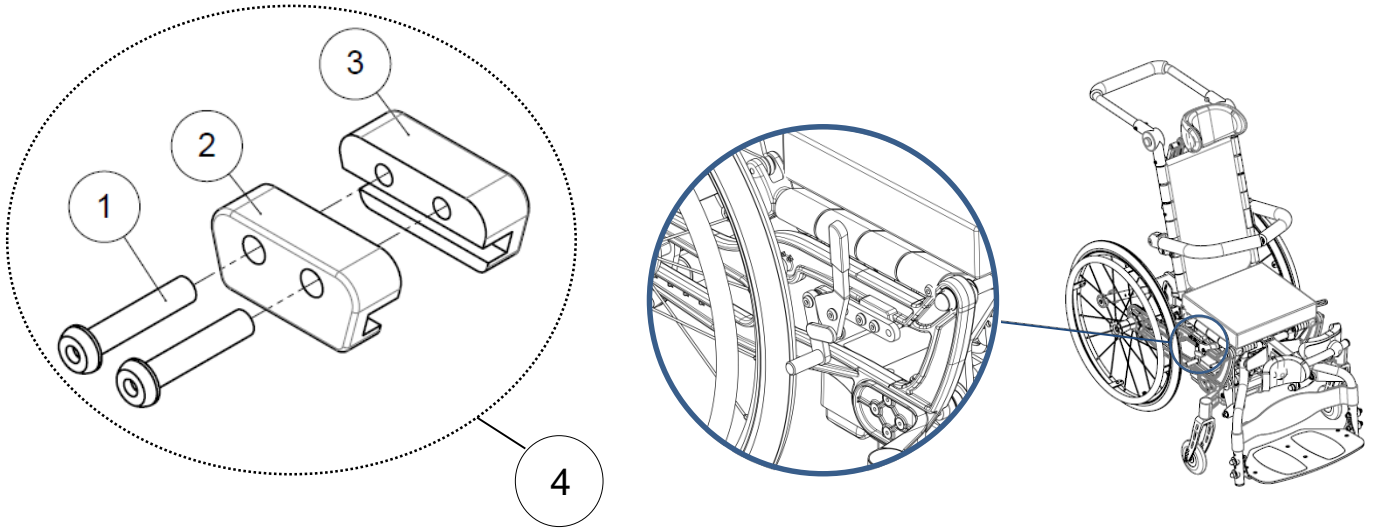
Right brake for wheel 20" pos. 7

Pos	Qty	Stock Code	Description En	Description Fr	Remark
1	2	614219	Brake spacer L5xØ6.2xØ10mm	Entretoise L5xØ6.2xØ10mm	
2	2	614218	Hexagon socket countersunk head screw M3x8	Vis tête fraisée M3x8 six pans creux	
3	1	321651	Brake bracket 1	Platine de frein 1	
4	1	K1010RXXAI	Handle brake right	Levier de frein droit	
5	1	L4056CAPFO	Cover brake handle 19x2x80mm	Capuchon 19x2x80mm	
6	2	K1011XXXZN	Spacer Ø6.2xØ8x6.2mm	Entretoise Ø6.2xØ8x6.2mm	
7	1	321652	Brake bracket 2	Platine de frein 2	
8	1	L1122XXXFO	Brake axle L33mm	Axe de frein L33mm	Used for camber 0°
		323389	Brake axle L60mm	Axe de frein L60mm	Used for camber 6°
1	1	321649	Brake arm	Bras de frein	
10	3	VIS-CBHC6X16ZN	Hexagon socket button head screw M6x16	Vis tête bombée M6x16 six pans creux	
11	1	322070	Spring brake right	Ressort droit frein	
12	1	321950	Plate bracket	Platine déportée frein	
13	1	322121	Kit right brake for wheel pos. 7 (20")	Kit frein droit pour essieu pos. 7 (20")	<u>If camber 6°:</u> Complete the kit with the break axle L60mm 323389 (see pos.8)

Brakes

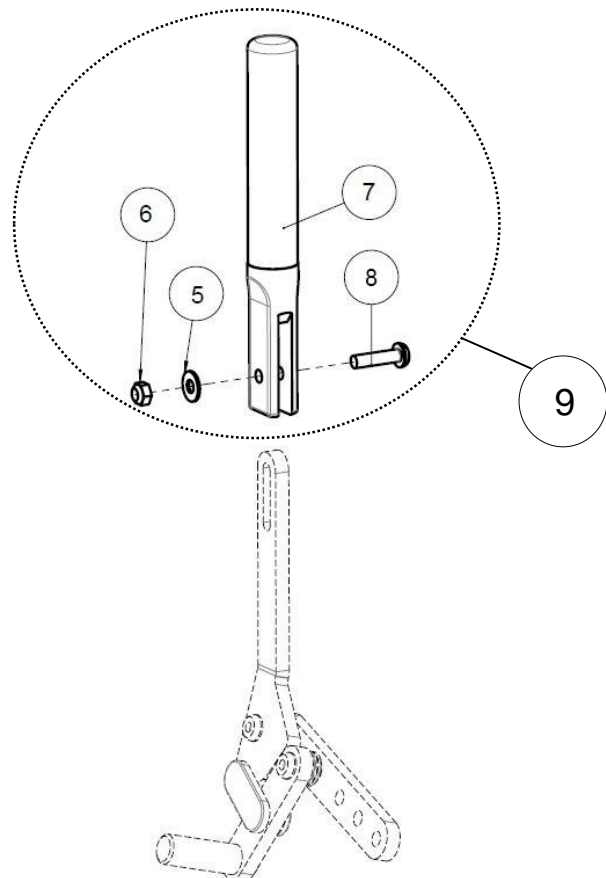
Brake bracket

BRAKE BRACKET



The kit bracket brake: **322134** is compatible with the following brakes: **321672, 321663, 322120** and **322121**

BRAKE EXTENSION



The kit brake extension: **L1125XXXFO** is compatible with the following brakes: **321672, 321663, 322120,** and **322121**

Brakes

Brake bracket

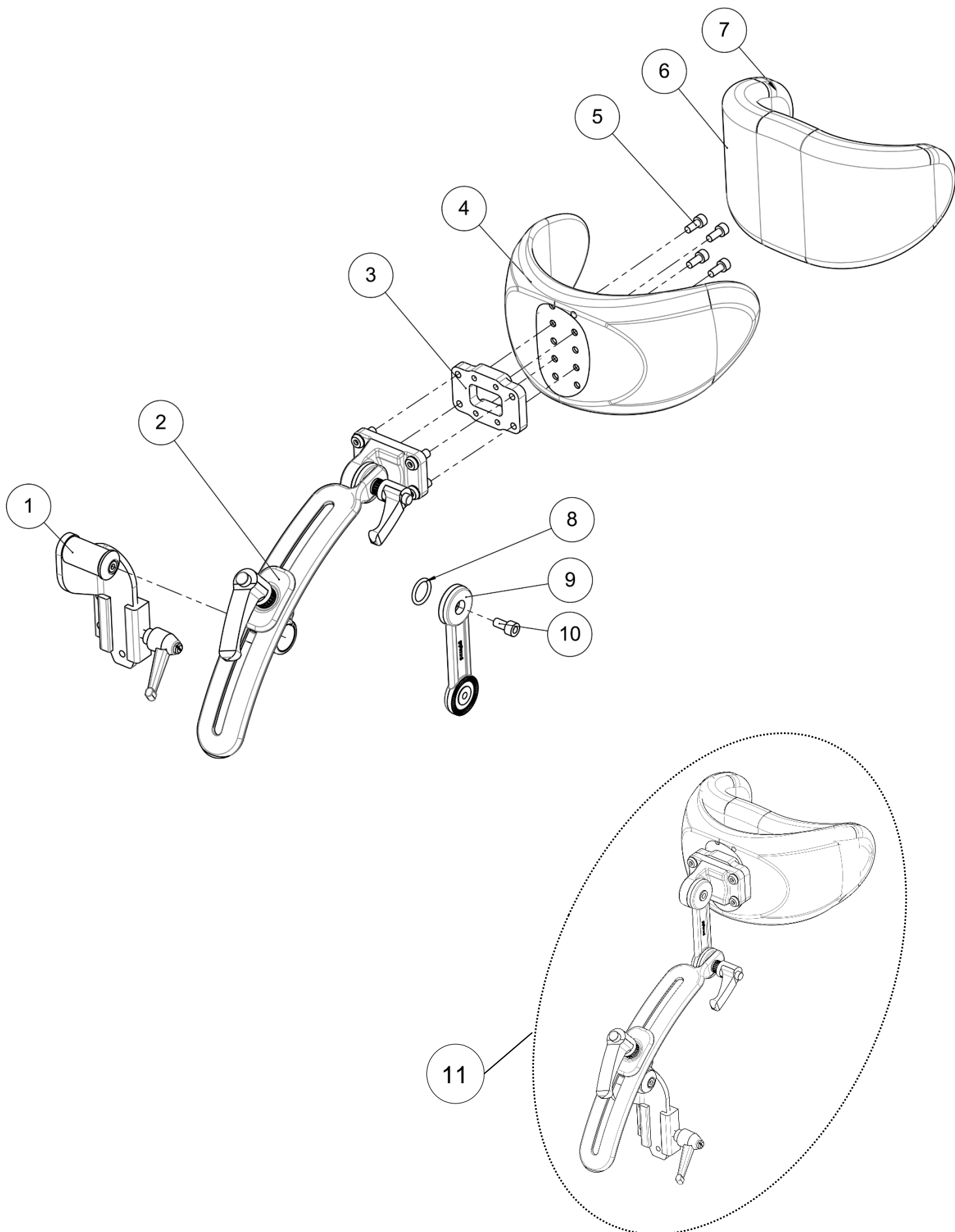
Brake bracket

Pos	Qty	Stock Code	Description En	Description Fr	Remark
1	2	VIS-CBHC6X30ZN	Hexagon socket button head screw M6x30	Vis tête bombée M6x30 six pans creux	
2	1	321393	Bracket brake 2	Fixation de frein 2	
3	1	321392	Bracket brake	Fixation de frein	
4	2	322134	Kit brake bracket (unit)	Kit machoires de frein (l'unité)	

Brake extension

Pos	Qty	Stock Code	Description En	Description Fr	Remark
5	2	RON-M5ZN	Plain washer Ø5	Rondelle plate M Ø5	
6	2	ECR-HFR5ZN	Prevaling torque type hexagon nut M5	Ecrou frein M5	
7	2	L1126XXXFO	Brake lever for hinged handle	Rallonge poignée frein	
8	2	VIS-CBHC5X20ZN	Hexagon socket button head screw M5x20	Vis tête bombée M5x20 six pans creux	
9	1	L1125XXXFO	Kit brake extension (pair)	Kit extension de frein (paire)	

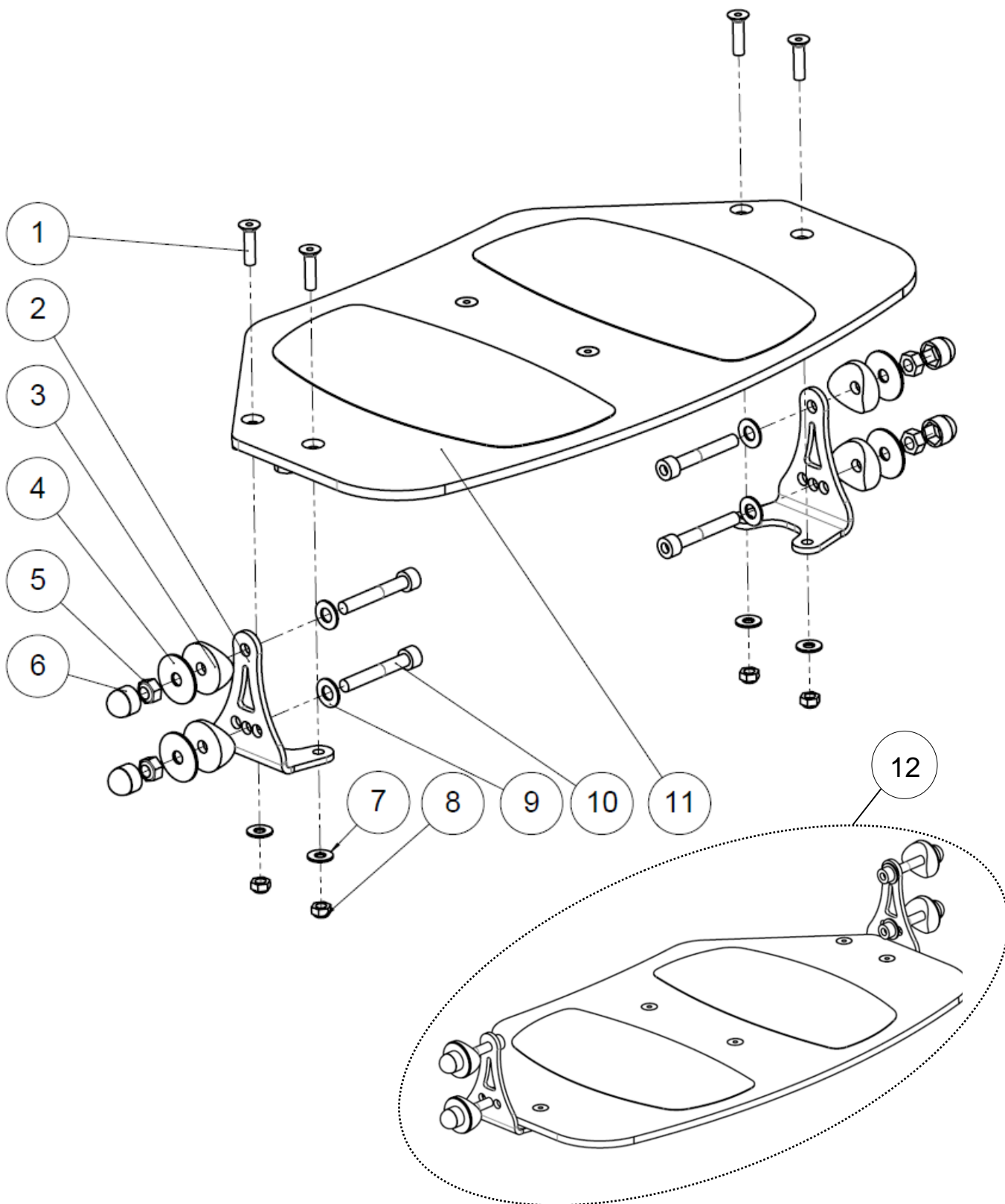
Headrest



Headrest

Headrest					
Pos	Qty	Stock Code	Description En	Description Fr	Remark
1	1	P1823235	Head support bracket backrest	Fixation appui-tête dossier	
2	1	P1823234	Head support	Fixation appui-tête	
3	1	321550	Head support for cushion	Support appui-tête	
4	1	L3111XXXFO	PU kneesupport	Genouillère polyuréthane surmoulée	
5	4	VIS-CHC5X12ZN	Hexagon socket head cap screw M5x10	Vis tête cylindrique M5x10 six pans creux	
6	1	L3017XXXFO	Cushion foam kneesupport	Coussinet confort genouillère	
7	1	L3016XXXFO	Upholst textile kneesupport	Housse de genouillère	
8	1	612912	Rubber ring Ø15.3x2.4mm	Joint torique Ø15.3x2.4mm	
9	1	314894	Link bracket	Biellette de réglage crantée	
10	1	VIS-CHC6X12ZN	Hexagon socket head cap screw M6x12	Vis tête cylindrique M6x12 six pans creux	
11	1	321636	Kit headrest	Kit appui-tête	

Footplate

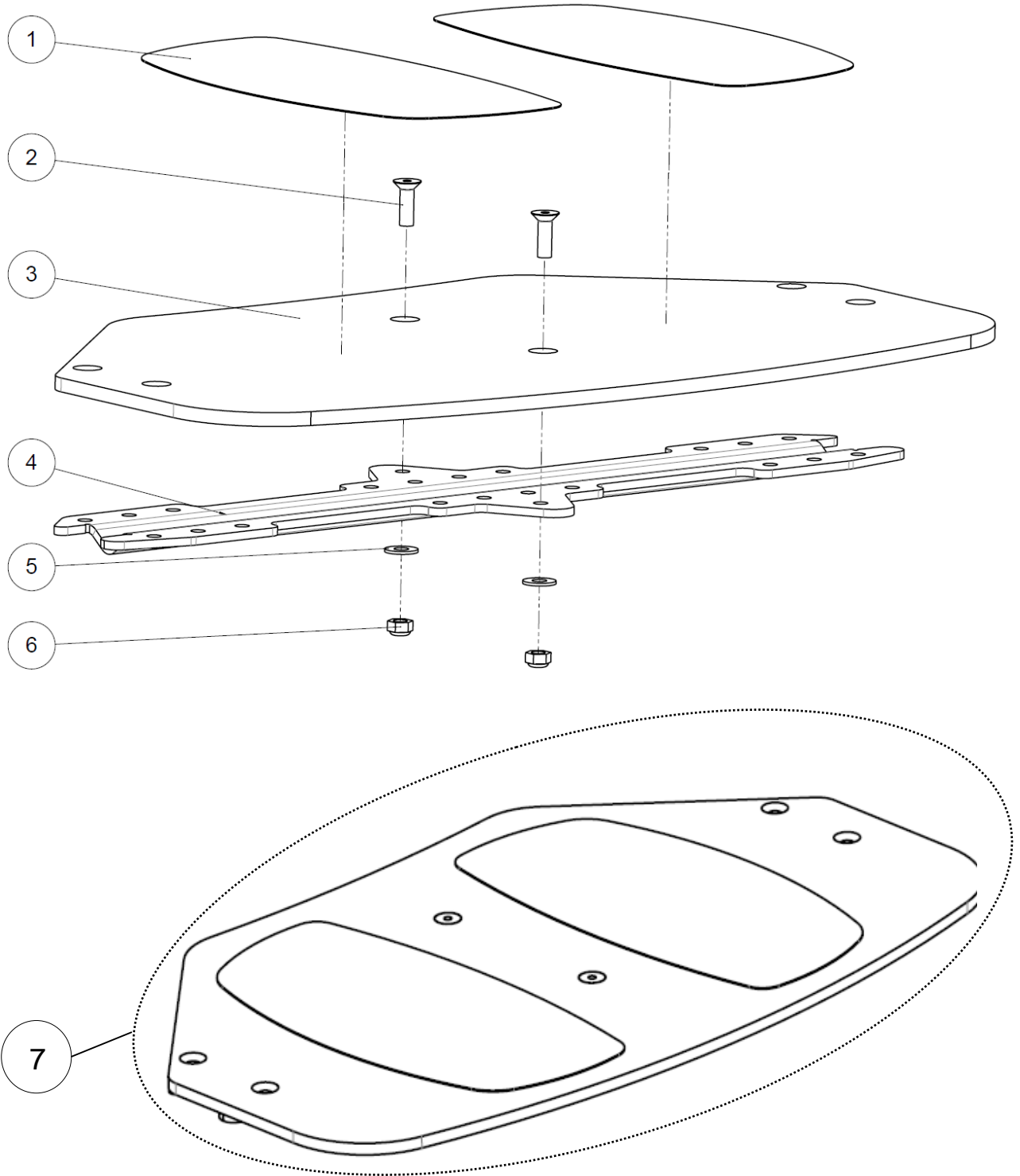


Footplate

Footplate					
Pos	Qty	Stock Code	Description En	Description Fr	Remark
1	4	600209	Hexagon socket countersunk head screw M5x20	Vis tête fraisée M5x20 six pans creux	
2	2	321931	Foot plate bracket	Equerre support palette	
3	4	614272	Spacer tube Ø25mm	Coupelle à tube Ø25mm	
4	4	RON-LL6ZN	Fender washer Ø6	Rondelle plate LL Ø6	
5	4	ECR-HFR6ZN	Prevaling torque type hexagon nut M6	Ecrou frein M6	
6	4	C0215XXXFO	Nut cap M6	Cache écrou M6	
7	4	RON-M5ZN	Plain washer Ø5	Rondelle plate M Ø5	
8	4	ECR-HFR5ZN	Prevaling torque type hexagon nut M5	Ecrou frein M5	
9	4	RON-M6ZN	Plain washer Ø6	Rondelle plate M Ø6	
10	4	VIS-CHC6X40ZN	Hexagon socket head cap screw M6x40	Vis tête cylindrique M6x40 six pans creux	
11	1	322081	Kit plate	Kit palette	See exploded view p.46
12	1	321682	Kit footplate	Kit palette repose pieds	

Footplate

Plate



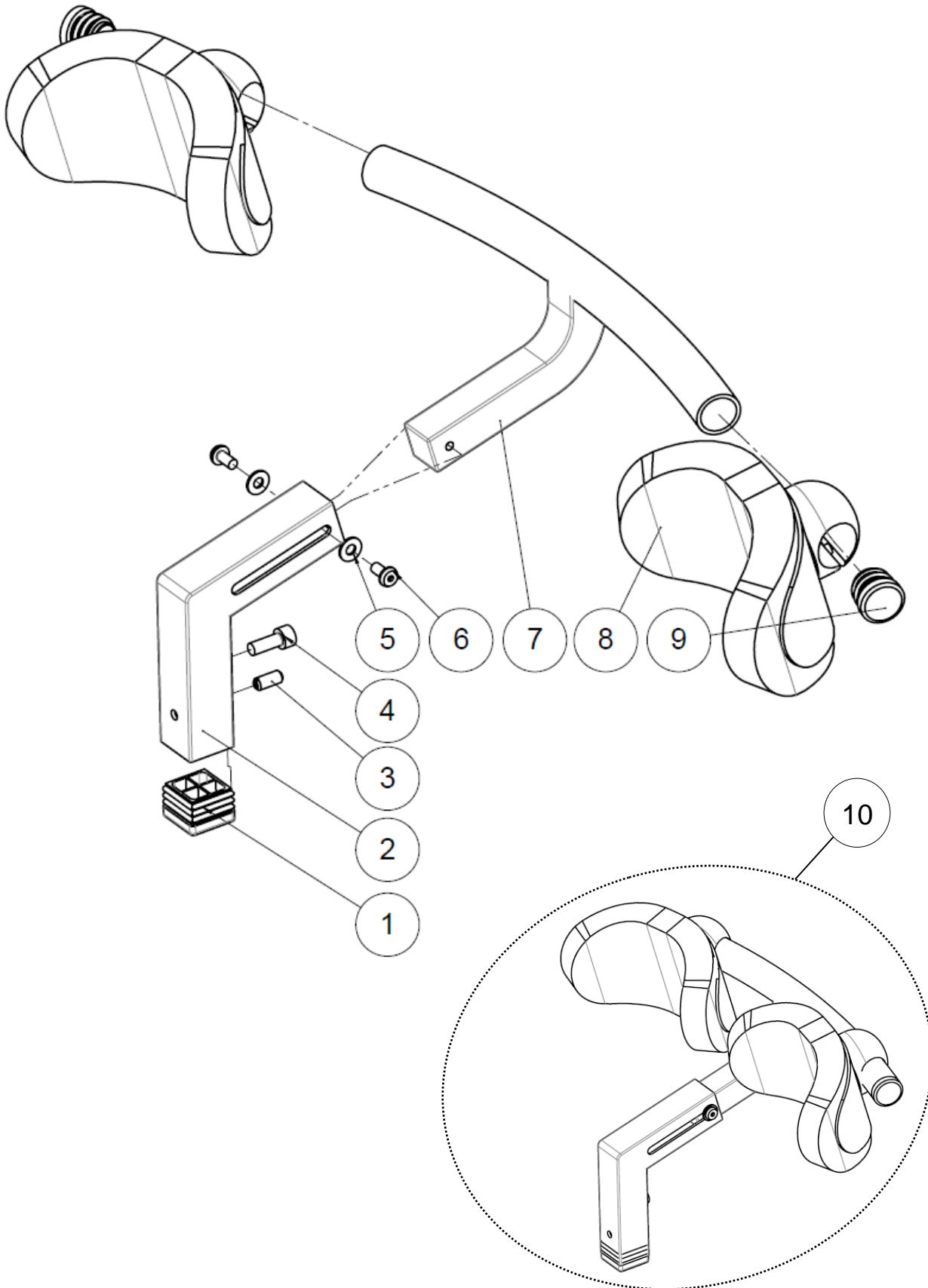


Footplate

Plate

Plate					
Pos	Qty	Stock Code	Description En	Description Fr	Remark
1	2	F0030XXXFO	Sticker footsupport	Antidérapant prédécoupé	
2	2	VIS-FHC5X16ZN	Hexagon socket countersunk head screw M5x16	Vis tête fraisée M5x16 six pans creux	
3	1	321511	Plate footplate	Palette repose pieds	
4	1	321510	Bracket footplate	Support palette	
5	2	RON-M5ZN	Plain washer Ø5	Rondelle plate M Ø5	
6	2	ECR-HFR5ZN	Prevaling torque type hexagon nut M5	Ecrou frein M5	
7	1	322081	Kit plate	Kit palette	

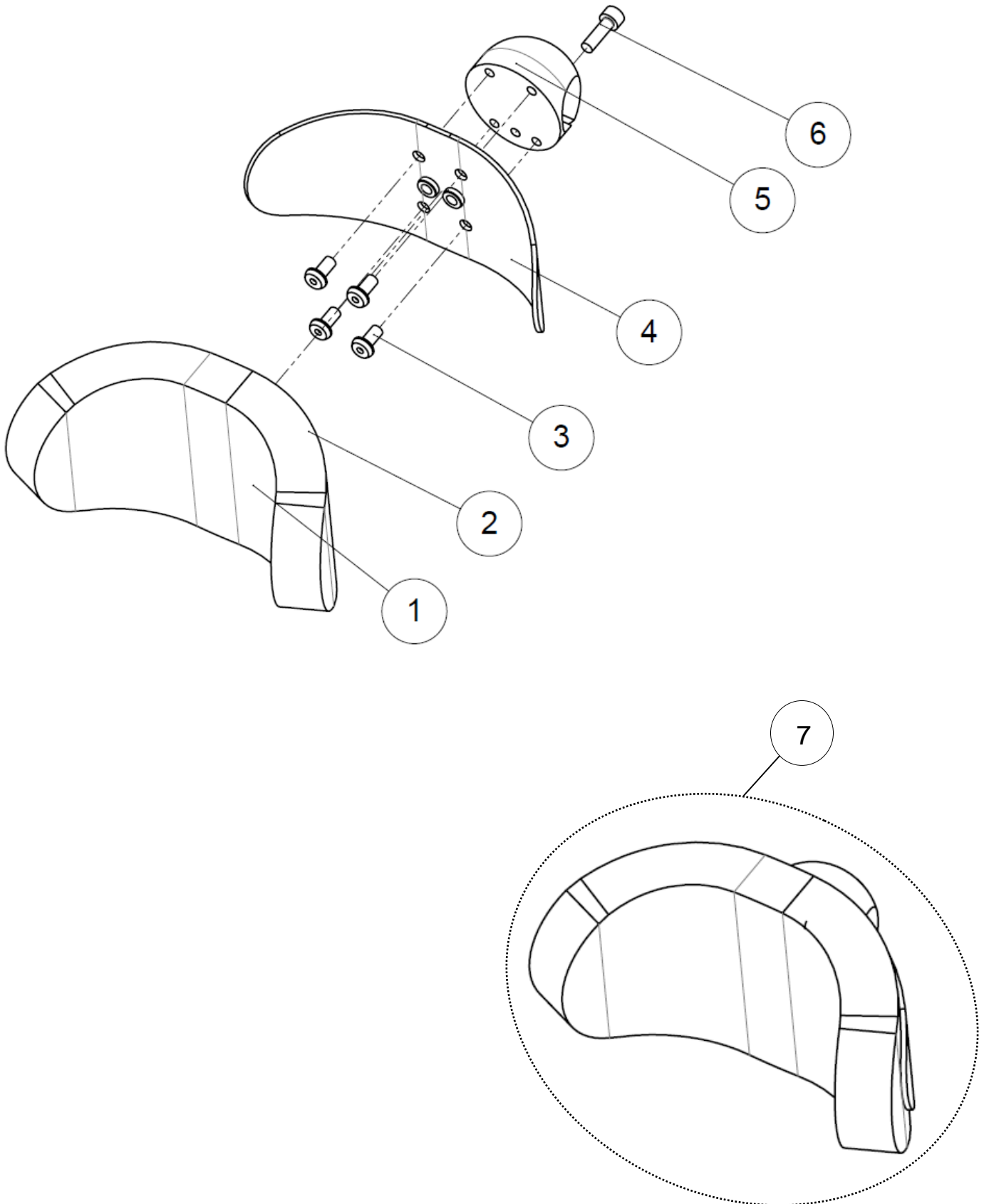
Kneerest





Kneerest

Kneerest					
Pos	Qty	Stock Code	Description En	Description Fr	Remark
1	1	601236	Plastic plug 25x25mm	Embout plastique 25x25mm	
2	1	321291	Tube kneerest	Tube réglable genouillère	
3	1	613904	Spring plunger M6	Poussoir à ressort M6	
4	1	VIS-CHC6X16ZN	Hexagon socket head cap screw M6x16	Vis tête cylindrique M6x16 six pans creux	
5	2	RON-M5ZN	Plain washer Ø5	Rondelle plate M Ø5	
6	2	VIS-CBHC5X10ZN	Hexagon socket button head screw M5x10	Vis tête bombée M5x10 six pans creux	
7	1	321290	Tube adjustment kneerest	Tube de genouillères	
8	2	322135	Kit kneerest nut (unit)	Kit noix genouillère (l'unité)	See exploded view p.50
9	2	L0005221FO	Round tube cap Ø22.1mm	Bouchon plastique Ø22.1mm	
10	1	321673	Kit kneerest	Kit genouillères	





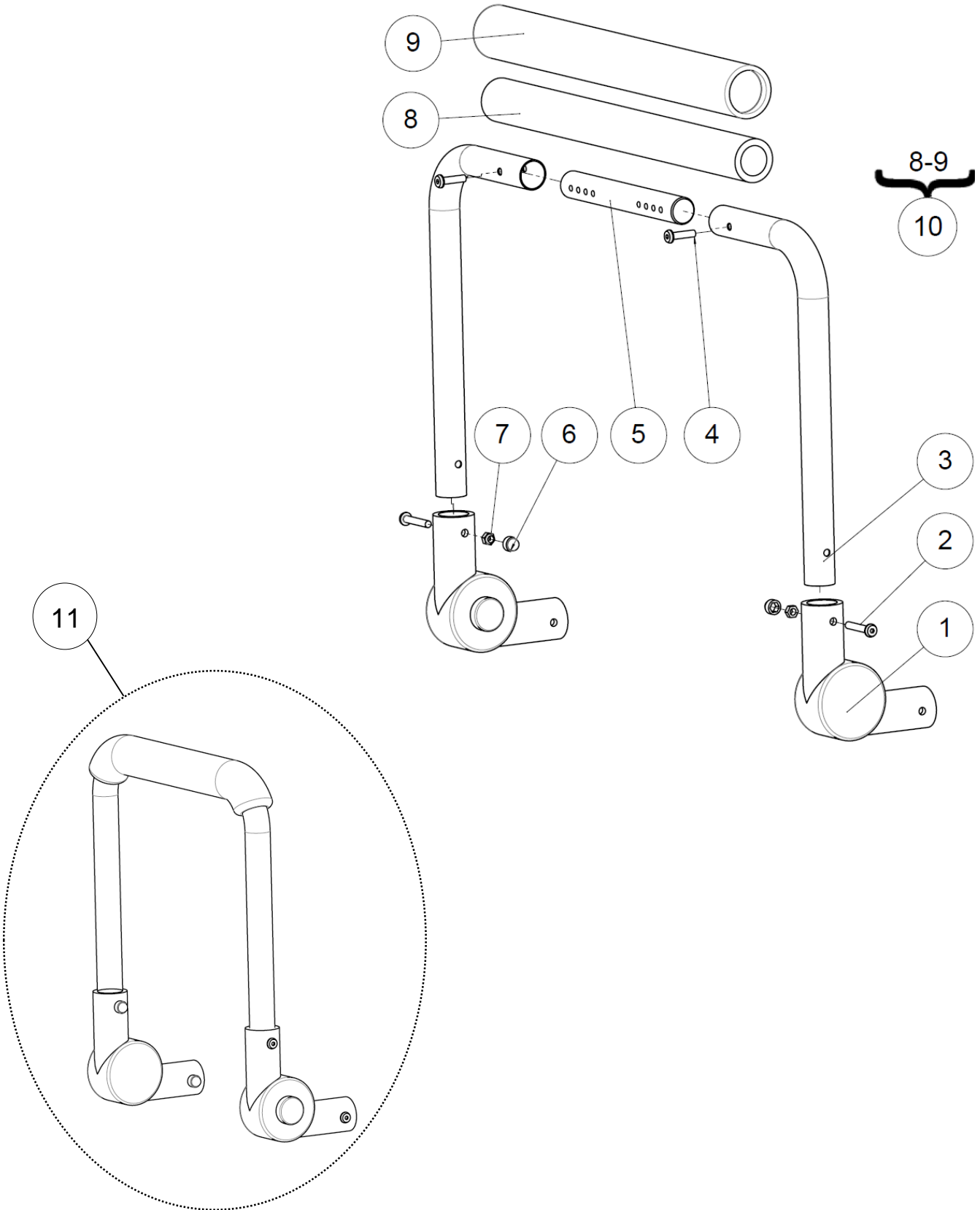
Kneerest

Kneerest nut

Kneerest nut

Pos	Qty	Stock Code	Description En	Description Fr	Remark
1	1	A3005XXXFO	Cushion foam kneesupport	Coussinet genouillère	
2	1	A3015XXXFO	Upholst textile kneesupport cover	Housse de genouillère	
3	4	VIS-CBHC5X10ZN	Hexagon socket button head screw M5x10	Vis tête bombée M5x10 six pans creux	
4	1	A3014XXXAI	Plate kneesupport	Armature de genouillère	
5	1	L3112FXXAI	Holder kneesupport	Noix de genouillère fendue	
6	1	VIS-CHC5X16ZN	Hexagon socket head cap screw M5x16	Vis tête cylindrique M5x16 six pans creux	
7	2	322135	Kit kneerest nut (unit)	Kit noix de genouillère (l'unité)	

Pushbar



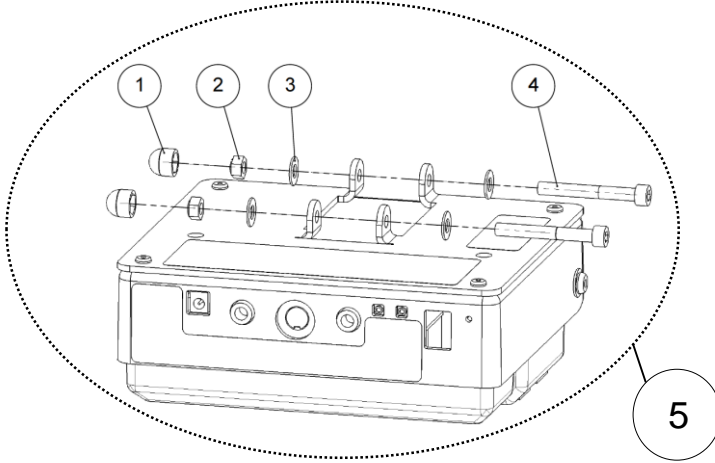


Pushbar

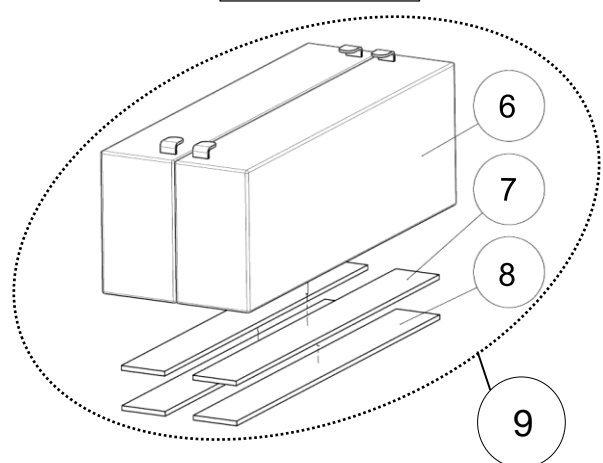
Pushbar					
Pos	Qty	Stock Code	Description En	Description Fr	Remark
1	2	K9003XXXFO	Articulation indexable Ø22mm	Articulation indexable Ø22mm	
2	4	VIS-CBHC5X30ZN	Hexagon socket button head screw M5x30	Vis tête bombée M5x30 six pans creux	
3	2	322079	Pushbar	Barre à pousser	
4	2	VIS-CBHC5X20ZN	Hexagon socket button head screw M5x20	Vis tête bombée M5x20 six pans creux	
5	1	322080	Slide bar	Coulisseau de bar à pousser	
6	4	614185	Nut cap M5	Cache écrou M5	
7	4	ECR-HFR5ZN	Prevailing torque type hexagon nut M5	Ecrou frein M5	
8	0,5	MP044XXXFO	Handle foam Lg.680mm	Mousse pour poignée Lg.680mm	1 piece of 340mm
9	1	322691	Pushbar cover	Housse barre à pousser	
10	1	322696	Kit pushbar cover (cover + foam)	Kit housse barre à pousser (house + mousse)	
11	1	322107	Kit pushbar	Kit barre à pousser	

Electronics

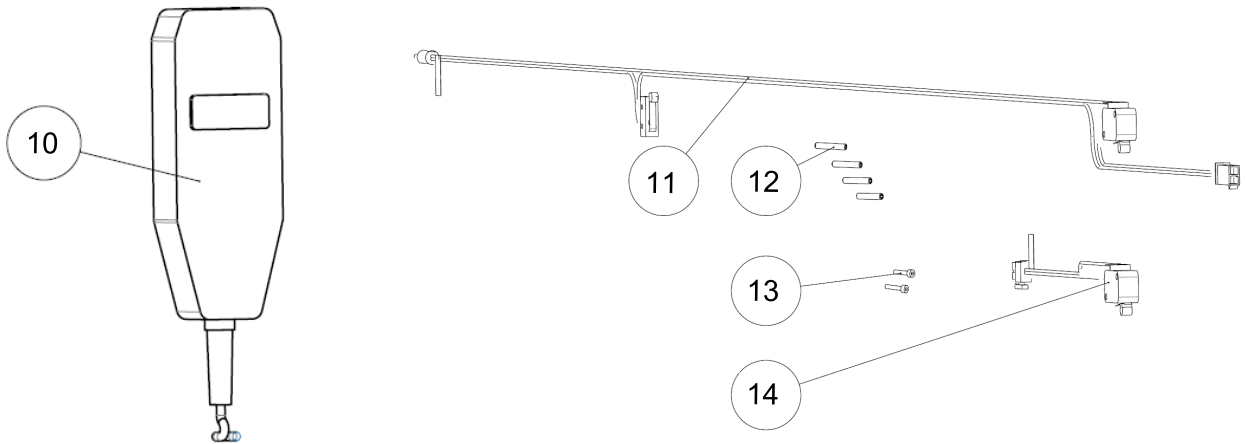
ELECTRONIC BOX



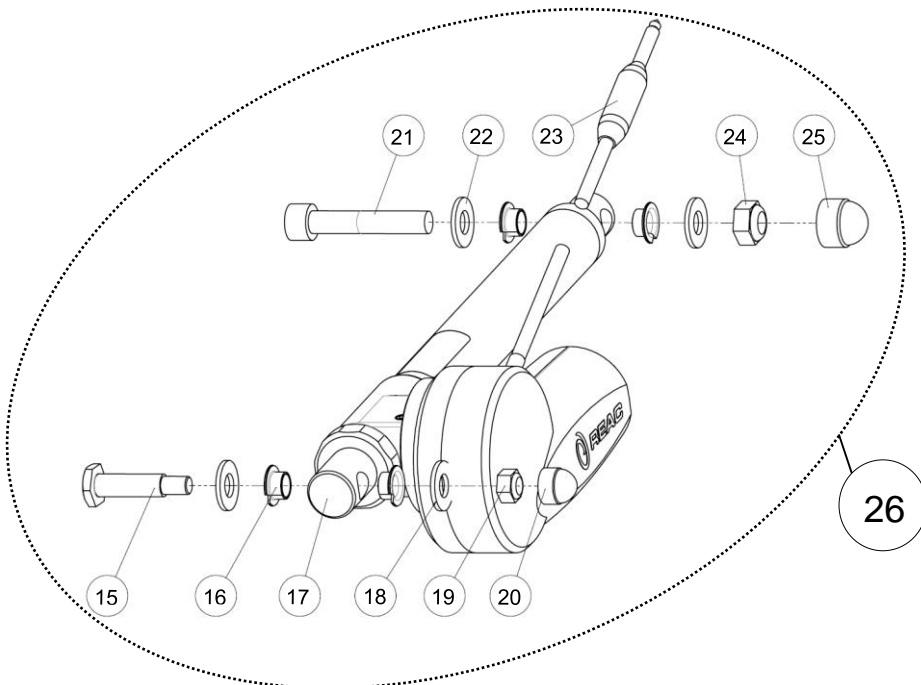
BATTERY



ELECTRONICS VARIOUS



ACTUATOR



Electronics

Electronic box

Pos	Qty	Stock Code	Description En	Description Fr	Remark
1	2	C0215XXXFO	Nut cap M6	Cache écrou M6	
2	2	ECR-HFR6ZN	Prevailing torque type hexagon nut M6	Ecrou frein M6	
3	4	RON-M6ZN	Plain washer Ø6	Rondelle plate M Ø6	
4	2	VIS-CHC6X50ZN	Hexagon socket head cap screw M6x50	Vis tête cylindrique M6x50 six pans creux	
5	1	321631	Kit electronic box + batteries	Kit boîtier électronique + batteries	

Battery

Pos	Qty	Stock Code	Description En	Description Fr	Remark
6	2	320705	Battery 12V	Batterie 12V	
7	0.35		Adhesive velcro black 2cm	Velcro adhésif crochet noir 2cm	NOT FOR SALE L6050CROFO
8	0.35		Adhesive velvet black 2cm	Velcro adhésif velour noir 2cm	NOT FOR SALE L6050VELFO
9	1	322124	Kit battery	Kit batteries	

Electronic various

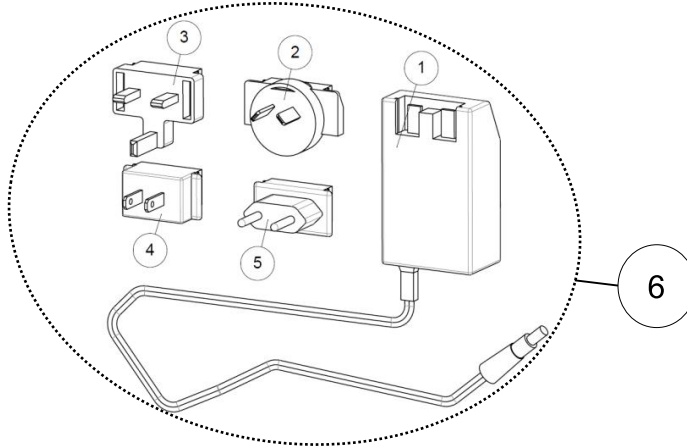
Pos	Qty	Stock Code	Description En	Description Fr	Remark
10	1	L5005XXXFO	Remote control	Télécommande verticalisation	
11	1	321621	Electronics wire security part 1	Faisceau de sécurité 1	
12	4	600693	Hexagon socket countersunk head screw M3x12	Vis tête fraisée M3x12 six pans creux	
13	2	614279	Hexagon socket head cap screw M2x10	Vis tête cylindrique M2x10 six pans creux	
14	1	321622	Electronics wire security part 2	Faisceau de sécurité 2	

Actuator

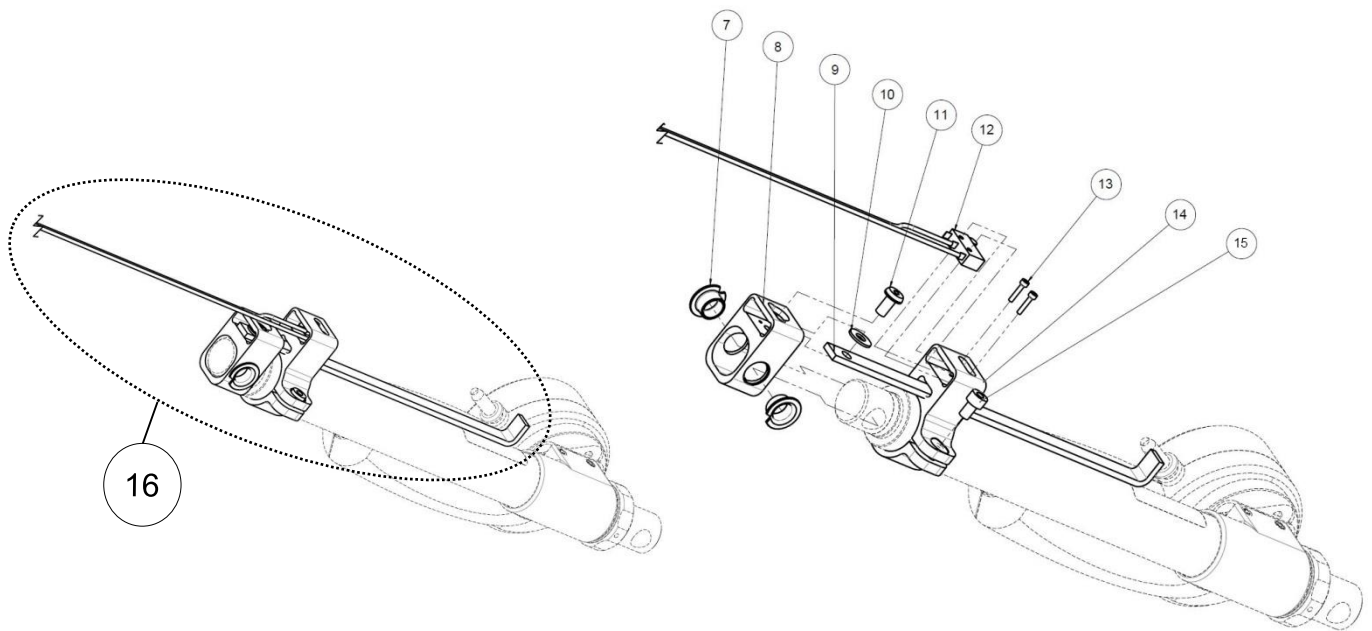
Pos	Qty	Stock Code	Description En	Description Fr	Remark
15	1	C0207XXXZN	Upper connexion rod axle	Axe articulation bielle sup.	
16	4	L0007100FO	Collar bearing 10x12x17mm	Coussinet à collerette 10x12x7mm	
17	1	K5000XXXFO	Actuator RE25.4	Vérin RE25.4	
18	1	RON-M8ZN	Plain washer Ø8	Rondelle plate M Ø8	
19	1	ECR-HFR8ZN	Prevailing torque type hexagon nut M8	Ecrou frein M8	
20	1	C0214XXXFO	Nut cap M8	Cache écrou M8	
21	1	601231	Hexagon socket head cap screw M10x55	Vis tête cylindrique M10x55 six pans creux	
22	3	RON-M10ZN	Plain washer Ø10	Rondelle plate M Ø10	
23	1	L1232XXXFO	Connector plug 6.35mm	Connecteur jack 6.35mm	
24	1	ECR-HFR10ZN	Prevailing torque type hexagon nut M10	Ecrou frein M10	
25	1	C0216XXXFO	Nut cap M10	Cache écrou M10	
26	1	322137	Kit actuator	Kit vérin	

Electronics

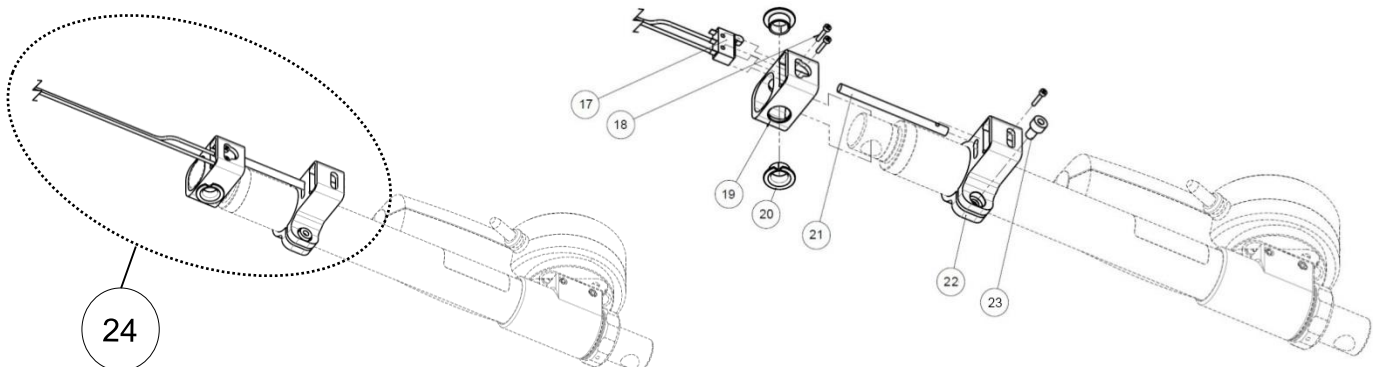
CHARGER + PLUGS



SECURITY STAND-UP



SECURITY RELAX



Electronics

Charger + plugs

Pos	Qty	Stock Code	Description Fr	Description En	Remark
1	1		Base chargeur 24V avec témoin	Charger for standing up 24v	NOT FOR SALE L5002SXXFO
2	1	L5003AUSFO	Plug primaire Australie	Australian plug	
3	1	L5003UKXFO	Plug primaire UK	UK plug	
4	1	L5003USAFO	Plug primaire USA	USA plug	
5	1	L5003EURFO	Plug primaire Europe	European plug	
6	1	322917	Kit charger 24V	Kit chargeur 24V	

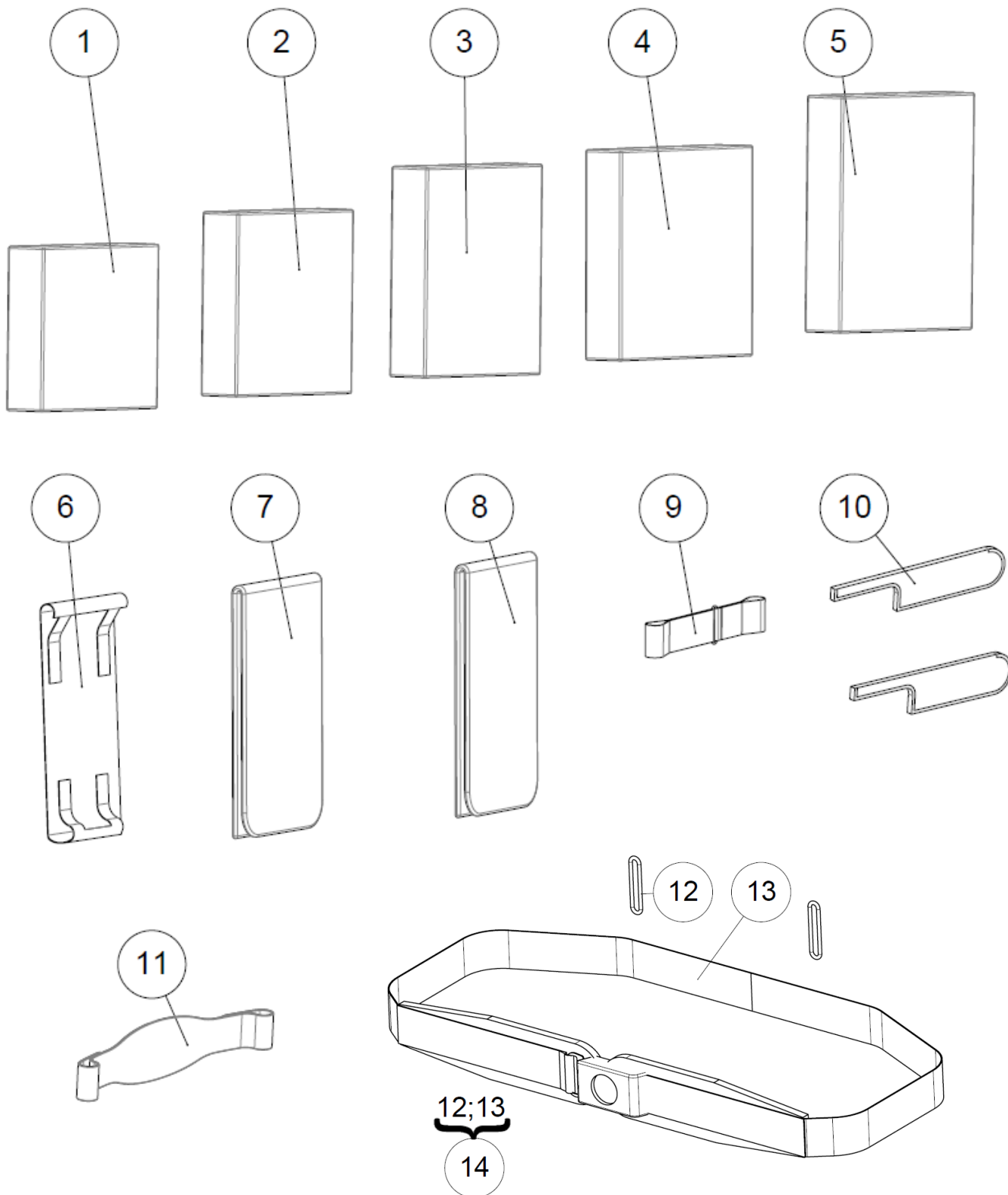
Security stand-up

Pos	Qty	Stock Code	Description Fr	Description En	Remark
7	2	L0007110FO	Collar bearing 10x12x9mm	Coussinet à collerette 10x12x9mm	
8	1	321401	Ring piston	Bague de serrage piston	
9	1	321403	Axe piston actuator	Languette bague de serrage piston	
10	1	RON-M5ZN	Plain washer Ø5	Rondelle plate M Ø5	
11	1	VIS-CBHC5X10ZN	Hexagon socket button head screw M5x10	Vis tête bombée M5x10 six pans creux	
12	1	321905	Security wire actuator	Faisceau de sécurité vérin	
13	2	614279	Hexagon socket head cap screw M2x10	Vis tête cylindrique M2x10 six pans creux	
14	1	321400	Ring actuator	Bague de serrage vérin	
15	1	VIS-CHC5X8BR	Hexagon socket head cap screw M5x8	Vis tête cylindrique M5x8 six pans creux	
16	1	321647	Kit security stand-up	Kit limitation verticalisation	

Security relax

Pos	Qty	Stock Code	Description Fr	Description En	Remark
17	1	321905	Security wire actuator	Faisceau de sécurité vérin	
18	3	614279	Hexagon socket head cap screw M2x10	Vis tête cylindrique M2x10 six pans creux	
19	1	321401	Ring piston	Bague de serrage piston	
20	2	L0007110FO	Collar bearing 10x12x9mm	Coussinet à collerette 10x12x9mm	
21	1	321402	Axe ring actuator	Axe bague de serrage vérin	
22	1	321400	Ring actuator	Bague de serrage vérin	
23	1	VIS-CHC5X8BR	Hexagon socket head cap screw M5x8	Vis tête cylindrique M5x8 six pans creux	
24	1	321648	Kit security relax	Kit limitation relax	

Textiles

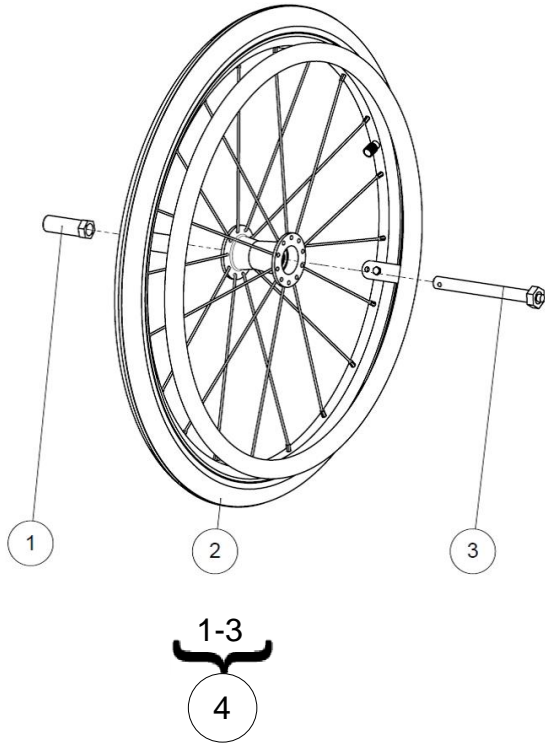


Textiles

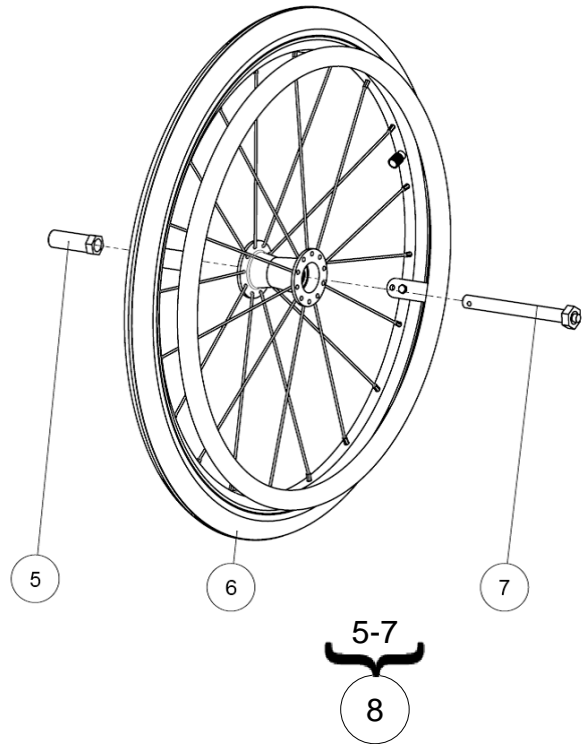
Textiles					
Pos	Qty	Stock Code	Description En	Description Fr	Remark
1	1	321236	Seat cushion 280x250x50mm	Coussin visco 280x250x50mm	
2	1	321237	Seat cushion 280x280x50mm	Coussin visco 280x280x50mm	
3	1	321238	Seat cushion 280x320x50mm	Coussin visco 280x320x50mm	
4	1	321239	Seat cushion 320x320x50mm	Coussin visco 320x320x50mm	
5	1	321240	Seat cushion 320x360x50mm	Coussin visco 320x360x50mm	
6	1	321625	Upholst seat frame	Toile arrière	
7	1	321629	Seat cover 28-30cm	Toile d'assise 28-30cm	
8	1	321630	Seat cover 32-34cm	Toile d'assise 32-34cm	
9	1	L6002XX1FO	Universal one-strap	Sous-dossier 1 sangle	11 pieces for the biggest configuration
10	1	321795	Sandow cover (pair)	Housses de sandows (paire)	
11	1	N-POMOL05	Support calf strap	Sangle mollet	
12	2	L6008XXXFO	Metal ring	Boucle métallique	
13	1		Chest strap S&M CM034	Ceinture ventre S&M CM034	NOT FOR SALE N-POBAS30
14	1	322914	Kit bodypoint chest strap S&M	Kit ceinture ventral S&M	

Rear wheels

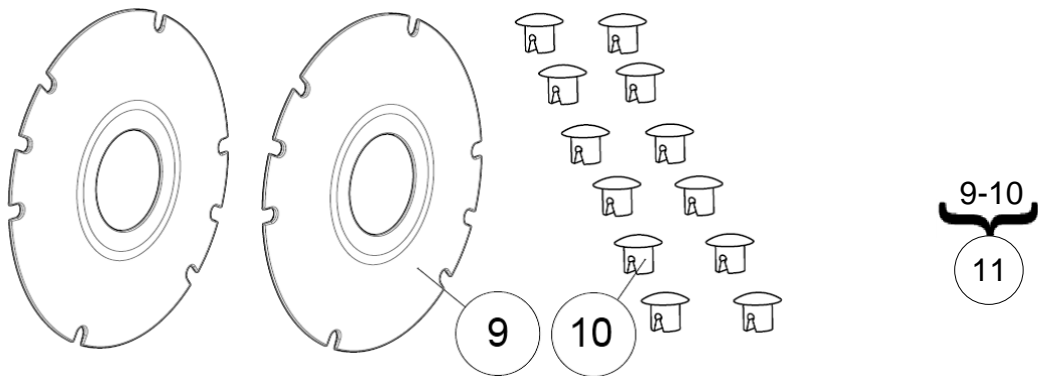
REAR WHEELS 20"



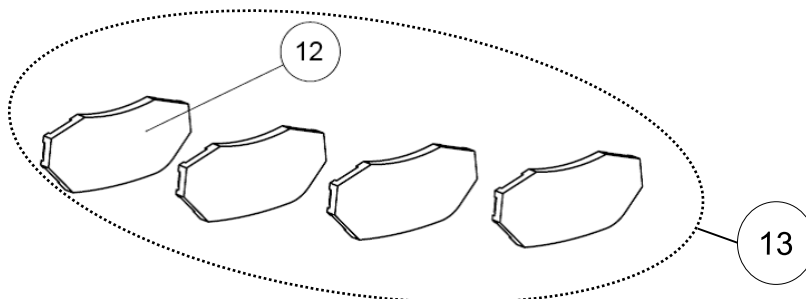
REAR WHEELS 22"



WHEEL FLANGE 22"



REFLECTORS



Rear wheels

Rear wheels 20"

Pos	Qty	Stock Code	Description En	Description Fr	Remark
1	2	A7650X04FO	Bushing release axle M16x1 - Ø12x50mm	Palier démontage rapide M16x1 - Ø12x50mm	
2	2	614187	Complete rear wheel 20" (rim + tire + hand rim + spoke)	Roue arrière 20" complète (jante + pneu + main courante + rayons)	
3	2	614188	Quick release axle	Axe QR pour roue arrière	
4	1	322140	Kit wheels 20" (pair)	Kit roues 22" (paire)	

Rear wheels 22"

Pos	Qty	Stock Code	Description En	Description Fr	Remark
5	2	A7650X04FO	Bushing release axle M16x1 - Ø12x50mm	Palier démontage rapide M16x1 - Ø12x50mm	
6	2	L7550HPRFO	Complete rear wheel 22" (rim + tire + hand rim + spoke)	Roue Ø550/HP + Main courante 22"	1,560 Kg / piece
7	2	614188	Quick release axle	Axe QR pour roue arrière	
8	1	321963	Kit wheels 22" (pair)	Kit roues 22" (paire)	

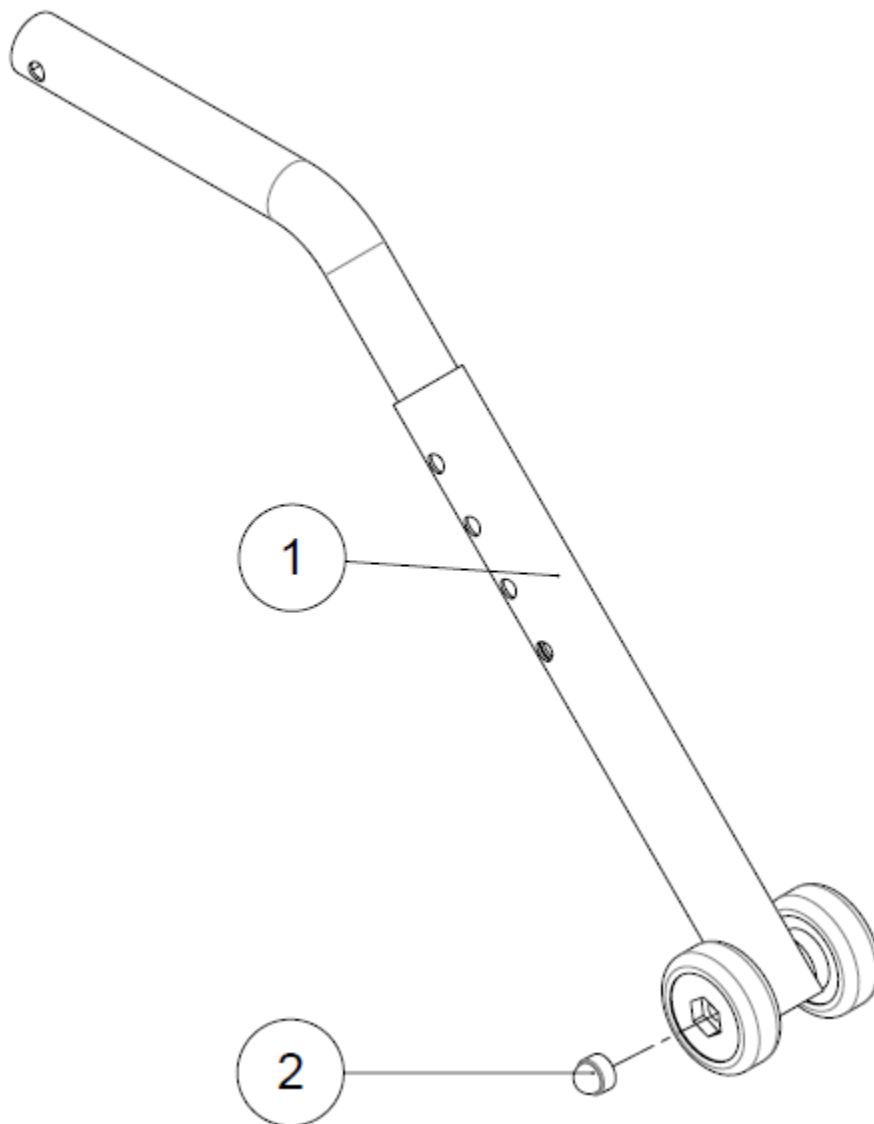
Wheel flange for 22" wheels

Pos	Qty	Stock Code	Description En	Description Fr	Remark
9	2	L7003550FO	Wheel flange for 22" wheels	Flasque pour roue 22"	
10	12	L7003XXXFO	Wheel flange clips	Clips flasque de roue	
11	1	321967	Kit wheel flange for 22" wheels (pair)	Kit flasque de roue 22" (paire)	

Reflectors

Pos	Qty	Stock Code	Description En	Description Fr	Remark
12	4	L0014XXXFO	Reflector	Catadioptré	
13	1	L7121XXXFO	Kit of 4 reflectors	Kit de 4 catadioptrés	

Anti-tipper wheel





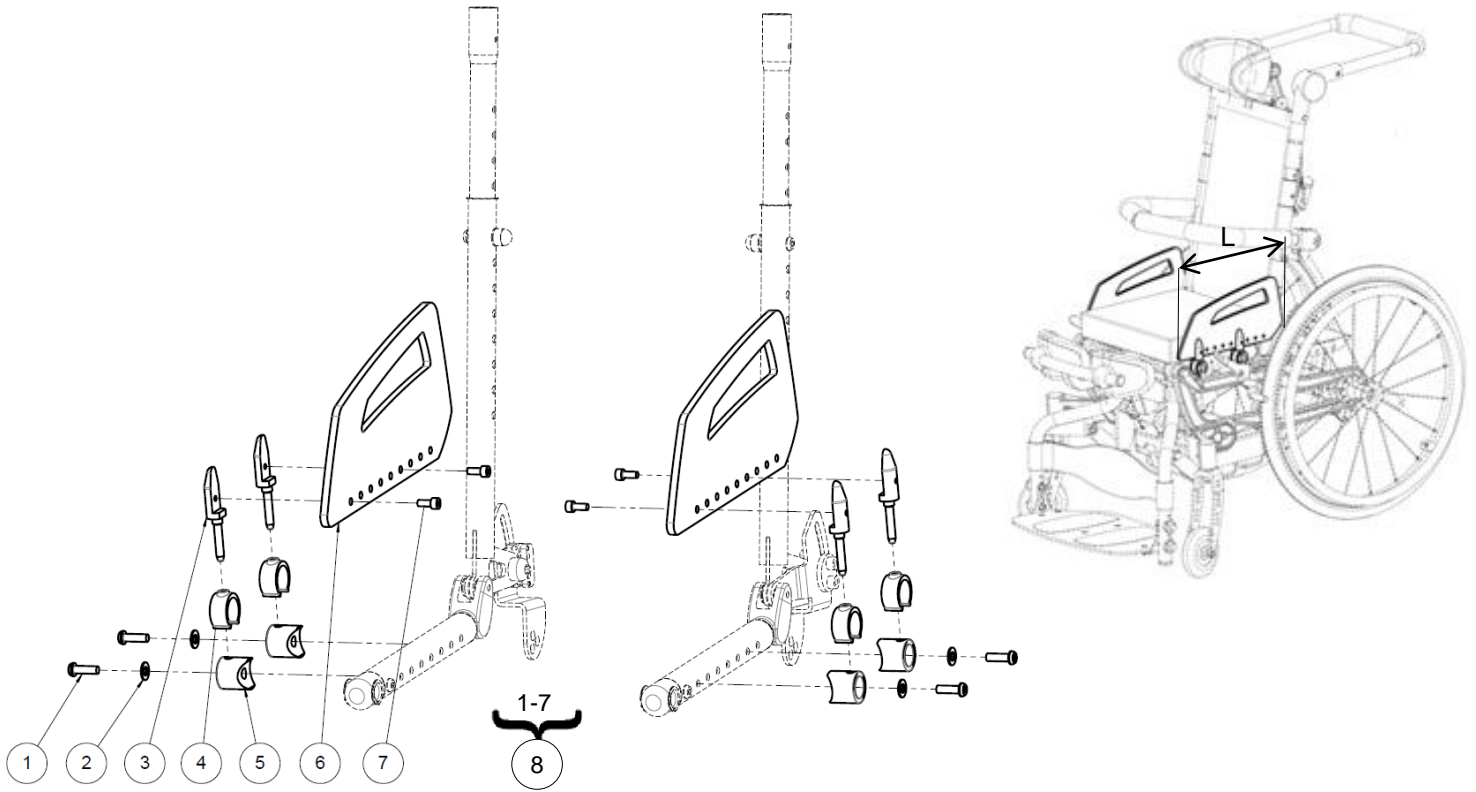
Anti-tipper wheel

Anti-tipper wheel

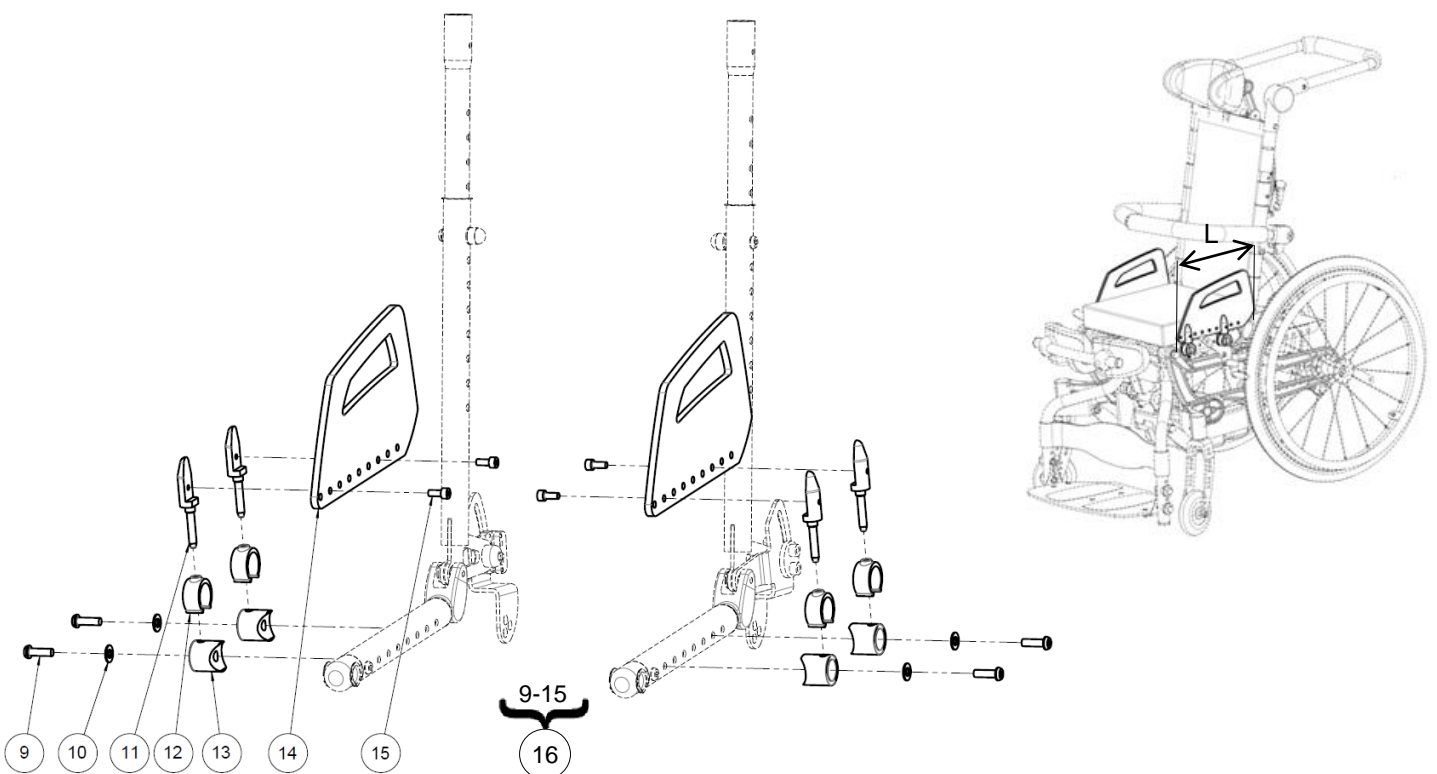
Pos	Qty	Stock Code	Description En	Description Fr	Remark
1	0.5	L9020XXXFO	Anti-tipper wheel Ø40mm (pair)	Roulettes anti-bascule Ø40mm (paire)	
2	1	614185	Nut cap M5	Cache écrou M5	

Side guards

SIDE GUARDS LONG



SIDE GUARDS SHORT



Side guards

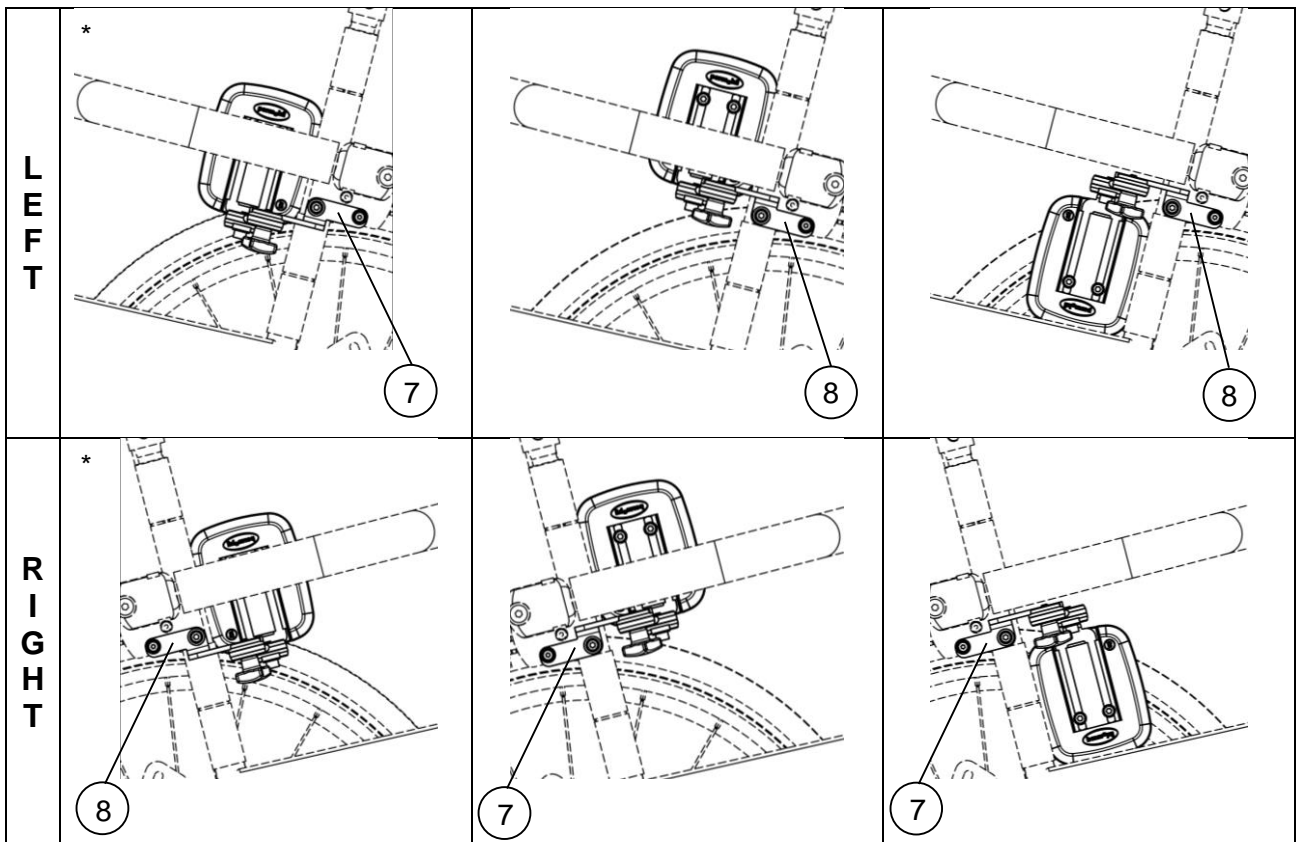
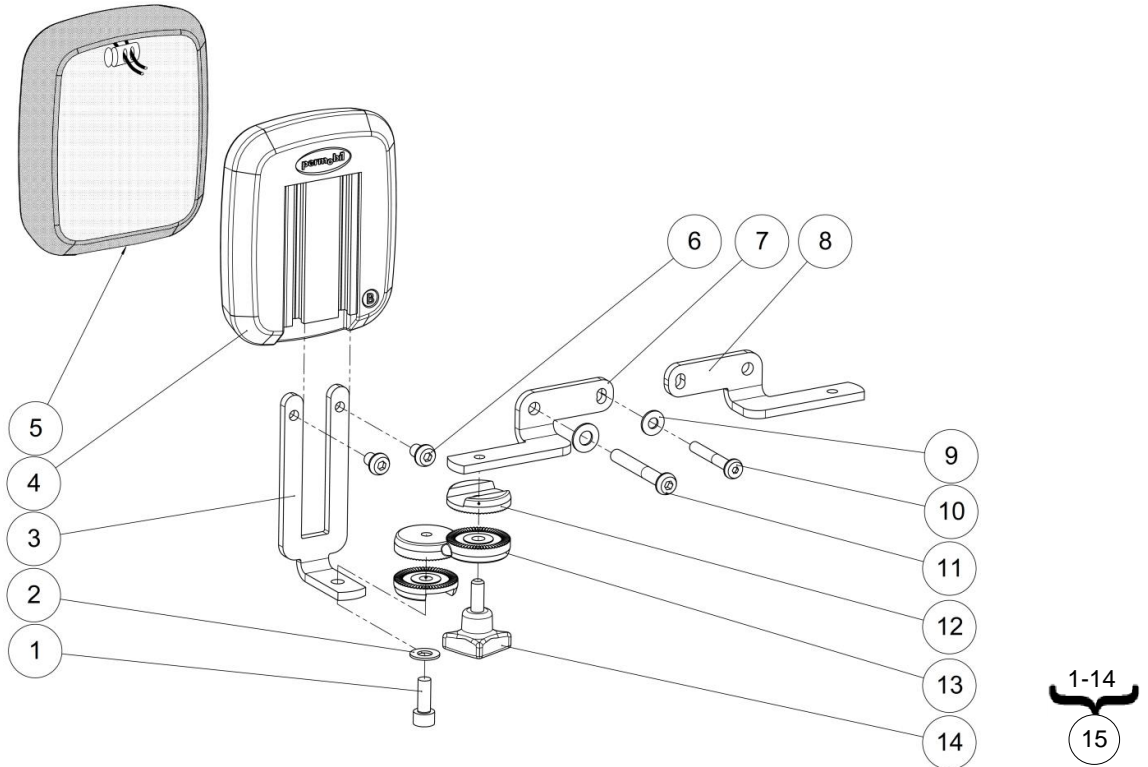
Side guards long

Pos	Qty	Stock Code	Description En	Description Fr	Remark
1	4	VIS-CBHC6X20ZN	Hexagon socket button head screw M6x20	Vis tête bombée M6x20 six pans creux	
2	4	RON-M6ZN	Plain washer Ø6	Rondelle plate M Ø6	
3	4	L9012XXXFO	Pin bracket side guards	Axe protection latérale	
4	4	L0009XXXFO	Tube lock	Verrou de tube	
5	4	C9011XXXFO	Spacer tube	Entretoise dru usinée	
6	2	C9111XXXFO	Clothes guards long	Protège vêtements long	L ≈ 254
7	4	VIS-CHC5X12ZN	Hexagon socket head cap screw M5x12	Vis tête cylindrique M5x12 six pans creux	
8	1	C9010XXXFO	Kit side guards long (pair)	Kit protections latérales long (paire)	

Side guards short

Pos	Qty	Stock Code	Description En	Description Fr	Remark
9	4	VIS-CBHC6X20ZN	Hexagon socket button head screw M6x20	Vis tête bombée M6x20 six pans creux	
10	4	RON-M6ZN	Plain washer Ø6	Rondelle plate M Ø6	
11	4	L9012XXXFO	Pin bracket sideguards	Axe protection latérale	
12	4	L0009XXXFO	Tube lock	Verrou de tube	
13	4	C9011XXXFO	Spacer tube	Entretoise dru usinée	
14	2	C9111XSHFO	Clothes guards short	Protège vêtements court	L ≈ 213
15	4	VIS-CHC5X12ZN	Hexagon socket head cap screw M5x12	Vis tête cylindrique M5x12 six pans creux	
16	1	C9010XSHFO	Kit side guards short (pair)	Kit protections latérales court (paire)	

Trunk support

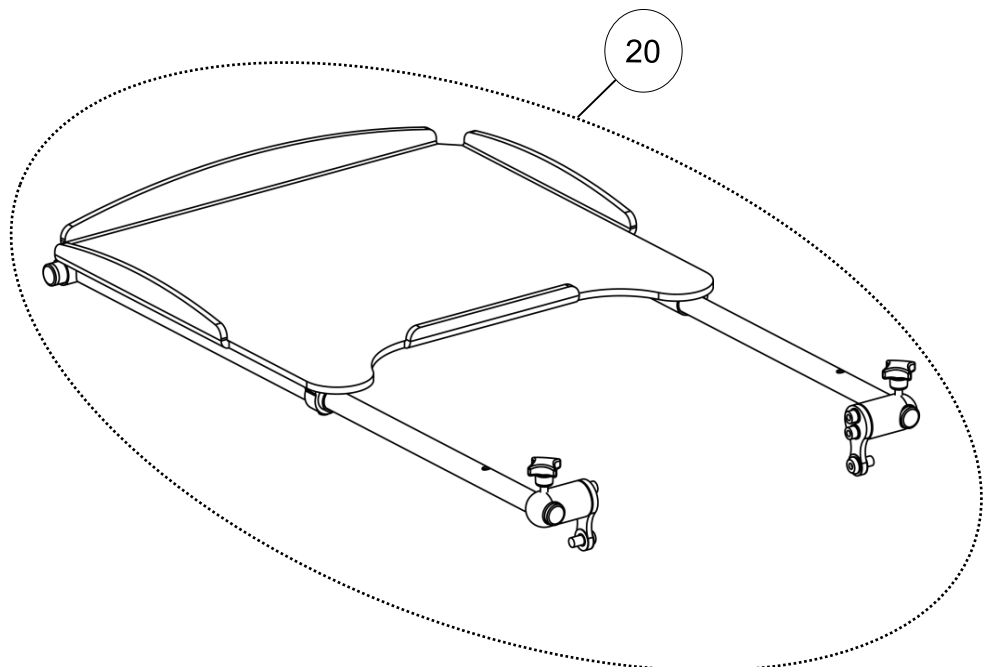
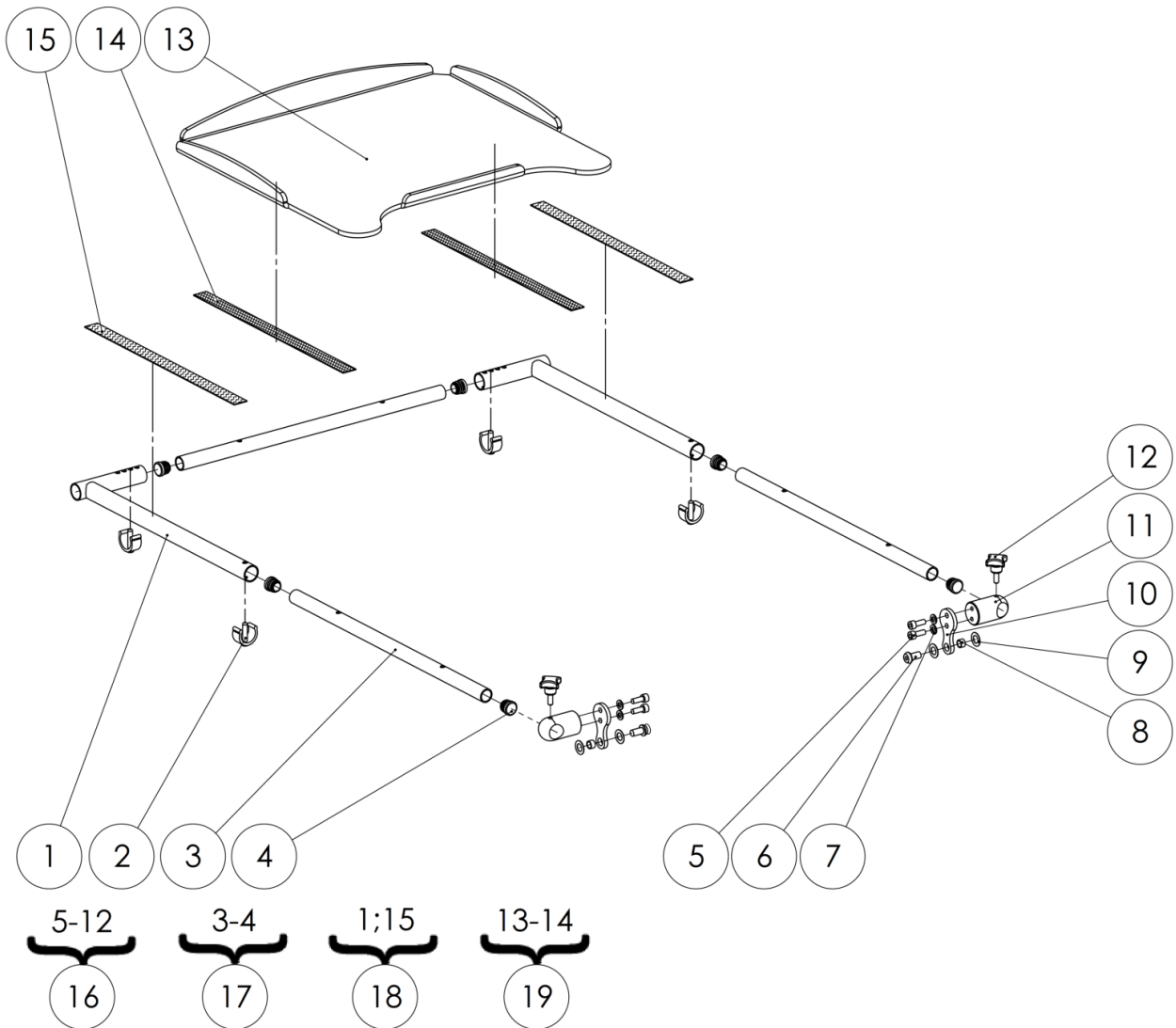


*Default delivery configuration of the kit 321766

Trunk support

Trunk support					
Pos	Qty	Stock Code	Description En	Description Fr	Remark
1	1	VIS-CHC6X16ZN	Hexagon socket head cap screw M6x16	Vis tête cylindrique M6x16 six pans creux	
2	2	RON-M6ZN	Plain washer Ø6	Rondelle plate M Ø6	
3	1	322305	Cushion plate	Platine de réglage coussin	
4	1	P1821690	Cushion support 110x90mm	Coussin caoutchouc 110x90mm	
5	1	P1821698	Mesh cover 110x90mm	Housse mesh 3D 110x90mm	
6	2	VIS-CBHC6X8ZN	Hexagon socket button head screw M6x8	Vis tête bombée M6x8 six pans creux	
7	1	322317	Support plate left/right	Plaque support gauche/droit	
8	1	322256	Support plate right/left	Plaque support droit/gauche	
9	1	RON-M5ZN	Plain washer Ø5	Rondelle plate M Ø5	
10	1	612979	Hexagon socket button head screw M5x35	Vis tête bombée M5x35 six pans creux	
11	1	VIS-CBHC6X45ZN	Hexagon socket button head screw M6x45	Vis tête bombée M6x45 six pans creux	
12	2	314519	Link adjustment	Disque de réglage cranté	
13	1	317026	Link bracket 25mm	Biellette de réglage crantée 25mm	
14	1	614478	Adjustable handle cross style M6x15	Poignée trio 35 M6x15	
15	1	321766	Kit trunk support (unit)	Kit cale tronc (l'unité)	

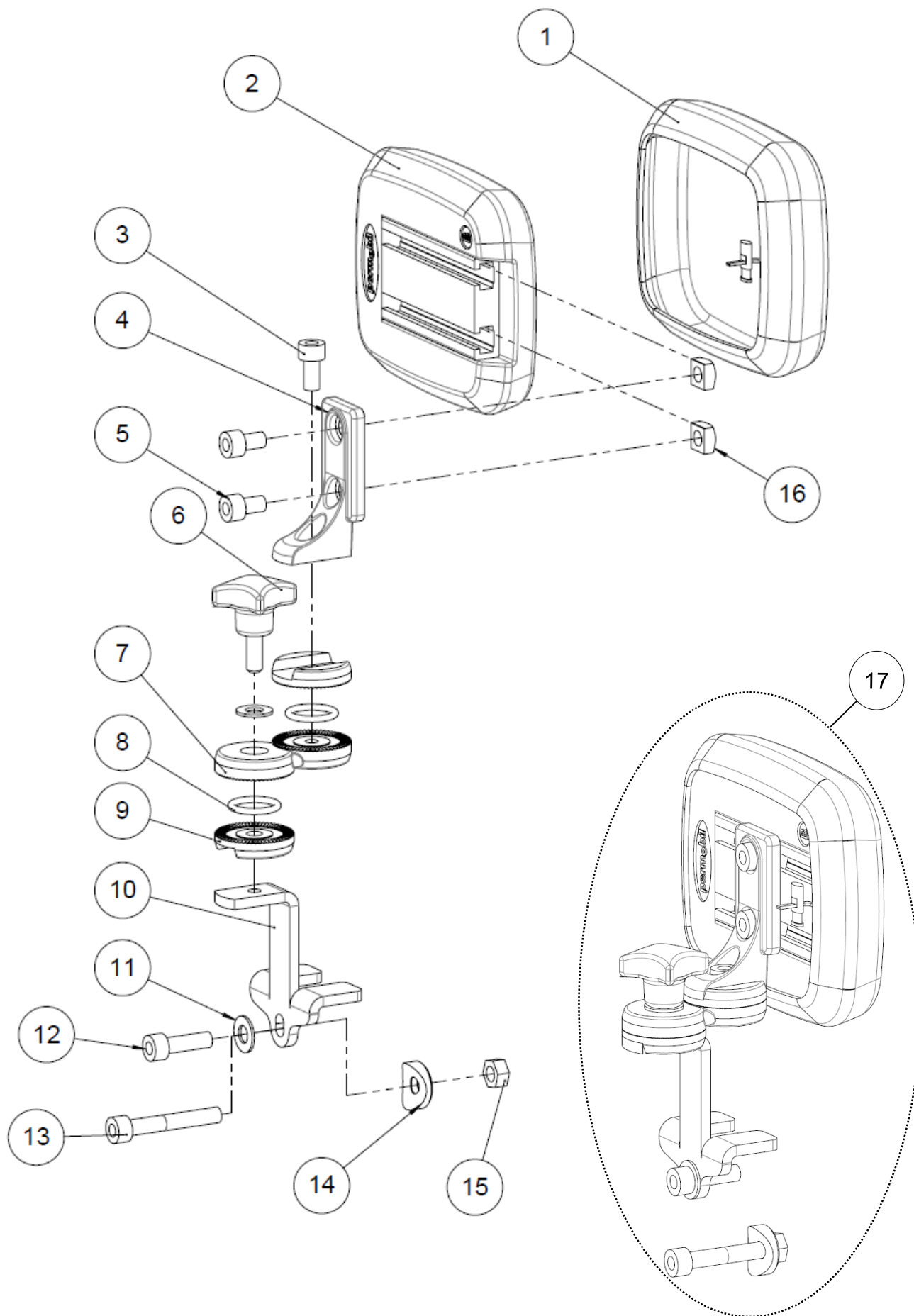
Worktable



Worktable

Worktable					
Pos	Qty	Stock Code	Description En	Description Fr	Remark
1	2		L-tube worktable	L-tube table de travail	NOT FOR SALE 322349
2	4	614365	Tube lock Ø19.1mm	Verrou de tube Ø19.1mm	
3	3		I-tube worktable	I-tube table de travail	NOT FOR SALE 322350
4	6	L0005180F0	Black cap tube Ø18mm	Bouchon plastique noir Ø18mm	
5	4	VIS-CHC6X16ZN	Hexagon socket head cap screw M6x16	Vis tête cylindrique M6x16 six pans creux	
6	2	601404	Hexagon socket button head screw M8x16	Vis tête bombée M6x16 six pans creux	
7	4	RON-M6ZN	Plain washer Ø6	Rondelle plate M Ø6	
8	2	322642	Spacer Ø10xØ8,1x6,1mm	Entretoise Ø10xØ8,1x6,1mm	
9	4	RON-Z10FINEPLAS	Nylon washer Ø10,2x18x0,5mm	Rondelle plate nylon Ø10,2x18x0,5mm	
10	2	322362	Support plate worktable	Platine support tablette	
11	2	322460	Nut worktable	Noix table de travail	
12	2	614478	Adjustable handle cross style M6x15	Poignée trio 35 M6x15	
13	1		Worktable LSRKid	Tablette LSRKid	NOT FOR SALE 321368
14	0,032		Adhesive Velcro velvet black 2cm	Velcro adhésif velours noir 2cm	NOT FOR SALE L6050VELFO
15	0,032		Adhesive Velcro hook black 2cm	Velcro adhésif crochet noir 2cm	NOT FOR SALE L6050CROFO
16	2	322714	Kit nut worktable	Kit noix worktable	
17	3	322715	Kit I-tube + plastic cap	Kit I-tube + bouchon plastique	
18	2	322710	Kit L-tube + velcro	Kit L-tube + velcro	
19	1	322709	Kit plate + velcro	Kit tablette + velcro	
20	1	321386	Kit worktable	Kit tablette de travail	

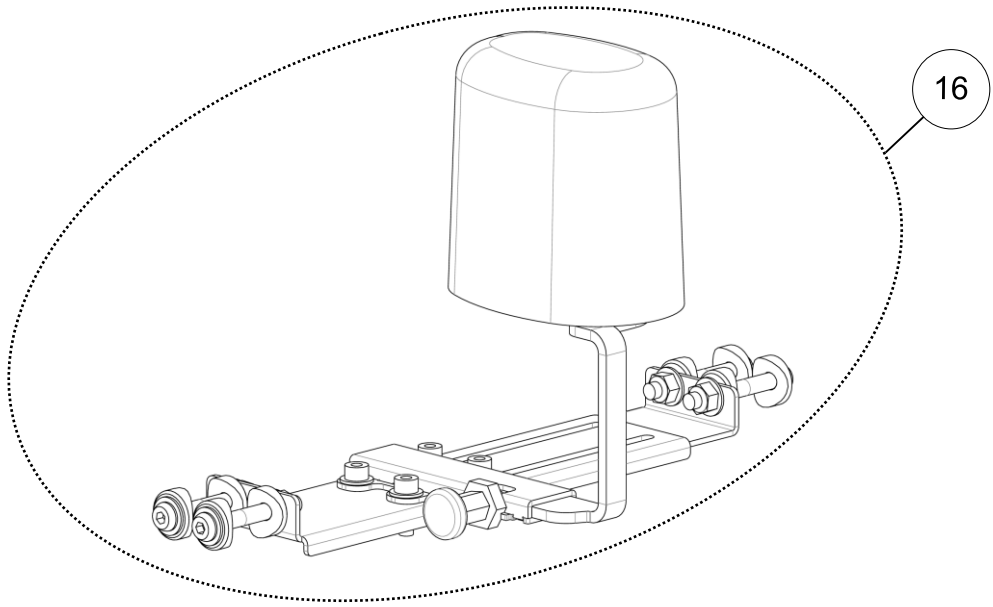
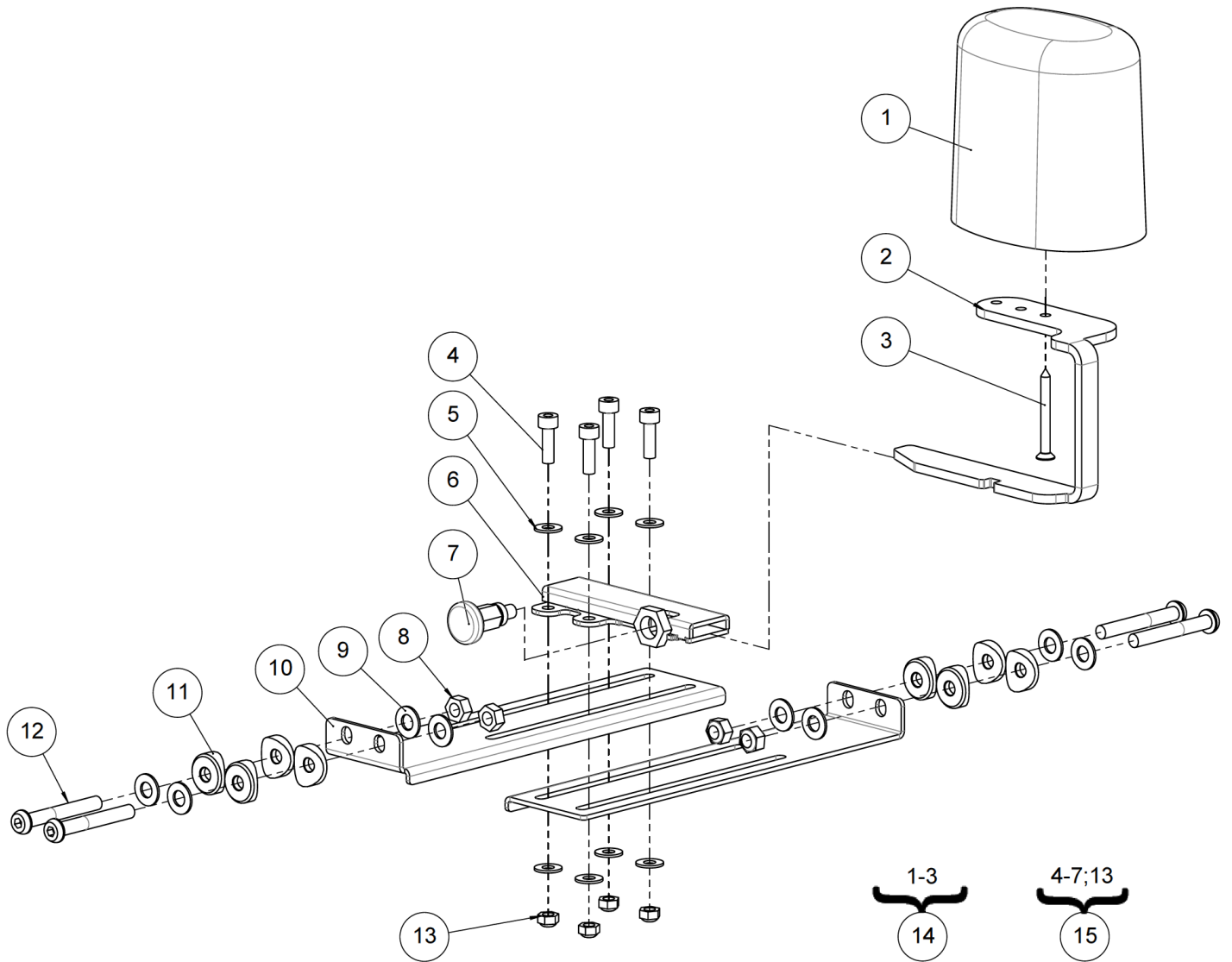
Hip / thigh support



Hip / thigh support

Hip / thigh support					
Pos	Qty	Stock Code	Description En	Description Fr	Remark
1	1	P1821698	Mesh cover 110x90mm	Housse mesh 3D 110x90mm	
2	1	P1821690	Cushion support 110x90mm	Coussin caoutchouc 110x90mm	
3	1	VIS-CHC6X12ZN	Hexagon socket head cap screw M6x12	Vis tête cylindrique M6x12 six pans creux	
4	1	314797	Bracket thigh support	Support cale cuisse	
5	2	VIS-CHC6X10ZN	Hexagon socket head cap screw M6x10	Vis tête cylindrique M6x10 six pans creux	
6	1	614478	Adjustable handle cross style M6x15	Poignée trio 35 M6x15	
7	1	317026	Link bracket 25mm	Biellette de réglage crantée 25mm	
8	2	612912	Rubber ring Ø15.3x2.4mm	Joint torique Ø15.3x2.4mm	
9	2	314519	Link adjustment	Disque de réglage cranté	
10	1	322780	Plate hip/thigh support	Plaque cale hanche/cuisse	
11	2	RON-M6ZN	Plain washer Ø6	Rondelle plate M Ø6	
12	1	VIS-CHC6X20ZN	Hexagon socket head cap screw M6x20	Vis tête cylindrique M6x20 six pans creux	
13	1	VIS-CHC6X40ZN	Hexagon socket head cap screw M6x40	Vis tête cylindrique M6x40 six pans creux	
14	1	L0002254AI	Spacer for tube Ø25.4mm	Coupelle tube Ø25.4mm	
15	1	ECR-HFR6ZN	Prevailing torque type hexagon nut M6	Ecrou frein M6	
16	2	612947	Square nut M6	Ecrou carré M6	
17	1	322779	Kit hip / thigh support	Kit cale hanche / cuisse	

Abduction block



Abduction block

Abduction block					
Pos	Qty	Stock Code	Description En	Description Fr	Remark
1	1	614276	Abduction block small	Plot d'abduction petit	
2	1	322702	Support abduction block	Support plot d'abduction	
3	1	614479	Countersunk flat head chipboard screw cross recess Pozidrive M4x40	Vis tête fraisée pour aggloméré cruciforme Z « Pozidrive » M4x40	
4	4	VIS-CHC5X16ZN	Hexagon socket head cap screw M5x16	Vis tête cylindrique M5x16 six pans creux	
5	8	RON-M5ZN	Plain washer Ø5	Rondelle plate M Ø5	
6	1	322430	Locking bracket abduction block	Support blocage plot d'abduction	
7	1	614574	Index plunger M10x1	Doigt d'indexage M10x1	
8	4	ECR-HFR6ZN	Prevaling torque type hexagon nut M6	Ecrou frein M6	
9	8	RON-M6ZN	Plain washer Ø6	Rondelle plate M Ø6	
10	2	321786	Crossbeam plate	Plaque transversale	
11	8	L0002254AI	Spacer for tube Ø25,4mm	Coupelle tube Ø25,4mm	
12	4	VIS-CBHC6X45ZN	Hexagon socket button head screw M6x45	Vis tête bombée M6x45 six pans creux	
13	4	ECR-HFR5ZN	Prevaling torque type hexagon nut M5	Ecrou frein M5	
14	1	322704	Kit support abduction block	Kit support plot d'abduction	
15	1	322703	Kit locking bracket abduction block	Kit support blocage plot d'abduction	
16	1	322705	Kit abduction block	Kit plot d'abduction	