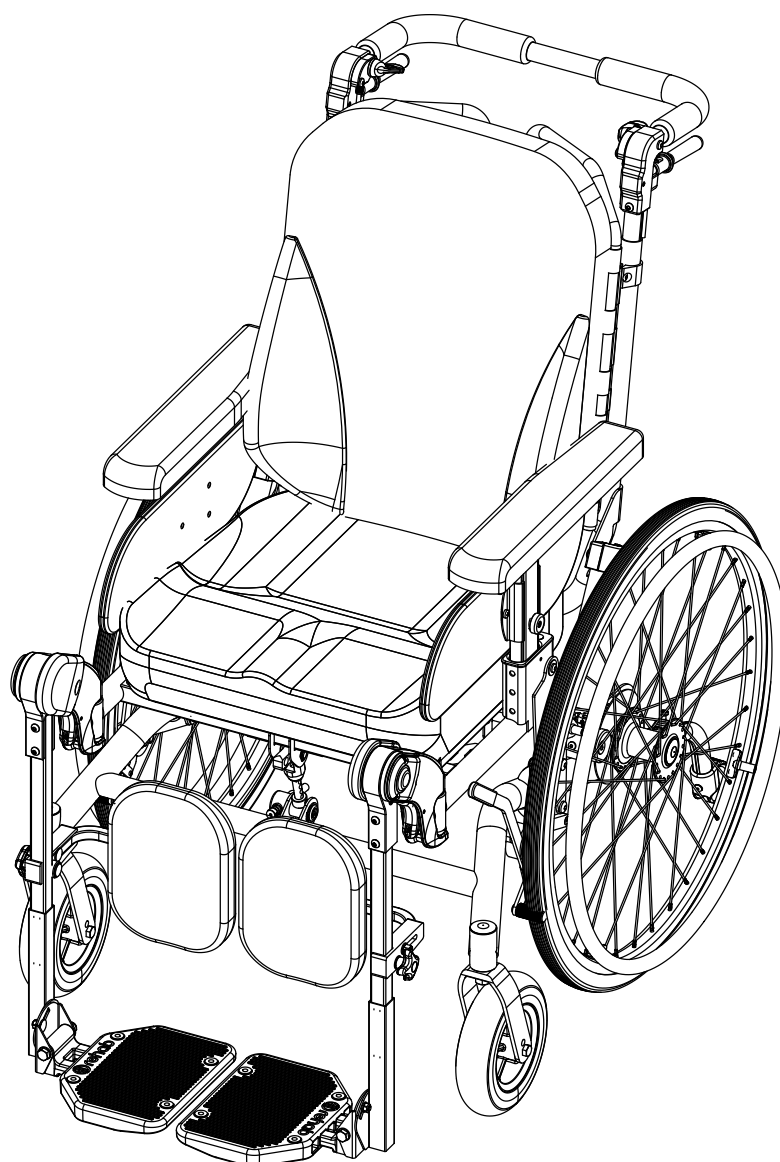


# Spare parts - HD Balance

► English

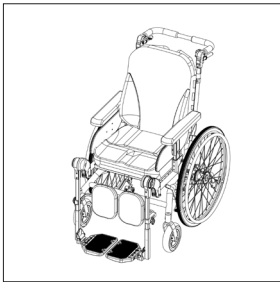


Art.no. 95740-1 Rev. C

# List of contents

## 0. OVERVIEW

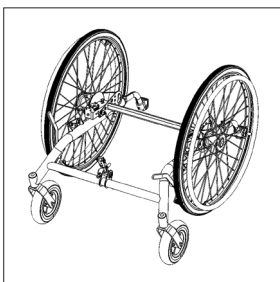
Page



Overview page 1	0.1	6
Overview page 2	0.2	8
Overview Chassi model page 1	0.3	10
Overview Chassi model page 2	0.4	12

## A. WHEELS AND WHEEL FRAME

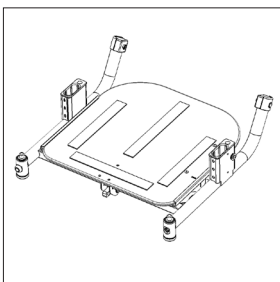
Page



Wheel frame 24"	A1.1	14
Wheel frame 16"	A1.2	16
Wheel fastening, disc brake	A2.1	18
Wheel fastening simple	A2.2	20
Castors	A3.1	22
Wheel 24" & 20" 6p	A4.1	24
Wheel 16"	A4.2	26
Wheel 24" & 20" 4p	A4.3	28
Antitip device	A5.1	30
Tilt lock with tilt bar	A6.1	32
Tilt bar	A6.2	34
User brake 24" & 16	A7.1	36
Guide, antitip device	A8.1	38
Tilt plate	A9.1	40
Spoke protection	A10.1	42

## B. SEAT

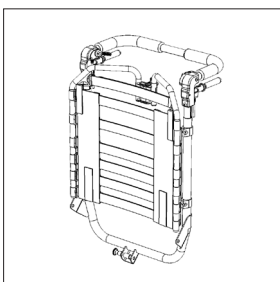
Page



Seat frame	B1.1	44
Seat frame Chassi model	B1.2	46
Seat plate	B2.1	48
Gas spring	B3.1	50
Fixed back bar	B3.2	52

## C. BACK

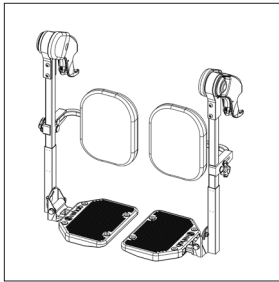
Page



Back frame	C1.1	54
Flexi back	C2.1	56
Solid back plate	C2.2	58
Push bar	C3.1	60
Push bar Extended & Bended	C3.2	62
Push handles	C3.3	64
Side unit standrad	C4.1	66
Side unit simple	C4.2	68
Side unit side adjustable	C4.3	70
Wire control	C5.1	72
Wire set brake	C5.2	74
Bracket, thoracic support	C6.1	76
Back Spacer & Bracket back frame	C7.1	78

**D. LEGRESTS**

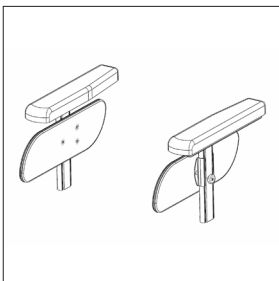
Page



Legrest standard, overview	D1.1	80
Legrest, angle adjustable	D1.2	82
Legrest Fixed angle	D1.3	84
Knee joint, angle adjustable	D1.4	86
Knee joint releasable	D1.5	88
Calf support, separate	D2.1	90
Calf support separate +30 & +50	D2.2	92
Calf support One piece	D2.3	94
Calf support One piece +30	D2.4	96
Calf Panel & Calf Strap	D2.5	98
Footrest, separate	D3.1	100
Footrest One piece	D3.2	102
Footbox	D3.3	104
Legrest Amputee	D4.1	106
Knee joint Amputee	D4.2	108
Heel Strap	D5.1	110
Footrest Side	D6.1	112

**E. ARMRESTS**

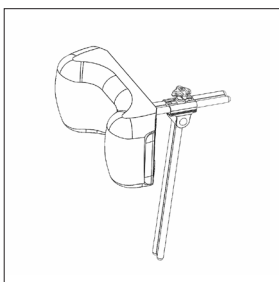
Page



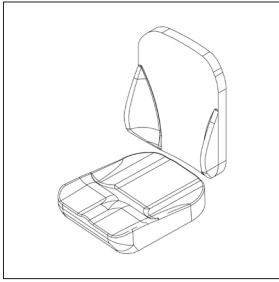
Armrest Standard & Low	E1.1	114
Armrest with Wedge support	E1.2	116
Armrest Unit Standard	E2.1	118
Armrest Unit Low	E2.2	120
Armrest Wide Standard & Low	E2.3	122
Side Support standard & Low	E3.1	124
Wedge Support	E3.2	126
Hemiplegia High model	E4.1	128
Hemiplegia Low model	E4.2	130
Elbowrest	E5.1	132
Lock Armrest	E5.2	134
Spacers for Side Support	E6.1	136

**F. ACCESSORIES**

Page



Thoracic supports std small & wide	F1.1	138
Thoracic support adj. short & long	F1.2	140
Thoracic support Swing Standard	F1.3	142
Thoracic support Swing Short	F1.4	144
Thoracic support Swing Long	F1.5	146
Thoracic support Mini	F1.6	148
Joint Thoracic support Swing	F1.7	150
Tables	F2.1	152
Supporting Table	F2.2	154
Mug tray	F2.3	156
Fastening Table tray	F2.4	158
Neckrest Side	F3.1	160
Lateral Neck support	F3.2	162
Headrest Side	F3.3	164
Lateral Head support & Housing	F3.4	166
Headrest Basic	F3.5	168
Extension Bar Headrest	F3.6	170
Fastening Belt	F4.1	172
Bag Hook	F4.1	172
Profile Stop	F4.1	172
Pommel & Fastening Pommel	F5.1	174
Harness Brackets set for Flexi Back	F6.1	176
Harness Brackets set for Solid Back	F6.2	178
IV Pole & Bracket IV Pole	F7.1	180
Extra Side padding	F8.1	182
Footplate Pads & One Piece	F9.1	184
Electrical Actuators for Tilt & Back	F10.1	186
Shoulder Support	F11.1	188
Oxygen Tank Holder	F12.1	190



Seat cushions	G1.1	192
Seat Cushions Hygiene	G1.2	194
Back cushions Standard	G2.1	196
Back cushions Flat	G2.2	198

## HD Balance 24

Art.no.      Description

### Standard

60210-6	HD Balance 24 sw38
60310-6	HD Balance 24 sw42
60410-6	HD Balance 24 sw46
60510-6	HD Balance 24 sw50

### Extended

60215-6	HD Balance 24 sw38 Extended
60315-6	HD Balance 24 sw42 Extended
60415-6	HD Balance 24 sw46 Extended
60515-6	HD Balance 24 sw50 Extended

### Reinforced

60220-6	HD Balance 24 sw38 Reinforced
60320-6	HD Balance 24 sw42 Reinforced
60420-6	HD Balance 24 sw46 Reinforced
60520-6	HD Balance 24 sw50 Reinforced

### Reinforced & Extended

60225-6	HD Balance 24 sw38 Reinforced Extended
60325-6	HD Balance 24 sw42 Reinforced Extended
60425-6	HD Balance 24 sw46 Reinforced Extended
60525-6	HD Balance 24 sw50 Reinforced Extended

### Chassi model

60230-6	Chassi 24 sw38
60330-6	Chassi 24 sw42
60430-6	Chassi 24 sw46
60530-6	Chassi 24 sw50

### Chassi model Extended

60235-6	Chassi 24 sw38 Extended
60335-6	Chassi 24 sw42 Extended
60435-6	Chassi 24 sw46 Extended
60535-6	Chassi 24 sw50 Extended



## HD Balance 16

Art.no.      Description

### Standard

60250-6      HD Balance 16 sw38  
60350-6      HD Balance 16 sw42  
60450-6      HD Balance 16 sw46  
60550-6      HD Balance 16 sw50

### Extended

60255-6      HD Balance 16 sw38 Extended  
60355-6      HD Balance 16 sw42 Extended  
60455-6      HD Balance 16 sw46 Extended  
60555-6      HD Balance 16 sw50 Extended

### Reinforced

60260-6      HD Balance 16 sw38 Reinforced  
60360-6      HD Balance 16 sw42 Reinforced  
60460-6      HD Balance 16 sw46 Reinforced  
60560-6      HD Balance 16 sw50 Reinforced

### Reinforced & Extended

60265-6      HD Balance 16 sw38 Reinforced Extended  
60365-6      HD Balance 16 sw42 Reinforced Extended  
60465-6      HD Balance 16 sw46 Reinforced Extended  
60565-6      HD balance 16 sw50 Reinforced Extended

### Chassi

60270-6      Chassi 16 sw38  
60370-6      Chassi 16 sw42  
60470-6      Chassi 16 sw46  
60570-6      Chassi 16 sw50

### Chassi Extended

60275-6      Chassi 16 sw38 Extended  
60375-6      Chassi 16 sw42 Extended  
60475-6      Chassi 16 sw46 Extended  
60575-6      Chassi 16 sw50 Extended

**Spare parts****HD Balance****0.1**Refers to exploded view: **Overview page 1**

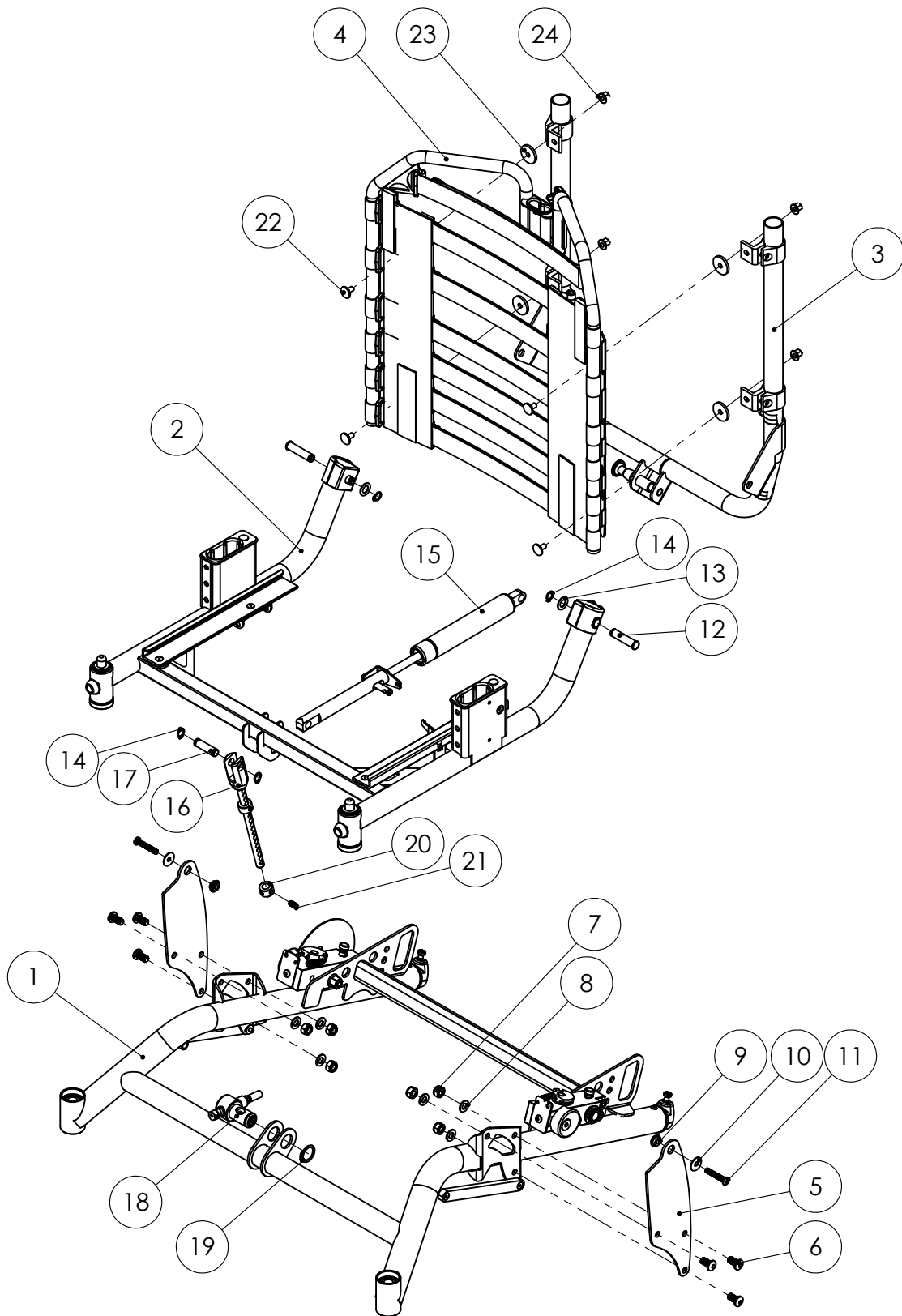
0.1 - rev. C

rev. 2018-02-26

Pos.	Art.no.	Description	Incl.
1		WHEEL FRAME 24	see page A1.1
		WHEEL FRAME 24 Reinforced	see page A1.1
		WHEEL FRAME 16	see page A1.2
		WHEEL FRAME 16 Reinforced	see page A1.2
2		SEAT FRAME	see page B1.1
		SEAT FRAME Reinforced	see page B1.1
3		BACK FRAME	see page C1.1
		BACK FRAME Reinforced	see page C1.1
4		BACK SYSTEM	see page C2.1
5		TILT PLATE	see page A9.1
6	81350	SCREW K6S M8x16 SV.	
7	81523	LOCKING NUT M8 FZ	
8	81603	WASHER BRB8,4x16x1,5	
9	67061	WASHER Tilt Plate	
10	81655	WASHER M6 6.4x18x1.6 DIN 9021 Black	
11	81344	SCREW K6S M6x35 SV.	
12	62192	PIN Frame joint	
13	81615	WASHER 10,2x18x1 FZB	
14	81731	CIRCLIP SGA 10	
15		GAS SPRING	see page B3.1
16		TILT BAR	see page A6.1
17		PIN Gas spring	see page A6.1
18		TILT LOCK	see page A6.1
19		CIRCLIP SGA 20	see page A6.1
20		STOP RING tilt bar	see page A6.1
21	81325	SCREW P6SS M6x12	
	62250-9	SCREW KIT Flexi cpl	22-24
22	81256	SCREW MVBF M6x20 black	
23	81671	WASHER pl. 26x3x6.5	
24	81545	LOCKING NUT DIN 6926 M6	

Sammanställning sida 1

Denna ritning får ej kopieras eller överlätas utan tillstånd av HD Rehab AB



**Spare parts****HD Balance****0.2**Refers to exploded view: **Overview page 2**

0.2 - rev. B

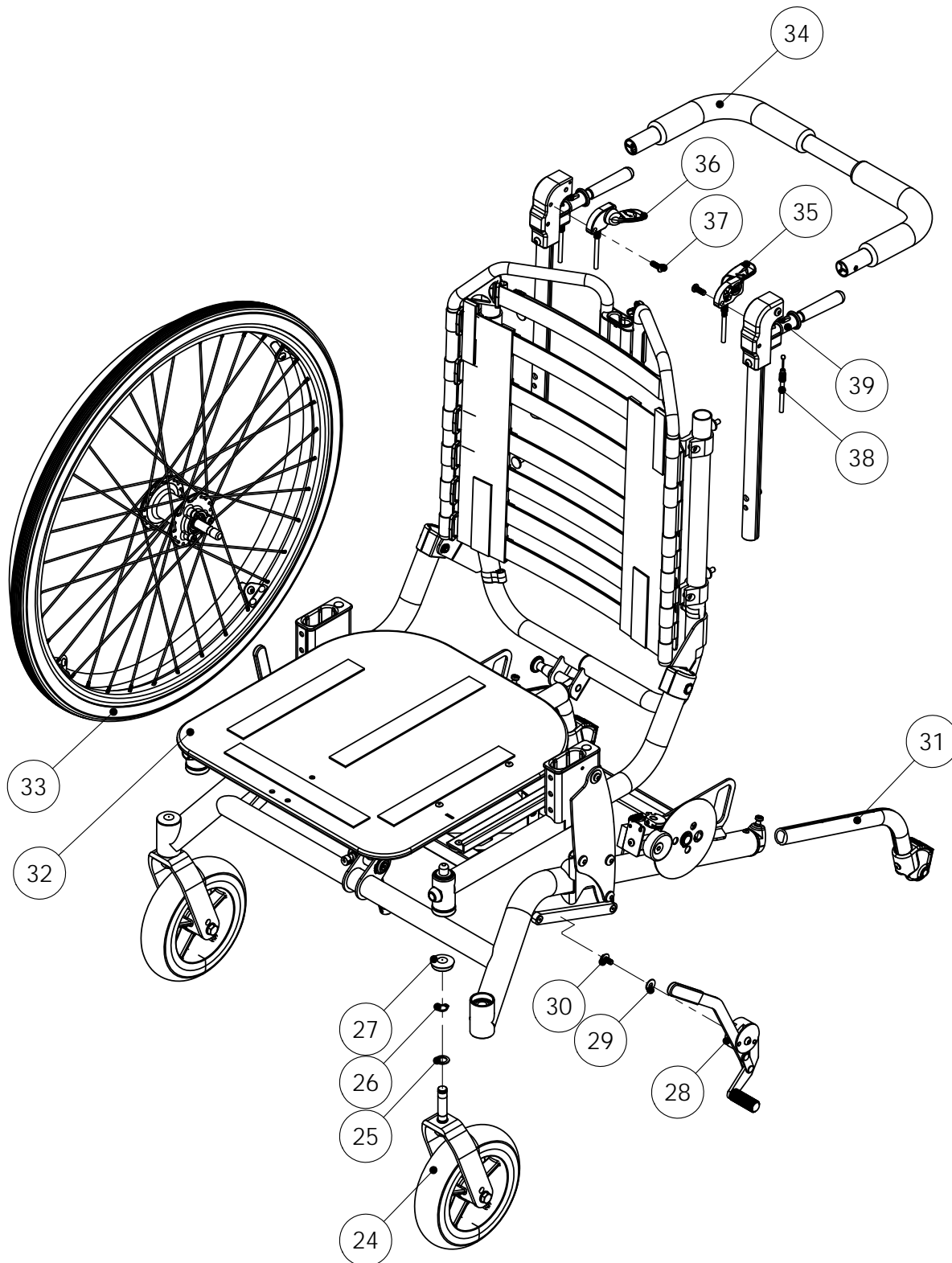
rev. 2016-01-05

Pos.	Art.no.	Description	Incl.
24		CASTOR	see page A3.1
25	81665	WASHER PS 12x18x1.2	
26	81735	CIRCLIP SGA 12	
27	82102	COVER PLUG wheel	
28		USER BRAKES	see page A7.1
29		WASHER 6.4x18x1.6	see page A7.1
30		SCREW M6SF M6x12 FZB	see page A7.1
31		ANTITIP Device	see page A5.1
32		SEAT PLATE cpl	see page B2.1
33		WHEEL 24"	see page A4.1
		WHEEL 20"	see page A4.1
		WHEEL 16"	see page A4.2
34		PUSH BAR	see page C3.1
35		WIRE CONTROL Back	see page C5.1
36		WIRE CONTROL Tilt	see page C5.1
37	81294	SCREW K6S M6x16 FZB	
38	82445	WIRE SET Brake	
39		SIDE UNIT	see page C4.1



Sammanställning sida 2

Denna ritning får ej kopieras eller överlåtas utan tillstånd av HD Rehab AB



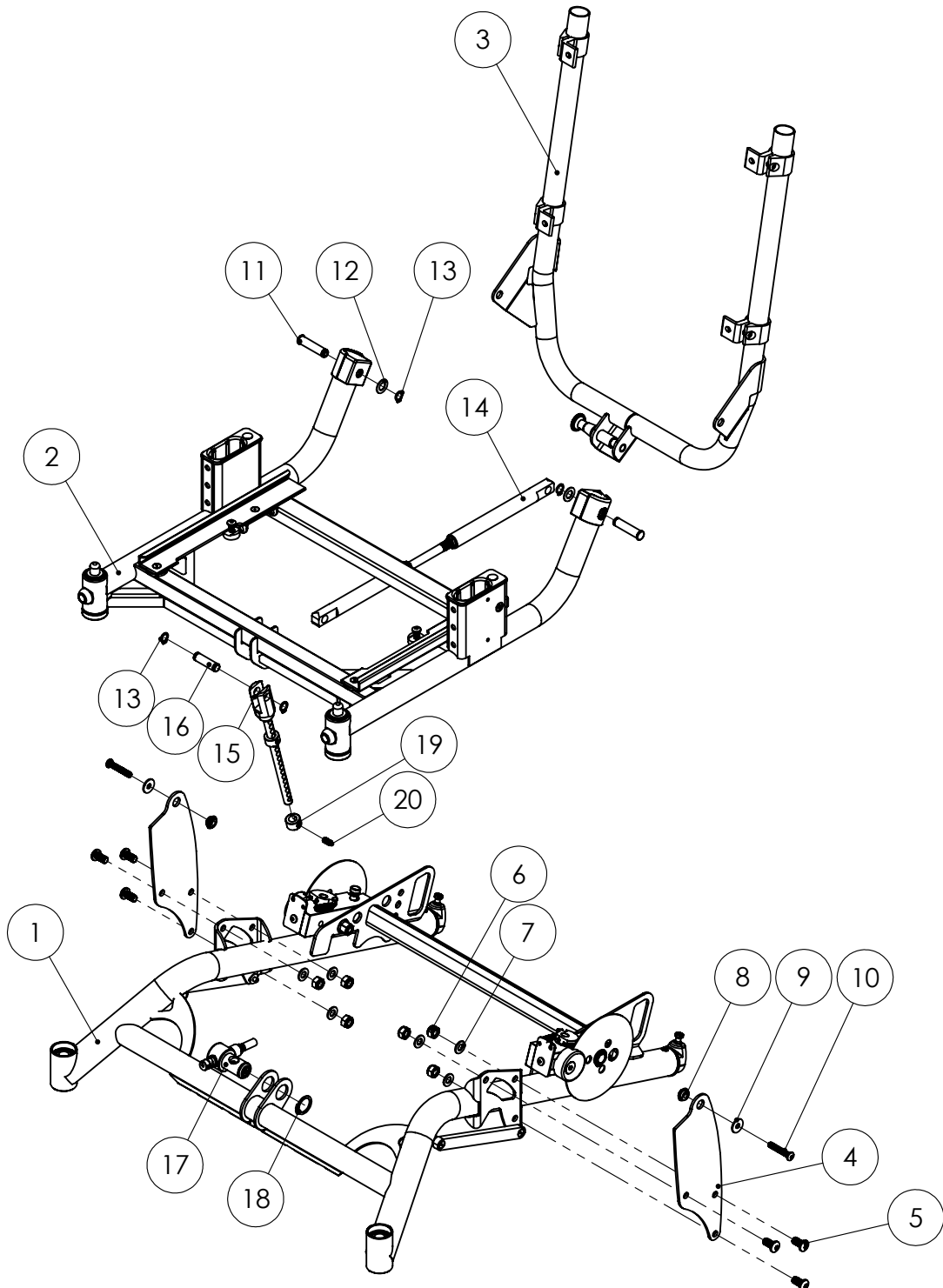
**Spare parts****HD Balance****0.3**Refers to exploded view: **Overveiw Chassi page 1**  
0.3 - rev. B

rev. 2018-02-26

Pos.	Art.no.	Description	Incl.
1		WHEEL FRAME 24 Reinforced	see page A1.1
		WHEEL FRAME 16 Reinforced	see page A1.1
2		SEAT FRAME Reinforced	see page A1.1
3		BACK FRAME Reinforced	see page A1.1
4		TILT PLATE	see page A9.1
5	81350	SCREW K6S M8x16 SV	
6	81523	LOCKING NUT M8 FZ	
7	81603	WASHER BRB8,4X16X1.5	
8	67061	WASHER Tilt Plate	
9	81655	WACHER M6 6.4x18x1.6 DIN 9021 Black	
10	81344	SCREW K6S M6x35 SV.	
11	62192	PIN Frame joint	
12	81615	WASHER 10,2x18x1 FZB	
13	81731	CIRCLIP SGA 10	
14		FIXED BACK BAR angle adjustable	see page B3.2
15		TILT BAR	see page A6.1
16		PIN Gas spring	see page A6.1
17		TILT LOCK	see page A6.1
18		CIRCLIP SGA 20	see page A6.1
19		STOP RING Tilt bar	see page A6.1
20	81325	SCREW P6SS M6x12	

Sammanställning Rullstolschassie sida 1

Denna ritning får ej kopieras eller överlätas utan tillstånd av HD Rehab AB



**Spare parts****HD Balance****0.4**Refers to exploded view: **Overveiw Chassi page 2**

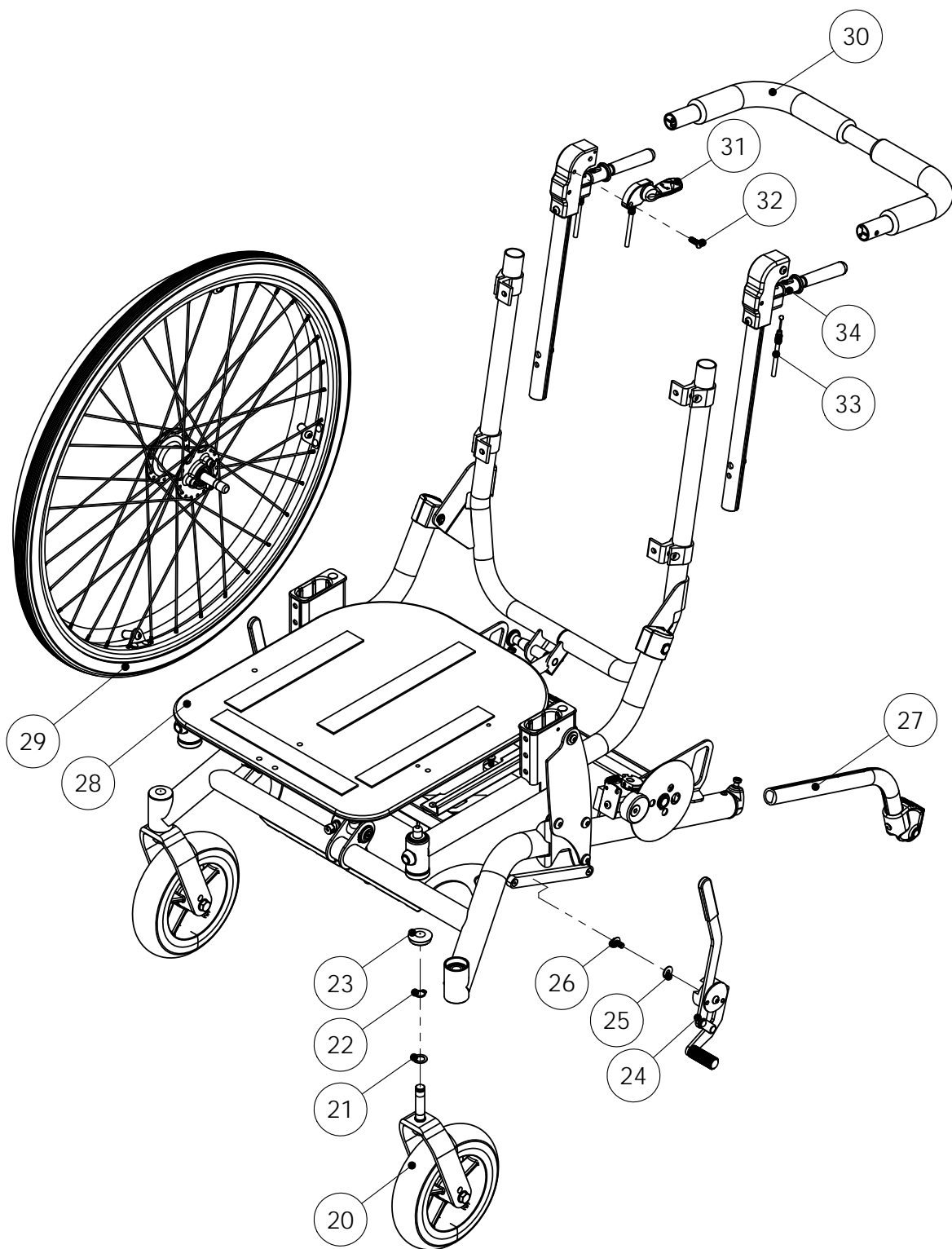
0.4 - rev. A

rev. 20150830

Pos.	Art.no.	Description	Incl.
20		CASTORS	see page A3.1
21	81665	WASHER PS 12x18x1.2	
22	81735	CIRCLIP SGA 12	
23	82102	COVER PLUG wheel	
24		USER BRAKE	see page A7.1
25		WASHER 6.4x18x1.6	see page A7.1
26		SCREW M6SF M6x12 FZB	see page A7.1
27		ANTITIP DEVICE	see page A5.1
28		SEAT PLATE cpl	see page B2.1
29		WHEEL 24"	see page A4.1
		WHEEL 16"	see page A4.2
30		PUSH BAR	see page C3.1
31		WIRE CONTROL Tilt	see page C5.1
32	81294	SCREW K6S M6x16 FZB	
33	82445	WIRE SET Brake	
34		SIDE UNIT	see page C4.1

Sammanställning Rullstolschassie sida 2

Denna ritning får ej kopieras eller överlätas utan tillstånd av HD Rehab AB



**Spare parts****HD Balance****A1.1**Refers to exploded view: **Wheel Frame 24" cpl**

A1.1 - rev. A

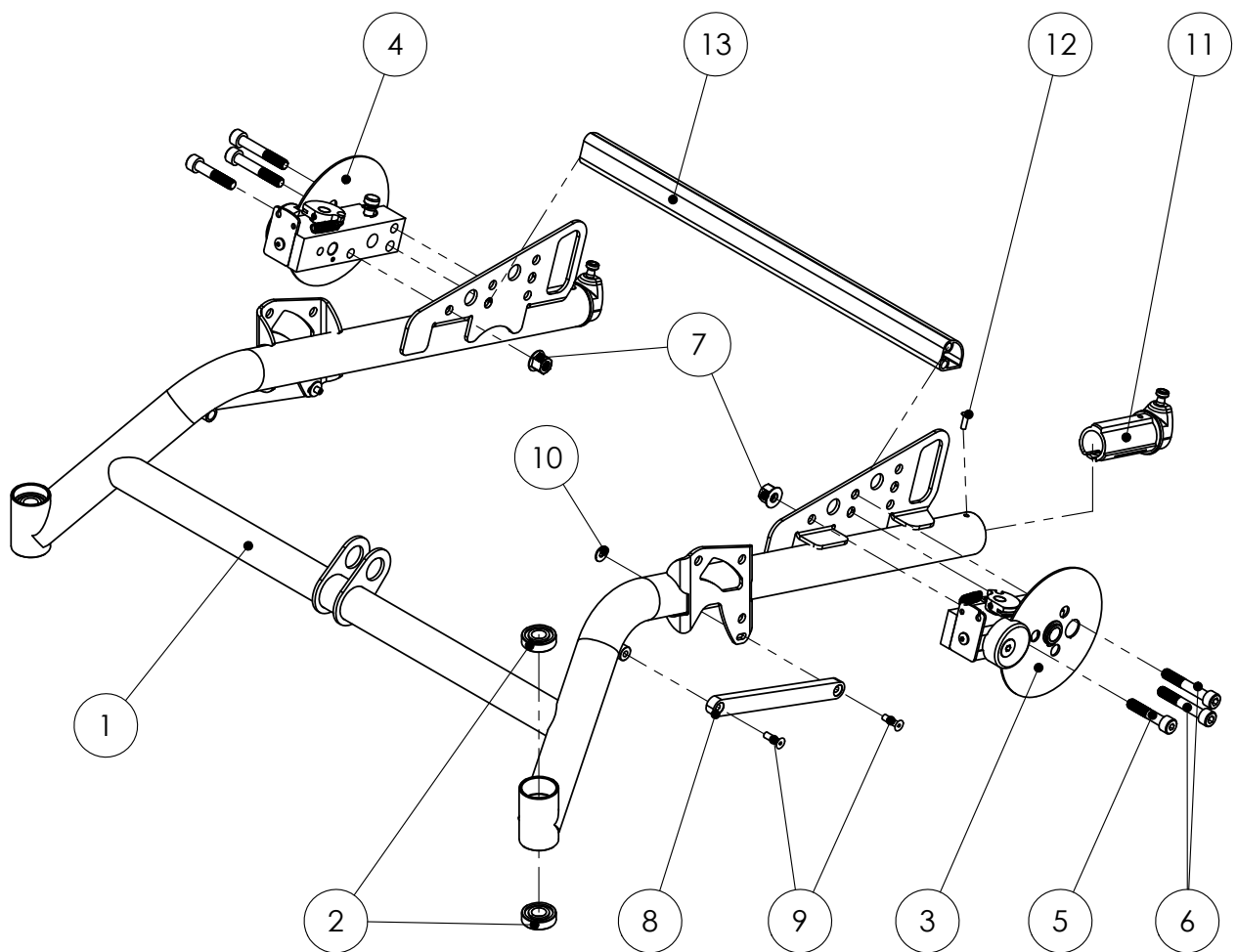
rev. 20110125

Pos.	Art.no.	Description	Incl.
	<b>62500-6</b>	<b>WHEEL FRAME 24 sw38 black cpl</b>	1-13
	<b>63500-6</b>	<b>WHEEL FRAME 24 sw42 black cpl</b>	1-13
	<b>64500-6</b>	<b>WHEEL FRAME 24 sw46 black cpl</b>	1-13
	<b>65500-6</b>	<b>WHEEL FRAME 24 sw50 black cpl</b>	1-13
	<b>62501-6</b>	<b>WHEEL FRAME 24 Reinforced sw38 black cpl *</b>	1-13
	<b>63501-6</b>	<b>WHEEL FRAME 24 Reinforced sw42 black cpl *</b>	1-13
	<b>64501-6</b>	<b>WHEEL FRAME 24 Reinforced sw46 black cpl *</b>	1-13
	<b>65501-6</b>	<b>WHEEL FRAME 24 Reinforced sw50 black cpl *</b>	1-13
1	62510-6	WHEEL FRAME 24" sw38 black	
1	63510-6	WHEEL FRAME 24" sw42 black	
1	64510-6	WHEEL FRAME 24" sw46 black	
1	65510-6	WHEEL FRAME 24" sw50 black	
1	62515-6	WHEEL FRAME 24" Reinforced sw38 black *	
1	63515-6	WHEEL FRAME 24" Reinforced sw42 black *	
1	64515-6	WHEEL FRAME 24" Reinforced sw46 black *	
1	65515-6	WHEEL FRAME 24" Reinforced sw50 black *	
2	82501	BEARING 28x12x8	
3	67210	FASTENING WHEEL Left cpl	see page A 2.1
4	67220	FASTENING WHEEL Right cpl	see page A 2.1
5	81247	SCREW MC6S M8x40 fzb	
6	81395	SCREW MC6S M8x50 fzb	
7	81543	LOCKING NUT DIN 6926 M8 black	
8	67129	BRAKE BAR	
9	81448	BLIND RIVET 4,8x21x120	
10	81630	WASHER NB 5x13x1	
11	62530	GUIDE ANTITIP DEVICE	see page A 8.1
12	81444	BLIND RIVET 4.0x8 Al	
13	62541	CROSS BAR sw38 Alum.	
	63541	CROSS BAR sw42 Alum.	
	64541	CROSS BAR sw46 Alum.	
	65541	CROSS BAR sw50 Alum.	

\* For more info about reinforced frames please see info sheet 95946-1 Configurations for Severe Loading

Hjulram 24" kpl

Denna ritning får ej kopieras eller överlämnas utan tillstånd av HD Rehab AB



**Spare parts****HD Balance****A1.2**Refers to exploded view: **Wheel frame 16" cpl**

A1.2 - rev. A

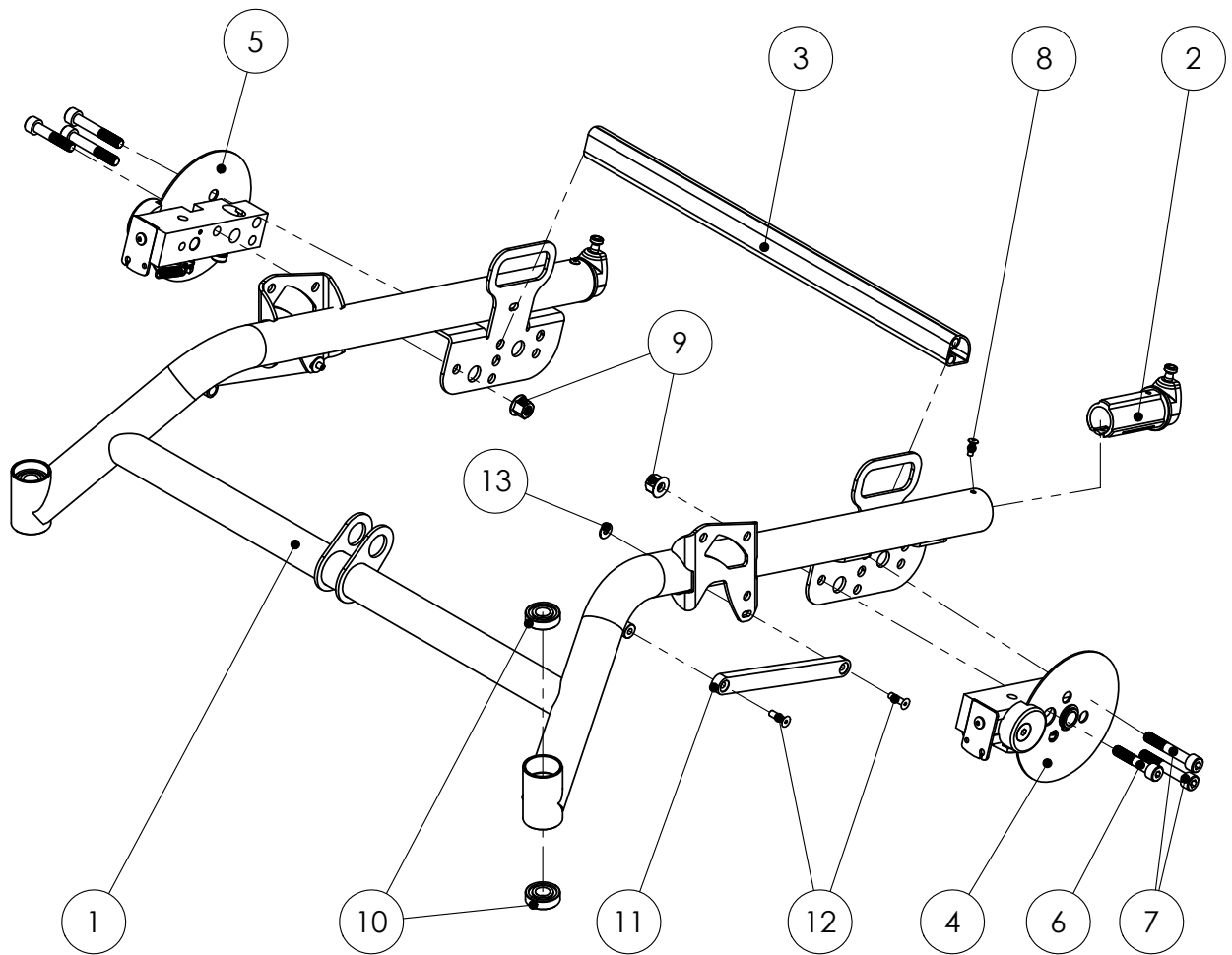
rev. 20110125

Pos.	Art.no.	Description	Incl.
	<b>62600-6</b>	<b>WHEEL FRAME 16" sw38 black cpl</b>	1-10
	<b>63600-6</b>	<b>WHEEL FRAME 16" sw42 black cpl</b>	1-10
	<b>64600-6</b>	<b>WHEEL FRAME 16" sw46 black cpl</b>	1-10
	<b>65600-6</b>	<b>WHEEL FRAME 16" sw50 black cpl</b>	1-10
	<b>62601-6</b>	<b>WHEEL FRAME 16" Reinforced sw38 black cpl *</b>	
	<b>63601-6</b>	<b>WHEEL FRAME 16" Reinforced sw42 black cpl *</b>	
	<b>64601-6</b>	<b>WHEEL FRAME 16" Reinforced sw46 black cpl *</b>	
	<b>65601-6</b>	<b>WHEEL FRAME 16" Reinforced sw50 black cpl *</b>	
1	62610-6	WHEEL FRAME 16" sw38 Black	
1	63610-6	WHEEL FRAME 16" sw42 Black	
1	64610-6	WHEEL FRAME 16" sw46 Black	
1	65610-6	WHEEL FRAME 16" sw50 Black	
	62615-6	WHEEL FRAME 16" Reinforced sw38 Black *	
	63615-6	WHEEL FRAME 16" Reinforced sw42 Black *	
	64615-6	WHEEL FRAME 16" Reinforced sw46 Black *	
	65615-6	WHEEL FRAME 16" Reinforced sw50 Black *	
2	62530	GUIDE antitip device	see page A 8.1
3	62541	CROSS BAR sw38 Alu HD Balance	
3	63541	CROSS BAR sw42 Alu HD Balance	
3	64541	CROSS BAR sw46 Alu HD Balance	
3	65541	CROSS BAR sw50 Alu HD Balance	
4	67210	FASTENING Wheel Left cpl	see page A 2.1
5	67220	FASTENING Wheel Right cpl	see page A 2.1
6	81247	SCREW MC6S M8x40 fzb	
7	81395	SCREW MC6S M8x50 fzb	
8	81444	BLIND RIVET 4.0x8 Aluminium	
9	81543	LOCKING NUT DIN 6926 M8 black	
10	82501	BEARING 28x12x8	
11	67129	BRAKE BAR 24"	
12	81443	BLIND RIVET 4,8x17x120	
13	81630	WASHER NB 5x13x1	
		* For more information about our reinforced frames please see info sheet 95946-1 Configurations for Severe Loading	



Hjulram 16" kpl

Denna ritning får ej kopieras eller överlämnas utan tillstånd av HD Rehab AB



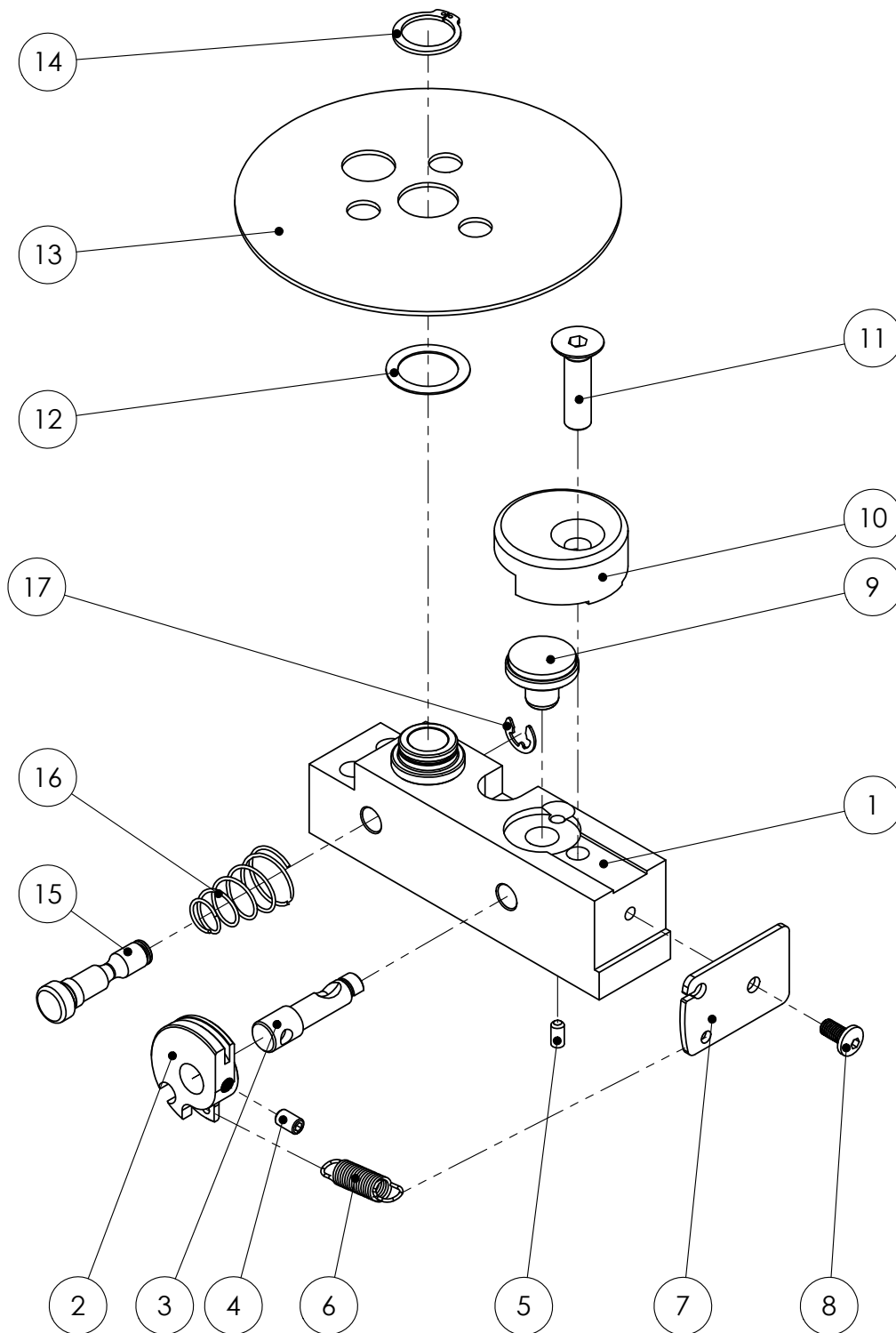
**Spare parts****HD Balance****A2.1**Refers to exploded view: Wheel fastening disc brake cpl  
A2.1 - rev. A

rev. 20150830

Pos.	Art.no.	Description	Incl.
	67210	FASTENING Wheel Left with disc brake	1-17
	67220	FASTENING Wheel Right with disc brake	1-17
1	67211-5	FASTENING Wheel left with bushing	
1	67212-5	FASTENING Wheel right with bushing	
	67231	PIN Left	2-4
	67232	PIN Right	2-4
2		BRAKE Segment left	
2		BRAKE Segment right	
3		PIN disc brake left	
3		PIN disc brake right	
4	81310	SCREW SK 6SS 5x8	
5	81318	SCREW P6SS 4x8	
6	81863	SPRING	
7	67219	PLATE Wire	
8	81342	SCREW K6S M5x10	
9	16523	PISTON	
10	70224	BLOCK	
11	81223	SCREW F6S M8x30	
12	81644	WASHER PA brake	
13	67216	BRAKE Disc	
14	81736	CIRCLIP SGA 17	
15	67227	PIN Axle	
16	81859	SPRING	
17	81715	CIRCLIP RS-6	

Hjulfäste skivbroms kpl

Denna ritning får ej kopieras eller överlämnas utan tillstånd av HD Rehab AB



**Spare parts****HD Balance****A2.2**

Refers to exploded view

Hjulfäste enkel kpl

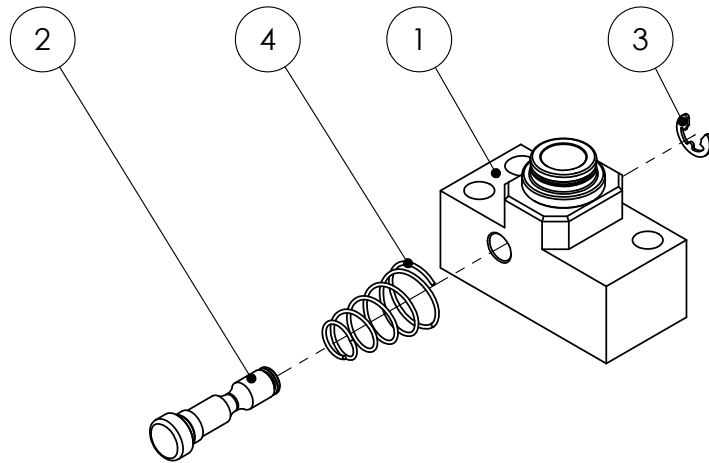
A2.2 - rev. A

rev. 20150830

Pos.	Art.no.	Description	Incl.
	67245	WHEEL Fastening Simple cpl Left	1-4
	67240	WHEEL Fastening Simple cpl Right	1-4
1		WHEEL Fastening Simple with bushing left	
1		WHEEL Fastening Simple with bushing right	
2		PIN Axle	
3		CIRCLIP RS-6	
4		SPRING	

Hjulfäste enkel kpl

Denna ritning får ej kopieras eller överlämnas utan tillstånd av HD Rehab AB



**Spare parts****HD Balance****A3.1**Refers to exploded view: **Castors**

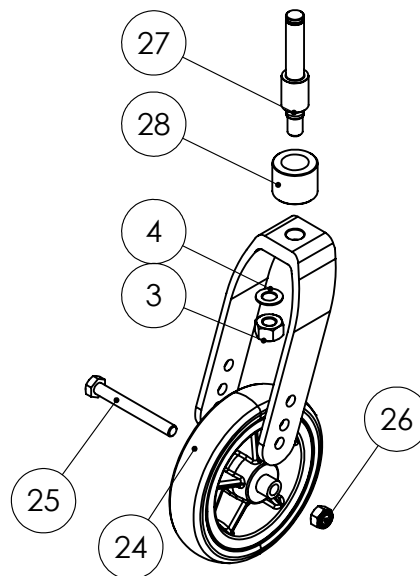
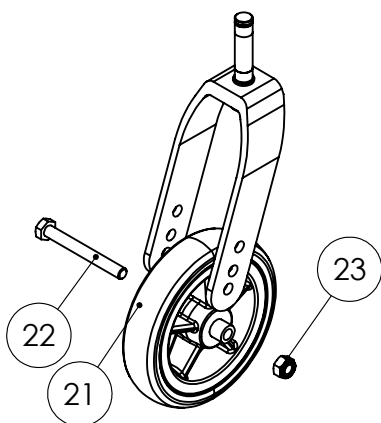
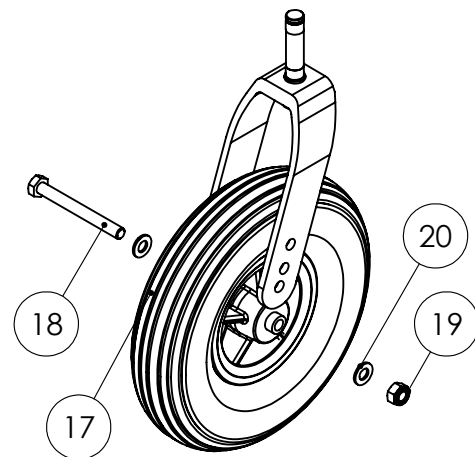
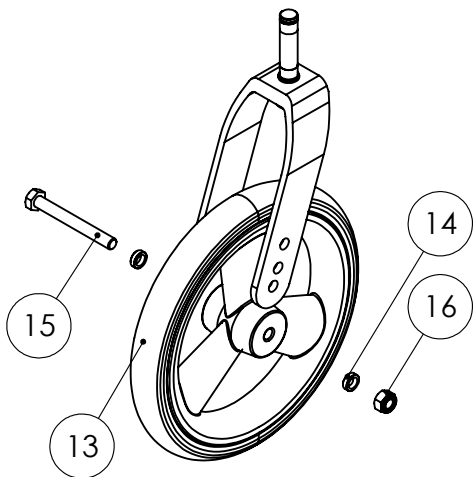
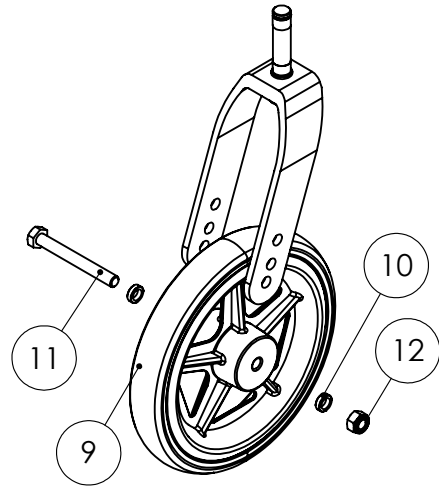
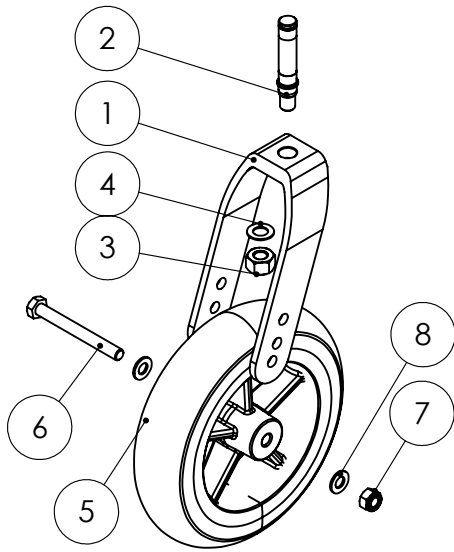
A3.1 - rev. C

rev. 2018-02-26

Pos.	Art.no.	Description	Incl.
1		PIN Fork	
2		FORK C, Castor 175-200 53mm	
3		LOCKING NUT M10 FZB	
4		WASHER 10,2x18x1 FZB	
	<b>67310</b>	<b>CASTOR 175x43 Pur cpl with fork</b>	5-8
	67320	FORK Castor cpl 175-200 53mm	1-4
5	67331	FRONT CASTOR 175x43 Pur boss 53mm	
6	81255	SCREW M6S M8x75 FZB	
7	81523	LOCKING NUT M8 FZB	
8	81603	WASHER BRB8,4x16x1,5	
	<b>67316</b>	<b>CASTOR 175x28 cpl with fork</b>	9-12
	67320	FORK Castor cpl 175-200 53mm	1-4
9	67336	FRONT CASTOR 175x28 boss 46mm	
10	67336-9	SPACER 12x3,5	
11	81208	SCREW M6S M8x70	
12	81523	LOCKING NUT M8 FZB	
	<b>67317</b>	<b>CASTOR 200x28 cpl with fork</b>	13-16
	67320	FORK Castor cpl 175-200 53mm	1-4
13	67337	FRONT CASTOR 200x28 boss 46mm	
14	67336-9	SPACER 12x3,5	
15	81208	SCREW M6S M8x70	
16	81523	LOCKING NUT M8 FZB	
	<b>67314</b>	<b>CASTOR 200x50 Flexel cpl with fork</b>	17-20
	67320	FORK Castor cpl 175-200 53mm	1-4
17	67338	FRONT CASTOR 200x50 Flexel boss 53mm	
18	81255	SCREW M6S M8x75 FZB	
19	81523	LOCKING NUT M8 FZB	
20	81603	WASHER BRB8,4x16x1,5	
	<b>67315</b>	<b>CASTOR 125x27 cpl with fork</b>	21-23
	67320	FORK Castor cpl 175-200 53mm	1-4
21	67334	FRONT CASTOR 5", 125x27mm boss 53mm	
22	81208	SCREW M6S M8x70	
23	81523	LOCKING NUT M8 FZB	
	<b>67318</b>	<b>CASTOR 125x27 cpl with extended fork</b>	24-27
	67323	FORK Castor Extended cpl 125-53mm	2-4 & 27-28
24	67334	FRONT CASTOR 5" , 125x27mm boss53mm	
25	81208	SCREW M6S M8x70	
26	81523	LOCKING NUT M8 FZB	
27	67323-5	PIN FORK Extended	
28	67323-6	SPACER for extended fork	

Länkhjul

Denna ritning får ej kopieras eller överlåtas utan tillstånd av HD Rehab AB



**Spare parts****HD Balance****A4.1**

Refers to exploded view: Wheel 24" &amp; 20" 6p

A4.1 - rev. A

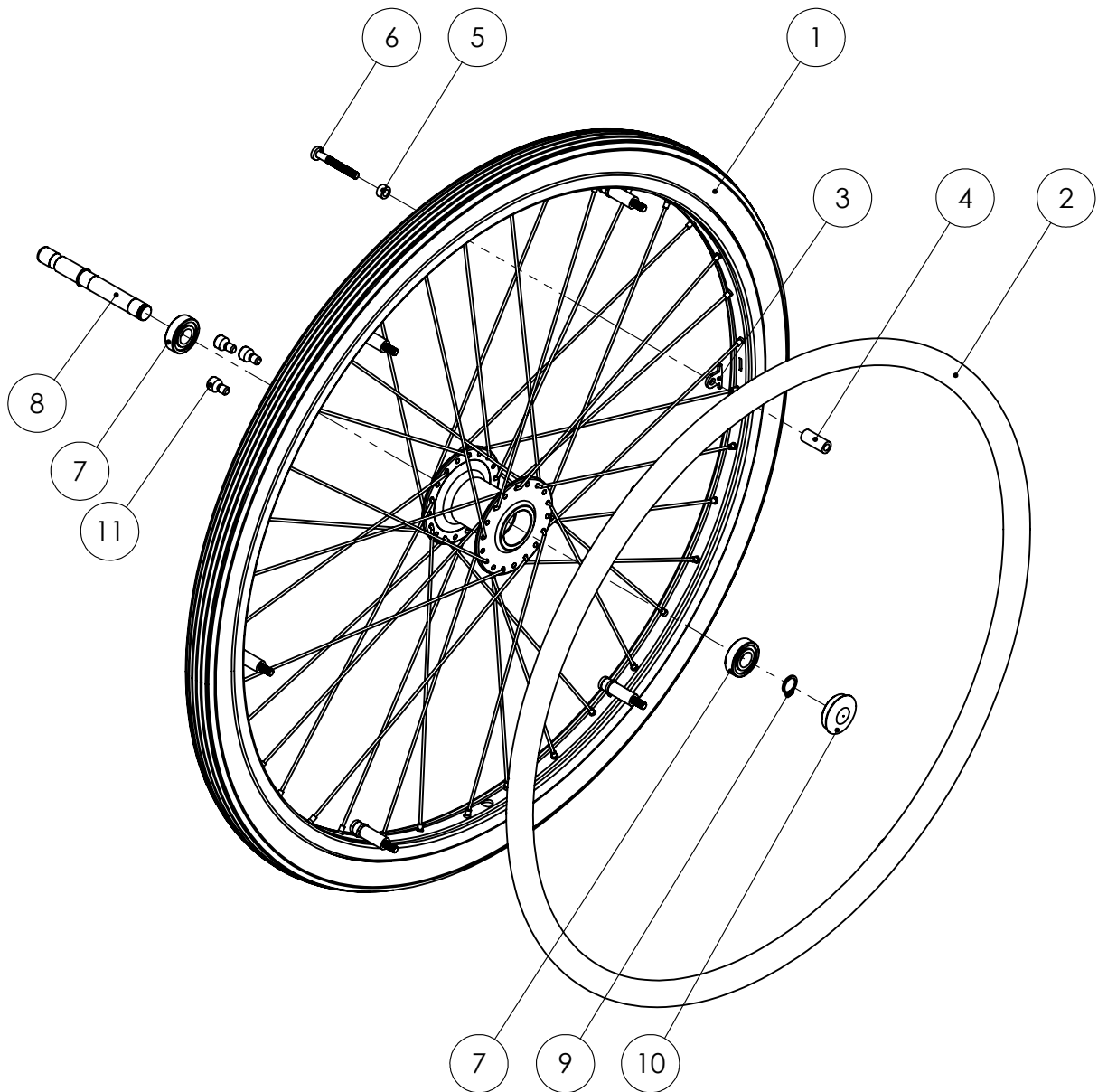
rev. 2018-07-04

Pos.	Art.no.	Description	Incl.
	<b>67505-1</b>	<b>WHEEL 24" PUR-AL handrim aluminium 6p</b>	1-11
	<b>67505-2</b>	<b>WHEEL 24" PUR-RF handrim stainless 6p</b>	1-11
	<b>67505-3</b>	<b>WHEEL 24" PUR-PL handrim polymer 6p</b>	1-11
	<b>67506-1</b>	<b>WHEEL 24" FLEXEL-AL handrim aluminium 6p</b>	1-11
	<b>67506-2</b>	<b>WHEEL 24" FLEXEL-AL handrim stainless 6p</b>	1-11
	<b>67506-3</b>	<b>WHEEL 24" FLEXEL-AL handrim polymer 6p</b>	1-11
	<b>67507-1</b>	<b>WHEEL 24" AIR-AL handrim aluminium 6p</b>	1-11
	<b>67507-2</b>	<b>WHEEL 24" AIR-RF handrim stainless 6p</b>	1-11
	<b>67507-3</b>	<b>WHEEL 24" AIR-PL handrim polymer 6p</b>	1-11
	<b>67515-1</b>	<b>WHEEL 20" PUR-AL handrim aluminium</b>	1-11
	<b>67515-2</b>	<b>WHEEL 20" PUR-RF handrim stainless</b>	1-11
	<b>67515-3</b>	<b>WHEEL 20" PUR-PL handrim polymer</b>	1-11
	<b>67516-1</b>	<b>WHEEL 20" FLEXEL-AL handrim aluminium</b>	1-11
	<b>67516-2</b>	<b>WHEEL 20" FLEXEL-RF handrim stainless</b>	1-11
	<b>67516-3</b>	<b>WHEEL 20" FLEXEL-PL handrim polymer</b>	1-11
	<b>67517-1</b>	<b>WHEEL 20" AIR-AL handrim aluminium</b>	1-11
	<b>67517-2</b>	<b>WHEEL 20" AIR-RF handrim stainless</b>	1-11
	<b>67517-3</b>	<b>WHEEL 20" AIR-PL handrim polymer</b>	1-11
1	85149	TYRE 24" PUR	
1	85159	TYRE 20" PUR	
1	85181	TYRE 24" (for Flexel)	
1	85182	TYRE 20" (for Flexel)	
1	15453	TYRE 24" (for Air)	
1	85170	TYRE 20" (for Air)	
1	85178	TUBE 24"	
1	85179	TUBE 20"	
1	15462	TUBE 24"x1 3/8 valve	
1	85174	TUBE 20" valve	
2	15491	HANDRIM 24" aluminium 6p	
2	15591	HANDRIM 20" aluminium 6p	
2	15492	HANDRIM 24" stainless 6p	
2	15592	HANDRIM 20" stainless 6p	
2	15446	HANDRIM 24" polymer 6p	
2	15593	HANDRIM 20" polymer 6p	
3		PUSHRIM FIXING CLIPS	
4	15441-6	SPACER long 10x22	
5	15441-7	SPACER short 10x5	
6	81108	SCREW MRX 5x40 fzb	
7	82501	BEARING 28x12x8	
8	67541	AXLE 24"	
9	81735	CIRCLIP SGA 12	
10	82102	COVER PLUG wheel	
11		PIN for 20 & 24	
	<b>15499-1</b>	<b>ADAPTER HANDRIMS Shorter distance, 1 wheel</b>	12-13
	<b>15499-2</b>	<b>ADAPTER HANDRIMS Shorter distance, 2 wheels</b>	12-13
12		SCREW MRX 5x25 fzb	
13		SPACER 10x8x5,2 PE Black	



Drivhjul 24" och 20" 6-punkt

Denna ritning får ej kopieras eller överlätas utan tillstånd av HD Rehab AB



**Spare parts****HD Balance****A4.2**Refers to exploded view: **Wheel 16"**

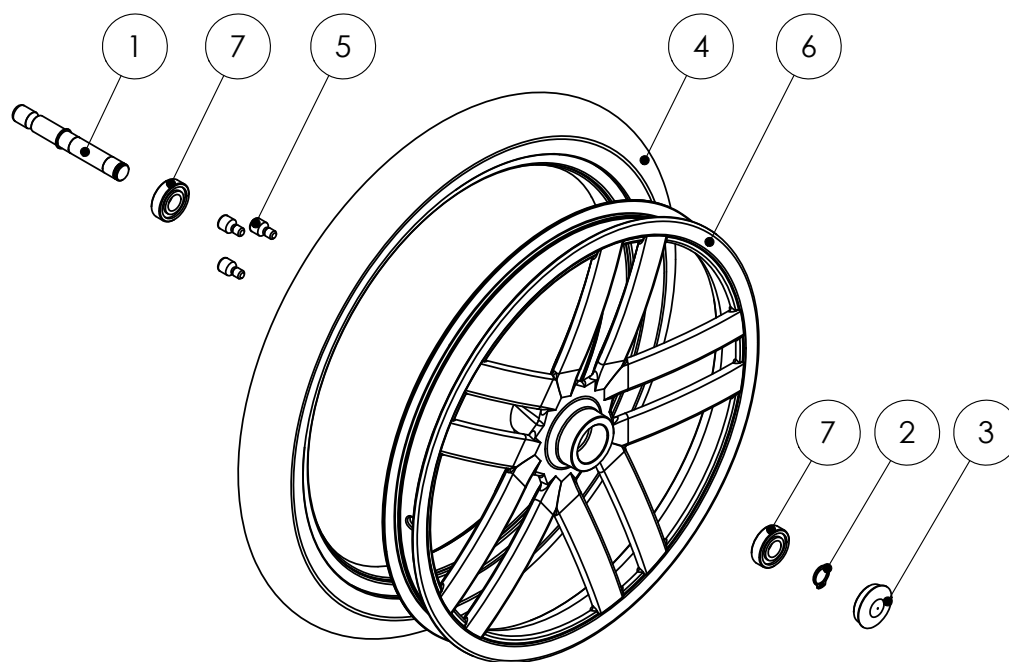
A4.2 - rev. B

rev. 2015-08-30

Pos.	Art.no.	Description	Incl.
	<b>67551-1</b>	<b>WHEEL 16" PUR with axle</b>	1-7
	<b>67552-1</b>	<b>WHEEL 16" FLEXEL with axle</b>	1-7
	<b>67553-1</b>	<b>WHEEL 16" AIR with axle</b>	1-7
		WHEEL 16" PUR	4-7
		WHEEL 16" FLEXEL	4-7
		WHEEL 16" AIR	4-7
1	67581	AXLE 16"	
2	81735	CIRCLIP SGA 12	
3	82102	COVER PLUG wheel	
		RIM 16" with bearing	6-7
4	85166	TYRE 16" PUR	
4	15652	TYRE 16" IA 2601 16x1.75 (47-305) (till flexel)	
4	85161	TUBE 16" Flexel	
4	15651	TYRE 16" IA 2603 (for air)	
4	15661	TUBE 16" valve	
5		PIN 12"	
6		RIM 16" black	
7	82501	BEARING 28x12x8	

Drivhjul 16"

Denna ritning får ej kopieras eller överlämnas utan tillstånd av HD Rehab AB



**Spare parts****HD Balance****A4.3**

Refers to exploded view: Wheel 24" och 20"

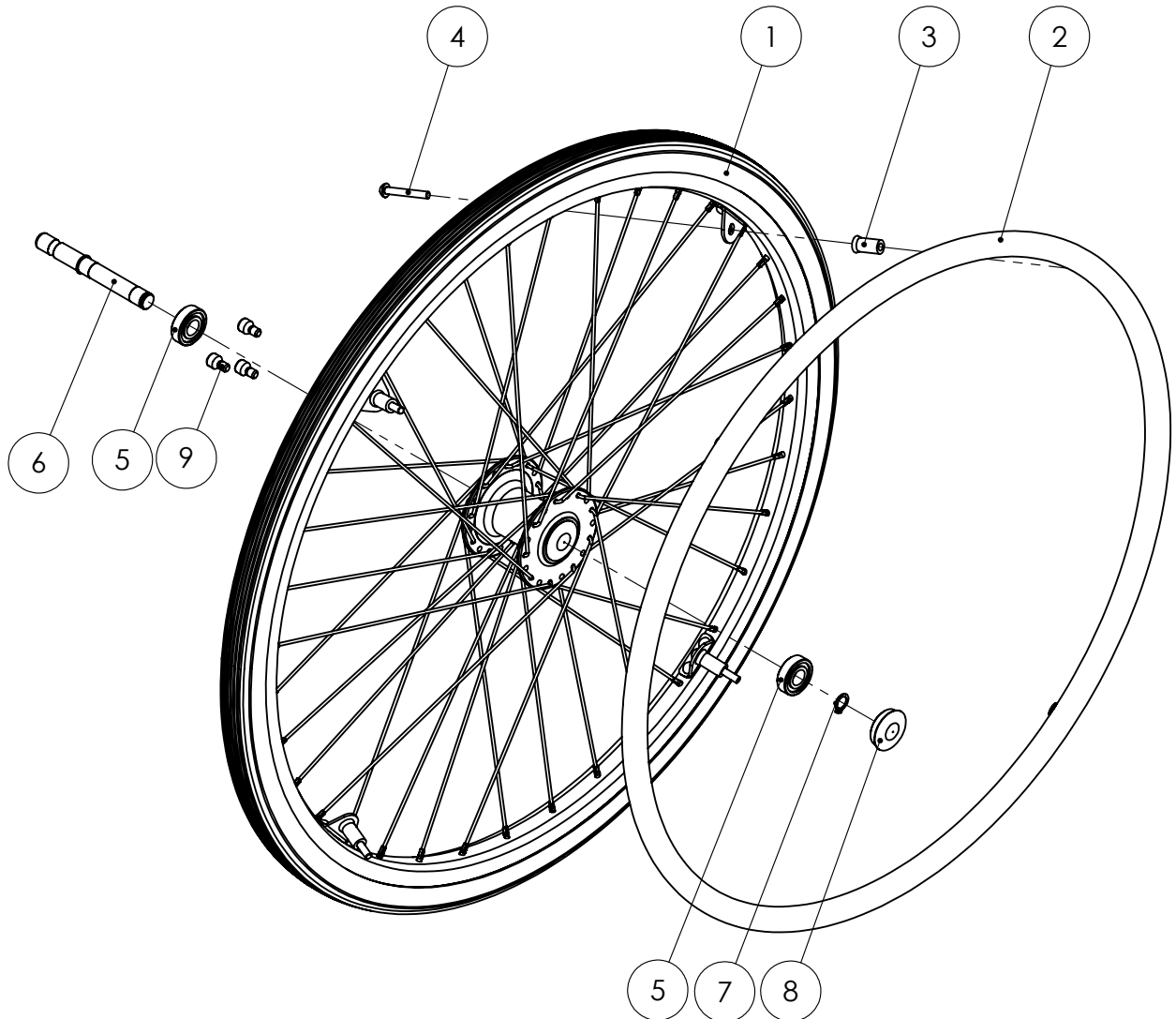
A4.1 - rev. A

rev. 2016-01-05

Pos.	Art.no.	Description	Incl.
	<b>67501-1</b>	<b>WHEEL 24" PUR-AL handrim aluminium</b>	1-9
	<b>67501-2</b>	<b>WHEEL 24" PUR-RF handrim stainless</b>	1-9
	<b>67501-3</b>	<b>WHEEL 24" PUR-PL handrim polymer</b>	1-9
	<b>67502-1</b>	<b>WHEEL 24" FLEXEL-AL handrim aluminium</b>	1-9
	<b>67502-2</b>	<b>WHEEL 24" FLEXEL-RF handrim stainless</b>	1-9
	<b>67502-3</b>	<b>WHEEL 24" FLEXEL-PL handrim polymer</b>	1-9
	<b>67503-1</b>	<b>WHEEL 24" AIR-AL handrim aluminium</b>	1-9
	<b>67503-2</b>	<b>WHEEL 24" AIR-RF handrim stainless</b>	1-9
	<b>67503-3</b>	<b>WHEEL 24" AIR-PL handrim polymer</b>	1-9
	<b>67521-1</b>	<b>WHEEL 20" PUR-AL handrim aluminium</b>	1-9
	<b>67521-2</b>	<b>WHEEL 20" PUR-RF handrim stainless</b>	1-9
	<b>67521-3</b>	<b>WHEEL 20" PUR-PL handrim polymer</b>	1-9
	<b>67522-1</b>	<b>WHEEL 20" FLEXEL-AL handrim aluminium</b>	1-9
	<b>67522-2</b>	<b>WHEEL 20" FLEXEL-RF handrim stainless</b>	1-9
	<b>67522-3</b>	<b>WHEEL 20" FLEXEL-PL handrim polymer</b>	1-9
	<b>67523-1</b>	<b>WHEEL 20" AIR-AL handrim aluminium</b>	1-9
	<b>67523-2</b>	<b>WHEEL 20" AIR-RF handrim stainless</b>	1-9
	<b>67523-3</b>	<b>WHEEL 20" AIR-PL handrim polymer</b>	1-9
1	85146	TYRE 24" PUR	
1	85156	TYRE 20" PUR	
1	85171	TYRE 24x1 TYRE 20x1	
1		TUBE 24x1 Flexel	
1		TUBE 20x1 Flexel	
1	85173	TUBE 24x1 valve	
1	85174	TUBE 20x1 valve	
2	15442	HANDRIM 24" Aluminium	
2	15542	HANDRIM 20" Aluminium	
2	15443	HANDRIM 24" Stainless	
2	15543	HANDRIM 20" Stainless	
2	15446	HANDRIM 24" Polymer	
2	15546	HANDRIM 20" Polymer	
3	15442-9	SPACER handrim	
4	81159	SCREW MTX M5x35 stainless A2 TORX	
5	82501	BEARING 28x12x8	
6	67541	AXLE 24"	
7	81735	CIRCLIP SGA 12	
8	82102	COVER PLUG wheel	
9		PIN 24"	

## Drivhjul 24" och 20" 4-punkt (Utgått)

Denna ritning får ej kopieras eller överlämnas utan tillstånd av HD Rehab AB



**Spare parts****HD Balance****A5.1**

Refers to exploded view: Antitip device

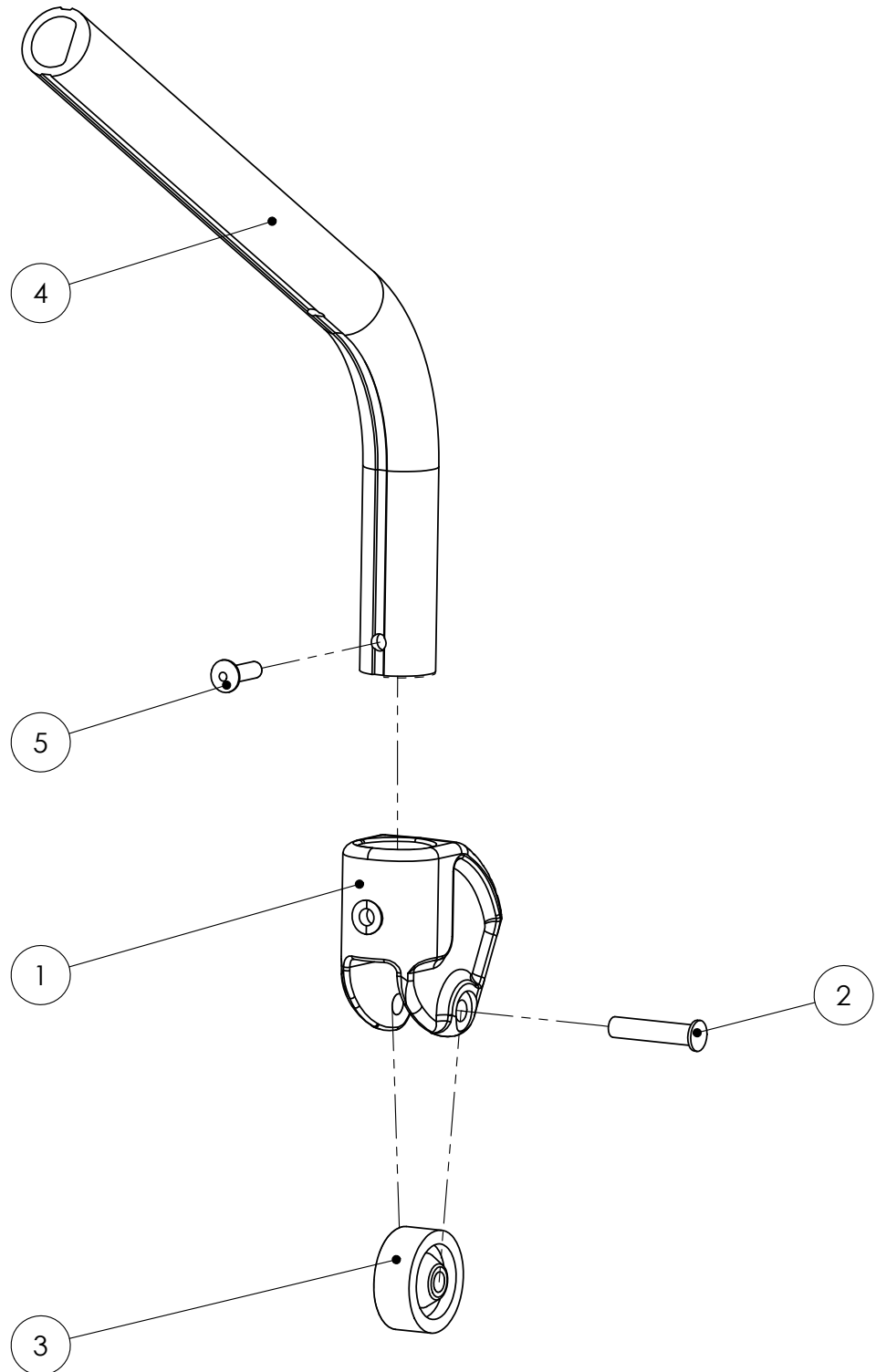
A5.1 - rev. A

rev. 20110125

Pos.	Art.no.	Description	Incl.
	<b>62681</b>	<b>ANTITIP DEVICE 16" std</b>	1-5
	<b>62582</b>	<b>ANTITIP DEVICE 20" std</b>	1-5
	<b>62581</b>	<b>ANTITIP DEVICE 24" std</b>	1-5
		BLOCK cpl with roll	1-3
1		BLOCK	
2		TUBULAR Rivet KHN 6x28 fzb	
3		ROLL	
4		BEND Antitip device 16" Al.	
4		BEND Antitip device 20" Al.	
4		BEND Antitip device 24" Al	
5		BLIND Rivet 4,8x16ST/S	

Tippskydd

Denna ritning får ej kopieras eller överlätas utan tillstånd av HD Rehab AB



**Spare parts****HD Balance****A6.1**Refers to exploded view: **Tilt Lock cpl with tilt bar**  
A6.1 - rev. B

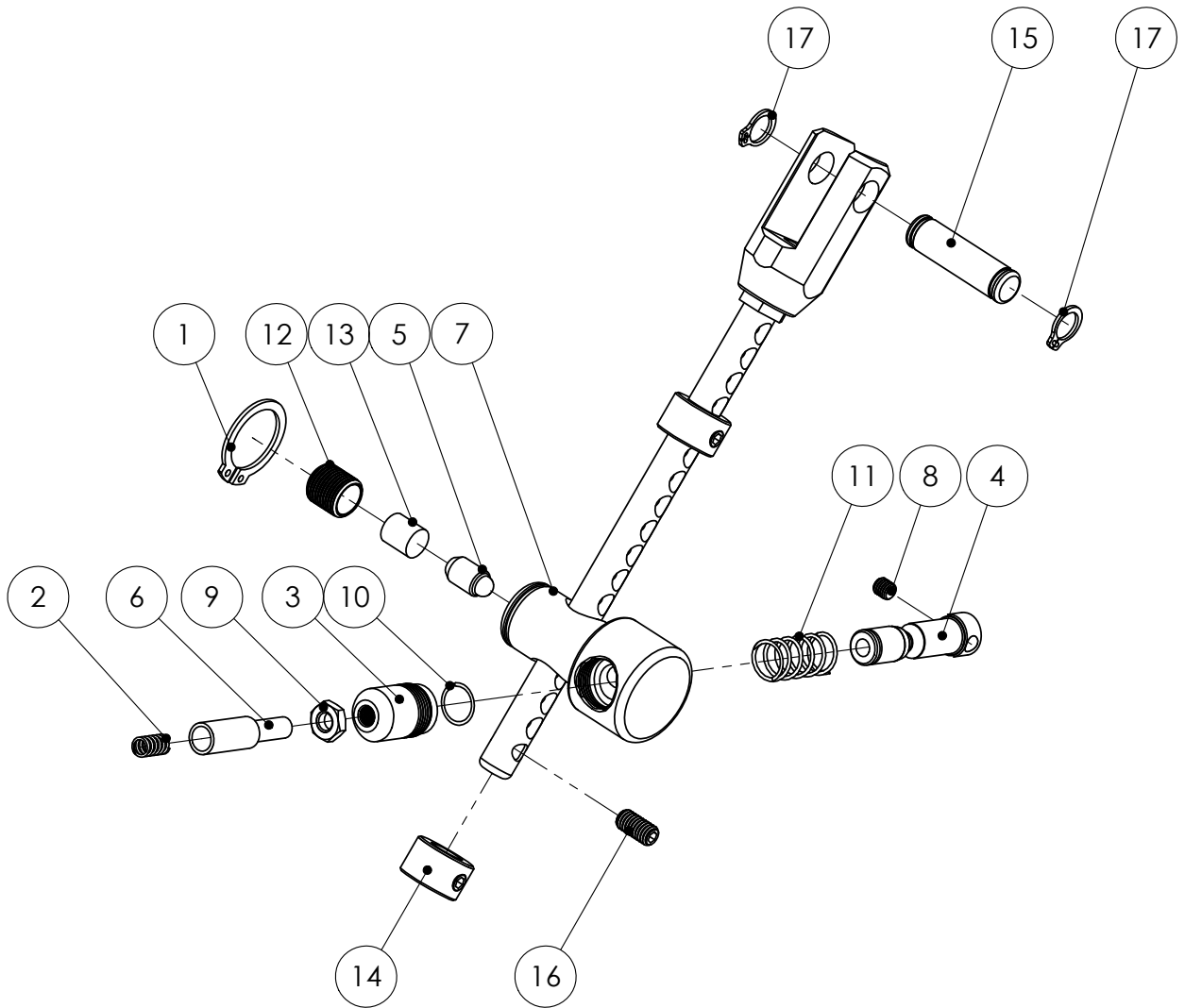
rev. 2016-01-05

Pos.	Art.no.	Description	Incl.
	<b>67812-1</b>	<b>TILT LOCK unit excl. tilt bar</b>	1-13
		TILT LOCK	2-13
1	81732	CIRCLIP SGA 20	
2	81874	SPRING	
3		HOUSING	
4		PIN Tilt lock	
	11025-1	SCREW Bushing cpl	12-13
5		KULTAPP	
6	11029-5	ADJUSTING SCREW tilt lock unit	
7		HOLDER Tilt lock	
8	81312	SCREW P6SS M5x5	
9	81515	NUT ML6M M6 FZB	
10		CIRCLIP RW 10	
11		SPRING	
12		SCREW Bushing	
13		BRAKE Pad	
	<b>67810</b>	<b>TILT LOCK unit with tilt bar standard</b>	1-17
	<b>67815</b>	<b>TILT LOCK unit with tilt bar extended</b>	1-17
14	11038	STOP RING	
15	11039	PIN Gas spring	
		TILT LOCK	2-13
		TILT BAR with stop ring standard	See page A6.2
		TILT BAR with stop ring extended	See page A6.2
16	81325	SCREW P6SS M6x12	
17	81731	CIRCLIP SGA 10	



Tipplås med tippstång

Denna ritning får ej kopieras eller överlåtas utan tillstånd av HD Rehab AB



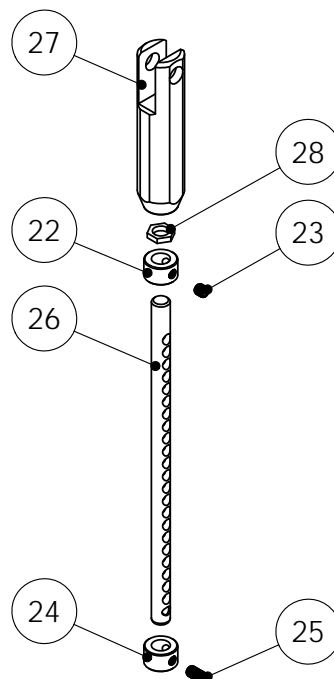
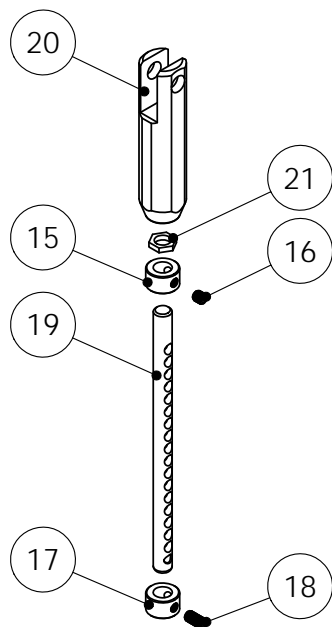
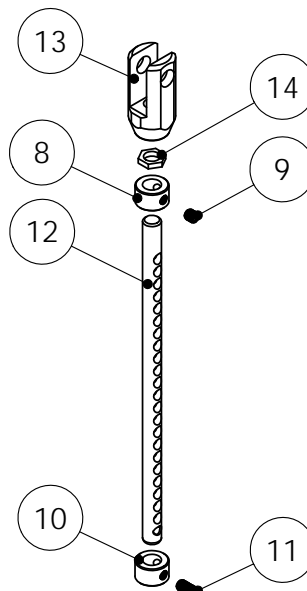
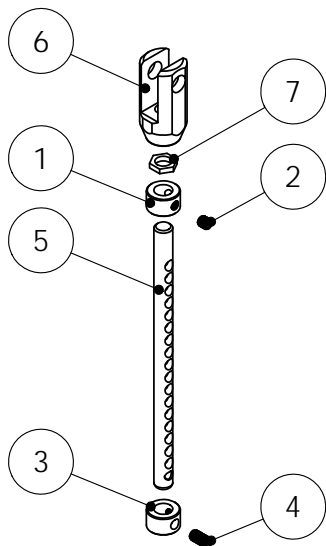
**Spare parts****HD Balance****A6.2**Refers to exploded view: **Tilt bar standard, extended & +5**  
A6.2 - rev. A

rev. 2015-06-30

Pos.	Art.no.	Description	Incl.
	<b>67820-1</b>	<b>TILT BAR standard cpl set</b>	1-7
		TILT BAR standard with stop ring	3-7
1	11038	STOP RING	
2	81325	SCREW P6SS M6x12	
3	11038	STOP RING	
4	81305	SCREW SK6SS 6x6	
		TILT BAR standard	5-7
5		TILT BAR bar standard	
6		FORK	
7		NUT M6M 10x1 mässing	
	<b>67825-1</b>	<b>TILT BAR extended cpl set</b>	8-14
		TILT BAR extended with stop ring	10-14
8	11038	STOP RING	
9	81325	SCREW P6SS M6x12	
10	11038	STOP RING	
11	81305	SCREW P6SS M6x12	
		TILT BAR extended	12-14
12		TILT BAR extended	
13		FORK	
14		NUT M6M 10x1 brass	
	<b>67827-1</b>	<b>TILT BAR +5 cm standard cpl set</b>	15-21
		TILT BAR +5 cm standard with stop ring	17-21
15	11038	STOP RING	
16	81325	SCREW P6SS M6x12	
17	11038	STOP RING	
18	81305	SCREW SK6SS 6x6	
		TILT BAR +5 cm standard	19-21
19		TILT BAR bar standard	
20		FORK extended	
21		NUT M6M 10x1 brass	
	<b>67828-1</b>	<b>TILT BAR +5 cm extended cpl set</b>	22-28
		TILT BAR +5 cm extended with stop ring	24-28
22	11038	STOP RING	
23	81325	SCREW P6SS M6x12	
24	11038	STOP RING	
25	81305	SCREW SK6SS 6x6	
		TILT BAR +5 cm extended	26-28
26		TILT BAR bar extended	
27		FORK extended	
28		NUT M6M 10x1 brass	

Tippstång standard, förlängd och +5cm

Denna ritning får ej kopieras eller överlåtas utan tillstånd av HD Rehab AB



**Spare parts****HD Balance****A7.1**Refers to exploded view: **Däckbroms 24" & 16"**

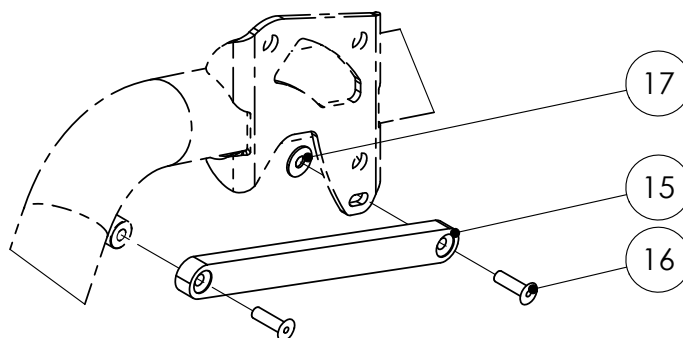
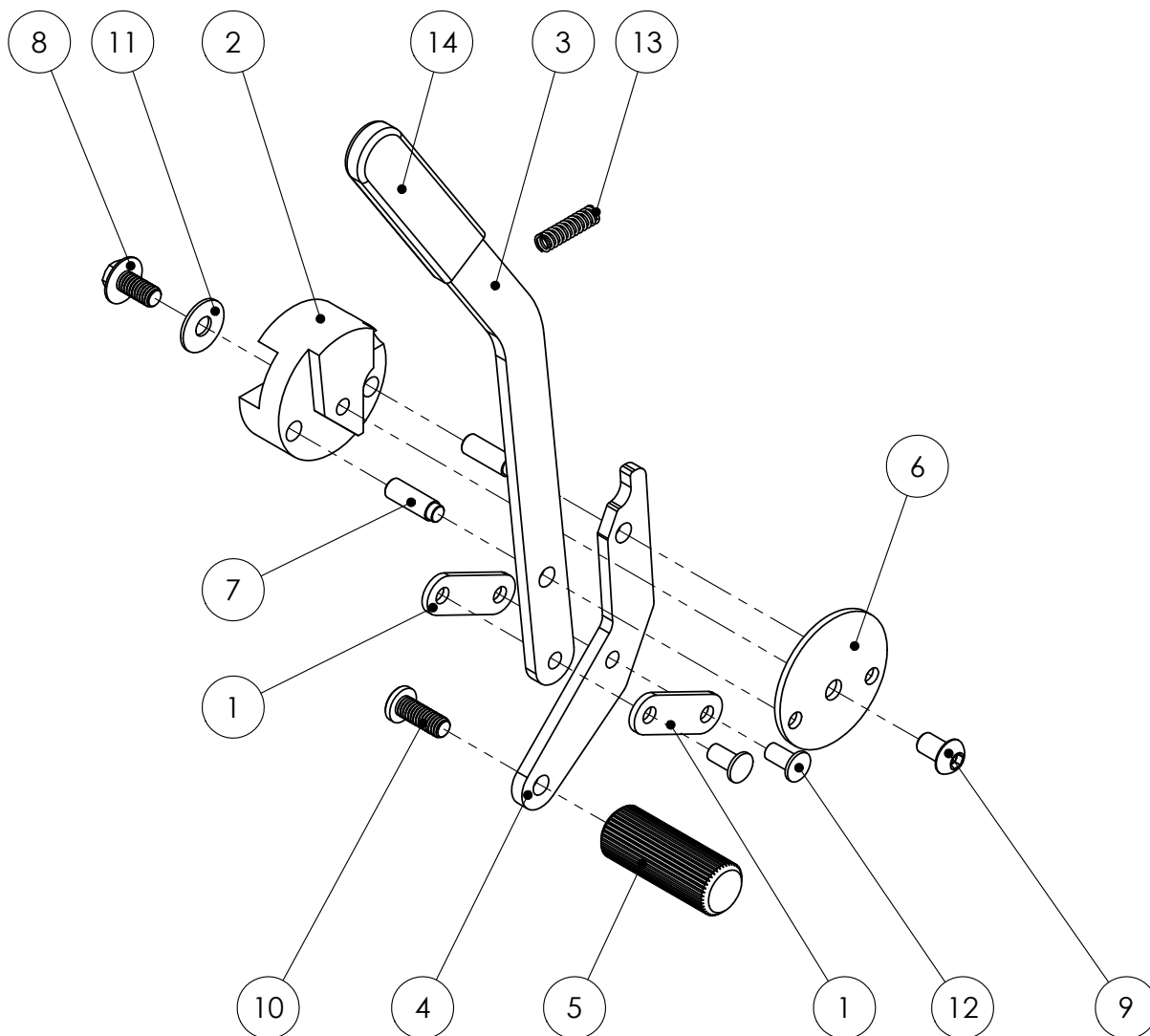
A7.1 - rev. B

rev. 2015-08-30

Pos.	Art.no.	Description	Incl.
	<b>67110</b>	<b>USER BRAKE 24" left</b>	1-14
	<b>67120</b>	<b>USER BRAKE 24" right</b>	1-14
	<b>67131</b>	<b>USER BRAKE 16" left</b>	1-14
	<b>67132</b>	<b>USER BRAKE 16" right</b>	1-14
	<b>67130-1</b>	<b>USER BRAKE 16" Pair cpl set</b>	1-17
1		LINK user brake	
2		HOUSING Brake left	
2		HOUSING Brake right	
3		LEVER User brake	
4		ARM BRAKE 24" (for 67110 & 67120)	
4		ARM BRAKE 16" (for 67131 & 67132)	
5	67117	PIN BRAKE 24"	
6		COVER Plate brake	
7		PIN brake	
8	81195	SCREW M6SF M6x12 FZB	
9	81293	SCREW K6S M6S M6x10 SV.	
10	81294	SCREW K6S M6x16 FZB	
11	81655	WASHER M6 6.4x18x1.6 DIN 9021 black	
12		TUBULAR Rivet KHN 5x10 FZB	
13	81872	SPRING	
14	82159	HANDLE softex 12mm	
15	67129	BRAKE BAR	
16	81448	BLIND RIVET 4.8x21x120	
17	81630	WASHER NB 5x13x1	

Däckbroms 24" & 16"

Denna ritning får ej kopieras eller överlämnas utan tillstånd av HD Rehab AB



**Spare parts****HD Balance****A8.1**Refers to exploded view: **Styrning tippskydd, kpl**

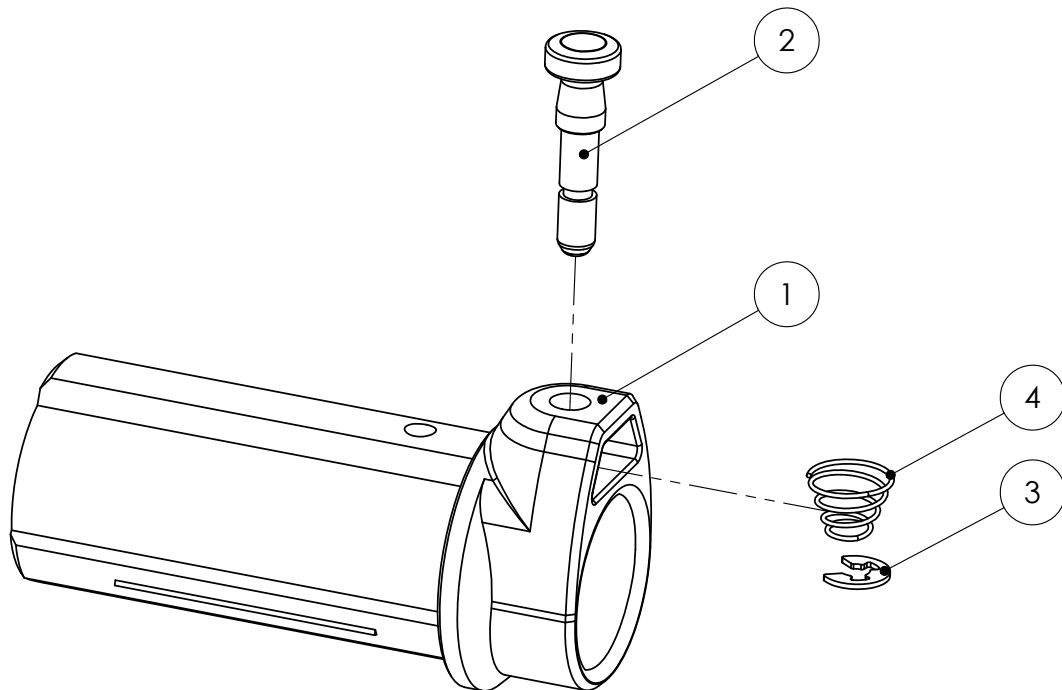
A8.1 - rev. A

rev. 20110125

Pos.	Art.no.	Description	Incl.
	<b>62530</b>	<b>GUIDE antitip device cpl</b>	<b>1-4</b>
1		GUIDE antitip device PA black	
2		PIN antitip device	
3		CIRCLIP RS-4	
4		SPRING	

Styrning tipskydd, kpl

Denna ritning får ej kopieras eller överlätas utan tillstånd av HD Rehab AB



**Spare parts****HD Balance****A9.1**Refers to exploded view: **Tilt Plates**

A9.1 - rev. A

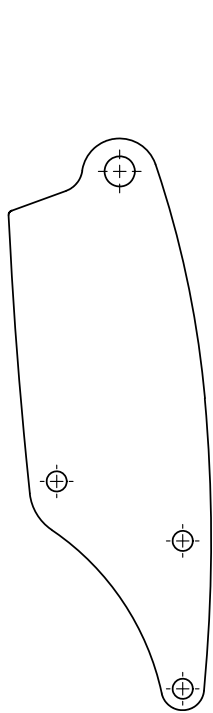
rev. 2015-06-30

Pos.	Art.no.	Description	Incl.
	<b>67051-5</b>	<b>TILT PLATE standard, 1 pair</b>	<b>1</b>
	<b>67052-5</b>	<b>TILT PLATE extended 5 cm, 1 pair</b>	<b>2</b>
	<b>67053-5</b>	<b>TILT PLATE lowered 3 cm, 1 pair</b>	<b>3</b>
	<b>67056-5</b>	<b>TILT PLATE forward 3 cm. 1 pair</b>	<b>4</b>
	<b>67057-5</b>	<b>TILT PLATE back 3 cm, 1 pair</b>	<b>5</b>
	<b>67059-5</b>	<b>TILT PLATE back 3 cm &amp; lowered 3 cm, 1 pair</b>	<b>6</b>
1		TILT PLATE standard black	
2		TILT PLATE extended 5 cm black	
3		TILT PLATE lowered 3 cm black	
4		TILT PLATE forward 3 cm black	
5		TILT PLATE back 3 cm black	
6		TILT PLATE back 3 cm & lowered 3 cm black	
	69951-6	CONVERSION KIT Tilt Plate Seat Height +5cm	See appendix 95762
	69952-6	CONVERSION KIT Tilt Plate Seat Height -3cm	See appendix 95762
	69953-6	CONVERSION KIT Tilt Plate Seat Height +5cm & tilt 0-30°	See appendix 95762
	69956-6	CONVERSION KIT Tilt Plate Forward mounted 3cm	See appendix 95762
	69957-6	CONVERSION KIT Tilt Plate Back mounted -3cm	See appendix 95762
	69959-6	CONVERSION KIT Tilt Plate Back mounted -3cm & Lowered -3cm	See appendix 95762

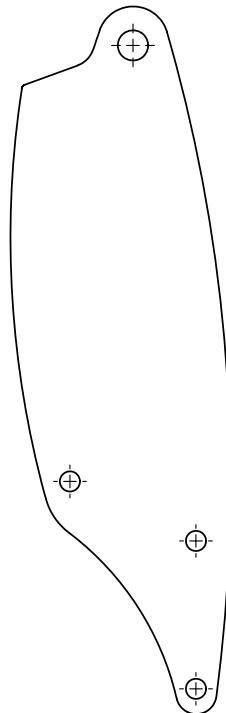


Tiltplåtar

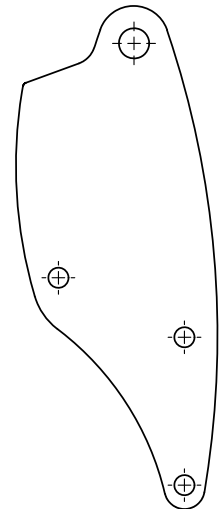
Denna ritning får ej kopieras eller överlåtas utan tillstånd av HD Rehab AB



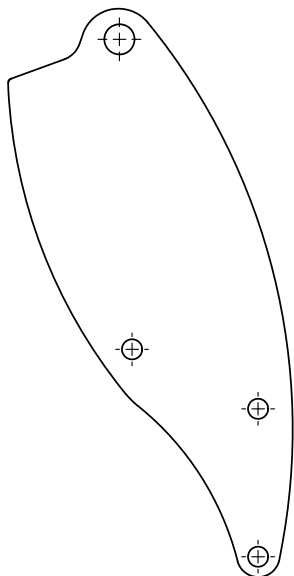
1 Standard



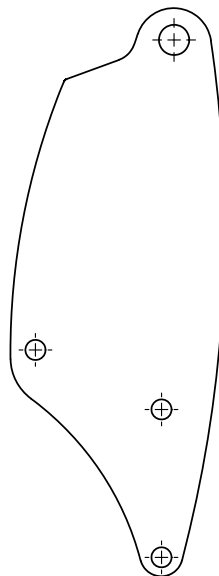
2 Raised 5 cm



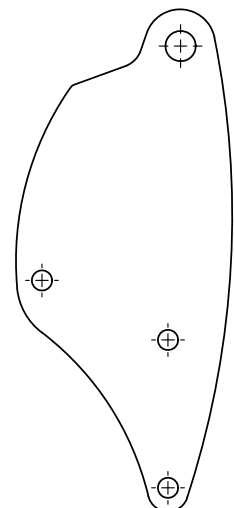
3 Lowered 3 cm



4 Backward 3 cm



5 Backward 3 cm



6 Backward 3 cm & lowered 3 cm

**Spare parts****HD Balance****A10.1**

Refers to exploded view: Spoke protection

A10.1 - rev. B

rev. 2018-02-26

Pos.	Art.no.	Description	Incl.
------	---------	-------------	-------

**For Wheels with 6 supporting posts**

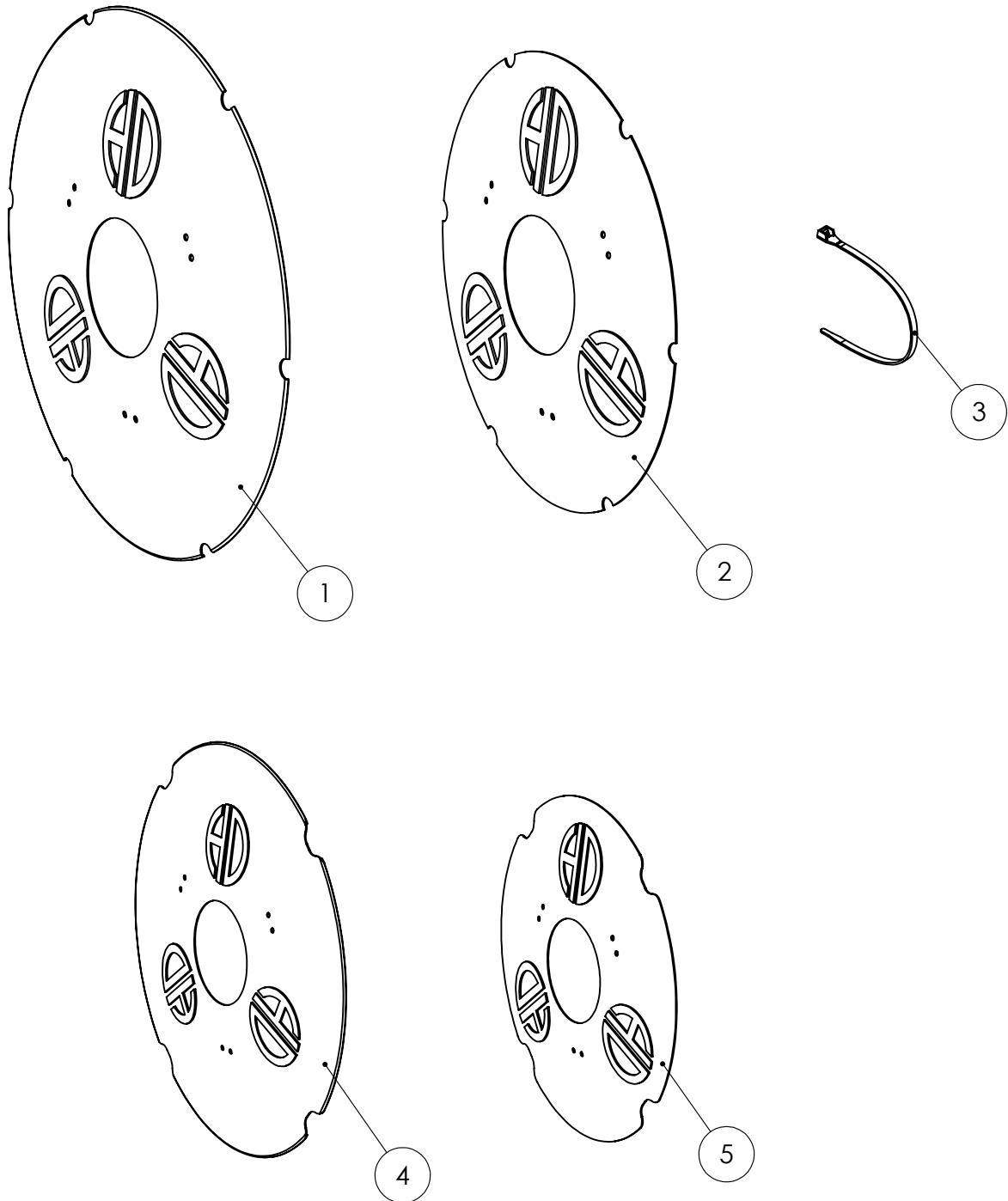
1	<b>15471</b>	<b>SPOKE PROTECTION 24" 6p cpl</b>	
3	84521	Cable tie 100x2.5 white/nature (incl. in art.no. 15471)	
2	<b>15472</b>	<b>SPOKE PROTECTION 20" 6p cpl</b>	
3	84521	Cable tie 100x2.5 white/nature (incl. in art.no. 15472)	

**For Wheels with 4 supporting posts points**

4	<b>15475</b>	<b>SPOKE PROTECTION 24" 4p cpl</b>	
3	84521	Cable tie 100x2.5 white/nature (incl. in art.no. 15475)	
5	<b>15476</b>	<b>SPOKE PROTECTION 20" 4p cpl</b>	
3	84521	Cable tie 100x2.5 white/nature (incl. in art.no. 15476)	

Ekerskydd

Denna ritning får ej kopieras eller överlätas utan tillstånd av HD Rehab AB



**Spare parts****HD Balance****B1.1**Refers to exploded view: **Seat frame standard, extended & reinforced**

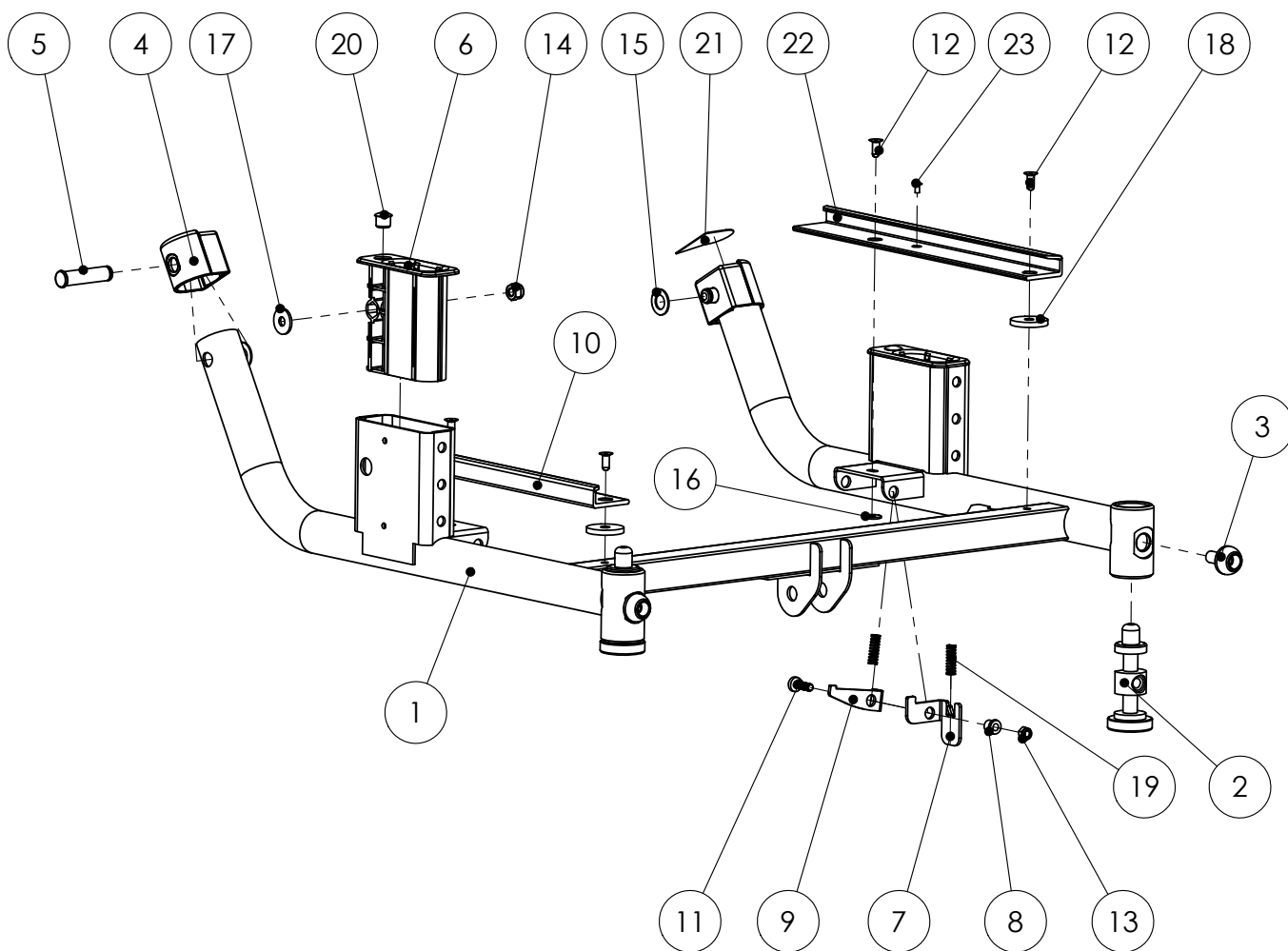
B1.1 - rev. B

rev. 2015-08-30

Pos.	Art.no.	Description	Incl.
	<b>62105-6</b>	<b>SEAT FRAME sw38 cpl black without plate</b>	1-23
	<b>63105-6</b>	<b>SEAT FRAME sw42 cpl black without plate</b>	1-23
	<b>64105-6</b>	<b>SEAT FRAME sw46 cpl black without plate</b>	1-23
	<b>65105-6</b>	<b>SEAT FRAME sw50 cpl black without plate</b>	1-23
	<b>62108-6</b>	<b>SEAT FRAME sw38 Extended cpl black w/o seat plate</b>	1-23
	<b>63108-6</b>	<b>SEAT FRAME sw42 Extended cpl black w/o seat plate</b>	1-23
	<b>64108-6</b>	<b>SEAT FRAME sw46 Extended cpl black w/o seat plate</b>	1-23
	<b>65108-6</b>	<b>SEAT FRAME sw50 Extended cpl black w/o seat plate</b>	1-23
	<b>62106-6</b>	<b>SEAT FRAME sw38 Reinforced cpl w/o seat frame</b>	1-23 (See doc. 95946)
	<b>63106-6</b>	<b>SEAT FRAME sw42 Reinforced cpl w/o seat frame</b>	1-23 (See doc. 95946)
	<b>64106-6</b>	<b>SEAT FRAME sw46 Reinforced cpl w/o seat frame</b>	1-23 (See doc. 95946)
	<b>65106-6</b>	<b>SEAT FRAME sw50 Reinforced cpl w/o seat frame</b>	1-23 (See doc. 95946)
	<b>62109-6</b>	<b>SEAT FRAME sw38 Reinforced &amp; Ext cpl w/o seat plate</b>	1-23 (See doc. 95946)
	<b>63109-6</b>	<b>SEAT FRAME sw38 Reinforced &amp; Ext cpl w/o seat plate</b>	1-23 (See doc. 95946)
	<b>64109-6</b>	<b>SEAT FRAME sw38 Reinforced &amp; Ext cpl w/o seat plate</b>	1-23 (See doc. 95946)
	<b>65109-6</b>	<b>SEAT FRAME sw38 Reinforced &amp; Ext cpl w/o seat plate</b>	1-23 (See doc. 95946)
1		SEAT FRAME sw38 black	
1		SEAT FRAME sw42 black	
1		SEAT FRAME sw46 black	
1		SEAT FRAME sw50 black	
1		SITTRAM Förlängd sb38 svart	
1		SITTRAM Förlängd sb42 svart	
1		SITTRAM Förlängd sb46 svart	
1		SITTRAM Förlängd sb50 svart	
2	62181	PIN seat frame	
3	62182	SCREW seat frame legrest	
4	62191	COVER PA black	
5	62192	PIN frame joint	
6	62193	GUIDE Armrest PA black	
7	68124-5	LOCK ARM seat plate	
8	68124-6	WASHER Lock arm seat plate	
9	68124-8	CATCH seat plate	
10	68129-2	RAIL seat frame right	
	68129-5	RAIL seat frame left with scale	22-23
11	81103	SCREW MRX 5x16	
12	81446	BLIND RIVET 4.8x12x120	
13	81521	LOCKING NUT M5	
14	81546	LOCKING NUT high M6	
15	81615	WASHER 10.2x18x1 fzb	
16	81630	WASHER NB 5x13x1	
17	81655	WASHER M6 6.4x18x1.6 DIN 9021 black	
18	81671	WASHER pl. 26x3x6.5	
19	81893	SPRING	
20	82139	COVER Plug IKPT 12-10	
21	87220	ARROW back angle with symbol	
22	68129-1	RAIL left	
23	81447	BLIND RIVET 3.0x6 AL/ST	

Sittram standard, förlängd & förstärkt

Denna ritning får ej kopieras eller överlätas utan tillstånd av HD Rehab AB



**Spare parts****HD Balance****B1.2**Refers to exploded view: **Seat Frame Chassi**

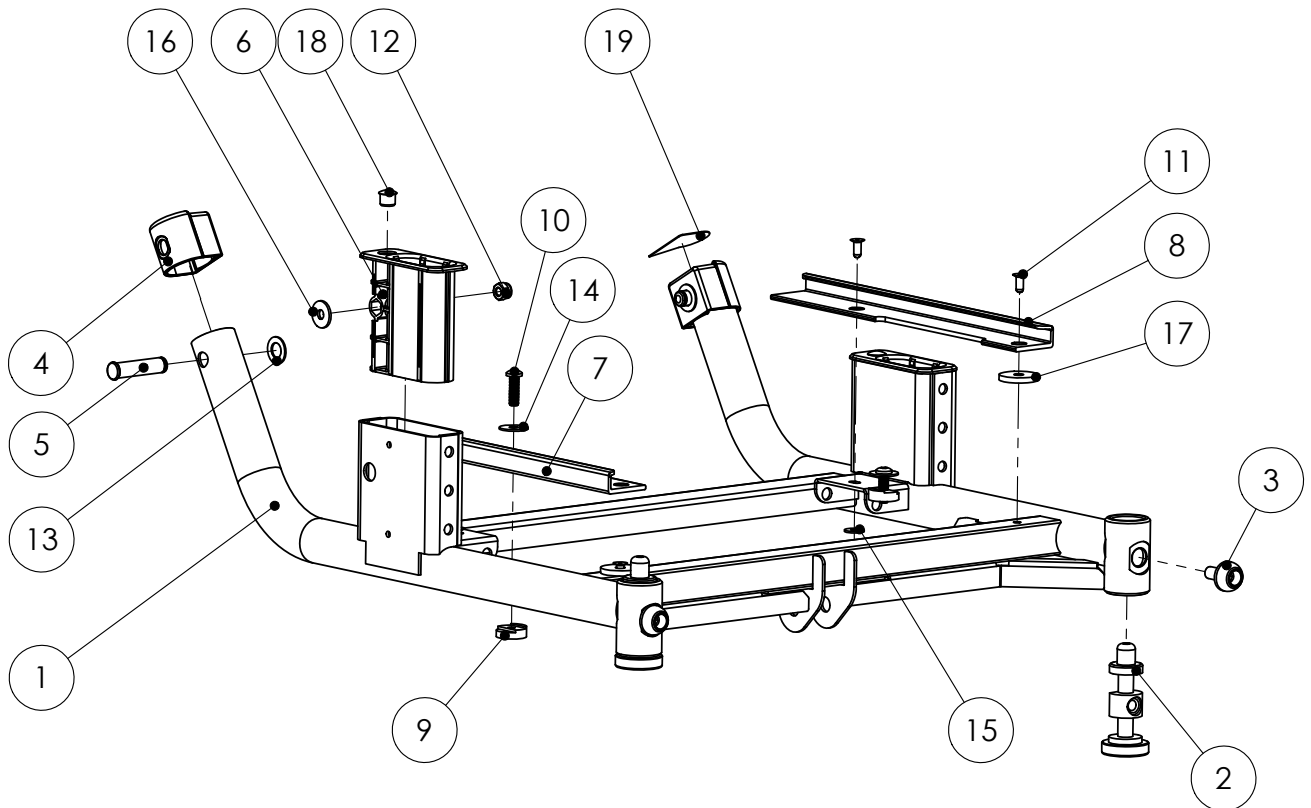
B1.2 - rev. A

rev. 2015-08-30

Pos.	Art.no.	Description	Incl.
	<b>62104-6</b>	<b>SEAT FRAME sw38 chassi cpl black w/o seat plate</b>	1-19
	<b>63104-6</b>	<b>SEAT FRAME sw42 chassi cpl black w/o seat plate</b>	1-19
	<b>64104-6</b>	<b>SEAT FRAME sw46 chassi cpl black w/o seat plate</b>	1-19
	<b>65104-6</b>	<b>SEAT FRAME sw50 chassi cpl black w/o seat plate</b>	1-19
	<b>62107-6</b>	<b>SEAT FRAME sw38 chassi Ext cpl black w/o seat plate</b>	1-19
	<b>63107-6</b>	<b>SEAT FRAME sw42 chassi Ext cpl black w/o seat plate</b>	1-19
	<b>64107-6</b>	<b>SEAT FRAME sw46 chassi Ext cpl black w/o seat plate</b>	1-19
	<b>65107-6</b>	<b>SEAT FRAME sw50 chassi Ext cpl black w/o seat plate</b>	1-19
1		SEAT FRAME sw38 Reinforced black	(see appendix 95946)
1		SEAT FRAME sw42 Reinforced black	(see appendix 95946)
1		SEAT FRAME sw46 Reinforced black	(see appendix 95946)
1		SEAT FRAME sw50 Reinforced black	(see appendix 95946)
1		SEAT FRAME sw38 Reinforced & Extended black	(see appendix 95946)
1		SEAT FRAME sw42 Reinforced & Extended black	(see appendix 95946)
1		SEAT FRAME sw46 Reinforced & Extended black	(see appendix 95946)
1		SEAT FRAME sw50 Reinforced & Extended black	(see appendix 95946)
2	62181	PIN seat frame	
3	62182	SCREW seat frame legrest	
4	62191	COVER PA black	
5	62192	PIN frame joint	
6	62193	GUIDE PA black	
7	68129-6	RAIL seat frame chassi right	
8	68129-7	RAIL seat frame chassi left	
9	68129-8	NUT seat plate chassi	
10	81355	SCREW K6S M6x20 SV.	
11	81446	BLIND RIVET 4.8x12x120	
12	81546	LOCKING NUT high M6	
13	81615	WASHER 10.2x18x1 fzb	
14	81620	WASHER NB 6x19x1 SV.	
15	81630	WASHER NB 5x13x1	
16	81655	WASHER M6 6.4x18x1.6 DIN 9021 black	
17	81671	WASHER pl. 26x3x6.5	
18	82139	COVER Plug IKPT 12-10	
19	87220	ARROW back angle with symbol	

Sittram chassimodell

Denna ritning får ej kopieras eller överlämnas utan tillstånd av HD Rehab AB



**Spare parts****HD Balance****B2.1**Refers to exploded view: **Seat plate standard, extended & chassi**

B2.1 - rev. B

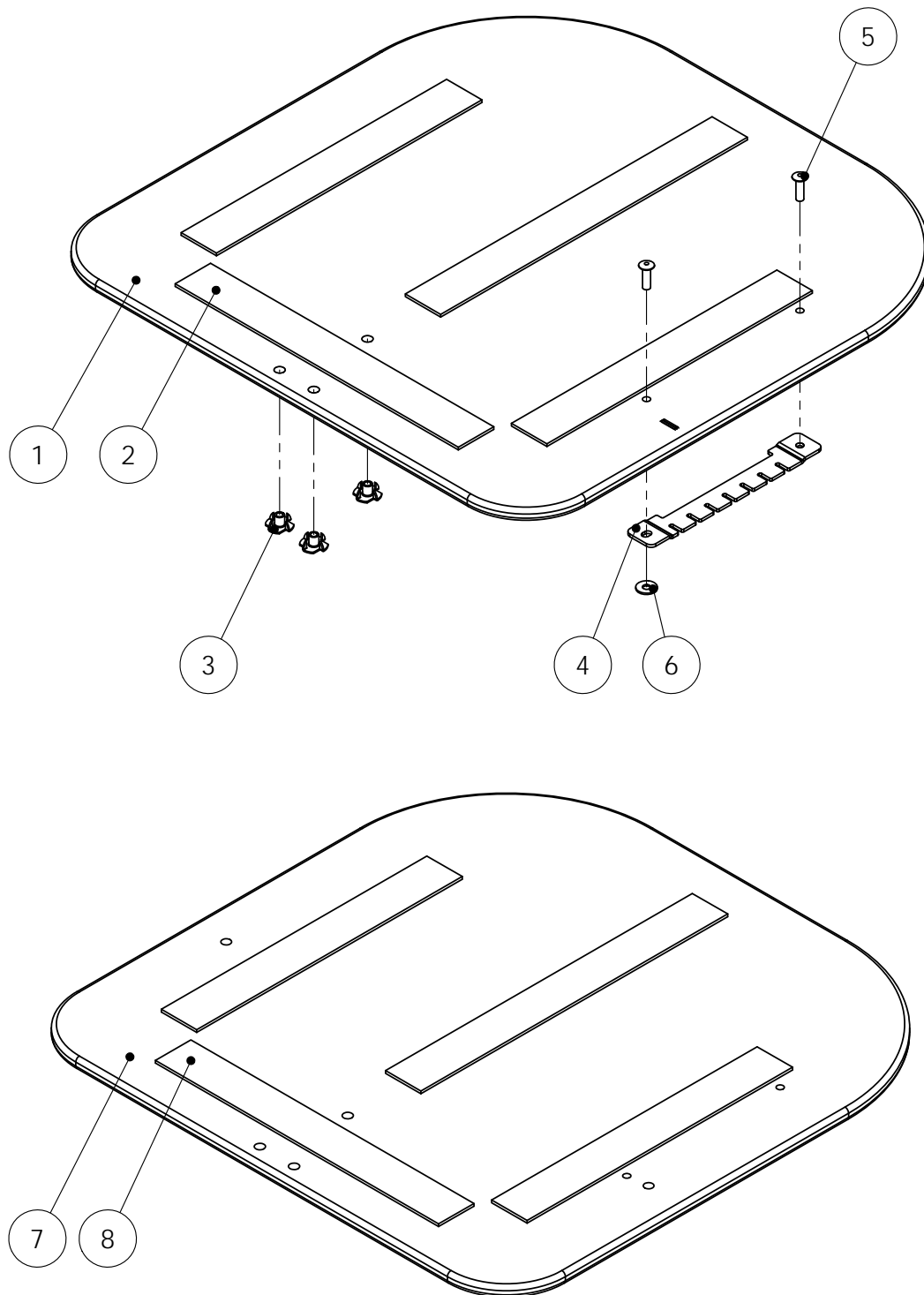
rev. 2016-01-05

Pos.	Art.no.	Description	Incl.
	<b>68120</b>	<b>SEAT PLATE sw38 cpl with lock rail</b>	1-6
	<b>68130</b>	<b>SEAT PLATE sw42 cpl with lock rail</b>	1-6
	<b>68140</b>	<b>SEAT PLATE sw46 cpl with lock rail</b>	1-6
	<b>68150</b>	<b>SEAT PLATE sw50 cpl with lock rail</b>	1-6
	<b>68122</b>	<b>SEAT PLATE sw38 Extended cpl with lock rail</b>	1-6
	<b>68132</b>	<b>SEAT PLATE sw42 Extended cpl with lock rail</b>	1-6
	<b>68142</b>	<b>SEAT PLATE sw46 Extended cpl with lock rail</b>	1-6
	<b>68152</b>	<b>SEAT PLATE sw50 Extended cpl with lock rail</b>	1-6
1		SEAT PLATE sw38 black	
1		SEAT PLATE sw42 black	
1		SEAT PLATE sw46 black	
1		SEAT PLATE sw50 black	
1		SEAT PLATE sw38 Extended black	
1		SEAT PLATE sw42 Extended black	
1		SEAT PLATE sw46 Extended black	
1		SEAT PLATE sw50 Extended black	
2	87002	VELCRO 30mm, Hook self-adhesive	
3	81535	TEE NUT M5x8 black	
4	68124-1	LOCKING RAIL seat plate	
5	81449	BLIND RIVET 4,8x16ST/ST	
6	81630	WASHER NB 5x13x1	
	<b>68121-5</b>	<b>SEAT PLATE sw38 Chassi</b>	7-8
	<b>68131-5</b>	<b>SEAT PLATE sw42 Chassi</b>	7-8
	<b>68141-5</b>	<b>SEAT PLATE sw46 Chassi</b>	7-8
	<b>68151-5</b>	<b>SEAT PLATE sw50 Chassi</b>	7-8
	<b>68123-5</b>	<b>SEAT PLATE sw38 Extended Chassi</b>	7-8
	<b>68133-5</b>	<b>SEAT PLATE sw42 Extended Chassi</b>	7-8
	<b>68143-5</b>	<b>SEAT PLATE sw46 Extended Chassi</b>	7-8
	<b>68153-5</b>	<b>SEAT PLATE sw50 Extended Chassi</b>	7-8
7		SEAT PLATE sw38 chassi black	
7		SEAT PLATE sw42 chassi black	
7		SEAT PLATE sw46 chassi black	
7		SEAT PLATE sw50 chassi black	
7		SEAT PLATE sw38 Extended Chassi	
7		SEAT PLATE sw42 Extended Chassi	
7		SEAT PLATE sw46 Extended Chassi	
7		SEAT PLATE sw50 Extended Chassi	
8	87002	VELCRO 30mm, Hook self-adhesive	



Sittbricka standard, förlängd & chassie

Denna ritning får ej kopieras eller överlätas utan tillstånd av HD Rehab AB



**Spare parts****HD Balance****B3.1**Refers to exploded view: **Gas Spring**

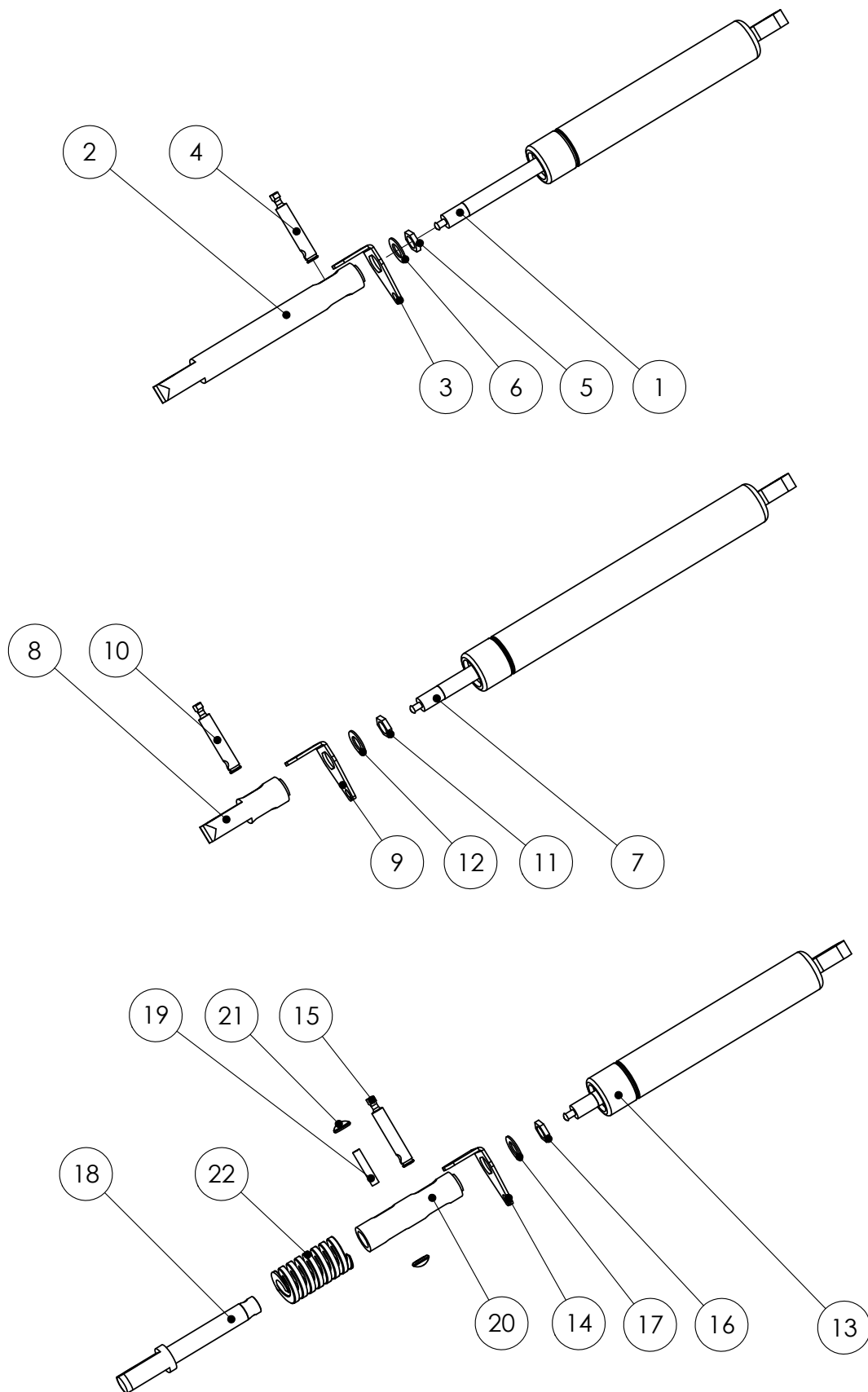
B3.1 - rev. B

rev. 2015-08-30

Pos.	Art.no.	Description	Incl.
	<b>67701</b>	<b>GAS SPRING standard cpl</b>	1-6
1	11160	GAS Spring std	
2		ROD gas spring	
3		ANGLE PLATE gas spring	
4	67711-6	PIN, holder gas spring	
5		NUT M6M 10x1 brass	
6	81615	WASHER 10,2x18x1 FZB	
	<b>67705</b>	<b>GAS SPRING increased back angle cpl</b>	7-12
7	11165	GAS SPRING Extended	
8		ROD gas spring short increased back angle	
9		ANGLE PLATE	
10	67111-6	PIN, holder gas spring	
11		NUT M6M 10x1 brass	
12	81615	WASHER 10,2x18x1 FZB	
	<b>67702</b>	<b>GAS SPRING shock absorbing cpl</b>	13-17
13	11160	GAS SPRING std	
		ROD with Spring cpl	18-22
14		ANGLE PLATE	
15	67711-6	PIN, holder gas spring	
16		NUT M6M 10x1 brass	
17	81615	WASHER 10,2x18x1 FZB	
18		ROD damper B	
19		PIN 5mm	
20		ROD damper A	
21		LOCKING Cap STARLOCK 5	
22		SPRING 5425	

Gasfjäder

Denna ritning får ej kopieras eller överlåtas utan tillstånd av HD Rehab AB



**Spare parts****HD Balance****B3.2**Refers to exploded view: **Fixed Back Bar**

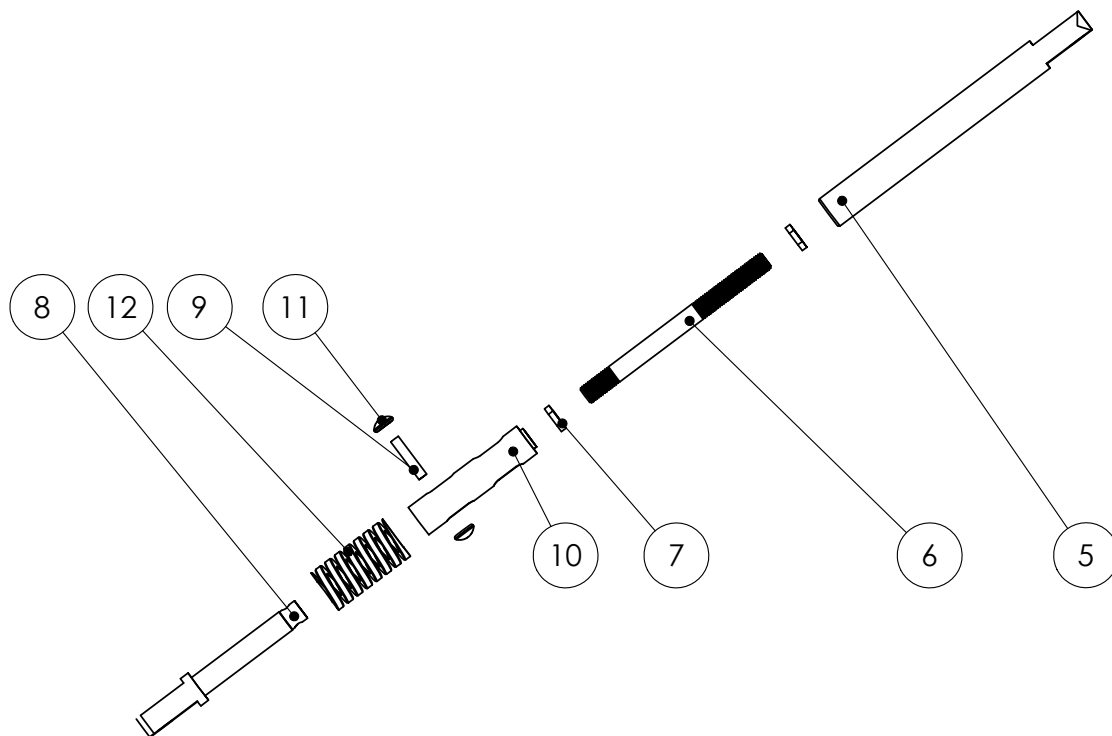
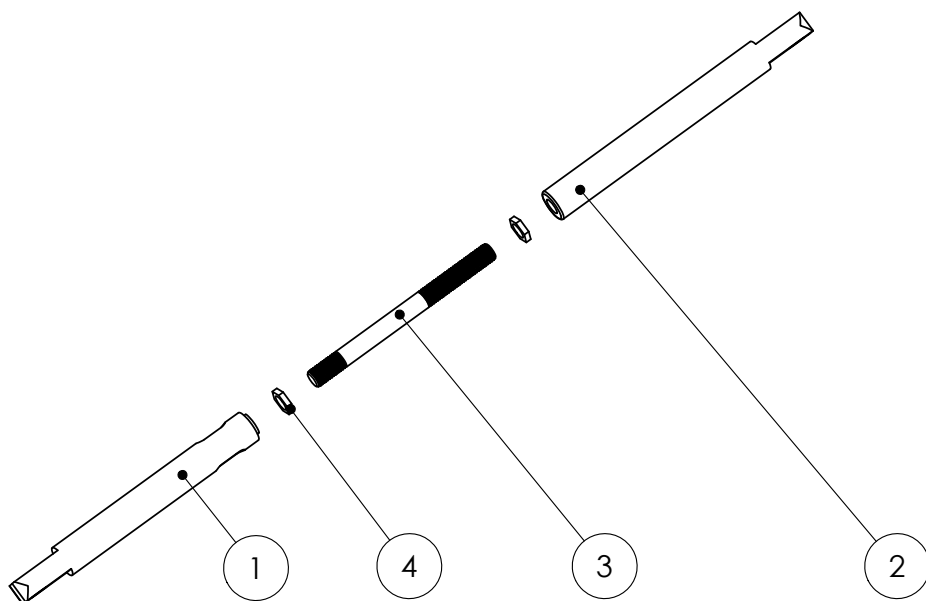
B3.2 - rev. A

rev. 2015-06-30

Pos.	Art.no.	Description	Incl.
	<b>67707</b>	<b>FIXED BACK BAR angle 90°-105° cpl</b>	<b>1-4</b>
1		ROD gas spring	
2		HOLDER fixed back bar	
3		THREADED Rod fixed back bar	
4		NUT M6M 10x1 brass	
	<b>67708</b>	<b>FIXED BACK BAR adj. Shock-absorbing back 90°-105</b>	<b>5-12</b>
		HOLDER Shock-absorbing	8-12
5		HOLDER fixed back bar	
6		THREADED Rod fixed back bar	
7		NUT M6M 40x1 brass	
8		ROD damper B	
9		PIN 5mm	
10		ROD damper A	
11		LOCKING Cap Starlock 5	
12		SPRING 5425	

**Fast ryggställare**

Denna ritning får ej kopieras eller överlämnas utan tillstånd av HD Rehab AB



**Spare parts****HD Balance****C1.1**Refers to exploded view: **Back Frame**

C1.1 - rev. B

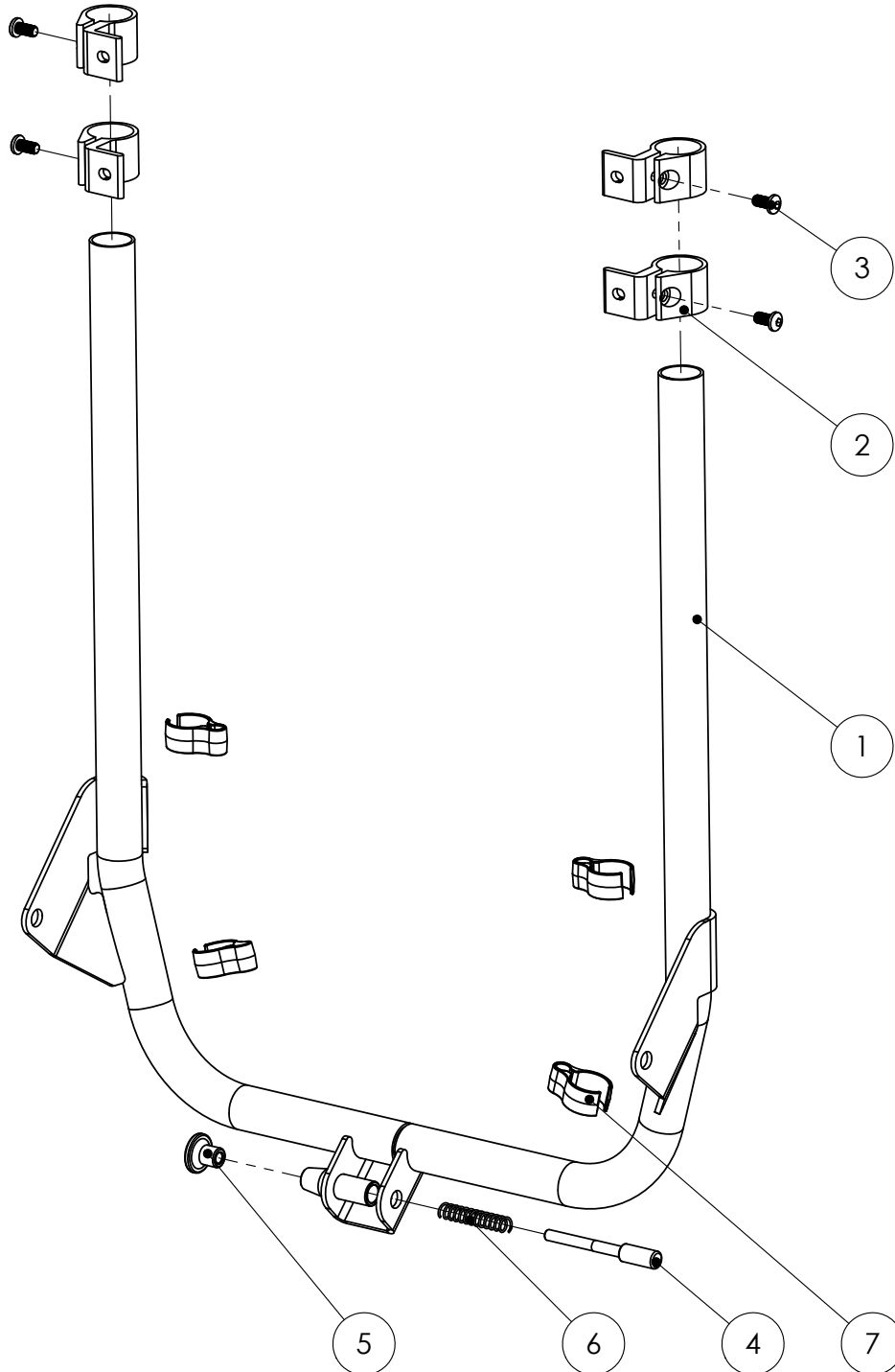
rev. 2016-01-05

Pos.	Art.no.	Description	Incl.
	<b>62200-6</b>	<b>BACK FRAME sw38 cpl with brackets black</b>	1-6
	<b>63200-6</b>	<b>BACK FRAME sw42 cpl with brackets black</b>	1-6
	<b>64200-6</b>	<b>BACK FRAME sw46 cpl with brackets black</b>	1-6
	<b>65200-6</b>	<b>BACK FRAME sw50 cpl with brackets black</b>	1-6
	<b>62201-6</b>	<b>BACK FRAME Reinforced sw38 cpl with brackets *</b>	1-6
	<b>63201-6</b>	<b>BACK FRAME Reinforced sw42 cpl with brackets *</b>	1-6
	<b>64201-6</b>	<b>BACK FRAME Reinforced sw46 cpl with brackets *</b>	1-6
	<b>65201-6</b>	<b>BACK FRAME Reinforced sw50 cpl with brackets *</b>	1-6
1		BACK FRAME sw38 black	
1		BACK FRAME sw42 black	
1		BACK FRAME sw46 black	
1		BACK FRAME sw50 black	
1		BACK FRAME Reinforced sw38 black *	
1		BACK FRAME Reinforced sw42 black *	
1		BACK FRAME Reinforced sw46 black *	
1		BACK FRAME Reinforced sw50 black *	
2	62231-6	BRACKET Back standard black	
3	81354	SCREW K6S M6x12 black	
	10225	FOLDING PIN with spring & knob	4-6
4	10221	PIN	
5	82312	KNOB 22-M6	
6	81852	SPRING	
7	82470-5	WIRECLIP diam. 25 mm	

\* For more information about reinforced frames please see info sheet 95946-1 Configurations for Severe Loading

Ryggram kpl

Denna ritning får ej kopieras eller överlämnas utan tillstånd av HD Rehab AB



**Spare parts****HD Balance****C2.1**

Refers to exploded view: Flexi Back cpl

C2.1 - rev. B

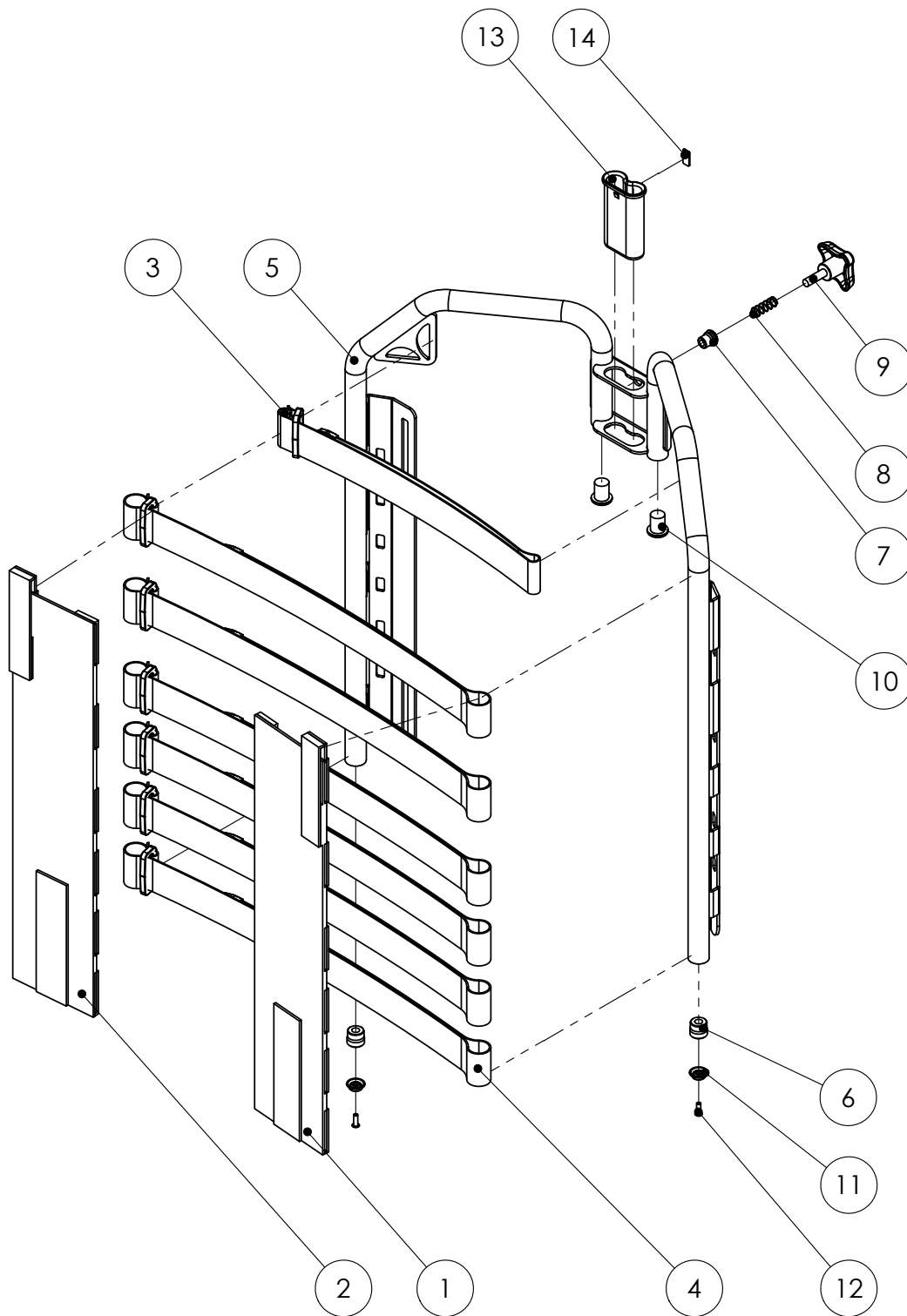
rev. 2015-08-30

Pos.	Art.no.	Description	Incl.
	<b>62250</b>	<b>FLEXI BACK sw38 cpl with straps</b>	1-13
	<b>63250</b>	<b>FLEXI BACK sw42 cpl with straps</b>	1-13
	<b>64250</b>	<b>FLEXI BACK sw46 cpl with straps</b>	1-13
	<b>65250</b>	<b>FLEXI BACK sw50 cpl with straps</b>	1-13
	<b>62255</b>	<b>FLEXI BACK sw38 Ext +10cm cpl with straps</b>	1-13
	<b>63255</b>	<b>FLEXI BACK sw42 Ext +10cm cpl with straps</b>	1-13
	<b>64255</b>	<b>FLEXI BACK sw46 Ext +10cm cpl with straps</b>	1-13
	<b>65255</b>	<b>FLEXI BACK sw50 Ext +10cm cpl with straps</b>	1-13
1	49241-1	BACKPIECE flexi back left	
1	49242-1	BACKPIECE extended +10cm flexi back left	
2	49241-2	BACKPIECE flexi back right	
2	49242-2	BACKPIECE extended +10cm flexi back right	
3	49241-6	BACKSTRAP Short sw38 flexi back	
3	49341-6	BACKSTRAP Short sw42 flexi back	
3	49441-6	BACKSTRAP Short sw46 flexi back	
3	49541-6	BACKSTRAP Short sw50 flexi back	
4	49241-7	BACKSTRAP Long sw38 flexi back	
4	49341-7	BACKSTRAP Long sw42 flexi back	
4	49441-7	BACKSTRAP Long sw46 flexi back	
4	49541-7	BACKSTRAP Long sw50 flexi back	
5		FLEXI BACK sw38 black	
5		FLEXI BACK sw42 black	
5		FLEXI BACK sw46 black	
5		FLEXI BACK sw50 black	
5		FLEXI BACK sw38 Extended +10 Black	
5		FLEXI BACK sw42 Extended +10 Black	
5		FLEXI BACK sw46 Extended +10 Black	
5		FLEXI BACK sw50 Extended +10 Black	
6		BUSHING flexi back	
7		THREADED RIVET M6	
8	81869	SPRING	
9	81956	KNOB M6x20 Braga 40x23 black	
10	82132	COVER Plug 16/12.5-14	
11		PRESS Stud	
12		BLIND RIVET 3.2x9.5 MUL	
	82218-5	PROFILE Housing with press plate	13-14
13		PROFILE housing	
14		PRESS Plate	



Flexiram kpl

Denna ritning får ej kopieras eller överlätas utan tillstånd av HD Rehab AB



**Spare parts****HD Balance****C2.2**Refers to exploded view: **Solid Back Plate**

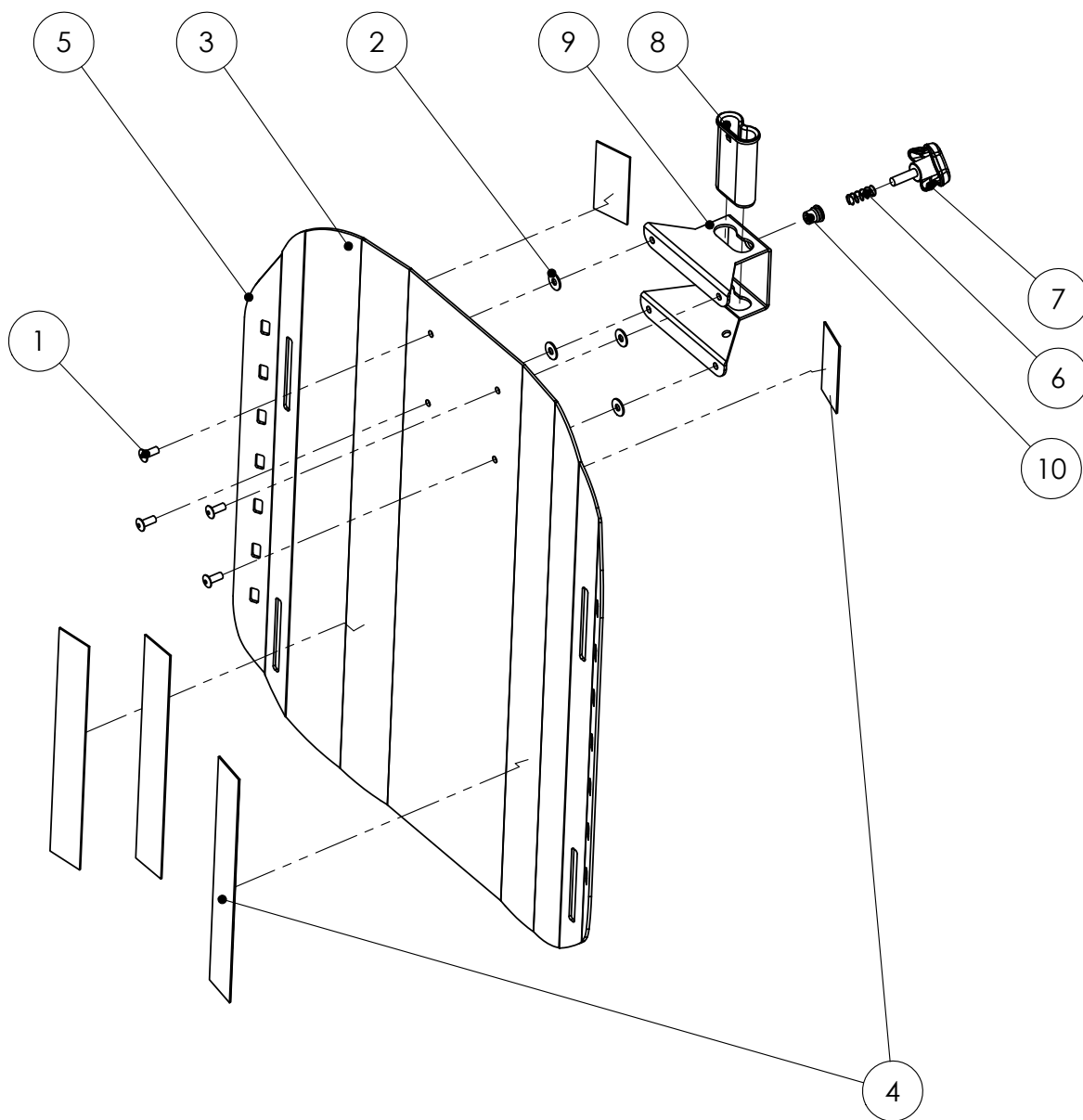
C2.2 - rev. B

rev. 2015-08-30

Pos.	Art.no.	Description	Incl.
	<b>62260</b>	<b>SOLID BACK PLATE sw38 with headrest bracket</b>	
	<b>63260</b>	<b>SOLID BACK PLATE sw42 with headrest bracket</b>	
	<b>64260</b>	<b>SOLID BACK PLATE sw46 with headrest bracket</b>	
	<b>65260</b>	<b>SOLID BACK PLATE sw50 with headrest bracket</b>	
	<b>62265</b>	<b>SOLID BACK PLATE Ext +10 sw38 with h-bracket</b>	
	<b>63265</b>	<b>SOLID BACK PLATE Ext +10 sw42 with h-bracket</b>	
	<b>64265</b>	<b>SOLID BACK PLATE Ext +10 sw46 with h-bracket</b>	
	<b>65265</b>	<b>SOLID BACK PLATE Ext +10 sw50 with h-bracket</b>	
		SOLID BACK PLATE sw38 with velcro & edge strip	3-5
		SOLID BACK PLATE sw42 with velcro & edge strip	3-5
		SOLID BACK PLATE sw46 with velcro & edge strip	3-5
		SOLID BACK PLATE sw50 with velcro & edge strip	
		SOLID BACK PLATE sw38 extended +10cm	3-5
		SOLID BACK PLATE sw42 extended +10cm	3-5
		SOLID BACK PLATE sw46 extended +10cm	3-5
		SOLID BACK PLATE sw50 extended +10cm	3-5
	63271	HEADREST Bracket cpl with knob & housing	6-10
1	81454	BLIND RIVET 4.8x11 MUL	
2	81630	WASHER NB 5x13x1	
3		SOLID BACK PLATE sw38 std	
3		SOLID BACK PLATE sw42 std	
3		SOLID BACK PLATE sw46 std	
3		SOLID BACK PLATE sw50 std	
3		SOLID BACK PLATE extended +10cm sw38	
3		SOLID BACK PLATE extended +10cm sw42	
3		SOLID BACK PLATE extended +10cm sw46	
3		SOLID BACK PLATE extended +10cm sw50	
4	87002	VELCRO 30mm Hook self-adhesive	
5	87164	EDGE STRIP F125	
	63272	HEADREST Bracket	9-10
6	81869	SPRING	
7	81956	KNOB M6x20	
8	82218-5	PROFILE HOUSING with press plate	See page C2.1
9		HEADREST Bracket solid back plate	
10		THREADED RIVET M6	

Planrygg kpl

Denna ritning får ej kopieras eller överlämnas utan tillstånd av HD Rehab AB



**Spare parts****HD Balance****C3.1**Refers to exploded view: **Push Bar**

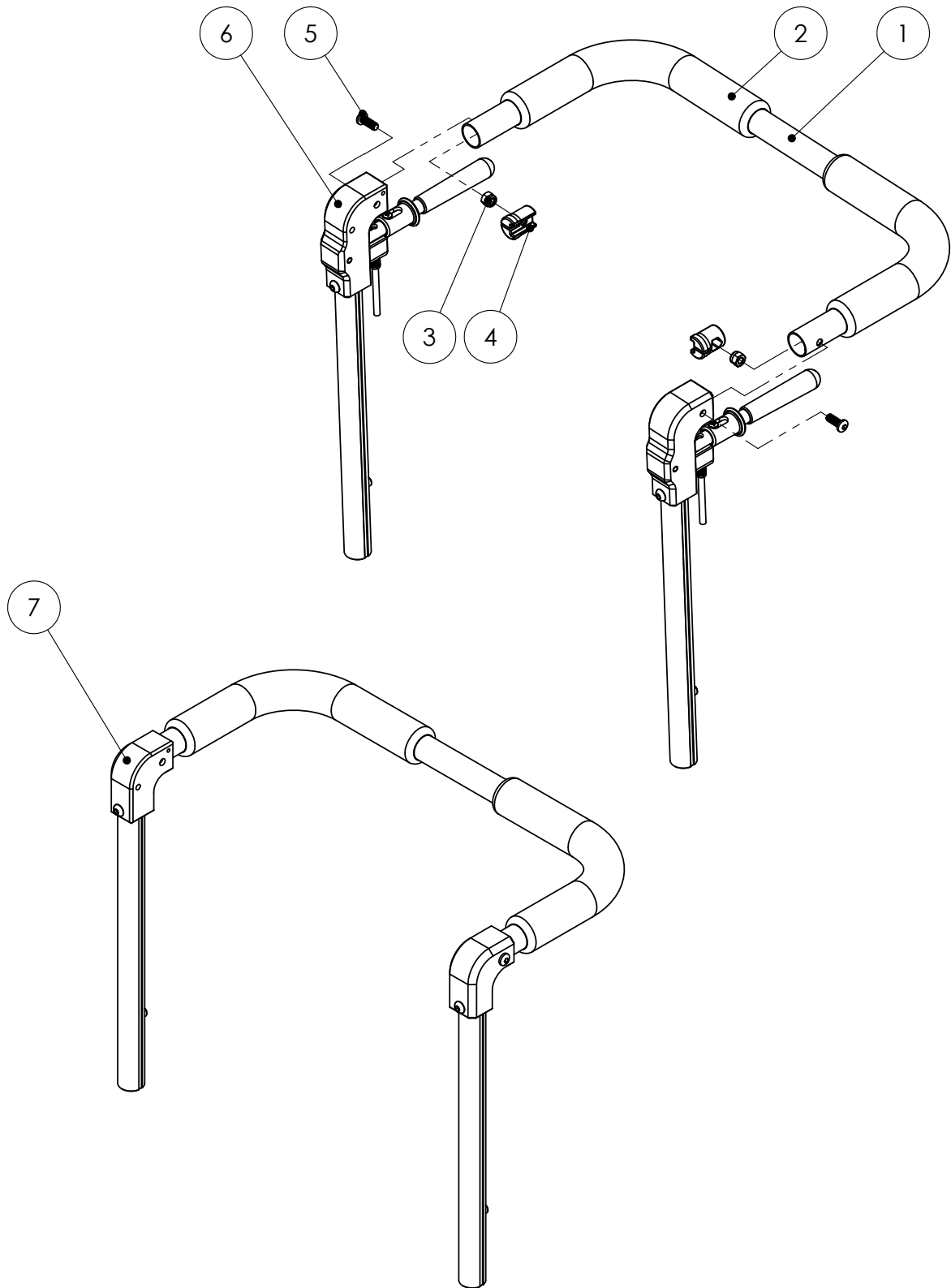
C3.1 - rev. B

rev. 2015-08-30

Pos.	Art.no.	Description	Incl.
	<b>62320</b>	<b>PUSH BAR sw38 with brake handles std</b>	1-6
	<b>63320</b>	<b>PUSH BAR sw42 with brake handles std</b>	1-6
	<b>64320</b>	<b>PUSH BAR sw46 with brake handles std</b>	1-6
	<b>65320</b>	<b>PUSH BAR sw50 with brake handles std</b>	1-6
	<b>62350</b>	<b>PUSH BAR sw38 Simple</b>	1-5 & 7
	<b>63350</b>	<b>PUSH BAR sw42 Simple</b>	1-5 & 7
	<b>64350</b>	<b>PUSH BAR sw46 Simple</b>	1-5 & 7
	<b>65350</b>	<b>PUSH BAR sw50 Simple</b>	1-5 & 7
	<b>13712</b>	<b>COVER for Push Bar pair</b>	2
	<b>13712-5</b>	<b>COVER for Push Bar 3 pcs</b>	2
	62341-1	PUSH BAR sw38 with cover excl. side unit	1-5
	63341-1	PUSH BAR sw42 with cover excl. side unit	1-5
	64341-1	PUSH BAR sw46 with cover excl. side unit	1-5
	65341-1	PUSH BAR sw50 with cover excl. side unit	1-5
1		PUSH BAR sw38	
1		PUSH BAR sw42	
1		PUSH BAR sw46	
1		PUSH BAR sw50	
2		HD-FOAM Black 260mm	
	82219-5	NUT HOLDER with nut	3-4
3	81546	LOCKING NUT High M6	
4		NUT Holder	
5	81294	SCREW K6S M6x16 FZB	
6	62330-1	SIDE UNIT standard with brake handle left	see page C4.1
6	62330-2	SIDE UNIT standard with brake handle right	see page C4.1
7	62351-1	SIDE UNIT Simple without brakes left	see page C4.2
7	62351-2	SIDE UNIT Simple without brakes right	see page C4.2

Körbygel std kpl

Denna ritning får ej kopieras eller överlämnas utan tillstånd av HD Rehab AB



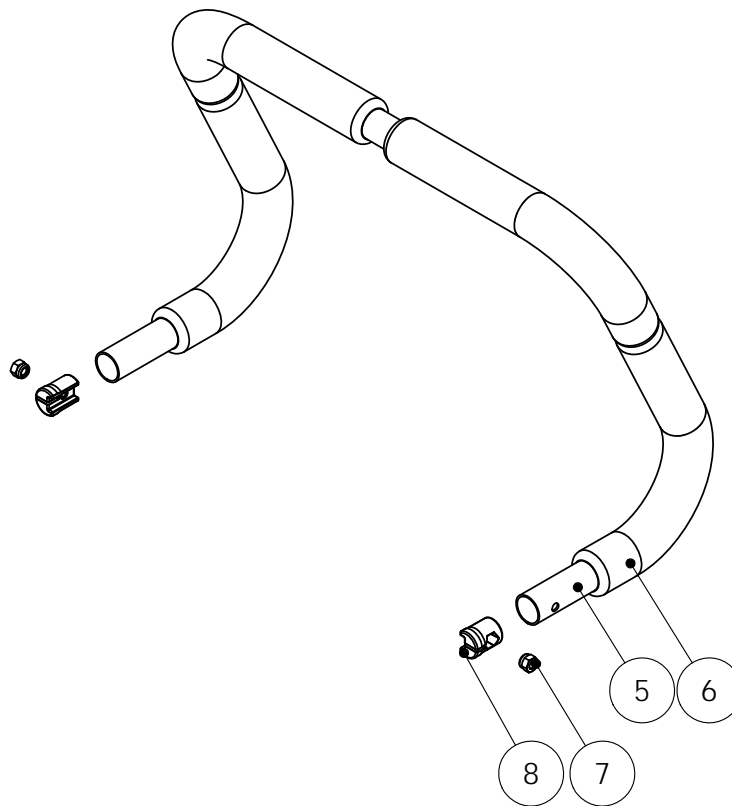
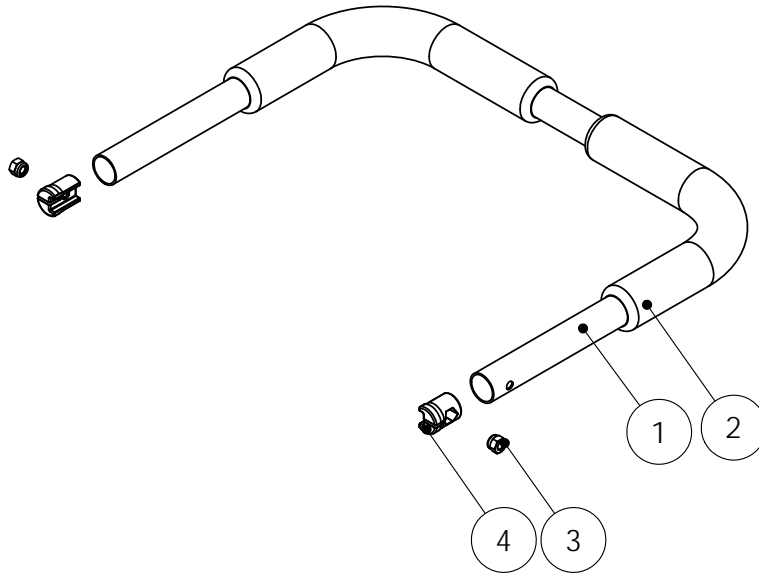
**Spare parts****HD Balance****C3.2**Refers to exploded view: **Push Bar Extended +8 & Bended**  
C3.2 - rev. A

rev. 2015-06-30

Pos.	Art.no.	Description	Incl.
	<b>62342-1</b>	<b>PUSH BAR Extended +8cm sw38 with cover</b>	1-4
	<b>63342-1</b>	<b>PUSH BAR Extended +8cm sw42 with cover</b>	1-4
	<b>64342-1</b>	<b>PUSH BAR Extended +8cm sw46 with cover</b>	1-4
	<b>65342-1</b>	<b>PUSH BAR Extended +8cm sw50 with cover</b>	1-4
1		PUSH BAR Extended +8cm sw38	
1		PUSH BAR Extended +8cm sw42	
1		PUSH BAR Extended +8cm sw46	
1		PUSH BAR Extended +8cm sw50	
2		HD-FOAM black	
	82219-5	NUT HOLDER with nut	3-4
3	81546	LOCKING NUT High M6	
4		NUT HOLDER	
	<b>62343-1</b>	<b>PUSH BAR Extended +8 &amp; Bended sw38 with cover</b>	5-8
	<b>63343-1</b>	<b>PUSH BAR Extended +8 &amp; Bended sw42 with cover</b>	5-8
	<b>64343-1</b>	<b>PUSH BAR Extended +8 &amp; Bended sw46 with cover</b>	5-8
	<b>65343-1</b>	<b>PUSH BAR Extended +8 &amp; Bended sw50 with cover</b>	5-8
5		PUSH BAR extended & bended sw38	
5		PUSH BAR extended & bended sw42	
5		PUSH BAR extended & bended sw46	
5		PUSH BAR extended & bended sw50	
6		HD-FOAM black	
	82219-5	NUT HOLDER with nut	7-8
7	81546	LOCKING NUT High M6	
8		NUT HOLDER	

Körbygel Förhöjd Bockad & Körbygel +8 djup

Denna ritning får ej kopieras eller överlåtas utan tillstånd av HD Rehab AB



**Spare parts****HD Balance****C3.3**Refers to exploded view: **Push Handles**

C3.3 - rev. B

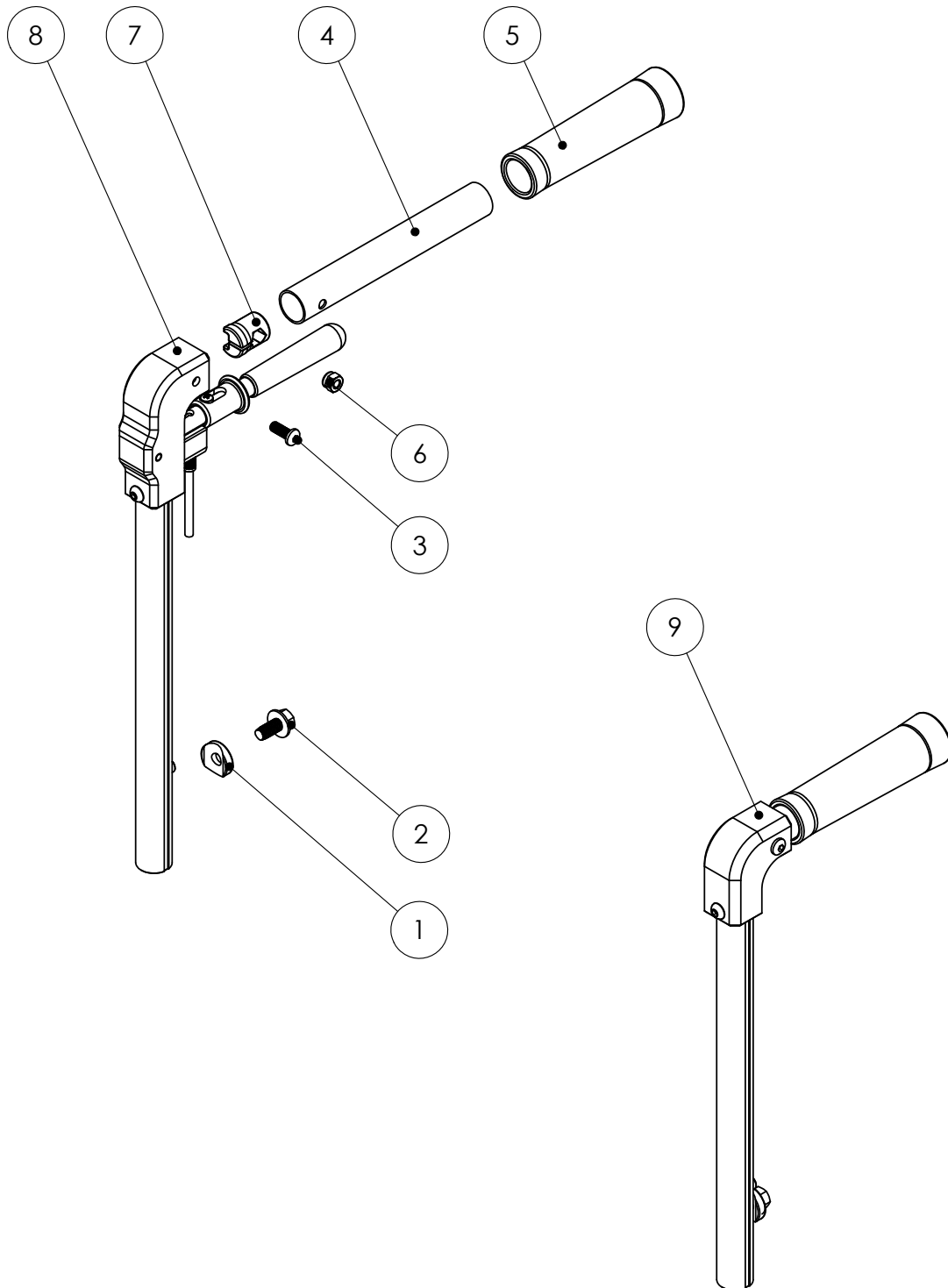
rev. 2015-08-30

Pos.	Art.no.	Description	Incl.
	<b>10295</b>	<b>PUSH HANDLES pair</b>	1-7
	<b>62315</b>	<b>PUSH HANDLES with brake handles pair</b>	1-8
	<b>62355</b>	<b>PUSH HANDLES Simple pair</b>	1-7 & 9
	62315-1	PUSH HANDLE with brake handle left	
	62315-2	PUSH HANDLE with brake handle right	
	62355-1	PUSH HANDLE Simple left	
	62355-2	PUSH HANDLE Simple right	
	10284-1	HANDLE with cover	4-7
1	10279-5	WASHER push handle tube	
2	81191	SCREW M6SF M8x16 sv	
3	81294	SCREW K6S M6x16 FZB	
4		TUBE Handle	
5	82161	COVER Handle black TPE 22	
	82219-5	NUT HOLDER with nut	6-7
6	81546	LOCKING NUT High M6	
7		NUT HOLDER	
8	62330-1	SIDE UNIT standard with brake handle left	See page C4.1
8	62330-2	SIDE UNIT standard with brake handle right	See page C4.1
9	62351-1	SIDE UNIT simple without brakes left	See page C4.2
9	62351-2	SIDE UNIT simple without brakes right	See page C4.2



Körhandtag separata

Denna ritning får ej kopieras eller överlämnas utan tillstånd av HD Rehab AB



**Spare parts****HD Balance****C4.1**Refers to exploded view: **Side Unit Standard & Extended**

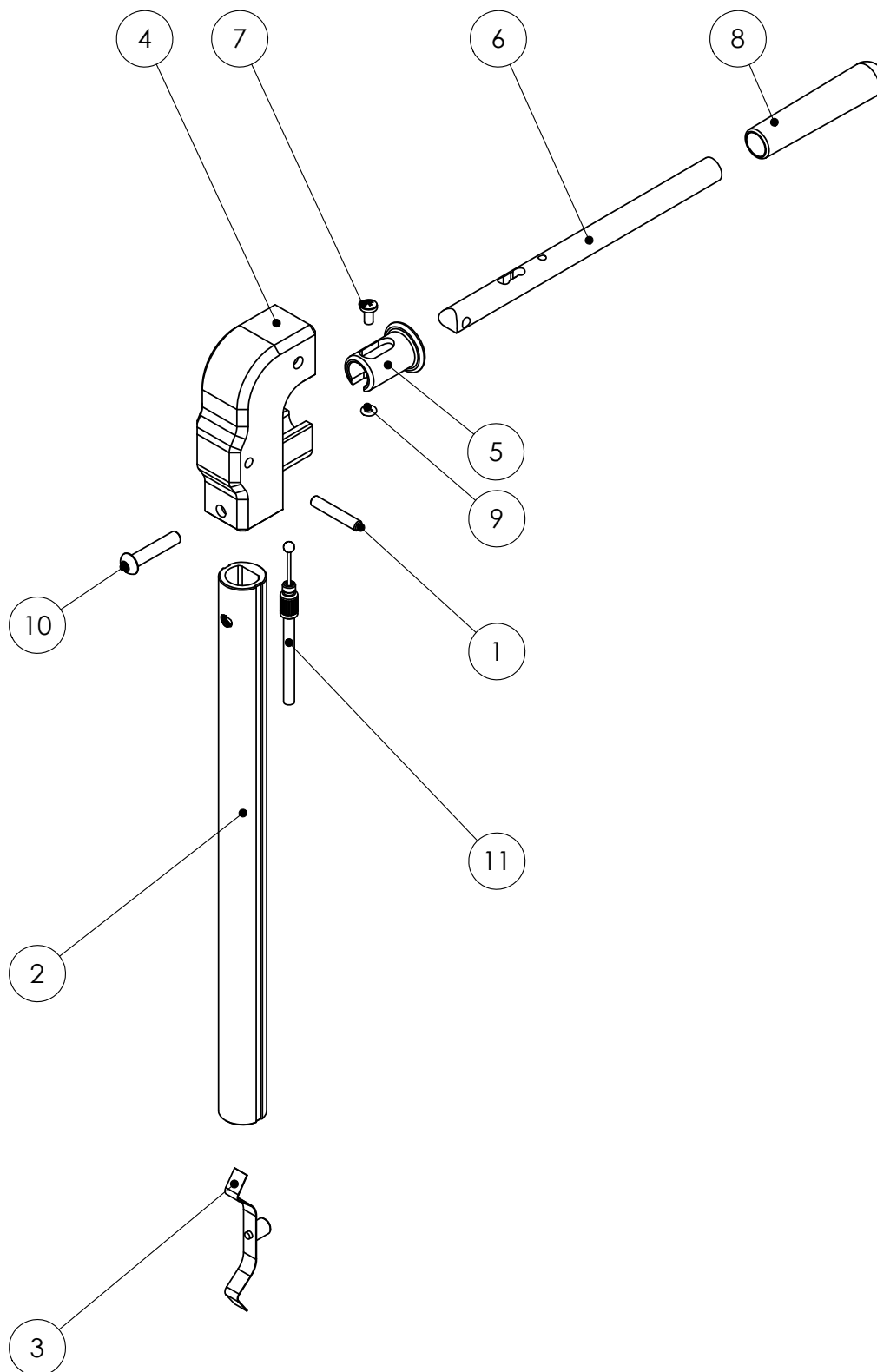
C4.1 - rev. A

rev. 2018-02-26

Pos.	Art.no.	Description	Incl.
	<b>62330-1</b>	<b>SIDE UNIT Standard with brake handle left</b>	1-10
	<b>62330-2</b>	<b>SIDE UNIT Standard with brake handle right</b>	1-10
	<b>62330-5</b>	<b>SIDE UNIT Extended +12cm with brake handle left</b>	1-10
	<b>62330-6</b>	<b>SIDE UNIT Extended +12cm with brake handle right</b>	1-10
1	10288-9	PIN Brake handle	
	10289-2	TUBE Push handle with locking knob	2-3
	10289-9	TUBE Push handle +12cm with locking knob	2-3
2		TUBE Push handle	
2		TUBE Push handle extended +12cm	
3	10795	LOCKING KNOB	
4		SIDE UNIT Housing left	
4		SIDE UNIT Housing right	
	62336-1	BRAKE Handle cpl	5-9
5	13848	LOCK SLEEVE brake handle	
6		BRAKE Handle	
7	81154	SCREW MRX 4x8 spiral	
8	82159	HANDLE Softex 12 mm	
9	82407	O-RING 3.69x1.78 NBR	
10	81340	SCREW K6S M6x30 FZB	
11	82445	WIRE SET Brake	See page C5.2

Körhandtagssida std

Denna ritning får ej kopieras eller överlämnas utan tillstånd av HD Rehab AB



**Spare parts****HD Balance****C4.2**Refers to exploded view: **Körhandtagssida enkelt utförande**

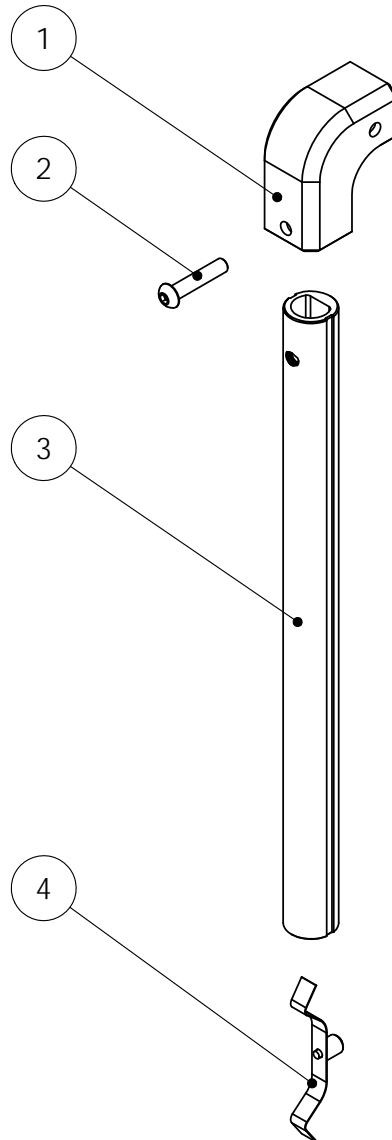
C4.2 - rev. A

rev. 2018-02-26

Pos.	Art.no.	Description	Incl.
	<b>62351-1</b>	<b>SIDE UNIT Simple without brakes left</b>	1-4
	<b>62351-2</b>	<b>SIDE UNIT Simple without brakes right</b>	1-4
	<b>62351-5</b>	<b>SIDE UNIT Simple Extended +12cm w/o brakes left</b>	1-4
	<b>62351-6</b>	<b>SIDE UNIT Simple Extended +12cm w/o brakes right</b>	1-4
	10289-2	TUBE Push Handle with locking knob	3-4
	10289-9	TUBE Push Handle Extended +12 with locking knob	3-4
1		SIDE UNIT housing simple left	
1		SIDE UNIT housing simple right	
2	81340	SCREW K6S M6x30 FZB	
3		TUBE Side Unit standard	
3		TUBE Side Unit extended	
4	10795	LOCKING KNOB	

Körhandtagssida enkelt utförande

Denna ritning får ej kopieras eller överlämnas utan tillstånd av HD Rehab AB



**Spare parts****HD Balance****C4.3**Refers to exploded view: **Side Unit Angle Adjustable**

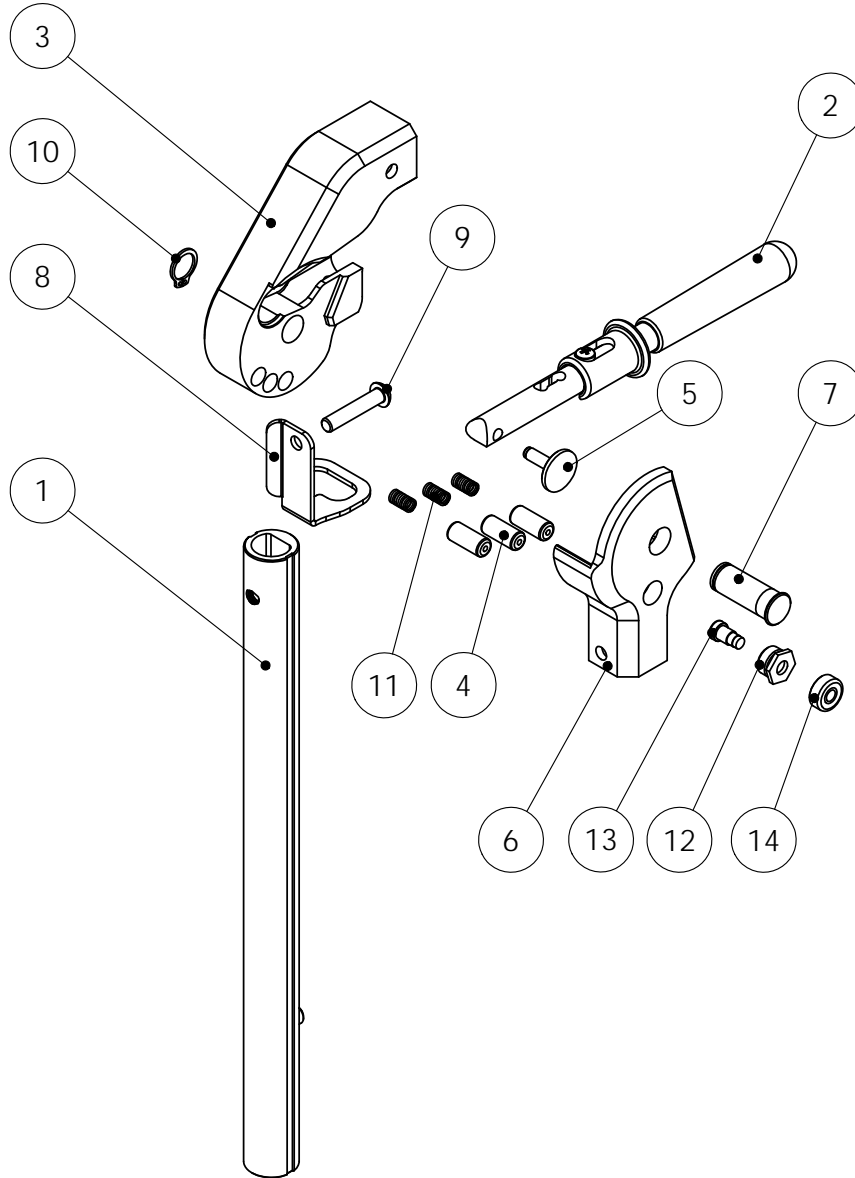
C4.3 - rev. A

rev. 2015-06-30

Pos.	Art.no.	Description	Incl.
	<b>62390-1</b>	<b>SIDE UNIT Angle adjustable Pair</b>	1-14
	<b>62392-1</b>	<b>SIDE UNIT Angle adjustable left</b>	1-14
	<b>62392-2</b>	<b>SIDE UNIT Angle adjustable right</b>	1-14
1	10289-2	TUBE push handle with locking knob	Se blad C4.1
2	62336-1	BRAKE Handle cpl	Se blad C4.1
3		BLOCK Side Unit angle adjustable left	
3		BLOCK Side Unit angle adjustable right	
4		BAR PIN	
5		GUIDE PIN	
6		BRACKET Side Unit angle adj. Left	
6		BRACKET Side Unit angle adj. Right	
7		PIN	
	62394-9	RELEASE BUTTON	12-14
8	62396-1	WIRE Holder fro angle- adj. Left	
8	62396-2	WIRE Holder fro angle- adj. Right	
9	81340	SCREW K6S M6x30 FZB	
10	81735	CIRCLIP SGA 12	
11	81897	SPRING	
12		SLEEVE Locking	
13		PRESS Pin	
14		RELEASE Button	

Vinkelställbara körhandtagssidor

Denna ritning får ej kopieras eller överlätas utan tillstånd av HD Rehab AB



**Spare parts****HD Balance****C5.1**Refers to exploded view: **Wire Control**

C5.1 - rev. A

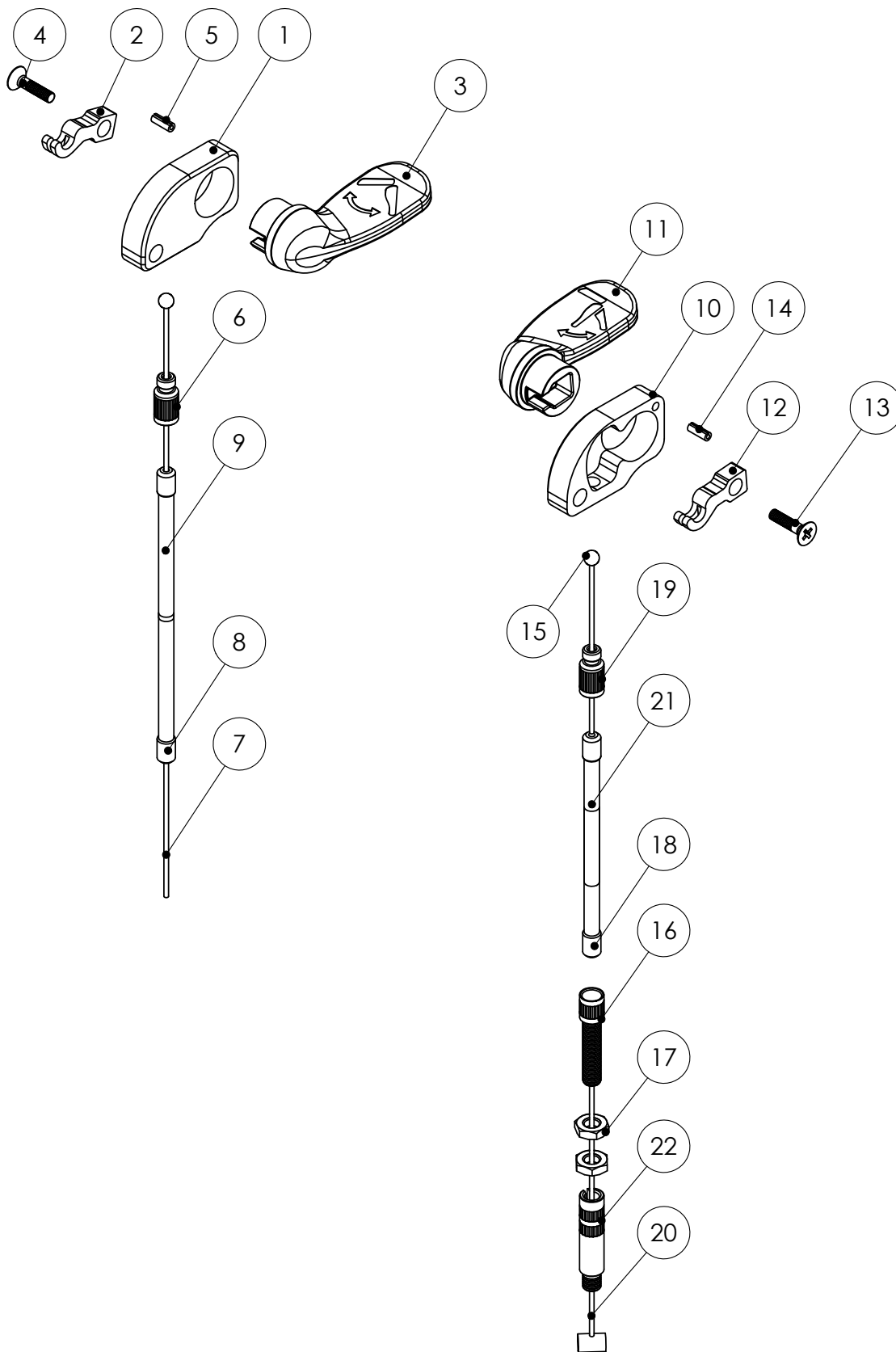
rev. 2015-08-30

Pos.	Art.no.	Description	Incl.
	<b>62362</b>	<b>WIRE CONTROL Tilt with wire</b>	1-9
	<b>62362-5</b>	<b>WIRE CONTROL Tilt +12cm with wire</b>	1-9
1		HOUSING wire control right	
2		WIRE Control Arm	
3	62365-2	LEVER wire controll tilt PA Green	
4		SCREW TP 3.5x16 countersunk head	
5		SPRING PIN PRYM 3x8	
	82436	WIRE SET Tilt cpl	6-9
	82438	WIRE SET Tilt +12cm cpl	6-9
6		END SLEEVE M6 cover	
7	82469	WIRE 1500 RF	
	82497-5	COVER 1150 black standard for wire	8-9
	82497-7	COVER 1270 black +12 for wire	8-9
8		END SLEEVE plain 5-6	
9		COVER black 5 mm (std 1,15m / +12 1,27m)	
	<b>62361</b>	<b>WIRE CONTROL Back with wire</b>	10-22
	<b>62361-5</b>	<b>WIRE CONTROL Back +12cm with wire</b>	10-22
10		HOUSING wire control left	
11	62365-1	LEVER wire control back Grey	
12		WIRE Control Arm	
13		SCREW TP 3.5x16 countersunk head	
14		SPRING PIN PRYM 3x8	
	82435	WIRE SET Back cpl with wire sleeve	15-22
	82437	WIRE SET Back +12cm cpl with wire sleeve	15-22
	82435-7	WIRE SET Back standard	15-21
	82497-7	WIRE SET Back +12cm	15-21
15		WIRE Head	
16	81391	ADJUSTING SCREW M6	
17	81515	NUT ML6M M6 fzb	
18		END SLEEVE plain 5-6	
19		END SLEEVE M6 cover	
20		WIRE 1500 RF	
21		COVER tipp 1050 sv	
21		COVER black 5 mm 1,17m	
22	82449	WIRE SLEEVE M6	



Vajerreglage kpl

Denna ritning får ej kopieras eller överlätas utan tillstånd av HD Rehab AB



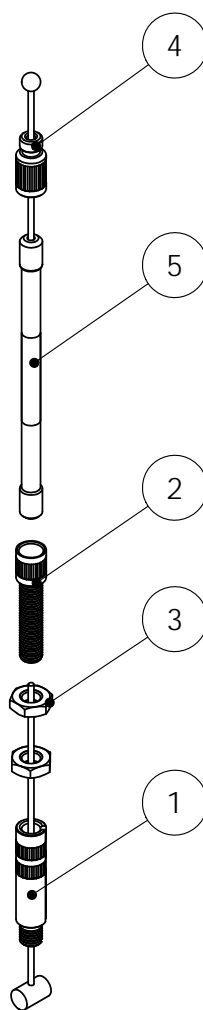
**Spare parts****HD Balance****C5.2**Refers to exploded view: **Wire Set Brake**  
C5.2 - rev. A

rev. 2015-08-30

Pos.	Art.no.	Description	Incl.
	<b>82445</b>	<b>WIRE SET BRAKE cpl with wire sleeve</b>	1-5
	<b>82447</b>	<b>WIRE SET BRAKE +12cm cpl with wire sleeve</b>	1-5
	<b>82449-1</b>	<b>WIRE SLEEVE M6 brass / 10 pcs</b>	1
	82445-6	WIRE SET BRAKE	2-5
	82447-6	WIRE SET BRAKE +12cm	2-5
1	82449	WIRE SLEEVE M6 brass	
2		ADJUSTING SCREW M6	
3		NUT ML6M M6 fzb	
4		END SLEEVE M6 cover	
5		WIRE SET brake standard	
5		WIRE SET brake +12cm	

Vajersats broms

Denna ritning får ej kopieras eller överlåtas utan tillstånd av HD Rehab AB



**Spare parts****HD Balance****C6.1**Refers to exploded view: **Bracket Thoracic support**

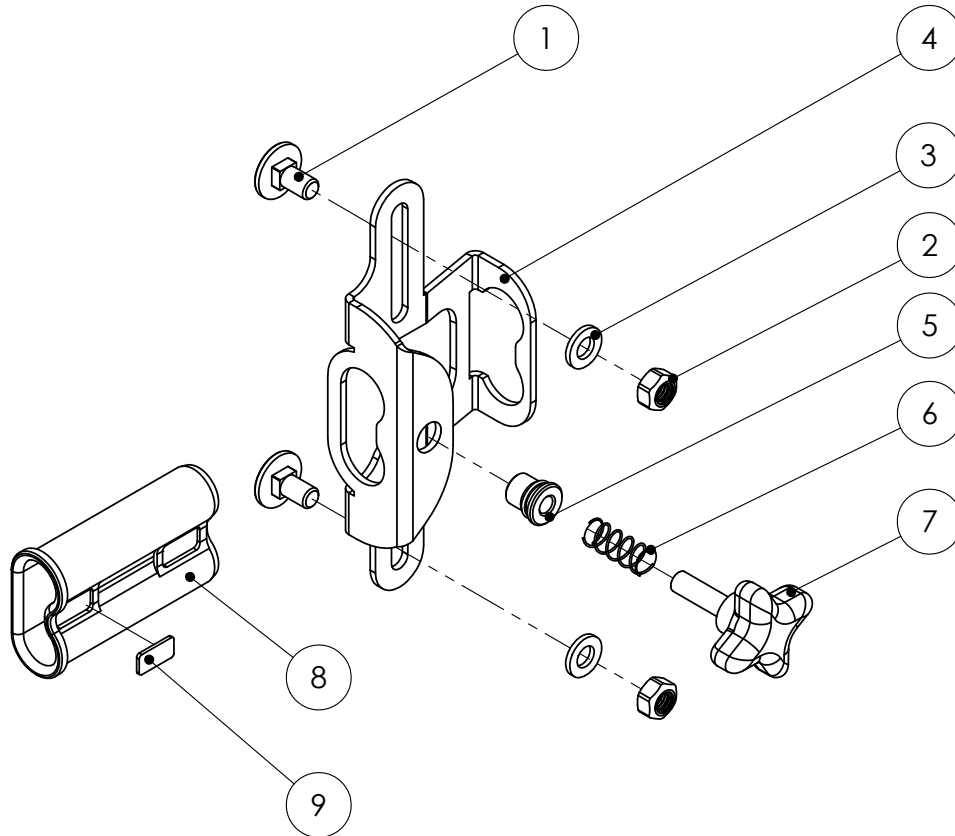
C6.1 - rev. A

rev. 2015-08-30

Pos.	Art.no.	Description	Incl.
	<b>69351-1</b>	<b>BRACKET THORACIC Support, set with screw</b>	<b>1-9</b>
		BRACKET Thoracic support	
1	81335	SCREW MVBF M6x12 FZB	
2	81522	LOCKING NUT M6	
3	81602	WASHER BRB6.4x12x1.5	
4		PLATE Bracket thoracic support	
5		THREADED Rivet M6 M6	
6	81869	SPRING	
7	81954	KNOB M6x20	
	82218-5	PROFILE Housing with press plate	8-9
8		PROFILE Housing	
9		PRESS Plate	

Bålstödsfäste

Denna ritning får ej kopieras eller överlåtas utan tillstånd av HD Rehab AB



**Spare parts****HD Balance****C7.1**Refers to exploded view: **Back Spacer & Bracket back frame**

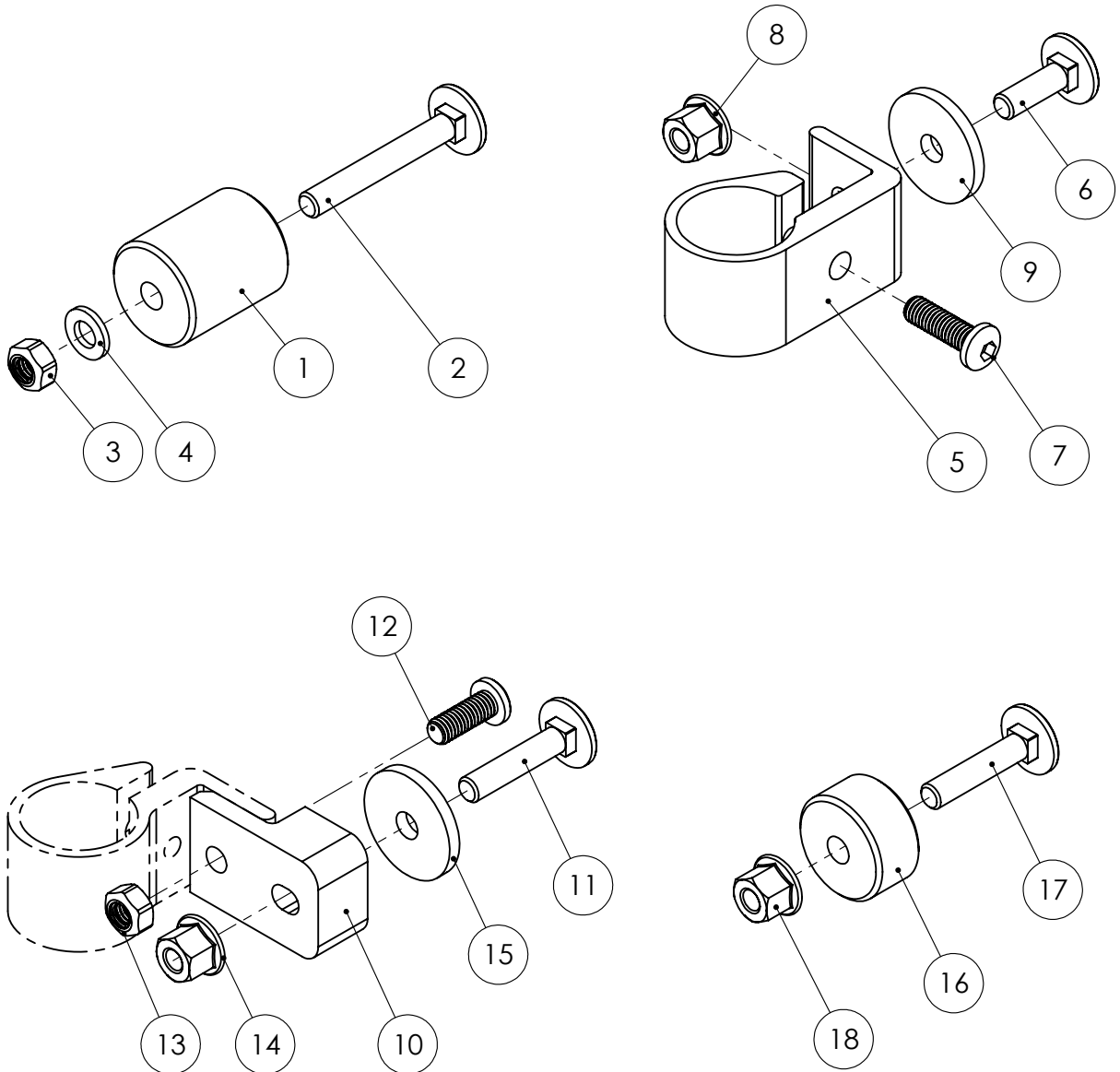
C7.1 - rev. B

rev. 2018-02-06

Pos.	Art.no.	Description	Incl.
	<b>69791-5</b>	<b>BACK SPACER Kit 30mm 4pcs with screw</b>	<b>1-4</b>
1		BACK SPACER 30mm	
2	81343	SCREW MVBF M6x45 FZB	
3	81522	LOCKING NUT M6	
4	81602	WASHER BRB6,4x12x1,5	
	<b>62238-1</b>	<b>BRACKET Back Frame Wide set +4 cm</b>	<b>5-9</b>
5		BRACKET vack frame Wide +4cm black	
6	81256	SCREW MVBF M6x20 SV	
7	81355	SCREW K6S M6x20 SV	
8	81545	LOCKING NUT DIN 6926 M6 high	
9	81671	WASHER plast 26x3x6,5	
	<b>62235-1</b>	<b>ADAPTER KIT Narrow back bracket -4 cm</b>	<b>10-15</b>
10		ADAPTER BLOCK Narrow backrest	
11	81212	SCREW MVBF M6x30 FZB	
12	81294	SCREW K6S M6x16 FZB	
13	81522	LOCKING NUT M6	
14	81545	LOCKING NUT DIN 6926 M6 high	
15	81671	WASHER plast 26x3x6,5	
	<b>69793-5</b>	<b>BACK SPACER Kit 13mm 4pcs with screw</b> (for adaptation 64299-8)	<b>16-18</b>
16		BACK SPACER 13mm	
17	81212	SCREW MVBF M6x30 FZB	
18	81545	LOCKING NUT DIN 6926 M6 high	

Ryggdistanser & Ryggöra bred/smälare rygg

Denna ritning får ej kopieras eller överlätas utan tillstånd av HD Rehab AB



**Spare parts****HD Balance****D1.1**Refers to exploded view: **Legrest Overview**

D1.1 - rev. A

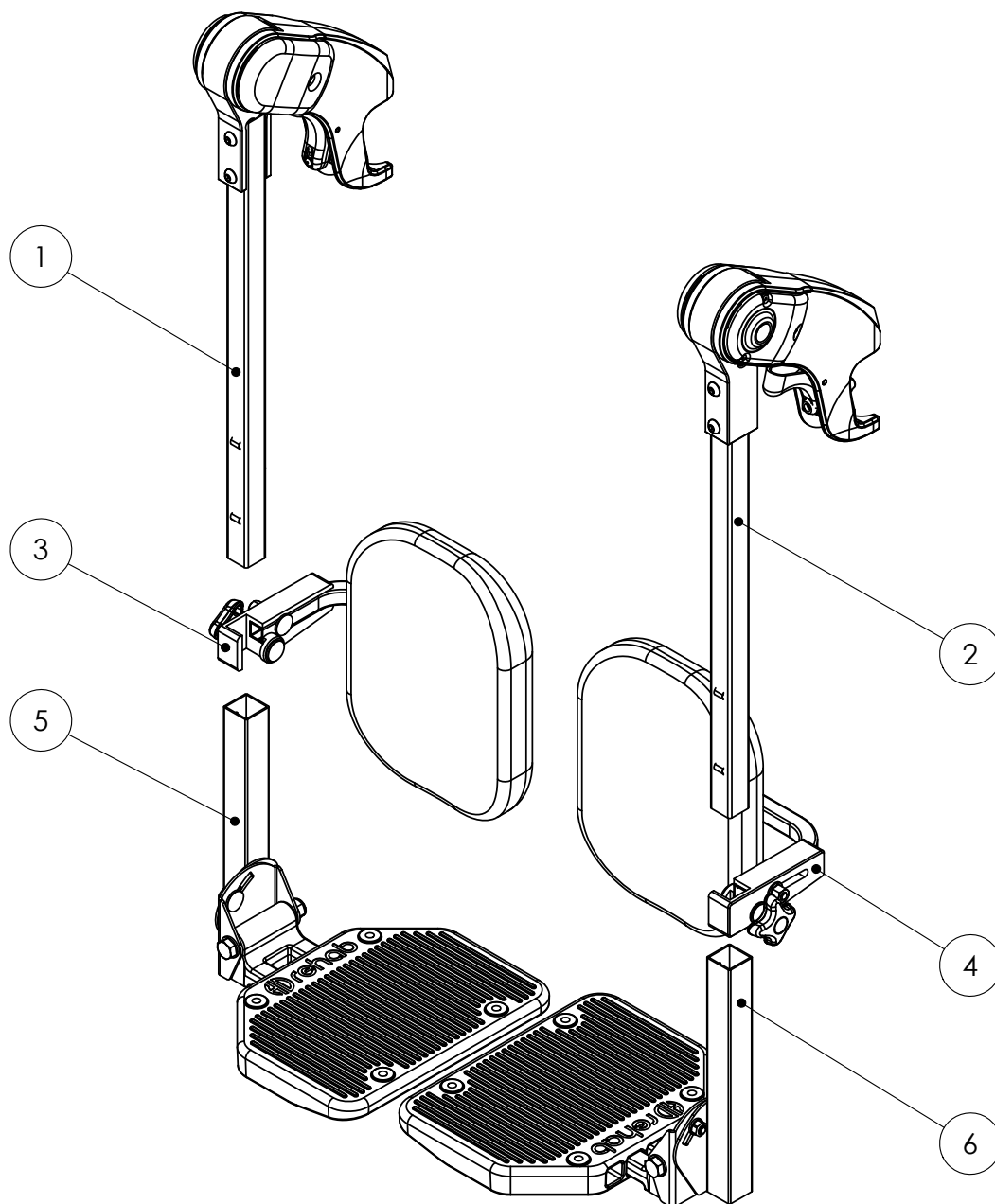
rev. 2015-08-30

Pos.	Art.no.	Description	
1		<b>LEGREST angle adjustable, right</b>	See page D1.2
2		<b>LEGREST angle adjustable, left</b>	See page D1.2
3		<b>CALF SUPPORT, right</b>	See page D2.1
4		<b>CALF SUPPORT, left</b>	See page D2.1
5		<b>FOOTREST, right</b>	See page D3.1
6		<b>FOOTREST, left</b>	See page D3.1



**Benstöd std sammanställning**

Denna ritning får ej kopieras eller överlåtas utan tillstånd av HD Rehab AB



**Spare parts****HD Balance****D1.2**

Refers to exploded view: Legrest angle adjustable

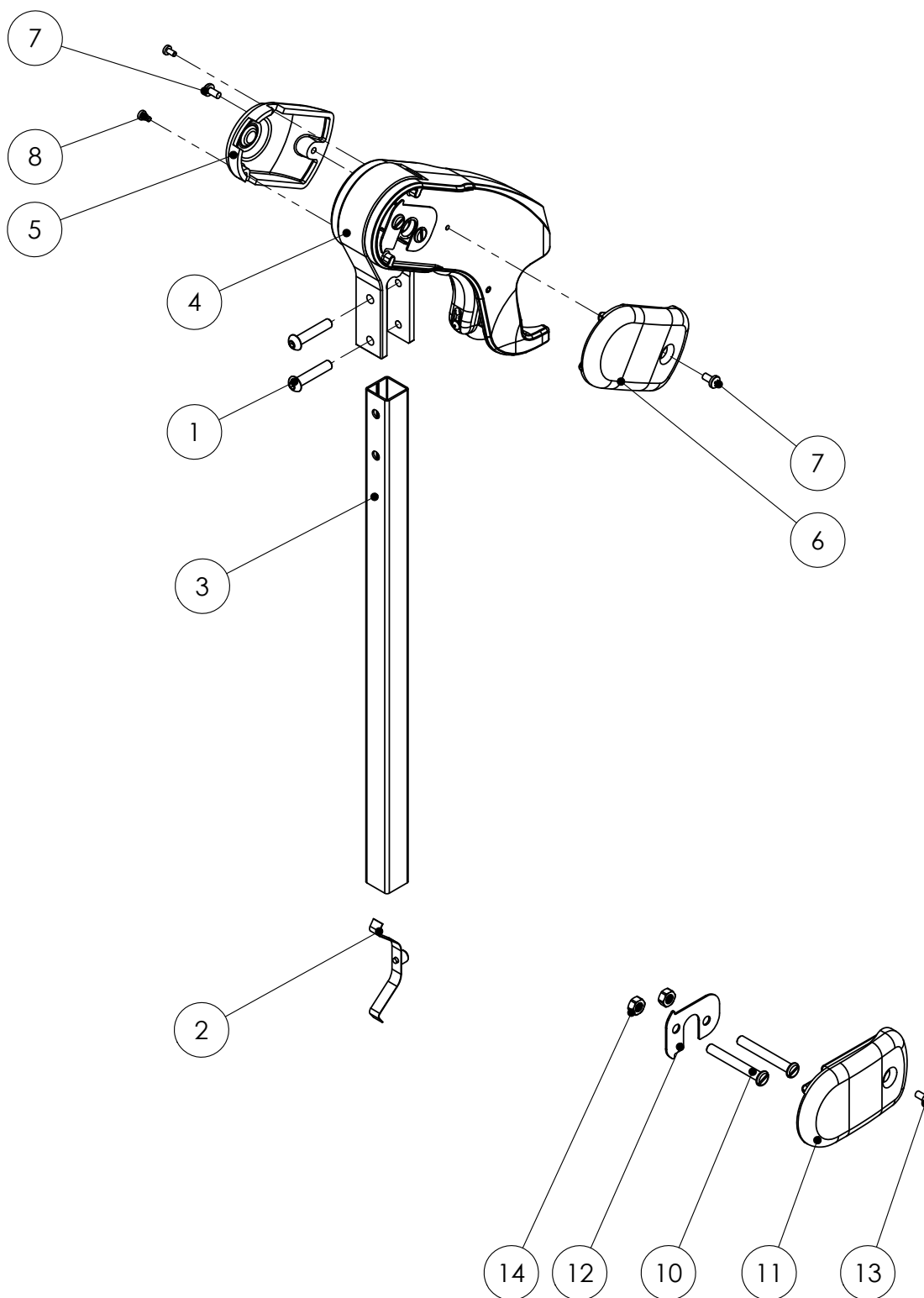
D1.2 - rev. B

rev. 2015-08-30

Pos.	Art.no.	Description	Incl.
	<b>62720</b>	<b>LEGREST angle adjustable Standard cpl right</b>	1-8
	<b>62725</b>	<b>LEGREST angle adjustable Standard cpl left</b>	1-8
	<b>62721</b>	<b>LEGREST angle adjustable Short cpl left</b>	1-8
	<b>62722</b>	<b>LEGREST angle adjustable Short cpl right</b>	1-8
	<b>62723</b>	<b>LEGREST angle adjustable Long cpl left</b>	1-8
	<b>62724</b>	<b>LEGREST angle adjustable Long cpl right</b>	1-8
	62728	TUBE Legrest standard angle adjustable with snap-in	2-3
	62727	TUBE Legrest short angle adjustable with snap-in	2-3
	62729	TUBE Legrest long angle adjustable with snap-in	2-3
	62731-5	KNEE JOINT cpl left	4-8 See page D1.4
	62732-5	KNEE JOINT cpl right	4-8 See page D1.4
1	81 340	SCREW K6S M6x30 FZB	
2	10790	LOCKING KNOB snap-in type 1	
3		TUBE Legrest standard	
3		TUBE Legrest short	
3		TUBE Legrest long	
4		KNEE JOINT left	
4		KNEE JOINT right	
5	62746-3	COVER Knee joint with printing, left	
5	62746-4	COVER Knee joint with printing, right	
	62746-1	COVER Knee joint mod. old left Expired 2015-05-11	
	62746-2	COVER Knee joint mod. old right Expired 2015-05-11	
6	63745-5	PAD Knee joint	
	62745-3	PAD Knee joint left Expired 2012-11-08	
	62745-4	PAD Knee joint right Expired 2012-11-08	
7	81152	SCREW MRX 4x8 sv.	
8	81156	SCREW MRX 3x6 sv.	
	<b>63745-1</b>	<b>CONVERSION Kit PAD knee joint</b>	10-14
		Used when changing PAD knee joint before batch.no. 121108	
10		SCREW fork knee joint mod. 2012	
11	63745-5	PAD Knee joint	
12		PLATE Knee joint	
13	81152	SCREW MRX 4x8 SV.	
14	81522	LOCKING NUT M6	

**Benstöd vinkelställbart**

Denna ritning får ej kopieras eller överlätas utan tillstånd av HD Rehab AB



**Spare parts****HD Balance****D1.3**

Refers to exploded view: Fixed Angle Legrest 90° &amp; 105°

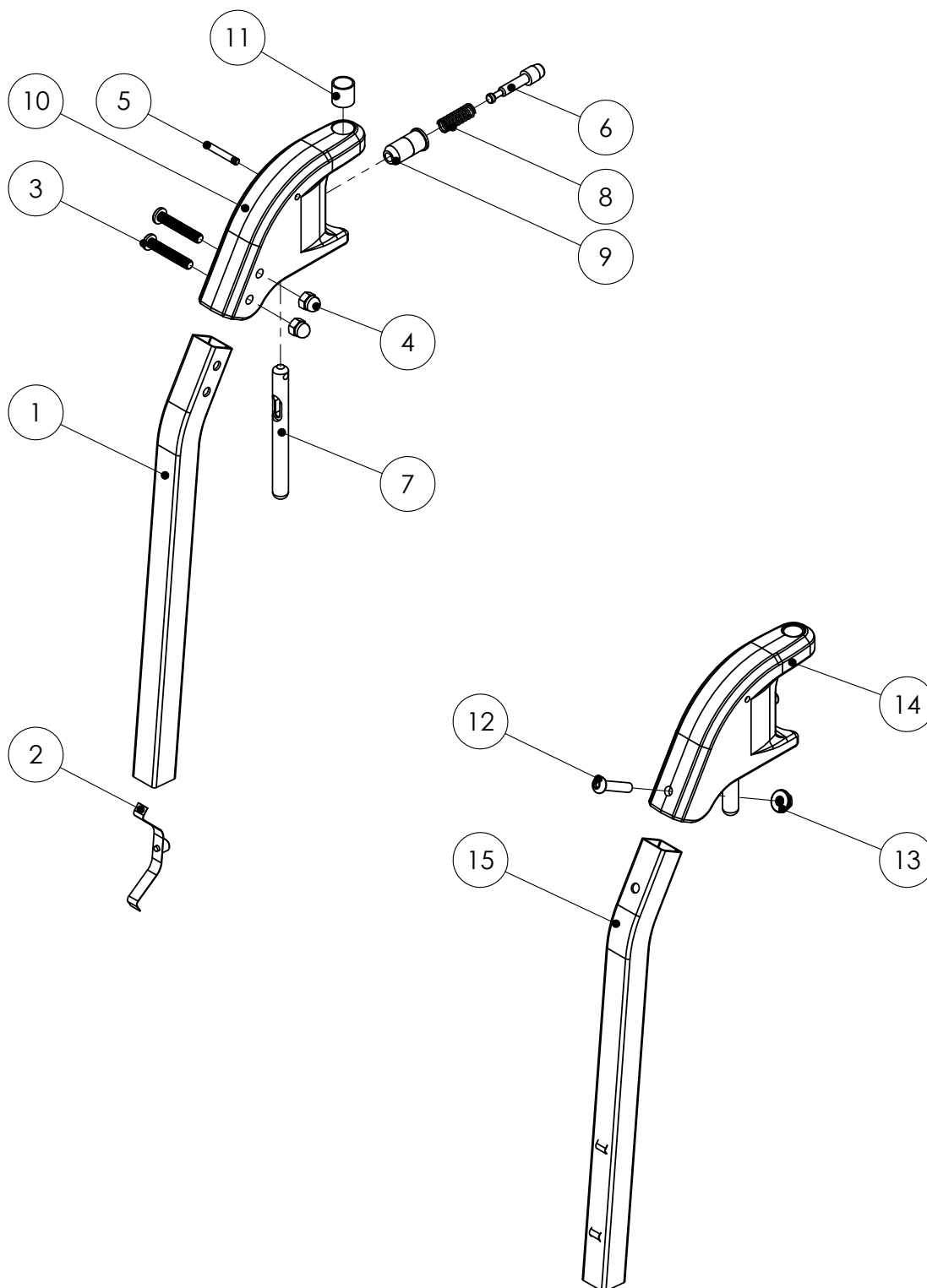
D1.3 - rev. B

rev. 2016-01-05

Pos.	Art.no.	Description	Incl.
	<b>63758-1</b>	<b>LEGREST Fixed 90° standard left</b>	1-11
	<b>63758-2</b>	<b>LEGREST Fixed 90° standard right</b>	1-11
	<b>63758-3</b>	<b>LEGREST Fixed 90° long left</b>	1-11
	<b>63758-4</b>	<b>LEGREST Fixed 90° long right</b>	1-11
	<b>63758-5</b>	<b>LEGREST Fixed 90° short left</b>	1-11
	<b>63758-6</b>	<b>LEGREST Fixed 90° short right</b>	1-11
	<b>63759-1</b>	<b>LEGREST Fixed 105° standard left</b>	1-11
	<b>63759-2</b>	<b>LEGREST Fixed 105° standard right</b>	1-11
	<b>63759-3</b>	<b>LEGREST Fixed 105° long left</b>	1-11
	<b>63759-4</b>	<b>LEGREST Fixed 105° long right</b>	1-11
	<b>63759-5</b>	<b>LEGREST Fixed 105° short left</b>	1-11
	<b>63759-6</b>	<b>LEGREST Fixed 105° short right</b>	1-11
		FASTENING cpl legrest fixed angle	5-11
1		TUBE Fixed 90° standard	
1		TUBE Fixed 90° long	
1		TUBE Fixed 90° short	
1		TUBE Fixed 105° standard	
1		TUBE Fixed 105° long	
1		TUBE Fixed 105° short	
2	10790	LOCKING Knob snap-in typ 1	
3	81344	SCREW K6S M6x35 sv.	
4	81529	NUT DIN 986 M6 fz	
5	62739-5	PIN Lock arm	
6		LOCK PIN Fixed legrest	
7		LEVER Release fixed legrest	
		FASTENING Fixed legrest with bushing	9-11
8		SPRING 2444	
9		SLEEVE Knee joint	
10		FASTENING fixed legrest	
11		BUSHING knee joint	
		<b>Pos. 12-15 shows the old fixed legrest that has expierd.</b>	
12	81340	SCREW K6S M6x30 FZB	
13	81547	LOCKING NUT DIN 6923 M6	
14		FASTENING Fixed legrest (Expierd)	
15		TUBE fixed 90° (Expierd)	
15		TUBE fixed 105° (Expierd)	

Benstöd fast vinkel 90° & 105°

Denna ritning får ej kopieras eller överlätas utan tillstånd av HD Rehab AB



**Spare parts****HD Balance****D1.4**Refers to exploded view: **Knee Joint**

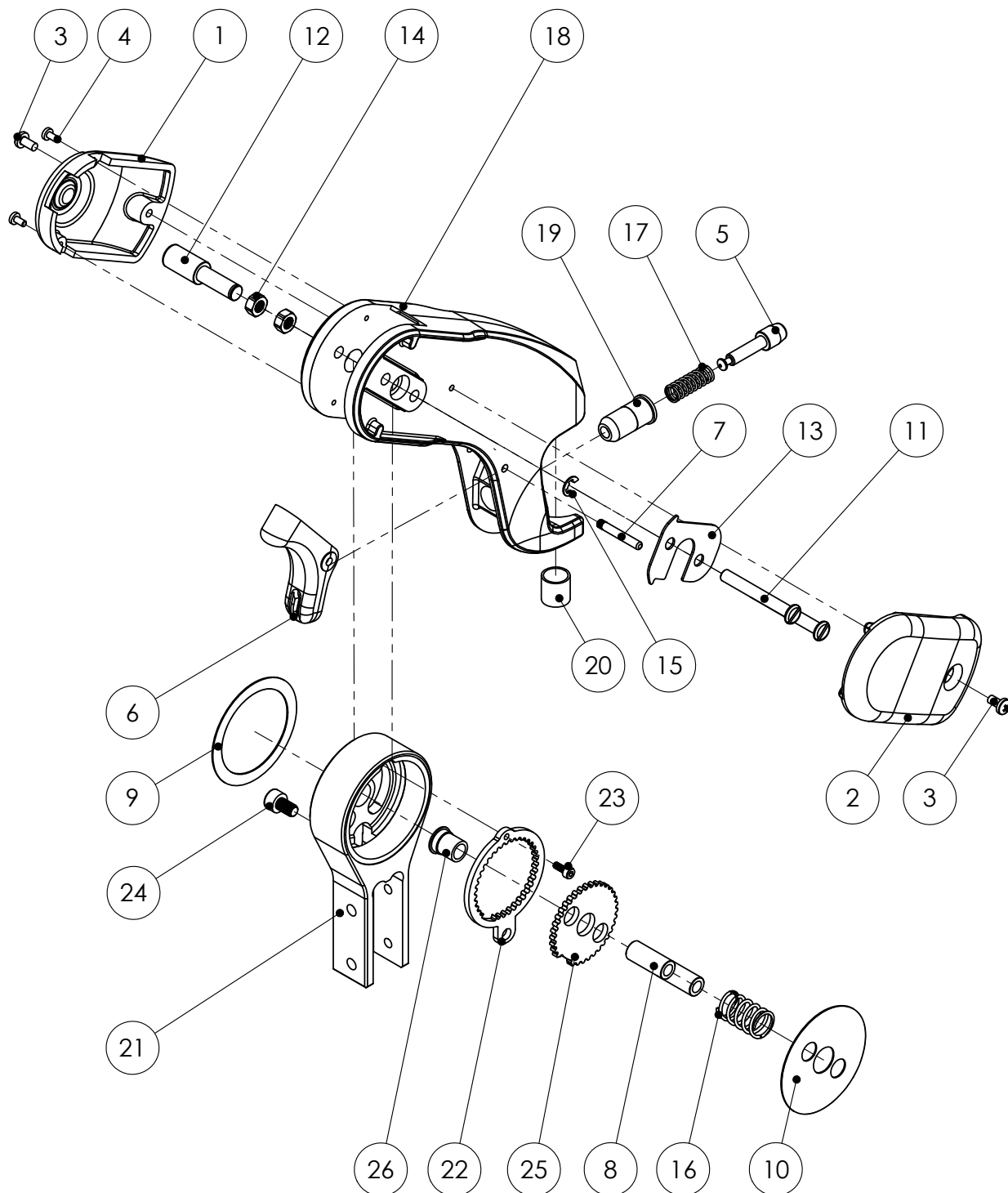
D1.4 - rev. B

rev. 2015-08-30

Pos.	Art.no.	Description	Incl.
	<b>62731-5</b>	<b>KNEE JOINT angle adjustable cpl left</b>	1-26
	<b>62732-5</b>	<b>KNEE JOINT angle adjustable cpl right</b>	1-26
		KNEE Joint angle adjustable left	5-26
		KNEE Joint angle adjustable right	5-26
1	62746-3	COVER Knee joint with printing left	See page D1.2
1	62746-4	COVER Knee joint with printing right	See page D1.2
2	63745-5	PAD Knee joint	See page D1.2
3	81152	SCREW MRX 4x8 sv.	See page D1.2
4	81156	SCREW MRX 3x6 sv.	See page D1.2
		FORK Knee joint cpl left	18-20
		FORK Knee joint cpl right	18-20
5		LOCKING PIN knee joint	
6		LOCK ARM knee joint	
7		PIN Lock arm	
		LINK Knee joint cpl left	21-24
		LINK Knee joint cpl right	21-24
		INNERKUGG kpl	25-26
8		SPACER Knee joint	
9		WASHER Knee joint	
10		WASHER Knee joint	
11		SCREW Knee joint	
12		PIN Knee joint	
13		PLATE Knee joint	
14		LOCKING NUT M6	
15		CIRCLIP RS-5	
16		SPRING legrest 2513	
17		SPRING legrest 2444	
18		FORK Knee Joint left	
18		FORK Knee Joint right	
19		BUSHING Knee Joint	
20		BUSHING Knee Joint	
21		LINK Knee Joint Left	
21		LINK Knee Joint Right	
22		EXTERNAL GEAR Knee Joint	
23		SCREW MC6S M3x8 FZB	
24		SCREW MC6S M6x10	
25		INTERNAL GEAR Knee Joint	
26		INTERNAL BUSHING Knee Joint	

Knäled vinkelställbar

Denna ritning får ej kopieras eller överlämnas utan tillstånd av HD Rehab AB



**Spare parts****HD Balance****D1.5**Refers to exploded view: **Knee Joint Releasable**

D1.5 - rev. A

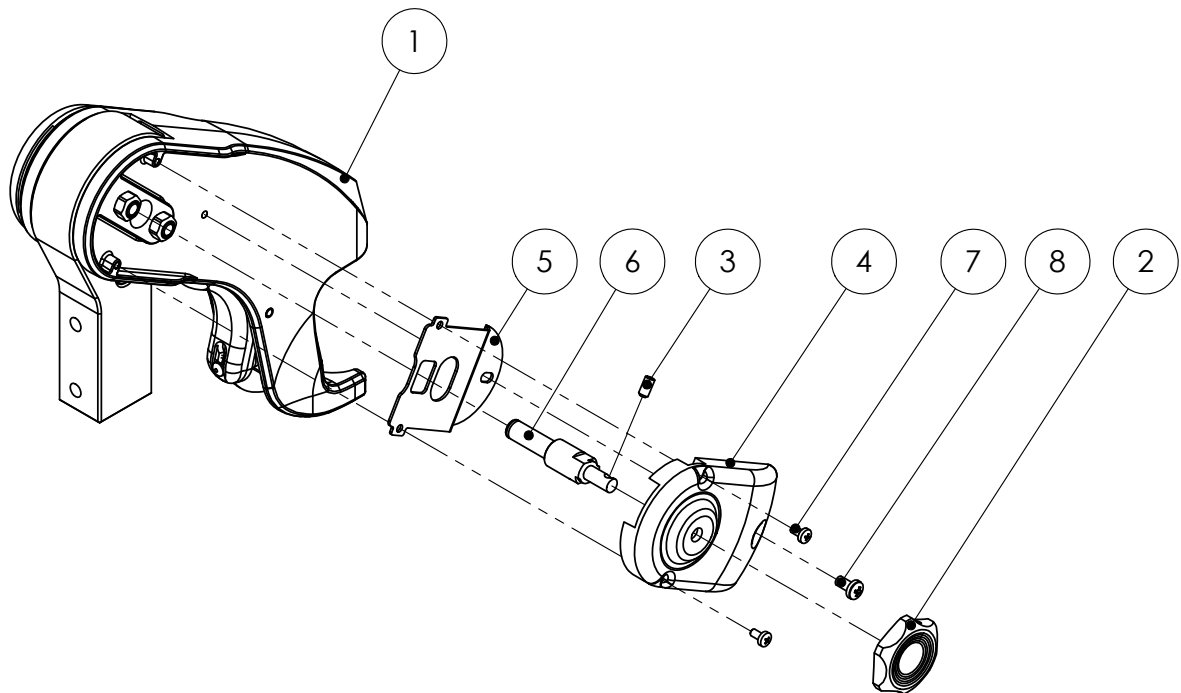
rev. 2015-08-30

Pos.	Art.no.	Description	Incl.
	<b>62733-5</b>	<b>KNEE JOINT Releasable cpl left</b>	1-7
		<b>KNEE JOINT Releasable cpl right</b>	1-7
1		KNEE JOINT left	See page D1.4
1		KNEE JOINT right	See page D1.4
2		RELEASE KNOBB	
3		SCREW P6SS 4x8	
4	62747-1	COVER Knee joint Left	
4	62747-2	COVER Knee joint Right	
5		PLATE Knee joint releasable	
6		PIN Knee joint releasable	
7	81156	SCREW MRX 3.6 SV.	
8	81152	SCREW MRX 4x8 SV.	



**Knäled Frikopplingsbar**

Denna ritning får ej kopieras eller överlämnas utan tillstånd av HD Rehab AB



**Spare parts****HD Balance****D2.1**Refers to exploded view: **Calf support, separate**

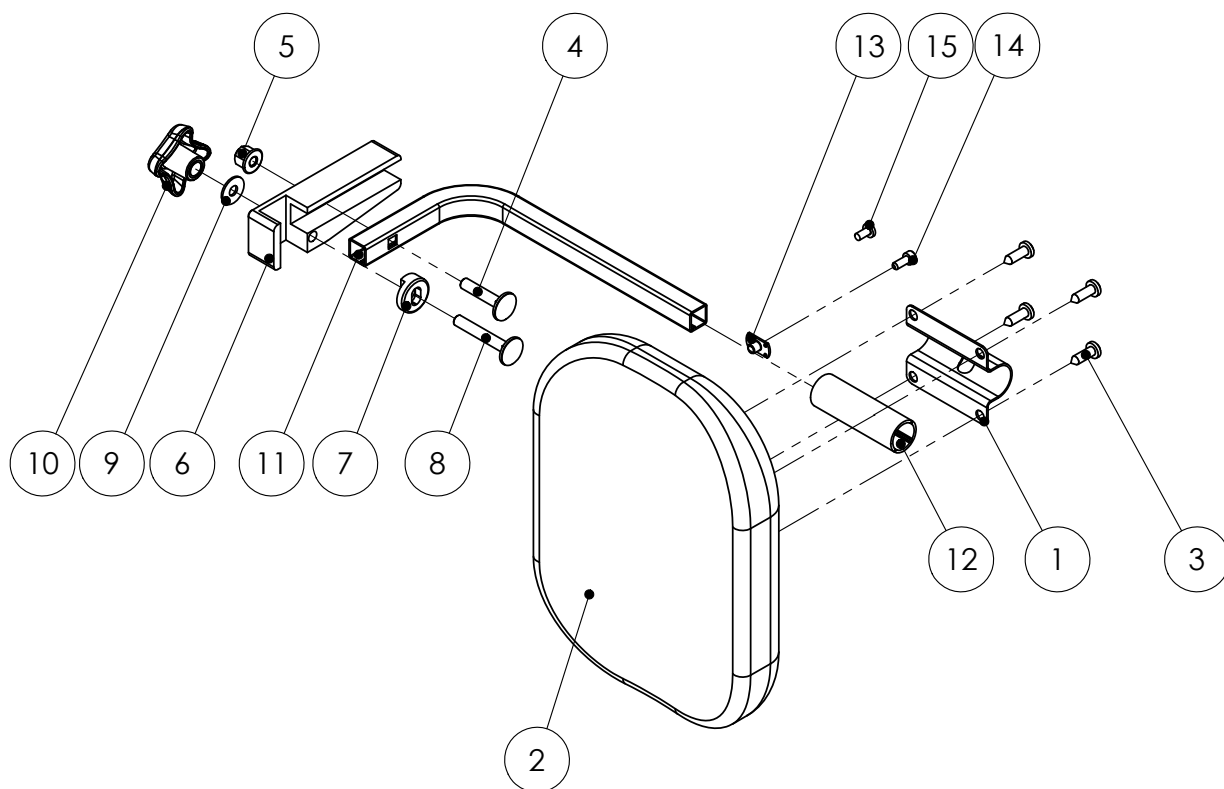
D2.1 - rev. B

rev. 2015-06-30

Pos.	Art.no.	Description	Incl.
	<b>62801</b>	<b>CALF SUPPORT adjustable depth sw38 left</b>	1-14
	<b>62802</b>	<b>CALF SUPPORT adjustable depth sw38 right</b>	1-14
	<b>63801</b>	<b>CALF SUPPORT adjustable depth sw42 left</b>	1-14
	<b>63802</b>	<b>CALF SUPPORT adjustable depth sw42 right</b>	1-14
	<b>64801</b>	<b>CALF SUPPORT adjustable depth sw46 left</b>	1-14
	<b>64802</b>	<b>CALF SUPPORT adjustable depth sw46 right</b>	1-14
	<b>65801</b>	<b>CALF SUPPORT adjustable depth sw50 left</b>	1-14
	<b>65802</b>	<b>CALF SUPPORT adjustable depth sw50 right</b>	1-14
	62820-1	HOLDER, Calf Pad sw38 left	4-14
	62820-2	HOLDER, Calf Pad sw38 right	4-14
	63820-1	HOLDER, Calf Pad sw42-46 left	4-14
	63820-2	HOLDER, Calf Pad sw42-46 right	4-14
	65820-1	HOLDER, Calf Pad sw50 left	4-14
	65820-2	HOLDER, Calf Pad sw50 right	4-14
1	63836	BRACE, Calf Pad	
2	62841-1	CALF PAD Separate sw38, Soft	
2	49271	COVER Calf Pad sw38, Soft	
2	63841-1	CALF PAD Separate sw42, Soft	
2	49371	COVER Calf Pad sw42, Soft	
2	64841-1	CALF PAD Separate sw46-50, Soft	
2	49471	COVER Calf Pad sw46-50, Soft	
3	81427	SCREW wood 5x16 poz	
	63821-1	BRACKET, Calf Pad with lock device cpl, left	6-10
	63822-1	BRACKET, Calf Pad with lock device cpl, right	6-10
	62831-1	BEND, Calf Pad with housing cpl sw38	11-14
	63831-1	BEND, Calf Pad with housing cpl sw42-46	11-14
	65831-1	BEND, Calf Pad with housing cpl sw50	11-14
4	81212	SCREW MVBF M6x30 fzb	
5	81545	NUT DIN 6926 M6	
6		BRACKET, Calf support left	
6		BRACKET, Calf support right	
7	63826-1	WASHER Calf Pad bracket	
8	81352	SCREW MVBF M6x40 fzb	
9	81607	WASHER NB 6x16x1 fzb	
10	81952-5	KNOB M6 Braga 40x23	
11		BEND, Calf Pad sw38	
11		BEND, Calf Pad sw42-46	
11		BEND, Calf Pad sw50	
12	63838	HOUSING, Calf Pad	
13	81538	WELD NUT M4 SMRP	after 150601
14	81237	SCREW MC6S M4x10 fzb	after 150601
15	81154	SCREW MRX 4x8 spiral	before 150601

Vadstöd delat standard

Denna ritning får ej kopieras eller överlämnas utan tillstånd av HD Rehab AB



**Spare part****HD Balance****D2.2**

Refers to exploded view: Calf support, separate +30 &amp; +50 extra depth

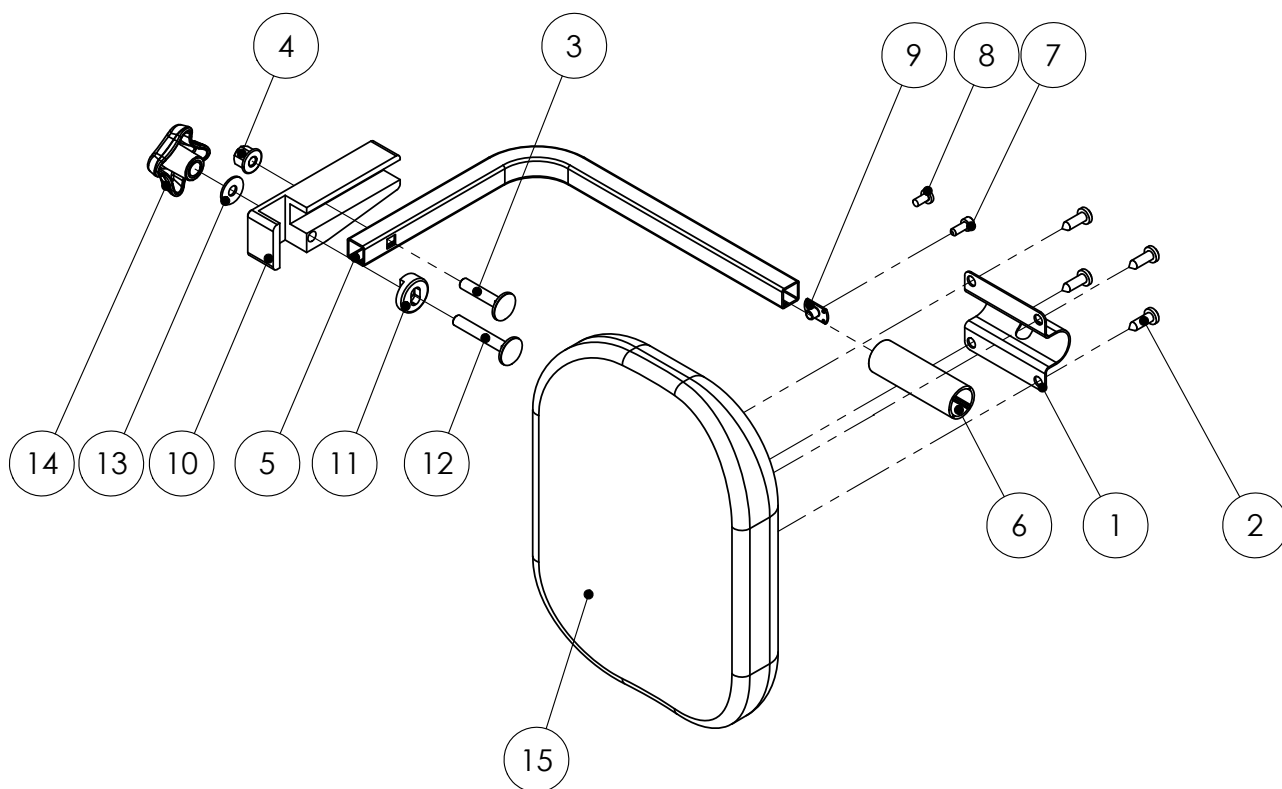
D2.2 - rev. A

rev. 2015-06-30

Pos.	Art.no.	Description	Incl.
	<b>62803</b>	<b>CALF SUPPORT +30mm sw38 left</b>	1-15
	<b>62804</b>	<b>CALF SUPPORT +30mm sw38 right</b>	1-15
	<b>63803</b>	<b>CALF SUPPORT +30mm sw42 left</b>	1-15
	<b>63804</b>	<b>CALF SUPPORT +30mm sw42 right</b>	1-15
	<b>64803</b>	<b>CALF SUPPORT +30mm sw46 left</b>	1-15
	<b>64804</b>	<b>CALF SUPPORT +30mm sw46 right</b>	1-15
	<b>65803</b>	<b>CALF SUPPORT +30mm sw50 left</b>	1-15
	<b>65804</b>	<b>CALF SUPPORT +30mm sw50 right</b>	1-15
	<b>62805</b>	<b>CALF SUPPORT 50mm sw38 left</b>	1-15
	<b>62806</b>	<b>CALF SUPPORT 50mm sw38 right</b>	1-15
	<b>63805</b>	<b>CALF SUPPORT 50mm sw42 left</b>	1-15
	<b>63806</b>	<b>CALF SUPPORT 50mm sw42 right</b>	1-15
	<b>64805</b>	<b>CALF SUPPORT 50mm sw46 left</b>	1-15
	<b>64806</b>	<b>CALF SUPPORT 50mm sw46 right</b>	1-15
	<b>65805</b>	<b>CALF SUPPORT 50mm sw50 left</b>	1-15
	<b>65806</b>	<b>CALF SUPPORT 50mm sw50 right</b>	1-15
	62841-1	CALF PAD separate sw38, Soft	15
	63841-1	CALF PAD separate sw42, Soft	15
	64841-1	CALF PAD separate sw46-50, Soft	15
1	63836	BRACE, Calf Pad	
2	81427	SCREW wood 5x16 poz	
	62832-1	BEND, calf pad +30 with housing sw38	5-9
	63832-1	BEND, calf pad +30 with housing sw42-46	5-9
	65832-1	BEND, calf pad +30 with housing sw50	5-9
	62833-1	BEND, calf pad +50 with housing sw38	5-9
	63833-1	BEND, calf pad +50 with housing sw42-46	5-9
	65833-1	BEND, calf pad +50 with housing sw50	5-9
	63821-1	BRACKET, calf pad with lock device, left	10-14
	63822-1	BRACKET, calf pad with lock device, right	10-14
3	81212	SCREW MVBF M6x30 FZB	
4	81545	NUT DIN 6926 M6	
5		BEND, calf pad +30 sw38	
5		BEND, calf pad +30 sw42-46	
5		BEND, calf pad +30 sw50	
5		BEND, calf pad +50 sw38	
5		BEND, calf pad +50 sw42-46	
5		BEND, calf pad +50 sw50	
6	63838	HOUSING, calf pad	
7	81237	SCREW MC6S M4x10 FZB	after 150601
8	81154	SCREW MRX 4x8 spiral	before 150601
9	81538	WELD NUT M4	after 150601
10		BRACKET, calf support left	
10		BRACKET, calf support right	
11	63826-1	WASHER calf pad bracket	
12	81352	SCREW MVBF M6x40 FZB	
13	81607	WASHER NB 6x16x1 FZB	
14	81952-5	KNOB M6 40x23	
15	49271	COVER calf pad sw38	
15	49371	COVER calf pad sw42	
15	49471	COVER calf pad sw46-50	

Vadstöd delat +30 & +50 extra djup

Denna ritning får ej kopieras eller överlämnas utan tillstånd av HD Rehab AB



**Spare parts****HD Balance****D2.3**Refers to exploded view: **Calf Support one piece**

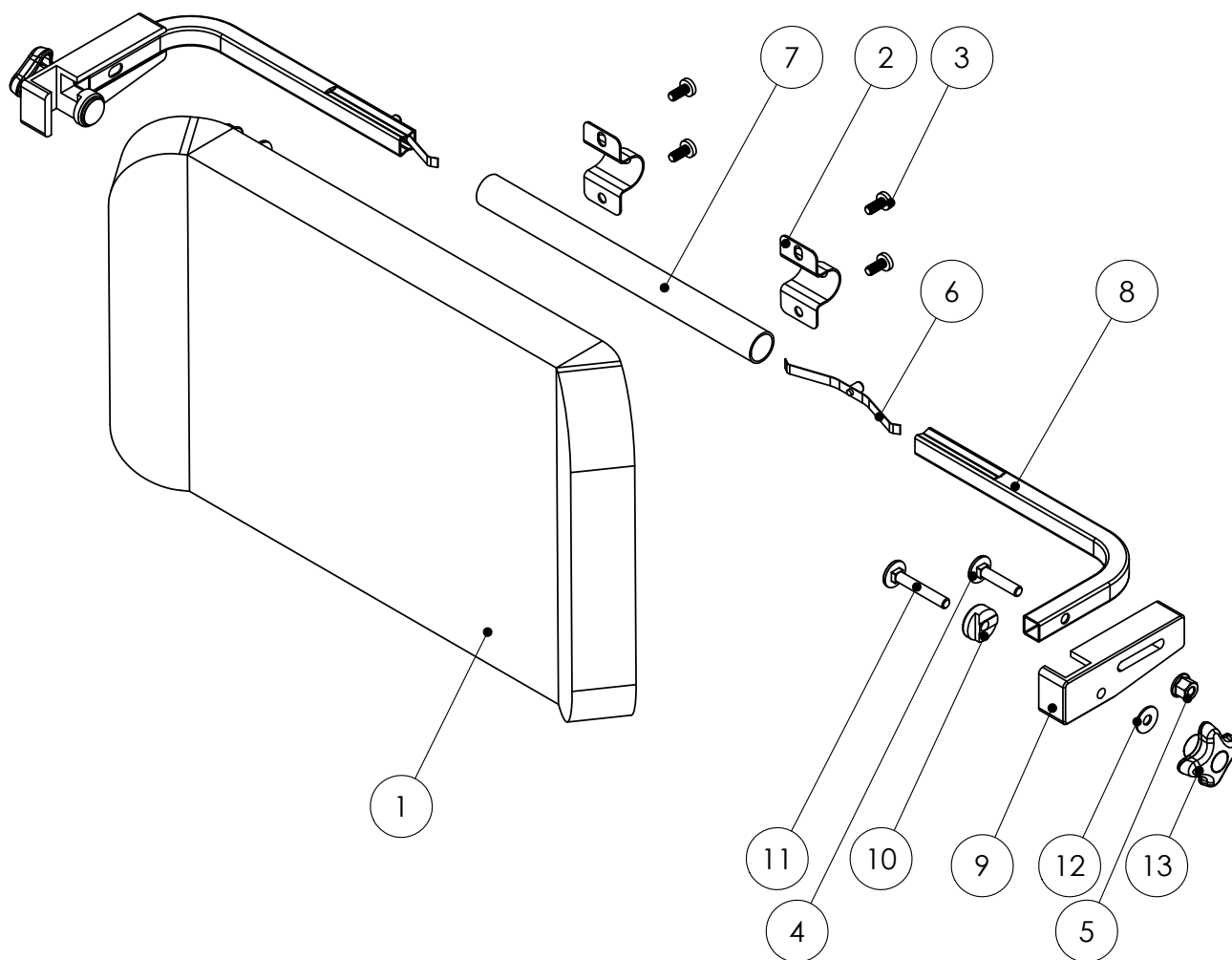
D2.3 - rev. A

rev. 2015-06-30

Pos.	Art.no.	Description	Incl.
	62811	CALF SUPPORT one piece sw38	1-13
	63811	CALF SUPPORT one piece sw42	1-13
	64811	CALF SUPPORT one piece sw46	1-13
	65811	CALF SUPPORT one piece sw50	1-13
		TUBE Calf Support one piece cpl sw38	6-8
		TUBE Calf Support one piece cpl sw42	6-8
		TUBE Calf Support one piece cpl sw46	6-8
		TUBE Calf Support one piece cpl sw50	6-8
1	62865-1	CALF PAD one piece sw38, Soft	
1		COVER Calf Pad one piece sw38, Soft	
1	63865-1	CALF PAD one piece sw42, Soft	
1		COVER Calf Pad one piece sw42, Soft	
1	64865-1	CALF PAD one piece sw46, Soft	
1		COVER Calf Pad one piece sw46, Soft	
1	65865-1	CALF PAD one piece sw50, Soft	
1		COVER Calf Pad one piece sw50, Soft	
2		BRACE Calf Support one piece	
	63821-1	BRACKET Calf Pad with locking device left	9-13
	63822-1	BRACKET Calf Pad with locking device right	9-13
3	81110	SCREW MRX M5x12 SV	
4	81212	SCREW MVBF M6x30 FZB	
5	81545	NUT DIN 6926 M6 high	
6	12935	LOCKING KNOB	
7		TUBE Calf Support one piece sw38	
7		TUBE Calf Support one piece sw42	
7		TUBE Calf Support one piece sw46	
7		TUBE Calf Support one piece sw50	
8		BEND Calf Pad one piece	
9		BRACKET Calf Support left	
9		BRACKET Calf Support right	
10	63826-1	WASHER Calf Pad Bracket	
11	81352	SCREW MVBF M6x40 FZB	
12	81607	WASHER NB 6x16x1 FZB	
13	81952-5	KNOB M6 Braga 40x23	

Vadstöd Helt

Denna ritning får ej kopieras eller överlätas utan tillstånd av HD Rehab AB



**Spare parts****HD Balance****D2.4**

Refers to exploded view: **Calf Support one piece**  
D2.4 - rev. A

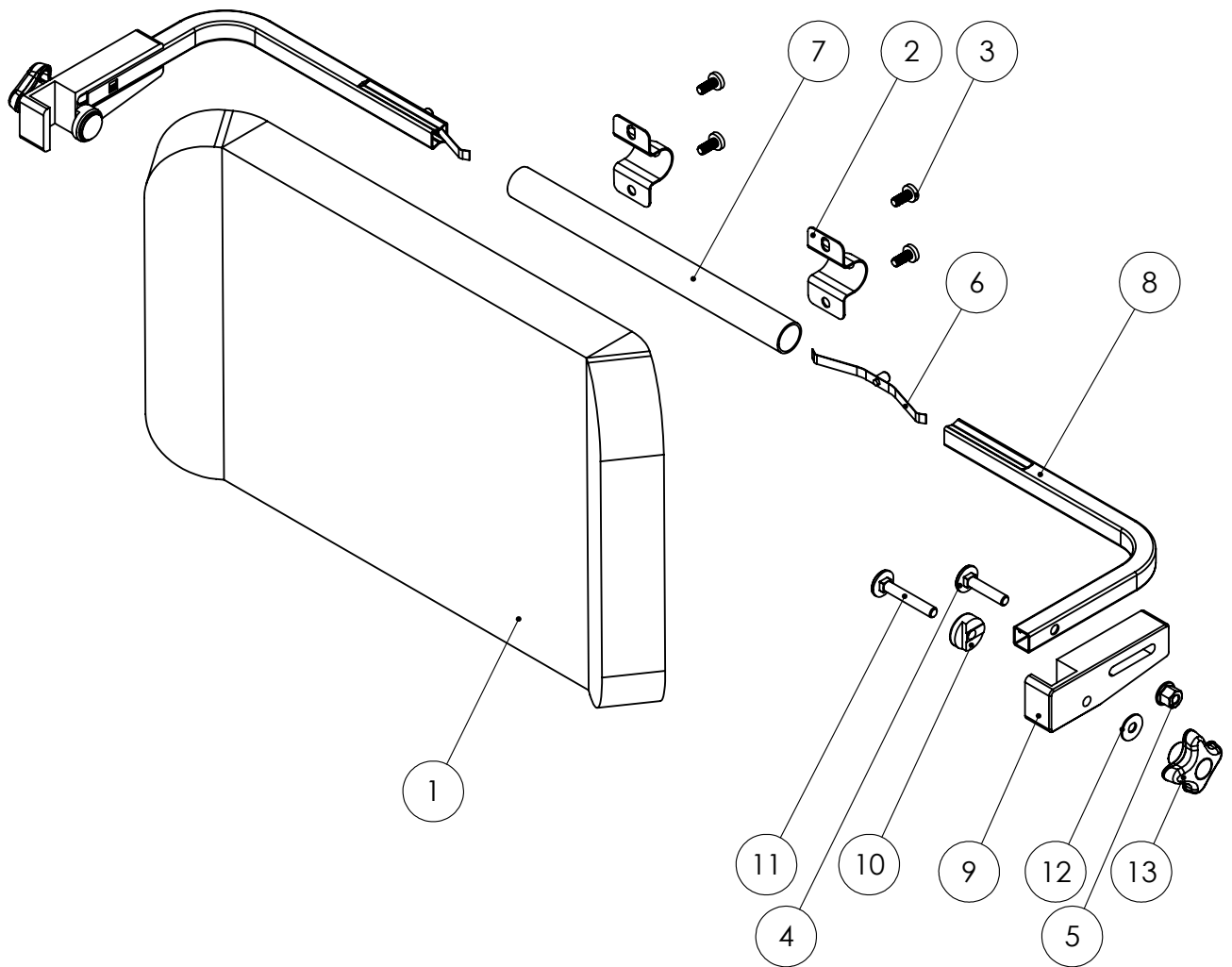
rev. 2018-02- 26

Pos.	Art.no.	Description	Incl.
	<b>62812</b>	<b>CALF SUPPORT one piece sw38 +30mm</b>	1-13
	<b>63812</b>	<b>CALF SUPPORT one piece sw42 +30mm</b>	1-13
	<b>64812</b>	<b>CALF SUPPORT one piece sw46 +30mm</b>	1-13
	<b>65812</b>	<b>CALF SUPPORT one piece sw50 +30mm</b>	1-13
		TUBE Calf Support one piece sw38 +30mm	6-8
		TUBE Calf Support one piece sw42 +30mm	6-8
		TUBE Calf Support one piece sw46 +30mm	6-8
		TUBE Calf Support one piece sw50 +30mm	6-8
1	62865-1	CALF PAD one piece sw38, Soft	
1		COVER Calf Pad one piece sw38, Soft	
1	63865-1	CALF PAD one piece sw42, Soft	
1		COVER Calf Pad one piece sw42, Soft	
1	64865-1	CALF PAD one piece sw46, Soft	
1		COVER Calf Pad one piece sw46, Soft	
1	65865-1	CALF PAD one piece sw50, Soft	
1		COVER Calf Pad one piece sw50, Soft	
2		BRACE Calf Support one piece	
	63821-1	BRACKET Calf Pad with locking device left	9-13
	63822-1	BRACKET Calf Pad with locking device right	9-13
3	81110	SCREW MRX M5x12 SV	
4	81212	SCREW MVBF M6x30 FZB	
5	81545	NUT DIN 6926 M6 high	
6	12935	LOCKING KNOB	
7		TUBE Calf Support sw38	
7		TUBE Calf Support sw42	
7		TUBE Calf Support sw46	
7		TUBE Calf Support sw50	
8		BEND Calf Pad one piece +30	
9		BRACKET Calf Support left	
9		BRACKET Calf Support right	
10	63826-1	WASHER Calf Pad Bracket	
11	81352	SCREW MVBF M6x40 FZB	
12	81607	WASHER NB 6x16x1 FZB	
13	81952-5	KNOB M6 40x23	



Vadstöd Helt +30

Denna ritning får ej kopieras eller överlätas utan tillstånd av HD Rehab AB



**Spare parts****HD Balance****D2.5**Refers to exploded view: **Calf Panel & Calf Strap**

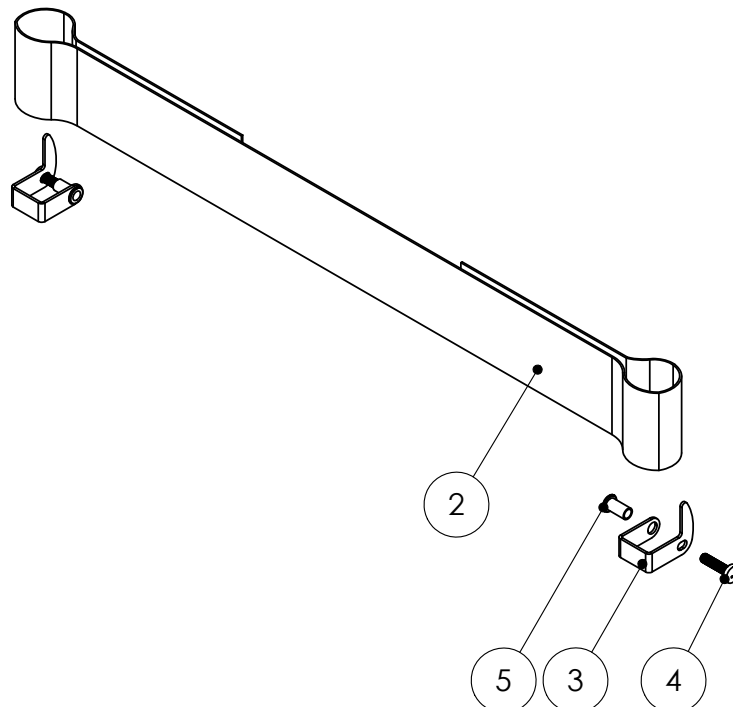
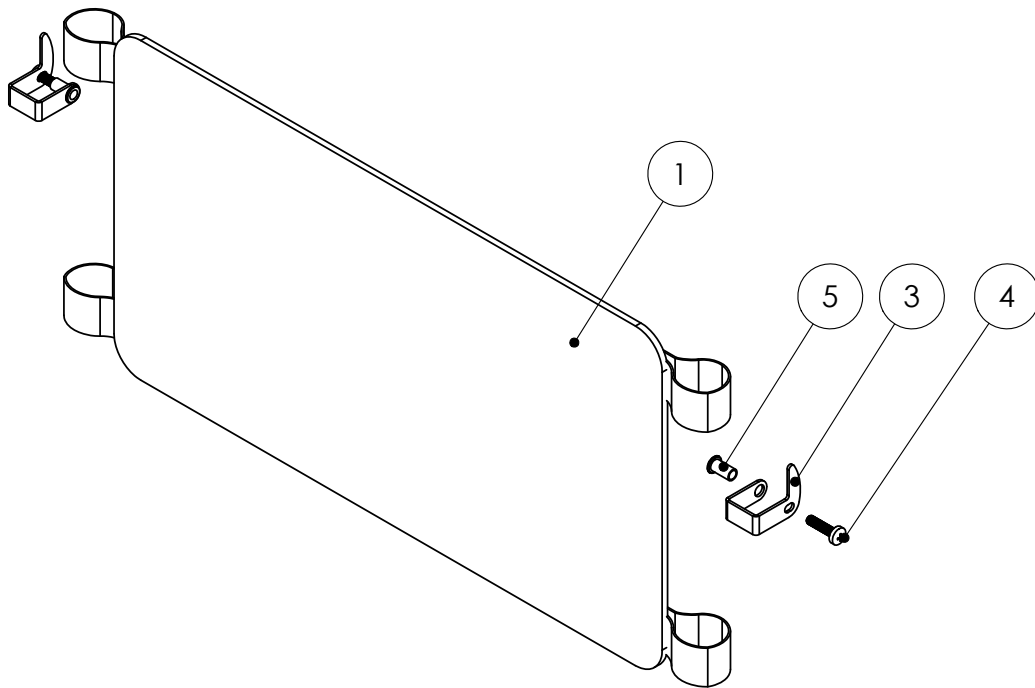
D2.5 - rev. A

rev. 2015-06-30

Pos.	Art.no.	Description	Incl.
	<b>63891-5</b>	<b>CALF PANEL sw38-42 incl. Brackets</b>	<b>1 + 3-5</b>
	<b>65891-5</b>	<b>CALF PANEL sw46-50 incl. Brackets</b>	
	<b>63892-5</b>	<b>CALF STRAP sw38-50 incl. Brackets</b>	<b>2-5</b>
	<b>63895</b>	<b>BRACKETS Calf Panel/Calf Strap cpl 2pcs</b>	<b>3-5</b>
1	63891	CALF PANEL sw38-42	
1	65891	CALF PANEL sw46-50	
2	63892	CALF STRAP sw38-50	
		BRACKET Calf Strap/Panel cpl left	3-5
		BRACKET Calf Strap/Panel cpl right	3-5
3		BRACKET Calf Strap left	
3		BRACKET Calf Strap right	
4		SCREW MRX 5x20 FZB	
5		BLIND RIVET M5	

**Vadband & Vadmatta**

Denna ritning får ej kopieras eller överlämnas utan tillstånd av HD Rehab AB



**Spare parts****HD Balance****D3.1**

Refers to exploded view: Footrest, separate

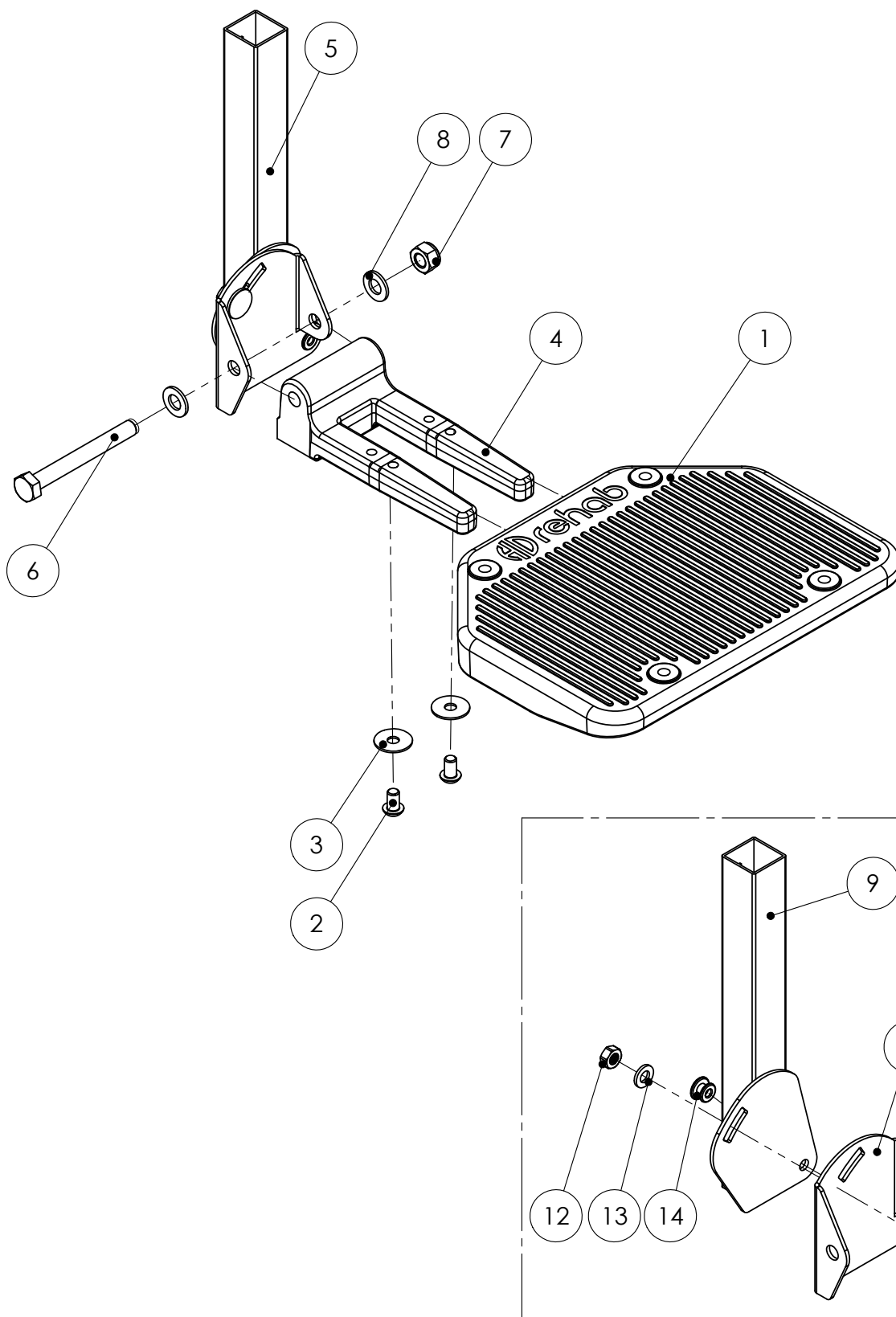
D3.1 - rev. A

rev. 2015-08-30

Pos.	Art.no.	Description	Incl.
	<b>62908</b>	<b>FOOTREST Standard sw38 Right</b>	
	<b>62909</b>	<b>FOOTREST Standard sw38 Left</b>	
	<b>63908</b>	<b>FOOTREST Standard sw42 Right</b>	
	<b>63909</b>	<b>FOOTREST Standard sw42 Left</b>	
	<b>64908</b>	<b>FOOTREST Standard sw46 Right</b>	
	<b>64909</b>	<b>FOOTREST Standard sw46 Left</b>	
	<b>65908</b>	<b>FOOTREST Standard sw50 Right</b>	
	<b>65909</b>	<b>FOOTREST Standard sw50 Left</b>	
	<b>62903</b>	<b>FOOTREST Short sw38 Left</b>	
	<b>62904</b>	<b>FOOTREST Short sw38 Right</b>	
	<b>63903</b>	<b>FOOTREST Short sw42 Left</b>	
	<b>63904</b>	<b>FOOTREST Short sw42 Right</b>	
	<b>64903</b>	<b>FOOTREST Short sw46 Left</b>	
	<b>64904</b>	<b>FOOTREST Short sw46 Right</b>	
	<b>65903</b>	<b>FOOTREST Short sw50 Left</b>	
	<b>65904</b>	<b>FOOTREST Short sw50 Right</b>	
1	62923	FOOTPLATE sw38-42 black	
1	64923	FOOTPLATE sw46-50 black	
	63940	HOLDER FOOTPLATE Standard with fork right	4-8
	63945	HOLDER FOOTPLATE Standard with fork left	4-8
	62940	HOLDER FOOTPLATE Short with fork right	4-8
	62945	HOLDER FOOTPLATE Short with fork left	4-8
2	81354	SCREW K6S M6x12 sv.	
3	81655	WASHER M6 6.4x18x1.6 DIN 9021 black	
4		FORK Footplate	
5		HOLDER Footplate Standard without fork right	9-14
5		HOLDER Footplate Standard without fork left	9-14
5		HOLDER Footplate Short without fork right	9-14
5		HOLDER Footplate Short without fork left	9-14
6	81208	SCREW M6S M8x70	
7	81523	LOCKING NUT M8 fzb	
8	81603	WASHER BRB8.4x16x1.5	
9		HOLDER Footplate Standard right	
9		HOLDER Footplate Standard left	
9		HOLDER Footplate Short right	
9		HOLDER Footplate Short left	
10		PLATE Footplate right	
10		PLATE Footplate left	
11	81335	SCREW MVBF M6x12 fzb	
12	81522	LOCKING NUT M6	
13	81602	WASHER BRB6.4x12x1.5	
14		TUBULAR RIVET PHN 6x11 brass	

Fotstöd delat

Denna ritning får ej kopieras eller överlämnas utan tillstånd av HD Rehab AB



**Spare parts****HD Balance****D3.2**

Refers to exploded view: Footrest one piece

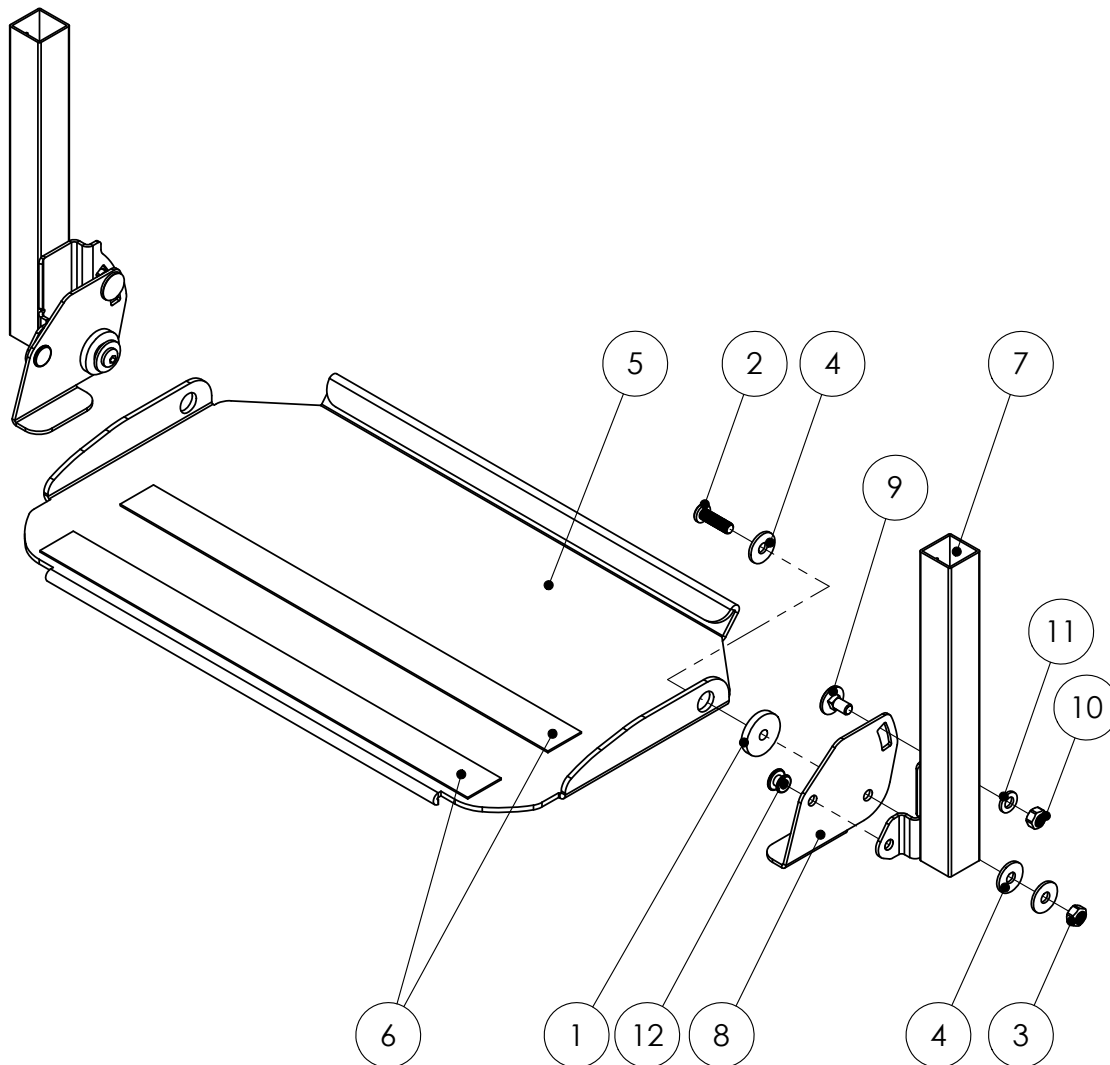
D3.2 - rev. A

rev. 2015-06-30

Pos.	Art.no.	Description	Incl.
	<b>62951</b>	<b>FOOTREST Standard one piece cpl sw38</b>	1-12
	<b>63951</b>	<b>FOOTREST Standard one piece cpl sw42</b>	1-12
	<b>64951</b>	<b>FOOTREST Standard one piece cpl sw46</b>	1-12
	<b>65951</b>	<b>FOOTREST Standard one piece cpl sw50</b>	1-12
	<b>62953</b>	<b>FOOTREST Short one piece cpl sw38</b>	1-12
	<b>63953</b>	<b>FOOTREST Short one piece cpl sw42</b>	1-12
	<b>64953</b>	<b>FOOTREST Short one piece cpl sw46</b>	1-12
	<b>65953</b>	<b>FOOTREST Short one piece cpl sw50</b>	1-12
	62956	FOOTPLATE one piece with anti-slip tape sw38	5-6
	63956	FOOTPLATE one piece with anti-slip tape sw42	5-6
	64956	FOOTPLATE one piece with anti-slip tape sw46	5-6
	65956	FOOTPLATE one piece with anti-slip tape sw50	5-6
	63971	HOLDER Footplate one piece 200 std left	7-12
	62971	HOLDER Footplate one piece 120 short left	7-12
	63972	HOLDER Footplate one piece 200 std right	7-12
	62972	HOLDER Footplate one piece 120 short right	7-12
1		SPACER one piece footplate	
2	81355	SCREW K6S M6x20 SV	
3	81522	LOCKING NUT M6	
4	81655	WASHER M6 6,4x18x1,6 DIN 9021 Black	
5		FOOTPLATE one piece sw38	
5		FOOTPLATE one piece sw42	
5		FOOTPLATE one piece sw46	
5		FOOTPLATE one piece sw50	
6	87021	ANTI-SLIP TAPE 25mm	
7		HOLDER Footplate 200 standard left	
7		HOLDER Footplate 120 short left	
7		HOLDER Footplate 200 standard right	
7		HOLDER Footplate 120 short right	
8		PLATE angle left	
8		PLATE angle right	
9	81335	SCREW MVBF M6x12 FZB	
10	81522	LOCKING NUT M6	
11	81602	WASHER BRB6,4x12x1,5	
12		TUBULAR RIVET PHN 6x11 Brass	

Fotstöd Helt

Denna ritning får ej kopieras eller överlätas utan tillstånd av HD Rehab AB



**Spare parts****HD Balance****D3.3**Refers to exploded view: **Footbox**

D3.3 - rev. A

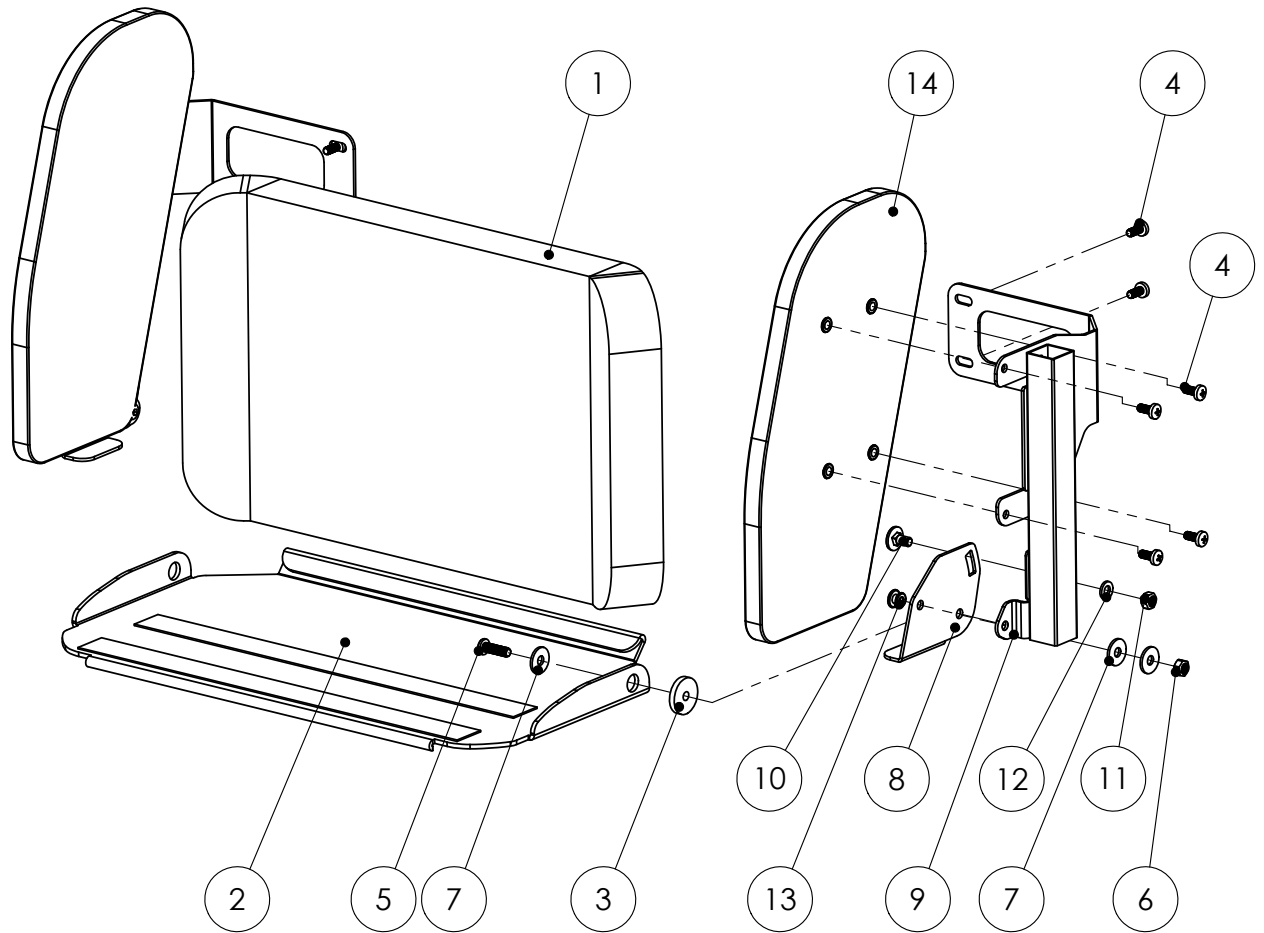
rev. 2015-08-30

Pos.	Art.no.	Description	Incl.
	<b>62981</b>	<b>FOOTBOX Standard sw38</b>	1-14
	<b>63981</b>	<b>FOOTBOX Standard sw42</b>	1-14
	<b>64981</b>	<b>FOOTBOX Standard sw46</b>	1-14
	<b>65981</b>	<b>FOOTBOX Standard sw50</b>	1-14
	<b>62982</b>	<b>FOOTBOX Short sw38</b>	1-14
	<b>63982</b>	<b>FOOTBOX Short sw42</b>	1-14
	<b>64982</b>	<b>FOOTBOX Short sw46</b>	1-14
	<b>65982</b>	<b>FOOTBOX Short sw50</b>	1-14
1	62865-1	CALF PAD one piece Soft sw38	See page D2.3
1	63865-1	CALF PAD one piece Soft sw42	See page D2.3
1	64865-1	CALF PAD one piece Soft sw46	See page D2.3
1	65865-1	CALF PAD one piece Soft sw50	See page D2.3
2	62956	FOOTPLATE one piece with anti-slip tape sw38	See page D3.1
2	63956	FOOTPLATE one piece with anti-slip tape sw42	See page D3.1
2	64956	FOOTPLATE one piece with anti-slip tape sw46	See page D3.1
2	65956	FOOTPLATE one piece with anti-slip tape sw50	See page D3.1
		HOLDER Footbox 200 standard left	8-13
		HOLDER Footbox 155 short left	8-13
		HOLDER Footbox 200 standard right	8-13
		HOLDER Footbox 155 short right	8-13
3		SPACER one piece footplate	
4	81110	SCREW MRX M5x12 SV	
5	81355	SCREW K6S M6x20 SV	
6	81522	LOCKING NUT M6	
7	81655	WASHER M6 6,4x18x1,6 DIN 9021 black	
8		PLATE left	
8		PLATE right	
9		HOLDER Footbox standard left	
9		HOLDER Footbox short left	
9		HOLDER Footbox standard right	
9		HOLDER Footbox short right	
10	81335	SCREW MVBF M6x12 FZB	
11	81522	LOCKING NUT M6	
12	81602	WASHER BRB6,4x12x1,5	
13		TUBULAR RIVET PHN 6x11 brass	
14	63987	FOOTBOX SIDE PAD 200 standard left	
14	64987	FOOTBOX SIDE PAD 155 short left	
14	63986	FOOTBOX SIDE PAD 200 standard right	
14	64986	FOOTBOX SIDE PAD 155 short right	
14		COVER Side Pad Soft	



Fotlåda

Denna ritning får ej kopieras eller överlämnas utan tillstånd av HD Rehab AB



**Spare parts****HD Balance****D4.1**

Refers to exploded view: Legrest Amputee

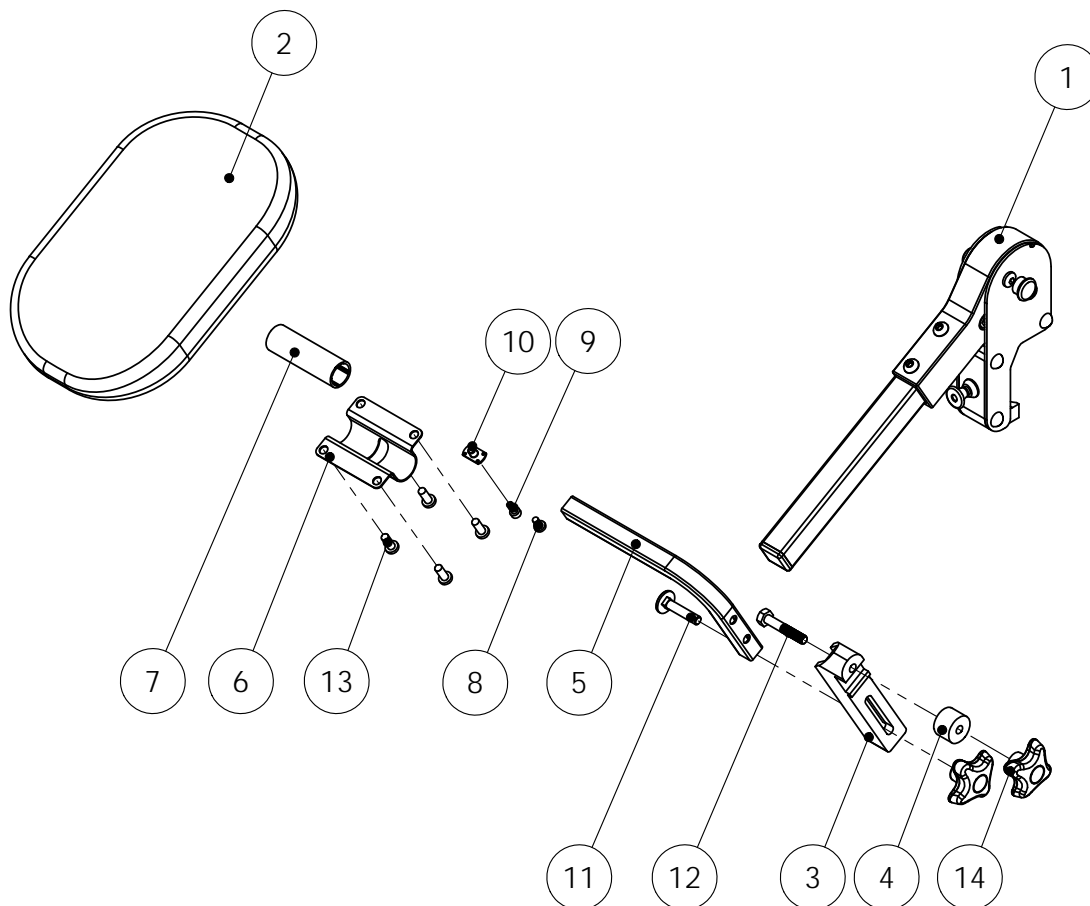
D4.1 - rev. A

rev. 2016-01-07

Pos.	Art.no.	Description	Incl.
	<b>62771</b>	<b>LEGREST AMPUTEE cpl sw38 Left</b>	1-14
	<b>62772</b>	<b>LEGREST AMPUTEE cpl sw38 Right</b>	1-14
	<b>63771</b>	<b>LEGREST AMPUTEE cpl sw42 Left</b>	1-14
	<b>63772</b>	<b>LEGREST AMPUTEE cpl sw42 Right</b>	1-14
	<b>64771</b>	<b>LEGREST AMPUTEE cpl sw46 Left</b>	1-14
	<b>64772</b>	<b>LEGREST AMPUTEE cpl sw46 Right</b>	1-14
	<b>65771</b>	<b>LEGREST AMPUTEE cpl sw50 Left</b>	1-14
	<b>65772</b>	<b>LEGREST AMPUTEE cpl sw50 Right</b>	1-14
1	<b>62771-5</b>	<b>KNEE JOINT AMPUTEE cpl Left</b>	See page D4.2
1	<b>62772-5</b>	<b>KNEE JOINT AMPUTEE cpl Right</b>	See page D4.2
	<b>62851</b>	<b>CALF SUPPORT AMPUTEE sw38 Left</b>	2-14
	<b>62852</b>	<b>CALF SUPPORT AMPUTEE sw38 Right</b>	2-14
	<b>63851</b>	<b>CALF SUPPORT AMPUTEE sw42 Left</b>	2-14
	<b>63852</b>	<b>CALF SUPPORT AMPUTEE sw42 Right</b>	2-14
	<b>64851</b>	<b>CALF SUPPORT AMPUTEE sw46 Left</b>	2-14
	<b>64852</b>	<b>CALF SUPPORT AMPUTEE sw46 Right</b>	2-14
	<b>65851</b>	<b>CALF SUPPORT AMPUTEE sw50 Left</b>	2-14
	<b>65852</b>	<b>CALF SUPPORT AMPUTEE sw50 Right</b>	2-14
2	62841-1	CALF PAD separate sw38	See page D2.1
2	63841-1	CALF PAD separate sw42	See page D2.1
2	64841-1	CALF PAD separate sw46	See page D2.1
2	65841-1	CALF PAD separate sw50	See page D2.1
3		HOLDER Amputee	
4	62854	WASHER	
5		BEND Calf Pad Amputee sw38	
5		BEND Calf Pad Amputee sw42-46	
5		BEND Calf Pad Amputee sw50	
6	63836	BRACE Calf Pad	
7	63838	HOUSING Calf Pad	
8	81154	SCREW MRX 4x8 spiral	before 160107
9	81237	SCREW MC6S M4x10 FZB	after 160107
10	81538	WELD NUT M4 SMRP	after 160107
11	81212	SCREW MVBF M6x30 FZB	
12	81347	SCREW M6S M6x35 FZB	
13	81427	SCREW wood 5x16 poz	
14	81952-5	KNOB M6	

Amputationsbenstöd

Denna ritning får ej kopieras eller överlåtas utan tillstånd av HD Rehab AB



**Spare parts****HD Balance****D4.2**Refers to exploded view: **Knee Joint Amputee**

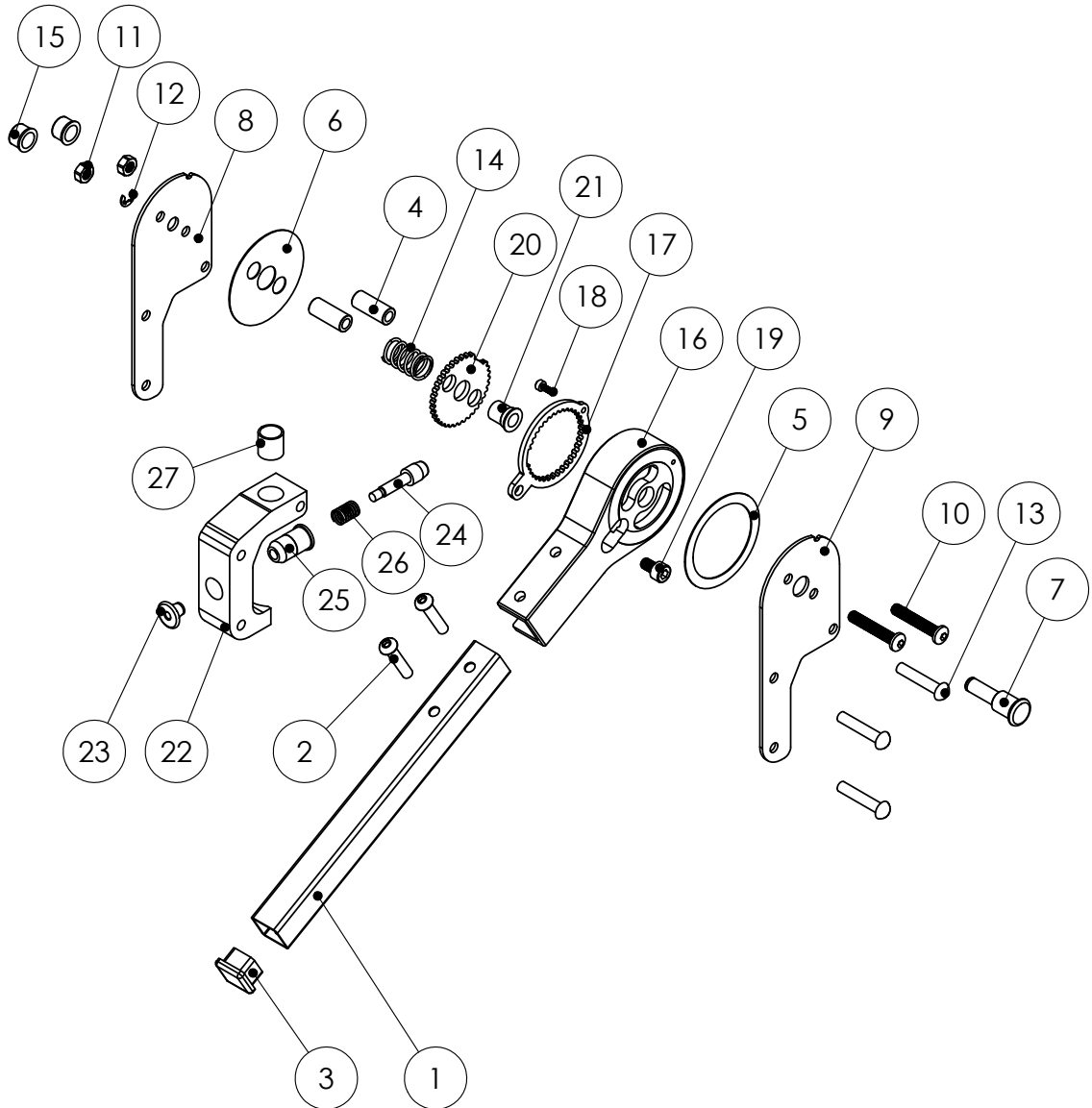
D4.2 - rev. A

rev. 2015-08-30

Pos.	Art.no.	Description	Incl.
	<b>62771-5</b>	<b>KNEE JOINT AMPUTEE cpl Left</b>	
	<b>62772-5</b>	<b>KNEE JOINT AMPUTEE cpl Right</b>	
		KNEE JOINT Amputee without tube left	4-27
		KNEE JOINT Amputee without tube right	4-27
1		TUBE AMPUTEE Legrest	
2	81340	SCREW K6S M6x30 FZB	
3	82108-5	COVER PLUG 20x20	
		LINK KNEE JOINT cpl Left	16-19
		LINK KNEE JOINT cpl Right	16-19
		INTERNAL GEAR cpl Knee joint	20-21
4		SPACER knee joint	
5		WASHER knee joint	
6		WASHER knee joint	
7		PIN Knee Joint Amputee	
		BLOCK AMPUTEE cpl	22-27
8		PLATE inside Amputee	
9		PLATE outside Amputee	
10		SCREW K6S M6x35 SV.	
11		LOCKING NUT M6	
12		CIRCLIP RS-5	
13		RIVET KN 6x32 svart	
14		SPRING Legrest 2513	
15		COVER NUT M6 black	
16		LINK Knee joint Left	
16		LINK Knee joint Right	
17		EXTERNAL GEAR knee joint	
18		SCREW MC6S M3x8 FZB	
19		SCREW MC6S M6x10	
20		INTERNAL GEAR Knee joint	
21		INTERNAL BUSHING knee joint	
22		BLOCK Knee Joint Amputee	
23		KNOB Locking Pin	
24		LOCKING PIN Amputee	
25		BUSHING Knee joint	
26		SPRING Legrest 2443	
27		BUSHING Knee joint	

**Knäled Amputationsbenstöd**

Denna ritning får ej kopieras eller överlätas utan tillstånd av HD Rehab AB



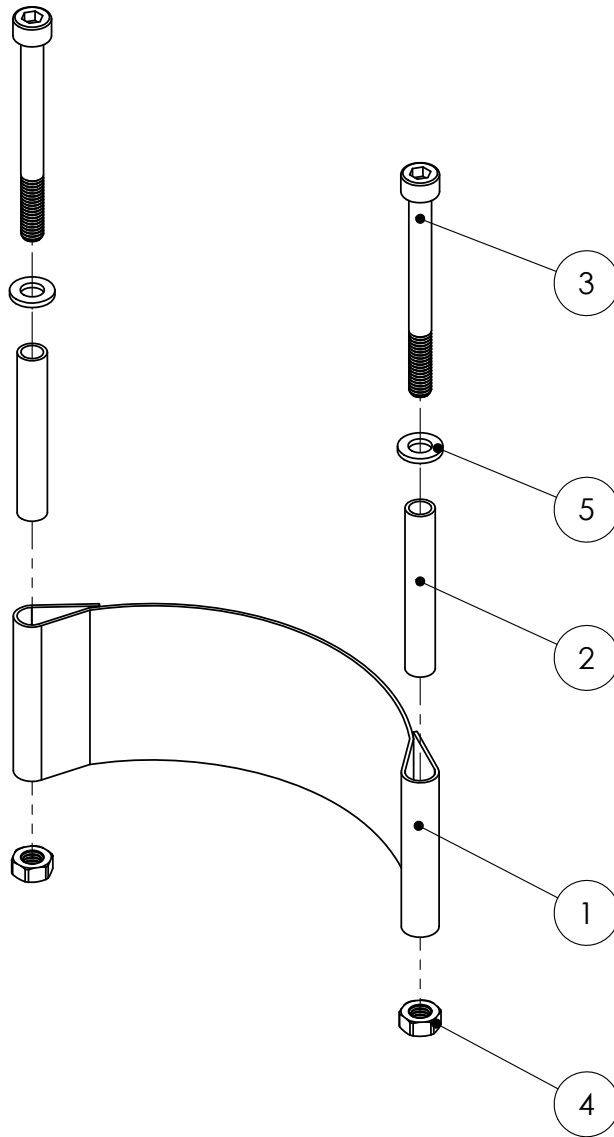
**Spare parts****HD Balance****D5.1**refers to exploded view:  
D5.1 - rev. A**HEEL Strap**

rev. 2015-06-30

Pos.	Art.no.	Description	Incl.
	<b>62995-1</b>	<b>HEEL STRAP sw38-50 cpl set 2pcs</b>	1-5
		HEEL STRAP sw38-50	1-5
1		STRAP sw38-50	
2		SPACER Heel Strap	
3	81364	SCREW MC6S M6x65	
4	81522	LOCKING NUT M6	
5	81602	WASHER BRB6,4x12x1,5	

Hälband

Denna ritning får ej kopieras eller överlåtas utan tillstånd av HD Rehab AB



**Spare parts****HD Balance****D6.1**

Refers to exploded view: Fotstödssida

D6.1 - rev. A

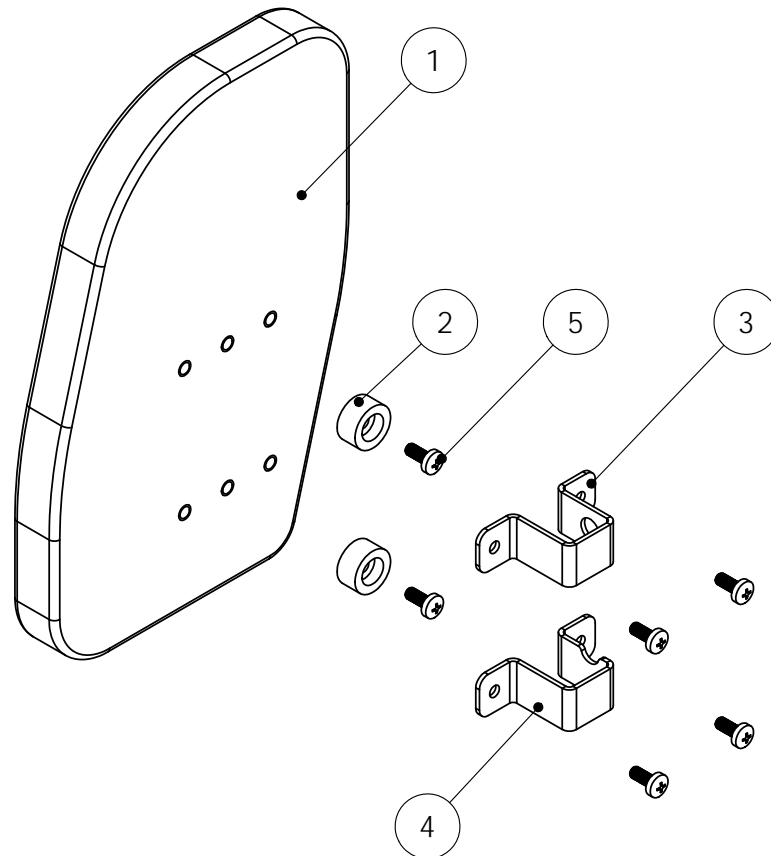
rev. 2016-01-07

Pos.	Art.no.	Description	Incl.
	<b>65987</b>	<b>FOOTREST SIDE Left</b>	1-5
	<b>65986</b>	<b>FOOTREST SIDE Right</b>	1-5
1		FOOTREST Side left	
1		FOOTREST Side right	
1		COVER Footrest Side	
2		SPACER Footrest Side	
3		BRACE Footrest Side	
4		BRACE Footrest Side	
5	81110	SCREW MRX M5x12 SV.	



Fotstödssida

Denna ritning får ej kopieras eller överlämnas utan tillstånd av HD Rehab AB



**Spare parts****HD Balance****E1.1**Refers to exploded view: **Armrest**

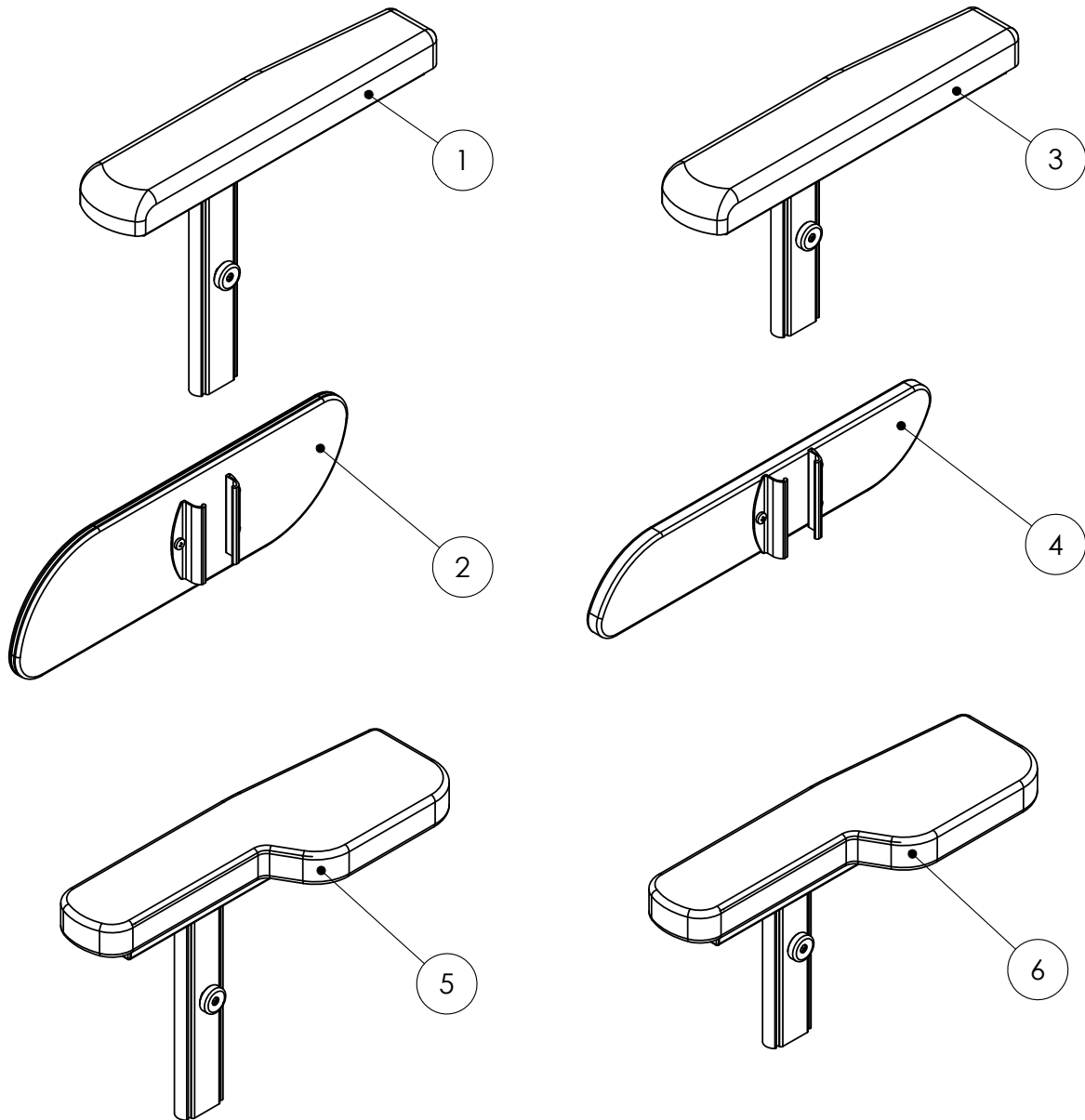
E1.1 - rev. B

rev. 2016-01-05

Pos.	Art.no.	Description	Incl.
	<b>62400</b>	<b>ARMREST Standard Pair, Soft</b>	1-2
	<b>62401</b>	<b>ARMREST Standard Left, Soft</b>	1-2
	<b>62402</b>	<b>ARMREST Standard Right, Soft</b>	1-2
	<b>62400-5</b>	<b>ARMREST Low Height Pair, Soft</b>	3-4
	<b>62405</b>	<b>ARMREST Low Height Left, Soft</b>	3-4
	<b>62406</b>	<b>ARMREST Low Height Right, Soft</b>	3-4
	<b>63401</b>	<b>ARMREST Wide Left, Soft</b>	2 & 5
	<b>63402</b>	<b>ARMREST Wide Right, Soft</b>	2 & 5
	<b>63405</b>	<b>ARMREST Wide Low Height Left, Soft</b>	4 & 6
	<b>63406</b>	<b>ARMREST Wide Low Height Right, Soft</b>	4 & 6
1	62408-1	ARMREST UNIT Standard Right, Soft	see page E2.1
1	62409-1	ARMREST UNIT Standard Left, Soft	see page E2.1
2	62441-1	SIDE SUPPORT Standard Left, Soft	see page E3.1
2	62442-1	SIDE SUPPORT Standard Right, Soft	see page E3.1
3	62408-5	ARMREST UNIT Low Right, Soft	see page E2.2
3	62409-5	ARMREST UNIT Low Left, Soft	see page E2.2
4	62446-1	SIDE SUPPORT Low Right, Soft	see page E3.1
4	62447-1	SIDE SUPPORT Low Left, Soft	see page E3.1
5	63408-1	ARMREST UNIT Wide Pad Right	see page E2.3
5	63409-1	ARMREST UNIT Wide Pad Left	see page E2.3
6	63408-5	ARMREST UNIT Wide Low Right	see page E2.3
6	63409-5	ARMREST UNIT Wide Low Left	see page E2.3

Armstöd

Denna ritning får ej kopieras eller överlätas utan tillstånd av HD Rehab AB



**Spare parts****HD Balance****E1.2**Refers to exploded view: **Armrest with Wedge Support**

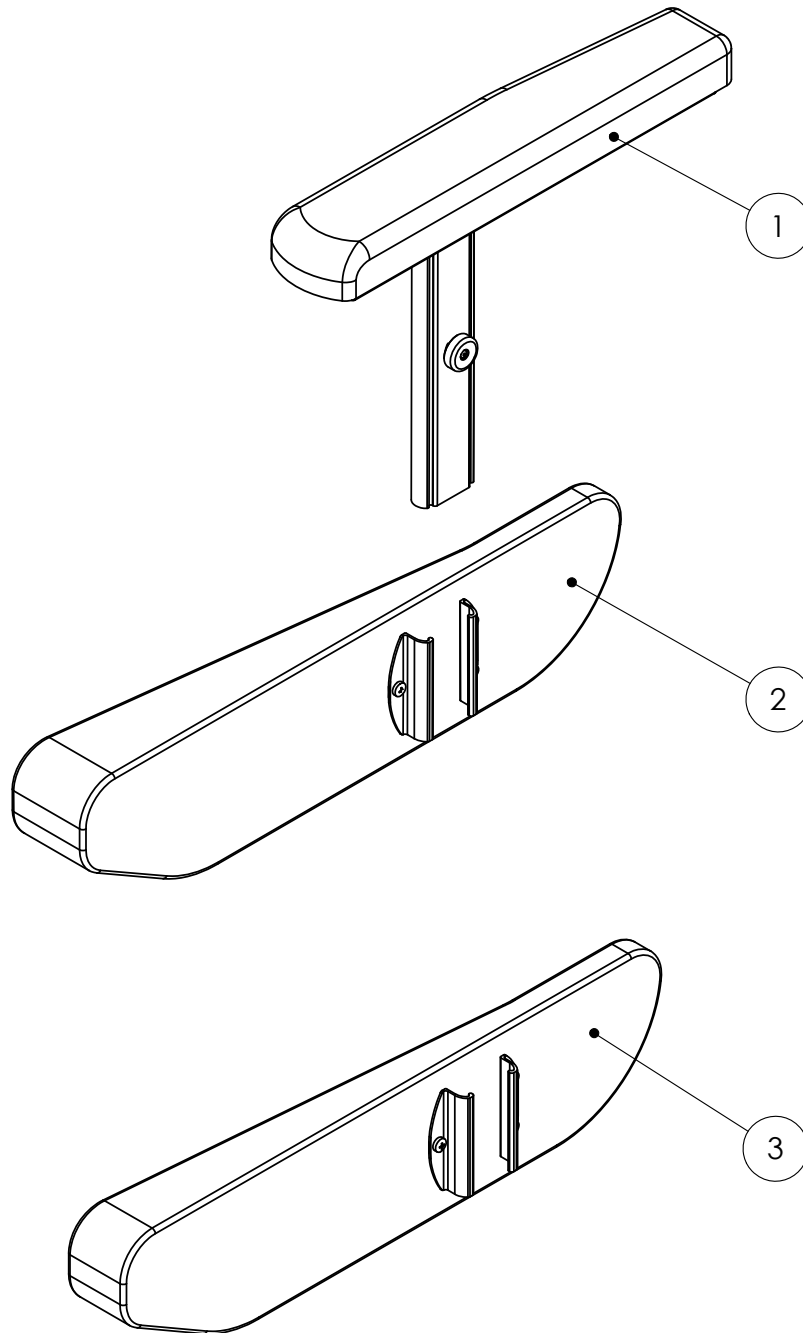
E1.2 - rev. A

rev. 20150830

Pos.	Art.no.	Description	Incl.
	<b>62411-5</b>	<b>ARMREST with Wedge Support Wide cpl, Pair</b>	1-2
	<b>62411</b>	<b>ARMREST with Wedge Support Wide cpl, Left</b>	1-2
	<b>62412</b>	<b>ARMREST with Wedge Support Wide cpl, Right</b>	1-2
	<b>62413-5</b>	<b>ARMREST with Wedge Support Narrow cpl, Pair</b>	1 & 3
	<b>62413</b>	<b>ARMREST with Wedge Support Narrow cpl, Left</b>	1 & 3
	<b>62414</b>	<b>ARMREST with Wedge Support Narrow cpl, Right</b>	1 & 3
1	62408-1	ARMREST UNIT Standard Right	see page E2.1
1	62409-1	ARMREST UNIT Standard Left	see page E2.1
2	63441-1	WEDGE SUPPORT Wide cpl Left	see page E3.2
2	63442-1	WEDGE SUPPORT Wide cpl Right	see page E3.2
3	63451-1	WEDGE SUPPORT Narrow cpl Left	see page E3.2
3	63452-1	WEDGE SUPPORT Narrow cpl Right	see page E3.2

Armstöd med sidostöd Kil

Denna ritning får ej kopieras eller överlätas utan tillstånd av HD Rehab AB



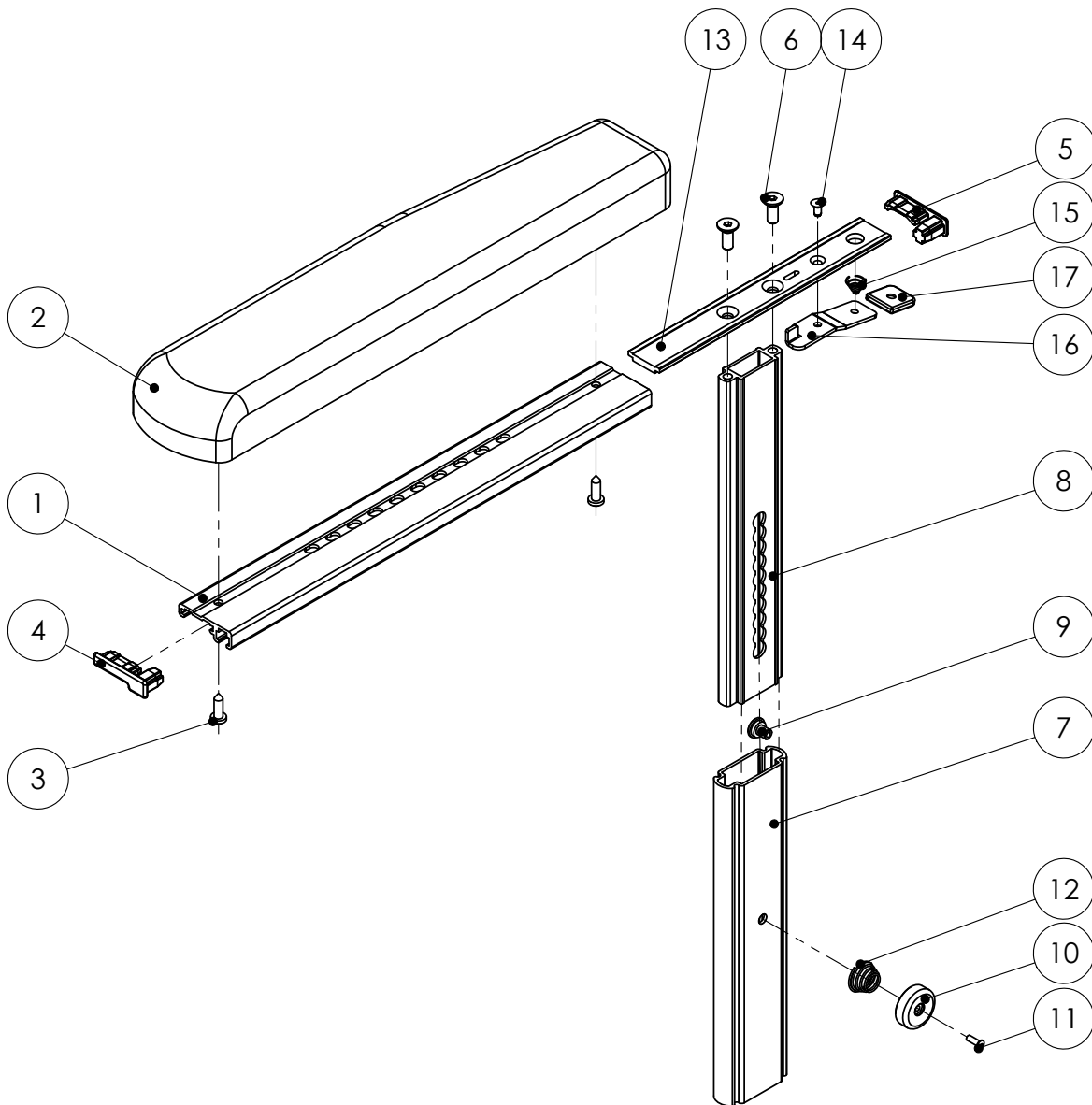
**Spare parts****HD Balance****E2.1**Refers to exploded view: **Armstödsenhet standard**  
E2.1 - rev. B

rev. 20150830

Pos.	Art.no.	Description	Incl.
	<b>62408-1</b>	<b>ARMREST UNIT Standard Right</b>	1-17
	<b>62409-1</b>	<b>ARMREST UNIT Standard Left</b>	1-17
	62421-2	POLE ARMREST with inner armrest rail Right	6-17
	62421-1	POLE ARMREST with inner armrest rail Left	6-17
1	62431	ARMREST Rail External	
2	62462-1	ARM PAD Soft Right	
2	62461-1	ARM PAD Soft Left	
3	81427	SCREW wood 5x16 poz	
4	82143	COVER Armrest rail Left	
5	82144	COVER Armrest rail Right	
	62420	POLE cpl ARMREST Rail internal	7-12 13-17
6	81137	SCREW MFT M6x16 fzb	
7		POLE External	
8		POLE Internal	
9		CATCH Armrest	
10		PUSH BUTTON Armrest	
11		BLIND RIVET 3.2x9.5 MUL AL/ST	
12		SPRING Armrest	
13		ARMREST RAIL Internal CATCH cpl with cover	16-17
14		RIVET FN 4x10 AL	
15		SPRING Armrest	
16		CATCH	
17		COVER UR2x20 Green	
17	<b>82157-1</b>	<b>COVER UR2x20 Geen, Package 10pcs</b>	

Armstödsenhet standard

Denna ritning får ej kopieras eller överlämnas utan tillstånd av HD Rehab AB



**Spare parts****HD Balance****E2.2**Refers to exploded view: **Armrest Unit Low**

E2.2 - rev. A

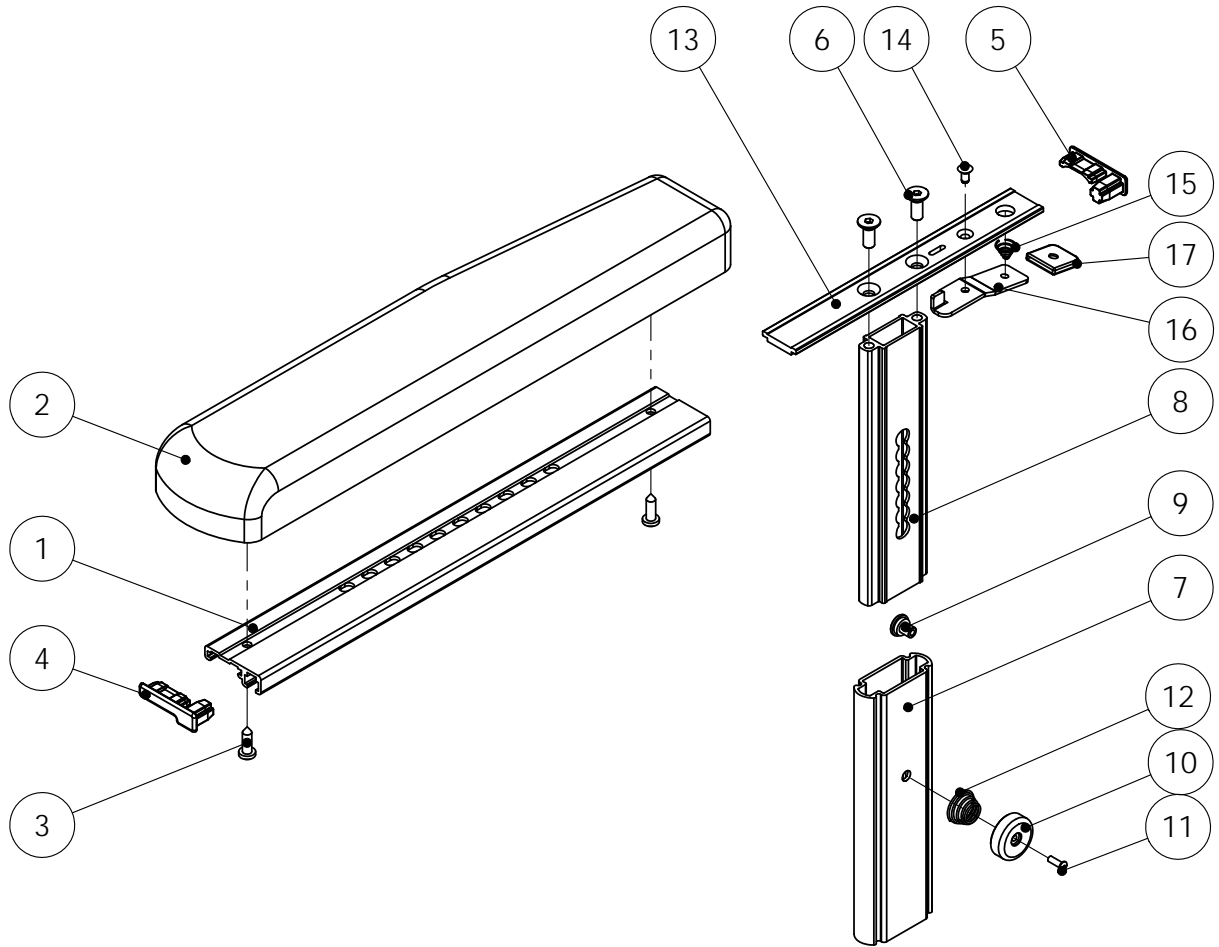
rev. 20150830

Pos.	Art.no.	Description	Incl.
	<b>62408-5</b>	<b>ARMREST UNIT Low cpl Right</b>	1-17
	<b>62409-5</b>	<b>ARMREST UNIT Low cpl Left</b>	1-17
	62421-6	POLE ARMREST Low with internal rail Right	6-17
	62421-5	POLE ARMREST Low with internal rail Left	6-17
1	62431	ARMREST Rail external	
2	62462-1	ARM PAD Soft Right	
2	62461-1	ARM PAD Soft Left	
3	81427	SCREW wood 5x16 poz	
4	82143	COVER ARMREST Rail Left	
5	82144	COVER ARMREST Rail Right	
	62420-5	POLE Low cpl	7-12
		ARMREST Rail internal	13-17
6	81137	SCREW MFT M6x16 fzb	
7		POLE Low External	
8		POLE Low Internal	
9		CATCH Armrest	
10		PUSH BUTTON Armrest	
11		BLIND RIVET 3.2x9.5 MUL AL/ST	
12		SPRING Armrest	
13		ARMREST Rail Internal	
		CATCH cpl with Cover	16-17
14		RIVET FN 4x10 AL	
15		SPRING	
16		CATCH	
17		COVER UR2x20 green	
17	<b>82157-1</b>	<b>COVER UR2x20 Green package 10pcs</b>	



Armstöd lågt

Denna ritning får ej kopieras eller överlämnas utan tillstånd av HD Rehab AB



**Spare parts****HD Balance****E2.3**

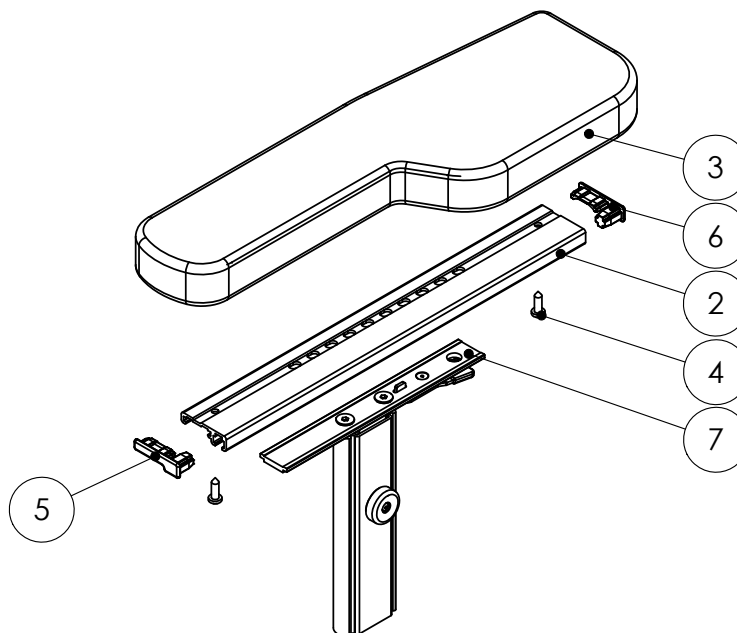
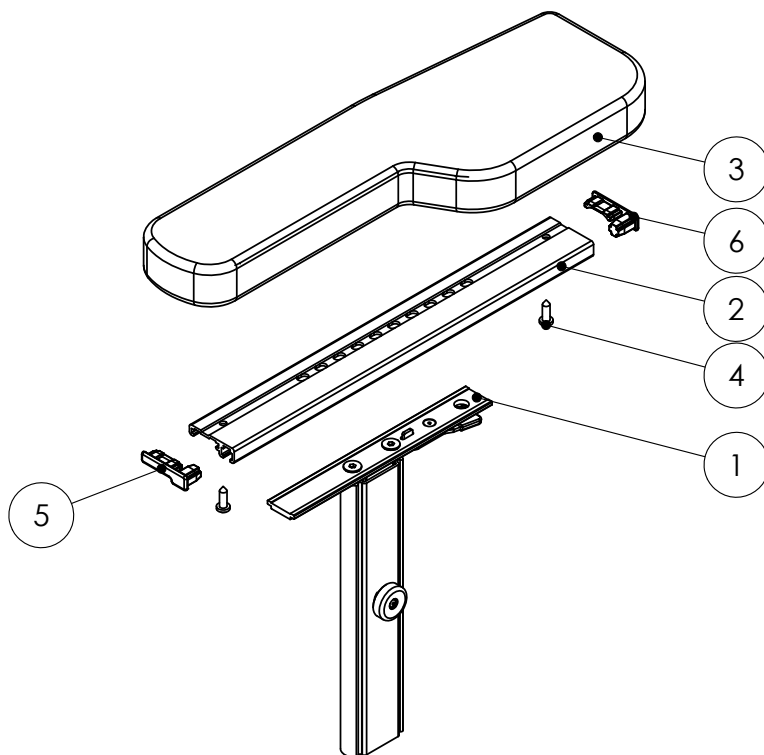
Refers to exploded view: **Armrest Unit Wide Standard & Low**  
E2.3 - rev. A

rev. 20150830

Pos.	Art.no.	Description	Incl.
	<b>63408-1</b>	<b>ARMREST UNIT Wide Standard Right</b>	1-6
	<b>63409-1</b>	<b>ARMREST UNIT Wide Standard Left</b>	1-6
	<b>63408-5</b>	<b>ARMREST UNIT Wide Low Right</b>	2-7
	<b>63409-5</b>	<b>ARMREST UNIT Wide Low Left</b>	2-7
1	62421-2	POLE ARMREST with internal armrest rail Right	see page E2.1
1	62421-1	POLE ARMREST with internal armrest rail Left	see page E2.1
2	62431	ARMREST Rail External	
3	62466-2	ARM PAD Wide Soft Right	
3		COVER Armrest Wide Right	
3	62466-1	ARM PAD Wide Soft Left	
3		COVER Armrest Wide Left	
4	81427	SCREW wood 5x16 poz	
5	82143	COVER Armrest Rail Left	
6	82144	COVER Armrest Rail Right	
7	62421-6	POLE ARMREST Low with internal rail Right	see page E2.2
7	62421-5	POLE ARMREST Low with internal rail Left	see page E2.2

Armstödsenhet Bred standard & Bred lågt

Denna ritning får ej kopieras eller överlätas utan tillstånd av HD Rehab AB



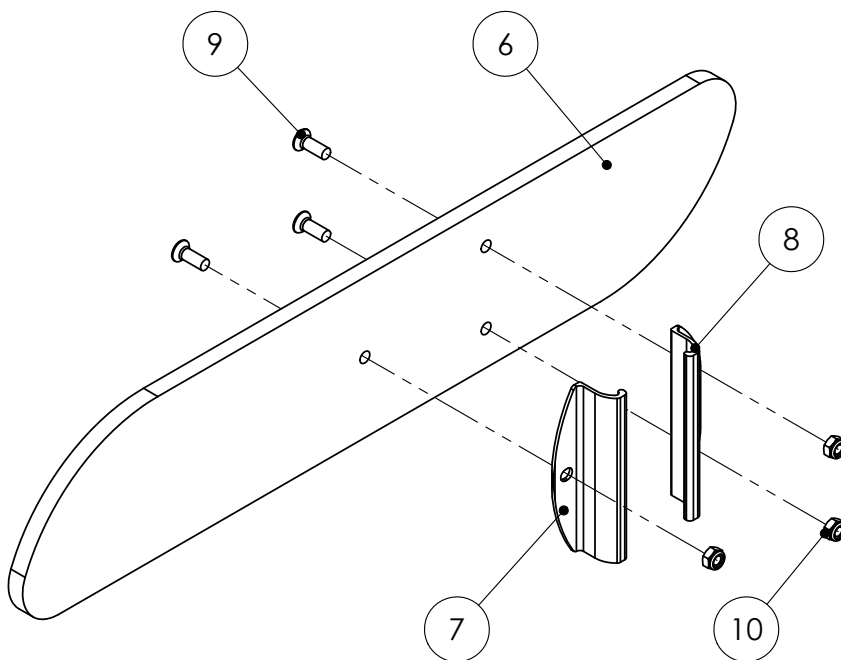
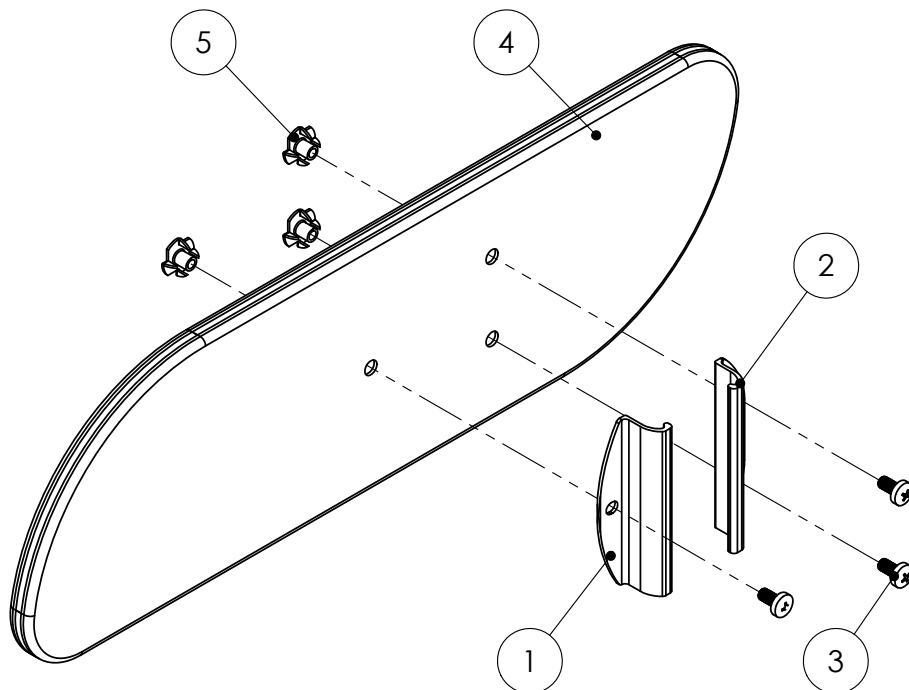
**Spare parts****HD Balance****E3.1**Refers to exploded view: **Side Support Standard & Low**  
E3.1 - rev. B

rev. 20150830

Pos.	Art.no.	Description	Incl.
	<b>62441-1</b>	<b>SIDE SUPPORT Standard Left</b>	1-5
	<b>62442-1</b>	<b>SIDE SUPPORT Standard Right</b>	1-5
	<b>62447-1</b>	<b>SIDE SUPPORT Low Left</b>	1-5
	<b>62446-1</b>	<b>SIDE SUPPORT Low Right</b>	1-5
		SIDE SUPPORT PLATE Standard Left	4-5
		SIDE SUPPORT PLATE Standard Right	4-5
		SIDE SUPPORT PLATE Low Left	
		SIDE SUPPORT PLATE Low Right	
1	62448	BRACE Side Support front cramp	
2	62448-5	BRACE Side Support rear cramp	
3	81104	SCREW MRX 5x10	
4		PLATE Side Support Standard Left	
4		PLATE Side Support Standard Right	
4		COVER Side Support Standard Soft	
4		PLATE Side Support Low Left	
4		PLATE Side Support Low Right	
4		COVER Side Support Low Soft	
5	81535	TEE NUT M5x8 sv.	
	<b>62441-5</b>	<b>SIDE SUPPORT Low Left (Discontinued 141010)</b>	6-10
	<b>62442-5</b>	<b>SIDE SUPPORT Low Right (Discontinued 141010)</b>	6-10
6		PLATE Side Support Low Left (Discontinued 141010)	
6		PLATE Side Support Low Right (Discontinued 141010)	
7	62448	BRACE Side Support front cramp	
8	62448-5	BRACE Side Support rear cramp	
9	81114	SCREW MFX 5x14	
10	81520	NUT DIN 985 M5 fz	

Sidostödsenhet standard & låg

Denna ritning får ej kopieras eller överlätas utan tillstånd av HD Rehab AB



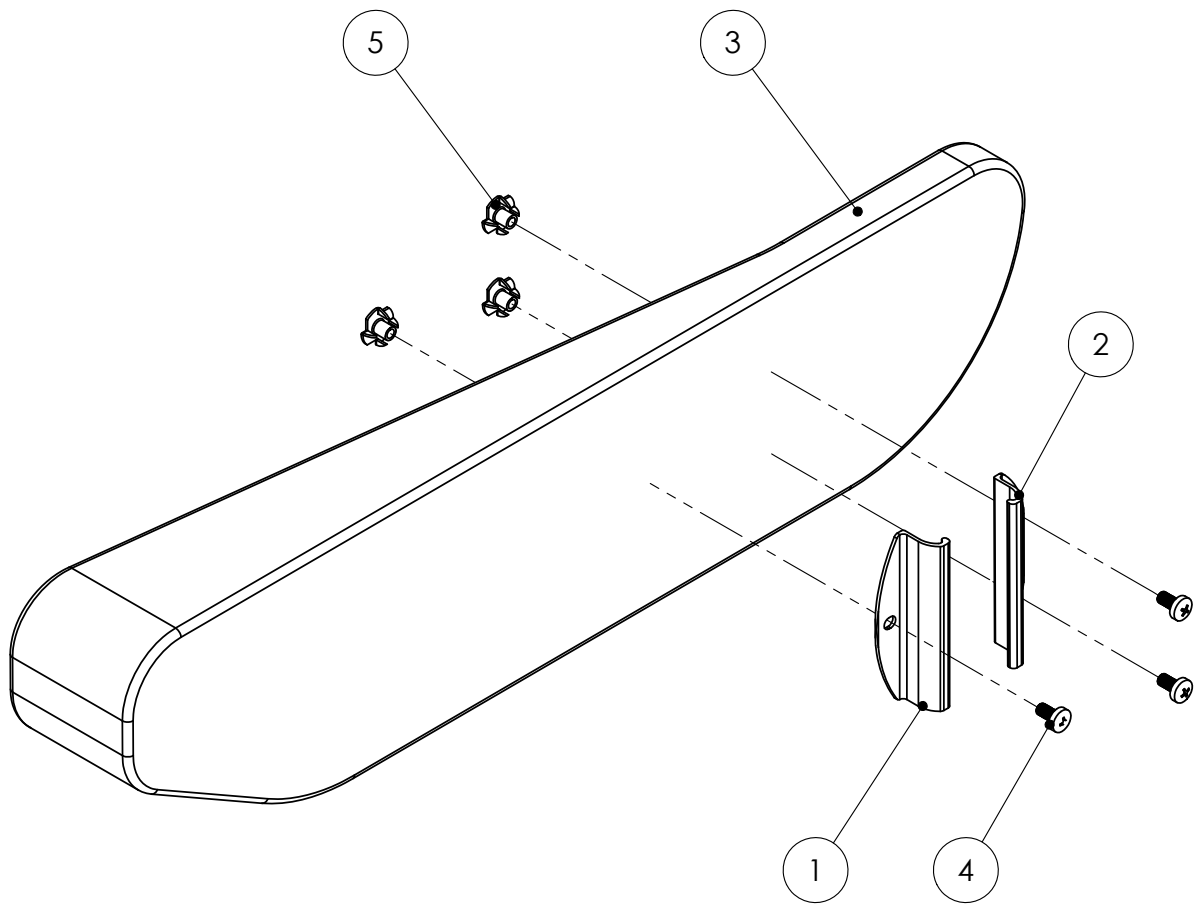
**Spare parts****HD Balance****E3.2**Refers to exploded view: **Wedge Support**  
E3.2 - rev. A

rev. 2016-01-05

Pos.	Art.no.	Description	Incl.
	<b>63441-1</b>	<b>WEDGE SUPPORT Wide cpl Left</b>	1-6
	<b>63442-1</b>	<b>WEDGE SUPPORT Wide cpl Right</b>	1-6
	<b>63451-1</b>	<b>WEDGE SUPPORT Narrow cpl Left</b>	1-6
	<b>63452-1</b>	<b>WEDGE SUPPORT Narrow cpl Right</b>	1-6
1	62448	BRACE Side Support front cramp	
2	62448-5	BRACE Side Support rear cramp	
3		PLATE Wedge Support Wide Left	5
3		COVER Wedge Support Wide Left	
3		PLATE Wedge Support Narrow Right	5
3		COVER Wedge Support Narrow Right	
3		PLATE Wedge Support Wide Right	5
3		COVER Wedge Support Wide Right	
3		PLATE Wedge Support Narrow Right	5
3		COVER Wedge Support Narrow Right	
4	81104	SCREW MRX 5x10	
5	81535	TEE NUT M5x8 SV	

Sidostöd Kil

Denna ritning får ej kopieras eller överlämnas utan tillstånd av HD Rehab AB



**Spare parts****HD Balance****E4.1**Refers to exploded view: **Armrest Hemiplegia High Model**

E4.1 - rev. A

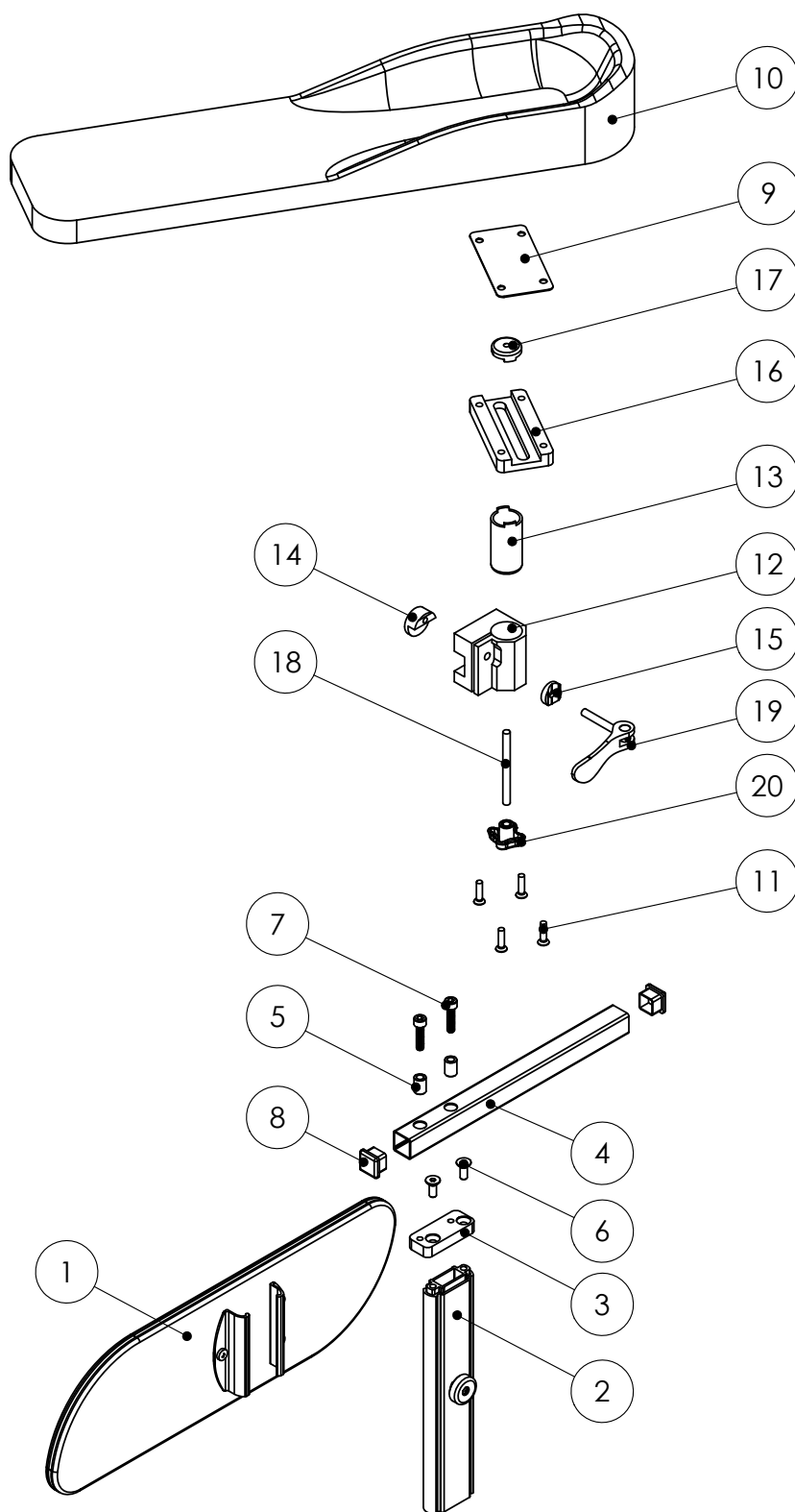
rev. 2015-08-30

Pos.	Art.no.	Description	Incl.
	<b>63491</b>	<b>ARMREST HEMIPLEGIA High Model Left</b>	1-20
	<b>63492</b>	<b>ARMREST HEMIPLEGIA High Model Right</b>	1-20
1	<b>62441-1</b>	<b>SIDE SUPPORT Standard Soft Left</b>	See page E3.1
1	<b>62442-1</b>	<b>SIDE SUPPORT Standard Soft Right</b>	See page E3.1
	63491-5	POST Armrest Hemiplegia High model Left	2-8
	63492-5	POST Armrest Hemiplegia High model Right	2-8
	63498-1	PAD Armrest Hemiplegia Left	9-11
	63498-2	PAD Armrest Hemiplegia Right	9-11
2	62420	POLE cpl	See page E2.1
3		ADAPTER PLATE Left	
3		ADAPTER PLATE Right	
4		STÄLLRÖR hemiplegiarmstöd	
5		SPACER Hemiplegia	
6		SCREW MFT M6x16 fzb	
7		SCREW MC6S12.9 6x25	
8	82108-5	COVER PLUG 20x20	
9		PLATE Hemiplegia	
10		PAD Hemiplegia	
		FASTENING for Hemiplegia Left	12-20
		FASTENING for Hemiplegia Right	12-20
11		SCREW MFX M5x20 SV.	
12		FASTENING Block Hemiplegia Left	
12		FASTENING Block Hemiplegia Right	
13		BUSHING Hemiplegia	
14		CLAMPING WASHER Hemiplegia	
15	63496-7	CLAMPING WASHER Hemiplegia	
16		PLATE Hemiplegia	
17		NUT PIECE Hemiplegia	
18		THREADED ROD	
19	81927	LOCKING LEVER LATS-017	
20	81951	KNOB M6	



Hemplegiarmstöd Hög modell

Denna ritning får ej kopieras eller överlätas utan tillstånd av HD Rehab AB



**Spare parts****HD Balance****E4.2**Refers to exploded view: **Hemiplegiarmstöd Låg modell**

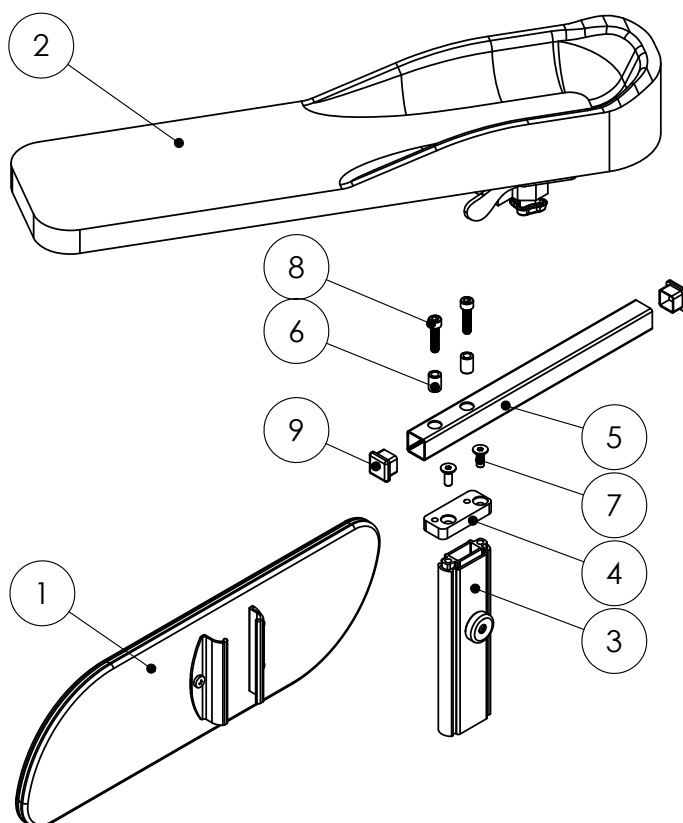
E4.2 - rev. A

rev. 2018-02-26

Pos.	Art.no.	Description	Incl.
	<b>63493</b>	<b>ARMREST HEMIPLEGIA Low model Left</b>	1-9
	<b>63494</b>	<b>ARMREST HEMIPLEGIA Low model Right</b>	1-9
1	<b>62447-1</b>	<b>SIDE SUPPORT Low Left</b>	See page E3.1
1	<b>62446-1</b>	<b>SIDE SUPPORT Low Right</b>	See page E3.1
	63493-5	POST Armrest Hemiplegia Low model Left	3-9
	63494-5	POST Armrest Hemiplegia Low model Right	3-9
2	63498-1	PAD Hemiplegia Left	See page E4.1
2	63498-2	PAD Hemiplegia Right	See page E4.1
3		POLE Low cpl	See page E2.2
4		ADAPTER PLATE Left	
4		ADAPTER PLATE Right	
5		TUBE Armrest Hemiplegia	
6		SPACER Hemiplegia	
7		SCREW MFT M6x16 fzb	
8		SCREW MC6S 12.9 6x25	
9	82108-5	COVER PLUG 20x20	

Hemplegiarmstöd Låg modell

Denna ritning får ej kopieras eller överlämnas utan tillstånd av HD Rehab AB



**Spare parts****HD Balance****E5.1**Refers to exploded view: **Elbowrest**

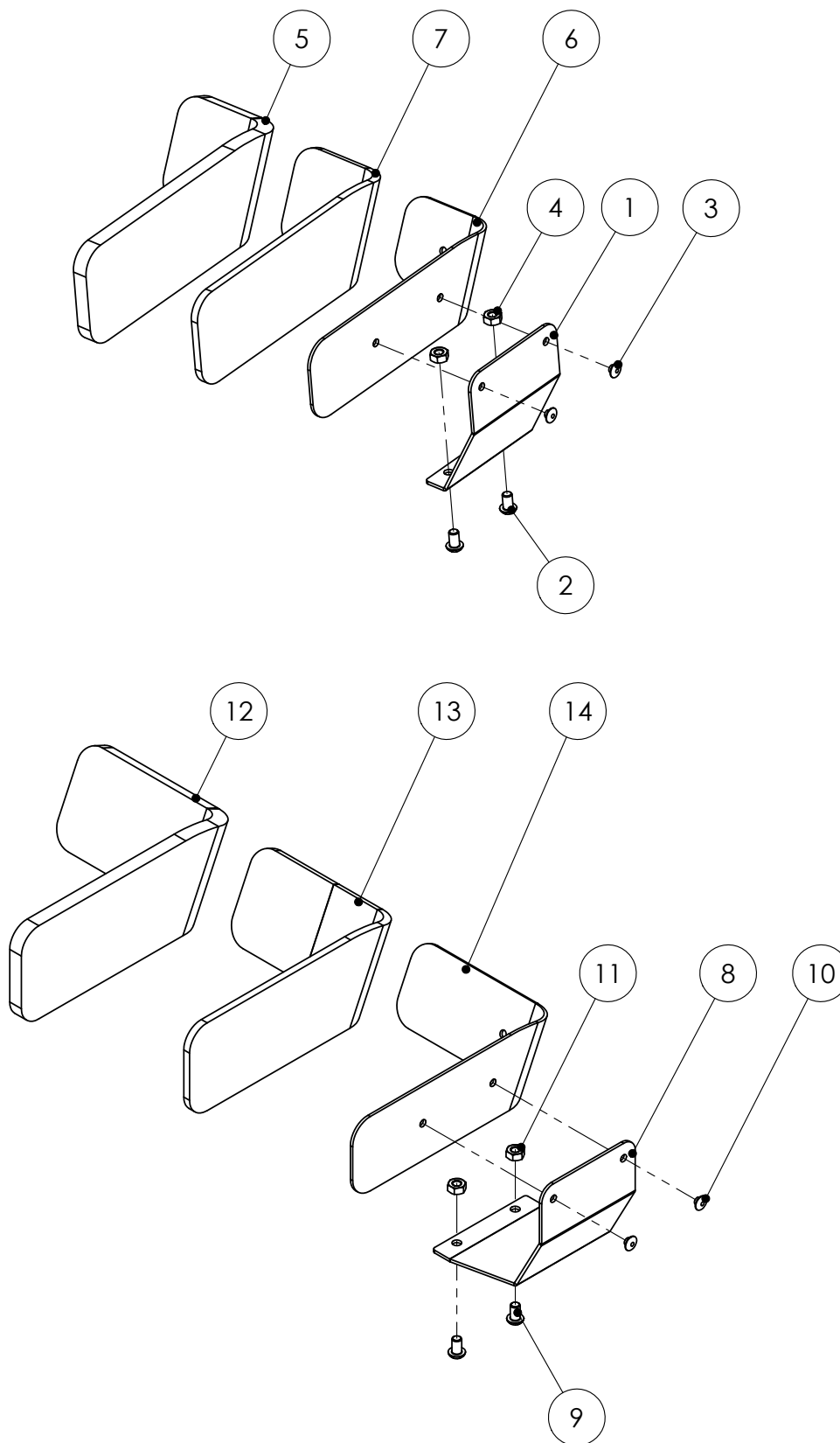
E5.1 - rev. A

rev. 2015-09-23

Pos.	Art.no.	Description	Incl.
	<b>62471</b>	<b>ELBOWREST Standard cpl Left</b>	1-7
	<b>62472</b>	<b>ELBOWREST Standard cpl Right</b>	1-7
1		FASTENING PLATE Elbowrest standard	
		PLATE Elbowrest with cover Left	5-7
		PLATE Elbowrest with cover Right	5-7
2	81293	SCREW K6S M6S M6x10 SV.	
3	81442	BLIND RIVET 4,8x8 AL/ST	
4	81505	NUT M6M 6 FZB	
5		COVER Elbowrest standard Left	
5		COVER Elbowrest standard Right	
6		PLATE Elbowrest Left	
6		PLATE Elbowrest Right	
7		PAD Elbowrest Left	
7		PAD Elbowrest Right	
	<b>63471</b>	<b>ELBOWREST Wide cpl Left</b>	8-14
	<b>63472</b>	<b>ELBOWREST Wide cpl Right</b>	8-14
8		FASTENING PLATE Elbowrest wide	
		PLATE Elbowrest Wide with cover Left	12-14
		PLATE Elbowrest Wide with cover Right	12-14
9	81293	SCREW K6S M6x10 SV.	
10	81442	BLIND RIVET 4.8x8 AL/ST	
11	81505	NUT M6M 6 FZB	
12		COVER Elbowrest wide Left	
12		COVER Elbowrest wide Right	
13		PAD Elbowrest Left	
13		PAD Elbowrest Right	
14		PLATE Elbowrest Wide Left	
14		PLATE Elbowrest Wide Right	

Armstödsarg

Denna ritning får ej kopieras eller överlätas utan tillstånd av HD Rehab AB



**Spare parts****HD Balance****E5.2**Refers to exploded view: **Lock for Armrest**

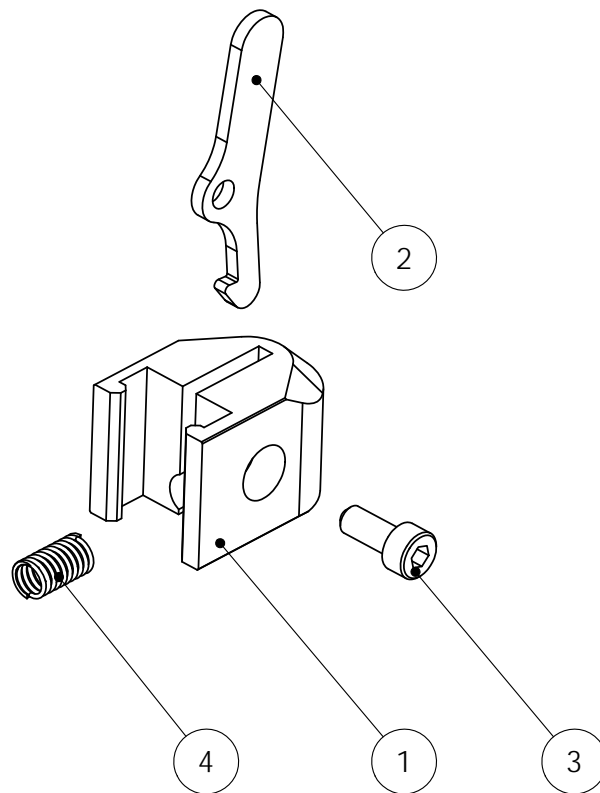
E5.2 - rev. A

rev. 2015-08-30

Pos.	Art.no.	Description	Incl.
	<b>62459</b>	<b>LOCK ARMREST cpl, Pair</b>	1-4
		LOCK ARMREST cpl Left	1-4
		LOCK ARMREST col Right	1-4
1		BLOCK Left	
1		BLOCK Right	
2		LOCKING Arm Plate	
3	81237	SCREW MC6S M4x10 FZB	
4		SPRING	

**Armstödslås**

Denna ritning får ej kopieras eller överlåtas utan tillstånd av HD Rehab AB



**Spare parts****HD Balance****E6.1**Refers to exploded view: **Spacers for Side Support**

E6.1 - rev. A

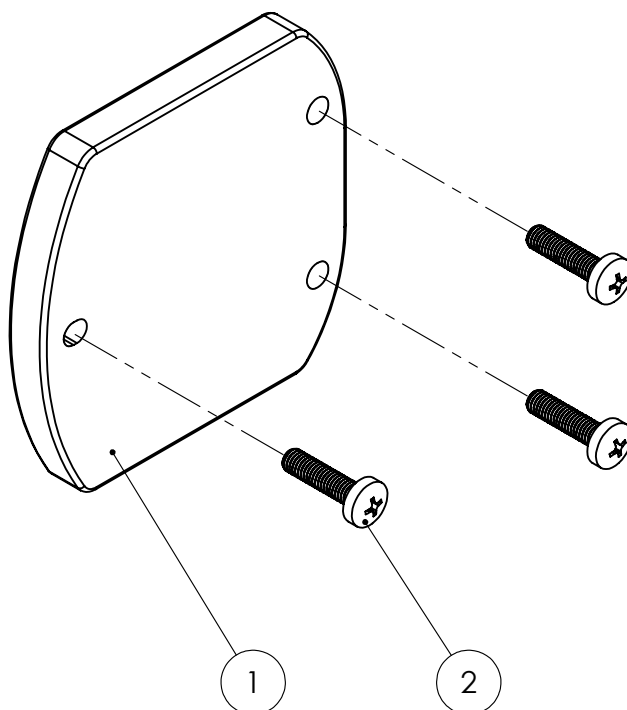
rev. 2018-02-26

Pos.	Art.no.	Description	Incl.
	<b>62458-1</b>	<b>SPACERS for Side Supports 1cm, Pair</b>	<b>1-2</b>
1		SPACER for Side Support 1cm	
2	81105	SCREW MRX 5x20 FZB	



## Distans Sidostöd

Denna ritning får ej kopieras eller överlåtas utan tillstånd av HD Rehab AB



**Spare parts****HD Balance****F1.1**Refers to exploded view: **Bålstöd standard litet bred & smal pos.**

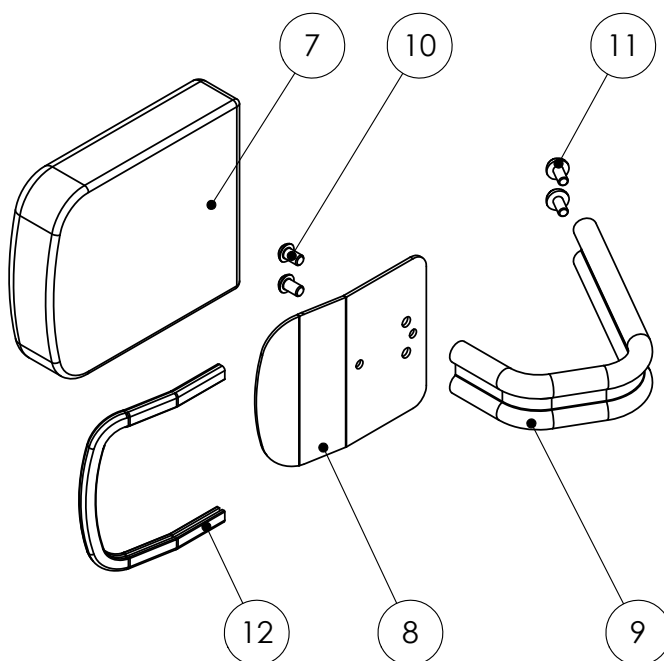
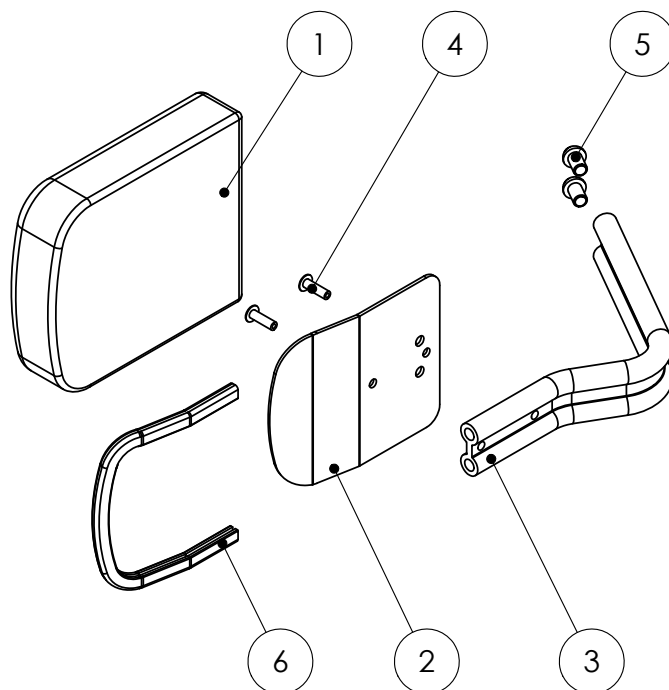
F1.1 - rev. B

rev. 2018-02-26

Pos.	Art.no.	Description	Incl.
	<b>69302-1</b>	<b>THORACIC SUPPORT Small Wide pos. Grey Show</b>	<b>1-6</b>
	<b>69302-2</b>	<b>THORACIC SUPPORT Small Wide pos. Dartex</b>	<b>1-6</b>
	<b>69302-3</b>	<b>THORACIC SUPPORT Small Wide pos. Black Trevira</b>	<b>1-6</b>
1		PAD Thoracic Support	
1	49933	COVER Thoracic Support Grey Show	
1	49934	COVER Thoracic Support Dartex	
1	49955	COVER Thoracic Support Black Trevira	
2		PLATE Thoracic Support standard	
3		BEND Thoracic Support Wide pos.	
4	81449	BLIND RIVET 4.8x16 ST/ST	
5	82135	COVER PLUG 12.5x5.25	
6		EDGE STRIP F125	
	<b>69301-1</b>	<b>THORACIC SUPPORT Small Narrow pos. Grey Show</b>	<b>7-12</b>
	<b>69301-2</b>	<b>THORACIC SUPPORT Small Narrow pos. Dartex</b>	<b>7-12</b>
	<b>69301-3</b>	<b>THORACIC SUPPORT Small Narrow pos. Black Trev.</b>	<b>7-12</b>
7		PAD Thoracic Support	
7	49933	COVER Thoracic Support Grey Show	
7	49934	COVER Thoracic Support Dartex	
7	49955	COVER Thoracic Support Black Trevira	
8		PLATE Thoracic Support standard	
9		BEND Thoracic Support Narrow pos.	
10	81293	SCREW K6S M6x10 sv.	
11	82135	COVER PLUG 12.5x5.25	
12		EDGE STRIP F125	

Bålstöd standard litet bred & smal pos.

Denna ritning får ej kopieras eller överlätas utan tillstånd av HD Rehab AB



**Spare parts****HD Balance****F1.2**Refers to exploded view: **Thoracic Support Angle Adjustable Short & Long**

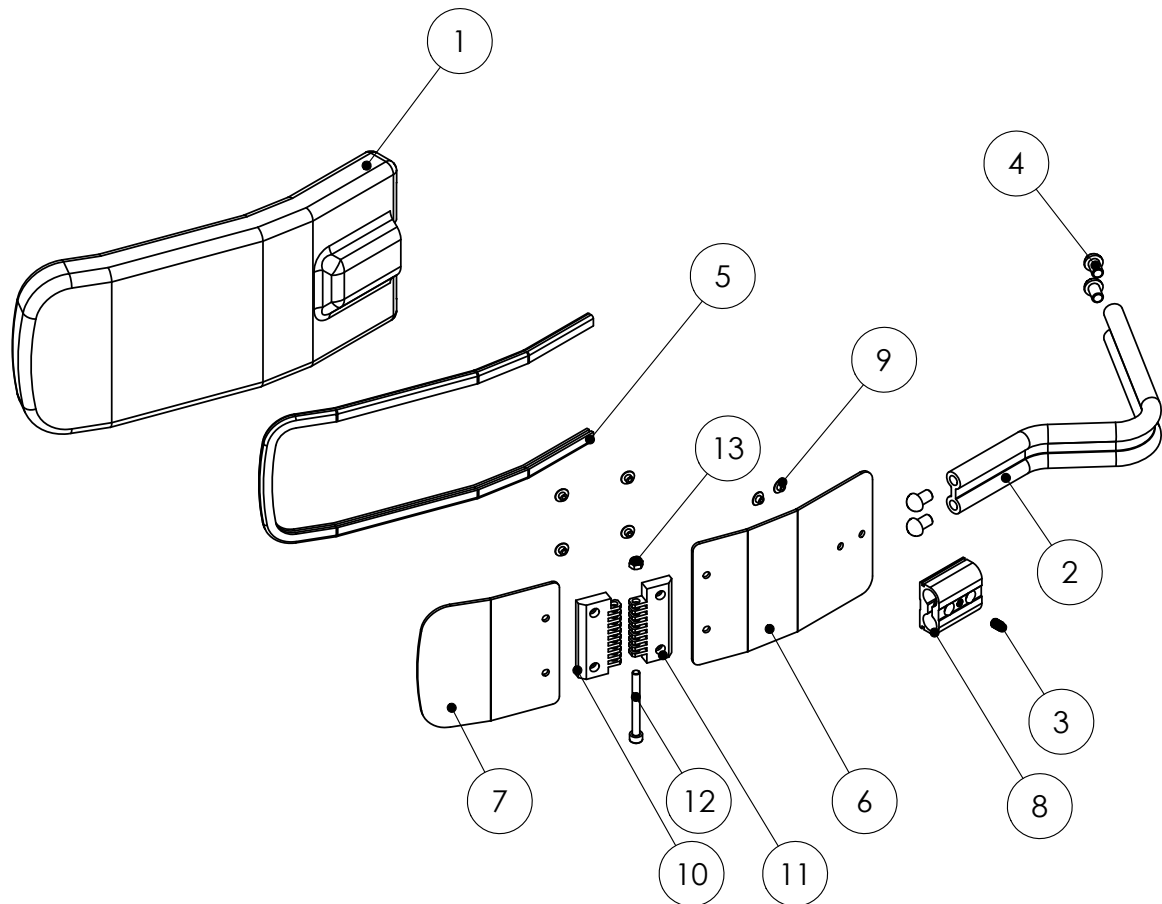
F1.2 - rev. B

rev. 2018-02-26

Pos.	Art.no.	Description	Incl.
	<b>69311-1</b>	<b>THORACIC SUPPORT angle adjustable short Grey</b>	<b>1-13</b>
	<b>69312-1</b>	<b>THORACIC SUPPORT angle adjustable long Grey</b>	<b>1-13</b>
	<b>69311-2</b>	<b>THORACIC SUPPORT angle adjustable short Dartex</b>	<b>1-13</b>
	<b>69312-2</b>	<b>THORACIC SUPPORT angle adjustable long Dartex</b>	<b>1-13</b>
	<b>69311-3</b>	<b>THORACIC SUPPORT angle adjustable short Brack</b>	<b>1-13</b>
	<b>69312-3</b>	<b>THORACIC SUPPORT angle adjustable long Black</b>	<b>1-13</b>
1		PAD Thoracic Support	
1	49937	COVER Thoracic Support adjustable short Grey Show	
1	49938	COVER Thoracic Support adjustable long Grey Show	
1	49939	COVER Thoracic Support adjustable short Dartex	
1	49936	COVER Thoracic Support adjustable long Dartex	
1	49957	COVER Thoracic Support adjustable short Black Trevira	
1	49958	COVER Thoracic Support adjustable long Black Trevira	
		PLATE Adjustable Thoracic Support short cpl	6-13
		PLATE Adjustable Thoracic Support long cpl	6-13
2		BEND Thoracic Support adjustable wide pos.	
3	81315	SCREW P6SS M6x8	
4	82135	COVER PLUG 12.5x5.25	
5		EDGE STRIP F125	
6		PLATE rear short	
6		PLATE rear long	
7		PLATE front short	
7		PLATE front long	
		HINGE Thoracic support cpl	10-13
8		HOUSING 42mm	
9		BLIND RIVET 4.8x8 ST/ST	
10		HALF HINGE Wide external	
11		HALF HINGE Wide internal	
12	81359	SCREW MC6S M5x55	
13	81504	NUT M6M 5	

Bålstöd ställbart långt & kort

Denna ritning får ej kopieras eller överlätas utan tillstånd av HD Rehab AB



**Spare parts****HD Balance****F1.3**

Refers to exploded view: Thoracic Support Swing Standard Small &amp; Wide

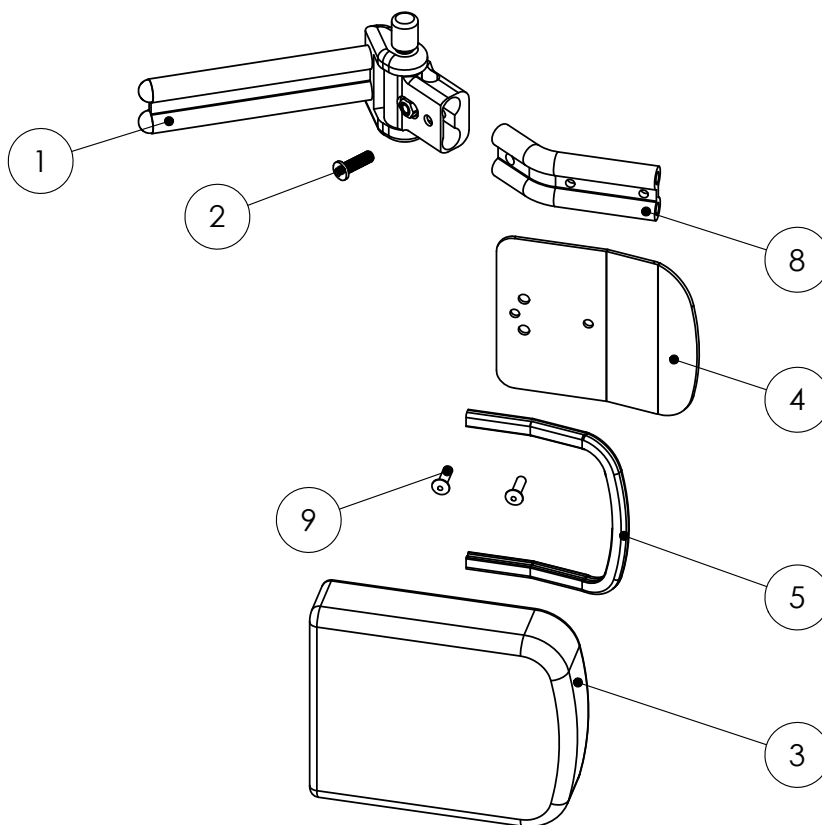
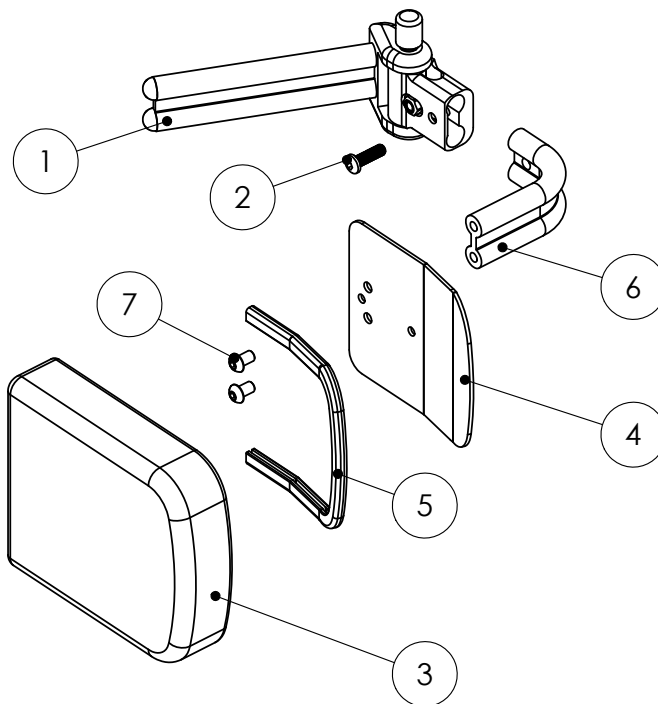
F1.3 - rev. A

rev. 2018-02-26

Pos.	Art.no.	Description	Incl.
	<b>69305-1</b>	<b>SWING Standard Small pos. Left Grey Show</b>	1-7
	<b>69305-2</b>	<b>SWING Standard Small pos. Left Dartex</b>	1-7
	<b>69305-3</b>	<b>SWING Standard Small pos. Left Black Trevira</b>	1-7
	<b>69306-1</b>	<b>SWING Standard Small pos. Right Grey Show</b>	1-7
	<b>69306-2</b>	<b>SWING Standard Small pos. Right Dartex</b>	1-7
	<b>69306-3</b>	<b>SWING Standard Small pos. Right Black Trevira</b>	1-7
	<b>69307-1</b>	<b>SWING Standard Wide pos. Left Grey Show</b>	1-5 & 8-9
	<b>69307-2</b>	<b>SWING Standard Wide pos. Left Dartex</b>	1-5 & 8-9
	<b>69307-3</b>	<b>SWING Standard Wide pos. Left Black Trevira</b>	1-5 & 8-9
	<b>69308-1</b>	<b>SWING Standard Wide pos. Right Grey Show</b>	1-5 & 8-9
	<b>69308-2</b>	<b>SWING Standard Wide pos. Right Dartex</b>	1-5 & 8-9
	<b>69308-3</b>	<b>SWING Standard Wide pos. Right Black Trevira</b>	1-5 & 8-9
1	69355-1	JOINT Thoracic Support Swing cpl Left	See page F1.7
1	69355-2	JOINT Thoracic Support Swing cpl Right	See page F1.7
2	81355	SCREW K6S M6x20 SV.	
3		PAD Thoracic Support	
3	49933	COVER Thoracic Support Grey Show	
3	49934	COVER Thoracic Support Dartex	
3	49955	COVER Thoracic Support Black Trevira	
4		PLATE Thoracic Support Standard	
5		EDGE STRIP F125	
6		BEND Swing Small pos.	
7	81293	SCREW K6SM6x10 SV	
8		BEND Swing Wide pos.	
9		BLIND RIVET 4,8x16ST/ST	

Bålstöd Swing Standard Smal & Bred position

Denna ritning får ej kopieras eller överlätas utan tillstånd av HD Rehab AB



**Spare parts****HD Balance****F1.4**Refers to exploded view: **Swing Thoracic Support Adjustable Short**  
F1.4 - rev. A

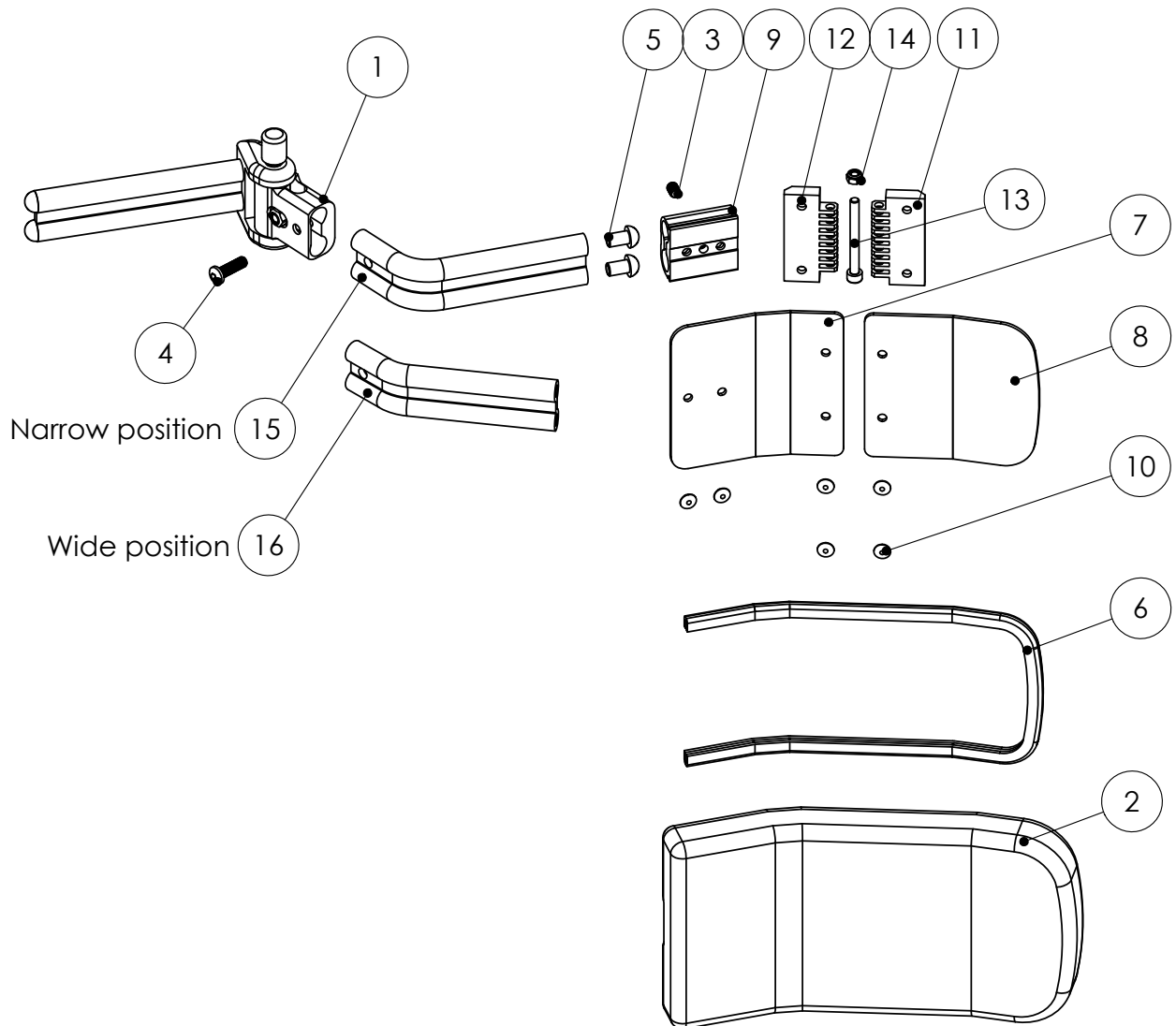
rev. 2018-02-26

Pos.	Art.no.	Description	Incl.
	<b>69315-1</b>	<b>SWING Adjustable Short Small pos. Left Grey</b>	1-15
	<b>69315-2</b>	<b>SWING Adjustable Short Small pos. Left Dartex</b>	1-15
	<b>69315-3</b>	<b>AWING Adjustable Short Small pos. Left Black</b>	1-15
	<b>69316-1</b>	<b>SWING Adjustable Short Small pos. Right Grey</b>	1-15
	<b>69316-2</b>	<b>SWING Adjustable Short Small pos. Right Dartex</b>	1-15
	<b>69316-3</b>	<b>SWING Adjustable Short Small pos. Right Black</b>	1-15
	<b>69317-1</b>	<b>SWING Adjustable Short Wide pos. Left Grey</b>	1-14 & 16
	<b>69317-2</b>	<b>SWING Adjustable Short Wide pos. Left Dartex</b>	1-14 & 16
	<b>69317-3</b>	<b>SWING Adjustable Short Wide pos. Left Black</b>	1-14 & 16
	<b>69318-1</b>	<b>SWING Adjustable Short Wide pos. Right Grey</b>	1-14 & 16
	<b>69318-2</b>	<b>SWING Adjustable Short Wide pos. Right Dartex</b>	1-14 & 16
	<b>69318-3</b>	<b>SWING Adjustable Short Wide pos. Right Black</b>	1-14 & 16
1	69355-1	JOINT Thoracic Support Swing cpl Left	See page F1.7
1	69355-2	JOINT Thoracic Support Swing cpl Right	See page F1.7
		PLATE Adjustable Thoracic Support Short	7-11
2		PAD Thoracic Support	
2	49937	COVER Thoracic Support adjustable Short Grey Show	
2	49939	COVER Thoracic Support adjustable Short Dartex	
2	49957	COVER Thoracic Support adjustable Short Black Trevira	
3	81315	SCREW P6SS M6x8	
4	81355	SCREW K6S M6x20 SV.	
5	82137	COVER PLUG 12.5x7x5	
6		EDGE STRIP F125	
7		PLATE Rear short thoracic support	
8		PLATE Front short thoracic support	
		HINGE Thoracic Support cpl	11-14
9		HOUSING 42mm	
10		BLIND RIVET 4,8x8 ST/ST	
11		HALF HINGE Wide external	
12		HALF HINGE Wide internal	
13		SCREW MC6S M5x55	
14	81504	NUT M6M 5	
15		BEND Thoracic Support Swing Small pos.	
16		BEND Thoracic Support Swing Wide pos.	



Bålstöd Swing Ställbart kort smal & bred position

Denna ritning får ej kopieras eller överlämnas utan tillstånd av HD Rehab AB



**Spare parts****HD Balance****F1.5**Refers to exploded view: **Swing Thoracic Support Adjustable Long Short pos.**

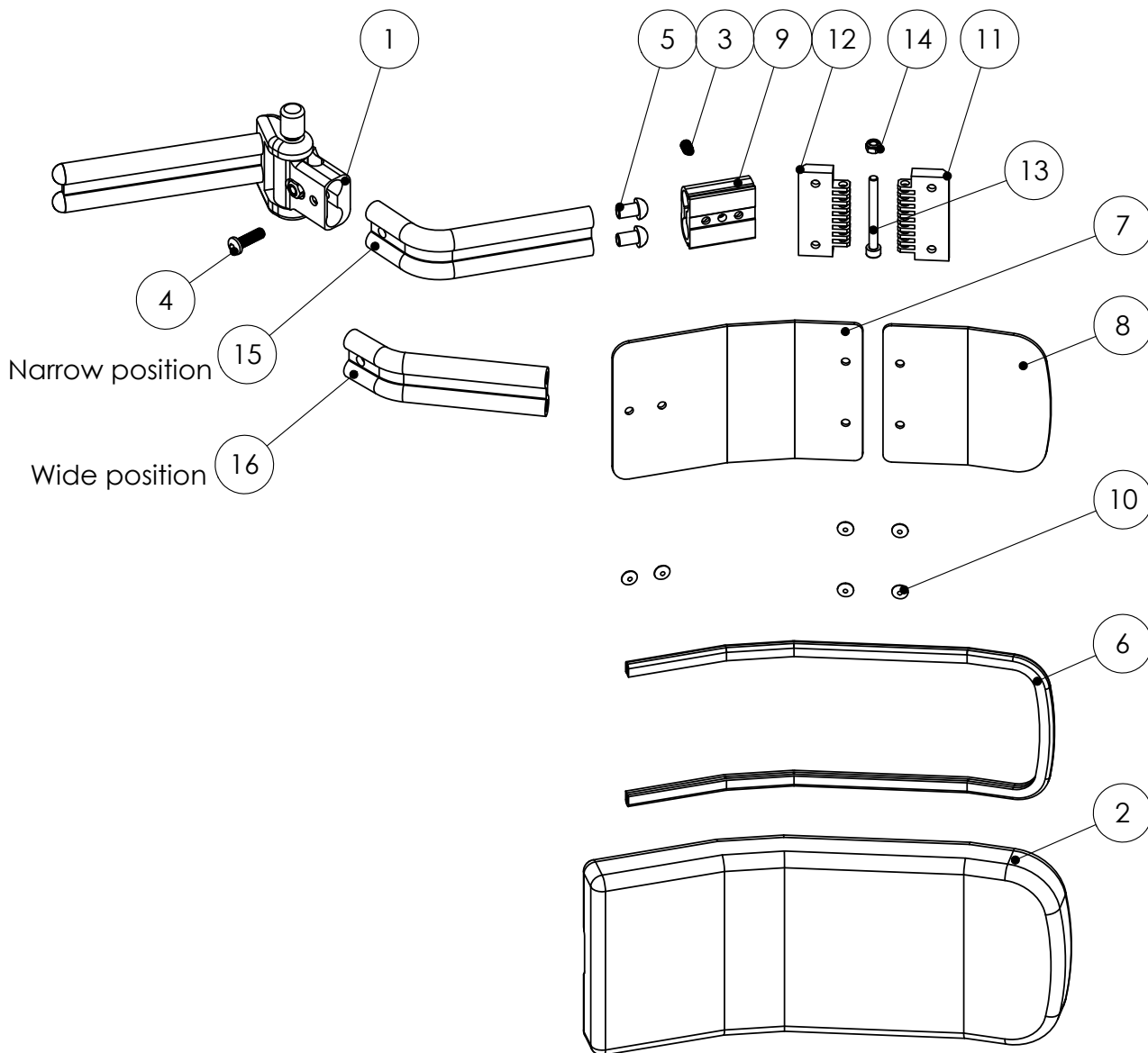
F1.5 - rev. A

rev. 2015-06-30

Pos.	Art.no.	Description	Incl.
	<b>69325-1</b>	<b>SWING Adjustable Long Small pos. Left Grey</b>	1-15
	<b>69325-2</b>	<b>SWING Adjustable Long Small pos. Left Dartex</b>	1-15
	<b>69325-3</b>	<b>SWING Adjustable Long Small pos. Left Black</b>	1-15
	<b>69326-1</b>	<b>SWING Adjustable Long Small pos. Right Grey</b>	1-15
	<b>69326-2</b>	<b>SWING Adjustable Long Small pos. Right Dartex</b>	1-15
	<b>69326-3</b>	<b>SWING Adjustable Long Small pos. Right Black</b>	1-15
	<b>69327-1</b>	<b>SWING Adjustable Long Wide pos. Left Grey</b>	1-14 & 16
	<b>69327-2</b>	<b>SWING Adjustable Long Wide pos. Left Dartex</b>	1-14 & 16
	<b>69327-3</b>	<b>SWING Adjustable Long Wide pos. Left Black</b>	1-14 & 16
	<b>69328-1</b>	<b>SWING Adjustable Long Wide pos. Right Grey</b>	1-14 & 16
	<b>69328-2</b>	<b>SWING Adjustable Long Wide pos. Right Dartex</b>	1-14 & 16
	<b>69328-3</b>	<b>SWING Adjustable Long Wide pos. Right Black</b>	1-14 & 16
1	69355-1	JOINT Thoracic Support Swing cpl Left	See page F1.7
1	69355-2	JOINT Thoracic Support Swing cpl Right	See page F1.7
2		PAD Thoracic Support	
		PLATE Adjustable Thoracic Support long	7-10
2	49938	COVER Thoracic Support Adjustable Long Grey Show	
2	49936	COVER Thoracic Support Adjustable Long Dartex	
2	49958	COVER Thoracic Support Adjustable Long Black Trevira	
3	81315	SCREW P6SS M6x8	
4	81355	SCREW K6S M6x20 SV.	
5	82137	COVER PLUG 12.5x7x5	
6		EDGE STRIP F125	
7		PLATE Rear long	
8		PLATE Front long	
		HINGE Thoracic Support cpl	11-14
9		HOUSING 42mm	
10		BLIND RIVET 4,8x8 ST/ST	
11		HALF HINGE Wide external	
12		HALF HINGE Wide internal	
13		SCREW MC6S M5x55	
14	81504	NUT M6M 5	
15		BEND Thoracic Support Swing Small pos.	
16		BEND Thoracic Support Swing Wide pos.	

Bålstöd Swing Ställbart lång smal & bred position

Denna ritning får ej kopieras eller överlämnas utan tillstånd av HD Rehab AB



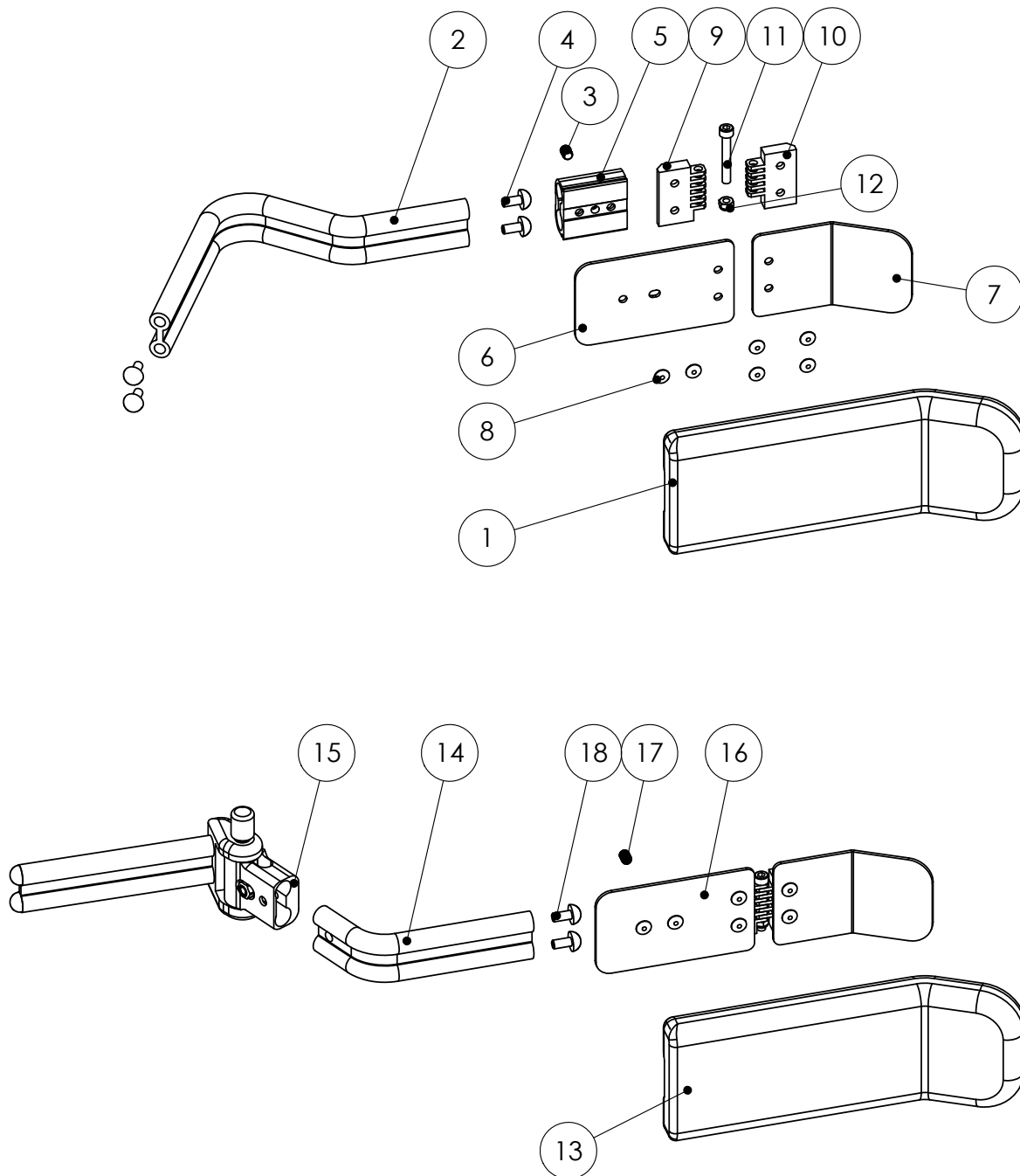
**Spare parts****HD Balance****F1.6**Refers to exploded view: **Thoracic Support Mini**  
F1.6 - rev. A

rev. 2015-06-30

Pos.	Art.no.	Description	Incl.
	<b>69332-3</b>	<b>THORACIC SUPPORT MINI Black Trevira</b>	1-12
1	49961	COVER Thoracic Support adj. Mini Black Trevira	
1		PAD	
2		BEND Thoracic Support Adjustable Wide pos.	
		PLATE Thoracic Support Mini std	5-8
3	81315	SCREW P6SS M6x8	
4	82135	COVER PLUG 12,5x5	
5		HOUSING 42mm	
		HINGE Small cpl	9-12
6		PLATE Rear standard Mini	
7		PLATE Front standard Mini	
8		BLIND RIVET 4,8x8 ST/ST	
9		HALF HING Small external	
10		HALF HING Small internal	
11		SCREW MC6S M5x35	
12	81504	NUT M6M 5	
	<b>69323-1</b>	<b>THORACIC SUPPORT MINI Swing Semi Small pos. Left Black</b>	13-18
	<b>69323-2</b>	<b>THORACIC SUPPORT MINI Swing Semi Small pos. Right Black</b>	13-18
13	49961	COVER Thoracic Support adjustable Mini std Black	
13		PAD	
14		BEND Thoracic Support Swing small pos.	
15	69355-1	JOINT Thoracic Support Swing cpl Left	See page F1.7
15	69355-2	JOINT Thoracic Support Swing cpl Right	See page F1.7
16		PLATE Thoracic Support Mini std	5-8
17	81315	SCREW P6SS M6x8	
18	82135	COVER PLUG 12,5x5	

Bålstöd Mini

Denna ritning får ej kopieras eller överlämnas utan tillstånd av HD Rehab AB



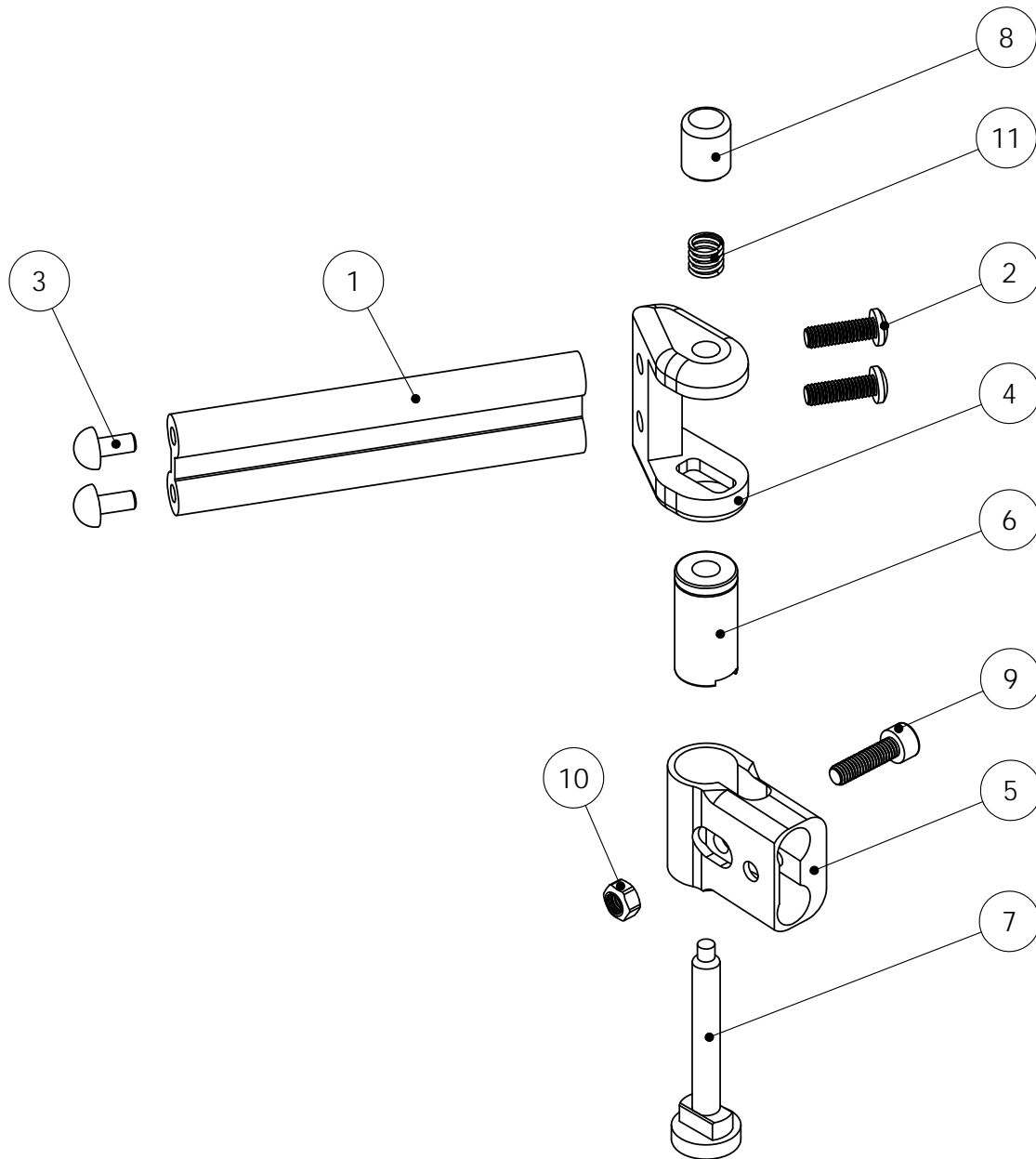
**Spare parts****HD Balance****F1.7**Refers to exploded view: **Joint Thoracic Support Swing**  
F1.7 - rev. A

rev. 2016-01-11

Pos.	Art.no.	Description	Incl.
	<b>69355-1</b>	<b>JOINT Thoracic Support Swing cpl Left</b>	1-11
	<b>69355-2</b>	<b>JOINT Thoracic Support Swing cpl Right</b>	1-11
1		SET PROFILE Thoracic Support Swing	
		JOINT Thoracic Support Swing Left	4-11
		JOINT Thoracic Support Swing Right	4-11
2	81355	SCREW K6S M6x20 SV	
3	82135	COVER PLUG 12,5x5	
4		JOINT FORK Profile Left	
4		JOINT FORK Profile Right	
5		JOINT Internal	
6		BUSHING	
7		PIN Swing Joint	
8		PUSH-BUTTON Swing	
9	81363	SCREW K6S M6x22 FZB	before 151215
9	81396	SCREW MC6S M6x22 FZB	after 151215
10	81522	LOCKING NUT M6	
11		SPRING 2450	

Led Bålstöd Swing

Denna ritning får ej kopieras eller överlämnas utan tillstånd av HD Rehab AB



**Spare parts****HD Balance****F2.1**Refers to exploded view: Table  
F2.1 - rev. B

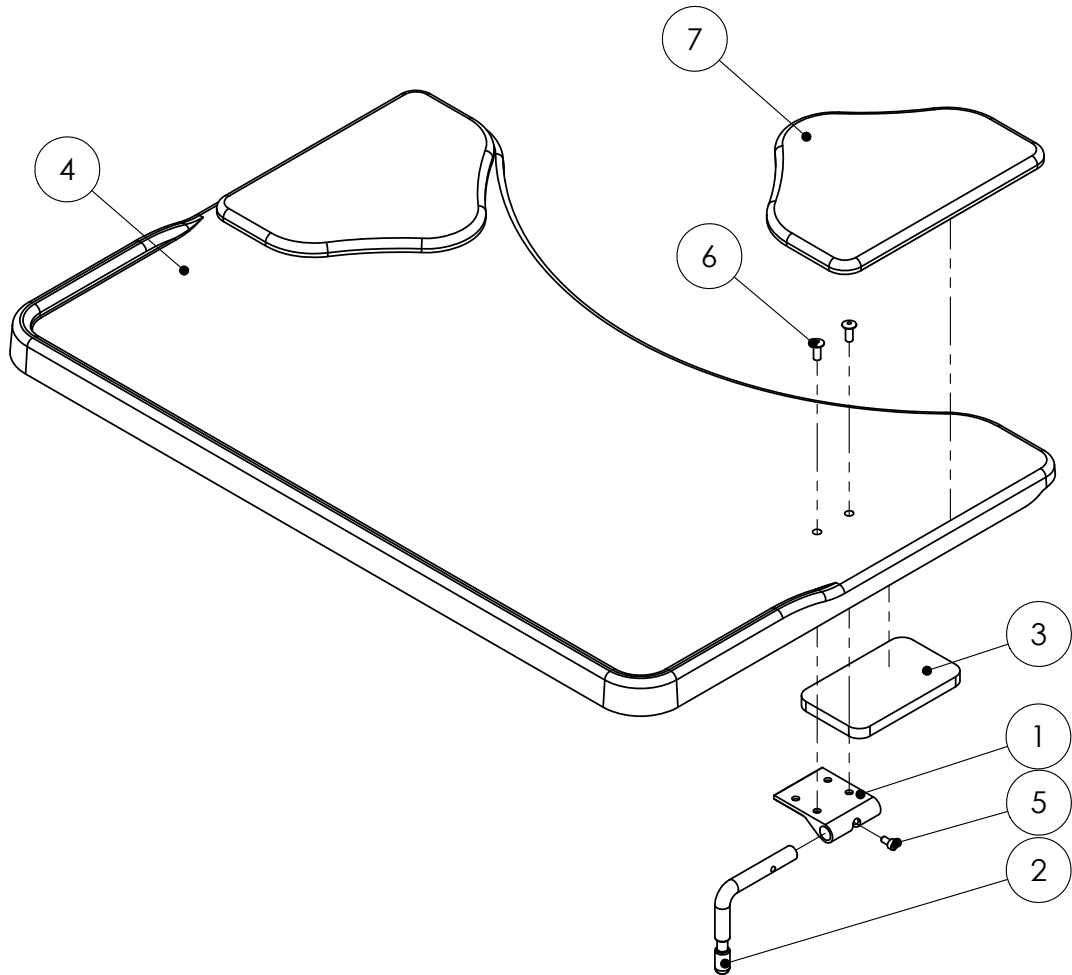
rev. 2015-08-30

Pos.	Art.no.	Description	Incl.
	<b>69521</b>	<b>TABLE PC sw38</b>	1-6
	<b>69531</b>	<b>TABLE PC sw42</b>	1-6
	<b>69541</b>	<b>TABLE PC sw46</b>	1-6
	<b>69551</b>	<b>TABLE PC sw50</b>	1-6
	<b>69522</b>	<b>TABLE PC Padded sw38</b>	1-7
	<b>69532</b>	<b>TABLE PC Padded sw42</b>	1-7
	<b>69542</b>	<b>TABLE PC Padded sw46</b>	1-7
	<b>69552</b>	<b>TABLE PC Padded sw50</b>	1-7
	<b>69525</b>	<b>TABLE OAK sw38</b>	1-6
	<b>69535</b>	<b>TABLE OAK sw42</b>	1-6
	<b>69545</b>	<b>TABLE OAK sw46</b>	1-6
	<b>69555</b>	<b>TABLE OAK sw50</b>	1-6
	<b>69526</b>	<b>TABLE OAK Padded sw38</b>	1-7
	<b>69536</b>	<b>TABLE OAK Padded sw42</b>	1-7
	<b>69546</b>	<b>TABLE OAK Padded sw46</b>	1-7
	<b>69556</b>	<b>TABLE OAK Padded sw50</b>	1-7
1	69511-5	BRACKET Table c-c 20	
2	69513	PIN Table	
3		PADDING	
4		TABLE PC sw38-42	
4		TABLE PC sw46-50	
4		TABLE OAK MDF sw38-42	
4		TABLE OAK MDF sw46-50	
5	81285	SCREW MC6S M4x8 fzb	
6	81452	BLIND RIVET 4.8x12 AL/ST	
7		PAD TABLE with tape	



**Bord**

Denna ritning får ej kopieras eller överlätas utan tillstånd av HD Rehab AB



**Spare parts****HD Balance****F2.2**Refers to exploded view: **Supporting Table Padded**

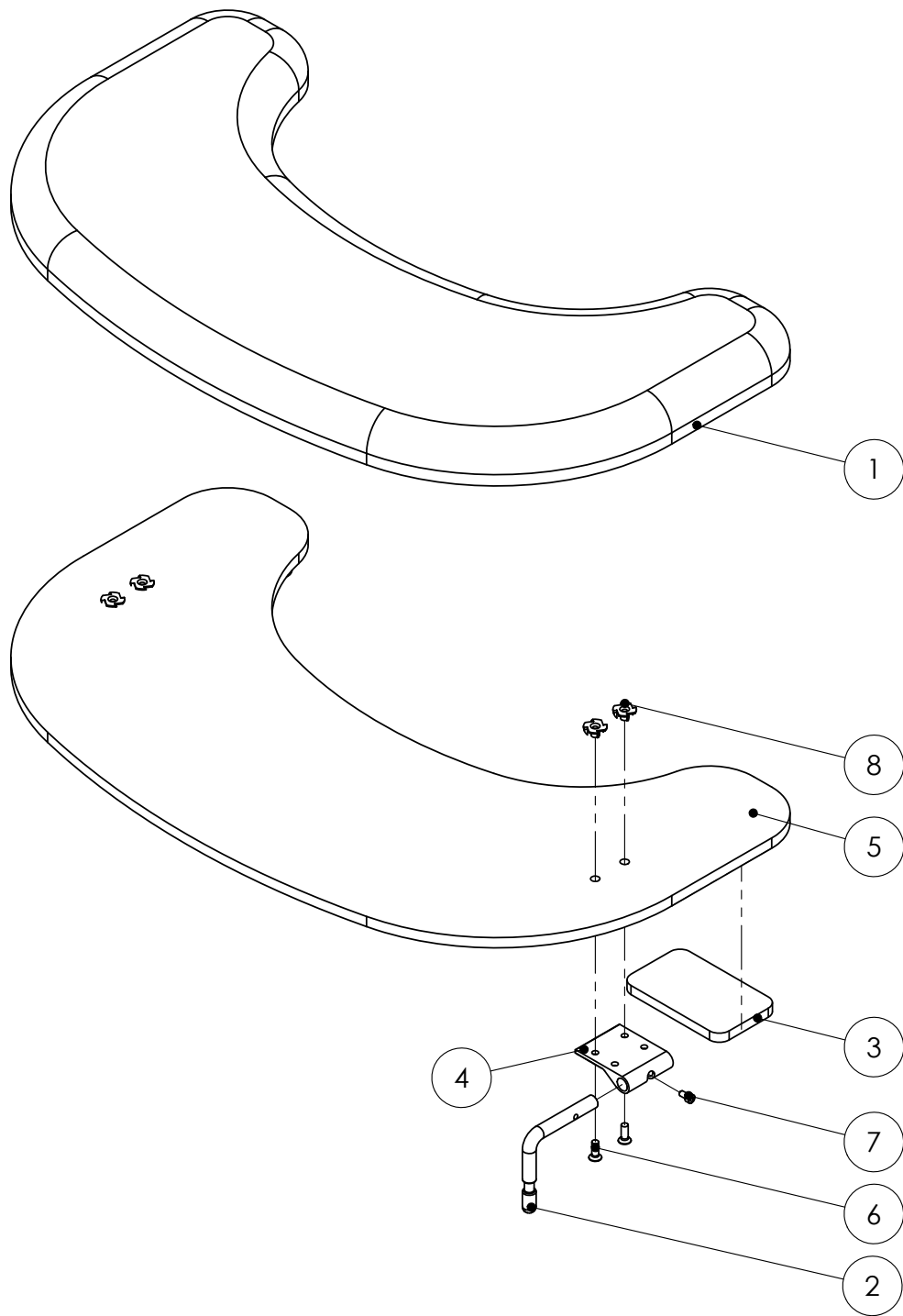
F2.2 - rev. A

rev. 2015-08-30

Pos.	Art.no.	Description	Incl.
	<b>69592</b>	<b>SUPPORTING TABLE Padded sw38-42</b>	1-8
	<b>69594</b>	<b>SUPPORTING TABLE Padded sw46-50</b>	1-8
1		COVER Supporting Table Soft, small	
1		COVER Supporting Table Soft, large	
2	69513	PIN Table 10mm	
3		PADDING	
4	69591-5	BRACKET Table c-c 20	
5		TABLE Supporting small	
5		TABLE Supporting large	
6	81114	SCREW MFX 5x14	
7	81285	SCREW MC6S M4x8	
8		TEE NUT M5x8 SV	

Stödbord

Denna ritning får ej kopieras eller överlåtas utan tillstånd av HD Rehab AB



**Spare parts****HD Balance****F2.3**Refers to exploded view: **Mug Tray**

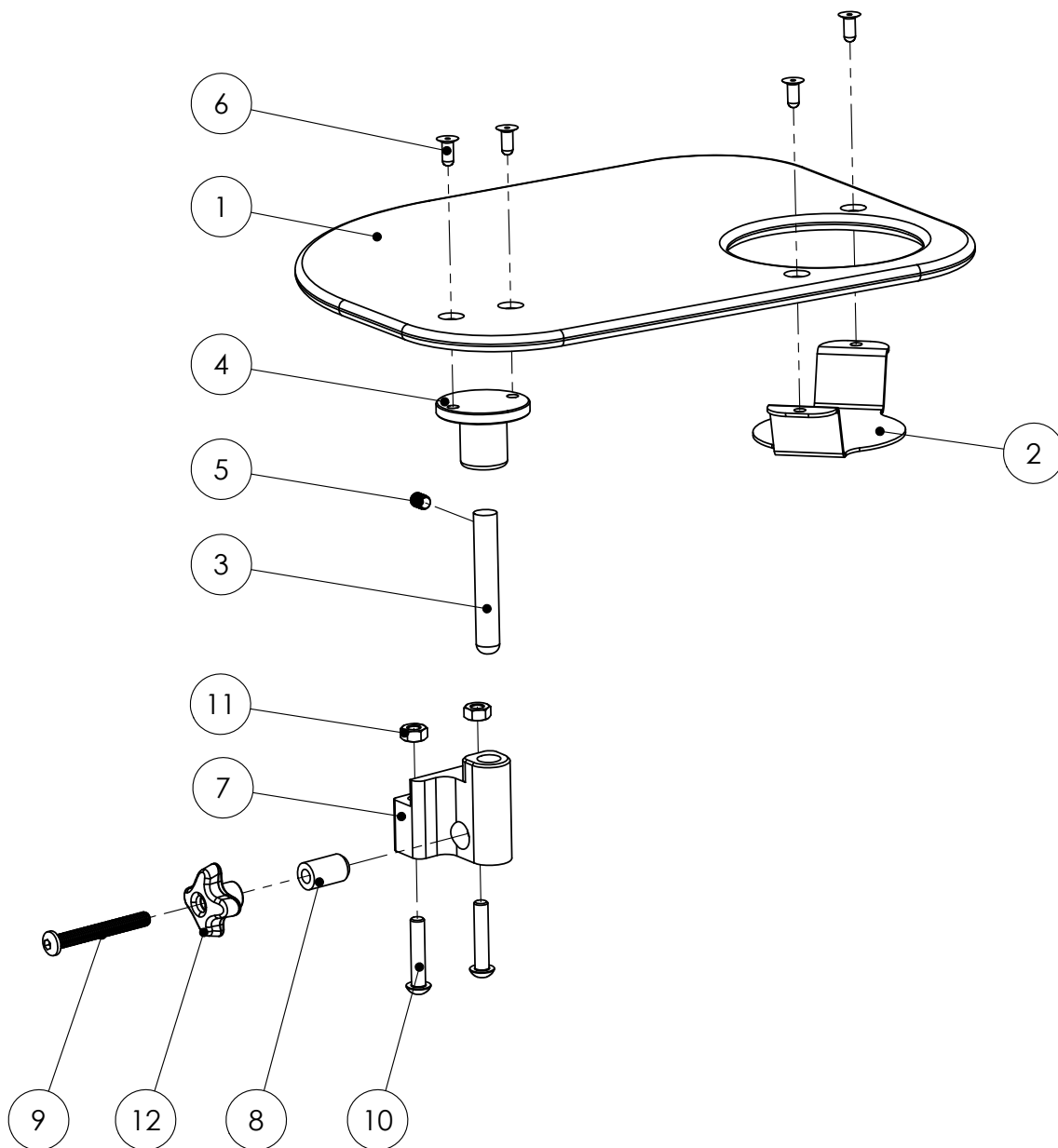
F2.3 - rev. A

rev. 2015-06-30

Pos.	Art.no.	Description	Incl.
	<b>69581-5</b>	<b>MUG TRAY OAK cpl with mount Left</b>	1-12
	<b>69582-5</b>	<b>MUG TRAY OAK cpl with mount Right</b>	1-12
	<b>69581</b>	<b>MUG TRAY OAK Left</b>	1-6
	<b>69582</b>	<b>MUG TRAY OAK Right</b>	1-6
	<b>69585-1</b>	<b>MOUNT for Mug Tray with lock Left</b>	7-12
	<b>69585-2</b>	<b>MOUNT for Mug Tray with lock Right</b>	7-12
1		TRAY TOP OAK	
2		CUPHOLDER	
3		PIN Table	
4		HOLDER	
5	81315	SCREW P6SS M6x8	
6	81446	BLIND RIVET 4,8x12x120	
7		BRACKET Mug Tray Left	
7		BRACKET Mug Tray Right	
8		SPACER Mug Tray	
9		SCREW K6S M6x50 SV	
10	81340	SCREW K6S M6x30 FZB	
11	81505	NUT M6M 6 FZB	
12		KNOB M6	

Muggbord kpl med fäste

Denna ritning får ej kopieras eller överlåtas utan tillstånd av HD Rehab AB



**Spare parts****HD Balance****F2.4**Refers to exploded view: **Table Tray Mounts**

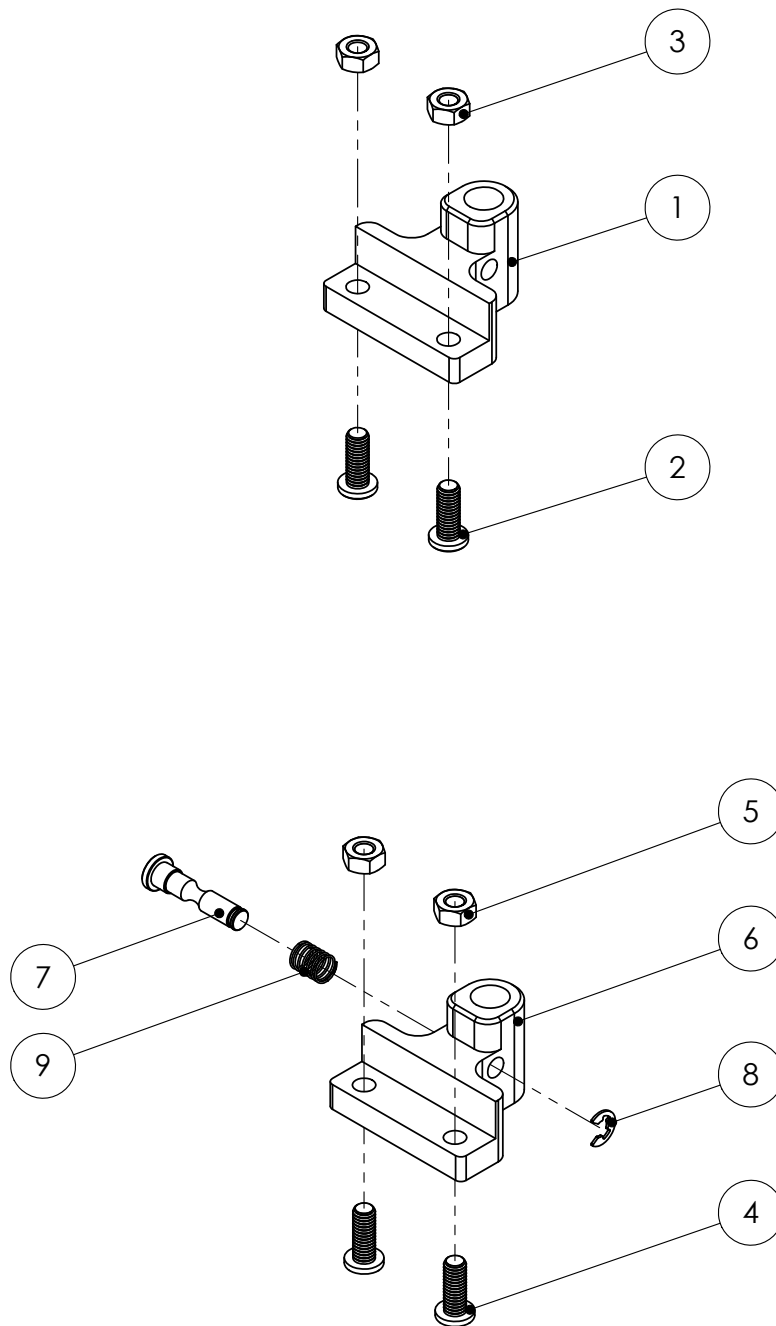
F2.4 - rev. A

rev. 2015-08-30

Pos.	Art.no.	Description	Incl.
	<b>69515-1</b>	<b>TABLE TRAY MOUNTS Standard, 1 pair</b>	<b>1-3</b>
1		MOUNT for Table Tray	
2	81294	SCREW K6S M6x16 fzb	
3	81505	NUT M6M 6 fzb	
	<b>69515-5</b>	<b>TABLE TRAY MOUNTS with Lock, 1 pair</b>	<b>4-9</b>
		MOUNT for Table Tray with Lock Left	6-9
		MOUNT for Table Tray with Lock Right	6-9
4	81294	SCREW K6S M6x16 fzb	
5	81505	NUT M6M 6 fzb	
6		MOUNT Table Tray	
7		LOCKING PIN	
8	81714	CIRCLIP RS-5	
9		SPRING	

Fäste bord standard & med låsning

Denna ritning får ej kopieras eller överlåtas utan tillstånd av HD Rehab AB



**Spare parts****HD Balance****F3.1**

Refers to exploded view: Neckrest

F3.1 - rev. B

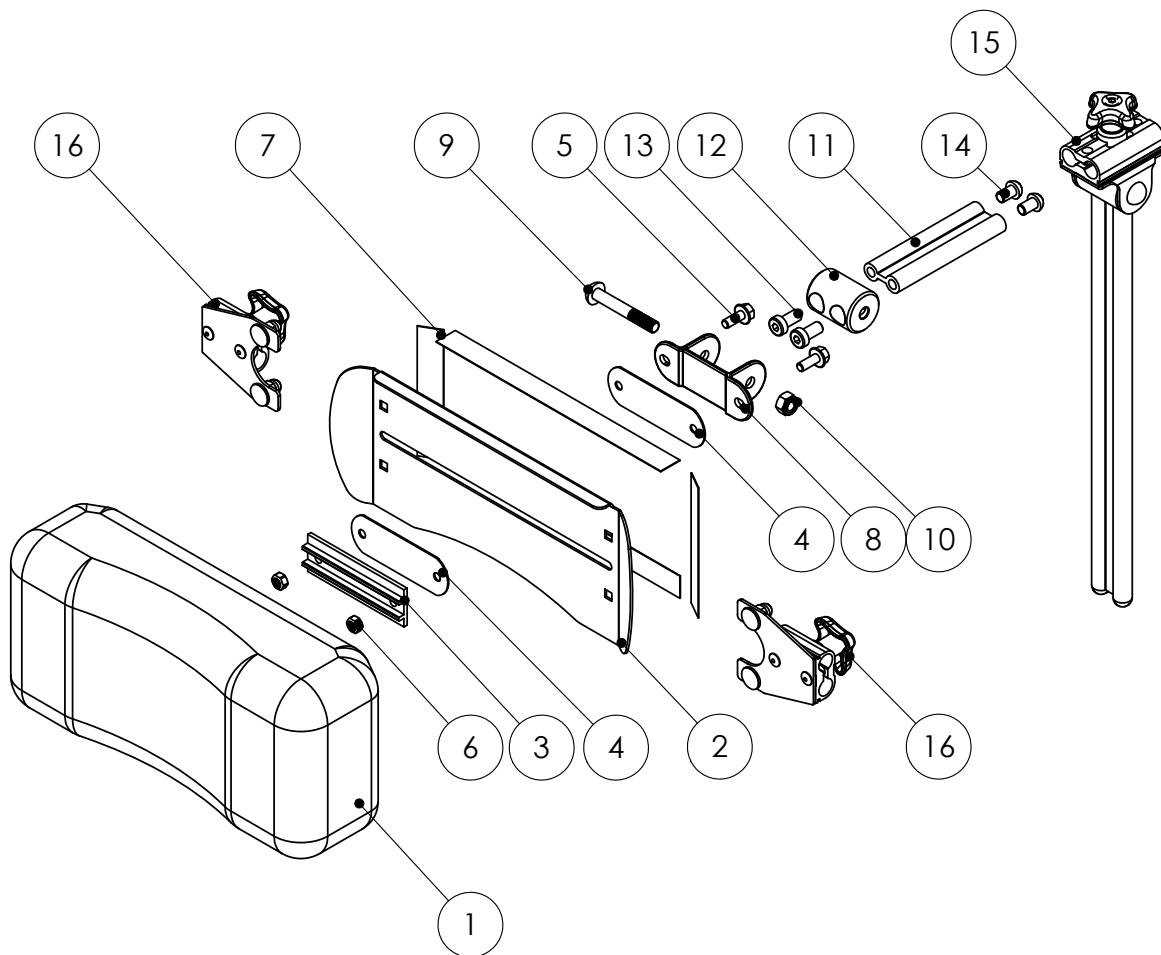
rev. 2015-08-30

Pos.	Art.no.	Description	Incl.
	<b>69111-1</b>	<b>NECKREST SIDE adjustable cpl Grey Show</b>	1-15
	<b>69111-2</b>	<b>NECKREST SIDE adjustable cpl Dartex</b>	1-15
	<b>69111-3</b>	<b>NECKREST SIDE adjustable cpl Black Trevira</b>	1-15
	<b>69114-1</b>	<b>NECKREST SIDE+ adjustable with bracket cpl Grey</b>	1-16
	<b>69114-2</b>	<b>NECKREST SIDE+ adjustable with bracket cpl Dartex</b>	1-16
	<b>69114-3</b>	<b>NECKREST SIDE+ adjustable with bracket cpl Black</b>	1-16
1		PAD Neckrest	
1	49926	COVER Neckrest Side adjustable Grey Show	
1	49927	COVER Neckrest Side adjustable Dartex	
1	49953	COVER Neckrest Side adjustable Black Trevira	
2		PLATE Neckrest	
3		PROFILE Neckrest	
4		WASHER Plastic	
5	81194	SCREW M6SF M6x16 fzb	
6	81522	LOCKING NUT M6	
7	87013	VELCRO 20mm, Hook	
	12780	BAR Headrest with bracket	8-14
	12783	PROFILE Headrest Bar	11-14
8	12789-2	BRACKET PLATE	
9	81216	SCREW DIN 607 M8x55	
10	81523	LOCKING NUT M8 fzb	
11		BAR PROFILE Headrest	
12		JOINT Connector	
13	81230	SCREW MLC6S M8x16	
14	82137	COVER PLUG 12.5x7.5	
15	69141	EXTENSION BAR Headrest/Neckrest	see page F3.6
16	69118-1	BRACKET, Lateral Neck Support	see page F3.2



Nackstöd

Denna ritning får ej kopieras eller överlätas utan tillstånd av HD Rehab AB



**Spare parts****HD Balance****F3.2**Refers to exploded view: **Lateral Neck Support & Bracket**

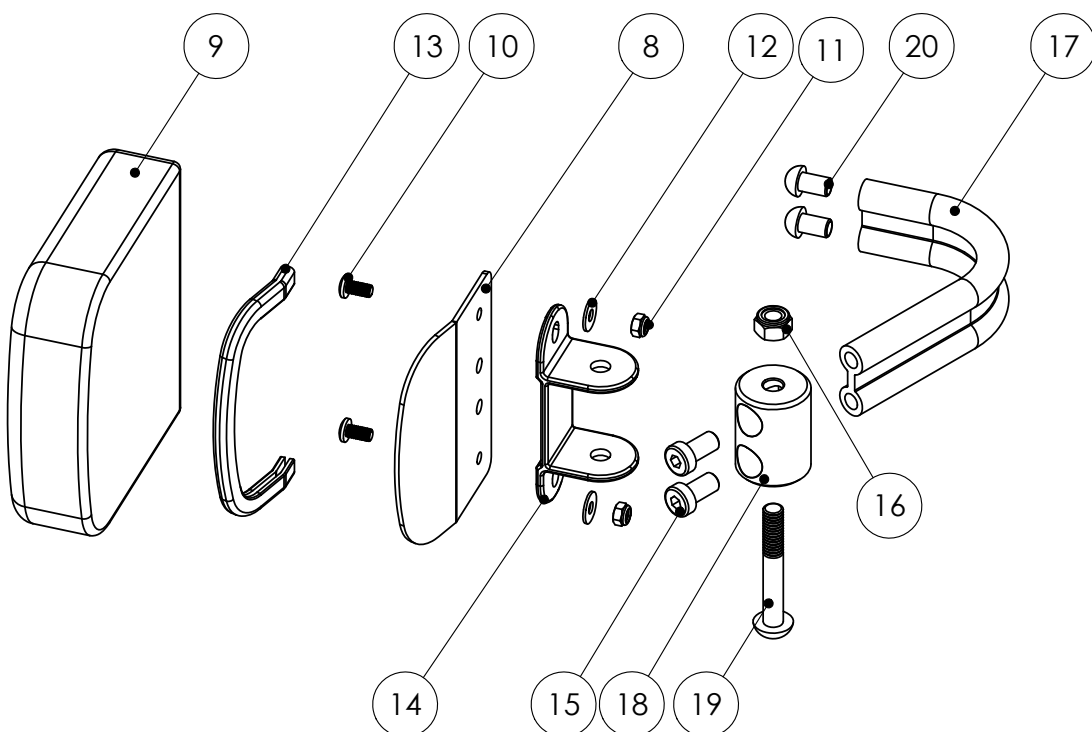
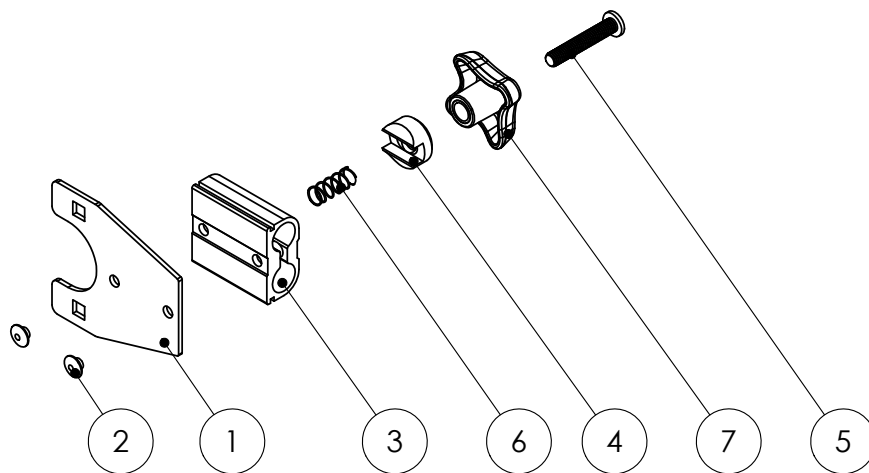
F3.2 - rev. B

rev. 2018-02-26

Pos.	Art.no.	Description	Incl.
	<b>69118-1</b>	<b>BRACKET Lateral Neck Support</b>	
1		PLATE for Bracket	
	69119-1	HOUSING Lateral Head Support	3-7
2	81455	BLIND RIVET 4.8x8 ST/ST	
3		HOUSING	
4		WASHER profile	
5		SCREW K6S M6x35 sv.	
6		SPRING	
7		KNOB M6	
	<b>69191-1</b>	<b>LATERAL NECK SUPPORT Grey Show</b>	8-20
	<b>69191-2</b>	<b>LATERAL NECK SUPPORT Dartex</b>	8-20
	<b>69191-3</b>	<b>LATERAL NECK SUPPORT Black Trevira</b>	8-20
	12722-5	BEND Lateral Support cpl with bracket	14-20
8		PLATE Lateral Support	
9		PAD	
9	49931	COVER Lateral Support Grey Show	
9	49932	COVER Lateral Support Grey Dartex	
9	49941	COVER Lateral Support Black Trevira	
10	81342	SCREW K6S M5x10 sv.	
11	81521	LOCKING NUT M5	
12	81630	WASHER NB 5x13x1	
13		EDGE STRIP F125	
	12722-1	BEND Lateral Support cpl	17-20
14	12789-2	BRACKET Plate	
15	81216	SCREW DIN 607 M8x55	
16	81523	LOCKING NUT M8 fzb	
17		BEND Profile	
18		JOINT Connector	
19	81230	SCREW MLC6S M8x16	
20	82137	COVER PLUG 12.5x7.5	

Sidostöd & fäste till nackstöd

Denna ritning får ej kopieras eller överlämnas utan tillstånd av HD Rehab AB



**Spare parts****HD Balance****F3.3**Refers to exploded view: **Headrest Side & Side+**

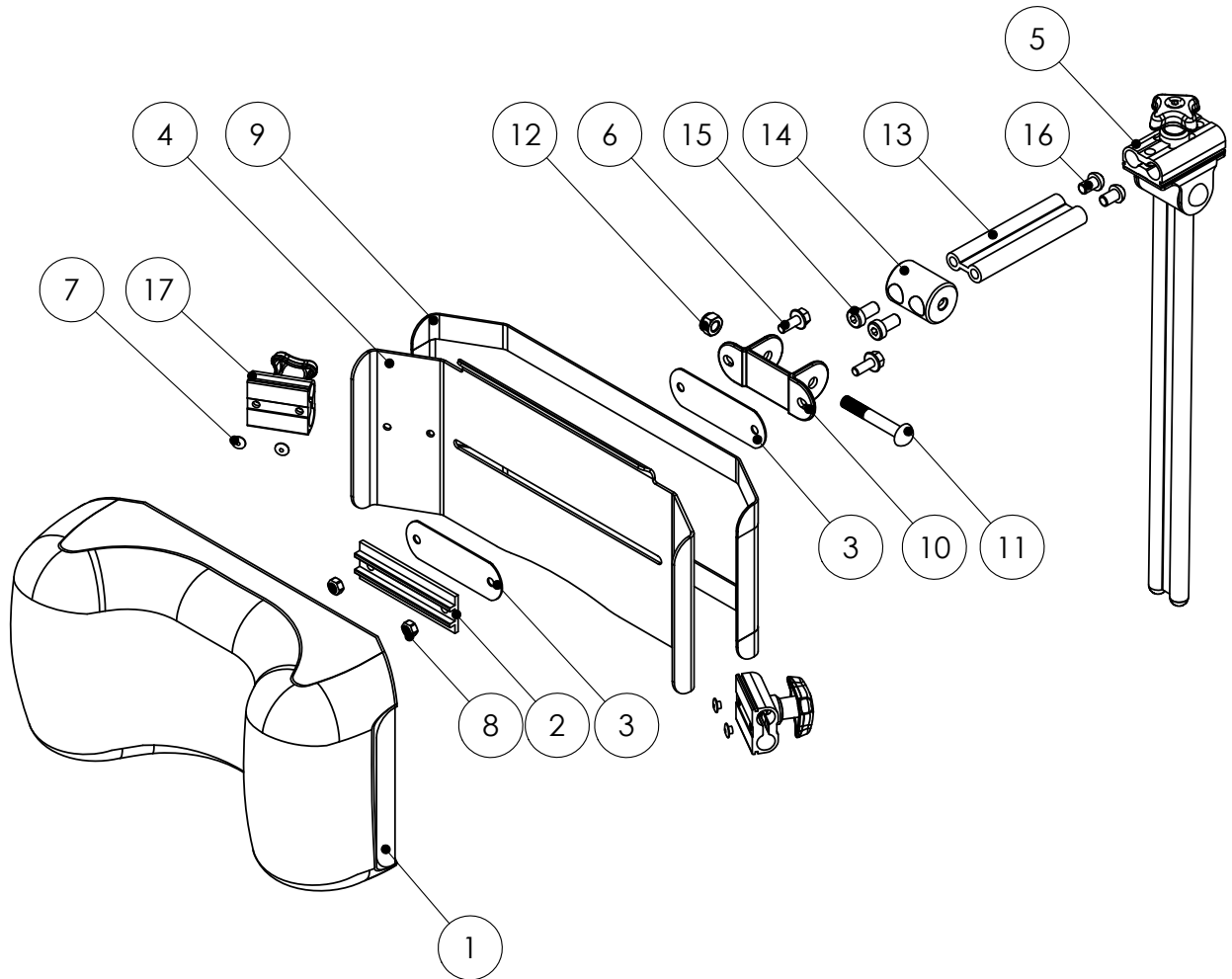
F3.3 - rev. B

rev. 2015-08-30

Pos.	Art.no.	Description	Incl.
	<b>69101-1</b>	<b>HEADREST SIDE Grey Show</b>	1-16
	<b>69101-2</b>	<b>HEADREST SIDE Dartex</b>	1-16
	<b>69101-3</b>	<b>HEADREST SIDE Black Trevira</b>	1-16
	<b>69104-1</b>	<b>HEADREST SIDE+ with brackets Grey Show</b>	1-17
	<b>69104-2</b>	<b>HEADREST SIDE+ with brackets Dartex</b>	1-17
	<b>69104-3</b>	<b>HEADREST SIDE+ with brackets Black Trevira</b>	1-17
1		PAD Headrest	
1	49921	COVER Headrest Side Grey Show	
1	49923	COVER Headrest Side Dartex	
1	49951	COVER Headrest Side Black Trevira	
2		PROFILE Neckrest	
3		WASHER Plastic	
	12780	BAR Headrest with bracket	10-16
4		PLATE Headrest	
5	69141	EXTENSION BAR Headrest/Neckrest	see page F3.6
6	81194	SCREW M6SF M6x16 fzb	
7	81455	BLIND RIVET 4.8x8 ST/ST	
8	81522	LOCKING NUT M6	
9		VELCRO 20mm	
	12783	PROFILE Headrest Bar	13-16
10	12789-2	BRACKET Plate	
11	81216	SCREW DIN 607 M8x55	
12	81523	LOCKING NUT M8 fzb	
13		BAR PROFILE Headrest	
14		JOINT Connector	
15	81230	SCREW MLC6S M8x16	
16	82137	COVER PLUG 12.5x7.5	
17	69119-1	HOUSING Lateral Head Support	see page F3.4

Huvudstöd Side & Side+

Denna ritning får ej kopieras eller överlätas utan tillstånd av HD Rehab AB



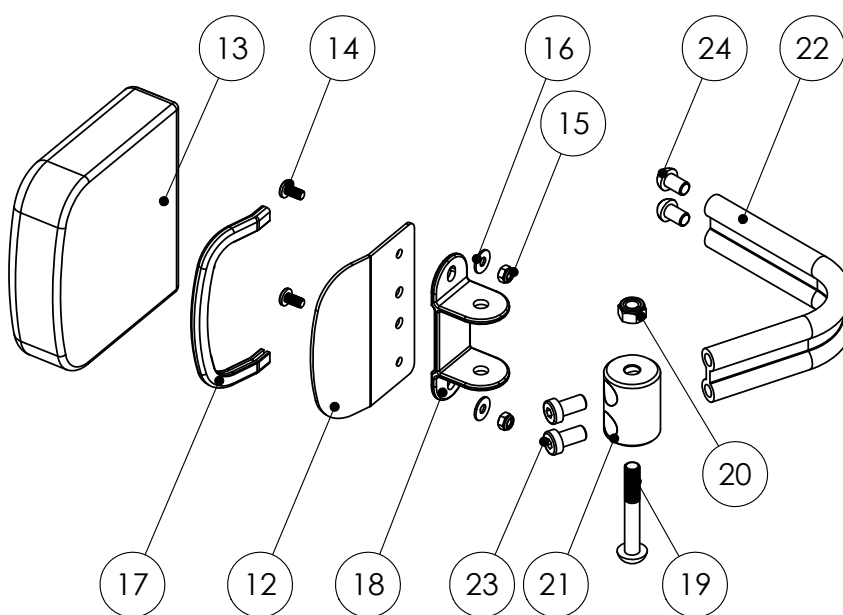
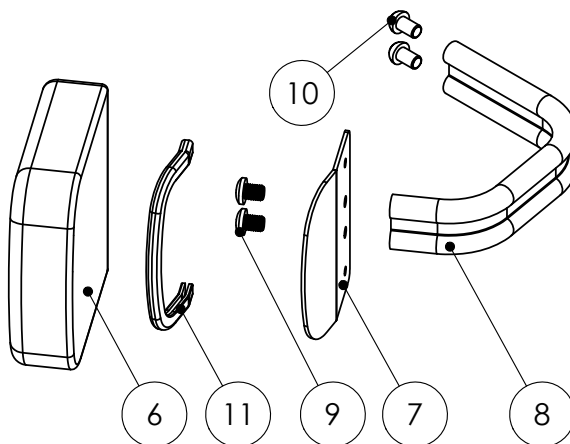
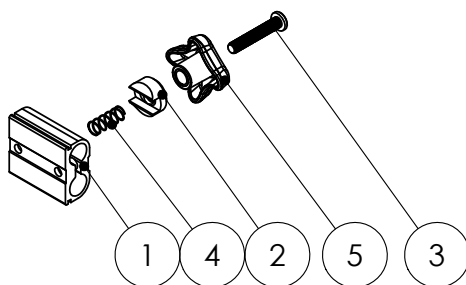
**Spare parts****HD Balance****F3.4**Refers to exploded view: **Lateral Head Support & Housing**  
F3.4 - rev. B

rev. 2018-02-26

Pos.	Art.no.	Description	Incl.
	<b>69119-1</b>	<b>HOUSING Lateral Head Support</b>	1-5
1		HOUSING	
2		WASHER	
3		SCREW K6S M6x35 sv blk	
4		SPRING	
5		KNOB M6 Braga 40x23	
	<b>69181-1</b>	<b>LATERAL HEAD SUPPORT Fixed angle Grey</b>	
	<b>69181-2</b>	<b>LATERAL HEAD SUPPORT Fixed angle Dartex</b>	
	<b>69181-3</b>	<b>LATERAL HEAD SUPPORT Fixed angle Black</b>	
6		PAD Thoracic Support	
6	49931	COVER Side Support Headrest Grey Show	
6	49932	COVER Side Support Headrest Dartex	
6	49941	COVER Side Support Headrest Black Trevira BAR with Plate	7-11
7		PLATE Lateral Support	
8		BAR	
9	81293	SCREW K6S M6x10 sv.	
10	82135	COVER PLUG 12.5x5	
11		EDGE STRIP F125	
	<b>69182-1</b>	<b>LATERAL HEAD SUPPORT adjustable angle Grey</b>	12-24
	<b>69182-2</b>	<b>LATERAL HEAD SUPPORT adjustable angle Dartex</b>	12-24
	<b>69182-3</b>	<b>LATERAL HEAD SUPPORT adjustable angle Black</b>	12-24
12		PLATE Lateral support	
13		PAD Thoracic Support	
13	49931	COVER Side Support Headrest Grey Show	
13	49932	COVER Side Support Headrest Dartex	
13	49941	COVER Side Support Headrest Black Trevira	
	69186-1	BAR cpl with Bracket Side Support	18-24
14	81342	SCREW K6S M5x10 sv.	
15	81521	LOCKING NUT M5	
16	81630	WASHER NB 5x13x1	
17		EDGE STRIP F125	
18	12789-2	BRACKET PLATE BAR cpl Side Support	21-24
19	81216	SCREW DIN 607 M8x55	
20	81523	LOCKING NUT M8 fzb	
21		JOINT Connector	
22		BAR	
23	81230	SCREW MLC6S M8x16	
24	82137	COVER PLUG 12.5x7.5	

Sidostöd och fäste till huvudstöd

Denna ritning får ej kopieras eller överlåtas utan tillstånd av HD Rehab AB



**Spare parts****HD Balance****F3.5**Refers to exploded view: **Headrest Basic**  
F3.5 - rev. A

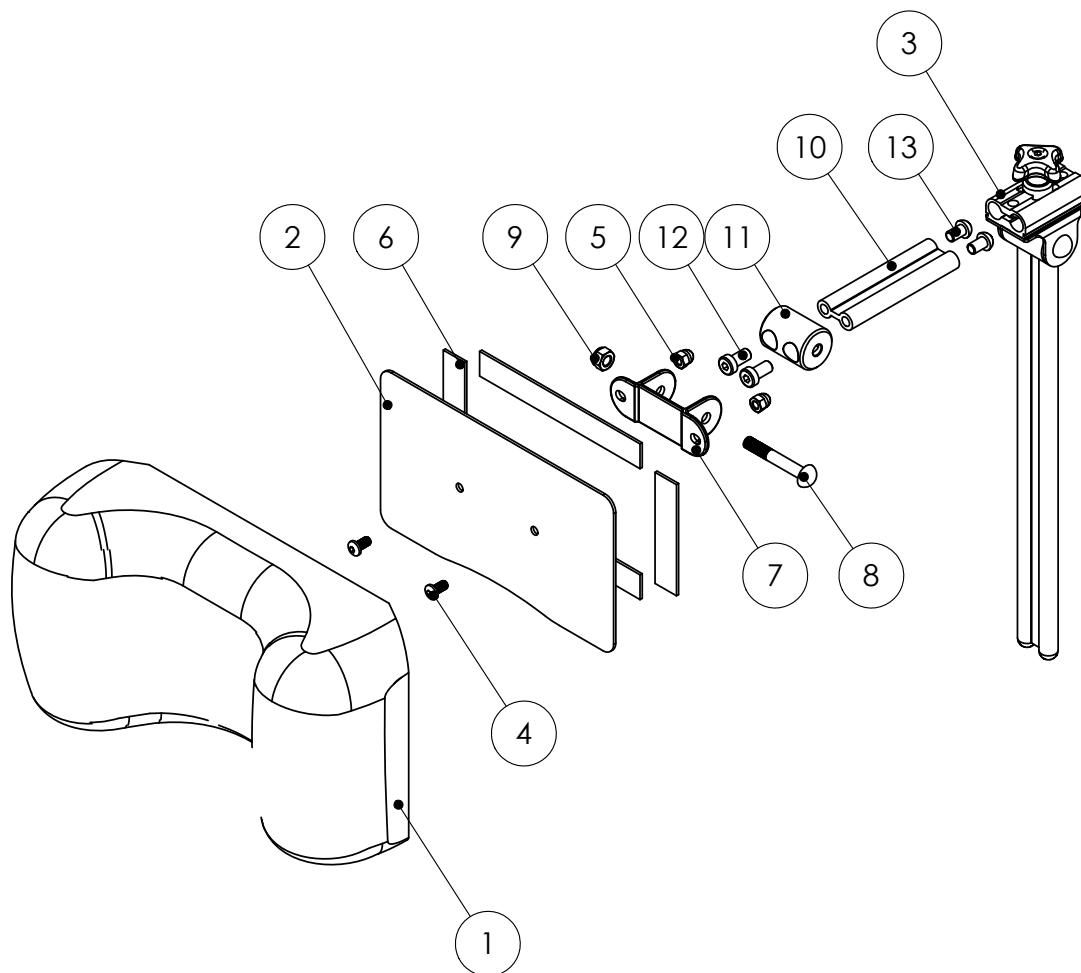
rev. 2018-02-26

Pos.	Art.no.	Description	Incl.
	<b>69108-1</b>	<b>HEADREST Basic Grey Show</b>	1-13
	<b>69108-2</b>	<b>HEADREST Basic Dartex</b>	1-13
	<b>69108-3</b>	<b>HEADREST Basic Black Trevira</b>	1-13
1		PAD Headrest	
1	49922	COVER Headrest Basic Grey Show	
1	49924	COVER Headrest Basic Grey Dartex	
1	49952	COVER Headrest Basic Grey Black Trevira	
	12780	BAR Headrest with Bracket	7-13
2		PLATE Headrest Simple Black	
3	69141	EXTENSION BAR Headrest/Neckrest	see page F3.6
4	81195	SCREW M6SF M6x12 fzb	
5	81522	LOCKING NUT M6	
6	87013	VELCRO 20mm Hook self-adhesive	
	12783	PROFILE Headrest Bar	10-13
7	12789-2	BRACKET Plate	
8	81216	SCREW DIN 607 M8x55	
9	81523	LOCKING NUT fzb	
10		BAR PROFILE Headrest	
11		JOINT Connector	
12	81230	SCREW MLC6S M8x16	
13	82137	COVER PLUG 12.5x7.5	



Huvudstöd Basic

Denna ritning får ej kopieras eller överlämnas utan tillstånd av HD Rehab AB



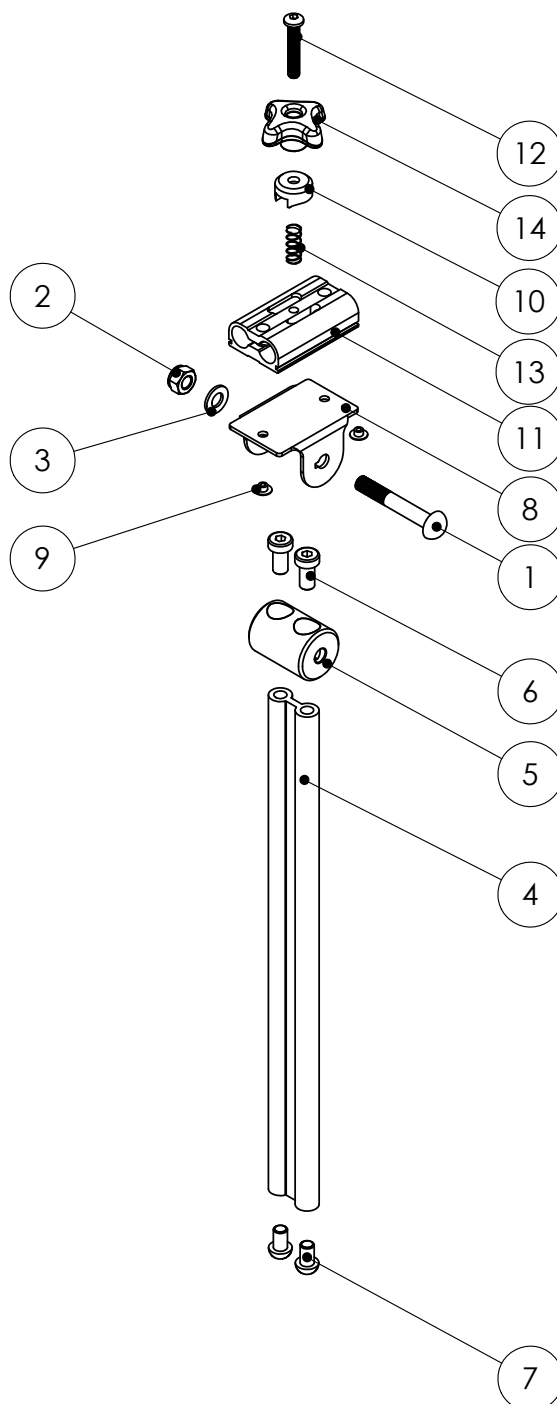
**Spare parts****HD Balance****F3.6**Refers to exploded view: **Extension Bar Headrest/Neckrest**  
F3.6 - rev. A

rev. 2015-08-30

Pos.	Art.no.	Description	Incl.
	<b>69141</b>	<b>EXTENSION BAR Headrest/Neckrest</b>	1-14
	12795-5	PROFILE Extension Bar	4-7
	69145	BRACKET cpl Extension Bar	8-14
1	81216	SCREW DIN 607 M8x55	
2	81523	LOCKING NUT M8 fzb	
3	81603	WASHER BRB8.4x16x1.5	
4		PROFILE BAR 320	
5		JOINT Connector	
6	81230	SCREW MLC6S M8x16	
7	82137	COVER PLUG 12.5x7.5	
		HOUSING Extension Bar cpl	10-14
8		TILT PLATE	
9		BLIND RIVET 4.8x8 ST/ST	
10		WASHER	
11		HOUSING	
12		SCREW K6S M6x35 sv.	
13		SPRING	
14		KNOB M6 Braga 40x23	

Ställrör huvudstöd/nackstöd kpl

Denna ritning får ej kopieras eller överlätas utan tillstånd av HD Rehab AB



**Spare parts****HD Balance****F4.1**Refers to exploded view: **Fastening Belt, Bag hook & Profile stop**

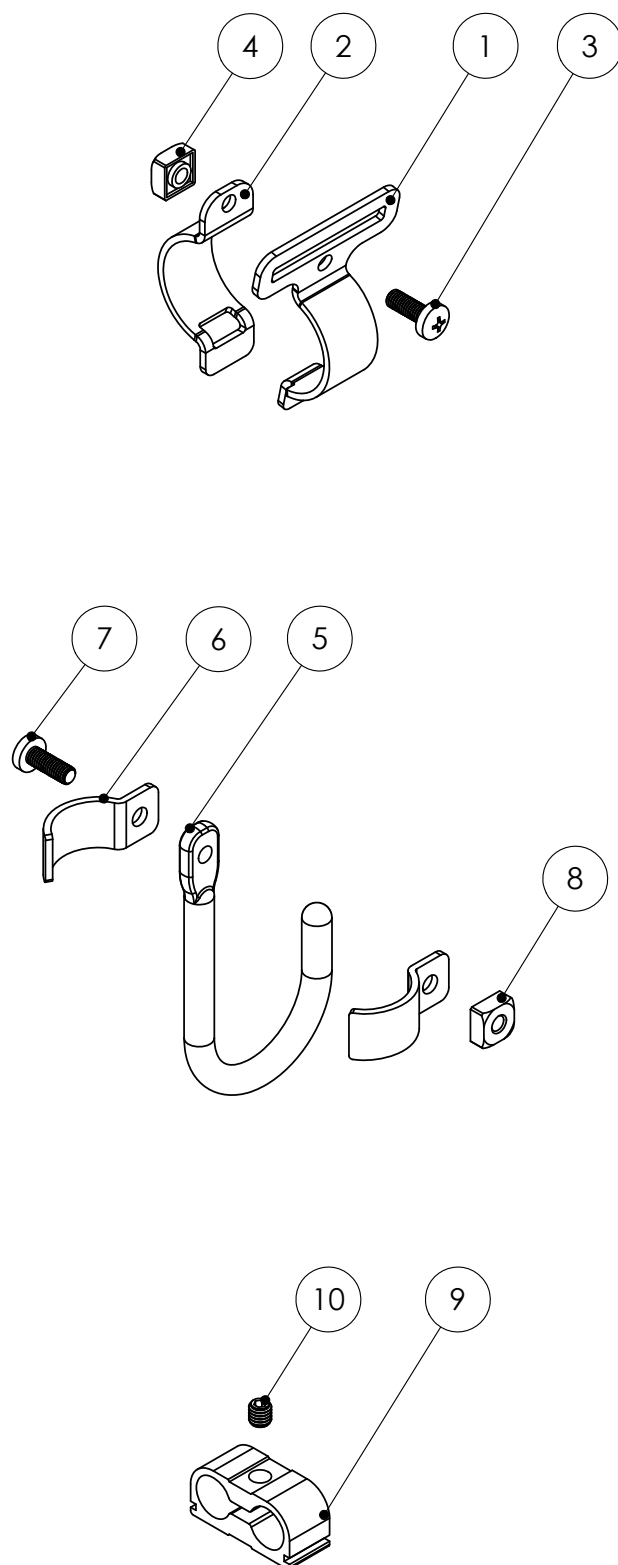
F4.1 - rev. B

rev. 2015-08-30

Pos.	Art.no.	Description	Incl.
	<b>69710-1</b>	<b>FASTENING BELT Set, 2pcs</b>	1-4
	69710	FASTENING Belt (1pcs)	1-4
1		CLAMP External	
2		CLAMP Internal	
3	81116	SCREW MRX 5x14	
4		SQUARE NUT M5	
	<b>13605-1</b>	<b>BAG HOOK, Pair</b>	5-8
	<b>13605</b>	<b>BAG HOOK</b>	5-8
5		HOOK BAR	
6		CLAMP Bag Hook	
7	81116	SCREW MRX 5x14	
8		SQUARE NUT M5	
	<b>12799-1</b>	<b>PROFILE STOP with screw, 10pcs</b>	9-10
	<b>12799</b>	<b>PROFILE STOP with screw</b>	9-10
9		PROFILE STOP	
10	81331	SCREW P6SS M6x6	

Fäste bälte, väskkrok & profilstopp

Denna ritning får ej kopieras eller överlätas utan tillstånd av HD Rehab AB



**Spare parts****HD Balance****F5.1**Refers to exploded view: **Pommel & fastening Pommel**

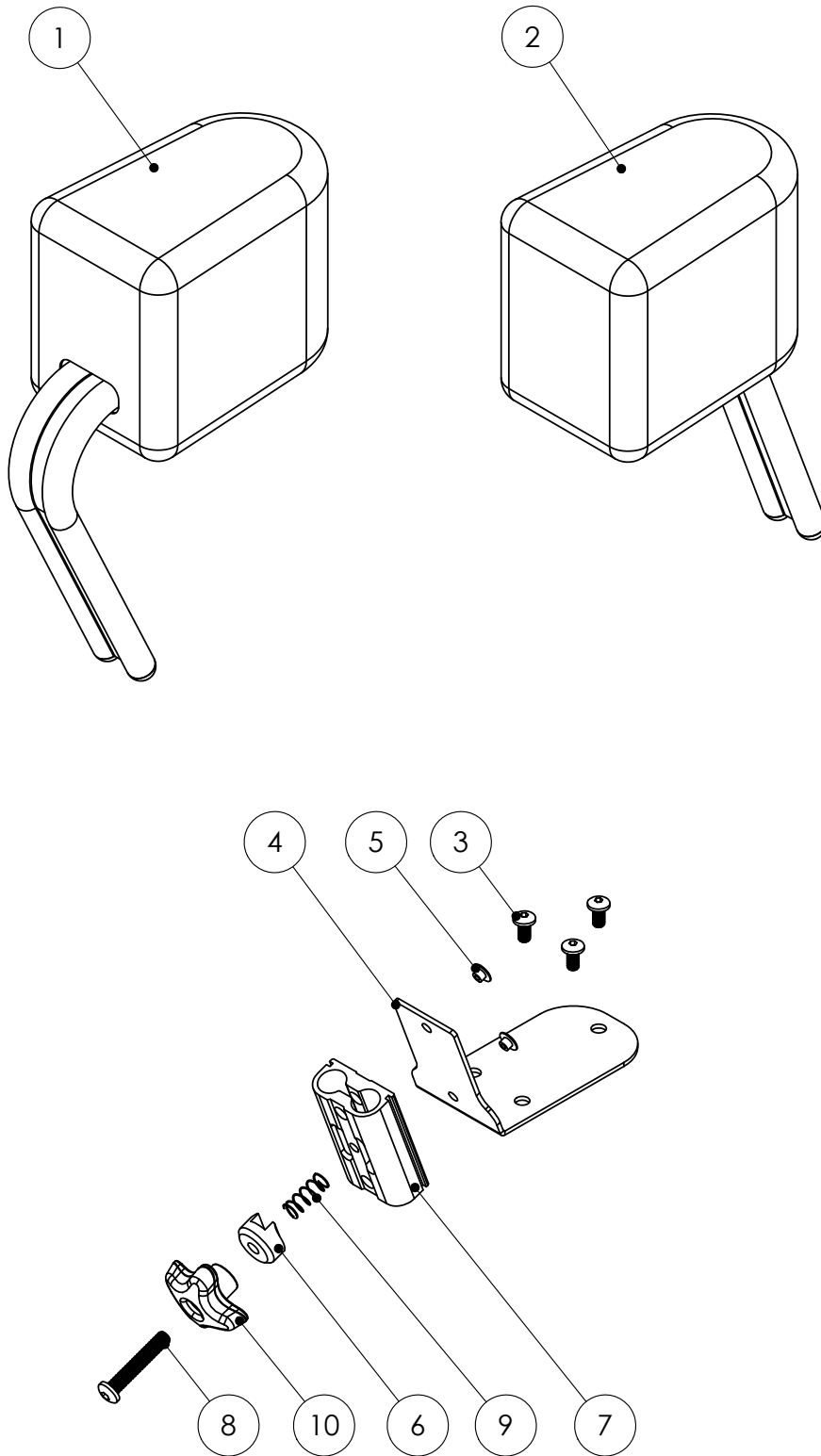
F5.1 - rev. A

rev. 2015-08-30

Pos.	Art.no.	Description	Incl.
1	<b>69605-2</b>	<b>POMMEL SMALL</b>	
1	<b>69606-2</b>	<b>POMMEL BIG</b>	
2	<b>69615-2</b>	<b>POMMEL SMALL Moved Forward</b>	
2	<b>69616-2</b>	<b>POMMEL BIG Moved Forward</b>	
	<b>69620-1</b>	<b>FASTENING POMMEL cpl</b>	3-10
	69620	FASTENING Pommel	4-10
3	81342	SCREW K6S M5x10 sv.	
4		PLATE Fastening Pommel HOUSING cpl	6-10
5		BLIND RIVET 4.8x8 ST/ST	
6		WASHER	
7		HOUSING	
8		SCREW K6S M6x35 sv.	
9		SPRING	
10		KNOB M6 Braga 40x23	

**Bendelare & Bendelarfäste**

Denna ritning får ej kopieras eller överlämnas utan tillstånd av HD Rehab AB



**Spare parts****HD Balance****F6.1**Refers to exploded view: **Harness Brackets set for Flexi Back**

F6.1 - rev. B

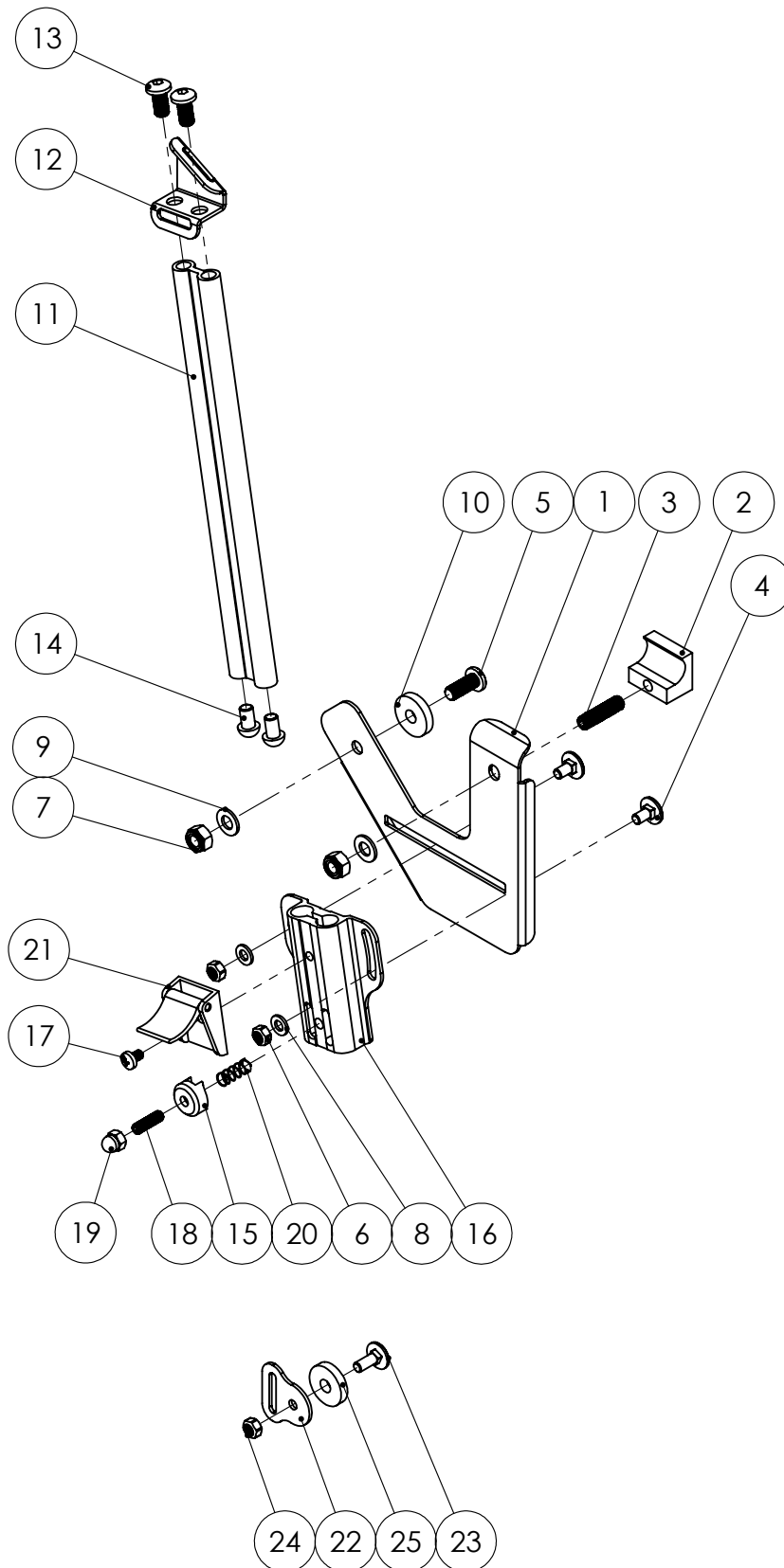
rev. 2018-02-26

Pos.	Art.no.	Description	Incl.
	<b>69720-5</b>	<b>HARNESS Bracket set 2pcs with Strap Holder</b>	1-25
	<b>69720-1</b>	<b>HARNESS Bracket set 2pcs</b>	1-21
	<b>69721-1</b>	<b>BRACKET Plate Harness cpl Left</b>	1-10
	<b>69721-2</b>	<b>BRACKET Plate Harness cpl Right</b>	1-10
	<b>69724-1</b>	<b>EXTENSION BAR Harness Bracket Left</b>	11-14
	<b>69724-2</b>	<b>EXTENSION BAR Harness Bracket Right</b>	11-14
	<b>69725-5</b>	<b>STRAP HOLDER Harness Bracket</b>	22-25
1		BRACKET PLATE Left	
1		BRACKET PLATE Right	
2		CLAMPING Block Harness bracket	
	69723-5	HOUSING Harness Bracket cpl Left	15-21
	69723-6	HOUSING Harness Bracket cpl Right	15-21
3		SCREW SK6SS M8x30	
4	81335	SCREW MVBF M6x12 FZB	
5	81345	SCREW K6S M8x20 FZB	
6	81522	LOCKING NUT M6	
7	81523	LOCKING NUT M8 FZB	
8	81602	WASHER BRB6,4x12x1,5	
9	81603	WASHER BRB8,4x16x1,5	
10	81674	WASHER Plastic 25x5x8	
11		BAR Profile 260	
12		PLATE Starp Holder Left	
12		Plate Starp Holder Right	
13	81350	SCREW K6S M8x16 SV.	
14	82137	COVER PLUG 12,5x7,5	
15		WASHER	
16		HOUSING Harness Bracket Left	
16		HOUSING Harness Bracket Right	
17		SKRUV MRX 5X8	
18		SCREW P6SS M6x20	
19	81529	NUT DIN 986 M6 fzb	
20	81896	SPRING	
21		FIXLOCK 325 strap	
22		STRAP HOLDER Plate Lower	
23	81217	SCREW MVBF M6x16 FZB	
24	81522	LOCKING NUT M6	
25	81674	WASHER Plastic 25x5x8	



Fäste Bröstsele för Flexirygg

Denna ritning får ej kopieras eller överlåtas utan tillstånd av HD Rehab AB



**Spare parts****HD Balance****F6.2**Refers to exploded view: **Harness Bracket set Solid Back**

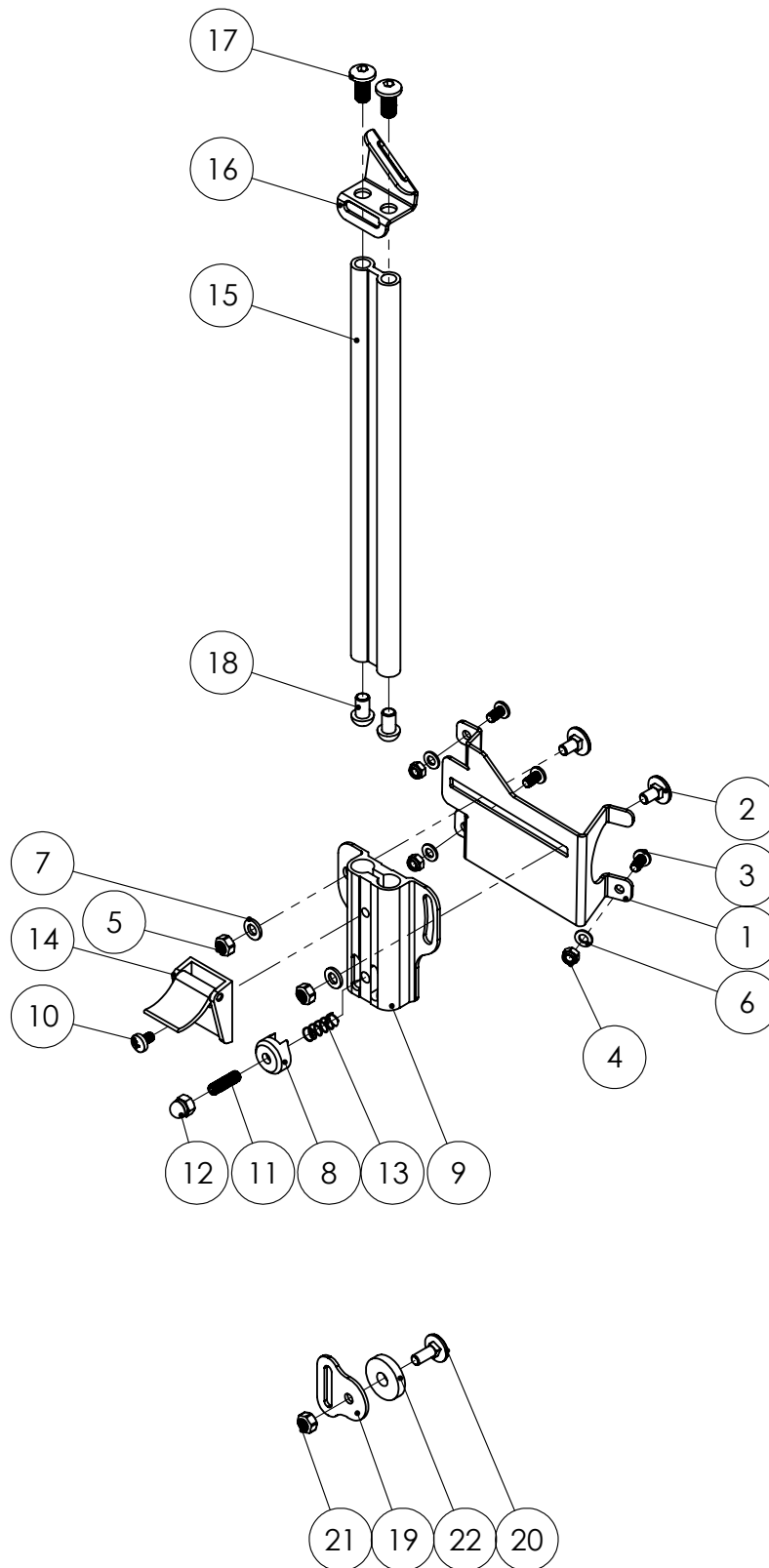
F6.2 - rev. B

rev. 2018-02-26

Pos.	Art.no.	Description	Incl.
	<b>69730-5</b>	<b>HARNESS BRACKET Set 2pcs with Strap Holder</b>	1-22
	<b>69730-1</b>	<b>HARNESS BRACKET Set 2pcs</b>	1-18
	<b>69731-1</b>	<b>BRACKET PLATE Harness cpl Left</b>	1-14
	<b>69731-2</b>	<b>BRACKET PLATE Harness cpl Right</b>	1-14
	<b>69724-1</b>	<b>EXTENSION BAR Harness Bracket cpl Left</b>	15-18
	<b>69724-2</b>	<b>EXTENSION BAR Harness Bracket cpl Right</b>	15-18
	<b>69725-5</b>	<b>STRAP HOLDER Harness Bracket</b>	19-22
	69723-5	HOUSING Harness Bracket cpl Left	8-14
	69723-6	HOUSING Harness Bracket cpl Right	8-14
1		BRACKET PLATE Harness bracket Left	
1		BRACKET PLATE Harness bracket Right	
2	81335	SCREW MVBF M6x12 FZB	
3	81342	SCREW K6S M5x10 SV.	
4	81521	LOCKING NUT M5	
5	81522	LOCKING NUT M6	
6	81601	WASHER BRB 5,3x10x1	
7	81602	WASHER BRB6,4x12x1,5	
8		WASHER	
9		HOUSING harness bracket Left	
9		HOUSING harness bracket Right	
10		SCREW MRX 5X8	
11		SCREW P6SS M6x20	
12	81529	NUT DIN 986 M6 FZB	
13		SPRING	
14		FIXLOCK 325 strap	
15		BAR PROFILE 260	
16		PLATE STRAP HOLDER Left	
16		PLATE STRAP HOLDER Right	
17	81350	SCREW K6S M8x16 SV.	
18	82137	COVER PLUG 12,5x7,5	
19		STRAP HOLDER Plate Lower	
20	81217	SCREW MVBF M6x16 FZB	
21	81522	LOCKING NUT M6	
22	81674	WASHER Plastic 25x5x8	

Fäste Bröstsele för Planrygg

Denna ritning får ej kopieras eller överlåtas utan tillstånd av HD Rehab AB



**Spare parts****HD Balance****F7.1**Refers to exploded view: **IV Pole & Bracket for IV Pole**

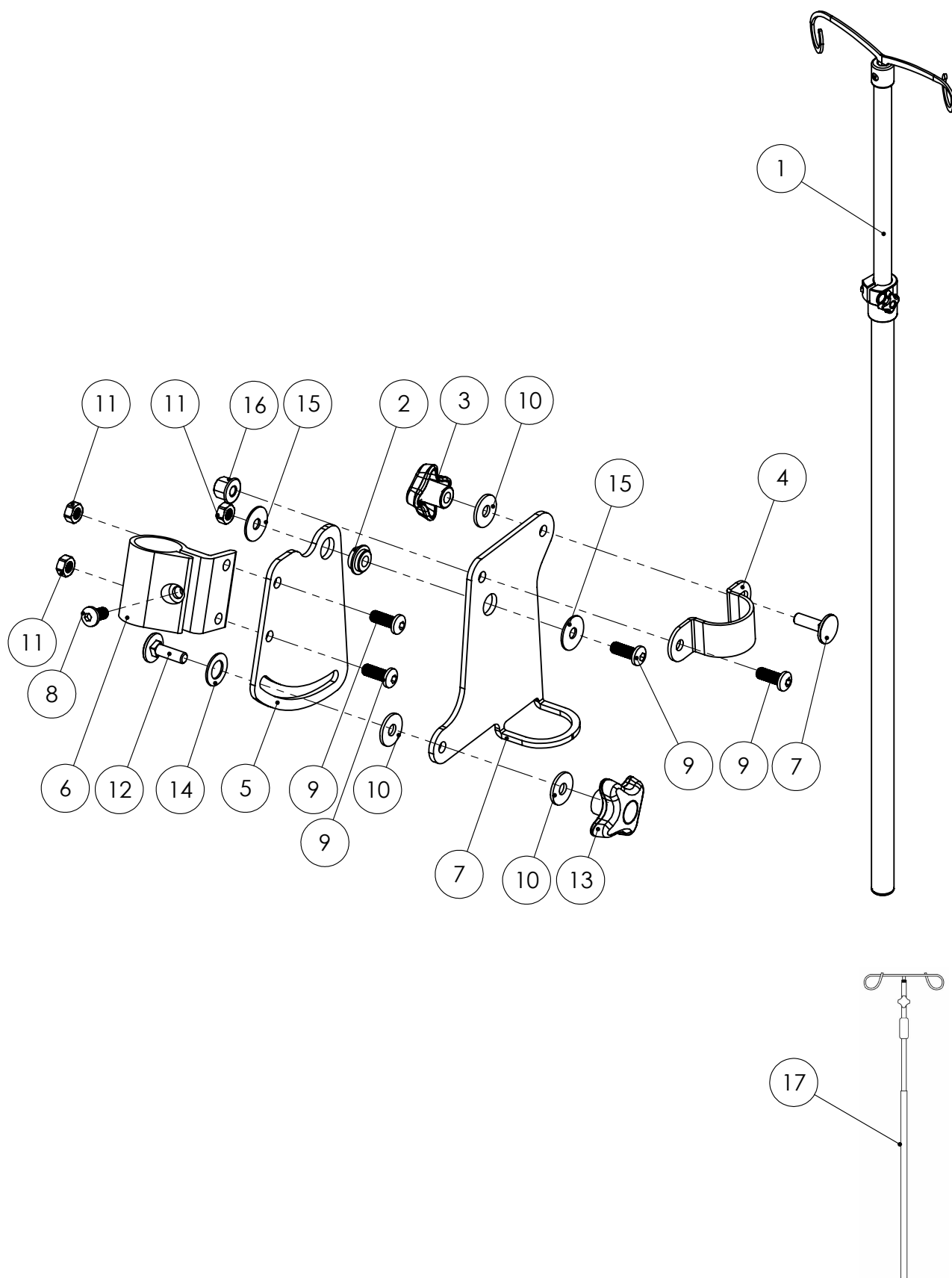
F7.1 - rev. B

rev. 2018-06-19

Pos.	Art.no.	Description	Incl.
	<b>69760-1</b>	<b>IV POLE with Bracket Left</b>	1-15
	<b>69760-2</b>	<b>IV POLE with Bracket Right</b>	1-15
1	<b>69760</b>	<b>IV POLE</b>	
	<b>69750-1</b>	<b>BRACKET for IV Pole Left for HD</b>	2-15
	<b>69750-2</b>	<b>BRACKET for IV Pole Right for HD</b>	2-15
2		WASHER Tilt Plate	
3	81951-5	KNOB M6 Braga 32x21	
4		PLATE CLAMP Bracket IV Pole	
5		FIXED PLATE Bracket IV Pole	
6		FASTENING CLAMP Bracket IV Pole	
7		MOVING PLATE Bracket IV Pole Left	
7		MOVING PLATE Bracket IV Pole Right	
8	81354	SCREW K6S M6x12 SV.	
9	81294	SCREW K6S M6x16 FZB	
10	81655	WASHER M6 6,4x18x1,6	
11	81522	LOCKING NUT M6	
12	81256	SCREW MVBF M6x20 SV.	
13	81952-5	KNOB M6 Braga 40x23	
14	81615	WASHER 10,2x18x1 FZB	
15	81620	WASHER NB 6x19x1 sv.	
16	81545	NUT DIN 6926 M6 High	
17	<b>69756</b>	<b>IV POLE RINI (RONDA)</b>	Discontinued 2016-05-17

Droppställning HD inkl fäste

Denna ritning får ej kopieras eller överlätas utan tillstånd av HD Rehab AB



**Spare parts****HD Balance****F8.1**Refers to exploded view: **Extra Side Padding**

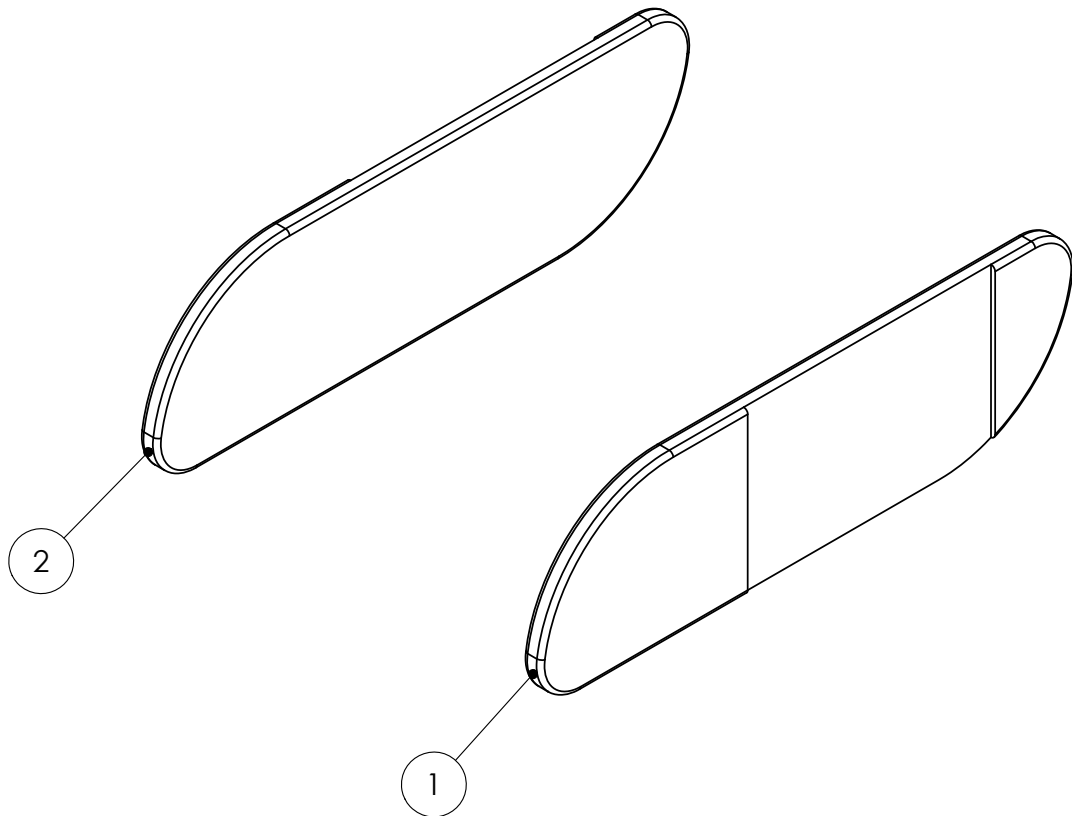
F8.1 - rev. A

rev. 2015-06-30

Pos.	Art.no.	Description	Incl.
	<b>69680</b>	<b>EXTRA SIDE PADDING 1cm Soft, Pair</b>	1-2
1	69681	EXTRA Side Padding Left 1cm Soft	
2	69682	EXTRA Side Padding Right 1cm Soft	

Utfyllnadskudde

Denna ritning får ej kopieras eller överlåtas utan tillstånd av HD Rehab AB



**Spare parts****HD Balance****F9.1**Refers to exploded view: **Footplate Pads & Pads One Piece**

F9.1 - rev. A

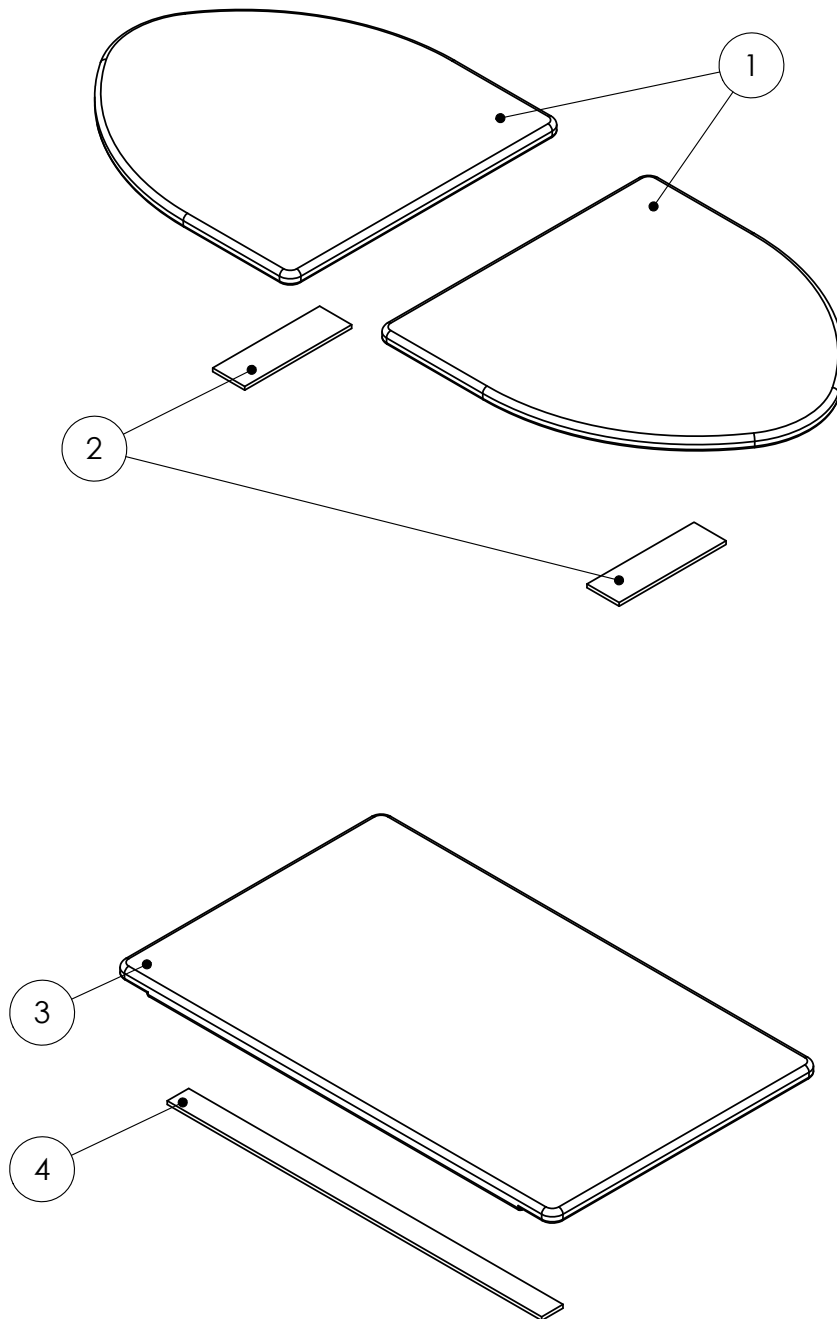
rev. 2015-08-30

Pos.	Art.no.	Description	Incl.
	<b>62991-1</b>	<b>FOOTPLATE PADS sw38-42, 2pcs</b>	1-2
	<b>64991-1</b>	<b>FOOTPLATE PADS sw46-50, 2pcs</b>	1-2
1		FOOTPLATE PAD Small	
1		FOOTPLATE PAD Large	
2	87001	VELCRO 30mm Loop self-adhesive	
	<b>62993-1</b>	<b>FOOTPLATE PAD One Piece sw38 cpl</b>	3-4
	<b>63993-1</b>	<b>FOOTPLATE PAD One Piece sw42 cpl</b>	3-4
	<b>64993-1</b>	<b>FOOTPLATE PAD One Piece sw46 cpl</b>	3-4
	<b>65993-1</b>	<b>FOOTPLATE PAD One Piece sw50 cpl</b>	3-4
3		FOOTPLATE Pad one piece sw38	
3		FOOTPLATE Pad one piece sw42	
3		FOOTPLATE Pad one piece sw46	
3		FOOTPLATE Pad one piece sw50	
4	87013	VELCRO 20mm Hook self-adhesive	



Fotplattspolstring delad och hel fotplatta

Denna ritning får ej kopieras eller överlätas utan tillstånd av HD Rehab AB



**Spare parts****HD Balance****F10.1**Refers to exploded view: **Electrical Actuators for Seat Tilt & Back Recline**

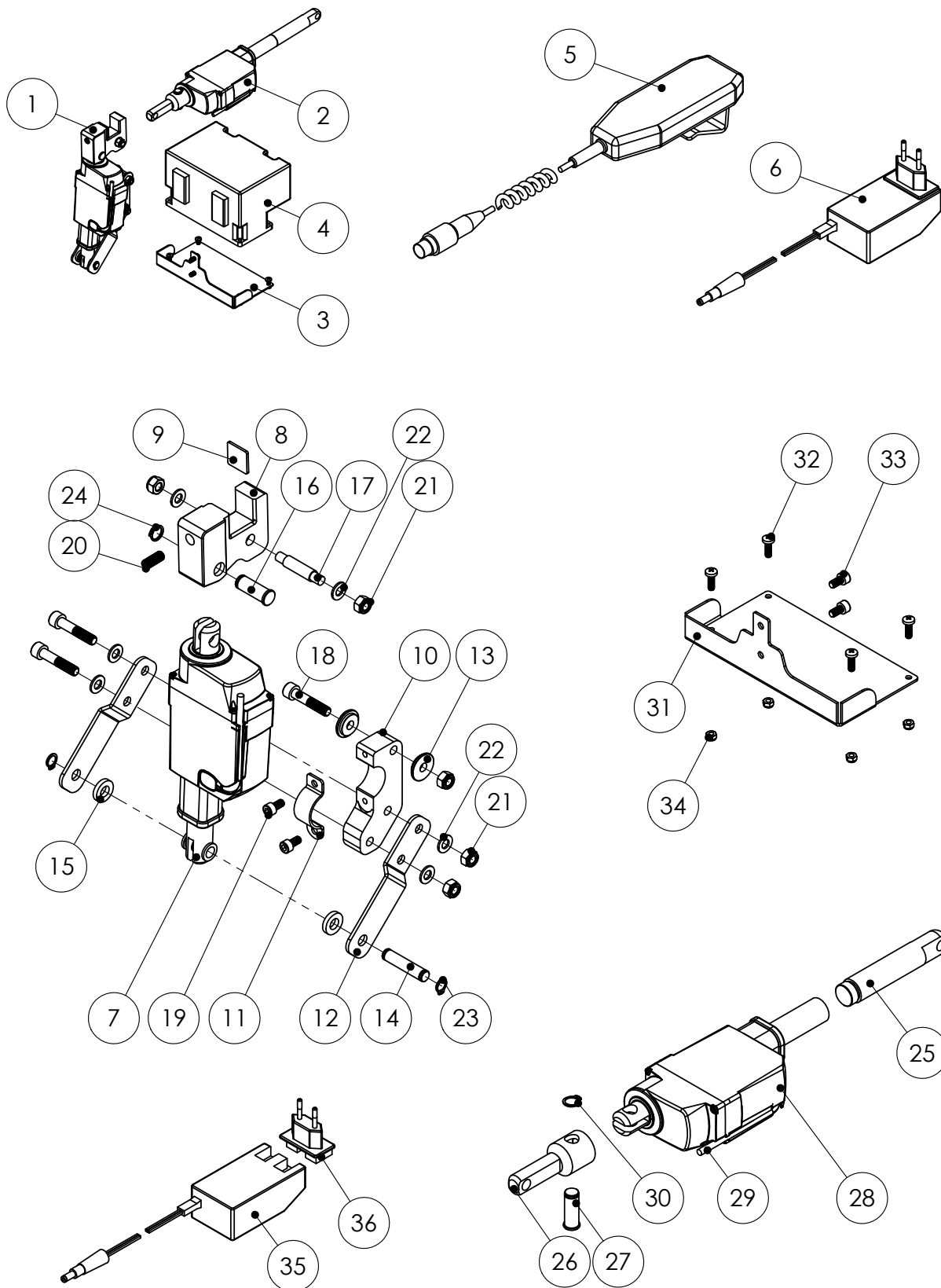
F10.1 - rev. A

rev. 2015-06-30

Pos.	Art.no.	Description	Incl.
	<b>69801</b>	<b>ELECTRIC Tilt &amp; Back cpl Kit</b>	1-6
1	<b>69821</b>	<b>ACTUATOR Tilt cpl with Bracket</b>	7-24
2	<b>69825</b>	<b>ACTUATOR Back cpl with Bracket</b>	25-30
3	<b>69829-1</b>	<b>HOLDER Control Box cpl with screw</b>	31-34
4	<b>69835</b>	<b>CONTROL BOX 2-channeled</b>	
5	<b>69837</b>	<b>CONTROL UNIT Linak HD</b>	
6	<b>69840</b>	<b>CHARGER with EU-plug Linak</b>	35-36
7		ACTUATOR Tilt with cable	
8		ADAPTER Bracket	
9		WASHER Actuator	
10		CLAMP Bracket Actuator	
11		CLAMP Actuator	
12		BRACKET Actuator std	
13		WASHER Actuator	
14		PIN Bracket Actuator	
15		WASHER Actuator	
16		PIN	
17		PIN Adapter Actuators	
18	81247	SCREW MC6S M8x40 FZB	
19	81291	SCREW MC6S M6x12	
20	81332	SCREW SK6SS M8x20	
21	81523	LOCKING NUT M8 FZB	
22	81603	WASHER BRB8,4x16x1,5	
23	81731	CIRCLIP SGA 10	
24	81735	CIRCLIP SGA 12	
25		ACTUATOR Extension	
26		ACTUATOR End Attachment	
27		PIN	
28		ACTUATOR BACK Linak	
29		MOTOR CABLE	
30	81735	CIRCLIP SGA 12	
31		PLATE HOLDER Control Box	
32	81103	SCREW MRX 5x16	
33	81291	SCREW MC6S M6x12	
34	81521	LOCKING NUT M5	
35		CHARGER Linak	
36		PLUG EU Charger	

Elektrisk tilt-rygg

Denna ritning får ej kopieras eller överlämnas utan tillstånd av HD Rehab AB



**Spare parts****HD Balance****F11.1**Refers to exploded view: **Shoulder Support**

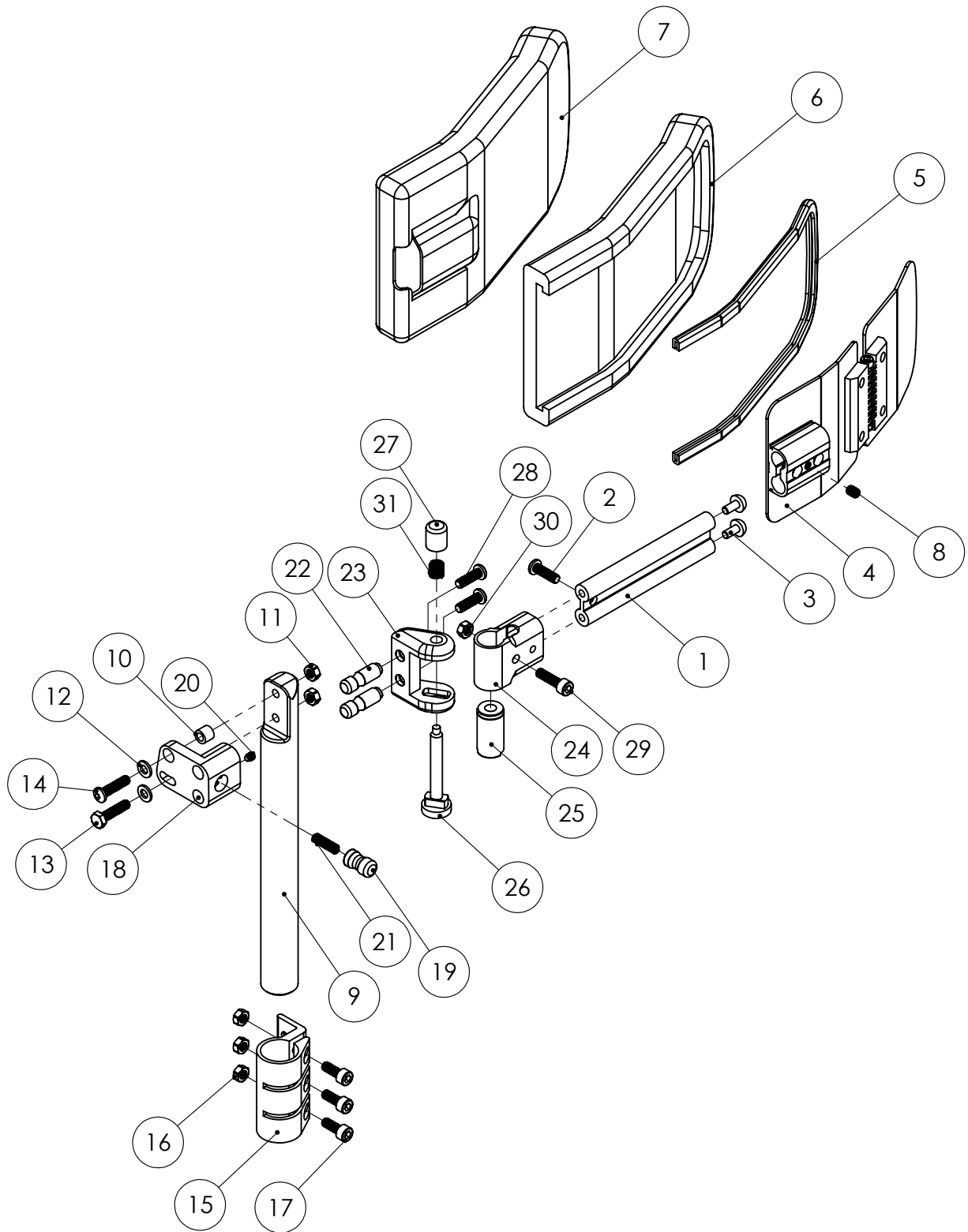
F11.1 - rev. A

rev. 2018-02-06

Pos.	Art.no.	Description	Incl.
	<b>69201-3</b>	<b>SHOULDER SUPPORT Left with mount</b>	1-21
	<b>69202-3</b>	<b>SHOULDER SUPPORT Right with mount</b>	1-21
	69221-3	SHOULDER SUPPORT Swing Left	1-8
	69222-3	SHOULDER SUPPORT Swing Right	1-8
	69210-1	SHOULDER SUPPORT MOUNT Left	9-14
	69210-2	SHOULDER SUPPORT MOUNT Right	9-14
	69219-1	FRAME BRACKET Shoulder Support	15-17
		JOINT Shoulder support Swing cpl Left	22-31
		JOINT Shoulder support Swing cpl Right	22-31
1		SET PROFILE Shoulder Support	
2		SCREW K6S M6x20 sv	
3	82135	COVER PLUG 12.5x5.25	
4	13158-5	PLATE Adjustable short	
5		EDGE STRIP F125	
6		PAD	
7	49957	COVER Black Trevira	
8	81315	SCREW P6SS M6x8	
9		POST Shoulder support Swing	
		HOLDER Shoulder Support cpl Left	18-21
		HOLDER Shoulder Support cpl Right	18-21
10		JOINT BUSHING Shoulder Support mount	
11	81522	LOCKING NUT M6	
12	81602	WASHER BRB6.4x12x1.5	
13	81220	SCREW M6S M6x25 FZB	
14	81249	SCREW K6S M6x25 10.9	
15		FRAME BRACKET Shoulder support	
16	81522	LOCKING NUT M6	
17	81231	SCREW MC6S M6x16	
18		HOLDER Shoulder support Left	
18		HOLDER Shoulder support right	
19		RELEASE BUTTON Holder Shoulder support	
20		SCREW T6SS M5x6	
21		SPRING	
22		CONNECTION PIN	
23		JOINT FORK Profile Shoulder support Left	
23		JOINT FORK Profile Shoulder support Right	
24		JOINT Internal	
25		BUSHING Swing	
26		PIN Swing Joint	
27		PUSH BUTTON Swing	
28	81355	SCREW K6S M6x20 SV.	
29	81396	SCREW MC6S M6x22 fzb	
30	81522	LOCKING NUT M6	
31		SPRING 2450	

Axelstöd

Denna ritning får ej kopieras eller överlätas utan tillstånd av HD Rehab AB



**Spare parts****HD Balance****F12.1**Refers to exploded view: **Oxygen Tank Holder HD**

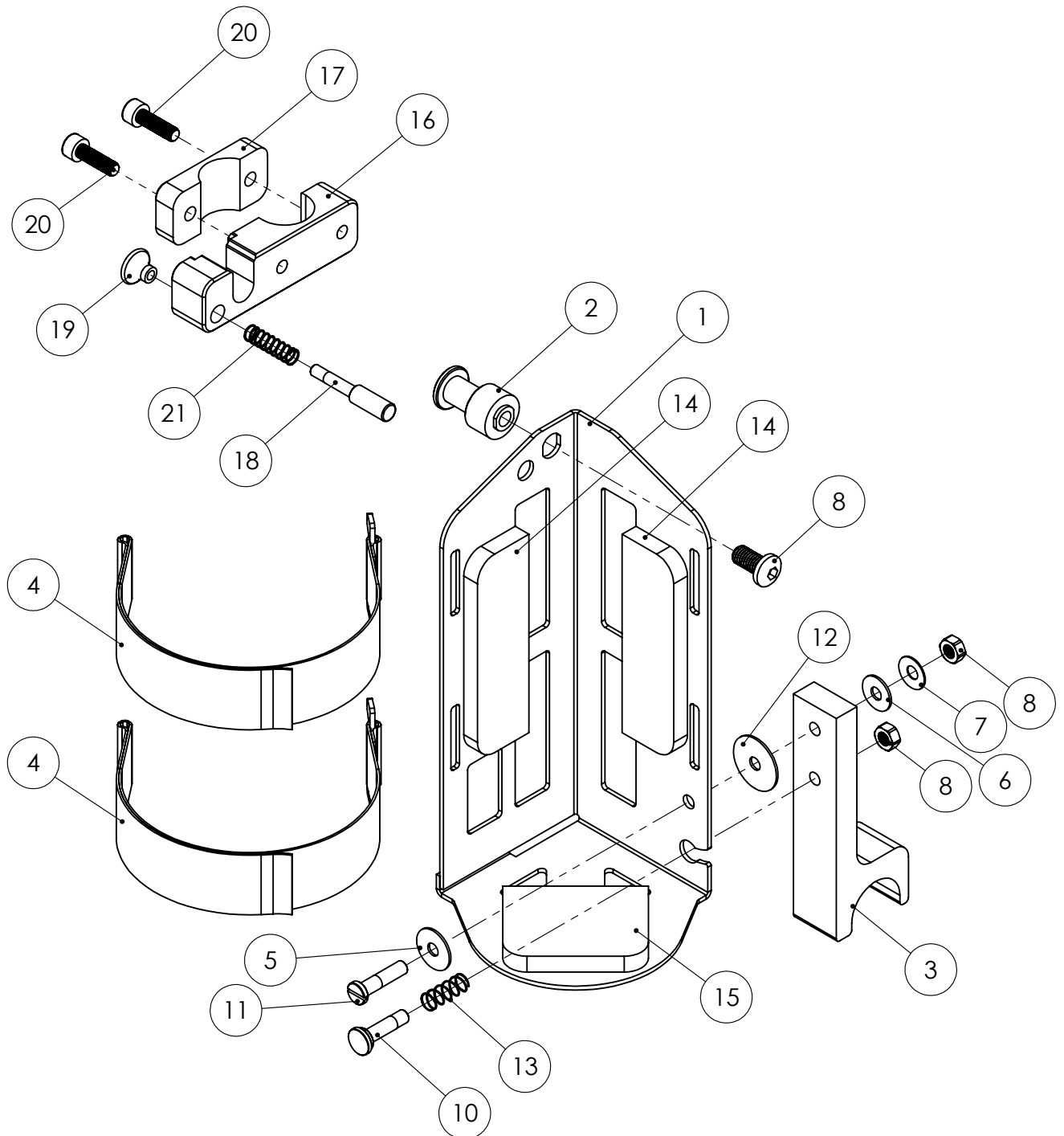
F12.1 - rev. A

rev. 2018-06-21

Pos.	Art.no.	Description	Incl.
	<b>56904</b>	<b>OXYGEN TANK HOLDER 1 L cpl with mount</b>	1-15 & 16-21
	<b>56905</b>	<b>OXYGEN TANK HOLDER 2 L cpl with mount</b>	1-14 & 16-21
	56916-1	TANK HOLDER for 1 L oxygen tank Left	1-15
	56906-1	TANK HOLDER for 2 L oxygen tank Left	1-14
	56908-1	MOUNT cpl for Oxygen Holder Left	16-21
1		SHELF BRACKET 1 L	
1		SHELF BRACKET 2 L	
2		FIXED PIN	
3		SUPPORT BRACE	
4	56909-1	STRAP	
5	81620	WASHER NB 6x19x1 sv.	
6	81607	WASHER NB 6x16x1 FZB	
7	81623	WASHER 6x15	
8	81350	SCREW K6S M8x16 sv.	
9	81522	LOCKING NUT M6	
10		SHOULDER SCREW HD	
11		TENSION SCREW HD	
12		WASHER SS 6x25x1	
13		SPRING	
14		PAD Vertical half	
15		PAD Horizontal half	
16		CLAMP BRACE	
17		LOCKING BRACE	
18		LOCK PIN	
19		KNOB Låstapp	
20	81287	SCREWMC6S M6x20	
21		SPRING	

Syrgashållare HD

Denna ritning får ej kopieras eller överlätas utan tillstånd av HD Rehab AB



**Spare parts****HD Balance****G1.1**Refers to exploded view: **Seat Cushions**

G1.1 - rev. A

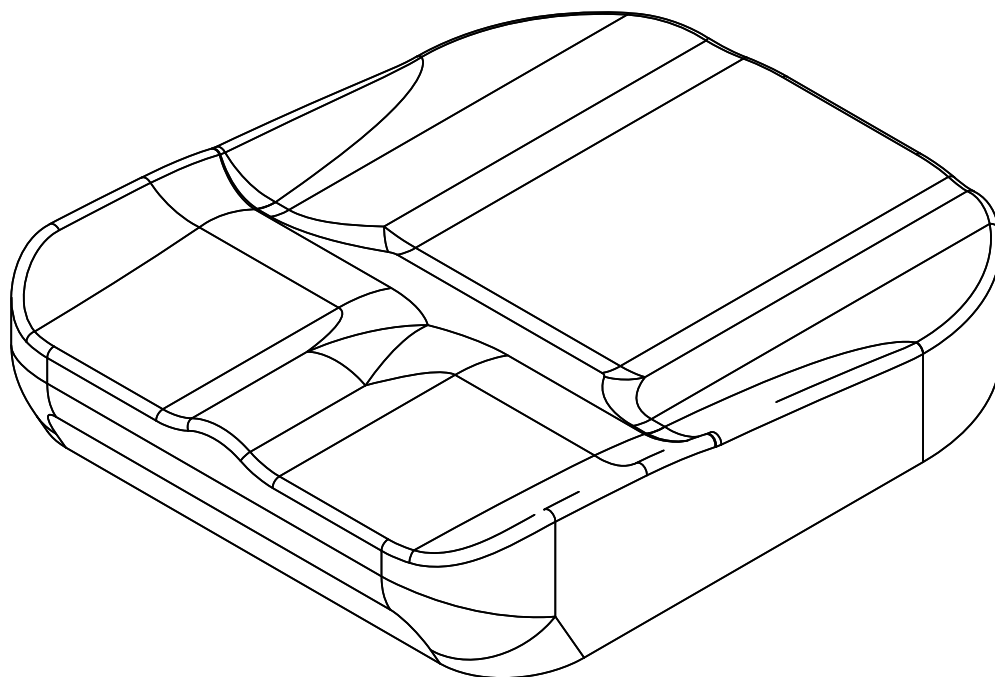
rev. 2015-08-30

Pos.	Art.no.	Description	Incl.
	<b>68201</b>	<b>SEAT CUSHION sw38 Grey Show</b>	
	<b>68301</b>	<b>SEAT CUSHION sw42 Grey Show</b>	
	<b>68401</b>	<b>SEAT CUSHION sw46 Grey Show</b>	
	<b>68501</b>	<b>SEAT CUSHION sw50 Grey Show</b>	
	49211	COVER Seat Cushion sw38 Grey Show	
	49311	COVER Seat Cushion sw42 Grey Show	
	49411	COVER Seat Cushion sw46 Grey Show	
	49511	COVER Seat Cushion sw50 Grey Show	
	<b>68202</b>	<b>SEAT CUSHION sw38 Dartex</b>	
	<b>68302</b>	<b>SEAT CUSHION sw42 Dartex</b>	
	<b>68402</b>	<b>SEAT CUSHION sw46 Dartex</b>	
	<b>68502</b>	<b>SEAT CUSHION sw50 Dartex</b>	
	49212	COVER Seat Cushion sw38 Dartex	
	49312	COVER Seat Cushion sw42 Dartex	
	49412	COVER Seat Cushion sw46 Dartex	
	49512	COVER Seat Cushion sw50 Dartex	
	<b>68203</b>	<b>SEAT CUSHION sw38 Black Trevira</b>	
	<b>68303</b>	<b>SEAT CUSHION sw42 Black Trevira</b>	
	<b>68403</b>	<b>SEAT CUSHION sw46 Black Trevira</b>	
	<b>68503</b>	<b>SEAT CUSHION sw50 Black Trevira</b>	
	49213	COVER Seat Cushion sw38 Black Trevira	
	49313	COVER Seat Cushion sw42 Black Trevira	
	49413	COVER Seat Cushion sw46 Black Trevira	
	49513	COVER Seat Cushion sw50 Black Trevira	
	<b>68205</b>	<b>SEAT CUSHION sw38 Extended +5cm Grey Show</b>	
	<b>68305</b>	<b>SEAT CUSHION sw42 Extended +5cm Grey Show</b>	
	<b>68405</b>	<b>SEAT CUSHION sw46 Extended +5cm Grey Show</b>	
	<b>68505</b>	<b>SEAT CUSHION sw50 Extended +5cm Grey Show</b>	
	49215	COVER Seat Cushion sw38 Extended +5cm Grey Show	
	49315	COVER Seat Cushion sw42 Extended +5cm Grey Show	
	49415	COVER Seat Cushion sw46 Extended +5cm Grey Show	
	49515	COVER Seat Cushion sw50 Extended +5cm Grey Show	
	<b>68206</b>	<b>SEAT CUSHION sw38 Extended +5cm Dartex</b>	
	<b>68306</b>	<b>SEAT CUSHION sw42 Extended +5cm Dartex</b>	
	<b>68406</b>	<b>SEAT CUSHION sw46 Extended +5cm Dartex</b>	
	<b>68506</b>	<b>SEAT CUSHION sw50 Extended +5cm Dartex</b>	
	49216	COVER Seat Cushion sw38 Extended +5cm Dartex	
	49316	COVER Seat Cushion sw42 Extended +5cm Dartex	
	49416	COVER Seat Cushion sw46 Extended +5cm Dartex	
	49516	COVER Seat Cushion sw50 Extended +5cm Dartex	
	<b>68207</b>	<b>SEAT CUSHION sw38 Extended +5cm Black Trevira</b>	
	<b>68307</b>	<b>SEAT CUSHION sw42 Extended +5cm Black Trevira</b>	
	<b>68407</b>	<b>SEAT CUSHION sw46 Extended +5cm Black Trevira</b>	
	<b>68507</b>	<b>SEAT CUSHION sw50 Extended +5cm Black Trevira</b>	
	49217	COVER Seat Cushion sw38 Extended +5cm Black Trevira	
	49317	COVER Seat Cushion sw42 Extended +5cm Black Trevira	
	49417	COVER Seat Cushion sw46 Extended +5cm Black Trevira	
	49517	COVER Seat Cushion sw50 Extended +5cm Black Trevira	



**Sittdynor**

Denna ritning får ej kopieras eller överlämnas utan tillstånd av HD Rehab AB



**Spare parts****HD Balance****G1.2**Refers to exploded view: **Seat Cushion Hygiene**

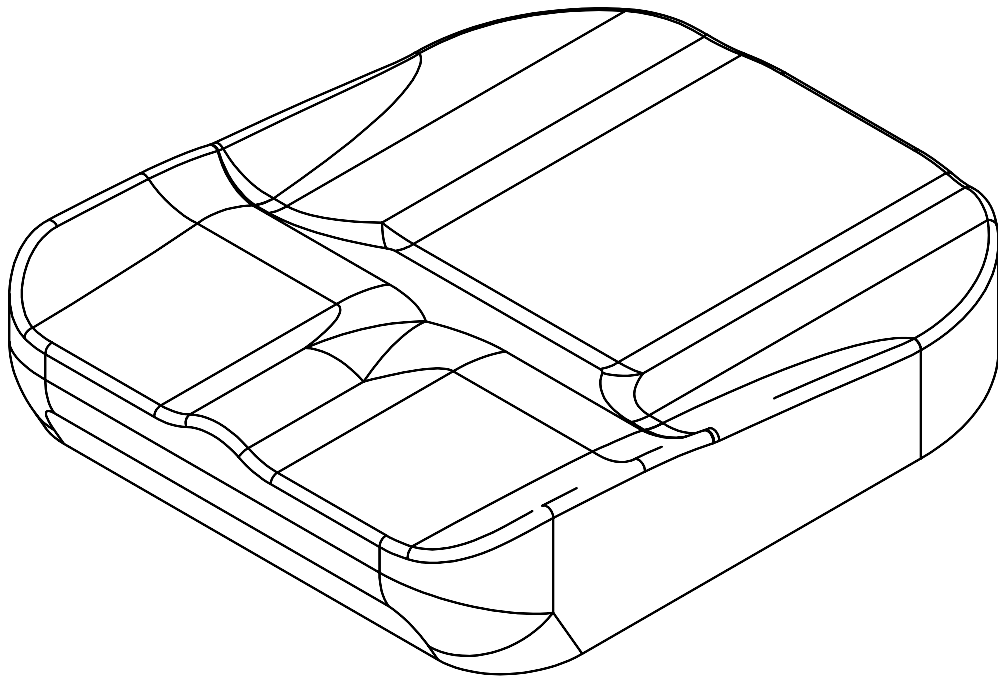
G1.1 - rev. A

rev. 2018-02-06

Pos.	Art.no.	Description	Incl.
	<b>68204</b>	<b>SEAT CUSHION sw38 Hygiene</b>	
	<b>68304</b>	<b>SEAT CUSHION sw42 Hygiene</b>	
	<b>68404</b>	<b>SEAT CUSHION sw46 Hygiene</b>	
	<b>68504</b>	<b>SEAT CUSHION sw50 Hygiene</b>	
	49214	COVER Seat Cushion sw38 Hygiene	
	49314	COVER Seat Cushion sw42 Hygiene	
	49314	COVER Seat Cushion sw46 Hygiene	
	49514	COVER Seat Cushion sw50 Hygiene	
	<b>68208</b>	<b>SEAT CUSHION sw38 Extended +5cm Hygiene</b>	
	<b>68308</b>	<b>SEAT CUSHION sw42 Extended +5cm Hygiene</b>	
	<b>68408</b>	<b>SEAT CUSHION sw46 Extended +5cm Hygiene</b>	
	<b>68508</b>	<b>SEAT CUSHION sw50 Extended +5cm Hygiene</b>	
	49218	COVER Seat Cushion sw38 Extended +5cm Hygiene	
	49318	COVER Seat Cushion sw42 Extended +5cm Hygiene	
	49418	COVER Seat Cushion sw46 Extended +5cm Hygiene	
	49518	COVER Seat Cushion sw50 Extended +5cm Hygiene	

## Sittdynor Hygien

Denna ritning får ej kopieras eller överlämnas utan tillstånd av HD Rehab AB



**Spare parts****HD Balance****G2.1**Refers to exploded view: **Back Cushions Standard**

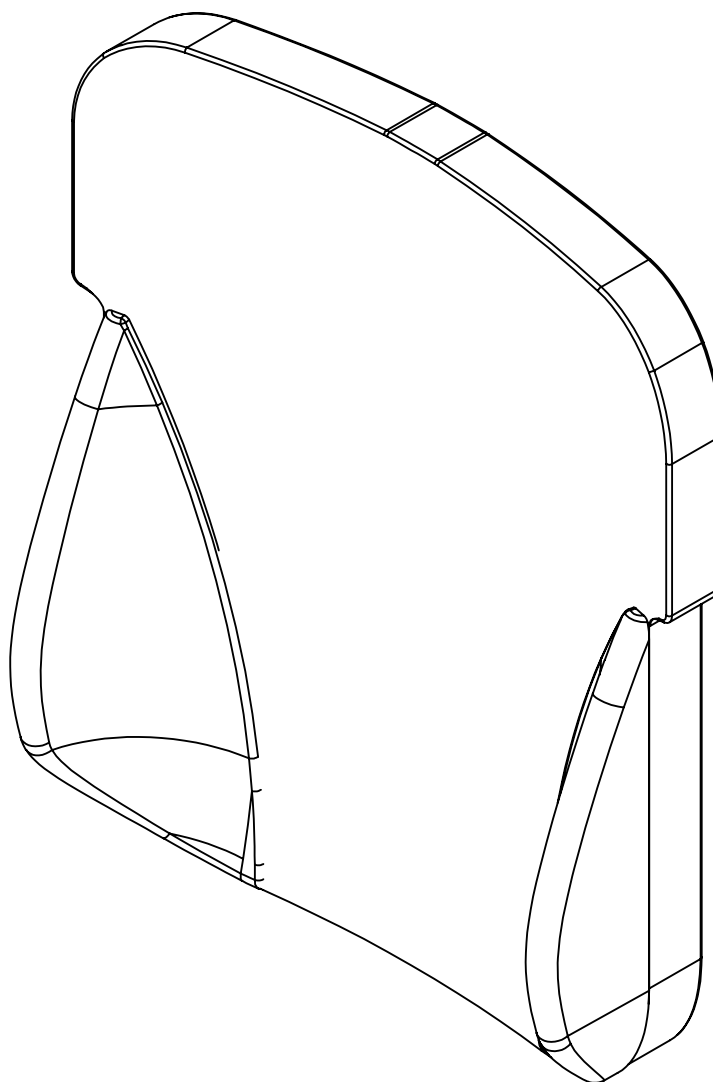
G2.1 - rev. C

rev. 2018-02-06

Pos.	Art.no.	Description	Incl.
	<b>68281</b>	<b>BACK CUSHION Standard sw38 Grey Show</b>	
	<b>68381</b>	<b>BACK CUSHION Standard sw42 Grey Show</b>	
	<b>68481</b>	<b>BACK CUSHION Standard sw46 Grey Show</b>	
	<b>68581</b>	<b>BACK CUSHION Standard sw50 Grey Show</b>	
	48221	COVER Back Cushion Standard sw38 Grey Trevira	
	48321	COVER Back Cushion Standard sw42 Grey Trevira	
	48421	COVER Back Cushion Standard sw46 Grey Trevira	
	48521	COVER Back Cushion Standard sw50 Grey Trevira	
	<b>68282</b>	<b>BACK CUSHION Standard sw38 Dartex</b>	
	<b>68382</b>	<b>BACK CUSHION Standard sw42 Dartex</b>	
	<b>68482</b>	<b>BACK CUSHION Standard sw46 Dartex</b>	
	<b>68582</b>	<b>BACK CUSHION Standard sw50 Dartex</b>	
	48222	COVER Back Cushion Standard sw38 Dartex	
	48322	COVER Back Cushion Standard sw42 Dartex	
	48422	COVER Back Cushion Standard sw46 Dartex	
	48522	COVER Back Cushion Standard sw50 Dartex	
	<b>68291</b>	<b>BACK CUSHION Standard sw38 Black Trevira</b>	
	<b>68391</b>	<b>BACK CUSHION Standard sw42 Black Trevira</b>	
	<b>68491</b>	<b>BACK CUSHION Standard sw46 Black Trevira</b>	
	<b>68591</b>	<b>BACK CUSHION Standard sw50 Black Trevira</b>	
	48231	COVER Back Cushion Standard sw38 Black Trevira	
	48331	COVER Back Cushion Standard sw42 Black Trevira	
	48431	COVER Back Cushion Standard sw46 Black Trevira	
	48531	COVER Back Cushion Standard sw50 Black Trevira	
	<b>68283</b>	<b>BACK CUSHION Extended +10cm sw38 Grey Show</b>	
	<b>68383</b>	<b>BACK CUSHION Extended +10cm sw42 Grey Show</b>	
	<b>68483</b>	<b>BACK CUSHION Extended +10cm sw46 Grey Show</b>	
	<b>68583</b>	<b>BACK CUSHION Extended +10cm sw50 Grey Show</b>	
	48223	COVER Back Cushion Extended +10cm sw38 Grey Show	
	48323	COVER Back Cushion Extended +10cm sw42 Grey Show	
	48423	COVER Back Cushion Extended +10cm sw46 Grey Show	
	48523	COVER Back Cushion Extended +10cm sw50 Grey Show	
	<b>68284</b>	<b>BACK CUSHION Extended +10cm sw38 Dartex</b>	
	<b>68384</b>	<b>BACK CUSHION Extended +10cm sw42 Dartex</b>	
	<b>68484</b>	<b>BACK CUSHION Extended +10cm sw46 Dartex</b>	
	<b>68584</b>	<b>BACK CUSHION Extended +10cm sw50 Dartex</b>	
	48224	COVER Back Cushion Extended +10cm sw38 Dartex	
	48324	COVER Back Cushion Extended +10cm sw42 Dartex	
	48424	COVER Back Cushion Extended +10cm sw46 Dartex	
	48524	COVER Back Cushion Extended +10cm sw50 Dartex	
	<b>68293</b>	<b>BACK CUSHION Extended +10cm sw38 Black Trevira</b>	
	<b>68393</b>	<b>BACK CUSHION Extended +10cm sw42 Black Trevira</b>	
	<b>68493</b>	<b>BACK CUSHION Extended +10cm sw46 Black Trevira</b>	
	<b>68593</b>	<b>BACK CUSHION Extended +10cm sw50 Black Trevira</b>	
	48233	COVER Back Cushion Extended +10cm sw38 Black Trevira	
	48333	COVER Back Cushion Extended +10cm sw42 Black Trevira	
	48433	COVER Back Cushion Extended +10cm sw46 Black Trevira	
	48533	COVER Back Cushion Extended +10cm sw50 Black Trevira	

## Ryggdyna standard

Denna ritning får ej kopieras eller överlätas utan tillstånd av HD Rehab AB



**Spare parts****HD Balance****G2.2**Refers to exploded view: **Back Cushions Flat**

G2.2 - rev. B

rev. 2018-02-06

Pos.	Art.no.	Description	Incl.
	<b>68285</b>	<b>BACK CUSHION Flat sw38 Grey Show</b>	
	<b>68385</b>	<b>BACK CUSHION Flat sw42 Grey Show</b>	
	<b>68485</b>	<b>BACK CUSHION Flat sw46 Grey Show</b>	
	<b>68585</b>	<b>BACK CUSHION Flat sw50 Grey Show</b>	
	48225	COVER Back Cushion Flat sw38 Grey Show	
	48325	COVER Back Cushion Flat sw42 Grey Show	
	48425	COVER Back Cushion Flat sw46 Grey Show	
	48525	COVER Back Cushion Flat sw50 Grey Show	
	<b>68286</b>	<b>BACK CUSHION Flat sw38 Dartex</b>	
	<b>68386</b>	<b>BACK CUSHION Flat sw42 Dartex</b>	
	<b>68486</b>	<b>BACK CUSHION Flat sw46 Dartex</b>	
	<b>68586</b>	<b>BACK CUSHION Flat sw50 Dartex</b>	
	48226	COVER Back Cushion Flat sw38 Dartex	
	48326	COVER Back Cushion Flat sw42 Dartex	
	48426	COVER Back Cushion Flat sw46 Dartex	
	48526	COVER Back Cushion Flat sw50 Dartex	
	<b>68295</b>	<b>BACK CUSHION Flat sw38 Black Trevira</b>	
	<b>68395</b>	<b>BACK CUSHION Flat sw42 Black Trevira</b>	
	<b>68495</b>	<b>BACK CUSHION Flat sw46 Black Trevira</b>	
	<b>68595</b>	<b>BACK CUSHION Flat sw50 Black Trevira</b>	
	48235	COVER Back Cushion Flat sw38 Black Trevira	
	48335	COVER Back Cushion Flat sw42 Black Trevira	
	48435	COVER Back Cushion Flat sw46 Black Trevira	
	48535	COVER Back Cushion Flat sw50 Black Trevira	
	<b>68287</b>	<b>BACK CUSHION Flat Extended +10cm sw38 Grey Show</b>	
	<b>68387</b>	<b>BACK CUSHION Flat Extended +10cm sw42 Grey Show</b>	
	<b>68487</b>	<b>BACK CUSHION Flat Extended +10cm sw46 Grey Show</b>	
	<b>68587</b>	<b>BACK CUSHION Flat Extended +10cm sw50 Grey Show</b>	
	48227	COVER Back Cushion Flat Extended +10cm sw38 Black Trevira	
	48327	COVER Back Cushion Flat Extended +10cm sw42 Black Trevira	
	48427	COVER Back Cushion Flat Extended +10cm sw46 Black Trevira	
	48527	COVER Back Cushion Flat Extended +10cm sw50 Black Trevira	
	<b>68288</b>	<b>BACK CUSHION Flat Extended +10cm sw38 Dartex</b>	
	<b>68388</b>	<b>BACK CUSHION Flat Extended +10cm sw42 Dartex</b>	
	<b>68488</b>	<b>BACK CUSHION Flat Extended +10cm sw46 Dartex</b>	
	<b>68588</b>	<b>BACK CUSHION Flat Extended +10cm sw50 Dartex</b>	
	48228	COVER Back Cushion Flat Extended +10cm sw38 Dartex	
	48328	COVER Back Cushion Flat Extended +10cm sw42 Dartex	
	48428	COVER Back Cushion Flat Extended +10cm sw46 Dartex	
	48528	COVER Back Cushion Flat Extended +10cm sw50 Dartex	
	<b>68297</b>	<b>BACK CUSHION Flat Extended +10cm sw38 Black Trevira</b>	
	<b>68397</b>	<b>BACK CUSHION Flat Extended +10cm sw42 Black Trevira</b>	
	<b>68497</b>	<b>BACK CUSHION Flat Extended +10cm sw46 Black Trevira</b>	
	<b>68597</b>	<b>BACK CUSHION Flat Extended +10cm sw50 Black Trevira</b>	
	48237	COVER Back Cushion Flat Extended +10cm sw38 Black Trevira	
	48337	COVER Back Cushion Flat Extended +10cm sw42 Black Trevira	
	48437	COVER Back Cushion Flat Extended +10cm sw46 Black Trevira	
	48537	COVER Back Cushion Flat Extended +10cm sw50 Black Trevira	

## Ryggdyna Plan

Denna ritning får ej kopieras eller överlätas utan tillstånd av HD Rehab AB

