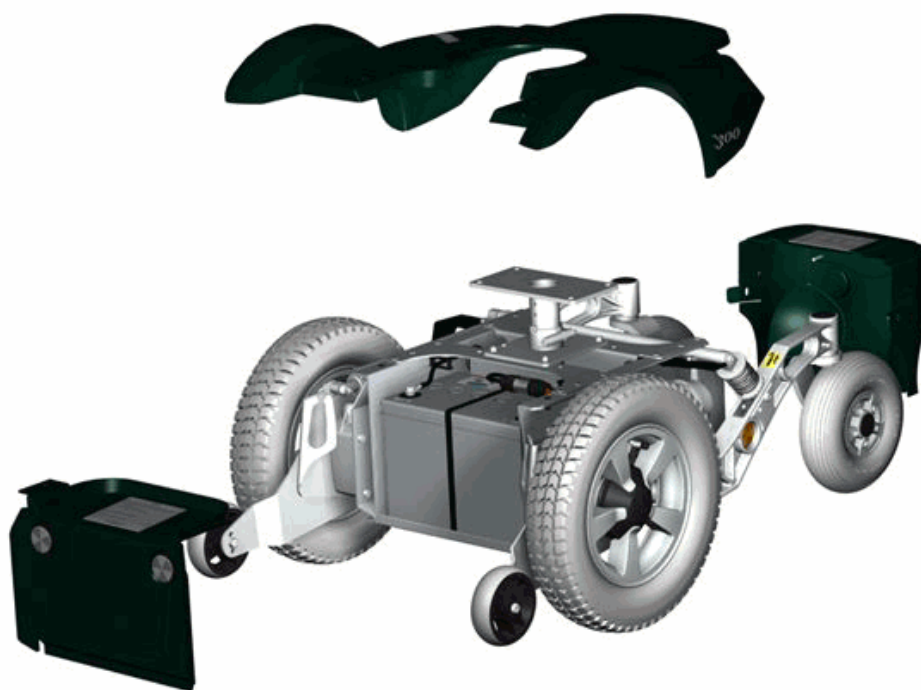


SPARE PART CATALOG

RESERVDELSKATALOG

# C300IK300

Power Wheelchair  
Elektrisk rullstol

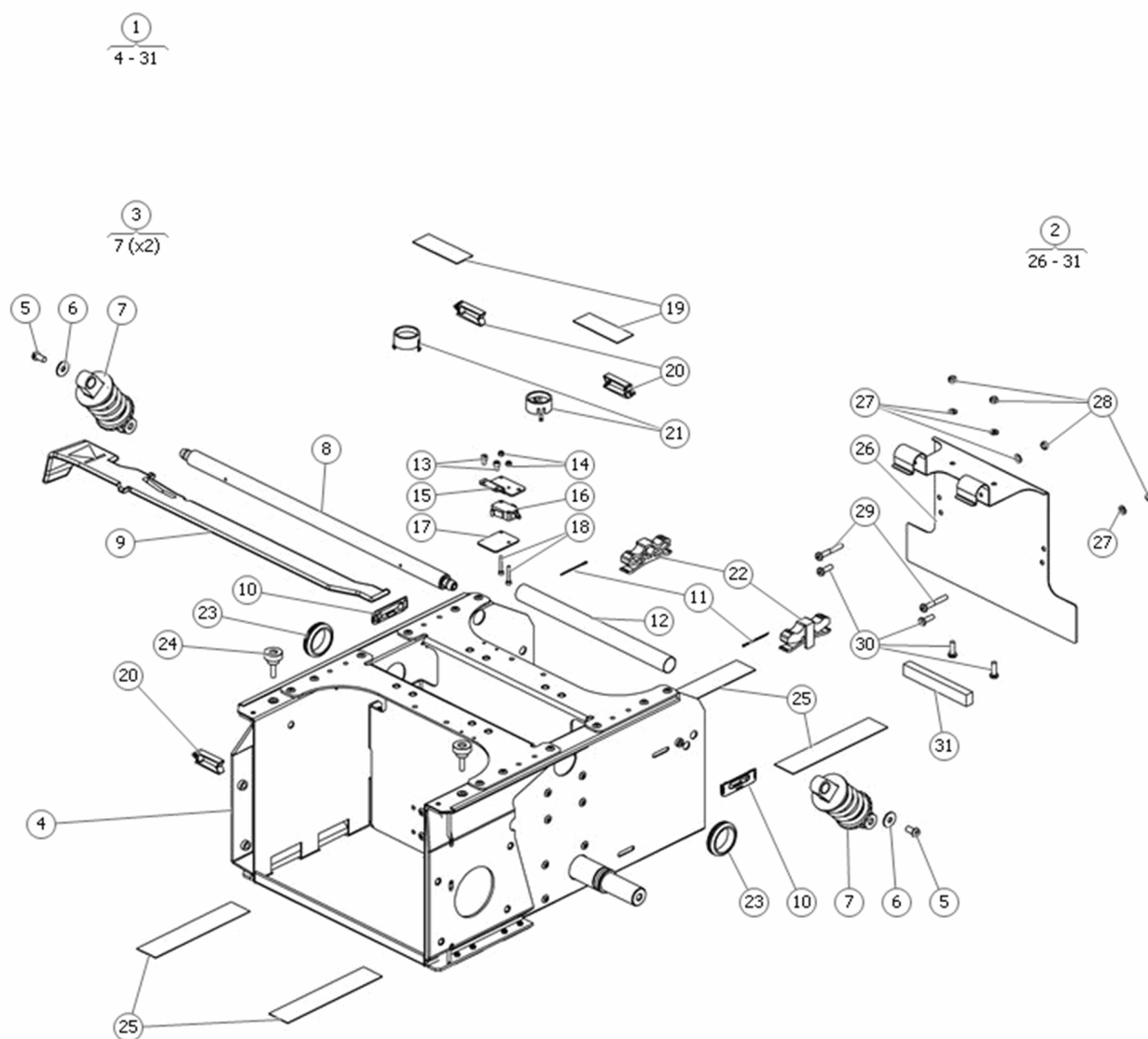




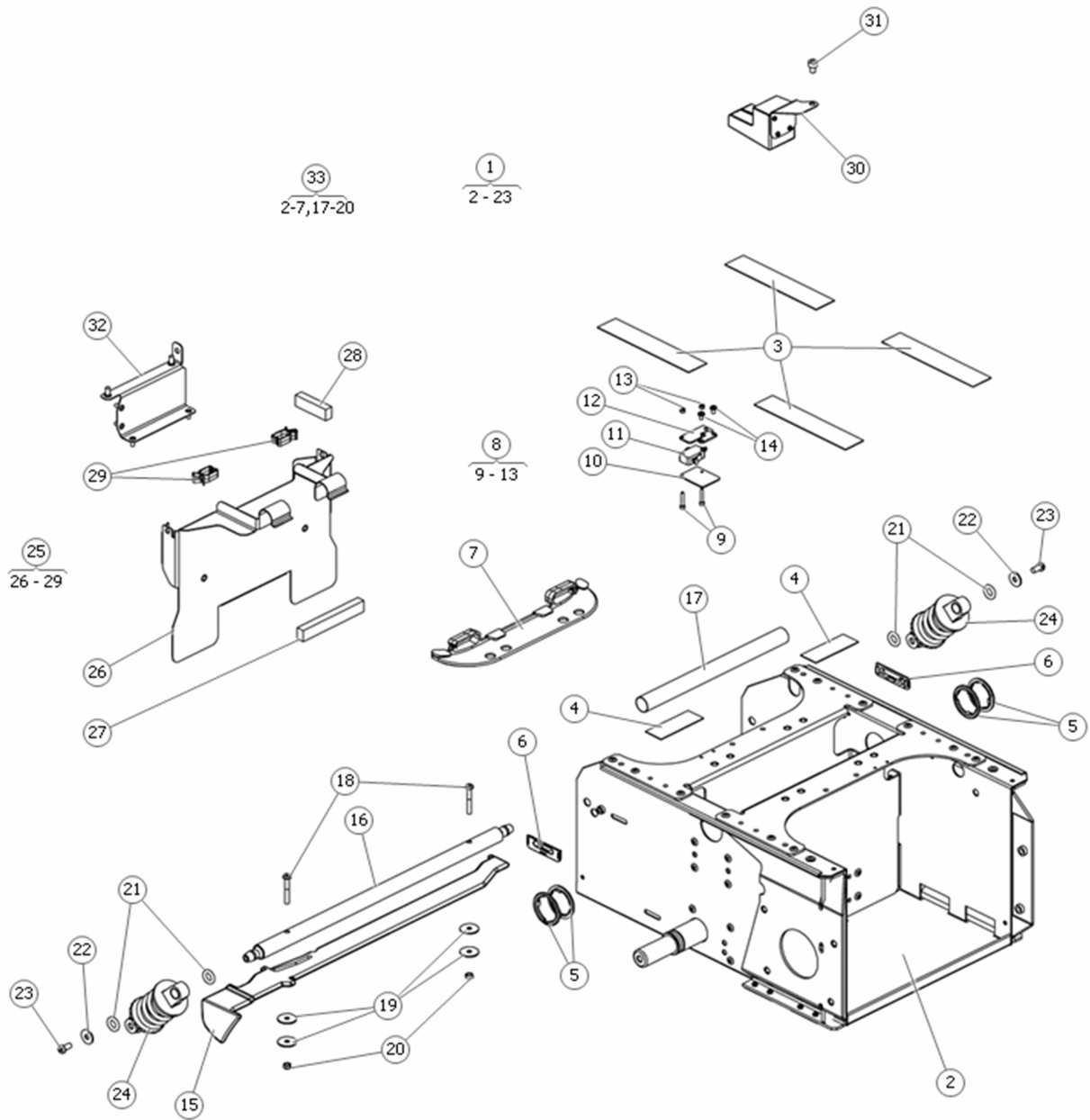
**Contents**

Chassis XX-3X-XXXXXX.....	
Chassis XX-6X-XXXXXX.....	
Rear Wheel Suspension.....	
Driving Unit and Front Wheel Suspension.....	
Wheels Three Spoke.....	
VSI Electronics.....	
Pilot+ Cable Harness and Electronics.....	
Electronics VR2.....	
Electronics R-net.....	
Seat Tube Fixed Position.....	
Seat Elevator.....	
Seat Adapters.....	
Seat Tilt.....	
Seat Support.....	
Covers.....	
Covers FL.....	
Lights, Led.....	
Contact Permobil.....	
Ordering Information.....	

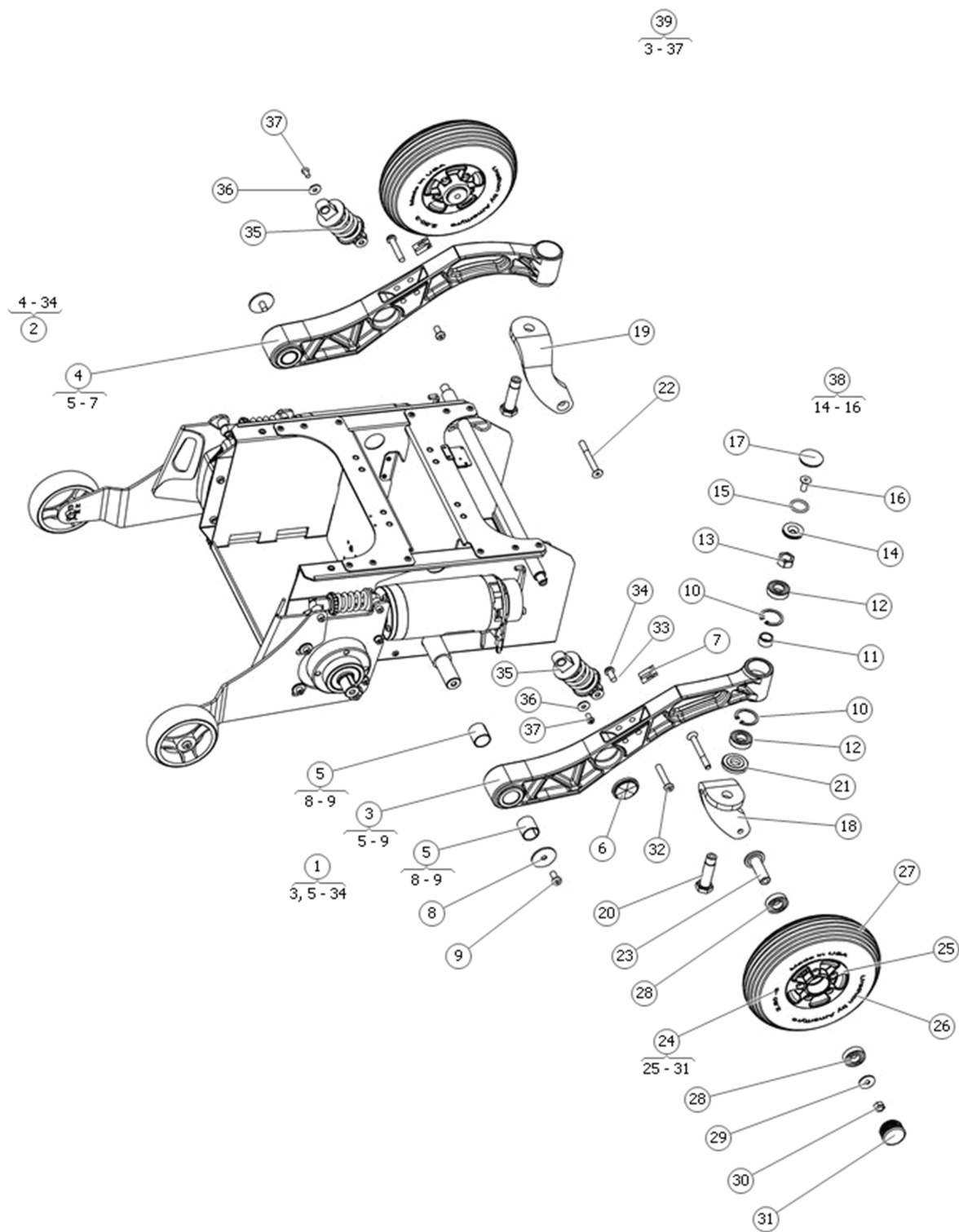
Produced and published by Permobil AB, Sweden  
Release date, 2012-09  
Order no: 201245-SV-0



Pos	Qty	Stock Code	Description	Remark
1	1	313559	Box assembly	
2	1	1824054	Bracket	
3	1	1824409	Shock absorbers, pair	Pair
4	1	313557	Box	
5	1	601422-99-0	BOLT K6S 6x12 fzb *	
6	1	612675-99-0	WASHER, ISO 7093-1 6,4x18x1,6 fzb	
7	1	1820451	Shock absorber	
8	1	313624	Shaft	
9	1	1823241	Bake release	
9	1	1827969	Brake Release New Shroud	
10	1	1821861	Bush	
11	1	612827-99-0	COTTER PIN 3,2x32 DIN94 ISO 1234	
12	1	612796	PVC tube	
13	1	601366-99-0	Screw, M4x6 Fe/Zn ISO 4762	
14	1	600578-99-0	LOCK NUT M3 FZB	
15	1	313580	Plate	
16	1	1822469	Micro switch and cable	Switch and cable
17	1	313581	Plate	
18	1	612798	Screw, M3x20 Fe/Zn ISO 4762	
19	1	318276	Velcro tape, L = 70 mm	
20	1	612759	Wire saddle	
21	1	317953	Squeeze guard	
22	1	1824230	Battery holder	
23	1	1827723	Grommet	
24	1	1821249	Lock handle	
25	1	317564	Velcro tape, L = 150 mm	
26	1	315791	Bracket	
27	1	600237-99-0	WASH BRB 5.3x10x 1 fzb *	
28	1	600226-99-0	LOCK NUT M5 FZB *	
29	1	612979	Screw, M5x35 Fe/Zn ISO 7380	
30	1	601170-99-0	BOLT K6S 5x16 fzb *	
31	1	602795	Sealing strip	

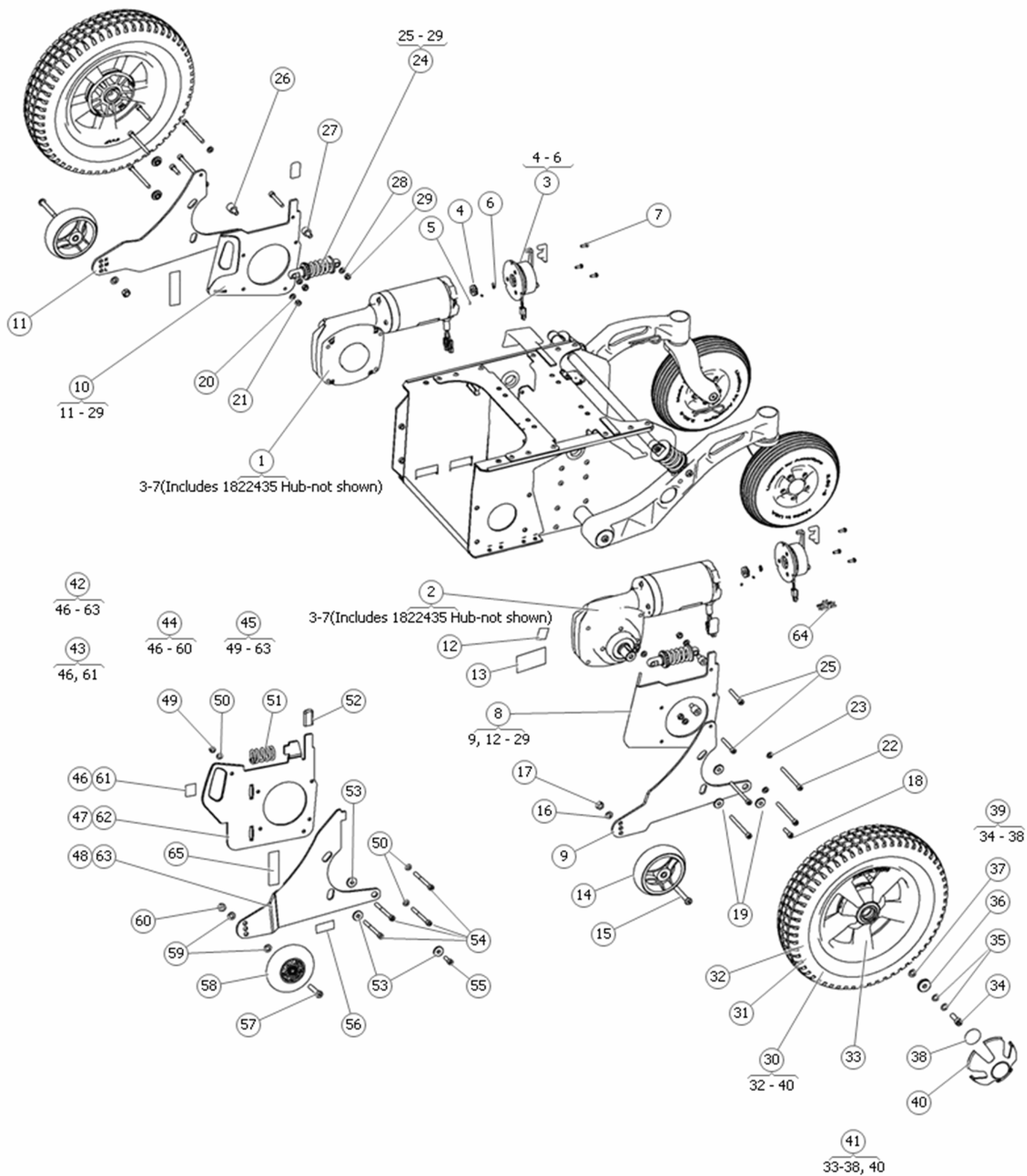


Pos	Qty	Stock Code	Description	Remark
1	1	320914	Chassis kit	
2	1	313557	Chassis box	
3	1	317564	Velcro tape W=30 L=150 Loop black	
4	1	318276	Velcro tape W=25,4 L=70 Reclosable fastener	
5	1	1827723	Grommet	
6	1	1821861	Buching brake release	
7	1	1827150	Cable clip	
8	1	320477	Switch kit	
9	1	612793	Screw ISO 4762 M3x18 Fe/Zn	
10	1	313581	Plate	
11	1	1822469	Switch	
12	1	313580	Bracket plate	
13	1	600578-99-0	Nut DIN 985 M3 Fe/Zn	
14	1	601366-99-0	Screw ISO 7380 M4x6 Fe/Zn	
15	1	1827969	Bake release control	
16	1	320953	Shaft	
17	1	320556	Protect PVC tube	
18	1	612979	Screw ISO 7380 M5x35 Fe/Zn	
19	1	601935-99-0	Washer 5,5x22x1,5 Fe/Zn	
20	1	600226-99-0	Nut DIN 985 M5 Fe/ZN	
21	1	1828155	Rubber ring Ø10x4 NBR 70	
22	1	612675-99-0	Washer ISO 7093-1 6,4x18x1,6 Fe/Zn	
23	1	601422-99-0	Screw ISO 7380 M6x12 Fe/Zn	
24	2	1820451		
24	1	1828765	Shock absorber 100mm 550LBS/IN Black	Black spring
25	1	1827972	Holder electronics	
26	1	320767	Holder	
27	1	320965	Sealing strip 10x15 EPDM L=100	
28	1	320966	Sealing strip 10x15 EPDM L=50	
29	1	602510-00-0	Cable clip	
30	1	1827974	ESP-module incl. bracket	
31	1	601359-99-0	Screw ISO 4762 M6x8 Fe/Zn	
32	1	1827973	HOLDER ELECTRONIC R-NET	
33	1	1830052	REINFORCED CHASSIS C300	

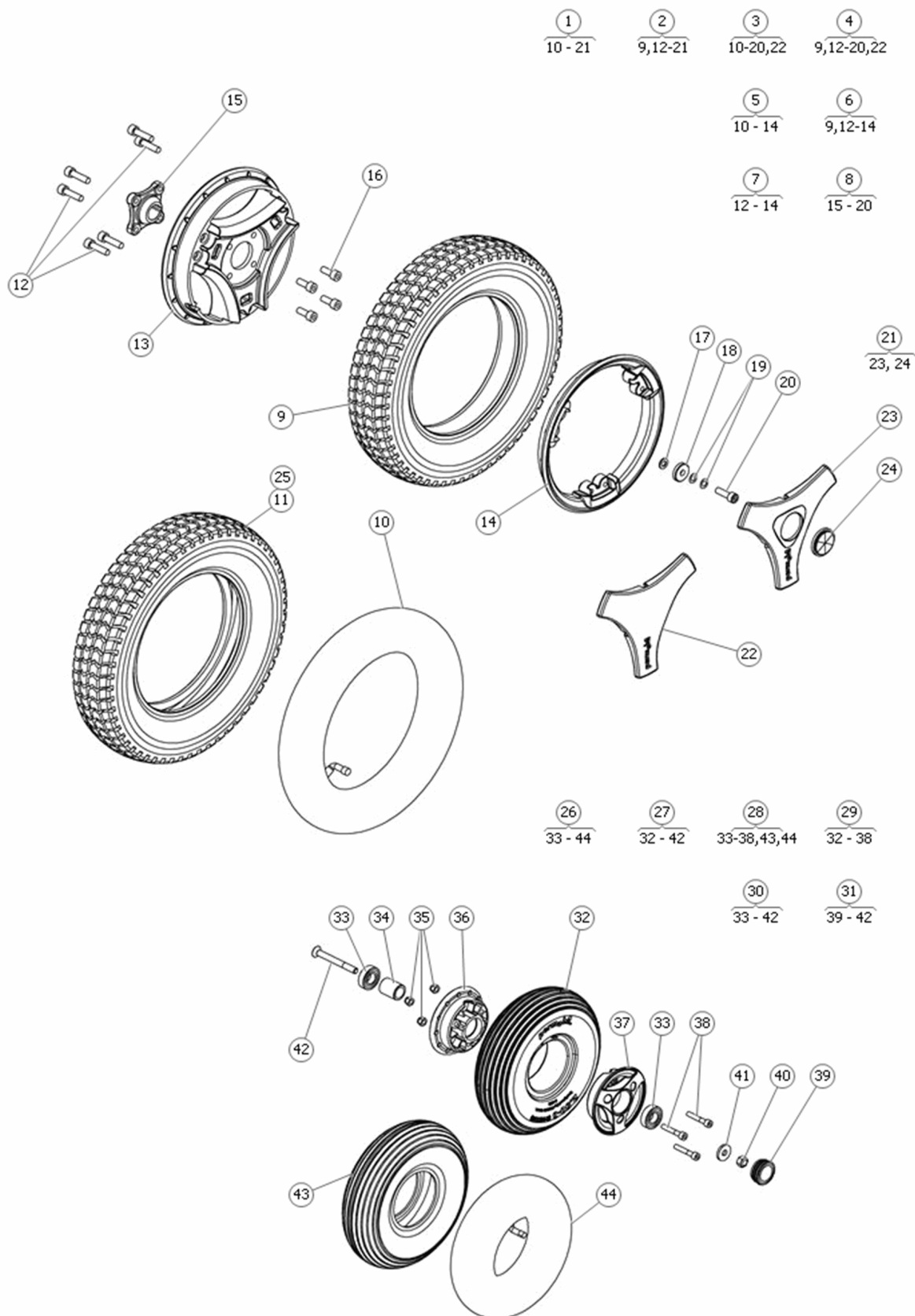




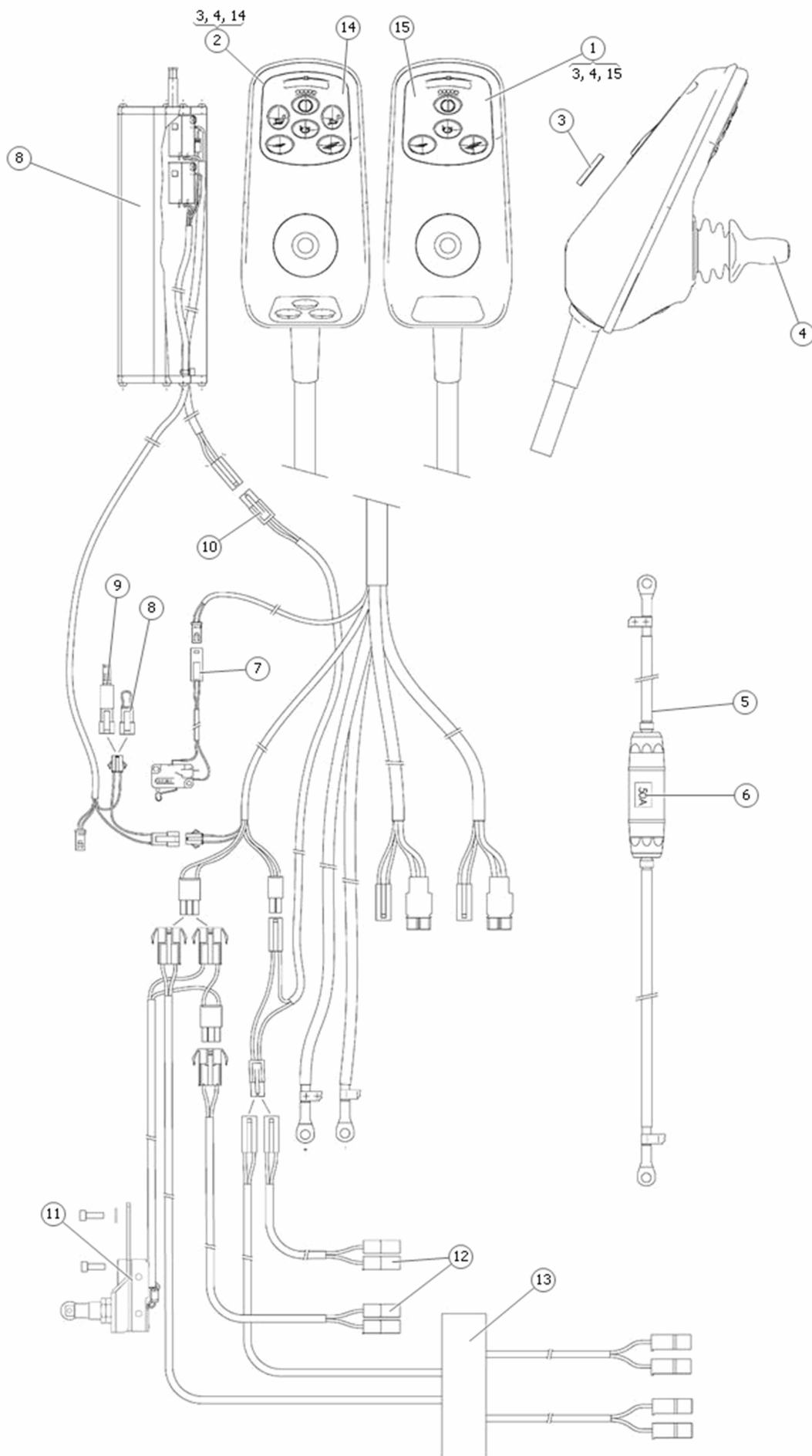
Pos	Qty	Stock Code	Description	Remark
1	1	313567	Wheel Unit Rear Left	
2	1	313566	Wheel Unit Rear Right	
3	1	1820449	Slewing Bracket Left	
4	1	1820450	Slewing Bracket Right	
5	1	1820452	Bearing 22/25x20 PCM	pos. 8 and 9 is included
6	1	1820324	Reflector Ø40 Yellow	
7	1	1820459	Decal Set Hook Bracket	
8	1	313582	Washer 37x8,1x2,5	POSITION #8 CAN BE FOUND INCLUDED IN POSI..
9	1	612797	Screw ISO 7380 M8x16 fzb, locking coat DIN 267-28	POSITION #9 CAN BE FOUND INCLUDED IN POSI..
10	1	600751-99-0	CIRCLIP SGH 32 *	
11	1	1820453	Spacer	
12	1	600752-99-0	BALL BEAR 6002-2RS1 *	
13	1	1822626	Nut DIN 934 M14x1,5 fzb	Set of 30 pcs
14	1	1820403	Plate Frictionbrake	
15	1	613957-99-0	O-Ring Ø25x3 EPDM	
16	1	1820410	BOLT ISO 104642 M8x20 ESL *	
17	1	311314-99-0	PL PLUG REAR WHEEL CH2K	
18	1	1820455	Wheel Fork Left	
18	1	1822413	Wheel Fork left (with pattern)	
19	1	1822414	Wheel Fork Right	With pattern
20	1	1820457	Wheel Fork Screw	
21	1	1820454	Spac Wash Wheel Fork	
22	1	1821264	Screw ISO 10642 M8x70 fzb	
23	1	1820458	Socket	
24	1	1822415	wheel 210x65 solid tri spoke	
24	1	1824218	WHEEL 210x65 AIR REAR CH2 CH2K	
25	1	1822416	Rim 210x65 3-spoke	
26	1	602568-99-0	TUBE 210x65 REAR CH2k *	
27	1	602569-08-0	TIRE 210x65 REAR AIR FILLED CH2k	
27	1	612397-08-0	TIRE 210x65 REAR SOLID CH2K CH2S STR	
28	1	600752-99-0	BALL BEAR 6002-2RS1 *	
29	1	305390-99-0	WASH 8.5x23x3 fzb *	
30	1	600228-99-0	LOCK NUT M8 FZB *	
31	1	1823146	PLASTIC PLUG	USED FOR TRI-SPOKE CASTER
31	1	602798-00-0	PLASTIC PLUG IKP 3531-33S *	USED FOR PRE TRI-SPOKE CASTER (308950-99-0)
32	1	601884-99-0	BOLT K6S 8x45 fzb	
33	1	600239-99-0	WASH ISO 7089 8.4x16x1.6 Fe/Zn	
34	1	600228-99-0	LOCK NUT M8 FZB *	
35	1	1820451	SHOCK ABSORBER, REAR-C300 FRONT/REAR-C350	
36	1	612675-99-0	WASHER, ISO 7093-1 6,4x18x1,6 fzb	
37	1	601422-99-0	BOLT K6S 6x12 fzb *	
38	1	1822628	Friction brake kit	
39	1	1824352	Premounted assembly	Includes chassis, motors, hubs[not pictured], antitips..



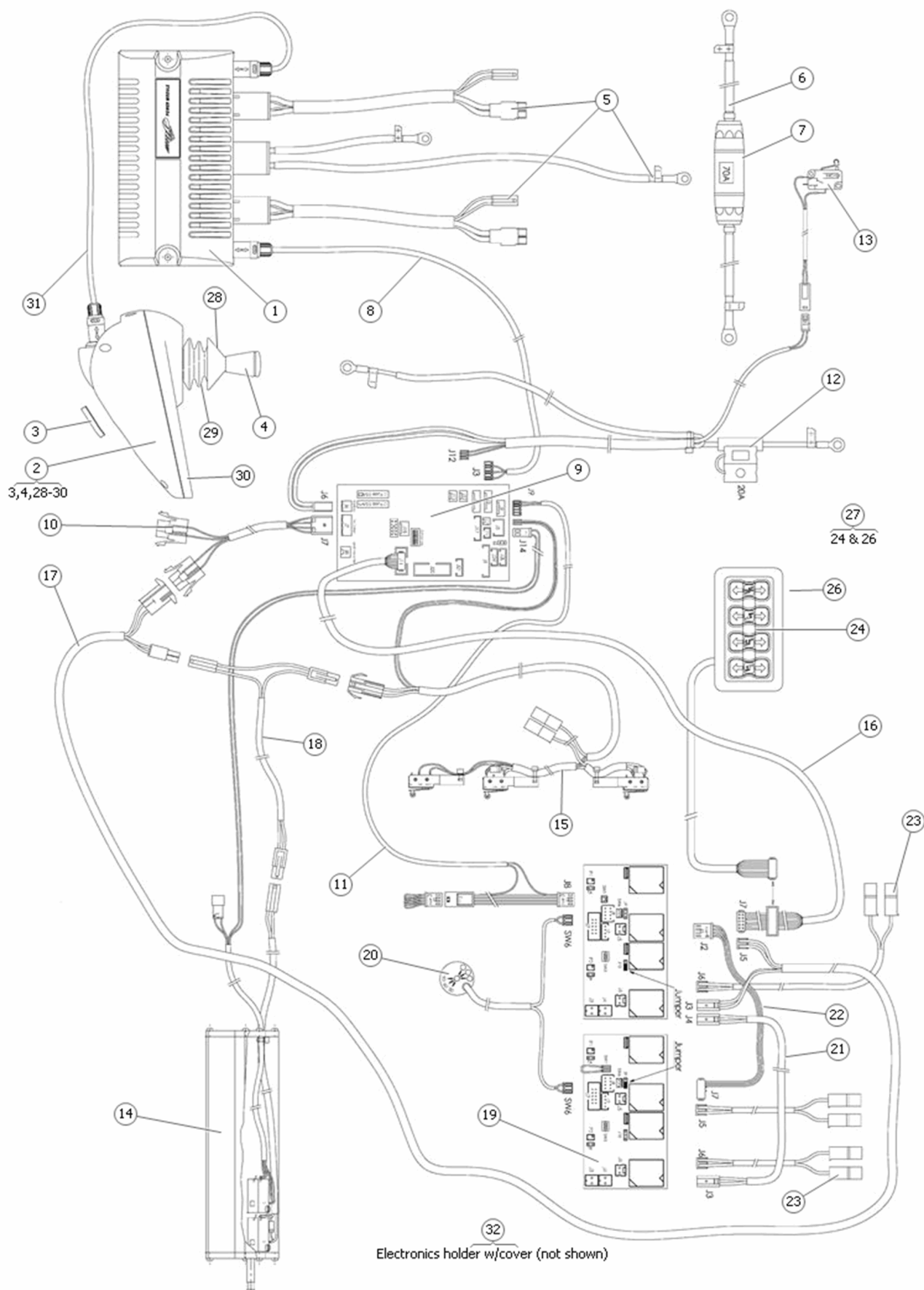
Pos	Qty	Stock Code	Description	Remark
1	1	1820466	Drivmotor/gear Right	
1	1	1826773	Drivmotor Right- HIGH SPEED	Please call Technical Support for assistance with ord..
1	1	1827910	Drivmotor Right C300S	
2	1	1820460	Drivmotor/gear Left	
2	1	1826774	Drivmotor Left- HIGH SPEED	Please call Technical Support for assistance with ord..
2	1	1827911	Drivmotor Left C300S	
3	2	1820461	Brake	
3	1	1827912	Brake C300S	Right
3	1	1827913	Brake C300S	Left
4	1	000000	Coupling Brake	NOT AVAILABLE
5	2	000000	Screw Brake	NOT AVAILABLE
6	1	600503-99-0	CIRCLIP SGA 8 *	
7	3	1823551	Screw ISO 14583 M4x12 fzb	
8	1	313564	Support Wheels Kit, Left	
8	1	313564	NEW VERSION AVAILABLE, SEE ITEM #45 TO ORDER	
9	1	313568	Plate Support Wheel Left	
10	1	313563	Support Wheels Kit, Right	
10	1	313563	NEW VERSION AVAILABLE, SEE ITEM #44 TO ORDER	
11	1	313569	Plate Support Wheel Right	
12	1	312871-99-1	Decal	
12	1	312872-99-2	Decal	
13	1	313859	Sticker Support Wheel Right	
13	1	313910	Sticker Support Wheel Left	
14	1	602556-99-0	WHEEL R100/32-2 V SUPP WHEELKIT	
15	1	602631-99-0	BOLT K6S 8*50 fzb ISO7380 *	
16	1	601427-99-0	WASH BRB 8.4x15x1.6 fzb DIN 433	
17	1	600228-99-0	LOCK NUT M8 FZB *	
18	1	600194-99-0	BOLT MC6S 6x20 fzb	
19	6	313571	Spacer Support Wheel	
20	2	600238-99-0	WASH BRB ISO 7089 6.4x12x1.6 fzb STD	
21	2	600227-99-0	LOCK NUT M6 FZB *	
22	8	600768-99-0	BOLT MC6S 6x70 fzb	
23	4	600238-99-0	WASH BRB ISO 7089 6.4x12x1.6 fzb STD	
24	2	1820469	Shock Absorber 93mm incl. Screw	
25	4	601756-99-0	BOLT MC6S 6x40 fzb *	
26	2	313573	Spacer Shock Absorber Support Wheel	
27	2	313572	Spacer Shock Absorber Support Wheel	
28	4	600238-99-0	WASH BRB ISO 7089 6.4x12x1.6 fzb STD	
29	4	600227-99-0	LOCK NUT M6 FZB *	
30	1	1822972	WHEEL 3.00-8" FRONT CH2k	
31	2	1824843	TIRE 3.00-8 FRONT MI MI2 MA MAII M90,T CH	
32	2	600770-99-0	TUBE 3.00- 8 FRONT M90,T CH CHHD CHP+ CH2k	
33	2	000000	RIM 3.00-8" FRONT CH2k KO	SEE PAGE TITLED "TRI-SPOKE WHEELS" FOR M...
33	2	309047-19-0	RIM 3.00-8" FRONT CH2k KO	
34	2	612512-99-0	BOLT ISO 4762 M8x25 *	
35	2	612531-99-0	SPACER DB 8x14x0,5 DIN 988 A2	
36	2	612513-99-0	WASH 8.4x23x5 HB 305 YELLOW	
37	0	1821250	WASH 8 PA6 8,4x15x1,5 type F	
38	1	314493	DECAL WHEEL BOLT	
39	2	1820306	Screw kit drive wheel	
40	1	1825545	Hub cap rim 8"/10" incl. reflector	
41	1	1822972	RIM 3.00-8" FRONT CH2k KO	
41	1	309351	RIM 3.00-8" INCL HUBCAP, SCREW	
42	1	1825148	SUPPORT WHEEL KIT v2	
43	1	1820459	Decalset, hook bracket	
44	1	1825156	SUPPORT WHEEL, LEFT	
45	1	1825157	SUPPORT WHEEL, RIGHT	
46	1	312872-99-2	DECAL	
47	1	316501	PLATE, C350 Right, C300 Left	
48	1	316359	BRACKET, C350 Right; C300 Left	
49	2	600227-99-0	NUT, M6 Fe/Zn DIN 985	
50	6	600238-99-0	WASHER, 6,4x12x1,6 Fe/Zn ISO 7089	
51	2	613254	SPRING	
52	2	601823-00-0	PLASTIC SLEEVE	
53	6	313571	SPACER	
54	8	600768-99-0	SCREW, M6x70 Fe/Zn ISO 4762	
55	2	600194-99-0	SCREW, M6x20 Fe/Zn ISO 4762	
56	2	315074	STICKER	
57	2	613114	SCREW, M8x40 Fe/Zn ISO 7380	
58	1	1822017	WHEEL SUPPORTWHEEL 100x24 C300/C350	
59	4	601427-99-0	WASHER, 8,4x15x1,6 Fe/Zn ISO 7092	
60	2	600228-99-0	NUT, M8 Fe/Zn DIN 985	
61	2	312871-99-1	DECAL	
62	1	316500	PLATE, C350 Left; C300 Right	
63	1	316360	BRACKET, C350 Left; C300 Right	
64	1	1826243	HOLDER CONNECTOR ANDERSON/JST	
65	1	1828116	Damper	



Pos	Qty	Stock Code	Description	Remark
1	1	1822972	WHEEL 3.00x8 AIR EU 3-SPOKE INCL. HUB	Silver colored hub cap.
2	1	1824096	WHEEL 3.00x8" INCL. HUB/COVER SOLID	Silver colored hub cap.
3	1	1822973	WHEEL 3.00x8 AIR US ALU SPLIT 3-SPOKE INCL. HUB	Silver colored hub cap.
4	1	1822978	WHEEL 3.00x8 US SOLID ALU SPLIT 3-SPOKE INCL. HUB	Silver colored hub cap.
5	1	1822971	WHEEL 3.00" x 8" AIR	
5	1	1825153	WHEEL MUD AND SNOW 3.00"x8" AIR	DEEPER TREAD THAN 1822971
6	1	1822977	WHEEL 3.00" x 8" SOLID	
7	1	1822232	RIM 1.50x8" 3-SPOKE	
8	1	1822435	HUB KIT	
9	1	1822361	TIRE 3.00" x 8"	
10	1	600770-99-0	TUBE 3.00- 8 FRONT M90,T CH CHHD CHP+ CH2k	
11	1	1824843	TIRE 3.00" x 8"	
11	1	1825108	TIRE MUD AND SNOW 3.00"x8"	DEEPER TREAD THAN 1824843
12	1	600880-99-0	BOLT MC6S 8x 30 fzb *	
12	1	601075-99-0	BOLT ESLOK 8x30 fzb	
13	1	000000	TO ORDER SEE POSITION #7	
13	1	316130	RIM INNER	
14	1	000000	TO ORDER SEE POSITION #7	
14	1	316131	RIM OUTER	
15	1	000000	TO ORDER SEE POSITION #8	
15	1	316597	HUB	
16	1	600203-99-0	BOLT MC6S 8x 20 fzb *	
17	1	1821250	WASHER 8,4x15x1,5	
18	1	612513-99-0	WASH 8.4x23x5 HB 305 YELLOW	
19	1	612531-99-0	SPACER DB 8x14x0,5 DIN 988 A2	
20	1	612512-99-0	BOLT ISO 4762 M8x25 *	
21	1	1822231	HUB CAP 3-SPOKE 8" RIM, REFLEKTOR	Black onyx
21	1	1822263	HUB CAP 3-SPOKE 8" RIM, REFLEKTOR	Red
21	1	1822264	HUB CAP 3-SPOKE 8" RIM, REFLEKTOR	Blue
21	1	1822265	HUB CAP 3-SPOKE 8" RIM, REFLEKTOR	Black metallic
21	1	1822266	HUB CAP 3-SPOKE 8" RIM, REFLEKTOR	Silver
21	1	1822267	HUB CAP 3-SPOKE 8" RIM, REFLEKTOR	Yellow
21	1	1823036	HUB CAP 3-SPOKE 8" RIM, REFLEKTOR	Green metallic
21	1	1823037	HUB CAP 3-SPOKE 8" RIM, REFLEKTOR	Pink
21	1	1823038	HUB CAP 3-SPOKE 8" RIM, REFLEKTOR	Titan blue
21	1	1827959	HUB CAP 3-SPOKE 8" RIM, REFLEKTOR	Cobalt Blue
21	1	1827961	HUB CAP 3-SPOKE 8" RIM, REFLEKTOR	Deep Purple
21	1	1827962	HUB CAP 3-SPOKE 8" RIM, REFLEKTOR	Phantom Grey
21	1	1827963	HUB CAP 3-SPOKE 8" RIM, REFLEKTOR	Volkano Red
22	2	1825345	TRI-SPOKE HUB CAP- VINTAGE WINE	Pair
22	2	1825346	TRI-SPOKE HUB CAP- CRYSTAL BLUE	Pair
22	2	1825347	TRI-SPOKE HUB CAP- BLACK ONYX	Pair
22	2	1825348	TRI-SPOKE HUB CAP- PLATINUM SILVER	Pair
22	2	1825349	TRI-SPOKE HUB CAP- EXTREME YELLOW	Pair
22	2	1825350	TRI-SPOKE HUB CAP- CHILI PEPPER RED	Pair
22	2	1825351	TRI-SPOKE HUB CAP- TITAN BLUE	Pair
22	2	1825352	TRI-SPOKE HUB CAPS- METALLIC GRAY	Pair
22	2	1825353	TRI-SPOKE HUB CAP- METALLIC GREEN	Pair
22	2	1825354	TRI-SPOKE HUB CAP- POP STAR PINK	Pair
22	2	1827960	TRI-SPOKE HUB CAP- Deep Purple	Pair
22	2	1827964	TRI-SPOKE HUB CAP- Cobalt Blue	Pair
22	2	1827965	TRI-SPOKE HUB CAP- Phantom Grey	Pair
22	2	1827966	TRI-SPOKE HUB CAP- Volcano Red	Pair
22	1	1828995	HUB CAP COBALT BLUE 3-SPOKE NO REFLECTOR	Single
22	1	1828997	HUB CAP PHANTOM GREY 3-SPOKE NO REFLECTOR	Single
22	1	1828998	HUB CAP POP STAR PINK 3-SPOKE NO REFLECTOR	Single
22	1	1828999	HUB CAP VOLCANO RED 3-SPOKE NO REFLECTOR	Single
22	1	316132	HUB CAP, without reflector	
23	1	316269	HUB CAP PLASTIC	
24	1	1820324	REFLECTOR	
25	1	1825108	TIRE 3.00- 8 DEEP TREAD	
26	1	1824218	WHEEL 210x65 AIR 3-SPOKE	
27	1	1822415	WHEEL 210x65 SOLID 3-SPOKE	
28	1	317447-99-0	WHEEL 210x65 AIR 3-SPOKE	
29	1	316231	WHEEL 210x65 SOLID 3-SPOKE	
30	1	1822416	RIM 210x65 3-SPOKE	
31	1	1822417	WHEEL BOLT KIT 3-SPOKE RIM 210X65	
32	1	612397-08-0	TIRE 210x65 REAR SOLID	
33	1	600752-99-0	BALL BEAR 6002-2RS1 *	
34	1	000000	SPACER	
34	1	316386	SPACER	
35	1	1821261	Nut DIN 982 M6 fzb	
36	1	000000	TO ORDER SEE POSITION #30	
36	1	316156	RIM INNER 210x65	
37	1	000000	TO ORDER SEE POSITION #30	
37	1	316155	RIM OUTER 210x65	
38	1	601333-99-0	BOLT MC6S 6x35 fzb	
39	1	1823146	PLASTIC PLUG	
40	1	600228-99-0	LOCK NUT Din 985 M8 Fe/Zn	
41	1	305390-99-0	WASH 8.5x23x3 fzb *	
42	1	1821264	SCREW ISO 10642 M8x75 10,9 Fe/Zn	
43	1	602569-08-0	TIRE 210x65 REAR AIR FILLED CH2k	
44	1	602568-99-0	TUBE 210x65 REAR CH2k *	

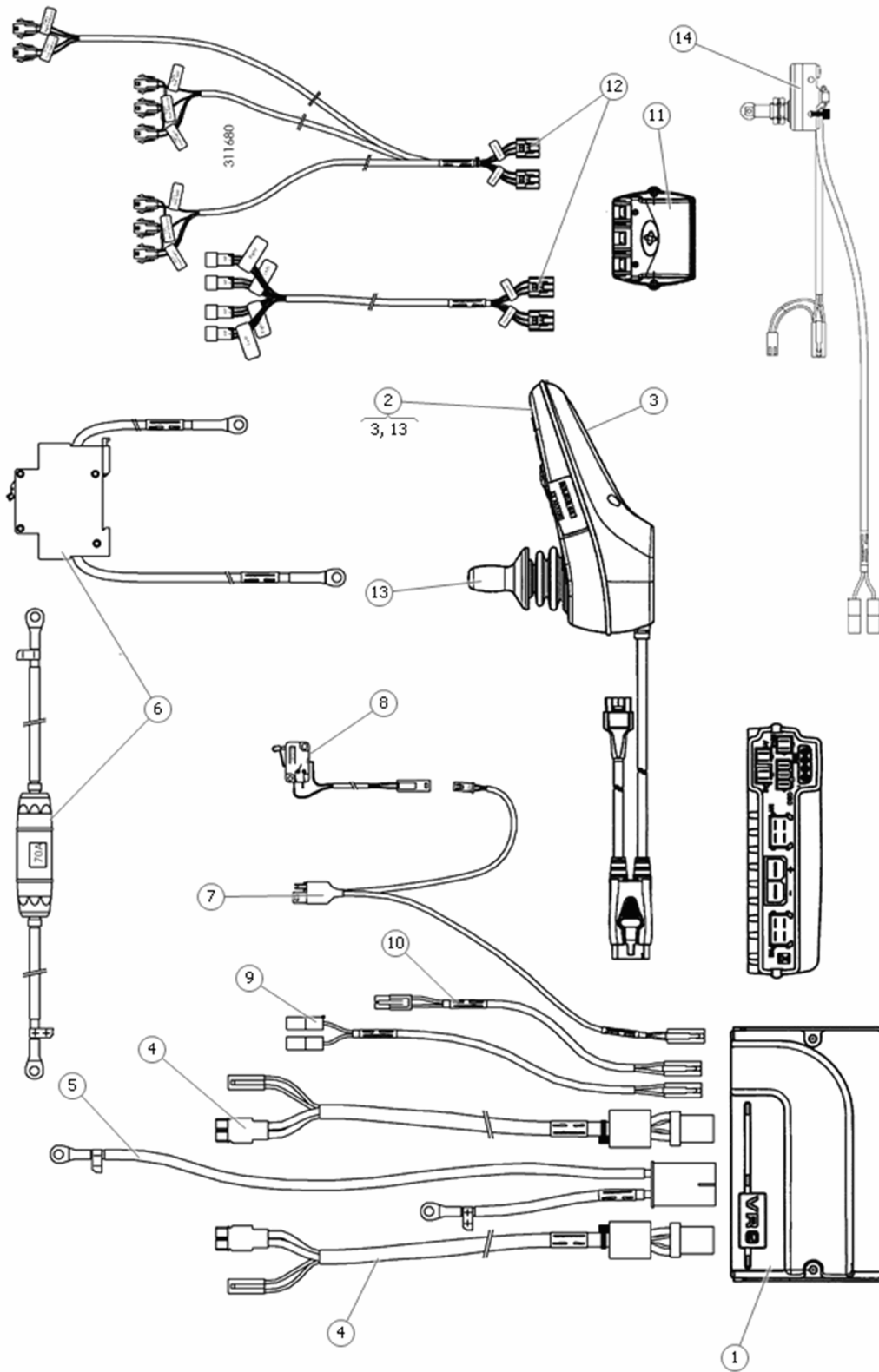


Pos	Qty	Stock Code	Description	Remark
1	1	612698-00-0	ELECTRONICS VSI BASIC *	
1	1	812698	Electronics VSI 50-24-OBC Exch	
2	1	612699-00-0	ELECTRONIS VSI ADVANCED *	
2	1	812699	Electronics VSI 70-24-OBC-A2 Exch	
3	1	1824344	Charge sticker	
4	1	1823297	Knob	
5	1	311344-00-0	Cable Main Fuse	
6	1	602052-99-0	FUSE GLASS 50 A *	
7	1	1822469	Cable Brake Release	
8	1	1820435	LIMITSW KIT SEAT TILT - C300	
9	1	311354-00-0	CABLE ADAPTER HALFSPEED SEAT ELEV VSI	
10	1	311351-99-0	CABL SEAT TILT DRIVE INH. SEAT ELEV STOP C300 VSI	
11	1	313765-00-0	CABLE SEAT ELEV C300 INCL MOUNT	
12	1	311350-00-0	Cable Two Actuators	
13	1	313843-99-0	Angle Stop Two Functions	
14	1	1826768	OVERLAY 6 BUTTON	VSI ADVANCED
15	1	1826769	OVERLAY 4 BUTTON	VSI BASIC

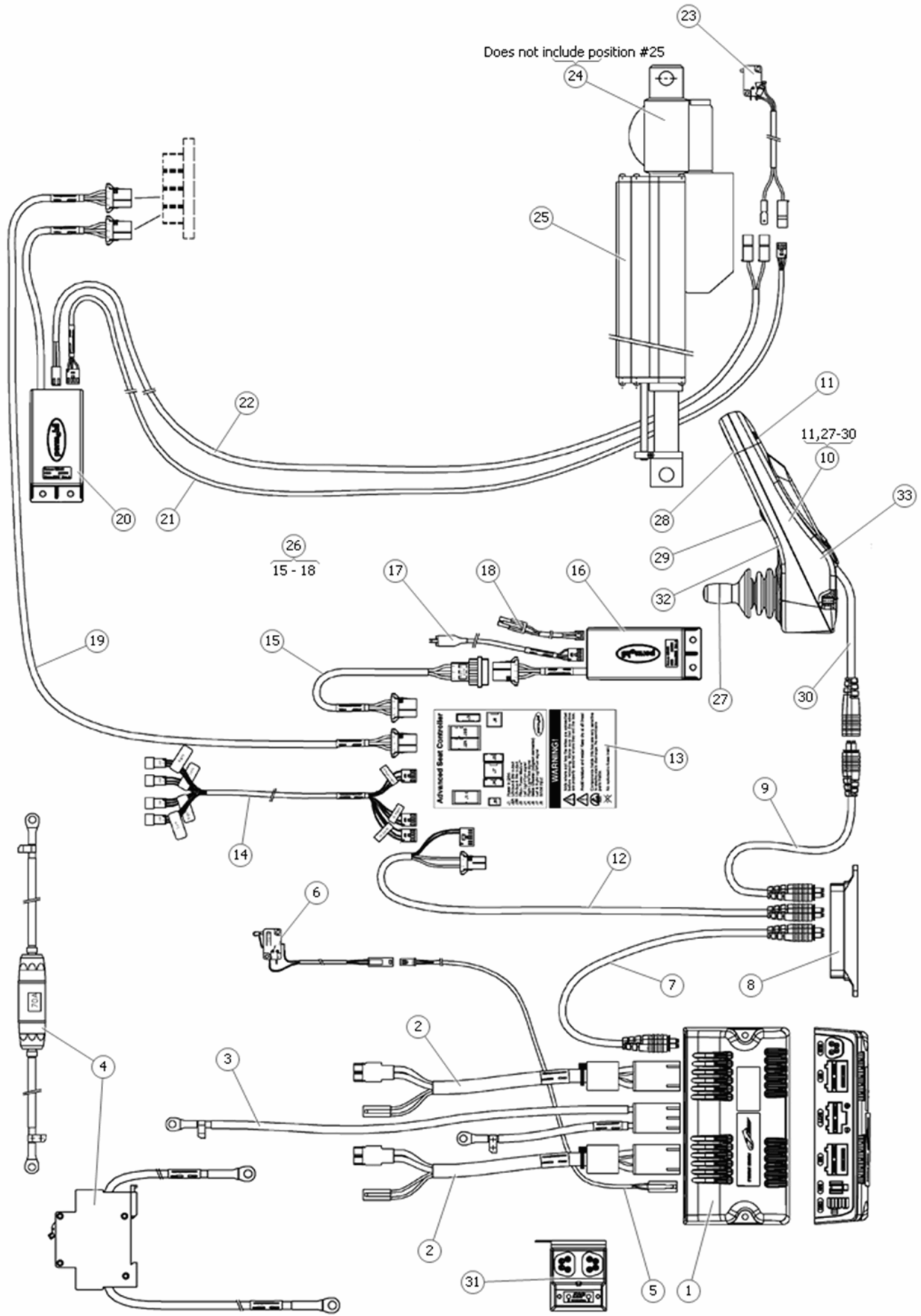




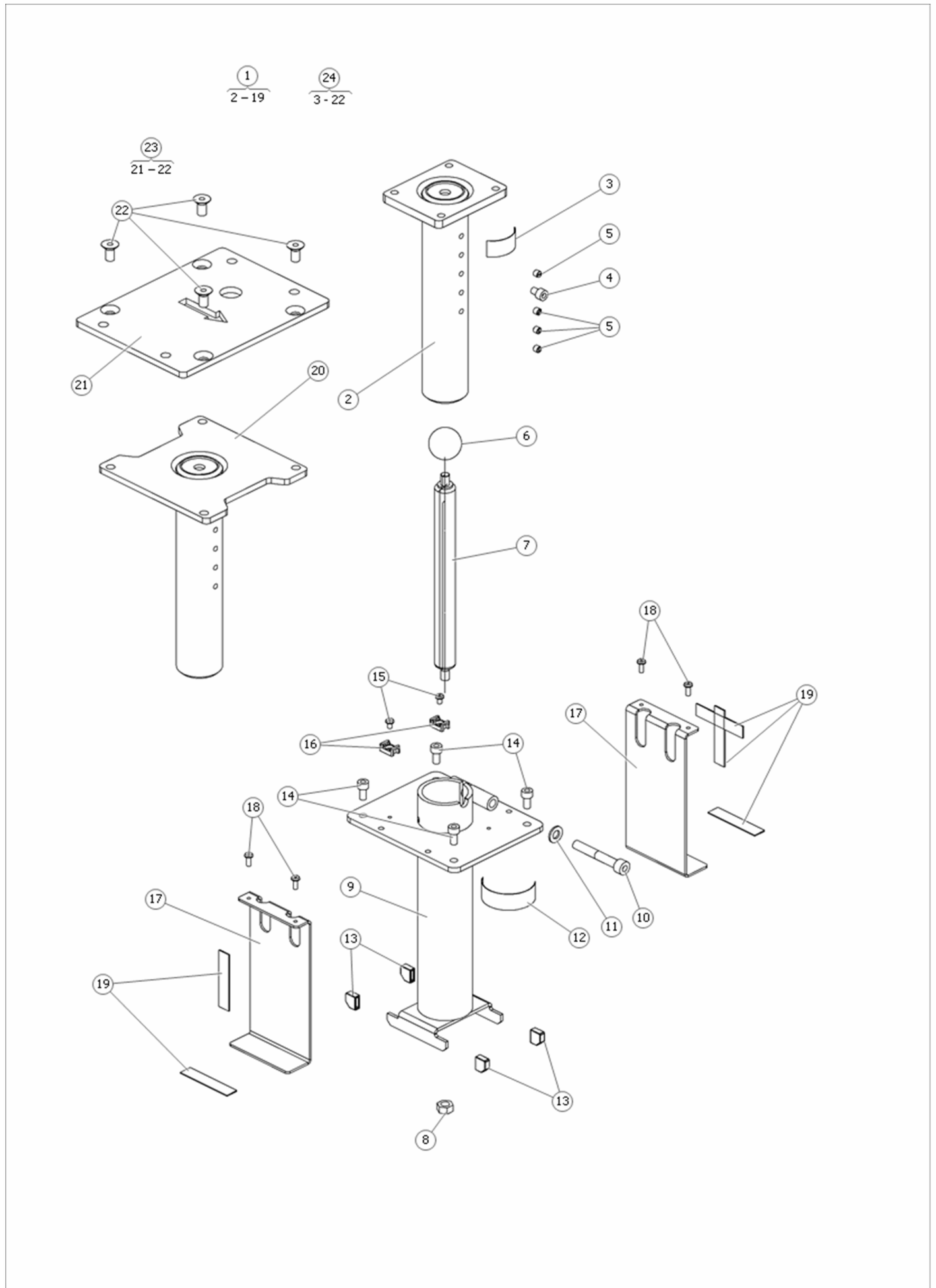
Pos	Qty	Stock Code	Description	Remark
1	1	309393-00-0	ELECTRONIC PILOT+ CH2k KOP+ ENP+ CHHDP+ CHP+	MUST BE PROGRAMMED FOR EACH CHAIR MO...
1	1	809393-00-0	ELECTRONIC PILOT+ (EXCH) CH2k KOP+ ENP+	MUST BE PROGRAMMED FOR EACH CHAIR MO...
2	1	1826548	CTRL PANEL PILOT+ TOGGLE SWITCH	JOYSTICK HAS TWO TOGGLE SWITCHES
2	1	309391-00-0	CTRL PANEL PILOT+ PG CH2k ENP+ KOP+ CHP+ CHHDP+	
2	1	311206-00-0	CTRL PANEL PILOT+ MONO JACK	JOYSTICK HAS TWO MONO JACKS
3	1	1824344	Charge sticker	
4	1	603086-99-0	Knob	
5	1	311342-00-0	CABLE BATT/MOTOR C300	
6	1	1822468	Cable Main Fuse	
7	1	601999-99-0	FUSE GLASS 70 A	
8	1	309082-00-0	CABL ELECTRONIC P+ - SLS CH2k	
9	1	310417-99-0	PCB SLS+ V.2 INCL CASE CH2k ENP+ CHP+ CHHDP+	
10	1	309083-00-0	CABLE 24V OUTLET SLS+ CH2k EN P+	
11	1	311294-00-0	CABL INHIBIT SEAT TILT	
12	1	311343-00-0	CABLE SLS/BRAKERERELEASE C300	
13	1	1822469	Cable Brake Release incl. Switch	
14	1	1820435	Cable Seat Tilt	
15	1	311195-99-0	CABLE SEAT ELEV P+	
16	1	305547-00-0	CABLE SW.BOX MS90 CH HEXIII CHHD CHP+	
17	1	305346-00-0	CABLE 24V ACTU CTRL CH HEXIII CHHD CHP+	
17	1	311346-00-0	CABLE 24V ACTU CII C300	
18	1	311351-99-0	CABL SEAT TILT DRIVE INH. SEAT ELEV STOP C300 VSI	
19	2	307131-99-0	PCB ACTU CONTROL V.2 CII GN	
20	1	311273-99-0	ANGLE STOP CORPUS STR	
21	1	305349-00-0	CABLE 24V JUMPER	
22	1	305350-00-0	CABLE SWITCH JUMPER CH	
23	1	306293-00-0	Cable Actu Ctrl L=700	
24	1	307966-00-0	switch box top	
26	1	306020-00-0	bottom low	
26	1	306021-00-0	bottom hight	
27	1	305963-00-0	switch box	
28	1	603090-00-0	Joyst shield	
29	1	603089-00-0	Joyst boot	
30	1	1826765	7 Button Overlay	
30	1	1826767	3 Button Overlay	
31	1	1826528	3m	
31	1	1826543	1.5m	
31	1	1826586	1m	
31	1	309392-00-0	2m	
32	1	1824724	Holder	



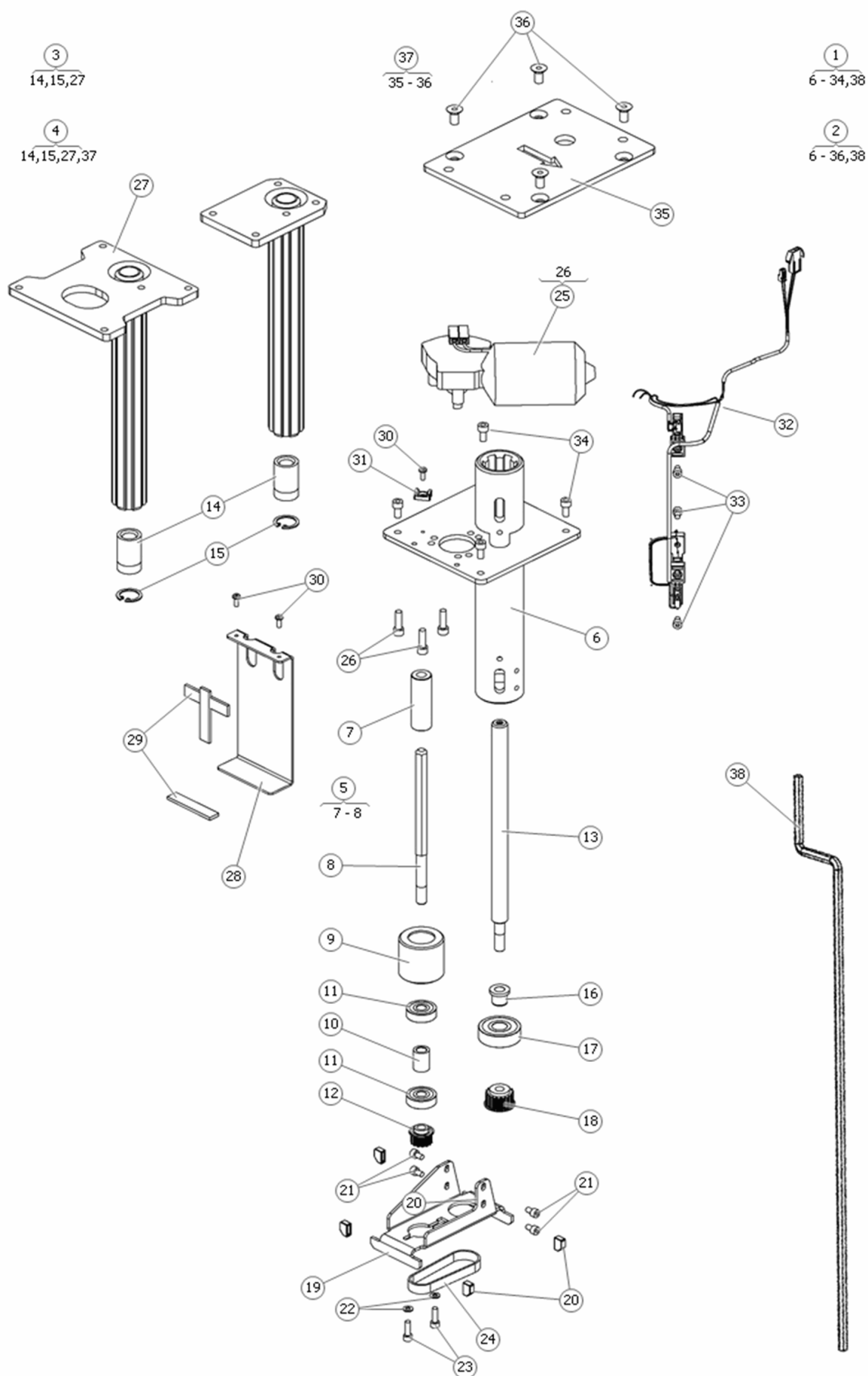
Pos	Qty	Stock Code	Description	Remark
1	1	1822391	Electronics basic VR2 PM70	
1	1	1822392	Electronics advanced VR2 PM70-A2	
2	1	1822387	Control panel VR2 JSM	
2	1	1822388	Control panel VR2 JSM ADVANCED	
2	1	1823603	CONTROL PANEL VR2, TILT ONLY JOYST	
3	1	1824344	Charge sticker	
4	2	1822373	Cable motor and brake	
5	1	1822374	Cable battery	
6	1	1822468	Cable mainfuse 70A	
6	1	1828003	Cable circuit breaker 63A	
7	1	1822363	Cable inhibit/lowspeed	
8	1	1822469	Cable brake release	
9	1	1822365	Cable actuator	
10	1	1822364	Cable seatelevator	
11	1	1822470	Light module VR2	
12	1	1822362	Cable adapter light	
12	1	1827957	Cable adapter light	
13	1	1823297	Knob, Joystick	
14	1	1824116	Cable seat tilt inhibit	



Pos	Qty	Stock Code	Description	Remark
1	1	1822393	R-NET POWER MODULE 120A	
1	1	1825774	R-NET Power module 90A	
2	2	1822376	Cable motor and brake	
3	1	1822377	Cable battery	
4	1	1822468	Cable mainfuse 70A	
4	1	1828003	Cable mainfuse 63A	
5	1	1822370	Cable extension brake release	
6	1	1822469	Cable brake release	
7	1	1821538	Cable bus r-net L=500mm	
7	1	614010	Cable bus r-net L=300mm	
8	1	1821537	Connection block r-net 4-pos	
9	1	1821526	Cable bus r-net L=2500mm	
9	1	1821538	.5	
9	1	1823977	3.5	
9	1	1824291	1.5	
9	1	1826764	1	
9	1	1828192	R-NET BUS CABLE 1000m MALE TO MALE	
10	1	1822389	Control panel JSM-L-SW R-NET	
10	1	1822390	Control panel JSM-L-SW-T R-NET	
10	1	1825746	CTRL PANEL COLOUR DISPLAY R_NET	
10	1	1825758	CTRL PANEL R-net JSM-LED-L 700mm	
10	1	1826544		
10	1	1826545	R-NET JSM SPD POT & TOGGL	
10	1	1826588		
10	1	1826675		
10	1	1826676		
10	1	1826677	R-NET JSM L W/ SPEED POT	
10	1	1826766		
11	1	1824344	Charge sticker	
12	1	1822821	CABLE MAIN LIN R-NET L=750mm	
12	1	311801	CABLE MAIN LIN R-NET L=280mm	
13	1	1821535	PCB ICS advanced seat control	
14	1	1822367	Cable adapter light	
14	1	1827956	Cable adapter light	
15	1	1821532	CABLE EXT. 300MM ICS ACTUATOR	Lenght = 300mm
15	1	1821533	CABLE EXT. 500MM ICS ACTUATOR	Lenght = 500mm
15	1	1821827	Cable extension ICS L=700mm	Lenght = 700mm
16	1	1821382	Electronics seat elevator	Incl. 2 screws
17	1	1823170	Cable adapter seat elevator L=100mm	
18	1	306853-00-0	CABLE ADAPTION SEAT ELEV EL.UNIT SLS V.2	
19	1	1821531	Cable main lin connection block ICS L=1700mm	
20	1	1822288	Electronics tilt	Incl. 2 screws and washers
21	1	1822290	Cable soft pot ICS L=1000mm	
22	1	305677-00-0	CABLE ACTU CONTROL L=1000 MS90 CH HEXIII	
23	1	1824177	CABLE SET SWITCH SEATTILT	
23	1	314351-99-0	CABLE SET SWITCH SEATTILT	Incl. switch and bracket
24	1	612871-99-0	ACTU LA30-150-24	For use with Pilot+, R-net, VR2 and VSI
25	1	1826368	Position sensor 150mm reverse	
26	1	1824821	CABLE SET SEAT ELEVATOR	
27	1	1823297	Knob, Joystick	
28	1	1826509	KEYPAD FRONT R-NET JSM	For control panel 1822389 and 1825746
29	1	1826510	KEYPAD REAR R-NET JSM	For control panel 1822389 and 1825746
30	1	1826820	CABLE JSM	CALL TECHNICAL SUPPORT FOR ASSISTANCE...
31	1	1827974	ESP-module incl. bracket	
32	1	1826567	JSM Top Case	
33	1	1826587	JSM Bottom Case	

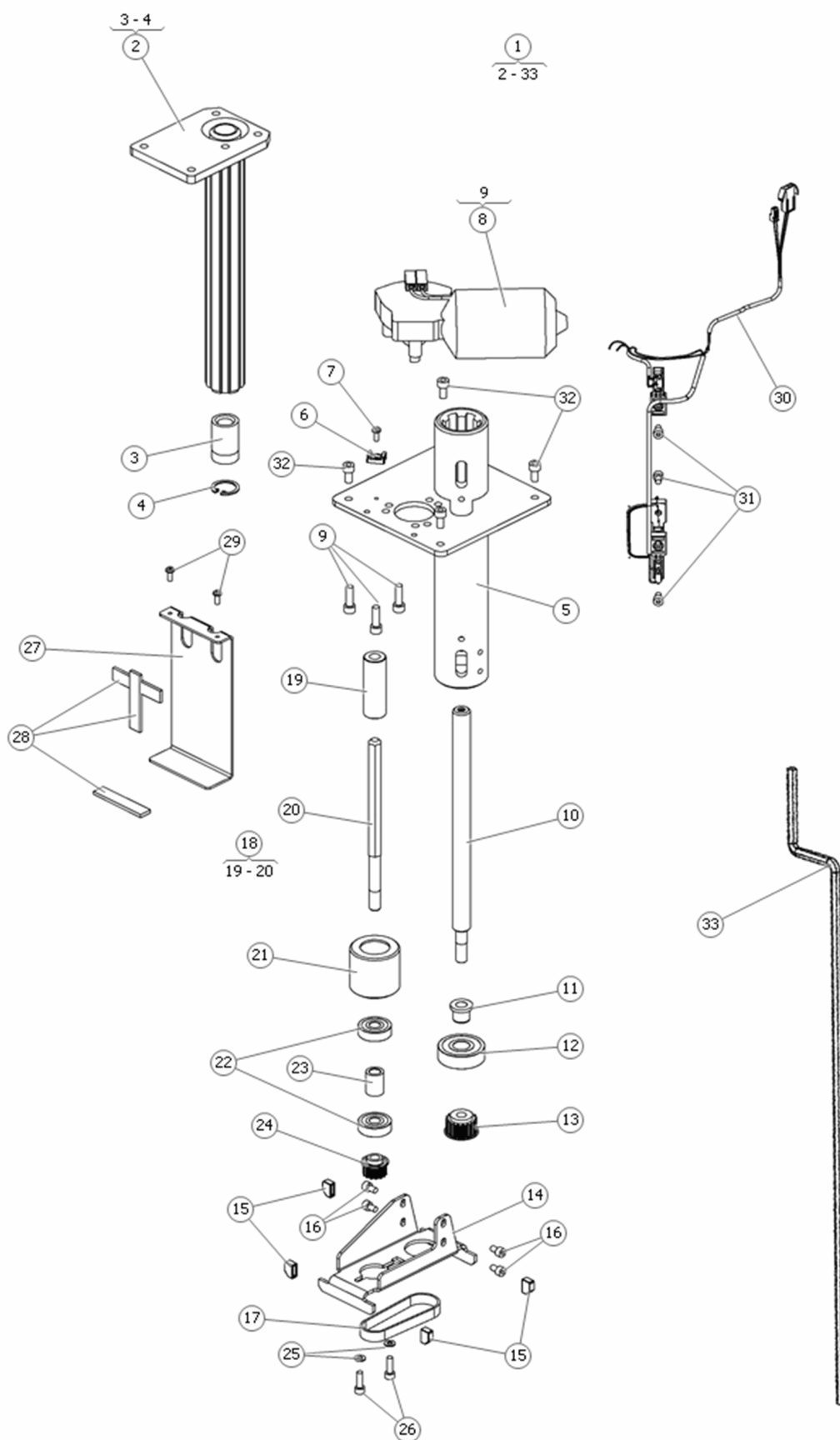


Pos	Qty	Stock Code	Description	Remark
1	1	1826957	SEAT TUBE	
2	1	1826958	SEAT TUBE	
3	1	313991	STICKER	
4	1	601359-99-0	BOLT MC6S 6x 8 fzb *	
5	4	612828	SET SCREW	
6	1	612954	HANDLE	
7	1	612958	GAS SPRING	
8	1	600228-99-0	LOCK NUT M8 FZB *	
9	1	313593	OUTER TUBE	
10	1	601157-99-0	BOLT MC6S 8x 55 fzb *	
11	1	600239-99-0	Washer ISO 7089 8,4x16x1,6 Fe/Zn	
12	1	308077	STICKER	
13	1	1820421	CAP	Incl. 4 pcs
14	4	600192-99-0	BOLT MC6S 6x12 fzb *	
15	1	601381-99-0	BOLT K6S 4x 8 fzb *	
16	1	601204-99-0	CABLE TIE HOLD TM 2 S8 *	
17	1	313643	PLATE	
18	2	601381-99-0	BOLT K6S 4x 8 fzb *	
19	3	612482	RECLOSABLE FASTENER	
20	1	316347	SEAT TUBE	SEE POSITION #24 TO ORDER
21	1	315714	INSTALL KIT SEAT C350	
22	4	601716-99-0	SCREW ISO 10642 M8x16 10.9 Fe/Zn	
23	1	1823270	ADAPTER PLATE SEAT ELEVATOR	
24	1	1820446	Seat tube	

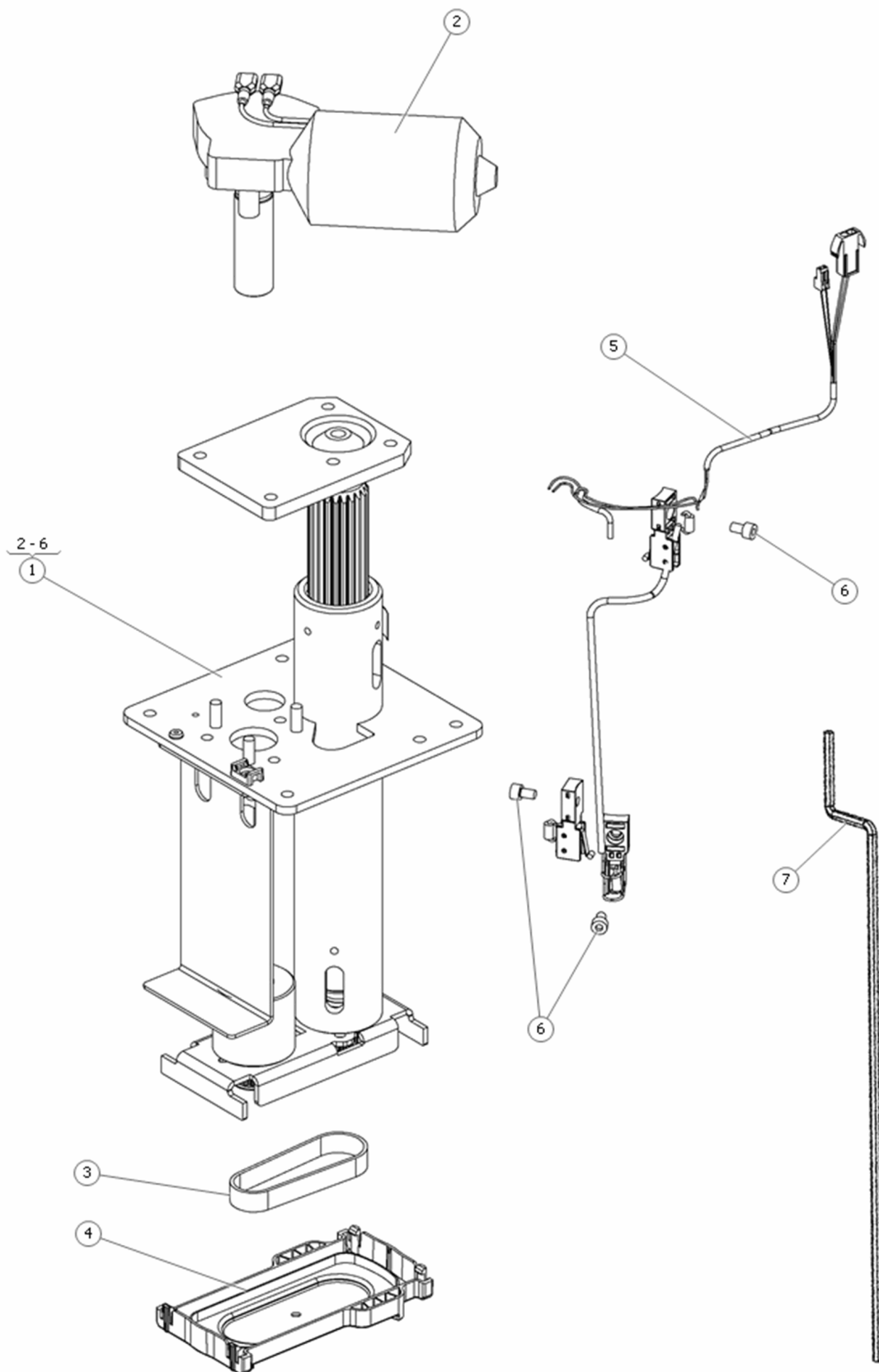




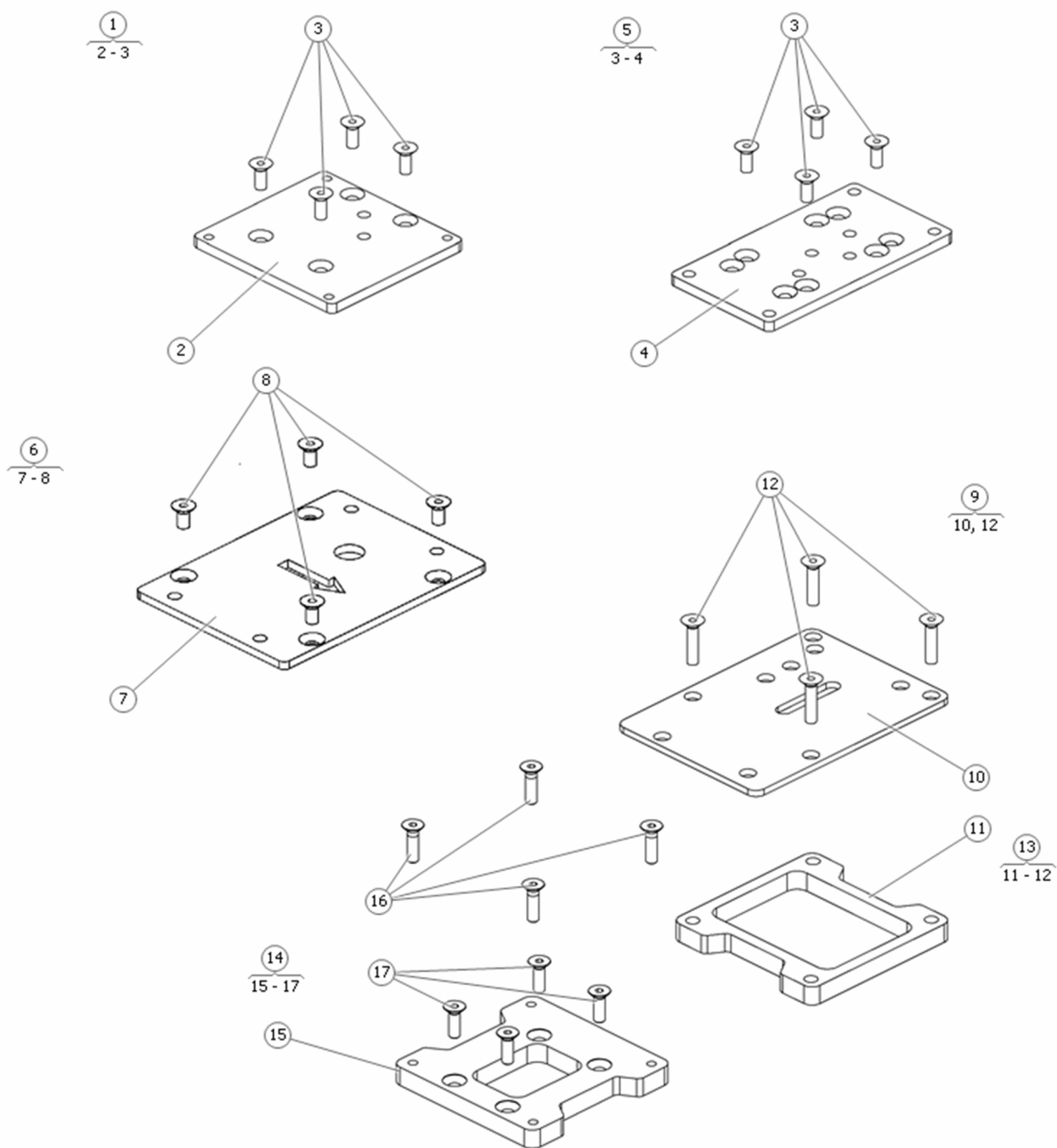
Pos	Qty	Stock Code	Description	Remark
1	1	1820423	Seat elevator for tilt	
2	1	1824348	Seat elevator without tilt	
2	1	1824822	Seat elevator kit, without tilt	Incl: Cable set seat elevator R-net. Stock Code 1824..
3	1	1820424	Inner tube seat elevator - With tilt	
4	1	1820428	Inner tube seat elevator - Without tilt	
5	1	1820426	Plastic sleeve and screw seat elevator	
6	1	313627	Outer tube	
7	1	1830072	PLASTIC SLEEVE SEAT ELEVATOR	
7	1	1830072	PLASTIC SLEEVE SEAT ELEV CH CH2k CHHD	
7	1	309087-99-0	PLASTIC SLEEVE SEAT ELEV CH CH2k CHHD	
8	1	313962	Screw	
9	1	313636	Bearing Race	
10	1	313637	Socket	
11	2	600515	BALL BEAR 6200-2RS1	
12	1	313639	Timing belt pulley wheel	
13	1	313621	Screw	
14	1	302248	Nut	
15	1	612307	CIRCLIP INTERNAL DIN 472 Ø24	
16	1	310277	SOCKET SEAT ELEVATOR	
17	1	600709-99-0	BALL BEAR 6302-2RS1 *	
18	1	313638	Timing Belt Pulley Wheel	
19	1	313521	Plate	
20	1	1820421	Cap	Incl. 4 pcs
21	4	600188-99-0	BOLT MC6S 5x 8 fzb	
22	2	600237-99-0	WASH BRB 5.3x10x 1 fzb *	
23	2	600543-99-0	BOLT MC6S 5x20 fzb *	
24	1	600892-99-0	DRIVEB SEAT ELEV MS90 CHHD HEXIII,8 CH2k	
25	1	1820425	Motor 240rpm 24V 30W	
26	3	600194-99-0	BOLT MC6S 6x20 fzb	
27	1	313632	Inner Tube	
28	1	313643	SLS Bracket	
29	1	612623	Velcro Tape 12,7 Adhesive	
30	3	600194-99-0	BOLT MC6S 6x20 fzb	
31	1	601204-99-0	CABLE TIE HOLD TM 2 S8 *	
32	1	311195-99-0	CABLE SEAT ELEV P+	
33	2	600188-99-0	BOLT MC6S 5x 8 fzb	
34	4	600192-99-0	BOLT MC6S 6x12 fzb *	
35	1	315714	Adapter plate	
36	4	601716-99-0	BOLT MF6S 8x16 fzb	
37	1	1823270	Adapter plate kit	
38	1	303668-99-0	Key	



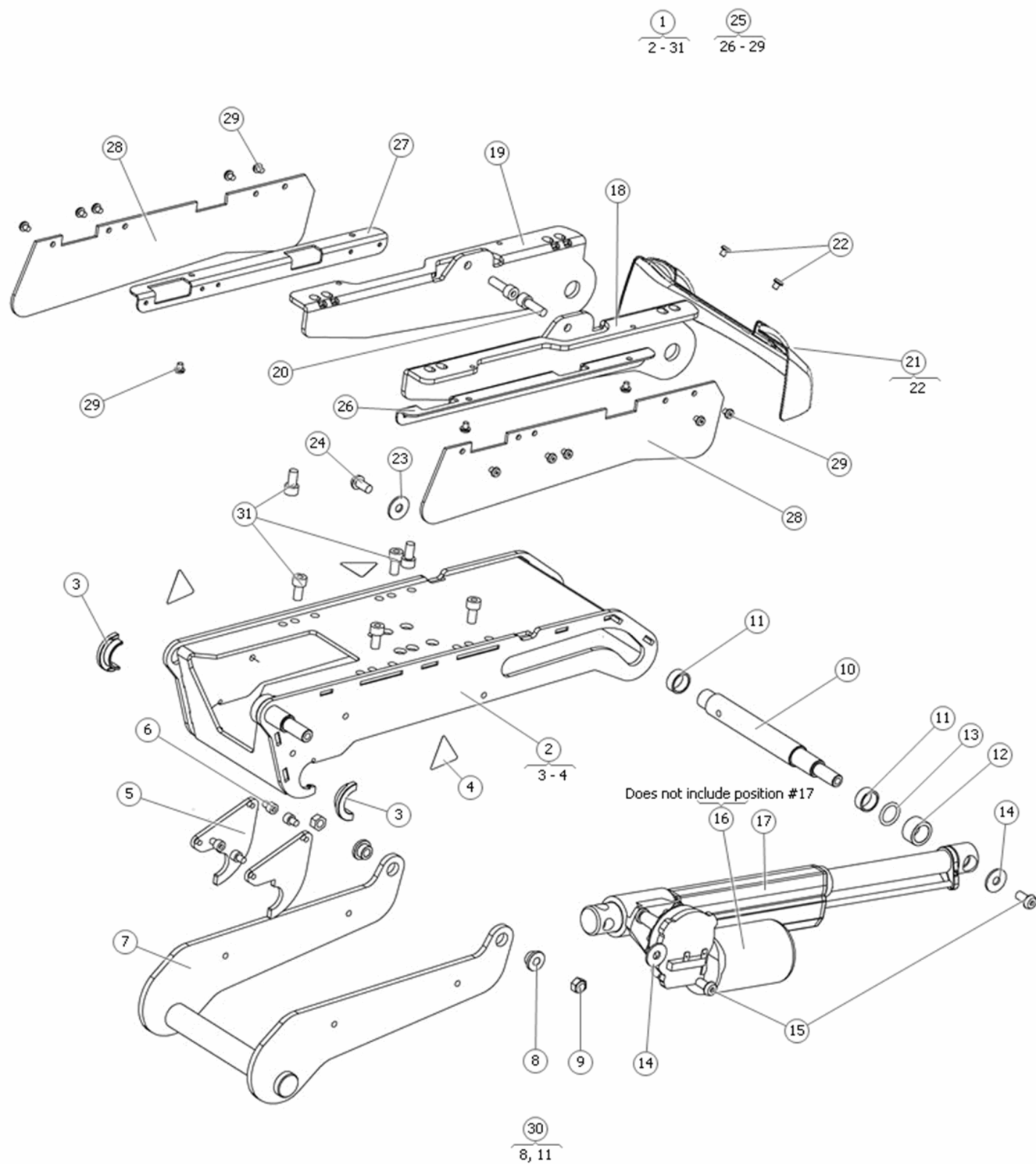
Pos	Qty	Stock Code	Description	Remark
1	1	1825143	Seat elevator R-net	
1	1	1825840	Seat elevator	
1	1	1830512	Seat elevator VR2	
2	1	1828368	Inner tube	
3	1	302248	Nut	
4	1	612307	Circlip internal DIN 472 Ø24	
5	1	313627	Outer tube	
6	1	601204-99-0	CABLE TIE HOLD TM 2 S8 *	
7	1	601187-99-0	BOLT K6S 4x10 fzb *	
8	1	1820425	Motor 240rpm 24V 30W	
9	1	600194-99-0	BOLT MC6S 6x20 fzb	
10	1	313621	Screw seatelevator	
11	1	310277	Socket	
12	1	600709-99-0	BALL BEAR 6302-2RS1 *	
13	1	313638	Wheel incl. Washer Ø27,8	
14	1	313521	Plate	
15	4	1820421	Cap	
16	1	600188-99-0	BOLT MC6S 5x 8 fzb	
17	1	600892-99-0	DRIVEB SEAT ELEV MS90 CHHD HEXIII,8 CH2k	
18	1	1820426	Transmission kit	
19	1	1830072	PLASTIC SLEEVE SEAT ELEVATOR	
19	1	1830072	PLASTIC SLEEVE SEAT ELEV CH CH2k CHHD	
19	1	309087-99-0	PLASTIC SLEEVE SEAT ELEV CH CH2k CHHD	
20	1	313962	Transmission axel	
21	1	313636	Bearing race	
22	1	600515	BALL BEAR 6200-2RS1	
23	1	313637	Socket	
24	1	313639	Wheel incl. Washer Ø21,45	
25	1	600237-99-0	WASH BRB 5,3x10x 1 fzb *	
26	1	601165-99-0	BOLT MC6S 5x16 fzb *	
27	1	313643	Plate	
28	3	612482	Reclosable fastener 12,7mm adhesive	
29	1	601187-99-0	BOLT K6S 4x10 fzb *	
30	1	311195-99-0	CABLE SEAT ELEV P+	
31	1	600188-99-0	BOLT MC6S 5x 8 fzb	
32	1	600192-99-0	BOLT MC6S 6x12 fzb *	
33	1	303668-99-0	SEAT ELEV KEY	



Pos	Qty	Stock Code	Description	Remark
1	1	1830512	Seat elevator	
2	1	1830165	Motor 240rpm 24V 30W	With socket
3	1	1828657	Timing belt	12mm
4	1	1828656	Cover seat elevator base	
5	1	311628-99-0	CABLE SEAT ELEV	
6	1	600188-99-0	Screw ISO 4762 M5x8 Fe/Zn	
7	1	303668-99-0	SEAT ELEV KEY	

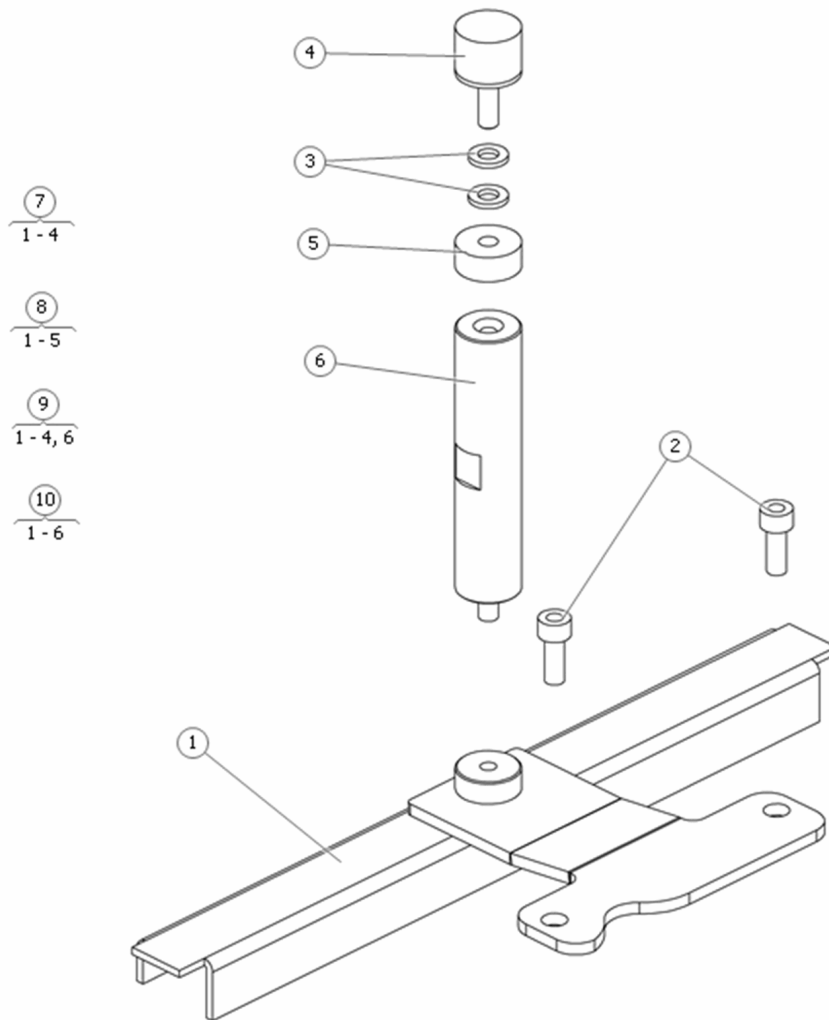


Pos	Qty	Stock Code	Description	Remark
1	1	1830515	Adapter kit seat elevator CII tilt	
2	1	318488	Adapter plate	
3	1	600764-99-0	Screw ISO 10642 M8x20 Fe/Zn	
4	1	318606	Adapterplate	
5	1	1825313	Adapter kit Seat elevato, no tilt	
6	1	1823270	Adapter plate kit	For seat elevator with large top plate (140mm x 133...
7	1	315714	Adapter plate	
8	1	601716-99-0	Sc rew ISO 10642 M8x16 Fe/Zn	
9	1	1830746	Adapter kit PS-Junior K300	
10	1	318274	Adapter plate	
11	1	321213	Spacer plate PS-junior no tilt	
12	1	612349	Screw	
13	1	1828099	Adapter kit PS-Junior Fixed tube no tilt	
14	1	1830137	Adapter kit PS-junior no tilt	
15	1	322902	Adapter plate	
16	1	601257-99-0	Screw ISO 10642 M8x30 Fe/Zn	
17	1	600744-99-0	Screw ISO 10642 M8x25 Fe/Zn	

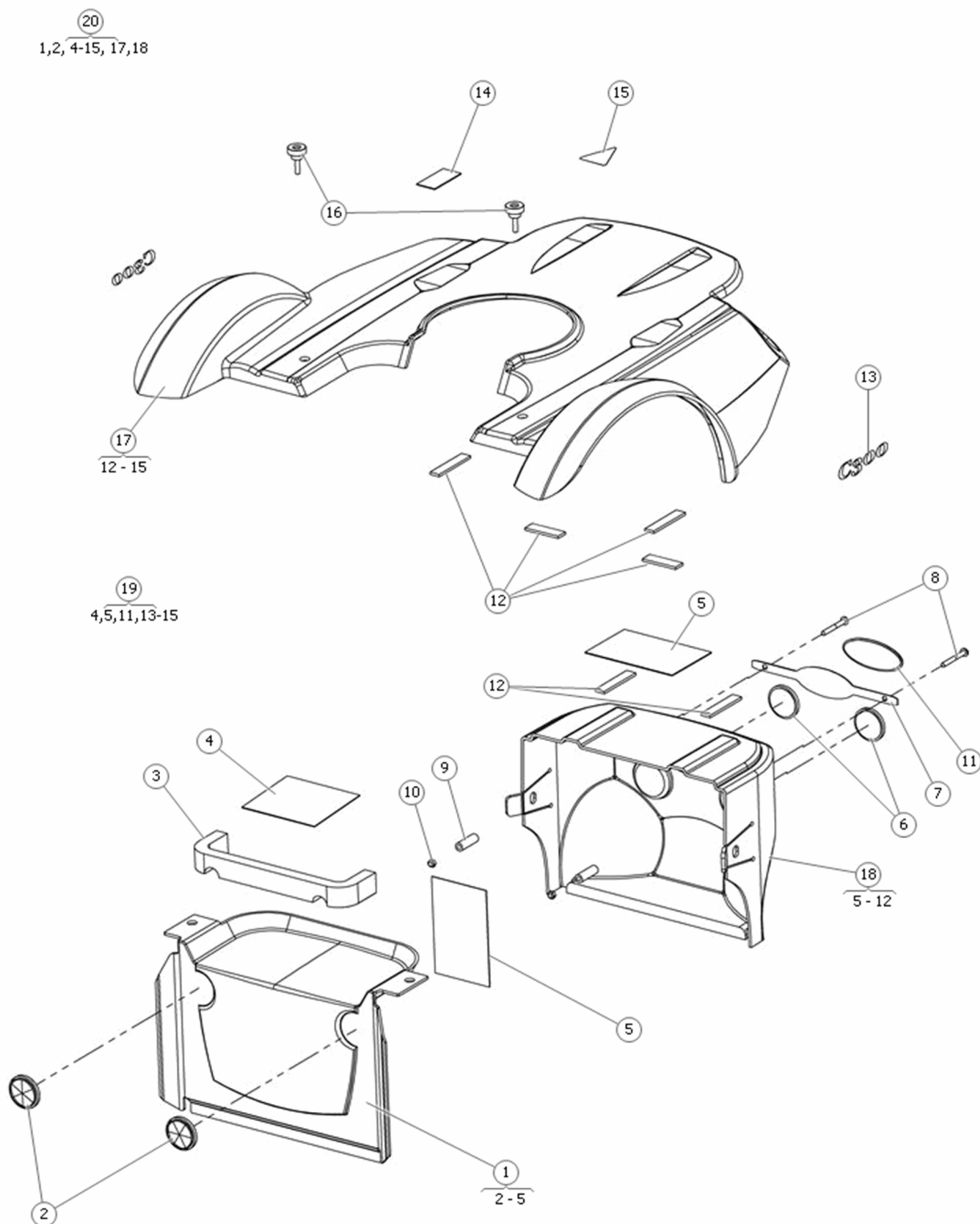




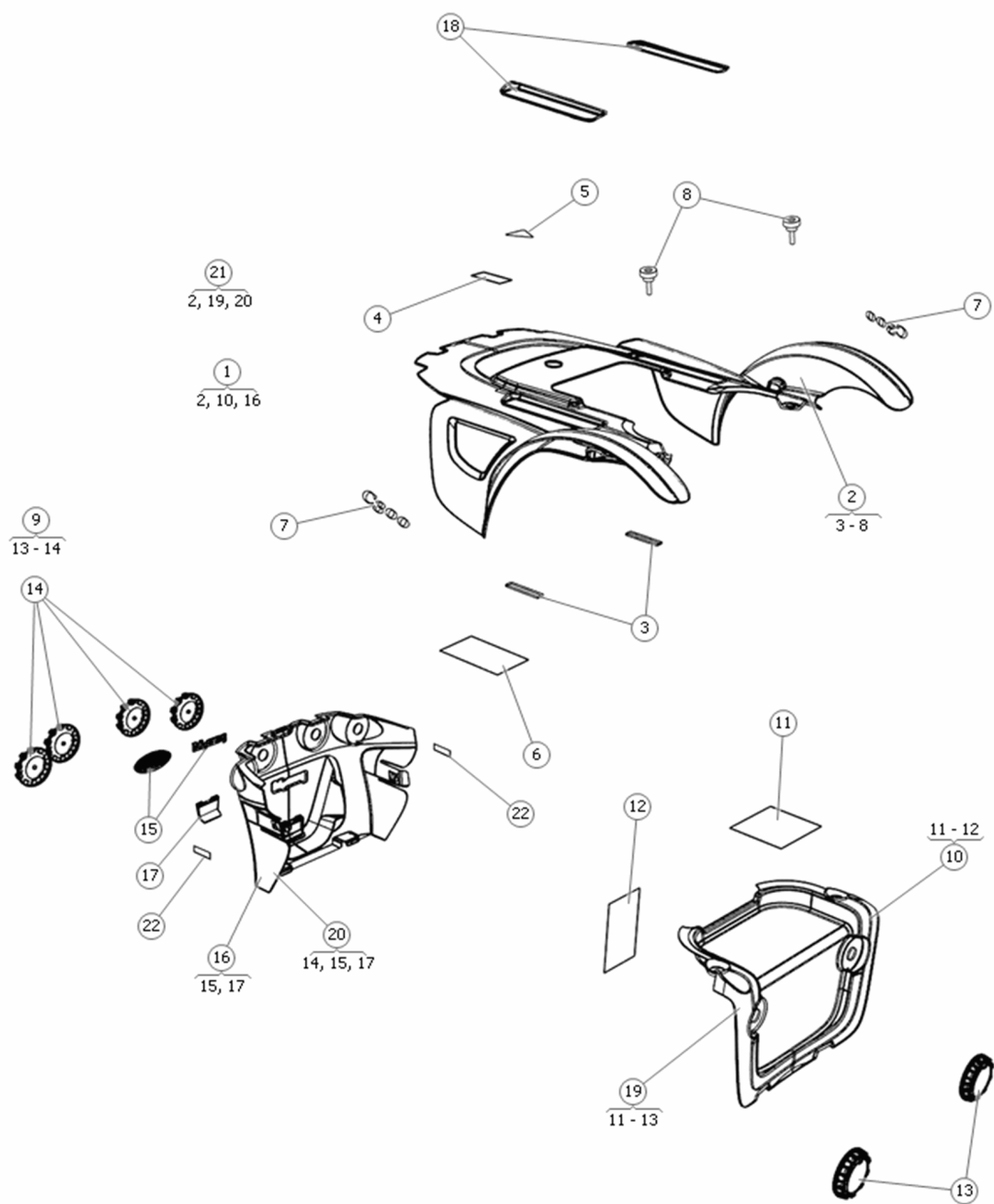
Pos	Qty	Stock Code	Description	Remark
1	1	1820429	Seat tilt 45°	
1	1	1824708	SEAT TILT 45° INCL. SOFTPOT	
2	1	313757	Seat tilt box	
3	1	313670	Bearing	
4	1	313891-99-0	DECAL SEAT TILT WARNING	
5	1	313759	Tilt shackle	
6	1	600888-99-0	BOLT MC6S 6x10 fzb *	
7	1	313747	Seat tilt slew brack	
8	1	1823932	Bearing	
9	1	600228-99-0	LOCK NUT M8 FZB *	
10	1	313751	Shaft seat tilt	
11	1	1820434	BEARING	OBSOLETE WHEN ZERO INVENTORY
11	1	313750	Bearing	
12	1	313753	Spacer	
13	1	612814	O-ring Ø18x3	
14	1	612393-99-0	Washer ISO 7093-1 M8 fzb	
14	1	612393-99-0	WASHER RB 8,4x24x2 fzb 140HV DIN9021 ISO 7093	
15	1	601404-99-0	Screw ISO 7380 M8x16 fzb	
16	1	612871-99-0	ACTU LA30-150-24	Use with Pilot+, VSI, VR2
17	1	1820435	Limit switch kit	THIS IS THE LIMIT SWITCH DEPICTED IN THE DR..
17	1	1826368	Soft pot	THIS PART DIFFERS FROM WHAT IS SHOWN IN...
18	1	313760	Seat brack Left	
19	1	313752	Seat brack Right	
20	1	600499-99-0	BOLT MC6S 8x 25 fzb *	
21	1	1820433	Cover	
22	1	612781-99-0	SKRUV ISO 7380 M5x6 *	
23	1	612393-99-0	Washer ISO 7093-1 M8 fzb	
23	1	612393-99-0	WASHER RB 8,4x24x2 fzb 140HV DIN9021 ISO 7093	
24	1	601404-99-0	Screw ISO 7380 M8x16 fzb	
25	1	1820432	Crush guard kit	
26	1	313813	Crush guard bracket Right	
27	1	313769	Crush guard bracket Left	
28	1	313768	Crush guard	
29	1	612781-99-0	SKRUV ISO 7380 M5x6 *	
30	1	1825440	SLIDE BEAR KIT FRONT- HINGE TILT 45° C300	
31	1	600590-99-0	BOLT MC6S 8x 16 fzb *	



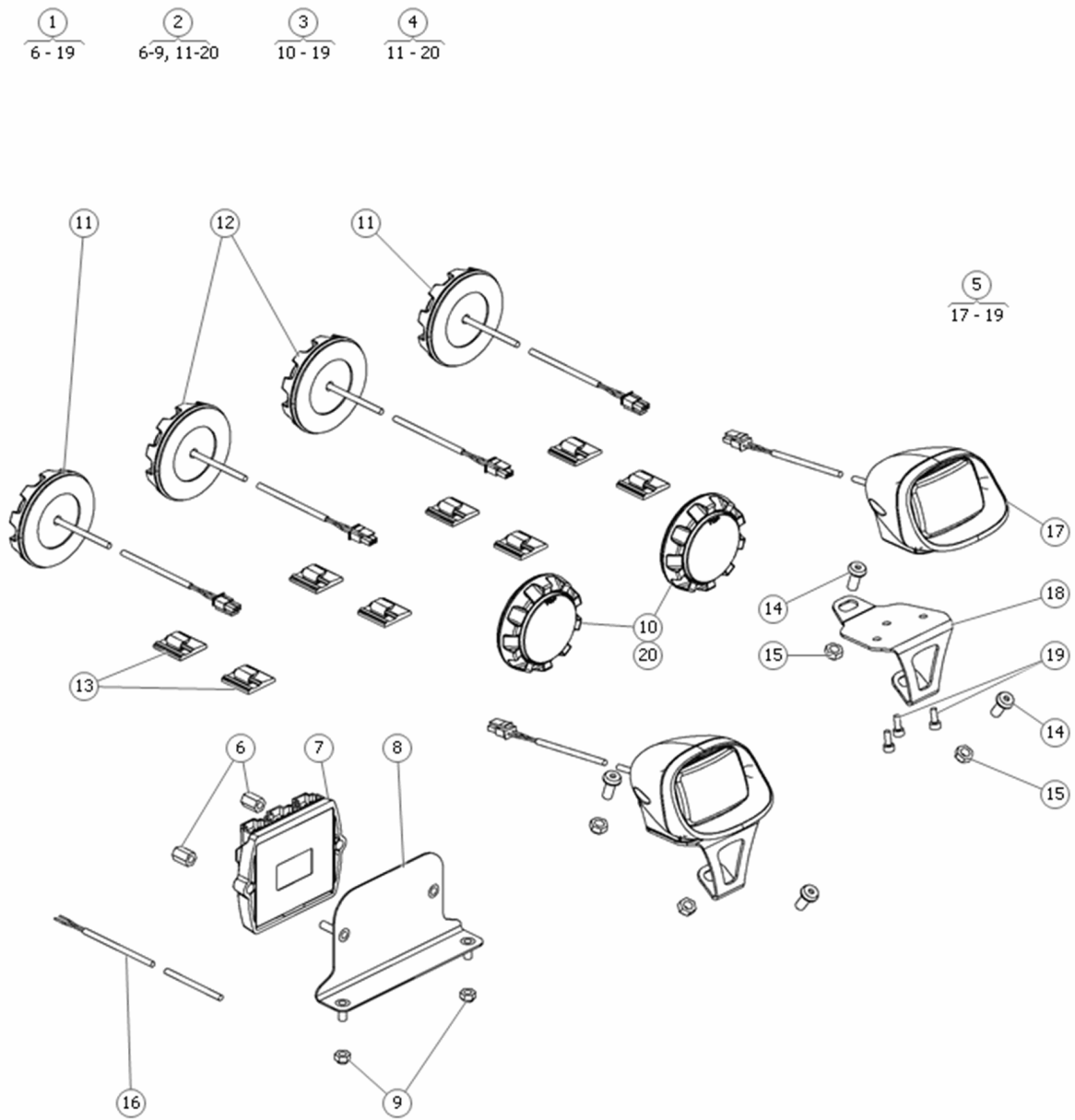
Pos	Qty	Stock Code	Description	Remark
1	1	320376	Console	
2	1	600743-99-0	Screw ISO 4762 M6x16 Fe/Zn	
3	1	600238-99-0	Washer ISO 7089 6,4x12x1,6 Fe/Zn	
4	1	612668	Rubber block Ø20x16 M6x18,5 TYPE D NBR 60SH	
5	1	320353	Spacer H=8,5 Ø20	
6	1	320298	Spacer H=92 Ø20 M6	
7	1	320294	Seat support std. with tilt	
8	1	320379	Seat support -5 with tilt	
9	1	320299	Seat support std. no tilt	
10	1	1827158	Seat support -5 no tilt	



Pos	Qty	Stock Code	Description	Remark
1	1	000000	NOTAVAILABLE	
1	1	1820492	COVER FRONT SILVER/BLACK MET	Carbon Silver (no safety device)
1	1	313867	COVER FRONT INCL. DECAL AND REFL.	(no safety device)
2	1	1820314	REFLECTOR FRONT Ø40 White	
3	1	1824097	SAFETY DEVICE	WHEN TILT IS MOUNTED
4	1	000000	NOTAVAILABLE	
4	1	1821297	DECAL WARNING RADIO WAVES USA	Set incl all stickers for cover mount
5	1	000000	NOTAVAILABLE	
5	1	1821297	Decal battery & fuse	Set incl all stickers for cover mount- #19 shows cont...
6	2	1821057	REFLECTOR REAR Ø40 RED	
7	1	313864	Plate	
8	2	600754-99-0	BOLT K6S 5x25 fzb *	
9	2	612809	Spacer 5,3x10x30	
10	2	600226-99-0	LOCK NUT M5 FZB *	
11	1	1821297	Decal "PERMOBIL"	Set incl all stickers for cover mount
11	1	306200-99-0	STICKER "PERMOBIL"	THIS ITEM IS ALSO INCLUDED IN THE COMPLET...
12	6	612482	Velcro 12,7mm adhesive	
13	1	000000	NOTAVAILABLE	
13	1	1821297	Decal "C300"	Set incl all stickers for cover mount- #19 contains all...
14	1	000000	NOTAVAILABLE	
14	1	1821297	Decal brake release	Set incl all stickers for cover mount- #19 contains all...
15	1	1821297	Decal tilt warning	Set incl all stickers for cover mount
15	1	313891-99-0	DECAL SEAT TILT WARNING	THIS ITEM IS ALSO INCLUDED IN THE COMPLET...
16	2	1821249	Lock handle M5x20	
17	1	000000	NOTAVAILABLE	
17	1	1820487	COVER SILVER/BLACK MET EXCL LIGHTS C300	Carbon Silver
17	1	316857	CENTER COVER FRONT INCL. DECAL	
18	1	000000	NOTAVAILABLE	
18	1	1820482	Rear cover incl. decal and refl.	Carbon Silver
18	1	316865	Rear cover incl. decal and refl.	
19	1	1821297	Decal Set	Set incl all stickers for cover mount
19	1	1821297	DECAL SET	SET INCLUDES THE FOLLOWING DECALS: WAR...
20	1	1824190	C300 Shroud Complete - Vintage Wine	
20	1	1824192	C300 Shroud Complete - Crystal Blue	
20	1	1824193	C300 Shroud Complete - Metallic Charcoal Gray	
20	1	1824194	C300 Shroud Complete - Green Metallic	
20	1	1825062	COVERSET INCL REFL K300 TITAN BLUE	Incl. sticker 'K300'
20	1	1825206	C300 SHROUD COMPLETE- PLATINUM SILVER	
20	1	1826427	COVERSET INCL REFL C300 CHILI PEPPER RED	
20	1	1828064	COVER KIT POPSTAR PINK C300/K300	Incl. brake release



Pos	Qty	Stock Code	Description	Remark
1	1	1828060	Cover Kit Black onyx C300/K300	Including brake release arm
1	1	1828061	COVER KIT COBALT BLUE C300/K300	Including brake release arm
1	1	1828062	COVER KIT DEEP PURPLE C300/K300	Including brake release arm
1	1	1828063	COVER KIT PHANTOM GRAY C300/K300	Including brake release arm
1	1	1828064	COVER KIT POPSTAR PINK C300/K300	Including brake release arm
1	1	1828065	COVER KIT VOLCANO RED C300/K300	Including brake release arm
2	1	1827976	COVER CENTER C300 COBALT BLUE	
2	1	1827977	COVER CENTER C300 DEEP PURPLE	
2	1	1827978	Center cover C300 Black onyx	
2	1	1827979	COVER CENTER C300 PHANTOM GRAY	
2	1	1827980	COVER CENTER C300 POPSTAR PINK	
2	1	1827981	COVER CENTER C300 VOLCANO RED	
3	2	612482	Velcro 12,7mm adhesive	
4	1	1821297	Decal Kit incl. Decal brake release	
4	1	313858-99-0	Decal brake release	
5	1	1821297	Decal Kit incl. Sticker, tilt warning	
5	1	313891-99-0	Sticker, tilt warning	
6	1	1821297	Decal Kit incl. Sticker, battery & fuse	
6	1	321091	Sticker, battery & fuse	
7	1	1821297	Decal Kit incl. Sticker, "C300"	
7	2	1828887	Sticker, 'K300'	
7	1	313856-99-0	STICKER COVER C300	
8	1	1821249	Lock handle M5x20	
9	1	320801	Reflector kit	
10	1	1827982	Front cover	
11	1	1821297	Decal Kit incl. Sticker, warning radio waves	
11	1	316601	Decal Warning radio waves	
12	1	1821297	Decal Kit incl. Sticker, battery & fuse	
12	1	321091	Sticker, battery & fuse	
13	1	1826962	Reflector White	
14	1	1826964	Reflector Red	
15	1	1821297	Decal Kit incl. Sticker "PERMOBIL"	
15	1	1822645	Sticker, 'PERMOBIL'	
15	1	1828133	Sticker, 'PERMOBIL'	
15	1	306200-99-0	Permobil decal, Oval	
16	1	1827998	Rear cover	
16	1	1827999	Rear cover	
17	1	1828000	Protect cover main fuse	
18	1	1828101	Cover lid kit	
19	1	1827982	Front cover	incl reflectors
20	1	1827998	Rear cover	incl reflectors
20	1	1827999	Rear cover	incl reflectors
21	1	1828060	C300 FL COVER KIT	
21	1	1828061	C300 COVER KIT COBALT BLUE	
21	1	1828062	C300 COVER KIT DEEP PURPLE	
21	1	1828063	C300 COVER KIT PHANTOM GRAY	
21	1	1828064	C300 COVER KIT POPSTAR PINK	
21	1	1828065	C300 COVER KIT VOLCANO RED	
22	1	322543	Sticker transportation	





Pos	Qty	Stock Code	Description	Remark
1	1	1827889	LIGHT KIT, FRONT REFLECTOR, VR2	
2	1	1828056	LIGHT KIT, FRONT REFL/TURN SIGNAL, VR2	
3	1	1827886	LIGHT KIT, FRONT REFLECTOR, R-net	
4	1	1828058	LIGHT KIT, FRONT REFL/TURN SIGNAL, R-net	
5	1	1827958	HEADLIGHT	
6	1	1827465	HEXAGON SPACER	
7	1	1822470	LIGHTING MODULE	
8	1	1827970	HOLDER	
9	1	600225-99-0	LOCK NUT M4 FZB *	
10	1	1826962	REFLECTOR	
11	1	1826966	REFL/REAR TURN SIGNAL RED	
12	1	1826965	REFLECTOR/REAR LIGHT RED	
13	1	602615-99-0	CABLE TIE HOLD. ACC19 A-C *	
14	1	601159-99-0	BOLT K6S 5x12 fzb *	
15	1	600226-99-0	LOCK NUT M5 FZB *	
16	1	1827957	CABLE	
17	1	1826961	LIGHT FRONT LED	
18	1	320927	BRACKET	
19	1	602690	HEXAGON SOCKET HEAD CAP SCREW	
20	1	1826963	REFL/TURN SIGNAL WHITE	

# Spare Parts Catalog

## CONTACT PERMOBIL:

**Permobil AB**

Box 120  
861 23 Timrå  
Sverige  
Tel: 060-59 59 00  
Fax: 060-57 52 50  
E-post: [info@permobil.se](mailto:info@permobil.se)

**Permobil Inc. USA**

300 Duke Drive  
Lebanon, TN 37090  
USA  
Phone: 800-736-0925  
Fax: 800-231-3256  
Email: [info@permobilusa.com](mailto:info@permobilusa.com)

**Permobil AS**

Industriveien 16  
Postboks 60  
1483 Hagan Norge  
Tlf. 815 30 077  
Fax. 815 33 655  
E-post: [firmapost@permobil.no](mailto:firmapost@permobil.no)

**Permobil Benelux BV**

De Beitel 11  
6466 GZ Kerkrade  
Nederland  
Tel: +31 (0)45 564 54 80  
Fax: +31 (0)45 564 54 81  
Email: [info@permobil.nl](mailto:info@permobil.nl)

When you order spare parts, the following must always be specified:

- The product model (for example, power wheelchair C300).
- The description of the part.  
- always use the description used in this catalog.
- The entire part number.
- The quantity.

**NB!** In some cases, parts appear in the spare part catalog without a part number. This means that the part cannot be ordered from Permobil. We have, however, chosen to describe it for your information. Standard components such as screws, nuts, washers and similar parts can be purchased in an ordinary shop using the information in this catalog.

## Description of Positioning list

The positioning list consist of:

**A** = Indicates the sparepart-group covered by the catalog.

**B** = Indicates part of the sparepart-group.

**C** = Under C there are five columns:

- 1 = Pos.no: Position number
- 2 = Pcs: Total number of given pos-no.
- 3 = Part no.: Part number
- 4 = Description: Article name
- 5 = Remark: Reserved for additional information such as reservations, restrictions etc.



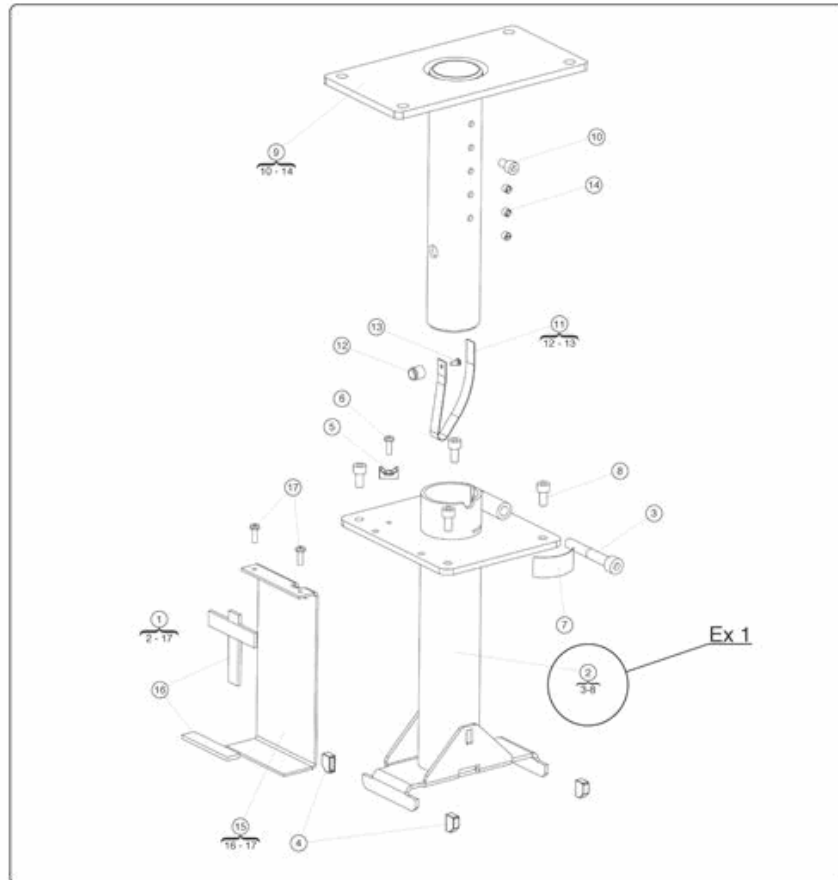
1	2	3	4	5
Pos no.	Pcs	Part no.	Description	Benämning
1	1	1820446	Seat Tube	Sitsrör fast
1	1	1820418	Seat Tube for tilt	Sitsrör fast för sitslutning
<b>2</b>	<b>1</b>		<b>Outer tube</b>	<b>Ytterrör</b>
3	1		Screw ISO 4762 M8x55 fzb	Skruv ISO 4762 M8x55 fzb
<b>4</b>	<b>4</b>	<b>1820421</b>	<b>Cap</b>	<b>Hätta</b>
5	1		Cable Tie Holder 10x15	Buntbandsfäste 10x15
6	1		Screw ISO 7380 M4x6 fzb	Skruv ISO 7380 M4x6 fzb
7	1		Nut DIN 985 M4 fzb	Mutter DIN 985 M4 fzb
8	4		Screw ISO 4762 M6x10 fzb	Skruv ISO 4762 M6x10 fzb
9	1	1820422	Inner tube	Innerrör
9	1	1820419	Inner tube for tilt	Innerrör för tilt
10	1		Screw ISO 4762 M6x10 fzb	Skruv ISO 4762 M6x10 fzb
11	1		Bracket	Fjäder
12	1		Stop	Stång
13	1		Screw ISO 7380 M3x6 fzb	Skruv ISO 7380 M3x6 fzb
14	1		SLS Bracket	SLS fäste
				Remark/Anm.

**Part**

A part consists of one or more parts. If a part consists of several parts, a bracket in connection with the part's item bubble is used to show the parts included in the part in the exploded views. See example 1.

**Quantity**

The quantity specified in front of a part is the total quantity for the entire product.

**Example 1:**

The fixed seat tube, pos 2, includes pos 3 to 8, that are indicated in the bracket below (see above).

**Example 2:**

If a outer tube, pos 2, is ordered, the quantity is 1. In other words, there is just one outer tube on the chassis. However, if you look at the number of parts included, the quantity may vary. For example, in pos 4, the complete outer tube comprises 4 parts.

## Notes

---

A series of horizontal dashed lines for writing notes.

## Notes

---

A series of horizontal dashed lines for writing notes.

## Notes

---

A series of horizontal dashed lines for writing notes.







Order no: 201245-SE-0