

SPARE PART CATALOG

C350

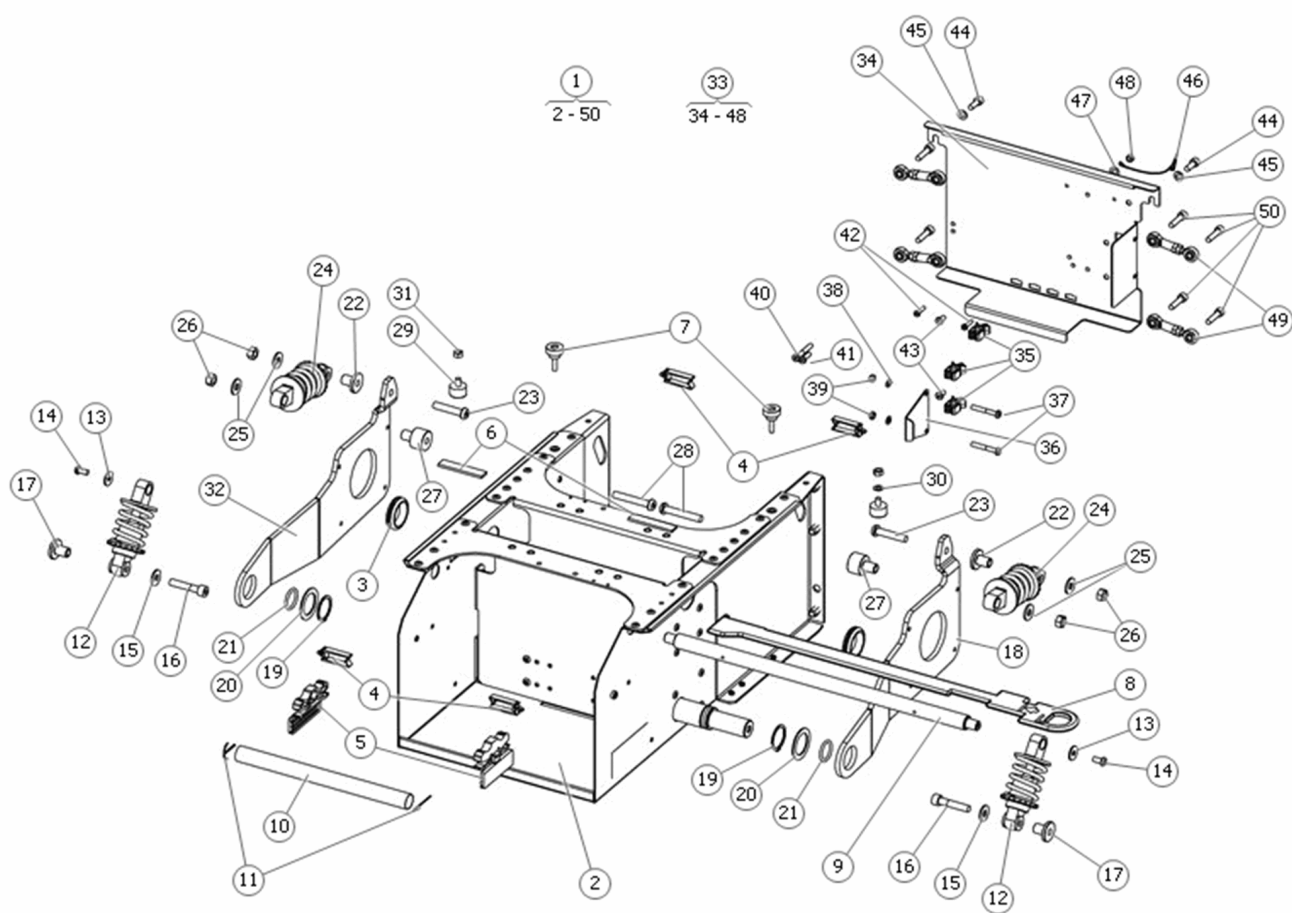
Permobil power wheelchair



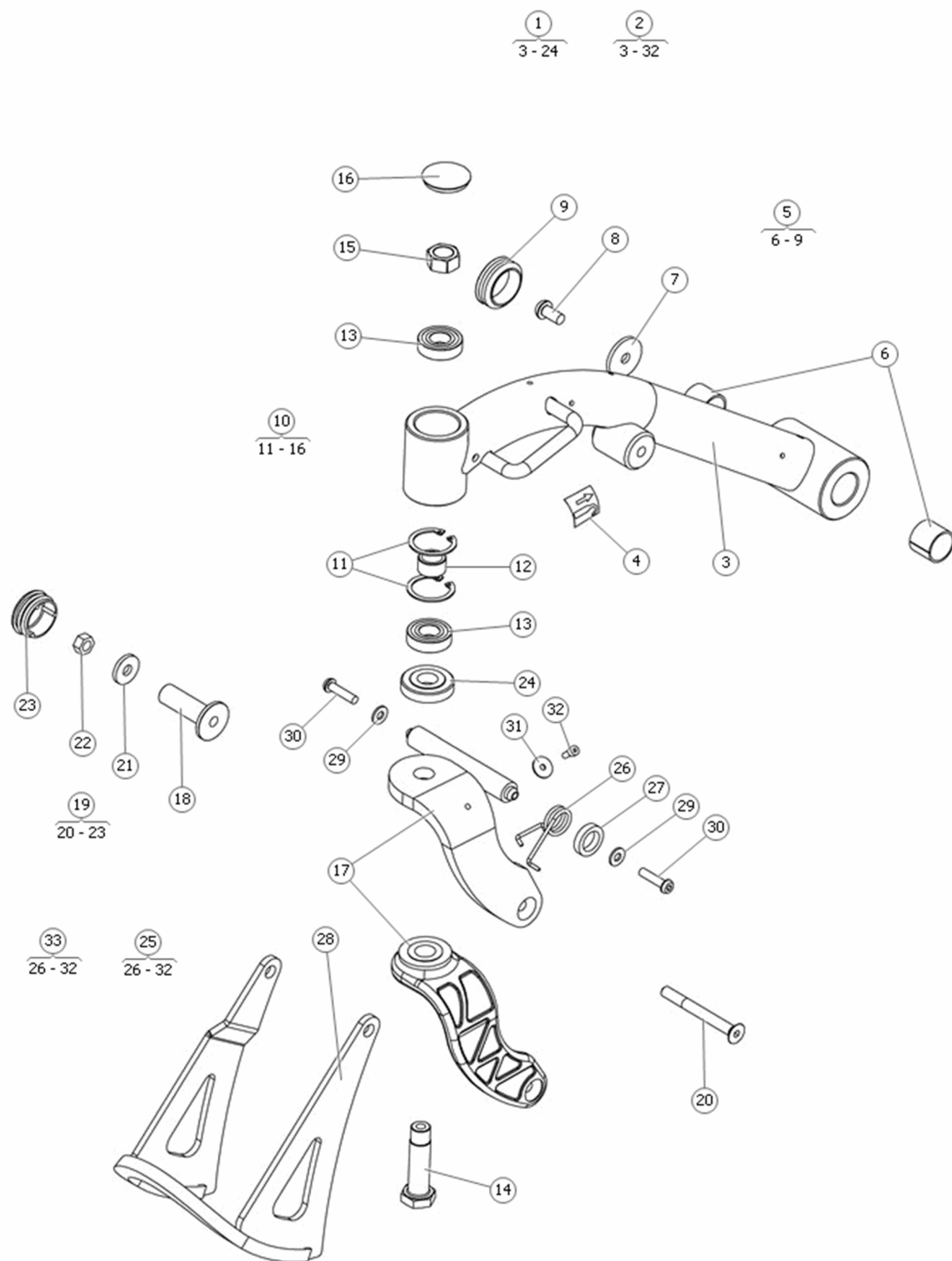
Contents

| |
|------------------------------------|
| Chassis..... |
| Front wheel suspension..... |
| Driving unit..... |
| Wheels..... |
| Electronics VR2..... |
| Electronics R-net..... |
| Seat tube..... |
| Seat elevator..... |
| Seat elevator with 21 splines..... |
| Seat adapters..... |
| Seat tilt..... |
| Covers..... |
| Lights..... |
| Ordering information..... |
| Contact information..... |

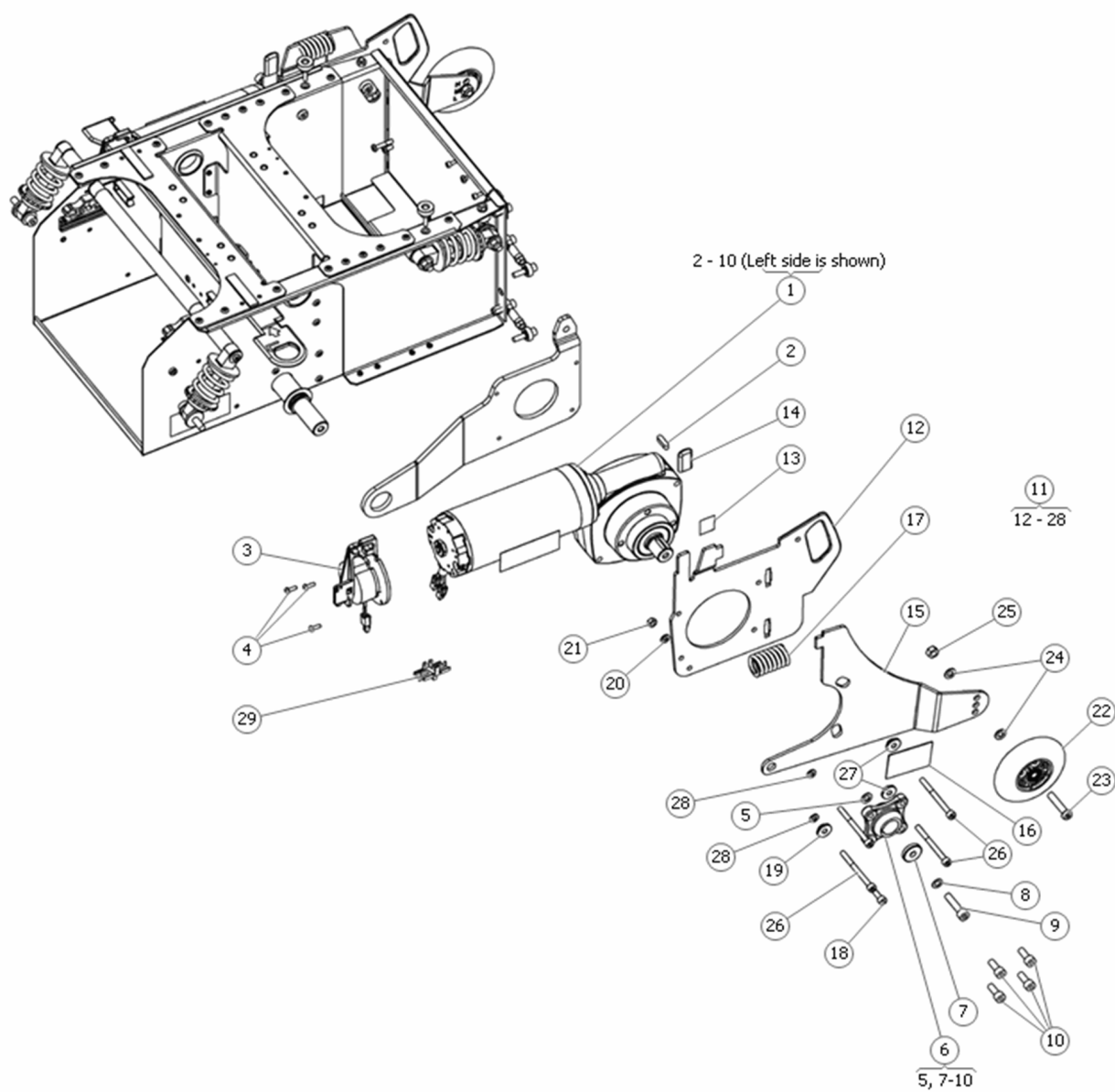
Produced and published by Permobil AB, Sweden
Edition no. 3, 2014-06
PAB: 1252-1



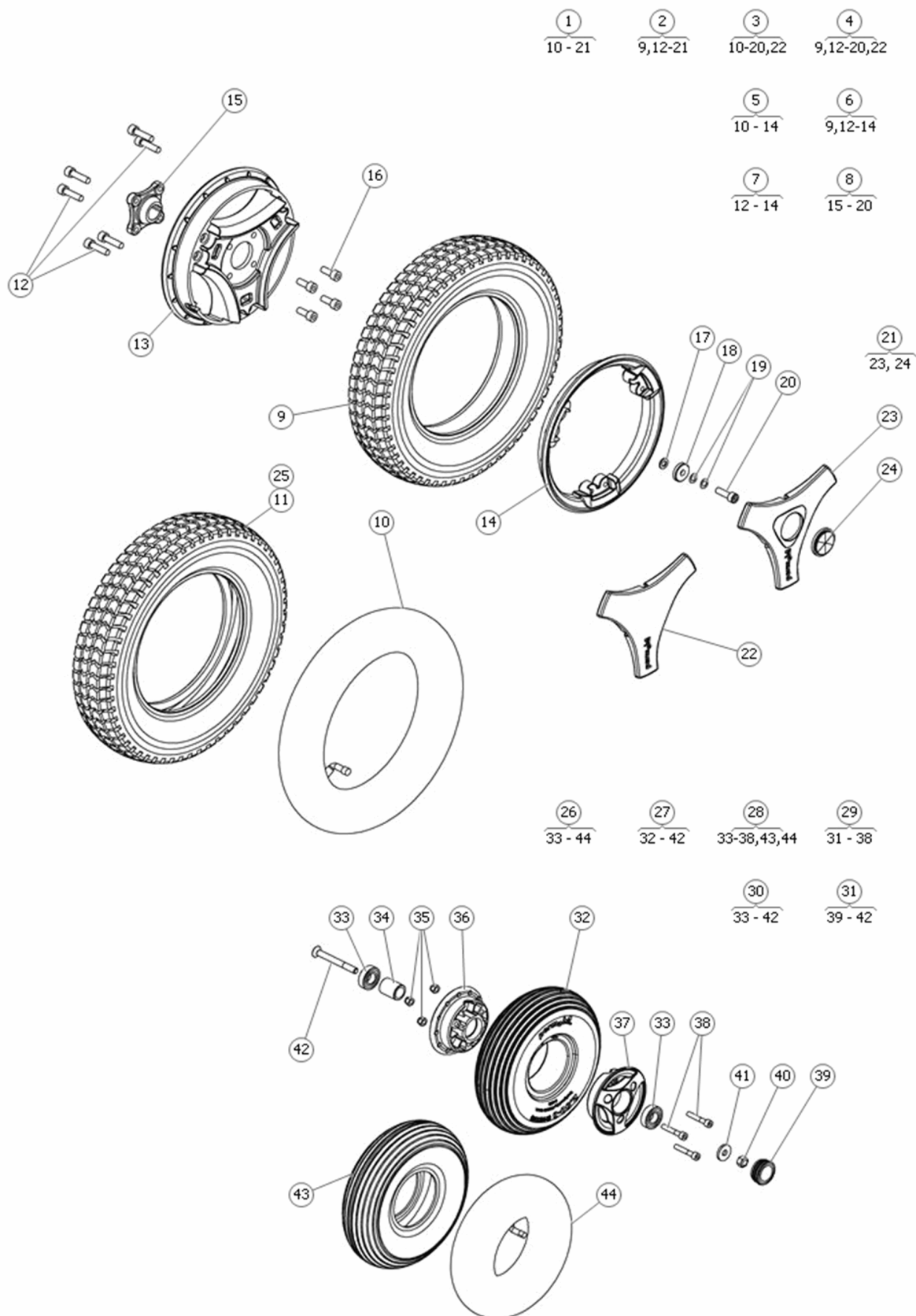
| Pos | Qty | Stock Code | Description | Remark |
|-----|-----|-------------|---|--------|
| 1 | 1 | 316195 | CHASSIE BOX C350 COMPLETE | |
| 2 | 1 | 1825244 | CHASSIE BOX C350 | |
| 3 | 2 | 612370 | GROMMET 30/35/40-2 | |
| 4 | 4 | 612759 | VERTICAL ENTRY WIRE SADDLE | |
| 5 | 2 | 1824230 | HOLDER BATTERY | |
| 6 | 2 | 612481 | VELCRO 25,4mm ADHESIVE L=70 | |
| 7 | 2 | 1821249 | LOCK HANDLE M5x20 | |
| 8 | 1 | 1823242 | BRAKE RELEASE ARM | |
| 9 | 1 | 313624 | SHAFT SHOCK ABSORBER | |
| 10 | 1 | 612796 | PVC TUBE Ø20x0,7 PVC 105° BLACK | |
| 11 | 1 | 612827-99-0 | COTTER PIN 3,2x32 DIN94 ISO 1234 | |
| 12 | 2 | 1820451 | SHOCK ABSORBER 100mm 550LBS/IN | |
| 13 | 2 | 612675-99-0 | WASHER, ISO 7093-1 6,4x18x1,6 fzb | |
| 14 | 2 | 601422-99-0 | BOLT K6S 6x12 fzb * | |
| 15 | 2 | 602171 | WASHER BN 737 8 140 HB Fe/Zn 5 C1 (8,4x20x2) | |
| 16 | 2 | 613378-99-0 | SCREW ISO 4762 M8x40 8.8 Fe/Zn 5 C1 / LOCKING COAT DIN 267... | |
| 17 | 2 | 316294 | SPACER SUSPENSION | |
| 18 | 1 | 316221 | SWING ARM LEFT REAR | |
| 19 | 2 | 613253 | CIRCLIP DIN 471 Ø28 | |
| 20 | 2 | 613252 | SHIM WASHER DIN 988 28 Fe/Zn 12 C1 (DB 28x40x1,5) | |
| 21 | 1 | 1820404 | RUBBER RING Ø24,2x3 EPDM | |
| 22 | 2 | 316294 | SPACER SUSPENSION | |
| 23 | 2 | 613114 | SCREW ISO 7380 M8x40 10.9 Fe/Zn 5 C1 | |
| 24 | 2 | 1820451 | SHOCK ABSORBER 100mm 550LBS/IN | |
| 25 | 4 | 602171 | WASHER BN 737 8 140 HB Fe/Zn 5 C1 (8,4x20x2) | |
| 26 | 4 | 600228-99-0 | LOCK NUT M8 FZB * | |
| 27 | 2 | 316260 | SPACER SUSPENSION | |
| 28 | 2 | 602631-99-0 | BOLT K6S 8*50 fzb ISO7380 * | |
| 29 | 2 | 602639-99-0 | RUBBER BLOCK MN60 M6*10 3018055 | |
| 30 | 1 | 612800 | WASHER DIN 137B 6 Fe/Zn 5 C1 (KBB 6,4x12x0,5) | |
| 31 | 2 | 600232-99-0 | NUT M6M 6 fzb * | |
| 32 | 1 | 316222 | SWING ARM RIGHT REAR | |
| 33 | 1 | 316358 | BRACKET ELECTRONIC | |
| 34 | 1 | 316357 | BRACKET PLATE ELECTRONICS | |
| 35 | 1 | 602510-00-0 | CABLE HOLD HCMP06 B12-20 * | |
| 36 | 1 | 309307 | BRACKET PLATE FUSE | |
| 37 | 2 | 612979 | SCREW ISO 7380 M5x35 10.9 Fe/Zn 5 C1 | |
| 38 | 2 | 600237-99-0 | WASH BRB 5.3x10x 1 fzb * | |
| 39 | 2 | 600226-99-0 | LOCK NUT M5 FZB * | |
| 40 | 2 | 612979 | SCREW ISO 7380 M5x35 10.9 Fe/Zn 5 C1 | |
| 41 | 2 | 601170-99-0 | BOLT K6S 5x16 fzb * | |
| 42 | 2 | 601705 | SCREW ISO 7380 M4x16 10.9 Fe/Zn 5 C1 | |
| 43 | 2 | 601353-99-0 | BOLT K6S 5x10 fzb * | |
| 44 | 2 | 600743-99-0 | BOLT MC6S 6x16 fzb * | |
| 45 | 2 | 600238-99-0 | WASH BRB ISO 7089 6.4x12x1.6 fzb STD | |
| 46 | 1 | 317048 | WIRE ELECTRONIC | |
| 47 | 1 | 612800 | WASHER DIN 137B 6 Fe/Zn 5 C1 (KBB 6,4x12x0,5) | |
| 48 | 1 | 600614-99-0 | NUT M6M 5 fzb * | |
| 49 | 4 | 1825288 | LINK SLEWING BRACKET | |
| 50 | 8 | 600195-99-0 | BOLT MC6S 6x25 fzb * | |



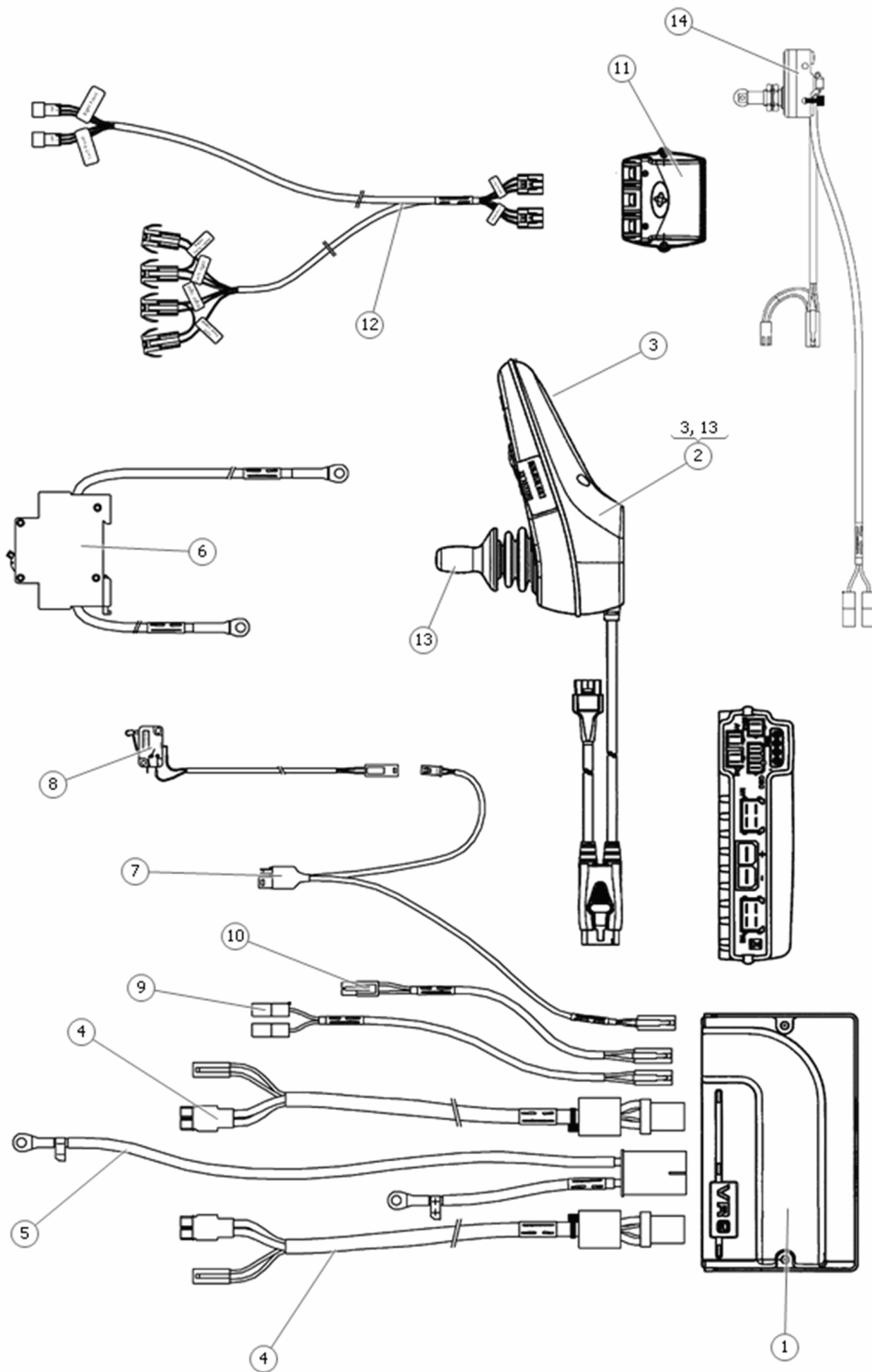
| Pos | Qty | Stock Code | Description | Remark |
|-----|-----|-------------|--|---------------|
| 1 | 1 | | SWINGARM LEFT-COMPLETE | |
| 1 | 1 | | SWINGARM RIGHT-COMPLETE | |
| 2 | 1 | 316947 | SWING ARM with CLIMBER UNIT RIGHT - COMPLETE | |
| 2 | 1 | 316971 | SWING ARM with CLIMBER UNIT LEFT - COMPLETE | |
| 3 | 1 | 1822410 | SWING ARM LEFT | |
| 3 | 1 | 1822411 | SWING ARM RIGHT | |
| 4 | 1 | 312872-99-2 | DECAL HOOKBRACKET * | |
| 5 | 1 | 1822420 | SLIDE BEARING KIT | |
| 6 | 1 | 612745-99-0 | SLIDE BEARING 22/25x20 SBT | |
| 7 | 1 | 316714-99-0 | WASHER 32x8.1x3 | |
| 8 | 1 | 612797 | SCREW ISO 7380 M8x16 10.9 Fe/Zn | |
| 9 | 1 | 600756 | PLASTIC PLUG Ø38x12 (Ø32-36) | |
| 10 | 1 | 1822419 | BEARING KIT WHEELFORK | |
| 11 | 2 | 600751-99-0 | CIRCLIP SGH 32 * | |
| 12 | 1 | 312497 | SPACER | |
| 13 | 2 | 600752-99-0 | BALL BEAR 6002-2RS1 * | |
| 14 | 1 | 1820457 | SCREW | |
| 15 | 1 | 1822626 | NUT M14x1.5 Fe/Zn DIN 934 | Set of 30 pcs |
| 15 | 1 | 612734 | NUT DIN 934 M14x1.5 Fe/Zn | |
| 16 | 1 | 311314-99-0 | PL PLUG REAR WHEEL CH2K | |
| 17 | 1 | 1820455 | WHEEL FORK LEFT | Flat metal |
| 17 | 1 | 1822413 | WHEEL FORK LEFT (with pattern) | With pattern |
| 17 | 1 | 1822414 | WHEELFORK RIGHT | With pattern |
| 17 | 1 | 316963 | WHEEL FORK LEFT CLIMBER | |
| 17 | 1 | 316964 | WHEELFORK RIGHT CLIMBER | |
| 18 | 1 | 1820458 | SOCKET | |
| 19 | 1 | 1822417 | WHEEL BOLT KIT | |
| 20 | 1 | 1821264 | SCREW ISO 10642 M8x75 10.9 Fe/Zn | |
| 21 | 1 | 305390-99-0 | WASH 8.5x23x3 fzb * | |
| 22 | 1 | 600228-99-0 | LOCK NUT M8 FZB * | |
| 23 | 1 | 1823146 | PLASTIC PLUG | |
| 24 | 1 | 1820454 | SPACER | |
| 24 | 1 | 313535 | SPACER | |
| 25 | 1 | 316965 | CLIMBER LEFT | |
| 25 | 1 | 316969 | CLIMBER RIGHT | |
| 26 | 1 | 1825340 | CLIMBER SPRING LEFT | |
| 26 | 1 | 1825341 | CLIMBER SPRING RIGHT | |
| 27 | 1 | 317097 | SPACER | |
| 28 | 1 | 316959 | CLIMBER LEFT | |
| 28 | 1 | 316961 | CLIMBER RIGHT | |
| 29 | 2 | 601364-99-0 | WASH BRB 6.4x14x1.5 fzb * | |
| 30 | 1 | 602367 | SCREW ISO 7380 M6x25 10.9 Fe/Zn | |
| 30 | 1 | 602367-99-0 | SCREW ISO 7380 M6x25 10.9 Fe/Zn | |
| 31 | 1 | 612857-99-0 | WASHER ISO 7093-1 5.3x15x1 Fe/Zn | |
| 32 | 1 | 600189-99-0 | BOLT MC6S 5x10 fzb * | |
| 33 | 1 | 1823084 | Climber Kit | |



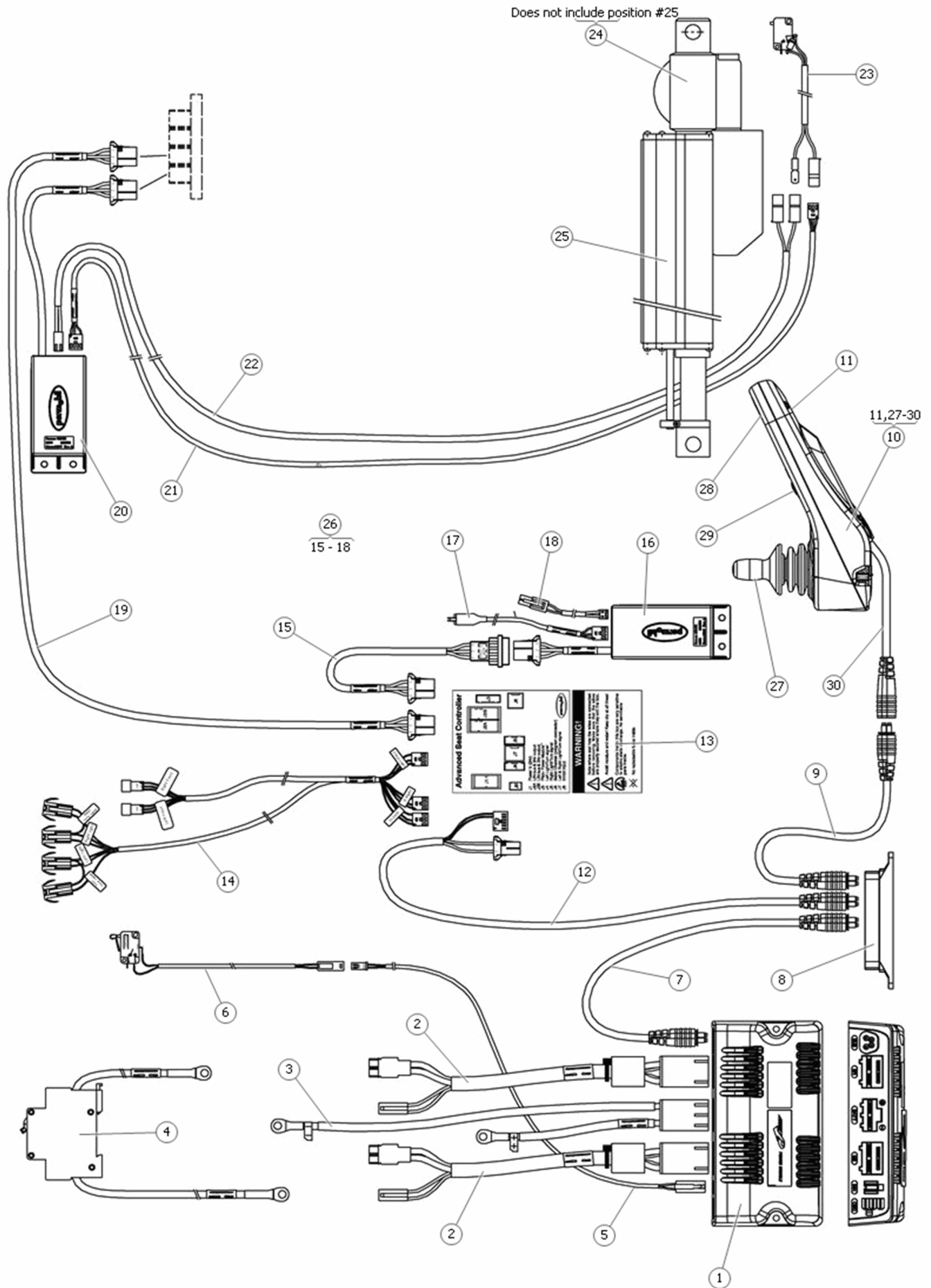
| Pos | Qty | Stock Code | Description | Remark |
|-----|-----|-------------|---|---|
| 1 | 1 | 1822421 | DRIVING UNIT RIGHT VR2 7,5km CIM | |
| 1 | 1 | 1822422 | DRIVING UNIT LEFT VR2 7,5km CIM | |
| 1 | 1 | 1822423 | DRIVING UNIT RIGHT R-net 10km CIM | |
| 1 | 1 | 1822424 | DRIVING UNIT LEFT R-net 10km CIM | |
| 1 | 1 | 1827170 | Driving Unit Right R-net 10km LINIX | From SN 2532000300 --> |
| 1 | 1 | 1827171 | Driving Unit Left R-net 10km LINIX | From SN 2532000300 --> |
| 1 | 1 | NOTE! | Use 1.3 & 1.4 with Chassis SN 2532000299 or lower | |
| 1 | 1 | NOTE! | Use 1822421/1822422 with Chassis SN 25xxxxxxx | |
| 2 | 1 | 1820306 | Wheel Bolt Kit - C Series Chairs | INCLUDES 600855, pos 2 |
| 2 | 1 | 600855-99-0 | KEY 6X6X22 DRIVE SHAFT | |
| 3 | 1 | 1827174 | BRAKE | COMPATIBLE WITH NEW AND OLD DRIVE UNITS |
| 4 | 3 | 1823551 | SCREW ISO 14583 M4x12 Fe/Zn | |
| 5 | 1 | 1821250 | WASHER 8 PA6 (8,4x15x1,5 type F) | |
| 6 | 1 | 1822435 | HUB Ø22x28,5 | |
| 7 | 1 | 612513-99-0 | WASH TBRSB 8.4x26x5 fzb * | |
| 8 | 2 | 612531-99-0 | SPACER DB 8x14x0,5 DIN 988 A2 | |
| 9 | 1 | 1821251 | SCREW ISO 4762 M8x35 Fe/Zn | |
| 10 | 4 | 600203-99-0 | BOLT MC6S 8x 20 fzb * | |
| 11 | 1 | 1825148 | SUPPORT WHEEL KIT v.2 C300/C350 | Left and right. |
| 11 | 1 | 1825156 | SUPPORT WHEEL UNIT RIGHT | |
| 11 | 1 | 1825157 | SUPPORT WHEEL UNIT LEFT | |
| 12 | 1 | 316359 | BRACKET GEARBOX, C350 Right; C300 Left | |
| 12 | 1 | 316360 | BRACKET GEARBOX, C350 Left; C300 Right | |
| 13 | 1 | 1820459 | STICKERS | |
| 14 | 1 | 601823-00-0 | PLAST KNOB RECT 4x16x30 LEVER BRAKE RELEASE | |
| 15 | 1 | 316500 | PLATE, C350 Left; C300 Right | |
| 15 | 1 | 316501 | PLATE, C350 Right; C300 Left | |
| 16 | 1 | 312601 | STICKER RIGHT | |
| 16 | 1 | 312602 | STICKER LEFT | |
| 17 | 1 | 613254 | SPRING TF 4,5x20x45 | |
| 18 | 1 | 600194-99-0 | BOLT MC6S 6x20 fzb * | |
| 19 | 1 | 313571 | SPACER | |
| 20 | 1 | 600238-99-0 | WASH BRB ISO 7089 6.4x12x1.6 fzb STD | |
| 21 | 1 | 600227-99-0 | LOCK NUT M6 FZB * | |
| 22 | 2 | 1822017 | WHEEL Ø100x24 | |
| 23 | 1 | 613114 | SCREW ISO 7380 M8x40 Fe/Zn | |
| 24 | 2 | 601427-99-0 | WASH BRB 8.4x15x1.6 fzb DIN 433 | |
| 25 | 1 | 600228-99-0 | LOCK NUT M8 FZB * | |
| 26 | 4 | 600768-99-0 | SCREW ISO 4762 M6x70 Fe/Zn | |
| 27 | 2 | 313571 | SPACER | |
| 28 | 2 | 600238-99-0 | WASH BRB ISO 7089 6.4x12x1.6 fzb STD | |
| 29 | 1 | 1826243 | HOLDER CONNECTOR ANDERSON/JST | |



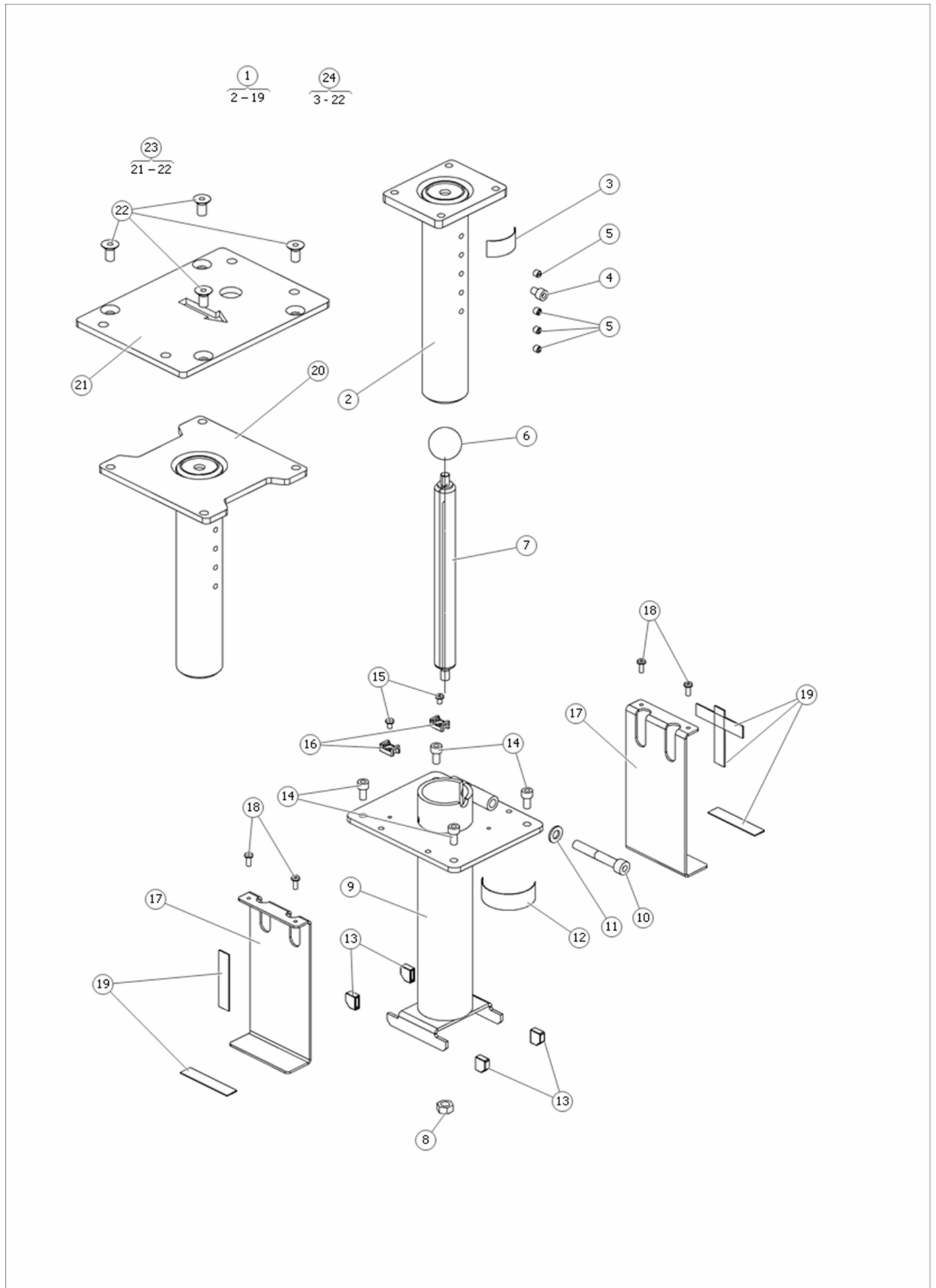
| Pos | Qty | Stock Code | Description | Remark |
|-----|-----|-------------|---|---------------------------|
| 1 | 1 | 1822972 | WHEEL 3.00x8 AIR EU 3-SPOKE INCL. HUB | Silver colored hub cap. |
| 2 | 1 | 1824096 | WHEEL 3.00x8" INCL. HUB/COVER SOLID | Silver colored hub cap. |
| 3 | 1 | 1822973 | WHEEL 3.00x8 AIR US ALU SPLIT 3-SPOKE INCL. HUB | Silver colored hub cap. |
| 4 | 1 | 1822978 | WHEEL 3.00x8 US SOLID ALU SPLIT 3-SPOKE INCL. HUB | Silver colored hub cap. |
| 5 | 1 | 1822971 | WHEEL 3.00" x 8" AIR | |
| 5 | 1 | 1825153 | WHEEL MUD AND SNOW 3.00" x 8" | DEEPER TREAD THAN 1822971 |
| 6 | 1 | 1822977 | WHEEL 3.00" x 8" SOLID | |
| 7 | 1 | 1822232 | RIM 1.50x8" 3-SPOKE | |
| 8 | 1 | 1822435 | HUB KIT | |
| 9 | 1 | 1822361 | TIRE 3.00" x 8" | |
| 10 | 1 | 600770-99-0 | TUBE 3.00- 8 FRONT M90,T CH CHHD CHP+ CH2k | |
| 11 | 1 | 1824843 | TIRE 3.00" x 8" | |
| 11 | 1 | 1825108 | TIRE MUD AND SNOW 3.00" x 8" | DEEPER TREAD THAN 1824843 |
| 12 | 1 | 600880-99-0 | BOLT MC6S 8x 30 fzb * | |
| 12 | 1 | 601075-99-0 | BOLT ESLOK 8x30 fzb | |
| 13 | 1 | 316130 | RIM INNER | |
| 14 | 1 | 316131 | RIM OUTER | |
| 15 | 1 | 316597 | HUB | |
| 16 | 1 | 600203-99-0 | BOLT MC6S 8x 20 fzb * | |
| 17 | 1 | 1821250 | WASHER 8,4x15x1,5 | |
| 18 | 1 | 612513-99-0 | WASH 8.4x23x5 HB 305 YELLOW | |
| 19 | 1 | 612531-99-0 | SPACER DB 8x14x0,5 DIN 988 A2 | |
| 20 | 1 | 612512-99-0 | BOLT ISO 4762 M8x25 * | |
| 21 | 1 | 1822231 | HUB CAP BLACK ONYX, REFLECTOR | |
| 21 | 1 | 1822263 | HUB CAP RED, REFLECTOR | |
| 21 | 1 | 1822264 | HUB CAP BLUE, REFLECTOR | |
| 21 | 1 | 1822265 | HUB CAP BLACK MET, REFLECTOR | |
| 21 | 1 | 1822266 | HUB CAP SILVER, REFLECTOR | |
| 21 | 1 | 1822267 | HUB CAP YELLOW, REFLECTOR | |
| 21 | 1 | 1823036 | HUB CAP GREEN METALLIC, REFLECTOR | |
| 21 | 1 | 1823037 | HUB CAP PINK, REFLECTOR | |
| 21 | 1 | 1823038 | HUB CAP TITAN BLUE, REFLECTOR | |
| 21 | 1 | 1827959 | HUB CAP COBALT BLUE, REFLECTOR | |
| 21 | 1 | 1827961 | HUB CAP DEEP PURPLE, REFLECTOR | |
| 21 | 1 | 1827962 | HUB CAP PHANTOM GRAY, REFLECTOR | |
| 21 | 1 | 1827963 | HUB CAP VOLCANO RED, REFLECTOR | |
| 21 | 1 | 316272 | HUB CAP | |
| 22 | 2 | 1825345 | TRI-SPOKE HUB CAP- VINTAGE WINE | Pair |
| 22 | 2 | 1825346 | TRI-SPOKE HUB CAPS- CRYSTAL BLUE | Pair |
| 22 | 2 | 1825347 | TRI-SPOKE HUB CAPS- BLACK ONYX | Pair |
| 22 | 2 | 1825348 | TRI-SPOKE HUB CAPS- PLATINUM SILVER | Pair |
| 22 | 2 | 1825349 | TRI-SPOKE HUB CAPS- EXTREME YELLOW | Pair |
| 22 | 2 | 1825350 | TRI-SPOKE HUB CAPS- CHILI PEPPER RED | Pair |
| 22 | 2 | 1825351 | TRI-SPOKE HUB CAPS- TITAN BLUE | Pair |
| 22 | 2 | 1825352 | TRI-SPOKE HUB CAPS-METALLIC GRAY | Pair |
| 22 | 2 | 1825353 | TRI-SPOKE HUB CAPS- METALLIC GREEN | Pair |
| 22 | 2 | 1825354 | TRI-SOPKE HUB CAPS- POPSTAR PINK | Pair |
| 22 | 1 | 316132 | HUB CAP, without reflector | |
| 23 | 1 | 316269 | HUB CAP PLASTIC | |
| 24 | 1 | 1820324 | REFLECTOR | |
| 25 | 1 | 1825108 | TIRE 3.00- 8 DEEP TREAD | |
| 26 | 1 | 1824218 | WHEEL 210x65 AIR 3-SPOKE | |
| 27 | 1 | 1822415 | WHEEL 210x65 SOLID 3-SPOKE | |
| 28 | 1 | 317447-99-0 | WHEEL 210x65 AIR 3-SPOKE | |
| 29 | 1 | 316231 | WHEEL 210x65 SOLID 3-SPOKE | |
| 30 | 1 | 1822416 | RIM 210x65 3-SPOKE | |
| 31 | 1 | 1822417 | WHEEL BOLT KIT 3-SPOKE RIM 210X65 | |
| 32 | 1 | 612397-08-0 | TIRE 210x65 REAR SOLID | |
| 33 | 1 | 600752-99-0 | BALL BEAR 6002-2RS1 * | |
| 34 | 1 | 316386 | SPACER | |
| 35 | 1 | 1821261 | Nut DIN 982 M6 fzb | |
| 36 | 1 | 316156 | RIM INNER 210x65 | |
| 37 | 1 | 316155 | RIM OUTER 210x65 | |
| 38 | 1 | 601333-99-0 | BOLT MC6S 6x35 fzb | |
| 39 | 1 | 1823146 | PLASTIC PLUG | |
| 40 | 1 | 600228-99-0 | LOCK NUT M8 FZB * | |
| 41 | 1 | 305390-99-0 | WASH 8.5x23x3 fzb * | |
| 42 | 1 | 1821264 | SCREW ISO 10642 M8x75 Fe/Zn | |
| 43 | 1 | 602569-08-0 | TIRE 210x65 REAR AIR FILLED CH2k | |
| 44 | 1 | 602568-99-0 | TUBE 210x65 REAR CH2k * | |



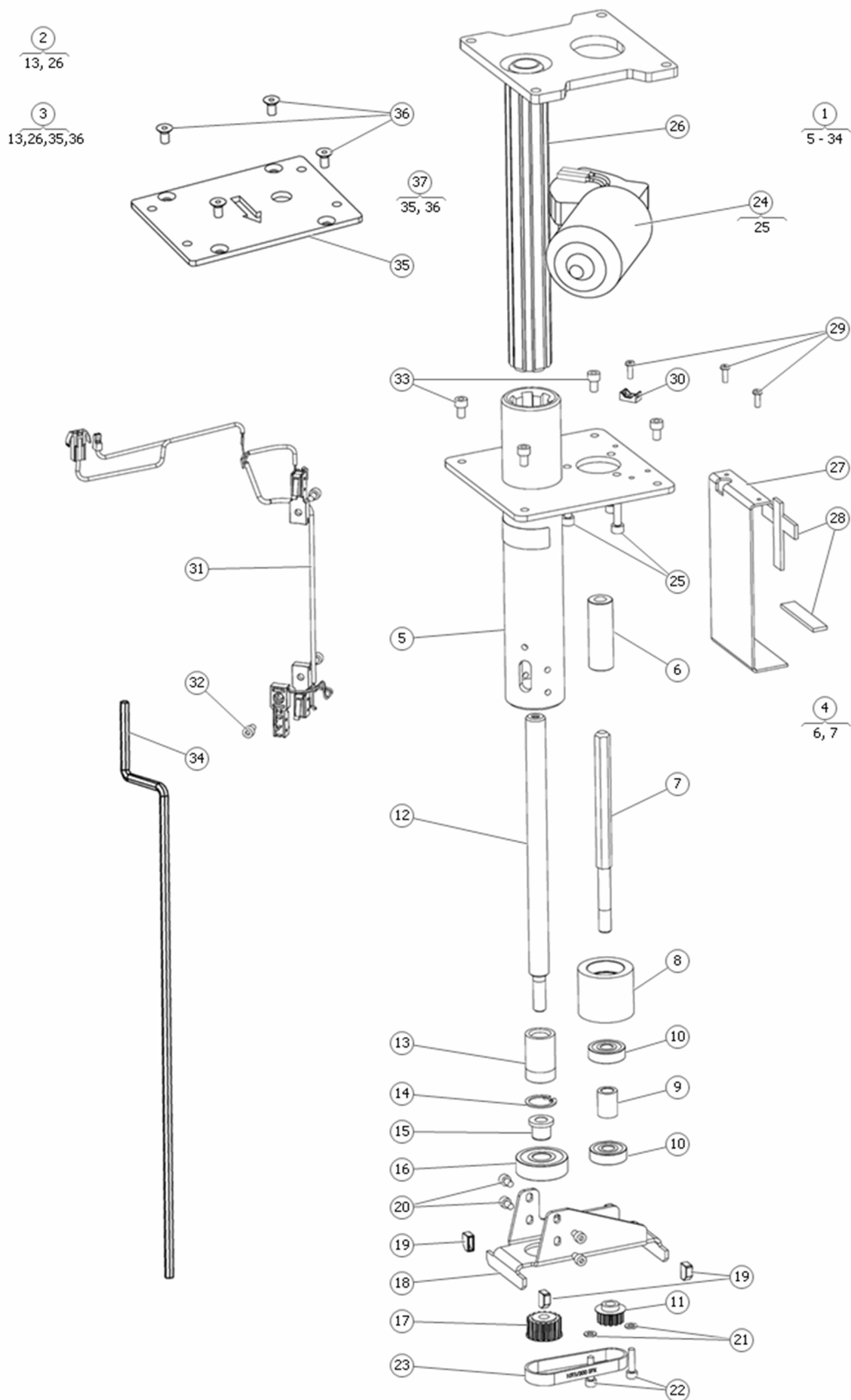
| Pos | Qty | Stock Code | Description | Remark |
|-----|-----|-------------|----------------------------------|---|
| 1 | 1 | 1822391 | Electronics basic VR2 PM70 | |
| 1 | 1 | 1822392 | Electronics advanced VR2 PM70-A2 | |
| 1 | 1 | 1825295 | Electronics advanced VR2 PM90-A2 | In combination w. TS-seat; 10 km/h top speed. |
| 2 | 1 | 1822387 | Control panel VR2 JSM | |
| 2 | 1 | 1822388 | Control panel VR2 JSM ADVANCED | |
| 3 | 1 | 1824344 | Charge sticker | |
| 4 | 2 | 1822373 | Cable motor and brake | |
| 5 | 1 | 1822374 | Cable battery | |
| 6 | 1 | 309085-00-0 | FUSE KIT CIRCUIT BREAK 63 AMP | |
| 7 | 1 | 1822363 | Cable inhibit/lowspeed | |
| 8 | 1 | 1822375 | Cable brake release | |
| 9 | 1 | 1822365 | Cable actuator | |
| 10 | 1 | 1822364 | Cable seat elevator | |
| 11 | 1 | 1822470 | Light module VR2 | |
| 12 | 1 | 1822371 | Cable adapter light | |
| 13 | 1 | 1823297 | Knob, Joystick | |
| 14 | 1 | 1824116 | Cable seat tilt inhibit | |



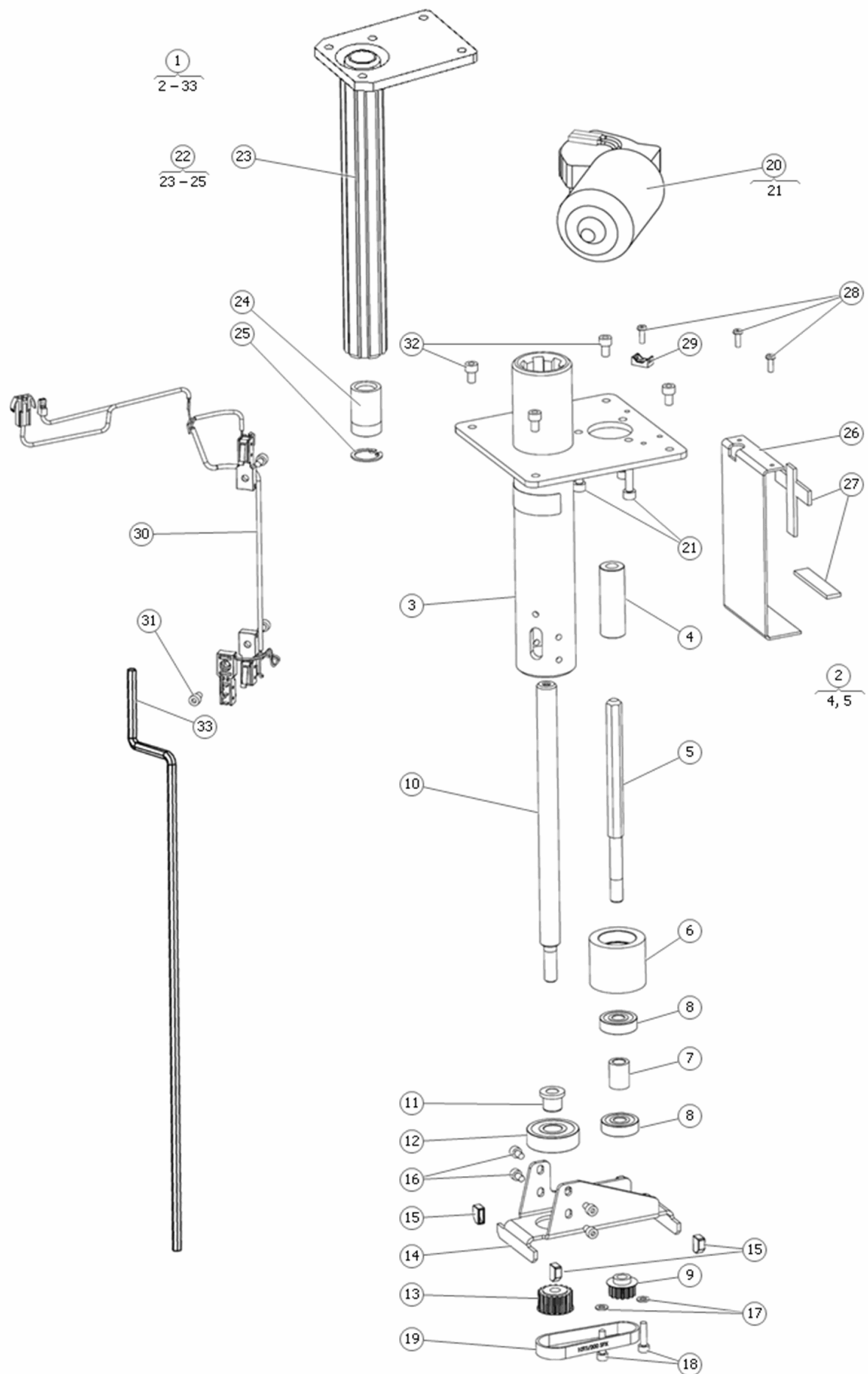
| Pos | Qty | Stock Code | Description | Remark |
|-----|-----|-------------|--|--|
| 1 | 1 | 1822393 | R-NET Power module 120A | |
| 1 | 1 | 1826733 | R-NET Power module 120A- HS | |
| 2 | 2 | 1822376 | Cable motor and brake | |
| 3 | 1 | 1822377 | Cable battery | |
| 4 | 1 | 1822366 | Cable mainfuse 63A | |
| 5 | 1 | 1822370 | Cable brake release | |
| 6 | 1 | 1822375 | Cable brake release | |
| 7 | 1 | 1821538 | Cable bus r-net L=500mm | |
| 8 | 1 | 1821537 | Connection block r-net 4-pos | |
| 9 | 1 | 1821526 | Cable bus r-net L=2500mm | |
| 9 | 1 | 1821538 | .5 | |
| 9 | 1 | 1823977 | 3.5 | |
| 9 | 1 | 1824291 | 1.5 | |
| 9 | 1 | 1826764 | 1 | |
| 9 | 1 | 1828192 | R-NET BUS CABLE 1000m MALE TO MALE | |
| 10 | 1 | 1822389 | Control panel JSM-L-SW R-NET | |
| 10 | 1 | 1822390 | Control panel JSM-L-SW-T R-NET | |
| 10 | 1 | 1825746 | CTRL PANEL COLOUR DISPLAY R_NET | |
| 10 | 1 | 1825758 | CTRL PANEL R-net JSM-LED-L 700mm | |
| 10 | 1 | 1826544 | | |
| 10 | 1 | 1826545 | R-net JSM L W/Speed Pot and Toggle Sw | |
| 10 | 1 | 1826588 | | |
| 10 | 1 | 1826675 | | |
| 10 | 1 | 1826676 | | |
| 10 | 1 | 1826677 | R-NET JSM L W/ SPEED POT | |
| 10 | 1 | 1826766 | | |
| 11 | 1 | 1824344 | Charge sticker | |
| 12 | 1 | 1822821 | CABLE MAIN LIN R-NET | |
| 13 | 1 | 1821535 | PCB ICS advanced seat control | |
| 14 | 1 | 1822372 | Cable adapter light | |
| 15 | 1 | 1821827 | Cable extension ICS L=700mm | |
| 16 | 1 | 1821382 | Electronics seat elevator | Incl. 2 screws. |
| 17 | 1 | 1823170 | Cable adapter seat elevator L=100mm | |
| 18 | 1 | 306853-00-0 | Cable adapter seat elevator L=40mm | |
| 19 | 1 | 1821531 | Cable main lin connection block ICS L=1700mm | |
| 20 | 1 | 1822288 | Electronics tilt | Incl. 2 screws and washers |
| 21 | 1 | 1822290 | Cable soft pot ICS L=1000mm | |
| 22 | 1 | 305677-00-0 | CABLE ACTU CONTROL L=1000 MS90 CH HEXIII | |
| 23 | 1 | 1824177 | CABLE/SW LOWER END STOP 45° TILT | 314351-99-0 Includes switch and bracket |
| 24 | 1 | 612871-99-0 | ACTU LA30-150-24 | For use with Pilot+. R-net, VR2 and VSI |
| 25 | 1 | 1826368 | Position sensor 150mm reverse | |
| 26 | 1 | 1824821 | CABLE SET SEAT ELEVATOR | |
| 27 | 1 | 1823297 | Knob, Joystick | |
| 28 | 1 | 1826509 | KEYPAD FRONT R-NET JSM | For control panel 1822389 and 1825746 |
| 29 | 1 | 1826510 | KEYPAD REAR R-NET JSM | For control panel 1822389 and 1825746 |
| 30 | 1 | 1826820 | R-NET JSM CABLE | PLEASE CONTACT TECHNICAL SUPPORT FOR A.. |



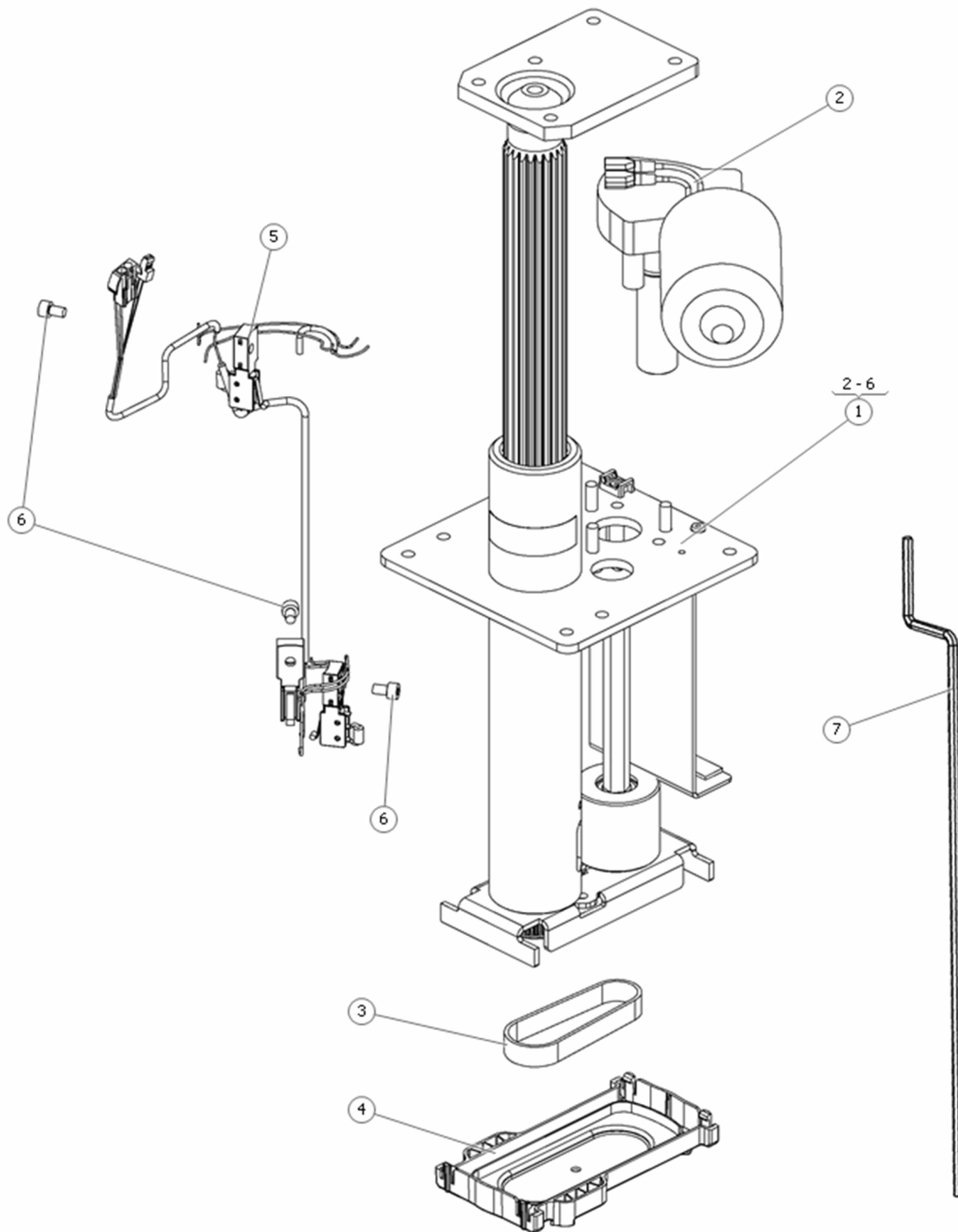
| Pos | Qty | Stock Code | Description | Remark |
|-----|-----|-------------|----------------------------------|-------------|
| 1 | 1 | 1826957 | SEAT TUBE | |
| 2 | 1 | 1826958 | SEAT TUBE | |
| 3 | 1 | 313991 | STICKER | |
| 4 | 1 | 601359-99-0 | BOLT MC6S 6x 8 fzb * | |
| 5 | 4 | 612828 | SET SCREW | |
| 6 | 1 | 612954 | HANDLE | |
| 7 | 1 | 612958 | GAS SPRING | |
| 8 | 1 | 600228-99-0 | LOCK NUT M8 FZB * | |
| 9 | 1 | 313593 | OUTER TUBE | |
| 10 | 1 | 601157-99-0 | BOLT MC6S 8x 55 fzb * | |
| 11 | 1 | 600239-99-0 | Washer ISO 7089 8,4x16x1,6 Fe/Zn | |
| 12 | 1 | 308077 | STICKER | |
| 13 | 1 | 1820421 | CAP | Incl. 4 pcs |
| 14 | 4 | 600192-99-0 | BOLT MC6S 6x12 fzb * | |
| 15 | 2 | 601381-99-0 | BOLT K6S 4x 8 fzb * | |
| 16 | 2 | 601204-99-0 | CABLE TIE HOLD TM 2 S8 * | |
| 17 | 1 | 313643 | PLATE | |
| 18 | 4 | 601381-99-0 | BOLT K6S 4x 8 fzb * | |
| 19 | 3 | 612482 | RECLOSABLE FASTENER | |
| 20 | 1 | 313647 | SEAT TUBE | |
| 21 | 1 | 315714 | INSTALL KIT SEAT C350 | |
| 22 | 4 | 601716-99-0 | SCREW ISO 10642 M8x16 10.9 Fe/Zn | |
| 23 | 1 | 1823270 | ADAPTER PLATE SEAT ELEVATOR | |
| 24 | 1 | 1820446 | Seat tube | |



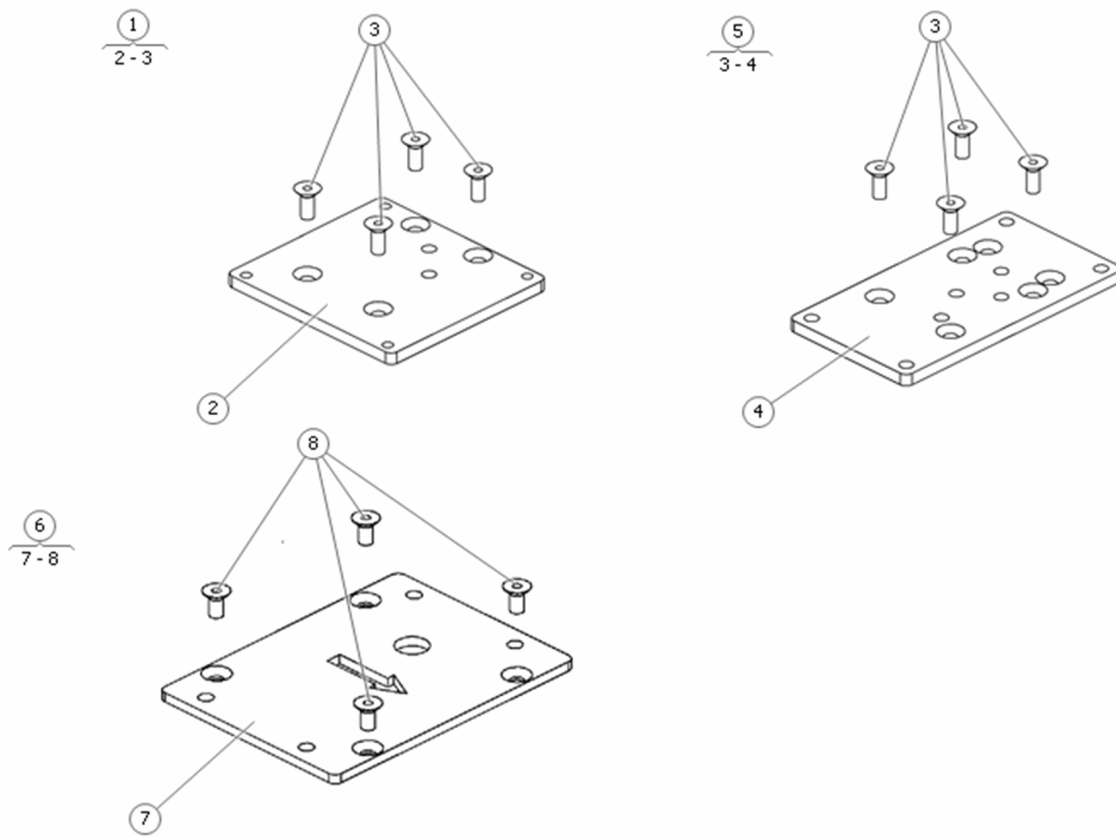
| Pos | Qty | Stock Code | Description | Remark |
|-----|-----|-------------|--|-------------|
| 1 | 1 | 1822287 | Seat elevator without tilt | |
| 2 | 1 | 1820424 | Inner tube seat elevator - For tilt | |
| 3 | 1 | 1820428 | Inner tube seat elevator - Without tilt | |
| 4 | 1 | 1820426 | Plastic sleeve and screw seat elevator | |
| 5 | 1 | 313627 | Outer tube | |
| 6 | 1 | 1830072 | PLASTIC SLEEVE SEAT ELEVATOR | |
| 6 | 1 | 1830072 | PLASTIC SLEEVE SEAT ELEV CH CH2k CHHD | |
| 6 | 1 | 309087-99-0 | PLASTIC SLEEVE SEAT ELEV CH CH2k CHHD | |
| 7 | 1 | 313962 | Screw | |
| 8 | 1 | 313636 | Bearing Race | |
| 9 | 1 | 313637 | Socket | |
| 10 | 1 | 600515 | BALL BEAR 6200-2RS1 | |
| 11 | 1 | 313639 | Timing belt pulley wheel | |
| 12 | 1 | 313621 | Screw | |
| 13 | 1 | 302248 | Nut | |
| 14 | 1 | 612307 | CIRCLIP INTERNAL DIN 472 Ø24 | |
| 15 | 1 | 310277 | SOCKET SEAT ELEVATOR | |
| 16 | 1 | 600709-99-0 | BALL BEAR 6302-2RS1 * | |
| 17 | 1 | 313638 | Timing Belt Pulley Wheel | |
| 18 | 1 | 313521 | Plate | |
| 19 | 1 | 1820421 | Cap | Incl 4 caps |
| 20 | 1 | 600188-99-0 | BOLT MC6S 5x 8 fzb | |
| 21 | 1 | 600237-99-0 | WASH BRB 5,3x10x 1 fzb * | |
| 22 | 1 | 601165-99-0 | BOLT MC6S 5x20 fzb * | |
| 23 | 1 | 600892-99-0 | DRIVEB SEAT ELEV MS90 CHHD HEXIII,8 CH2k | |
| 24 | 1 | 1822286 | Motor 240rpm 24V 30W | |
| 25 | 1 | 600194-99-0 | BOLT MC6S 6x20 fzb | |
| 26 | 1 | 313632 | Inner Tube | |
| 27 | 1 | 313643 | SLS Bracket | |
| 28 | 1 | 612623 | Velcro Tape 12,7 Adhesive | |
| 29 | 1 | 601187-99-0 | BOLT MC6S 6x20 fzb | |
| 30 | 1 | 601204-99-0 | CABLE TIE HOLD TM 2 S8 * | |
| 31 | 1 | 311195-99-0 | CABLE SEAT ELEV P+ | |
| 32 | 1 | 600188-99-0 | BOLT MC6S 5x 8 fzb | |
| 33 | 1 | 600192-99-0 | BOLT MC6S 6x12 fzb * | |
| 34 | 1 | 303668-99-0 | SEAT ELEV KEY | |
| 35 | 1 | 000000 | NOTAVAILABLE | |
| 35 | 1 | 315714 | Adapter plate | |
| 36 | 1 | 601716-99-0 | BOLT MF6S 8x16 fzb | |
| 37 | 1 | 1823270 | Adapter plate kit | |



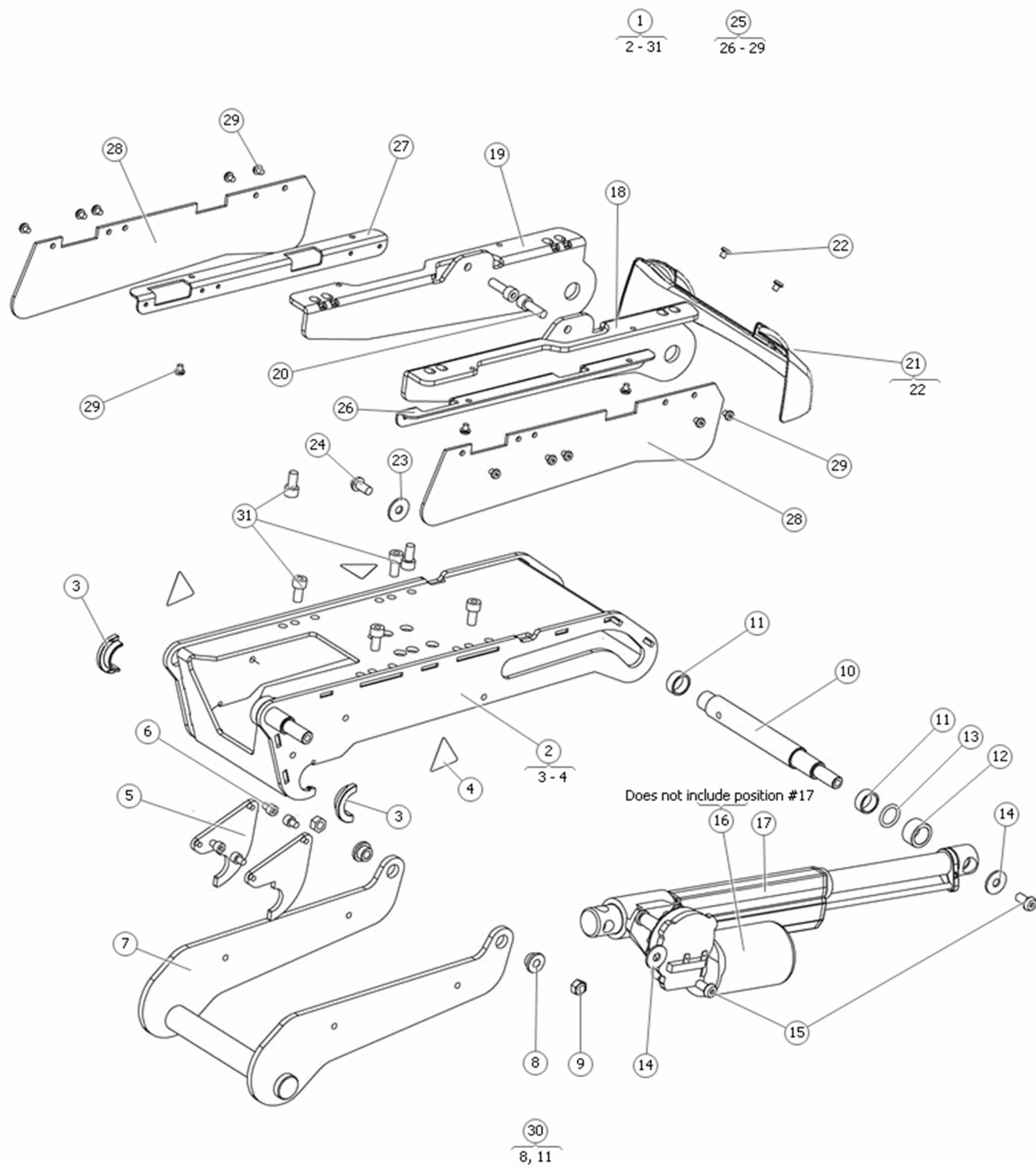
| Pos | Qty | Stock Code | Description | Remark |
|-----|-----|-------------|--|---------------------------------------|
| 1 | 1 | 1825841 | Seat elevator | See adapter page for seat interfaces. |
| 2 | 1 | 1820426 | Plastic sleeve and screw seat elevator | |
| 3 | 1 | 313627 | Outer tube | |
| 4 | 1 | 1830072 | PLASTIC SLEEVE SEAT ELEVATOR | |
| 4 | 1 | 1830072 | PLASTIC SLEEVE SEAT ELEV CH CH2k CHHD | |
| 4 | 1 | 309087-99-0 | PLASTIC SLEEVE SEAT ELEV CH CH2k CHHD | |
| 5 | 1 | 313962 | Screw | |
| 6 | 1 | 313636 | Bearing Race | |
| 7 | 1 | 313637 | Socket | |
| 8 | 1 | 600515 | BALL BEAR 6200-2RS1 | |
| 9 | 1 | 313639 | Timing belt pulley wheel | |
| 10 | 1 | 313621 | Screw | |
| 11 | 1 | 310277 | SOCKET SEAT ELEVATOR | |
| 12 | 1 | 600709-99-0 | BALL BEAR 6302-2RS1 * | |
| 13 | 1 | 313638 | Timing Belt Pulley Wheel | |
| 14 | 1 | 313521 | Plate | |
| 15 | 1 | 1820421 | Cap | Incl 4 caps |
| 16 | 1 | 600188-99-0 | BOLT MC6S 5x 8 fzb | |
| 17 | 1 | 600237-99-0 | WASH BRB 5.3x10x 1 fzb * | |
| 18 | 1 | 601165-99-0 | BOLT MC6S 5x20 fzb * | |
| 19 | 1 | 600892-99-0 | DRIVEB SEAT ELEV MS90 CHHD HEXIII,8 CH2k | |
| 20 | 1 | 1822286 | Motor 240rpm 24V 30W | |
| 21 | 1 | 600194-99-0 | BOLT MC6S 6x20 fzb | |
| 22 | 1 | 319830 | Inner tube seat elevator | See adapter page for seat interfaces. |
| 23 | 1 | 319830 | Inner Tube | |
| 24 | 1 | 302248 | Nut | |
| 25 | 1 | 612307 | CIRCLIP INTERNAL DIN 472 Ø24 | |
| 26 | 1 | 313643 | SLS Bracket | |
| 27 | 1 | 612623 | Velcro Tape 12,7 Adhesive | |
| 28 | 1 | 601187-99-0 | BOLT MC6S 6x20 fzb | |
| 29 | 1 | 601204-99-0 | CABLE TIE HOLD TM 2 S8 * | |
| 30 | 1 | 311195-99-0 | CABLE SEAT ELEV | |
| 31 | 1 | 600188-99-0 | BOLT MC6S 5x 8 fzb | |
| 32 | 1 | 600192-99-0 | BOLT MC6S 6x12 fzb * | |
| 33 | 1 | 303668-99-0 | SEAT ELEV KEY | |



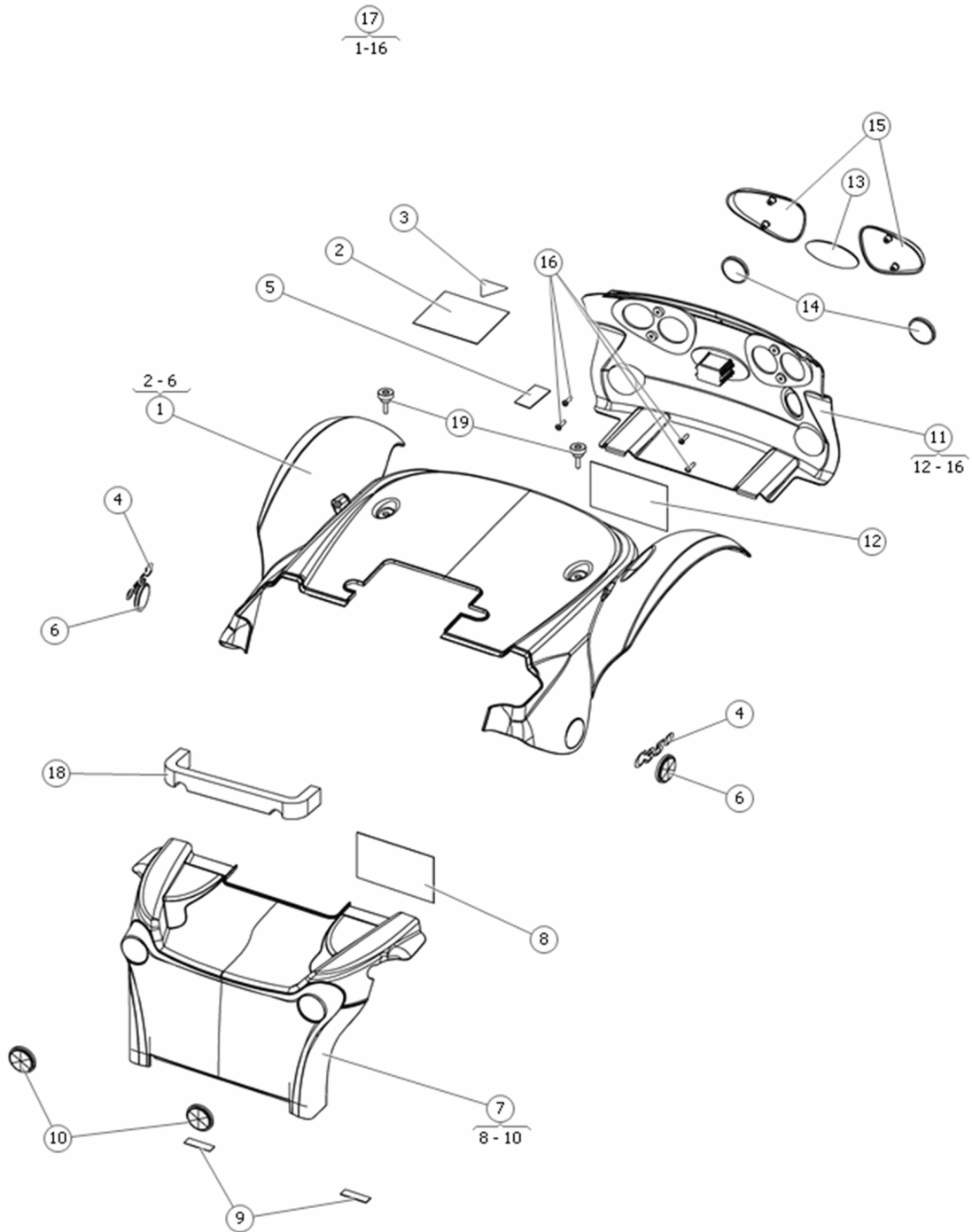
| Pos | Qty | Stock Code | Description | Remark |
|-----|-----|-------------|---------------------------|---------------------------------------|
| 1 | 1 | 1825841 | Seat elevator | See adapter page for seat interfaces. |
| 2 | 1 | 1830115 | Motor 270rpm 24V 30W | With socket |
| 3 | 1 | 1828657 | Timing belt | |
| 4 | 1 | 1828656 | Cover seat elevator base | |
| 5 | 1 | 311628-99-0 | CABLE SEAT ELEV | |
| 6 | 1 | 600188-99-0 | Screw ISO 4762 M5x8 Fe/Zn | |
| 7 | 1 | 303668-99-0 | SEAT ELEV KEY | |



| Pos | Qty | Stock Code | Description | Remark |
|-----|-----|-------------|------------------------------|--|
| 1 | 1 | 1830515 | Adapter kit CII tilt | |
| 2 | 1 | 318488 | Adapter plate | |
| 3 | 1 | 600764-99-0 | Screw ISO 10642 M8x20 Fe/Zn | |
| 4 | 1 | 318606 | Adapterplate | |
| 5 | 1 | 1825313 | Adapter kit no tilt | |
| 6 | 1 | 1823270 | Adapter plate kit | For seat elevator with large top plate (140mm x 133... |
| 7 | 1 | 315714 | Adapter plate | |
| 8 | 1 | 601716-99-0 | Sc rew ISO 10642 M8x16 Fe/Zn | |



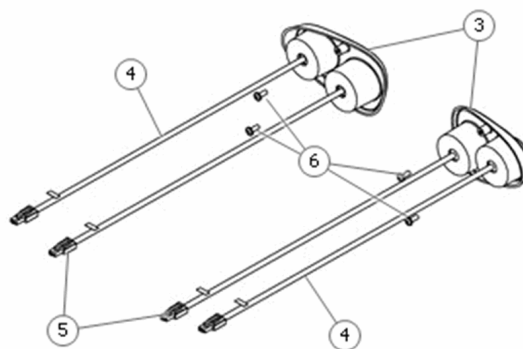
| Pos | Qty | Stock Code | Description | Remark |
|-----|-----|-------------|---|---|
| 1 | 1 | 1820429 | Seat tilt 45° | VR2 |
| 1 | 1 | 1824708 | SEAT TILT 45° INCL. SOFT POT | R-net |
| 2 | 1 | 313757 | Seat tilt box | |
| 3 | 1 | 313670 | Bearing | |
| 4 | 1 | 313891-99-0 | Decal tilt | |
| 5 | 1 | 313759 | Tilt shackle | |
| 6 | 1 | 600888-99-0 | BOLT MC6S 6x10 fzb * | |
| 7 | 1 | 313747 | Seat tilt slew brack | |
| 8 | 1 | 1823932 | Bearing | |
| 9 | 1 | 600228-99-0 | LOCK NUT M8 FZB * | |
| 10 | 1 | 313751 | Shaft seat tilt | |
| 11 | 1 | 1820434 | BEARING | OBSOLETE WHEN ZERO INVENTORY |
| 11 | 1 | 313750 | Bearing | |
| 12 | 1 | 313753 | Spacer | |
| 13 | 1 | 612814 | O-ring Ø18x3 | |
| 14 | 1 | 612393-99-0 | Washer ISO 7093-1 M8 fzb | |
| 14 | 1 | 612393-99-0 | WASHER RB 8,4x24x2 fzb 140HV DIN9021 ISO 7093 | |
| 15 | 1 | 601404-99-0 | Screw ISO 7380 M8x16 fzb | |
| 16 | 1 | 612871-99-0 | Actu LA30 150-24 | For use with Pilot+, R-net, VR2 and VSI |
| 17 | 1 | 1820435 | Limit switch kit | VR2 |
| 17 | 1 | 1826368 | Soft pot | R-net |
| 18 | 1 | 313760 | Seat brack Left | |
| 19 | 1 | 313752 | Seat brack Right | |
| 20 | 1 | 600499-99-0 | BOLT MC6S 8x 25 fzb * | |
| 21 | 1 | 1820433 | Cover | |
| 22 | 1 | 612781-99-0 | SKRUV ISO 7380 M5x6 * | |
| 23 | 1 | 612393-99-0 | Washer ISO 7093-1 M8 fzb | |
| 23 | 1 | 612393-99-0 | WASHER RB 8,4x24x2 fzb 140HV DIN9021 ISO 7093 | |
| 24 | 1 | 601404-99-0 | BOLT K6S 8x16 fzb | |
| 25 | 1 | 1820432 | Crush guard kit | |
| 26 | 1 | 313813 | Crush guard bracket Right | |
| 27 | 1 | 313769 | Crush guard bracket Left | |
| 28 | 1 | 313768 | Crush guard | |
| 29 | 1 | 612781-99-0 | SKRUV ISO 7380 M5x6 * | |
| 30 | 1 | 1825440 | SLIDE BEAR KIT FRONT- HINGE TILT 45° C300 | |
| 31 | 1 | 600590-99-0 | BOLT MC6S 8x 16 fzb * | |



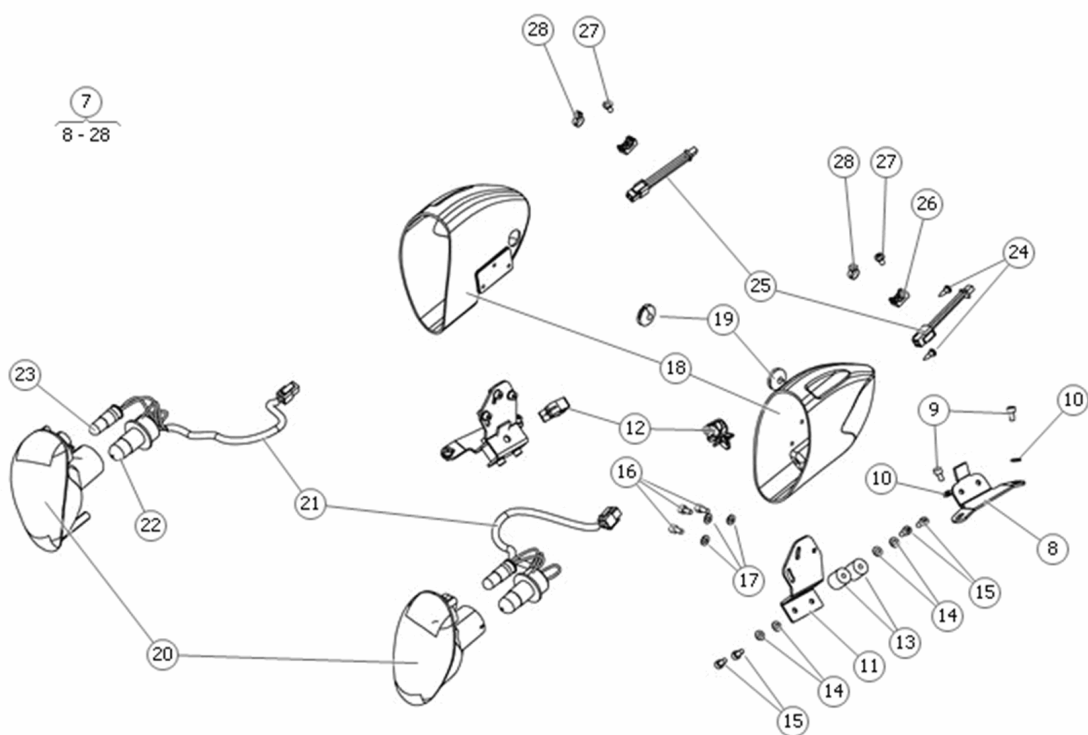
| Pos | Qty | Stock Code | Description | Remark |
|-----|-----|-------------|----------------------------------|---------------------------------------|
| 1 | 1 | 000000 | NOTAVAILABLE | |
| 1 | 1 | 316552 | COVER CENTER INCL. REFL. | |
| 2 | 1 | 1822538 | DECAL WARNING RADIO WAVES USA | Set incl all stickers for cover mount |
| 3 | 1 | 1822538 | Sticker warning tilt | Set incl all stickers for cover mount |
| 3 | 1 | 313891-99-0 | Sticker warning tilt | |
| 4 | 1 | 1822538 | Sticker 'C350' Cover | Set incl all stickers for cover mount |
| 5 | 1 | 1822538 | Sticker brake release | Set incl all stickers for cover mount |
| 6 | 1 | 1820324 | REFLECTOR, YELLOW | |
| 7 | 1 | 000000 | NOTAVAILABLE | |
| 7 | 1 | 316555 | Cover front | |
| 8 | 1 | 1822538 | Sticker battery & fuse | Set incl all stickers for cover mount |
| 9 | 1 | 000000 | NOTAVAILABLE | NOT FOR SALE |
| 10 | 1 | 1820314 | REFLECTOR, WHITE | |
| 10 | 2 | 612368 | Reflektor Ø40 white | |
| 11 | 1 | 000000 | NOTAVAILABLE | |
| 11 | 1 | 316549 | Cover rear | |
| 12 | 1 | 1822538 | Sticker battery & fuse | Set incl all stickers for cover mount |
| 13 | 1 | 1822538 | Sticker 'Permobil' | Set incl all stickers for cover mount |
| 13 | 1 | 306200-99-0 | Sticker 'Permobil' | |
| 14 | 2 | 1821057 | Reflektor Ø40 red | |
| 15 | 2 | 316664 | Cover lights | |
| 16 | 1 | 613078-99-0 | Screw M4x16 Fe/Zn | |
| 17 | 1 | 1824338 | COVERSET C350 BLACK INCL. REFL. | |
| 17 | 1 | 1824339 | COVERSET C350 SILVER INCL. REFL. | |
| 17 | 1 | 1824340 | COVERSET C350 YELLOW INCL. REFL. | |
| 17 | 1 | 1824341 | COVERSET C350 RED INCL. REFL. | |
| 17 | 1 | 1824342 | COVERSET C350 BLUE INCL. REFL. | |
| 18 | 1 | 1824097 | CRUSH GUARD | MUST BE MOUNTED WHEN TILT |
| 19 | 1 | 1821249 | LOCK HANDLE M5x20 | |

①
2 - 28

②
3 - 6



⑦
8 - 28



| Pos | Qty | Stock Code | Description | Remark |
|-----|-----|-------------|-----------------------------|---|
| 1 | 1 | 1822964 | LIGHTS KIT C350 VR2 | COMPLETE WITH CABLE ADAPTER AND LIGHT... |
| 1 | 1 | 1822965 | LIGHTS KIT C350 R-NET | COMPLETE WITH CABLE ADAPTER |
| 1 | 1 | 1825140 | LIGHTS KIT C350 | |
| 2 | 2 | 1822394 | LIGHTS REAR | |
| 3 | 1 | 316553 | BRACKET LIGHTS | |
| 4 | 1 | 1828279 | TURN SIGNAL Ø35,9 | |
| 5 | 1 | 1828278 | LIGHTS REAR Ø35,9 | |
| 6 | 1 | 613078-99-0 | SCREW M4x16 Fe/Zn | |
| 7 | 1 | 1822703 | LIGHT FRONT RIGHT | |
| 7 | 1 | 1822704 | LIGHT FRONT LEFT | |
| 8 | 1 | 317168 | LIGHT BRACKET LEFT | |
| 8 | 1 | 317169 | LIGHT BRACKET RIGHT | |
| 9 | 2 | 600182-99-0 | BOLT MC6S 4x 8 fzb * | |
| 10 | 2 | 601296-99-0 | WASH BRB 4.3x 9x0.8 fzb STD | |
| 11 | 1 | 317160 | LIGHTS BRACKET TOP LEFT | |
| 11 | 1 | 317161 | LIGHTS BRACKET TOP RIGHT | |
| 12 | 1 | 612953-00-0 | CABLE CLIP | |
| 13 | 1 | 602326-99-0 | RUBBER BLOCK Ø15x15 M4 | 3 RUBBER BLOCKS NEEDED ON EACH SIDE (L/R) |
| 14 | 4 | 601296-99-0 | WASH BRB 4.3x 9x0.8 fzb STD | |
| 15 | 4 | 600182-99-0 | BOLT MC6S 4x 8 fzb * | |
| 16 | 3 | 600182-99-0 | BOLT MC6S 4x 8 fzb * | |
| 17 | 3 | 601296-99-0 | WASH BRB 4.3x 9x0.8 fzb STD | |
| 18 | 1 | 312908 | COVER LIGHT RIGHT | |
| 18 | 1 | 312909 | COVER LIGHT LEFT | |
| 19 | 1 | 313039 | GROMMET Ø15 Ø6 t=3 | |
| 20 | 1 | 612606 | HEAD LIGHT LEFT | |
| 20 | 1 | 612702 | HEAD LIGHT RIGHT | |
| 21 | 1 | 000000 | NOTAVAILABLE | NOT FOR SALE |
| 22 | 1 | 1820308 | BULB HEADLIGHT | |
| 23 | 1 | 1820309 | BULB TURN SIGNAL | |
| 24 | 2 | 613382 | SCREW 4x10 Fe/Zn REFORM | |
| 25 | 1 | 315191 | CABLE ADAPTER LIGHTS | |
| 26 | 1 | 601204-99-0 | CABLE TIE HOLD TM 2 S8 * | |
| 27 | 1 | 601436-99-0 | BOLT MRX-TT-Z 4x8 fzb * | |
| 28 | 1 | 602472 | CABLE TIE 3,5x150 PA6,6 | |

Notes

A series of horizontal dashed lines for writing notes.

Ordering information

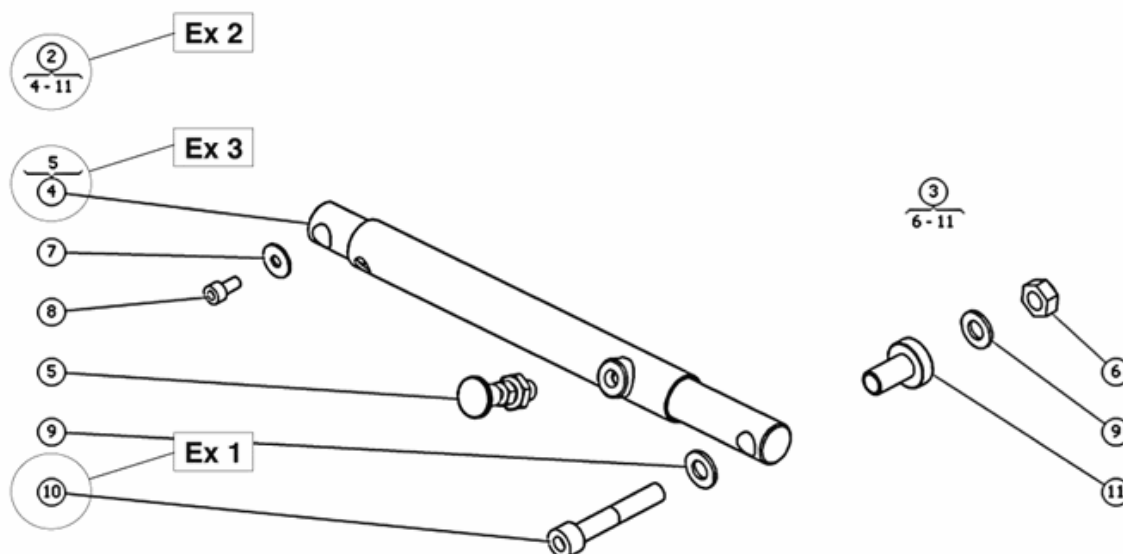
When you order spare parts, the following must always be specified:

- The product model (for example, power wheelchair C300).
- The description of the part. Always use the description used in this catalog.
- The entire part number.
- The quantity.

NB! In some cases, parts appear in the spare part catalog without a part number. This means that the part cannot be ordered from Permobil. We have, however, chosen to describe it for your information. Standard components such as screws, nuts, washers and similar parts can be purchased in an ordinary shop using the information in this catalog.

Parts

A part consists of one or more parts. If a part consists of several parts, a bracket in connection with the part's item bubble is used to show the parts included in the part in the exploded views. See examples 1, 2 and 3.



Example 1:

Position 10 refers to a single part, a screw.

Example 2:

Position 2 is a spare part consisting of the parts from 4 to 11.

Example 3:

Position 4 is an article that also includes position 5. In these cases the article or articles which referred to in the bracket, are pre-assembled on the main article (position 4).

Notes

A series of horizontal dashed lines for writing notes, spanning the width of the page.

Spare Parts Catalog

CONTACT PERMOBIL:

Permobil AB

Box 120

861 23 Timrå

Sverige

Tel: 060-59 59 00

Fax: 060-57 52 50

E-post: info@permobil.se

Permobil Inc. USA

300 Duke Drive

Lebanon, TN 37090

USA

Phone: 800-736-0925

Fax: 800-231-3256

Email: info@permobilusa.com

Permobil AS

Industriveien 16

Postboks 60

1483 Hagan Norge

Tlf. 815 30 077

Fax. 815 33 655

E-post: firmapost@permobil.no

Permobil Benelux BV

De Beitel 11

6466 GZ Kerkrade

Nederland

Tel: +31 (0)45 564 54 80

Fax: +31 (0)45 564 54 81

Email: info@permobil.nl



PAB no: 1252-1