

SPARE PARTS CATALOG

---

**C400**  
*and*  
**C400 Lowrider**  
Permobil power wheelchairs

**permobil**  
THE POWER OF MOBILITY

Produced and published by Permobil AB, Sweden  
Edition no. 1, 2014-02  
PAB: **1288:1**

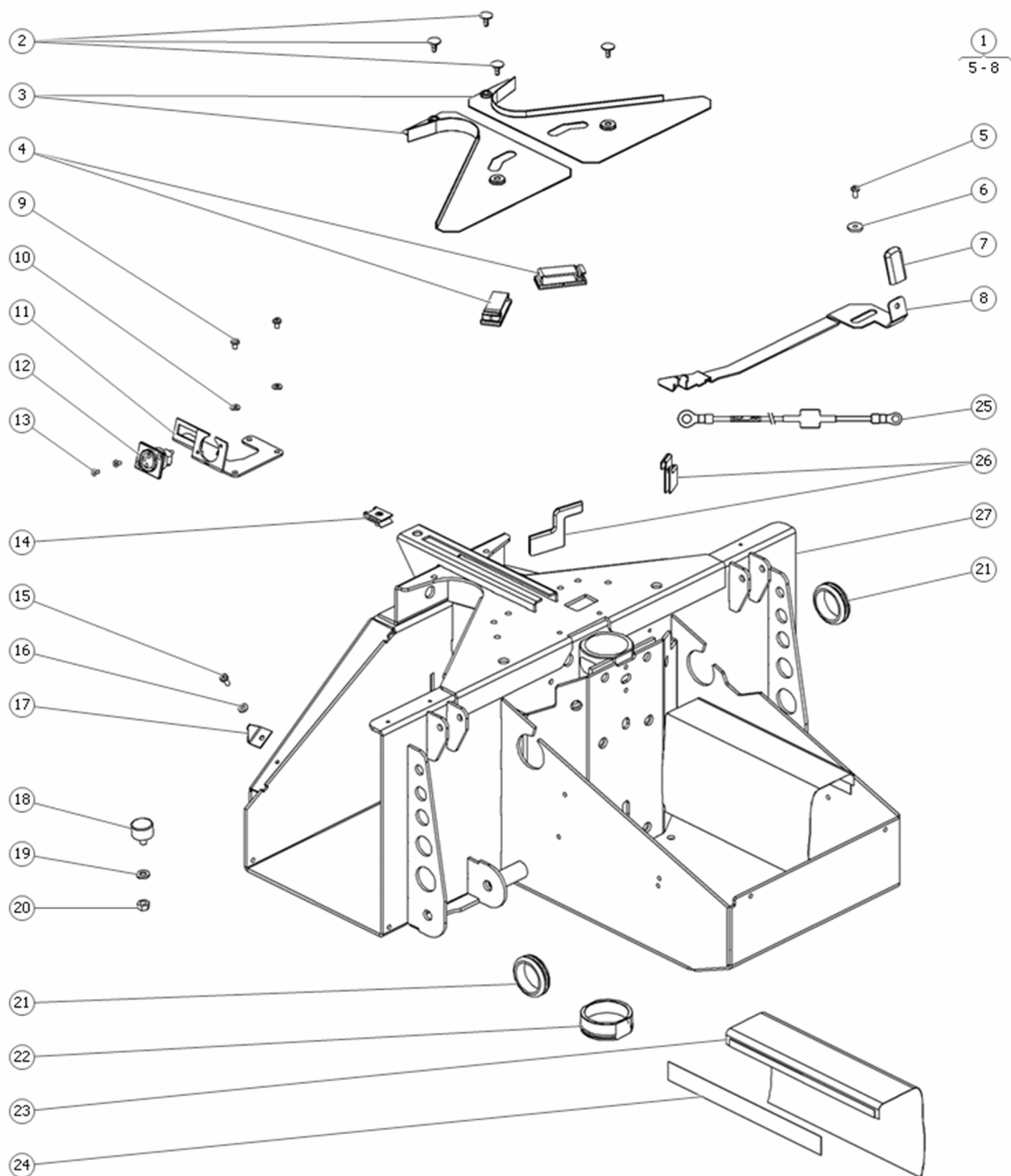
## Important information

The contents of this parts catalog applies to chassis with serial number **44506334** and higher.  
For chassis with serial numbers below this please refer to the spare parts catalog "C400".

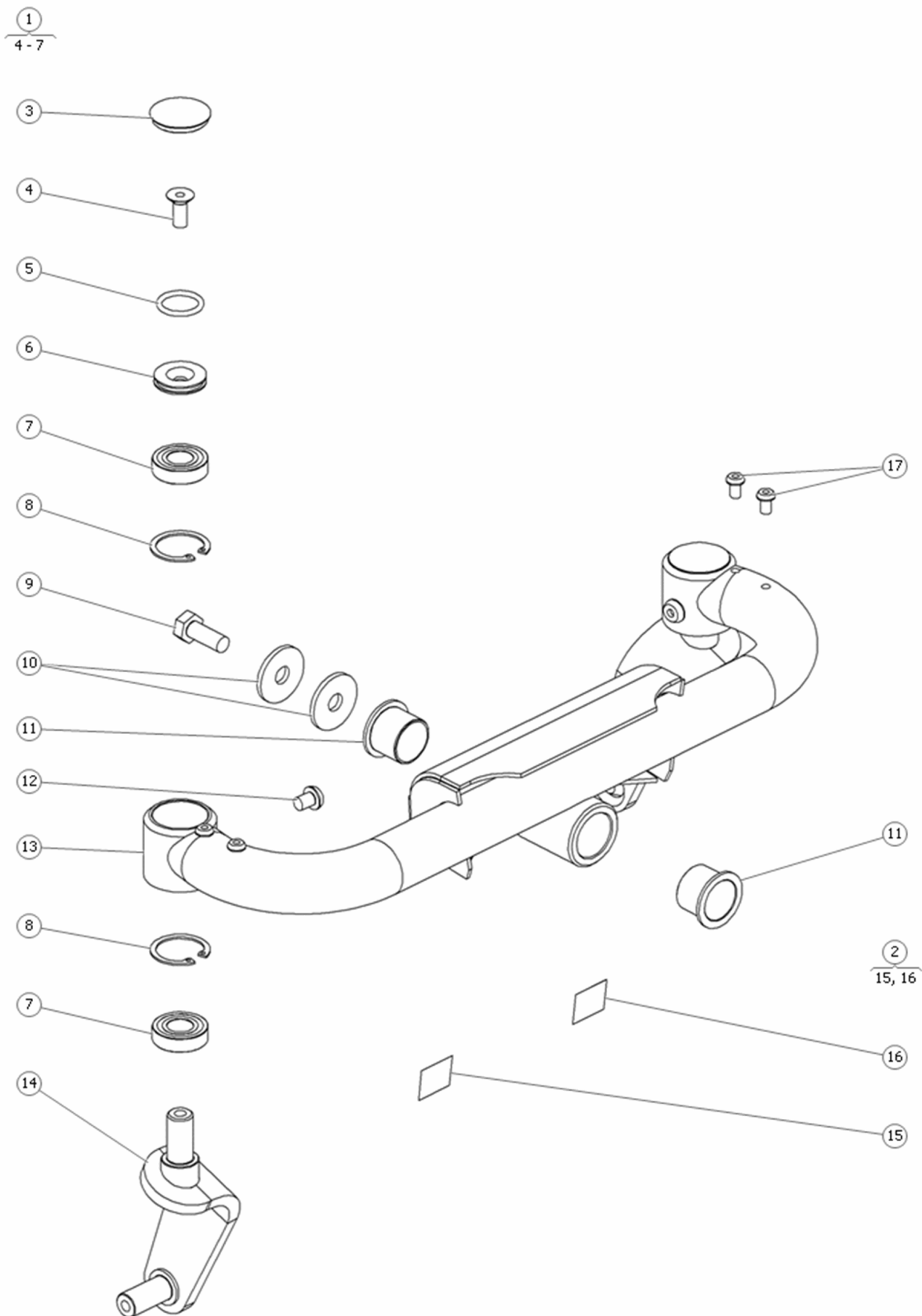


## Contents

Chassis box .....
Rear wheel suspension .....
Battery covers .....
Brake release .....
Motor units .....
Front suspension .....
Wheels .....
Support wheels .....
Seat supports .....
Covers .....
Seat tube, fixed.....
Seat tube, fixed, low .....
Seat elevator, standard .....
Seat elevator, low .....
Electronics .....
Lights and relectors .....

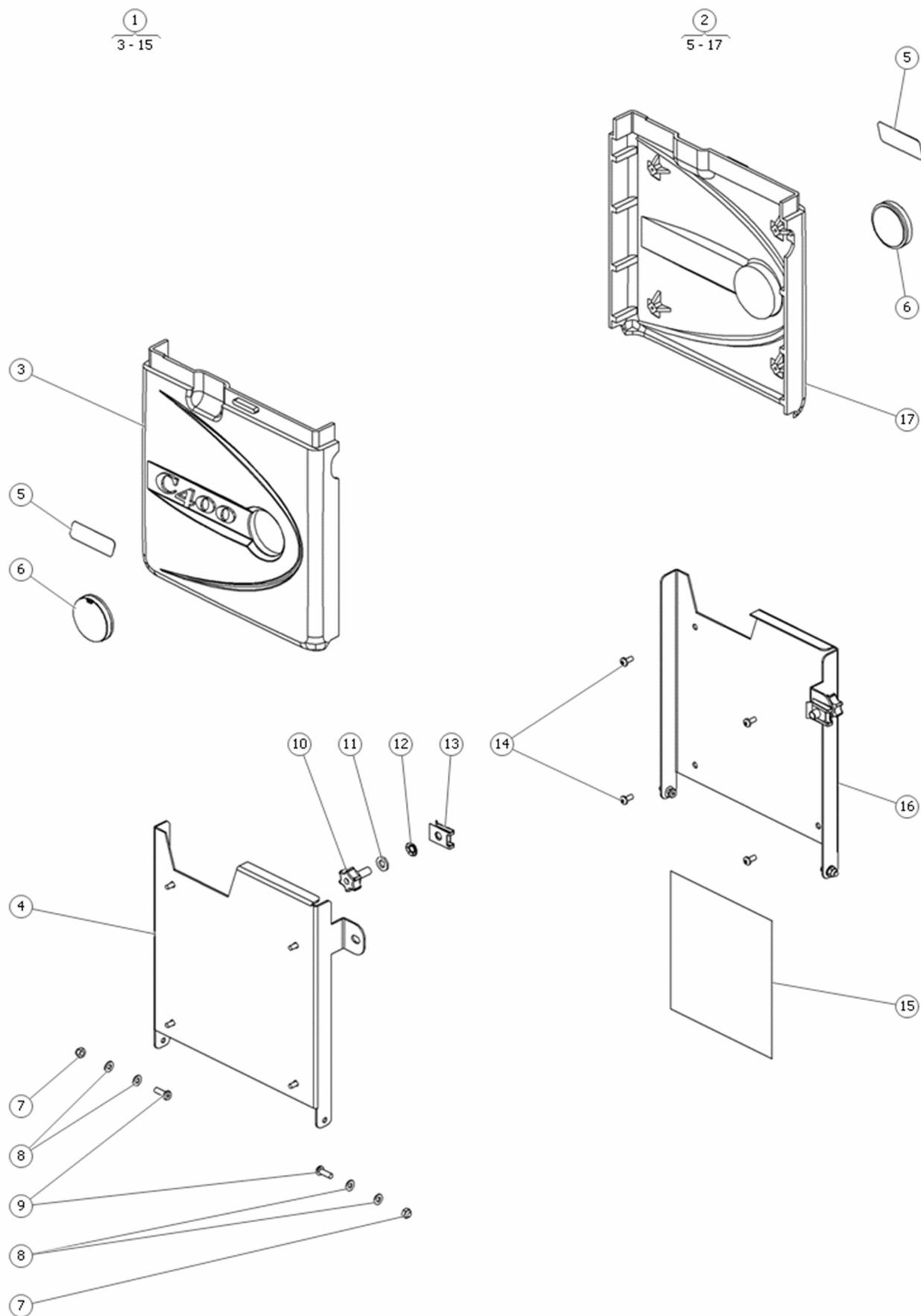


Pos	Qty	Stock Code	Description	Remark
1	1	1825306	ARM MANÖVER HUVDSÄKRING	
2	1	601158-99-0	SNABBFÄSTKLÄMMA	
3	1	313717-00-0	SKYDD BATTERILÅDA C4,C500	
4	1		CABLE CLAMP	
5	1	601381-99-0	SKRUV K6S 4x 8 fzb	
6	1		SPACER	
7	1	601823-00-0	PLASTKN REKT 4x16x30	
8	1		ARM	
9	1	601366-99-0	SKRUV K6S 4x 6 fzb	
10	1	601296-99-0	BR BRB 4.3x 9x0.8 fzb	
11	1		BRACKET CHARGER CONNECTOR C4,500	
12	1	311060-00-0	LADDKONTAKT XLR	Incl. Cable
13	1		USE 601933-99-0 SCREW MFX-Z 3x6 FZB	
14	1	1821755	MUTTER M6 FJÄDER SATS	Incl. 4 pcs
15	1	601187-99-0	SKRUV K6S 4x10 fzb	
16	1	601296-99-0	BR BRB 4.3x 9x0.8 fzb	
17	1		ANGLE	
18	1	602639-99-0	GUMMIKUDDE MN60 3018055	
19	1	600238-99-0	BR BRB 6.4x12x1.6 fzb	
20	1	600227-99-0	LÅSMUTTER M 6 fzb	
21	1		GROMMET	
22	1		PLASTIC KNOB	
23	1	1825309	SKYDD ELECTRONIK INKL	
24	1		VELCRO TAPE	
25	1	311199-00-0	KABL ANSLUTN CHASSI CH2K	
26	1	313841-00-0	SKYDD KABLAGAGE C400	
27	1		CHASSIE	

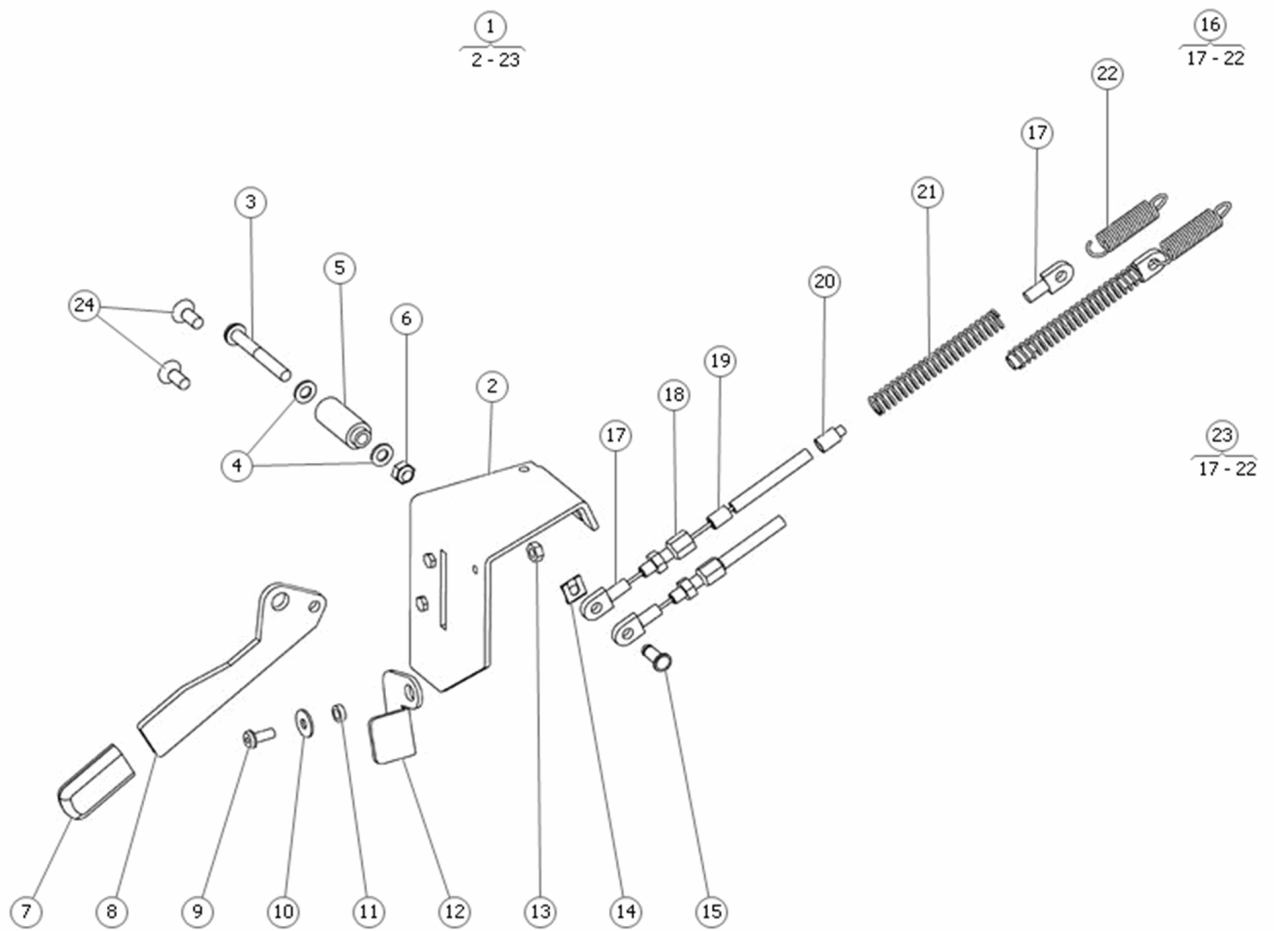




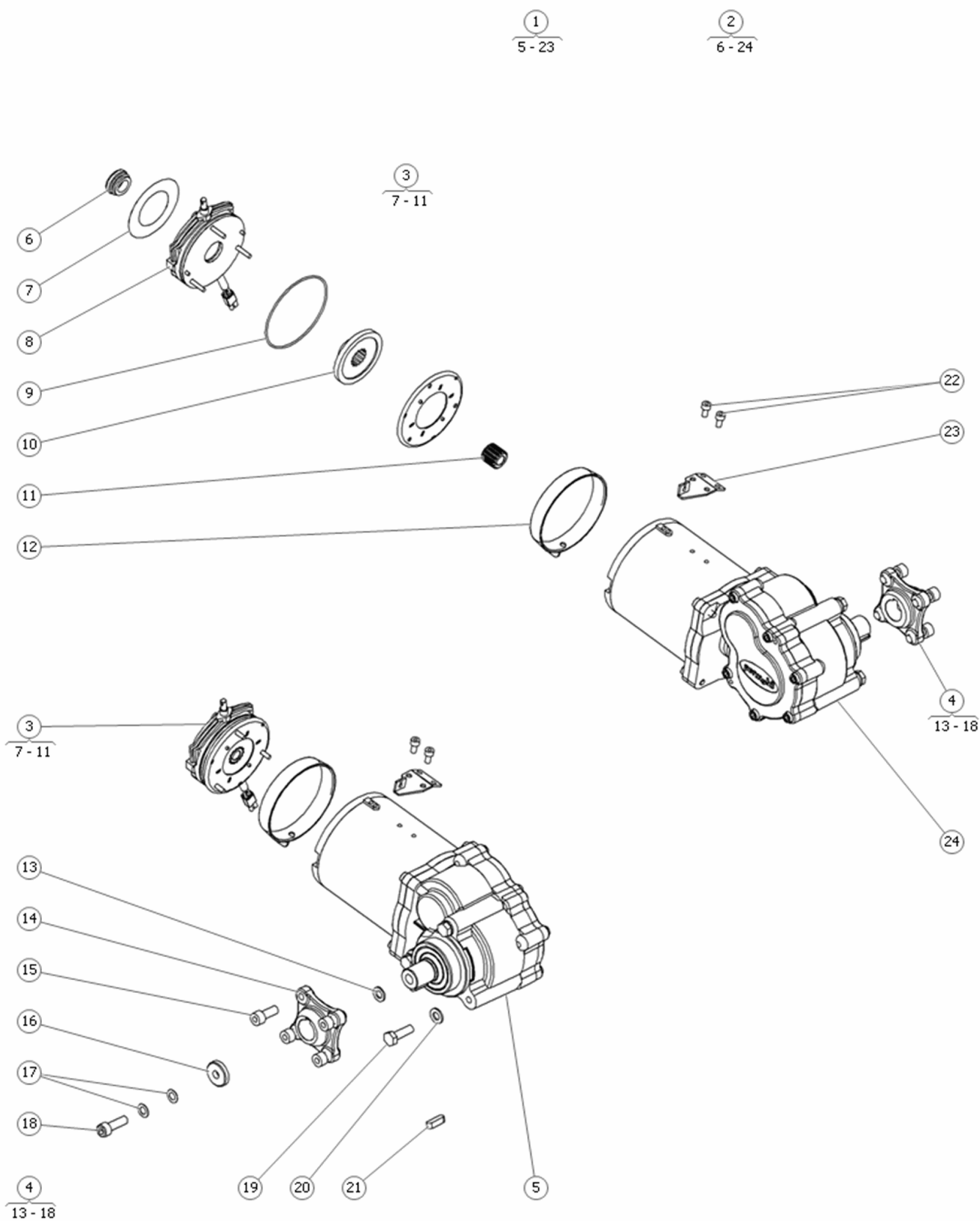
Pos	Qty	Stock Code	Description	Remark
1	1	1825109	FRIKTIONSBRÖMSSATS PIVOT-	
2	1	1820459	DEKALSATS FÄSTÖGLA	
3	1	311314-99-0	PL PLUGG HJUL CH2K CH2S	
4	1	1820410	SKRUV ISO 10642 M8x20 ESL	
5	1	1820404	O-RING 24.2x3 EPDM	
6	1	1820403	FRIKT.PLATTA HJULGAFFEL	
7	1	600752-99-0	KULLAGER 6002-2RS1	
8	1	600751-99-0	SPÄRRING SgH 32	
9	1	612683-99-0	SKRUV M6S 10x25 fzb ESL	
10	1		WASHER	
11	1	612416-99-0	GLIDLAGER25/28/35-22PDE-F	
12	1	601953-99-0	SKRUV K6S 8x10 fzb	
13	1		SWING ARM	
14	1		WHEEL FORK	Left
14	1		WHEEL FORK	Right
15	1	312871-99-1	DEKAL FÄSTKROK	Right
16	1	312872-99-2	DEKAL FÄSTKROK	Left
17	1	600736-99-0	SKRUV K6S 6x10 fzb	



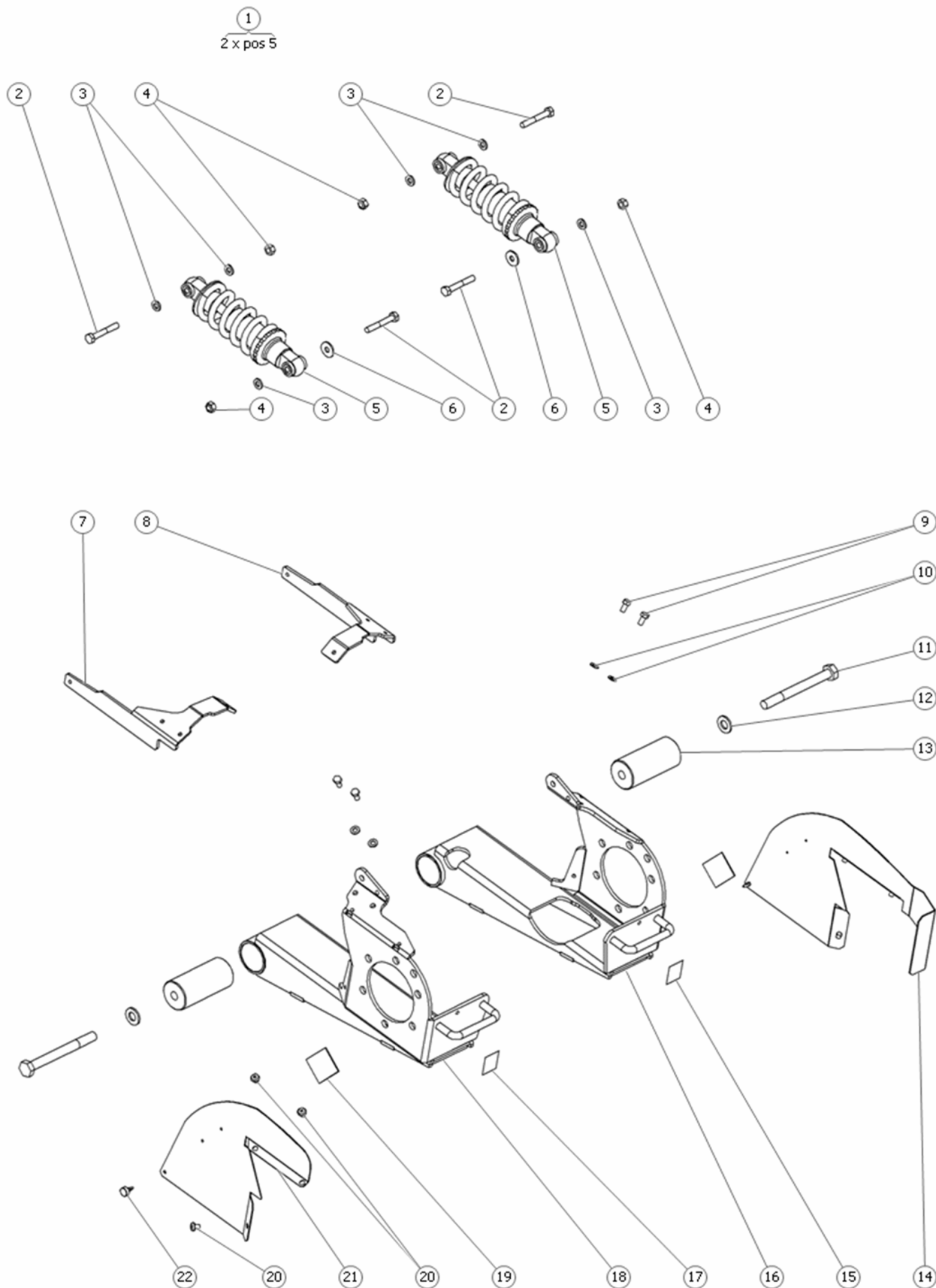
Pos	Qty	Stock Code	Description	Remark
1	1	313833-00-1	BATTERILÄDSLOCK C400 HÖ	
2	1	313831-00-2	BATTERILÄDSLOCK C400 VÄ	
3	1		COVER	Right
4	1		PLATE	Right
5	1	1827183	DEKAL ESP	
6	1	1820324	REFLEX SIDA STR	
7	1	600225-99-0	LÄSMUTTER M 4 fzb	
8	1	601296-99-0	BR BRB 4.3x 9x0.8 fzb	
9	1	601102-99-0	SKRUV K6S 4x12 fzb	
10	1		LOCK HANDLE	
11	1	600238-99-0	BR BRB 6.4x12x1.6 fzb	
12	1	602788-99-0	BR LASBR STARLOC 5X12 fzb	
13	1	1821755	MUTTER M6 FJÄDER SATS	Incl. 4 pcs
14	1		TAPPING SCREW	
15	1		STICKER	
16	1		PLATE	Left
17	1		COVER	Left



Pos	Qty	Stock Code	Description	Remark
1	1	313509-99-0	BROMSFRI C4,500	
2	1		PLATE	
3	1	601706-99-0	SKRUV K6S 5x40 fzb	
4	1	600237-99-0	BR BRB 5.3x10x1 fzb STD	
5	1		SPACER	
6	1	600226-99-0	LÅSMUTTER M 5 fzb	
7	1	601823-00-0	PLASTKN REKT 4x16x30	
8	1		ARM	
9	1	601187-99-0	SKRUV K6S 4x10 fzb	
10	1	600829-99-0	BR BRB 4.3x12x1 fzb	
11	1		SPACER, 4,3x7x2,3 PA 6	
12	1		LOCK	
13	1	600231-99-0	MUTTER M6M 4 fzb	
14	1	603083-99-0	LÅSBYGEL	
15	1		COTTER	
16	1		WIRE, L=220	
17	1		SOLDERED NIPPLE, Ø5	
18	1		ADJUSTING SCREW, M5x0,8	
19	1		SOCKET, Ø6x5,3x3	
20	1		SOCKET, Ø6,5x0,6, Ø4x0,75	
21	1		SPRING, TF 1x7x65	
22	1	602107-99-0	FJÄDER 1.2x 8x 30	
23	1	308995-99-0	WIRE 935 BROMSFRIG CH2k	
24	1	601388-99-0	SKRUV MF6S 5x12 fzb	

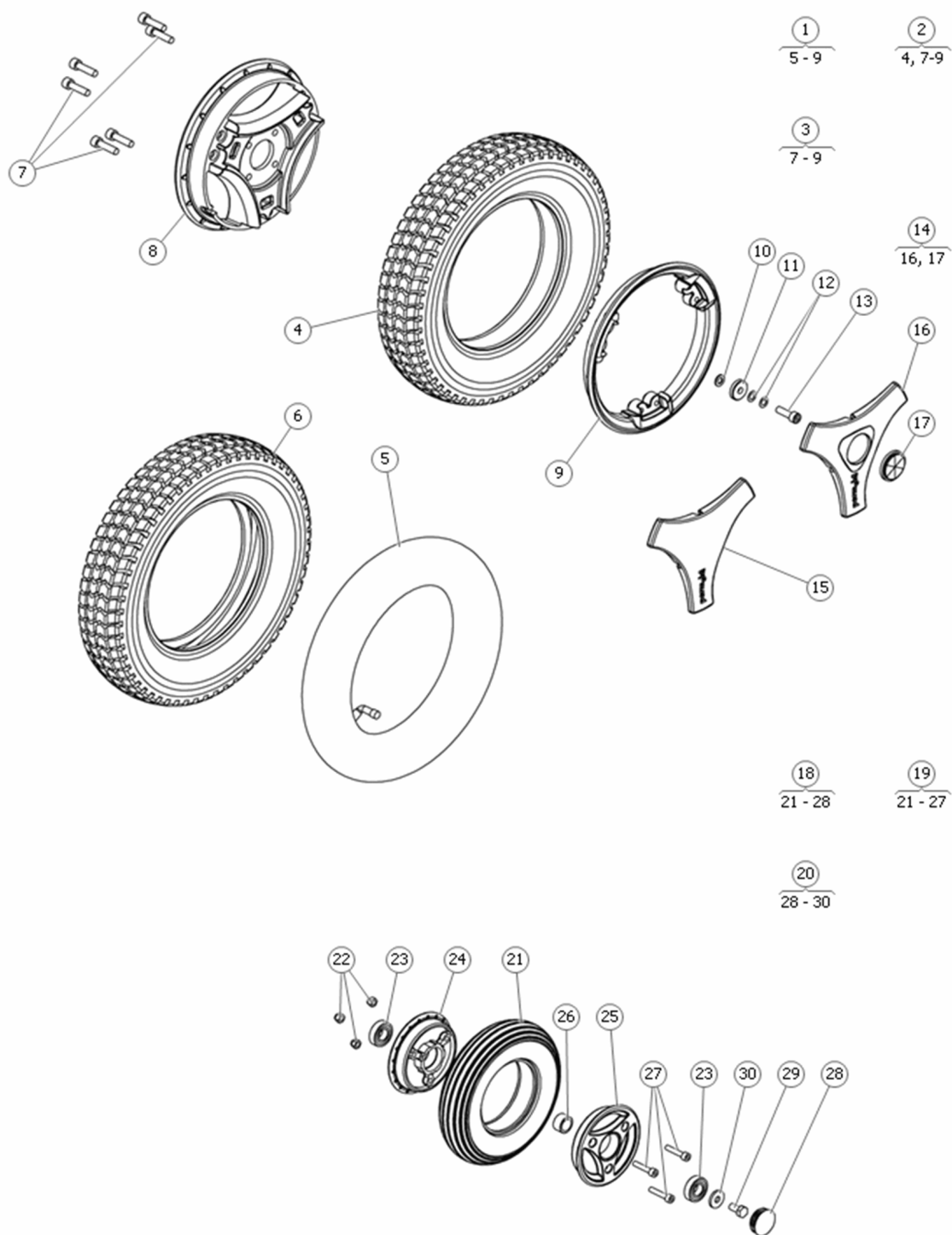


Pos	Qty	Stock Code	Description	Remark
1	1		DRIVING UNIT, RIGHT	
2	1		DRIVING UNIT, LEFT	
3	1	310257-99-0	MAGNETBROMS D.PAKET V.2	
4	1	1822435	NAV DRIVMOTOR Ø22x28,5	
5	1	1822726	DRIV MOT/VÅX 7,5 KM/H HÖ	
6	1	307805-00-0	PLASTPL BROMS KO	
7	1		STICKER	
8	1		BRAKE	
9	1		RUBBER RING 69.57x1.78 EPDM MAGNETIC WHEEL LOCK	
10	1	307789-99-0	BROMSLAMELL MSs90 CH8 KO	
11	1		HUB	
12	1	307804-00-0	GUMMISKYDD MAGNETBROMS KO	
13	1	1821250	BR 8,4x 15x 1,5 NYLON	
14	1		HUB	
15	1	600203-99-0	SKRUV MC6S 8x 20 fzb	
16	1	612513-99-0	BR 8.4x26x5 HB 305 GUL	
17	1	612531-99-0	BR DB 8x14x0,5 DIN 988 A2	
18	1	612512-99-0	SKRUV MC6S 8x 25 fzb ESL	
19	1	601410-99-0	SKRUV M6S 8x 25 fzb	
20	1	600239-99-0	BR BRB 8.4x16x1.6 fzb	
21	1	600855-99-0	KIL RK 6x 6x22 DRIVAXEL	
22	1	600189-99-0	SKRUV MC6S 5x10 fzb	
23	1	306963-99-0	FÄSTE VAJER BROMSFRIG/a	
24	1	1822727	DRIV MOT/VÅX 7,5 KM/H VÄ	



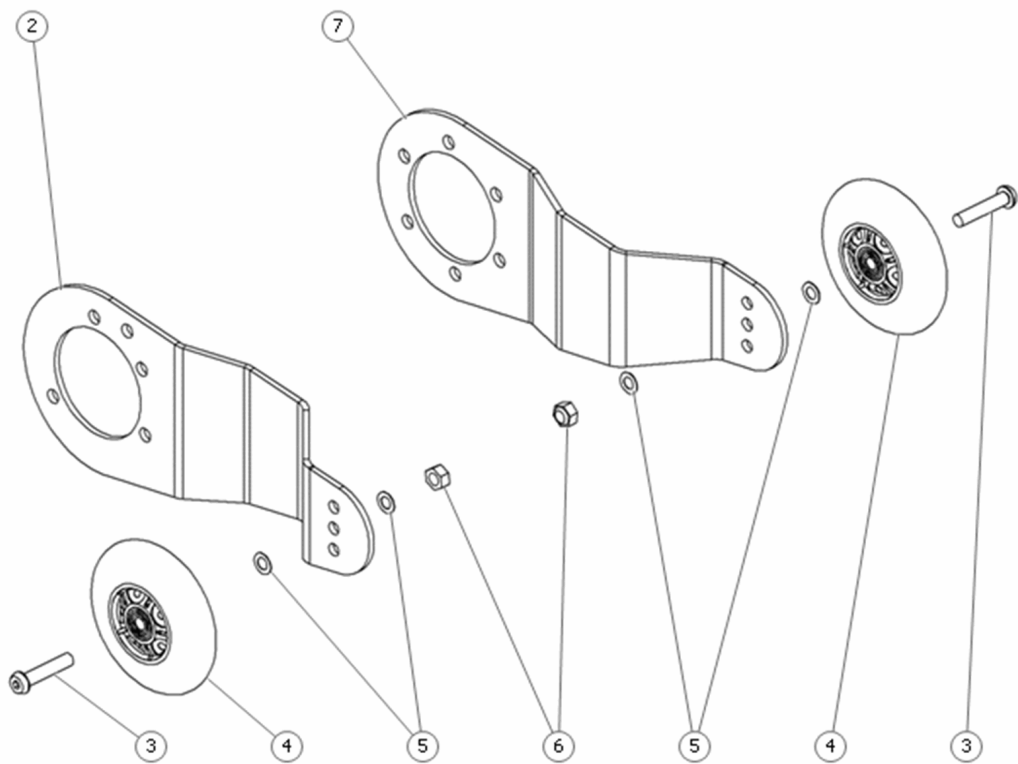


Pos	Qty	Stock Code	Description	Remark
1	1	1823605	Stötdämpare C400 par	A pair.
2	1		BOLT, ISO 4014 M6x40 fzb	
3	1	600238-99-0	BR BRB 6.4x12x1.6 fzb	
4	1	600227-99-0	LASMUTTER M 6 fzb	
5	1	1823623	STÖTDÄMPARE C400	
6	1	612675-99-0	WASHER, ISO 7093-1 6,4x18	
7	1		BRACKET	Right
8	1		BRACKET	Left
9	1		BOLT M6S 5x10 fzb	
10	1	600237-99-0	BR BRB 5.3x10x1 fzb STD	
11	1		BOLT M6S 10x100 fzb SKRUV M6S 10x100 fzb	
12	1	600241-99-0	BR BRB 10.5x20x2 fzb STD	
13	1	308938-99-0	BUSSNING LÄNKARM CH2k	
14	1		PLATE	
15	1	312872-99-2	DEKAL FÄSTKROK	
16	1		SLEWING BRACKET	
17	1	312871-99-1	DEKAL FÄSTKROK	
18	1		SLEWING BRACKET	
19	1		VELCRO TAPE	
20	1		SKRUV ISO 7380 M5x6 *	
21	1		PLATE	
22	1		PLASTIC PLUG	



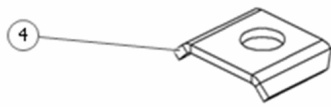
Pos	Qty	Stock Code	Description	Remark
1	1	1825253	HJUL 2.50x8 LUFT 3-EKRAD	
2	1	1822979	HJUL 2.50- 8" SOLID 3-EKR	
3	1	1822232	FÄLG 1.50x8" 3-EKRAD	
4	1	1822983	DÄCK 2.50- 8" SOLID	
5	1	602229-99-0	SLANG 2.50- 8" FRAM	
6	1	602228-08-0	DÄCK 2.50- 8"FRAM KO EN	
7	1	601075-99-0	SKRUV MC6S 8x 30 fzb ESL	
8	1		RIM INNER	
9	1		RIM OUTER	
10	1	1821250	BR 8,4x 15x 1,5 NYLON	
11	1	612513-99-0	BR 8.4x26x5 HB 305 GUL	
12	1	612531-99-0	BR DB 8x14x0,5 DIN 988 A2	
13	1	612512-99-0	SKRUV MC6S 8x 25 fzb ESL	
14	1	1822231	NAVKAPSEL C300/K300 SVART	Black onyx
14	1	1822266	NAVKAPSEL C300/K300	Silver metallic
14	1	1827959	NAVKAPSEL C300/K300 BLA	Cobolt blue
14	1	1827961	NAVKAPSEL C300/K300 LILA	Deep purple
14	1	1827962	NAVKAPSEL C300/K300 GRÄ	Phantom Gray
14	1	1827963	NAVKAPSEL C300/K300 RÖD	Vulcano red
15	1		HUB CAP, BLACK ONYX	Black onyx
15	1	1826999	NAVKAPSEL SILVER 3-EKRAD	Silver metallic
15	1	1827964	NAVKAPSEL 3-EKRAD KOBOLT-	Cobolt blue
15	1	1827965	NAVKAPSEL 3-EKRAD GRÄ	Phantom Gray. A pair.
15	1	1827966	NAVKAPSEL 3-EKRAD RÖD	Vulcano red. A pair.
15	1	1828995	NAVKAPSEL 3-EKRAD COBOLT	Cobolt blue. A pair.
15	1	1828996	NAVKAPSEL 3-EKRAD MÖRK	Deep purple. A pair.
15	1	1828997	NAVKAPSEL 3-EKRAD GRÄ	Phantom Gray
15	1	1828997	NAVKAPSEL 3-EKRAD GRÄ	Deep purple
15	1	1828999	NAVKAPSEL 3-EKRAD VULKAN	Vulcano red
15	1		HUB CAP	
16	1		HUB CAP PLASTIC	
17	1	1820324	REFLEX SIDA STR	
18	1	1822969	HJUL 200x50 SOLID 3-EKRAR	
19	1		WHEEL 200x50 SOLID 3-SPOKE	
20	1	1825083	SKRUVSATS PIVOTHJUL	
21	1	601755-08-0	DÄCK 200x50 MASSIV SLANG	
22	1	1821261	LÄSMUTTER M6 HÖG fzb	
23	1	600752-99-0	KULLAGER 6002-2RS1	
24	1		RIM INNER 200x50	
25	1		RIM OUTER 200x50	
26	1		SPACER	
27	1	600196-99-0	SKRUV MC6S 6x 30 fzb	
28	1	601068-00-0	PLASTPL SFL 35	
29	1	602124-99-0	SKRUV M6S 8x 16 fzb ESL	
30	1	305390-99-0	BR 8.5x23x3 fzb	

①  
2-7



Pos	Qty	Stock Code	Description	Remark
1	1	1830179	STÖDHJULSSATS C400 FL	
2	1		BRACKET	Right
3	1		SCREW ISO 7380, M8x40 10.9 Fe/Zn	
4	1	1822017	HJUL STÖDHJUL 100x24	
5	1	612531-99-0	BR DB 8x14x0,5 DIN 988 A2	
6	1	600228-99-0	LÅSMUTTER M 8 fzb	
7	1		BRACKET	Left

①  
2-8



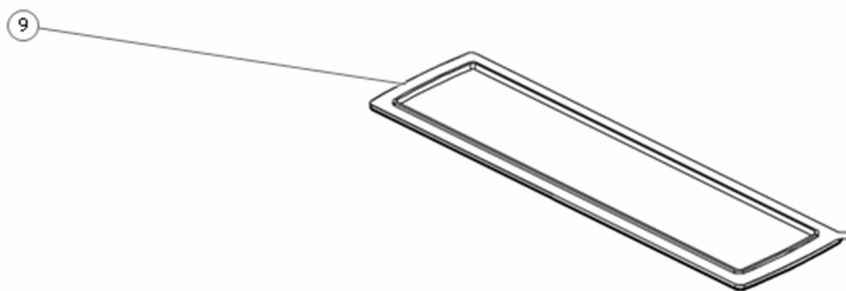
⑥



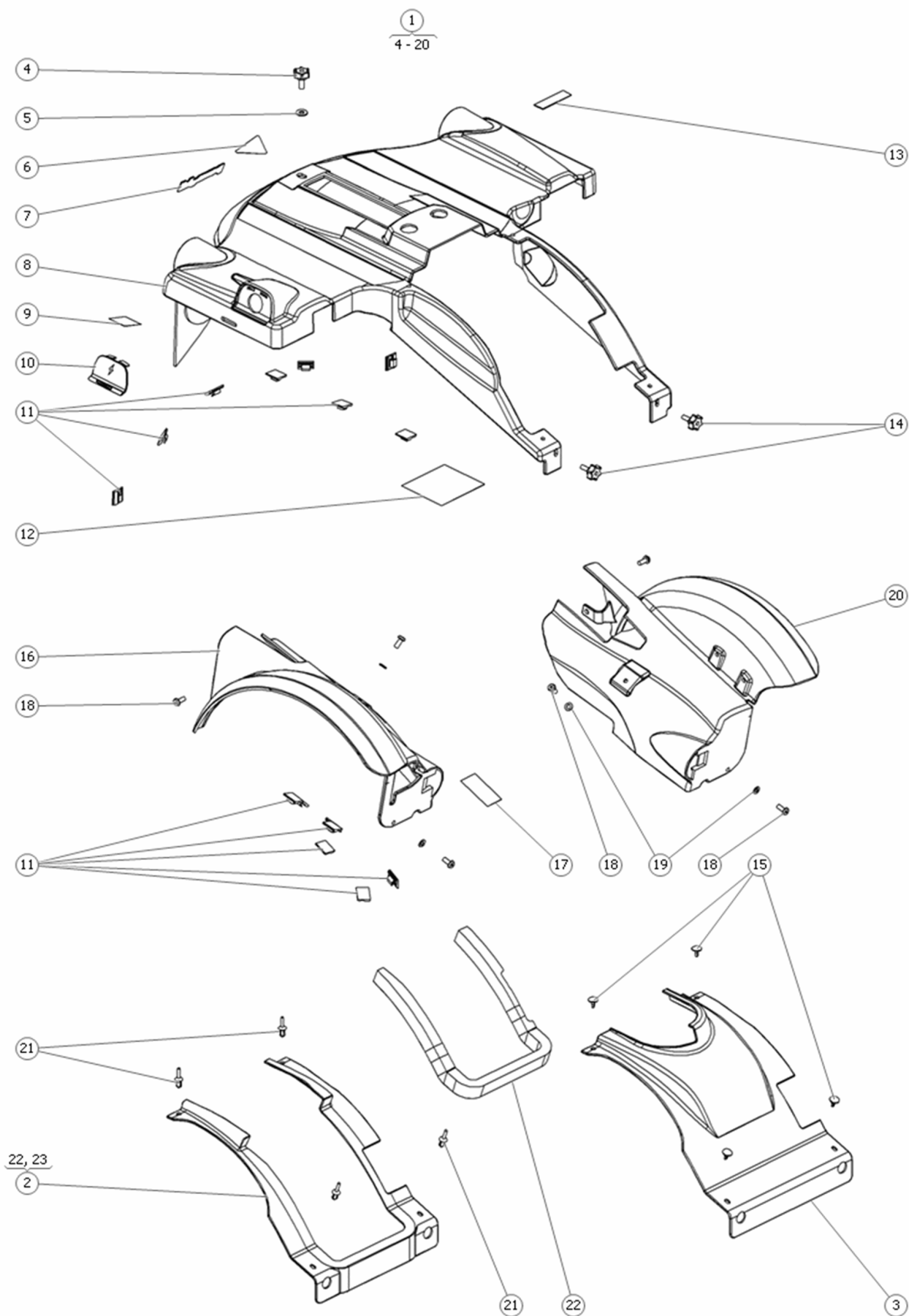
⑦



⑧

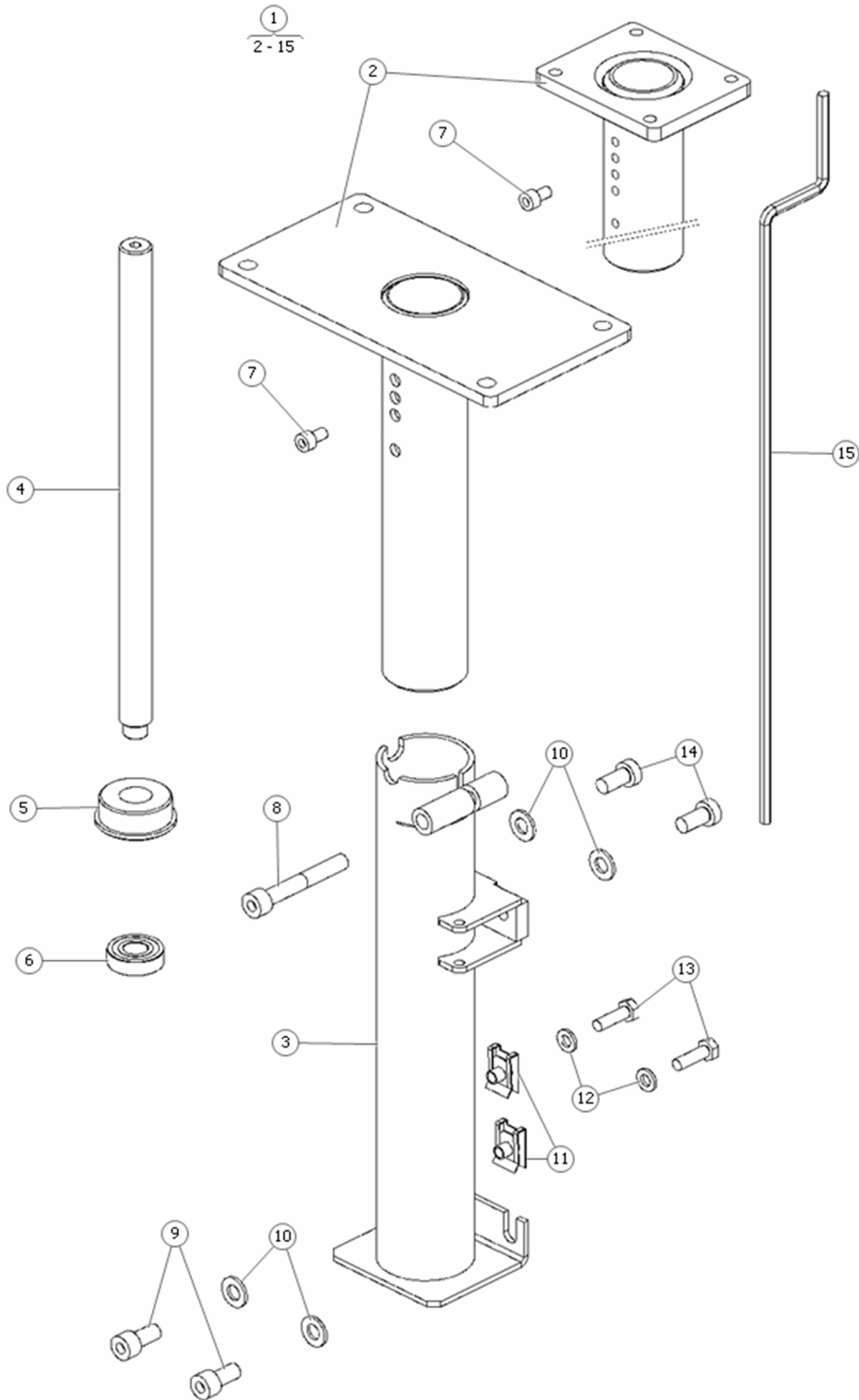


Pos	Qty	Stock Code	Description	Remark
1	1	1830189	SITSSTÖDSSATAS C400/C500	
2	1	1830245	SITSSTÖD GUMMI LOWRIDER	
3	1		SPACER	
4	1		WASHER	
5	1		NUT	
6	1		SPACER	
7	1		SPACER	
8	1		SPACER	
9	1	1830187	LOCK SITSSTÖD C400/C500	Incl. adhesive



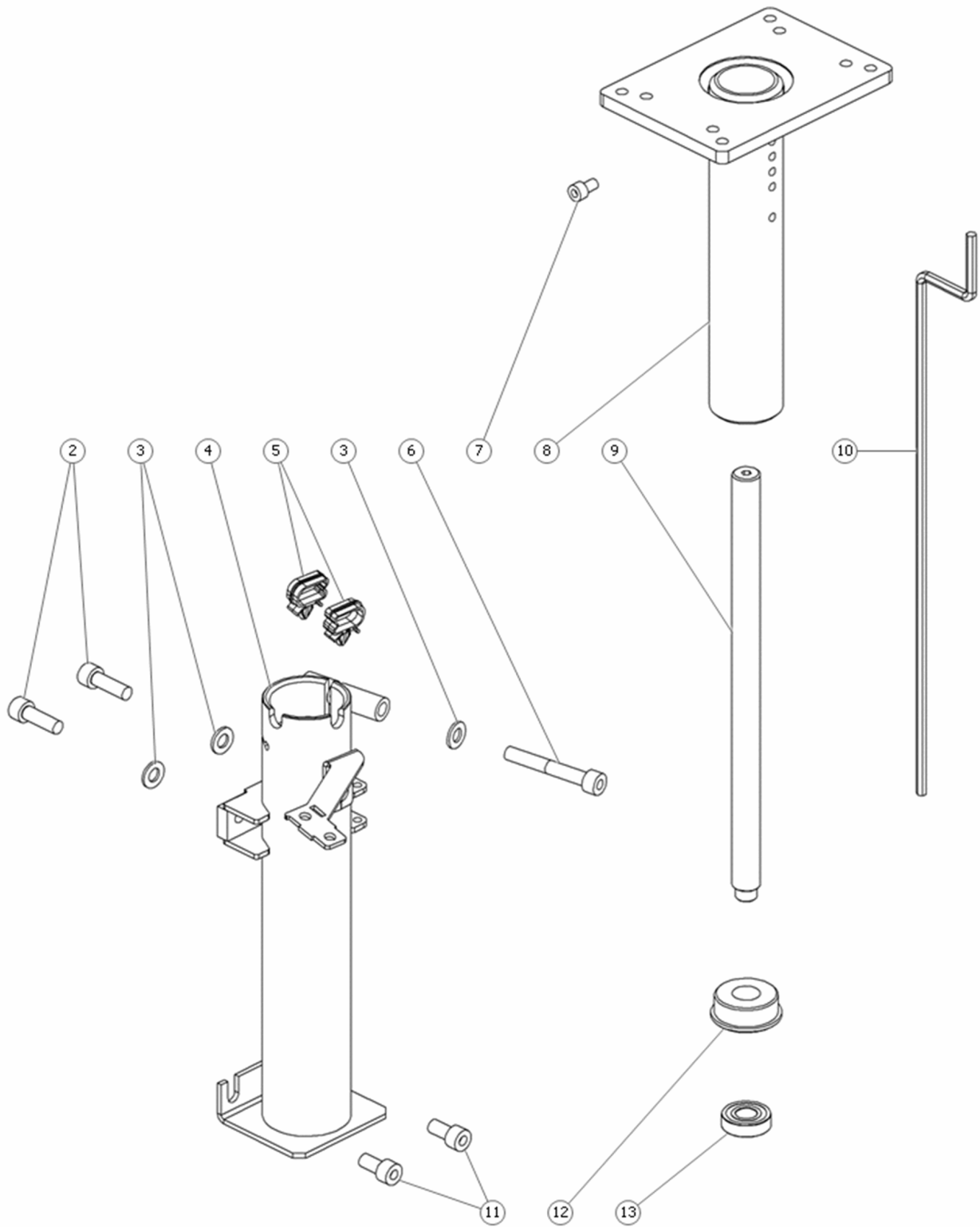


Pos	Qty	Stock Code	Description	Remark
1	1	1830214	KÅPSATS C400 LILA DEEP	Deep purple
1	1	1830215	KÅPSATS C400 GRÅ PHANTOM	Phantom gray
1	1	1830216	KÅPSATS C400 SILVER	Platinum silver
1	1	1830217	KÅPSATS C400 RÖD VOLCANO	Vulcano red
1	1	1830218	KÅPSATS C400 SVART ONYX	Black onyx
1	1	1830219	KÅPSATS C400 BLÅ COBOLT	Cobolt blue
2	1	1830186	KÅPA FRAM C400/C500 VS	
3	1	1830185	KÅPA FRAM C400/C500	
4	1		LOCK HANDLE	
5	1	601364-99-0	BR BRB 6.4x14x1.5 fzb	
6	1	313891-99-0	DEKAL SITSLU VARNING C4,	Tilt varning
7	1	1828133	DEKAL PERMOBIL	"Permobil"
8	1		COVER	
9	1	1824344	DEKAL "LADDARE 10A"	"Charger 10A"
10	1		LID	
11	1	602615-99-0	BUNTBANDSFÄSTE ACC19-A-C	
12	1		STICKER	Settings
13	1	308642-99-0	DEKAL HUVUDSÅKRING TR	Circuit breaker
14	1		LOCK HANDLE	
15	1	601158-99-0	SNABBFÄSTKLÄMMA	
16	1		COVER	
17	1	313848-99-0	DEKAL BROMSFR. C4-500	Brake release
18	1	601159-99-0	SKRUV K6S 5x12 fzb	
19	1	600237-99-0	BR BRB 5.3x10x1 fzb STD	
20	1		COVER	
21	1		BLIND RIVET	
22	1		PINCH GUARD	

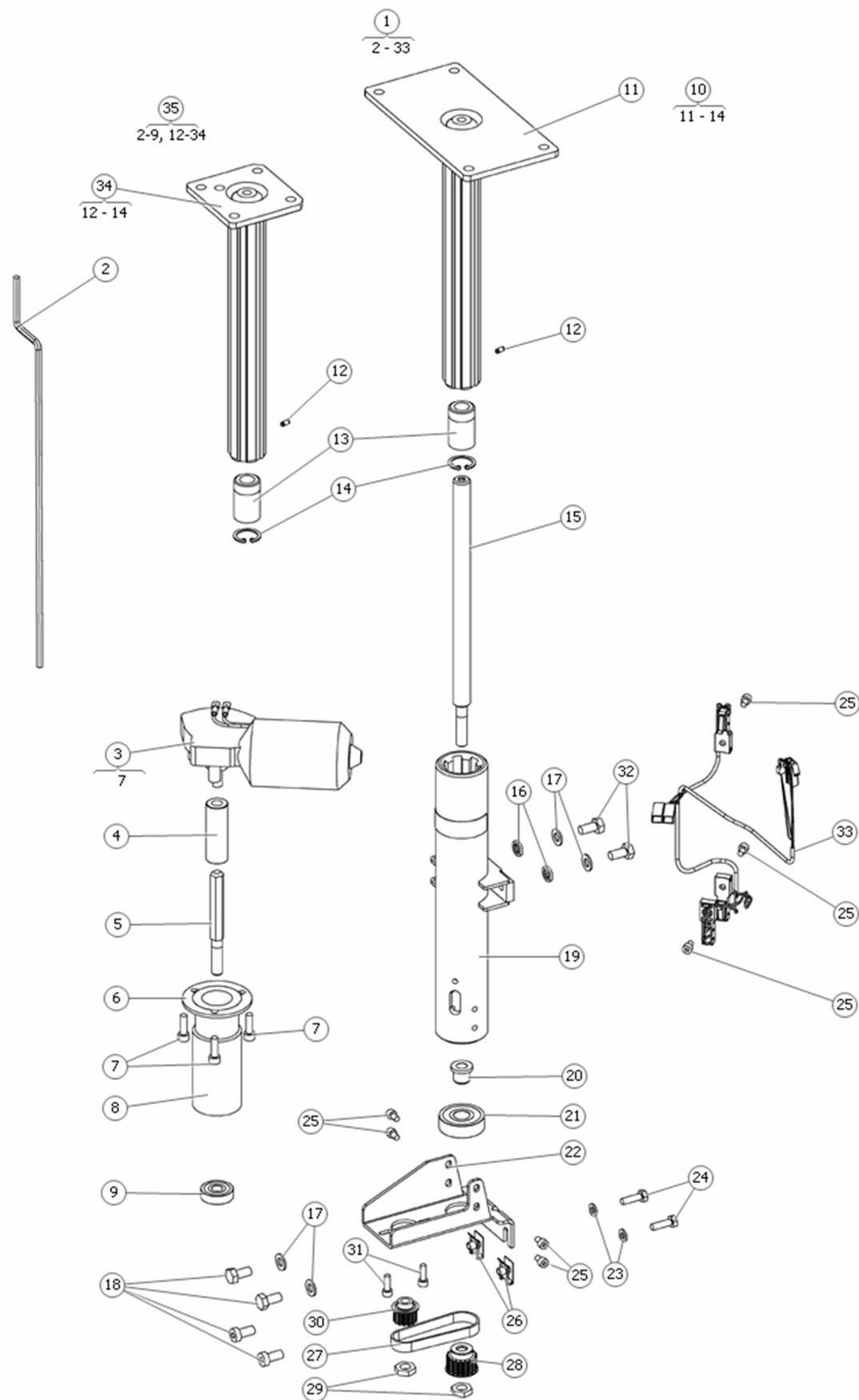


Pos	Qty	Stock Code	Description	Remark
1	1	1821778	SITSRÖR FAST C4,500	
1	1	1826959	SITSRÖR FAST C400/500	
1	1	308732-99-0	SITSRÖR FAST CH CH2k	
2	1	1826960	INRE SITSRÖR FAST C4/500	
2	1		Inner tube	
3	1		OUTER TUBE	
4	1		SCREW SEAT TUBE FIXED	
5	1		BUSHING SEAT TUBE FIXED	
6	1	600037-99-0	KULLAGER 6001-2RS1	
7	1	600888-99-0	SKRUV MC6S 6x 10 fzb	
8	1	601157-99-0	SKRUV MC6S 8x 55 fzb	
9	1	600590-99-0	SKRUV MC6S 8x 16 fzb	
10	1	600239-99-0	BR BRB 8.4x16x1.6 fzb	
11	1	603061-99-0	MUTTER FJÄDERM NUT955 M6	
12	1	600238-99-0	BR BRB 6.4x12x1.6 fzb	
13	1	600222-99-0	SKRUV M6S 6x 20 fzb	
14	1		SCREW, DIN 7984 M8x16 fzb	
15	1	303668-99-0	SITSLYFTSNYCKEL	

①  
2-13

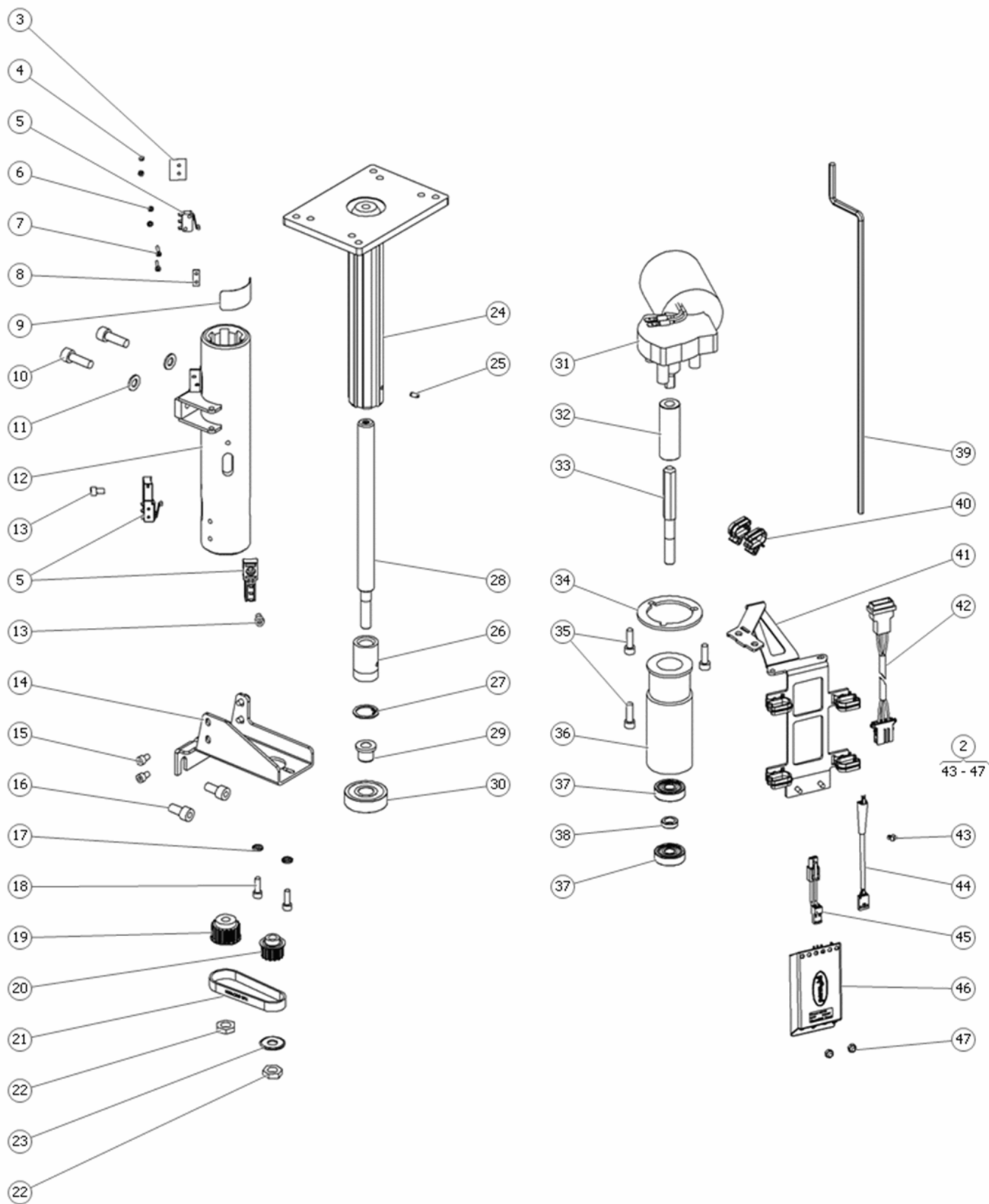


Pos	Qty	Stock Code	Description	Remark
1	1	1830182	SITSRÖR FAST C3G	
2	1	600499-99-0	SKRUV MC6S 8x 25 fzb	
3	1	600239-99-0	BR BRB 8.4x16x1.6 fzb	
4	1		OUTER TUBE	
5	1	612953-00-0	KABELFÄSTE 20x10x28 PA	
6	1	601157-99-0	SKRUV MC6S 8x 55 fzb	
7	1	600888-99-0	SKRUV MC6S 6x 10 fzb	
8	1		INNER TUBE	
9	1		SCREW	
10	1	303668-99-0	SITSLYFTSNYCKEL	
11	1	600590-99-0	SKRUV MC6S 8x 16 fzb	
12	1		BUSH	
13	1	600037-99-0	KULLAGER 6001-2RS1	



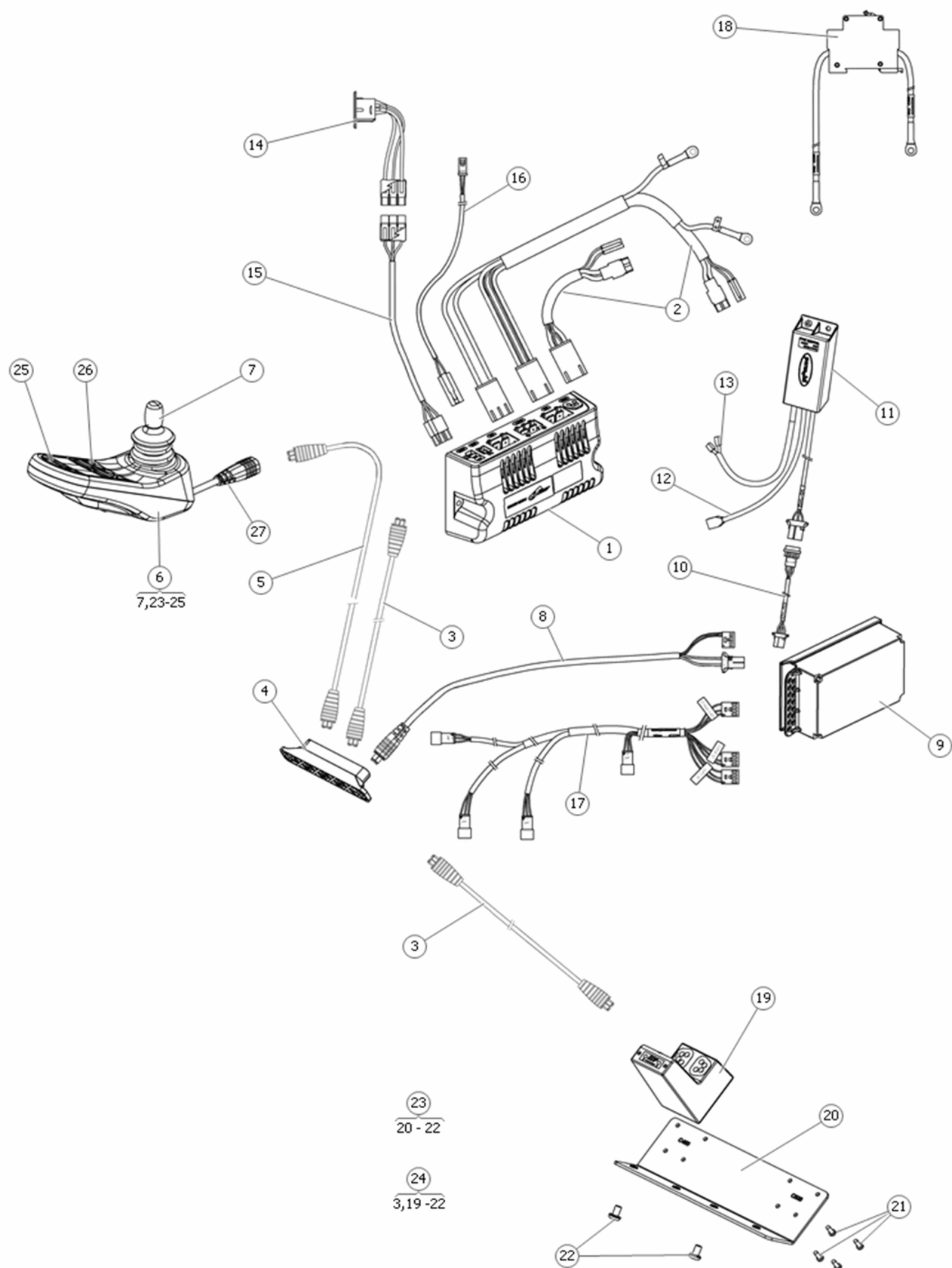
Pos	Qty	Stock Code	Description	Remark
1	1	312402-99-0	SITSLYFT V.3 CH CHP+ CH2K	STD V.3
2	1	303668-99-0	SITSLYFTSNYCKEL	
3	1	1820425	MOTOR SITSLYFT C300	
4	1	1830072	HYLSA SITSLYFT	
4	1	1830072	HYLSA SITSLYFT	
4	1	309087-99-0	MELLANHYLSA SITSLYFT CH/e	
5	1		SCREW	
6	1		PLATE	
7	1	600194-99-0	SKRUV MC6S 6x 20 fzb	
8	1		SOCKET	
9	1		BALL BEAR 6200-1RS1 SEAT ELEVATOR	
10	1	302280-99-0	I.RÖR SITSLYFT V.2	
11	1		INNER TUBE	
12	1		SPRING PIN ISO 8750 4x8	
13	1		NUT	
14	1		CIRCLIP, DIN 472 Ø24	
15	1		SCREW	
16	1	601173-99-0	BR IZ 8.4x15x0.8 fzb	
17	1	600239-99-0	BR BRB 8.4x16x1.6 fzb	
18	1	602124-99-0	SKRUV M6S 8x 16 fzb ESL	Part 602124-99-0 is a hex head bolt- the socket head...
19	1	312511-99-0	YTERRÖR SITSLYFT HEXII/a	
20	1		SOCKET	
21	1	600709-99-0	KULLAGER 6302-2RS1	
22	1	308414-99-0	FÄSTVINKEL SITSLYFT CH	
23	1	600238-99-0	BR BRB 6.4x12x1.6 fzb	
24	1	600222-99-0	SKRUV M6S 6x 20 fzb	
25	1	600188-99-0	SKRUV MC6S 5x 8 fzb	
26	1	603061-99-0	MUTTER FJÄDERM NUT955 M6	
27	1	600892-99-0	TANDREM SITSLYFT	
28	1		TIMING BELT PULLEY	
29	1		NUT ML6M 10 fzb *	
30	1		TIMING BELT PULLEY	
31	1	601165-99-0	SKRUV MC6S 5x16 fzb	
32	1		SCREW, DIN 7984 M8x16 fzb	612807-99-0 is a low head SHCS- you will not receive...
33	1	311195-99-0	KABL SITSLYFT	
34	1		Inner tube	
35	1	1825842	SITSLYFTC400/C500 C 3G	

1  
3 - 47

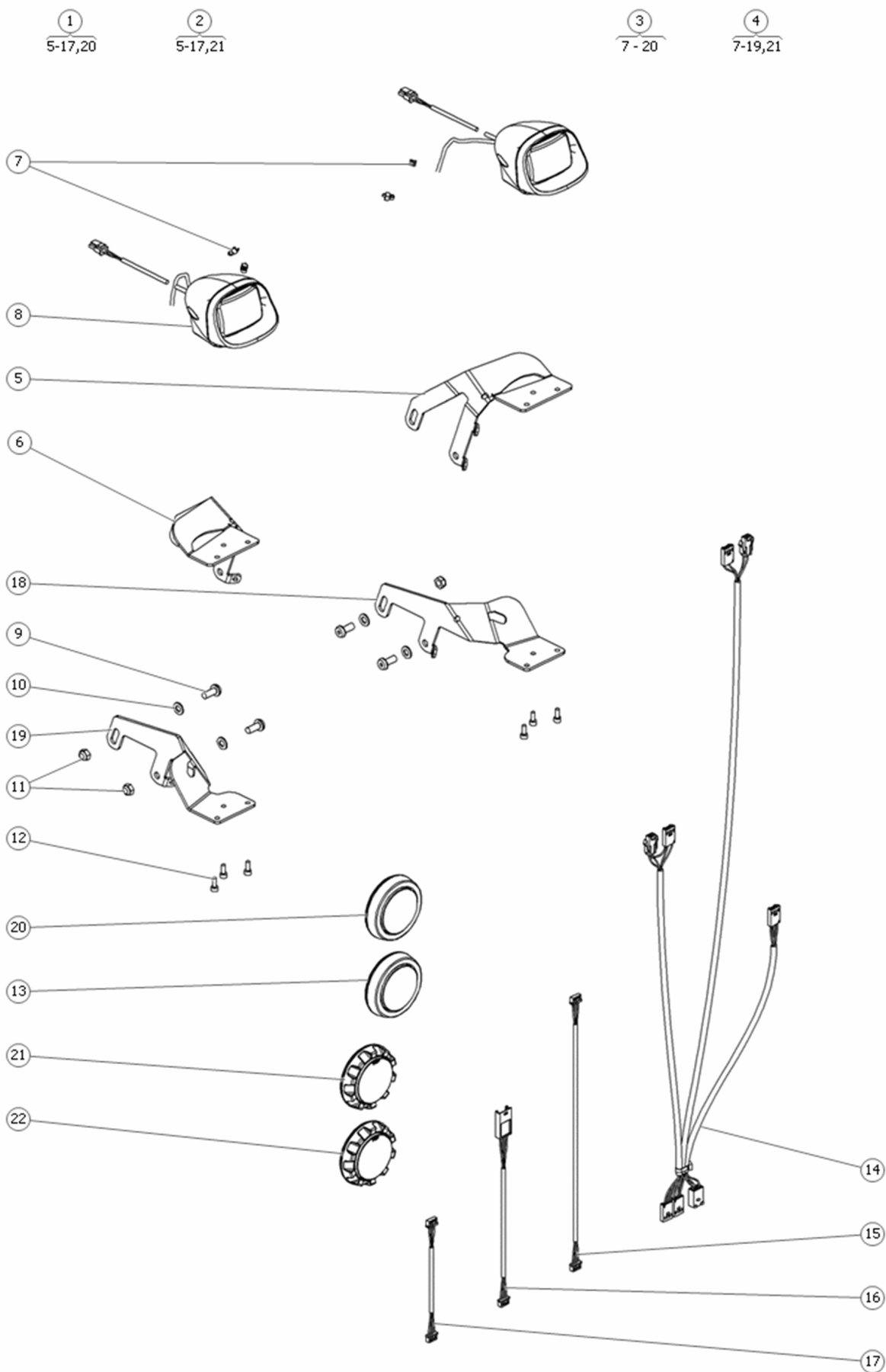




Pos	Qty	Stock Code	Description	Remark
1	1	1830184	SITSLYFT C3G LOWRIDER	
2	1	1827663	KABL.SATS SITSLYFT R-NET	
3	1		WASHER	
4	1	600594-99-0	MUTTER M6M 2.3 fzb	
5	1	1824725	KABL.SATS SITSLY . -50,-60	Cable with switches
6	1		WASH AZ 2.5x5x0.4 fzb BR AZ 2.5x 5x0.4 fzb	
7	1		BOLT MRX-H M2.3x14 fzb	
8	1	307619-99-0	BR 6x18x0.7 M.SWITCH/a	
9	1		STICKER	
10	1	600499-99-0	SKRUV MC6S 8x 25 fzb	
11	1	600239-99-0	BR BRB 8.4x16x1.6 fzb	
12	1		OUTER TUBE	
13	1	600188-99-0	SKRUV MC6S 5x 8 fzb	
14	1	308414-99-0	FÄSTVINKEL SITSLYFT CH	
15	1	600188-99-0	SKRUV MC6S 5x 8 fzb	
16	1	600590-99-0	SKRUV MC6S 8x 16 fzb	
17	1		SERRATED LOCK WASHER DIN 6798A	
18	1	601165-99-0	SKRUV MC6S 5x16 fzb	
19	1		WHEEL	
20	1		WHEEL	
21	1	600892-99-0	TANDREM SITSLYFT	
22	1		NUT ML6M 10 fzb *	
23	1		WASHER	
24	1		INNER TUBE	
25	1		SPRING PIN ISO 8750 4x8	
26	1		NUT	
27	1		CIRCLIP INTERNAL	
28	1		SCREW	
29	1		SOCKET	
30	1	600709-99-0	KULLAGER 6302-2RS1	
31	1	1820425	MOTOR SITSLYFT C300	
32	1	1830072	HYLSA SITSLYFT	
33	1		SCREW	
34	1		PLATE	
35	1	600194-99-0	SKRUV MC6S 6x 20 fzb	
36	1		SOCKET	
37	1		BALL BEARING	
38	1		SOCKET	
39	1	303668-99-0	SITSLYFTSNYCKEL	
40	1	612953-00-0	KABELFÄSTE 20x10x28 PA	
41	1		HOLDER	
42	1	1821533	KABL BUSS FÖRLÄNGN 0,5M	
43	1	600136-00-0	BUNTBAND TY23MX 92x2.4mm	
44	1	1823170	KABL ADAPT SITSLYFT-ICS	
45	1	306853-00-0	KABL ADAPTER SITSLYFT	
46	1		GENERAL MODULE	
47	1	600225-99-0	LASMUTTER M 4 fzb	



Pos	Qty	Stock Code	Description	Remark
1	1	1825774	ELEKTRONIK R-NET PM90	Replacement for PM80A
1	1	1825774	ELEKTRONIK R-NET PM90	
2	1	309084-00-0	KABL NEDRE CH2k	
3	1	1821538	KABL BUSS R-NET 0,5 M	
4	1	1821537	ANSL.BOX 4 UTTAG R-NET	
5	1	1821526	KABL ÖVRE 2,5M R-NET	
5	1	1821538	KABL BUSS R-NET 0,5 M	
5	1	1823977	KABL R-NET 3,5M	
5	1	1824291	KABL BUSS R-NET 1500mm	
5	1		1	
5	1	1828192	KABL BUS R-NET 1000mm	
6	1	1822389	M.PANEL R-NET JSM-L-SW	
6	1	1822390	M.PANEL VIPPARM R-NET JSM	
6	1	1825746	M.PANEL R-NET CJSM-L-SW	
6	1	1825758	M.PANEL R-NET JSM-LED	
6	1		R-NET COLOR JOYST MODULE LIGHTS SWITCH TOGGLES PER	
6	1		R-NET JSM SPD POT & TOGGL	
6	1		R-NET COLOR JOYST MODULE LIGHTS-SW-POT-TOGGLE PER	
6	1		R-NET COLOR JOYST MODULE LIGHTS-SW-POT PERMOBIL	
6	1		R-NET COLOR JOYST MODULE PERMOBIL	
6	1		R-NET JSM L W/ SPEED POT	
6	1		R-NET LED JOYSTICK MODULE WITH LIGHTS	
7	1	1823297	JOYST KNOPP P+,VSI,VR2	
8	1	1822821	KABL. ICS BUS R-NET 750mm	
9	1	1821535	KRETSK ICS MASTER MOD. R-	
10	1	1821533	KABL BUSS FÖRLÄNGN 0,5M	
10	1	1821827	KABL FÖRL. ICS 700MM	
11	1	1821382	ELEKTRONIK ICS SITSLYFT	
12	1	311060-00-0	LADDKONTAKT XLR	
13	1	1822823	KABL LADDKONTAKT R-NET	
14	1	1822370	KABL BROMSFRIG RNET 500mm	
15	1	1822820	KABL. LYSE ICS	
16	1	309085-00-0	KABL HUVUDSÄKRING CH2k	Mainfuse 63A
16	1	311276-99-0	SÄKRING INKL KABL CH2S	Mainfuse 80A
17	1	1822804	ESP MODUL R-NET	
18	1		ESP Bracket	
19	1	1824694	SKRUV TAPP 3x8 Fe/Zn 5 C1	
20	1	600740-99-0	SKRUV K6S 5x 8 fzb	
21	1	1825322	MONTERINGSSATS ESP R-NET	
22	1	1825041	ESP SATS R-NET C3/4/500	
23	1	1826509	KNAPPAR FRÄMRE JSM R-NET	For control panel 1822389 and 1825746
24	1	1826510	KNAPPAR BAKRE JSM R-NET	For control panel 1822389 and 1825746
25	1	1826820	CABLE R-NET JSM 700mm.	PLEASE CONTACT TECHNICAL SUPPORT FOR A..
26	1	1823170	KABL ADAPT SITSLYFT-ICS	
27	1	306853-00-0	KABL ADAPTER SITSLYFT	



Pos	Qty	Stock Code	Description	Remark
1	1	1830148	BELYSNINGSSATS R-NET INKL	With front turnsignal. Incl. 2x position 5, 4x position 13.
2	1	1830211	BELYSNINGSSATS R-NET INKL	With front reflector. Incl. 2x position 21, 4x position 13.
3	1	1830213	BELYSNINGSSATS R-NET INKL	Lowrider with front turnsignal. Incl. 2x position 5, 4x...
4	1	1830212	BELYSNINGSSATS R-NET INKL	Lowrider with front reflector. Incl. 2x position 21, 4x p..
5	1		BRACKET	
6	1		BRACKET	
7	1	600136-00-0	BUNTBAND TY23MX 92x2.4mm	
8	1	1826961	BELYSNING FRAM LED	
9	1	601159-99-0	SKRUV K6S 5x12 fzb	
10	1	600237-99-0	BR BRB 5.3x10x1 fzb STD	
11	1	600226-99-0	LÅSMUTTER M 5 fzb	
12	1		SCREW ISO 4762, M3x8 Fe/Zn	
13	1	1830147	LYSE/BLINKERS BAK LED	
14	1	1830150	KABLAGR LYSE C400 C500 FL	
15	1	1830151	KABLAGE ICS LYSE/BLINKERS	
16	1	1830149	KABLAGE LYSE/BLINKERS	
17	1	1830152	KABLAGE ICS LYSE/BLINKERS	
18	1		BRACKET	
19	1		BRACKET	
20	1	1830146	BLINKERS FRAM LED	
21	1	1826962	REFLEX VIT	
22	1	1826964	REFLEX RÖD	



## Ordering information

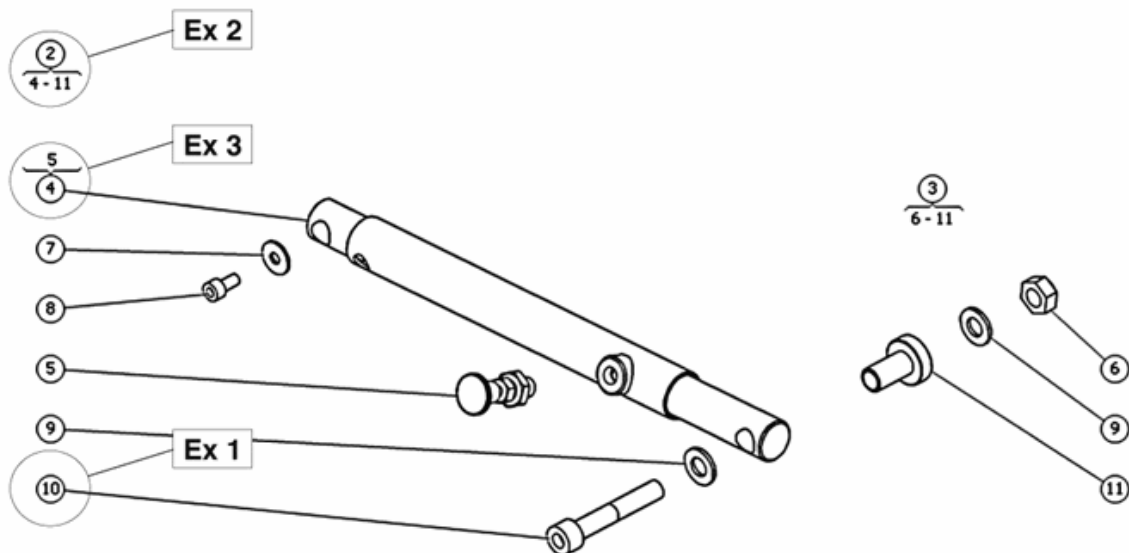
### When you order spare parts, the following must always be specified:

- The product model (for example, power wheelchair C300).
- The description of the part. Always use the description used in this catalog.
- The entire part number.
- The quantity.

**NB!** In some cases, parts appear in the spare part catalog without a part number. This means that the part cannot be ordered from Permobil. We have, however, chosen to describe it for your information. Standard components such as screws, nuts, washers and similar parts can be purchased in an ordinary shop using the information in this catalog.

## Parts

A part consists of one or more parts. If a part consists of several parts, a bracket in connection with the part's item bubble is used to show the parts included in the part in the exploded views. See examples 1, 2 and 3.



### Example 1:

Position 10 refers to a single part, a screw.

### Example 2:

Position 2 is a spare part consisting of the positions from 4 to 11.

### Example 3:

Position 4 is an article that also includes position 5. In these cases the article or articles which referred to in the bracket, are pre-assembled on the main article (position 4).





# Spare Parts Catalog

## CONTACT PERMOBIL:

**Permobil AB**

Box 120

861 23 Timrå

Sverige

Tel: 060-59 59 00

Fax: 060-57 52 50

E-post: [info@permobil.se](mailto:info@permobil.se)

**Permobil Inc. USA**

300 Duke Drive

Lebanon, TN 37090

USA

Phone: 800-736-0925

Fax: 800-231-3256

Email: [info@permobilusa.com](mailto:info@permobilusa.com)

**Permobil AS**

Industriveien 16

Postboks 60

1483 Hagan Norge

Tlf. 815 30 077

Fax. 815 33 655

E-post: [firmapost@permobil.no](mailto:firmapost@permobil.no)

**Permobil Benelux BV**

De Beitel 11

6466 GZ Kerkrade

Nederland

Tel: +31 (0)45 564 54 80

Fax: +31 (0)45 564 54 81

Email: [info@permobil.nl](mailto:info@permobil.nl)







**permobil**  
THE POWER OF MOBILITY