

SPARE PARTS CATALOG

C500 and C500S ***Including Lowrider***

Permobil power wheelchairs

permobil
THE POWER OF MOBILITY

Produced and published by Permobil AB, Sweden
Edition no. 1, 2014-02
PAB: **1289:1**

Important information

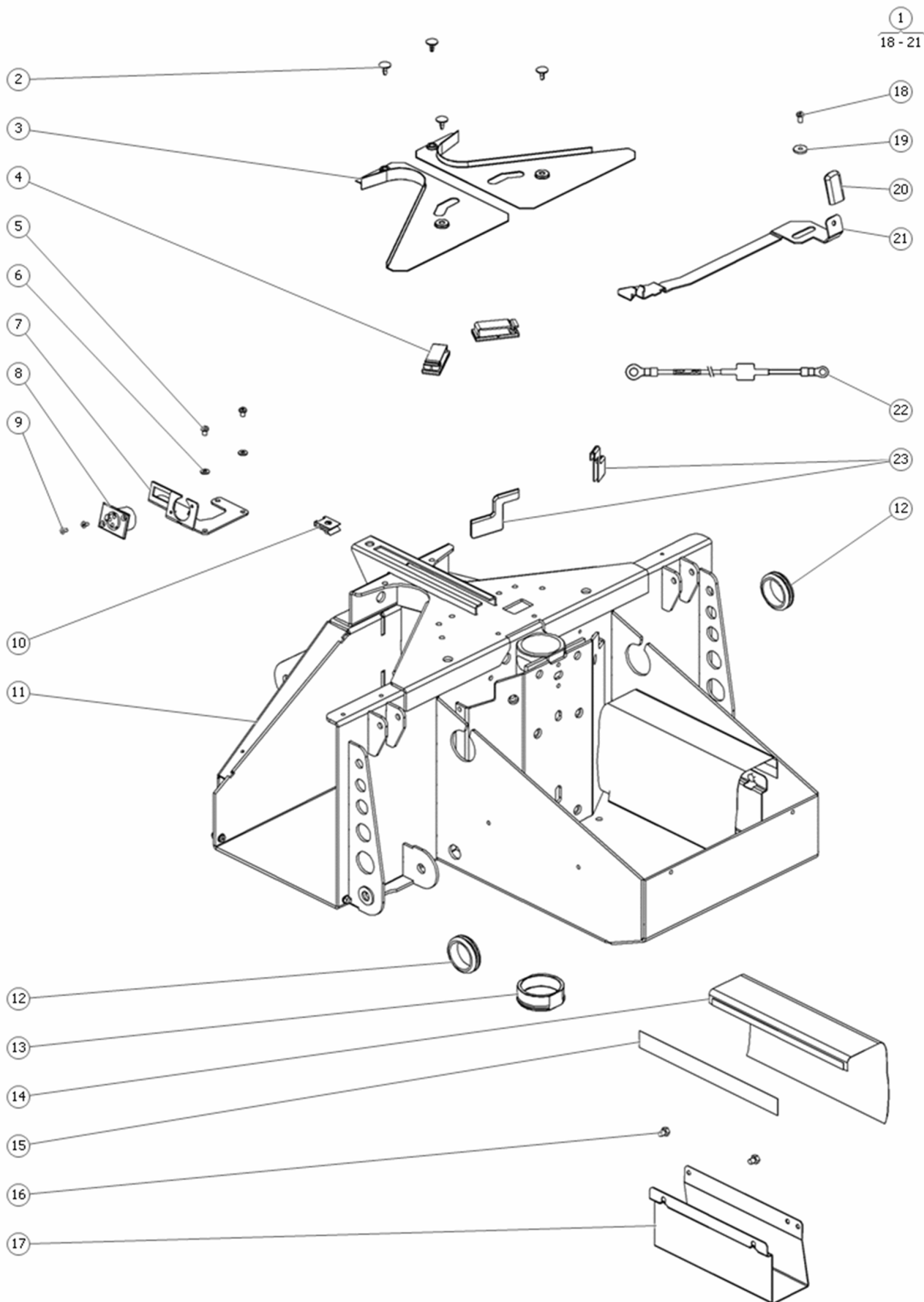
The contents of this parts catalog applies to:

- C500 chassis with serial number **45501971** and higher.
- C500S chassis with serial number **45702885** and higher.

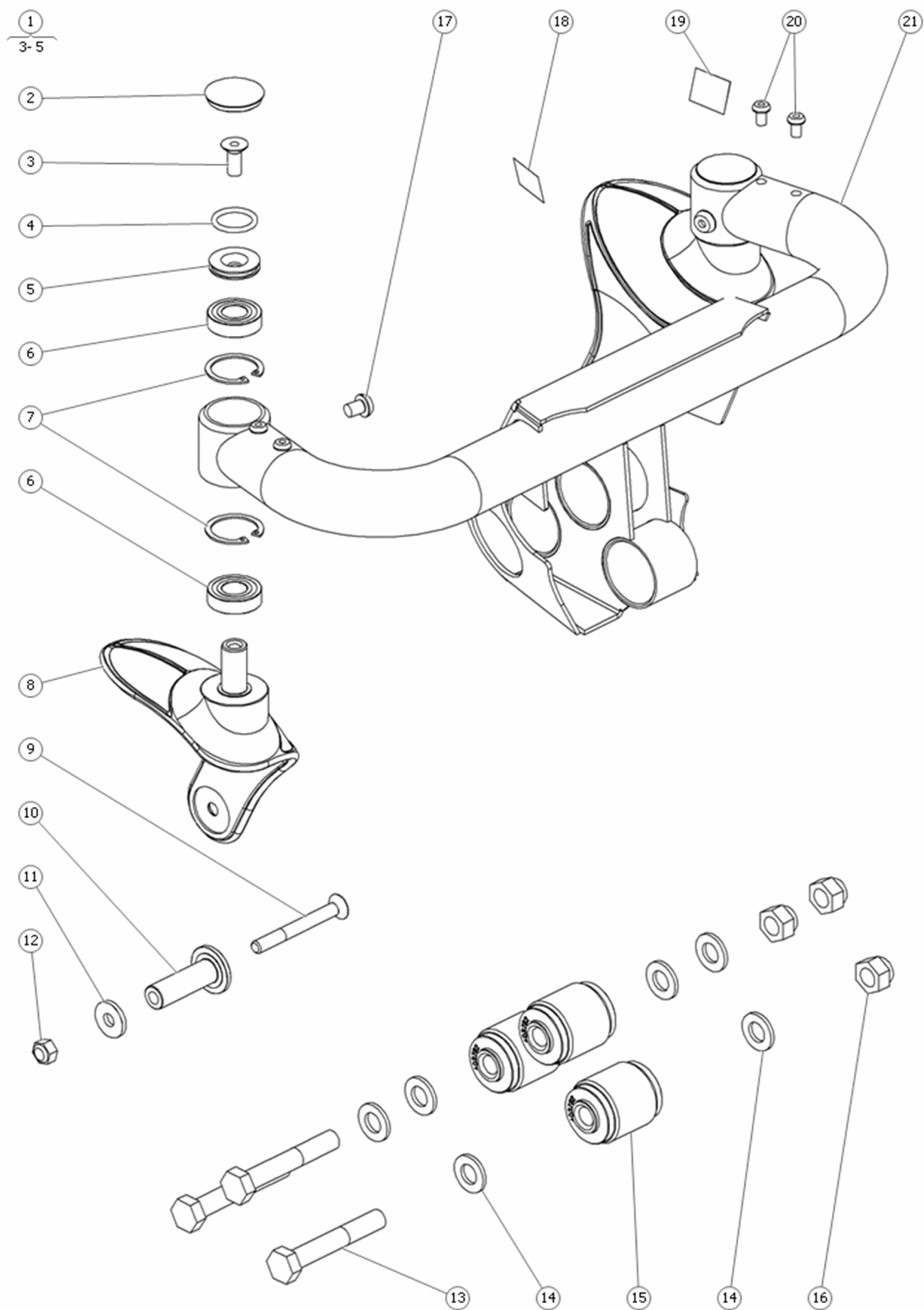
For chassis with serial numbers lower than these refer to the spare parts catalog "C500".

Contents

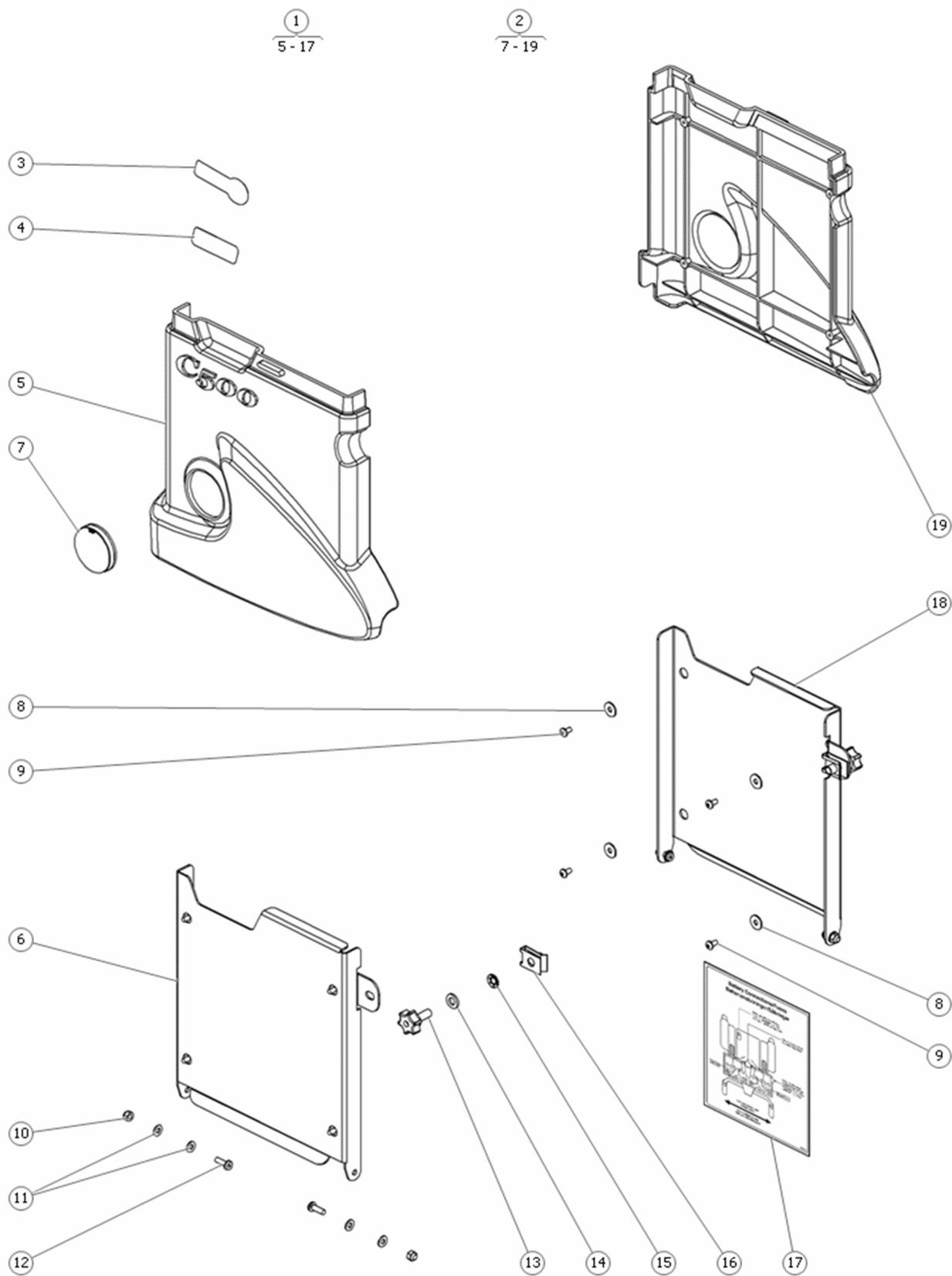
Chassis box
Rear wheel suspension
Battery covers
Brake release
Motor units.....
Front suspension
Wheels
Support wheels
Seat supports
Covers
Seat tube, fixed
Seat tube, fixed low
Seat elevator
Seat elevator, low
Seat elevator with 21 splines low
Electronics
Light and reflectors



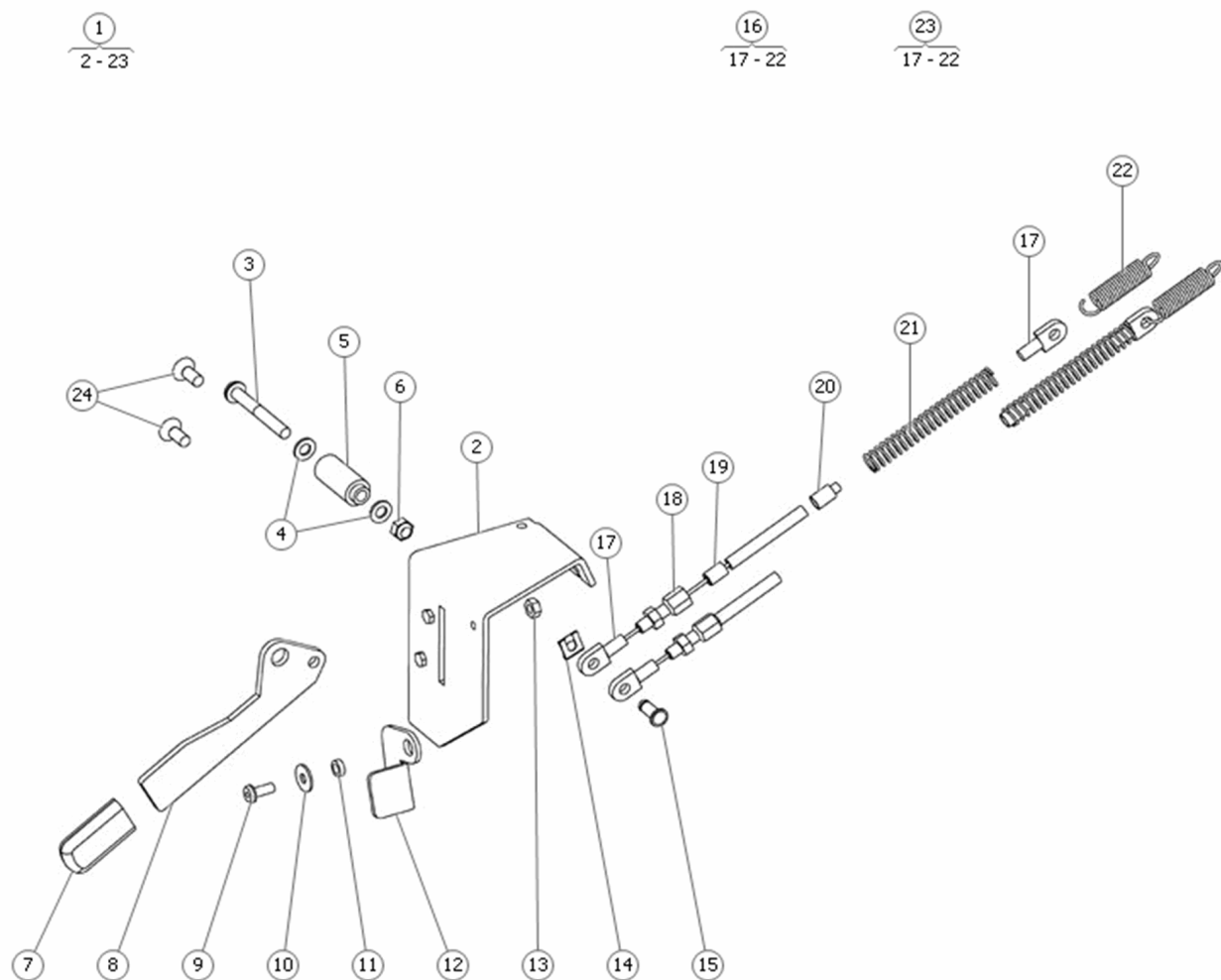
Pos	Qty	Stock Code	Description	Remark
1	1	1825306	ARM MAIN SWITCH	
2	1	601158-99-0	QUICK MOUNT CLAMP ARM/PROT.COVER SEAT ELEV	
3	1	313717-00-0	COVER BATTERYBOX C4,500 *	
4	1	614451	CABLE CLAMP	
5	1	601366-99-0	BOLT K6S 4x 6 fzb *	
6	1	601296-99-0	WASH BRB 4.3x 9x0.8 fzb STD	
7	1	313089-00-0	BRACKET CHARGER CONNECTOR C4,500	
8	1	311060-00-0	CHARGER CONNECTOR XLR	Incl. cable
9	1	601933-99-0	BOLT MFX-Z 3x5 fzb	
10	1	1821755	CLIP NUT	
11	1	322475	CHASSIE	
12	1	614445	GROMMET	
13	1	318742	COVER	
14	1	1825309	PROTECT	
15	1	318800	VELCRO TAPE	
16	1	602790-99-0	BOLT M6S 5*6 fzb ISO4014	
17	1	308932-99-0	BRACK.ELECTRONIC CH2k *	
18	1	601381-99-0	BOLT K6S 4x 8 fzb *	
19	1	314634	SPACER	
20	1	601823-00-0	PLAST KNOB RECT 4x16x30 LEVER BRAKE RELEASE	
21	1	314584	ARM	
22	1	311199-00-0	CABLE CONNECT CHASSI	
23	1	313841-00-0	CABLE PROTECT	



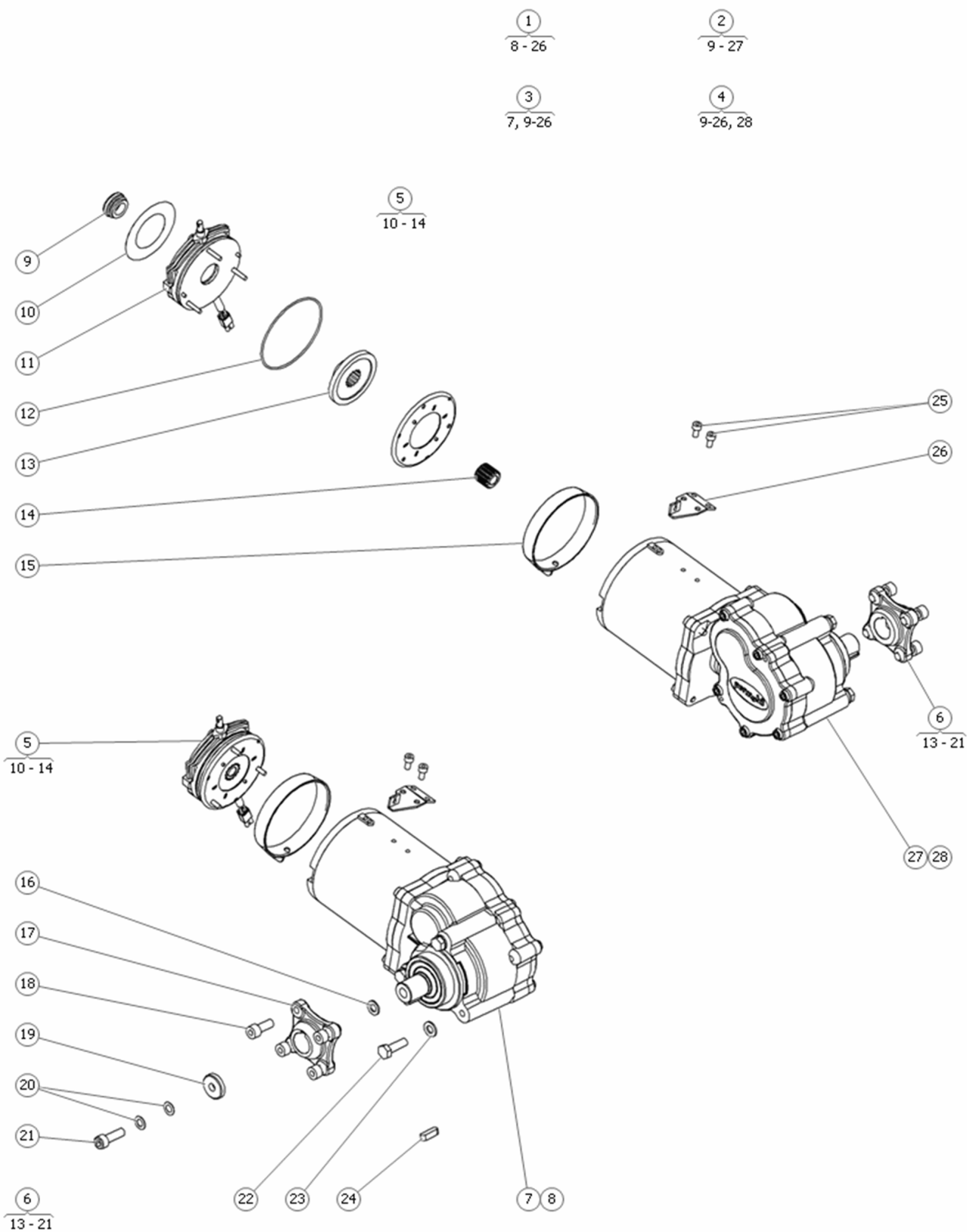
Pos	Qty	Stock Code	Description	Remark
1	1	1822628	FRICTION BRAKE KIT	Replacement for PM80A
2	1	311314-99-0	PL PLUG REAR WHEEL CH2K	
3	1	1820410	HEXAGON SOCKET COUNTERSUNK HEAD SCREW	
4	1	1820404	RUBBER RING	
5	1	1820403	PLATE	
6	1	600752-99-0	BALL BEAR 6002-2RS1 *	
7	1	600751-99-0	CIRCLIP SGH 32 *	
8	1	322497	WHEEL FORK	
8	1	322498	WHEEL FORK	
9	1	612738	SCREW ISO 10642, M8x70 10.9 Fe/Zn	
10	1	1820458	SOCKET WHEELFORK	
11	1	305390-99-0	WASH 8.5x23x3 fzb *	
12	1	600228-99-0	LOCK NUT M8 FZB *	
13	1	602781-99-0	BOLT M6S 12*75 fzb *	
14	1	602780-99-0	WASHER 24*13*2.5 *	
15	1	602782-99-0	BUSHING SING ARM CH2k *	
16	1	600688-99-0	LOCK NUT M12 FZB	
17	1	601953-99-0	BOLT K6S 8x10 fzb *	
18	1	312871-99-1	DECAL HOOK BRACKET *	
19	1	312872-99-2	DECAL HOOK BRACKET *	
20	1	600736-99-0	BOLT K6S 6x10 fzb *	
21	1	322501	SWING ARM	



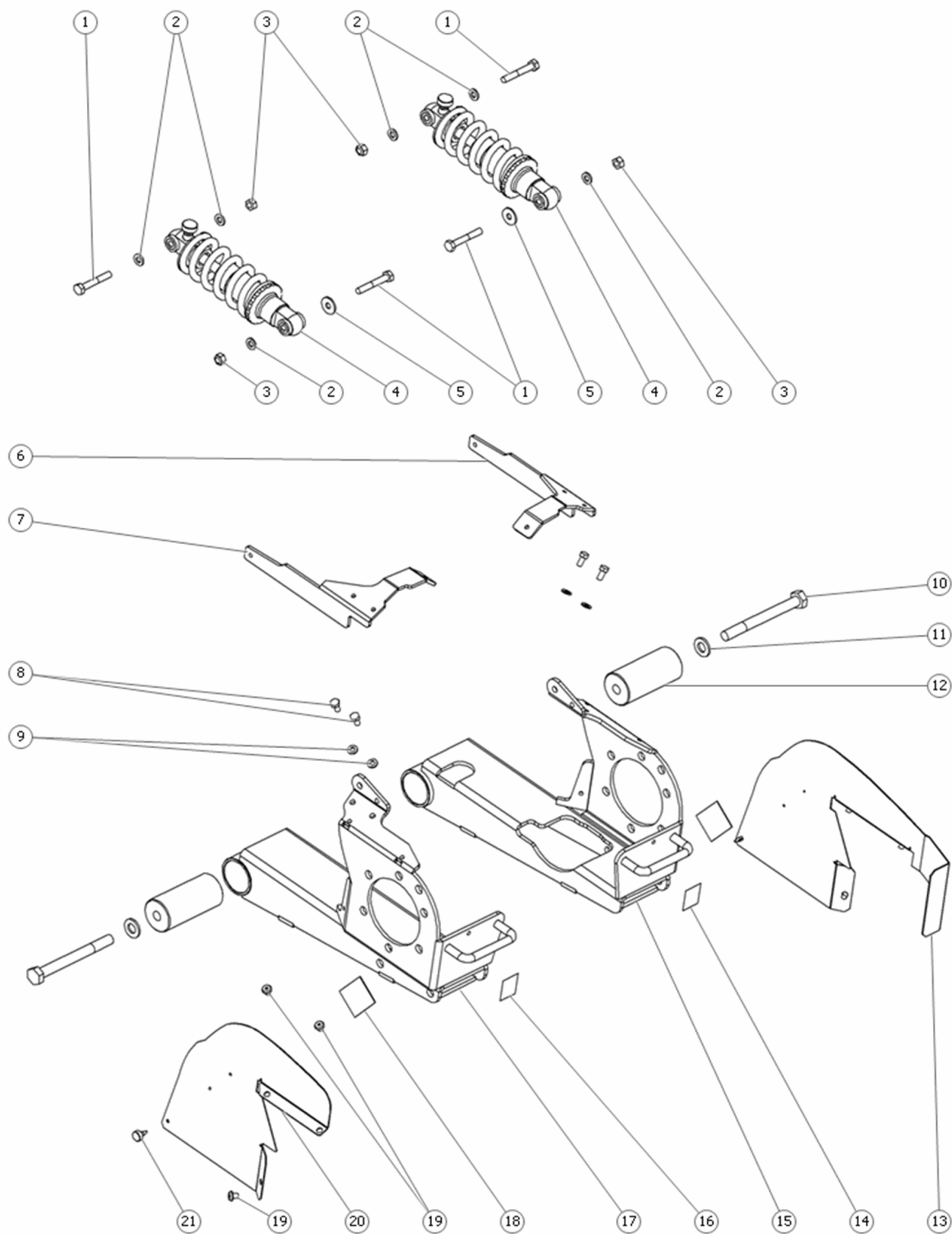
Pos	Qty	Stock Code	Description	Remark
1	1	1825307	BATTERY LID, RIGHT	For C500 add sticker 1827183 (Pos # 4) to your orde..
2	1	1825308	BATTERY LID, LEFT	For C500 add sticker 1827183 (Pos # 4) to your orde..
3	1	1827184	STICKER "ESP S"	For C500S
4	1	1827183	STICKER "ESP"	For C500
5	1	318524	COVER, RIGHT	
6	1	318526	PLATE, RIGHT	
7	1	1820324	REFLECTOR	Orange
8	1	600829-99-0	WASH BRB 4.3x12x 1 fzb DIN 9021 B	
9	1	613944	TAPPING SCREW ISO 7049, ST 3,5x6,5 Fe/Zn	
10	1	600225-99-0	LOCK NUT M4 FZB *	
11	1	601296-99-0	WASH BRB 4.3x 9x0.8 fzb STD	
12	1	601102-99-0	BOLT K6S 4x12 fzb *	
13	1	613874	LOCK HANDLE	
14	1	600238-99-0	WASH BRB ISO 7089 6.4x12x1.6 fzb STD	
15	1	602788-99-0	LOCK.WASH.S-LOCK 5*12 fzb *	
16	1	1821755	CLIP NUT	Incl. 4 pcs
17	1	313854	STICKER	
18	1	318527	PLATE, LEFT	
19	1	318525	COVER, LEFT	



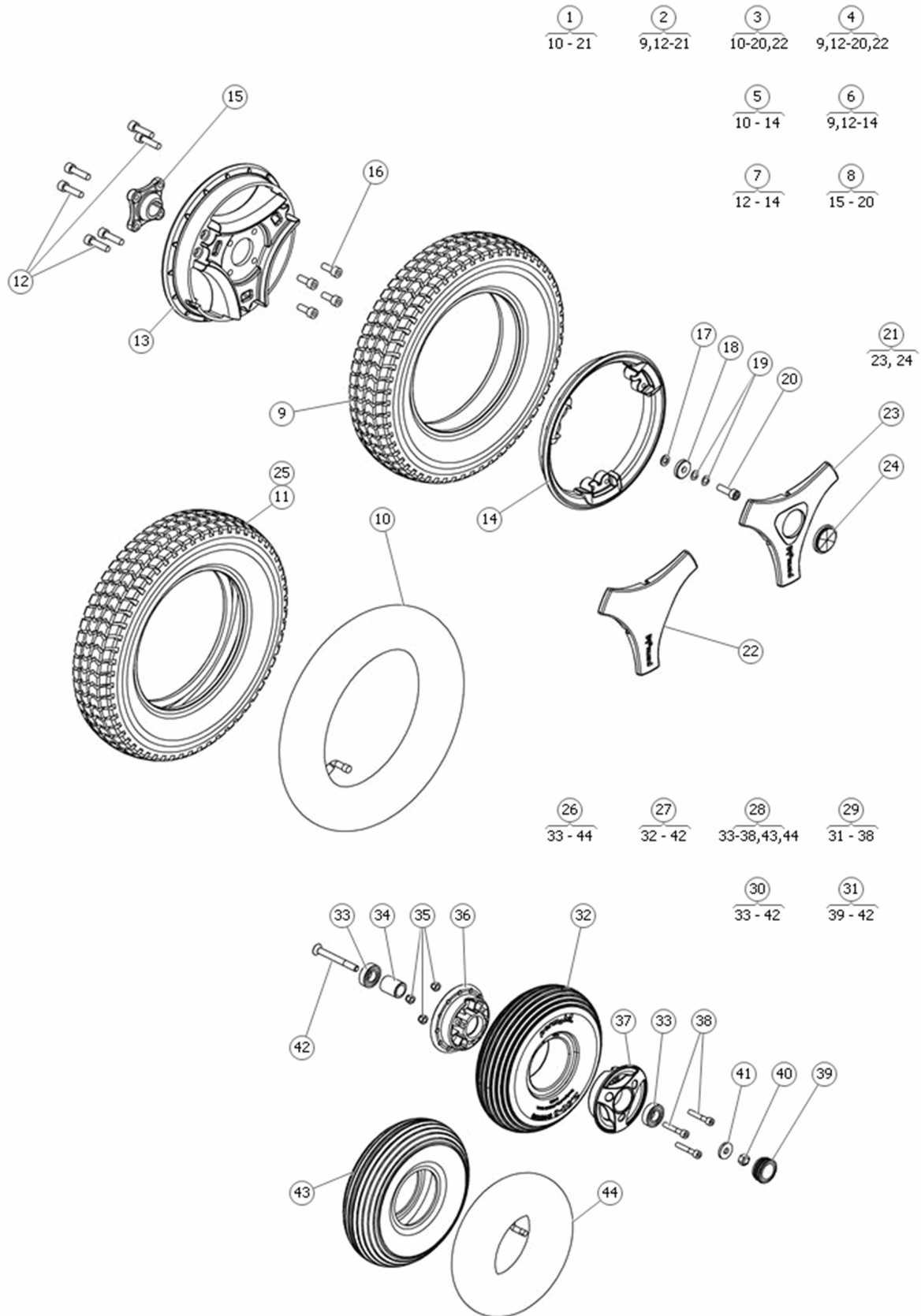
Pos	Qty	Stock Code	Description	Remark
1	1	313509-99-0	BRAKE RELEASE C4,500	
2	1	313629	PLATE	
3	1	601706-99-0	BOLT K6S 5x40 fzb	
4	1	600237-99-0	WASH BRB 5.3x10x 1 fzb *	
5	1	313590	SPACER	
6	1	600226-99-0	LOCK NUT M5 FZB *	
7	1	601823-00-0	PLAST KNOB RECT 4x16x30 LEVER BRAKE RELEASE	
8	1	313589	ARM	
9	1	601187-99-0	BOLT K6S 4x10 fzb *	
10	1	600829-99-0	WASH BRB 4.3x12x 1 fzb DIN 9021 B	
11	1	612752	SPACER, 4,3x7x2,3 PA 6	
12	1	313588	LOCK	
13	1	600231-99-0	NUT M6M 4 fzb *	
14	1	603083-99-0	SHACKLE	
15	1	603082	COTTER	
16	1	313650	WIRE, L=220	
17	1	612631	SOLDERED NIPPLE, Ø5	
18	1	612660	ADJUSTING SCREW, M5x0,8	
19	1	612664	SOCKET, Ø6x5,3x3	
20	1	612661	SOCKET, Ø6,5x0,6, Ø4x0,75	
21	1	612862	SPRING, TF 1x7x65	
22	1	602107-99-0	SPRING 1.2x 8x 30 WIRE BRAKE RELEASE V.4	
23	1	308995-99-0	WIRE 935 BRAKE REL. CH2k *	
24	1	601388-99-0	BOLT MF6S 5x12 fzb	



Pos	Qty	Stock Code	Description	Remark
1	1	317698	DRIVING UNIT, RIGHT	
2	1	317699	DRIVING UNIT, LEFT	
3	1	317865	DRIVING UNIT S-MODEL, RIGHT	
4	1	317866	DRIVING UNIT S-MODEL, LEFT	
5	1	310257-99-0	BRAKE UNIT DRV.UNIT V.2 CH2k KOP+ ENP+ PLP+ CHHDP	
6	1	1822435	HUB KIT	
7	1	1822726	MOTOR, RIGHT	S-model, 10 km/h
8	1	1823394	MOTOR S-MODEL, RIGHT	
9	1	307805-00-0	PLAST PLUG BRAKE KO *	
10	1	307659	STICKER	
11	1	612681	BRAKE	
12	1	602109-00-0	RUBBER RING 69.57x1.78 EPDM MAGNETIC WHEEL LOCK	
13	1	307789-99-0	BRAKE DISK CH2k CH8 KO EN TR MSs90	
14	1	307853	HUB	
15	1	307804-00-0	RUBBER PROTECT MAGNETIC WHEEL LOCK KO	
16	1	1821250	WASHER	
17	1	316597	HUB	
18	1	600203-99-0	BOLT MC6S 8x 20 fzb *	
19	1	612513-99-0	WASH 8.4x23x5 HB 305 YELLOW	
20	1	612531-99-0	SPACER DB 8x14x0,5 DIN 988 A2	
21	1	612512-99-0	BOLT ISO 4762 M8x25 *	
22	1	601410-99-0	BOLT M6S 8x25 fzb *	
23	1	600239-99-0	WASH ISO 7089 8.4x16x1.6 Fe/Zn	
24	1	600855-99-0	KEY 6X6X22 DRIVE SHAFT	
25	1	600189-99-0	BOLT MC6S 5x10 fzb *	
26	1	306963-99-0	BRACK WIRE BRAKE REL V.3 *	
27	1	1822727	MOTOR, LEFT	
28	1	1823395	MOTOR S-MODEL, LEFT	S-model, 10 km/h

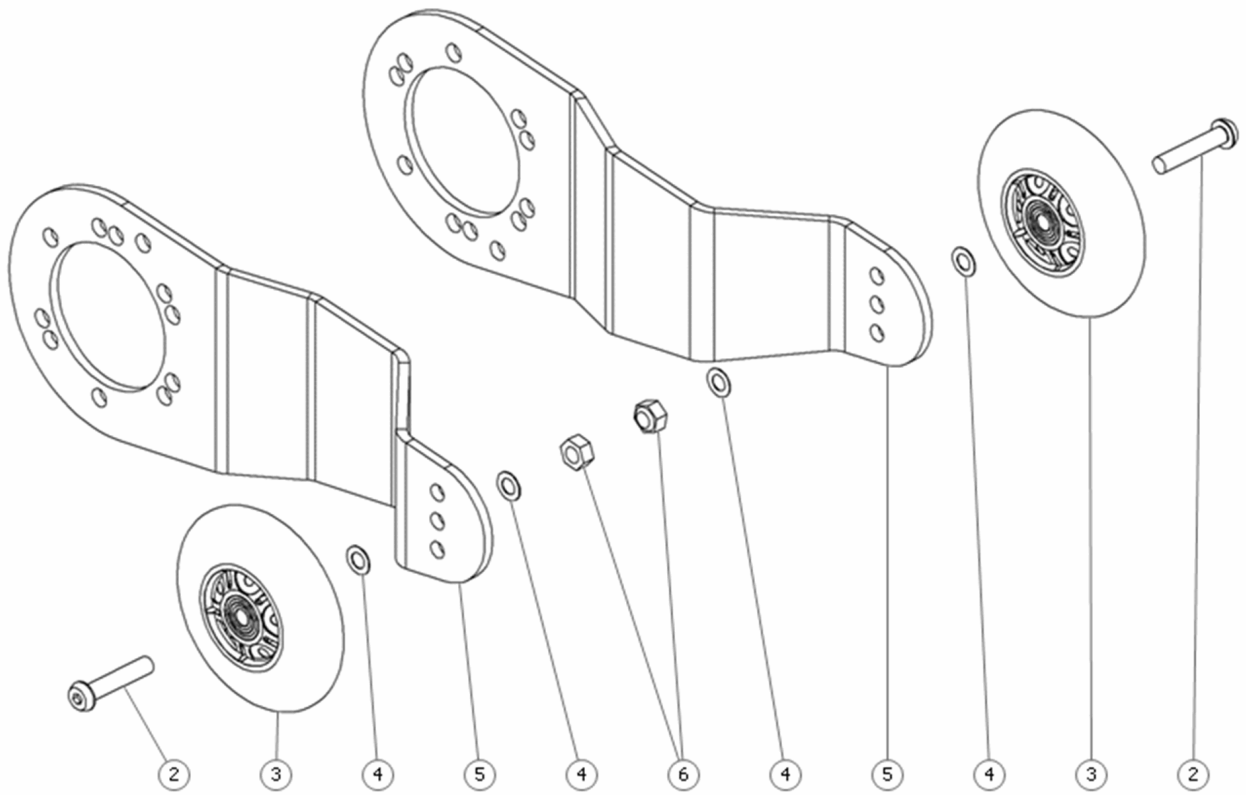


Pos	Qty	Stock Code	Description	Remark
1	1	603313-99-0	BOLT, ISO 4014 M6x40 fzb	
2	1	600238-99-0	WASH BRB ISO 7089 6.4x12x1.6 fzb STD	
3	1	600227-99-0	LOCK NUT M6 FZB *	
4	1	309320-00-0	SHOCK ABSORBER	
5	1	612675-99-0	WASHER, ISO 7093-1 6,4x18x1,6 fzb	
6	1	313604	BRACKET	Left
7	1	313607	BRACKET	Right
8	1	601161-99-0	BOLT M6S 5x10 fzb	
9	1	600237-99-0	WASH BRB 5.3x10x 1 fzb *	
10	1	602027-99-0	BOLT M6S 10x100 fzb SKRUV M6S 10x100 fzb	
11	1	600241-99-0	WASH BRB 10.5x20x2 fzb *	
12	1	308938-99-0	BUSHING LINK CH2k *	
13	1	322504	PLATE	
14	1	312872-99-2	DECAL HOOK BRACKET *	
15	1	322514	SLEWING BRACKET	
16	1	312871-99-1	DECAL HOOK BRACKET *	
17	1	322513	SLEWING BRACKET	
18	1	318647	VELCRO TAPE	
19	1	612781-99-0	SKRUV ISO 7380 M5x6 *	
20	1	322506	PLATE	
21	1	613747	PLASTIC PLUG	



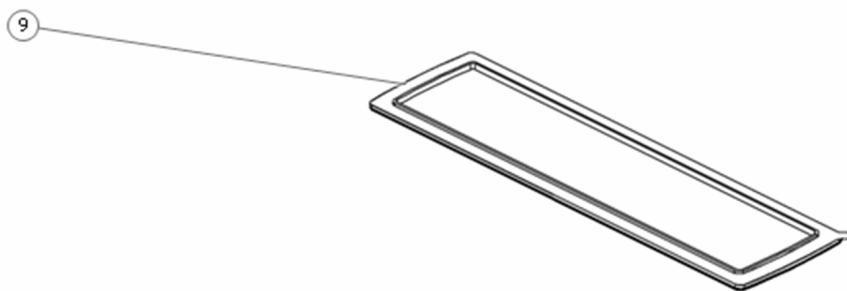
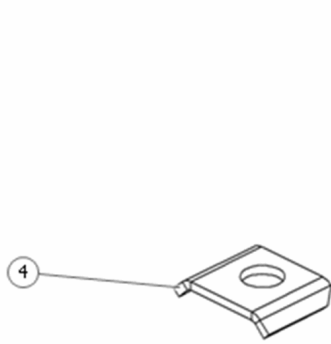
Pos	Qty	Stock Code	Description	Remark
1	1	1822972	WHEEL 3.00x8 AIR EU 3-SPOKE INCL. HUB	Silver colored hub cap.
2	1	1824096	WHEEL 3.00x8" INCL. HUB/COVER SOLID	Silver colored hub cap.
3	1	1822973	WHEEL 3.00x8 AIR US ALU SPLIT 3-SPOKE INCL. HUB	Silver colored hub cap.
4	1	1822978	WHEEL 3.00x8 US SOLID ALU SPLIT 3-SPOKE INCL. HUB	Silver colored hub cap.
5	1	1822971	WHEEL 3.00" x 8" AIR	
5	1	1825153	WHEEL MUD AND SNOW 3.00" x 8"	DEEPER TREAD THAN 1822971
6	1	1822977	WHEEL 3.00" x 8" SOLID	
7	1	1822232	RIM 1.50x8" 3-SPOKE	
8	1	1822435	HUB KIT	
9	1	1822361	TIRE 3.00" x 8"	
10	1	600770-99-0	TUBE 3.00- 8 FRONT M90,T CH CHHD CHP+ CH2k	
11	1	1824843	TIRE 3.00" x 8"	
11	1	1825108	TIRE MUD AND SNOW 3.00" x 8"	DEEPER TREAD THAN 1824843
12	1	600880-99-0	BOLT MC6S 8x 30 fzb *	
12	1	601075-99-0	BOLT ESLOK 8x30 fzb DR.WH MI,2 MA,II M90,T CH	
13	1	316130	RIM INNER	
14	1	316131	RIM OUTER	
15	1	316597	HUB	
16	1	600203-99-0	BOLT MC6S 8x 20 fzb *	
17	1	1821250	WASHER 8,4x15x1,5	
18	1	612513-99-0	WASH 8.4x23x5 HB 305 YELLOW	
19	1	612531-99-0	SPACER DB 8x14x0,5 DIN 988 A2	
20	1	612512-99-0	BOLT ISO 4762 M8x25 *	
21	1	1822231	HUB CAP, REFLEKTOR, BLACK ONYX	Black onyx
21	1	1822266	HUB CAP, REFLEKTOR, SILVER METALLIC	Silver metallic
21	1	1827959	HUB CAP, REFLEKTOR, COBOLT BLUE	Cobolt blue
21	1	1827961	HUB CAP, REFLEKTOR, DEEP PURPLE	Deep purple
21	1	1827962	HUB CAP, REFLEKTOR, PHANTOM GRAY	Phantom Gray
21	1	1827963	HUB CAP, REFLEKTOR, VULCANO RED	Vulcano red
22	1	1825347	HUB CAP, BLACK ONYX	Black onyx
22	1	1826999	HUB CAP, SILVER METALLIC	Silver metallic
22	1	1827964	HUB CAP, COBOLT BLUE	Cobolt blue
22	1	1827965	HUB CAP, PHANTOM GRAY. PAIR	Phantom Gray. Pair.
22	1	1827966	HUB CAP, VULCANO RED. PAIR	Vulcano red. Pair.
22	1	1828995	HUB CAP, COBOLT BLUE. PAIR	Cobolt blue. Pair.
22	1	1828996	HUB CAP, DEEP PURPLE. PAIR	Deep purple. Pair.
22	1	1828997	HUB CAP, PHANTOM GRAY	Phantom Gray
22	1	1828997	HUB CAP, DEEP PURPLE	Deep purple
22	1	1828999	HUB CAP, VULCANO RED	Vulcano red
23	1	316269	HUB CAP PLASTIC	
24	1	1820324	REFLECTOR	
25	1	1825108	TIRE 3.00- 8 DEEP TREAD	
26	1	1824218	WHEEL 210x65 AIR 3-SPOKE	
27	1	1822415	WHEEL 210x65 SOLID 3-SPOKE	
28	1	1824218	WHEEL 210x65 AIR 3-SPOKE	
29	1	316231	WHEEL 210x65 SOLID 3-SPOKE	
30	1	1822416	RIM 210x65 3-SPOKE	
31	1	1822417	WHEEL BOLT KIT 3-SPOKE RIM 210X65	
32	1	612397-08-0	TIRE 210x65 REAR SOLID CH2K CH2S STR	
33	1	600752-99-0	BALL BEAR 6002-2RS1 *	
34	1	316386-99-0	SPACER	
35	1	1821261	Nut DIN 982 M6 fzb	
36	1	316156	RIM INNER 210x65	
37	1	316155	RIM OUTER 210x65	
38	1	601333-99-0	BOLT MC6S 6x35 fzb	
39	1	1823146	PLASTIC PLUG	
40	1	600228-99-0	LOCK NUT M8 FZB *	
41	1	305390-99-0	WASH 8.5x23x3 fzb *	
42	1	1821264	SCREW ISO 10642 M8x75 Fe/Zn	
43	1	602569-08-0	TIRE 210x65 REAR AIR FILLED CH2k	
44	1	602568-99-0	TUBE 210x65 REAR CH2k *	

①
2-6

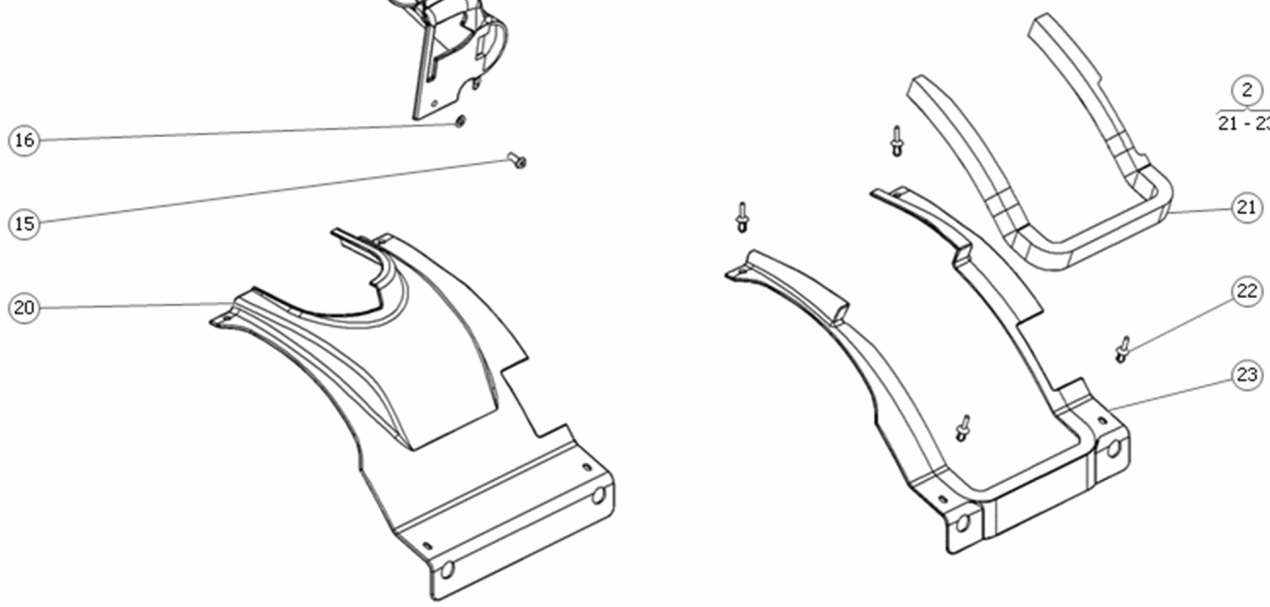
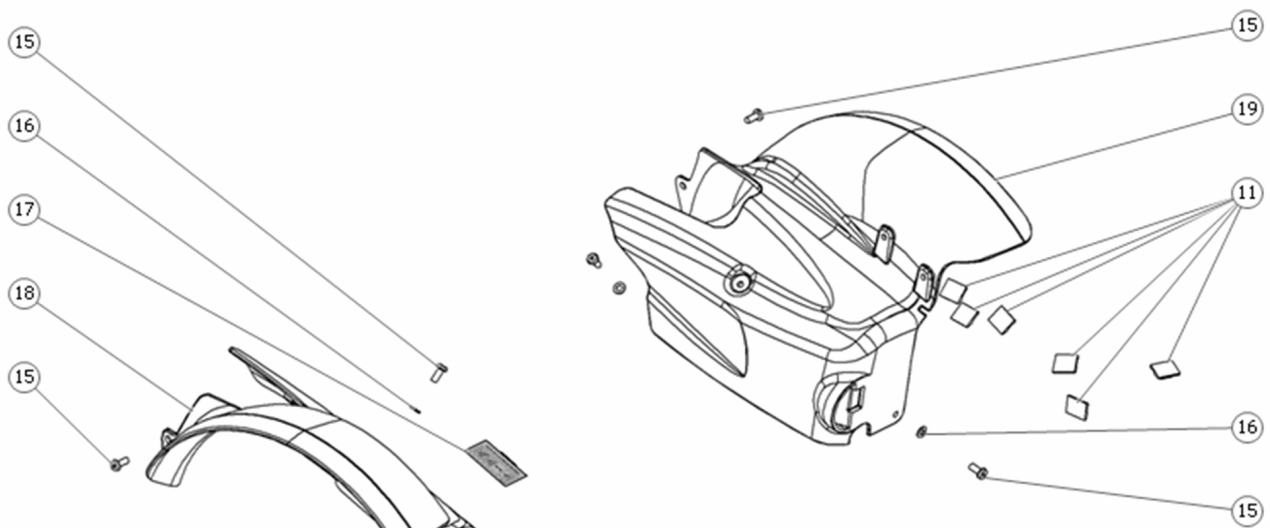
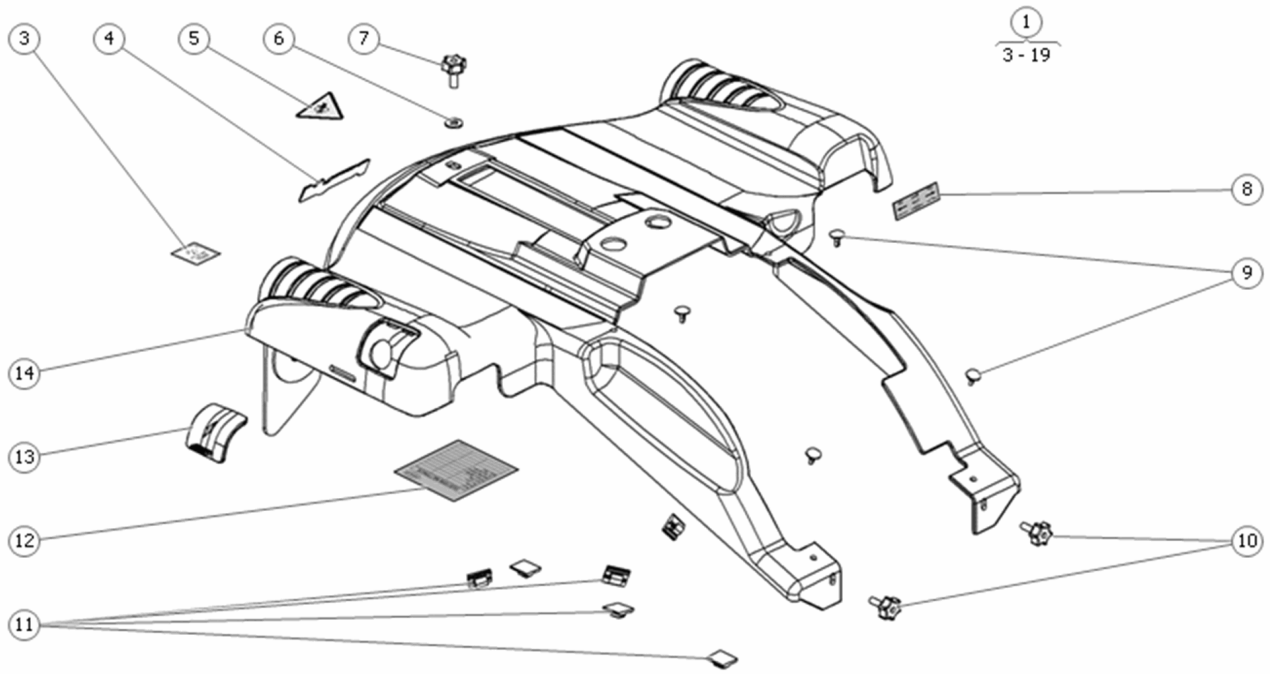


Pos	Qty	Stock Code	Description	Remark
1	1	1830180	SUPPORT WHEEL	
2	1	613114	SCREW ISO 7380, M8x40 10.9 Fe/Zn	
3	1	1822017	WHEEL	
4	1	612531-99-0	SPACER DB 8x14x0,5 DIN 988 A2	
5	1	322516	BRACKET	
6	1	600228-99-0	LOCK NUT M8 FZB *	

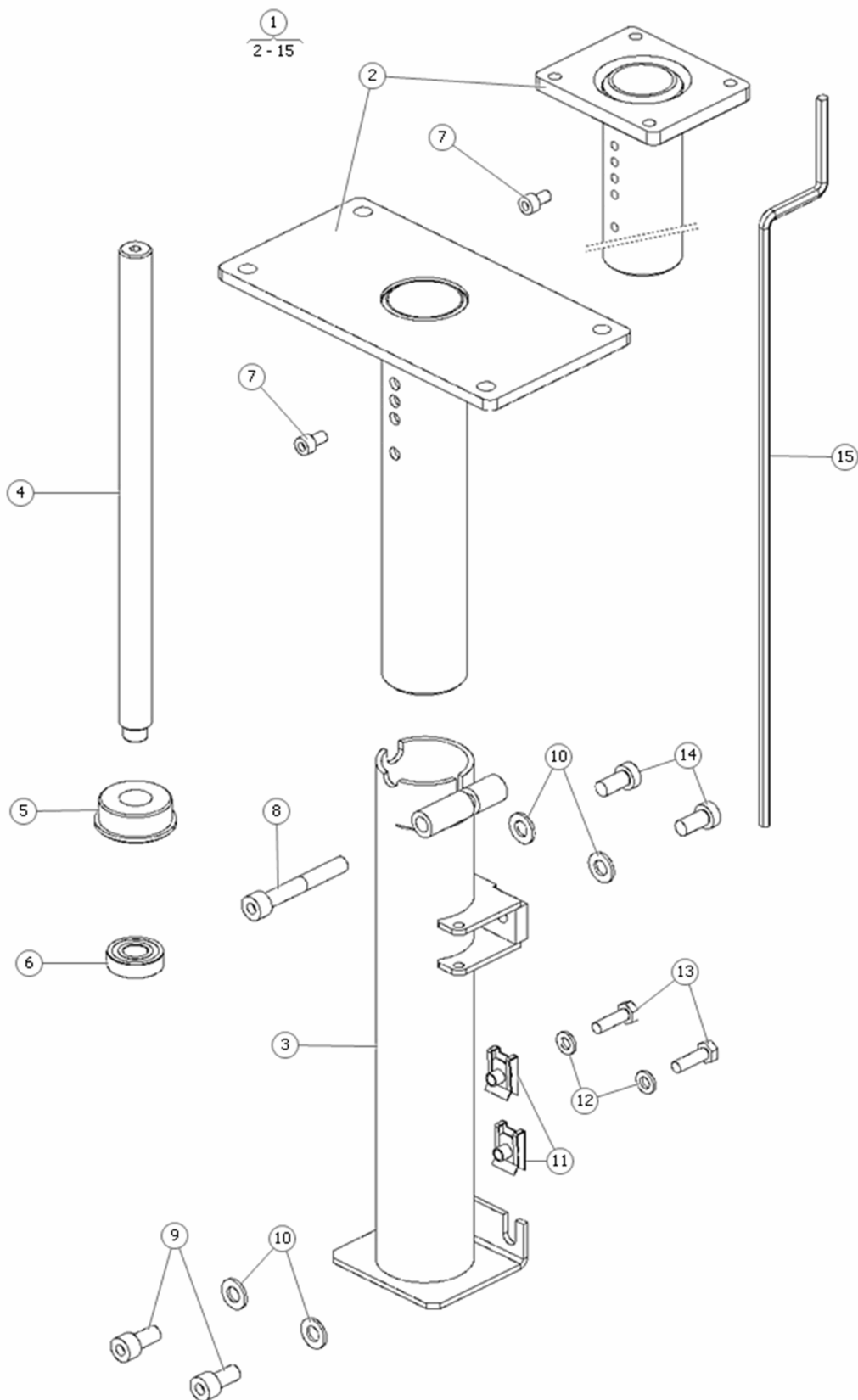
①
2-8



Pos	Qty	Stock Code	Description	Remark
1	1	1830189	SEAT SUPPORT	
2	1	1830245	RUBBER BLOCK	
3	1	322459	SPACER	
4	1	320292	WASHER	
5	1	320293	NUT	
6	1	322292	SPACER	
7	1	322224	SPACER	
8	1	322276	SPACER	
9	1	1830187	LID	Incl. adhesive

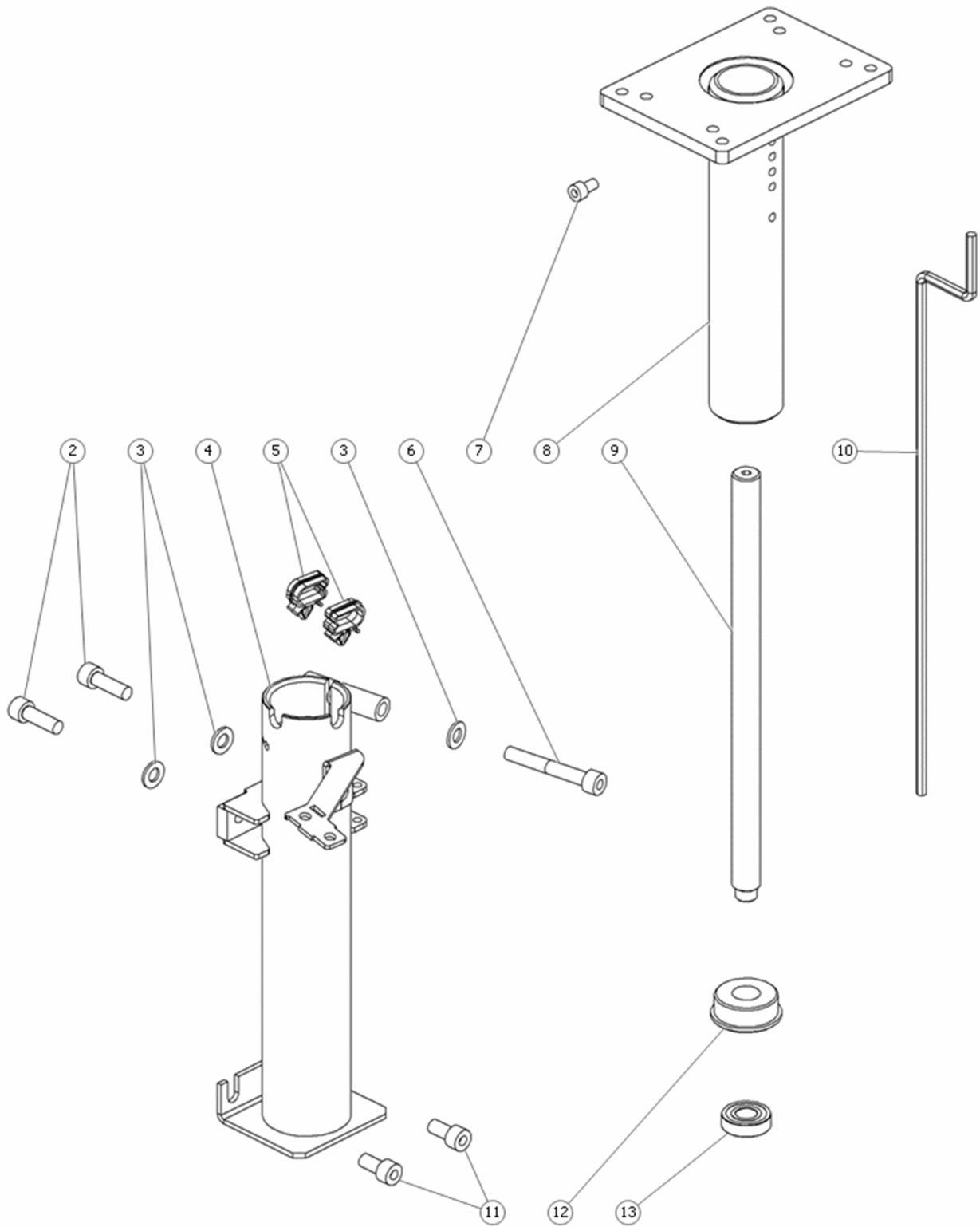


Pos	Qty	Stock Code	Description	Remark
1	1	1830220	COVER KIT DEEP PURPLE	Deep purple
1	1	1830221	COVER KIT PHANTOM GREY	Phantom gray
1	1	1830222	COVER KIT PLATINUM SILVER	Platinum silver
1	1	1830223	COVER KIT VOLCANO RED	Vulcano red
1	1	1830224	COVER KIT BLACK ONYX	Black onyx
1	1	1830225	COVER KIT COBOLT BLUE	Cobolt blue
2	1	1830186	COVER FRONT	
3	1	1824344	DECAL	Charger
4	1	1828133	STICKER	"Permobil"
5	1	313891-99-0	DECAL SEAT TILT WARNING	Tilt varning
6	1	601364-99-0	WASH BRB 6.4x14x1.5 fzb *	
7	1	613874	LOCK HANDLE	
8	1	308642-99-0	DECAL MAIN.FUSE TR *	Circuit braker
9	1	601158-99-0	QUICK MOUNT CLAMP ARM/PROT.COVER SEAT ELEV	
10	1	613891	LOCK HANDLE	
11	1	602615-99-0	CABLE TIE HOLD. ACC19 A-C *	
12	1	313917	STICKER	Settings
13	1	322320	LID	
14	1	322319	COVER	
15	1	601159-99-0	BOLT K6S 5x12 fzb *	
16	1	600237-99-0	WASH BRB 5,3x10x 1 fzb *	
17	1	313848-99-0	DECAL BRAKE REL C4,500	Brake release
18	1	322346	COVER	Fender, right
19	1	322345	COVER	Fender, left
20	1	1830185	COVER FRONT	Cover fixed seat tube
21	1	322781	PINCH GUARD	
22	1	614558	BLIND RIVET	
23	1	322692	COVER	

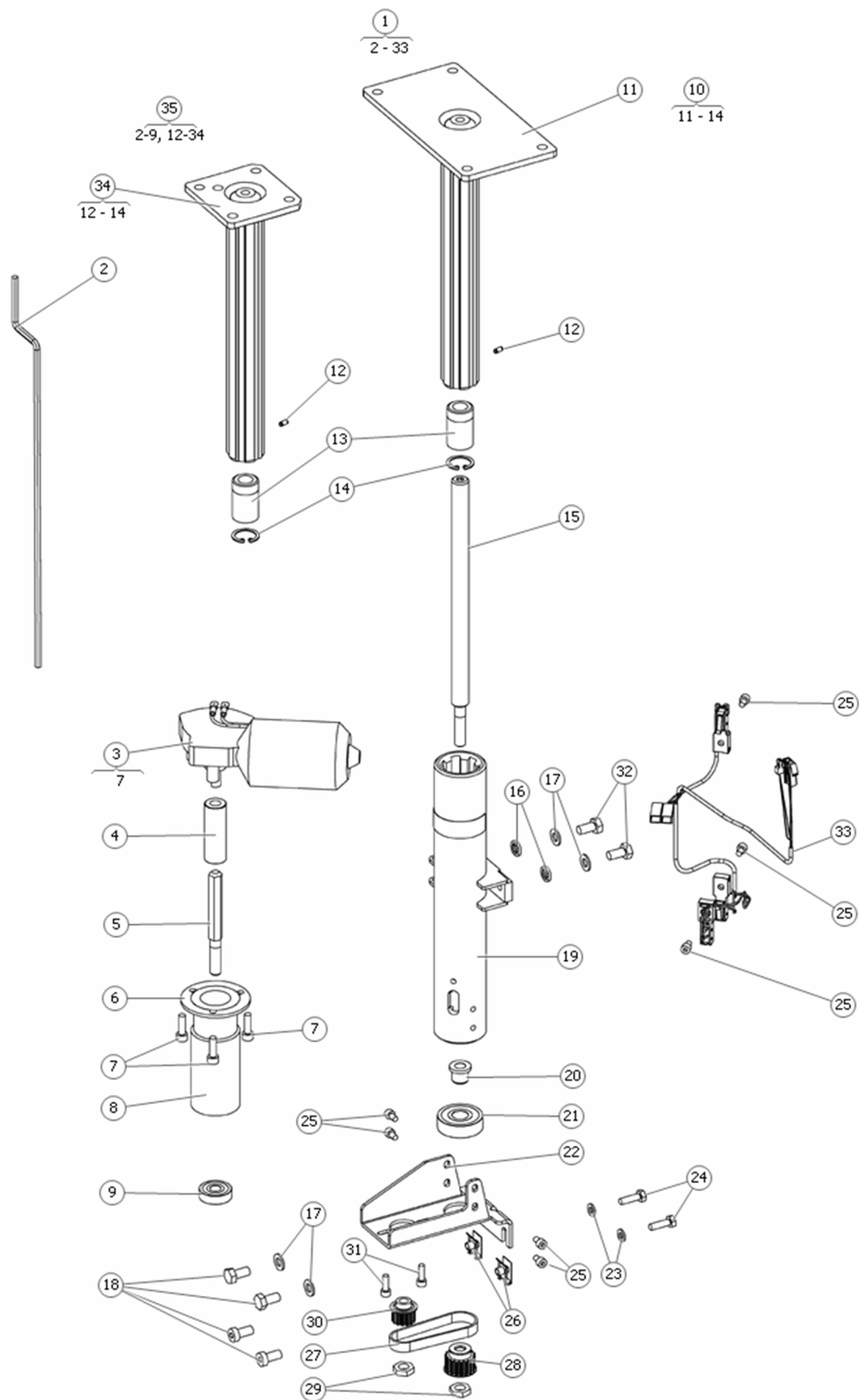


Pos	Qty	Stock Code	Description	Remark
1	1	1821778	SEAT TUBE	
1	1	1826959	Seat tube C3G	
1	1	308732-99-0	SEAT TUBE FIXED CH CH2 CH2k EN CHHD MS90 S,SU,II	
2	1	1826960	Inner tube for C3G seat	
2	1	305686	Inner tube	
3	1	314223	OUTER TUBE	
4	1	305689	SCREW SEAT TUBE FIXED	
5	1	305687	BUSHING SEAT TUBE FIXED	
6	1	600037-99-0	BALL BEAR 6001-2RS1 *	
7	1	600888-99-0	BOLT MC6S 6x10 fzb *	
8	1	601157-99-0	BOLT MC6S 8x 55 fzb *	
9	1	600590-99-0	BOLT MC6S 8x 16 fzb *	
10	1	600239-99-0	WASH ISO 7089 8.4x16x1.6 Fe/Zn	
11	1	603061-99-0	NUT FLAT CLIP NUT 956 M6	
12	1	600238-99-0	WASH BRB ISO 7089 6.4x12x1.6 fzb STD	
13	1	600222-99-0	BOLT M6S 6x 20 FZB *	
14	1	612807-99-0	SCREW, DIN 7984 M8x16 fzb	
15	1	303668-99-0	SEAT ELEV KEY	

①
2-13

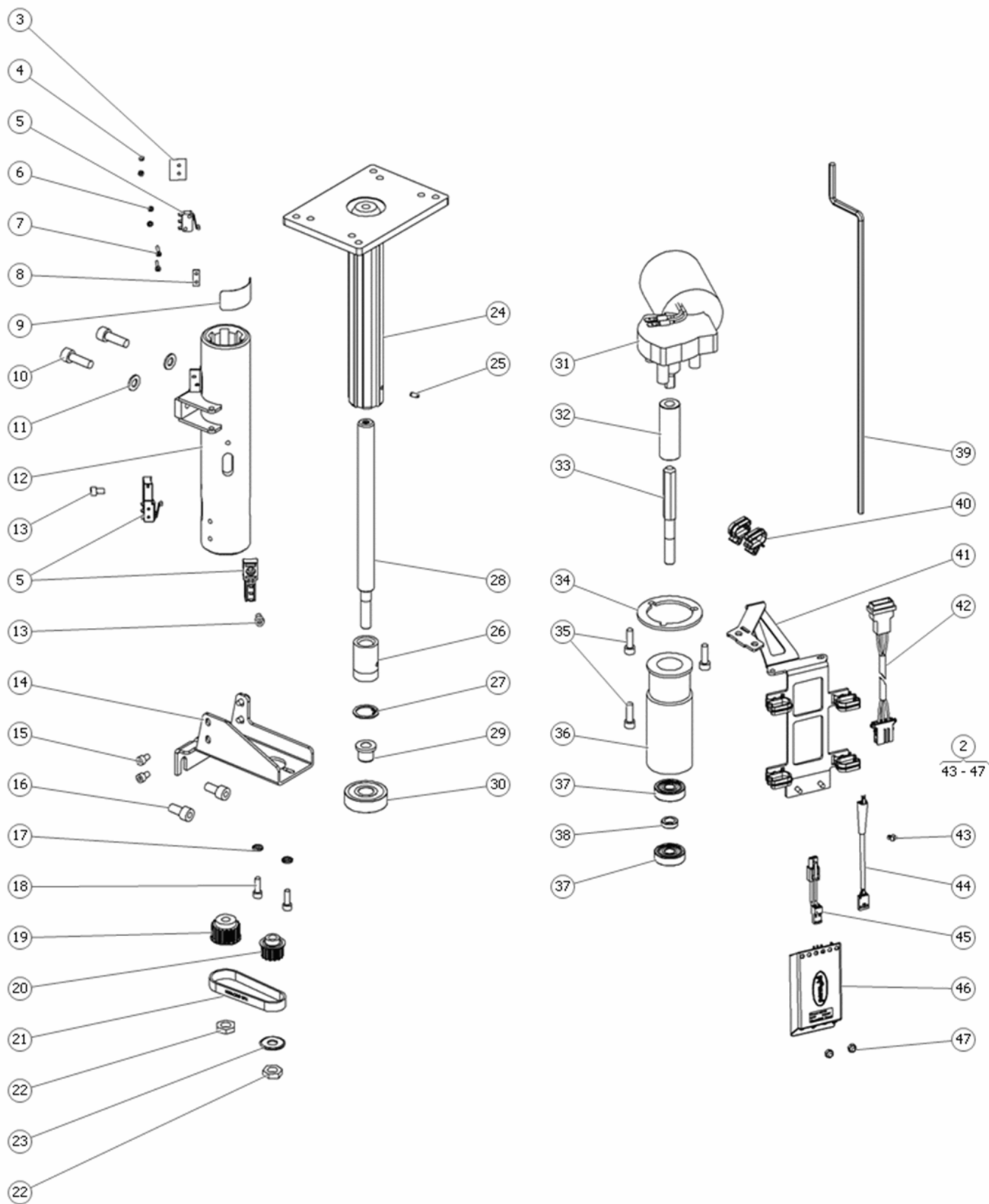


Pos	Qty	Stock Code	Description	Remark
1	1	1830182	SEAT TUBE	
2	1	600499-99-0	BOLT MC6S 8x 25 fzb *	
3	1	600239-99-0	WASH ISO 7089 8.4x16x1.6 Fe/Zn	
4	1	321934	OUTER TUBE	
5	1	612953-00-0	CABLE CLIP 20x10x28 M6	
6	1	601157-99-0	BOLT MC6S 8x 55 fzb *	
7	1	600888-99-0	BOLT MC6S 6x10 fzb *	
8	1	322193	INNER TUBE	
9	1	305689	SCREW	
10	1	303668-99-0	SEAT ELEV KEY	
11	1	600590-99-0	BOLT MC6S 8x 16 fzb *	
12	1	305687	BUSH	
13	1	600037-99-0	BALL BEAR 6001-2RS1 *	

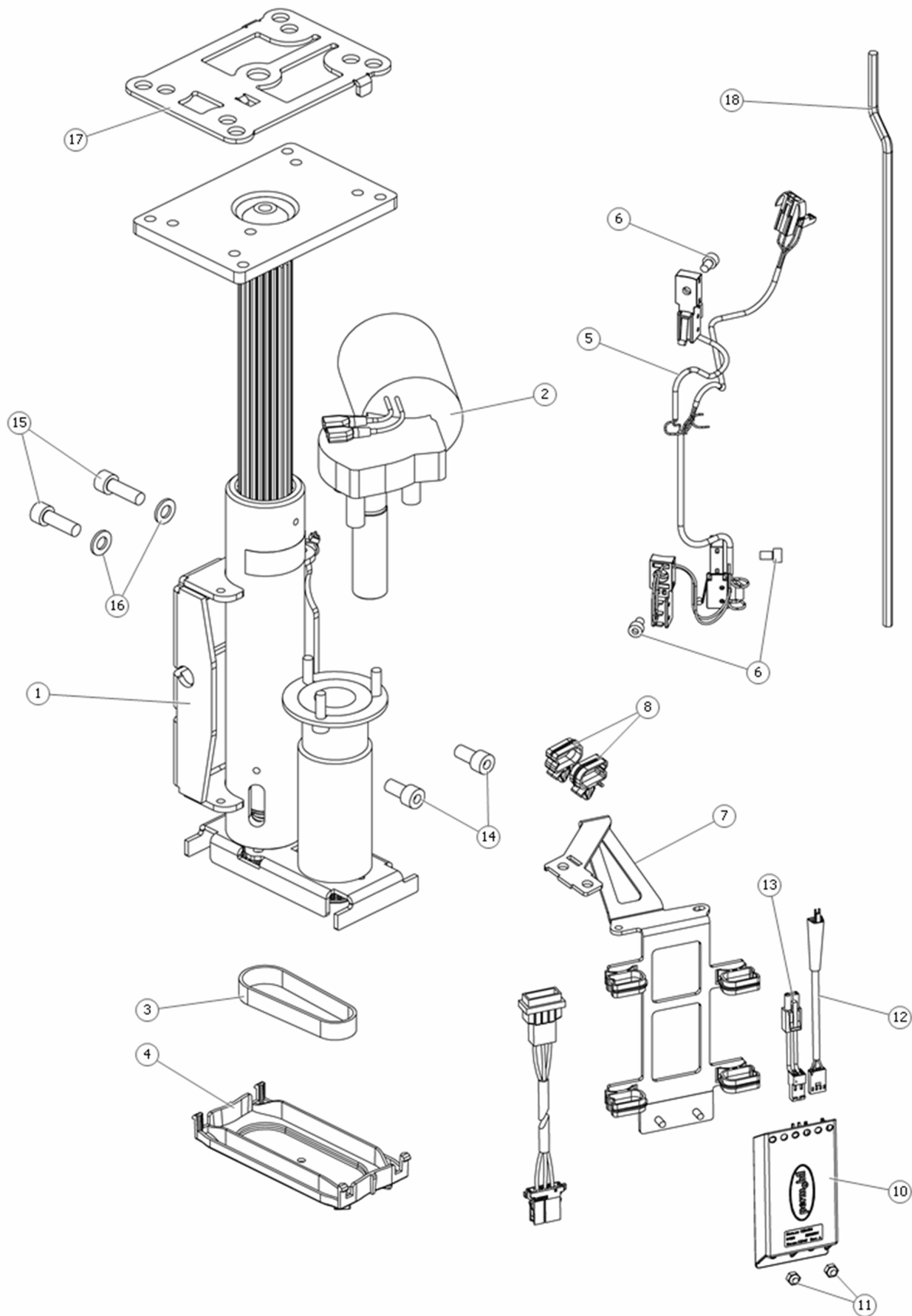


Pos	Qty	Stock Code	Description	Remark
1	1	312402-99-0	SEAT ELEV. V.3 CH CHP+ CH2k ENP+	STD V.3
2	1	303668-99-0	SEAT ELEV KEY	
3	1	1820425	MOTOR	
4	1	1830072	PLASTIC SLEEVE SEAT ELEVATOR	
4	1	1830072	PLASTIC SLEEVE SEAT ELEV CH CH2k CHHD	
4	1	309087-99-0	PLASTIC SLEEVE SEAT ELEV CH CH2k CHHD	
5	1	309092	SCREW	
6	1	312509	PLATE	
7	1	600194-99-0	BOLT MC6S 6x20 fzb	
8	1	312516	SOCKET	
9	1	601471-99-0	BALL BEAR 6200-1RS1 SEAT ELEVATOR	
10	1	302280-99-0	INNER TUBE SEAT ELEV V.2 CH2k MS90 HEXII CH,8 EN	
11	1	306088	INNER TUBE	
12	1	612316-99-0	SPRING PIN ISO 8750 4x8	
13	1	302248	NUT	
14	1	612307	CIRCLIP, DIN 472 Ø24	
15	1	310152	SCREW	
16	1	601173-99-0	WASH IZ 8.4x15 fzb DIN 6797	
17	1	600239-99-0	WASH ISO 7089 8.4x16x1.6 Fe/Zn	
18	1	602124-99-0	BOLT M6S 8*16 fzb ESL *	Part 602124-99-0 is a hex head bolt- the socket hea...
19	1	312511-99-0	OUTER TUBE	
20	1	310277	SOCKET	
21	1	600709-99-0	BALL BEAR 6302-2RS1 *	
22	1	308414-99-0	BRACKET	
23	1	600238-99-0	WASH BRB ISO 7089 6.4x12x1.6 fzb STD	
24	1	600222-99-0	BOLT M6S 6x 20 FZB *	
25	1	600188-99-0	BOLT MC6S 5x 8 fzb	
26	1	603061-99-0	NUT FLAT CLIP NUT 956 M6	
27	1	600892-99-0	DRIVEB SEAT ELEV MS90 CHHD HEXIII,8 CH2k	
28	1	612308	TIMING BELT PULLEY	
29	1	601855-99-0	NUT ML6M 10 fzb *	
30	1	612309	TIMING BELT PULLEY	
31	1	601165-99-0	BOLT MC6S 5x16 fzb *	
32	1	612807-99-0	SCREW, DIN 7984 M8x16 fzb	612807-99-0 is a low head SHCS- you will not receiv...
33	1	311195-99-0	CABLE SEAT ELEV P+	
34	1	319845	Inner tube	
35	1	1825842	Seat elevator	

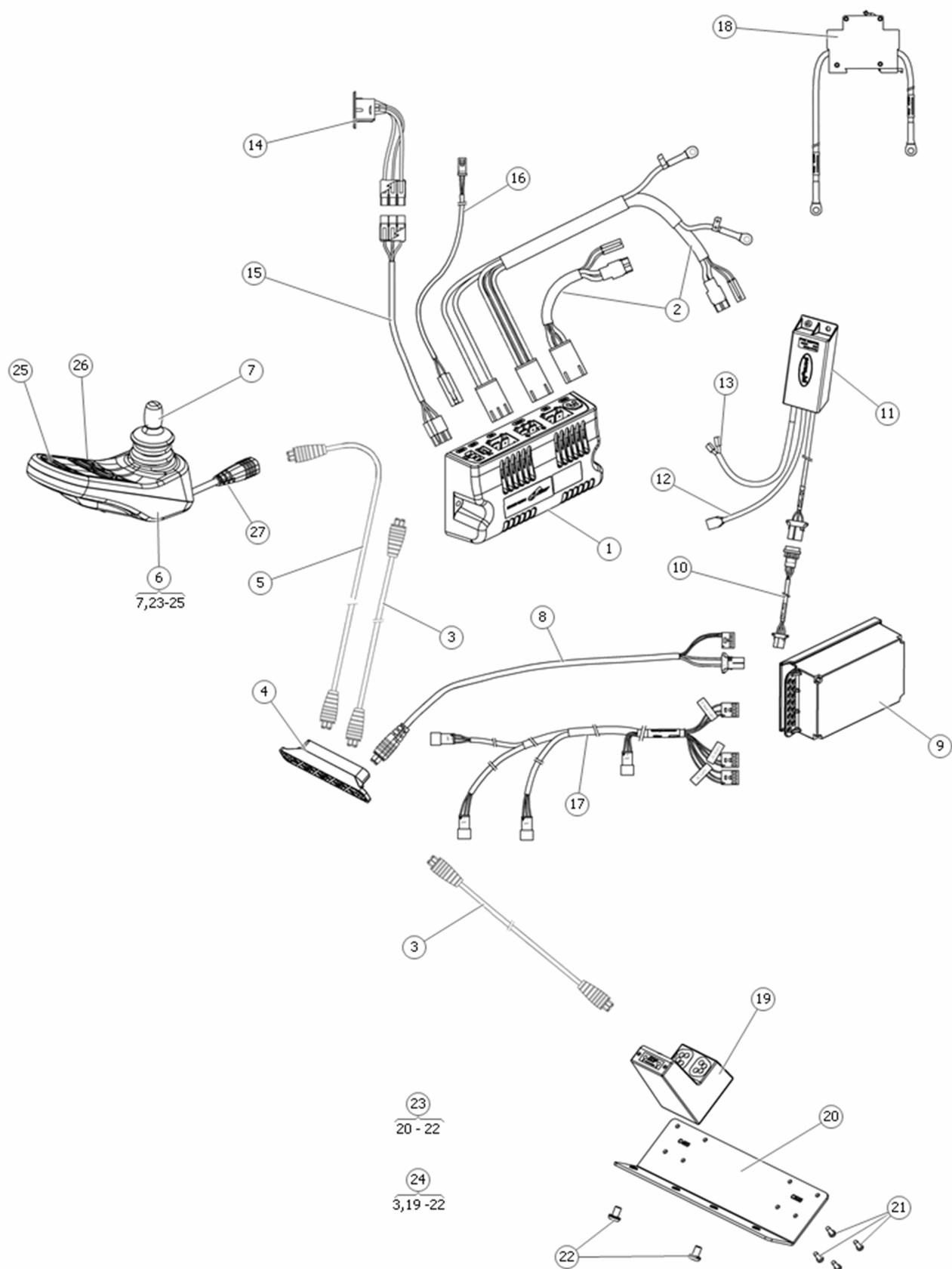
①
3 - 47



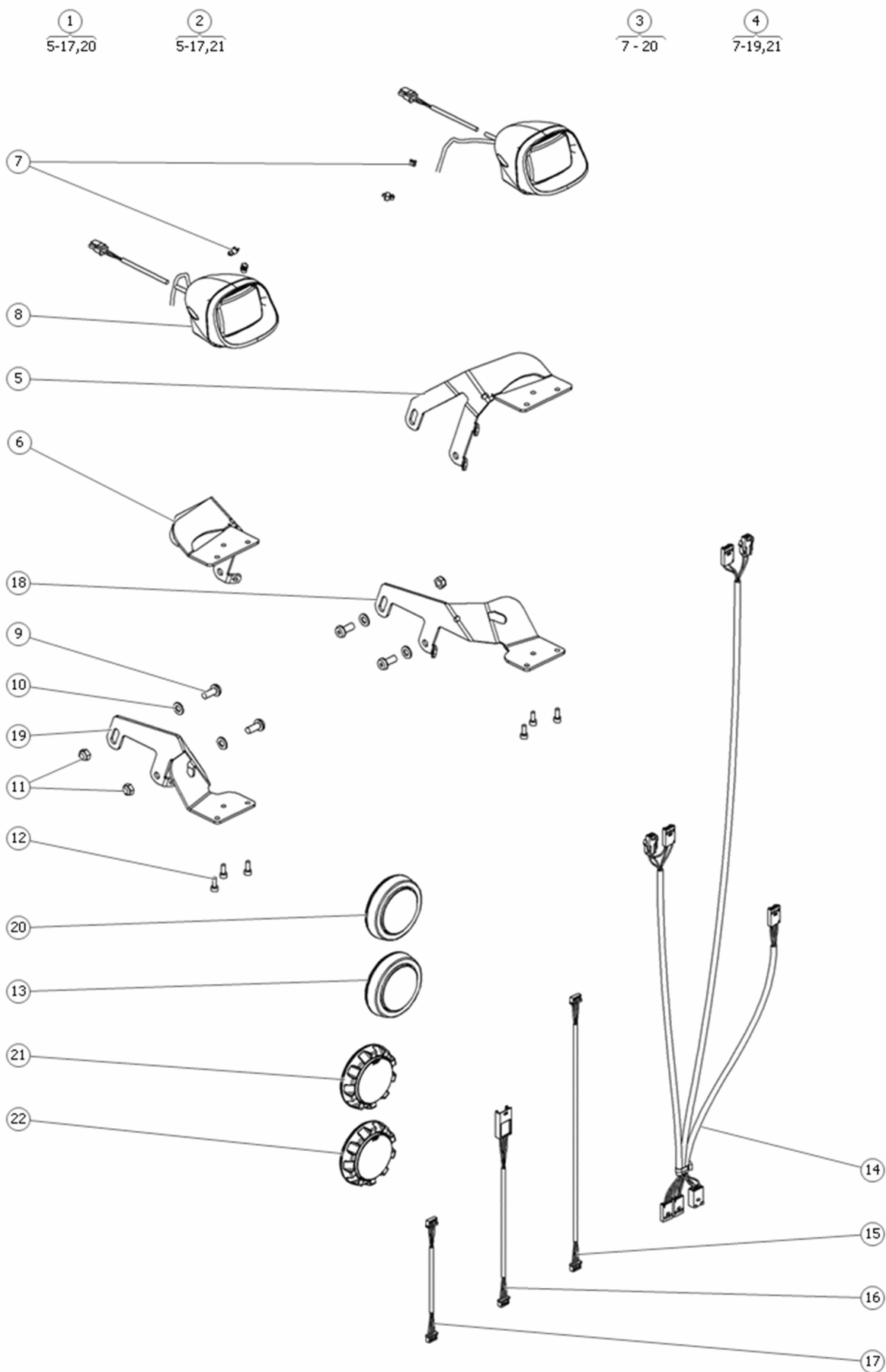
Pos	Qty	Stock Code	Description	Remark
1	1	1830184	SEAT ELEVATOR	
2	1	1827663	CABLE SET SEAT ELEV R-NET	
3	1	308885	WASHER	
4	1	600594-99-0	NUT M6M 2.3 fzb	
5	1	1824725	CABLE	Cable with switches
6	1	601321-99-0	WASH AZ 2.5x5x0.4 fzb BR AZ 2.5x 5x0.4 fzb	
7	1	602560-99-0	BOLT MRX-H M2.3x14 fzb	
8	1	307619-99-0	WASH 6x18x0.7 M.SWITCH	
9	1	309019	STICKER	
10	1	600499-99-0	BOLT MC6S 8x 25 fzb *	
11	1	600239-99-0	WASH ISO 7089 8.4x16x1.6 Fe/Zn	
12	1	321956	OUTER TUBE	
13	1	600188-99-0	BOLT MC6S 5x 8 fzb	
14	1	308414-99-0	BRACKET SEAT ELEVATOR	
15	1	600188-99-0	BOLT MC6S 5x 8 fzb	
16	1	600590-99-0	BOLT MC6S 8x 16 fzb *	
17	1	601164	SERRATED LOCK WASHER DIN 6798A	
18	1	601165-99-0	BOLT MC6S 5x16 fzb *	
19	1	310151	WHEEL	
20	1	308734	WHEEL	
21	1	600892-99-0	DRIVEB SEAT ELEV MS90 CHHD HEXIII,8 CH2k	
22	1	601855-99-0	NUT ML6M 10 fzb *	
23	1	322505	WASHER	
24	1	321791	INNER TUBE	
25	1	612316-99-0	SPRING PIN ISO 8750 4x8	
26	1	302248	NUT	
27	1	612307	CIRCLIP INTERNAL	
28	1	310153	SCREW	
29	1	310277	SOCKET	
30	1	600709-99-0	BALL BEAR 6302-2RS1 *	
31	1	1820425	MOTOR	
32	1	1830072	SOCKET	
33	1	309092	SCREW	
34	1	312509	PLATE	
35	1	600194-99-0	BOLT MC6S 6x20 fzb	
36	1	312516	SOCKET	
37	1	614374	BALL BEARING	
38	1	320998	SOCKET	
39	1	303668-99-0	SEAT ELEV KEY	
40	1	612953-00-0	CABLE CLIP 20x10x28 M6	
41	1	322182	HOLDER	
42	1	1821533	CABLE LIN	
43	1	600136-00-0	CABLE TIE SST1M 2.4x102 *	
44	1	1823170	CABLE	
45	1	306853-00-0	CABLE ADAPTION SEAT ELEV EL.UNIT SLS V.2	
46	1	315930	GENERAL MODULE	
47	1	600225-99-0	LOCK NUT M4 FZB *	



Pos	Qty	Stock Code	Description	Remark
1	1	1830183	Seat elevator 21 splines	
2	1	1830165	Motor 270rpm 24V, 30W	
3	1	1828657	Timing belt 12mm	
4	1	1830138	Cover	
5	1	1830248	Cable seat elevator	
6	1	600188-99-0	Screw ISO 4762 M5x8 Fe/Zn	
7	1	322182	Holder	
8	4	1821422	Cable clip 17x12 black	
10	1	1821382	ELECTRONICS ICS SEAT ELEV	
11	1	600225-99-0	Nut DIN 985 M4 Fe/Zn	
12	1	1823170	CABLE ADAPT SEAT ELEV TO ICS MODULE	
13	1	306853-00-0	CABLE ADAPTION SEAT ELEV EL.UNIT SLS V.2	
14	1	600590-99-0	Screw ISO 4762 M8x16 Fe/Zn	
15	1	600499-99-0	Screw ISO 4762 M8x25 Fe/Zn	
16	1	600239-99-0	Washer ISO 7089 8,4x16x1,6	
17	1	322822	Shim	
18	1	303668-99-0	Key	



Pos	Qty	Stock Code	Description	Remark
1	1	1822393	ELECTRONICS R-NET PM120A	C500s
1	1	1825774	ELECTRONICS PM90 R-NET	Replacement for PM80A
1	1	1825774	ELECTRONICS PM 90 R-NET	C500
2	1	309084-00-0	CABLE LOWER CH2k *	
3	1	1821538	CABLE BUS L=500	
4	1	1821537	CONNECTOR BLOCK	
5	1	1821526	CABLE BUS L=2500	
5	1	1821538	.5	
5	1	1823977	3.5	
5	1	1824291	1.5	
5	1	1826764	1	
5	1	1828192	R-NET BUS CABLE 1000m MALE TO MALE	
6	1	1822389	CTRL PANEL R-NET JSM-L-SW	
6	1	1822390	CTRL PANEL R-NET JSM-L-SW TOGGLE SWITCH	
6	1	1825746	CTRL PANEL COLOUR DISPLAY R_NET	
6	1	1825758	CTRL PANEL R-net JSM-LED-L 700mm	
6	1	1826544	R-NET COLOR JOYST MODULE LIGHTS SWITCH TOGGLES PER	
6	1	1826545	R-NET JSM SPD POT & TOGGL	
6	1	1826588	R-NET COLOR JOYST MODULE LIGHTS-SW-POT-TOGGLE PER	
6	1	1826675	R-NET COLOR JOYST MODULE LIGHTS-SW-POT PERMOBIL	
6	1	1826676	R-NET COLOR JOYST MODULE PERMOBIL	
6	1	1826677	R-NET JSM L W/ SPEED POT	
6	1	1826766	R-NET LED JOYSTICK MODULE WITH LIGHTS	
7	1	1823297	Knob, Joystick	
8	1	1822821	CABLE ELECTRONICS	
9	1	1821535	PCB BOX	
10	1	1821533	Cable ext, 500mm ICS Actuator	
10	1	1821827	Cable ext, 700mm ICS Actuator	
11	1	1821382	ELECTRONICS PILLAR LIFT	
12	1	311060-00-0	CHARGER CONNECTOR XLR	
13	1	1822823	CABLE OBC CHARGER	
14	1	1822370	CABLE BREAK RELEASE R-NET	
15	1	1822820	CABLE LIGHTS ICS R-NET VR2, C400, C500	
16	1	309085-00-0	Cable mainfuse 63A	Mainfuse 63A
16	1	311276-99-0	Cable mainfuse 80A	C500s, mainfuse 80A
17	1	1822804	ESP MODULE R-NET	
18	1	316693	ESP Bracket	
19	1	1824694	Tapping screw M3x8 Fe/Zn	
20	1	600740-99-0	Screw ISO 7380 M5x8 Fe/Zn	
21	1	1825322	MOUNT KIT ESP R-NET	
22	1	1825041	ESP kit incl. cable	
23	1	1826509	KEYPAD FRONT R-NET JSM	For control panel 1822389 and 1825746
24	1	1826510	KEYPAD REAR R-NET JSM	For control panel 1822389 and 1825746
25	1	1826820	R-NET JSM CABLE	PLEASE CONTACT TECHNICAL SUPPORT FOR A..
26	1	1823170	CABLE ADAPT SEAT ELEV TO ICS MODULE	
27	1	306853-00-0	CABLE ADAPTION SEAT ELEV EL.UNIT SLS V.2	



Pos	Qty	Stock Code	Description	Remark
1	1	1830148	LIGHT KIT	With front turnsignal. Incl. 2x position 20, 4x position...
2	1	1830211	LIGHT KIT	With front reflector. Incl. 2x position 21, 4x position 13.
3	1	1830213	LIGHT KIT	Lowrider with front turnsignal. Incl. 2x position 20, 4x..
4	1	1830212	LIGHT KIT	Lowrider with front reflector. Incl. 2x position 21, 4x p..
5	1	322471	BRACKET	
6	1	322470	BRACKET	
7	1	600136-00-0	CABLE TIE SST1M 2.4x102 *	
8	1	1826961	LIGHTS	
9	1	601159-99-0	BOLT K6S 5x12 fzb *	
10	1	600237-99-0	WASH BRB 5.3x10x 1 fzb *	
11	1	600226-99-0	LOCK NUT M5 FZB *	
12	1	602690	SCREW ISO 4762, M3x8 Fe/Zn	
13	1	1830147	LIGHT/TURNSIGNAL, REAR	
14	1	1830150	CABLE	
15	1	1830151	CABLE	
16	1	1830149	CABLE	
17	1	1830152	CABLE	
18	1	322191	BRACKET	
19	1	322189	BRACKET	
20	1	1830146	TURNSIGNAL, FRONT	
21	1	1826962	REFLECTOR	
22	1	1826964	REFLECTOR	

Ordering information

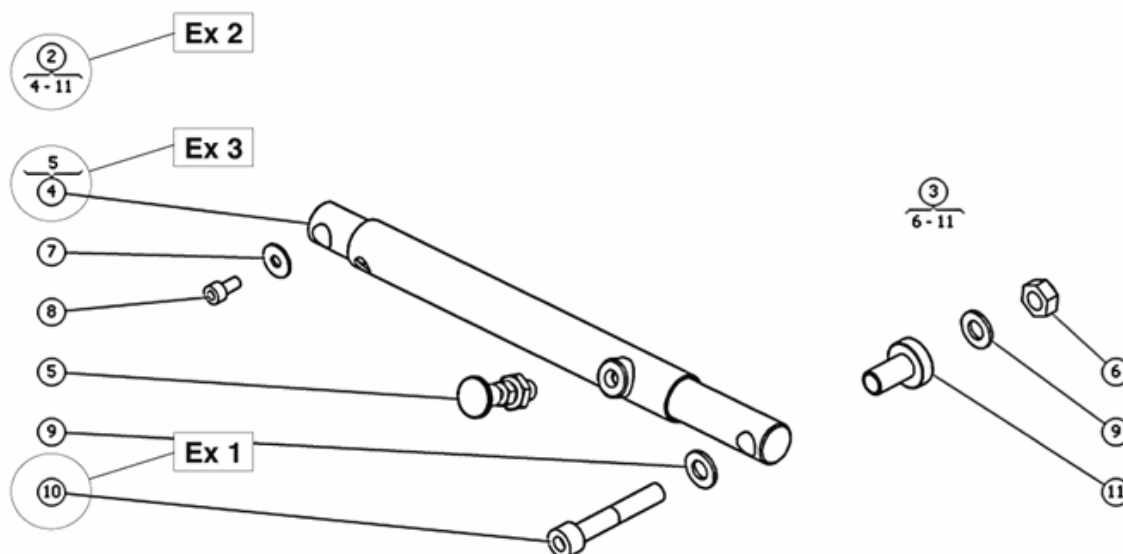
When you order spare parts, the following must always be specified:

- The product model (for example, power wheelchair C300).
- The description of the part. Always use the description used in this catalog.
- The entire part number.
- The quantity.

NB! In some cases, parts appear in the spare part catalog without a part number. This means that the part cannot be ordered from Permobil. We have, however, chosen to describe it for your information. Standard components such as screws, nuts, washers and similar parts can be purchased in an ordinary shop using the information in this catalog.

Parts

A part consists of one or more parts. If a part consists of several parts, a bracket in connection with the part's item bubble is used to show the parts included in the part in the exploded views. See examples 1, 2 and 3.



Example 1:

Position 10 refers to a single part, a screw.

Example 2:

Position 2 is a spare part consisting of the positions from 4 to 11.

Example 3:

Position 4 is an article that also includes position 5. In these cases the article or articles which referred to in the bracket, are pre-assembled on the main article (position 4).

Spare Parts Catalog

CONTACT PERMOBIL:

Permobil AB

Box 120

861 23 Timrå

Sverige

Tel: 060-59 59 00

Fax: 060-57 52 50

E-post: info@permobil.se

Permobil Inc. USA

300 Duke Drive

Lebanon, TN 37090

USA

Phone: 800-736-0925

Fax: 800-231-3256

Email: info@permobilusa.com

Permobil AS

Industriveien 16

Postboks 60

1483 Hagan Norge

Tlf. 815 30 077

Fax. 815 33 655

E-post: firmapost@permobil.no

Permobil Benelux BV

De Beitel 11

6466 GZ Kerkrade

Nederland

Tel: +31 (0)45 564 54 80

Fax: +31 (0)45 564 54 81

Email: info@permobil.nl

Notes

A series of horizontal dashed lines for writing notes.

Notes

A series of horizontal dashed lines for writing notes, consisting of 20 lines.



permobil
THE POWER OF MOBILITY