

SPARE PART CATALOG

K450

Permobil power wheelchair



K450

Spare Part Catalog Reservdelskatalog

CONTACT PERMOBIL:

Permobil AB

Box 120
861 23 Timrå
Sverige
Tel: 060-59 59 00
Fax: 060-57 52 50
E-post: info@permobil.se

Permobil Inc. USA

6961 Eastgate Blvd.
Lebanon, TN 37090
USA
Phone: 800-736-0925
Fax: 800-231-3256
Email: info@permobilusa.com

Permobil AS

Hvamsvingen 22
2013 Skjetten
Norge
Tlf. 48 12 90 00
Fax. 63 84 48 50
E-post: firmapost@permobil.no

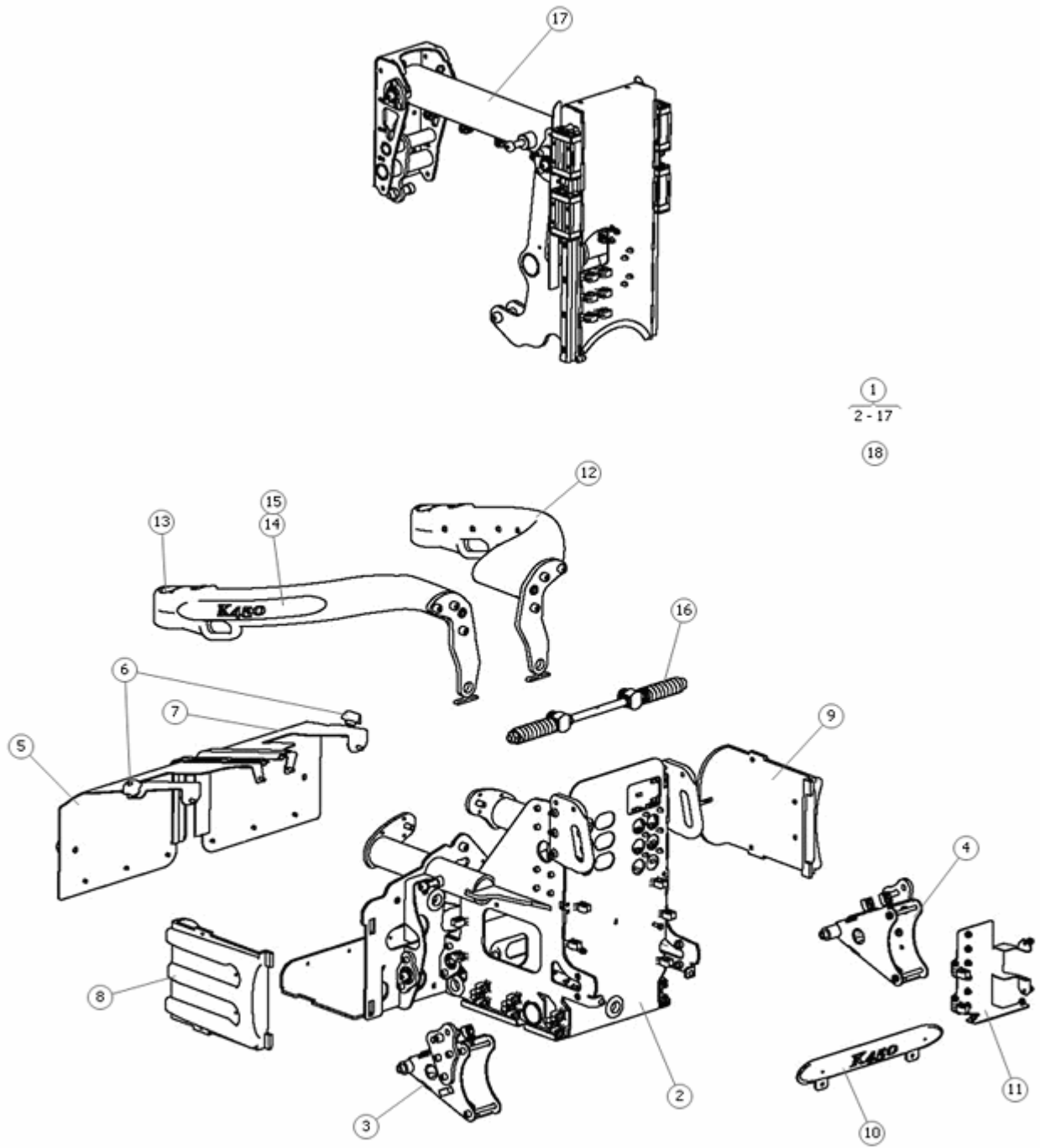
Permobil Europe BV

De Doom 22
NL-6419 CX Heerlen
Netherlands
Tel: +31 (0)45 564 54 90
Fax: +31 (0) 45 564 54 91
Email: europe@permobil.nl

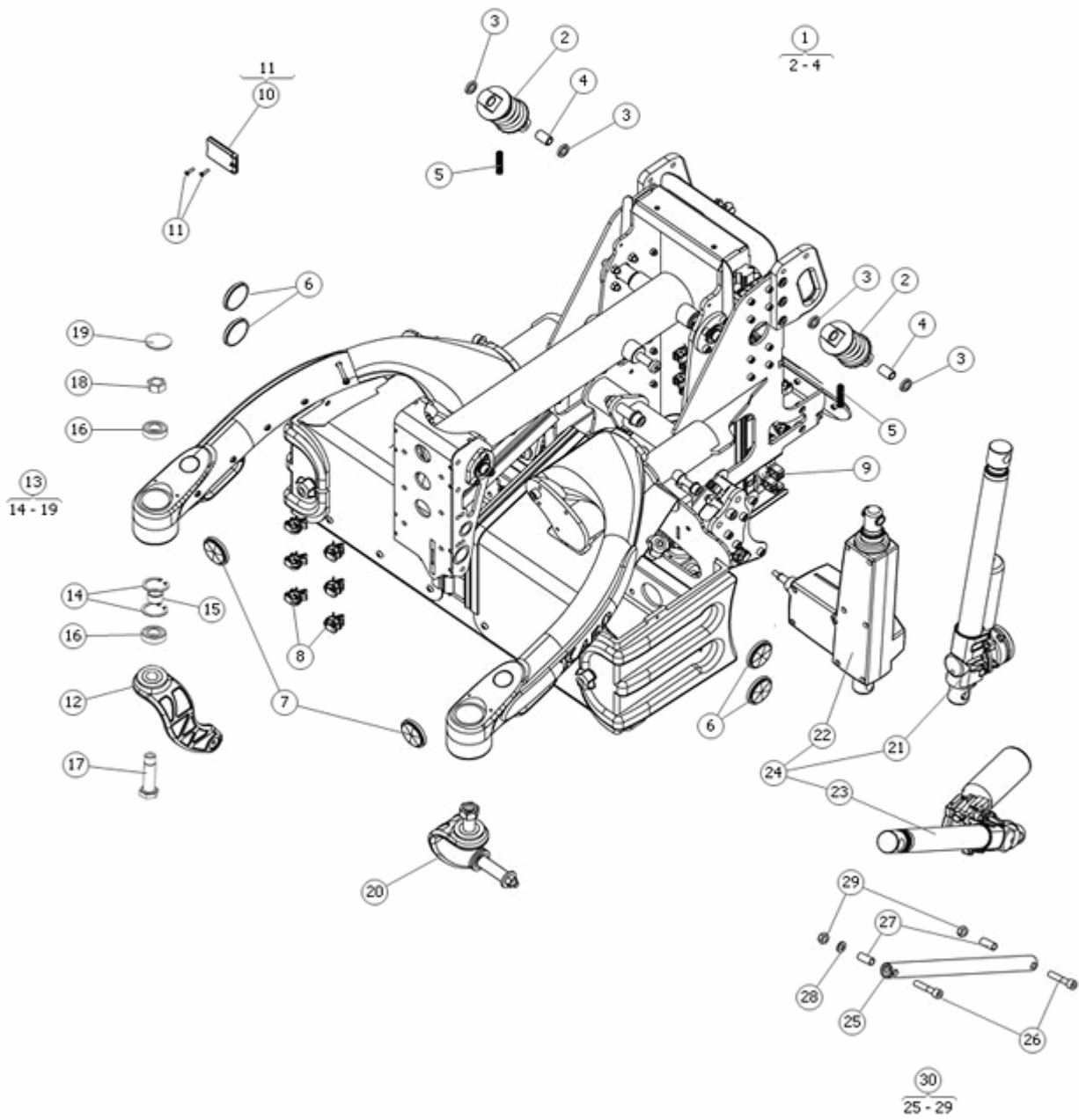
Produced and published by Permobil AB, Sweden
Edition no. 1, 2008-10
PAB: 1255-1

Contents	Page
Chassi frame	6 - 7
Chassi detail and functions	8 - 9
Motors.....	10 - 11
Covers.....	12 - 13
Wheels	14 - 15
Electronics.....	16 - 17
Seat frame.	18 - 19
Seat plate.	20 - 21
Backrest	22 - 23
Armrest	24 - 25
Footplate	26 - 27
Ordering Information	28 - 29

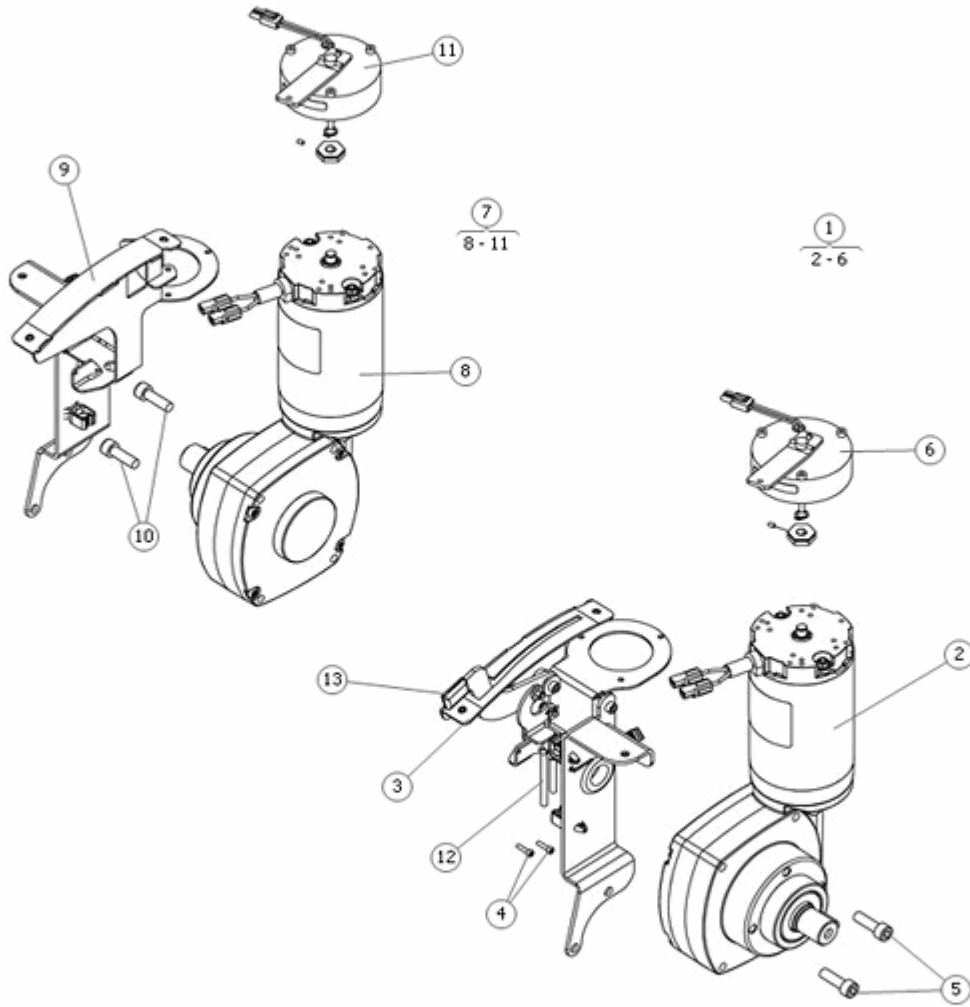
Innehåll	Sida
Chassi ram	6 - 7
Chassi detaljer och funktioner	8 - 9
Motorer	10 - 11
Kåpor	12 - 13
Hjul	14 - 15
Elektronik.....	16 - 17
Sitsram	18 - 19
Sitsplatta	20 - 21
Ryggstöd	22 - 23
Armstöd	24 - 25
Benstöd	26 - 27
Beställningsinformation	30 - 31



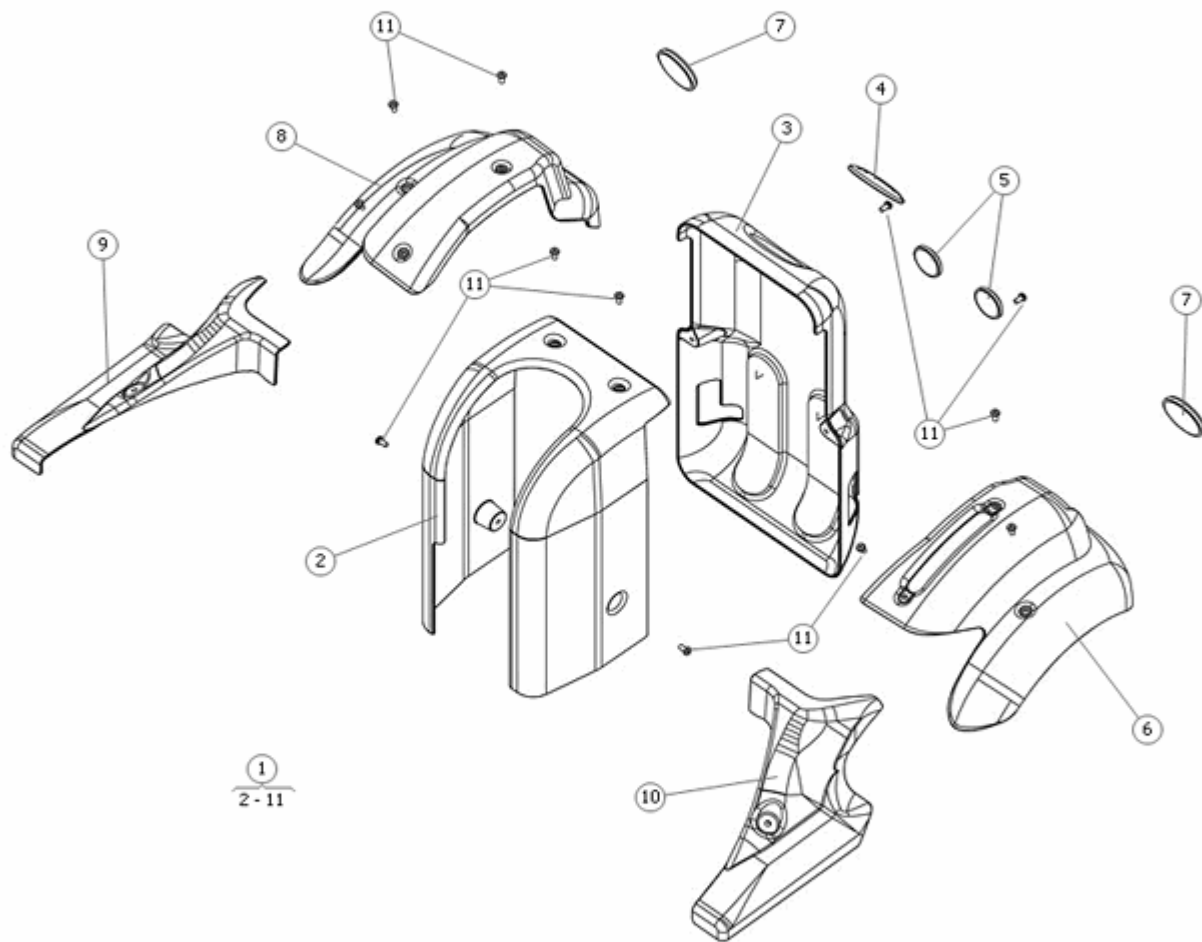
Pos	Qty	Stock Code	Description	Remark
1	1		CHASSI FRAME	
2	1		FRAME	
3	1	1824271	SWINGARM REAR LEFT	
4	1	1824270	SWINGARM REAR RIGHT	
5	1	1824329	BATTERY GUARD LEFT	
6	1	1824408	STAR HANDLE KIT FRONT	
7	1	1824330	BATTERY GUARD RIGHT	
8	1	1824328	BATTERY GUARD (RUBBER)	
9	1	1824328	BATTERY GUARD (RUBBER)	
10	1	1824272	BUMPER RUBBER STRIP	
11	1		GENERAL MODULE BRACKET	
12	1	1824268	SWINGARM FRONT RIGHT	
13	1	1824269	SWINGARM FRONT LEFT	
14	2	1824272	BUMPER RUBBER STRIP	
15	10		SCREW ISO 4762 M4x40 Fe/Zn	
16	1	1824322	FRONT SUSPENSION	
17	1	1824311	CENTER SLIDING CHASSIS	
18	1	1824317	DECAL SET K450	



Pos	Qty	Stock Code	Description	Remark
1	1	1824409	SHOCK ABSORBERS (pair)	
2	2	1820451	SHOCK ABSORBER REAR C300	
3	4		WASHER PA 11.92 x 17 x 3mm	
4	2		SPACER	
5	1	1824513	SPRING DF 1,2x8x40	
6	4	1820324	REFLECTOR SIDE STR EN	
7	2	1820314	REFLECTOR FRONT WHITE STR	
8	6	1821422	CABLE CLIP SET (4pcs)	4pcs/kit
9	10	602510-00-0	KABELFÄSTE HCMP06 B12-20	1pcs/kit
10	1	1824407	PROTECTION COVER	
11	2	600693-99-0	BOLT MF6S 3x12 fzb	
12	1	1820456	WHEELFORK RIGHT C300	
13	0	1822419	BOLT KIT WHEELFORK C350	
14	0	600751-99-0	CIRCLIP SGH 32	
15	0		SPACER	
16	0	600752-99-0	BALL BEAR 6002-2RS1	
17	0	1820457	BOLT WHEELFORK C300	
18	0		NUT DIN 934 M14X1,5 Fe/Zn	
19	0	311314-99-0	PL PLUG REAR WHEEL	
20	1	1820455	WHEELFORK LEFT C300	
21	1	1824320	ACTU LA28C 188+200(stroke)	
22	1	1824321	ACTU LA31 188+100(stroke)	
23	1	1824313	ACTU LA28C 156+200(stroke)	
24	1	1824273	BOLT KIT ACTUATORS K450	
25	1		Link tube	
26	2	601227-99-0	BOLT MC6S 10x 50 fzb	
27	2		Spacer L=30	
28	1	600241-99-0	WASH BRB 10.5x20x2 fzb	
29	2	600229-99-0	LOCK NUT M10 fzb ISO 7040	
30	1	1824314	FIXED SEAT ASSEMBLY	

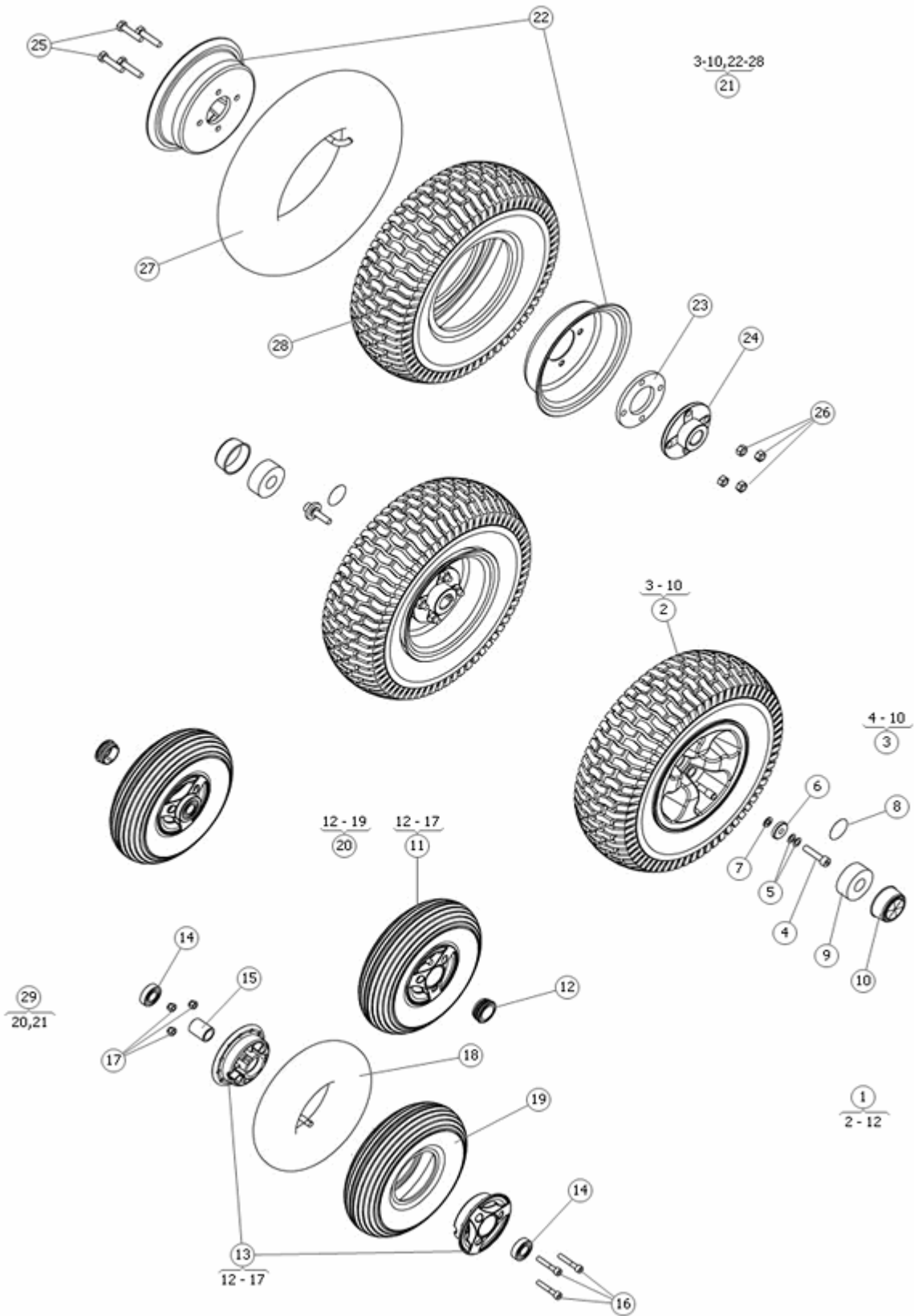


Pos	Qty	Stock Code	Description	Remark
1	1		DRIVINGD UNIT LEFT	
2	1	1824263	DRIVM/GEAR 29:1 LEFT 250W	
3	1	1824266	BRAKE RELEASE/MOTOR BRACK	
4	2		SCREW ISO 4762 M3x12	
5	2	1824279	SCREW M8x25 8.8 Fe/Zn 5 C	
6	1	1824262	MAGNETIC WHEEL LOCK 4,0Nm	
7	1		DRIVING UNIT RIGHT	
8	1	1824264	DRIVM/GEAR 29:1 RIGHT 250	
9	1	1824265	BRAKE RELEASE/MOTOR BRACK	
10	2	1824279	SCREW M8x25 8.8 Fe/Zn 5 C	
11	1	1824262	MAGNETIC WHEEL LOCK 4,0Nm	
12	1	1824415	WIRE KIT BRAKE RELEASE	
13	1	1824267	CAP BRAKE RELEASE	

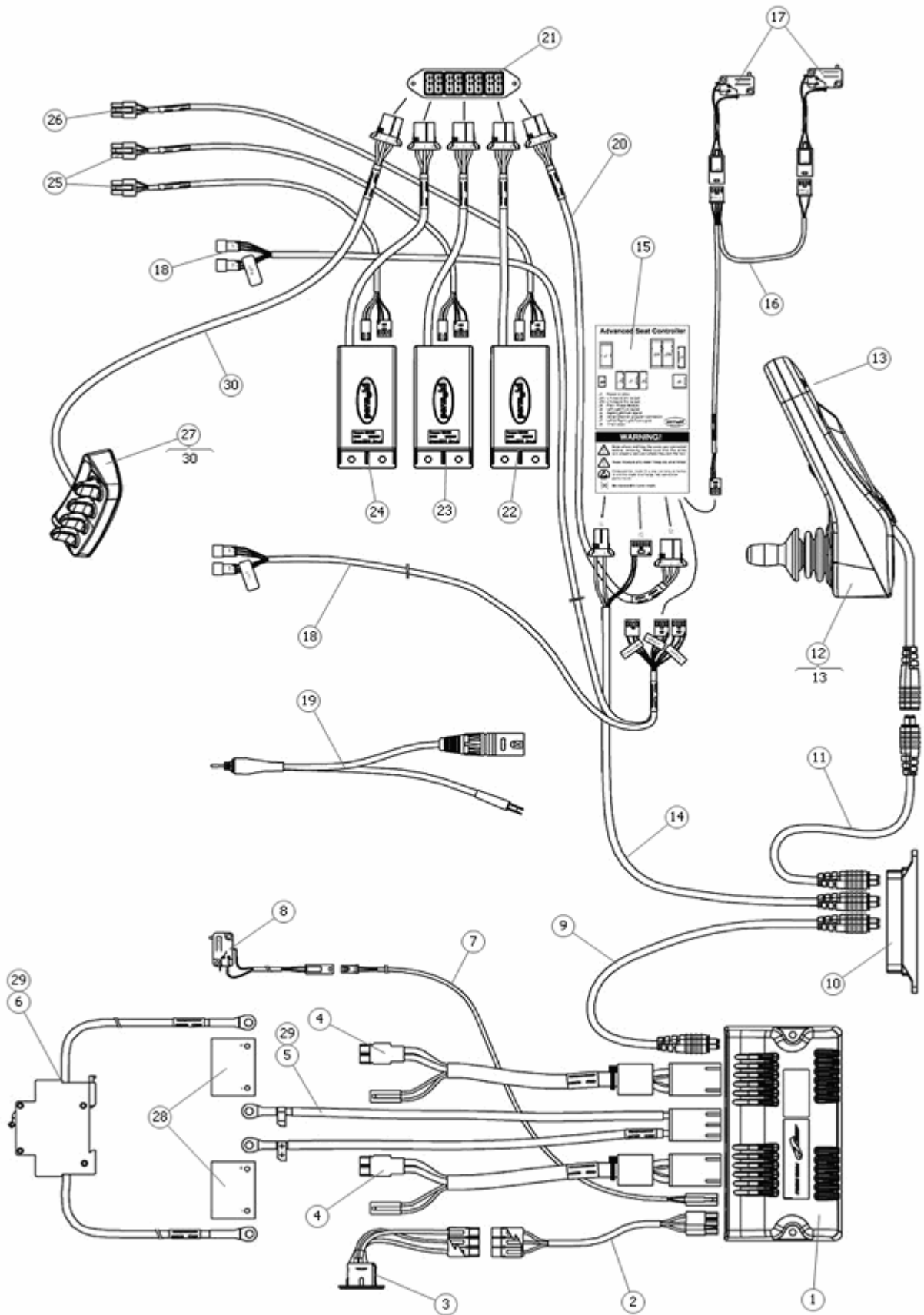


1
2-11

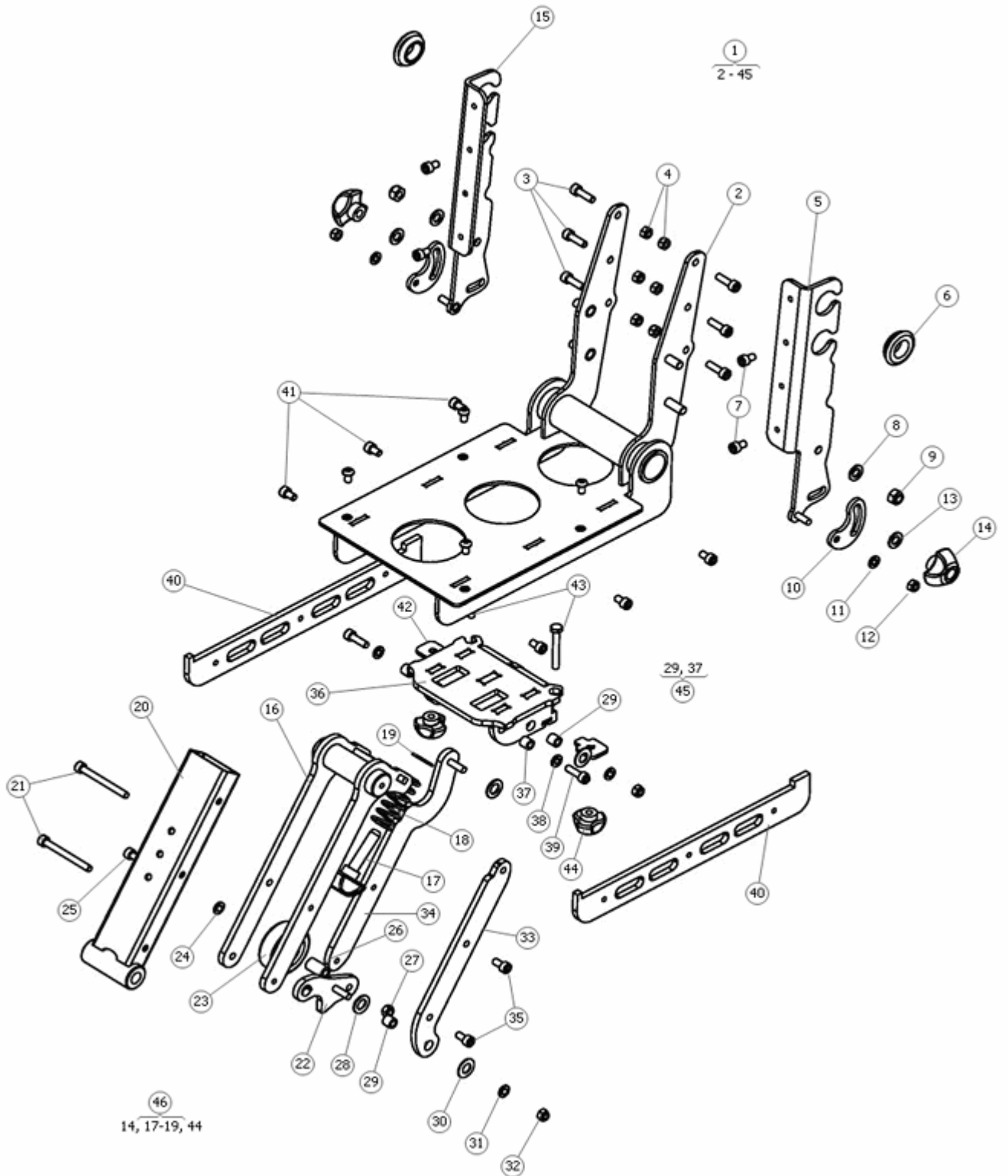
Pos	Qty	Stock Code	Description	Remark
1	1	1824303	COVERSET K450 RED	
1	1	1824304	COVERSET K450 BLACK	
1	1	1824305	COVERSET K450 SILVER	
1	1	1824306	COVERSET K450 PINK	
1	1	1824307	COVERSET K450 BLUE	
1	1	1824308	COVERSET K450 YELLOW	
2	1		COVER SEAT ELEVATOR	
3	1		COVER CHASSI REAR	
4	1	306200-99-0	DEKAL "PERMOBIL"	
5	1	1821057	REFLECTOR REAR Ø 40 RED	
6	1		COVER REAR WHEEL LEFT	
7	1	602567-99-0	REFLECTOR REAR CH2k	
8	1		COVER RESR. WHEEL RIGHT	
9	1		COVER BATTERY RIGHT	
10	1		COVER BATTERY LEFT	
11	1		SCREW ISO 7380 M5x10 Fe/Zn	



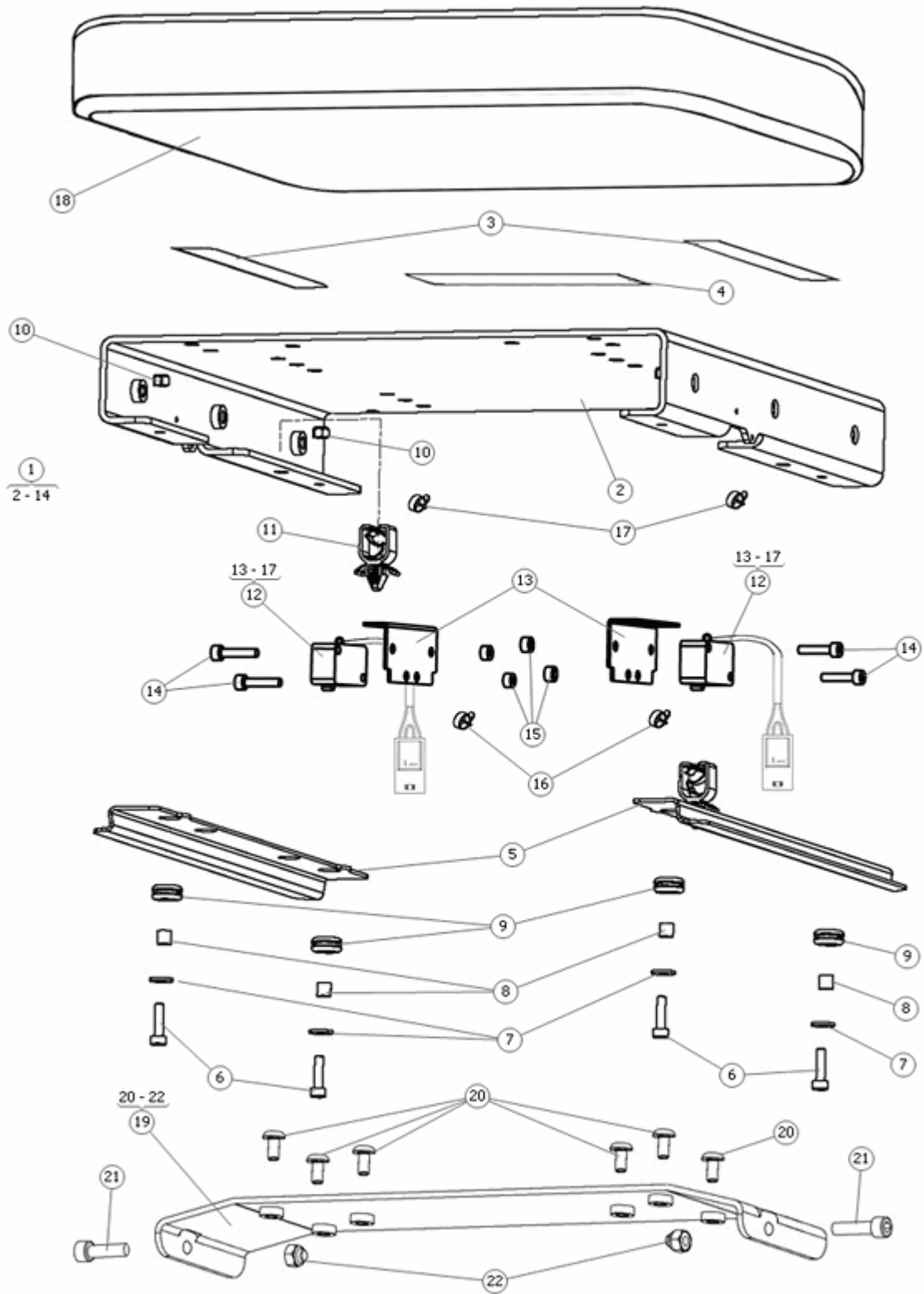
Pos	Qty	Stock Code	Description	Remark
1	1	1824247	WHEEL KIT SOLID K450	
2	2	1824277	WHEEL 13x5,00-6" SOLID	
3	2	1824243	SCREW ASSEMBLY WHEEL	
4	2	1821251	SCREW M8x35 10,9 LOCK	
5	4	1821421	ACTUATOR STEERING X850	
6	2		WASH 8,4x23x5 HB 305	YELLOW
7	2	1821250	WASH 8,4x 15x 1,5 NYLON	
8	2		STICKER	
9	2		GASKET	
10	2	1824277	WHEEL 13x5,00-6" SOLID	
11	2	1822415	WHEEL 210x65 SOLID 3-	
12	2	1823146	PLASTIC PLUG RIM	
13	2	1822416	RIM 210x65 3-SPOKE	
14	4		BALL BEAR 6002-2RS1	
15	2	316386-99-0	SPACER	
16	6	601333-99-0	BOLT MC6S 6x35 fzb	
17	6	1821261	LOCK NUT M6 HIGH fzb	
18	2	602568-99-0	TUBE 210x65 REAR CH2k	
19	2	602569-08-0	TIRE 210x65 REAR AIR	
20	2	1824218	WHEEL 210x65 AIR 3-SPOKE	
21	2	1824278	WHEEL 13x5,00-6" AIR	
22	2		RIM	
23	2		SPACER	
24	2		HUB	
25	8		SCREW ISO 4017 M8x35 Fe/Zn	
26	8	600228-99-0	LOCK NUT M8 FZB	
27	2	1824316	TUBE 13x5,00-6"	
28	2	1824315	TIRE 13x5,00-6"	
29	1	1824248	WHEEL KIT AIR K450	



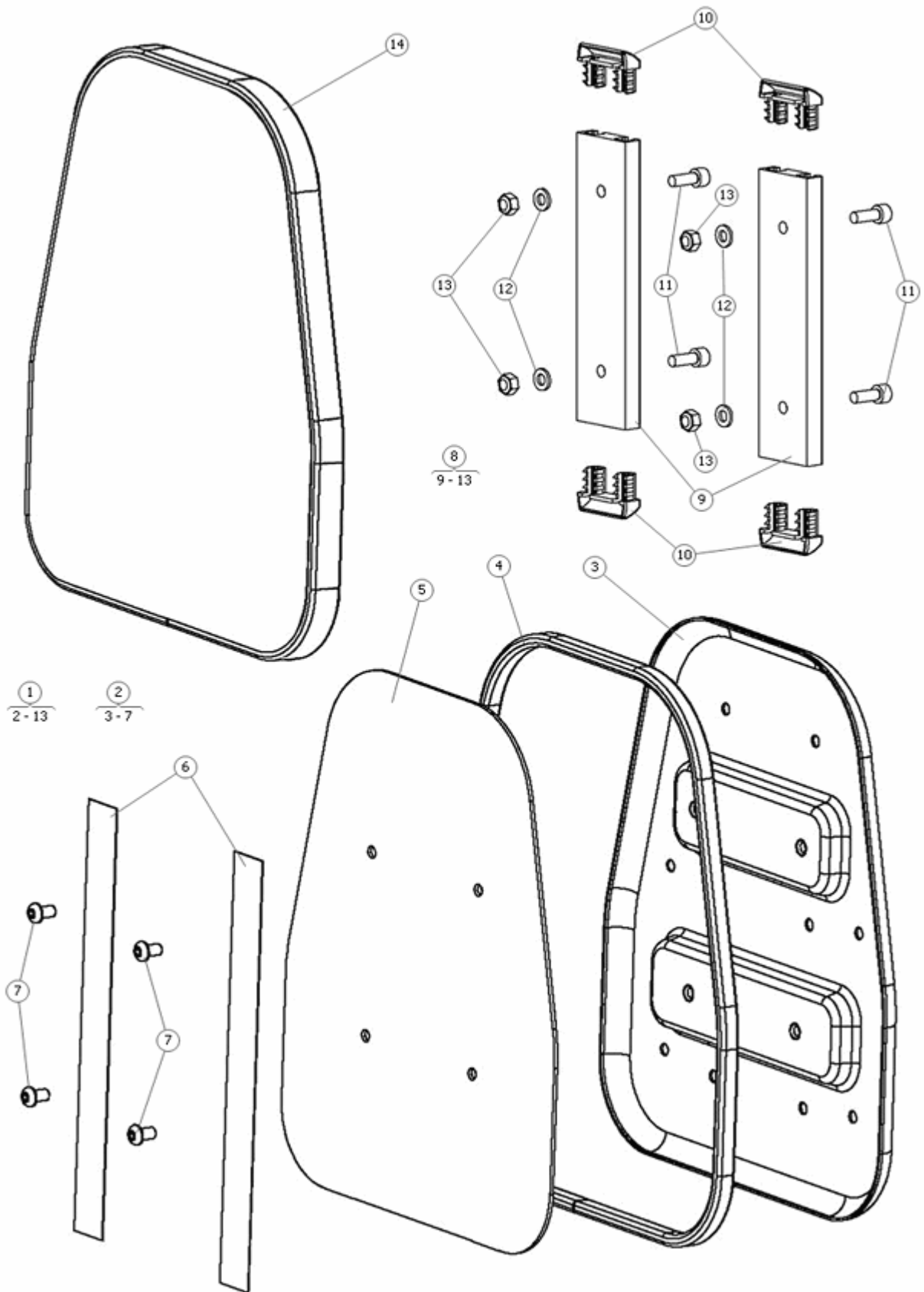
Pos	Qty	Stock Code	Description	Remark
1	1	1822393	ELEKTRONICS R-NET PM120	
1	1		R-NET POWER MODULE - 120A	
2	1	1822823	CABLE OBC CHARGE R-NET	
3	1	311060-00-0	CHARGER CONNECTOR XLR USA	
4	2	1822376	CABLE MOTOR C300 C350	
5	1	1824280	CABLE BATTERY 1000mm	
6	1	1824287	FUSE 63A INCL. CABLE	
7	1	1824282	CABLE BRAKE RELEASE R-NET	
8	1	1821513	SWITCH BRAKE RELEASE X850	
9	1	1821538	CABLE BUS 0,5M R-NET	
9	1		R-NET BUS CABLE 0,5m MALE TO MALE	
10	1	1821537	CONNECTOR BLOCK 4-POS	
10	1		R-NET BUS 4 PORT BLOCK	
11	1	1821526	CABLE UPPER 2,5M R-NET	
11	1		R-NET BUS CABLE 2,5m MALE TO MALE	
12	1	1822389	CTRL PANEL R-NET JSM-L-SW	
12	1	1822390	CTRL PANEL TOGGLE SWITCH	
12	1		R-NET JSM STD L, W/ MONO JACKS	
12	1		R-NET JSM L W/ TOGGLE	
12	1		R-NET JSM L W/ SPEED POT	
12	1		R-NET JSM SPD POT & TOGGL	
12	1		R-NET LED JSM	
13	1	1824344	DECAL "CHARGER 10A"	
14	1	1824281	CABLE ICS 450mm MAIN MOD.	
15	1	1821535	PCB INCL BOX ICS MASTER	
16	1	1824289	CABLE CRUSH PROT. SWITCH	
17	2	1824241	CRUSH PROTECT SWITCH	
18	1	1824283	CABLE ADAPTER LIGHTS	
19	1	1824288	CABLE JUMP START ACTUATOR	
20	1	1824284	CABLE ICS 400mm	
21	1	1821304	JUNCTION BOX RS	
22	1	1821382	ELECTRONICS ICS SEAT	
23	1	1823034	ELECTRONICS ICS RECLINE	
24	1	1822288	ELECTRONICS ICS SOFT POT	
25	2	1824286	CABLE ACTUATOR 800mm	
26	1	1824285	CABLE ACTUATOR 500mm	
27	1	1821915	SWITCH BOX ICS TOGGLE VS	
27	1	1824120	SWITCHBOX ICS BUTTONS VS	
28	2	603073-99-0	ACCU 60AMH GEL	
29	1	1821416	POLE PROTECTION KIT	Incl 4 pc
30	1	1825147	CABLE SW. BOX ICS L=3000m	



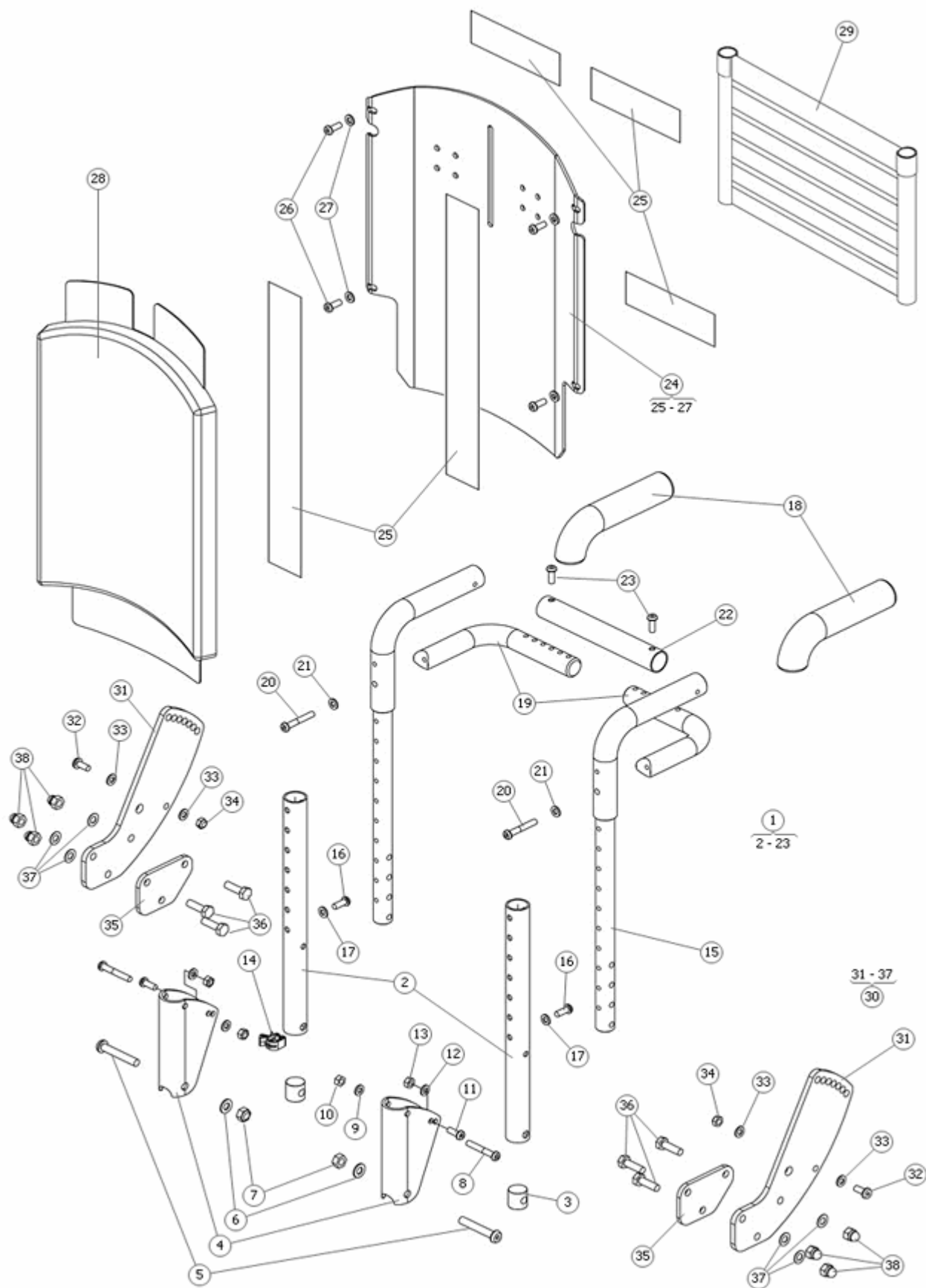
Pos	Qty	Stock Code	Description	Remark
1	1	1824244	SEAT FRAME	
2	1		SEAT FRAME	
3	6	600194-99-0	BOLT MC6S 6x20 fzb	
4	6	600227-99-0	LOCK NUT M6 fzb ISO 7040	
5	1		BACKREST BRACKET LEFT	
6	2		GROMMET	
7	4	600888-99-0	BOLT MC6S 6x10 fzb	
8	2	600239-99-0	WASH BRB 8.4x16x1.6 fzb	
9	2	600228-99-0	LOCK NUT M8 FZB	
10	2		BACKREST CAM PLATE	
11	2	600238-99-0	WASH BRB 6.4x12x1.5 fzb	
12	2	600227-99-0	LOCK NUT M6 fzb ISO 7040	
13	2	600239-99-0	WASH BRB 8.4x16x1.6 fzb	
14	2		HANDLE M8 NUT	Technodin 1138 40 403
15	1		BACKREST BRACKET RIGHT	
16	1		FRAME LEGREST	
17	1		HANDLE M10 SCREW	Technodin 1138 40 510
18	1		SPRING	
19	1		WASHER PLASTIC 10x23x1,6	
20	1		FOOTPLATE BRACKET	
21	2		SCREW ISO 4762 M6x60 Fe/Zn	
22	1		LINK	
23	1		WHEEL 50x18	
24	1	600238-99-0	WASH BRB 6.4x12x1.5 fzb	
25	1		SCREW ISO 4762 M6x55 Fe/Zn	
26	1		SPACER	
27	1	600227-99-0	LOCK NUT M6 fzb ISO 7040	
28	2		WASHER PLASTIC 11,2x19,1x1,6	
29	2		BUSHING	
30	2		CUP WASHER	
31	2	600238-99-0	WASH BRB 6.4x12x1.5 fzb	
32	2	600227-99-0	LOCK NUT M6 fzb ISO 7040	
33	1		PARALLEL ROD	
34	1		PARALLEL ROD	
35	2	600192-99-0	BOLT MC6S 6x12 fzb	
36	1		LEGREST BRACKET	
37	2		BUSHING	
38	2	600238-99-0	WASH BRB 6.4x12x1.5 fzb	
39	2	600194-99-0	BOLT MC6S 6x20 fzb	
40	2		GUIDE RAIL	
41	6	600888-99-0	BOLT MC6S 6x10 fzb	
42	2		LOCKING PLATE	
43	2		SCREW ISO 4014 M6x45 Fe/Zn	
44	2		HANDLE M6 NUT	Technodin 1138 32 401
45	2	1824416	BUSHING KIT	
46	1	1824343	STAR HANDLE KIT K450	



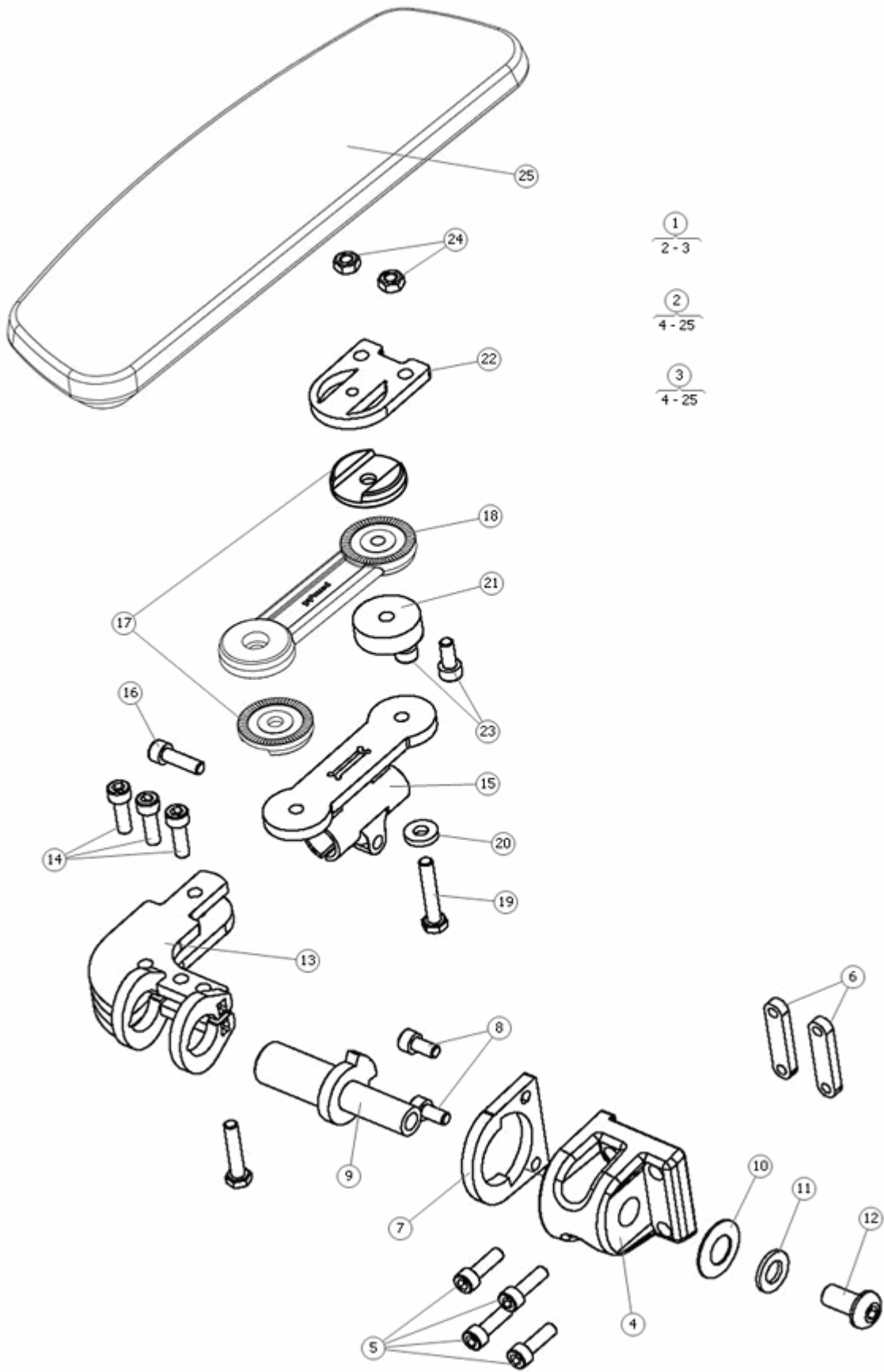
Pos	Qty	Stock Code	Description	Remark
1	1	1824237	SEATPLATE 250	
1	1	1824238	SEATPLATE 300	
1	1	1824239	SEATPLATE 350	
1	1	1824240	SEATPLATE 400	
2	1		SEAT PLATE	
3	2		VELCRO L=240mm	
4	1		VELCRO L=150mm	
5	2		CRUSH GUARD	
6	4	600272-99-0	BOLT MC6S 4x16 fzb	
7	4		WASHER DIN 7349 Fe/Zn 4,3x12x1,6	
8	4		SPACER NYLON M4x8x4,8	Hi-Q-01-4NA06N
9	4		GROMMET Hi-Q-22-RG09	Hi-Q-22-RG09
10	4	600225-99-0	LOCK NUT M4 FZB	
11	2	602510-00-0	KABELFÄSTE HCMP06 B12-20	
12	2	1824241	CRUSH PROTECT SWITCH	
13	2		BRACKET SWITCH	
14	4		SCREW ISO 10642 M3x20 Fe/Zn	
15	4		NUT DIN 985 M3 Fe/Zn	
16	2		CABLE TIE 3,5x150	
17	2		CABLE TIE 4,6x300	
18	1	306384-99-3	SEAT CUSH ERGO 250x250	Cartoon
18	1	306384-99-9	SEAT CUSH ERGO 250x250 MF	Skai
18	1	306385-99-3	SEAT CUSH ERGO 300x300	Cartoon
18	1	306385-99-9	SEAT CUSH ERGO 300x300 MF	Skai
18	1	306386-99-3	SEAT CUSH ERGO 350x350	Cartoon
18	1	306386-99-9	SEAT CUSH ERGO 350x350 MF	Skai
18	1	306384-99-6	SEAT CUSH ERGO 250x250	Mesh
18	1	306385-99-6	SEAT CUSH ERGO 300x300	Mesh
18	1	306386-99-6	SEAT CUSH ERGO 350x350	Mesh
18	1	1824844	SEAT CUSHION 400X400 MESH	Mesh
18	1	1824845	SEAT CUSHION 400x400 SKAI	Skai
19	1	1824234	SUPPORT PS jr BACK 300mm	W=300
19	1	1824235	SUPPORT PS jr BACK 350mm	W=350
19	1	1824236	SUPPORT PS jr BACK 400mm	W=400
20	6	600736-99-0	BOLT K6S 6x10 fzb	
21	2	600194-99-0	BOLT MC6S 6x20 fzb	
22	2	600227-99-0	LOCK NUT M6 fzb ISO 7040	



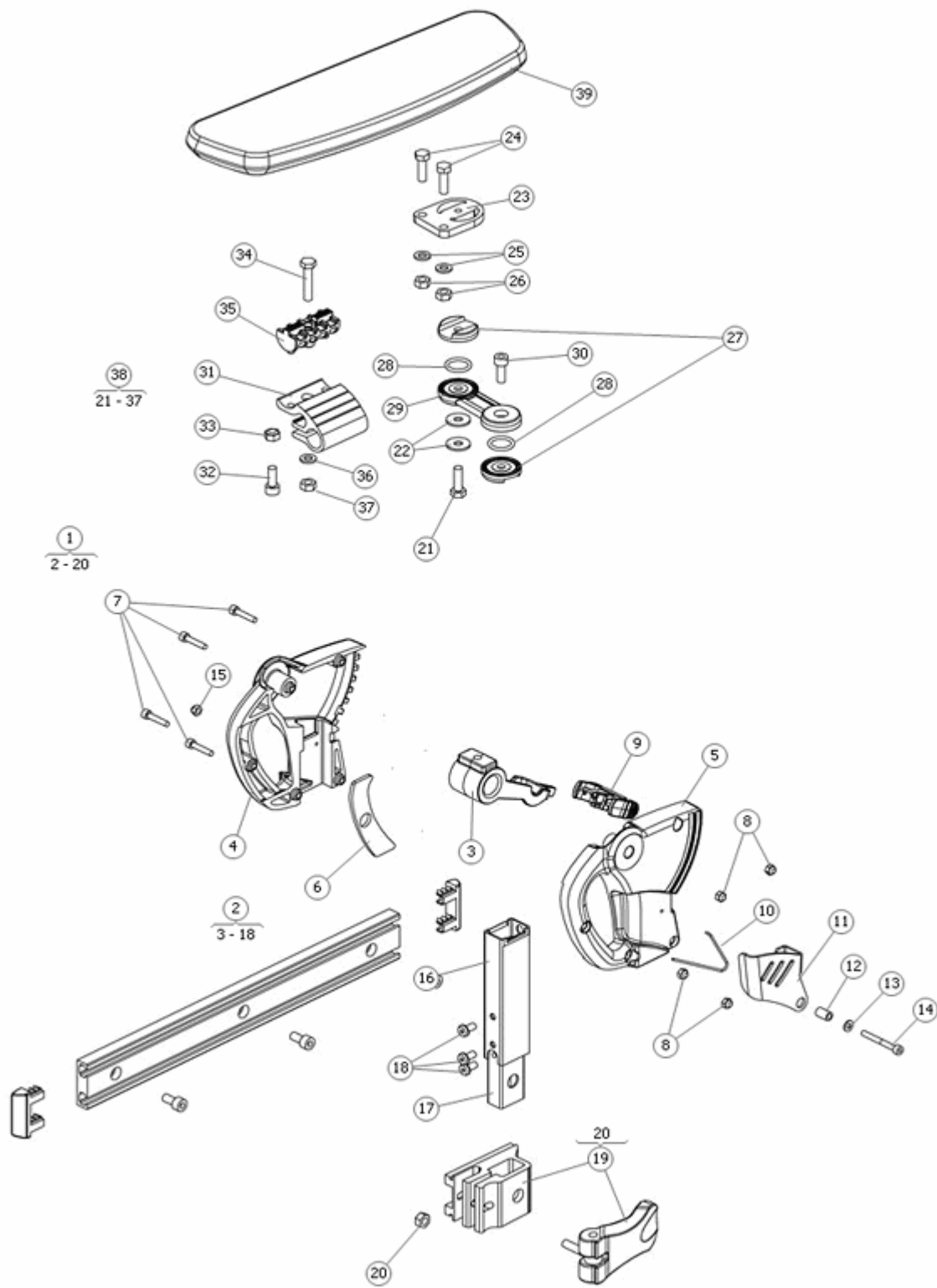
Pos	Qty	Stock Code	Description	Remark
1	1	1824231	BACKREST 250	
1	1	1824232	BACKREST 300	
1	1	1824233	BACKREST 350	
2	1		BACKREST PLATE KIT	
3	1		COVER BACKREST	
4	1	1824411	EDGE MOULDING 1500mm.	
5	1		PLATE	
6	2	600587-99-0	VELCRO HOOK SELF,ADHES	
7	4	600736-99-0	BOLT K6S 6x10 fzb	
8	1		UNITRAK BRACKET KIT	
9	2		UNITRAK BAR	
10	4	1824301	PLASTPL 11x40	
11	4	600743-99-0	BOLT MC6S 6x16 fzb	
12	4	600238-99-0	WASH BRB 6.4x12x1.5 fzb	
13	4	600227-99-0	LOCK NUT M6 fzb ISO 7040	
14	1	306381-99-3...	BACKR CUSH ERGO 250x350	Cartoon
14	1	306382-99-3...	BACKR CUSH ERGO 300x400	Cartoon
14	1	306383-99-3...	BACKR CUSH ERGO 350x500	Cartoon
14	1	306381-99-9...	BACK CUSH ERGO 250x350 MF	Skai
14	1	306382-99-9...	BACK CUSH ERGO 300x400 MF	Skai
14	1	306383-99-9...	BACK CUSH ERGO 350x500 MF	Skai
14	1	306381-99-6...	BACKR CUSH ERGO 250x350	Mesh
14	1	306382-99-6...	BACKR CUSH ERGO 300x400	Mesh
14	1	306383-99-6...	BACKR CUSH ERGO 350x500	Mesh



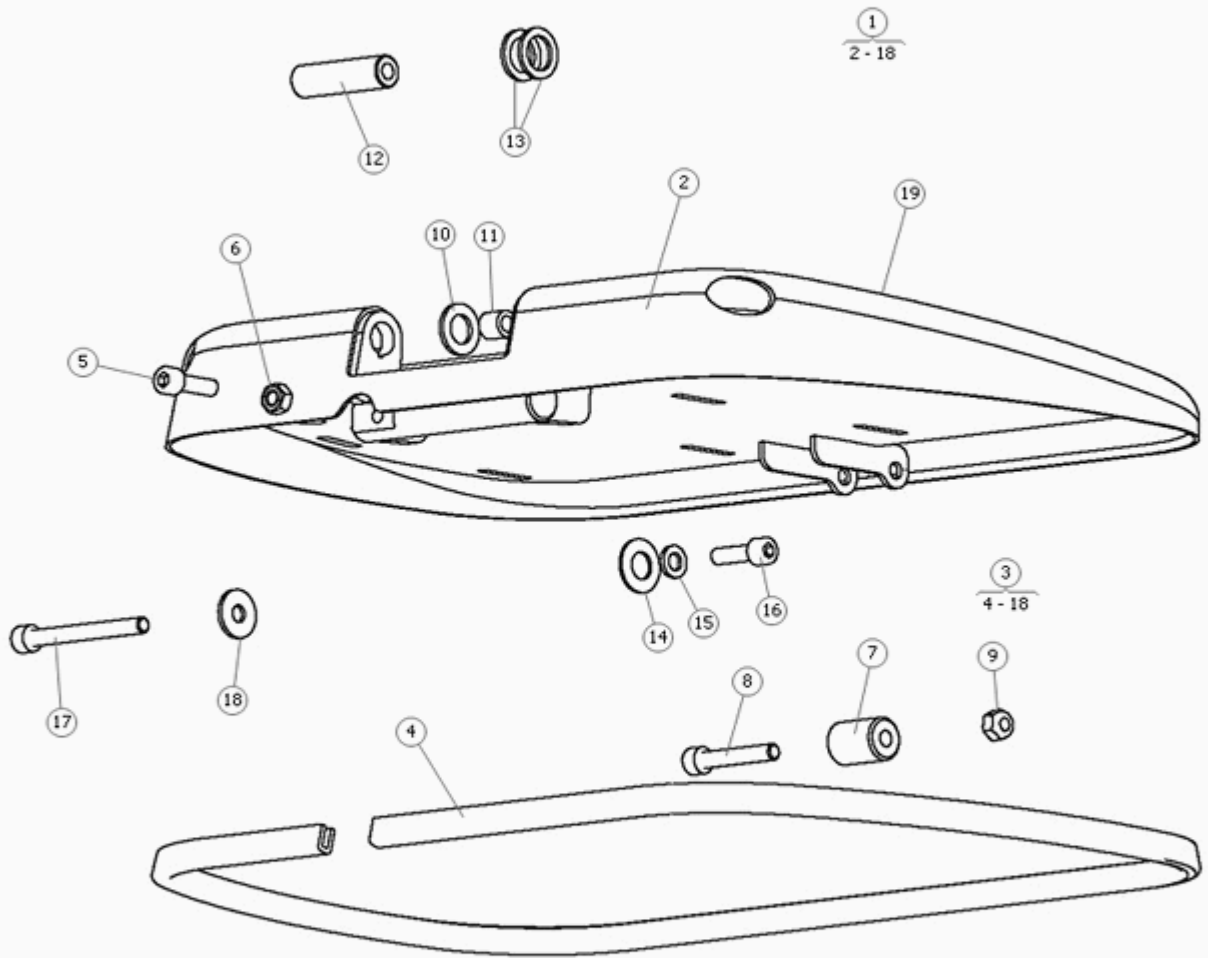
Pos	Qty	Stock Code	Description	Remark
1	1	1822974	FRAME BACKREST PS-JUNIOR	
2	2		TUBE BACKREST	
3	2		BACKREST BAR	
4	2		ADJUSTMENT BRACKET	
5	2	602631-99-0	BOLT K6S 8x50 fzb	
6	2	600239-99-0	WASH BRB 8.4x16x1.6 fzb	
7	2	600228-99-0	LOCK NUT M8 FZB	
8	2		SCREW ISO 7380 M6x40 Fe/Zn	
9	2	600238-99-0	WASH BRB 6.4x12x1.5 fzb	
10	2	600227-99-0	LOCK NUT M6 fzb ISO 7040	
11	2	601675-99-0	BOLT K6S 6x16 fzb	
12	2	600238-99-0	WASH BRB 6.4x12x1.5 fzb	
13	2	600227-99-0	LOCK NUT M6 fzb ISO 7040	
14	1	1821422	CABLE CLIP SET (4pcs)	
15	2		BACKREST BAR	
16	2	601675-99-0	BOLT K6S 6x16 fzb	
17	2	600238-99-0	WASH BRB 6.4x12x1.5 fzb	
18	2	1823365	HANDLE GRIP Ø21-25,4	
19	2		BACKREST TUBE	
20	2		SCREW ISO 7380 M6x40 Fe/Zn	
21	2	600238-99-0	WASH BRB 6.4x12x1.5 fzb	
22	1		TUBE	
23	2	601675-99-0	BOLT K6S 6x16 fzb	
24	1	1822709	BACKREST SOLID 280mm/	
24	1	1822710	BACKREST SOLID 300mm/	
24	1	1822711	BACKREST SOLID 330mm/	
24	1	1822712	BACKREST SOLID 360mm/	
24	1	1822713	BACKREST SOLID 380mm/	
24	1	1822714	BACKREST SOLID 410mm/	
25	5		VELCRO TAPE 50mm	
26	4	601675-99-0	BOLT K6S 6x16 fzb	
27	4	600238-99-0	WASH BRB 6.4x12x1.5 fzb	
28	1	1822798	BACKREST CUSHION 11"	H=400mm
28	1	1822799	BACKREST CUSHION 12"	H=400mm
28	1	1822800	BACKREST CUSHION 13"	US ADDED
28	1	1822801	BACKREST CUSHION 14"/360m	US ADDED
28	1	1822802	BACKREST CUSHION 15"	US ADDED
28	1	1822803	BACKREST CUSHION 16"	US ADDED
28	1	1825317	BACKR CUSHION 11"/280x340	H=340mm
28	1	1825318	BACKR CUSHION 12"/300x340	H=340mm
28	1	1824862	BACKR CUSH SLINGBACK PSjr	
29	1	1824864	BACKREST SLINGBACK PSjr	
30	1	1822708	BACKREST HINGE	
31	2		Bracket plate	
32	2	601159-99-0	BOLT K6S 5x12 fzb	
33	2	600237-99-0	WASH BRB 5.3x10x 1 fzb	
34	2	600226-99-0	LOCK NUT M5 FZB	
35	2		Spacer	
36	6	600222-99-0	BOLT M6S 6x20 fzb	
37	1		Washer DIN 137B 6.4x12x0,5 Fe/ZN	
38	6		Nut DIN 986 M6 Fe/Zn	



Pos	Qty	Stock Code	Description	Remark
1	1	1824200	ARMREST KIT K450	
2	1	1824226	ARMR ASSY LEFT	
3	1	1824227	ARMR ASSY RIGHT	
4	1		PIVOT BLOCK	
5	8	600194-99-0	BOLT MC6S 6x20 fzb	
6	4		NUT PLATE	
7	2		STOP BRACKET ARMREST	
8	4	600192-99-0	BOLT MC6S 6x12 fzb	
9	2		PIVOT ASSY	
10	2	600700-99-0	CUP SPRING 28x14.2x1	
11	2	600241-99-0	WASH BRB 10.5x20x2 fzb	
12	2		SCREW ISO 7380 M10x20 Fe/Zn	
13	1		CURVE ARMREST	
13	1		CURVE ARMREST	
14	6	600194-99-0	BOLT MC6S 6x20 fzb	
15	2		PANEL HOLDER	
16	2	600194-99-0	BOLT MC6S 6x20 fzb	
17	4	1823502	ADJUSTMENT DISC (TEETH)	
18	2		LINK	
19	2	602786-99-0	BOLT M6S 6x35	
20	2		WASHER ISO 7089 10.5x20x2 Fe/Zn	
21	2		SPACER	
22	2		BRACKET ARMREST PAD	
23	4	600193-99-0	BOLT MC6S 6x14 fzb	
24	4	600232-99-0	NUT M6M 6 fzb	
25	2	1821695	CUSHION mod C 200x90	
25	2	1821696	CUSHION mod G 300x90	



Pos	Qty	Stock Code	Description	Remark
1	1	1822716	ARMREST ADJ. LEFT	
1	1	1822715	ARMREST ADJ. RIGHT	
2	1		ARMREST ADJUSTMENT KIT	
3	1		ARM	
4	1		BODY ARMREST	
5	1		BODY ARMREST	
6	1		BRACKET	
7	4		SCREW ISO 4762 M4x20 Fe/Zn	
8	4	600225-99-0	LOCK NUT M4 FZB	
9	1	1822724	LOCK ARMREST	
10	1		SPRING RIGHT	
10	1		SPRING LEFT	
11	1		LOCK LEFT	
11	1		LOCK RIGHT	
12	1		SPACER	
13	1	601296-99-0	WASH BRB 4.3x 9x0.8 fzb	
14	1	602233-99-0	BOLT MC6S 4x35	
15	1	600225-99-0	LOCK NUT M4 FZB	
16	1		TUBE	
17	1		TUBE	
18	3	601353-99-0	BOLT K6S 5x10 fzb	
19	1	1822723	CLAMP ARMREST	
20	1	600227-99-0	LOCK NUT M6 fzb ISO 7040	
21	1	600222-99-0	BOLT M6S 6x20 fzb	
22	2		WASHER, ISO 7093-1 6.4x18x1.6 fzb	
23	1		Bracket plate	
24	2	600222-99-0	BOLT M6S 6x20 fzb	
25	2	600238-99-0	WASH BRB 6.4x12x1.5 fzb	
26	2	600227-99-0	LOCK NUT M6 fzb ISO 7040	
27	2	1824226	ARMR ASSY LEFT	
28	2	1823501	RUBBER RING 15,3x2,4	
29	1	1823205	BRACKET PANELHOLDER	
30	1	600743-99-0	BOLT MC6S 6x16 fzb	
31	1		Bracket panelholder	
32	1	600743-99-0	BOLT MC6S 6x16 fzb	
33	1	600227-99-0	LOCK NUT M6 fzb ISO 7040	
34	1		Screw ISO 4017 M6x30 Fe/Zn	
35	2		Profile adapter	
36	1	600238-99-0	WASH BRB 6.4x12x1.5 fzb	
37	1	600227-99-0	LOCK NUT M6 fzb ISO 7040	
38	1	1824867	ARMR ASSY UNITRACK PSjr	One side
39	1	1821695	CUSHION mod C 200x90	
39	1	1821696	CUSHION mod G 300x90	



Pos	Qty	Stock Code	Description	Remark
1	1	1824197	FOOTPL WIDE K450	
1	1	1824196	FOOTPL NARROW K450	
2	1		FOOTPLATE BODY	
2	1		FOOTPLATE BODY SMALL	
3	1	1824417	FOOTPLATE HARDWARE	
4	1		EDGE PROTECTION PROF L=1046	
5	1	600194-99-0	BOLT MC6S 6x20 fzb	
6	1	600232-99-0	NUT M6M 6 fzb	
7	1		ROLL	
8	1	601333-99-0	BOLT MC6S 6x35 fzb	
9	1	600227-99-0	LOCK NUT M6 fzb ISO 7040	
10	1		SPACER WASHER	
11	1		SPACER	
12	1		SPACER	
13	2		PLASTIC WASHER HI-Q PNW13-19A	
14	1		SPRING WASHER WBELXM10	WBELXM10
15	1	600238-99-0	WASH BRB 6.4x12x1.5 fzb	
16	1	600194-99-0	BOLT MC6S 6x20 fzb	
17	1		SCREW ISO 4762 M6x55 Fe/Zn	
18	1		WASHER, ISO 7093-1 6,4x18x1,6 fzb	
19	1	1824198	RUBBER PROTECT FOOTPL NAR	
19	1	1824199	RUBBER PROTECT FOOTPL WID	

When you order spare parts, the following must always be specified:

- The product model (for example, power wheelchair C300).
- The description of the part.
- always use the description used in this catalog.
- The entire part number.
- The quantity.

NB! In some cases, parts appear in the spare part catalog without a part number. This means that the part cannot be ordered from Permobil. We have, however, chosen to describe it for your information. Standard components such as screws, nuts, washers and similar parts can be purchased in an ordinary shop using the information in this catalog.

Description of Positioning list

The positioning list consist of:

A = Indicates the sparepart-group covered by the catalog.

B = Indicates part of the sparepart-group.

C = Under C there are five columns:

- 1** = Pos.no: Position number
- 2** = Pcs: Total number of given pos-no.
- 3** = Part no.: Part number
- 4** = Description: Article name
- 5** = Remark: Reserved for additional information such as reservations, restrictions etc.



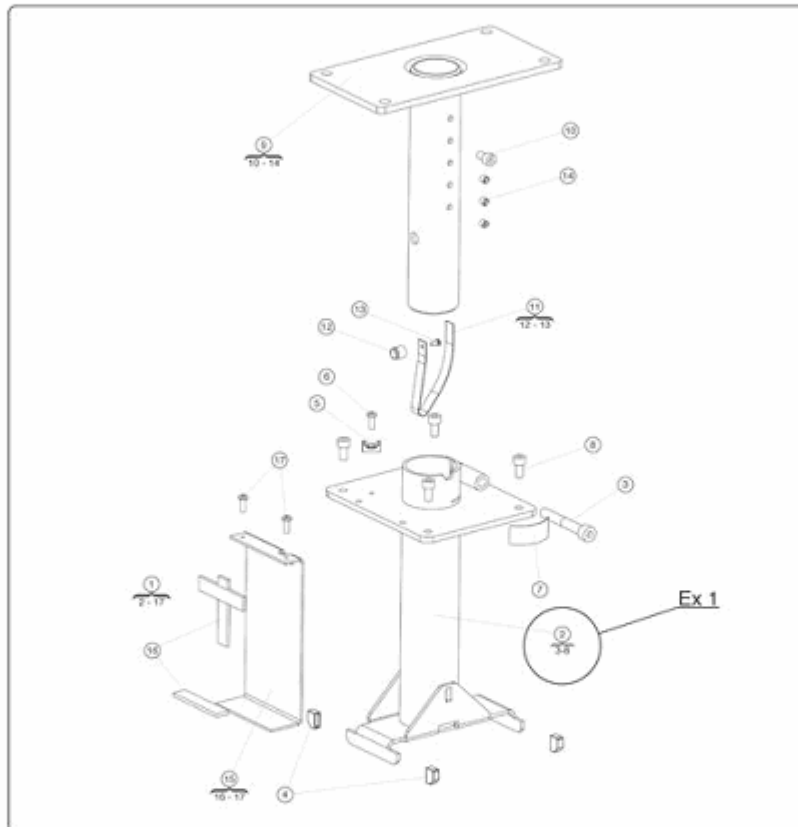
① Pos no.	② Pcs	③ Part no.	④ Description	⑤ Benämning	Remark/Anm.
1	1	1820446	Seat Tube	Sitsrör fast	
1	1	1820418	Seat Tube for tilt	Sitsrör fast för sitslutning	
2	1		Outer tube	Ytterrör	
3	1		Screw ISO 4762 M8x55 fzb	Skruv ISO 4762 M8x55 fzb	
4	4	1820421	Cap	Hätta	
5	1		Cable Tie Holder 10x15	Buntbandsfäste 10x15	
6	1		Screw ISO 7380 M4x6 fzb	Skruv ISO 7380 M4x6 fzb	
7	1		Nut DIN 985 M4 fzb	Mutter DIN 985 M4 fzb	
8	4		Screw ISO 4762 M6x10 fzb	Skruv ISO 4762 M6x10 fzb	
9	1	1820422	Inner tube	Innerrör	
9	1	1820419	Inner tube for tilt	Innerrör för tilt	
10	1		Screw ISO 4762 M6x10 fzb	Skruv ISO 4762 M6x10 fzb	
11	1		Bracket	Fjäder	
12	1		Stop	Stång	
13	1		Screw ISO 7380 M3x6 fzb	Skruv ISO 7380 M3x6 fzb	
14	1		SLS Bracket	SLS fäste	

Part

A part consists of one or more parts. If a part consists of several parts, a bracket in connection with the part's item bubble is used to show the parts included in the part in the exploded views. See example 1.

Quantity

The quantity specified in front of a part is the total quantity for the entire product.

**Example 1:**

The fixed seat tube, pos 2, includes pos 3 to 8, that are indicated in the bracket below (see above).

Example 2:

If a outer tube, pos 2, is ordered, the quantity is 1. In other words, there is just one outer tube on the chassis. However, if you look at the number of parts included, the quantity may vary. For example, in pos 4, the complete outer tube comprises 4 parts.

Vid beställning av reservdelar skall följande alltid anges:

- Produktmodell (ex.vis elrullstol C300).
- Artikelns benämning.
- använd samma benämning som i denna reservdelskatalog vid beställning.
- Hela artikelnumret.
- Antal.

OBS! I reservdelskatalogen förekommer i vissa fall detaljer utan angivet artikelnr. Det innebär att detaljen inte går att beställa från Remobil, men vi har ändå valt att beskriva dem för din information. Standardkomponenter så som skruv, mutter, bricka och liknande detaljer kan införskaffas i den ordinarie detaljhandeln med hjälp av informationen i denna katalog.

Beskrivning av positionslistor

Positionslistan består av:

A = Visar vilken produkt katalogen beskriver.

B = Visar vilken del av produkten som visas på aktuell sida.

C = Under C finns fem kolumner:

- 1 = Pos.no: Positionsnummer
- 2 = Pcs: Antal detaljer som ingår i aktuellt pos.nummer
- 3 = Part no.: Artikelnummer
- 4 = Benämning: Artikelns benämning (svensk och engelsk benämning)
- 5 = Anmärkning: Plats för ev. tilläggsinformation, förbehåll etc.



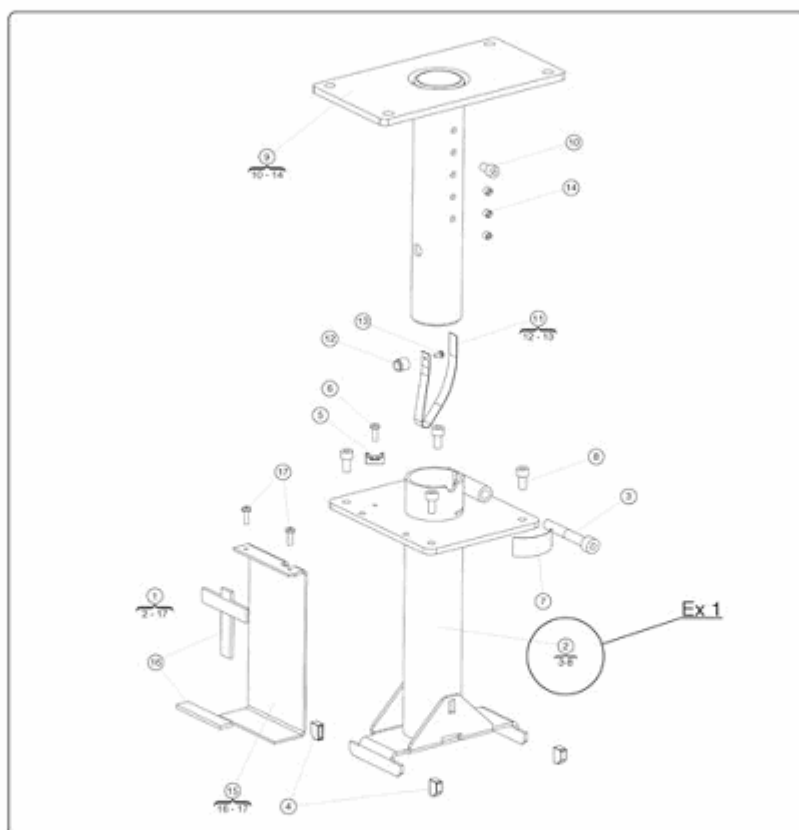
Pos no.	Pcs	Part no.	Description	Benämning	Remark/Anm.
1	1	1820446	Seat Tube	Sitsrör fast	
1	1	1820418	Seat Tube for tilt	Sitsrör fast för sitslutning	
2	1		Outer tube	Ytterrör	
3	1		Screw ISO 4762 M8x55 fzb	Skruv ISO 4762 M8x55 fzb	
4	4	1820421	Cap	Hätta	
5	1		Cable Tie Holder 10x15	Buntbandsfäste 10x15	
6	1		Screw ISO 7380 M4x6 fzb	Skruv ISO 7380 M4x6 fzb	
7	1		Nut DIN 985 M4 fzb	Mutter DIN 985 M4 fzb	
8	4		Screw ISO 4762 M6x10 fzb	Skruv ISO 4762 M6x10 fzb	
9	1	1820422	Inner tube	Innerrör	
9	1	1820419	Inner tube for tilt	Innerrör för tilt	
10	1		Screw ISO 4762 M6x10 fzb	Skruv ISO 4762 M6x10 fzb	
11	1		Bracket	Fjäder	
12	1		Stop	Stång	
13	1		Screw ISO 7380 M3x6 fzb	Skruv ISO 7380 M3x6 fzb	
14	1		SLS Bracket	SLS fäste	

Artikel

En artikel består av en eller flera detaljer. Om en artikel består av flera detaljer är det markerat i sprängskisserna med ett klamer i anslutning till artikelns posubbla där det står vilka detaljer som ingår i artikeln. se Ex 1.

Antal

Det angivna antalet framför en artikel är det sammanlagda antalet för hela produkten.

**Ex 1:**

I fast sitsrör Pos. 2, ingår poserna 3till 8 som står i klamret under. (se ovan)

Ex 2:

Beställs ett Ytterrör, pos. 2, så står det att antalet är 1. Det finns med andra ord bara ett ytterrör på chassit. Men om man tittar på antalet i ingående detaljer, så kan antalet variera, i tex. pos 4 är det 4 st för att ytterröret ska vara komplett.



PAB no: 1255-1