

SPARE PARTS CATALOG

# **KOALA *R-net***

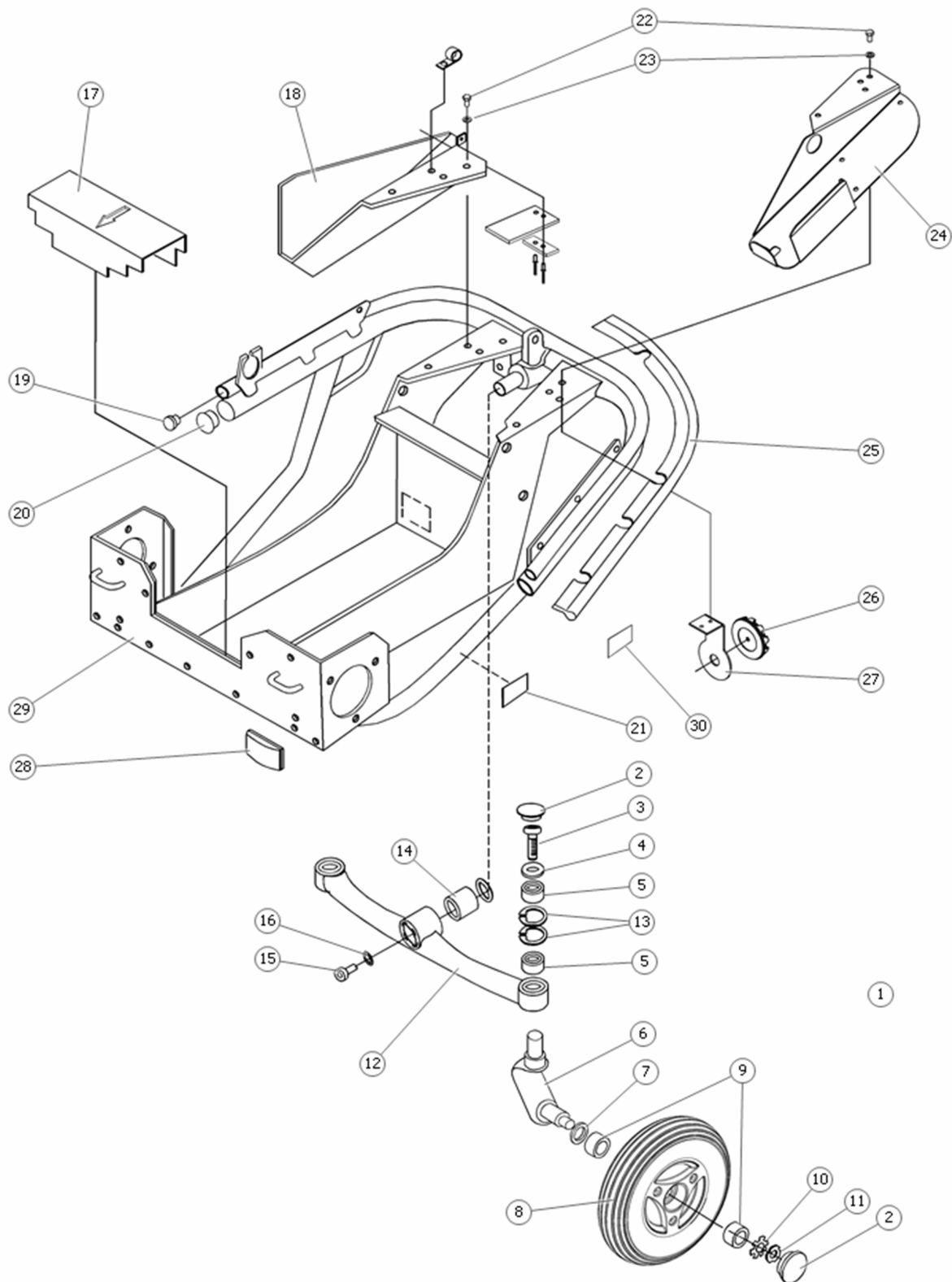
Permobil power wheelchair

**permobil**  
THE POWER OF MOBILITY

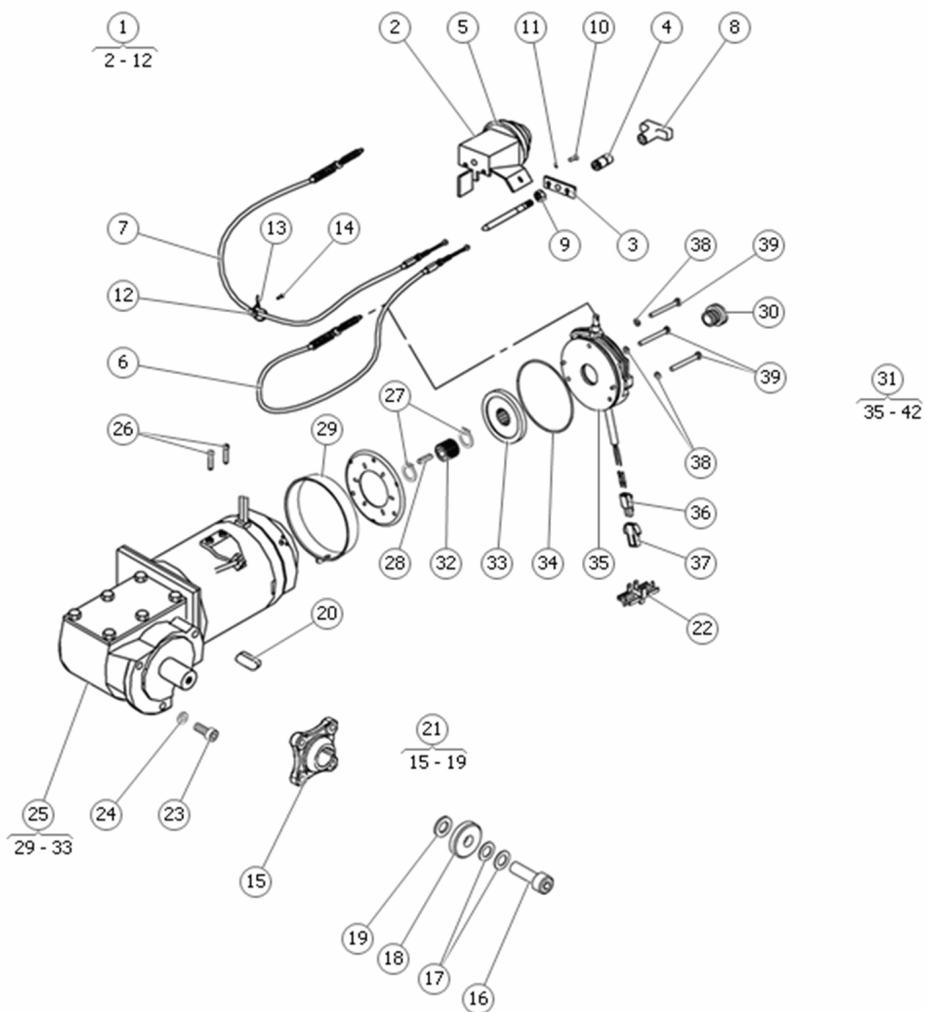
Produced and published by Permobil AB, Sweden  
Edition no. 1, 2014 03 01  
PAB: 1285:1

## Contents

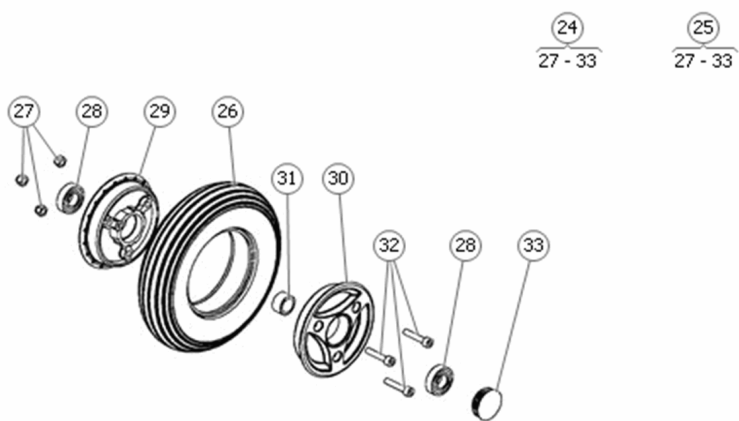
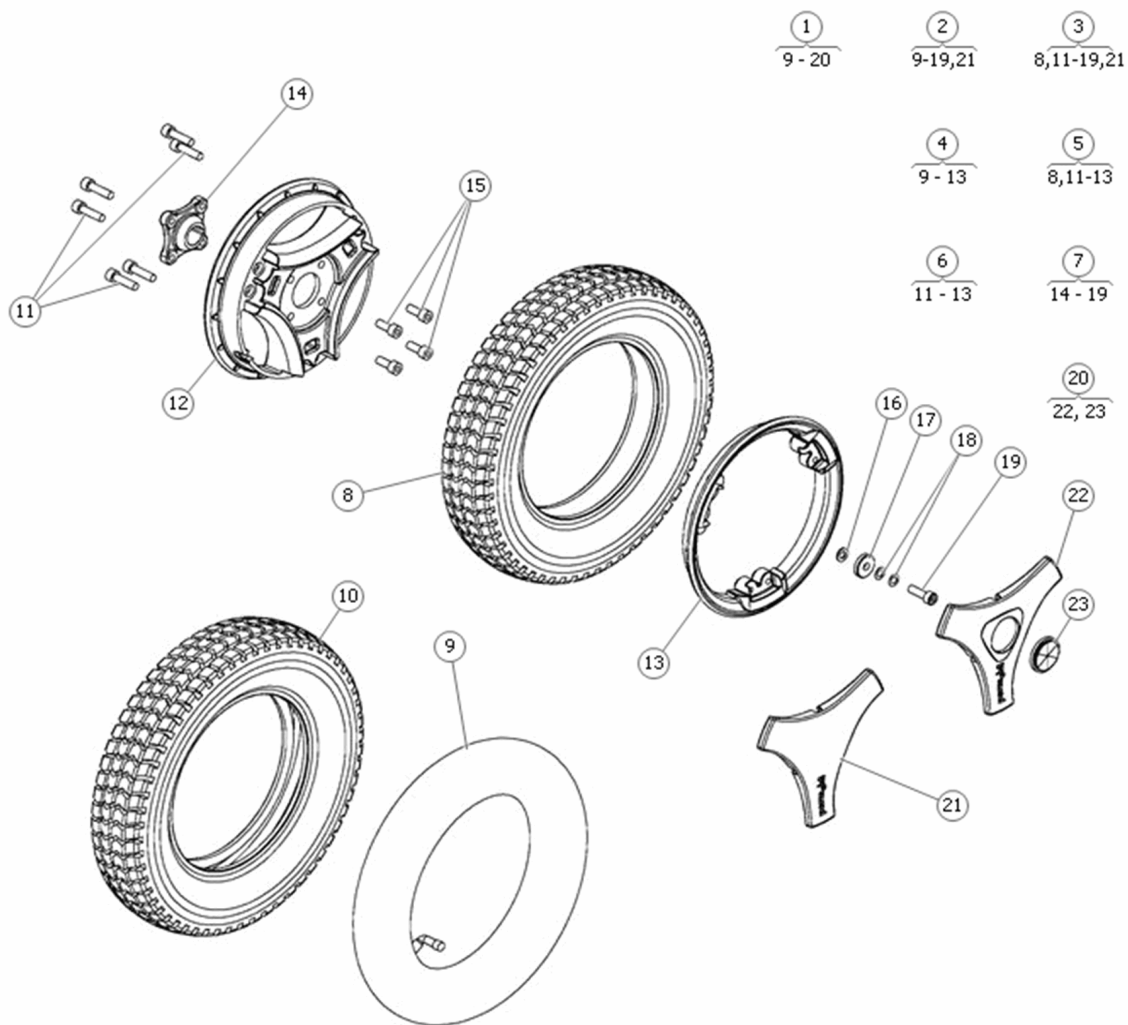
|                                     |  |
|-------------------------------------|--|
| Chassis.....                        |  |
| Driving unit and brake release..... |  |
| Wheels.....                         |  |
| Covers .....                        |  |
| Seat elevetor .....                 |  |
| Bumper .....                        |  |
| Cable harness and Electronic.....   |  |
| Ordering information.....           |  |
| Contact information .....           |  |



| Pos | Qty | Stock Code  | Description               | Remark               |
|-----|-----|-------------|---------------------------|----------------------|
| 1   | 1   | 307772-28-0 | BAKHJULSUPPHÄNGNING KO    |                      |
| 2   | 2   | 1823146     | PLASTPLUGG                | FOR TRI-SPOKE CASTER |
| 3   | 2   | 602124-99-0 | SKRUV M6S 8x 16 fzb ESL   |                      |
| 4   | 2   | 305390-99-0 | BR 8.5x23x3 fzb           |                      |
| 5   | 4   | 600752-99-0 | KULLAGER 6002-2RS1        |                      |
| 6   | 2   | 307390-28-1 | HJULGAFFEL BAK KO EN      |                      |
| 6   | 2   | 307390-28-2 | HJULGAFFEL BAK KO EN      |                      |
| 7   | 2   | 601184-99-0 | BR DB 15x21x0.5           |                      |
| 8   | 1   | 1822969     | HJUL 200x50 SOLID 3-EKRAR |                      |
| 8   | 1   | 309350-99-0 | HJUL 200x50 BAK V.3 M90/e |                      |
| 9   | 2   | 600752-99-0 | KULLAGER 6002-2RS1        |                      |
| 10  | 2   | 1825386     | BR LASBR ISO 2982 12      |                      |
| 11  | 2   | 1825385     | LÅSMUTTER ISO 2982 M12    |                      |
| 12  | 1   | 307784-28-0 | SVÄNGARM KO               |                      |
| 12  | 1   | 307784-38-0 | SVÄNGARM KO               |                      |
| 13  | 4   | 600751-99-0 | SPÄRRING SgH 32           |                      |
| 14  | 1   | 602132-99-0 | GLIDLAGER 182015 A        |                      |
| 15  | 1   | 602124-99-0 | SKRUV M6S 8x 16 fzb ESL   |                      |
| 16  | 1   | 305390-99-0 | BR 8.5x23x3 fzb           |                      |
| 17  | 1   |             | NOTAVAILABLE              |                      |
| 17  | 1   | 307808-28-0 | BATTERISTOPP KO/a         |                      |
| 18  | 1   |             | BRACK PLATE ELECTRON/FUSE |                      |
| 19  | 1   |             | PLAST PLUG GL 13          |                      |
| 20  | 2   | 602146-00-0 | PLASTPL GL 30             |                      |
| 21  | 1   | 1827747     | REFLEX SIDA KOALA         |                      |
| 22  | 1   |             | BOLT M6S 5x10 fzb         |                      |
| 23  | 4   | 600237-99-0 | BR BRB 5.3x10x1 fzb STD   |                      |
| 24  | 1   | 1830587     | ELEKTRONIKFÄSTE R-NET     |                      |
| 25  | 1   | 307814-08-0 | SKYDDSLIST RAM KO         |                      |
| 26  | 1   | 1826965     | REFLEX/BAKLYSE RÖD        |                      |
| 27  | 1   | 1830584     | FÄSTE BAKLYSE KOALA       |                      |
| 28  | 2   | 307816-99-0 | REFLEX FRAM KO EN         |                      |
| 29  | 1   | 307572-28-0 | RAM KO                    |                      |
| 30  | 1   | 1830639     | DEKAL TRANSPORTREGLER     |                      |

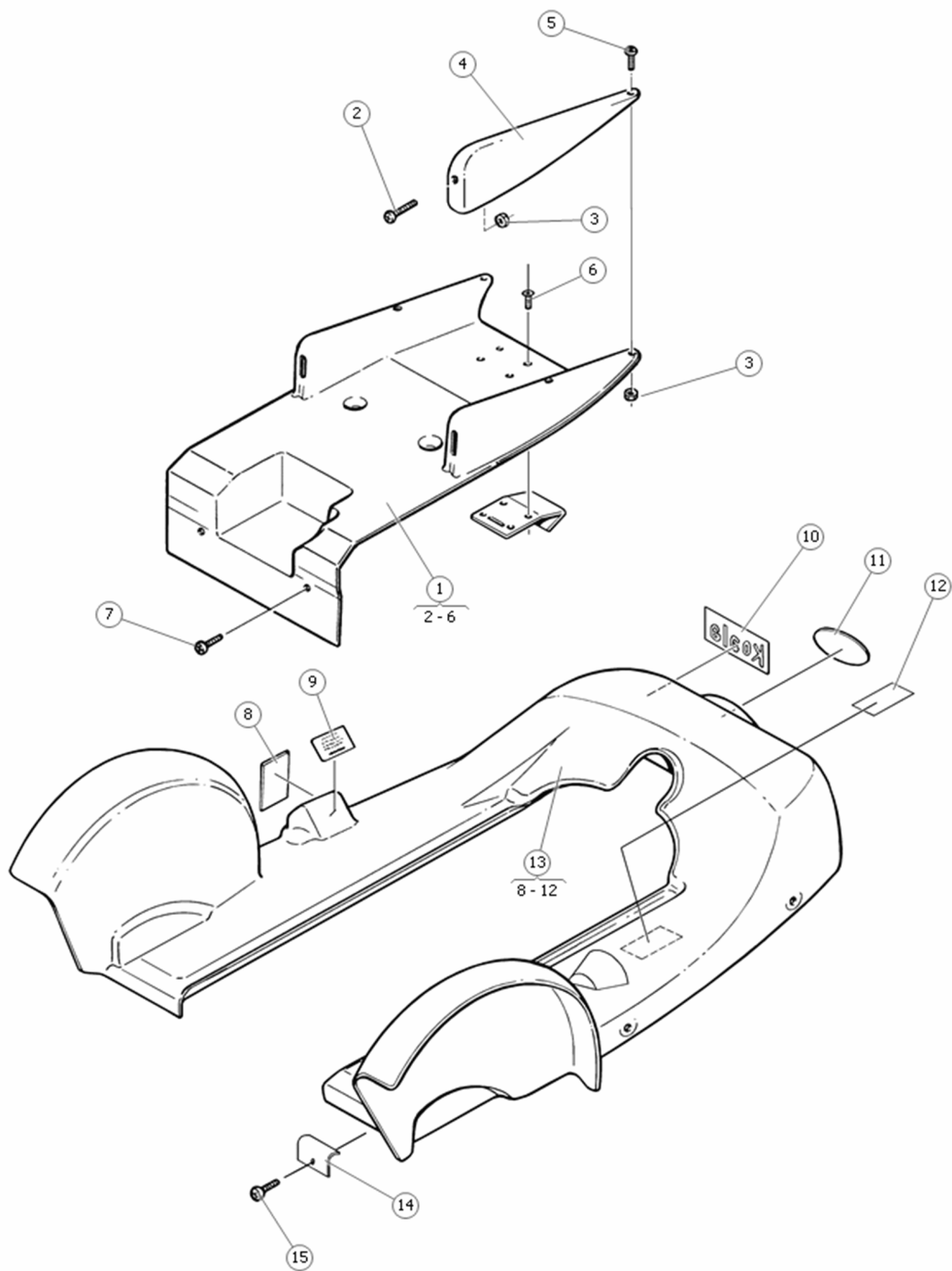


| Pos | Qty | Stock Code  | Description                                     | Remark      |
|-----|-----|-------------|---|-------------|
| 1   | 1   | 308556-99-0 | BROMSFRIG V.2 KO                                |             |
| 2   | 1   | 308551-99-0 | FÄSTE INKL GUMMISKYDD/a                         |             |
| 3   | 1   | 305317-99-0 | WIREFÄSTE ÖVRE BROMSFRIG                        |             |
| 4   | 1   | 308554-99-0 | LASTAPP BROMSFRIG KO/a                          |             |
| 5   | 1   | 308559-00-0 | GUMMISKYDD BROMSFRIG KO                         |             |
| 6   | 1   | 307073-99-0 | WIRE 910 BROMSFRIG V.4                          |             |
| 7   | 1   | 307074-99-0 | WIRE 305 BROMSFRIG V.4                          |             |
| 8   | 1   | 601922-00-0 | HANDTAGSGR MANÖ.SP LÅNG                         | ELESA 32426 |
| 9   | 1   | 600232-99-0 | MUTTER M6M 6 fzb                                |             |
| 10  | 1   | 601187-99-0 | SKRUV K6S 4x10 fzb                              |             |
| 11  | 1   |             | WASH ISO 7089 M4 fzb                            |             |
| 12  | 1   | 601204-99-0 | BUNTBANDSFÄSTE TM 2 S8                          |             |
| 13  | 1   | 600137-00-0 | BUNTBAND TY25MX 186x4.8mm                       |             |
| 14  | 1   |             | SCREW ISO 7045 M4x8 fzb                         |             |
| 15  | 1   |             | STICKER   |             |
| 16  | 1   | 612512-99-0 | SKRUV MC6S 8x 25 fzb ESL                        |             |
| 17  | 1   | 612531-99-0 | BR DB 8x14x0,5 DIN 988 A2                       |             |
| 18  | 1   | 612513-99-0 | BR 8.4x26x5 HB 305 GUL                          |             |
| 19  | 1   | 1821250     | BR 8,4x 15x 1,5 NYLON                           |             |
| 20  | 1   | 603060-99-0 | KIL RK 6x 6x16 VÅXEL KO                         |             |
| 21  | 1   | 1822435     | NAV DRIVMOTOR Ø22x28,5                          |             |
| 22  | 1   | 1826243     | KONTAKTHÅLLARE ANDERSON                         |             |
| 23  | 1   |             | SCREW ISO 4017 M8x20 fzb                        |             |
| 24  | 1   | 600239-99-0 | BR BRB 8.4x16x1.6 fzb                           |             |
| 25  | 1   | 1823248     | DRIVMOT/VÅX KOALA                               |             |
| 25  | 1   | 308555-99-0 | DRIVMOT/VÅX 25.8:1 V.2 KO                       |             |
| 25  | 1   |             | DRIV MOTOR/GEAR 25.8:1                          |             |
| 26  | 1   | 600188-99-0 | SKRUV MC6S 5x 8 fzb                             |             |
| 27  | 1   | 600271-99-0 | SPÄRRING SgA 10                                 |             |
| 28  | 1   |             | KEY 3x3x16 BRAKE MS90 M90T CH                   |             |
| 29  | 1   | 307804-00-0 | GUMMISKYDD MAGNETBROMS KO                       |             |
| 30  | 1   | 307805-00-0 | PLASTPL BROMS KO                                |             |
| 31  | 1   | 310257-99-0 | MAGNETBROMS D.PAKET V.2                         |             |
| 32  | 1   |             | HUB   |             |
| 33  | 1   | 307789-99-0 | BROMSLAMELL MSs90 CH8 KO                        |             |
| 34  | 1   |             | RUBBER RING 69.57x1.78 EPDM MAGNETIC WHEEL LOCK |             |
| 35  | 1   |             | BRAKE   |             |
| 36  | 1   |             | CONN BLOCK 2-PIN ELP *                          |             |
| 37  | 1   | 601977-99-0 | HYLSHUS JST                                     |             |
| 38  | 1   |             | WASH DIN 127B 4.1 fzb                           |             |
| 39  | 1   |             | SCREW ISO 7045 M4x35 fzb                        |             |

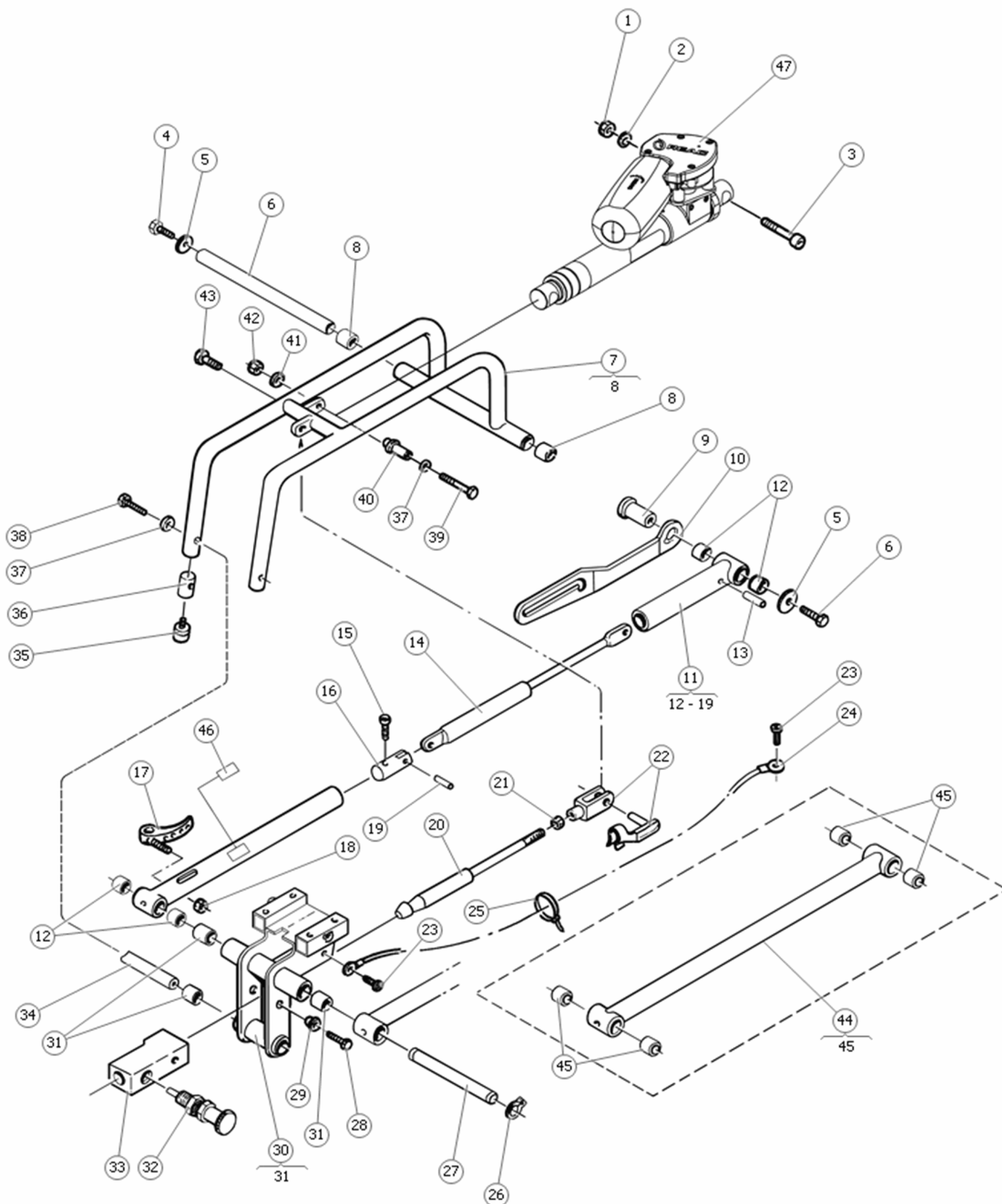




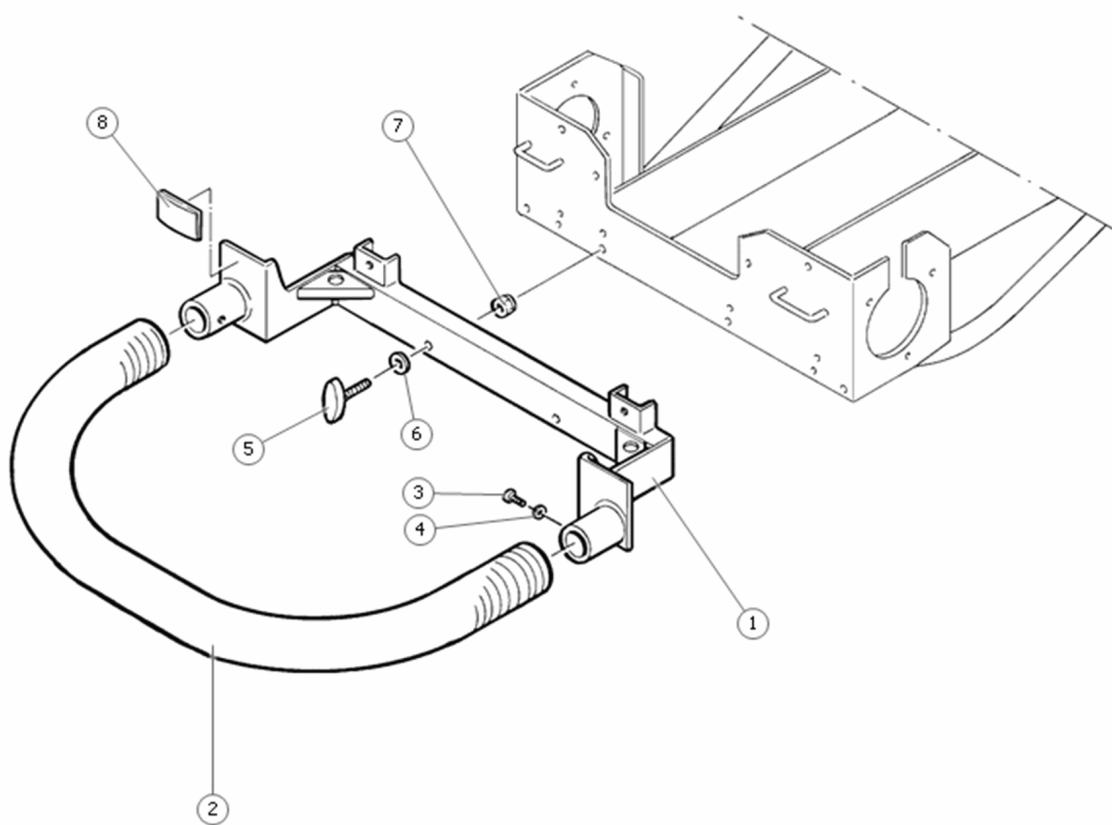
| Pos | Qty | Stock Code  | Description                | Remark                                |
|-----|-----|-------------|----------------------------|---------------------------------------|
| 1   | 1   | 1823031     | HJUL 2.50x8 LUFT EU ALU    | Silver colored hub cap and reflector. |
| 2   | 1   | 1824053     | HJUL 2.50x8 US LUFT ALU    | Silver colored hub cap.               |
| 3   | 1   | 1822980     | HJUL 2.50- 8" US SOLID     | Silver colored hub cap.               |
| 4   | 1   | 1825253     | HJUL 2.50x8 LUFT 3-EKRAD   |                                       |
| 5   | 1   | 1822979     | HJUL 2.50- 8" SOLID 3-EKR  |                                       |
| 6   | 1   | 1822232     | FÄLG 1.50x8" 3-EKRAD       |                                       |
| 7   | 1   | 1822435     | NAV DRIVMOTOR Ø22x28,5     |                                       |
| 8   | 1   | 1822983     | DÄCK 2.50- 8" SOLID        | FOR SPLIT RIM ONLY                    |
| 9   | 1   | 602229-99-0 | SLANG 2.50- 8" FRAM        |                                       |
| 10  | 1   | 602228-08-0 | DÄCK 2.50- 8"FRAM KO EN    |                                       |
| 11  | 6   | 600880-99-0 | SKRUV MC6S 8x 30 fzb       |                                       |
| 11  | 6   | 601075-99-0 | SKRUV MC6S 8x 30 fzb ESL   |                                       |
| 12  | 1   |             | RIM INNER                  |                                       |
| 13  | 1   |             | RIM OUTER                  |                                       |
| 14  | 1   |             | HUB                        |                                       |
| 15  | 4   | 600203-99-0 | SKRUV MC6S 8x 20 fzb       |                                       |
| 16  | 1   | 1821250     | BR 8,4x 15x 1,5 NYLON      |                                       |
| 17  | 1   | 612513-99-0 | BR 8.4x26x5 HB 305 GUL     |                                       |
| 18  | 2   | 612531-99-0 | BR DB 8x14x0,5 DIN 988 A2  |                                       |
| 19  | 1   | 612512-99-0 | SKRUV MC6S 8x 25 fzb ESL   |                                       |
| 20  | 1   | 1822231     | NAVKAPSEL C300/K300 SVART  | Black onyx                            |
| 20  | 1   | 1822263     | NAVKAPSEL RÖD 3-EKRAD      | Red                                   |
| 20  | 1   | 1822264     | NAVKAPSEL BLÅ 3-EKRAD      | Blue                                  |
| 20  | 1   | 1822265     | NAVKAPSEL SVART MET        | Black metallic                        |
| 20  | 1   | 1822266     | NAVKAPSEL C300/K300        | Silver                                |
| 20  | 1   | 1822267     | NAVKAPSEL GUL 3-EKRAD      | Yellow                                |
| 20  | 1   | 1823036     | NAVKAPSEL GRÖN 3-EKRAD     | Green metallic                        |
| 20  | 1   | 1823037     | NAVKAPSEL C300/K300 ROSA   | Pink                                  |
| 20  | 1   | 1823038     | NAVKAPSEL TITANBLÅ         | Titan blue                            |
| 21  | 1   |             | HUB CAP WINE               |                                       |
| 21  | 1   |             | HUB CAP CRYSTAL BLUE       |                                       |
| 21  | 1   |             | HUB CAP BLACK ONYX         |                                       |
| 21  | 1   |             | HUB CAP PLATINUM SILVER    |                                       |
| 21  | 1   |             | HUB CAP EXTREME YELLOW     |                                       |
| 21  | 1   |             | HUB CAP CHILI PEPPER RED   |                                       |
| 21  | 1   |             | HUB CAP TITAN BLUE         |                                       |
| 21  | 1   |             | HUB CAP CHARCOAL GRAY      |                                       |
| 21  | 1   |             | HUB CAP METALLIC GREEN     |                                       |
| 21  | 1   |             | HUB CAP POPSTAR PINK       |                                       |
| 21  | 1   |             | HUB CAP                    |                                       |
| 22  | 1   |             | HUB CAP PLASTIC            |                                       |
| 23  | 1   | 1820324     | REFLEX SIDA STR            |                                       |
| 24  | 1   | 1822969     | HJUL 200x50 SOLID 3-EKRAR  | Incl. Plastic Plug                    |
| 25  | 0   |             | WHEEL 200x50 SOLID 3-SPOKE |                                       |
| 26  | 0   |             | NOTAVAILABLE               |                                       |
| 27  | 1   | 1821261     | LÅSMUTTER M6 HÖG fzb       |                                       |
| 28  | 1   | 600752-99-0 | KULLAGER 6002-2RS1         |                                       |
| 29  | 1   |             | RIM INNER 200x50           |                                       |
| 30  | 1   |             | RIM OUTER 200x50           |                                       |
| 31  | 1   |             | SPACER                     |                                       |
| 32  | 1   | 600196-99-0 | SKRUV MC6S 6x 30 fzb       |                                       |
| 33  | 1   | 601068-00-0 | PLASTPL SFL 35             |                                       |



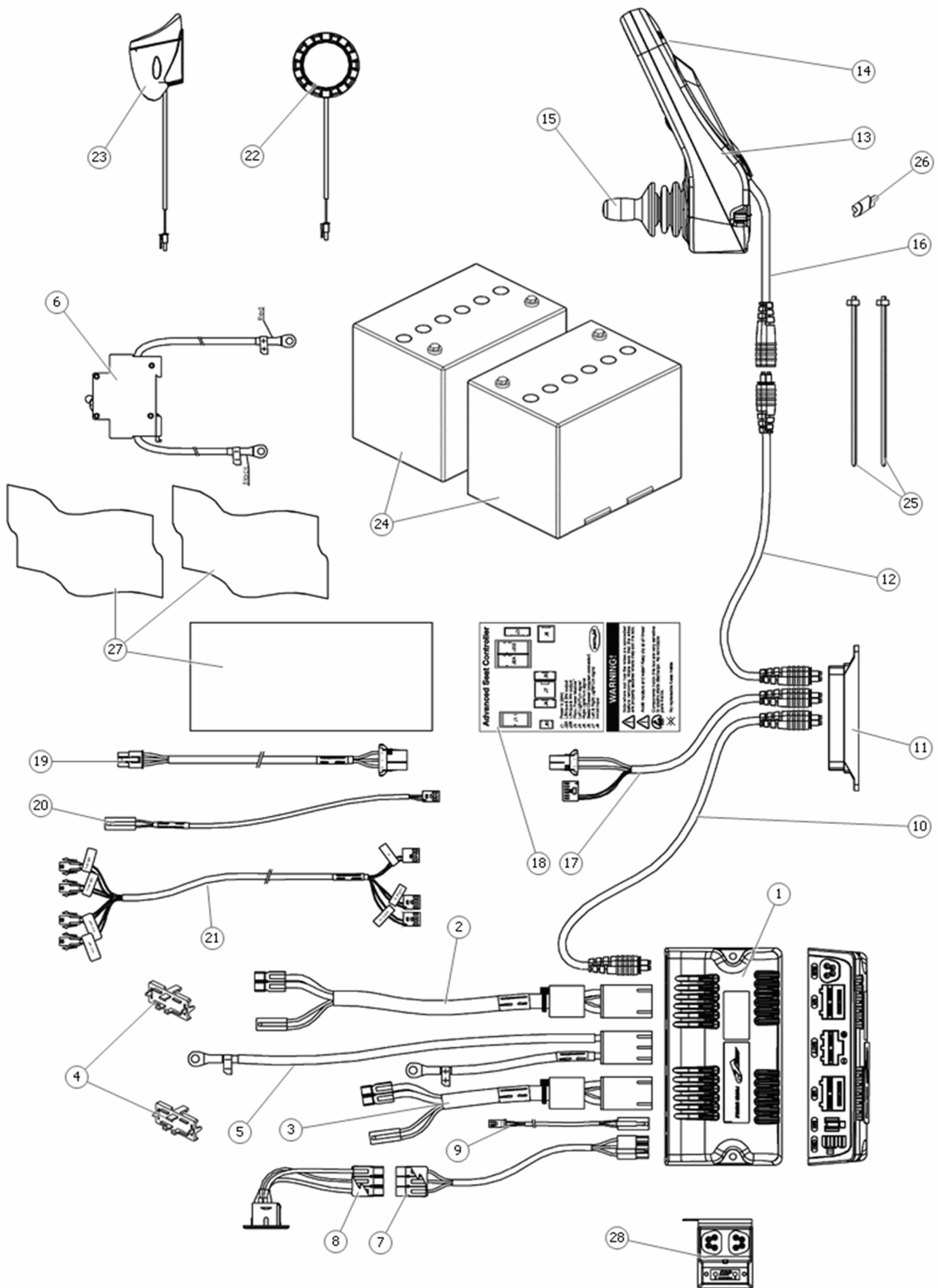
| Pos | Qty | Stock Code  | Description               | Remark      |
|-----|-----|-------------|---------------------------|-------------|
| 1   | 1   | 307809-00-0 | BATTERILÄDSLOCK KO        | CABLE INCL. |
| 2   | 2   |             | SCREW ISO 7045 M4x20 fzb  |             |
| 3   | 4   | 600225-99-0 | LÄSMUTTER M 4 fzb         |             |
| 4   | 2   | 307812-00-1 | KLÄMKÅPA KO/a             |             |
| 4   | 2   | 307812-00-2 | KLÄMKÅPA KO/a             |             |
| 5   | 2   |             | SCREW ISO 7045 M4x12 fzb  |             |
| 6   | 4   |             | DUMMY RIVET AL-S 4.0x12.7 |             |
| 7   | 1   | 602739-00-0 | LÄSRATT WN4662-20 M5x16   |             |
| 8   | 1   | 308020-00-0 | SKYDD GUMMIDUK LADDHYLSA  |             |
| 9   | 1   | 307956-99-0 | DEKAL VARNING LADDSTRÖM   |             |
| 10  | 1   | 307958-99-0 | DEKAL "KOALA"             |             |
| 11  | 1   | 306200-99-0 | DEKAL "PERMOBIL"          |             |
| 12  | 1   |             | DEKAL BRAKE REL           |             |
| 13  | 1   | 1830667     | CHASSIKÅPA GRÖN APPLE     |             |
| 13  | 1   | 1830668     | CHASSIKÅPA GUL LEMONADE   |             |
| 14  | 2   | 308093-28-0 | KÅPHÅLLARE PLÅT KO CH2k   |             |
| 15  | 1   | 601625-99-0 | SKRUV MRX-SEMS 5x12 fzb   |             |



| Pos | Qty | Stock Code  | Description                 | Remark |
|-----|-----|-------------|-----------------------------|--------|
| 1   | 1   | 600227-99-0 | LÅSMUTTER M 6 fzb           |        |
| 2   | 1   | 601364-99-0 | BR BRB 6.4x14x1.5 fzb       |        |
| 3   | 1   | 601886-99-0 | SKRUV PASSBULT 8x20 M6      |        |
| 4   | 1   | 602124-99-0 | SKRUV M6S 8x 16 fzb ESL     |        |
| 5   | 1   |             | Washer NB 8x25x1,5 Fe/Zn    |        |
| 6   | 1   | 307381-99-0 | AXEL BAKRE PARALLELLSTAG    |        |
| 7   | 1   | 307806-28-0 | PARALLELLSTAG ÖVRE SITSLY   |        |
| 8   | 1   | 602240-99-0 | GLIDLAGER 161825 A          |        |
| 9   | 1   | 307389-99-0 | AXEL BAKRE PARALLELLRÖR     |        |
| 10  | 1   | 307990-28-0 | SPÄRR SITSLYFT KO           |        |
| 11  | 1   | 307480-28-1 | JUSTERBART PARALLELLRÖR     |        |
| 12  | 1   | 602123-99-0 | GLIDLAGER 161815 A          |        |
| 13  | 1   |             | Expander pin ISO 8750 8x20  |        |
| 14  | 1   |             | Gas strut                   |        |
| 15  | 1   | 600189-99-0 | SKRUV MC6S 5x10 fzb         |        |
| 16  | 1   | 307472-99-0 | GASFÄDERFÄSTE               |        |
| 17  | 1   | 612300-99-0 | LASSPAK STP-KH M6x45        |        |
| 18  | 1   | 600227-99-0 | LÅSMUTTER M 6 fzb           |        |
| 19  | 1   |             | Expander pin                |        |
| 20  | 1   | 307518-99-0 | FRIGÖRNINGSTAPP             |        |
| 21  | 1   | 600233-99-0 | MUTTER M6M 8 fzb            |        |
| 22  | 1   | 602084-99-0 | GAFFELLÄNK M 8x16 S         |        |
| 23  | 1   |             | Screw ISO 7045 M5x8 Fe/Zn   |        |
| 24  | 1   | 308030-99-0 | KABL GALV FÖRB KO           |        |
| 25  | 1   | 601850-00-0 | BUNTBAND TY24MX 140x3.6mm   |        |
| 26  | 1   |             | Circlip DIN 471 Ø16         |        |
| 27  | 1   | 307385-99-0 | AXEL FRÄMRE PARALLELLRÖR    |        |
| 28  | 1   | 600222-99-0 | SKRUV M6S 6x 20 fzb         |        |
| 29  | 1   | 302345-99-0 | BUSSNING BENSTÖD C          |        |
| 30  | 1   | 307470-28-0 | SITSFÄSTE SITSLYFT KO       |        |
| 31  | 1   | 602240-99-0 | GLIDLAGER 161825 A          |        |
| 32  | 1   | 602125-99-0 | INSTÄLLN.BULT GN617.1 AK8   |        |
| 33  | 1   | 307519-99-0 | FRIGÖRNINGSFÄSTE            |        |
| 34  | 1   | 307383-99-0 | AXEL FRÄMRE PARALLELLSTAG   |        |
| 35  | 1   | 600886-99-0 | GUMMIKUDDE ANSLAG           |        |
| 36  | 1   | 307491-99-0 | FÖRST.STYCKE                |        |
| 37  | 1   | 600239-99-0 | BR BRB 8.4x16x1.6 fzb       |        |
| 38  | 1   |             | Screw ISO 4014 M8x35 Fe/Zn  |        |
| 39  | 1   |             | Screw ISO 4014 M8x45 Fe/Zn  |        |
| 40  | 1   | 1830586     | STÄLLDONSHYLSA FRÄMRE       |        |
| 41  | 1   | 305390-99-0 | BR 8.5x23x3 fzb             |        |
| 42  | 1   | 600228-99-0 | LÅSMUTTER M 8 fzb           |        |
| 43  | 1   |             | Screw ISO 4014 M8x30 Fe/Zn  |        |
| 44  | 1   |             | Parallel tube upper         |        |
| 45  | 1   | 602123-99-0 | GLIDLAGER 161815 A          |        |
| 46  | 1   |             | Sticker Warning "GAS STRUT" |        |
| 47  | 1   | 1830585     | STÄLLDON SITSLYFT KOALA     |        |



| Pos | Qty | Stock Code  | Description                       | Remark |
|-----|-----|-------------|-----------------------------------|--------|
| 1   | 1   | 307666-28-0 | STÖTF FRAM KO                     |        |
| 2   | 1   | 308059-99-0 | STÖTF FRAM SLANGSATS KO           |        |
| 3   | 1   |             | Screw ISO 7045 M5x16 Fe/Zn        |        |
| 4   | 1   | 601059-99-0 | BR BRB 5.3x15x1.6 fzb             |        |
| 5   | 1   |             | Star handle CT 47630P M6x25 Fe/Zn |        |
| 6   | 1   | 601364-99-0 | BR BRB 6.4x14x1.5 fzb             |        |
| 7   | 1   | 600227-99-0 | LÅSMUTTER M 6 fzb                 |        |
| 8   | 1   | 307816-99-0 | REFLEX FRAM KO EN                 |        |





| Pos | Qty | Stock Code  | Description               | Remark                                   |
|-----|-----|-------------|---------------------------|--|
| 1   | 1   | 1825774     | ELEKTRONIK R-NET PM90     |  |
| 2   | 1   | 1822376     | KABL MOTOR C300 C350      |  |
| 3   | 1   | 1830597     | KABLAGE MOTOR R-NET       |  |
| 4   | 1   | 1826243     | KONTAKTHÅLLARE ANDERSON   |  |
| 5   | 1   | 1822377     | KABL BATTERI C300 C350    |  |
| 6   | 1   | 1828003     | SÅKRING INKL KABLAGE C300 |  |
| 7   | 1   | 1830581     | LADDUTTAG R-NET KOALA     |  |
| 8   | 1   | 311060-00-0 | LADDKONTAKT XLR           |  |
| 9   | 1   | 1822370     | KABL BROMSFRIG RNET 500mm |  |
| 10  | 1   | 1821538     | KABL BUSS R-NET 0,5 M     |  |
| 11  | 1   | 1821537     | ANSL.BOX 4 UTTAG R-NET    |  |
| 12  | 1   | 1824291     | KABL BUSS R-NET 1500mm    |  |
| 13  | 1   | 1822389     | M.PANEL R-NET JSM-L-SW    |  |
| 13  | 1   | 1822390     | M.PANEL VIPPARM R-NET JSM |  |
| 13  | 1   | 1825746     | M.PANEL R-NET CJSM-L-SW   |  |
| 13  | 1   | 1825758     | M.PANEL R-NET JSM-LED     |  |
| 14  | 1   | 1824344     | DEKAL "LADDARE 10A"       |  |
| 15  | 1   | 1823297     | JOYST KNOPP P+,VSI,VR2    |  |
| 16  | 1   | 1826820     | CABLE R-NET JSM 700mm.    | PLEASE CONTACT TECHNICAL SUPPORT FOR A.. |
| 17  | 1   | 1824281     | KABL ICS BUS R-NET 450mm  |  |
| 18  | 1   | 1821535     | KRETSK ICS MASTER MOD. R- |  |
| 19  | 1   | 1830246     | KABLAGE STÅLLDON DIGPOT   |  |
| 20  | 1   | 1830583     | KABLAGE KLÄMSKYDD R-NET   |  |
| 21  | 1   | 1830582     | KABLAGE BELYSNING R-NET   |  |
| 22  | 1   | 1826965     | REFLEX/BAKLYSE RÖD        |  |
| 23  | 1   |             | Front light               |  |
| 24  | 1   | 603097-99-0 | ACKU MK M40 SLDG 12V 40AH |  |
| 25  | 1   | 600136-00-0 | BUNTBAND TY23MX 92x2.4mm  |  |
| 26  | 1   | 1827459     | KABELFÄSTE Ø12,8mm.       |  |
| 27  | 1   | 1830640     | VATTENSKYDDSSATS ICS BOX  |  |
| 28  | 1   | 1830589     | ESP INKL FÄST R-NET KOALA |  |



## Ordering information

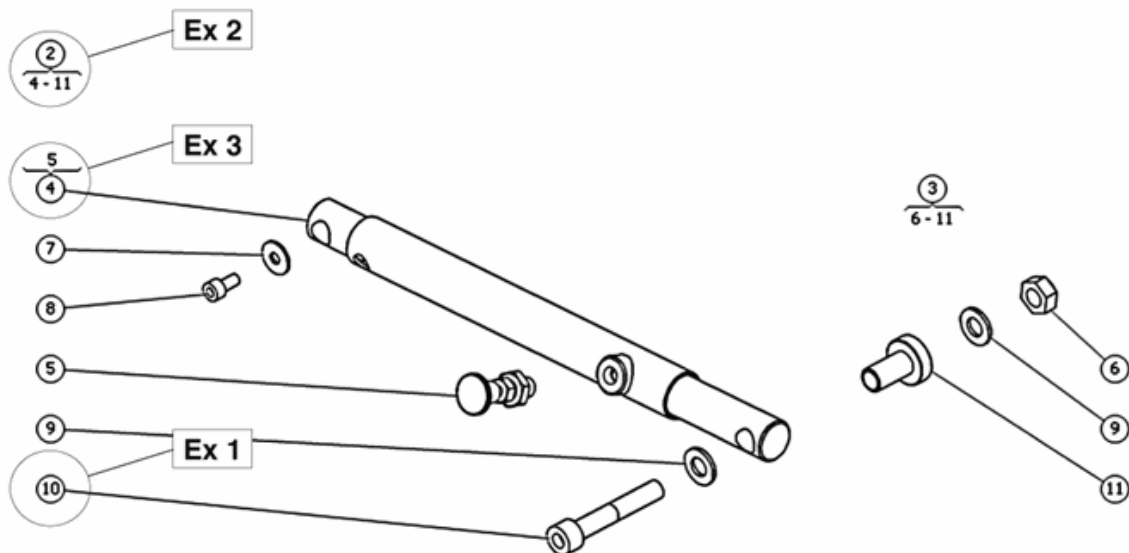
### When you order spare parts, the following must always be specified:

- The product model (for example, power wheelchair C300).
- The description of the part. Always use the description used in this catalog.
- The entire part number.
- The quantity.

**NB!** In some cases, parts appear in the spare part catalog without a part number. This means that the part cannot be ordered from Permobil. We have, however, chosen to describe it for your information. Standard components such as screws, nuts, washers and similar parts can be purchased in an ordinary shop using the information in this catalog.

## Parts

A part consists of one or more parts. If a part consists of several parts, a bracket in connection with the part's item bubble is used to show the parts included in the part in the exploded views. See examples 1, 2 and 3.



### Example 1:

Position 10 refers to a single part, a screw.

### Example 2:

Position 2 is a spare part consisting of the positions from 4 to 11.

### Example 3:

Position 4 is an article that also includes position 5. In these cases the article or articles which referred to in the bracket, are pre-assembled on the main article (position 4).



# Spare Parts Catalog

## CONTACT PERMOBIL:

**Permobil AB**

Box 120

861 23 Timrå

Sverige

Tel: 060-59 59 00

Fax: 060-57 52 50

E-post: [info@permobil.se](mailto:info@permobil.se)

**Permobil Inc. USA**

300 Duke Drive

Lebanon, TN 37090

USA

Phone: 800-736-0925

Fax: 800-231-3256

Email: [info@permobilusa.com](mailto:info@permobilusa.com)

**Permobil AS**

Industriveien 16

Postboks 60

1483 Hagan Norge

Tlf. 815 30 077

Fax. 815 33 655

E-post: [firmapost@permobil.no](mailto:firmapost@permobil.no)

**Permobil Benelux BV**

De Beitel 11

6466 GZ Kerkrade

Nederland

Tel: +31 (0)45 564 54 80

Fax: +31 (0)45 564 54 81

Email: [info@permobil.nl](mailto:info@permobil.nl)

## Notes

---

---

---

---

---

---

---

---

---

---

---

---

---

---

---

---

---

---

---

---

---

---





**permobil**  
THE POWER OF MOBILITY