

SPARE PART CATALOG

M300/M400

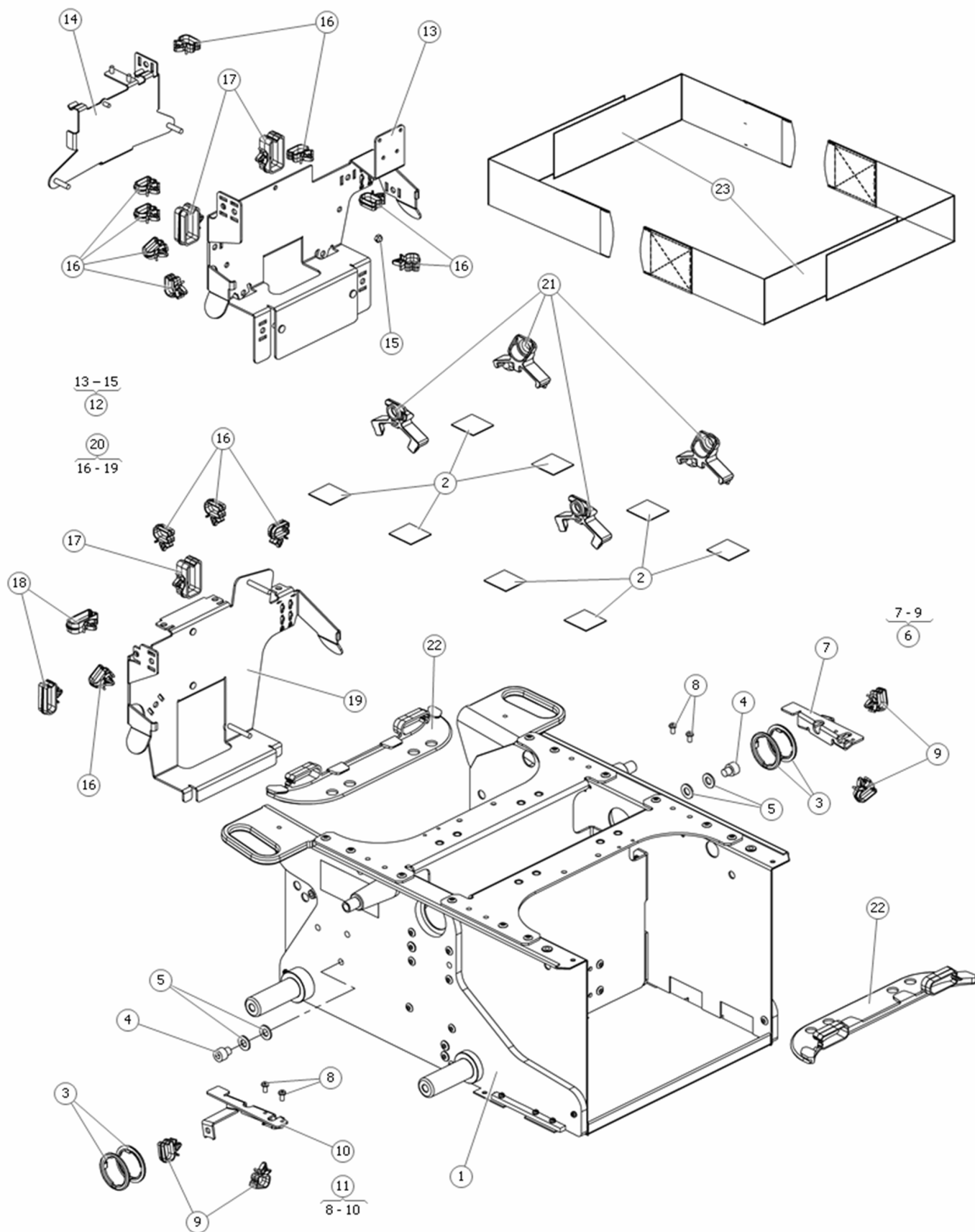
Permobil power wheelchair



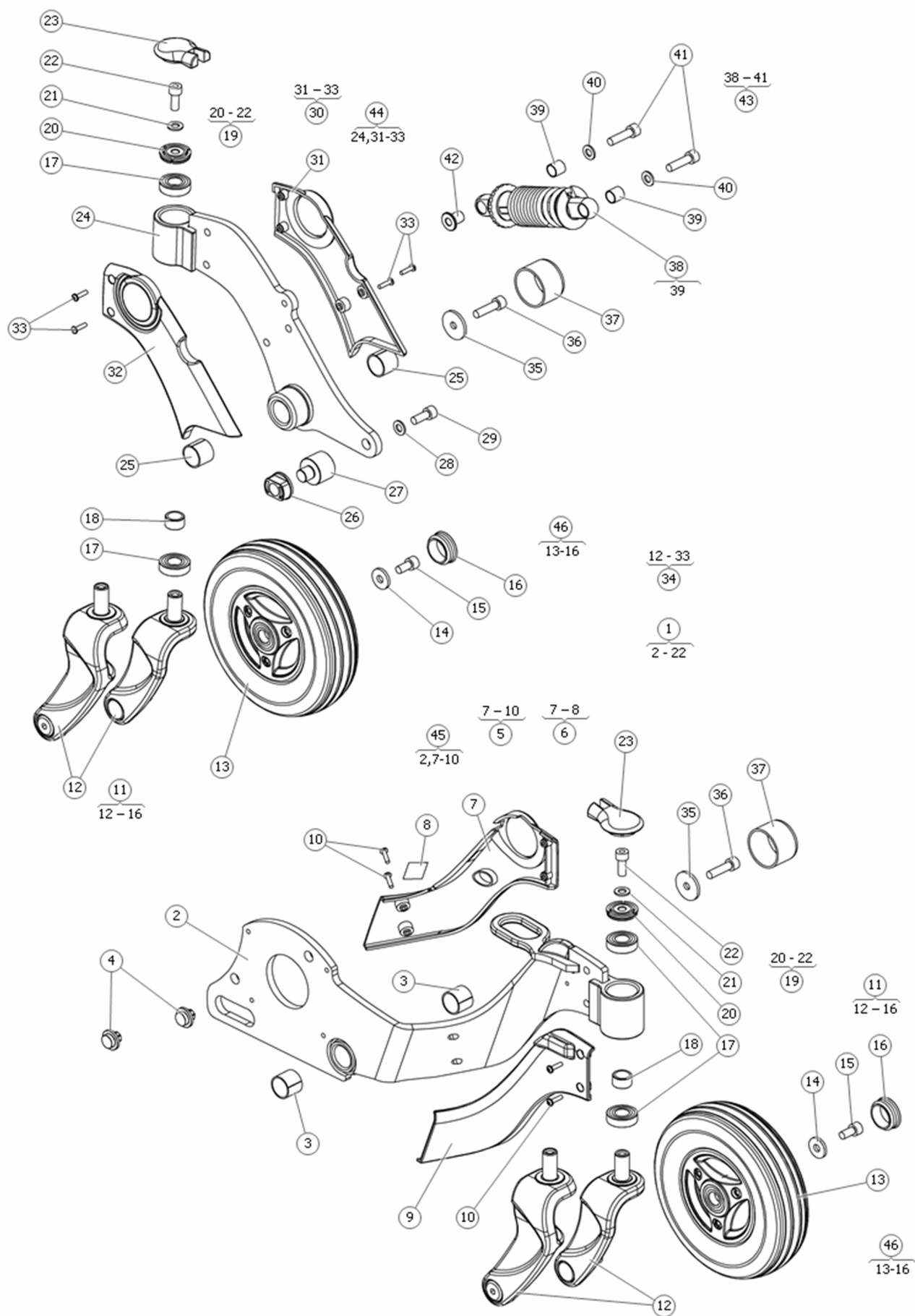
Contents

| |
|------------------------------------|
| Chassis..... |
| Wheel suspension left |
| Wheel suspension left HD |
| Wheel suspension right |
| Wheel suspension right HD |
| Driving unit..... |
| Driving unit HD |
| Wheels..... |
| Seat elevator with 21 splines..... |
| Seat tube HD |
| Seat tube. |
| Seat elevator HD |
| Seat elevator. |
| Seat adapter..... |
| Seat support. |
| Seat support HD |
| Covers |
| Electronics VR2 |
| Electronics R-net |
| Lights. |
| Contact info. |
| Ordering Information..... |

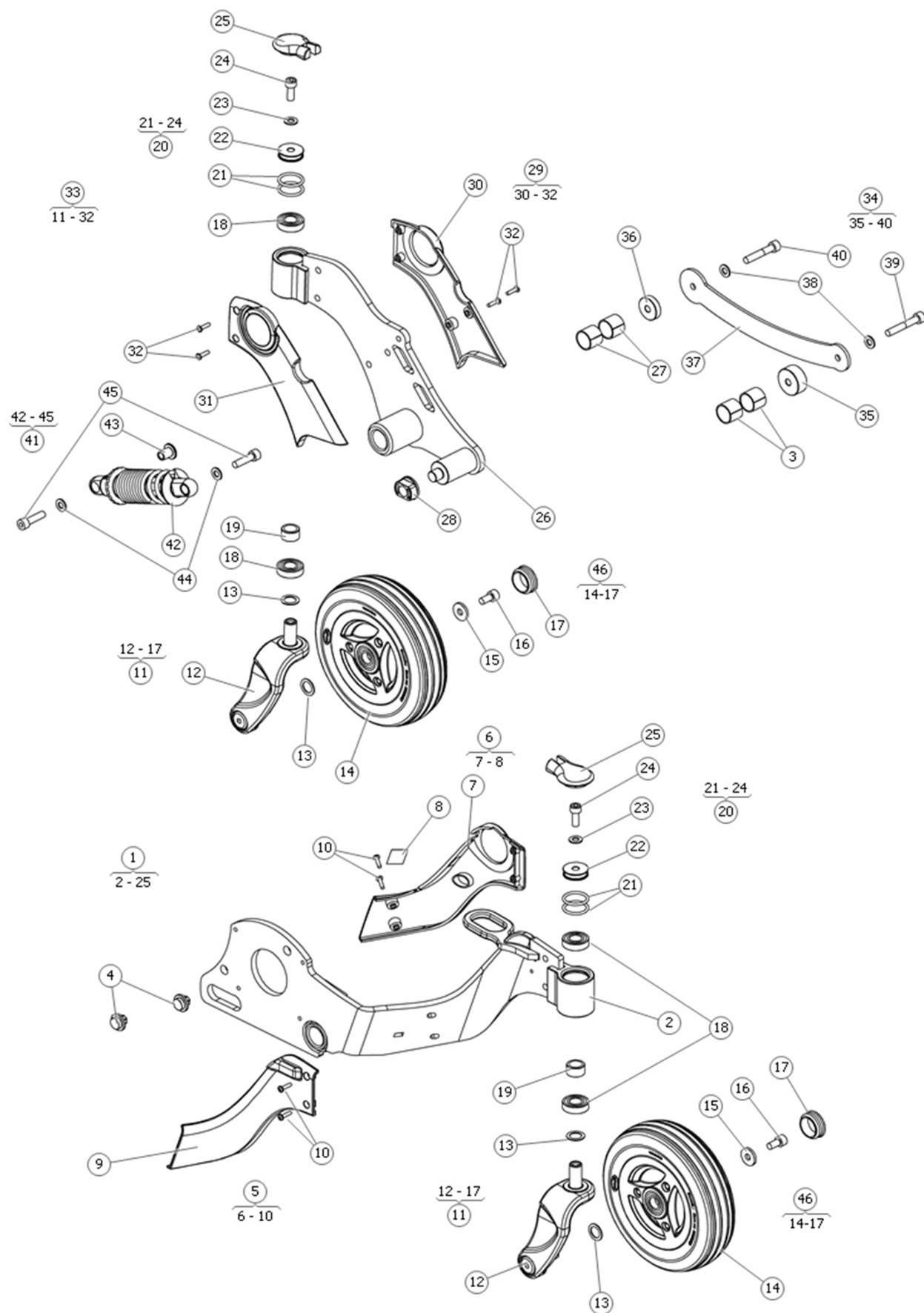
Produced and published by Permobil AB, Sweden
Release date 2011-03-01
PAB: 1280-1



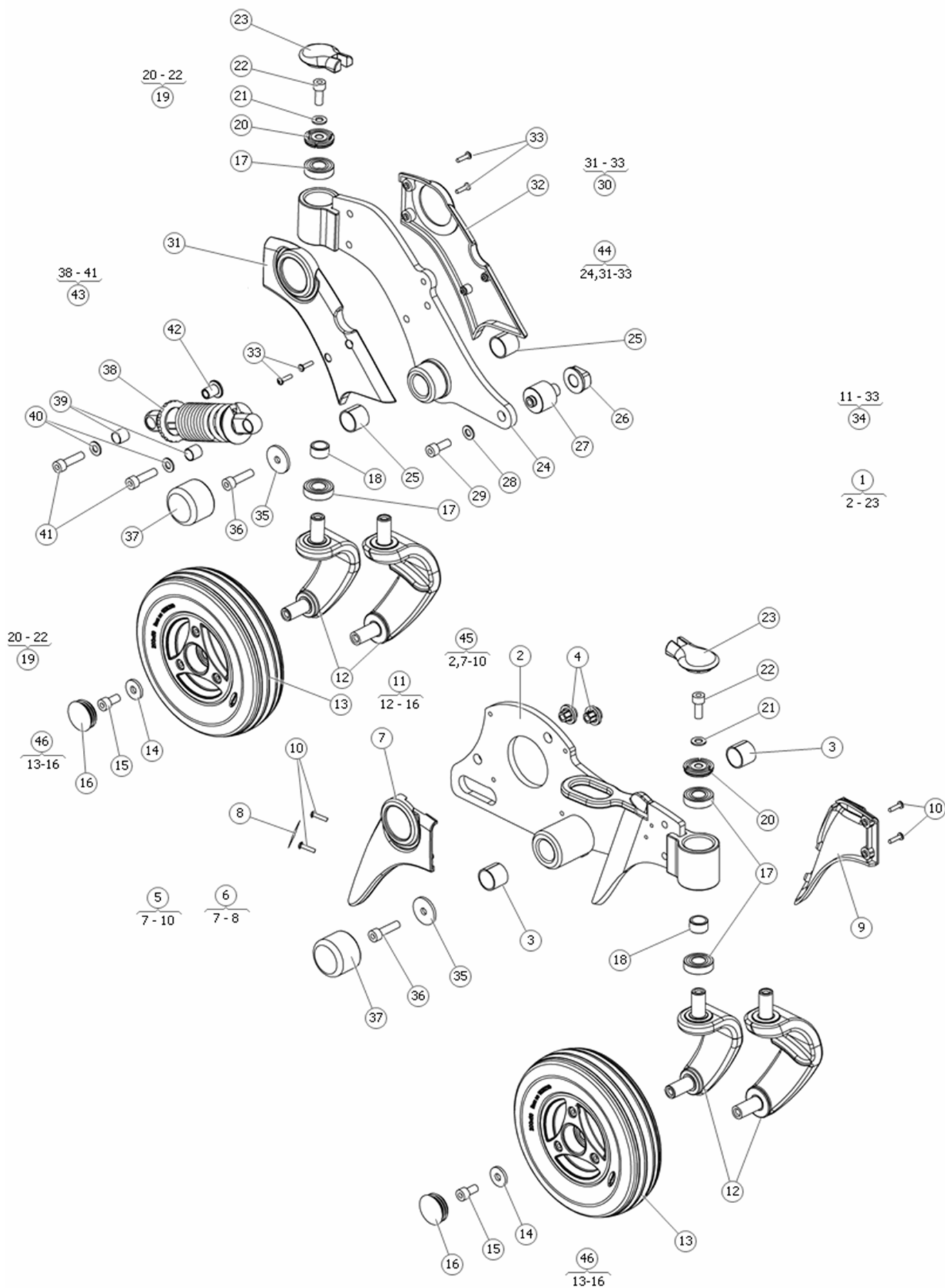
| Pos | Qty | Stock Code | Description | Remark |
|-----|-----|-------------|---|---|
| 1 | 1 | 1826856 | Chassi box | Add 2psc. 1826691 (shock absorbers) |
| 2 | 4 | 317564 | Velcro tape L=150 | |
| 3 | 1 | 1827156 | Plastic grommet | consists of two pieces |
| 3 | 1 | 1827723 | Plastic grommet 30/35/40-2 | Consists of one pieces, half the grommet. |
| 4 | 1 | 600202-99-0 | Screw ISO 4762 M8x10 Fe/Zn | |
| 5 | 1 | 600239-99-0 | WASH ISO 7089 8.4x16x1.6 Fe/Zn | |
| 6 | 1 | 1826697 | Cable clip bracket kit left | |
| 7 | 1 | 319919 | Bracket cable clip left | |
| 8 | 1 | 601381-99-0 | BOLT K6S 4x 8 fzb * | |
| 9 | 1 | 612953-00-0 | CABLE CLIP | |
| 10 | 1 | 319936 | Bracket cable clip right | |
| 11 | 1 | 1826696 | Cable clip bracket kit right | |
| 12 | 1 | 1826857 | Electronic plate R-net kit incl. cabel clip | |
| 13 | 1 | 320006 | Bracket plate electronic R-net | |
| 14 | 1 | 320005 | Bracket plate electronic ICS | |
| 15 | 1 | 600225-99-0 | LOCK NUT M4 FZB * | |
| 16 | 1 | 612953-00-0 | CABLE CLIP | |
| 17 | 1 | 1826860 | CABLE CLIP 25x18 | |
| 18 | 1 | 1826861 | CABLE CLIP 25x9 | |
| 19 | 1 | 320007 | Electronic plate VR2 | |
| 20 | 1 | 1826858 | Electronic plate kit VR2 incl. cable clip | |
| 21 | 1 | 1826859 | Battery holder | |
| 22 | 1 | 1827150 | Cable clip/pole guard battery | |
| 23 | 1 | 1827832 | Web belt battery holder | |



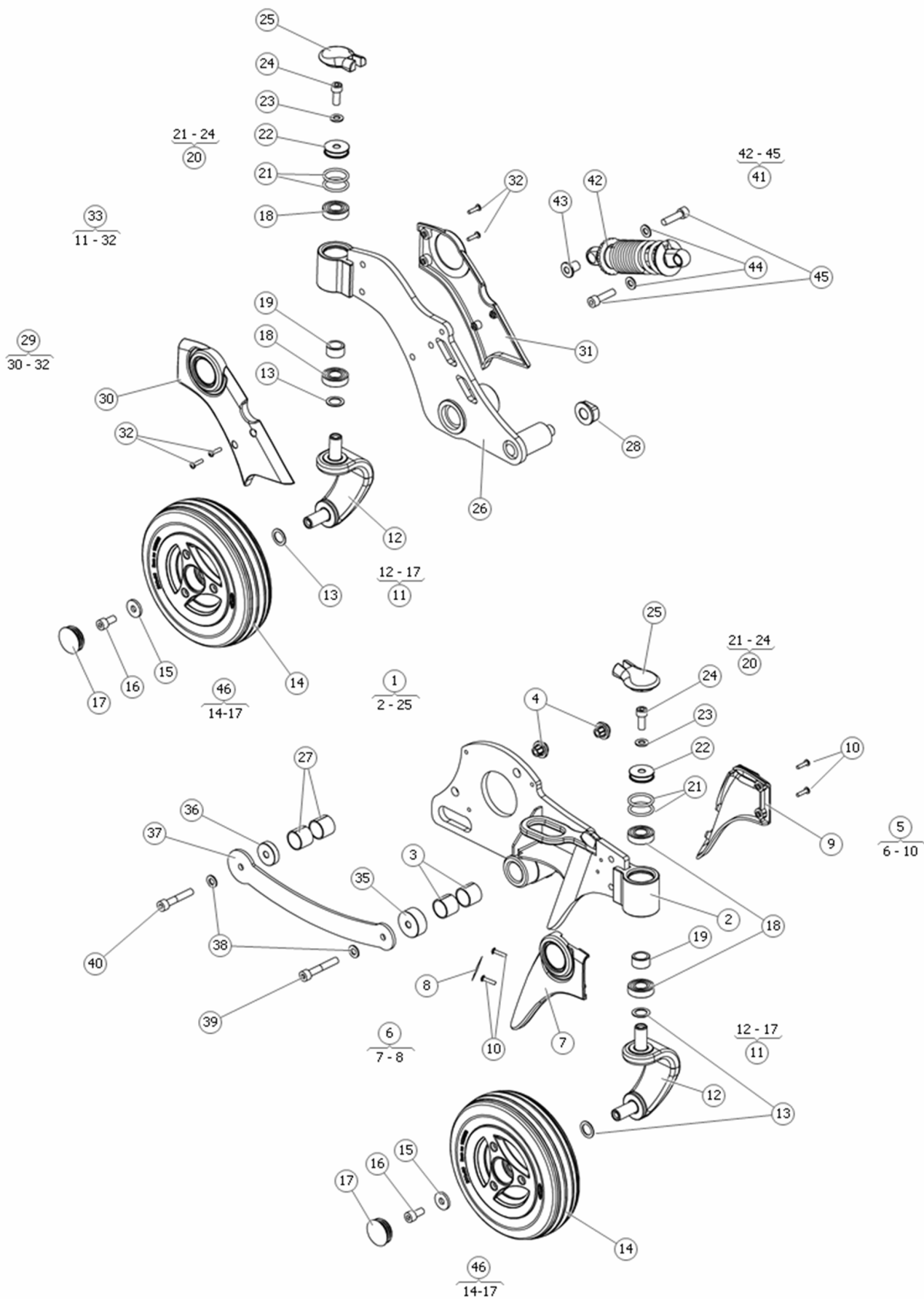
| Pos | Qty | Stock Code | Description | Remark |
|-----|-----|-------------|---|--|
| 1 | 1 | 319916 | Swing arm complete front | |
| 2 | 1 | 000000 | TO ORDER SEE POSITION #45 | |
| 2 | 1 | 1826975 | Swing arm | |
| 3 | 2 | 612745-99-0 | Slide bearing 22/25x20 SBT | |
| 4 | 1 | 1828899 | Spacer | |
| 5 | 1 | 1826687 | Cover kit | |
| 6 | 1 | 320023 | Cover incl. Reflector | |
| 7 | 1 | 000000 | TO ORDER SEE POSITION #5 | |
| 7 | 1 | 319676 | Cover outer | |
| 8 | 1 | 312872-99-2 | DECAL HOOKBRACKET * | |
| 9 | 1 | 000000 | TO ORDER SEE POSITION #5 | |
| 9 | 1 | 319677 | Cover | |
| 10 | 1 | 613078 | Tapping screw 4x16 Fe/Zn | |
| 11 | 1 | 1830338 | Rebuilding kit, 6 inch Caster Set | Includes 4 casters and forks |
| 11 | 1 | 319303 | Wheel fork | |
| 12 | 1 | 1828315 | Wheel fork ALU, Left | For wheel Ø200 (8") standard. |
| 12 | 1 | 1828653 | Wheelfork kit ALU, Left & Right | Left and right wheel fork kit aluminium. Mounted on... |
| 12 | 1 | 1830339 | Wheel fork ALU, Left | For wheel Ø150 (6") Optional |
| 13 | 1 | 1826259 | Caster Tire Ø200x50 | |
| 14 | 1 | 305390-99-0 | WASH 8.5x23x3 fzb * | |
| 15 | 1 | 613088-99-0 | Screw ISO 4762 M8x16 10.9 Fe/Zn / DIN 267-28 | |
| 16 | 1 | 601068-00-0 | PLAST PLUG SFL 35 Ø35x11,5 (Ø30-31,5) | |
| 17 | 1 | 600752-99-0 | BALL BEAR 6002-2RS1 (15x32x9) | |
| 18 | 1 | 318410 | Spacer | |
| 19 | 1 | 1826690 | Friction brake kit | |
| 20 | 1 | 1826863 | Socket | |
| 21 | 1 | 600239-99-0 | WASH ISO 7089 8.4x16x1.6 Fe/Zn | |
| 22 | 1 | 613901 | Screw ISO 4762 M8x20 Fe/Zn / DIN 267-28 | |
| 23 | 1 | 1826689 | Cover wheelfork | |
| 24 | 1 | 000000 | TO ORDER SEE POSITION #44 | |
| 24 | 1 | 1826977 | Swing arm | |
| 25 | 2 | 612745-99-0 | Slide bearing 22/25x20 SBT | |
| 26 | 1 | 319379 | Bush | |
| 27 | 1 | 319609 | Shaft | |
| 28 | 1 | 600239-99-0 | Washer ISO 7089 8.4x16x1.6 Fe/Zn | |
| 29 | 1 | 613901 | Screw ISO 4762 M8x20 Fe/Zn / DIN 267-28 | |
| 30 | 1 | 1826683 | Cover kit rear | |
| 31 | 1 | 000000 | TO ORDER SEE POSITION #30 | |
| 31 | 1 | 320017 | Cover rear outer incl.reflector | |
| 32 | 1 | 000000 | TO ORDER SEE POSITION #30 | |
| 32 | 1 | 320018 | Cover rear inner | |
| 33 | 1 | 613078 | Tapping screw 4x16 Fe/Zn | |
| 34 | 1 | 319910 | Swing arm complete rear | |
| 35 | 1 | 316714-99-0 | Washer 32x8,1x3 | |
| 36 | 1 | 601075-99-0 | BOLT ESLOK 8x30 fzb DR.WH MI,2 MA,II M90,T CH | |
| 37 | 1 | 1826692 | Cover bearing housing | |
| 38 | 1 | 000000 | TO ORDER SEE POSITION #43 | |
| 38 | 1 | 613800 | Shock absorber 185mm | |
| 39 | 1 | 000000 | Bush | |
| 40 | 1 | 600239-99-0 | WASH ISO 7089 8.4x16x1.6 Fe/Zn | |
| 41 | 1 | 601075-99-0 | BOLT ESLOK 8x30 fzb DR.WH MI,2 MA,II M90,T CH | |
| 42 | 1 | 319598 | Socket Ø8xØ11,5-12x15 | |
| 43 | 1 | 1826691 | Shock absorber kit | |
| 44 | 1 | 1827178 | SWING ARM INCLUDING COVER KIT REAR | |
| 45 | 1 | 1827177 | SWING ARM INCL COVER FRONT | |
| 46 | 1 | 1826508 | Caster Complete | |
| 46 | 1 | 1830337 | Caster Complete 6" | |



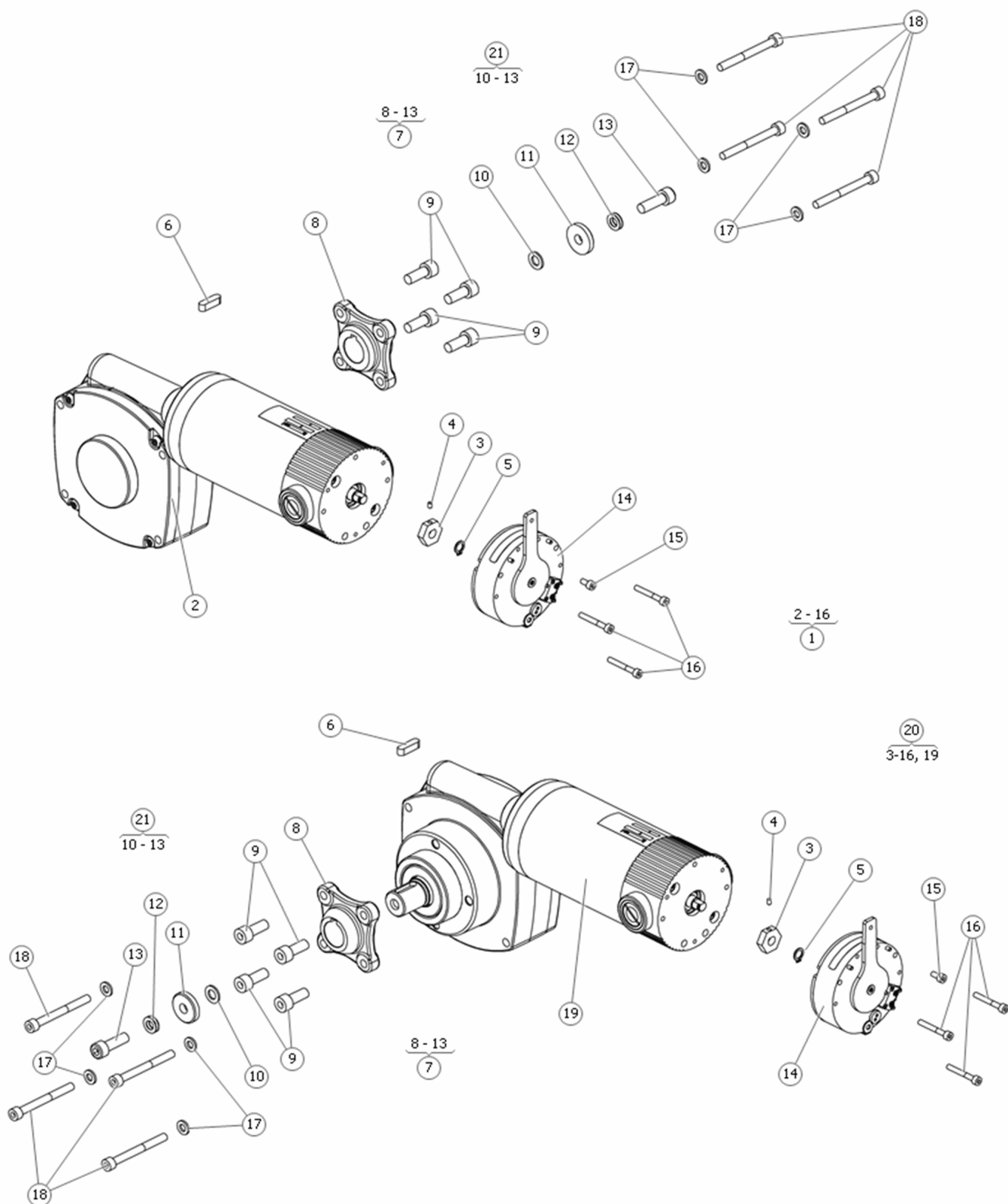
| Pos | Qty | Stock Code | Description | Remark |
|-----|-----|-------------|---|--------|
| 1 | 1 | 1828629 | Swing arm front Left complete | |
| 2 | 1 | 1828332 | Swing arm front Left | |
| 3 | 1 | 612745-99-0 | Slide bearing 22/25x20SBT | |
| 4 | 1 | 1828899 | Spacer | |
| 5 | 1 | 1826685 | Cover kit | |
| 6 | 1 | 320023 | Cover | |
| 7 | 1 | 319676 | Cover | |
| 8 | 1 | 1820459 | Decal hookbracket * | |
| 9 | 1 | 319677 | Cover | |
| 10 | 1 | 613078-99-0 | Tap screw 4x16 WN 156-2 FZB REMFORM | |
| 11 | 1 | 321074 | Wheel fork | |
| 12 | 1 | 1828315 | Wheel fork | |
| 13 | 1 | 1828317 | Shim washer DIN 988 15 (DB 15x22x1) | |
| 14 | 1 | 1826259 | Caster Wheel 200x50 | |
| 14 | 1 | 320250 | Caster wheel 200x50 | |
| 15 | 1 | 305390-99-0 | Wash 8.5x23x3 fzb * | |
| 16 | 1 | 613088-99-0 | Bolt MC6S 8x16 fzb ESL 10.9 C1 ISO4762 DIN267-28 | |
| 17 | 1 | 601068-00-0 | Plast plug SFL 35 | |
| 18 | 1 | 600752-99-0 | Ball bear 6002-2RS1 * | |
| 19 | 1 | 318410 | Spacer Ø16xØ22x12,5 | |
| 20 | 1 | 1826690 | Friction brake kit | |
| 21 | 1 | 613957-99-0 | Rubber ring 25x3 70EPDM 281 | |
| 22 | 1 | 320216 | Washer friction brake | |
| 23 | 1 | 600239-99-0 | Wash ISO 7089 8.4x16x1.6 Fe/Zn | |
| 24 | 1 | 613901 | Screw ISO 4762 M8x20 Fe/Zn / LOCK COAT DIN 267-28 | |
| 25 | 1 | 319665 | Cover | |
| 26 | 1 | 320068 | Swing arm rear Left | |
| 27 | 1 | 612745-99-0 | Slide bearing 22/25x20SBT | |
| 28 | 1 | 319379 | Bush | |
| 29 | 1 | 1826683 | Cover kit | |
| 30 | 1 | 320029 | Cover incl. Reflector | |
| 31 | 1 | 320018 | Cover | |
| 32 | 1 | 613078-99-0 | Tap screw 4x16 WN 156-2 FZB REMFORM | |
| 33 | 1 | 320423 | Swing arm rear left complete | |
| 34 | 1 | 1828151 | Reinforcement kit HD | |
| 35 | 1 | 320800 | Spacer Ø35/8.2 T=15 | |
| 36 | 1 | 320798 | Spacer Ø30/8.2 T=8 | |
| 37 | 1 | 320797 | Reinforcement plate | |
| 38 | 1 | 600239-99-0 | Washer ISO 7089 Fe/Zn 8,4x16x1,6 | |
| 39 | 1 | 614090 | Screw ISO 4762 M8x50 Fe/Zn / L.C DIN 267-28 | |
| 40 | 1 | 601074 | Screw ISO 4762 M8x45 Fe/Zn / L.C DIN 267-28 | |
| 41 | 1 | 1829369 | Shock Kit M300/M400 HD | |
| 42 | 1 | 613800 | Shock absorber | |
| 42 | 1 | 614183-99-0 | Shock Absorber | |
| 43 | 1 | 319598 | Socket Ø20 | |
| 44 | 1 | 600239-99-0 | Washer ISO 7089 Fe/Zn 8,4x16x1,6 | |
| 45 | 1 | 601075-99-0 | Screw ISO 4762 M8x30 Fe/Zn / L.C DIN 267-28 | |
| 46 | 1 | 1826508 | Caster Complete | |



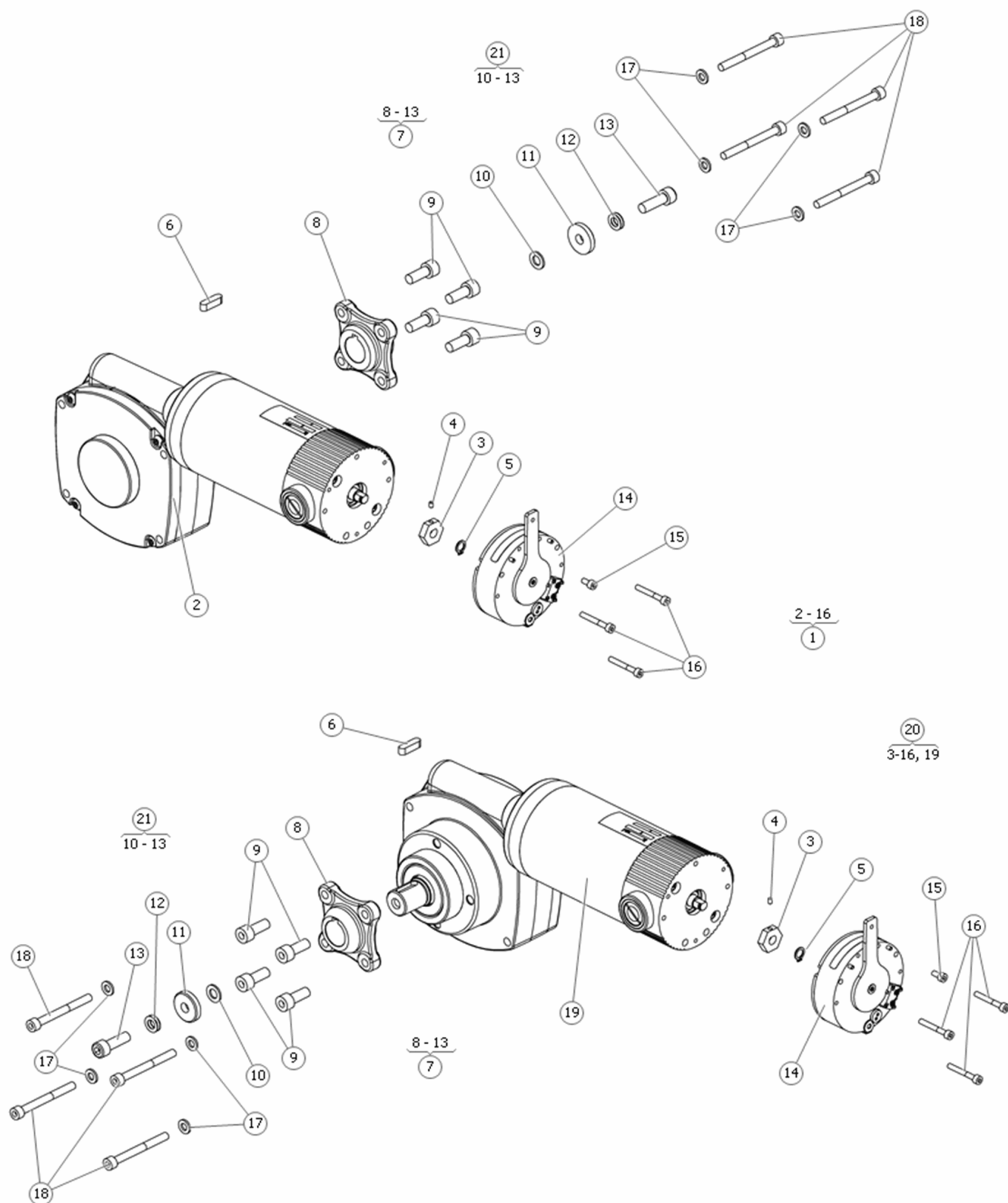
| Pos | Qty | Stock Code | Description | Remark |
|-----|-----|-------------|---|---|
| 1 | 1 | 319679 | Swing arm complete front | |
| 2 | 1 | 000000 | TO ORDER SEE POSITION #45 | |
| 2 | 1 | 1826976 | Swing arm | |
| 3 | 2 | 612745-99-0 | Slide bearing 22/25x20 SBT | |
| 4 | 1 | 1828899 | Spacer | |
| 5 | 1 | 1826685 | Cover kit | |
| 6 | 1 | 320022 | Cover front outer incl. Reflector | |
| 7 | 1 | 000000 | TO ORDER SEE POSITION #5 | |
| 7 | 1 | 319674 | Cover front outer | |
| 8 | 1 | 312871-99-1 | DECAL HOOKBRACKET * | |
| 9 | 1 | 000000 | TO ORDER SEE POSITION #5 | |
| 9 | 1 | 319675 | Cover front inner | |
| 10 | 1 | 613078 | Tapping screw 4x16 Fe/Zn | |
| 11 | 1 | 1830338 | Rebuilding kit, 6 inch Caster Set | Includes 4 casters and forks |
| 11 | 1 | 319302 | Wheel fork | |
| 12 | 1 | 1826506 | Wheel fork only, Steel, Right | Cast Steel Fork discontinued, part will be obsoleted... |
| 12 | 1 | 1828316 | Wheel fork only, ALU, Right | Right wheel fork aluminium |
| 12 | 1 | 1828653 | Wheel fork kit ALU, Left & Right | Left and right wheel fork kit aluminium. |
| 12 | 1 | 1830340 | Wheel fork | For wheel Ø150 (6") Optional |
| 13 | 1 | 1826259 | Caster Tire 200x50 | |
| 14 | 1 | 305390-99-0 | WASH 8.5x23x3 fzb * | |
| 15 | 1 | 613088-99-0 | Screw ISO 4762 M8x16 10.9 Fe/Zn / DIN 267-28 | |
| 16 | 1 | 601068-00-0 | PLAST PLUG SFL 35 Ø35x11,5 (Ø30-31,5) | |
| 17 | 1 | 600752-99-0 | BALL BEAR 6002-2RS1 (15x32x9) | |
| 18 | 1 | 318410 | Spacer | |
| 19 | 1 | 1826690 | Friction brake kit | |
| 20 | 1 | 000000 | TO ORDER SEE POSITION #19 | |
| 20 | 1 | 320234 | Socket | |
| 21 | 1 | 600239-99-0 | WASH ISO 7089 8.4x16x1.6 Fe/Zn | |
| 22 | 1 | 613901 | Screw ISO 4762 M8x20 Fe/Zn / DIN 267-28 | |
| 23 | 1 | 1826689 | Cover wheelfork | |
| 24 | 1 | 000000 | TO ORDER SEE POSITION #44 | |
| 24 | 1 | 1826977 | Swing arm | |
| 25 | 2 | 612745-99-0 | Slide bearing 22/25x20 SBT | |
| 26 | 1 | 319379 | Bush | |
| 27 | 1 | 319609 | Shaft | |
| 28 | 1 | 600239-99-0 | WASH ISO 7089 8.4x16x1.6 Fe/Zn | |
| 29 | 1 | 613901 | Screw ISO 4762 M8x20 Fe/Zn / DIN 267-28 | |
| 30 | 1 | 1826680 | Cover kit rear | |
| 31 | 1 | 000000 | TO ORDER SEE POSITION #30 | |
| 31 | 1 | 319672 | Cover rear outer | |
| 32 | 1 | 000000 | TO ORDER SEE POSITION #30 | |
| 32 | 1 | 319673 | Cover rear inner | |
| 33 | 1 | 613078 | Tapping screw 4x16 Fe/Zn | |
| 34 | 1 | 319678 | Swing arm complete rear | |
| 35 | 1 | 316714-99-0 | Washer 32x8,1x3 | |
| 36 | 1 | 601075-99-0 | BOLT ESLOK 8x30 fzb DR.WH MI,2 MA,II M90,T CH | |
| 37 | 1 | 1826692 | Cover bearing housing | |
| 38 | 1 | 000000 | TO ORDER SEE POSITION #43 | |
| 38 | 1 | 613800 | Shock absorber 185mm | |
| 39 | 1 | 000000 | Bush | |
| 40 | 1 | 600239-99-0 | WASH ISO 7089 8.4x16x1.6 Fe/Zn | |
| 41 | 1 | 601075-99-0 | BOLT ESLOK 8x30 fzb DR.WH MI,2 MA,II M90,T CH | |
| 42 | 1 | 319598 | Socket Ø8xØ11,5-12x15 | |
| 43 | 1 | 1826691 | Shock absorber kit | |
| 44 | 1 | 1827176 | SWING ARM INCL COVER KIT REAR | |
| 45 | 1 | 1827175 | SWING ARM INCL COVER KIT FRONT | |
| 46 | 1 | 1826508 | Caster Complete | |
| 46 | 1 | 1830337 | Caster Complete 6" | |



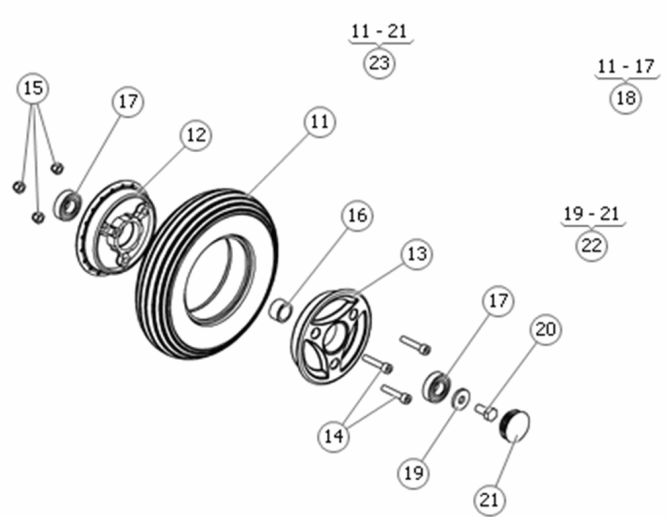
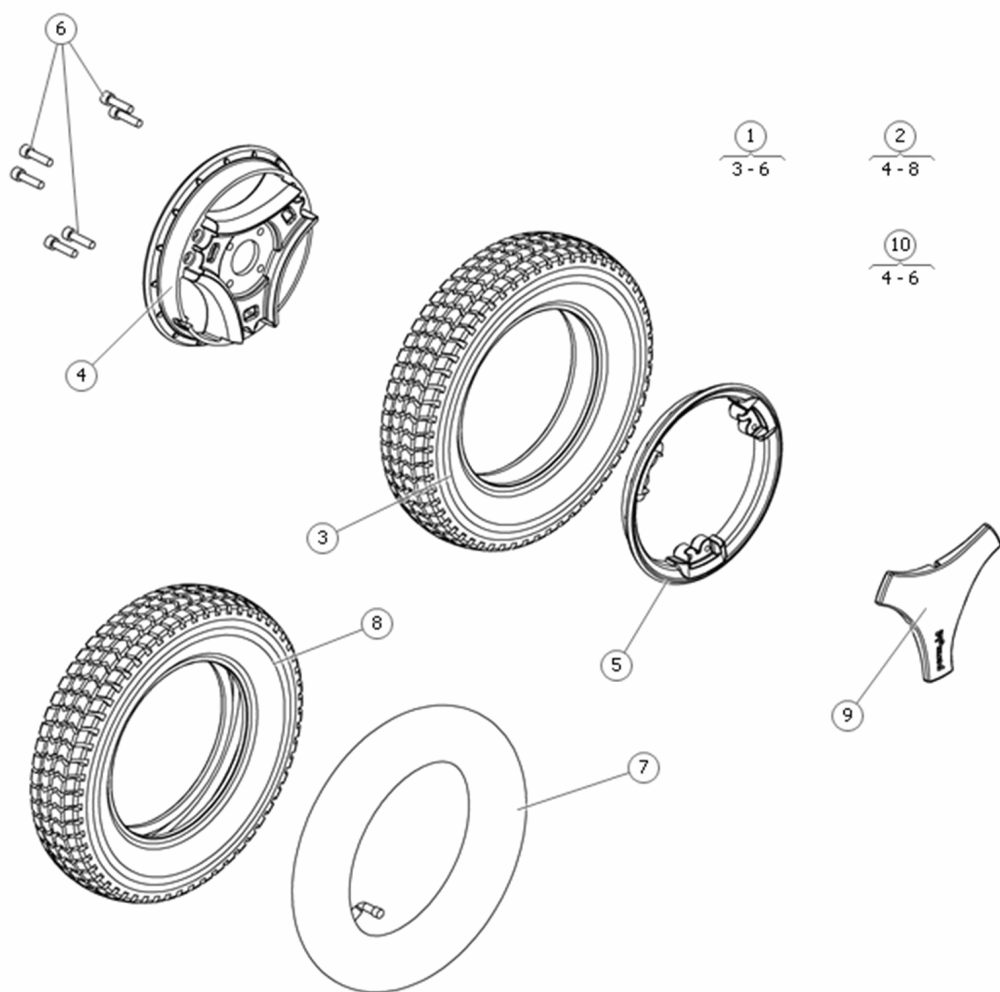
| Pos | Qty | Stock Code | Description | Remark |
|-----|-----|-------------|---|--------|
| 1 | 1 | 1828630 | Swing arm front Right complete | |
| 2 | 1 | 1828333 | Swing arm front Right | |
| 3 | 1 | 612745-99-0 | SLIDE BEARING 22/25x20SBT | |
| 4 | 1 | 1828899 | Spacer | |
| 5 | 1 | 1826685 | Cover kit | |
| 6 | 1 | 320022 | Cover | |
| 7 | 1 | 319674 | Cover | |
| 8 | 1 | 312871-99-1 | DECAL HOOKBRACKET * | |
| 9 | 1 | 319675 | Cover | |
| 10 | 1 | 613078-99-0 | TAP SCREW 4x16 WN 156-2 FZB REMFORM | |
| 11 | 1 | 321073 | Wheel fork | |
| 12 | 1 | 1828316 | Wheel fork | |
| 13 | 1 | 1828317 | Shim washer DIN 988 15 (DB 15x22x1) | |
| 14 | 1 | 1826259 | Caster Tire Only 200x50 | |
| 15 | 1 | 305390-99-0 | WASH 8,5x23x3 fzb * | |
| 16 | 1 | 613088-99-0 | BOLT MC6S 8x16 fzb ESL 10.9 C1 ISO4762 DIN267-28 | |
| 17 | 1 | 601068-00-0 | PLAST PLUG SFL 35 | |
| 18 | 1 | 600752-99-0 | BALL BEAR 6002-2RS1 * | |
| 19 | 1 | 318410 | Spacer Ø16xØ22x12,5 | |
| 20 | 1 | 1826690 | Friction brake kit | |
| 21 | 1 | 613957-99-0 | RUBBER RING 25x3 70EPDM 281 | |
| 22 | 1 | 320216 | Washer friction brake | |
| 23 | 1 | 600239-99-0 | WASH ISO 7089 8,4x16x1,6 Fe/Zn | |
| 24 | 1 | 613901 | Screw ISO 4762 M8x20 Fe/Zn / LOCK COAT DIN 267-28 | |
| 25 | 1 | 319665 | Cover | |
| 26 | 1 | 320069 | Swing arm rear right | |
| 27 | 1 | 612745-99-0 | SLIDE BEARING 22/25x20SBT | |
| 28 | 1 | 319379 | Bush | |
| 29 | 1 | 1826680 | Cover kit | |
| 30 | 1 | 320024 | Cover incl. Reflector | |
| 31 | 1 | 319673 | Cover | |
| 32 | 1 | 613078-99-0 | TAP SCREW 4x16 WN 156-2 FZB REMFORM | |
| 33 | 1 | 320422 | Swing arm rear right complete | |
| 35 | 1 | 320800 | Spacer Ø35/8.2 T=15 | |
| 36 | 1 | 320798 | Spacer Ø30/8.2 T=8 | |
| 37 | 1 | 320797 | Reinforcement plate | |
| 38 | 1 | 600239-99-0 | Washer ISO 7089 Fe/Zn 8,4x16x1,6 | |
| 39 | 1 | 614090 | Screw ISO 4762 M8x50 Fe/Zn /L.C DIN 267-28 | |
| 40 | 1 | 601074 | Screw ISO 4762 M8x45 Fe/Zn / L.C DIN 267-28 | |
| 41 | 1 | 1829369 | Shock Kit M300/M400 HD | |
| 42 | 1 | 613800 | Shock absorber | |
| 43 | 1 | 319598 | Socket Ø20 | |
| 44 | 1 | 600239-99-0 | Washer ISO 7089 Fe/Zn 8,4x16x1,6 | |
| 45 | 1 | 601075-99-0 | Screw ISO 4762 M8x30 Fe/Zn / L.C DIN 267-28 | |
| 46 | 1 | 1826508 | Caster Complete | |
| 46 | 1 | 1830337 | Caster Complete 6" | |



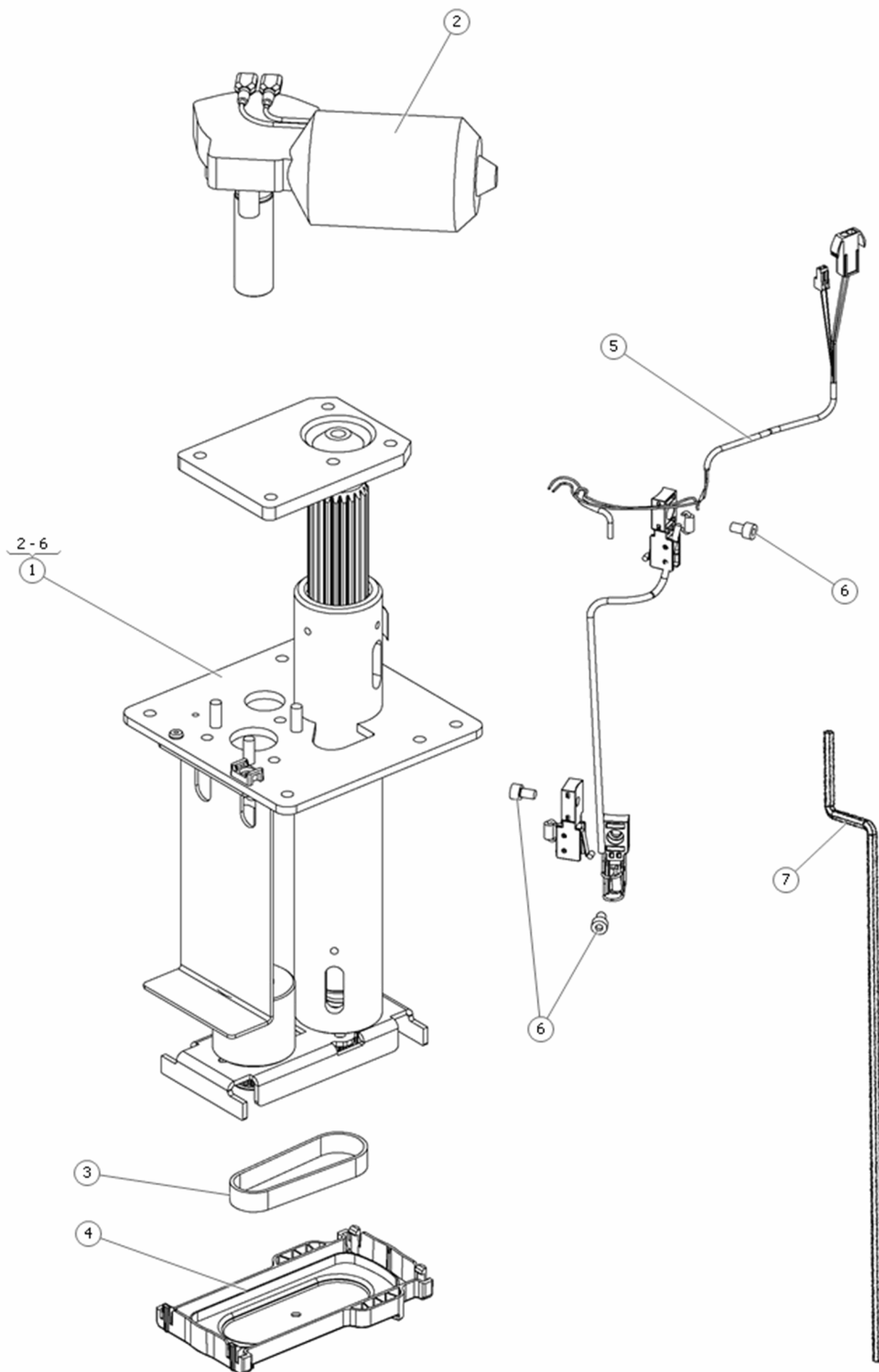
| Pos | Qty | Stock Code | Description | Remark |
|-----|-----|-------------|--------------------------------------|---|
| 1 | 1 | 1826803 | Driving unit incl brake Left 36:1 | |
| 1 | 1 | 1826805 | Driving unit incl brake Left 29:1 | |
| 1 | 1 | 1826807 | Driving unit incl brake Left 24,5:1 | |
| 2 | 1 | 000000 | Driving unit Left 29:1 | |
| 2 | 1 | 000000 | Drive Motor/Gearbox Only, Left | |
| 3 | 1 | 245449 | Coupling brake | |
| 3 | 1 | WR198B93P1 | Coupling Hex Nut | |
| 4 | 1 | 211730 | Screw brake | |
| 5 | 1 | 600503-99-0 | CIRCLIP SGA 8 * | |
| 6 | 1 | 600855-99-0 | KEY 6X6X22 DRIVE SHAFT | |
| 7 | 1 | 1822435 | Hub kit | |
| 8 | 1 | 316597 | Hub steel Ø22x28,5 | |
| 9 | 1 | 600203-99-0 | BOLT MC6S 8x 20 fzb * | |
| 10 | 1 | 1821250 | WASH PLASTIC | |
| 10 | 1 | 612902-99-0 | WASH 8.4x15x1.5 PA | |
| 11 | 1 | 612513-99-0 | WASH 8.4x23x5 HB 305 YELLOW | |
| 12 | 1 | 612531-99-0 | SPACER DB 8x14x0,5 DIN 988 A2 | |
| 13 | 1 | 612512-99-0 | BOLT ISO 4762 M8x25 * | |
| 14 | 1 | 1826808 | Brake | |
| 15 | 1 | 600182-99-0 | Screw ISO 4762 M4x8 Fe/Zn | |
| 16 | 1 | 1823551 | Screw ISO 14583 M4x12 Fe/Zn | |
| 17 | 1 | 600238-99-0 | WASH BRB ISO 7089 6.4x12x1.6 fzb STD | |
| 18 | 1 | 601923-99-0 | BOLT MC6S 6x60 fzb | |
| 19 | 1 | 000000 | Driving unit Right 29:1 | |
| 19 | 1 | 000000 | Drive Motor/Gearbox Only, Right | |
| 20 | 1 | 1826802 | Driving unit incl brake Right 36:1 | |
| 20 | 1 | 1826804 | Driving unit incl brake Right 29:1 | |
| 20 | 1 | 1826806 | Driving unit incl brake Right 24,5:1 | |
| 21 | 1 | 1820306 | Wheel bolt kit | Includes wheel bolt information decal which is not sh.. |



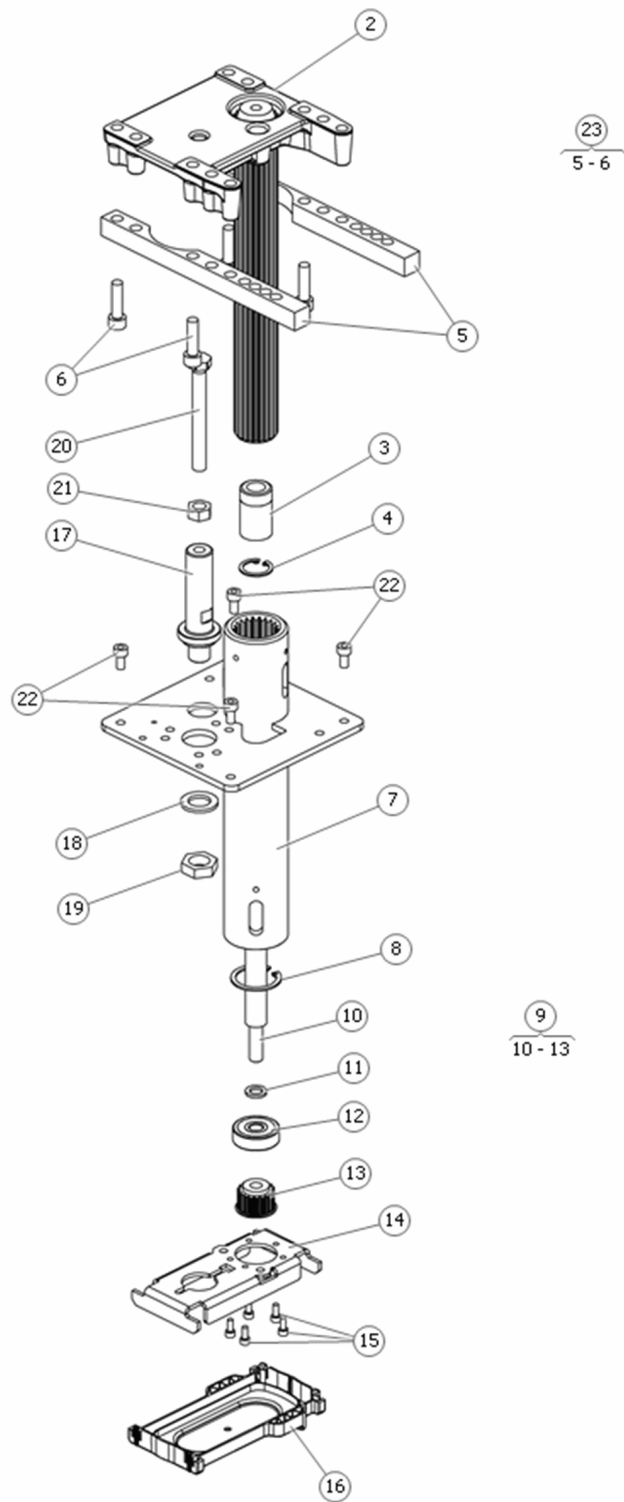
| Pos | Qty | Stock Code | Description | Remark |
|-----|-----|-------------|--------------------------------------|---|
| 1 | 1 | 1826803 | Driving unit incl brake Left 36:1 | |
| 2 | 1 | 000000 | Driving unit Left 29:1 | |
| 2 | 1 | 000000 | Drive Motor/Gearbox Only, Left | |
| 3 | 1 | 245449 | Coupling brake | |
| 4 | 1 | 211730 | Screw brake | |
| 5 | 1 | 600503-99-0 | CIRCLIP SGA 8 * | |
| 6 | 1 | 600855-99-0 | KEY 6X6X22 DRIVE SHAFT | |
| 7 | 1 | 1822435 | Hub kit | |
| 8 | 1 | 316597 | Hub steel Ø22x28,5 | |
| 9 | 1 | 600203-99-0 | BOLT MC6S 8x 20 fzb * | |
| 10 | 1 | 1821250 | WASH PLASTIC | |
| 10 | 1 | 612902-99-0 | WASH 8.4x15x1.5 PA | |
| 11 | 1 | 612513-99-0 | WASH 8.4x23x5 HB 305 YELLOW | |
| 12 | 1 | 612531-99-0 | SPACER DB 8x14x0,5 DIN 988 A2 | |
| 13 | 1 | 612512-99-0 | BOLT ISO 4762 M8x25 * | |
| 14 | 1 | 1826808 | Brake | |
| 15 | 1 | 600182-99-0 | Screw ISO 4762 M4x8 Fe/Zn | |
| 16 | 1 | 1823551 | Screw ISO 14583 M4x12 Fe/Zn | |
| 17 | 1 | 600238-99-0 | WASH BRB ISO 7089 6.4x12x1.6 fzb STD | |
| 18 | 1 | 601923-99-0 | BOLT MC6S 6x60 fzb | |
| 19 | 1 | 000000 | Driving unit Right 29:1 | |
| 19 | 1 | 000000 | Drive Motor/Gearbox Only, Right | |
| 20 | 1 | 1826802 | Driving unit incl brake Right 36:1 | |
| 21 | 1 | 1820306 | Wheel bolt kit | Includes wheel bolt information decal which is not sh.. |



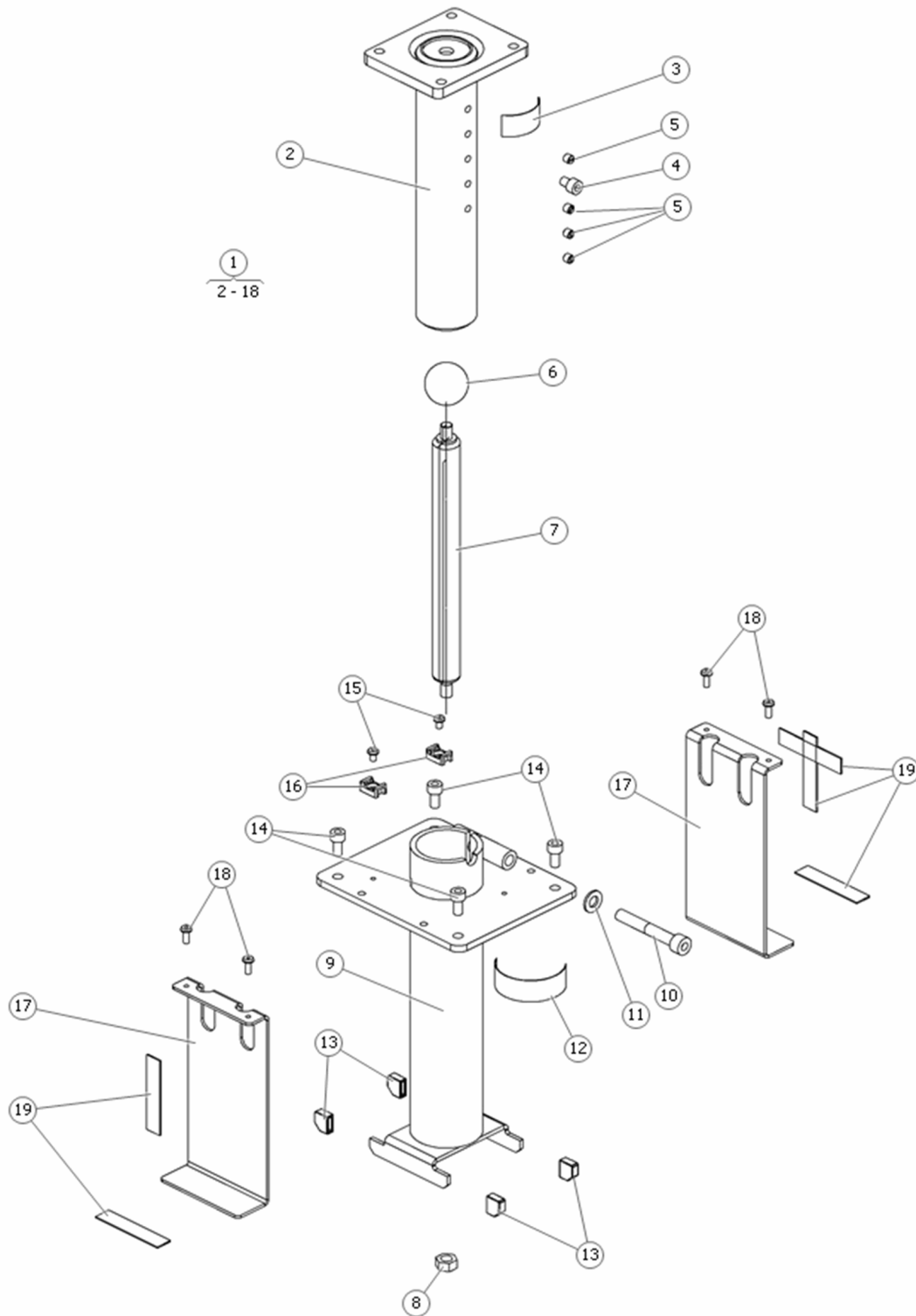
| Pos | Qty | Stock Code | Description | Remark |
|-----|-----|-------------|---|--|
| 1 | 1 | 1822977 | Wheel 3.00" x 8" solid | |
| 1 | 1 | 1822978 | Wheel 3.00" x 8" solid | Includes hub (not pictured) and hub cap (not shown t.. |
| 2 | 1 | 1822971 | Wheel 3.00" x 8" air | |
| 2 | 1 | 1822973 | Wheel 3.00" x 8" air | Includes hub (not pictured), and hub cap (shown to n.. |
| 2 | 1 | 1825153 | WHEEL MUD AND SNOW 3.00"x8" AIR | |
| 3 | 1 | 1822361 | Tire 3.00" x 8" SOLID TIRE | |
| 4 | 1 | 316130 | Rim inner | |
| 5 | 1 | 316131 | Rim outer | |
| 6 | 1 | 600880-99-0 | Screw ISO 4762 M8x30 Fe/Zn | |
| 6 | 1 | 601075-99-0 | Screw ISO 4762 eslock M8x30 Fe/Zn | |
| 7 | 1 | 600770-99-0 | Tube 3.00- 8 | |
| 8 | 1 | 1824843 | Tire 3.00" x 8" AIR | |
| 8 | 1 | 1825108 | TIRE MUD AND SNOW 3.00"x8" | |
| 9 | 1 | 1825345 | Tri-spoke hub cap – vintage wine | |
| 9 | 1 | 1825346 | Tri-spoke hub cap – crystal blue | |
| 9 | 1 | 1825347 | Tri-spoke hub cap – black onyx | |
| 9 | 1 | 1825348 | Tri-spoke hub cap – platinum silver | |
| 9 | 1 | 1825349 | Tri-spoke hub cap – extreme yellow | |
| 9 | 1 | 1825350 | Tri-spoke hub cap – chili pepper red | |
| 9 | 1 | 1825351 | Tri-spoke hub cap – titan blue | |
| 9 | 1 | 1825352 | Tri-spoke hub cap – metallic gray | |
| 9 | 1 | 1825353 | Tri-spoke hub cap – metallic green | |
| 9 | 1 | 1825354 | Tri-spoke hub cap – pop star pink | |
| 9 | 1 | 1826995 | Hub cap Red metallic | |
| 9 | 1 | 1826996 | Hub cap Green metallic | |
| 9 | 1 | 1826997 | Hub Cap Sublime Green | |
| 9 | 1 | 1826998 | Hub cap Black Onyx | |
| 9 | 1 | 1826999 | Hub cap Silver | |
| 9 | 1 | 1827000 | Hub cap Titan Blue | |
| 9 | 1 | 316132 | Hub cap | |
| 10 | 1 | 1822232 | Rim 1.50x8" 3-spoke | |
| 11 | 1 | 1826259 | Tire 200x50 solid | |
| 12 | 1 | 316154 | Rim outer 200x50 | |
| 13 | 1 | 316149 | Rim inner 200x50 | |
| 14 | 1 | 600196-99-0 | BOLT MC6S 6x30 fzb * | |
| 15 | 1 | 1821261 | Nut DIN 982 M6 fzb | |
| 16 | 1 | 318410 | Spacer Ø16xØ22x12,5 | |
| 17 | 1 | 600752-99-0 | Ball bear 6002-2RS1 * | |
| 18 | 1 | 000000 | Caster wheel 200x50 solid | |
| 19 | 1 | 305390-99-0 | Washer 8.5x23x3 | |
| 20 | 1 | 613088-99-0 | Screw ISO 4762 M8x16 10.9 Fe/Zn /DIN 267-28 | |
| 21 | 1 | 601068 | Plastic plug Ø35x11,5 (Ø30-31,5) | |
| 22 | 1 | 1826903 | Caster wheel bolt kit | |
| 23 | 1 | 1826508 | Caster wheel including bolt kit | |



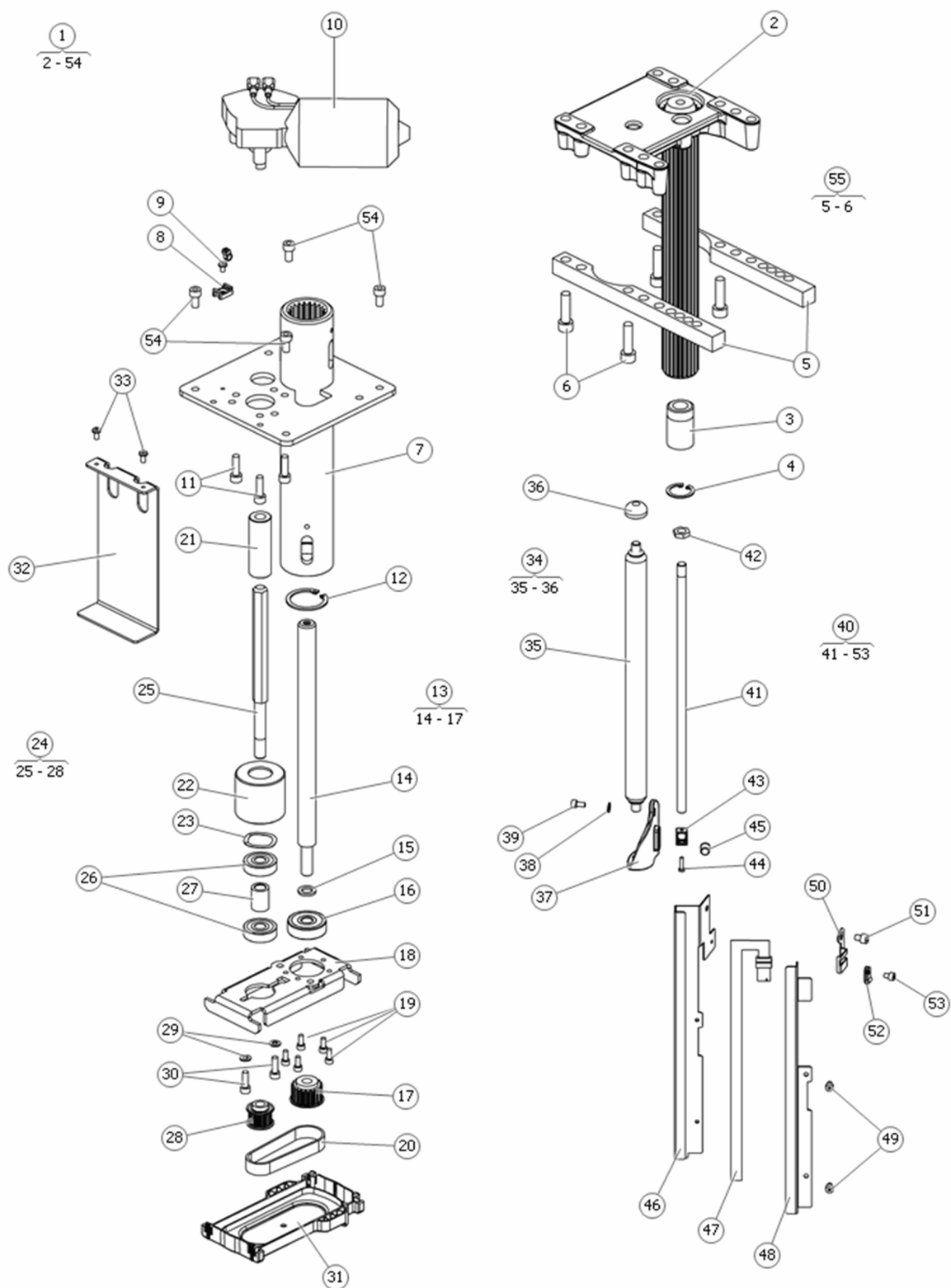
| Pos | Qty | Stock Code | Description | Remark |
|-----|-----|-------------|---------------------------|-------------|
| 1 | 1 | 1830512 | Seat elevator | |
| 2 | 1 | 1830165 | Motor 240rpm 24V 30W | With socket |
| 3 | 1 | 1828657 | Timing belt | 12mm |
| 4 | 1 | 1828656 | Cover seat elevator base | |
| 5 | 1 | 311628-99-0 | CABLE SEAT ELEV | |
| 6 | 1 | 600188-99-0 | Screw ISO 4762 M5x8 Fe/Zn | |
| 7 | 1 | 303668-99-0 | SEAT ELEV KEY | |



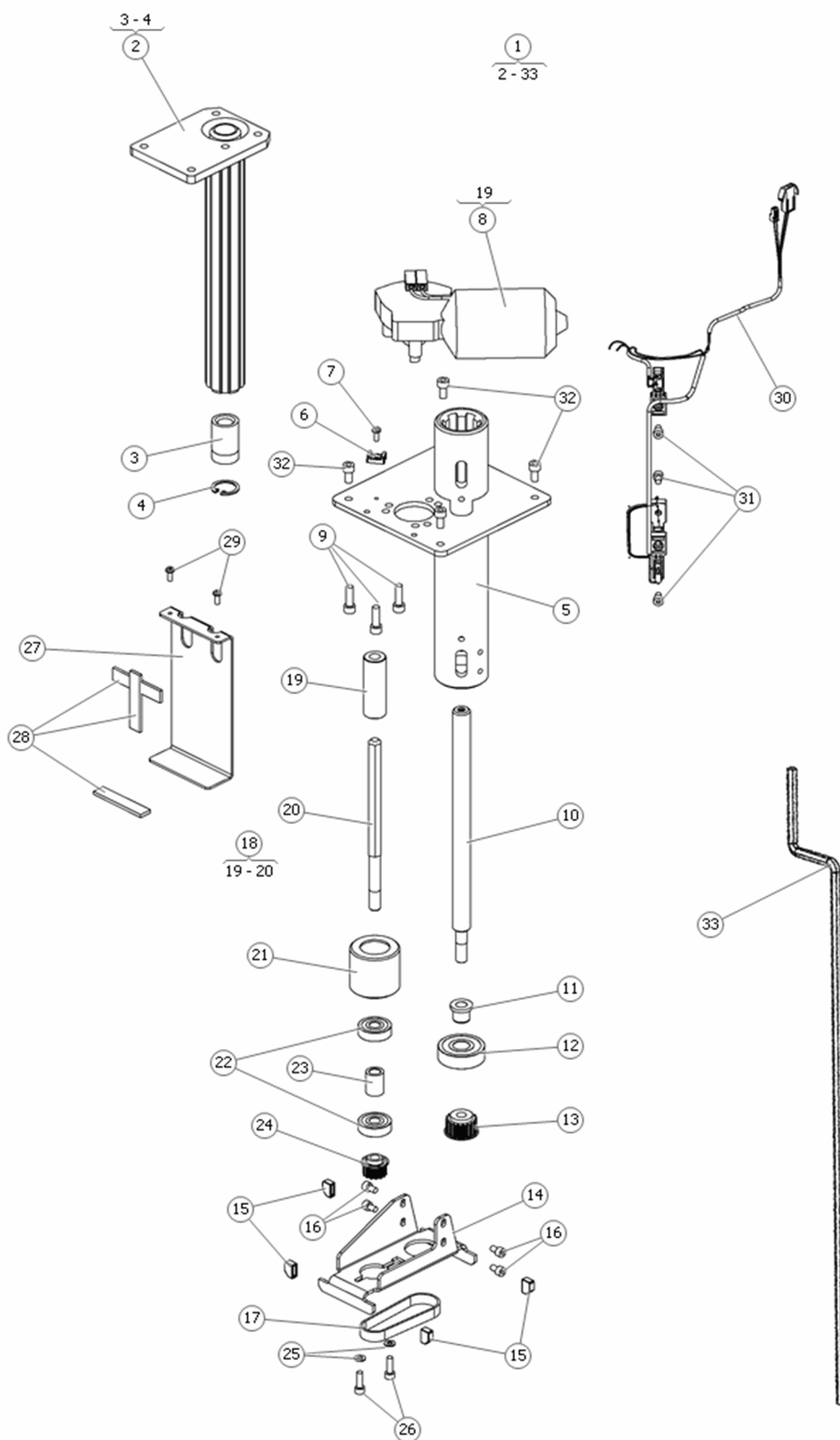
| Pos | Qty | Stock Code | Description | Remark |
|-----|-----|-------------|---|--------|
| 1 | 1 | 1828735 | HD Seat tube | |
| 1 | 1 | 321036 | HD Seat tube | |
| 2 | 1 | 1828659 | Inner tube | |
| 2 | 1 | 320995 | Inner tube incl. nut/21 teeth | |
| 3 | 1 | 302248 | Nut | |
| 4 | 1 | 612307 | Circlip internal DIN 472 Ø24 | |
| 5 | 1 | 000000 | TO ORDER SEE POSITION #23 | |
| 5 | 1 | 321305 | Support bar | |
| 6 | 1 | 601075-99-0 | BOLT ESLOK 8x30 fzb DR.WH M1,2 MA,II M90,T CH | |
| 7 | 1 | 317879 | Outer tube weld 21 teeth | |
| 8 | 1 | 601239 | Circlip internal DIN 472 Ø35 | |
| 9 | 1 | 318617 | Screw Seat elevator incl. Belt pulley 27,8 | |
| 10 | 1 | 317977 | Screw Seat elevator 21 teeth L=265 | |
| 11 | 1 | 318518 | Washer Ø16x10,1x2 | |
| 12 | 1 | 613516 | Ball bearing 6300-2RSH (10x35x11) | |
| 13 | 1 | 313638 | Pulley wheel incl. washer Ø27,8 | |
| 14 | 1 | 317955 | Plate | |
| 15 | 5 | 613945 | Screw ISO 4762 M4x10 12.9 | |
| 16 | 1 | 320783 | Cover | |
| 17 | 1 | 321026 | Bracket seat supp | |
| 18 | 1 | 612942 | Washer ISO 7092 Fe/Zn 17x28x2,5 | |
| 19 | 1 | 602758 | Thin Nut ISO 4035 M16 Fe/Zn | |
| 19 | 1 | 602758-99-0 | Thin nut | |
| 20 | 1 | 614012 | Screw ISO 4017 M10x90 Fe/Zn | |
| 21 | 1 | 600256-99-0 | NUT M6M 10 fzb ISO4032 * | |
| 22 | 4 | 600192-99-0 | BOLT MC6S 6x12 fzb * | |
| 23 | 1 | 1828736 | Support Bar | |



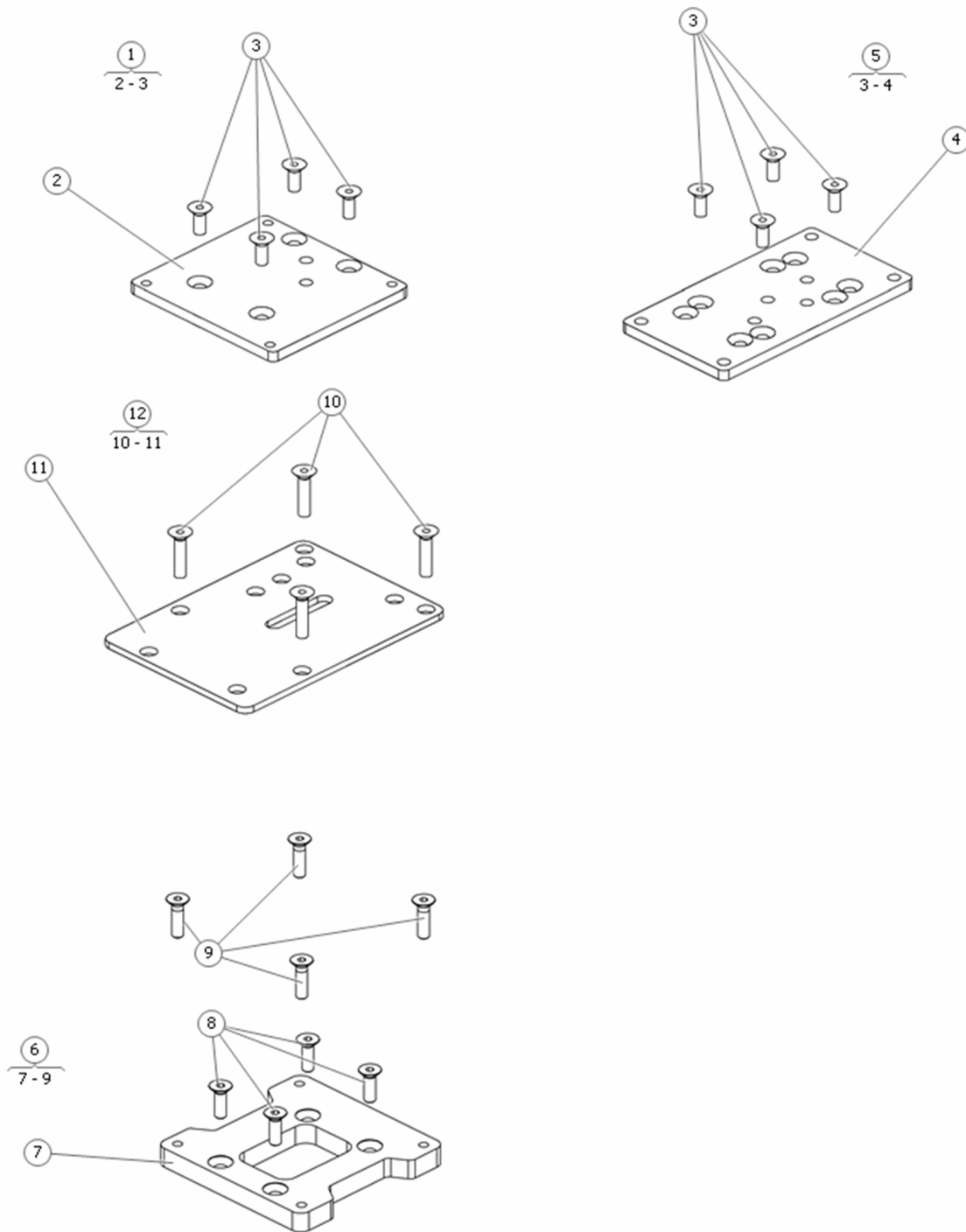
| Pos | Qty | Stock Code | Description | Remark |
|-----|-----|-------------|----------------------------------|-------------|
| 1 | 1 | 1826957 | Seat tube | |
| 2 | 1 | 1826958 | Seat tube | |
| 3 | 1 | 313991 | STICKER | |
| 4 | 1 | 601359-99-0 | BOLT MC6S 6x 8 fzb * | |
| 5 | 1 | 612828 | SET SCREW | |
| 6 | 1 | 612954 | HANDLE | |
| 7 | 1 | 612958 | GAS SPRING | |
| 8 | 1 | 600228-99-0 | LOCK NUT M8 FZB * | |
| 9 | 1 | 313593 | OUTER TUBE | |
| 10 | 1 | 601157-99-0 | BOLT MC6S 8x 55 fzb * | |
| 11 | 1 | 600239-99-0 | Washer ISO 7089 8,4x16x1,6 Fe/Zn | |
| 12 | 1 | 308077 | STICKER | |
| 13 | 1 | 1820421 | CAP | Incl. 4 pcs |
| 14 | 1 | 600192-99-0 | BOLT MC6S 6x12 fzb * | |
| 15 | 1 | 601381-99-0 | BOLT K6S 4x 8 fzb * | |
| 16 | 1 | 601204-99-0 | CABLE TIE HOLD TM 2 S8 * | |
| 17 | 1 | 313643 | PLATE | |
| 18 | 1 | 601381-99-0 | BOLT K6S 4x 8 fzb * | |
| 19 | 1 | 319729 | RECLOSABLE FASTENER | |



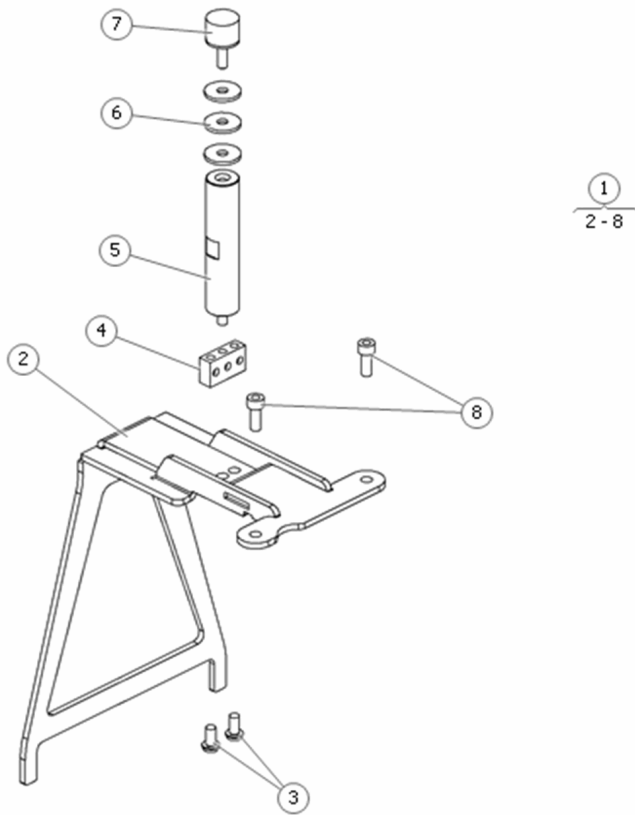
| Pos | Qty | Stock Code | Description | Remark |
|-----|-----|-------------|---|--------|
| 1 | 1 | 1828734 | HD Seat elevator | |
| 1 | 1 | 321037 | HD Seat elevator | |
| 2 | 1 | 1828659 | Inner tube incl. nut/21 teeth | |
| 3 | 1 | 302248 | Nut | |
| 4 | 1 | 612307 | Circlip internal DIN 472 Ø24 | |
| 5 | 1 | 000000 | TO ORDER SEE POSITION #55 | |
| 5 | 1 | 321305 | Support bar | |
| 6 | 1 | 601075-99-0 | BOLT ESLOK 8x30 fzb DR.WH MI,2 MA,II M90,T CH | |
| 7 | 1 | 317879 | Outer tube weld 21 teeth | |
| 8 | 1 | 601204-99-0 | CABLE TIE HOLD TM 2 S8 * | |
| 9 | 1 | 612474 | Screw ISO 7380 M4x6 Fe/Zn | |
| 10 | 1 | 1828660 | Motor 270 RPM, 24V, 30W | |
| 11 | 1 | 600194-99-0 | BOLT MC6S 6x20 fzb | |
| 12 | 1 | 601239 | Circlip internal DIN 472 Ø35 | |
| 13 | 1 | 318617 | Screw Seat elevator incl. Belt pulley 27,8 | |
| 14 | 1 | 317977 | Screw Seat elevator 21 teeth L=265 | |
| 15 | 1 | 318518 | Washer Ø16x10,1x2 | |
| 16 | 1 | 613516 | Ball bearing 6300-2RSH (10x35x11) | |
| 17 | 1 | 313638 | Pulley wheel incl. washer Ø27,8 | |
| 18 | 1 | 317955 | Plate | |
| 19 | 1 | 613945 | Screw ISO 4762 M4x10 12.9 | |
| 20 | 1 | 1828657 | Timing belt 12mm | |
| 21 | 1 | 1830072 | PLASTIC SLEEVE SEAT ELEV CH CH2k CHHD | |
| 21 | 1 | 309087-99-0 | PLASTIC SLEEVE SEAT ELEV CH CH2k CHHD | |
| 22 | 1 | 313636 | Bearing race | |
| 23 | 1 | 613990 | Spring disc washer DIN 17222 22.5/29.7x0.3 | |
| 24 | 1 | 318618 | Shaft Seat elevator incl. Belt pulley 21,45 | |
| 25 | 1 | 313962 | Screw | |
| 26 | 1 | 600515 | BALL BEAR 6200-2RS1 | |
| 27 | 1 | 313637 | Socket | |
| 28 | 1 | 313639 | Pulley wheel incl. washer Ø21,45 | |
| 29 | 1 | 600237-99-0 | WASH BRB 5.3x10x 1 fzb * | |
| 30 | 1 | 601165-99-0 | BOLT MC6S 5x16 fzb * | |
| 31 | 1 | 1828656 | Cover | |
| 32 | 1 | 313643 | Plate | |
| 33 | 1 | 601381-99-0 | BOLT K6S 4x 8 fzb * | |
| 34 | 1 | 000000 | Gas spring incl.knob | |
| 35 | 1 | 1828658 | Gas spring 220mm 700N | |
| 36 | 1 | 1828661 | Knob M8xØ19 H=10,5 | |
| 37 | 1 | 320735 | Holder | |
| 38 | 1 | 601296-99-0 | WASH BRB 4.3x 9x0.8 fzb STD | |
| 39 | 1 | 600182-99-0 | BOLT MC6S 4x 8 fzb | |
| 40 | 1 | 1828662 | Position sensor C-series | |
| 41 | 1 | 318071 | Pin | |
| 42 | 1 | 600840-99-0 | NUT ML6M 8 fzb * | |
| 43 | 1 | 318486 | Holder | |
| 44 | 1 | 612946 | Tapping screw 3x12 Fe/Zn | |
| 45 | 1 | 612910 | Spring plunger GN 614-8-KU | |
| 46 | 1 | 318060 | Plate | |
| 47 | 1 | 318113 | Pot Soft pot L=250 | |
| 48 | 1 | 318061 | Lock | |
| 49 | 1 | 601282-99-0 | BOLT MC6S 4x5 fzb ISO 7262 Fe/Zn | |
| 50 | 1 | 321020 | Conector bracket soft pot | |
| 51 | 1 | 601126-99-0 | BOLT MC6S 5x 6 fzb * | |
| 52 | 1 | 613193 | Cable clip Ø4,8mm | |
| 53 | 1 | 601282-99-0 | BOLT MC6S 4x5 fzb ISO 7262 Fe/Zn | |
| 54 | 1 | 600192-99-0 | BOLT MC6S 6x12 fzb * | |
| 55 | 1 | 1828736 | Support bar | |



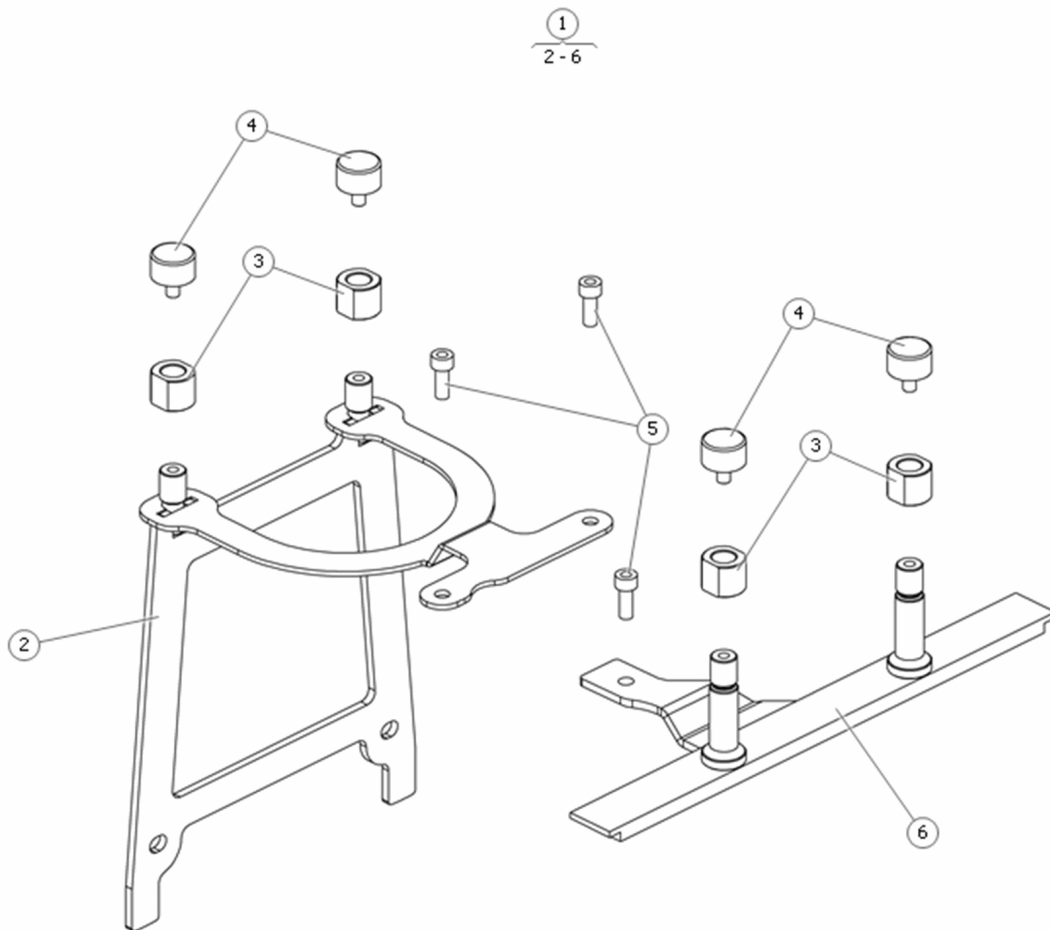
| Pos | Qty | Stock Code | Description | Remark |
|-----|-----|-------------|--|--------|
| 1 | 1 | 1825840 | Seat elevator | |
| 2 | 1 | 1828368 | Inner Tube | |
| 2 | 1 | 319830 | Inner tube | |
| 3 | 1 | 302248 | Nut | |
| 4 | 1 | 612307 | Circlip internal DIN 472 Ø24 | |
| 5 | 1 | 313627 | Outer tube | |
| 6 | 1 | 601204-99-0 | CABLE TIE HOLD TM 2 S8 * | |
| 7 | 1 | 601187-99-0 | BOLT K6S 4x10 fzb * | |
| 8 | 1 | 1820425 | Motor 240rpm 24V 30W | |
| 9 | 1 | 600194-99-0 | BOLT MC6S 6x20 fzb | |
| 10 | 1 | 313621 | Screw seatelevator | |
| 11 | 1 | 310277 | Socket | |
| 12 | 1 | 600709-99-0 | BALL BEAR 6302-2RS1 * | |
| 13 | 1 | 313638 | Wheel incl. Washer Ø27,8 | |
| 14 | 1 | 313521 | Plate | |
| 15 | 4 | 1820421 | Cap | |
| 16 | 1 | 600188-99-0 | BOLT MC6S 5x 8 fzb | |
| 17 | 1 | 600892-99-0 | DRIVEB SEAT ELEV MS90 CHHD HEXIII,8 CH2k | |
| 18 | 1 | 1820426 | Transmission kit | |
| 19 | 1 | 1830072 | PLASTIC SLEEVE SEAT ELEVATOR | |
| 19 | 1 | 1830072 | PLASTIC SLEEVE SEAT ELEV CH CH2k CHHD | |
| 19 | 1 | 309087-99-0 | PLASTIC SLEEVE SEAT ELEV CH CH2k CHHD | |
| 20 | 1 | 313962 | Transmission axel | |
| 21 | 1 | 313636 | Bearing race | |
| 22 | 1 | 600515 | BALL BEAR 6200-2RS1 | |
| 23 | 1 | 313637 | Socket | |
| 24 | 1 | 313639 | Wheel incl. Washer Ø21,45 | |
| 25 | 1 | 600237-99-0 | WASH BRB 5.3x10x 1 fzb * | |
| 26 | 1 | 601165-99-0 | BOLT MC6S 5x16 fzb * | |
| 27 | 1 | 313643 | Plate | |
| 28 | 3 | 612482 | Reclosable fastener 12,7mm adhesive | |
| 29 | 1 | 601187-99-0 | BOLT K6S 4x10 fzb * | |
| 30 | 1 | 311195-99-0 | CABLE SEAT ELEV P+ | |
| 31 | 1 | 600188-99-0 | BOLT MC6S 5x 8 fzb | |
| 32 | 1 | 600192-99-0 | BOLT MC6S 6x12 fzb * | |
| 33 | 1 | 303668-99-0 | SEAT ELEV KEY | |



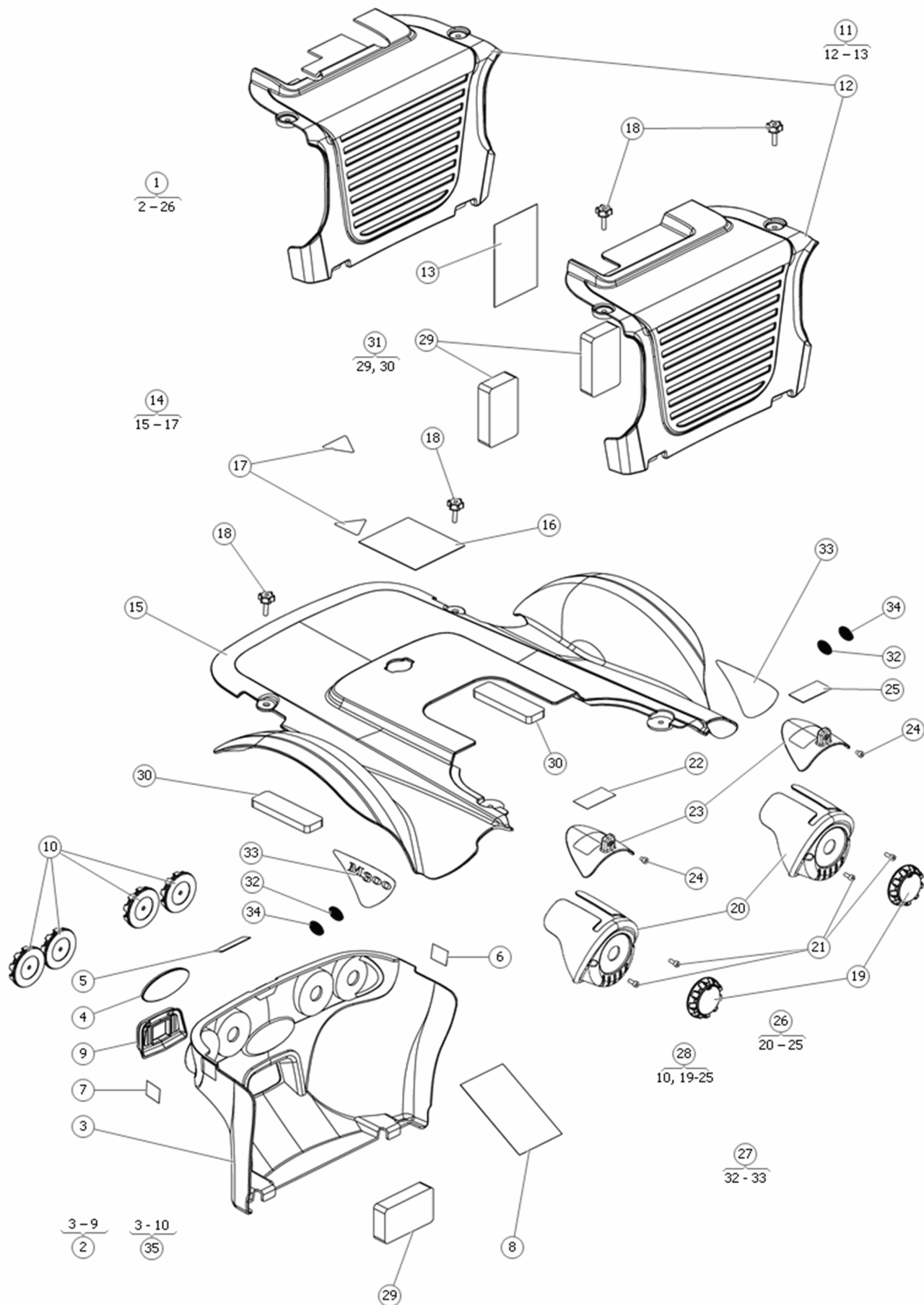
| Pos | Qty | Stock Code | Description | Remark |
|-----|-----|-------------|--|--------|
| 1 | 1 | 1825313 | ADAPTER PLATE ASSY PS-junior tilt | |
| 2 | 1 | 318488 | Adapter plate | |
| 3 | 1 | 600764-99-0 | Screw ISO 10642 M8x20 Fe/Zn | |
| 4 | 1 | 318606 | Adapter plate | |
| 5 | 1 | 1825313 | ADAPTER PLATE ASSY PS M300/400 | |
| 6 | 1 | 1830137 | Adapter kit PS-junior no tilt | |
| 7 | 1 | 322902 | Adapter plate | |
| 8 | 1 | 600744-99-0 | Screw ISO 10642 M8x25 Fe/Zn | |
| 9 | 1 | 601257-99-0 | Screw ISO 10642 M8x30 Fe/Zn | |
| 10 | 1 | 612349 | Screw ISO 10642 M8x35 Fe/Zn locking coat | |
| 11 | 1 | 318274 | Adapter plate PS-junior fixed | |
| 12 | 1 | 1830746 | Adapter plate kit PS-junior fixed | |



| Pos | Qty | Stock Code | Description | Remark |
|-----|-----|-------------|--------------------------------|--------|
| 1 | 1 | 1826694 | Seat support kit | |
| 2 | 1 | 320397 | Seat support | |
| 3 | 1 | 601422-99-0 | Screw ISO 7380 M6x12 Fe/Zn | |
| 4 | 1 | 320042 | Bracket | |
| 5 | 1 | 320298 | Spacer h=92mm | |
| 6 | 1 | 601248 | Washer ISO 7094 6,6x22x2 Fe/Zn | |
| 7 | 1 | 612668 | Rubber block Ø20x16 M6x18,5 | |
| 8 | 1 | 600743-99-0 | Screw ISO 4762 M6x16 Fe/Zn | |

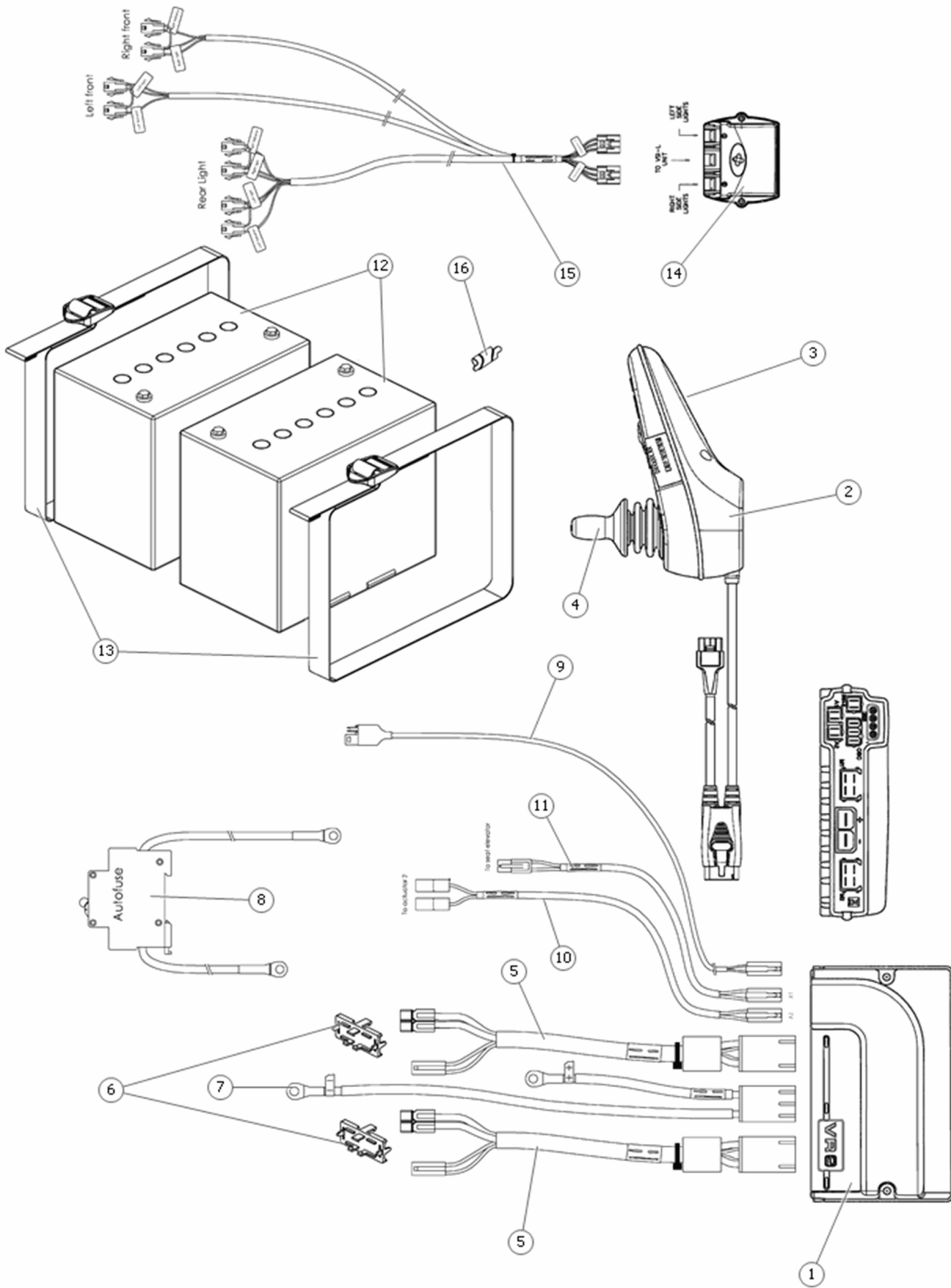


| Pos | Qty | Stock Code | Description | Remark |
|-----|-----|-------------|---|--------|
| 1 | 1 | 1828443 | Seat support kit HD | |
| 2 | 1 | 321065 | Rear support frame | |
| 3 | 1 | 320504 | Jam Nut | |
| 4 | 1 | 602639-99-0 | Rubber block Ø20x12 M6x10 TYPE D NBR 60SH | |
| 5 | 1 | 600743-99-0 | Screw ISO 4762 M6x16 Fe/Zn | |
| 6 | 1 | 321054 | Front support frame | |

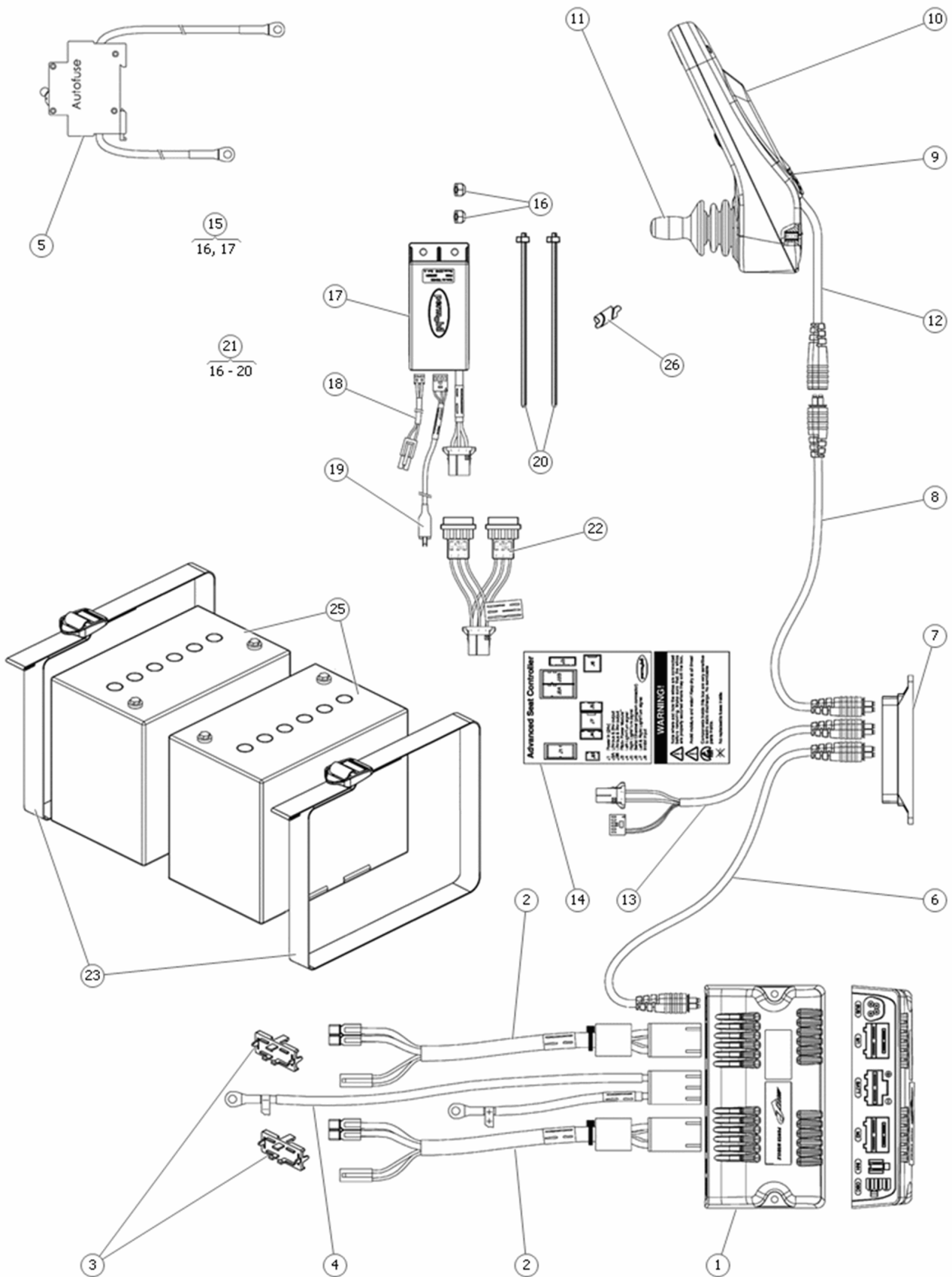


| Pos | Qty | Stock Code | Description | Remark |
|-----|-----|-------------|--|---|
| 1 | 1 | 319900 | Cover kit | |
| 2 | 1 | 1826504 | Cover rear incl. Stickers | |
| 3 | 1 | 000000 | TO ORDER SEE POSITION #35 | REFLECTORS EXPEC'D IN US MARKET |
| 3 | 1 | 320041 | Cover rear | |
| 4 | 1 | 1822645 | Sticker Permobil | |
| 4 | 1 | 306200-99-0 | Sticker Permobil | |
| 5 | 1 | 308642-99-0 | DECAL MAIN.FUSE TR * | |
| 6 | 1 | 312872-99-2 | DECAL HOOKBRACKET * | |
| 7 | 1 | 312871-99-1 | DECAL HOOKBRACKET * | |
| 8 | 1 | 1827545 | Sticker battery & fuse | |
| 9 | 1 | 1826970 | Protect | |
| 10 | 4 | 1826964 | Reflector red | |
| 11 | 1 | 1826505 | Cover front incl. Stickers | |
| 11 | 1 | 1828442 | Cover front HD incl. Stickers | |
| 12 | 1 | 000000 | TO ORDER SEE POSITION #11 | |
| 12 | 1 | 320051 | Cover front | |
| 12 | 1 | 321343 | Cover front HD | |
| 13 | 1 | 1827545 | Sticker battery & fuse | |
| 14 | 1 | 1826648 | M300 Cover chassi incl. Stickers Red metallic | |
| 14 | 1 | 1826649 | M300 Cover chassi incl. Stickers Green metallic | |
| 14 | 1 | 1826650 | M300 Cover chassi incl. Stickers Black onyx | |
| 14 | 1 | 1826650 | M300 COVER BLACK ONYX | |
| 14 | 1 | 1826651 | M300 Cover chassi incl. Stickers Platinum silver | |
| 14 | 1 | 1826651 | M300 COVER PLATINUM SILVER | |
| 14 | 1 | 1826652 | M300 Cover chassi incl. Stickers titan blue | |
| 14 | 1 | 1826653 | M400 Cover chassi incl. Stickers Red metallic | |
| 14 | 1 | 1826654 | M400 Cover chassi incl. Stickers Green metallic | |
| 14 | 1 | 1826655 | M400 Cover chassi incl. Stickers Black onyx | |
| 14 | 1 | 1826655 | M400 COVER ONYX BLACK | |
| 14 | 1 | 1826656 | M400 Cover chassi incl. Stickers Platinum silver | |
| 14 | 1 | 1826656 | M400 COVER PLATINUM SILVER | |
| 14 | 1 | 1826657 | M400 Cover chassi incl. Stickers titan blue | |
| 14 | 1 | 1826881 | M300 Cover chassi incl. Stickers bright green | |
| 14 | 1 | 1826881 | M300 COVER SUBLIME GREEN | |
| 14 | 1 | 1826882 | M400 Cover chassi incl. Stickers bright green | |
| 14 | 1 | 1826882 | M400 COVER SUBLIME GREEN | |
| 14 | 1 | 1828306 | M300 COVER DIGITAL ARMY CAMO | |
| 14 | 1 | 1828307 | M400 COVER DIGITAL ARMY CAMO | |
| 14 | 1 | 1828310 | M300 COVER REALTREE AP CAMO | |
| 14 | 1 | 1828311 | M400 COVER REALTREE AP CAMO | |
| 14 | 1 | 1828318 | M300HD COVER BLACK ONYX | |
| 14 | 1 | 1828319 | M300HD COVER SUBLIME GREEN | |
| 14 | 1 | 1828321 | M300HD COVER PLATINUM SILVER | |
| 14 | 1 | 1828766 | M300 COVER COBALT BLUE | |
| 14 | 1 | 1828767 | M300 COVER PURPLE RAIN | |
| 14 | 1 | 1828768 | M300 COVER PHANTOM GREY | |
| 14 | 1 | 1828769 | M300 COVER POP STAR PINK | |
| 14 | 1 | 1828771 | M300 COVER VOLCANO RED | |
| 14 | 1 | 1828772 | M300HD COVER COBALT BLUE | |
| 14 | 1 | 1828773 | M300HD COVER PURPLE RAIN | |
| 14 | 1 | 1828774 | M300HD COVER PHANTOM GREY | |
| 14 | 1 | 1828775 | M300HD COVER POP STAR PINK | |
| 14 | 1 | 1828778 | M300HD COVER VOLCANO RED | |
| 14 | 1 | 1828831 | M400 COVER COBALT BLUE | |
| 14 | 1 | 1828832 | M400 COVER PURPLE RAIN | |
| 14 | 1 | 1828833 | M400 COVER PHANTOM GREY | |
| 14 | 1 | 1828835 | M400 COVER POP STAR PINK | |
| 14 | 1 | 1828837 | M400 COVER VOLCANO RED | |
| 14 | 1 | 1829080 | M300HD COVER DIGITAL ARMY CAMO | |
| 14 | 1 | 1829082 | M300HD COVER REALTREE AP CAMO | |
| 14 | 1 | 320053 | Cover chassi incl. Stickers | |
| 15 | 1 | 000000 | TO ORDER SEE POSITION #14 | |
| 15 | 1 | 320050 | Cover chassi | |
| 16 | 1 | 316704 | Sticker warning radio waves | |
| 17 | 2 | 313891-99-0 | DECAL SEAT TILT WARNING | |
| 18 | 1 | 1828441 | Lock handle | |
| 19 | 2 | 1826962 | Reflector white | |
| 20 | 1 | 000000 | TO ORDER SEE POSITIONS #26 OR #28 | |
| 20 | 1 | 320054 | Cover motor | |
| 21 | 4 | 600183-99-0 | BOLT MC6S 4x10 fzb * | |
| 22 | 1 | 1827479 | Sticker brake release left | |
| 23 | 1 | 000000 | TO ORDER SEE POSITIONS #26 OR #28 | |
| 23 | 1 | 320055 | Cover brake release | |
| 24 | 2 | 601282-99-0 | Screw ISO 4762 M4x5 Fe/Zn | |
| 25 | 1 | 313858-99-0 | STICKER BRAKE RELEASE | |
| 26 | 1 | 1826698 | Cover kit brake release | |
| 27 | 1 | 1828779 | Sticker kit "M400" "S" "HD" | |
| 28 | 1 | 1826695 | REFLECTOR KIT | |
| 29 | 1 | 000000 | TO ORDER SEE POSITION #31 | |
| 29 | 1 | 320264 | Vibration absorber | |
| 30 | 1 | 000000 | TO ORDER SEE POSITION #31 | |
| 30 | 1 | 320265 | Vibration absorber | |
| 31 | 1 | 1827675 | Vibration absorber kit | Incl. damper pad for R-net electronics bracket plate... |

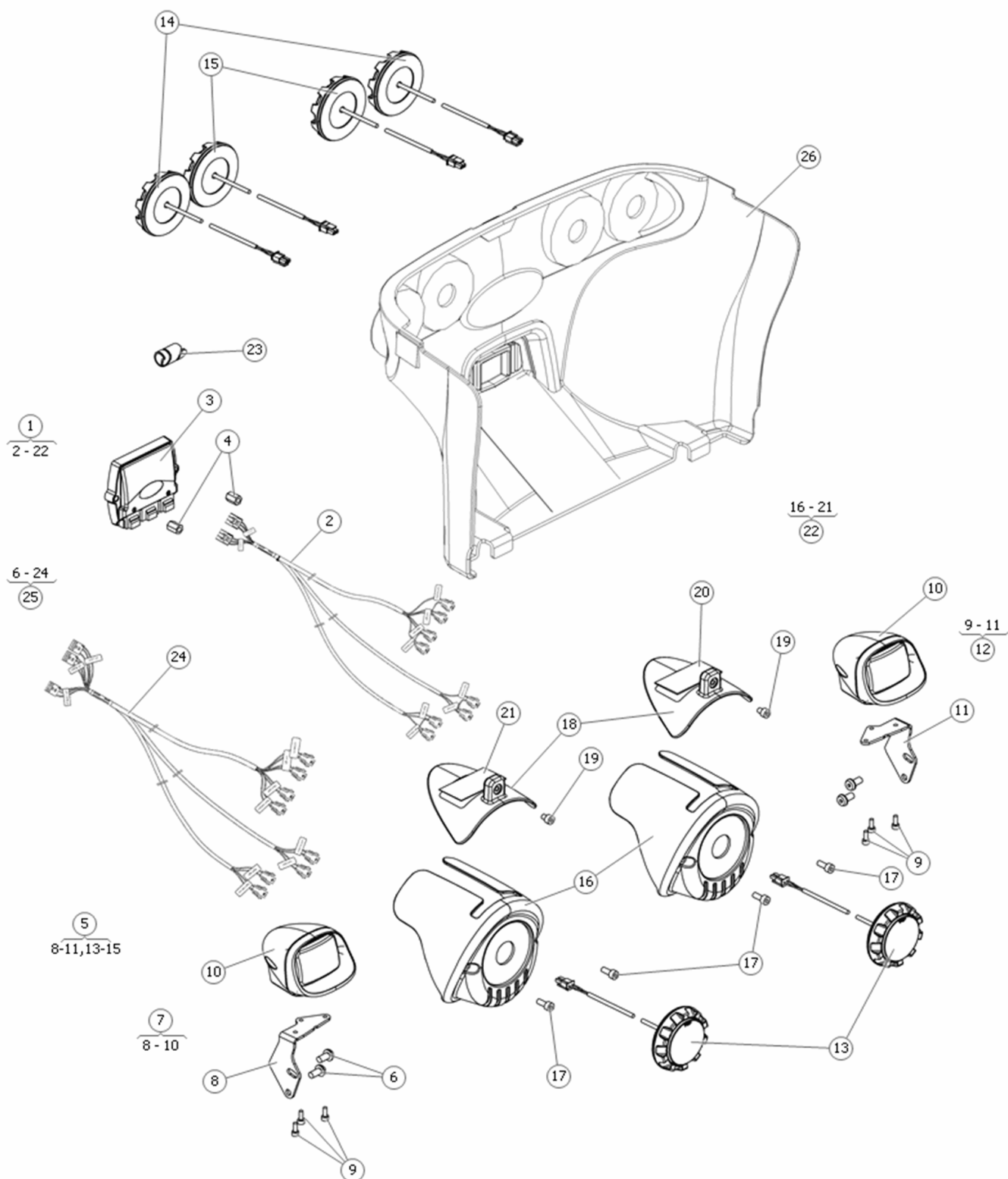
| Pos | Qty | Stock Code | Description | Remark |
|-----|-----|------------|--------------|---------------------------------|
| 32 | 1 | 1827583 | Sticker "S" | |
| 33 | 1 | 1827179 | Sticker M300 | Left and Right side. |
| 33 | 1 | 1827180 | Sticker M400 | Left and Right side. |
| 34 | 1 | 1828444 | Decal "HD" | |
| 34 | 1 | 250461 | Sticker "HD" | |
| 35 | 1 | 1826504 | Cover rear | REFLECTORS EXPEC'D IN US MARKET |



| Pos | Qty | Stock Code | Description | Remark |
|-----|-----|-------------|----------------------------------|--------|
| 1 | 1 | 1825295 | Electronics advanced VR2 PM90-A2 | |
| 1 | 1 | 613702 | Electronics basic VR2 PM90 | |
| 2 | 1 | 1822387 | Control panel VR2 JSM | |
| 2 | 1 | 1822388 | Control panel VR2 JSM-L-A | |
| 3 | 1 | 1824344 | Charge sticker | |
| 4 | 1 | 1823297 | Knob | |
| 5 | 1 | 1822376 | Cable motor and brake | |
| 6 | 1 | 1826243 | Cable clip | |
| 7 | 1 | 1822377 | Cable battery | |
| 8 | 1 | 1826760 | Mainfuse 63A | |
| 9 | 1 | 1826759 | Cable inhibit/low speed | |
| 10 | 1 | 1822365 | Cable actuator | |
| 11 | 1 | 1822364 | Cable seat elevator | |
| 12 | 1 | 603073-99-0 | Battery 60AMP Gel Low | |
| 13 | 1 | 1820532 | Web. Belt battery | |
| 14 | 1 | 1822470 | Light module VR2 | |
| 15 | 1 | 1826762 | Cable adapter light | |
| 16 | 1 | 1827459 | Cable clip Ø12,8mm | |



| Pos | Qty | Stock Code | Description | Remark |
|-----|-----|-------------|--|--|
| 1 | 1 | 1822393 | R-net Power module 120 A | |
| 2 | 1 | 1822376 | Cable motor and brake | |
| 3 | 1 | 1826243 | Cable clip | |
| 4 | 1 | 1822377 | Cable battery | |
| 5 | 1 | 1826760 | Cable mainfuse 63A | |
| 6 | 1 | 1821538 | Cable bus r-net L=500mm | |
| 7 | 1 | 1821537 | Connection block R-net 4-pos | |
| 8 | 1 | 1821526 | Cable bus r-net L=2500mm | |
| 8 | 1 | 1824291 | Cable bus r-net L=1500mm | |
| 9 | 1 | 1822389 | Control panel JSM-L-SW R-NET | |
| 9 | 1 | 1822390 | Control panel JSM-L-SW-T R-NET | |
| 9 | 1 | 1825746 | Control panel CJSM-L-SW R-NET | |
| 9 | 1 | 1825758 | Control panel JSM-LED R-NET | |
| 9 | 1 | 1826544 | R-NET COLOR JOYST MODULE LIGHTS SWITCH TOGGLES PER | |
| 9 | 1 | 1826545 | R-NET JSM SPD POT & TOGGLE | |
| 9 | 1 | 1826588 | R-NET COLOR JOYST MODULE LIGHTS-SW-POT-TOGGLE PER | |
| 9 | 1 | 1826675 | R-NET COLOR JOYST MODULE LIGHTS-SW-POT PERMOBIL | |
| 9 | 1 | 1826676 | | |
| 9 | 1 | 1826677 | R-NET JSM L W/SPEED POT | |
| 9 | 1 | 1826766 | R-NET LED JOYSTICK MODULE WITH LIGHTS | |
| 10 | 1 | 1824344 | Charge sticker | |
| 11 | 1 | 1823297 | Knob, Joystick | |
| 12 | 1 | 1826820 | Cable panel | PLEASE CONTACT TECHNICAL SUPPORT FOR A.. |
| 13 | 1 | 1822821 | Cable PCB | |
| 14 | 1 | 1821535 | PCB ICS advanced seat control | |
| 15 | 1 | 1821382 | Electronics seat elevator | |
| 16 | 1 | 600225-99-0 | LOCK NUT M4 FZB * | |
| 17 | 1 | 1821382 | General Module | |
| 17 | 1 | 315930 | General module | |
| 18 | 1 | 305676-00-0 | Cable actu control | For softpot elevators, M400 HD |
| 18 | 1 | 306853-00-0 | Cable adaption seat elevator el.unit SLS v.2 | |
| 19 | 1 | 1823170 | Cable adapter seat elevator L=100mm | |
| 19 | 1 | 311415-99-0 | Cable adapter seat elevator L=500mm | For softpot elevators, M400 HD |
| 20 | 1 | 600136-00-0 | CABLE TIE SST1M 2.4x102 * | |
| 21 | 1 | 1827663 | Cable set seat elevator | |
| 21 | 1 | 1829776 | Cable set seat elevator | For Softpot elevators, M400 HD |
| 22 | 1 | 1825541 | Cable ICS split 60mm | |
| 23 | 1 | 1820532 | Web. belt battery | |
| 25 | 1 | 603073-99-0 | Battery 60 A gel low | |
| 26 | 1 | 1827459 | Cable clip Ø12,8mm | |



| Pos | Qty | Stock Code | Description | Remark |
|-----|-----|-------------|--|--|
| 1 | 1 | 1827467 | Light kit VR2 | |
| 2 | 1 | 1826762 | Cable light adapter VR2 | |
| 3 | 1 | 1822470 | Lighting module VR2 | |
| 4 | 1 | 1827465 | Hexagon spacer M4 7x10 Fe/Zn | |
| 5 | 1 | 1826693 | Light kit | Kit includes left and right headlights, front reflectors,... |
| 6 | 1 | 601353-99-0 | BOLT K6S 5x10 fzb * | |
| 7 | 1 | 320499 | Lights front right | |
| 8 | 1 | 320012 | Console front right | |
| 9 | 1 | 602690 | Screw ISO 4762 M3x8 Fe/Zn | |
| 10 | 1 | 1826961 | Lights led front | |
| 11 | 1 | 320013 | Console front left | |
| 12 | 1 | 320500 | Lights front left | |
| 13 | 1 | 1826963 | Reflector front led turn signal | |
| 14 | 1 | 1826966 | Lights rear led turn signal | |
| 15 | 1 | 1826965 | Lights rear | |
| 16 | 1 | 000000 | TO ORDER SEE POSITION #22 | |
| 16 | 1 | 320054 | Cover motor | |
| 17 | 1 | 600183-99-0 | BOLT MC6S 4x10 fzb * | |
| 18 | 1 | 000000 | TO ORDER SEE POSITION #22 | |
| 18 | 1 | 320055 | Cover brake release | |
| 19 | 1 | 601282-99-0 | BOLT MC6S 4x5 fzb ISO 7262 Fe/Zn | |
| 20 | 1 | 313858-99-0 | STICKER BRAKE RELEASE | |
| 21 | 1 | 1827479 | Sticker right brake release | |
| 22 | 1 | 1826698 | Brake release cover | |
| 23 | 1 | 1826967 | Cable clip Ø10mm | |
| 24 | 1 | 1826761 | Cable R-net | |
| 25 | 1 | 1827466 | Light kit R-net | |
| 26 | 1 | 1826504 | Cover rear | |
| 26 | 1 | 320041 | SEE PAGE TITLED "SHROUDS" FOR ORDERING INFORMATION | |

Spare Parts Catalog

CONTACT PERMOBIL:

Permobil AB

Box 120

861 23 Timrå

Sverige

Tel: 060-59 59 00

Fax: 060-57 52 50

E-post: info@permobil.se

Permobil Inc. USA

300 Duke Drive

Lebanon, TN 37090

USA

Phone: 800-736-0925

Fax: 800-231-3256

Email: info@permobilusa.com

Permobil AS

Industriveien 16

Postboks 60

1483 Hagan Norge

Tlf. 815 30 077

Fax. 815 33 655

E-post: firmapost@permobil.no

Permobil Benelux BV

De Beitel 11

6466 GZ Kerkrade

Nederland

Tel: +31 (0)45 564 54 80

Fax: +31 (0)45 564 54 81

Email: info@permobil.nl

When you order spare parts, the following must always be specified:

- The product model (for example, power wheelchair C300).
- The description of the part.
- always use the description used in this catalog.
- The entire part number.
- The quantity.

NB! In some cases, parts appear in the spare part catalog without a part number. This means that the part cannot be ordered from Permobil. We have, however, chosen to describe it for your information. Standard components such as screws, nuts, washers and similar parts can be purchased in an ordinary shop using the information in this catalog.

Description of Positioning list

The positioning list consist of:

A = Indicates the sparepart-group covered by the catalog.

B = Indicates part of the sparepart-group.

C = Under C there are five columns:

- 1 = Pos.no: Position number
- 2 = Pcs: Total number of given pos-no.
- 3 = Part no.: Part number
- 4 = Description: Article name
- 5 = Remark: Reserved for additional information such as reservations, restrictions etc.



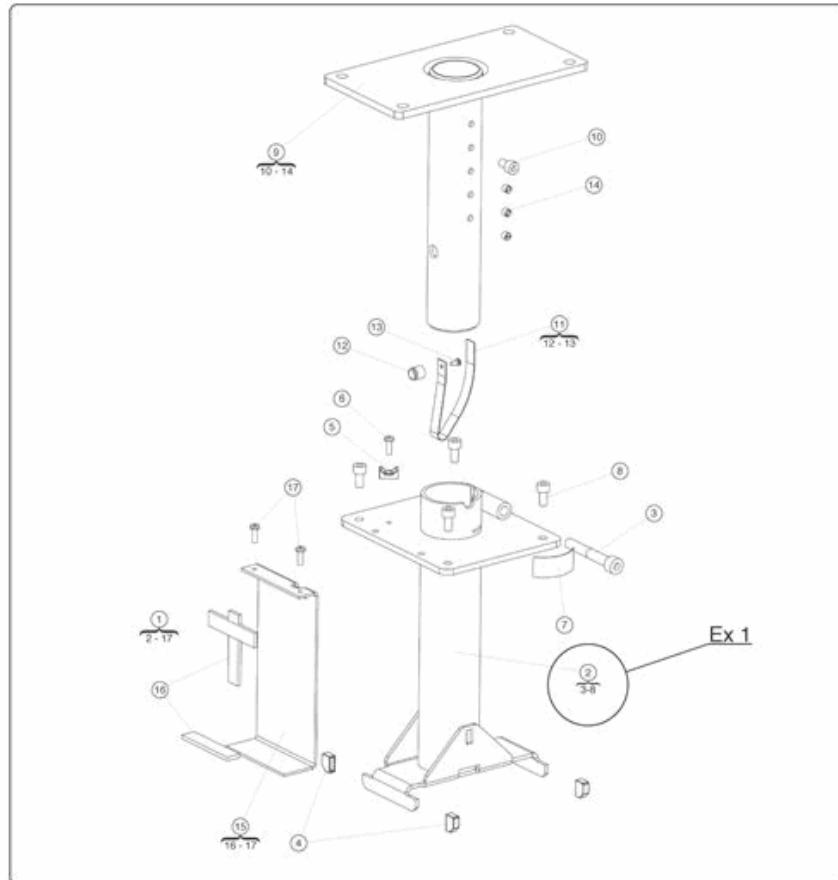
| 1 | 2 | 3 | 4 | 5 | |
|----------|----------|----------------|--------------------------|------------------------------|-------------|
| Pos no. | Pcs | Part no. | Description | Benämning | Remark/Anm. |
| 1 | 1 | 1820446 | Seat Tube | Sitsrör fast | |
| 1 | 1 | 1820418 | Seat Tube for tilt | Sitsrör fast för sitslutning | |
| 2 | 1 | | Outer tube | Ytterrör | |
| 3 | 1 | | Screw ISO 4762 M8x55 fzb | Skruv ISO 4762 M8x55 fzb | |
| 4 | 4 | 1820421 | Cap | Hätta | |
| 5 | 1 | | Cable Tie Holder 10x15 | Buntbandsfäste 10x15 | |
| 6 | 1 | | Screw ISO 7380 M4x6 fzb | Skruv ISO 7380 M4x6 fzb | |
| 7 | 1 | | Nut DIN 985 M4 fzb | Mutter DIN 985 M4 fzb | |
| 8 | 4 | | Screw ISO 4762 M6x10 fzb | Skruv ISO 4762 M6x10 fzb | |
| 9 | 1 | 1820422 | Inner tube | Innerrör | |
| 9 | 1 | 1820419 | Inner tube for tilt | Innerrör för tilt | |
| 10 | 1 | | Screw ISO 4762 M6x10 fzb | Skruv ISO 4762 M6x10 fzb | |
| 11 | 1 | | Bracket | Fjäder | |
| 12 | 1 | | Stop | Stång | |
| 13 | 1 | | Screw ISO 7380 M3x6 fzb | Skruv ISO 7380 M3x6 fzb | |
| 14 | 1 | | SLS Bracket | SLS fäste | |

Part

A part consists of one or more parts. If a part consists of several parts, a bracket in connection with the part's item bubble is used to show the parts included in the part in the exploded views. See example 1.

Quantity

The quantity specified in front of a part is the total quantity for the entire product.



Example 1:

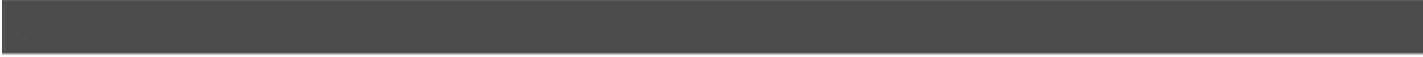
The fixed seat tube, pos 2, includes pos 3 to 8, that are indicated in the bracket below (see above).

Example 2:

If a outer tube, pos 2, is ordered, the quantity is 1. In other words, there is just one outer tube on the chassis. However, if you look at the number of parts included, the quantity may vary. For example, in pos 4, the complete outer tube comprises 4 parts.

Notes

A series of horizontal dashed lines for writing notes.



permobil
THE POWER OF MOBILITY