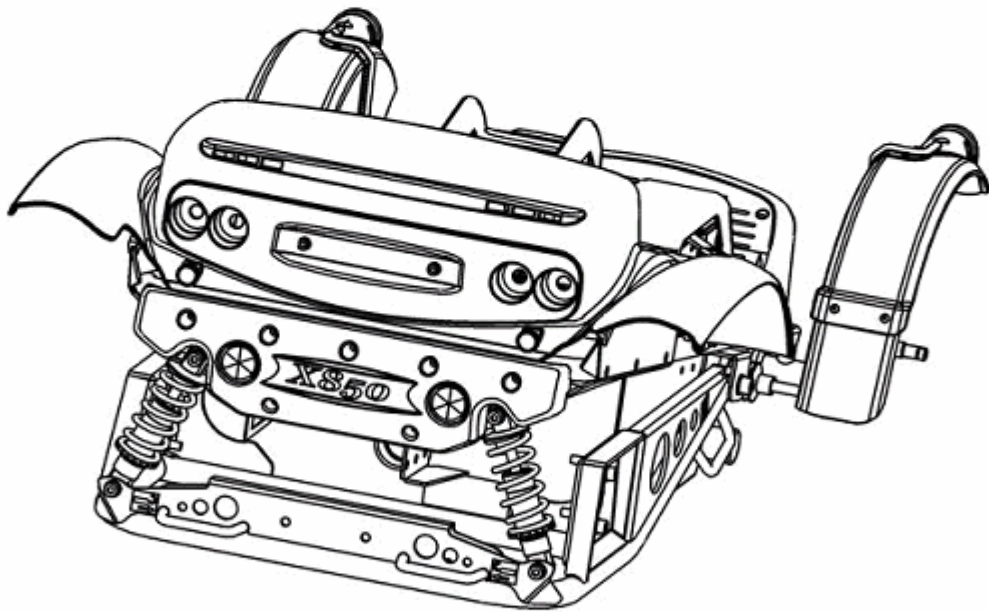


SPARE PART CATALOG

RESERVDELSKATALOG

# X850

Power Wheelchair  
Elektrisk rullstol





# X850

## Spare Part Catalog Reservdelskatalog

**Permobil AB**

Box 120  
861 23 Timrå  
Sverige

Tel: 060-59 59 00  
Fax: 060-57 52 50  
E-post: [info@permobil.se](mailto:info@permobil.se)

**Permobil Inc. USA**

6961 Eastgate Blvd.  
Lebanon, TN 37090  
USA

Phone: 800-736-0925  
Fax: 800-231-3256  
Email: [info@permobilusa.com](mailto:info@permobilusa.com)

**Permobil AS**

Hvamsvingen 22  
2013 Skjetten  
Norge

Tlf. 48 12 90 00  
Fax. 63 84 48 50  
E-post: [firmapost@permobil.no](mailto:firmapost@permobil.no)

**Permobil Europe BV**

De Doom 22  
NL-6419 CX Heerlen  
Netherlands

Tel: +31 (0)45 564 54 90  
Fax: +31 (0) 45 564 54 91  
Email: [europa@permobil.nl](mailto:europa@permobil.nl)

Produced and published by Permobil AB, Sweden

**Contents**

Front suspension

Chassis rear

Extender, manual

Extender, powerd

Seat tube fixed position

Seat elevator

Seat bracket

Seat swivel, manual

Seat swivel, electric

Covers

Driving unit and brake release

Electronics and cables

## **Innehåll**

Chassi, främre

Chassi, bakre

Längdjustering, manuell

Längdjustering, elektrisk

Sitsrör, fast

Sitslyft

Sitsplatta

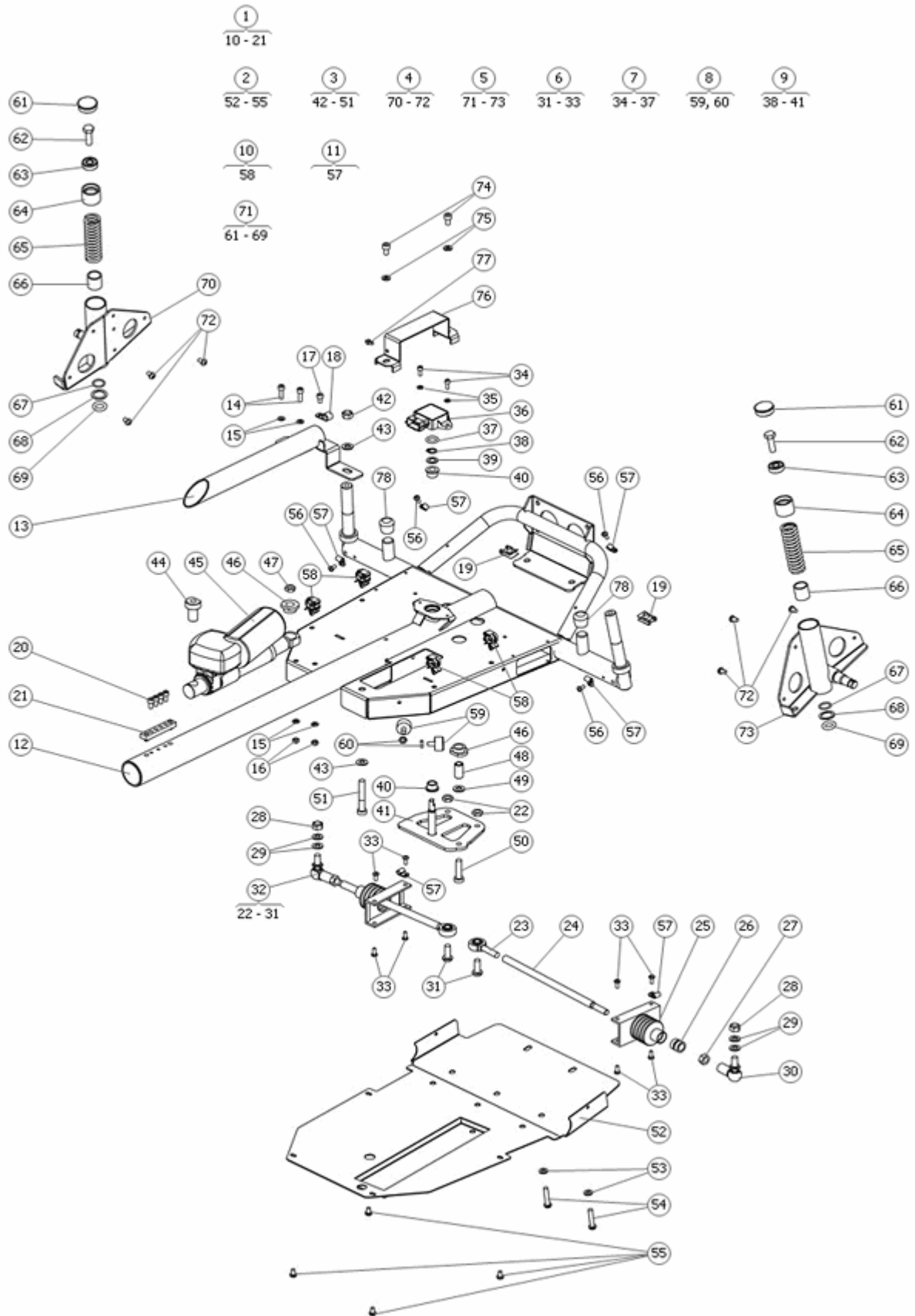
Sitsvridning, manuell

Sitsvridning, elektrisk

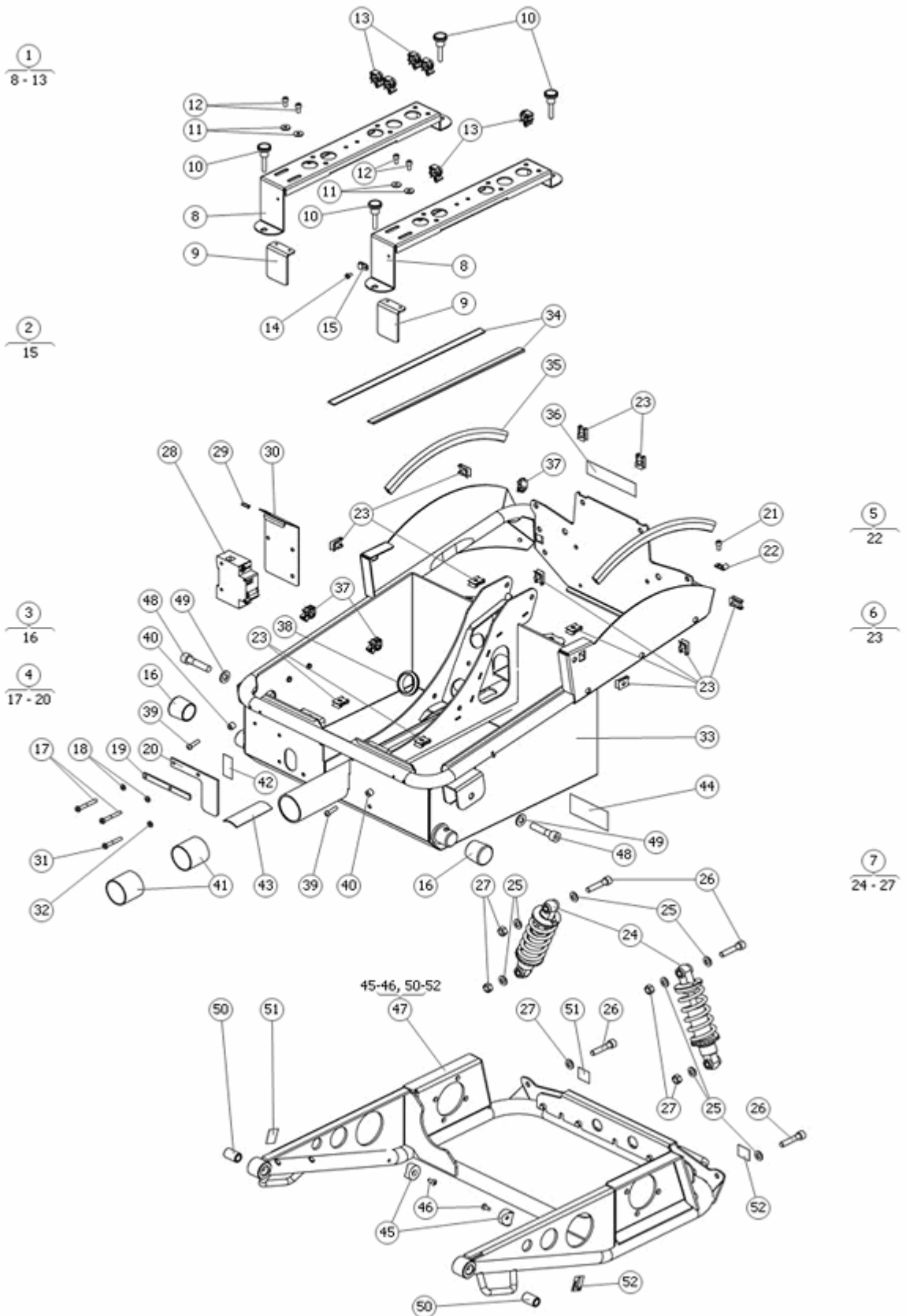
Kåpor

Drivpaket och bromsfrigöring

Elektronik och kablage

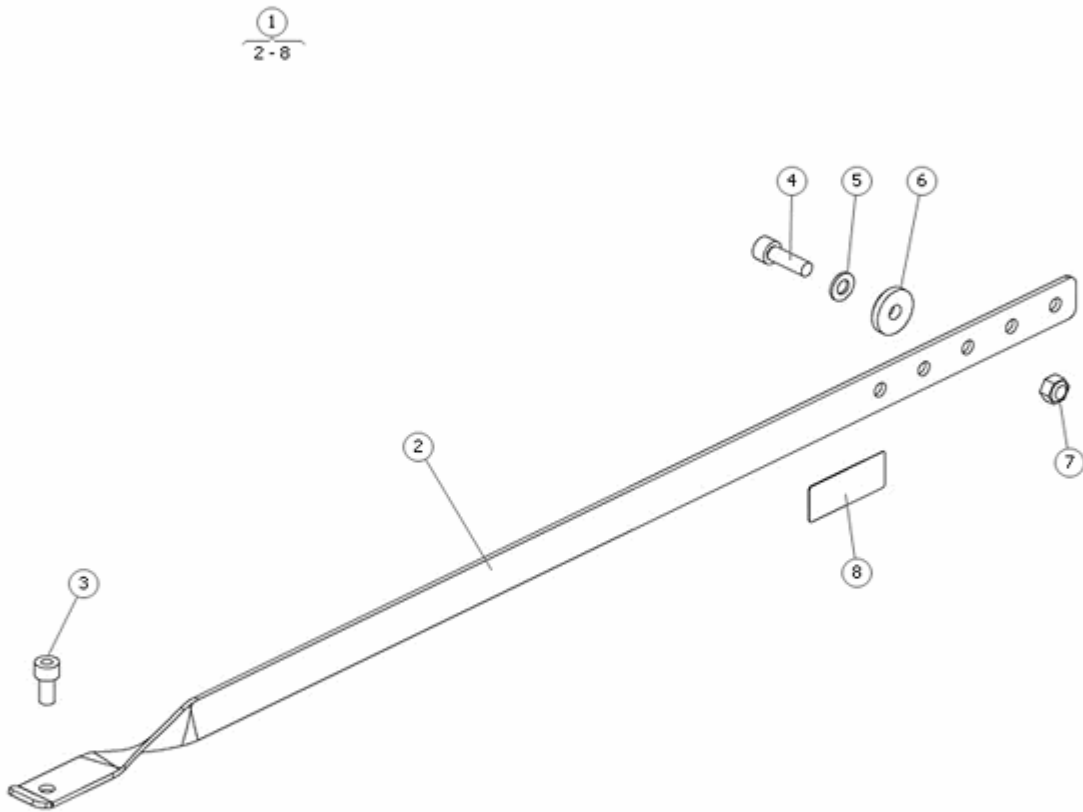


Pos	Qty	Stock Code	Description	Remark
1	1	1821948	FRAMVAGN X850	
2	1	1821426	FRAMVAGN PLAT INKL SKRUV	
3	1	1821421	S.DON SERVO X850	
4	1	1821427	STYRSPIDEL VÅNSTER X850	
5	1	1821428	STYRSPIDEL HÖGER X850	
6	1	1821419	LÄNKARM FRAMVAGN X850	
7	1	1821418	POT/FÄSTE STYRNING X850	
8	1	1821452	GUMMISTOPP STYRNING X850	
9	1	1821481	VINKELLÄNK FRAMVAGN X850	
10	1	1821422	KABELFÄSTESATS (4st) X850	
11	4	1821748	KABELFÄSTE 5mm	
12	1		FRONT SUSPENSION	
13	1		BRACKET	
14	2	601165-99-0	SKRUV MC6S 5x16 fzb	
15	4	600237-99-0	BR BRB 5.3x10x1 fzb STD	
16	2	600226-99-0	LÄSMUTTER M 5 fzb	
17	1	601126-99-0	SKRUV MC6S 5x 6 fzb	
18	1		CABLE CLIP	
19	2		CLIP NUT, M6	
20	4	600189-99-0	SKRUV MC6S 5x10 fzb	
21	1	307584-99-0	VRIDSTOPP FRAMVAGN TR	
22	2	600840-99-0	MUTTER ML6M 8 fzb	
23	2	600016-99-0	LÄNKST.HUVUD M 8 UTV GÄNG	
24	2		BAR	
25	1	308712-00-0	DAMASK FRAMVAGN TR, PERMO	
26	1		BUSH	
27	1	600233-99-0	MUTTER M6M 8 fzb	
28	1	600228-99-0	LÄSMUTTER M 8 fzb	
29	2	601427-99-0	BR BRB 8.4x15x1.6 fzb	
30	1	601415-99-0	VINKELLÄNK AS M8 fzb	
31	2	601340-99-0	SKRUV K6S 8x20 fzb	
32	1		BRACE	
33	8		SCREW, ISO 14583 M4x8 fzb	
34	2	600183-99-0	SKRUV MC6S 4x10 fzb	
35	2	601296-99-0	BR BRB 4.3x 9x0.8 fzb	
36	1		SENSOR ANGULAR POT	
37	1		RUBBER RING	
38	1	600271-99-0	SPARRING SgA 10	
39	1		SHIM WASHER, DIN 988 10x16x0.5	
40	2		SLIDE BEARING WITH FLANGE	
41	1		ANGLE LINK	
42	1	600228-99-0	LÄSMUTTER M 8 fzb	
43	2	600239-99-0	BR BRB 8.4x16x1.6 fzb	
44	1		ADAPTER	
45	1		ACTUATOR STEERING X850	
46	2		BUSH	
47	1	600840-99-0	MUTTER ML6M 8 fzb	
48	1		BUSH	
49	1	612531-99-0	BR DB 8x14x0.5 DIN 988 A2	
50	1	601450-99-0	SKRUV MLC6S 8x30 fzb	
51	1		SCREW, DIN 7984 M8x50 fzb	
52	1		PLATE	
53	2	600238-99-0	BR BRB 6.4x12x1.6 fzb	
54	2		SCREW, ISO 7380 M6x30 fzb	
55	4		SCREW, ISO 7045 M5x8 fzb	
56	4		SCREW, ISO 14583 M4x8 fzb	
57	6	1821748	KABELFÄSTE 5mm	
58	4		CABLE CLIP	
59	2	602639-99-0	GUMMIKUDDE MN60 3018055	
60	2		NUT, ISO 4035 M6 fzb	
61	2	602423-99-0	PLASTPL IKTP 28-26S	
62	2	601410-99-0	SKRUV M6S 8x 25 fzb	
63	2	600522-99-0	KULLAGER 608-2RS1	
64	2		BUSH	
65	2		SPRING	
66	2	602122-99-0	GLIDLÄGER 161820 A	
67	2		RUBBER RING	
68	2		SHIM WASHER, DIN 988 16x22x1	
69	2		RUBBER RING	
70	1		STEERING JOINT	
71	1	1821429	MONT.SATS STYRSPIDEL	
72	6		SCREW, ISO 7045 M5x8 fzb	
73	1		STEERING JOINT	
74	2	600888-99-0	SKRUV MC6S 6x 10 fzb	
75	2	600238-99-0	BR BRB 6.4x12x1.6 fzb	
76	1		BRACKET	
77	1		CABLE TIE, 3,5x150 BLACK	
78	2		PLASTIC KNOB	

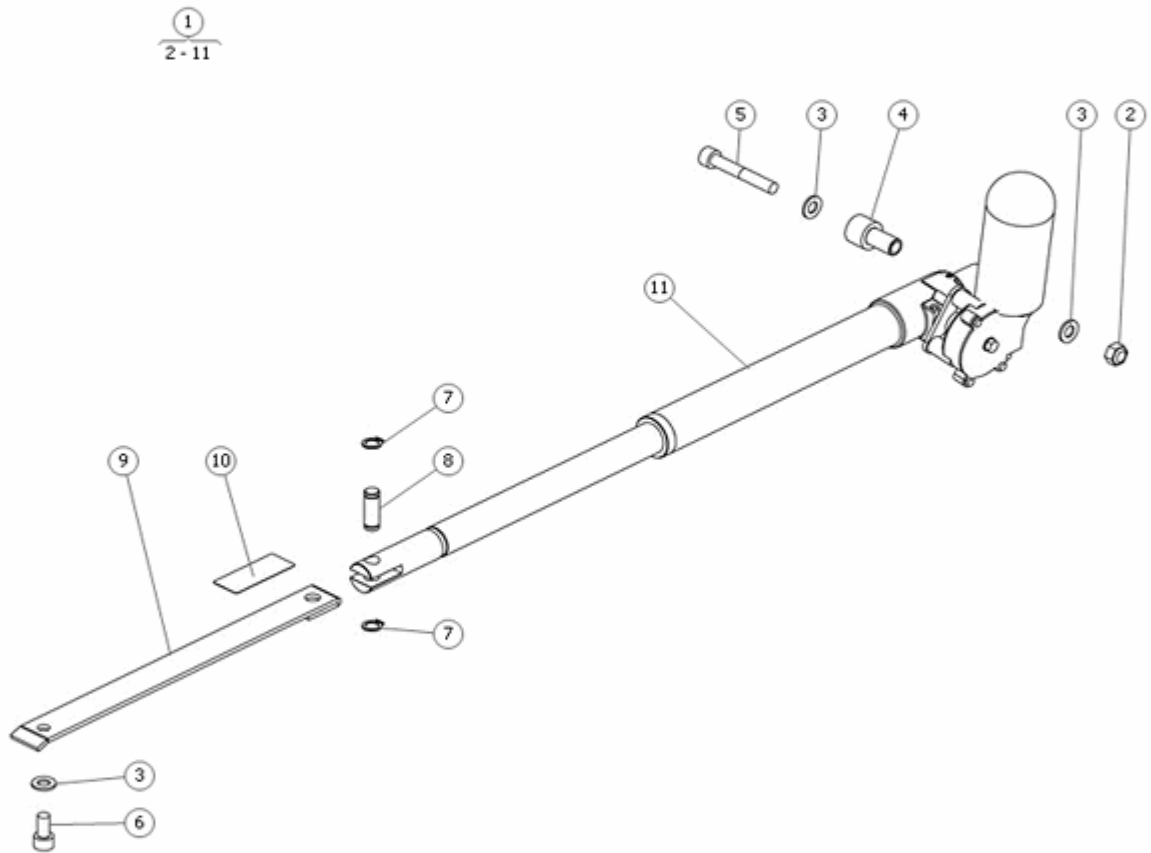




Pos	Qty	Stock Code	Description	Remark
1	2	1821409	BATTERI HÅLLARE X850	
2	1	1821748	KABELFÄSTE 5mm	
3	1	1821410	PLAST PLUG (par) FÄSTE	
4	1	1821408	GUMMISKYDD SÄKRINGSSATS	
5	1	1821754	KABELFÄSTE 6,4mm	
6	3	1821755	MUTTER M6 FJÄDER SATS	
7	1	1821413	STÖTDÄMPARE (par) X850	
8	2		BRACKET	
9	2		PLATE	
10	4		LOCK HANDLE	
11	4	601059-99-0	BR BRB 5.3x15x1.6 fzb	
12	4	600189-99-0	SKRUV MC6S 5x10 fzb	
13	6		CABLE CLIP	
14	1		HEXALOBULAR SOCKET PAN HEAD SCREW	
15	1	1821748	KABELFÄSTE 5mm	
16	1	1821410	PLAST PLUG (par) FÄSTE	
17	2	601706-99-0	SKRUV K6S 5x40 fzb	
18	2	600237-99-0	BR BRB 5.3x10x1 fzb STD	
19	1		BRACKET	
20	1		PROTECT	
21	1	600189-99-0	SKRUV MC6S 5x10 fzb	
22	1	1821754	KABELFÄSTE 6,4mm	
23	12		CLIP NUT	
24	2		SHOCK ABSORBER	
25	8	600239-99-0	BR BRB 8.4x16x1.6 fzb	
26	4	600274-99-0	SKRUV MC6S 8x 40 fzb	
27	4	600228-99-0	LÅSMUTTER M 8 fzb	
28	1	602386-99-0	SÄKRING AUTOMAT 100 A	
29	50		EDGE PROTECTION PROFILE	
30	1		FUSE	
31	1		SCREW ISO 7380 M5x35 Fe/Zn	
32	1	600237-99-0	BR BRB 5.3x10x1 fzb STD	
33	1		CHASSIE	
34	2		PROTECTION PROFILE	
35	2		EDGE MOULDING	
36	1		STICKER	
37	3		CABLE CLIP	
38	1		GROMMET	
39	2		HEXALOBULAR SOCKET PAN HEAD SCREW	
40	2		SPACER	
41	2	602420-99-0	GLIDLÅGER 404440A	
42	1		STICKER	
43	80		VELCRO TAPE	
44	1		STICKER	
45	2		SPACER	
46	2		BLIND RIVET	
47	1	1824563	RAM UNDRE X850	
48	2	600277-99-0	SKRUV MC6S 10x 45 fzb	
49	2	600241-99-0	BR BRB 10.5x20x2 fzb STD	
50	2		TUBE	
51	2	312871-99-1	DEKAL FÄSTKROK	
52	2	312872-99-2	DEKAL FÄSTKROK	

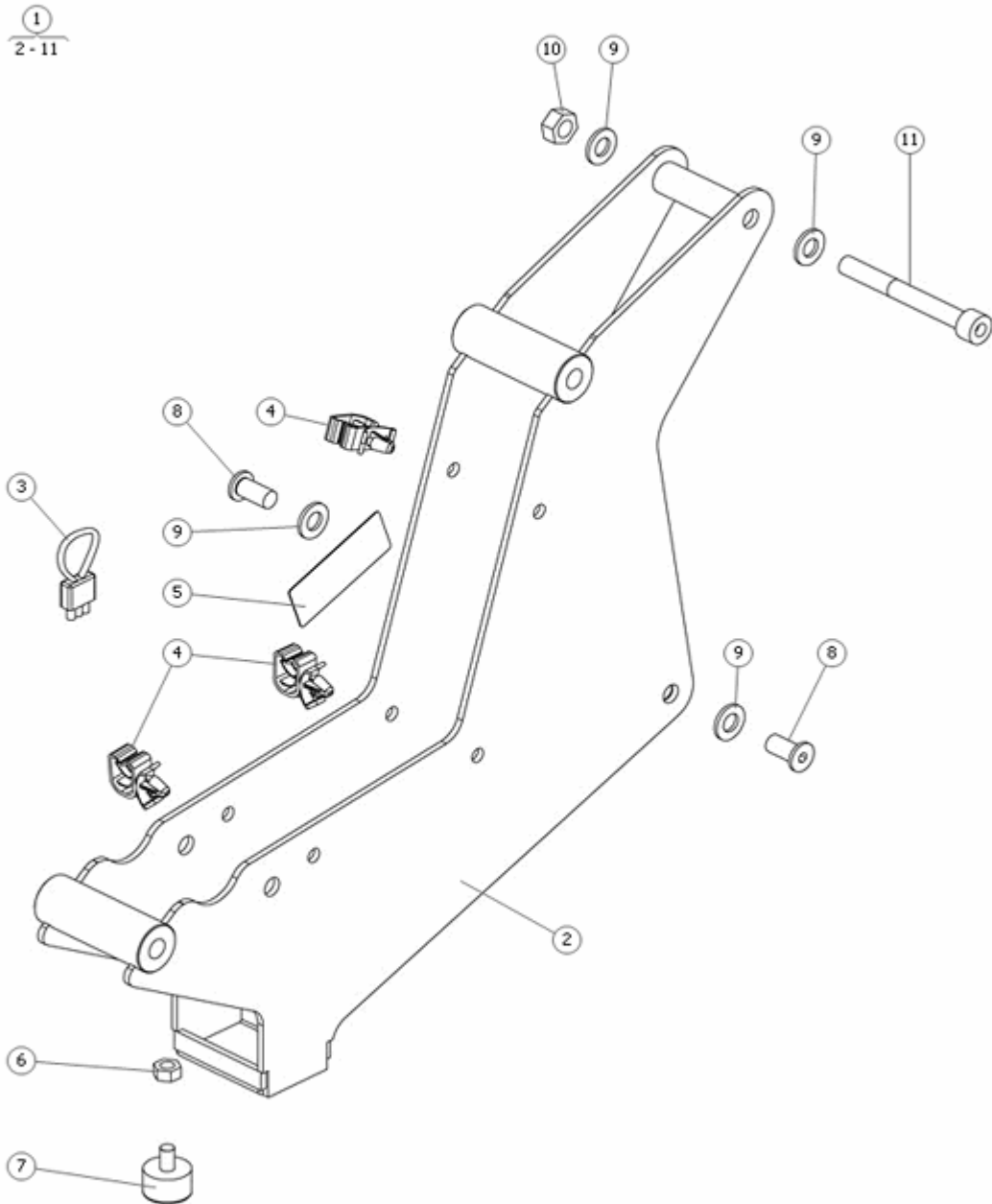


Pos	Qty	Stock Code	Description	Remark
1	1	1821440	LÄNGDJUST MAN X850	
2	1		BAR	
3	1	600590-99-0	SKRUV MC6S 8x 16 fzb	
4	1	600499-99-0	SKRUV MC6S 8x 25 fzb	
5	1	600239-99-0	BR BRB 8.4x16x1.6 fzb	
6	1	600771-99-0	BR TBRBS 8.4x26x5 fzb	
7	1	600228-99-0	LÄSMUTTER M 8 fzb	
8	1		STICKER	

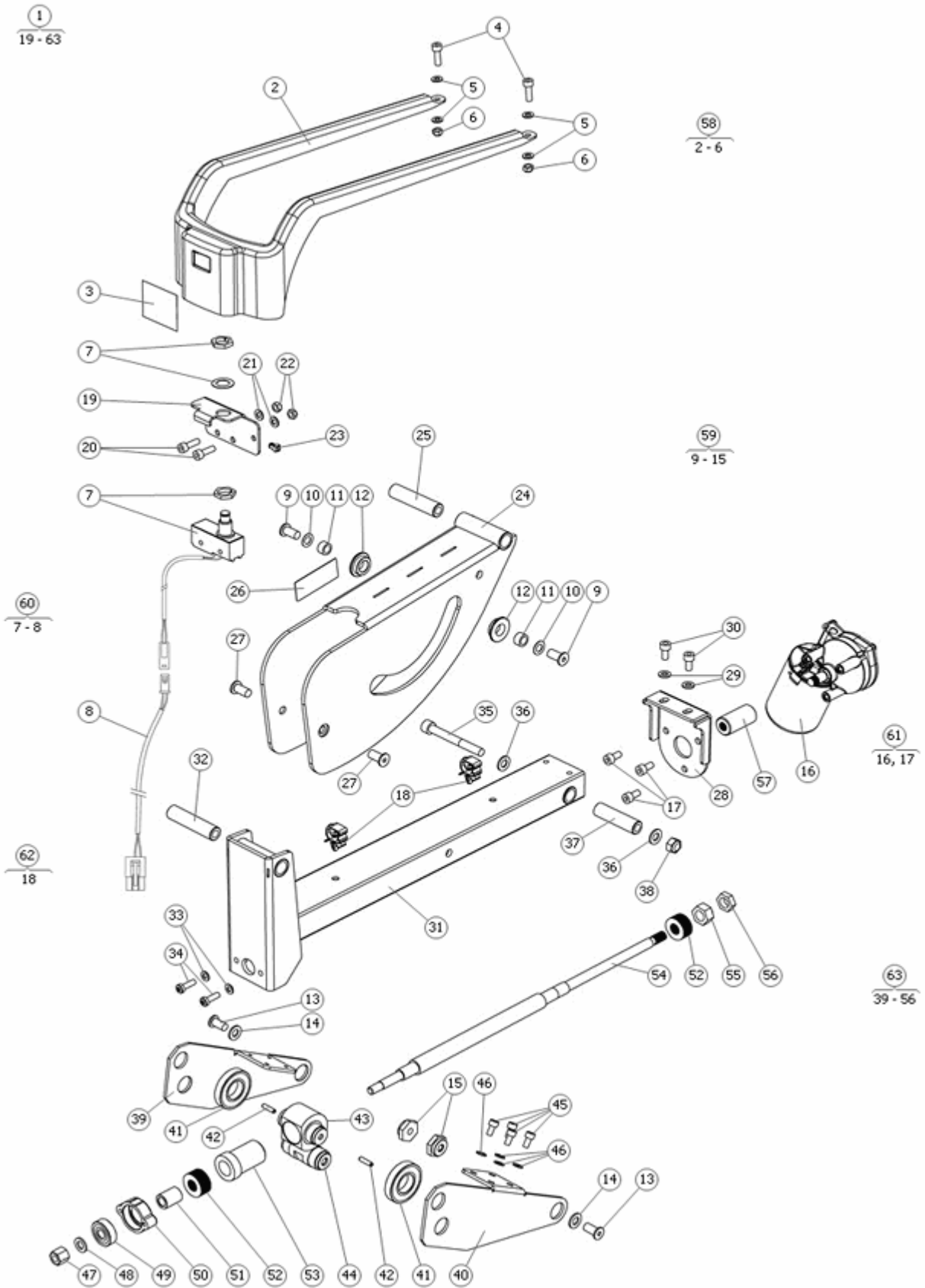


1  
2-11

Pos	Qty	Stock Code	Description	Remark
1	1	1821444	LÄNGDJUST EL X850	
2	1	600228-99-0	LÄSMUTTER M 8 fzb	
3	3	600239-99-0	BR BRB 8.4x16x1.6 fzb	
4	1		SOCKET	
5	1	601157-99-0	SKRUV MC6S 8x 55 fzb	
6	1	600590-99-0	SKRUV MC6S 8x 16 fzb	
7	2	600271-99-0	SPÄRRING SgA 10	
8	1		SHAFT	
9	1		BAR	
10	1		STICKER	
11	1		ACTUATOR EXTENDER	



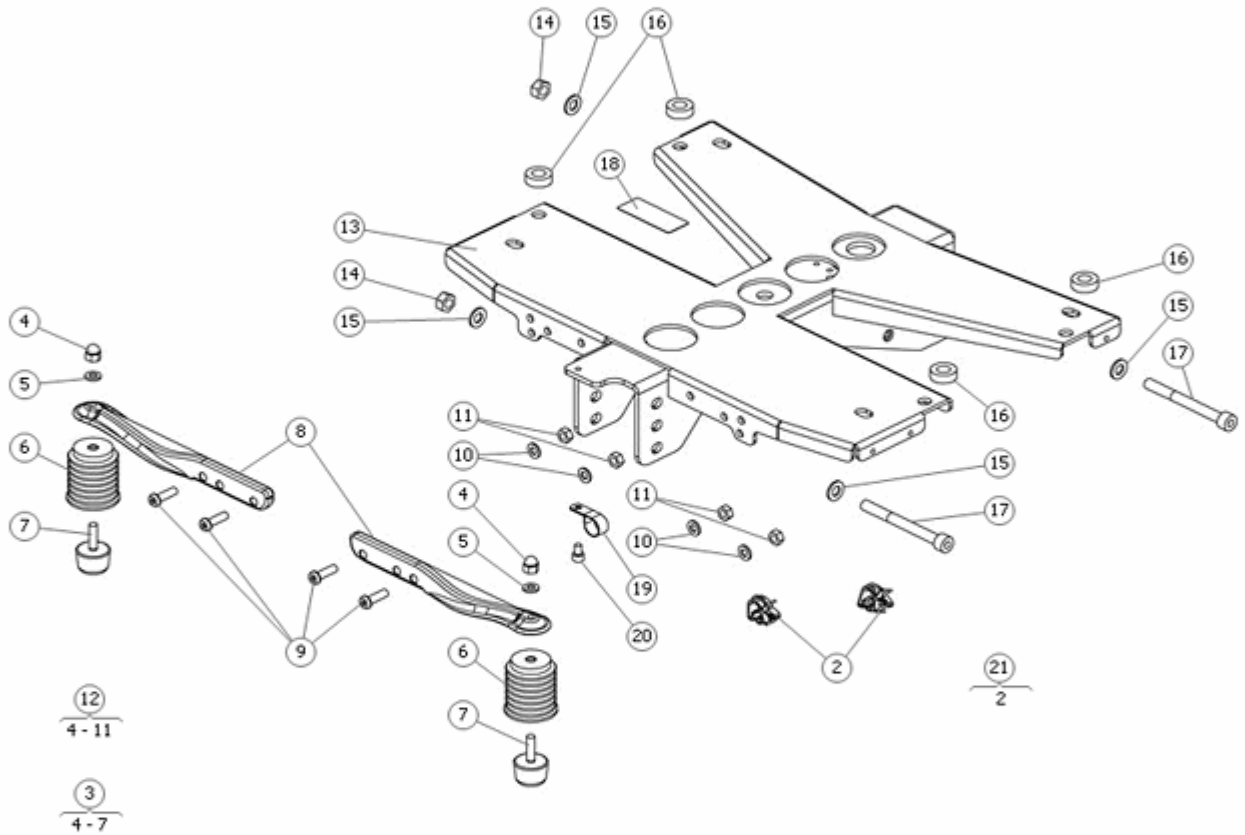
Pos	Qty	Stock Code	Description	Remark
1	1	1821472	SITSRÖR FAST X850	
2	1		SEATBRACKET	
3	1		CABLE	
4	1	1821422	KABELFÄSTESATS (4st) X850	
5	1		STICKER	
6	1	600232-99-0	MUTTER M6M 6 fzb	
7	1	602639-99-0	GUMMIKUDDE MN60 3018055	
7	1	602639-99-0	GUMMIKUDDE MN60 3018055	
8	2	602507-99-0	SKRUV MELC6S 10.9 M8x16	
9	4	600239-99-0	BR BRB 8.4x16x1.6 fzb	
10	1	600228-99-0	LÄSMUTTER M 8 fzb	
11	1	601701-99-0	SKRUV MC6S 8x 70 fzb	





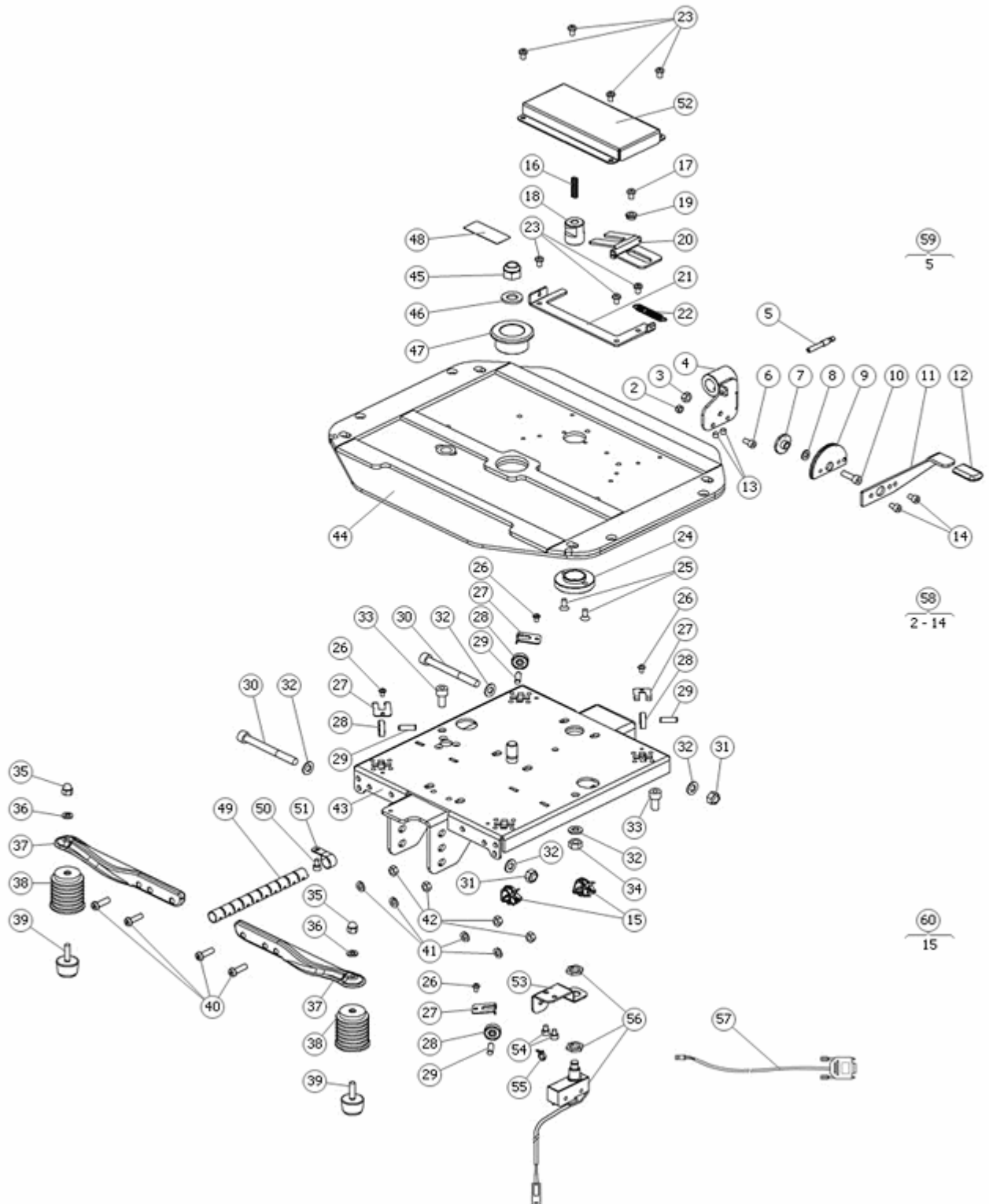
Pos	Qty	Stock Code	Description	Remark
1	1	1821463	SITSLYFT X850	
2	1		COVER	
3	1		STICKER	
4	2	601165-99-0	SKRUV MC6S 5x16 fzb	
5	4	600237-99-0	BR BRB 5.3x10x1 fzb STD	
6	2	600226-99-0	LASMUTTER M 5 fzb	
7	1		SWITCH AND CABLE	
8	1		CABLE	
9	2	602507-99-0	SKRUV MELC6S 10.9 M8x16	
10	2	612531-99-0	BR DB 8x14x0,5 DIN 988 A2	
11	2		SOCKET	
12	2		SPACER	
13	2	602507-99-0	SKRUV MELC6S 10.9 M8x16	
14	2	600239-99-0	BR BRB 8.4x16x1.6 fzb	
15	2		NUT	
16	1		MOTOR	
17	3	600192-99-0	SKRUV MC6S 6x 12 fzb	
18	2		CABLE CLIP	
19	1		PLATE	
20	2	601165-99-0	SKRUV MC6S 5x16 fzb	
21	2	600237-99-0	BR BRB 5.3x10x1 fzb STD	
22	2	600226-99-0	LASMUTTER M 5 fzb	
23	1		CABLE TIE, 3,5x150	
24	1		PLATE	
25	1		SPACER	
26	1		STICKER	
27	2	602507-99-0	SKRUV MELC6S 10.9 M8x16	
28	1		BRACKET	
29	2	600238-99-0	BR BRB 6.4x12x1.6 fzb	
30	2	600192-99-0	SKRUV MC6S 6x 12 fzb	
31	1		HINGE	
32	1		SPACER	
33	2	600237-99-0	BR BRB 5.3x10x1 fzb STD	
34	2		SCREW	
35	1	601701-99-0	SKRUV MC6S 8x 70 fzb	
36	2	600239-99-0	BR BRB 8.4x16x1.6 fzb	
37	1		SPACER	
38	1	600228-99-0	LASMUTTER M 8 fzb	
39	1		PLATE	
40	1		PLATE	
41	2		BALL BEARING	
42	2	601124-99-0	RÖRPINNE FRP 4x16	
43	1		NUT	
44	1		TUBE	
45	4	600189-99-0	SKRUV MC6S 5x10 fzb	
46	4	600237-99-0	BR BRB 5.3x10x1 fzb STD	
47	1		NUT, DIN 6330 A M8	
48	1	601427-99-0	BR BRB 8.4x15x1.6 fzb	
49	1	602479-99-0	KULLAGER 629-2RS1	
50	1		HOLDER	
51	1		SPACER	
52	28		DISC SPRING, DIN 2093 12,2x25x0,9	
53	1		NUT	
54	1		SCREW	
55	1		NUT, DIN 985 M12x1,25 fzb	
56	1		NUT, DIN 439 B M12x1,25 fzb	
57	1		SOCKET	
58	1	1821756	KLÄMSKYDD SITSLYFT X850	
59	1	1821757	SKRUVSATS SITSLYFT X850	
60	1	1821468	KABL SATS KLÄMSKYDD LYFT	
61	1	1821467	MOTOR SITSLYFT INKL SKRUV	
62	1	1821422	KABELFÄSTESATS (4st) X850	
63	1		SCREW	

1  
12-21

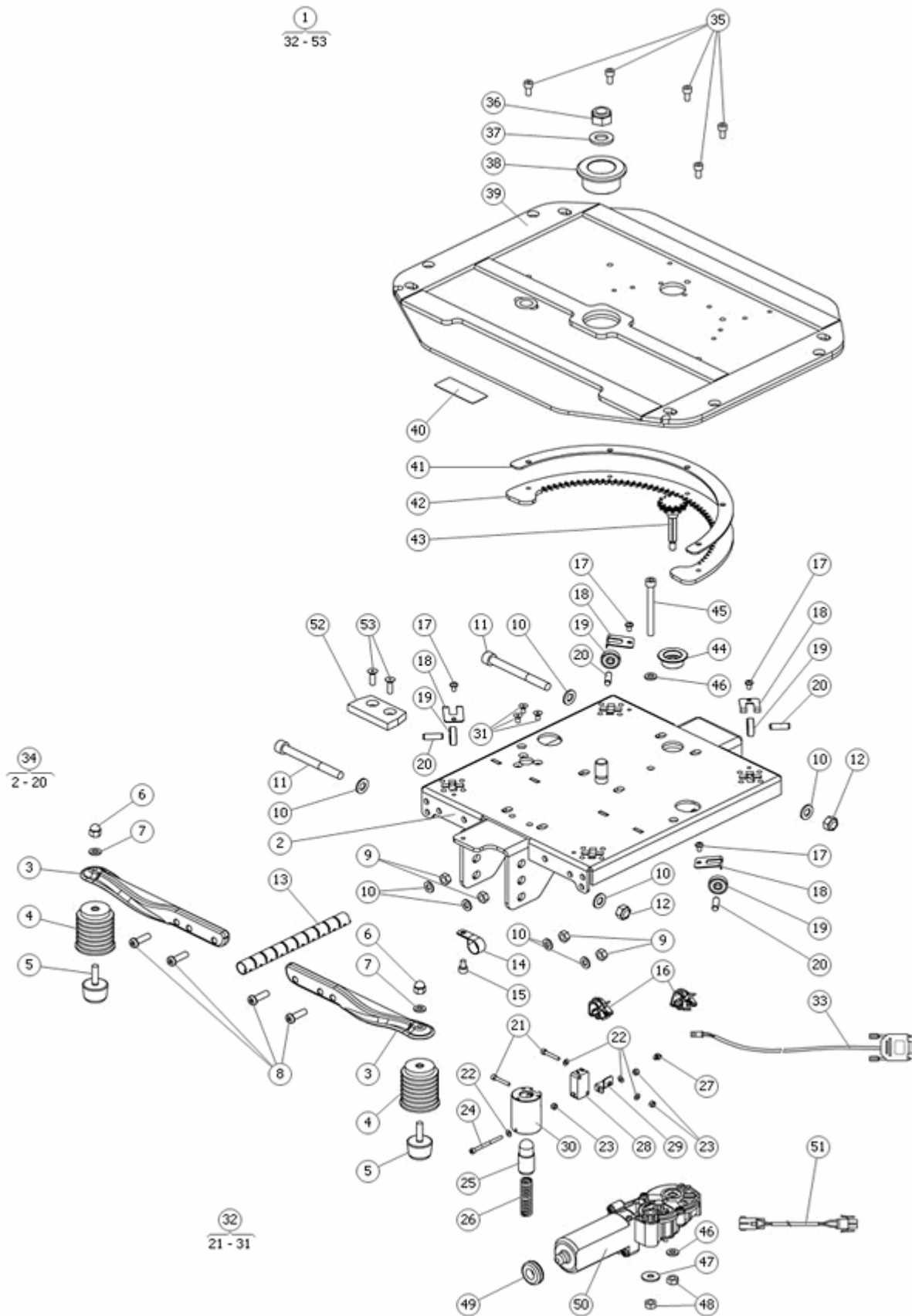


Pos	Qty	Stock Code	Description	Remark
1	1	1821492	SITSFÄSTE FAST SITS X850	
2	2		CABLE CLIP	
3	1	1821493	BÄLG KLÄMSKYDD SITSLYFT	
4	2		NUT, DIN 1587 M6 fzb	
5	2	600238-99-0	BR BRB 6.4x12x1.6 fzb	
6	2		BELLOW	
7	2		RUBBER BLOCK	
8	2		SEAT SUPPORT	
9	4	601370-99-0	SKRUV K6S 6x20 fzb	
10	4	600238-99-0	BR BRB 6.4x12x1.6 fzb	
11	4	600227-99-0	LÄSMJUTTER M 6 fzb	
12	1	1821494	SITS STOD X850	
13	1		SEATBRACKET	
14	2	600228-99-0	LÄSMJUTTER M 8 fzb	
15	4	600239-99-0	BR BRB 8.4x16x1.6 fzb	
16	4		SPACER	
17	0		SCREW, ISO 4762 M8x80 fzb	
18	1		STICKER	
19	1		CABLE CLIP	
20	1	600188-99-0	SKRUV MC6S 5x 8 fzb	
21	1	1821422	KABELFÄSTESATS (4st) X850	

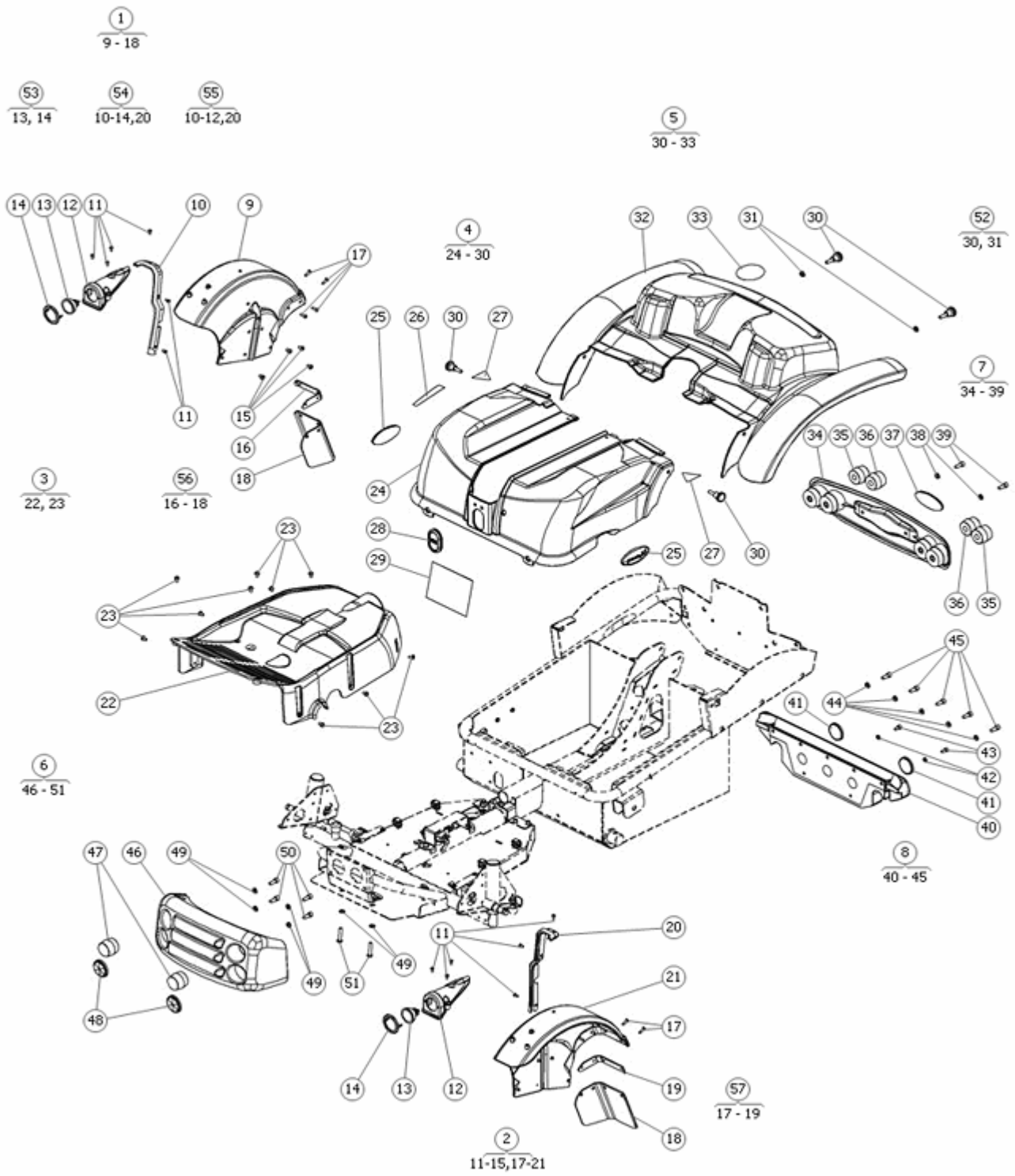
①  
16 - 60



Pos	Qty	Stock Code	Description	Remark
1	1	1821470	SITSVRIDN MAN X850	
2	1	600226-99-0	LÄSMUTTER M 5 fzb	
3	1	600227-99-0	LÄSMUTTER M 6 fzb	
4	1		HOLDER	
5	1		WIRE	
6	1	600189-99-0	SKRUV MC6S 5x10 fzb	
7	1		BUSH	
8	1	600238-99-0	BR BRB 6.4x12x1.6 fzb	
9	1		BRACKET	
10	1	600194-99-0	SKRUV MC6S 6x 20 fzb	
11	1		HANDLE	
12	1	601823-00-0	PLASTKN REKT 4x16x30	
13	2		HEXAGON SOCKET SET SCREW	
14	2	600188-99-0	SKRUV MC6S 5x 8 fzb	
15	2		CABLE CLIP	
16	1		SPRING	
17	1	600740-99-0	SKRUV K6S 5x 8 fzb	
18	1		SHAFT	
19	1		SPACER	
20	1		LOCK	
21	1		BRACKET	
22	1		SPRING	
23	7	600740-99-0	SKRUV K6S 5x 8 fzb	
24	1		BUSH	
25	2	601388-99-0	SKRUV MF6S 5x12 fzb	
26	4		HEXALOBULAR SOCKET PAN HEAD SCREW	
27	4	308887-99-0	HÄLLARE LAGER SITSVRIDN	
28	4	308896-99-0	KULLAGERSATS SITSVRIDN TR	
29	4		PARALLEL PIN	
30	2		HEXAGON SOCKET HEAD CAP SCREW	
31	2	600228-99-0	LÄSMUTTER M 8 fzb	
32	6	600239-99-0	BR BRB 8.4x16x1.6 fzb	
33	2	600590-99-0	SKRUV MC6S 8x 16 fzb	
34	2	600228-99-0	LÄSMUTTER M 8 fzb	
35	2		HEXAGON DOME NUT	
36	2	600238-99-0	BR BRB 6.4x12x1.6 fzb	
37	2		SEAT SUPPORT	
38	2		BELLOW	
39	2		RUBBER BLOCK	
40	4	601370-99-0	SKRUV K6S 6x20 fzb	
41	4	600238-99-0	BR BRB 6.4x12x1.6 fzb	
42	4	600227-99-0	LÄSMUTTER M 6 fzb	
43	1		BRACKET	
44	1		SEATBRACKET	
45	1	600688-99-0	LÄSMUTTER M12 fzb	
46	1	602780-99-0	BR BRB 24x13x2,5	
47	1		SOCKET	
48	1		STICKER	
49	1		CABLE PROTECTION	
50	1	600188-99-0	SKRUV MC6S 5x 8 fzb	
51	1		CABLE CLIP	
52	1		LID	
53	1		HOLDER	
54	2	601126-99-0	SKRUV MC6S 5x 6 fzb	
55	1	600136-00-0	BUNTBAND SST1M 2.4x102	
56	1	1821473	KABL SW SITSVRID. X850	
57	1	1821469	KABL/SWITCH SITSVRIDN	
58	1	1821471	LÄSSPAK SITSVRIDNING MAN	
59	1	1821719	WIRE SITSVRIDN MAN X850	
60	1	1821422	KABELFÄSTESATS (4st) X850	

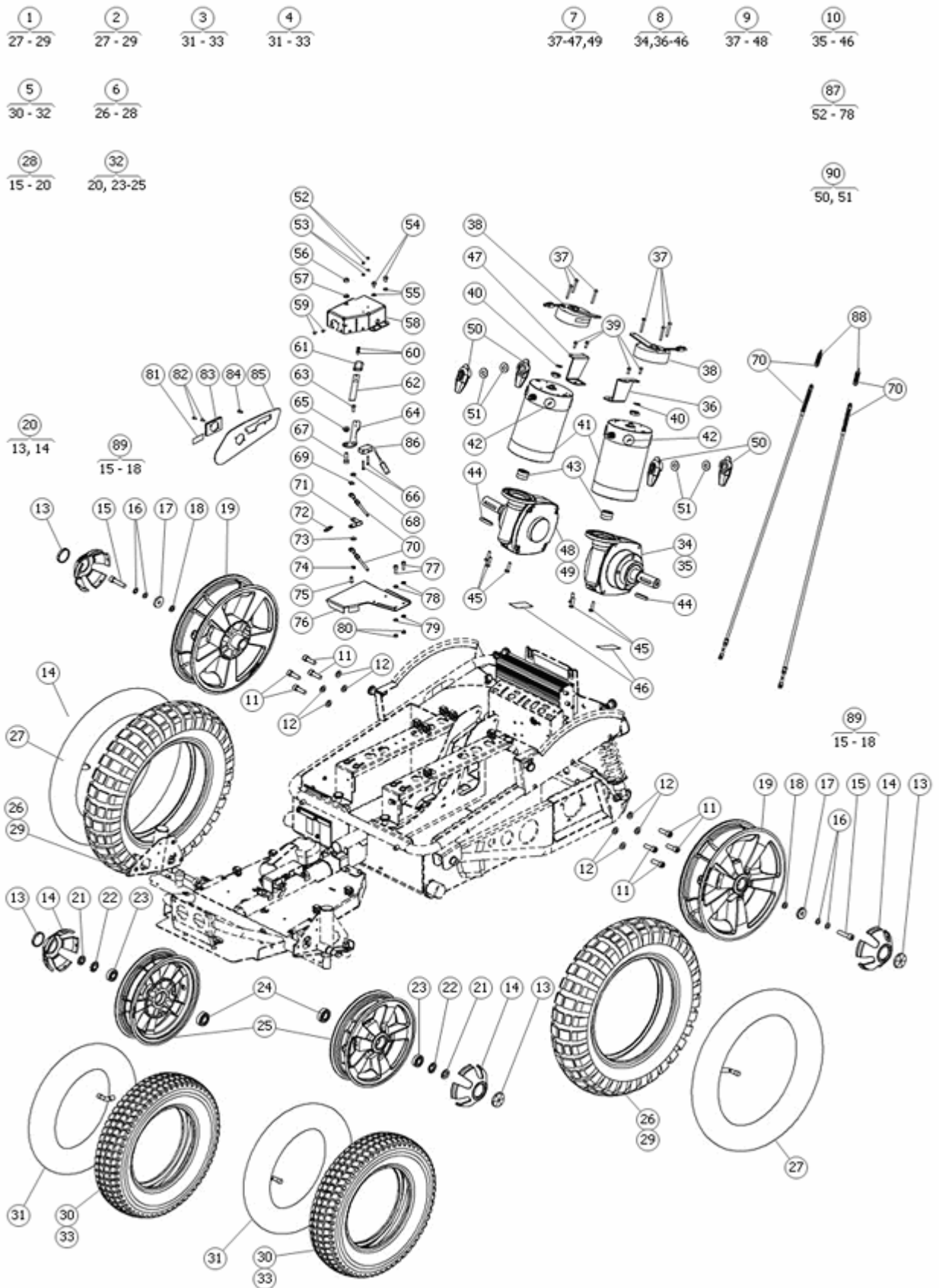


Pos	Qty	Stock Code	Description	Remark
1	1	1821476	SITSVRIDNING EL X850	
2	1		BRACKET	
3	2		SEAT SUPPORT	
4	2		BELLOW	
5	2		RUBBER BLOCK	
6	2		NUT, DIN 1587 M6 fzb	
7	2	600238-99-0	BR BRB 6.4x12x1.6 fzb	
8	4	601370-99-0	SKRUV K6S 6x20 fzb	
9	4	600227-99-0	LASMUTTER M 6 fzb	
10	8	600238-99-0	BR BRB 6.4x12x1.6 fzb	
11	2		SCREW, ISO 4762 M8x80 fzb	
12	2	600228-99-0	LASMUTTER M 8 fzb	
13	450		CABLE PROTECTION	
14	1		CABLE CLIP	
15	1	600188-99-0	SKRUV MC6S 5x 8 fzb	
16	2		CABLE CLIP	
17	4		SCREW, ISO 14583 M4x6 fzb	
18	4		HOLDER	
19	4		BALL BEARING	
20	4		PARALLEL PIN	
21	2		SCREW, ISO 4762 M3x20 fzb	
22	4		WASHER, DIN 125 3,2x7x0,5	
23	3	600578-99-0	LASMUTTER M 3 fzb	
24	1		SCREW, ISO 4762 M3x40 fzb	
25	1		PIN	
26	1		SPRING	
27	1	600136-00-0	BUNTBAND SST1M 2.4x102	
28	1	1821516	KABL SW SITSVRID.EL MITT	
29	1		HOLDER	
30	1		HOLDER	
31	3		SCREW, ISO 10642 M4x8 fzb	
32	1	1821474	LÄSNING SITSVRIDNING EL	
33	1	1821469	KABL/SWITCH SITSVRIDN	
34	1		SEAT SWIVEL	
35	5	600189-99-0	SKRUV MC6S 5x10 fzb	
36	1	600688-99-0	LASMUTTER M12 fzb	
37	1	602780-99-0	BR BRB 24x13x2,5	
38	1		SOCKET	
39	1		SEATBRACKET	
40	1		STICKER	
41	1		SPACER	
42	1		GEARING RING	
43	1	1821720	AXEL/KUGGDREV MOTOR SITSV-	
44	1		BUSH	
45	1		SCREW, ISO 4762 M6x60 fzb	
46	2	600238-99-0	BR BRB 6.4x12x1.6 fzb	
47	1		WASHER, ISO 7093-1 6,4x18x1,6 fzb	
48	2	600227-99-0	LASMUTTER M 6 fzb	
49	1		GROMMET	
50	1	1821389	MOTOR SITSVRIDNING X850	
51	1	1821475	KABL SITSVRIDNING X850	
52	1		STOP	
53	2		SCREW, ISO 10642 M5x16 fzb	



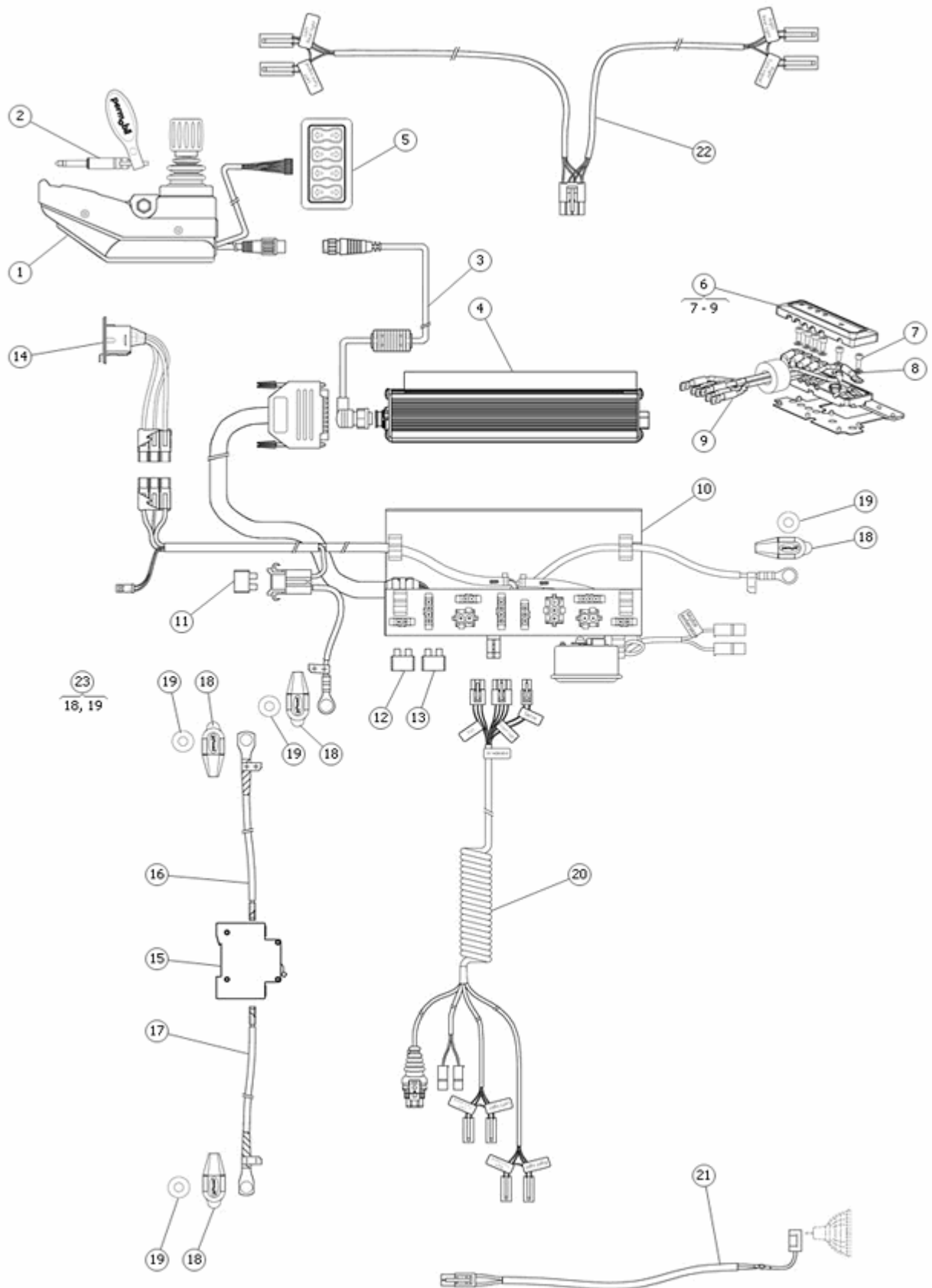


Pos	Qty	Stock Code	Description	Remark
1	1	1821736	FRAMSKÄRM HÖ M.RÖD X850	
1	1	1821737	FRAMSKÄRM HÖ M.BLA X850	
1	1	1821738	FRAMSKÄRM HÖ M.GRA X850	
2	1	1821733	FRAMSKÄRM VÅ M.RÖD X850	
2	1	1821734	FRAMSKÄRM VÅ M.BLA X850	
2	1	1821735	FRAMSKÄRM VÅ M.GRA X850	
3	1	1821424	FOTPLATTA X850	
4	1	1821730	KAPSATS FRAM MÖRKÖD X850	
4	1	1821731	KAPSATS FRAM MÖRKBLA X850	
4	1	1821732	KAPSATS FRAM MÖRKGRA X850	
5	1	1821727	KAPA BAK RÖD X850	
5	1	1821728	KAPA BAK M.BLA X850	
5	1	1821729	KAPA BAK M.GRA X850	
6	1	1821425	STÖTF FRAM INKL. REFLEX	
7	1	1821411	KAPA BAK INKL. BELYSN X850	
8	1	1821508	STOTFANGARE BAK X850	
9	1		COVER FRONT, RIGHT	
10	1		CLAMP, RIGHT	
11	12		SCREW, ISO 7049 3,5x8 fzb	
12	2		ADAPTER	
13	2		HALOGEN LAMP	
14	2		ADAPTER	
15	8		SCREW, ISO 7045 M5x8 fzb	
16	1		PLATE, RIGHT	
17	8		BLIND RIVET, 4,0x12,7	
18	2		MUD GUARD	
19	1		PLATE, LEFT	
20	1		CLAMP, LEFT	
21	1		COVER FRONT, LEFT	
22	1		FOOTPLATE	
23	10		SCREW, ISO 7045 M5x8 fzb	
24	1		COVER	
25	2	306200-99-0	DEKAL "PERMOBIL"	
26	1		STICKER	
27	2	313891-99-0	DEKAL SITSLU VARNING C4,	
28	1		LID	
29	1		STICKER	
30	4		LOCK HANDLE	
31	2		WASHER	
32	1		COVER	
33	1		STICKER	
34	1		COVER	
35	2		TURN SIGNAL	
36	2		LIGHTS REAR	
37	1	306200-99-0	DEKAL "PERMOBIL"	
38	2	600238-99-0	BR BRB 6.4x12x1.6 fzb	
39	2	600743-99-0	SKRUV MC6S 6x 16 fzb	
40	1		BUMPER	
41	2	1821057	REFLEX BAK Ø 40 RÖD	
42	2	600237-99-0	BR BRB 5.3x10x1 fzb STD	
43	2	600189-99-0	SKRUV MC6S 5x10 fzb	
44	5	600238-99-0	BR BRB 6.4x12x1.6 fzb	
45	5	600743-99-0	SKRUV MC6S 6x 16 fzb	
46	1		BUMPER	
47	2		TURN SIGNAL	
48	2	1820314	REFLEX FRAM VIT STR	
49	6	600238-99-0	BR BRB 6.4x12x1.6 fzb	
50	4	600743-99-0	SKRUV MC6S 6x 16 fzb	
51	2		SCREW, ISO 7380 M6x30 fzb	
52	1	1821415	SKRUVSATS KAPA X850	
53	1	1821741	GLÖDLAMPA INKL ADAPTER	
54	1	1825198	BELYSNING FRAM X850	Left or Right
55	1	1825197	KAPA BELYSNING FRAM X850	Left or Right
56	1	1821740	STÄNKSKYDD FRAM HÖ X850	
57	1	1821739	STÄNKSKYDD FRAM VÅ X850	



Pos	Qty	Stock Code	Description	Remark
1	1	1821766	HJUL 3.50x10 HIGHWAY BAK	
2	1	1821767	HJUL 3.50x10 HIGHWAY BAK	
3	1	1821768	HJUL 3.00x8 HIGHWAY FRAM	
4	1	1821769	HJUL 3.00x8 HIGHWAY FRAM	
5	1	1821763	HJUL 3.00-8 FRAM GROV	
6	1		WHEEL 3.50-10" COARSE PATTERN	
7	1	1821497	DRIVPAKET 21.5:1 HÖ X850	
8	1	1821498	DRIVPAKET 21.5:1 VÅ X850	
9	1	1821499	DRIVPAKET 29:1 HO 10km/h	
10	1	1821500	DRIVPAKET 29:1 VÅ 10km/h	
11	6	1824279	SKRUV M8x25 8.8 Fe/Zn 5 C	
12	6	600239-99-0	BR BRB 8.4x16x1.6 fzb	
13	1		REFLECTOR GLASS	
14	1		HUB CAP	
14	1	309052-99-0	NAVKAPSEL KO TR EN CH2k	
15	2	1821251	SKRUV MC6S 8x 35 fzb ESL	
16	4	612531-99-0	BR DB 8x14x0,5 DIN 988 A2	
17	2	612513-99-0	BR 8.4x26x5 HB 305 GUL	
18	2	1821250	BR 8,4x 15x 1,5 NYLON	
19	1	309049-19-0	FÄLG 10" BAK	
20	4	309052-99-0	NAVKAPSEL KO TR EN CH2k	HUBCAP WITH REFLECTOR
21	1		NUT, ISO 2982 M12	
21	1	900019-99-0	AXELMUTTER SKF KM1	
22	1		LOCK WASHER, ISO 2982 12x25x1	
22	1	900018-99-0	BR LÅSBR SKF MB1	
23	1	600037-99-0	KULLAGER 6001-2RS1	
24	1	600752-99-0	KULLAGER 6002-2RS1	
25	1		RIM	
26	1	602379-00-0	DÄCK 3.50-10 BAK GROVT	
27	1	602531-99-0	SLANG 3.50- 10" BAK GROVT	
28	1	310179-99-0	FÄLG 2.10-10" BAK TR	
29	1	1821764	DÄCK 3.00-10 FIN SVART	
30	1	1821762	DÄCK 3.00-8" FRAM X850	
31	1	600770-99-0	SLANG 3.00- 8 FRAM CH2k	
32	1	1821761	RIM 1.50-8" FRONT X850	
32	1	310482-99-0	FÄLG 1.50- 8" FRAM TR	
33	1	1821765	DÄCK 3.00-8 FIN SVART	
34	1		GEAR BOX	
35	1		GEAR BOX	
36	1		BRACKET	
37	3		SCREW, ISO 14583 M4x30 fzb	
38	2	1821760	MAGNETBROMS WARNER	
39	4	1823551	SKRUV M4x12 4.8 ISO 14583	
40	2	600271-99-0	SPARRING SgA 10	
41	2		MOTOR	
42	4	1822317	KOLSATS DRIVMOT X850	
43	2		COUPLING	
44	1	601194-99-0	KIL RK 6x 6x36 DRIVAXEL	
45	6		SCREW, ISO 14583 M5x20 fzb	
46	1		STICKER	
47	1		BRACKET	
48	1		GEAR BOX	
49	1		GEAR BOX	
50	2		PROTECT POLE +/-	
51	2		WASHER	
52	2	600578-99-0	LÅSMUTTER M 3 fzb	
53	2	601202-99-0	BR BRB 3.2x 7x0.5 fzb	
54	2	601161-99-0	SKRUV M6S 5x 10 fzb	
55	2	600237-99-0	BR BRB 5.3x10x1 fzb STD	
56	1	600227-99-0	LÅSMUTTER M 6 fzb	
57	1	600238-99-0	BR BRB 6.4x12x1.6 fzb	
58	1		PLATE	
59	2	602192-99-0	SKRUV MFX-Z 3x6 fzb/a	
60	2	601366-99-0	SKRUV K6S 4x 6 fzb	
61	1	601823-00-0	PLASTKN REKT 4x16x30	
62	1		SPRING	
63	1		SCREW, DIN 7991 M5x14 fzb	
64	1		HANDLE	
65	1		BUSH	
66	2		HEXAGON HEAD SCREW	
67	1	600194-99-0	SKRUV MC6S 6x 20 fzb	
68	1		BUSH	
69	1	603083-99-0	LÅSBYGEL	
70	1	1820267	WIRE 680 BROMSFRIG STR	
71	1		LINK	
72	1		SPRING	
73	1	600842-99-0	BR BRB 5.3x12x1 fzb	
74	1	600226-99-0	LÅSMUTTER M 5 fzb	
75	1		COTTER	
76	1		BRACKET	
77	2	600190-99-0	SKRUV MC6S 5x14 fzb	
78	2	600237-99-0	BR BRB 5.3x10x1 fzb STD	
79	2	600237-99-0	BR BRB 5.3x10x1 fzb STD	

Pos	Qty	Stock Code	Description	Remark
80	2	600614-99-0	MUTTER M6M 5 fzb	
81	1		STICKER	
82	2		SCREW, ISO 7046-1 M3x8 fzb	
83	1		PROTECTION COVER	
83	1	1824407	SKYDDSKAPA LADDUTTAG	REKTANGULAR LID WITH BOLTS AND NUTS
84	1		SCREW, ISO 14583 M4x8 fzb	
85	1		PLATE PROTECT	
86	1	1821513	KABL SW BROMSFRIG X850	
87	1	1820266	BROMSFRIG STR	
88	1	602107-99-0	FJÄDER 1.2x 8x 30	
89	2	1821665	SKRUVSATS DRIVHJUL LANG	
90	1	1821416	POLSKYDDSATS	Incl 4 units



Pos	Qty	Stock Code	Description	Remark
1	1	1821496	M.PANEL INKL KABL X850	
2	1		KEY JOYSTICK	
3	1	311197-00-0	KABL ELEKTRONIK-PANEL	
4	1	1821753	ELEKTRONIK SAFEGATE X850	
4	1	1822590	ELEKTRONIK (utb) X850	Exchange
5	1	307547-00-0	KNAPPLADA DIII TR	
6	1	1821517	KABL ELEKTRONIK-MOTOR/BAT	
7	6	600169-99-0	SKRUV MC6S 5x12 fzb	
8	6	600237-99-0	BR BRB 5.3x10x1 fzb STD	
9	1		CABLES & FERRIT	
10	1	1821512	KONTAKTBOX ELEKTRONIK	
11	1		FUSE 20A, ATO	
12	1	601089-99-0	SÄKRING STICK 15 A	
13	1		FUSE 7.5 A, ATO	
14	1	311060-00-0	LADDKONTAKT XLR	
15	1	602396-99-0	SÄKRING AUTOMAT 100 A	
16	1		CABLE MAIN FUSE, POSITIVE	
17	1		CABLE MAIN FUSE, NEGATIVE	
18	4		PROTECT, POLE +/-	
19	4		WASHER	
20	1	1821417	KABL SERVO/LYSE FRAM X850	
21	2	1821770	KABL BELYSN FRAM X850	
22	1	1821518	KABL BELYSN BAK/BLINKERS	
23	1	1821416	POLSKYDDSATS	

When you order spare parts, the following must always be specified:

- The product model (for example, power wheelchair C300).
- The description of the part.  
- always use the description used in this catalog.
- The entire part number.
- The quantity.

**NB!** In some cases, parts appear in the spare part catalog without a part number. This means that the part cannot be ordered from Permobil. We have, however, chosen to describe it for your information. Standard components such as screws, nuts, washers and similar parts can be purchased in an ordinary shop using the information in this catalog.

### Description of Positioning list

The positioning list consist of:

**A** = Indicates the sparepart-group covered by the catalog.

**B** = Indicates part of the sparepart-group.

**C** = Under C there are five columns:

- 1** = Pos.no: Position number
- 2** = Pcs: Total number of given pos-no.
- 3** = Part no.: Part number
- 4** = Description: Article name
- 5** = Remark: Reserved for additional information such as reservations, restrictions etc.



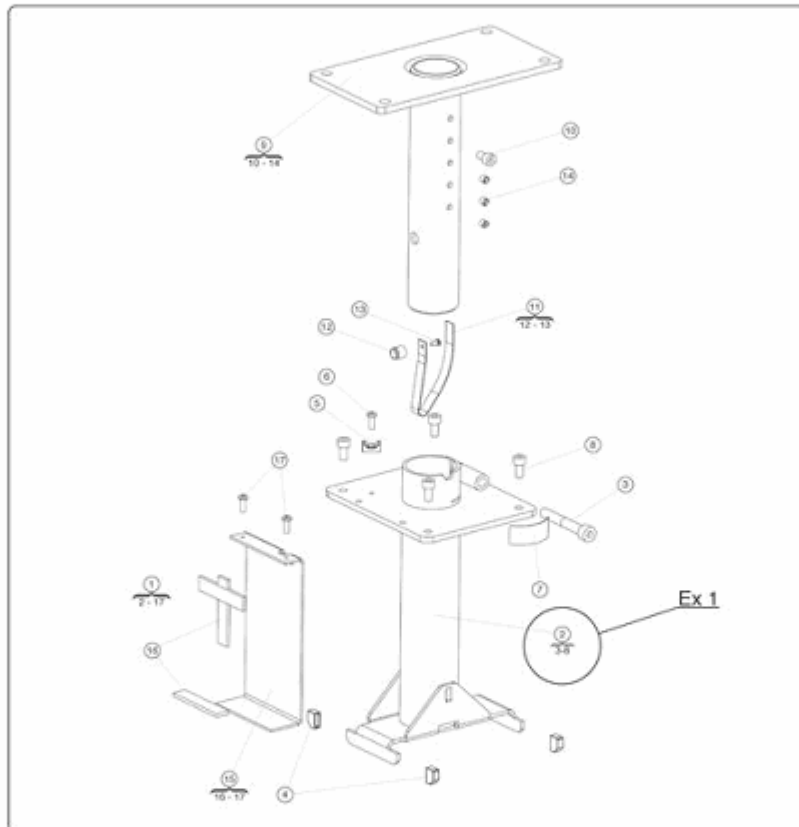
① Pos no.	② Pcs	③ Part no.	④ Description	⑤ Benämning	Remark/Anm.
1	1	1820446	Seat Tube	Sitsrör fast	
1	1	1820418	Seat Tube for tilt	Sitsrör fast för sitslutning	
<b>2</b>	<b>1</b>		<b>Outer tube</b>	<b>Ytterrör</b>	
3	1		Screw ISO 4762 M8x55 fzb	Skruv ISO 4762 M8x55 fzb	
<b>4</b>	<b>4</b>	<b>1820421</b>	<b>Cap</b>	<b>Hätta</b>	
5	1		Cable Tie Holder 10x15	Buntbandsfäste 10x15	
6	1		Screw ISO 7380 M4x6 fzb	Skruv ISO 7380 M4x6 fzb	
7	1		Nut DIN 985 M4 fzb	Mutter DIN 985 M4 fzb	
8	4		Screw ISO 4762 M6x10 fzb	Skruv ISO 4762 M6x10 fzb	
9	1	1820422	Inner tube	Innerrör	
9	1	1820419	Inner tube for tilt	Innerrör för tilt	
10	1		Screw ISO 4762 M6x10 fzb	Skruv ISO 4762 M6x10 fzb	
11	1		Bracket	Fjäder	
12	1		Stop	Stång	
13	1		Screw ISO 7380 M3x6 fzb	Skruv ISO 7380 M3x6 fzb	
14	1		SLS Bracket	SLS fäste	

**Part**

A part consists of one or more parts. If a part consists of several parts, a bracket in connection with the part's item bubble is used to show the parts included in the part in the exploded views. See example 1.

**Quantity**

The quantity specified in front of a part is the total quantity for the entire product.

**Example 1:**

The fixed seat tube, pos 2, includes pos 3 to 8, that are indicated in the bracket below (see above).

**Example 2:**

If a outer tube, pos 2, is ordered, the quantity is 1. In other words, there is just one outer tube on the chassis. However, if you look at the number of parts included, the quantity may vary. For example, in pos 4, the complete outer tube comprises 4 parts.



Vid beställning av reservdelar skall följande alltid anges:

- Produktmodell (ex.vis elrullstol C300).
- Artikelns benämning.  
- använd samma benämning som i denna reservdelskatalog vid beställning.
- Hela artikelnumret.
- Antal.

**OBS!** I reservdelskatalogen förekommer i vissa fall detaljer utan angivet artikelnr. Det innebär att detaljen inte går att beställa från Remobil, men vi har ändå valt att beskriva dem för din information. Standardkomponenter så som skruv, mutter, bricka och liknande detaljer kan införskaffas i den ordinarie detaljhandeln med hjälp av informationen i denna katalog.

## Beskrivning av positionslistor

Positionslistan består av:

A = Visar vilken produkt katalogen beskriver.

B = Visar vilken del av produkten som visas på aktuell sida.

C = Under C finns fem kolumner:

- 1 = Pos.no: Positionsnummer
- 2 = Pcs: Antal detaljer som ingår i aktuellt pos.nummer
- 3 = Part no.: Artikelnummer
- 4 = Benämning: Artikelns benämning (svensk och engelsk benämning)
- 5 = Anmärkning: Plats för ev. tilläggsinformation, förbehåll etc.



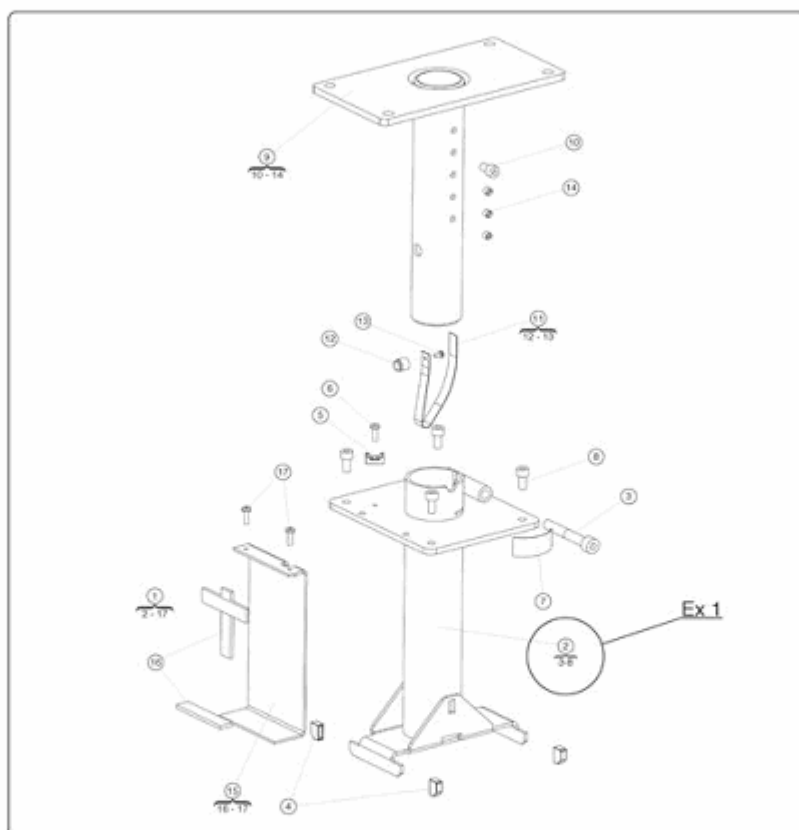
Pos no.	Pcs	Part no.	Description	Benämning	Remark/Anm.
1	1	1820446	Seat Tube	Sitsrör fast	
1	1	1820418	Seat Tube for tilt	Sitsrör fast för sitslutning	
<b>2</b>	<b>1</b>		<b>Outer tube</b>	<b>Ytterrör</b>	
3	1		Screw ISO 4762 M8x55 fzb	Skruv ISO 4762 M8x55 fzb	
<b>4</b>	<b>4</b>	<b>1820421</b>	<b>Cap</b>	<b>Hätta</b>	
5	1		Cable Tie Holder 10x15	Buntbandsfäste 10x15	
6	1		Screw ISO 7380 M4x6 fzb	Skruv ISO 7380 M4x6 fzb	
7	1		Nut DIN 985 M4 fzb	Mutter DIN 985 M4 fzb	
8	4		Screw ISO 4762 M6x10 fzb	Skruv ISO 4762 M6x10 fzb	
9	1	1820422	Inner tube	Innerrör	
9	1	1820419	Inner tube for tilt	Innerrör för tilt	
10	1		Screw ISO 4762 M6x10 fzb	Skruv ISO 4762 M6x10 fzb	
11	1		Bracket	Fjäder	
12	1		Stop	Stång	
13	1		Screw ISO 7380 M3x6 fzb	Skruv ISO 7380 M3x6 fzb	
14	1		SLS Bracket	SLS fäste	

**Artikel**

En artikel består av en eller flera detaljer. Om en artikel består av flera detaljer är det markerat i sprängskisserna med ett klamer i anslutning till artikelns posubbla där det står vilka detaljer som ingår i artikeln. se Ex 1.

**Antal**

Det angivna antalet framför en artikel är det sammanlagda antalet för hela produkten.

**Ex 1:**

I fast sitsrör Pos. 2, ingår poserna 3till 8 som står i klamret under. (se ovan)

**Ex 2:**

Beställs ett Ytterrör, pos. 2, så står det att antalet är 1. Det finns med andra ord bara ett ytterrör på chassit. Men om man tittar på antalet i ingående detaljer, så kan antalet variera, i tex. pos 4 är det 4 st för att ytterröret ska vara komplett.









