

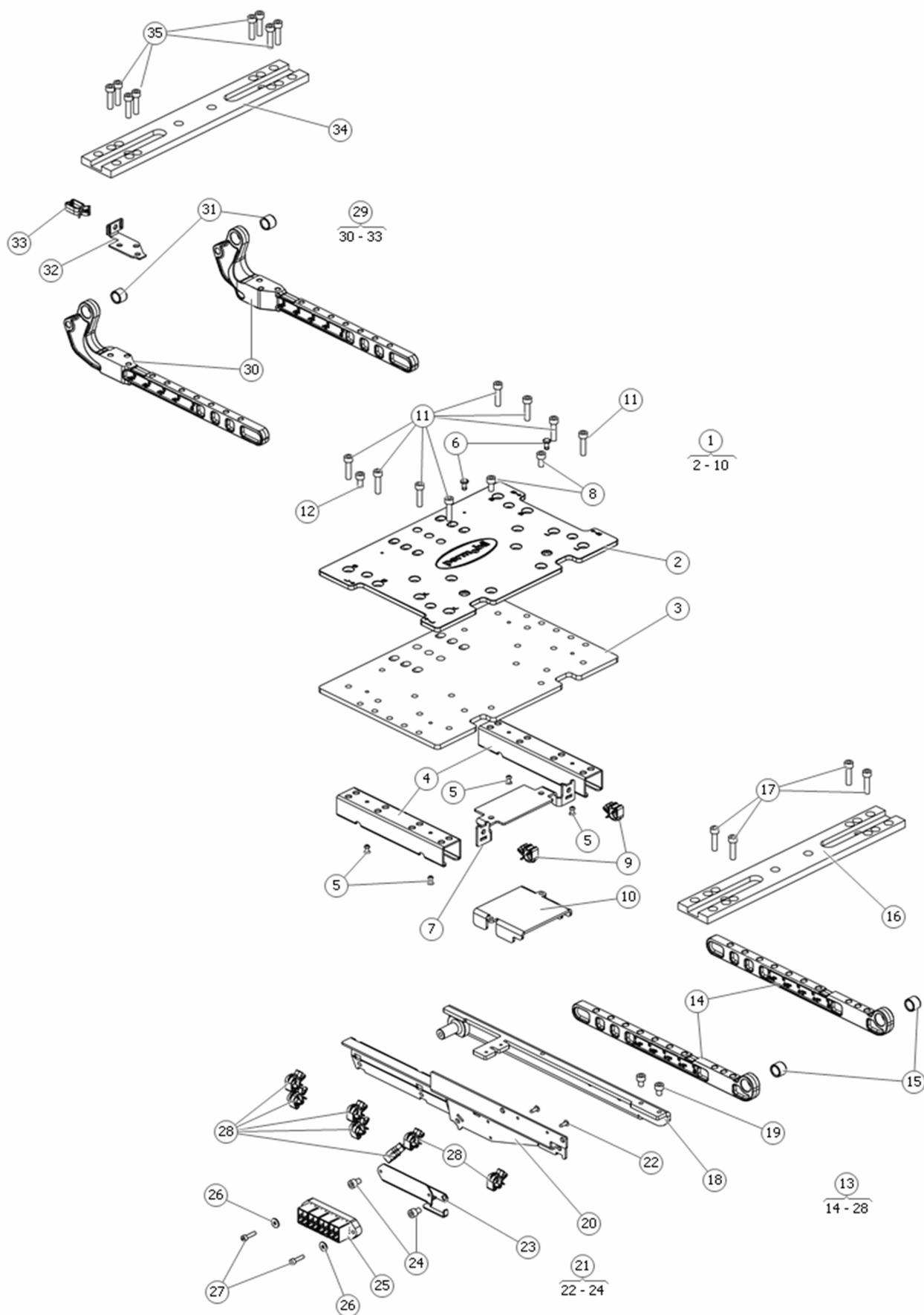
SPARE PART CATALOG

***Corpus* 3GX850**

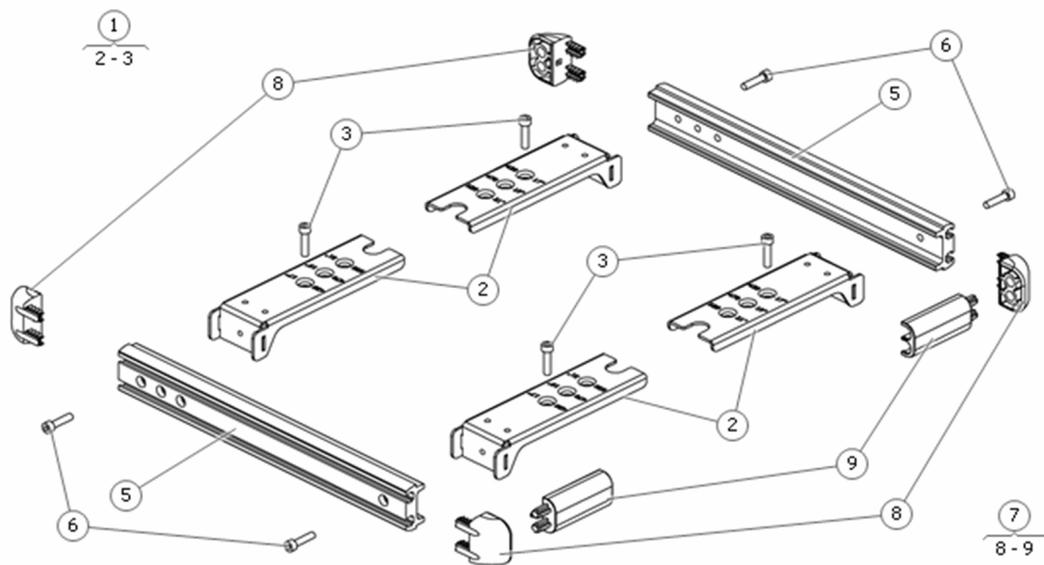
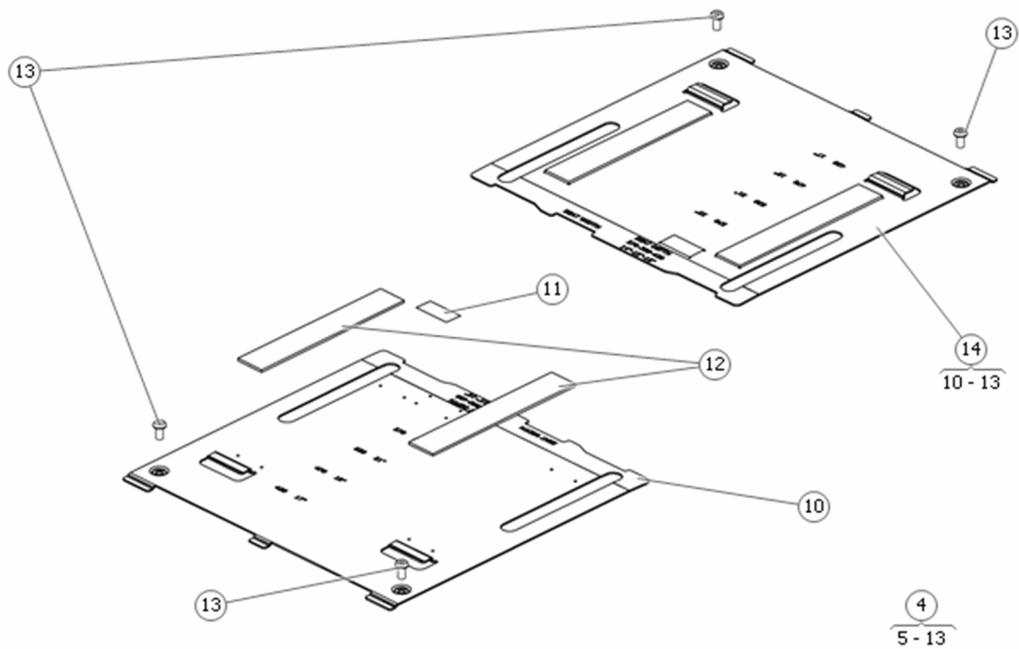
Seating system for Permobil power wheelchairs

permobil
THE POWER OF MOBILITY

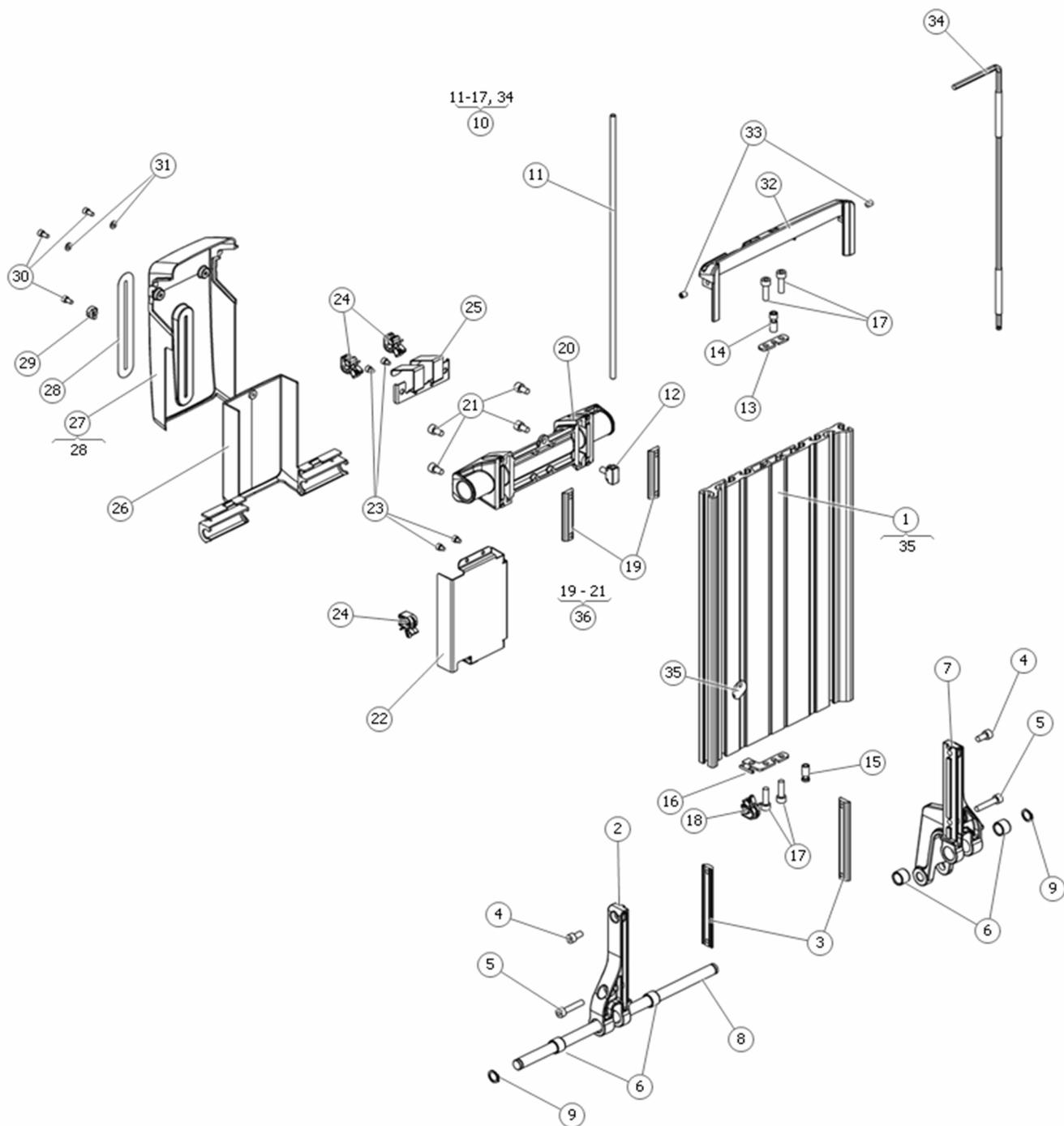
Contents	Page
Seat plate	
Seat widening	
Backrest hinge	
Backrest fixed/slide	
Backrest plate	
Backrest recline options	
Armrest right	
Armrest left	
Panelholders	
Panelholders PLG	
Without legrest	
Legrest	
Footplate	
Legrest angle adjustment options	
Power transfer legrest	
Power adjustable leglength	
Seat tilt	
Fixed seat/adapters	
Cushion & supports	
Cables & Electronics	
Ordering Information	
Contact info.	



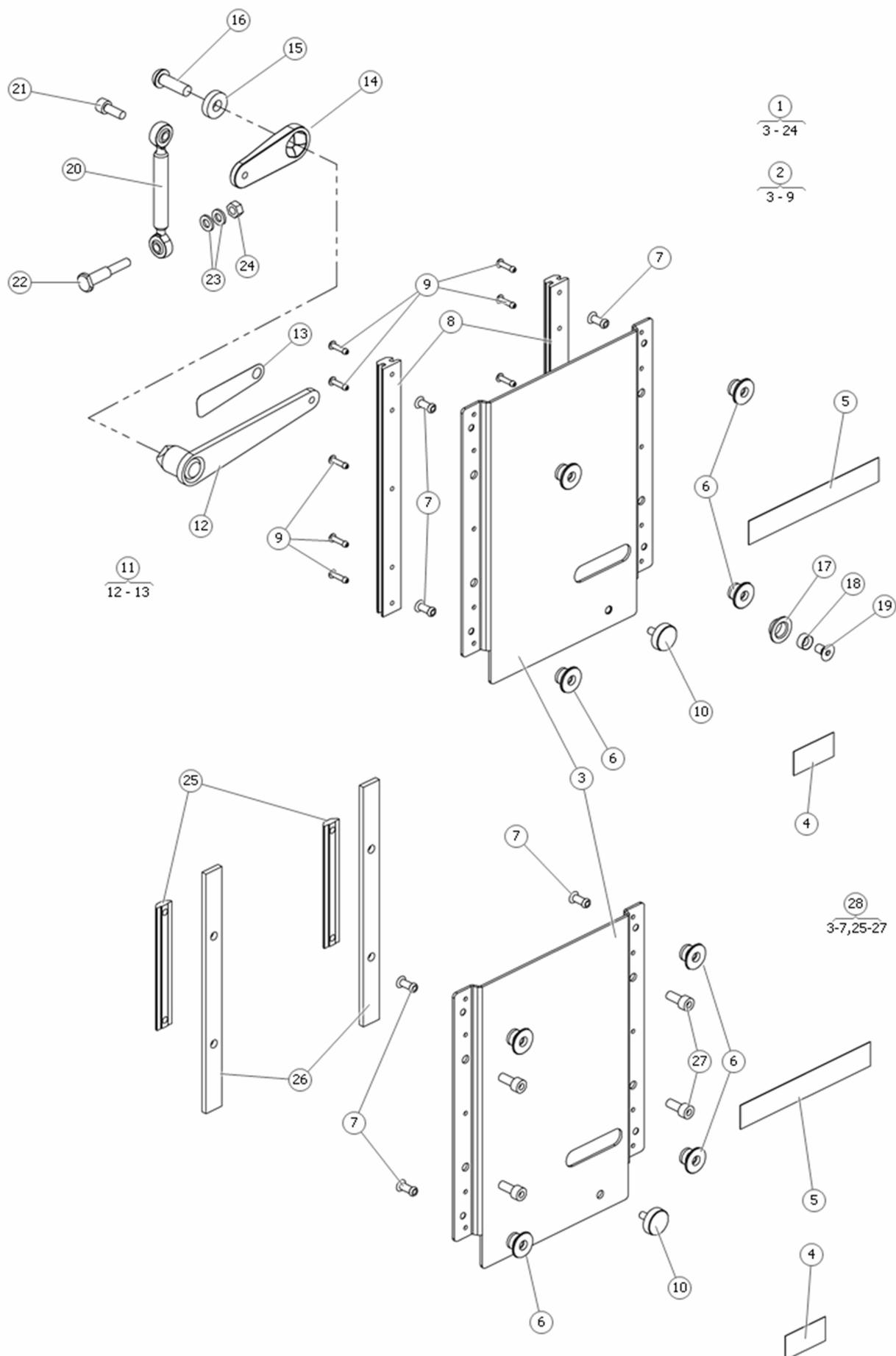
Pos	Qty	Stock Code	Description	Remark
1	1	1825584	Bracket	
2	1	318650	Plate	
3	1	318614	Plate	
4	1	318615	Plate	
5	1	613757	Blind rivet Ø4,8x12,5 St/St (7,9-9,5)	
6	1	613759	Blind rivet Ø6,4x15,8 NYLON (7,1-12,7)	
7	1	319124	Bracket	
8	1	600192-99-0	BOLT MC6S 6x12 fzb *	
9	1	612953-00-0	Cable clip Ømax=12,5mm	
10	1	318953	Plate	
11	1	600195-99-0	BOLT MC6S 6x25 fzb *	
12	1	600192-99-0	BOLT MC6S 6x12 fzb *	
13	1	1826431	Seat frame	
14	1	1825534	Bracket adj.frontseat frame	
15	1	1825542	Slide bearing 12/16x12 PDE	
16	1	1829665	BAR SEAT FRAME	
17	4	600195-99-0	BOLT MC6S 6x25 fzb *	
18	1	1825592	Bracket	
19	1	601359-99-0	BOLT MC6S 6x 8 fzb *	
20	1	319148	Bracket	
21	1	319091	Bracket	
22	1	613105	Blind rivet Ø3,2x11,4 St/St (1,1-4,0)	
23	1	319145	Bracket	
24	1	601359-99-0	BOLT MC6S 6x 8 fzb *	
25	1	1821304	Junnction box 8-POS. 3-POLE LIN	
26	1	600829-99-0	WASH BRB 4.3x12x 1 fzb DIN 9021 B	
27	1	600272-99-0	BOLT MC6S 4x16 fzb *	
28	1	612953-00-0	CABLECLIP SET	
29	1	1828613	BACKREST FRAME HINGE C3G SPARE PART KIT	
30	1	320743	Brkt adj.rear seat frame/back hinge left	
30	1	320745	Brkt adj.rear seat frame/back hinge right	
31	1	1825542	Slide bearing 12/16x12 PDE	
32	1	320756	Bracket	
33	1	602510-00-0	CABLE HOLD HCMP06 B12-20 *	
34	1	1829665	BAR SEAT FRAME	
35	1	600195-99-0	BOLT MC6S 6x25 fzb *	



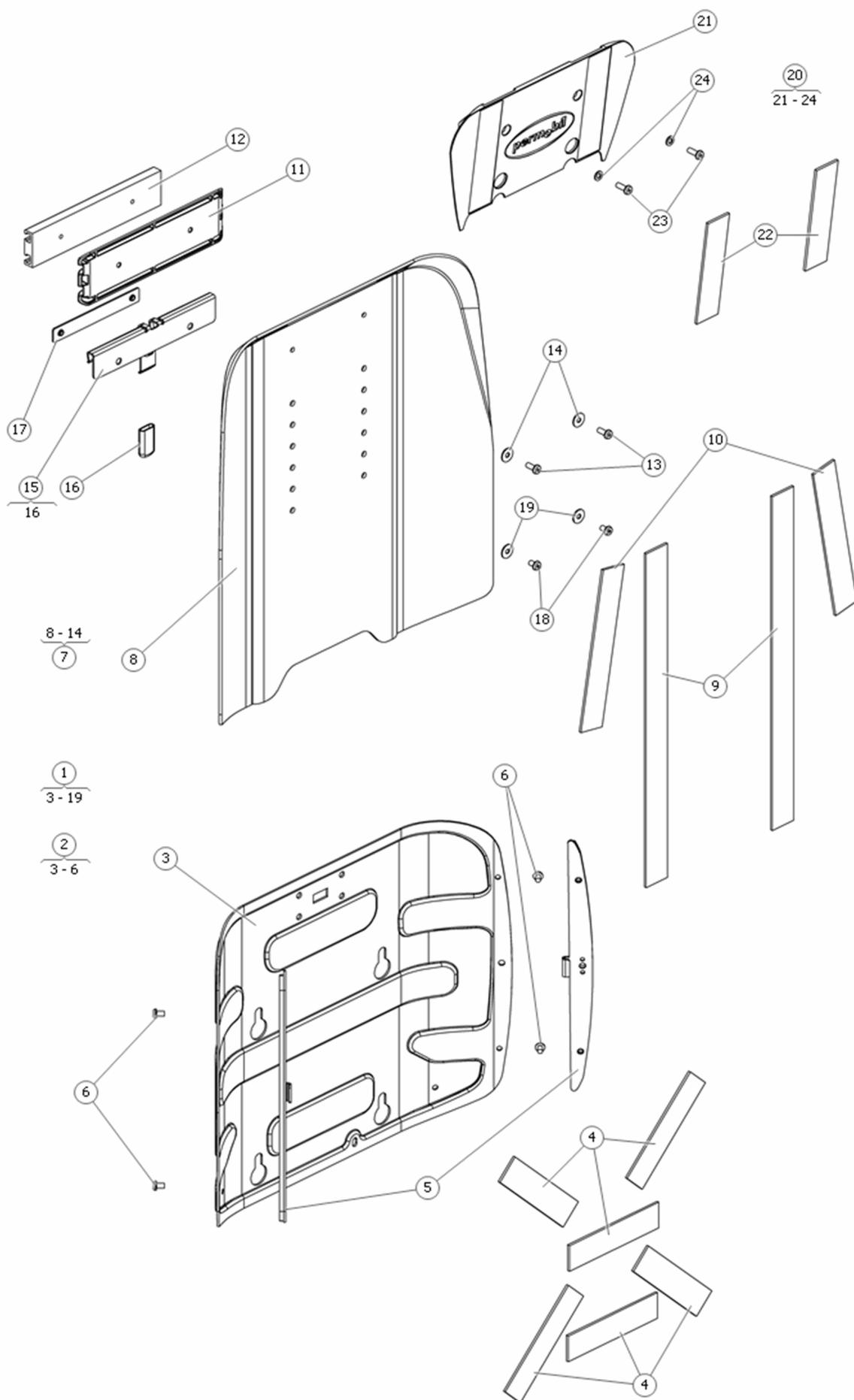
Pos	Qty	Stock Code	Description	Remark
1	1	319378	Seat widening	
2	1	1825585	Adjustable seatplate bracket 420-520mm	
2	1	1825586	Adjustable seatplate bracket 470-570mm	
3	1	600195-99-0	BOLT MC6S 6x25 fzb *	
4	1	1828883	Seat frame D=370-420mm	
4	1	1828884	Seat frame D=445-495mm	
4	1	1828885	Seat frame D=520-570mm	
5	2	1829060	Unitrack L=370-395-420mm	
5	2	1829061	Unitrack L=445-470-495mm	
5	2	1829062	Unitrack L=520-545-570mm	
6	1	600195-99-0	BOLT MC6S 6x25 fzb *	
7	1	1826126	Plastic plug kit	
8	1	1827491	PLASTIC PLUG	EACH
8	1	319196	Plastic plug	
9	1	319197	Cover	
10	1	321436	Seatplate depth=370-395-420	
10	1	321438	Seatplate depth=445-470-495	
10	1	321442	Seatplate depth=520-545-570	
11	1	1826135	Sticker kit	
11	1	315074	Sticker	
12	1	320129	Velcro tape W=30 L=180mm	
13	1	600736-99-0	Screw ISO 7380 M6x10 Fe/Zn	
14	2	1829057	Seat plate depth=370-395-420mm. Incl.velcro	
14	2	1829058	Seat plate depth=445-470-495mm. Incl.velcro	
14	2	1829059	Seat plate depth=520-545-570mm. Incl.velcro	



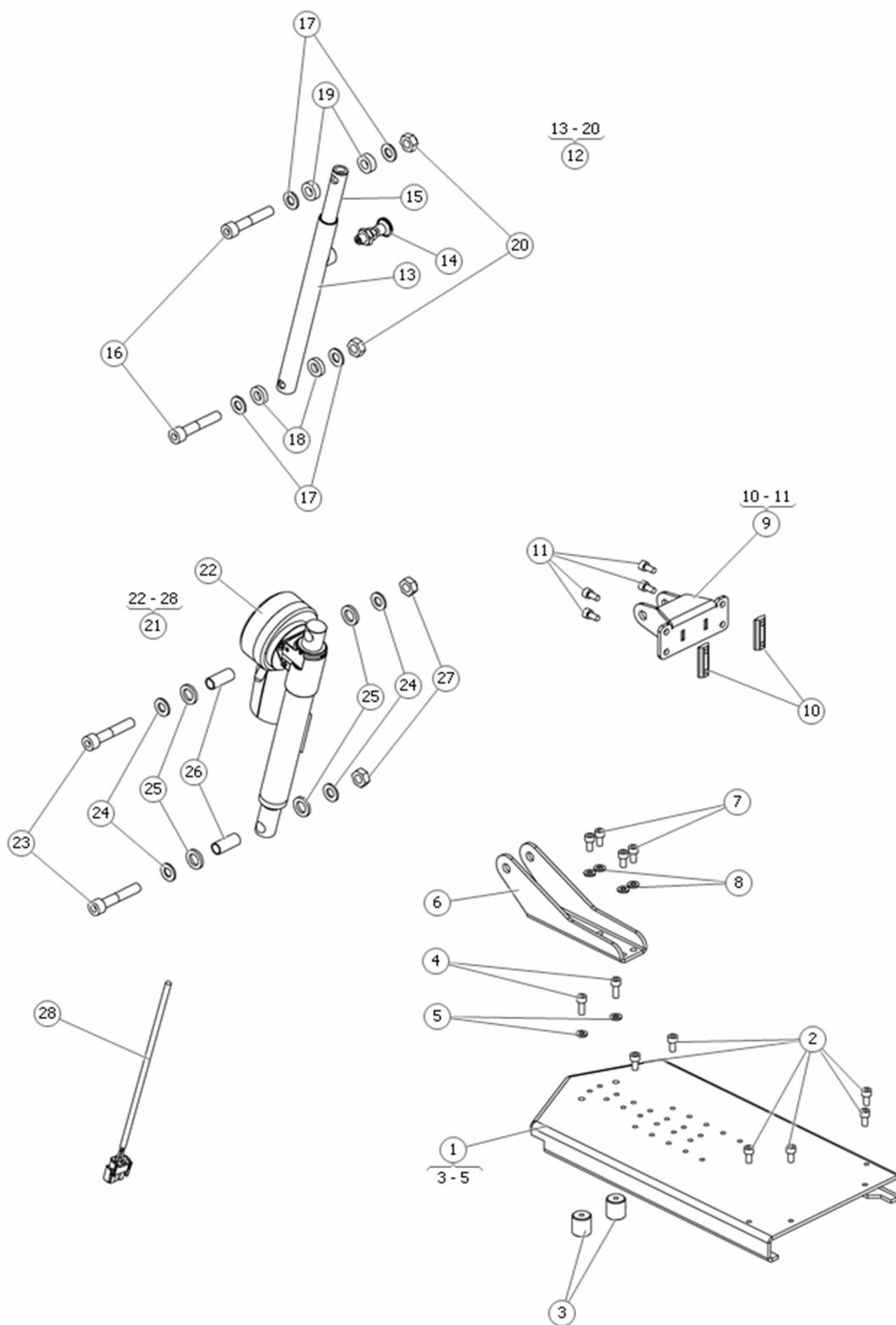
Pos	Qty	Stock Code	Description	Remark
1	1	1828207	Profile	
2	1	1825588	Hinge	
3	1	1825464	Slot nut 90mm	
4	1	600193-99-0	BOLT MC6S 6x14 fzb *	
5	1	600196-99-0	BOLT MC6S 6x30 fzb *	
6	1	1825542	Slide bearing 12/16x12 PDE	
7	1	1825549	Slewing bracket	
8	1	1825587	Shaft backrest hinge 308mm	
9	1	601225-99-0	CIRCLIP SgA 12 DIN471 *	
10	1	1825463	Height adjustment kit armrest	
11	1	319092	Bar threaded M6	
12	1	319087	Slide bar	
13	1	319085	Plate	
14	1	319083	Socket	
15	1	319083	Socket	
16	1	319435	Plate	
17	1	600194-99-0	Screw ISO 4762 M6x20 Fe/Zn	
18	1	612953-00-0	Cable clip Ømax=12,5mm	
19	1	1825465	Slot nut 50mm	
20	1	1828546	Hinge	Please add 2pcs. 1826394 "SCREW M6" to Your order
20	1	319120	Armrest Hinge Only	
21	1	600192-99-0	BOLT MC6S 6x12 fzb *	
22	1	319224	Plate	
23	1	601282-99-0	Screw ISO 4762 M4x5 Fe/Zn	
24	1	612953-00-0	Cable clip max=12,5mm	
25	1	319226	Plate	
26	1	1826117	Cover back lower end	
27	1	1826118	Cover back upper	
28	1	1826135	Sticker kit	
29	1	1826119	Plastic knob	
30	1	600182-99-0	BOLT MC6S 4x 8 fzb	
31	1	601296-99-0	WASH BRB 4.3x 9x0.8 fzb STD	
32	1	1825582	Cover back top end	
33	1	1825583	Set screw ISO 4029 M6x8 45H	
34	1	1826120	KEY TOOL RUBBERIZED 5mm	
35	1	320060	Bushing	
36	1	1827692	Armr Hinge Assm	Take pos.20 and add 2x 1826394(screws) to Your or..



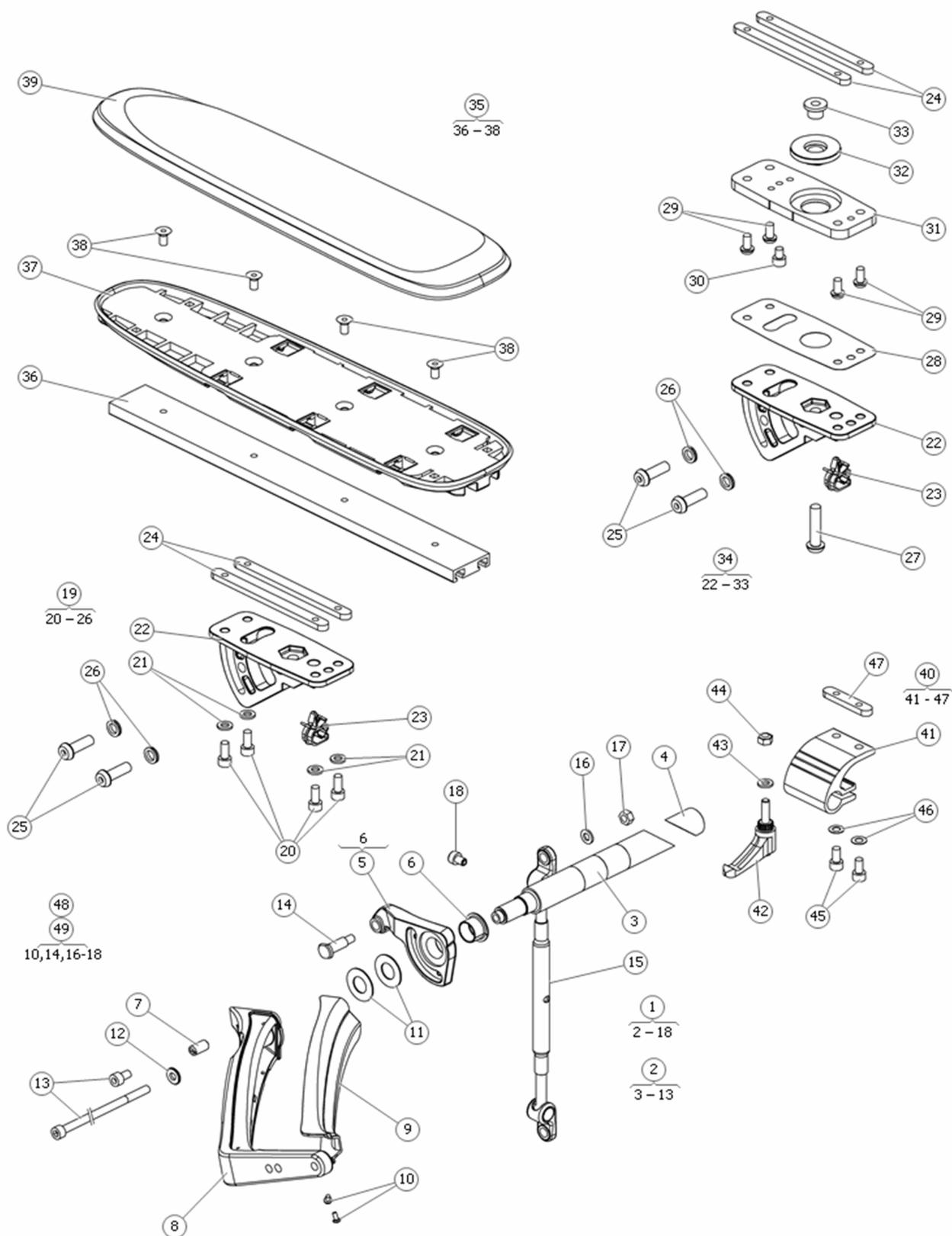
Pos	Qty	Stock Code	Description	Remark
1	1	1825618	Backrest slide kit	
2	1	1826110	Bracket	
3	1	318536	Plate	
4	1	320243	Velcro tape loop W=20 L=40	
5	1	320241	Velcro tape loop W=20 L=130	
6	1	319035	Bracket	
7	1	613769	Blind rivet Ø5,0x16 St/St (9,5-11)	
8	1	319144	Slide bar	
9	1	613768	Blind rivet Ø3,2x16 A2-Stainless St (10,5-12,5)	
10	1	602391-99-0	STAR HANDLE 71-020 M5x12 BATT.BOX	
11	1	1827693	ARM BACK SLIDE	
12	1	318573	Angle link	
13	1	319167	Tape teflon	
14	1	1825611	Arm	
15	1	1827694	Washer Ø8,5x20x5	
16	1	1828843	Screw ISO 7380 M8x25 Fe/Zn Locking coat	
16	1	602165-99-0	bolt	
17	1	1825613	Bush	
18	1	1827695	SOCKET SLIDING BACK	
19	1	601265-99-0	Screw ISO 10642 M6x10 10.9 Fe/Zn	
19	1	601265-99-0	BOLT MF6S 6x10 fzb	
20	1	1825610	Linkrod	
21	1	600743-99-0	BOLT MC6S 6x16 fzb *	
22	1	1825614	Link bolt	
23	1	600238-99-0	WASH BRB ISO 7089 6.4x12x1.6 fzb STD	
24	1	600227-99-0	LOCK NUT M6 FZB *	
25	1	1825464	Slot nut 90mm	
26	1	320260	Spacer wash	
27	1	600193-99-0	Screw ISO 4762 M6x14 Fe/Zn	
28	1	1826445	Backrest fixed kit	



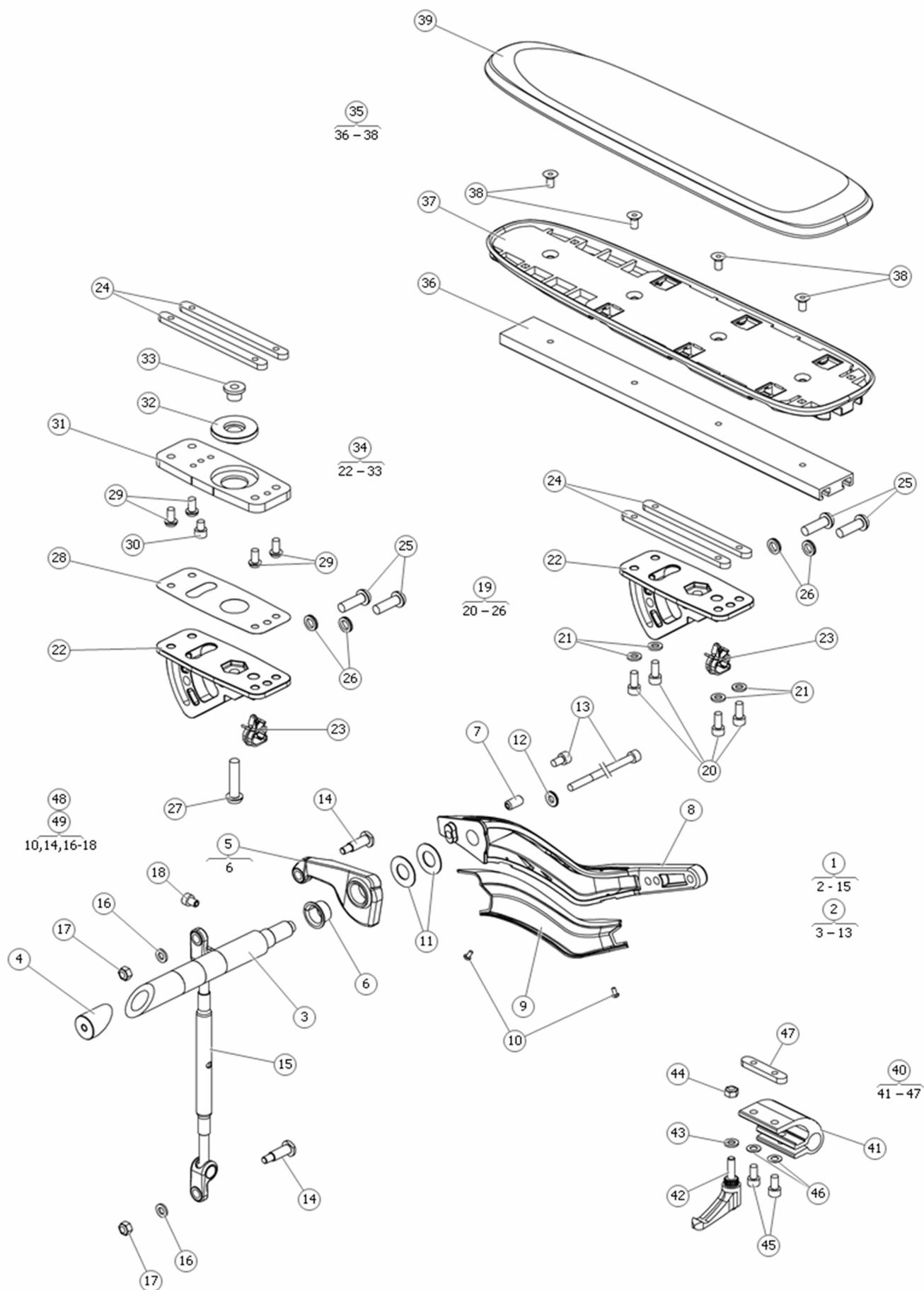
Pos	Qty	Stock Code	Description	Remark
1	1	1827159	Backrest plate kit W=360, H=adjustable	
1	1	1827160	Backrest plate kit W=410, H=adjustable	
1	1	1827162	Backrest plate kit W=460, H=adjustable	
1	1	1828741	Backrest plate kit W=510, H=adjustable	
2	1	1826374	Backrest lower plate kit W=360mm.	
2	1	1826376	Backrest lower plate kit W=4100mm.	
2	1	1826378	Backrest lower plate kit W=460mm.	
2	1	1828742	Backrest lower plate kit W=510mm.	
3	1	319437	Backrest plate lower W=360mm	
3	1	319438	Backrest plate lower W=410mm	
3	1	319439	Backrest plate lower W=460mm	
3	1	320894	Backrest plate lower W=510mm	
4	1	319848	Velcro tape Hook W=30 L=125	
5	1	1827696	Bracket	
6	1	600189-99-0	BOLT MC6S 5x10 fzb *	
7	1	1826375	Backrest upper plate kit W=360mm	
7	1	1826377	Backrest upper plate kit W=410mm	
7	1	1826379	Backrest upper plate kit W=460mm	
7	1	1828743	Backrest upper plate kit W=510mm	
8	1	000000	NOTAVAILABLE	
8	1	319423	Backrest upper plate W=360mm	
8	1	319424	Backrest upper plate W=410mm	
8	1	319425	Backrest upper plate W=460mm	
8	1	320892	Backrest upper plate W=510mm	
9	1	319849	Velcro tape Hook W=30 L=390	
10	1	320129	Velcro tape L=182 Hook	
11	1	1827697	Holder	
12	1	1827698	Plate	
13	1	601170-99-0	Screw ISO 7380 M5x16 fzb *	
14	1	612857-99-0	Washer ISO 7093-1 Fe/Zn 5.3x15x1	
15	1	1826111	Backrest release	
16	1	601823-00-0	PLAST KNOB RECT 4x16x30 LEVER BRAKE RELEASE	
17	1	1826381	Nut plate	
18	1	600740-99-0	BOLT K6S 5x 8 fzb *	
19	1	612857-99-0	Washer ISO 7093-1 Fe/Zn 5.3x15x1	
20	1	1827051	Wedge backrest W=360mm	
20	1	1827052	Wedge backrest W=410mm	
20	1	1827053	Wedge backrest W=460mm	
20	1	1828744	Wedge backrest W=510mm	
21	1	320115	Wedge W=410	
21	1	320119	Wedge W=360	
21	1	320229	Wedge W=460	
21	1	320917	Wedge W=510	
22	1	319848	Velcro tape Hook W=30 L=125	
23	1	601707-99-0	BOLT K6S 5x20 fzb	
24	1	600237-99-0	Washer	



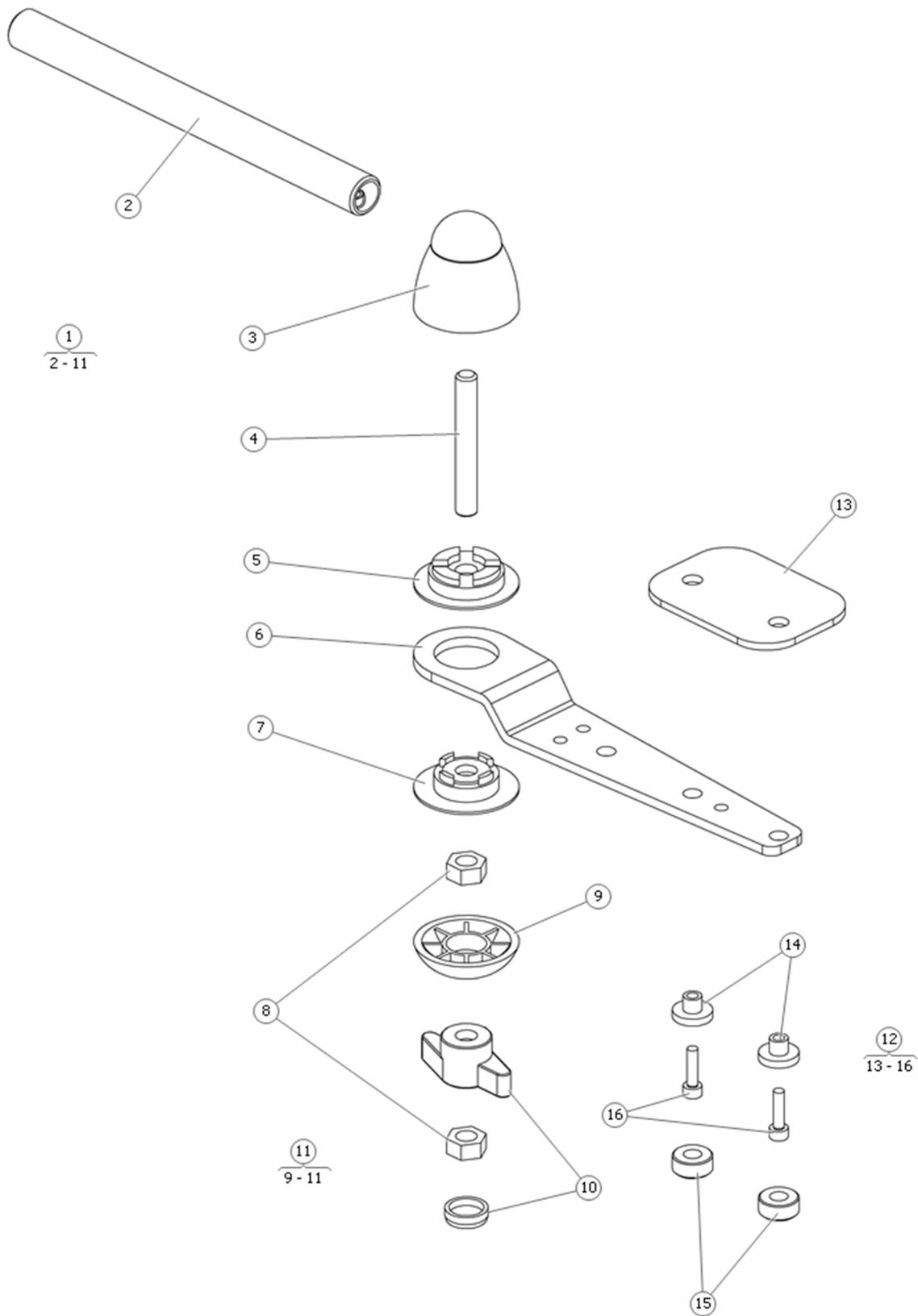
Pos	Qty	Stock Code	Description	Remark
1	1	1830503	Adapterplate cpl	
2	1	600192-99-0	Screw ISO 4762 M6x12 Fe/Zn	
3	1	323100	Spacer	
4	1	600743-99-0	Screw ISO 4762 M6x16 Fe/Zn	
5	1	600238-99-0	Washer ISO 7089 M6 6,4x12x1,6 Fe/Zn	
6	1	1830501	Actuator bracket	
7	1	600192-99-0	Screw ISO 4762 M6x12 Fe/Zn	
8	1	600238-99-0	Washer ISO 7089 M6 6,4x12x1,6 Fe/Zn	
9	1	1830502	Actuator bracket	
10	1	1826244	Slot nut 25mm	
11	1	600192-99-0	Screw ISO 4762 M6x12 Fe/Zn	
12	1	312332-40-0	Tube kit 100mm	
13	1	312330	Outer tube	
14	1	602328-00-0	Adjustable screw	
15	1	312331	Inner tube	
16	1	601231-99-0	Screw ISO 4762 M10x55 Fe/Zn	
17	1	600241-99-0	Wash ISO 7089 10,5x20x2 Fe/Zn	
18	1	1827733	Spacer nylon Ø10,5x20x5	
19	1	1827732	Spacer nylon Ø10,5x20x7	
20	1	600229-99-0	Lock nut DIN 985 M10 Fe/Zn	
21	1	1821495	Power backrest kit	
22	1	613269	Actuator RE25 196+80 2xØ13,1	
23	1	601231-99-0	Screw ISO 4762 M10x55 Fe/Zn	
24	1	600241-99-0	Washer ISO 7089 Ø10,5x20x2 Fe/Zn	
25	1	1825286	Washer Ø22x3 Hole Ø13,5	
26	1	302330-99-0	Actuator sleeve 30mm	
27	1	600229-99-0	Lock nut DIN 985 M10 Fe/Zn	
28	1	1824726	Cable adapter backrest LA-28	



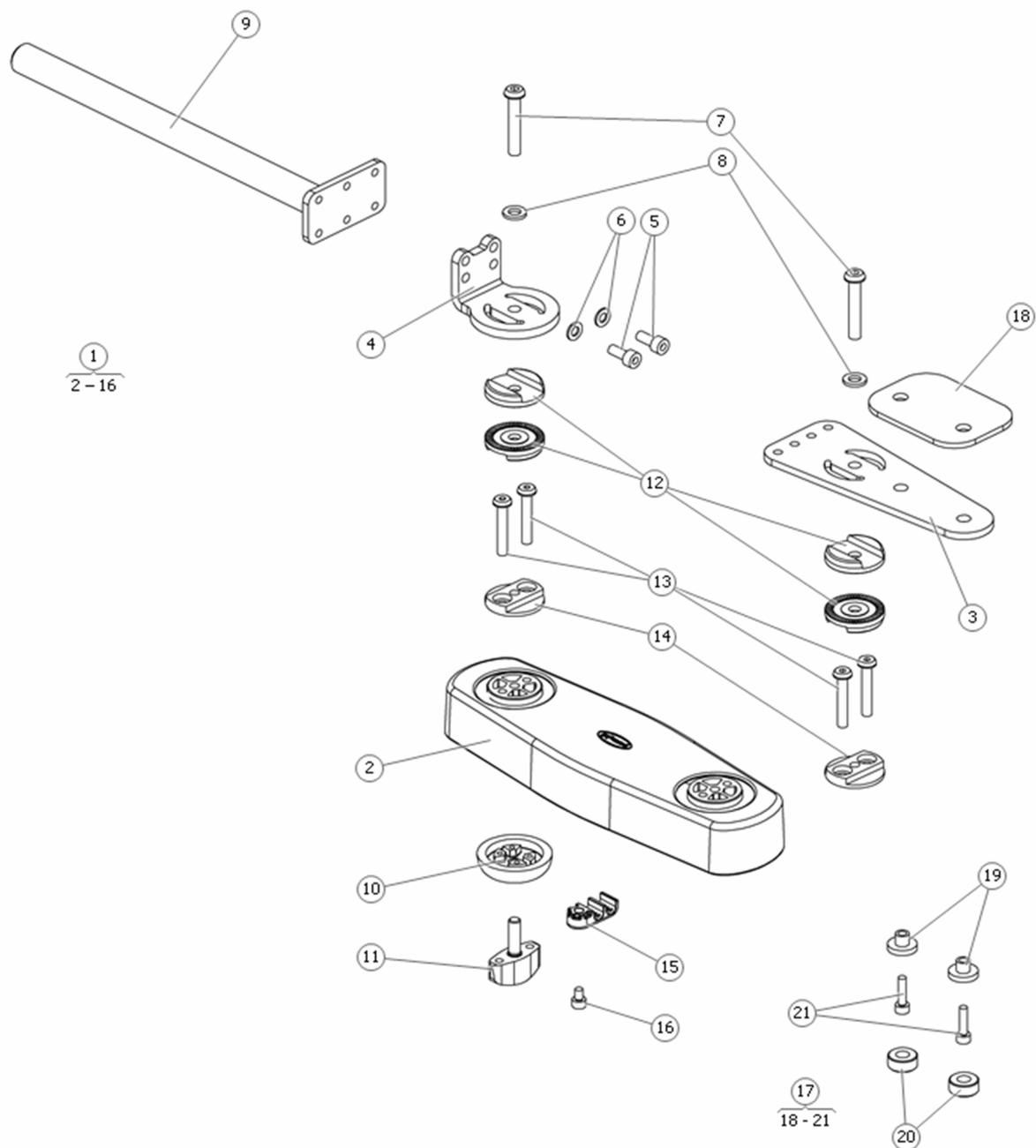
Pos	Qty	Stock Code	Description	Remark
1	1	1825596	Arm Right kit std	
1	1	1825598	Arm Right kit wide	
2	1	1825600	Arm Right std.	
2	1	1825602	Arm right wide	
2	1	1830233	ARMR BRACKET RIGHT	
2	1	1830234	ARMR BRACKET RIGHT	
2	1	1830236	ARMR BRACKET WIDE RIGHT	
3	1	321387	Shaft Wide	
3	1	321982	Shaft Std	
4	0	321388	Wedge nut	
5	0	321936	Arm	
6	0	602513	Bearing	
7	1	613754	Spring plunger GN 615-M8-KSN	
8	1	319118	Arm Right	
9	1	1826203	Cover Right	
10	1	602065-99-0	Screw ISO 7045 M3x6 4.8 Z Fe/Zn	
11	1	600700-99-0	CUP SPRING 28x14.2x1 *	
12	1	319149	Washer slide	
13	1	600888-99-0	BOLT MC6S 6x10 fzb *	Center screw for old type of armrest
13	1	614237	Screw ISO 4762 M6x150 Fe/Zn	
13	1	614238	Screw ISO 4762 M6x200 Fe/Zn	
14	1	1826395	Shaft	
15	1	1825603	Tie bar Std.	
15	1	1825672	Tie bar for wide armrest	
16	1	600238-99-0	WASH BRB ISO 7089 6.4x12x1.6 fzb STD	
17	1	600227-99-0	LOCK NUT M6 FZB *	
18	1	614239	Screw ISO 4762 M6x6 Fe/Zn	
19	1	1825593	Bracket one-way adjustable	
20	1	600193-99-0	BOLT MC6S 6x14 fzb *	
21	1	600238-99-0	WASH BRB ISO 7089 6.4x12x1.6 fzb STD	
22	1	319103	Hinge	
23	1	1821422	Cable clip Ømax=12,5mm set of 4pcs.	set of 4pcs.
24	1	319150	Nut	
25	1	602165-99-0	Screw ISO 7380 M8x25 Fe/Zn	
26	1	612888-99-0	LOCK WASH N-LOCK 8,7x13,5x2,5	
27	1	602373-99-0	SCREW ISO 7380 M8x35 Fe/Zn	
28	1	319110	Gasket	
29	1	601422-99-0	BOLT K6S 6x12 fzb *	
30	1	601359-99-0	BOLT MC6S 6x 8 fzb *	
31	1	319104	Plate	
32	1	319107	Plastic plug	
33	1	319106	Bush	
34	1	1825594	Bracket two-way adjustable	
35	1	1825604	Armrest L=260	
35	1	1825605	Armrest L=360	
35	1	1825606	Armrest L=410	
36	1	319547	Bracket L=260	
36	1	319552	Bracket L=360	
36	1	319554	Bracket L=410mm	
37	1	318786	Armrest L=260	
37	1	318787	Armrest L=360	
37	1	318788	Armrest L=410	
38	1	601788-99-0	BOLT MF6S 6x12 fzb *	
39	1	1826191	Armrest Pad L=260 Skai	
39	1	1826192	Armrest Pad L=360 Skai	
39	1	1826193	Armrest Pad L=410 Skai	
39	1	1826194	Armrest Pad L=260 Mesh Black	
39	1	1826195	Armrest Pad L=360 Mesh Black	
39	1	1826196	Armrest Pad L=410 Mesh Black	
39	1	1828340	ARMR. PAD 410 MESH	
40	1	1828960	Panel holder unitrack	
41	1	319443	Holder	
42	1	1822869	Lock handle M6x20	
42	1	600194-99-0	Screw ISO 4762 M6x20 Fe/Zn	
43	1	600238-99-0	Washer ISO 7089 6,4x12x1,6	
44	1	600227-99-0	Nut DIN 985 M6 Fe/Zn	
45	1	600192-99-0	Screw ISO 4762 M6x12 Fe/Zn	
46	1	612800	Washer DIN137B 6,4x12x0,5 Fe/Zn	
47	1	1824717	Slot nut	
48	1	1828957	BOLT KIT ARMREST WIDE	Only for the first version. Position 14, 16 and 17; 2 p...
49	1	1828958	BOLT KIT ARMREST	Only for the first version. Position 14, 16 and 17; 1 p...



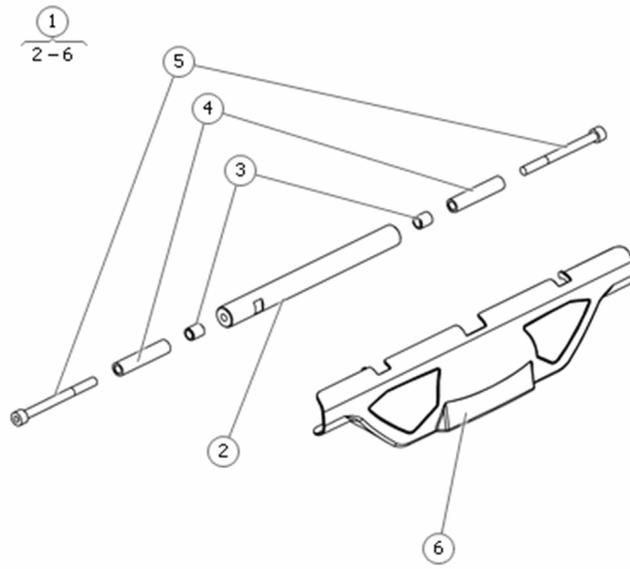
Pos	Qty	Stock Code	Description	Remark
1	1	1825595	Arm Left kit std.	
1	1	1825597	Arm Left kit wide	
2	1	1825599	Arm Left incl.shaft std.	
2	1	1825601	Arm Left incl.shaft wide	
2	1	1830233	ARMR BRACKET LEFT	
2	1	1830234	ARMR BRACKET LEFT	
3	1	321387	Shaft Left Wide	
3	1	321982	Shaft Left	
4	0	321388	Wedge nut	
5	0	321935	Arm	
6	0	602513	Bearings	
7	1	613754	Spring plunger GN 615-M8-KSN	
8	1	319119	Arm Left	
9	1	1826204	Cover Left	
10	1	602065-99-0	Screw ISO 7045 M3x6 4.8 Z Fe/Zn	
11	1	600700-99-0	CUP SPRING 28x14.2x1 *	
12	1	319149	Washer slide	
13	1	600888-99-0	BOLT MC6S 6x10 fzb *	Center screw for old type of armrest
13	1	614237	Screw ISO 4762 M6x150 Fe/Zn	
13	1	614238	Screw ISO 4762 M6x200 Fe/Zn	
14	1	1826395	Shaft	
15	1	1825603	Tie bar std.	
15	1	1825672	Tie bar for wide armrest	
16	1	600238-99-0	WASH BRB ISO 7089 6.4x12x1.6 fzb STD	
17	1	600227-99-0	LOCK NUT M6 FZB *	
18	1	614239	Screw ISO 4762 M6x6 Fe/Zn	
19	1	1825593	Bracket one-way adjustable	
20	1	600193-99-0	BOLT MC6S 6x14 fzb *	
21	1	600238-99-0	WASH BRB ISO 7089 6.4x12x1.6 fzb STD	
22	1	319103	Hinge	
23	1	1821422	Cable clip Ømax=12,5mm set of 4pcs.	set of 4 pcs.
24	1	319150	Nut	
25	1	602165-99-0	Screw ISO 7380 M8x25 Fe/Zn	
26	1	612888-99-0	LOCK WASH N-LOCK 8,7x13,5x2,5	
27	1	602373-99-0	SCREW ISO 7380 M8x35 Fe/Zn	
28	1	319110	Gasket	
29	1	601422-99-0	BOLT K6S 6x12 fzb *	
30	1	601359-99-0	BOLT MC6S 6x 8 fzb *	
31	1	319104	Plate	
32	1	319107	Plastic plug	
33	1	319106	Bush	
34	1	1825594	Bracket two-way adjustable	
35	1	1825604	Armrest L=260	
35	1	1825605	Armrest L=360	
35	1	1825606	Armrest L=410	
36	1	319547	Bracket L=260	
36	1	319552	Bracket L=360	
36	1	319554	Bracket L=410	
37	1	318786	Armrest L=260	
37	1	318787	Armrest L=360	
37	1	318788	Armrest L=410	
38	1	601788-99-0	BOLT MF6S 6x12 fzb *	
39	1	1826191	PAD	
39	1	1826192	PAD	
39	1	1826193	PAD	
39	1	1826194	PAD	
39	1	1826195	PAD	
39	1	1826196	PAD	
39	1	1828340	ARMR. PAD 410 MESH	
40	1	1825815	Bracket panel holder kit	
41	1	319443	Holder	
42	1	1822869	Lock handle M6x20	
42	1	600194-99-0	Screw ISO 4762 M6x20 Fe/Zn	
43	1	600238-99-0	Washer ISO 7089 6,4x12x1,6 Fe/Zn	
44	1	600227-99-0	Nut DIN 985 M6 Fe/Zn	
45	1	600192-99-0	Screw ISO 4762 M6x12 Fe/Zn	
46	1	612800	Washer DIN 137B 6,4x12x0,5 Fe/Zn	
47	1	1824717	Slot nut	
48	1	1828957	BOLT KIT ARMREST WIDE	Only for the first version. Position 14, 16 and 17; 2 p...
49	1	1828958	BOLT KIT ARMREST	Only for the first version. Position 14, 16 and 17; 1 p...



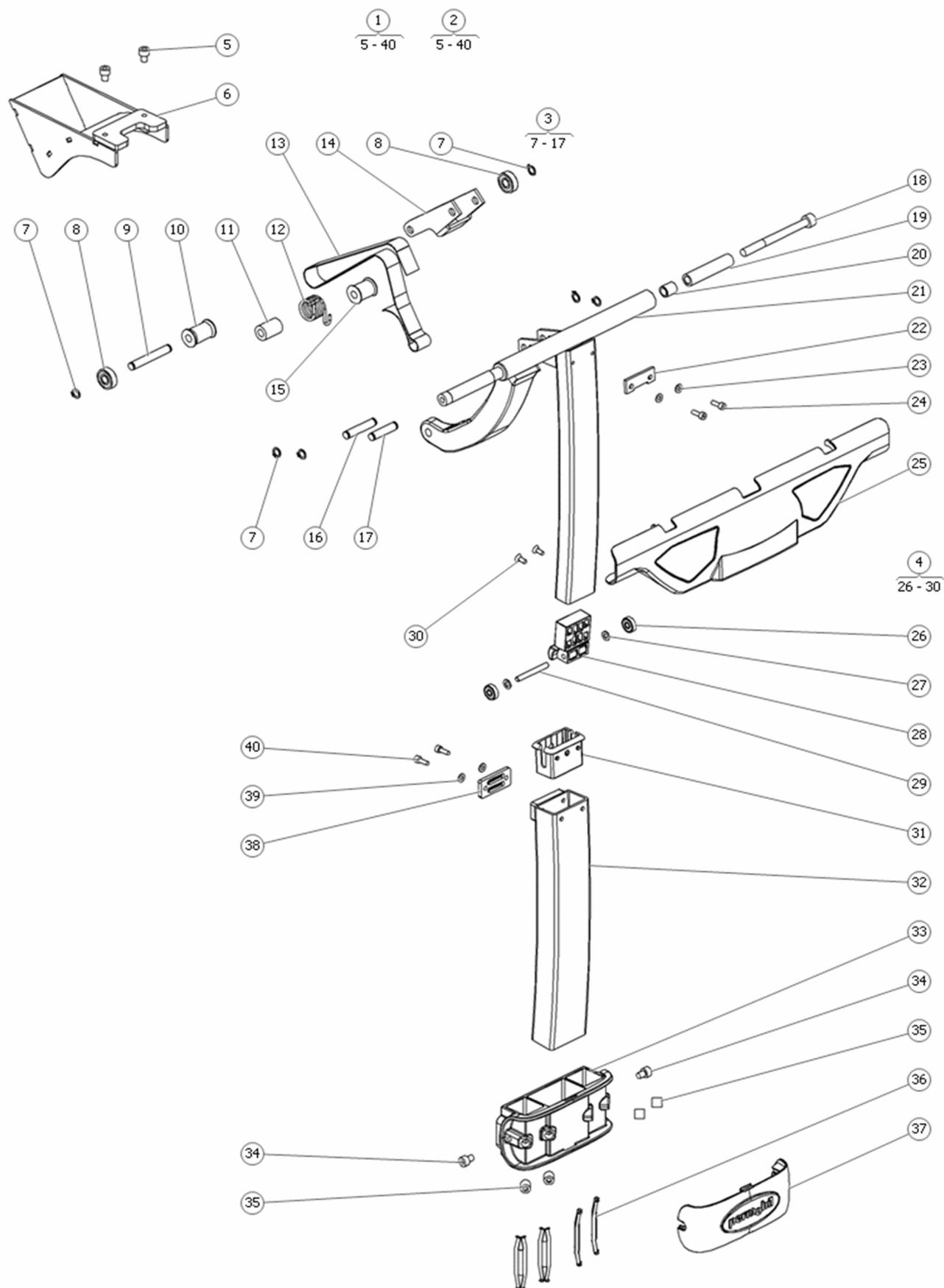
Pos	Qty	Stock Code	Description	Remark
1	1	310040-99-0	PANELHOLD 335 LOW SAFE GATE	
1	1	310041-99-0	PANEL HOLDER 435 HI V.2 SAFE GATE	
2	1	308984	TUBE L=180	
2	1	310038	TUBE L=270	
3	1	310021	HINGE	
4	1	612448-99-0	SCREW, ISO 4029 M8x60 A2	
5	1	310425	LOCK WASHER	
6	1	309304	PLATE PANELHOLDER	
7	1	310424	LOCK WASHER	
8	1	600228-99-0	LOCK NUT M8 FZB *	
9	1	310023	WASHER CONCAVE	
10	1	602825	LOCK HANDLE 8 (for nut 13mm)	
11	1	1825556	ADJUSTMENT KNOB KIT	
12	1	1830600	Isolation kit	
13	1	323502	Isolation plate	
14	1	323500	Isolation socket	
15	1	323501	Isolation cover	
16	1	600272-99-0	Screw ISO 4762 M4x16 Fe/Zn	



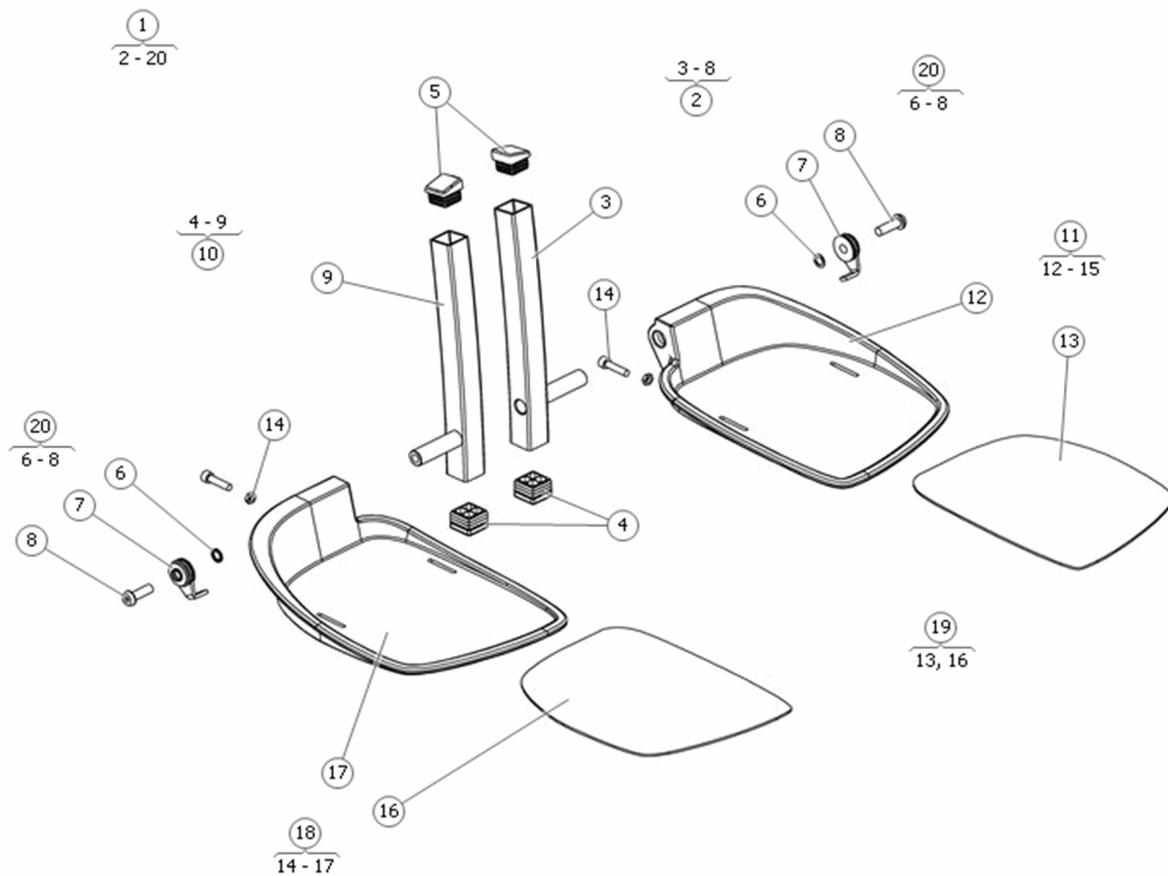
Pos	Qty	Stock Code	Description	Remark
1	1	325420	PANELHOLDER	
2	1	316848	HINGE	
3	1	325419	PLATE	
4	1	317400	Plate	
5	2	600183-99-0	BOLT MC6S 4x10 fzb *	
6	1	600741-99-0	WASHER, 4,3x10x1 Fe/Zn	
7	1	602035-99-0	SCREW, M6x30 Fe/Zn ISO 7380	
8	1	600238-99-0	WASH BRB ISO 7089 6.4x12x1.6 fzb STD	
9	1	317403	PANELHOLDER	
10	1	316832	Washer	
11	1	602360-00-0	STARHANDLE CT.47630P M6x20	
12	4	1823502	LINK	
13	4	601424-99-0	BOLT MF6S 5x30 fzb *	
14	2	317402	PLATE	
15	1	1827135	Clamp	
16	1	600832-99-0	SCREW, M4x6 Fe/Zn ISO 4762	
17	1	1830600	Isolation kit	
18	1	323502	Isolation plate	
19	1	323500	Isolation socket	
20	1	323501	Isolation cover	
21	1	600272-99-0	Screw ISO 4762 M4x16 Fe/Zn	



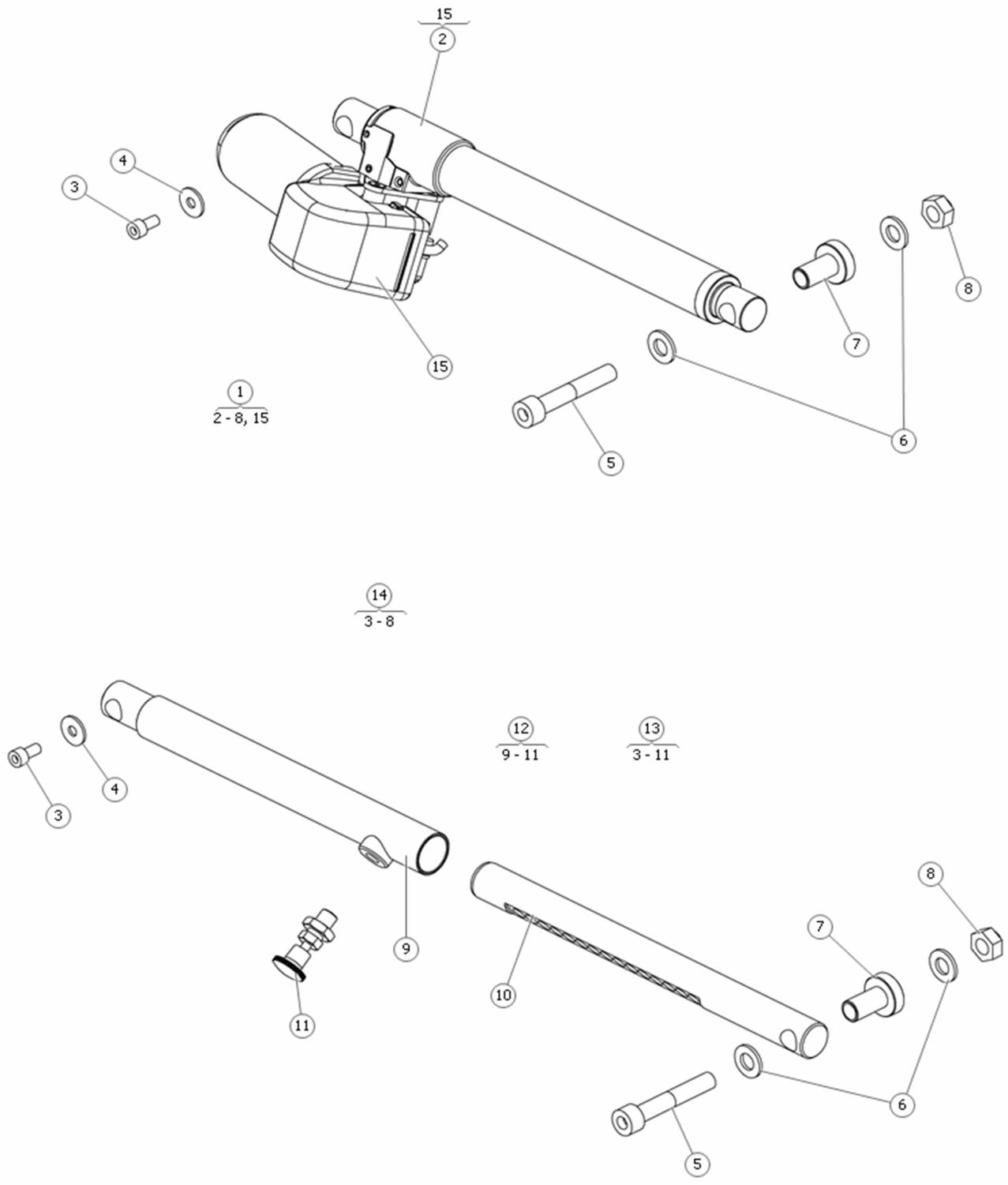
Pos	Qty	Stock Code	Description	Remark
1	1	320578	Without Legrest kit	
2	1	1827995	Tube	
3	1	1829666	Bush L=14, Ø12/8	
4	1	1829672	Socket Ø13x2,5x60	
5	1	601702-99-0	BOLT MC6S 8x90 fzb ISO 4762 Fe/Zn	
6	1	1825384	Cover	



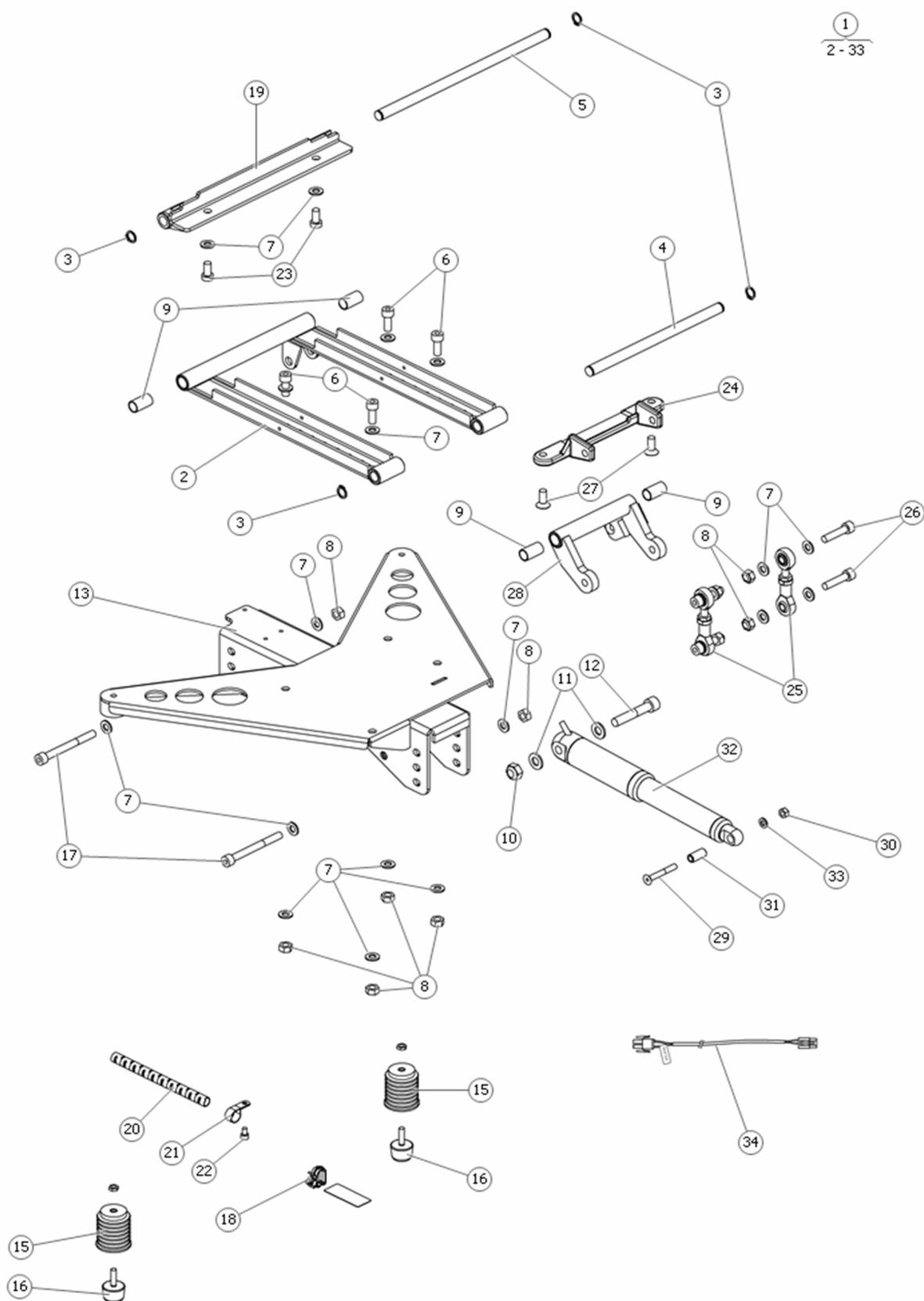
Pos	Qty	Stock Code	Description	Remark
1	1	1830243	LEGREST	
2	1	1831259	LEGREST, SHORT EXTENSION	
3	1	1825374	LEGREST EXTENSION SPARE PART KIT	
4	1	1828737	WEAR KIT RA/FOOTPL. PWR TRANSFER	
5	1	601359-99-0	BOLT MC6S 6x 8 fzb *	
6	1	1831266	HOLDER	
7	1	600503-99-0	CIRCLIP SGA 8 *	
8	1	600522-99-0	BALL BEAR 608-2RS1 *	
9	1	318947	SHAFT	
10	1	319164	ROLLER	
11	1	319165	ROLLER	
12	1	1821260	SPRING	
13	1	305245-00-0	WEB BELT CALF REST CII	
14	1	1821089	ROLLER BRACKET	
15	1	319166	ROLLER	
16	1	319172	ROLLER	
17	1	319171	ROLLER	
18	1	601702-99-0	BOLT MC6S 8x90 fzb ISO 4762 Fe/Zn	
19	1	1829672	SOCKET	
20	1	1829666	BUSH	
21	1	1831263	INNER PROFILE	
22	1	1829669	WEB.BELT	
23	1	601296-99-0	WASH BRB 4.3x 9x0.8 fzb STD	
24	1	600184-99-0	BOLT MC6S 4x12 fzb *	
25	1	1825384	COVER	
26	1	613729	BALL BEARING	
27	1	600237-99-0	WASH BRB 5.3x10x 1 fzb *	
28	1	318955	PLASTIC PLUG	
29	1	318954	PIN	
30	1	600208-99-0	BOLT MF6S 4x10 fzb DIN 7991 Fe/Zn	
31	1	1829668	PLASTIC PLUG	
32	1	1829667	OUTER PROFIL	
33	1	1829671	HOLDER	
34	1	601359-99-0	BOLT MC6S 6x 8 fzb *	
35	1	1826122	HEXAGON SOCKET SET SCREW	
36	1	1825609	PRESS PLATE	
37	1	1825383	COVER	
38	1	1829670	BRACKET	
39	1	601296-99-0	WASH BRB 4.3x 9x0.8 fzb STD	
40	1	600184-99-0	BOLT MC6S 4x12 fzb *	



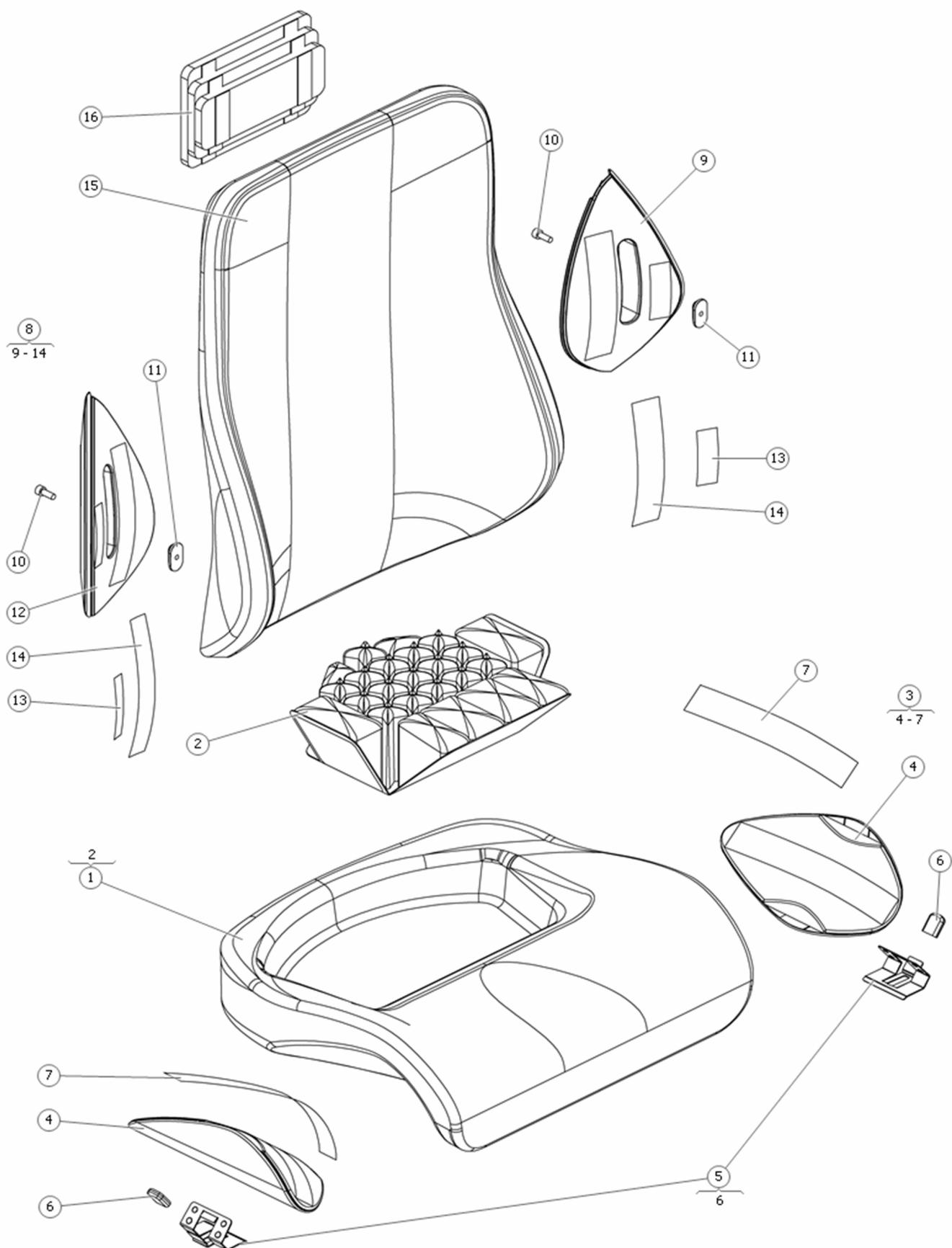
Pos	Qty	Stock Code	Description	Remark
1	1	319179	Footplate wide WIDE incl. brackets	
1	1	319636	Footplate narrow incl. brackets	
2	1	1825377	Bracket left	
3	1	318227	Foot adjustment left	
4	1	601236-00-0	PLAST PLUG 56-25-25	
5	1	1827967	Plastic plug	
6	1	602127-99-0	WASH SCHNORR 8,4*13*0,8 *	
7	1	306983	Frictionsbrake	
8	1	602165-99-0	BOLT K6S 8x 25 FZB	
9	1	318228	Foot adjustment right	
10	1	1825378	Bracket right	
11	1	1825379	Footplate kit left	
11	1	1825607	Footplate kit narrow left	
12	1	318886	Footplate left	
12	1	319200	Footplate narrow left	
13	1	319162	Rubber protect left	
13	1	319627	Rubber protect narrow left	
14	1	600195-99-0	BOLT MC6S 6x25 fzb *	
16	1	319163	Rubber protect right	
16	1	319628	Rubber protect narrow right	
17	1	318887	Footplate right	
17	1	319201	Footplate narrow right	
18	1	1825380	Footplate kit right	
18	1	1825608	Footplate kit narrow right	
19	1	1825381	Rubber protect kit wide footplate	
19	1	1827426	Rubber protect kit narrow footplate	
20	1	308371-99-0	FRICITION GUIDE FOOTPLATE	



Pos	Qty	Stock Code	Description	Remark
1	1	1826749	POWER CTRL LEGREST C3G	
1	1	1828951	POWER CTRL LEGREST C3G	Only on M300/M400 chassis
2	1	1826512	ACTU RE25 156+150(stroke) 2xØ13,1 ICS	
2	1	1828950	ACTU RE25 156+150(stroke) 2xØ13,1 ICS	Only on M300/M400 chassis
3	1	600192-99-0	BOLT MC6S 6x12 fzb *	
4	1	612675-99-0	WASHER, ISO 7093-1 6,4x18x1,6 fzb	
5	1	601396-99-0	BOLT MC6S 10x 60 fzb *	
6	1	600241-99-0	WASH BRB 10.5x20x2 fzb *	
7	1	313794	Bush	
8	1	600229-99-0	LOCK NUT M10 FZB *	
9	1	319058	Outer tube	
10	1	319053	Adjustment bar	
11	1	602328-00-0	ADJ BOLT GN617 AK5	
12	1	1825617	Adjustment tube stroke 140mm	
13	1	1826750	MANUAL CTRL LEGREST C3G	
14	1	1825376	Screw kit	
15	1	1825616	Control cover	



Pos	Qty	Stock Code	Description	Remark
1	1	1830577	SEAT TILT	
2	1	316064	FRAME	
3	1	601225-99-0	CIRCLIP SgA 12 DIN471 *	
4	1	302679-99-0	SHAFT FRONT HINGE SEAT TILT	
5	1	308832	SHAFT	
6	1	600203-99-0	BOLT MC6S 8x 20 fzb *	
7	1	600239-99-0	WASH ISO 7089 8.4x16x1.6 Fe/Zn	
8	1	600228-99-0	LOCK NUT M8 FZB *	
9	1	602186-99-0	SLIDE BEAR 121425 F *	
10	1	600229-99-0	LOCK NUT M10 FZB *	
11	1	600241-99-0	WASH BRB 10.5x20x2 fzb *	
12	1	601231-99-0	BOLT MC6S 10x 55 fzb *	
13	1	316336	BODY	
15	1	315490	BELLOW	
16	1	602553	RUBBER BLOCK	
17	1	602376	HEX. SOCKET HEAD SCREW M8X80	
18	1	612953-00-0	CABLE CLIP	
19	1	1820414	SEAT TILT	
20	1	323157	Cable protection	
21	1	613029	Cable clip	
22	1	600188-99-0	Screw ISO 4762 M5x8 Fe/Zn	
23	1	612340	SCREW, M8x16 Fe/Zn DIN 7984	
24	1	302681-40-0	SEAT MOUNT SEAT TILT 30°/20° C CII	OBSOLETE ONCE ZERO INVENTORY
25	1	316341	FORK LINK	
26	1	600273-99-0	BOLT MC6S 8x 35 fzb *	
27	1	1820410	BOLT ISO 104642 M8x20 ESL *	
28	1	316069	ARM	
29	1	601177-99-0	BOLT MF6S 6x45 fzb	
30	1	600227-99-0	LOCK NUT M6 FZB *	
31	1	316441	BUSHING	
32	1	1823703	ACTUATOR	
33	1	600238-99-0	WASH BRB ISO 7089 6.4x12x1.6 fzb STD	
34	1	1823704	Cable	



Pos	Qty	Stock Code	Description	Remark
1	1	1826136	Seat Cushion Skai 420x420mm (17"x17")	
1	1	1826138	Seat Cushion Skai 420x520mm (17"x21")	
1	1	1826139	Seat Cushion Skai 470x420mm (19"x17")	
1	1	1826140	Seat Cushion Skai 470x470mm (19"x19")	
1	1	1826141	Seat Cushion Skai 470x520mm (19"x21")	
1	1	1826142	Seat Cushion Skai 520x420mm (21"x17")	
1	1	1826143	Seat Cushion Skai 520x470mm (21"x19")	
1	1	1826156	Seat Cushion Mesh Black 420x520mm (17"x21")	
1	1	1826158	Seat Cushion Mesh Black 470x470mm (19"x19")	
1	1	1826159	Seat Cushion Mesh Black 470x520mm (19"x21")	
1	1	1826160	Seat Cushion Mesh Black 520x420mm (21"x17")	
1	1	1826161	Seat Cushion Mesh Black 520x470mm (21"x19")	
1	1	1828584	SEAT CUSHION SKAI 470x470 (19"x19")	
1	1	1828585	SEAT CUSHION MESH - BLACK 470x470 (19"x19")	
1	1	1828586	SEAT CUSHION SKAI 470x520 (19"x21")	
1	1	1828587	SEAT CUSHION MESH - BLACK 470x520 (19"x21")	
1	1	1828588	SEAT CUSHION SKAI 520x470 (21"x19")	
1	1	1828589	SEAT CUSHION MESH - BLACK 520x470 (21"x19")	
1	1	1828590	SEAT CUSHION SKAI 520x520 (21"x21")	
1	1	1828591	Seat Cushion Mesh Black 520x520mm (21"x21")	
1	1	1828633	SEAT CUSHION SKAI 420x420 (17"x17")	
1	1	1828634	SEAT CUSHION MESH - BLACK 420X420 (17"X17")	
1	1	1828635	SEAT CUSHION SKAI 420x470 (17"x19")	
1	1	1828636	SEAT CUSHION MESH - BLACK 420x470 (17"x19")	
1	1	1828637	SEAT CUSHION SKAI 420x520 (17"x21")	
1	1	1828638	SEAT CUSHION MESH - BLACK 420x520 (17"x21")	
1	1	1828639	SEAT CUSHION SKAI 470x420 (19"x17")	
1	1	1828640	SEAT CUSHION MESH - BLACK 470x420 (19"x17")	
1	1	1828641	SEAT CUSHION SKAI 520x420 (21"x17")	
1	1	1828642	SEAT CUSHION MESH - BLACK 520x420 (21"x17")	
1	1	1828920	SEAT CUSHION ROHO 420X420 STRETCH FABRIC	
1	1	1828921	SEAT CUSHION ROHO 420X470 STRETCH FABRIC	
1	1	1828922	SEAT CUSHION ROHO 420X520 STRETCH FABRIC	
1	1	1828923	SEAT CUSHION ROHO 470X420 STRETCH FABRIC	
1	1	1828924	SEAT CUSHION ROHO 470X470 STRETCH FABRIC	
1	1	1828925	SEAT CUSHION ROHO 470X520 STRETCH FABRIC	
1	1	1828926	SEAT CUSHION ROHO 520X420 STRETCH FABRIC	
1	1	1828927	SEAT CUSHION ROHO 520X470 STRETCH FABRIC	
1	1	1828928	SEAT CUSHION ROHO 520X520 STRETCH FABRIC	
2	1	1829901	ROHO Comfort Cushion 15"	Incl. Velcro tape for mounting.
2	1	1829902	ROHO Comfort Cushion 17"	Incl. Velcro tape for mounting.
3	1	1825736	Thigh support kit	
4	1	321818	Support	
5	1	321827	Bracket Thigh support	
6	1	1826969	Plastic sleeve	
7	1	321487	Velcro tape W=30 L=245	
8	1	1826163	Trunk support Small kit	
8	1	1826164	Trunk support Large kit	
9	1	1826131	Trunk support Large/Left	
9	1	1826133	Trunk support Small/Left	
10	1	600743-99-0	BOLT MC6S 6x16 fzb *	
11	1	1826461	Nut	
12	1	1826132	Trunk support Large/Right	
12	1	1826134	Trunk support Small/Right	
13	1	322077	Velcro tape W=20 L=65	
14	1	322078	Velcro tape W=30 L=150	
15	1	1826165	Backrest cushion Skai 410x480mm (16"x19")	
15	1	1826166	Backrest cushion Skai 460x480mm (18"x19")	
15	1	1826167	Backrest cushion Skai 360x545-595mm (14x22--24")	
15	1	1826168	Backrest cushion Skai 410x545-595mm (16x22--24")	
15	1	1826169	Backrest cushion Skai 460x545-595mm (18x22--24")	
15	1	1826170	Backrest cushion Skai 360x620-670mm (14x25--27")	
15	1	1826171	Backrest cushion Skai 410x620-670mm (16x25--27")	
15	1	1826172	Backrest cushion Skai 460x620-670mm (18x25--27")	
15	1	1826173	Backrest cushion Mesh Black 360x480mm (14"x19")	
15	1	1826174	Backrest cushion Mesh Black 410x480mm (16"x19")	
15	1	1826175	Backrest cushion Mesh Black 460x480mm (18"x19")	
15	1	1826176	Backrest cushion Mesh Black 360x545-595mm (14"x22-24")	
15	1	1826177	Backrest cushion Mesh Black 410x545-595mm (16"x22-24")	
15	1	1826178	Backrest cushion Mesh Black 460x545-595mm (18"x22-24")	
15	1	1826179	Backrest cushion Mesh Black 360x620-670mm (14"x25-27")	
15	1	1826180	Backrest cushion Mesh Black 410x620-670mm (16"x25-27")	
15	1	1826181	Backrest cushion Mesh Black 460x620-670mm (18"x25-27")	
15	1	1826200	Backrest cushion Skai 360x480mm (14"x19")	
15	1	1828722	Backrest cushion Mesh Black 510x545-595mm (20"x22-24")	
15	1	1828723	Backrest cushion Mesh Black 510x620-670mm (20"x25-27")	
15	1	1828724	Backrest cushion Skai 510x545-595mm (20x22--24")	
15	1	1828725	Backrest cushion Skai 510x620-670mm (20x25--27")	
15	1	1828726	Backrest cushion Mesh Black 510x480mm (20"x19")	
15	1	1828727	Backrest cushion Skai 510x480mm (20"x19")	
16	1	1826130	Lumbar support	

Ordering information

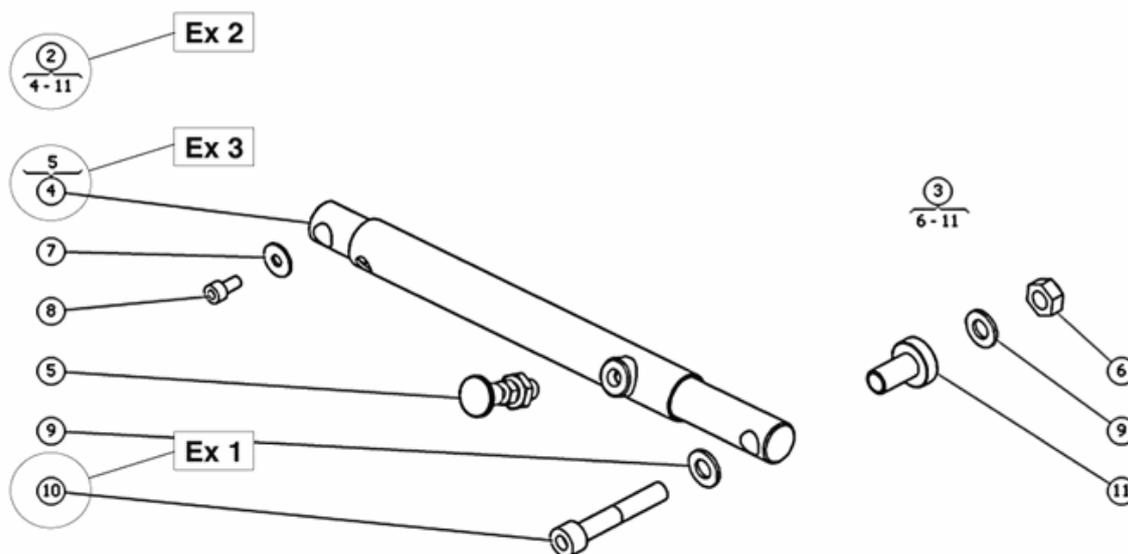
When you order spare parts, the following must always be specified:

- The product model (for example, power wheelchair C300).
- The description of the part. Always use the description used in this catalog.
- The entire part number.
- The quantity.

NB! In some cases, parts appear in the spare part catalog without a part number. This means that the part cannot be ordered from Permobil. We have, however, chosen to describe it for your information. Standard components such as screws, nuts, washers and similar parts can be purchased in an ordinary shop using the information in this catalog.

Parts

A part consists of one or more parts. If a part consists of several parts, a bracket in connection with the part's item bubble is used to show the parts included in the part in the exploded views. See examples 1, 2 and 3.



Example 1:

Position 10 refers to a single part, a screw.

Example 2:

Position 2 is a spare part consisting of the positions from 4 to 11.

Example 3:

Position 4 is an article that also includes position 5. In these cases the article or articles which referred to in the bracket, are pre-assembled on the main article (position 4).

Notes

A series of horizontal dashed lines for writing notes.

Spare Parts Catalog

CONTACT PERMOBIL:

Permobil AB

Box 120

861 23 Timrå

Sverige

Tel: 060-59 59 00

Fax: 060-57 52 50

E-post: info@permobil.se

Permobil Inc. USA

300 Duke Drive

Lebanon, TN 37090

USA

Phone: 800-736-0925

Fax: 800-231-3256

Email: info@permobilusa.com

Permobil AS

Industriveien 16

Postboks 60

1483 Hagan Norge

Tlf. 815 30 077

Fax. 815 33 655

E-post: firmapost@permobil.no

Permobil Benelux BV

De Beitel 11

6466 GZ Kerkrade

Nederland

Tel: +31 (0)45 564 54 80

Fax: +31 (0)45 564 54 81

Email: info@permobil.nl



permobil
THE POWER OF MOBILITY