

SPARE PART CATALOG

Corpus

for C350

Seating system for Permobil power wheelchair



Corpus

Spare Part Catalog
Reservdelskatalog

CONTACT PERMOBIL:

Permobil AB

Box 120
861 23 Timrå
Sverige
Tel: 060-59 59 00
Fax: 060-57 52 50
E-post: info@permobil.se

Permobil Inc. USA

6961 Eastgate Blvd.
Lebanon, TN 37090
USA
Phone: 800-736-0925
Fax: 800-231-3256
Email: info@permobilusa.com

Permobil AS

Hvamsvingen 22
2013 Skjetten
Norge
Tlf. 48 12 90 00
Fax. 63 84 48 50
E-post: firmapost@permobil.no

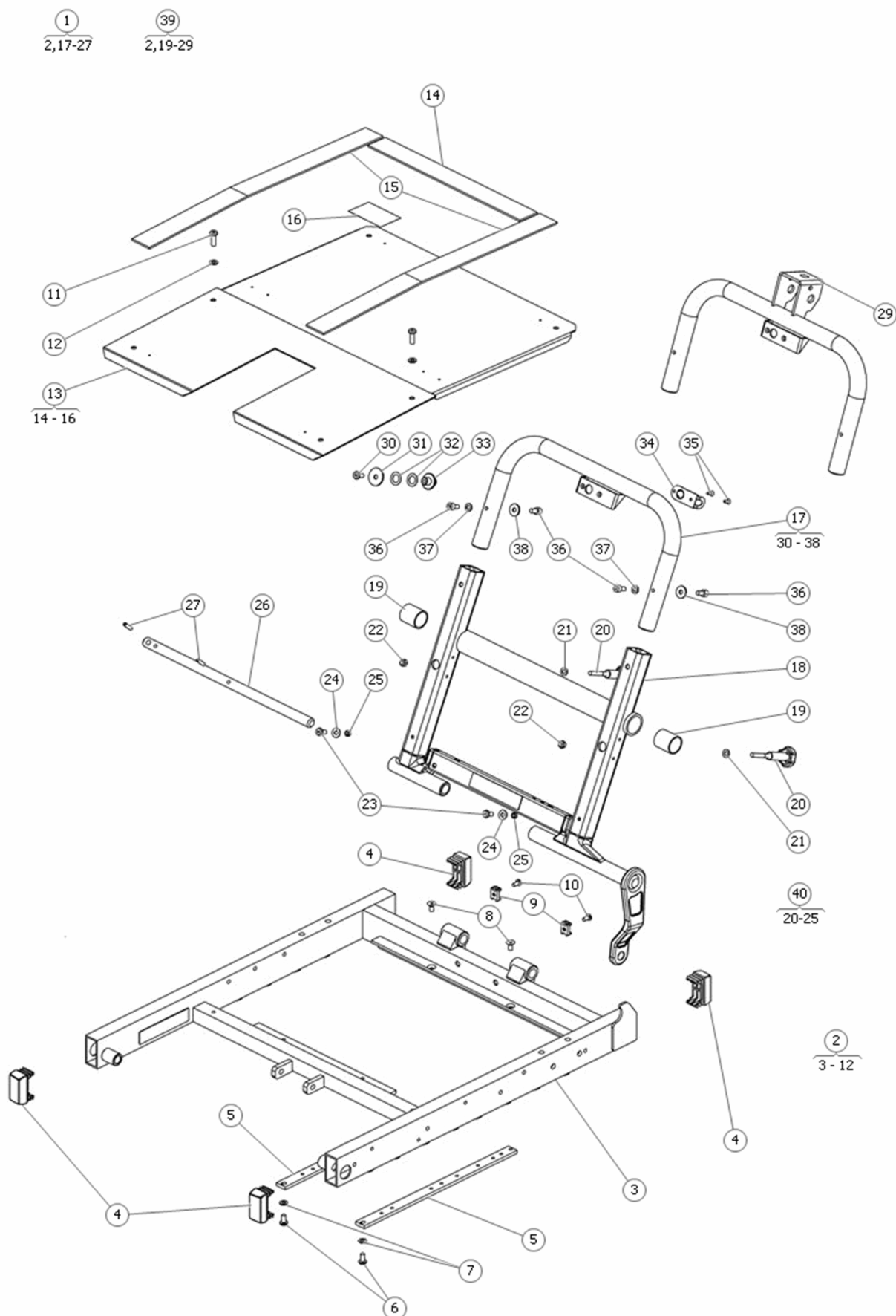
Permobil Europe BV

De Doom 22
NL-6419 CX Heerlen
Netherlands
Tel: +31 (0)45 564 54 90
Fax: +31 (0) 45 564 54 91
Email: europe@permobil.nl

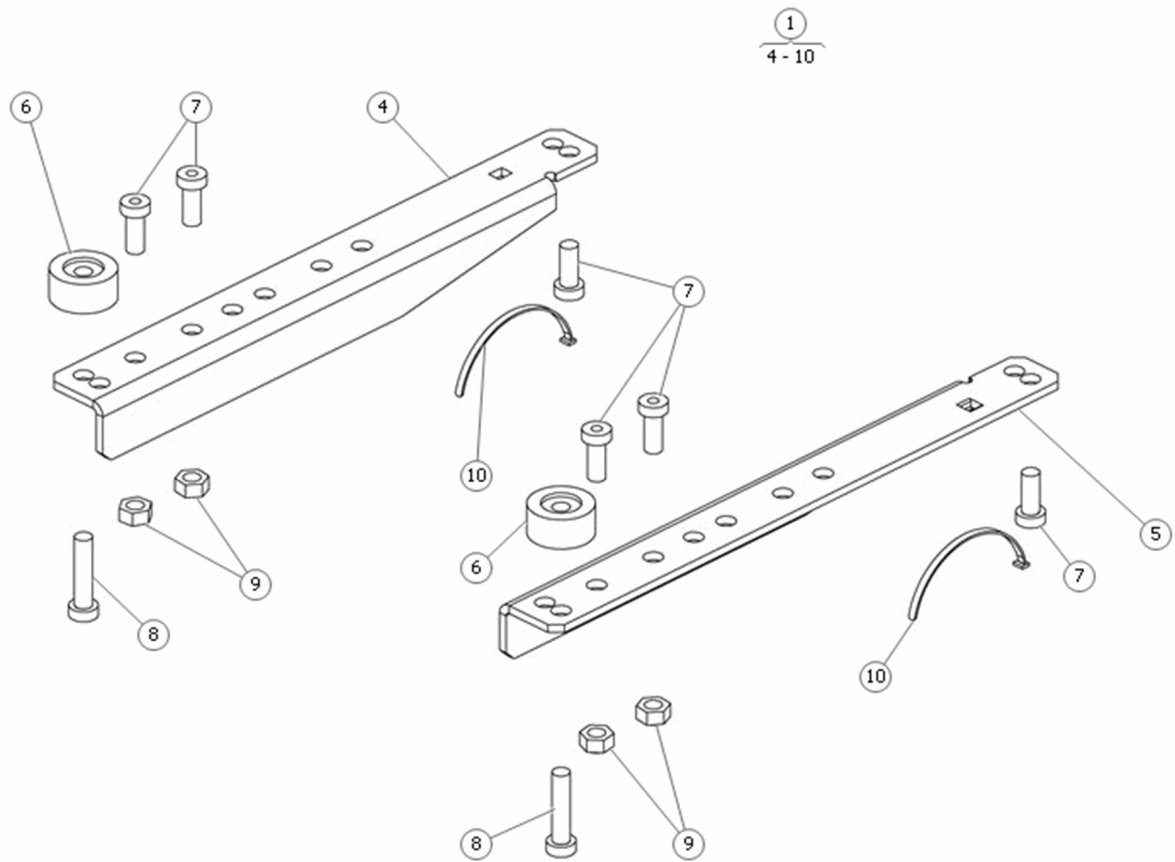
Produced and published by Permobil AB, Sweden
Edition no. 1, 2009-02
PAB: 1262-1

Contents	Page
Seat frame.....	6 - 7
Seat mounting kit	8 - 9
Seat extensions.....	10 - 11
Tilt 30° and 45°	12 - 13
Backrest	14 - 15
Backrest recline options	16 - 17
Armrest	18 - 19
Panelholders	20 - 21
Cushions	22 - 23
Legrest	24 - 25
Legrest recline options	26 - 27
R-net Electronics.....	28 - 29
VR2 Electronics.....	30 - 31
Ordering Information (English)	32 - 33
Ordering Information (Swedish)	34 - 35

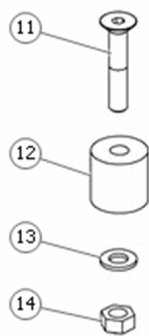
Innehåll	Sida
Sitsram	6 - 7
Sitsmonteringssats	8 - 9
Sitsförstoring/förkortning	10 - 11
Sitslutning 30° och 45°	12 - 13
Ryggstöd	14 - 15
Ryggstöds regleringar	16 - 17
Armstöd	18 - 19
Panelhållare	20 - 21
Dyner	22 - 23
Benstöd	24 - 25
Benstöds regleringar	26 - 27
R-net elektronik	28 - 29
VR2 elektronik	30 - 31
Beställningsinformation (engelsk)	32 - 33
Beställningsinformation (svensk)	34 - 35



Pos	Qty	Stock Code	Description	Remark
1	1	305500-28-UD-0	SEAT FRAME CII	
2	1	301573-28-0	SEAT FRAME CII	
2	1	301573-38-0	SEAT FRAME C II	
3	1		FRAME	
4	4	1821420	PLAST.PLUG SEATFRAME CII	
5	2		BRACKET	
6	2	601353-99-0	BOLT K6S 5x10 fzb	
7	2	600237-99-0	WASH BRB 5.3x10x 1 fzb	
8	1	601708-99-0	BOLT MF6S 5x10 fzb	
9	2	601204-99-0	CABLE TIE HOLD TM 2 S8	
10	2	601436-99-0	BOLT MRX-TT-Z 4x8 fzb	
11	2	601170-99-0	BOLT K6S 5x16 fzb	
12	2	600237-99-0	WASH BRB 5.3x10x 1 fzb	
13	1	305188-28-0	SEAT PLATE MOVEABLE CII	
13	1	305188-38-0	SEAT PLATE MOVEABLE CII	
14	1060	600587-99-0	VELCRO HOOK SELF.ADHES	
15	1060	600587-99-0	VELCRO HOOK SELF.ADHES	
16	1		DEKAL	
17	1	306072-28-0	BACKR REINFORCEMENT V.2	
18	1	1822200	BACKREST HINGE CII	Use for R-net & VR2 chairs.
18	1	305196-28-0	BACKR HINGE CII	Use for Pilot+ & earlier chairs.
19	2	601844-99-0	SLIDE BEAR 202325 A	
20	2	306387-00-0	STAR HANDLE BACKR CII	
21	2	600842-99-0	WASH BRB 5.3x12x 1 fzb	
22	2	600226-99-0	LOCK NUT M5 FZB	
23	2	601353-99-0	BOLT K6S 5x10 fzb	
24	2	600237-99-0	WASH BRB 5.3x10x 1 fzb	
25	2	306081-99-0	SPACER 3 Y 7/5	
26	1	302521-99-0	SHAFT BACKREST HINGE CII	
27	2	601124-99-0	EXPANDER PIN FRP 4x16	
29	1	309016-28-0	BACKR HINGE MID.MOUNT CII	For use with Co-Pilot
30	1	601353-99-0	BOLT K6S 5x10 fzb	
31	1	601935-99-0	WASH SRKB 5.5x22x1.5	
32	2		SHIM WASHER 10x16x0.5 DIN 988	
33	1	306068-99-0	QUICK LOCK PIN BACK CII	
34	1	601375-99-0	QUICKLOCK SERIE 1500	
35	2	601972-99-0	DUMMY RIVET TAP/K 44 BS	
36	4	600189-99-0	BOLT MC6S 5x10 fzb	
37	2	600237-99-0	WASH BRB 5.3x10x 1 fzb	
38	1	612857-99-0	WASHER 5.3x15x1 FZB ISO	
39	1	309040-28-UD-0	SEAT CII FRAME KIT	
40	1	306790-99-0	BOLT KIT BACK CII	



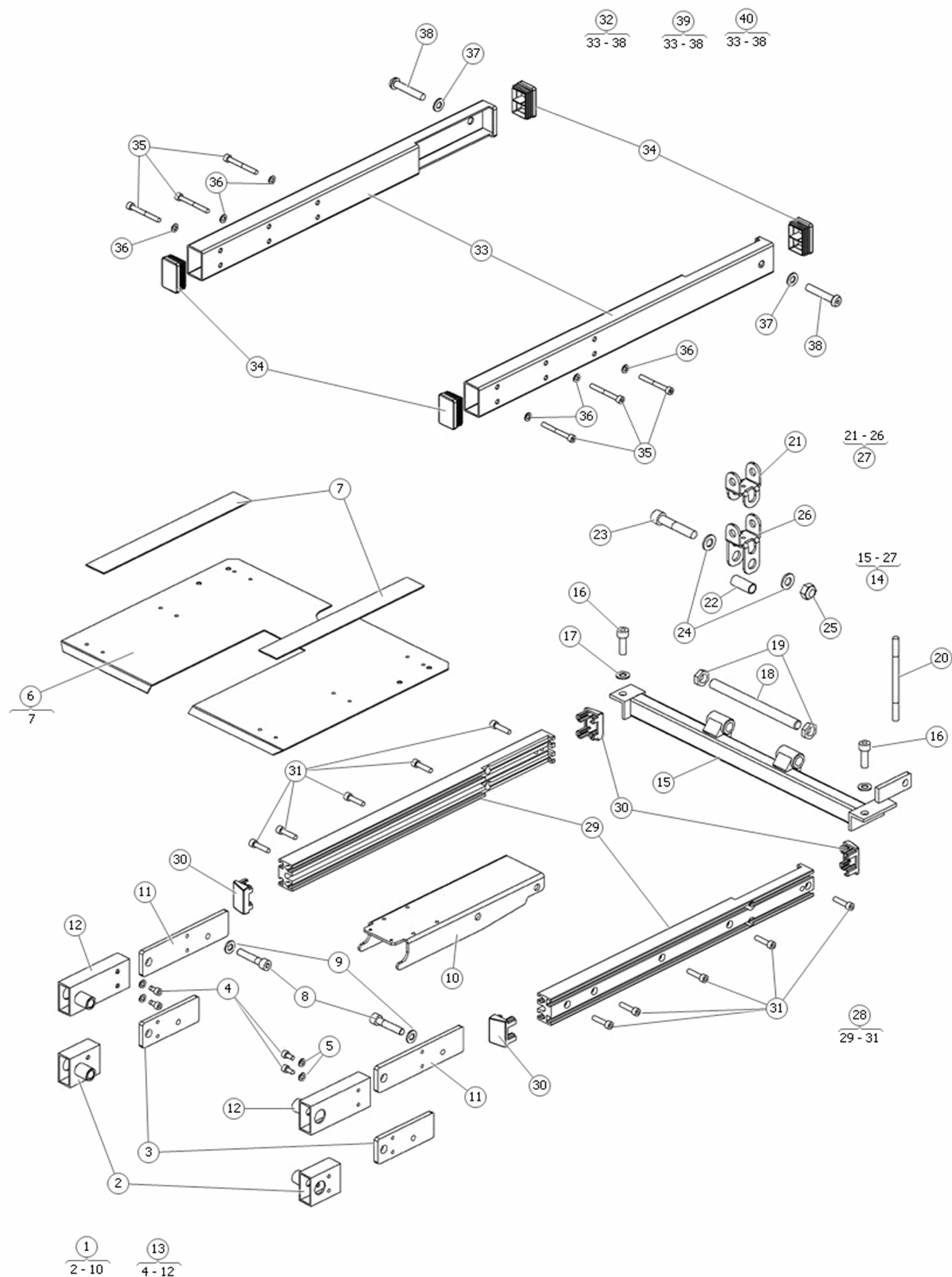
①
4 - 10



②
11 - 14

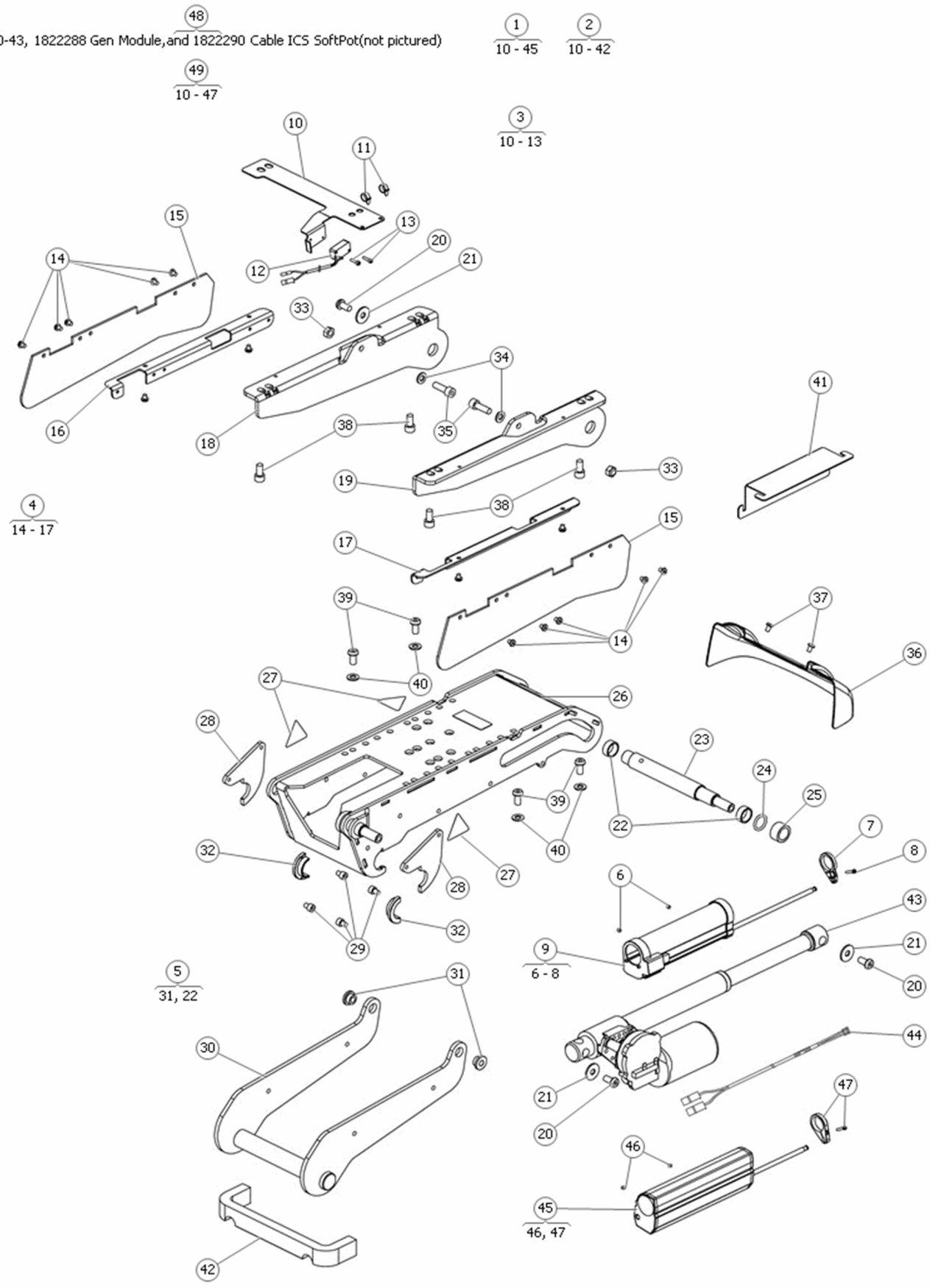
③
13 - 15

Pos	Qty	Stock Code	Description	Remark
1	1	303595-99-0	MOUNT.SET CORPUS M90 S90	
2	1	310238-99-0	INSTAL KIT LOW CH2k	
3	1	310239-99-0	INSTALL KIT HIGH CH2k	
4	1		PLATE, RIGHT	
5	1		PLATE, LEFT	
6	2		SPACER	
6	2		SPACER Ø30/8.2/15	
7	6		USE 601450-99-0 BOLT MLC6S 8x20 fzb	
7	6	601450-99-0	BOLT MLC6S 8x30 fzb	
8	2	601947-99-0	BOLT MLC6S 8x35 fzb	
9	4	600228-99-0	LOCK NUT M8 FZB	
10	2	600136-00-0	CABLE TIE SST1M 2.4x102	
11	4	601926-99-0	BOLT MF6S 8x50 fzb	
12	4		SPACER, 8,2x25x25	
13	4	600239-99-0	WASHER BRB 8.4X16 FZB	
14	4	600228-99-0	LOCK NUT M8 FZB	
15	4	600744-99-0	BOLT MF6S 8x25 fzb	

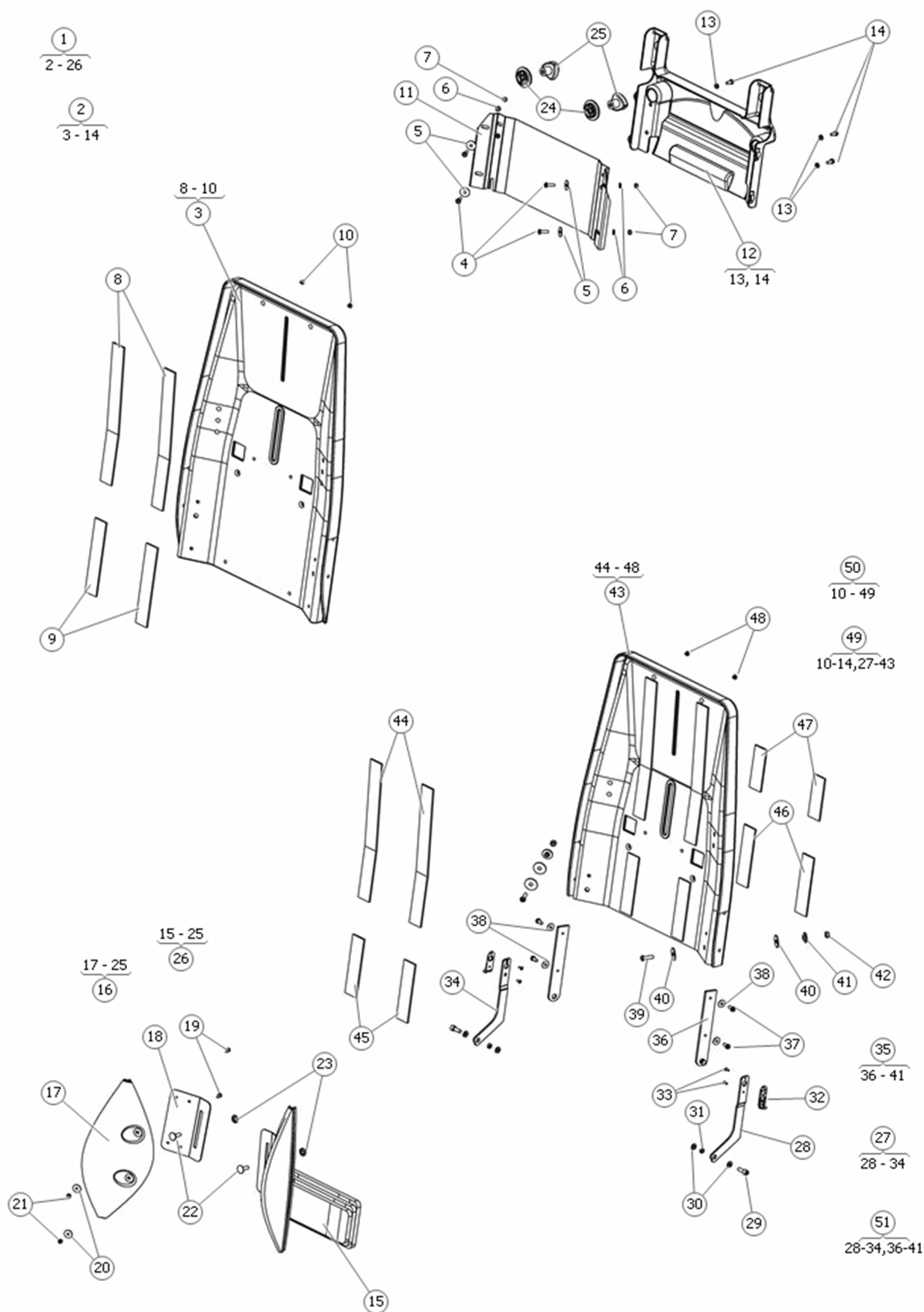


Pos	Qty	Stock Code	Description	Remark
1	1	305255-28-0	SEAT EXT +50 CII	
2	2	303169-28-0	SEAT EXT SECTION +50 CII	
3	2		PLATE	
4	4	600189-99-0	BOLT MC6S 5x10 fzb	
5	4	600237-99-0	WASH BRB 5.3x10x 1 fzb	
6	1	305247-28-0	SEAT PLATE EXT +50/+100	
7	2	600587-99-0	VELCRO HOOK SELF.ADHES	
8	2	600274-99-0	BOLT MC6S 8x 40 fzb	
9	2	600239-99-0	WASHER BRB 8.4X16 FZB	
10	1	305235-99-0	SLIDE BAR FOOT/LEGREST	+50
10	1	305236-99-0	SLIDE BAR FOOT/LEGREST	+100
11	2		PLATE	
12	2	303172-28-0	SEAT EXT SECTION +100 CII	+100
12	2	309254-28-0	SEAT EXT KIT +100 HD	+100
13	1	305260-28-UD-0	SEAT EXTENSION KIT +100	
14	1	305265-28-0	SEAT REDUC -50 PLG ARMR	
15	1		SEAT REDUC	
16	2	600499-99-0	BOLT MC6S 8x 25 fzb	
17	2	600239-99-0	WASHER BRB 8.4X16 FZB	
18	1		BAR, M12	
19	2	600759-99-0	NUT ML6M 12x1.5 fzb	
20	1	303716-99-0	BOLT PS 8x115 fzb	
21	1		BRACKET	
22	1	302330-99-0	ACTUATOR BUSSING 30MM	
23	1	601231-99-0	BOLT MC6S 10x 55 fzb	
24	2	600241-99-0	WASH BRB 10.5x20x2 fzb	
25	1	600229-99-0	LOCK NUT M10 fzb ISO 7040	
26	1		BRACKET	
27	1	308594-99-0	ACTU.BRACK.LOWER SEAT	
28	1	1822380	BAR UNITRAC CII STD	
28	1	1822381	BAR UNITRAC CII +50	
28	1	1822382	BAR ACCESSORIE UNITRAC	
28	1	1822383	BAR ACCESSORIE UNITRAC	
28	1	1822384	BAR ACCESSORIE UNITRAC	
28	1	1822385	BAR ACCESSORIE UNITRAC	
29	2		WIDE TRACK (+50)	
30	4	1824302	PLASTPL 25x40	
31	10	600195-99-0	BOLT MC6S 6x25 fzb	
32	1		SEAT WIDE +50	
33	2		TUBE	
33	2		TUBE	
33	2		TUBE	
34	4	601896-00-0	PLAST PLUG VL 40x25	
35	6	602362-99-0	BOLT MC6S 5x45 fzb	
36	6	600237-99-0	WASH BRB 5.3x10x 1 fzb	
37	2	601884-99-0	BOLT K6S 8x45 fzb	
38	2	600239-99-0	WASHER BRB 8.4X16 FZB	
39	1		SEAT WIDE +50/L=+50	
40	1		SEAT WIDE +50/L=+100	

ICS= 10-43, 1822288 Gen Module, and 1822290 Cable ICS SoftPot(not pictured)

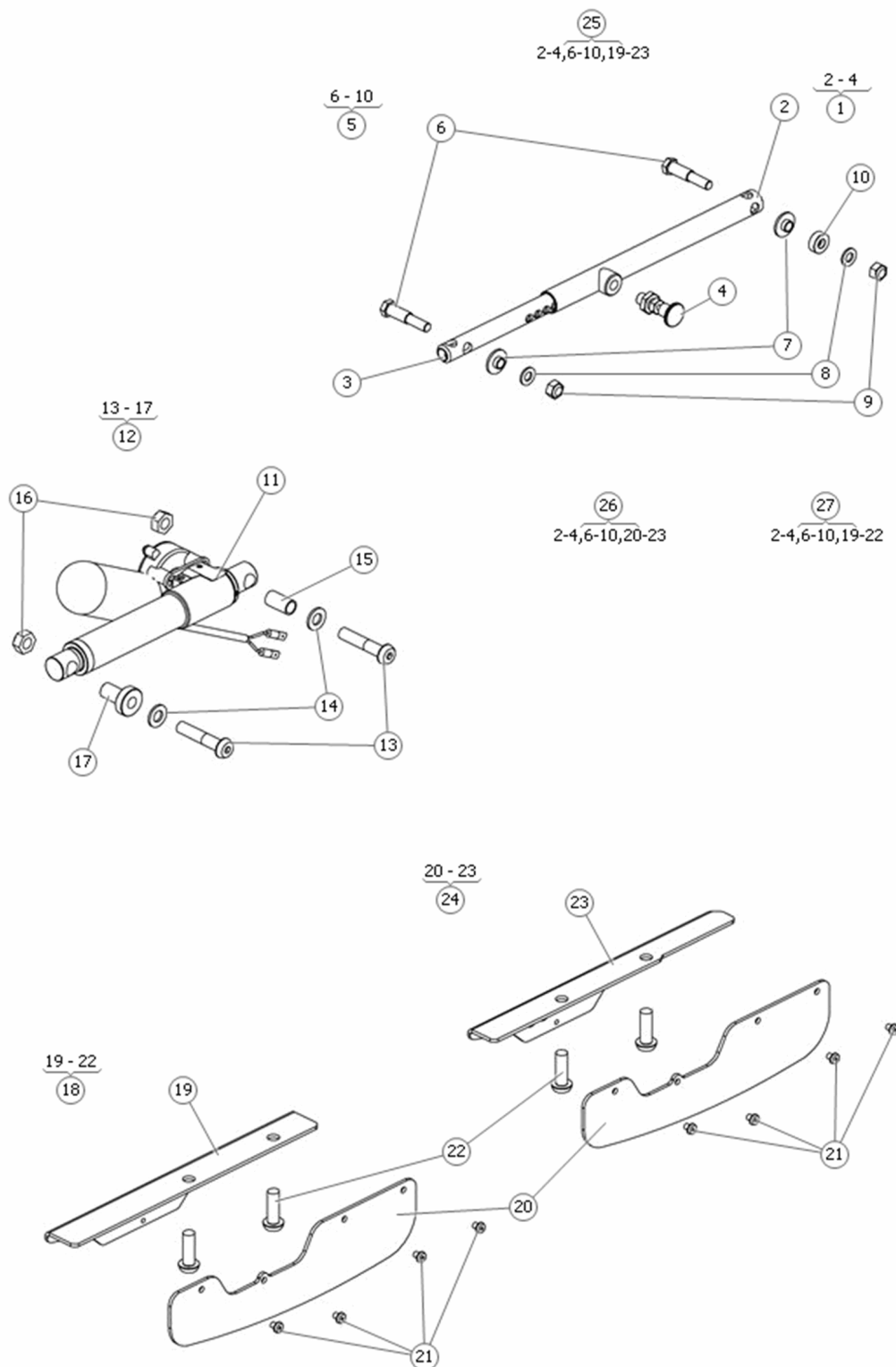


Pos	Qty	Stock Code	Description	Remark
1	1	1820429	SEAT TILT 45° C300	Tilt 45°
1	1	1824004	SEAT TILT 30° EL TS-SEAT	Tilt 30°
2	1	1824003	SEAT TILT C300/C350 WIT-	
3	1	314351-99-0	CABLE SET SWITCH TILT	
4	1	1820432	SAFETY DEVICE SEAT TILT	
5	1	1825440	BEARING TILT C300/350 SPA	
6	1	600212-99-0	SET SCREW SK6SS 4x4	
7	1	1824951	CLAMP SWITCH SOFTPOT C350	
8	1		TAPPING SCREW, 3x16 Fe/Zn	
9	1	1826368	POSITION SENSOR 150mm SOF	ICS
10	1		BRACKET	
11	2		CABLE TIE	
12	1	1824177	CABLE LOWER END STOP TILT	
13	1	601460-99-0	BOLT MC6S 3x12 fzb	
14	14		SKRUV ISO 7380 M5x6 *	
15	2		SQUEEZE GUARD	
16	1		SQUEEZE GUARD BRACKET RIGHT	
17	1		SQUEEZE GUARD BRACKET LEFT	
18	1		SEATBRACKET RIGHT	
19	1		SEATBRACKET LEFT	
20	1	601404-99-0	BOLT K6S 8x16 fzb	
21	1		WASHER, 8,4x24x2 Fe/Zn ISO 7093-1	
21	1		WASHER, 8,4x24x2 Fe/Zn ISO 7093-1	
22	1	1820434	BEARING SEAT TILT C300	OBSOLETE WHEN ZERO INVENTORY
22	2		BEARING	
23	1		SHAFT	
24	1		RUBBER RING	
25	1		SPACER	
26	1		BOX	
27	3	313891-99-0	DECAL TILT WARNING	
28	2		SHACKLE	
29	4	600888-99-0	BOLT MC6S 6x10 fzb	
30	1		SLEWING BRACKET	
31	1	1823932	BEARING	
32	2		BEARING	
33	2	600228-99-0	LOCK NUT M8 FZB	
34	2	600239-99-0	WASHER BRB 8.4X16 FZB	
35	2	600499-99-0	BOLT MC6S 8x 25 fzb	
36	1	1820433	COVER SEAT TILT C300	
37	2	600740-99-0	BOLT K6S 5x 8 fzb	
38	4	600590-99-0	BOLT MC6S 8x 16 fzb	
39	1	601404-99-0	BOLT K6S 8x16 fzb	
40	4	600239-99-0	WASHER BRB 8.4X16 FZB	
41	1		PLATE	
42	1	1824097	SAFETY DEVICE FRONT COVER	
43	1	612871-99-0	ACTU LA30 150-24	For use with Pilot+, R-net, VR2 and VSI
44	1	305677-00-0	CABLE LINEAR ACTU. CONTR.	
45	1	1820435	LIMITSW KIT SEAT TILT -	45° limit
45	1	1824002	CABLE SEAT TILT 30° DRIVE	30° limit
46	2		SETSCREW, M4x4 DIN 916	NOT AVAILABLE
47	1	601889-99-0	CLAMP LIMITSWITCH	
48	1	1824708	SEAT TILT 45° SOFT POT	
49	1	1820429	SEAT TILT 45° C300	

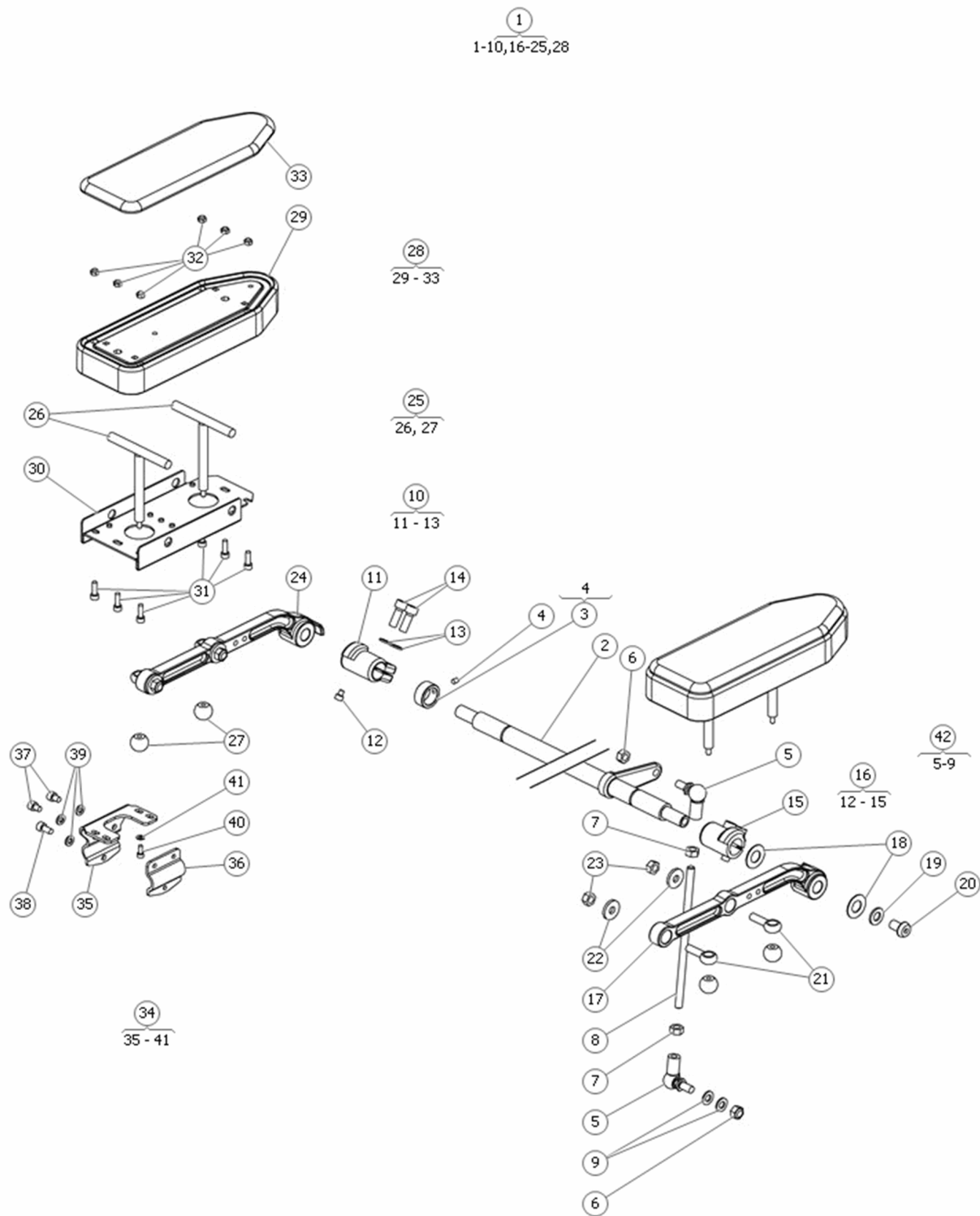


Pos	Qty	Stock Code	Description	Remark
1	1	303892-00-0	BACKREST CORPUS +10 BLACK	
1	1	305300-00-UD-0	BACKREST KIT C II	
1	1	305480-00-UD-0	BACKREST KIT NARROW -50	
1	1	305480-00-UD-0	BACKREST KIT NARROW -50	
1	1	305490-00-90-0	BACKREST KIT WIDE +50 CII	
1	1	305490-00-UD-0	BACKREST KIT WIDE +50 CII	
1	1	310027-00-0	BACKR KIT SHORT NARROW-50	
1	1	310030-00-0	BACKR KIT SHORT CII	
1	1	310033-00-0	BACKR KIT SHORT WI +50	
2	1	303892-00-0	BACKREST CORPUS +10 BLACK	
2	1		BACKREST KIT 450x615	
2	1		BACKREST KIT 400x545	
2	1		BACKREST KIT 450x545	
2	1		BACKREST KIT 400x615	
3	1	303636-00-0	BACKREST CII	
3	1	303892-00-0	BACKREST CORPUS +10 BLACK	
3	1	305385-00-0	BACKR NARROW CII	
3	1	305545-00-0	BACKREST WIDE +50 CII	
3	1	305545-15-0	BACKR WI +50 CII	
3	1	310029-00-0	BACKR SHORT NARROW-50	
3	1	310032-00-0	BACKR SHORT CII	
3	1	310035-00-0	BACKR SHORT WI +50 CII	
4	4	601170-99-0	BOLT K6S 5x16 fzb	
5	4	600867-99-0	WASH NB 5x19x1 fzb	
6	4	600237-99-0	WASH BRB 5.3x10x 1 fzb	
7	4	600226-99-0	LOCK NUT M5 FZB	
8	2		VELCRO TAPE L=300	
9	2		VELCRO TAPE L=170	
10	2		PLASTIC PLUG Ø9x5,2 (Ø4,4)	
11	1	305199-40-0	BACKR PLATE SLIDE CII	
11	1	305251-40-0	BACKR PLATE CII	
11	1	305256-40-0	BACKR PLATE NARROW CII	
11	1	305360-40-0	BACKR PLATE WI CII	
11	1		BACKR PLATE SLIDE +50	
12	1	306363-00-0	COVER BACKREST CII	
13	4	600237-99-0	WASH BRB 5.3x10x 1 fzb	
14	4	601159-99-0	BOLT K6S 5X12 FZB	
15	1	306396-99-0	LUMBAR SUPPORT CII	
16	1	306400-00-0	LATERAL SUPPORT V2 wide=	
16	1	306424-00-0	LATERAL SUPPORT V2 wide=	
17	2		LAT SUPP PLASTIC HVII VII VIII CII	
17	1		LAT SUPP PLASTIC HVII VII VIII CII	
18	1		BRACKET LAT.SUPP V.2 CII HVII VII VIII	
18	1	306405-99-0	BRACKET WI.BACK LAT.SUPP	
19	4	601187-99-0	BOLT K6S 4x10 fzb	
20	4	601974-99-0	WASH BRB 4.3x16x 1 fzb	
21	4	600225-99-0	LOCK NUT M4 FZB	
22	2	601882-99-0	BOLT MVBFB 6x20 H fzb	
23	1	601386-99-0	LOCK WASH S-LOCK 6x15.3	
24	2		WASH LAT SUPP V.2 CII HV V VIII	
25	2	306387-00-0	STAR HANDLE BACKR CII	for the new cover (electronics inside)
25	2	601943-99-0	STAR HANDLE VTR.40 B-M6	
26	1		ERGO KIT 400	
26	1		ERGO KIT 480	
27	1		INSTALL ASSEMBLY	
28	1		PLATE LEFT	
29	2	600743-99-0	BOLT MC6S 6x16 fzb	
30	4	600238-99-0	WASHER BRB 6.4X12 FZB	
31	2	304815-99-0	BUSHING Y 9	
32	2	601375-99-0	QUICKLOCK SERIE 1500	
33	4	601972-99-0	DUMMY RIVET TAP/K 44 BS	
34	1		PLATE RIGHT	
35	1		INSTALL ASSEMBLY	
36	2		LOCK	
37	4	601159-99-0	BOLT K6S 5X12 FZB	
38	1	612857-99-0	WASHER 5,3x15x1 FZB ISO	
39	2	601370-99-0	BOLT K6S 6x20 fzb	
40	4	601939-99-0	WASH SRKB 7x25x1,5 fzb	
41	2	305268-99-0	SPACER LOWER BACKR SLIDE	
42	2	600227-99-0	LOCK NUT M6 FZB	
43	1	305191-00-0	BACKR SLIDE CII	SHELL ONLY 16" SLIDING BACK
43	1	305389-00-0	BACKR WI+50 SLIDE CII	SHELL ONLY 18" SLIDING BACK
43	1	311107-00-0	BACKR.EX.LOW STD SLIDE	Height = 410 mm, standard, sliding back.
43	1	311109-00-0	BACKR.EX.LOW WIDE CII	Height = 410 mm, wide, sliding back.
44	2		VELCRO TAPE L=300	
45	2		VELCRO TAPE L=125	
46	2		VELCRO TAPE L=125	
47	2		VELCRO TAPE L=90	
48	2		PLASTIC PLUG Ø9x5,2 (Ø4,4)	
49	1		BACKREST KIT 400x545	
49	1		BACKREST KIT 450x545	
50	1	305200-00-80-0	BACKR KIT SLIDE CII	
50	1	305200-00-90-0	BACKR KIT SLIDE	

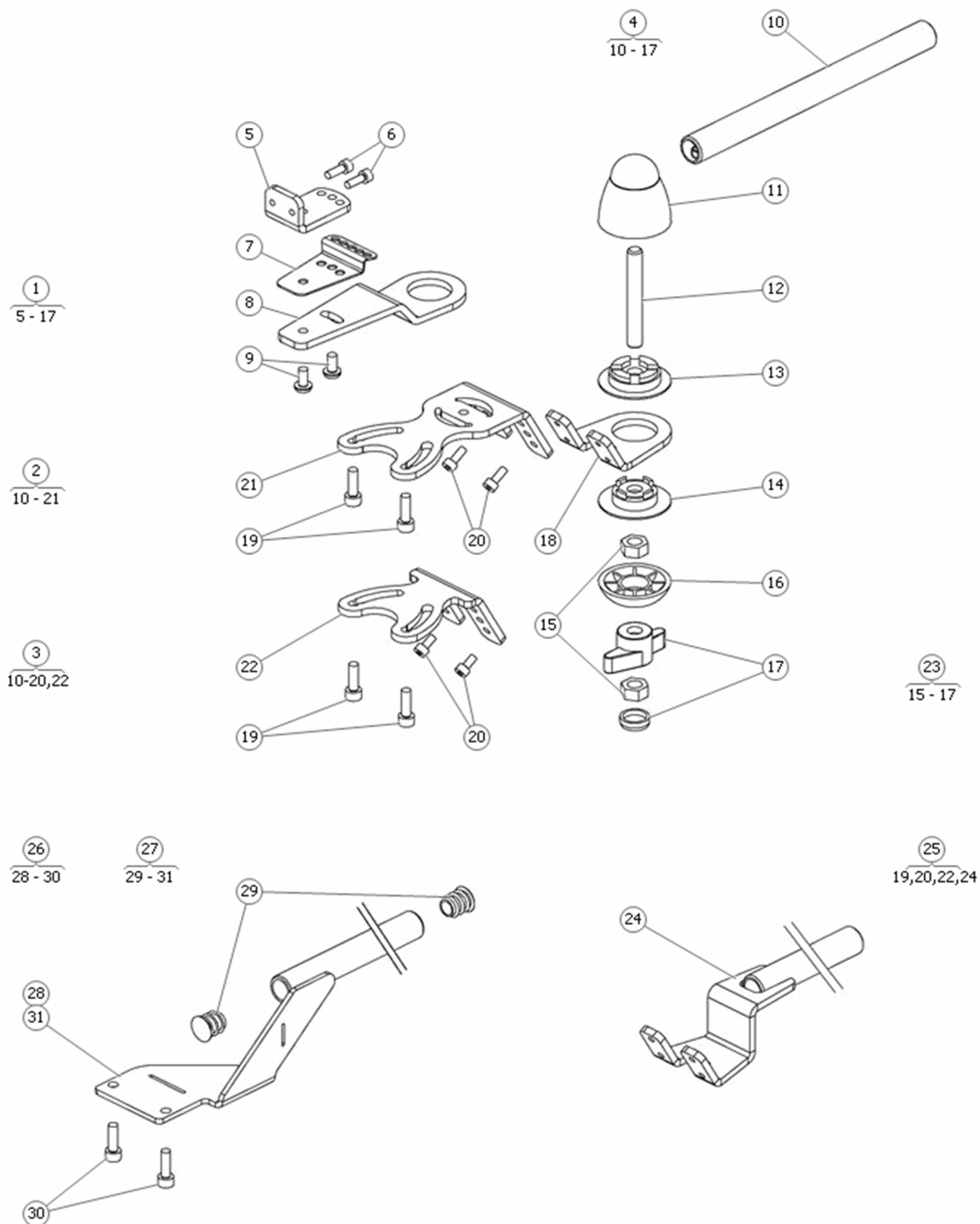
Pos	Qty	Stock Code	Description	Remark
50	1	305200-00-UD-0	BACKREST KIT SLIDE	
50	1	305252-00-80-0	BACKR KIT WI +50 SLIDE	
50	1	305252-00-90-0	BACKR KIT WI +50 SLIDE	
50	1	305252-00-UD-0	BACKRESTKIT WIDE SLIDE	
51	1	1828886	INSTALL KIT BACKR SLIDE C	



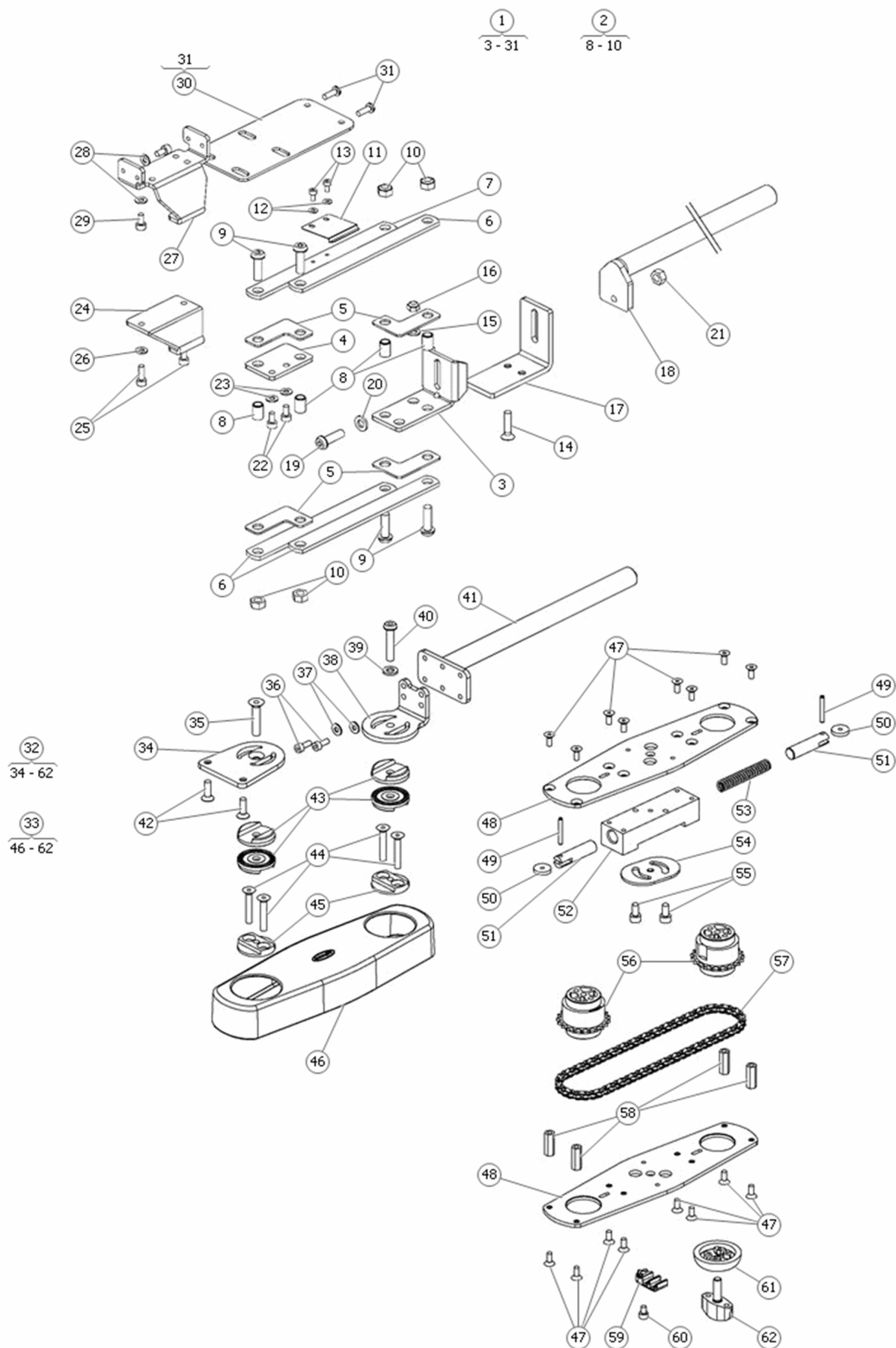
Pos	Qty	Stock Code	Description	Remark
1	1	312853-40-0	TUBE ADJUST MAN CTRL LEG-	
2	1		OUTER TUBE	
3	1		INNER TUBE	
4	1	602328-00-0	ADJ BOLT GN617 AK5	
5	1	1825154	INSTALL ASSY MAN CTRL	
6	2		LINK BOLT	
7	2		BUSHING	
8	2	600239-99-0	WASHER BRB 8.4X16 FZB	
9	2	600228-99-0	LOCK NUT M8 FZB	
10	1		SPACER	
11	1	1823438	CTRL PWR BACK ICS C300,	
11	1	612805-99-0	ACTU RE25.4.100M4 C31	
12	1	1823437	BOLT KIT CTRL PWR BACK	
13	2		SCREW ISO 7380 M10x50 Fe/Zn	
14	2	601363-99-0	WASH BRB 10.5x18x2 fzb	
15	1	1825219	SPACER ACTU L=24 Ø13x1.25	
16	2	600229-99-0	LOCK NUT M10 fzb ISO 7040	
17	1	1827729	BUSH ACTUATOR MAN BACKR	
17	1		BUSHING	
18	1	1822386	BRACKET ACTUATOR BACKREST	
19	1		BRACKET	
20	1		SQUEEZE GUARD	
21	4		SKRUV ISO 7380 M5x6 *	
22	1		BOLT K6S 10x30 fzb	
23	1		BRACKET	
24	1	1821631	BRACKET ACTU BACK C300	
24	1	1822386	BRACKET ACTUATOR BACKREST	
25	1	1820538	CTRL MAN BACK CII C300	As described on this catalog page
25	1	1824609	CTRL MAN BACK INCL EL-KIT	Incl. electronics for reclain control
26	1	1820538	CTRL MAN BACK CII C300	
27	1	1824609	CTRL MAN BACK INCL EL-KIT	Not pictured with these items which are also include...



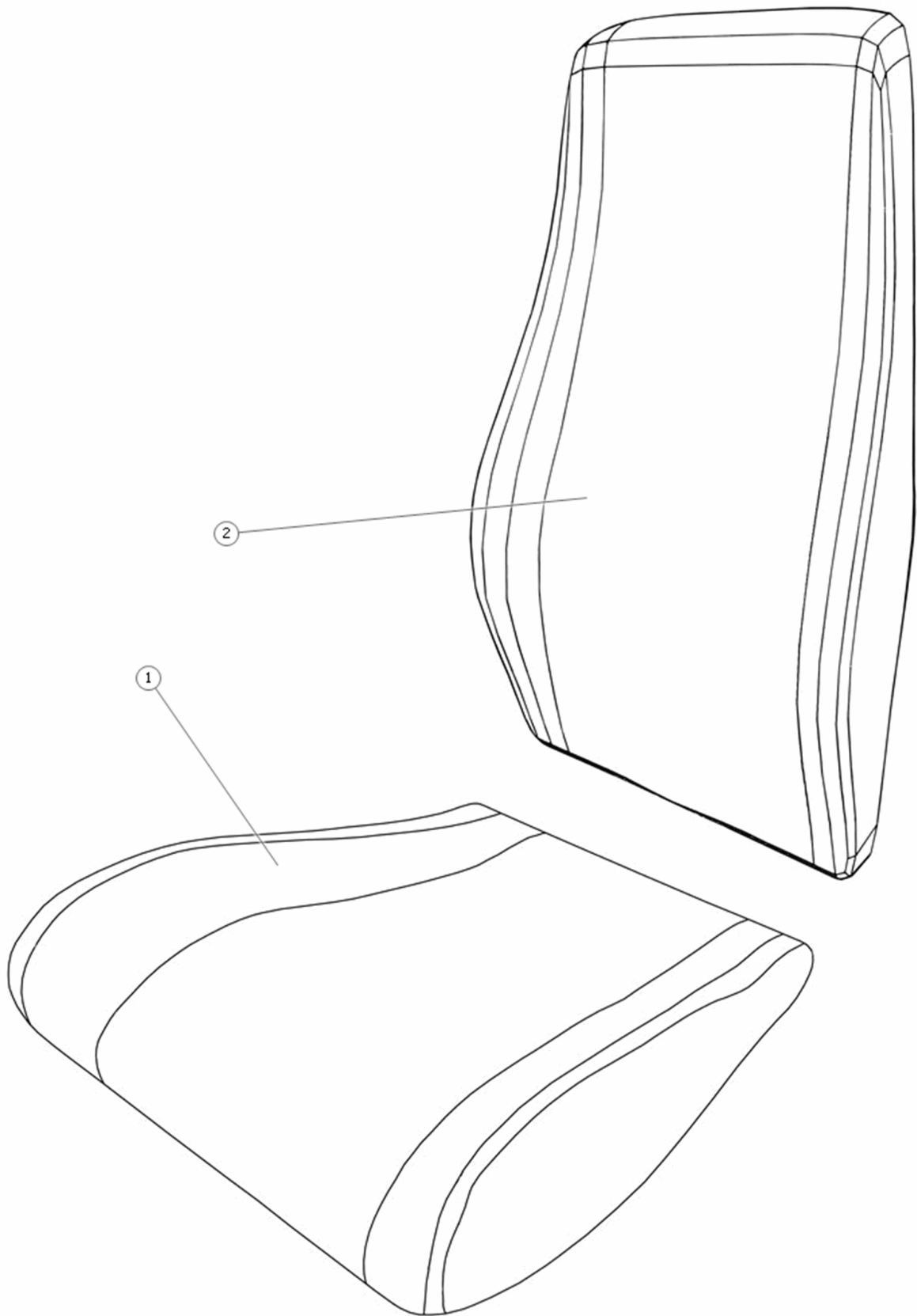
Pos	Qty	Stock Code	Description	Remark
1	1	305267-28-0	ARMREST KIT	
1	1	305267-28-0	ARMREST KIT	
1	1	305267-38-0	ARMREST RECLINING 35/40CM	
1	1	305618-28-0	ARMREST KIT PLG +50 CII	
2	1	1826388	SHAFT ARMREST PLG +100	
2	1	302722-99-0	ARMSUPPORT ROD 40CM	
2	1	304968-99-0	ROD PARALLEL ARMSUPPORT	
3	1	301658-99-0	STOP COLLAR ARMREST C CII	
4	1	600546-99-0	SET SCREW SK6SS 5x6	
5	2	601415-99-0	ANGLE LINK AS M 8 fzb	
6	2	600228-99-0	LOCK NUT M8 FZB	
7	2	600233-99-0	NUT M6M 8 BHB FZB	
8	1	305458-99-0	BOLT PS 8x175 fzb	
9	2	600239-99-0	WASHER BRB 8.4X16 FZB	
10	1	1822340	CLAMP RING ARMR RIGHT	
11	1		CLAMP RIGHT	
12	2	601126-99-0	BOLT MC6S 5x 6 fzb	
13	4	601427-99-0	WASH BRB 8.4x15x1.6 fzb	
14	4	601127-99-0	BOLT MC6S 8x 22 fzb	
15	1		CLAMP LEFT	
16	1	1822339	CLAMP RING ARMR LEFT	
17	1	1820250	ARMR BRACK PLG V.2 LEFT	
18	4	600700-99-0	CUP SPRING	
19	2	600241-99-0	WASH BRB 10.5x20x2 fzb	
20	2	600701-99-0	BOLT K6S 10X16 FZB	
21	4	303003-99-0	LINK BOLT PARALLEL ARM-	
22	4	305390-99-0	WASH 8.5*23*3 FZB	
23	4	600228-99-0	LOCK NUT M8 FZB	
24	1	1820249	ARMR BRACK PLG V.2 RIGHT	
25	1	1824007	ENHANCEMENT KIT ARMREST	
25	1	306025-99-0	ARM SUPPORT HIGH ADAPTION	
26	1	1824007	ENHANCEMENT KIT ARMREST	
26	1		BRACKET LONG	
27	4	601395-00-0	HANDLE KNOB 20 M5	
28	2	1822782	ARMREST 250 FABRIC	FABRIC
28	2	1822783	ARMREST 300 FABRIC	FABRIC
28	2	1822784	ARMREST 350 FABRIC	FABRIC
28	2	1822785	ARMREST 400 FABRIC	FABRIC
28	2	1822786	ARMREST 250	SKAI
28	2	1822787	ARMREST 300	SKAI
28	2	1822788	ARMREST 350	SKAI
28	2	1822789	ARMREST 400	SKAI
29	1		ARMREST 400	
29	1		ARMREST 350	
29	1		ARMREST 300	
29	1		ARMREST 250	
30	1	1821918	ARMR GUIDE PLATE 400 PLG	
30	1	1822068	ARMR GUIDE PLATE 350 PLG	
30	1	1822153	ARMR GUIDE PLATE	
31	6	601165-99-0	BOLT MC6S 5x16 fzb	
32	6	600226-99-0	LOCK NUT M5 FZB	
33	1	1825297	PAD UPHOLST 250	FABRIC
33	1	1825298	PAD UPHOLST 300	FABRIC
33	1	1825299	PAD UPHOLST 350	FABRIC
33	1	1825300	PAD UPHOLST 400	FABRIC
33	1	1825301	PAD SKIN 250	SKAI
33	1	1825302	PAD SKIN 300	SKAI
33	1	1825303	PAD SKIN 350	SKAI
33	1	1825304	PAD SKIN 400	SKAI
34	1	302719-99-0	PANEL HOLD BRACK	
35	1		ANGEL	
36	1		HOLDER	
37	2	601359-99-0	BOLT MC6S 6x 8 fzb	
38	1	600192-99-0	BOLT MC6S 6x12 fzb	
39	3	600238-99-0	WASHER BRB 6.4X12 FZB	
40	1	600183-99-0	BOLT MC6S 4x10 fzb	
41	1	601296-99-0	WASHER BRB 4.3x 9 fzb	
42	1	302720-99-0	TIE BAR ARMR SHAFT	



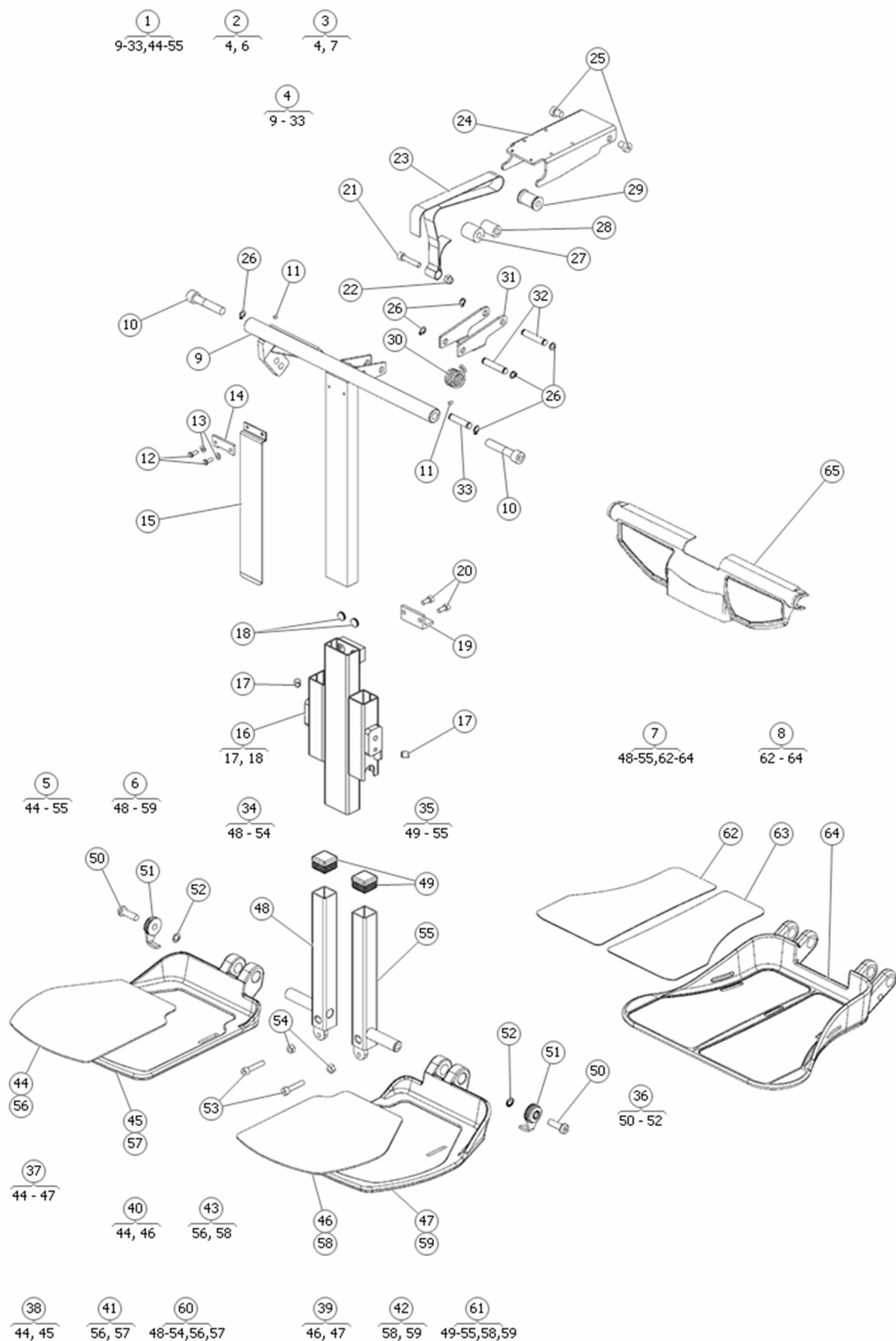
Pos	Qty	Stock Code	Description	Remark
1	1	308985-99-0	PANEL HOLD 335 HI P+	
1	1	310045-99-0	PANEL HOLD 435 HI P+	
2	1	1822455	PANELH. 335 ADJUSTABLE	
2	1	1822456	PANELH. 435 ADJUSTABLE	
3	1	1824242	PANEL HOLDER ADJ. VR2 R-N	
4	1		HINGE L=435	
4	1		HINGE L=335	
5	1		BRACKET	
6	2	600184-99-0	BOLT MC6S 4x12 fzb	
7	1	1825189	PLATE PANELHOLDER P+, PG8	
8	1		PLATE	
9	2	601353-99-0	BOLT K6S 5x10 fzb	
10	1		TUBE L=335	
10	1		TUBE L=435	
11	1		HINGE	
12	1		SCREW, ISO 4029 M8x60 A2	
13	1		LOCK WASHER	
14	1		LOCK WASHER	
15	2	600228-99-0	LOCK NUT M8 FZB	
16	1		WASHER CONCAVE	
17	1		LOCK HANDLE	
18	1		PLATE	
19	2	601165-99-0	BOLT MC6S 5x16 fzb	
20	2	600183-99-0	BOLT MC6S 4x10 fzb	
21	1		PANEL HOLDER	
22	1		PANEL HOLDER V2	
23	1	1825556	ADJUSTMENT KNOB KIT	
24	1		BRACKET	
25	1	1825201	PANELHOLDER FIXED R-NET/	
26	1	1820439	PANEL HOLD VSI RIGHT	
27	1	1820440	PANEL HOLD VSI LEFT	
28	1		BRACKET, RIGHT	
29	2		PLASTIC PLUG	
30	2	601165-99-0	BOLT MC6S 5x16 fzb	
31	1		BRACKET, LEFT	



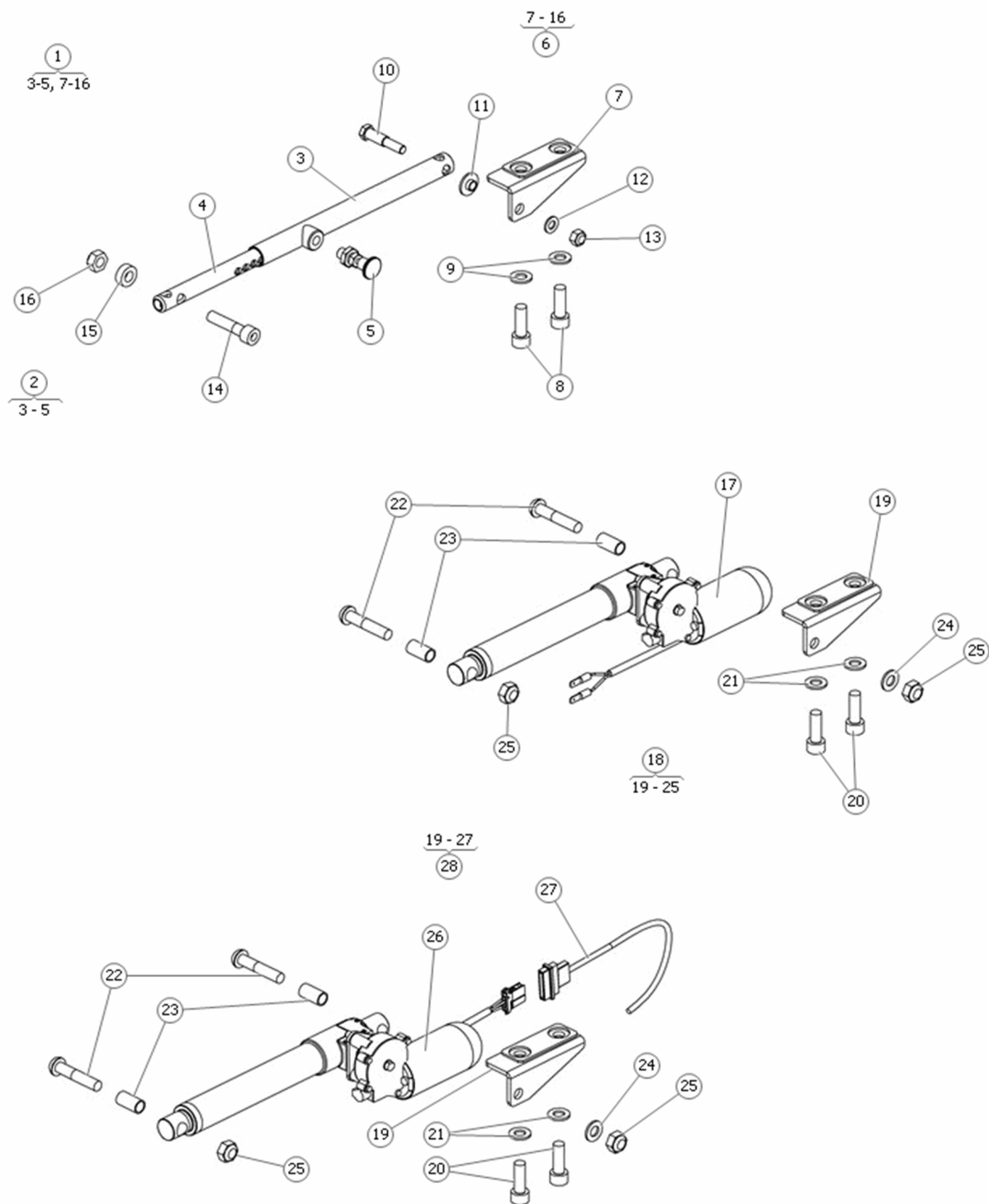
Pos	Qty	Stock Code	Description	Remark
1	1	1821782	PANEL HOLD PLG LEFT	Left
1	1	1826772	PANEL HOLDER PLG RIGHT C	Right
2	2	1822319	REPAIR KIT PIVOT, RETRACT	
3	1		PLATE	
4	1		PLATE	
5	4		PLATE	
6	3		PLATE HINGE	
7	1		PLATE HINGE	
8	2		SPACER L=12 Ø8h9/Ø6+0.2/-0	
9	2	601370-99-0	BOLT K6S 6x20 fzb	
10	2	600227-99-0	LOCK NUT M6 FZB	
11	1	306814-99-0	HOLD DOWN SPRING P.HOLDER	
12	2	601202-99-0	WASH BRB 3.2x 7 fzb	
13	1	601346-99-0	BOLT MC6S 3x 6 fzb	
14	1		SCREW ISO 10642 M5x22 Fe/Zn	
15	1	600237-99-0	WASH BRB 5.3x10x 1 fzb	
16	1	600226-99-0	LOCK NUT M5 FZB	
17	1		PLATE REINFORCEMENT	
18	1		PANELHOLDER	
19	1	601370-99-0	BOLT K6S 6x20 fzb	
20	1	600238-99-0	WASHER BRB 6.4X12 FZB	
21	1	600227-99-0	LOCK NUT M6 FZB	
22	2	600182-99-0	BOLT MC6S 4x 8 fzb	
23	2	601296-99-0	WASHER BRB 4.3x 9 fzb	
24	1		PLATE	
25	2	600184-99-0	BOLT MC6S 4x12 fzb	
26	2	601296-99-0	WASHER BRB 4.3x 9 fzb	
27	1	309958-99-0	BRACK PANEL/SW.BOX P+	
28	2	601296-99-0	WASHER BRB 4.3x 9 fzb	
29	2	600182-99-0	BOLT MC6S 4x 8 fzb	
30	1		BRACKET EXTRA PANEL	
31	2	601102-99-0	BOLT K6S 4x12 fzb	
32	1	1824295	PANEL HOLDER PLG VR2 R-NE	
33	1		HINGE	
34	1		PLATE	
35	1	600729-99-0	BOLT MF6S 6x30 fzb	
36	2	600183-99-0	BOLT MC6S 4x10 fzb	
37	1	600741-99-0	WASH BRB 4.3x10x 1 fzb	
38	1		PLATE	
39	1	600238-99-0	WASHER BRB 6.4X12 FZB	
40	1	601372-99-0	BOLT K6S 6x45 fzb	
40	1	602035-99-0	BOLT K6S 6x30 fzb	
41	1		PANELHOLDER	
42	1	601189-99-0	BOLT MF6S 5x16 fzb	
43	4	1823502	ADJUSTMENT DISC (TEETH)	
44	4	601424-99-0	BOLT MF6S 5x30 fzb	
45	2		PLATE	
46	1		COVER	
47	1	600208-99-0	BOLT MF6S 4x10 fzb	
48	2		PLATE	
49	2		SPRING PIN, 3x24 St ISO 8750	
50	2		WHEEL	
51	2		SHAFT	
52	1		BODY	
53	1		SPRING	
54	1		PLATE	
55	2	600189-99-0	BOLT MC6S 5x10 fzb	
56	2		CHAIN SPROCK	
57	1		ROLLER CHAIN	
58	4		HEXAGON SPACER, M4 7x20 Fe/Zn	
59	1	1827135	CLAMP 2 CABLES	
60	1	600832-99-0	BOLT MC6S 4x 6 fzb	
61	1		WASHER	
62	1	602360-00-0	STARHANDLE CT.47630P	



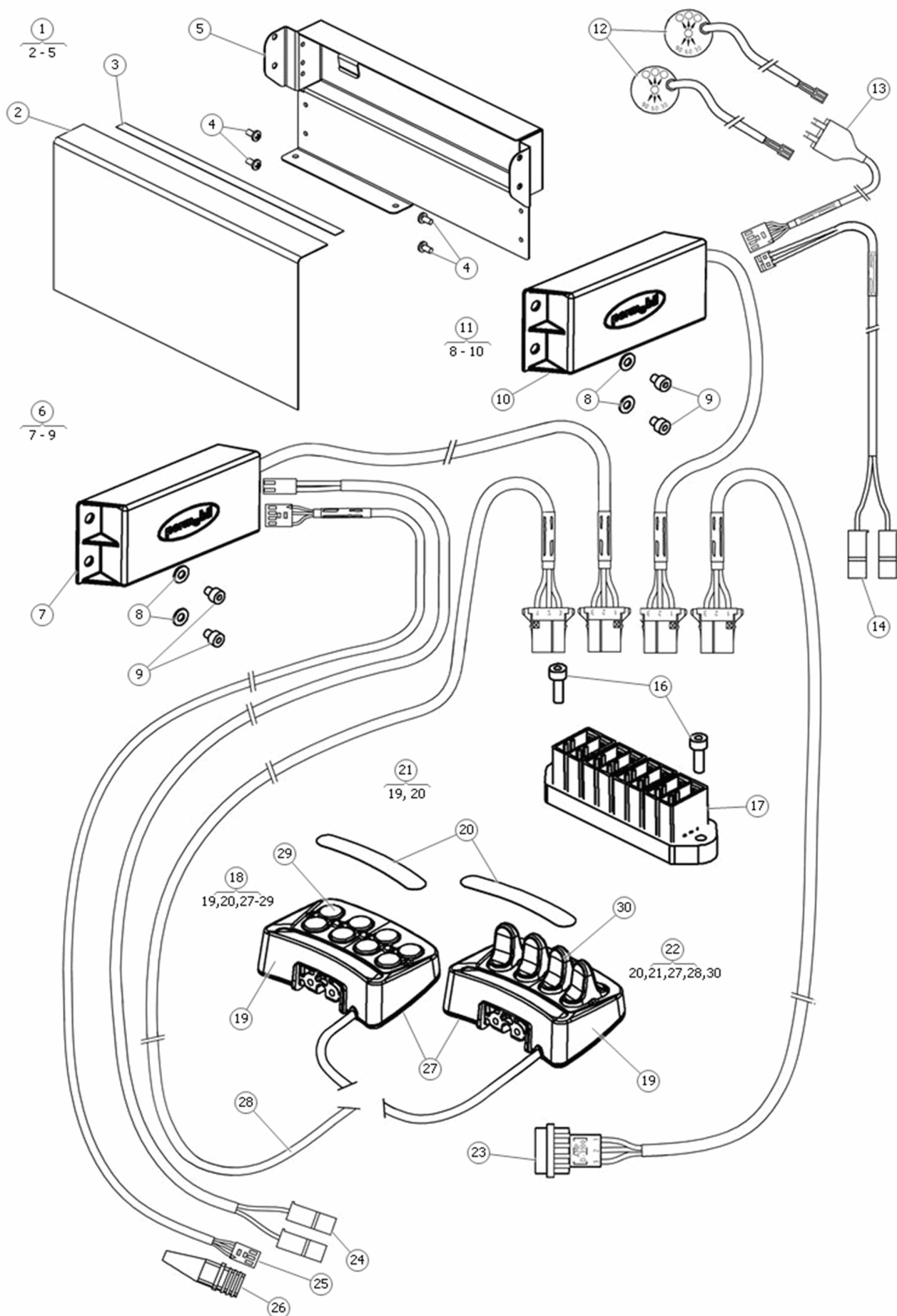
Pos	Qty	Stock Code	Description	Remark
1	1	306431-99-60-0	SEAT CUSH ERGO 450x500	
1	1	306431-99-80-0	SEAT CUSHION ERGO CORPUS	
1	1	306431-99-90-0	SEATCUSHION ERGO 42.5*	
1	1	306470-99-20-0	SEATCUSHION ERGO 47.5*	
1	1	306470-99-60-0	SEAT CUSH ERGO 500x500	
1	1	306470-99-80-0	SEAT CUSH ERGO 500x500	
1	1	306470-99-90-0	SEATCUSHION ERGO 47.5*	
1	1	306471-99-60-0	SEAT CUSH ERGO 450x560	
1	1	306471-99-80-0	SEAT CUSH ERGO 450x560	
1	1	306471-99-90-0	SEATCUSHION ERGO 42.5*	
1	1	306472-99-20-0	SEATCUSHION ERGO 4735*	
1	1	306472-99-60-0	SEAT CUSH ERGO 500x560	
1	1	306472-99-80-0	SEAT CUSH ERGO 500x560	
1	1	306735-99-20-0	SEATCUSHION ERGO 42.5*	
1	1	306735-99-60-0	SEAT CUSHION ERGO 450x420	
1	1	306735-99-80-0	SEAT CUSH ERGO 450x420	
1	1	306735-99-90-0	SEATCUSHION ERGO 42.5*	
1	1	310096-99-60-0	SEAT CUSH COMFORT STD	
1	1	310096-99-80-0	SEATCUSH COMFORT STD	
1	1	311152-99-60-0	SEAT CUSHION COMFORT 450x	
1	1	311153-99-60-0	SEAT CUSHION COMFORT 500x	
1	1	311154-99-60-0	SEAT CUSHION COMFORT 500x	
1	1	311156-99-60-0	SEAT CUSHION ERGO 420x370	
1	1	311393-99-60-0	SEAT CUSHION COMFORT 450x	
1	1	311393-99-80-0	SEAT CUSH COMFORT 450x530	
1	1	311394-99-60-0	SEAT CUSHION COMFORT 500x	
1	1	311394-99-80-0	SEAT CUSH COMFORT 500x530	
1	1	311398-99-60-0	SEAT CUSHION 450x530 FABR	
1	1	311398-99-90-0	SEAT CUSH ERGO 450x530	
1	1	311401-99-60-0	SEAT CUSH ERGO 500x530	
1	1	311401-99-90-0	SEAT CUSH ERGO 500x530	
1	1	311403-99-60-0	SEAT CUSHION COMFORT 450x	
1	1	311403-99-80-0	SEAT CUSH COMFORT 450x450	
1	1	311494-99-60-0	SEAT CUSHION COMFORT 450X	
1	1	311494-99-80-0	SEAT CUSH COMFORT 450x420	
2	1	1824854	BACKR CUSH 370x470 MESH	
2	1	1824856	BACKR CUSH 420x470 MESH	
2	1	1824857	BACKR CUSH 470x470 MESH	
2	1	306430-99-20-0	BACKREST CUSHION ERGO 40/	
2	1	306430-99-60-0	BACKR CUSH ERGO 420x600	
2	1	306430-99-80-0	BACKR CUSH ERGO 420x600	
2	1	306430-99-80-0	BACKR CUSH ERGO 420x600	
2	1	306430-99-90-0	BACKRESTCUSHION ERGO 60/	
2	1	306473-99-20-0	BACKREST CUSHION ERGO 45/	
2	1	306473-99-60-0	BACKR CUSH ERGO 470x600	
2	1	306473-99-80-0	BACKR CUSH ERGO 470x600	
2	1	306473-99-80-0	BACKR CUSH ERGO 470x600	
2	1	306473-99-90-0	BACKRESTCUSHION ERGO 60/	
2	1	306475-99-60-0	BACKR CUSH 370x600 CII	
2	1	306475-99-80-0	BACKR CUSH ERGO 370x600	
2	1	306475-99-90-0	BACKRESTCUSHION ERGO 60/	
2	1	307506-99-60-0	BACKR CUSH ERGO 370x530	
2	1	307507-99-60-0	BACKR CUSH ERGO 420x530	
2	1	307508-99-60-0	BACKR CUSH ERGO 470x530	



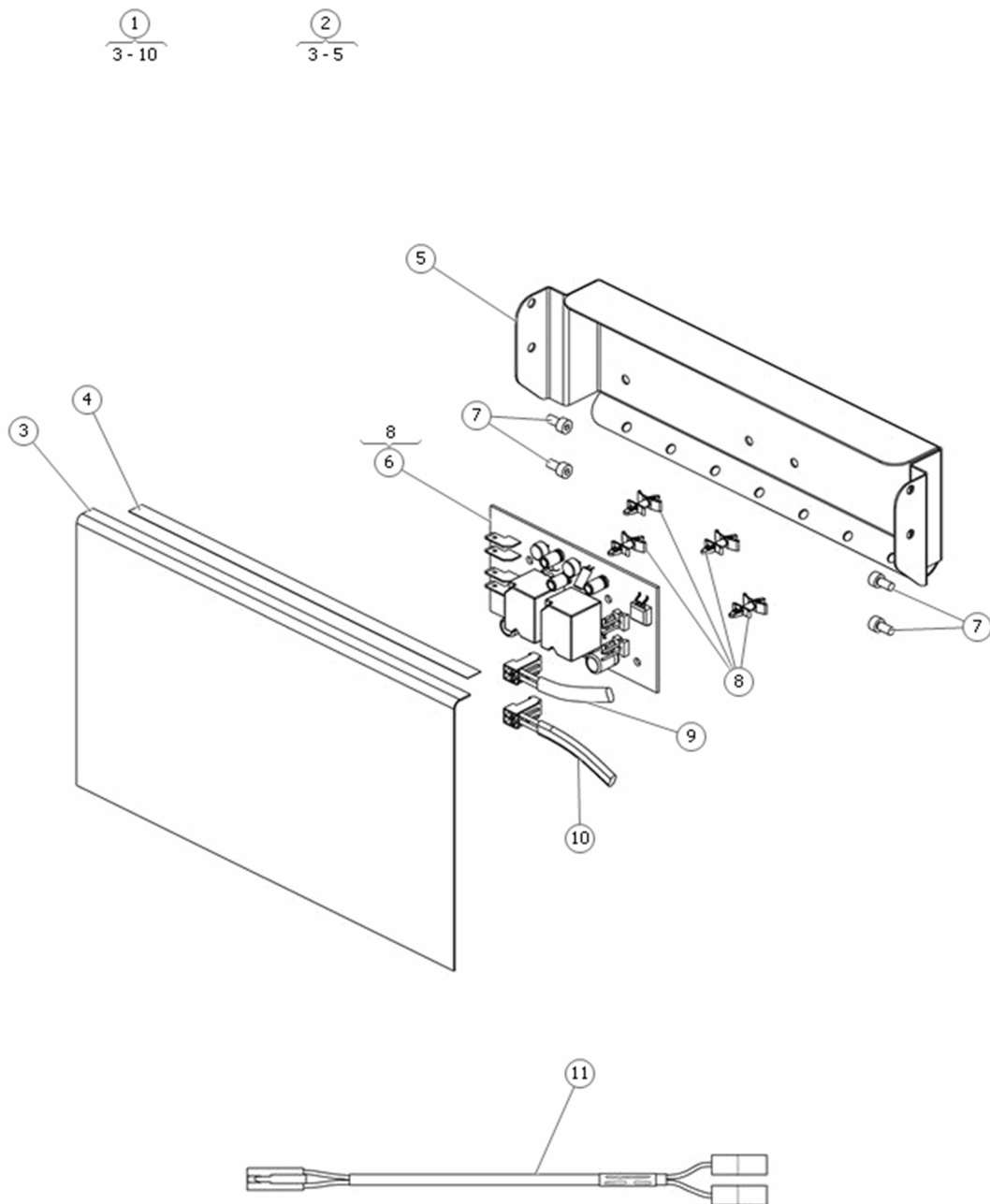
Pos	Qty	Stock Code	Description	Remark
1	1	310281-28-0	LEGREST 2-P FOTPL LOW	
2	1		LEGREST INCL 2-PIECE FOOTPLATE NARROW	
3	1		LEGREST INCL 1-PIECE FOOTPLATE	
4	1		LEGREST	
5	1		FOOTPLATE	
6	1		FOOTPLATE	
7	1		BRACKET INCL. WHOLE FOOTPL.	
8	1	312991-28-0	FOOTPL 1 PC STR	
9	1	310017-99-0	INNER SECT.HINGE LEG.LWR	PART DIFFERS FROM WHAT IS SHOWN- 310017-..
10	1	601227-99-0	BOLT MC6S 10x 50 fzb	
11	1	600556-99-0	SET SCREW SK6SS 4x5	
12	1	601102-99-0	BOLT K6S 4x12 fzb	
13	1	601296-99-0	WASHER BRB 4.3x 9 fzb	
14	1	1829669	WEB BELT HOLDER	
15	1	305183-28-0	PROTECT PLATE LEGREST CII	
16	1	305240-28-0	OUT.SECT FOOTPL BRACK CII	
16	1	305240-38-0	OUTER SECTION FTPLATE	
17	1	600737-99-0	SET SCREW SK6SS 8x10	
18	1	305162-99-0	SLIDE PLATE Y 12x2.50	
19	1	305237-99-0	WEB BRACK LEGREST CII GN	
20	1	600169-99-0	BOLT MC6S 5x12 fzb	
21	1	600196-99-0	BOLT MC6S 6x30 fzb	
22	1	1821261	NUT	
23	1	305245-00-0	WEB BELT CALF REST CII	
24	1	305234-99-0	SLIDE BAR FOOT/LEGREST	
25	1	601703-99-0	BOLT MLC6S 8x10 fzb	
26	1	600503-99-0	CIRCLIP SGA 8	
27	1	1821258	ROLLER Ø 16 M.M.	
28	1	1821258	ROLLER Ø 16 M.M.	
29	1	1821259	ROLLER Ø 17 M.M.	
30	1	1821260	SPRING WEB BELT RS	
31	1	1821089	ROLL BRACK CII	
32	1	305221-99-0	SHAFT 43mm ROLL	
33	1	305223-99-0	SHAFT 36mm ROLL	
34	1	308343-99-1	BRACK FOOTPL LEGREST CII	
35	1	308343-99-2	BRACK FOOTPL LEGREST CII	
36	1	308371-99-0	FRICTIONS GUIDE FOOTPL	
37	1	1821776	FOOTPLATES PAIR WIDE	
38	1	1821244	FOOTPLATE WIDE RIGHT	
39	1	1821243	FOOTPLATE WIDE LEFT	
40	1	1820716	SLIP PROTECT SET	
41	1	1827560	FOOTPL DUAL RIGHT GREY	Grey
41	1	1827562	FOOTPL DUAL RIGHT BLACK	Black
42	1	1827561	FOOTPL DUAL LEFT GREY	Grey
42	1	1827563	FOOTPL DUAL LEFT BLACK	Black
43	1	1820714	SLIP PROTECT SET,	
44	1		RUBBER PROTECT	
45	1		FOOTPLATE	
46	1		RUBBER PROTECT	
47	1		FOOTPLATE	
48	1		BRACKET	
49	1	601236-00-0	PLAST PLUG 56-25-25	
50	1	602165-99-0	BOLT K6S 8x 25 FZB	
51	1		FRICTIONS BRAKE	
52	1	602127-99-0	WASH SCHNORR 8.4x13x0.8	
53	1	600196-99-0	BOLT MC6S 6x30 fzb	
54	1	600232-99-0	NUT M6M 6 fzb	
55	1		BRACKET	
56	1		RUBBER PROTECT	
57	1		FOOTPLATE	
58	1		RUBBER PROTECT	
59	1		FOOTPLATE	
60	1	1824152	FOOTPL INCL BRACKET RIGHT	
61	1	1824151	FOOTPL INCL. BRACKET LEFT	
62	1		RUBBER PROTECT	
63	1		RUBBER PROTECT	
64	1		FOOTPLATE	
65	1	1821179	SQUEEZE GUARD LEGREST	



Pos	Qty	Stock Code	Description	Remark
1	1	1820537	CTRL MAN LEG CII C300	
2	1	312853-40-0	TUBE ADJUST MAN CTRL LEG-	
3	1		OUTER TUBE	
4	1		INNER TUBE	
5	1	602328-00-0	ADJ BOLT GN617 AK5	
6	1		INSTALL ASSEMBLY	
7	1		BRACKET	
8	2	600205-99-0	BOLT MC6S 10x 30 fzb	
9	2	600241-99-0	WASH BRB 10.5x20x2 fzb	
10	1		LINK BOLT	
11	1		BUSHING	
12	1	600239-99-0	WASHER BRB 8.4X16 FZB	
13	1	600228-99-0	LOCK NUT M8 FZB	
14	1	600277-99-0	BOLT MC6S 10x 45 fzb	
15	1		SPACER NYLON 10.5x20x7 HDPE	
16	1	600229-99-0	LOCK NUT M10 fzb ISO 7040	
17	1	612804-99-0	ACTU RE25.4.100M4 C33	
18	1	313824-28-0	BOLT KIT CTRL POWER LEG	
19	1		BRACKET	
20	2	600205-99-0	BOLT MC6S 10x 30 fzb	
21	2	600241-99-0	WASH BRB 10.5x20x2 fzb	
22	2		SCREW ISO 7380 M10x50 Fe/Zn	
23	2	1825219	SPACER ACTU L=24 Ø13x1.25	
24	1	600241-99-0	WASH BRB 10.5x20x2 fzb	
25	2	600229-99-0	LOCK NUT M10 fzb ISO 7040	
26	1	1823289	ACTU RE25-156+100 ICS LEG	
27	1	1821533	BUS CABLE EXT 0,5 M	
28	1	1823439	CTRL PWR LEG ICS C300,	



Pos	Qty	Stock Code	Description	Remark
1	1	1824805	BRACKET ELECTRONICS	
2	1		PROTECT	
3	1		ADHESIVE TRANSFER TAPE	
4	1	601436-99-0	BOLT MRX-TT-Z 4x8 fzb	
5	1		PLATE	
6	1	1822288	ELECTRONICS ICS TILT	
7	1		GENERAL MODULE	
8	1	601296-99-0	WASHER BRB 4.3x 9 fzb	
9	1	601282-99-0	BOLT MC6S 4x 5 fzb	
10	1		GENERAL MODULE BACKREST ICS	
11	1	1823034	ELECTRONICS ICS RECLINE	
12	1	1822437	CABLE ANGLE STOP	
13	1	1823033	CABLE ADAPT. 2 ANGLE STOP	
14	1	306293-00-0	CABLE ACTU CONTROL	
16	1	600184-99-0	BOLT MC6S 4x12 fzb	
17	1	1821304	JUNCTION BOX	
18	1	1823293	SWITCHBOX ICS BUTTONS 1	
19	1	1828838	TOP COVER SW. BOX	
20	1	1822329	DECAL SET SWITCHBOX ICS	
21	1	1828839	TOP COVER ICS SWITCH BOX	Incl. sticker set
22	1	1823294	SWITCHBOX ICS TOGGLES	
23	1	1821827	CABLE EXTENSION ICS 700MM	
24	1	305677-00-0	CABLE LINEAR ACTU. CONTR.	
25	1	1822290	CABLE SOFT POT ICS 1000MM	
26	1		PROTECT COVER	
27	1	1826515	SWITCH BOX BOTTOM ICS	
28	1	1821527	CABLE SWITCH BOX 1,4M	
29	1	1823850	PUSH BUTTON OVERLAY ICS	
30	1	1823851	TOGGLE OVERLAY ICS SWITCH	



Pos	Qty	Stock Code	Description	Remark
1	1	1823491	ANGLE STOP 2 FUNCT. 140°	
2	1	1824724	COVER/BOX ELECTRONICS	
3	1		PROTECT PCB	
4	1		ADHESIVE TRANSFER TAPE	
5	1		PLATE ELECTRONIC	
6	1	1828930	PCB ANGLE STOP V.2	
7	1	600182-99-0	BOLT MC6S 4x 8 fzb	
8	1		SPACER	
9	1	305677-00-0	CABLE LINEAR ACTU. CONTR.	
10	1	306293-00-0	CABLE ACTU CONTROL	
11	1	1822365	CABLE SEAT TILT VR2 C300	

When you order spare parts, the following must always be specified:

- The product model (for example, power wheelchair C300).
- The description of the part.
- always use the description used in this catalog.
- The entire part number.
- The quantity.

NB! In some cases, parts appear in the spare part catalog without a part number. This means that the part cannot be ordered from Permobil. We have, however, chosen to describe it for your information. Standard components such as screws, nuts, washers and similar parts can be purchased in an ordinary shop using the information in this catalog.

Description of Positioning list

The positioning list consist of:

A = Indicates the sparepart-group covered by the catalog.

B = Indicates part of the sparepart-group.

C = Under C there are five columns:

- 1 = Pos.no: Position number
- 2 = Pcs: Total number of given pos-no.
- 3 = Part no.: Part number
- 4 = Description: Article name
- 5 = Remark: Reserved for additional information such as reservations, restrictions etc.



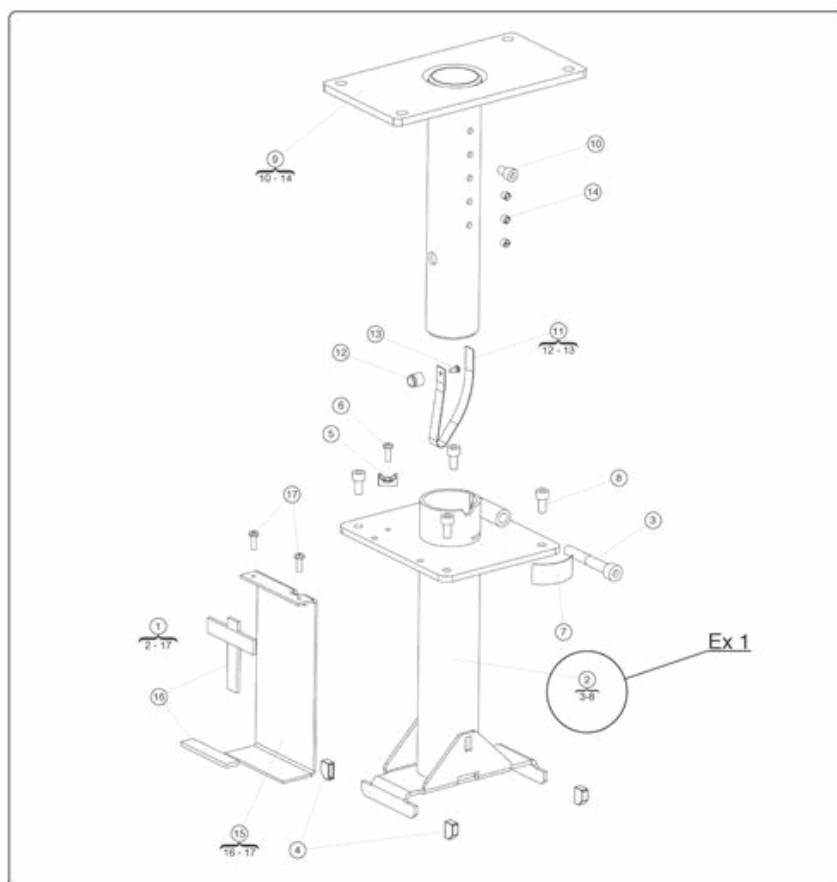
1	2	3	4	5	
Pos no.	Pcs	Part no.	Description	Benämning	Remark/Anm.
1	1	1820446	Seat Tube	Sitsrör fast	
1	1	1820418	Seat Tube for tilt	Sitsrör fast för sitslutning	
2	1		Outer tube	Ytterrör	
3	1		Screw ISO 4762 M8x55 fzb	Skruv ISO 4762 M8x55 fzb	
4	4	1820421	Cap	Hätta	
5	1		Cable Tie Holder 10x15	Buntbandsfäste 10x15	
6	1		Screw ISO 7380 M4x6 fzb	Skruv ISO 7380 M4x6 fzb	
7	1		Nut DIN 985 M4 fzb	Mutter DIN 985 M4 fzb	
8	4		Screw ISO 4762 M6x10 fzb	Skruv ISO 4762 M6x10 fzb	
9	1	1820422	Inner tube	Innerrör	
9	1	1820419	Inner tube for tilt	Innerrör för tilt	
10	1		Screw ISO 4762 M6x10 fzb	Skruv ISO 4762 M6x10 fzb	
11	1		Bracket	Fjäder	
12	1		Stop	Stång	
13	1		Screw ISO 7380 M3x6 fzb	Skruv ISO 7380 M3x6 fzb	
14	1		SLS Bracket	SLS fäste	

Part

A part consists of one or more parts. If a part consists of several parts, a bracket in connection with the part's item bubble is used to show the parts included in the part in the exploded views. See example 1.

Quantity

The quantity specified in front of a part is the total quantity for the entire product.

**Example 1:**

The fixed seat tube, pos 2, includes pos 3 to 8, that are indicated in the bracket below (see above).

Example 2:

If a outer tube, pos 2, is ordered, the quantity is 1. In other words, there is just one outer tube on the chassis. However, if you look at the number of parts included, the quantity may vary. For example, in pos 4, the complete outer tube comprises 4 parts.

Vid beställning av reservdelar skall följande alltid anges:

- Produktmodell (ex.vis elrullstol C300).
- Artikelns benämning.
- använd samma benämning som i denna reservdelskatalog vid beställning.
- Hela artikelnumret.
- Antal.

OBS! I reservdelskatalogen förekommer i vissa fall detaljer utan angivet artikelnr. Det innebär att detaljen inte går att beställa från Permobil, men vi har ändå valt att beskriva dem för din information. Standardkomponenter så som skruv, mutter, bricka och liknande detaljer kan införskaffas i den ordinarie detaljhandeln med hjälp av informationen i denna katalog.

Beskrivning av positionslistor

Positionslistan består av:

A = Visar vilken produkt katalogen beskriver.

B = Visar vilken del av produkten som visas på aktuell sida.

C = Under C finns fem kolumner:

- 1 = Pos.no: Positionsnummer
- 2 = Pcs: Antal detaljer som ingår i aktuellt pos.nummer
- 3 = Part no.: Artikelnummer
- 4 = Benämning: Artikelns benämning (svensk och engelsk benämning)
- 5 = Anmärkning: Plats för ev. tilläggsinformation, förbehåll etc.



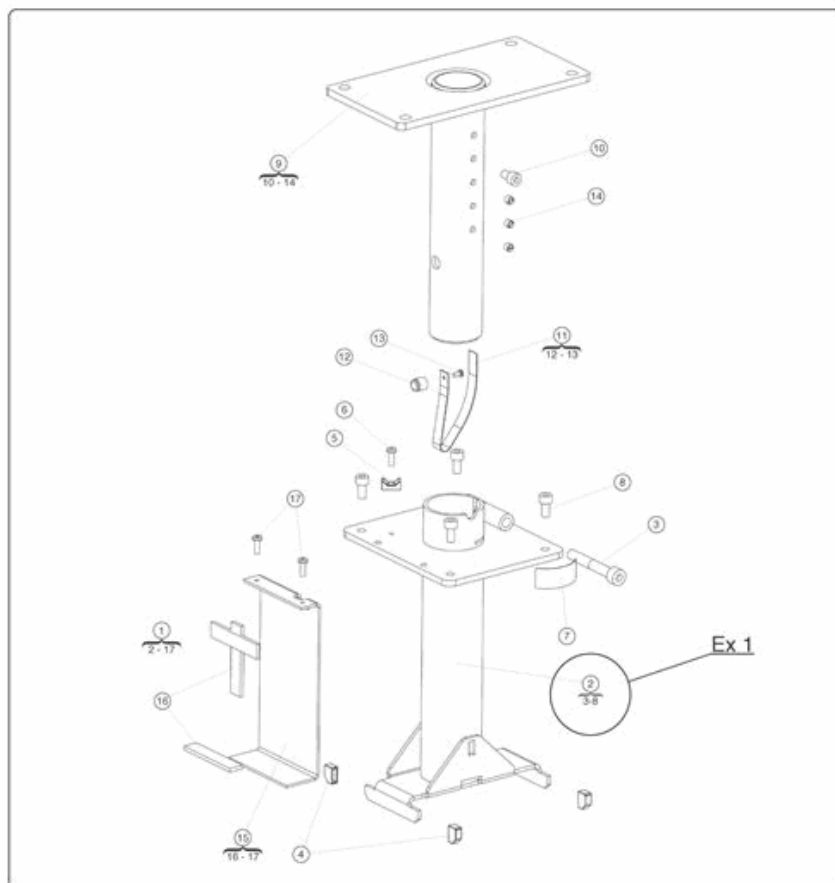
1	2	3	4	5
Pos no.	Pcs	Part no.	Description	Benämning
1	1	1820446	Seat Tube	Sitsrör fast
1	1	1820418	Seat Tube for tilt	Sitsrör fast för sitslutning
2	1		Outer tube	Ytterrör
3	1		Screw ISO 4762 M8x55 fzb	Skruv ISO 4762 M8x55 fzb
4	4	1820421	Cap	Hätta
5	1		Cable Tie Holder 10x15	Buntbandsfäste 10x15
6	1		Screw ISO 7380 M4x6 fzb	Skruv ISO 7380 M4x6 fzb
7	1		Nut DIN 985 M4 fzb	Mutter DIN 985 M4 fzb
8	4		Screw ISO 4762 M6x10 fzb	Skruv ISO 4762 M6x10 fzb
9	1	1820422	Inner tube	Innerrör
9	1	1820419	Inner tube for tilt	Innerrör för tilt
10	1		Screw ISO 4762 M6x10 fzb	Skruv ISO 4762 M6x10 fzb
11	1		Bracket	Fjäder
12	1		Stop	Stång
13	1		Screw ISO 7380 M3x6 fzb	Skruv ISO 7380 M3x6 fzb
14	1		SLS Bracket	SLS fäste

Artikel

En artikel består av en eller flera detaljer. Om en artikel består av flera detaljer är det markerat i sprängskisserna med ett klamer i anslutning till artikelns posbubbla där det står vilka detaljer som ingår i artikeln. se Ex 1.

Antal

Det angivna antalet framför en artikel är det sammanlagda antalet för hela produkten.

**Ex 1:**

I fast sitsrör Pos. 2, ingår poserna 3till 8 som står i klamret under. (se ovan)

Ex 2:

Beställs ett Ytterrör, pos. 2, så står det att antalet är 1. Det finns med andra ord bara ett ytterrör på chassit. Men om man tittar på antalet i ingående detaljer, så kan antalet variera, i tex. pos 4 är det 4 st för att ytterröret ska vara komplett.



PAB no: 1262-1