

SPARE PART CATALOG

---

# *Miniflex*

Seating system for Permobil power wheelchair





# *Miniflex*

Spare Part Catalog  
Reservdelskatalog

## CONTACT PERMOBIL:

### **Permobil AB**

Box 120  
861 23 Timrå  
Sverige  
Tel: 060-59 59 00  
Fax: 060-57 52 50  
E-post: [info@permobil.se](mailto:info@permobil.se)

### **Permobil Inc. USA**

6961 Eastgate Blvd.  
Lebanon, TN 37090  
USA  
Phone: 800-736-0925  
Fax: 800-231-3256  
Email: [info@permobilusa.com](mailto:info@permobilusa.com)

### **Permobil AS**

Hvamsvingen 22  
2013 Skjetten  
Norge  
Tlf. 48 12 90 00  
Fax. 63 84 48 50  
E-post: [firmapost@permobil.no](mailto:firmapost@permobil.no)

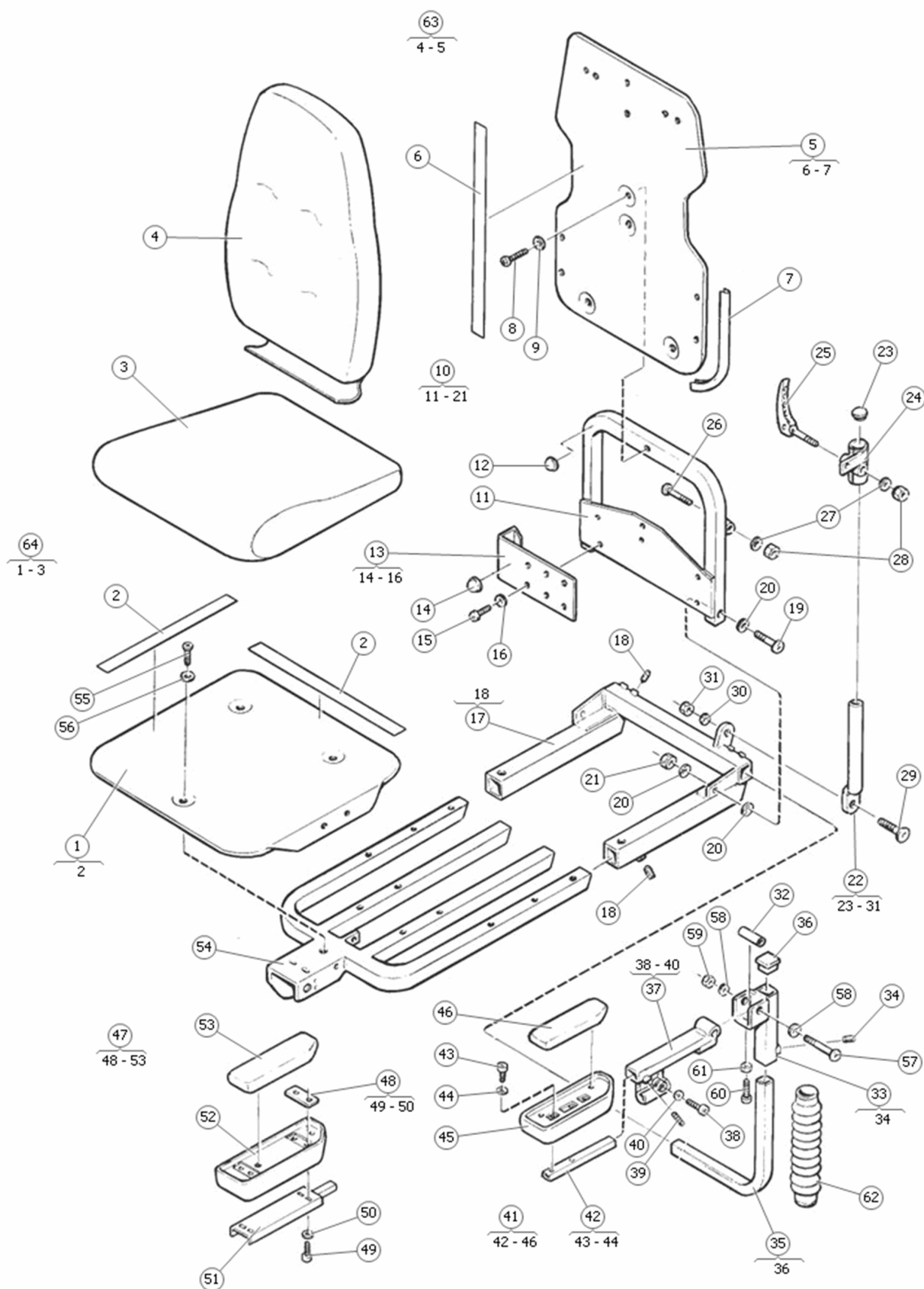
### **Permobil Europe BV**

De Doom 22  
NL-6419 CX Heerlen  
Netherlands  
Tel: +31 (0)45 564 54 90  
Fax: +31 (0) 45 564 54 91  
Email: [europe@permobil.nl](mailto:europe@permobil.nl)

Produced and published by Permobil AB, Sweden  
Edition no. 1, 2006-09  
PAB: 1227-1

<b>Contents</b>	<b>Page</b>
Seat.....	6 - 9
Install kit seat .....	10 - 13
Foot rest .....	14 - 17
Install kit seat and wheel kit footplate.....	18 - 19
Tabletop adjustable .....	20 - 21
Supports .....	22 - 25
Seat belts .....	26 - 27
Ordering Information .....	28 - 29

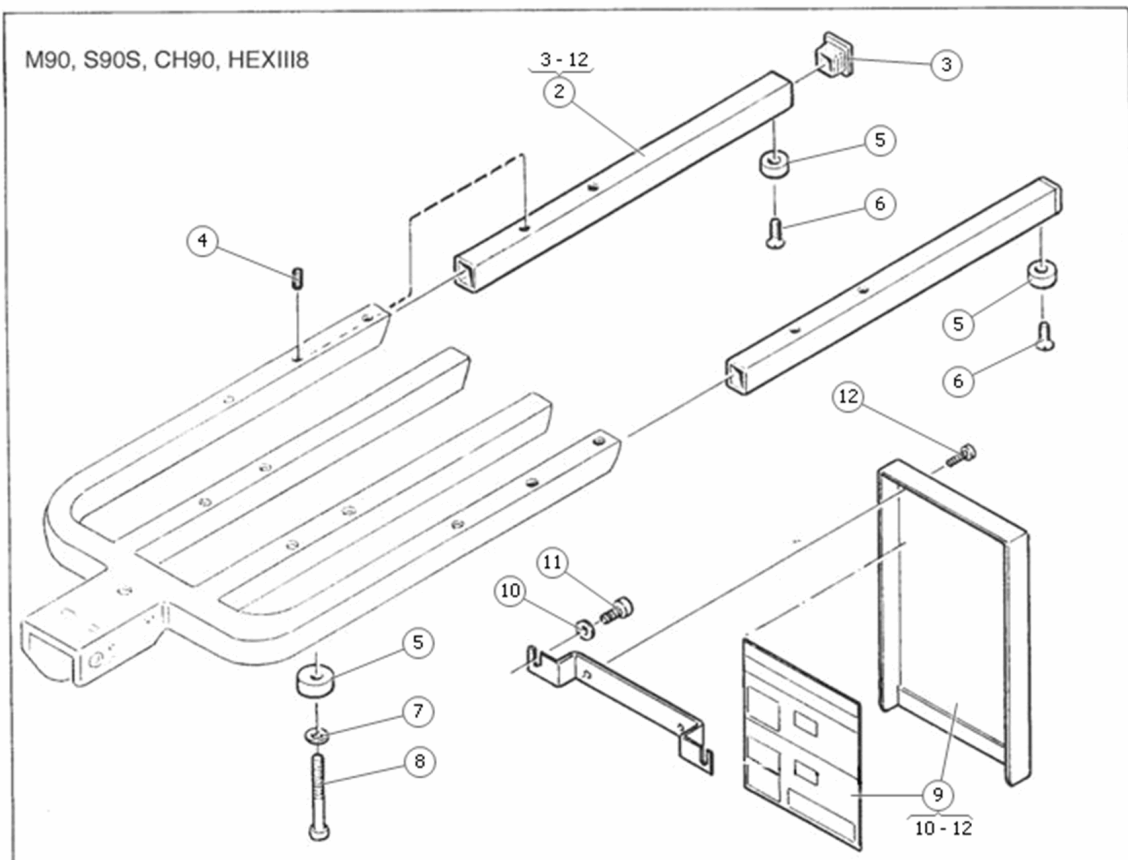
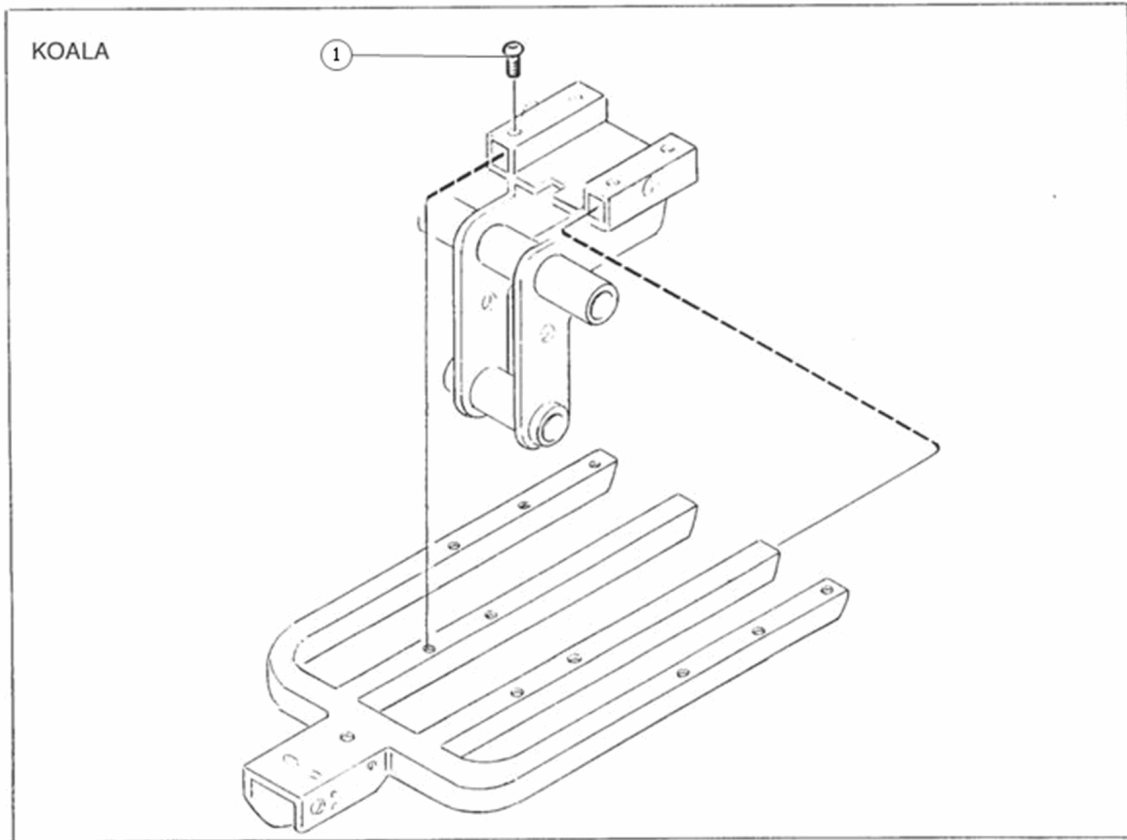
Innehåll	Sida
Sits .....	6 - 9
Monteringssats sits.....	10 - 13
Fotstöd .....	14 - 17
Monteringssats sits och hjulsats fotplatta.....	18 - 19
Bordstativ litet justerbart.....	20 - 21
Stöd.....	22 - 25
Säkerhetsbälten .....	26 - 27
Order Information .....	28 - 29



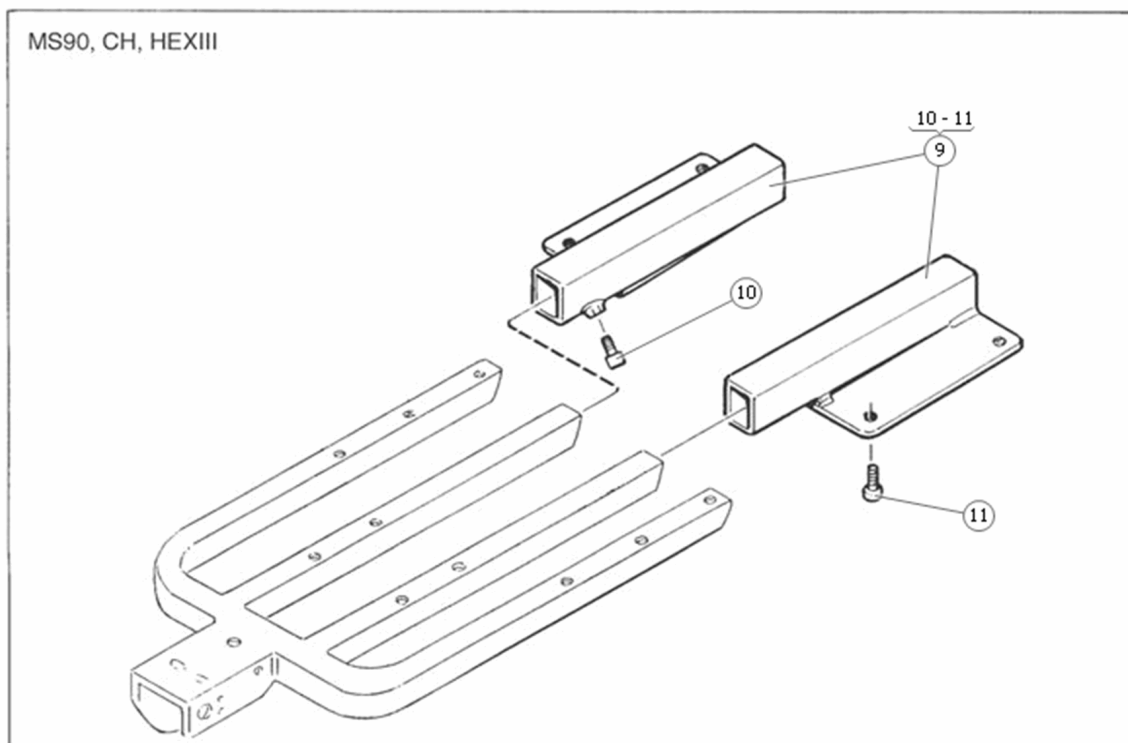
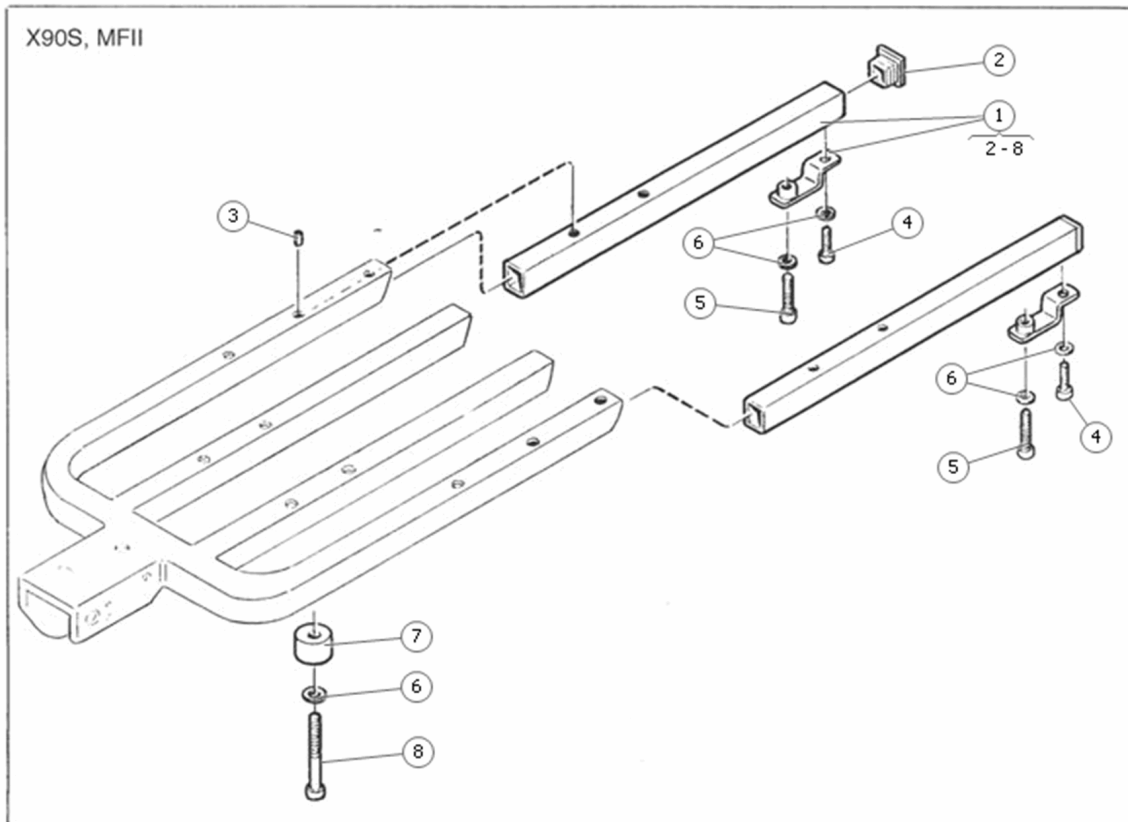
Pos	Qty	Stock Code	Description	Remark
1	1	306301-28-0	SEATPLATE 250x250	
1	1	306302-28-0	SEATPLATE 300x300 MFII	
1	1	306303-28-0	SEATPLATE 350x350 MFII	
2	1	600587-99-0	VELCRO HOOK SELF.ADHES	
3	1	306384-99-10-0	SEATCUSHION ERGO MF 25x25	
3	1	306384-99-60-0	SEAT CUSH ERGO 250x250	
3	1	306384-99-90-0	SEAT CUSHION ERGO MF	
3	1	306385-99-60-0	SEAT CUSH ERGO 300x300	
3	1	306385-99-90-0	SEATCUSHION ERGO MF 30x30	
3	1	306386-99-60-0	SEAT CUSH ERGO 350x350	
3	1	306386-99-90-0	SEAT CUSHION ERGO w*d=	
4	1	306381-99-30-0	BACKREST CUSHION MF 25*35	Cartoon
4	1	306381-99-60-0	BACKR CUSH ERGO 250x350	Mesh
4	1	306381-99-90-0	BACKREST CUSHION MF 25x35	Skai
4	1	306382-99-30-0	BACKREST CUSH MF 300*400	Cartoon
4	1	306382-99-60-0	BACKR CUSH ERGO 300x400	Mesh
4	1	306382-99-90-0	BACKREST CUSHION MF 30x40	Skai
4	1	306383-99-30-0	BACKREST CUSH MF 350*500	Cartoon
4	1	306383-99-60-0	BACKR CUSH ERGO 350x500	Mesh
4	1	306383-99-90-0	BACKREST CUSHION MF 35x50	Skai
5	1	306304-28-0	BACKR PLATE 250x350 MFII	
5	1	306305-28-0	BACKR PLATE 300x400 MFII	
5	1	306306-28-0	BACKR PLATE 350x500 MFII	
6	1	600587-99-0	VELCRO HOOK SELF.ADHES	
7	1	602082-00-0	EDGE MOULDING 9mm	
8	3	601159-99-0	BOLT K6S 5X12 FZB	
9	3	601059-99-0	WASH BRB 5.3x15x1.6 fzb	
10	1		BACKR HINGE INCL BRACK	
10	1	307903-28-0	BACKR HINGE INCL BRACK	
11	1		BACKR HINGE MFII	
12	2		FEET SELF ADHESIV SJ-5027	
13	1		BRACKET SEAT BELT MFII	
14	4		FEET SELF ADHESIV SJ-5027	
15	2	601159-99-0	BOLT K6S 5X12 FZB	
16	2	601059-99-0	WASH BRB 5.3x15x1.6 fzb	
17	1		BRACKET BACKR HINGE MFII	
18	6	600278-99-0	SET SCREW SK6SS 6x10	
19	1	602373-99-0	BOLT K6S 8x35 fzb	
20	6	600239-99-0	WASHER BRB 8.4X16 FZB	
21	2	600228-99-0	LOCK NUT M8 FZB	
22	1	307920-28-0	BACKR TILT BRACKET MFII	
23	1		PLAST PLUG SFL 14	
24	1		BRACKET BACKR TILT MFII	
25	1	612300-99-0	ADJ HANDLE STP-KH M6x45	
26	1		BOLT MF6S 6x40 fzb	
27	2	600238-99-0	WASHER BRB 6.4X12 FZB	
28	2	600227-99-0	LOCK NUT M6 FZB	
29	1	600764-99-0	BOLT MF6S 8x20 fzb	
30	1	600239-99-0	WASHER BRB 8.4X16 FZB	
31	1	600233-99-0	NUT M6M 8 BHB FZB	
32	2		SPACE TUBE 32Ø10/6.2	
33	2		ARMR HOLDER MF	
33	1	306199-28-1	ARMR.HOLDER MFII	
33	1	306199-28-2	ARMR.HOLDER MFII	
34	1	600278-99-0	SET SCREW SK6SS 6x10	
35	1	307970-99-0	ARMR BRACE KIT MF MFII	
36	1		PLAST PLUG VL 16x16	
37	1	304946-28-0	ARMR KIT SWING MC MV MF	
38	2	600194-99-0	BOLT MC6S 6x20 fzb	
39	2	600278-99-0	SET SCREW SK6SS 6x10	
40	2	600238-99-0	WASHER BRB 6.4X12 FZB	
41	1	308021-00-30-1	ARMR 200 MFII	Right. Cartoon
41	1	308021-00-30-2	ARMR 200 MFII	Left. Cartoon
41	1	308021-00-90-1	ARMREST MF 20cm RIGHT	
41	1	308021-00-90-2	ARMREST MF 20cm LEFT	
42	1	305866-99-0	BOLT KIT ARMR 200 MI-MII	
43	2	600189-99-0	BOLT MC6S 5x10 fzb	
44	2	600237-99-0	WASH BRB 5.3x10x 1 fzb	
45	2		ARMR BODY 200	
46	1	305873-30-1	ARMR PADD 200 MFII	Right. Cartoon
46	1	305873-30-2	ARMR PADD 200 MFII	Left. Cartoon
46	1	305873-90-1	ARMREST PADDING	Right. Skai
46	1	305873-90-2	ARMREST PADDING	Left. Skai
47	1	307400-00-30-1	ARMR 250 MFII	
47	1	307400-00-30-2	ARMR 250 MFII	
47	1	307400-00-90-1	ARMREST MF 25 cm VINYL RI	
47	1	307400-00-90-2	ARMREST MF 25 cm VINYL LE	
48	1	305810-99-0	BOLT KIT ARMREST 250 300	
49	4	600184-99-0	BOLT MC6S 4x12 fzb	
50	4	601296-99-0	WASHER BRB 4.3x 9 fzb	
51	1	307493-99-0	ARMR BRACK ARMR 250	
52	1		ARMR BODY 250 C CII HV *	
53	1	1822782	ARMREST 250 FABRIC	

Pos	Qty	Stock Code	Description	Remark
53	1	305851-90-1	ARMREST PADDING 250 CII	
53	1	305851-90-2	ARMREST PADDING 250 CII	
54	1	307915-99-0	SEAT FRAME MFII	
55	1	601159-99-0	BOLT K6S 5X12 FZB	
56	1	602178-99-0	WASH BRB 5.3x15x1.5 fzb	
57	2	601372-99-0	BOLT K6S 6x45 fzb	
58	4	601364-99-0	WASH BRB 6.4x14x1.5 fzb	
59	2	600227-99-0	LOCK NUT M6 FZB	
60	2	601165-99-0	BOLT MC6S 5x16 fzb	
61	2	600614-99-0	NUT M6M 5 fzb	
62	1	601693-99-0	BOOT RUBBER ACTU	
63	1	306351-28-90-0	BACKR KIT 250x350 MFII	
63	1	306352-28-90-0	BACKR KIT 300x400 MFII	
63	1		BACKREST KIT 350x500	
64	1	306343-28-90-0	SEATPLATE KIT 250x250	
64	1	306344-28-90-0	SEATPLATE KIT 300x300	
64	1	306345-28-90-0	SEATPLATE KIT 350x350	

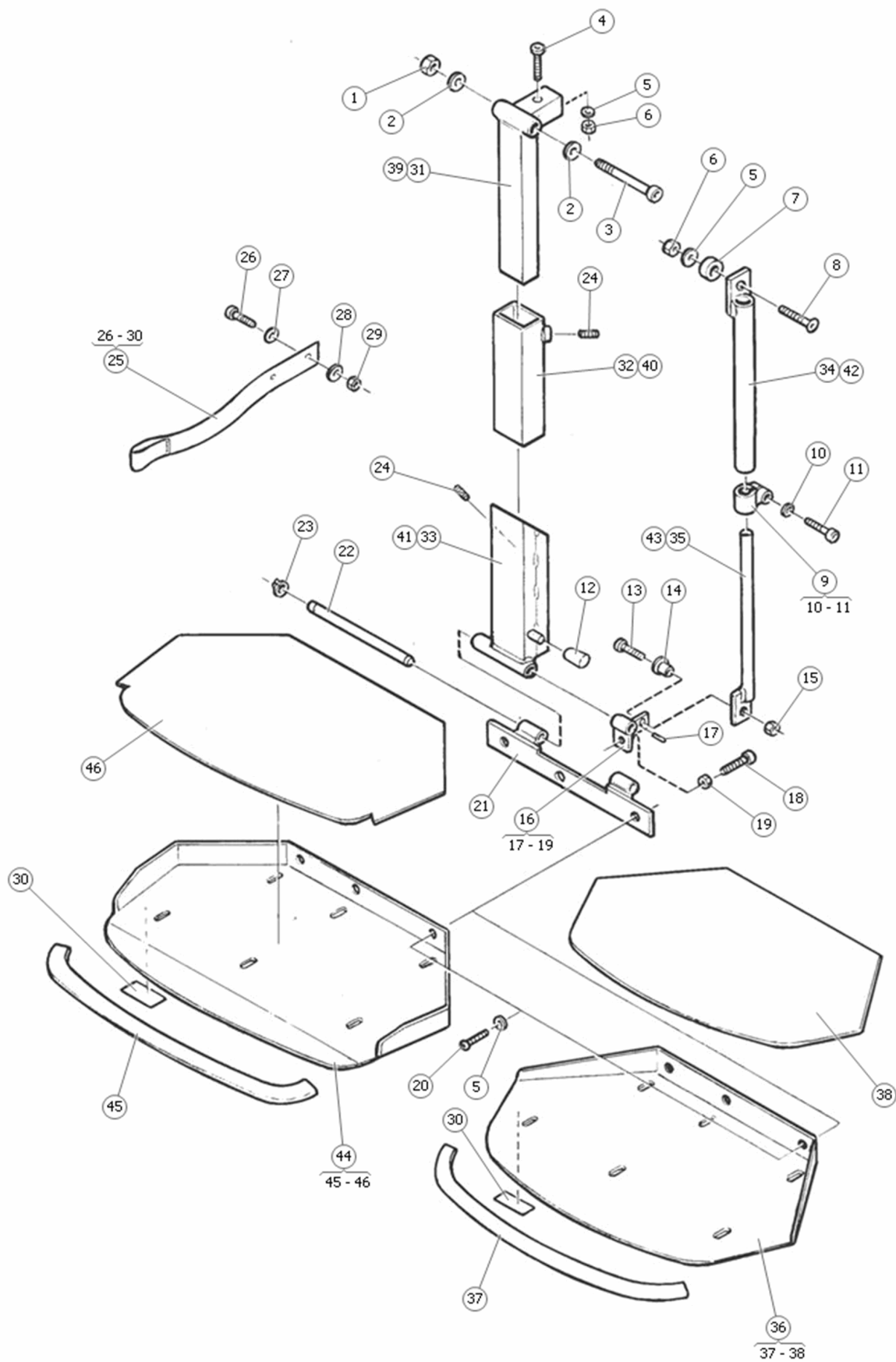




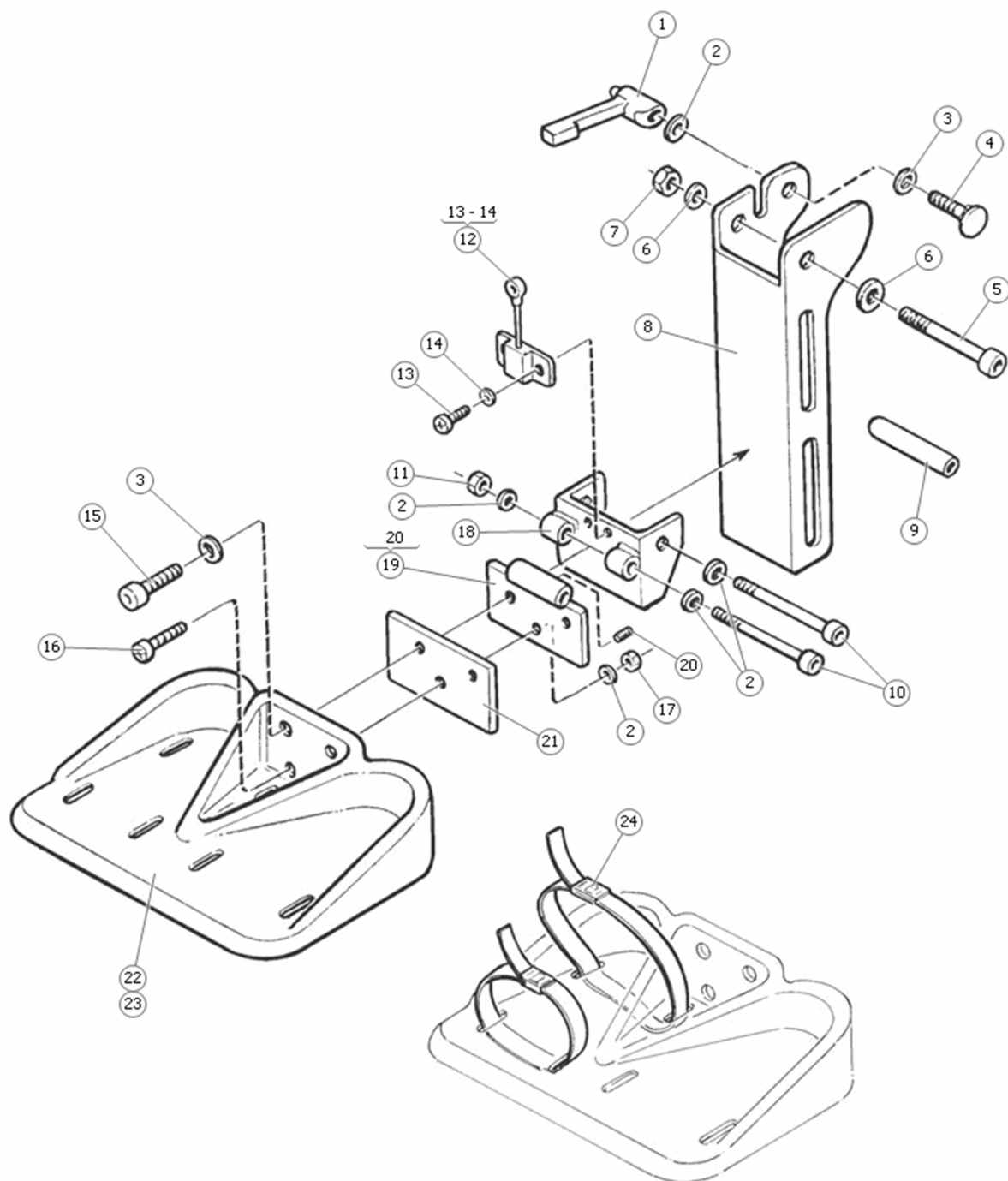
Pos	Qty	Stock Code	Description	Remark
1	1	600736-99-0	BOLT K6S 6x10 fzb	
2	1	307961-99-0	MOUNTINGKIT MINIFLEX ON	
3	2		PLAST PLUG VL 15x15	
4	1	602097-99-0	BOLT SK6SS 5x10	
5	4	305994-99-0	SPACER 10 Y20	
6	2	600764-99-0	BOLT MF6S 8x20 fzb	
7	2	600239-99-0	WASHER BRB 8.4X16 FZB	
8	2	601450-99-0	BOLT MLC6S 8x30 fzb	
9	1		PROTECT LID INCL BRACK	
10	2	600239-99-0	WASHER BRB 8.4X16 FZB	
11	2	600202-99-0	BOLT MC6S 8x 10 fzb	
12	2	601366-99-0	BOLT K6S 4x 6 fzb	



Pos	Qty	Stock Code	Description	Remark
1	2		INSTALL KIT MFII	
1	2	307959-00-0	INSTALL KIT MFII	
2	2		PLAST PLUG VL 15x15	
3	1	602097-99-0	BOLT SK6SS 5x10	
4	2	600590-99-0	BOLT MC6S 8x 16 fzb	
5	2	600273-99-0	BOLT MC6S 8x 35 fzb	
6	6	600239-99-0	WASHER BRB 8.4X16 FZB	
7	2		SPACER 15Ø20/8.4	
8	2	600276-99-0	BOLT MC6S 8x 50 fzb	
9	1	306346-28-0	INSTALL KIT MFII CH8	RH/LH
10	4	600705-99-0	BOLT MC6S 8x 12 fzb	
11	2	600192-99-0	BOLT MC6S 6x12 fzb	

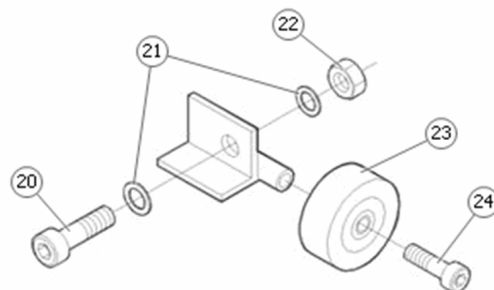
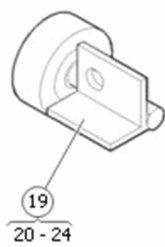
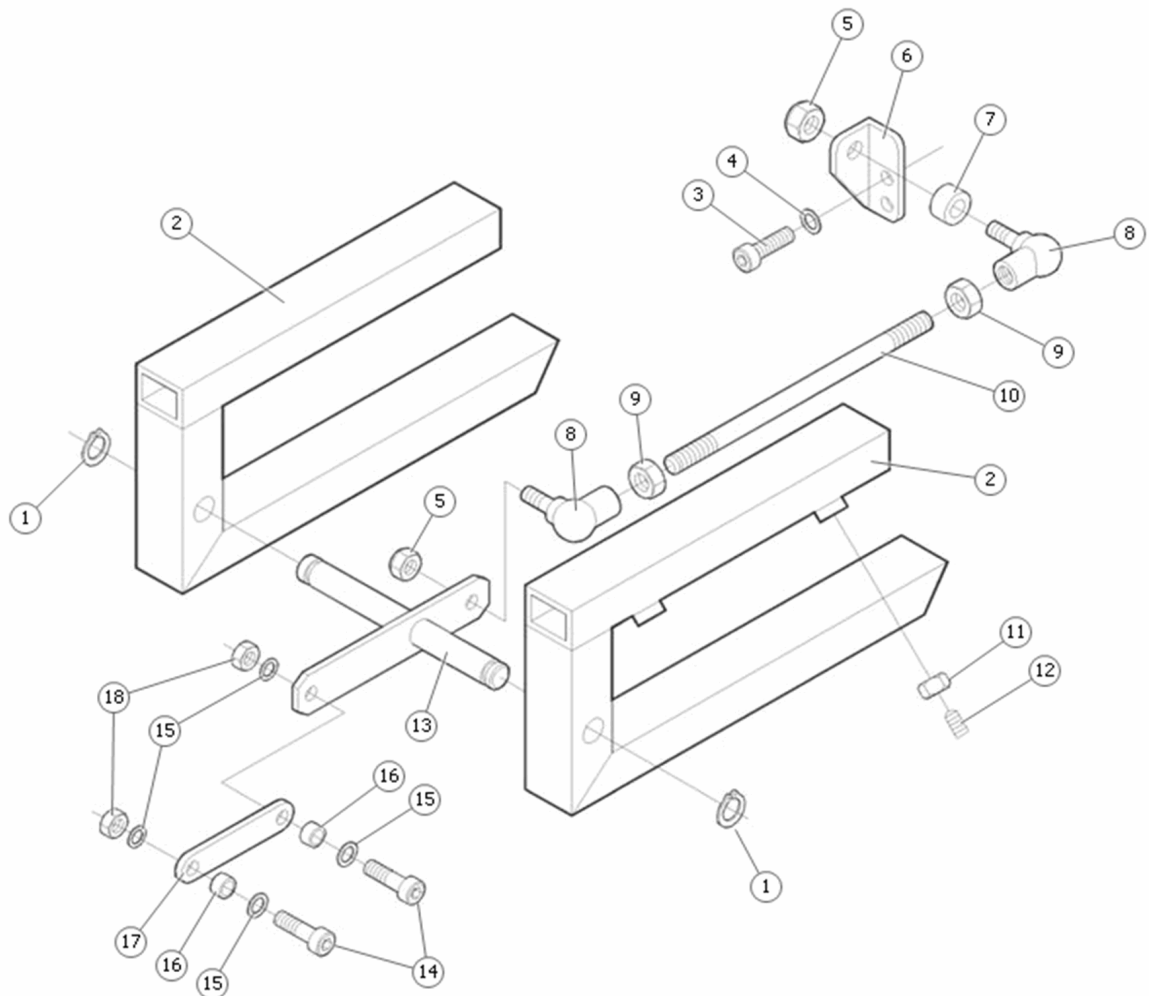


Pos	Qty	Stock Code	Description	Remark
1	1	600228-99-0	LOCK NUT M8 FZB	
2	2	600239-99-0	WASHER BRB 8.4X16 FZB	
3	1		BOLT	
3	1		BOLT MC6S 8x75 fzb	
4	1	600195-99-0	BOLT MC6S 6x25 fzb	
5	5	600238-99-0	WASHER BRB 6.4X12 FZB	
6	2	600232-99-0	NUT M6M 6 fzb	
7	1		SPACER 8 Ø15	
8	1	600735-99-0	BOLT MF6S 6x25 fzb	
9	1	305896-99-0	CLAMP CTRL MAN ANGLE	RH/LH
10	1	600238-99-0	WASHER BRB 6.4X12 FZB	
11	1	600194-99-0	BOLT MC6S 6x20 fzb	
12	1		PLASTKNOB 09-10 POLYETEN	
13	1	601370-99-0	BOLT K6S 6x20 fzb	
14	1	302345-99-0	BUSHING LEGREST C	
15	1	600227-99-0	LOCK NUT M6 FZB	
16	1		ANGELSTOP FOOTPL MFII MF	
17	1		EXPANDER PIN PRYM 3x12	
18	1	600194-99-0	BOLT MC6S 6x20 fzb	
19	1	600232-99-0	NUT M6M 6 fzb	
20	3	600736-99-0	BOLT K6S 6x10 fzb	
21	1	304879-99-0	FOOTPLATE HINGE MC/MHV	
22	1	301470-99-0	SHAFT FOOTPLATE HINGE	
23	2	600503-99-0	CIRCLIP SGA 8	
24	2	600278-99-0	SET SCREW SK6SS 6x10	
25	1		FOOTPL UPWARD TILT KIT	
26	2	601159-99-0	BOLT K6S 5X12 FZB	
27	2	600237-99-0	WASH BRB 5.3x10x 1 fzb	
28	2	601059-99-0	WASH BRB 5.3x15x1.6 fzb	
29	2	600226-99-0	LOCK NUT M5 FZB	
30	1	600587-99-0	VELCRO HOOK SELF ADHES	
31	1	306333-99-0	INNER SECT UP HINGE SHORT	
32	1	306335-99-0	OUT SECT FOOTPL BRACK	
33	1	304859-28-0	Y.PROFIL FOTPL.LED KORT	
33	1	304859-38-0	OUT SECT FOOTPL HINGE	
34	1	306359-99-0	OUTER TUBE SHORT MAN CTRL	
35	1		INNER TUBE CTRL MAN ANGLE	
36	1	306280-28-0	FOOTPL 1PC MFII LEGR	
37	1	602083-00-0	EDGE MOULDING 14mm	
38	1		RUBBER MAT FOOTPL MF MFII	
39	1	306237-99-0	INNER SECT UP HINGE LEG	
40	1	306240-99-0	OUT SECT FOOTPL BRACK	
41	1	306242-38-0	OUT SECT FOOTPL HINGE	
42	1	306357-99-0	OUTER TUBE LONG CTRL MAN	
43	1	304887-99-0	INNER TUBE CTRL MAN ANGLE	
44	1	304961-28-0	FOOTPL 1PC MFII	
45	1	602083-00-0	EDGE MOULDING 14mm	
46	1		RUBBER MAT FOOTPL MFII	

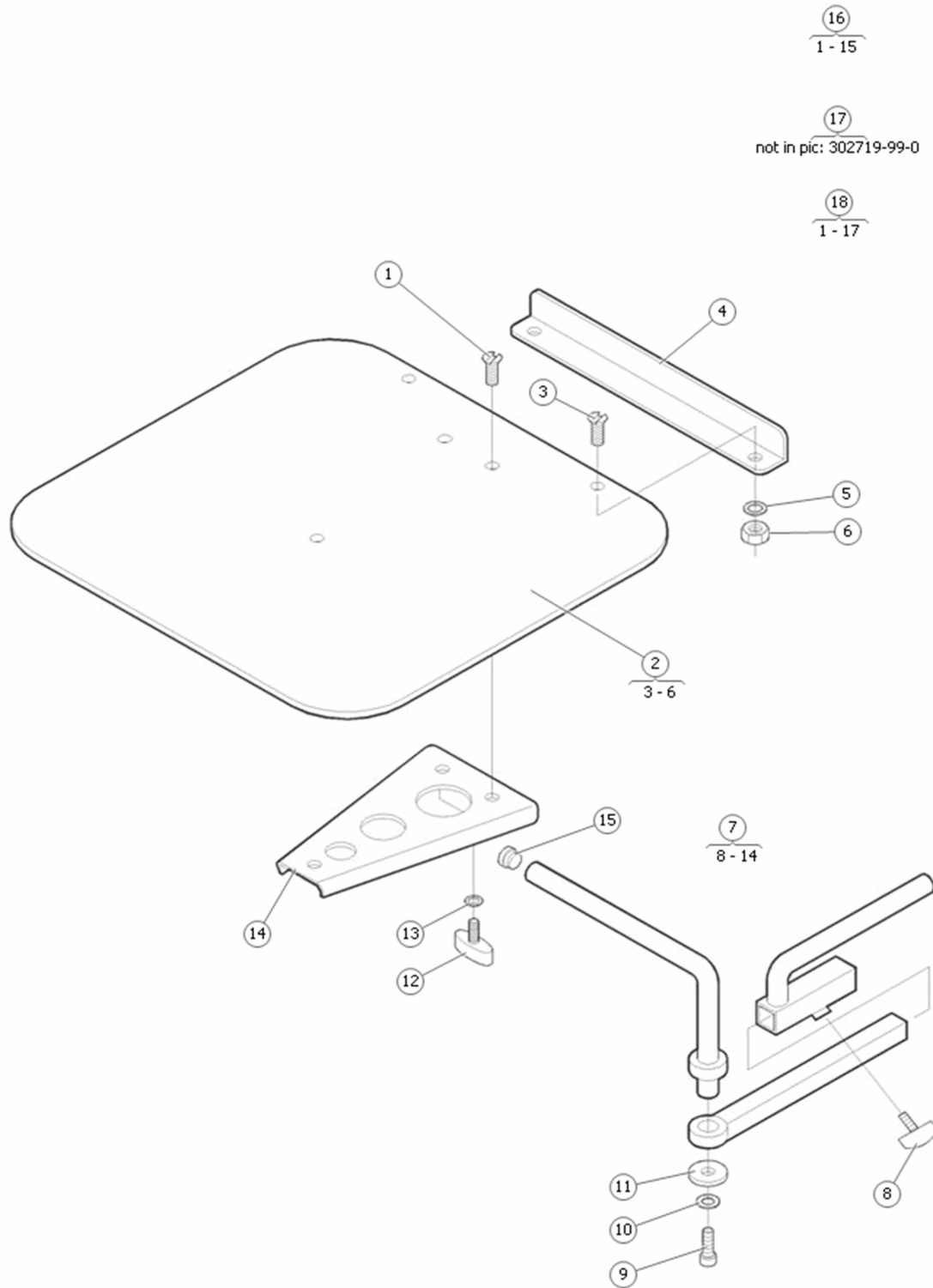


Pos	Qty	Stock Code	Description	Remark
1	1	601798-99-0	ADJ HANDLE	
2	7	600238-99-0	WASHER BRB 6.4X12 FZB	
3	1	602127-99-0	WASH SCHNORR 8.4x13x0.8	
4	1		BOLT MVBF 6x16 fzb	
5	1		BOLT MC6S 8x80 fzb	
6	2	600239-99-0	WASHER BRB 8.4X16 FZB	
7	1	600228-99-0	LOCK NUT M8 FZB	
8	1		INNER SECT LEGREST MFII	
8	1	307664-28-0	INNER SECT LEGREST MFII	
9	1		SPACER TUBE 60Ø12/6	RH/LH
10	1		BOLT MC6S 6x 80 fzb	
10	1	602176-99-0	BOLT MC6S 6x 80 fzb	
11	1	600227-99-0	LOCK NUT M6 FZB	
12	1	307984-28-0	LOCK DEVICE FOOTPL MFII	
13	2		BOLT MRX-TT-Z 4x5 fzb	
13	2		BOLT MRX-TT-Z 4x5 fzb	
14	2	601296-99-0	WASHER BRB 4.3x 9 fzb	
15	2	600692-99-0	BOLT MC6S 6x22 fzb	
16	1		BOLT MRX-Z 6x30 fzb	
17	1	600232-99-0	NUT M6M 6 fzb	
18	1		OUT SECT FOOTPL HINGE	
18	1	307859-28-0	OUT SECT FOOTPL HINGE	
19	1	307969-99-0	FOOTPL HINGE MFII	
20	1	600212-99-0	SET SCREW SK6SS 4x4	
21	1		SPACER TUBE 70Ø40/4	
21	1	307874-99-0	SPACER TUBE 70;40/4	
22	1	307962-00-0	FOOTPLATE SMALL MINIFLEX	
23	1	307963-00-0	FOOTPLATE LARGE MINIFLEX	
24	1	1822838	FOOTSTRAP KIT	
24	1	307790-00-0	FOOT STRAP KIT	

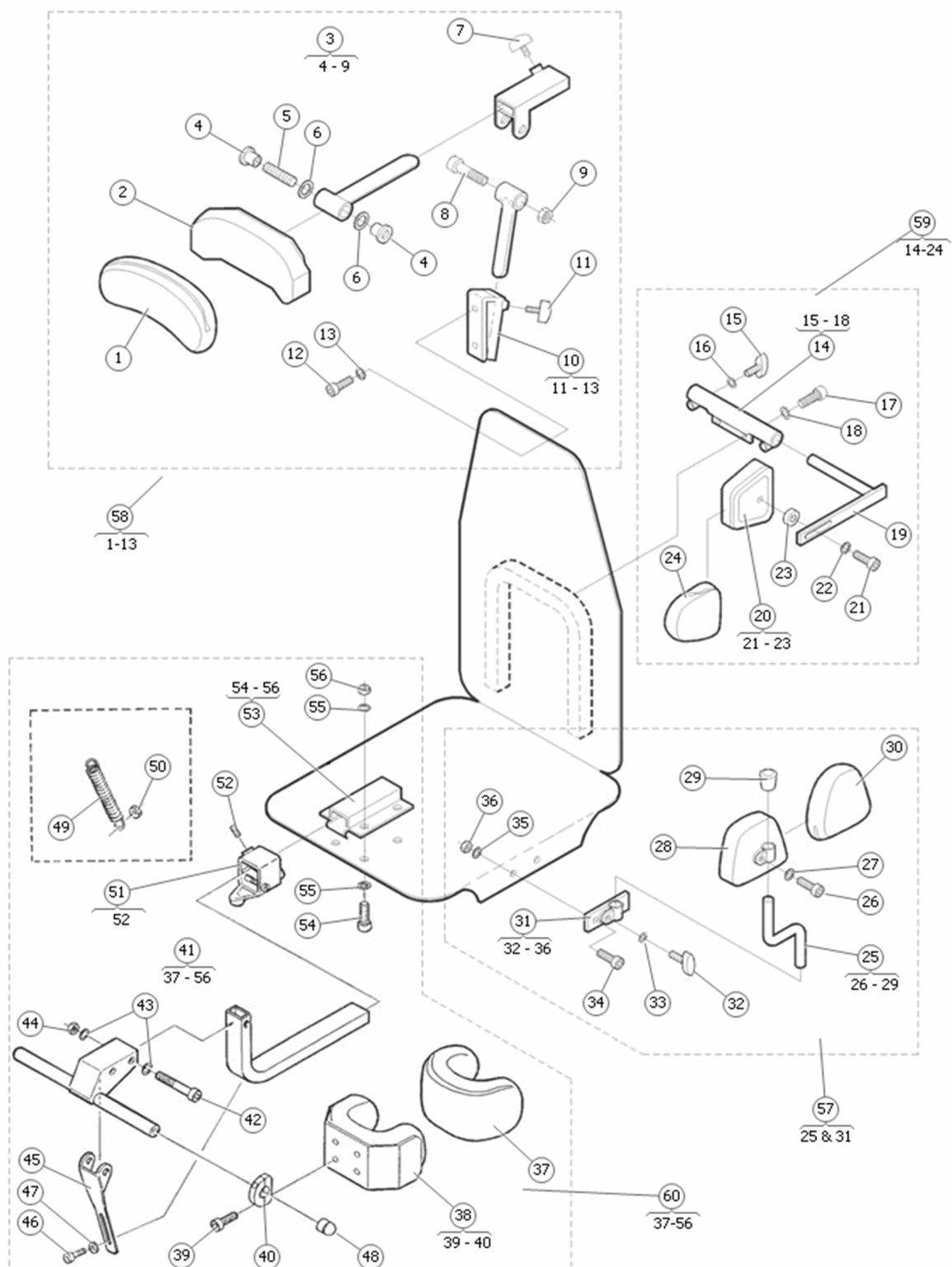




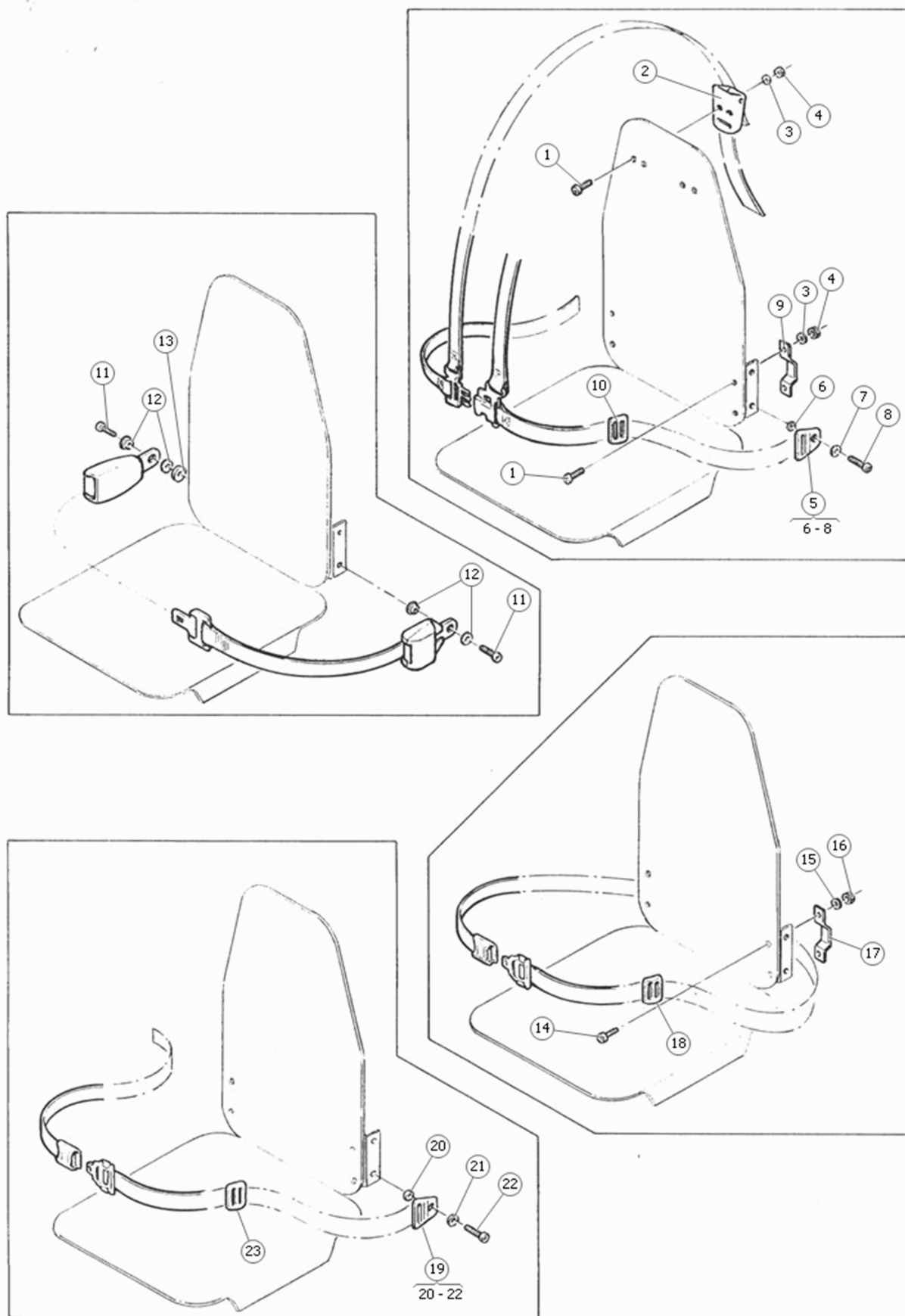
Pos	Qty	Stock Code	Description	Remark
1	2	600271-99-0	CIRCLIP SGA 10	
2	1	306323-28-0	SEAT MOUNT SLIDE MF/PL	
2	1	306323-38-0	SEAT MOUNT SLIDE MF	
3	2	601353-99-0	BOLT K6S 5x10 fzb	
4	2	600237-99-0	WASH BRB 5.3x10x 1 fzb	
5	2	600228-99-0	LOCK NUT M8 FZB	
6	1	306322-99-0	BRACK INSTALL KIT MF	
7	1	307337-99-0	SPACER 5Y14/8.2	
8	1	601415-99-0	ANGLE LINK AS M 8 fzb	
9	1	600233-99-0	NUT M6M 8 BHB FZB	
10	1	306321-99-0	BOLT PS 8x125 fzb	
11	4	600232-99-0	NUT M6M 6 fzb	
12	4		BOLT 6x16 STOP POLYAMID	
13	1	306327-99-0	HINGE INSTALL KIT MF	
14	2	600222-99-0	BOLT M6S 6x20 fzb	
15	4	600238-99-0	WASHER BRB 6.4X12 FZB	
16	2	304815-99-0	BUSHING Y 9	
17	1	305942-99-0	BRACE INSTALL KIT MF	
18	2	600227-99-0	LOCK NUT M6 FZB	
19	1		WHEEL KIT FOOTPL MF	
19	1	306411-28-0	WHEELKIT FOOTPL MFII PL8	
20	1		BOLT K6S 6x25 fzb	
20	1	602367-99-0	BOUT K6S 6x25 fzb	
21	4	600238-99-0	WASHER BRB 6.4X12 FZB	
22	2	600227-99-0	LOCK NUT M6 FZB	
23	1	602198-99-0	wheels supp frame VII	
24	1	601372-99-0	BOLT K6S 6x45 fzb	
24	1	602035-99-0	BOLT K6S 6x30 fzb	



Pos	Qty	Stock Code	Description	Remark
1	3		BOLT MF6S 4x 8 fzb	
2	1	306919-40-0	TABLETOP ADJ.250*250	
3	1	600208-99-0	BOLT MF6S 4x10 fzb	
4	1		MANUSCRIPT HOLD TABLE TOP	
5	2	601296-99-0	WASHER BRB 4.3x 9 fzb	
6	2	600225-99-0	LOCK NUT M4 FZB	
7	1		TABLE HOLD SMALL	
7	1	306920-00-0	TABLE HOLD SMALL	
8	1		STARHANDLE CT.47630P	
9	1	601340-99-0	BOLT K6S 8x20 fzb	RH/LH
10	1		WASH BRB 8.4x16x1.6 fzb	NOT AVAILABLE
11	1		CUP SPRING 25x12.0x0.9	NOT AVAILABLE
12	1		STARHANDLE CT.47630P	NOT AVAILABLE
13	1		WASH BRB 6.4x12x1.5 fzb	NOT AVAILABLE
14	1		BRACK TABLE HOLD SMAL	NOT AVAILABLE
15	1		PLASTKNOB 09-14	NOT AVAILABLE
16	1	306910-40-0	TABLE SMALL ARMR	
17	1	302719-99-0	PANEL HOLD BRACK	NOT PICTURED
18	1	307802-40-0	TABLE SMALL INCL.BRACKET	INCL 302719-99-0



Pos	Qty	Stock Code	Description	Remark
1	1	306376-10-0	UPHOLSTERY HEADREST MF MV	
1	1	306376-90-0	UPHOLSTERY HEADREST MC/	
2	1	305739-99-99-0	HEADREST CUSH BODY	
3	1	306392-40-0	HEADREST ARM MFII	
4	2	601557-99-0	NUT CYL 15/ 9x12-M6	
5	1	601555-99-0	BOLT HGS 6x40 fzb	
5	1		USE 601555 HGS 6x40 FZB BOLT PSH 6x40 FZB	
6	2		CUP SPRING	
6	2		CUP SRPING 20x10.2x0.8	
7	1		STARHANDLE CT.47630P	
8	2		BOLT M6S 8x 45 fzb	
9	1	600228-99-0	LOCK NUT M8 FZB	RH/LH
10	1	306315-99-0	HEADREST BRACK MFII	
11	1		STARHANDLE CT.47630P	
12	2	600740-99-0	BOLT K6S 5x 8 fzb	
13	2	600842-99-0	WASH BRB 5.3x12x 1 fzb	
14	1	306393-40-0	LAT SUPP HOLDER DUAL	
15	1	602360-00-0	STARHANDLE CT.47630P	
16	2	600238-99-0	WASHER BRB 6.4X12 FZB	
17	2	600169-99-0	BOLT MC6S 5x12 fzb	
18	2	600237-99-0	WASH BRB 5.3x10x 1 fzb	
19	1	305718-99-0	LAT.SUPP ARM MFII	
20	2		LAT SUPP BODY MC MHV MF	
21	1	601170-99-0	BOLT K6S 5x16 fzb	
22	1	601059-99-0	WASH BRB 5.3x15x1.6 fzb	
23	1		WASH TBRSUB 6.4x22x4 fzb	
24	1	306197-30-0	UPHOLST LAT/THIGH SUPP	
25	2		THIGH SUPP BODY MFII	
26	1	601370-99-0	BOLT K6S 6x20 fzb	
27	1	600238-99-0	WASHER BRB 6.4X12 FZB	
28	1		THIGH SUPP BODY	
29	1		PLASTKNOB 09-10 POLYETEN	
30	1	306197-30-0	UPHOLST LAT/THIGH SUPP	
31	1		THIGH SUPP BRACK MC MHV	
32	1	602360-00-0	STARHANDLE CT.47630P	
33	1	600238-99-0	WASHER BRB 6.4X12 FZB	
34	1		BOLT K6S 5x20 fzb *	
35	2	600237-99-0	WASH BRB 5.3x10x 1 fzb	
36	2	600226-99-0	LOCK NUT M5 FZB	
37	2		UPHOLST KNEESTOP MFII	
37	1	307998-90-0	UPHOLST KNEESTOP MFII	PAIR
38	1	308018-99-0	KNEESTOP CUSH MFII	
39	1	601181-99-0	BOLT MC6S 5x25 fzb	
40	1		BEAR RACE Ø13 NYLON	
41	1	307900-40-90-0	KNEESTOP MFII	
41	1		KNEESROP BRACK MFII	
42	2	601193-99-0	BOLT MLC6S 5X45 BLACK	
42	2		BOLT MC6S 5x45 fzb	
43	4	600237-99-0	WASH BRB 5.3x10x 1 fzb	
44	2	600226-99-0	LOCK NUT M5 FZB	
45	1		BRACE KNEESTOP BRACK MFII	
46	1	600189-99-0	BOLT MC6S 5x10 fzb	
47	1	601059-99-0	WASH BRB 5.3x15x1.6 fzb	
48	2		PLASTKNOB 09-13	
49	1		SPRING 1.0x10x40	
50	1	600614-99-0	NUT M6M 5 fzb	
51	1		KNEESTOP LOCKING MFII	
52	1	600546-99-0	SET SCREW SK6SS 5x6	
53	1		KNEESTOP BRACK MFII	
54	4	601159-99-0	BOLT K6S 5X12 FZB	
55	8	600237-99-0	WASH BRB 5.3x10x 1 fzb	
56	4	600226-99-0	LOCK NUT M5 FZB	
57	1	305693-28-30-0	THIGH SUPP INCL BRACK	
57	1	305693-28-90-0	THIGH SUPP INCL BRACK	
58	1	306314-40-10-0	HEADREST MFII	
58	1	306314-40-90-0	HEADREST MFII	
59	1	306310-40-90-0	LATERAL SUPPORTS	
60	1	307900-40-90-0	KNEESTOP MFII	



Pos	Qty	Stock Code	Description	Remark
1	4	601170-99-0	BOLT K6S 5x16 fzb	
2	2		BRACK FIXLOCK	
3	8	600237-99-0	WASH BRB 5.3x10x 1 fzb	
4	8	600226-99-0	LOCK NUT M5 FZB	
5	2	303792-40-0	HOLDER SEATBELT FOURPOINT	
6	2	303793-99-0	SPACER 3Y12/8	
7	2	600239-99-0	WASHER BRB 8.4X16 FZB	
8	2	601340-99-0	BOLT K6S 8x20 fzb	
9	2		SEATBELT HOLD BACK	RH/LH
10	2		FIXLOCK TG 40	
11	2	600203-99-0	BOLT MC6S 8x 20 fzb	
12	4		BEAR RACE BUSHING Ø18	
13	1		WASH TBRSB 8.4x26x5 fzb *	
14	4	601170-99-0	BOLT K6S 5x16 fzb	
15	4	600237-99-0	WASH BRB 5.3x10x 1 fzb	
16	4	600226-99-0	LOCK NUT M5 FZB	
17	2		SEATBELT HOLD BACK	
18	1		FIXLOCK TG 40	
19	2	303792-40-0	HOLDER SEATBELT FOURPOINT	
20	2	303793-99-0	SPACER 3Y12/8	
21	2	600239-99-0	WASHER BRB 8.4X16 FZB	
22	2	601340-99-0	BOLT K6S 8x20 fzb	
23	3		FIXLOCK TG 40	



When you order spare parts, the following must always be specified:

- The product model (for example, power wheelchair C300).
- The description of the part.  
- always use the description used in this catalog.
- The entire part number.
- The quantity.

**NB!** In some cases, parts appear in the spare part catalog without a part number. This means that the part cannot be ordered from Permobil. We have, however, chosen to describe it for your information. Standard components such as screws, nuts, washers and similar parts can be purchased in an ordinary shop using the information in this catalog.

## Description of Positioning list

The positioning list consist of:

**A** = Indicates the sparepart-group covered by the catalog.

**B** = Indicates part of the sparepart-group.

**C** = Under C there are five columns:

- 1** = Pos.no: Position number
- 2** = Pcs: Total number of given pos-no.
- 3** = Part no.: Part number
- 4** = Description: Article name
- 5** = Remark: Reserved for additional information such as reservations, restrictions etc.



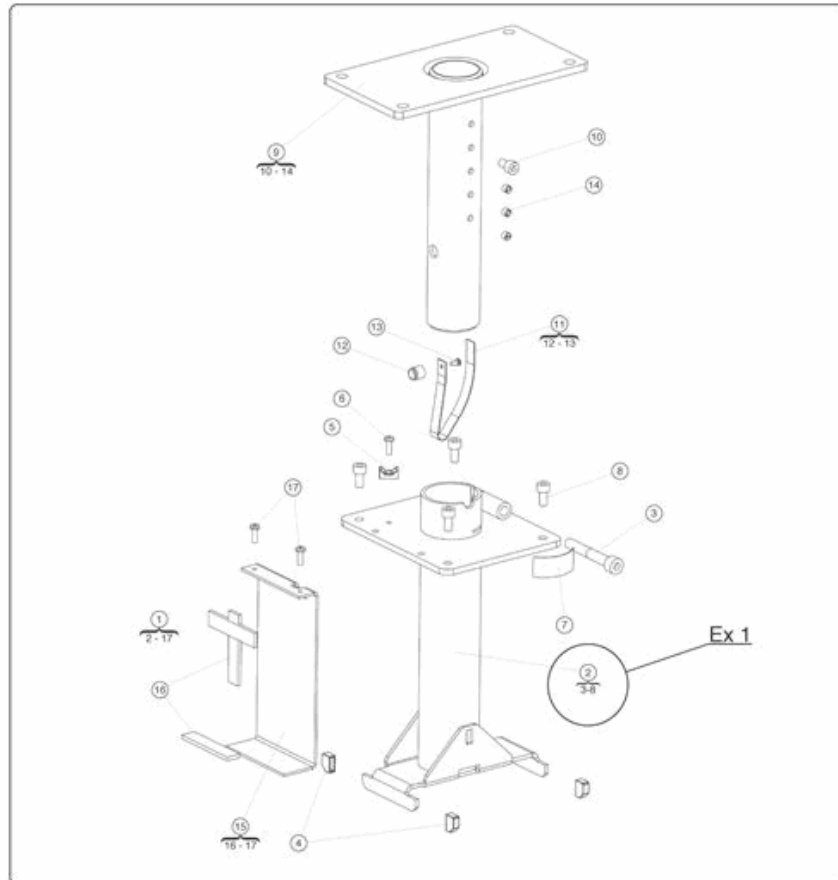
1	2	3	4	5
Pos no.	Pcs	Part no.	Description	Benämning
1	1	1820446	Seat Tube	Sitsrör fast
1	1	1820418	Seat Tube for tilt	Sitsrör fast för sitslutning
<b>2</b>	<b>1</b>		<b>Outer tube</b>	<b>Ytterrör</b>
3	1		Screw ISO 4762 M8x55 fzb	Skruv ISO 4762 M8x55 fzb
<b>4</b>	<b>4</b>	<b>1820421</b>	<b>Cap</b>	<b>Hätta</b>
5	1		Cable Tie Holder 10x15	Buntbandsfäste 10x15
6	1		Screw ISO 7380 M4x6 fzb	Skruv ISO 7380 M4x6 fzb
7	1		Nut DIN 985 M4 fzb	Mutter DIN 985 M4 fzb
8	4		Screw ISO 4762 M6x10 fzb	Skruv ISO 4762 M6x10 fzb
9	1	1820422	Inner tube	Innerrör
9	1	1820419	Inner tube for tilt	Innerrör för tilt
10	1		Screw ISO 4762 M6x10 fzb	Skruv ISO 4762 M6x10 fzb
11	1		Bracket	Fjäder
12	1		Stop	Stång
13	1		Screw ISO 7380 M3x6 fzb	Skruv ISO 7380 M3x6 fzb
14	1		SLS Bracket	SLS fäste
				Remark/Anm.

**Part**

A part consists of one or more parts. If a part consists of several parts, a bracket in connection with the part's item bubble is used to show the parts included in the part in the exploded views. See example 1.

**Quantity**

The quantity specified in front of a part is the total quantity for the entire product.

**Example 1:**

The fixed seat tube, pos 2, includes pos 3 to 8, that are indicated in the bracket below (see above).

**Example 2:**

If a outer tube, pos 2, is ordered, the quantity is 1. In other words, there is just one outer tube on the chassis. However, if you look at the number of parts included, the quantity may vary. For example, in pos 4, the complete outer tube comprises 4 parts.

Vid beställning av reservdelar skall följande alltid anges:

- Produktmodell (ex.vis elrullstol C300).
- Artikelns benämning.  
- använd samma benämning som i denna reservdelskatalog vid beställning.
- Hela artikelnumret.
- Antal.

**OBS!** I reservdelskatalogen förekommer i vissa fall detaljer utan angivet artikelnr. Det innebär att detaljen inte går att beställa från Permobil, men vi har ändå valt att beskriva dem för din information. Standardkomponenter så som skruv, mutter, bricka och liknande detaljer kan införskaffas i den ordinarie detaljhandeln med hjälp av informationen i denna katalog.

## Beskrivning av positionslistor

Positionslistan består av:

A = Visar vilken produkt katalogen beskriver.

B = Visar vilken del av produkten som visas på aktuell sida.

C = Under C finns fem kolumner:

- 1 = Pos.no: Positionsnummer
- 2 = Pcs: Antal detaljer som ingår i aktuellt pos.nummer
- 3 = Part no.: Artikelnummer
- 4 = Benämning: Artikelns benämning (svensk och engelsk benämning)
- 5 = Anmärkning: Plats för ev. tilläggsinformation, förbehåll etc.



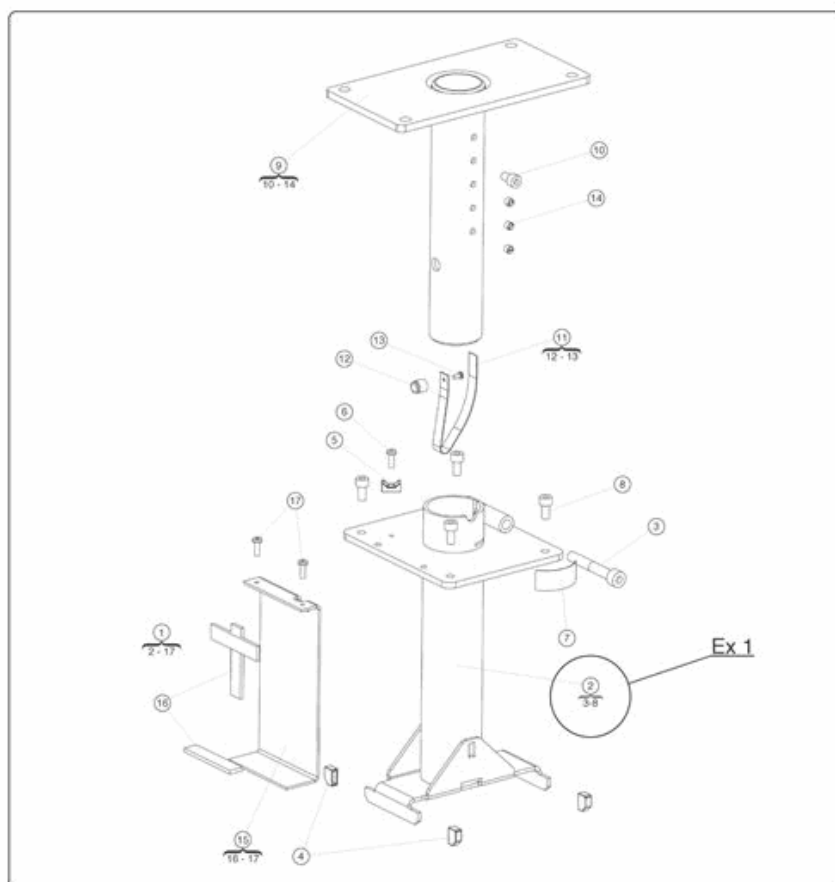
1	2	3	4	5
Pos no.	Pcs	Part no.	Description	Benämning
1	1	1820446	Seat Tube	Sitsrör fast
1	1	1820418	Seat Tube for tilt	Sitsrör fast för sitslutning
<b>2</b>	<b>1</b>		<b>Outer tube</b>	<b>Ytterrör</b>
3	1		Screw ISO 4762 M8x55 fzb	Skruv ISO 4762 M8x55 fzb
<b>4</b>	<b>4</b>	<b>1820421</b>	<b>Cap</b>	<b>Hätta</b>
5	1		Cable Tie Holder 10x15	Buntbandsfäste 10x15
6	1		Screw ISO 7380 M4x6 fzb	Skruv ISO 7380 M4x6 fzb
7	1		Nut DIN 985 M4 fzb	Mutter DIN 985 M4 fzb
8	4		Screw ISO 4762 M6x10 fzb	Skruv ISO 4762 M6x10 fzb
9	1	1820422	Inner tube	Innerrör
9	1	1820419	Inner tube for tilt	Innerrör för tilt
10	1		Screw ISO 4762 M6x10 fzb	Skruv ISO 4762 M6x10 fzb
11	1		Bracket	Fjäder
12	1		Stop	Stång
13	1		Screw ISO 7380 M3x6 fzb	Skruv ISO 7380 M3x6 fzb
14	1		SLS Bracket	SLS fäste

**Artikel**

En artikel består av en eller flera detaljer. Om en artikel består av flera detaljer är det markerat i sprängskisserna med ett klamer i anslutning till artikelns posbubbla där det står vilka detaljer som ingår i artikeln. se Ex 1.

**Antal**

Det angivna antalet framför en artikel är det sammanlagda antalet för hela produkten.

**Ex 1:**

I fast sitsrör Pos. 2, ingår poserna 3till 8 som står i klamret under. (se ovan)

**Ex 2:**

Beställs ett Ytterrör, pos. 2, så står det att antalet är 1. Det finns med andra ord bara ett ytterrör på chassit. Men om man tittar på antalet i ingående detaljer, så kan antalet variera, i tex. pos 4 är det 4 st för att ytterröret ska vara komplett.

**Notes**

---

A series of horizontal dashed lines for writing notes, consisting of 20 rows.





PAB no: 1227-1