

VS

Seating system for Permobil power wheelchair



VS

Spare Part Catalog Reservdelskatalog

CONTACT PERMOBIL:

Permobil AB

Box 120
861 23 Timrå
Sverige
Tel: 060-59 59 00
Fax: 060-57 52 50
E-post: info@permobil.se

Permobil Inc. USA

6961 Eastgate Blvd.
Lebanon, TN 37090
USA
Phone: 800-736-0925
Fax: 800-231-3256
Email: info@permobilusa.com

Permobil AS

Hvamsvingen 22
2013 Skjetten
Norge
Tlf. 48 12 90 00
Fax. 63 84 48 50
E-post: firmapost@permobil.no

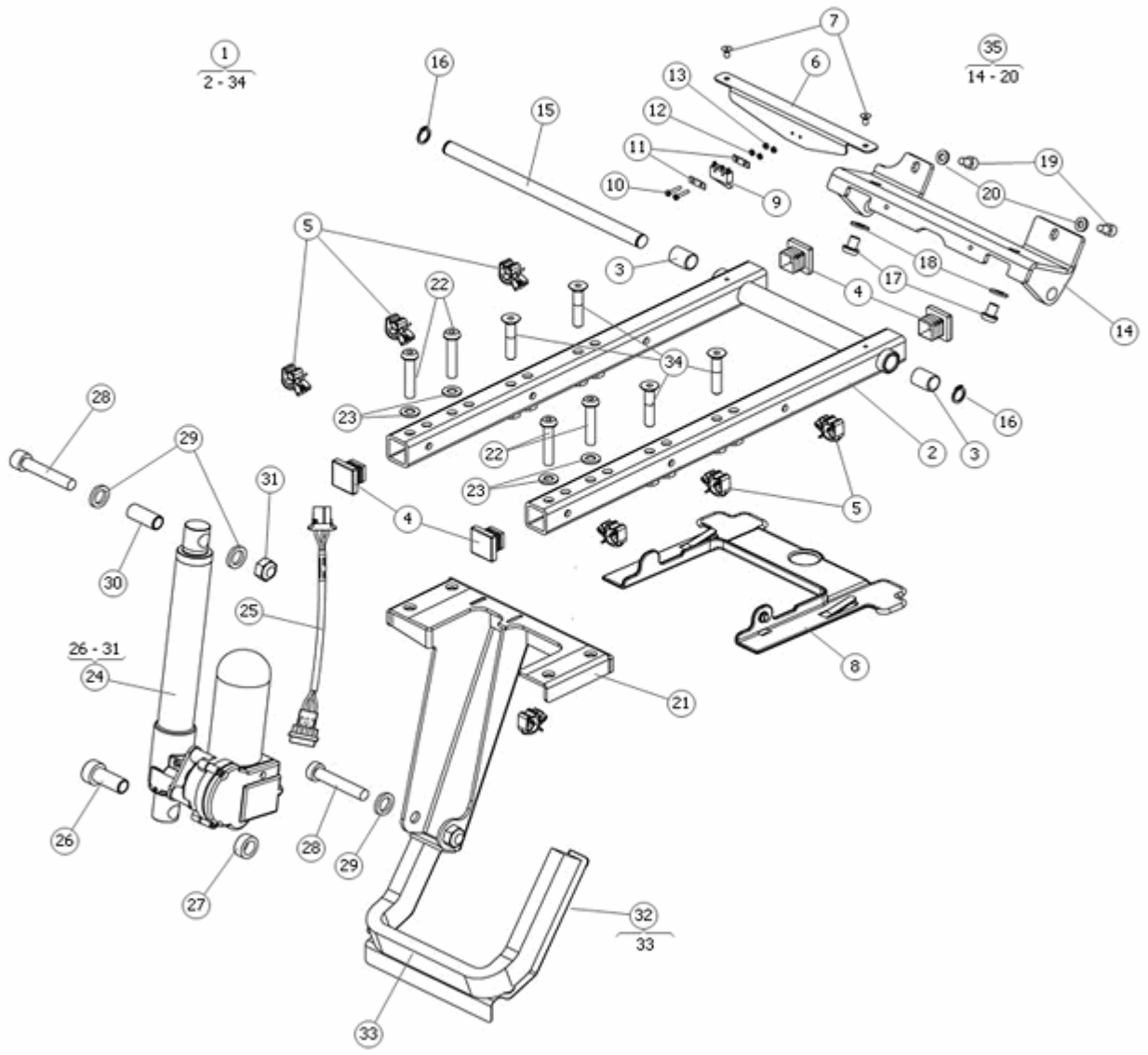
Permobil Europe BV

De Doom 22
NL-6419 CX Heerlen
Netherlands
Tel: +31 (0)45 564 54 90
Fax: +31 (0) 45 564 54 91
Email: europe@permobil.nl

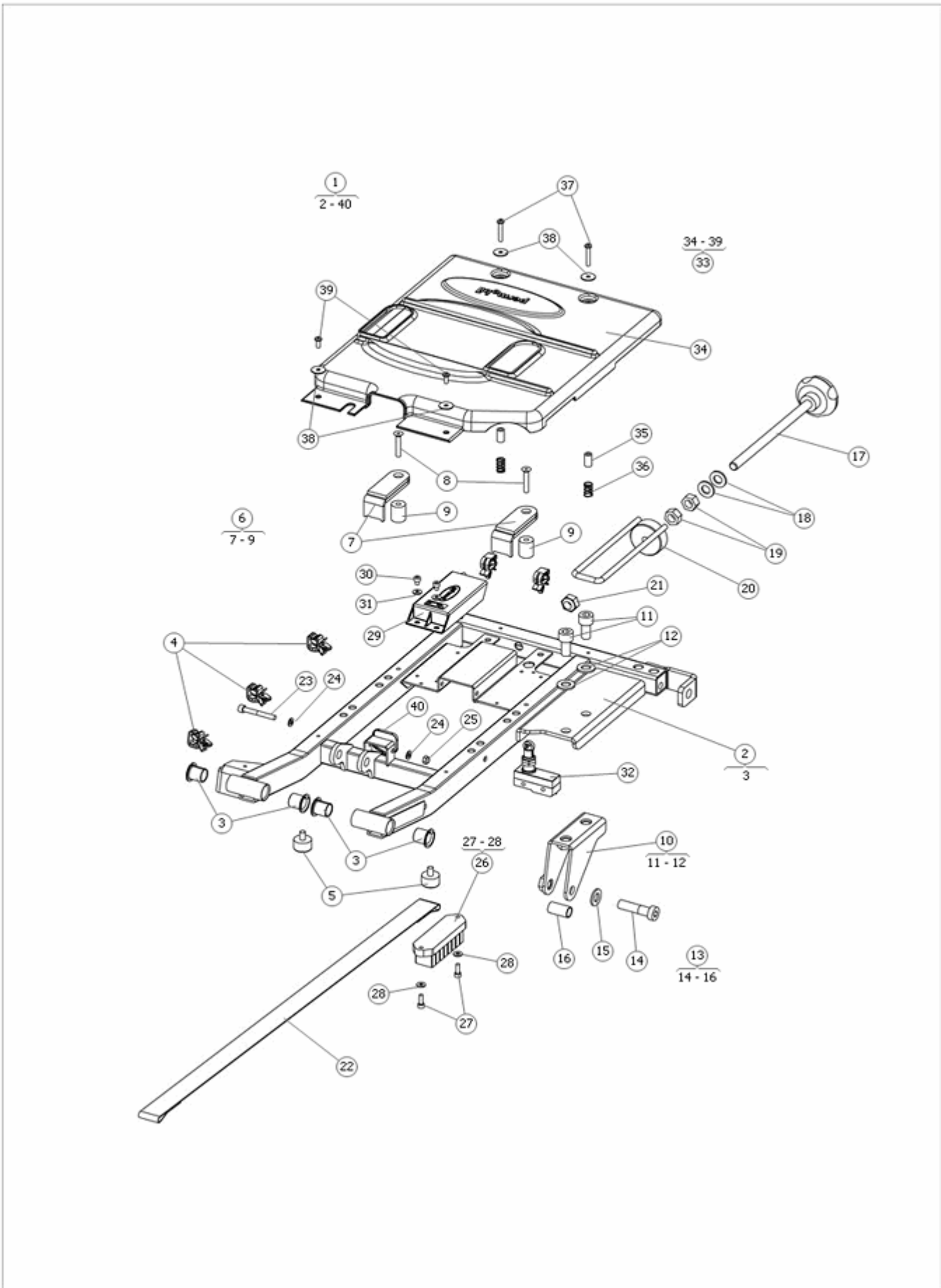
Produced and published by Permobil AB, Sweden
2010-11
PAB: 1251

Contents	Page
Tilt.....	
Lower frame	
Frame	
Armrest.....	
Backrest	
Backrest slide	
Legrest bracket easy glide	
Legrest bracket.....	
Legrest Std.	
Legrest Stand and drive.	
Legrest Junior.	
Legrest Junior NL	
Legrest Junior stand and drive NL.	
Electronics	
Ordering Information.....	

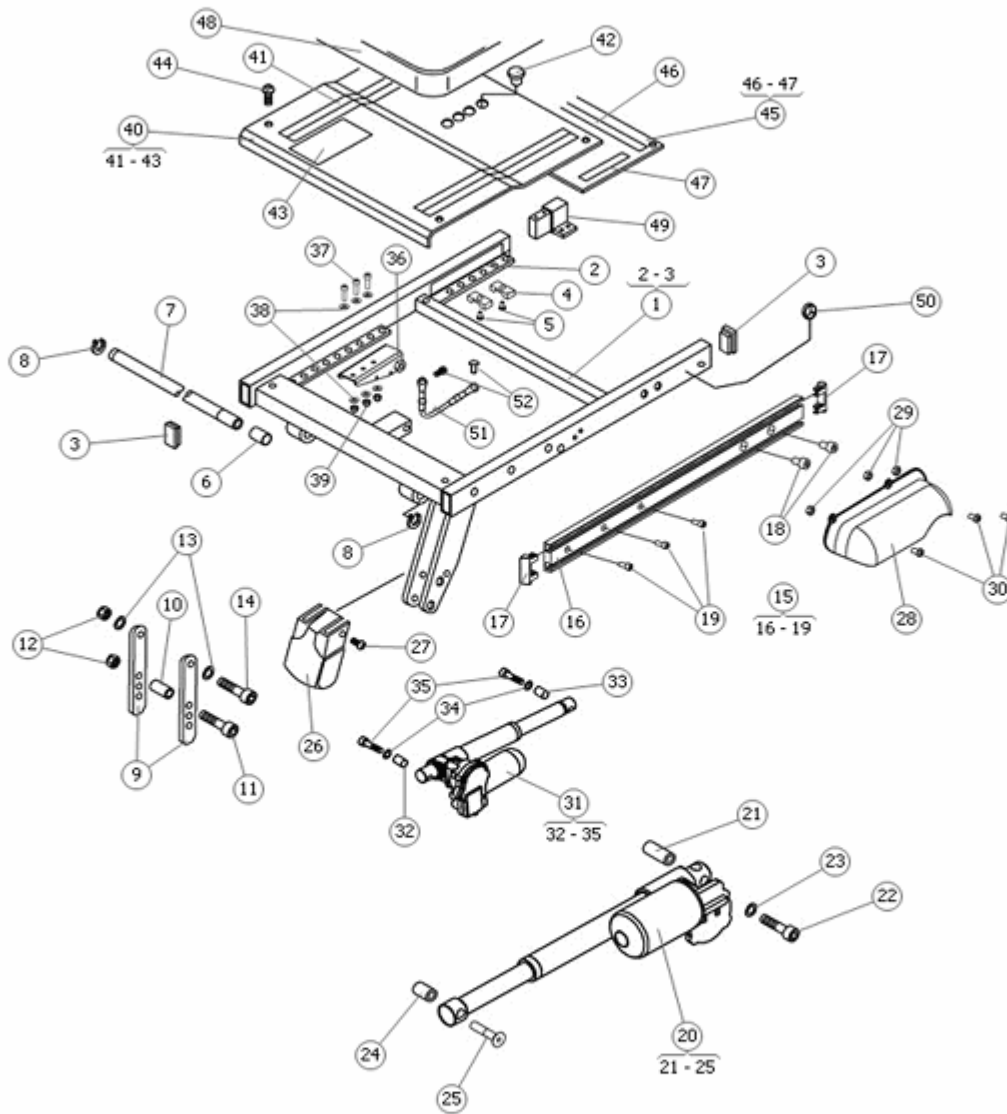
Innehåll	Sida
Tilt.....	
Undre ram.....	
Ram.....	
Armstöd	
Ryggstöd	
Glidrygg	
Benstöds infästning easy glide.....	
Benstöds infästning	
Benstöds Std.	
Benstöds Stand and drive	
Benstöds Junior.....	
Benstöds Junior NL	
Benstöds Junior Stand and drive NL	
Elektronik.....	
Beställningsinformation	



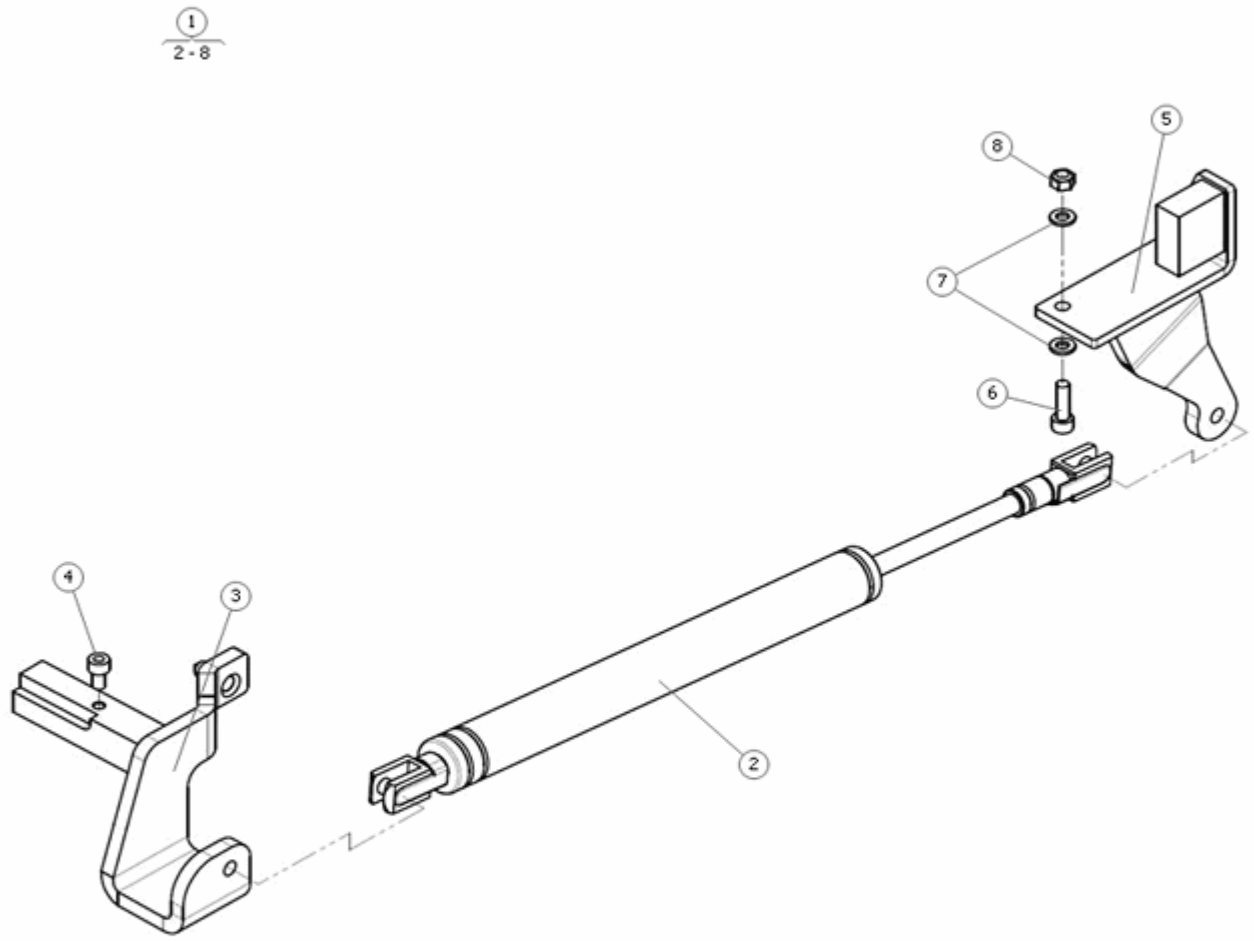
Pos	Qty	Stock Code	Description	Remark
1	1	1821823	INSTALL ASSEMBLY SEAT TILT	
2	1	316126	FRAME TILT	
3	2	602186-99-0	SLIDE BEAR 121425 F *	
4	4	613194	PLASTIC PLUG 25x25 (23-19x23-19)	
5	4	1821422	CABLE CLIP Ømax=12,5mm (4PCS)	
6	1	316291	HOLDER SWITCH	
7	2	600207	SCREW ISO 10642 M4x8 10.9	
8	1	1821825	SQUEEZE GUARD COVER	
9	1	1821900	CABLE CRUSH PROTECT	
10	2	602560-99-0	BOLT MRX-H M2.3x14 fzb	
11	2	307619	WASH 6x18x0.7 M.SWITCH *	
12	2	601321-99-0	WASH AZ 2.5x5x0.4 fzb BR AZ 2.5x 5x0,4 fzb	
13	2	600594-99-0	NUT M6M 2.3 fzb *	
14	1	308837	HINGE	
15	1	306114-99-0	SHAFT BACK HINGE SEAT TILT 30° HVII	
16	2	601225-99-0	CIRCLIP SgA 12 DIN471 *	
17	2	613298	M8x12 Fe/Zn ISO 4017	
18	2	600239-99-0	WASH ISO 7089 8.4x16x1.6 Fe/Zn	
19	2	600192-99-0	BOLT MC6S 6x12 fzb *	
20	2	600238-99-0	WASH BRB ISO 7089 6.4x12x1.6 fzb STD	
21	1	315754	BRACKET TILT VS	
22	4	613114	SCREW ISO 7380 M8x40 10.9	
23	4	600239-99-0	WASH ISO 7089 8.4x16x1.6 Fe/Zn	
24	1	1821990	ACTUATOR SEAT TILT V-SEAT RE25 INCL. BOLTKIT	
25	1	1821899	CABLE EXTENSION 1000mm	
26	1	316123	BUSH FRONT TILT	
27	1	316124	SPACER	
28	2	601948-99-0	BOLT MLC6S 10x55 fzb *	
29	3	600241-99-0	WASH BRB 10.5x20x2 fzb *	
30	1	302330-99-0	ACTU SLEEVE 30	
31	2	600229-99-0	LOCK NUT M10 FZB *	
32	1	1821824	SQUEEZE GUARD COVER	
33	1	315684	SQUEEZE GUARD CELLULAR RUBBER	
34	4	601924	SCREW ISO 10642 M8x40 10.9	
35	1	1822466	HINGE SEAT TILT	



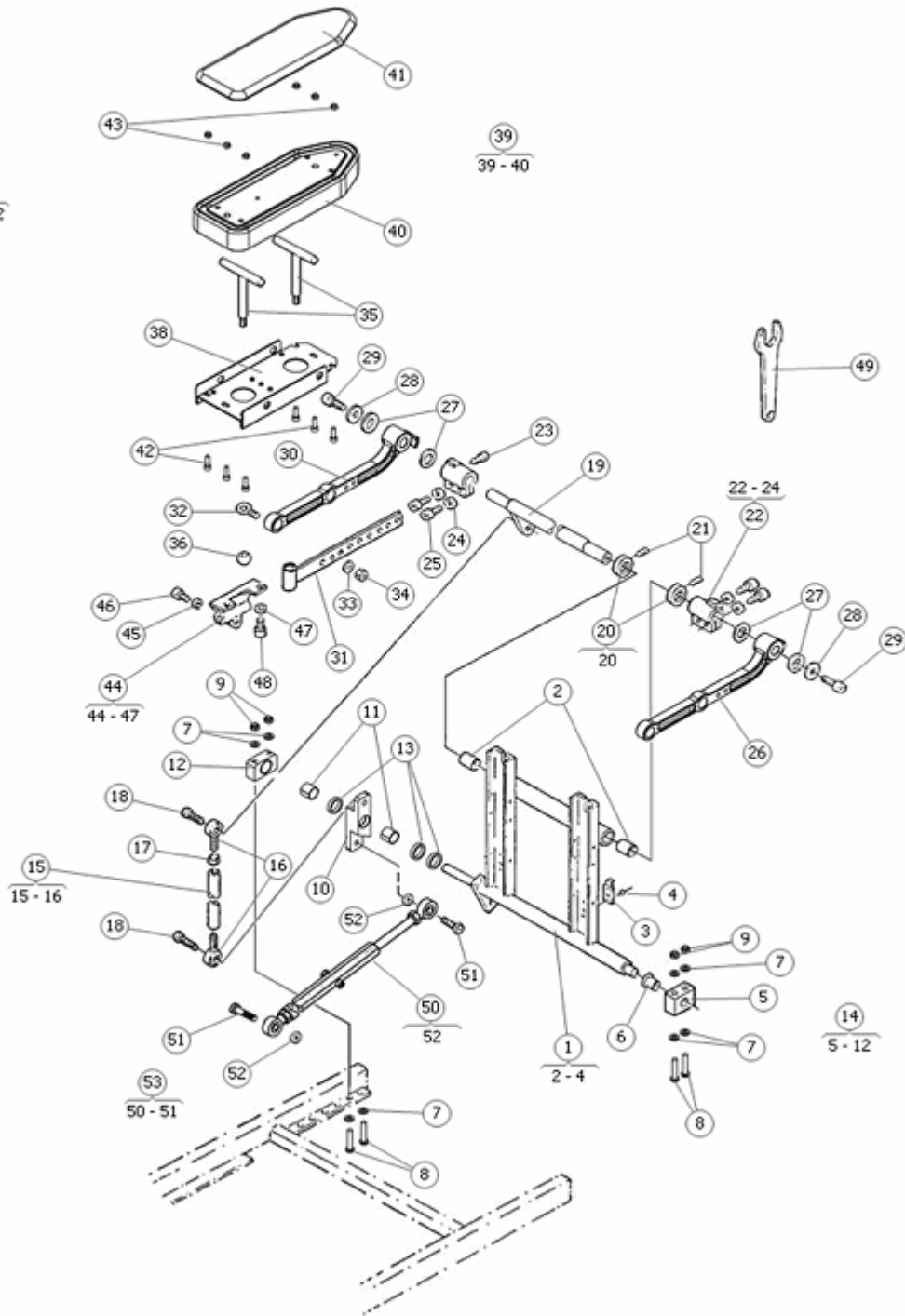
Pos	Qty	Stock Code	Description	Remark
1	1	316193	UPPER FRAME COMPLETE	
2	1	1821994	FRAME LOWER	
3	4	601329-99-0	SLIDE BEAR 141617 FLANGE *	
4	5	1821422	CABLE CLIP Ømax=12,5mm (4PCS)	
5	2	602639-99-0	RUBBER BLOCK MN60 M6*10 3018055	
6	1	1822211	FRAME SUPPORT VS	
7	2	316201	FRAME SUPPORT	
8	2	601424-99-0	BOLT MF6S 5x30 fzb *	
9	2	316520	SPACER L=20 Ø16 Ø5,5	
10	1	1822079	BRACKET ACTUATOR LEGREST VS	
11	2	600110	SCREW ISO 4762 M10x20 8.8 Fe/Zn 8 C1	
12	2	600241-99-0	WASH BRB 10.5x20x2 fzb *	
13	1	1822087	SCREW KIT ACTU	
14	1	613293	SCREW DIN 7984 M10x40 8.8 Fe/Zn 8 C1	
15	1	600241-99-0	WASH BRB 10.5x20x2 fzb *	
16	1	1825219	SPACER L=24	
17	1	1822080	TENSION BAR LEGREST	
18	2	600241-99-0	WASH BRB 10.5x20x2 fzb *	
19	2	600256-99-0	NUT M6M 10 fzb ISO4032 *	
20	1	304455-99-0	BELT TENSION KNEE STOP HV VIII	
21	1	600229-99-0	LOCK NUT M10 FZB *	
22	1	1822212	WEB.BELT KNEESUPPORT	
23	1	613297	SCREW ISO 4762 M5x40 8.8 Fe/Zn 5 C1	
24	2	600237-99-0	WASH BRB 5.3x10x1 fzb *	
25	1	600226-99-0	LOCK NUT M5 FZB *	
26	1	1821304	JUNCTION BOX 8-POSITION 3-POLE LIN	
27	2	600184-99-0	BOLT MC6S 4x12 fzb *	
28	2	600741	WASHER 4 Fe/Zn 5 C1 (BRB 4,3x10x1)	
29	1	1822082	GENERAL MODULE RAISE V-SEAT ICS	
30	2	601282	SCREW ISO 4762 M4x5 8.8 Fe/Zn 5 C1	
31	2	600741	WASHER 4 Fe/Zn 5 C1 (BRB 4,3x10x1)	
32	1	1821922	CABLE CRUSH PROTECT	
33	1	1822081	CRUSH GUARD KIT	
34	1	316290	COVER CRUSH GUARD	
35	2	613257	SPACER Ø4,2xØ8x15 PA66	
36	2	613258	SPRING TF 0,75x9x15	
37	2	602586	SCREW ISO 7380 M4x25 10.9 Fe/Zn 5 C1	
38	4	601974-99-0	WASH SRB 4,3x16x1 fzb *	
39	2	601187-99-0	BOLT K6S 4x10 fzb *	
40	1	602774	CABLE TIE 4,6x200 PA6.6 UV-RESISTANT BLACK	



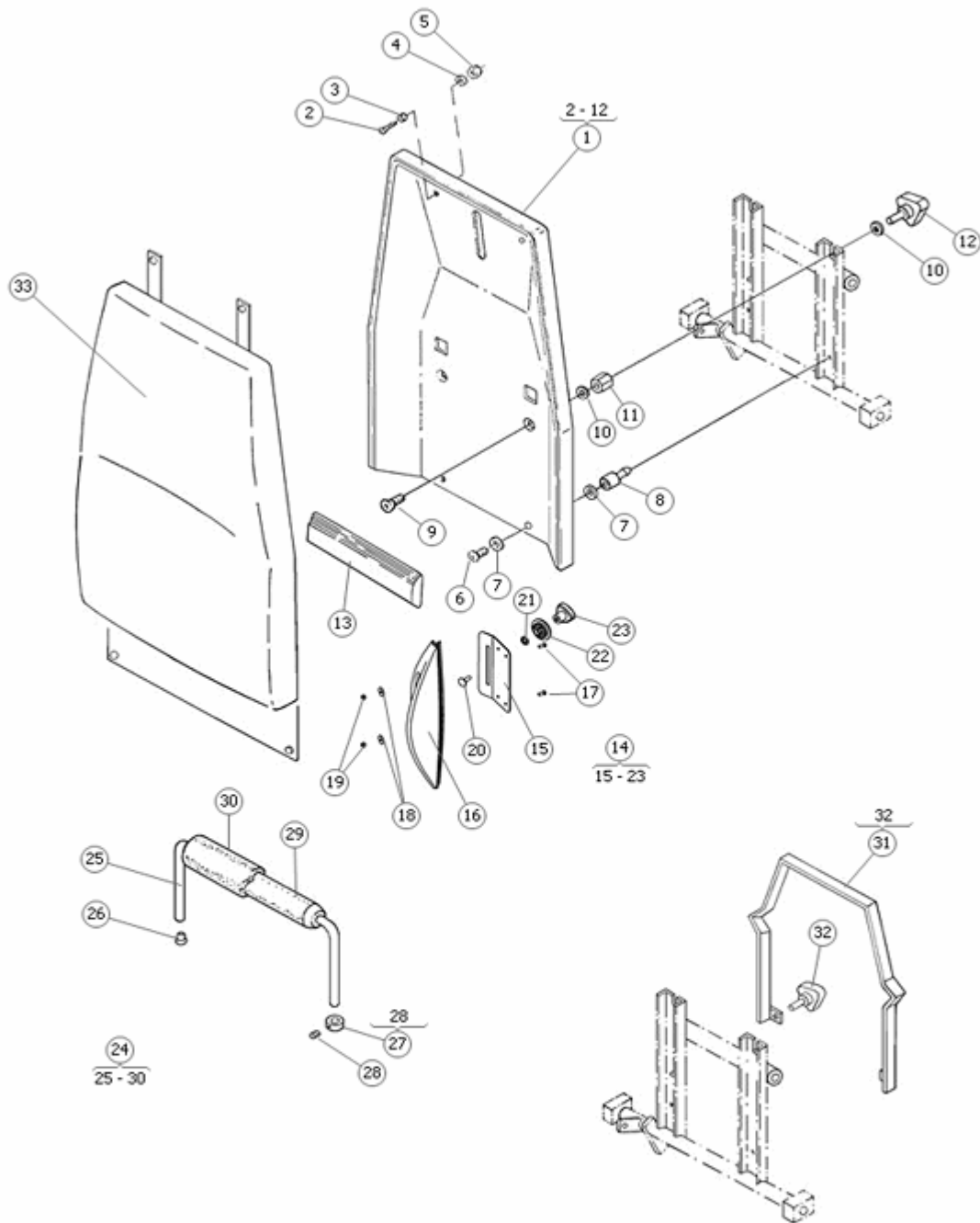
Pos	Qty	Stock Code	Description	Remark
1	1	1824274	SEAT FRAME VS	WHEN FALL DOWN PROTECTION IS MOUNTED
1	1	308783-28-0	SEAT FRAME JUNIOR	Junior
1	1	302798-28-0	SEAT FRAME VS	
2	2	306745-99-0	DECAL SEATDEPTH ADJUST HV *	
3	1	1821420	PLAST PLUG FRAME	SET OF 4
4	5	601204-99-0	CABLE TIE HOLD TM 2 S8 *	
5	5	601436-99-0	BOLT MRX-TT-Z 4x8 fzb *	
6	2	601331-99-0	SLIDE BEAR 141625 A *	
7	1	302943-99-0	SHAFT UPPER LEGREST HV VIII	
8	2	600504-99-0	CIRCLIP SGA 14 *	
9	2	303028-28-0	WEB BELT TIGHTENER LEG VIII COMBI	
10	1	305733-99-0	ROLL 30mm V *	
11	1	600197-99-0	BOLT MC6S 6x45 fzb *	
12	2	600227-99-0	LOCK NUT M6 FZB *	
13	2	600238-99-0	WASH BRB ISO 7089 6.4x12x1.6 fzb STD	
14	1	601385-99-0	BOLT MC6S 6x50 fzb *	
15	1	1821773	ADJUSTMENT BRACKET KIT	Std.
15	1	1821772	ADJUSTMENT BRACKET KIT JUNIOR	JUNIOR
15	1	1821774	ADJUSTMENT BRACKET KIT WIDE	SENIOR WIDE
15	1	1821779	ADJUSTMENT BRACKET KIT JUNIOR WIDE	JUNIOR WIDE
16	2	315482	ADJUSTMENT BRACKET	Std.
16	2	315483	ADJUSTMENT BRACKET JUNIOR	Junior
16	1	315478	ADJUSTMENT BRACKET WIDE LEFT	Senior Wide LEFT
16	1	315479	ADJUSTMENT BRACKET WIDE RIGHT	SENIOR WIDE RIGHT
16	1	315480	ADJUSTMENT BRACKET JUNIOR WIDE LEFT	JUNIOR WIDE LEFT
17	4	1824301	PLASTICPLUG 11x40	STD TRACK
17	4	1824302	PLASTICPLUG 25x40	WIDE TRACK
18	4	600705-99-0	BOLT MC6S 8x 12 fzb *	
18	4	600499-99-0	SCREW ISO 4762 M8x25 Fe/Zn	Senior Wide
19	6	600169-99-0	SCREW ISO 4762 M5x 12 fzb *	
19	6	601181-99-0	SCREW ISO 4762 M5x25 Fe/Zn	Senior Wide
20	1	1822060	ACTU RAISING	WITH BOLT KIT
21	1	302330-99-0	ACTU SLEEVE 30	
22	1	601231-99-0	BOLT MC6S 10x 55 fzb *	
23	2	602164-99-0	WASH BRB 10.5x22x2 fzb *	
24	1	302330-99-0	ACTU SLEEVE 30	
25	1	601382	SCREW DIN 7991 M10x50 fzb	
26	1	303030-00-0	PROTECT ACTU BRACK HV VIII	
27	2	601381-99-0	BOLT K6S 4x 8 fzb *	
28	1	1822085	COVER ACTU	
29	3	600232-99-0	NUT M6M 6 fzb *	
30	3	601370-99-0	BOLT K6S 6x20 fzb *	
31	1	1822062	ACTU BACK	WITH BOLT KIT
32	1	302330-99-0	ACTU SLEEVE 30	
33	1	1825219	ACTU SLEEVE	
34	2	600241-99-0	WASH BRB 10.5x20x2 fzb *	
35	2	600277-99-0	BOLT MC6S 10x45 fzb ISO 4762	
36	1	1822084	BACKREST ACTU BRACKET	
37	3	601675-99-0	BOLT K6S 6x16 fzb *	
38	6	600238-99-0	WASH BRB ISO 7089 6.4x12x1.6 fzb STD	
39	3	600227-99-0	LOCK NUT M6 FZB *	
40	1	302997-28-0	SEAT PLATE VIII	
40	1	309466-28-0	SEAT PLATE JUNIOR VIII	Junior
41	2	600587-99-0	VELCRO HOOK SELF.ADHES 30mm	
42	3	601665-99-0	PLAST PLUG 55-10154 SEAT PLATE C HV	
43	1	311213-99-0	DECAL SEAT DEPTH ADJUST VIII	
44	4	601353-99-0	BOLT K6S 5x10 fzb *	
45	1	1820552	SEAT PLATE MOVEABLE	
45	1	309464-28-0	SEAT PLATE MOVEABLE JUNIOR	Junior
46	1	600587-99-0	VELCRO HOOK SELF.ADHES 30mm	
47	1	306745-99-0	DECAL SEATDEPTH ADJUST HV *	
47	1	309463-99-0	DECAL SEATDEPTH ADJUST JUNIOR	Junior
48	1	306735-99-6...	SEAT CUSH ERGO 450x420 CII VIII	
48	1	306735-99-9...	SEAT CUSH ERGO 450x420 CII HV VIII	
48	1	311156-99-6...	SEAT CUSH ERGO 420x370 CII VIII	
48	1	311156-99-9...	SEAT CUSH ERGO 420x370 CII VIII	
48	1	311397-99-6...	SEAT CUSH ERGO 450x450 CII VIII	
48	1	311397-99-9...	SEAT CUSH ERGO 450x450 CII VIII	
48	1	306431-99-6...	SEAT CUSH ERGO 450x500 CII VIII	
48	1	306431-99-9...	SEAT CUSH ERGO 450x500 CII VIII	
48	1	306471-99-6...	SEAT CUSH ERGO 450x560 CII VIII	
48	1	306471-99-9...	SEAT CUSH ERGO 450x560 CII VIII	
49	1	303006-28-...	SEAT EXT HV *	SET OF 2
50	1	310129-99-0	ANGLE MEASUR CONBI CTRL VIII	
51	1	307713-00-0	CABLE GALVANIC JUNCTION L=100	
52	2	601436-99-0	BOLT MRX-TT-Z 4x8 fzb *	



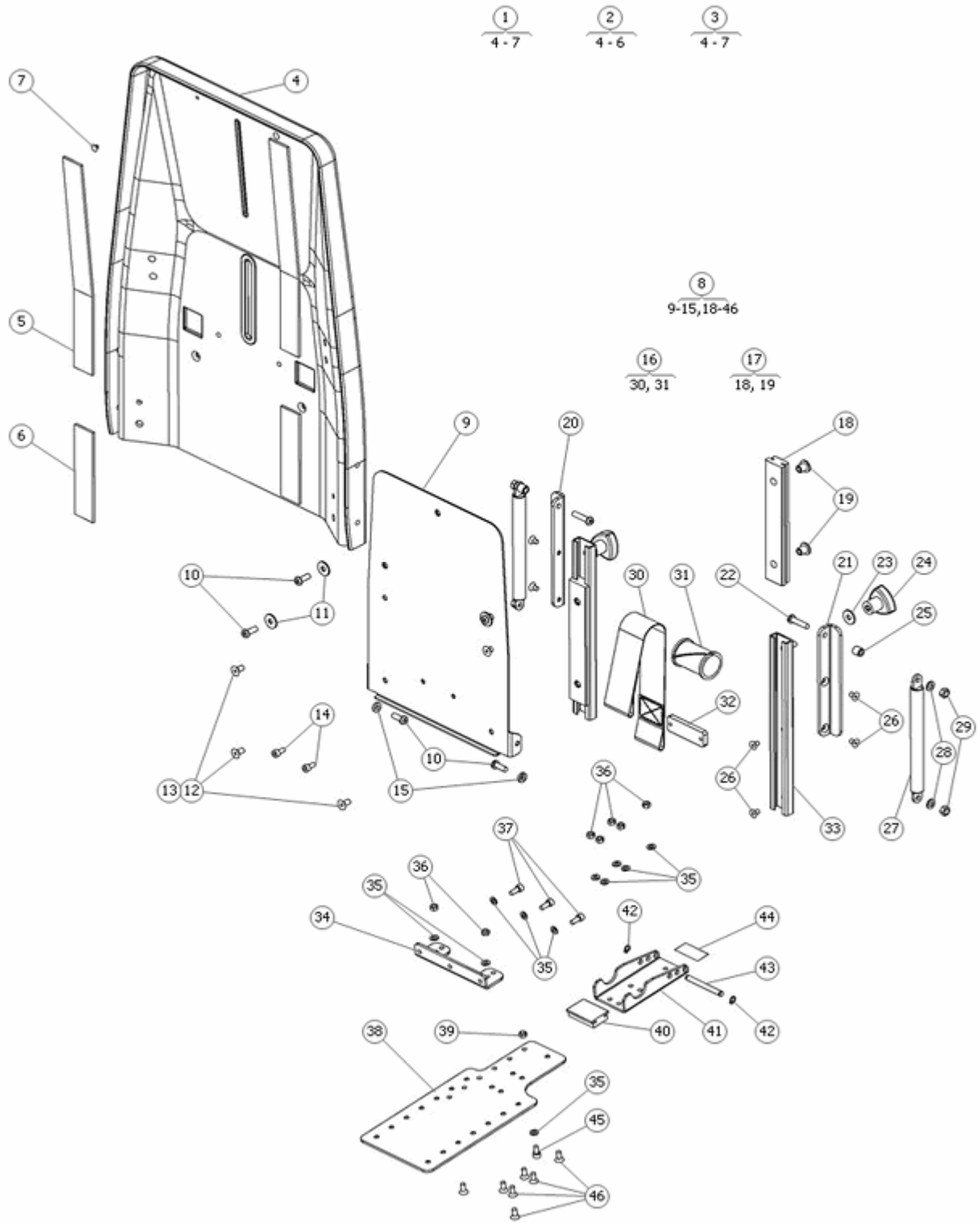
Pos	Qty	Stock Code	Description	Remark
1	1	1821781	Servo Kit, Complete	
2	1	612605	Gas Strut, 200mm 1200N Tension	
3	1	315590	Bracket, Rear	
4	1	600888	Bolt, MC6S 6x10 fzb 8.8 DIN912 ISO4762	
5	1	315553	Bracket, Front	
6	1	600194	Bolt, MC6S 6x20 fzb 8.8 DIN912 ISO4762	
7	2	600238	WASH BRB 6.4x12x1.6 fzb DIN125A ISO7089	
8	1	600227	Lock Nut M6 Low fzb DIN982 ISO7040	



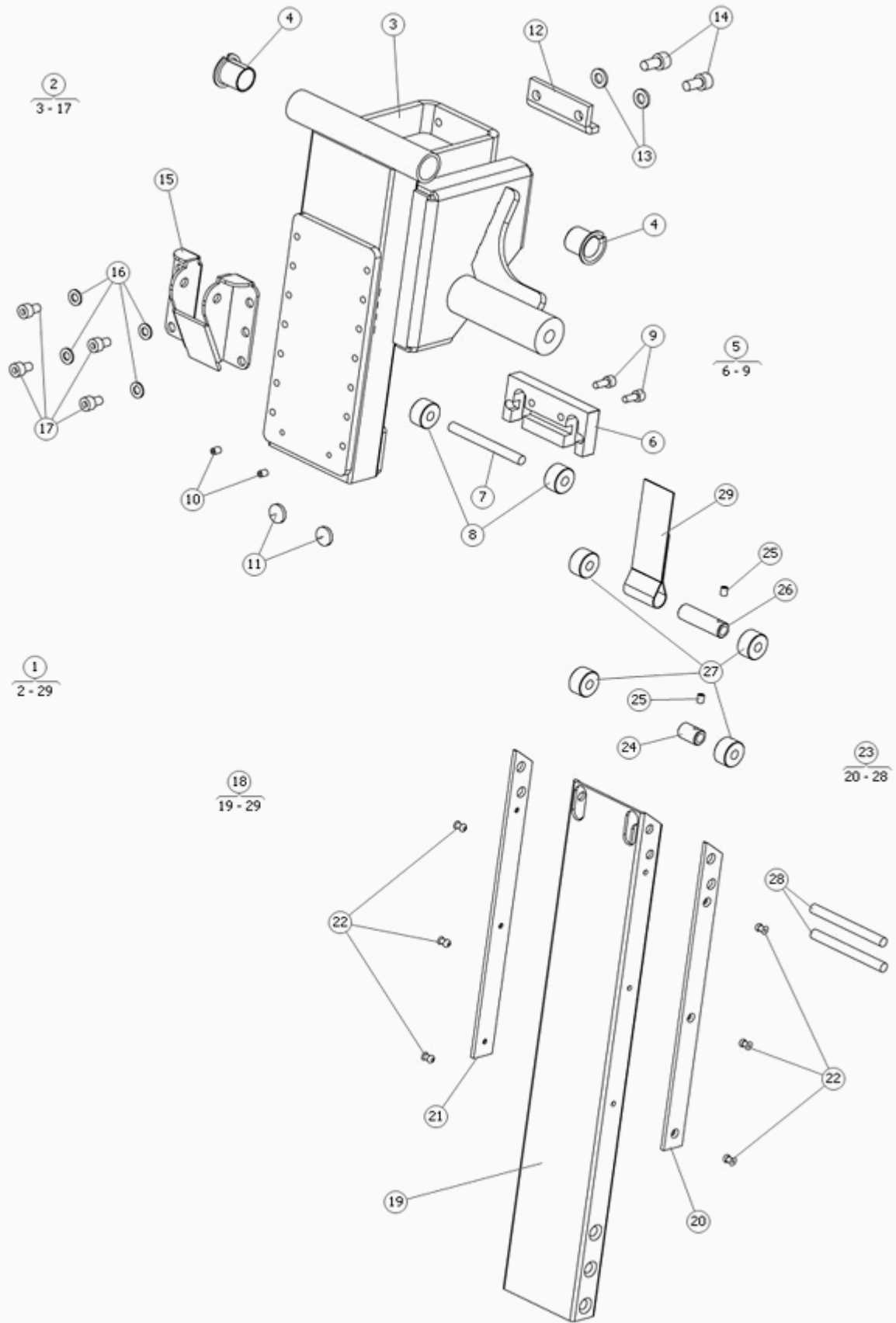
Pos	Qty	Stock Code	Description	Remark
1	1	1822083	BACKR HINGE V.3 VIII *	
2	2	601844-99-0	SLIDE BEAR 202325 A ARMR PLG	
3	2	601375-99-0	QUICK LOCK BACK HV *	
4	4	601376-99-0	DUMMY RIVET TAP/D 46BS 3.2x7.9	
5	1	305921-28-0	BEAR.HOUSE W.FL.BEAR. FRAME VIII	
6	1	601377-99-0	SLIDE BEAR 151717 FLANGE *	
7	8	600238-99-0	WASH BRB ISO 7089 6.4x12x1.6 fzb STD	
8	4	601756-99-0	SCREW ISO 4762 M6x40 Fe/Zn	
9	4	600227-99-0	Nut DIN 985 M6 Fe/Zn	
10	1	306537-28-0	BRACE BEAR.TUBE FRAME VIII	
11	2	613119-99-0	SLIDE BEAR 17/19x15 SBT	
12	1	316016	BEARING RACE	
13	3	313347-28-0	SPACER	
14	1	306541-28-0	BRACE BEAR KIT VIII	
15	1	302919-28-0	TIE BAR SEAT FRAME VIII	
16	2	600016-99-0	LINK R SOCK HEAD SM 8 *	
17	1	600233-99-0	NUT M6M 8 BHB fzb *	
18	2	602165-99-0	SCREW ISO 7380 M8x25 Fe/Zn	
19	1	306482-99-0	RAIL ARMOR BRACK PLG NARRO HV V HVII VII	
19	1	302859-99-0	RAIL ARMOR BRACK PLG HV VIII VS	STD
19	1	304969-99-0	RAIL ARMOR BRACK PLG WIDE +50	
20	2	301658-99-0	STOP COLLAR ARMOR C CII HV HD	
21	2	600546-99-0	SET SCREW SK6SS 5x6 *	
22	2	302717-28-1	CLAMP RING ARMOR CII	
22	2	302717-28-2	CLAMP RING ARMOR CII	
22	2	1822340	CLAMP RING ARMOR CII	
22	2	1822339	CLAMP RING ARMOR CII	
23	2	601126-99-0	BOLT MC6S 5x 6 fzb *	
24	2	601427-99-0	WASH BRB 8.4x15x1.6 fzb DIN 433	
25	2	601127-99-0	BOLT MC6S 8x 22 fzb *	
26	1	302723-28-1	ARMOR BRACK PLG ARMOR	
26	1	302723-28-2	ARMOR BRACK PLG ARMOR	
27	4	602193	CUP SPRING 28x14.2x1	
28	2	602164-99-0	WASH BRB 10.5x22x2 fzb *	
29	2	600701-99-0	BOLT K6S 10x16 fzb *	
30	1	302723-28-1	ARMOR BRACK PLG ARMOR	
30	1	302723-28-2	ARMOR BRACK PLG ARMOR	
31	2	302856-28-0	CHEST ROLL BRACK VIII	
32	4	303003-99-0	LINK BOLT PLG ARMOR	
33	4	602191-99-0	SPACER DB 8X14X0.3 *	
34	4	600228-99-0	LOCK NUT M8 FZB *	
35	4	302718-99-0	T-BRACK SHORT ARMOR PLG	
36	4	601395-00-0	HANDLE KNOB 20 M5 *	
37	1	1822782	ARMREST 10", BLACK FABRIC DUAL TAPER, COMPLETE, CII	
37	1	1822783	ARMREST 12", BLACK FABRIC DUAL TAPER, COMPLETE, CII	
37	1	1822784	ARMREST 14", BLACK FABRIC DUAL TAPER, COMPLETE, CII	
37	1	1822785	ARMREST 16", BLACK FABRIC DUAL TAPER, COMPLETE, CII	
37	1	1822786	ARMREST 10", LEATHERETTE DUAL TAPER, COMPLETE, CII	
37	1	1822787	ARMREST 12", LEATHERETTE DUAL TAPER, COMPLETE, CII	
37	1	1822788	ARMREST 14", LEATHERETTE DUAL TAPER, COMPLETE, CII	
37	1	1822789	ARMREST 16", LEATHERETTE DUAL TAPER, COMPLETE, CII	
38	2	1822153	ARMOR GUIDE PLATE 250 - 300	
38	2	1822068	ARMOR GUIDE PLATE 350	
38	2	1821918	ARMOR GUIDE PLATE 400	
39	2	1822786	ARMREST KIT 250	
40	2	314375	ARMREST BODY 250	
41	2	314374	PAD 250	
42	6	601165-99-0	BOLT MC6S 5x16 fzb *	
43	6	600226-99-0	LOCK NUT M5 FZB *	
44	1	302719-99-0	PANEL HOLDER BRACKET	
45	1	600238-99-0	WASH BRB ISO 7089 6.4x12x1.6 fzb STD	
46	1	600194-99-0	BOLT MC6S 6x20 fzb *	
47	1	601296-99-0	WASH BRB 4.3x 9x0.8 fzb STD	
48	1	600183-99-0	BOLT MC6S 4x10 fzb *	
49	1	601860-99-0	BOX WRENCH 13 *	
50	1	309451-28-0	TIEBAR ARMOR.FRAME VIII JUN.	
50	1	302872-28-0	TIEBAR ARMOR.FRAME VS STD	
51	2	601340-99-0	BOLT K6S 8x20 fzb *	
52	2	600239-99-0	WASH ISO 7089 8.4x16x1.6 Fe/Zn	
53	1		SCREW KIT	



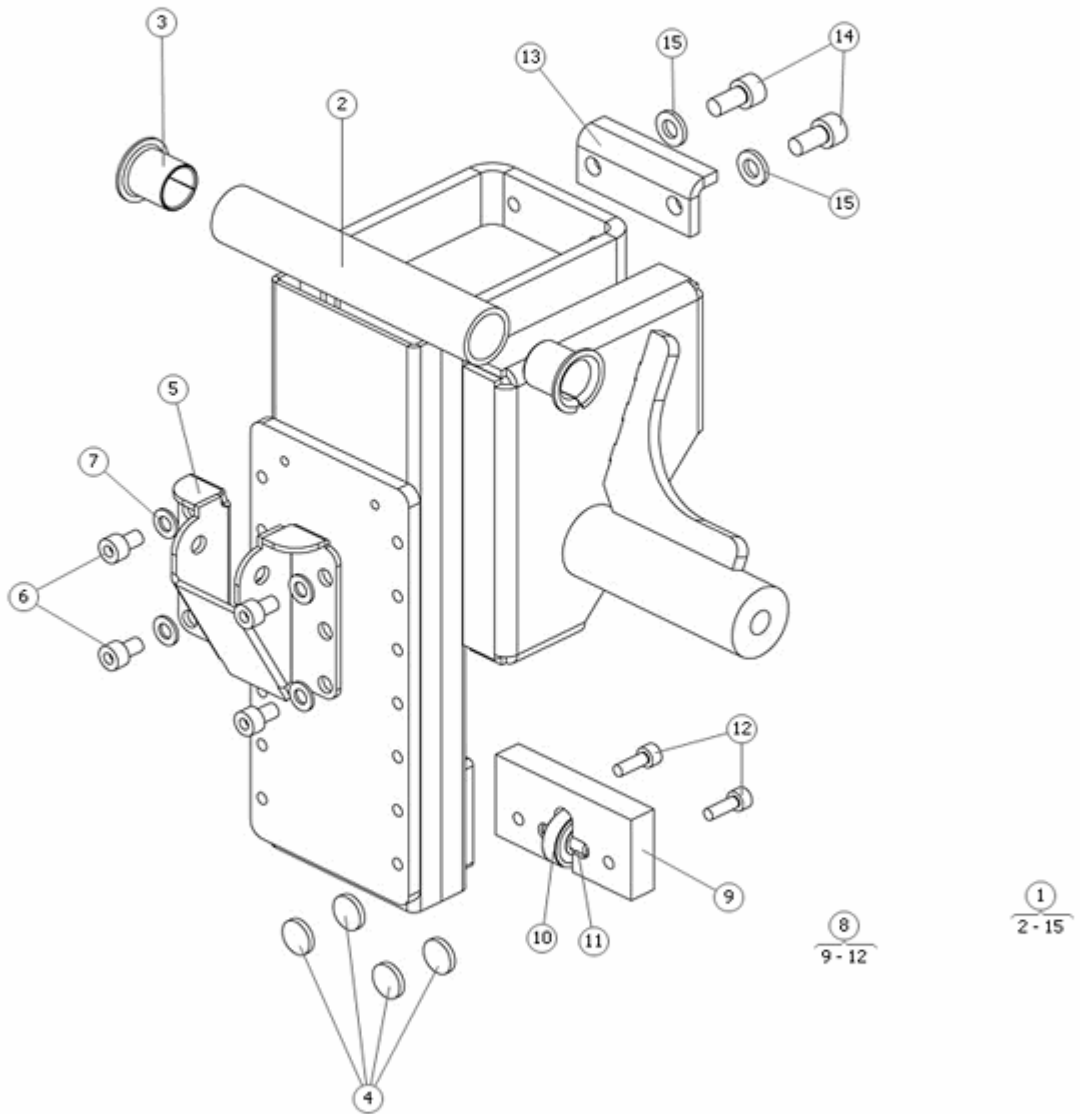
Pos	Qty	Stock Code	Description	Remark
1	1	303724-00-0	BACKR HVII VII VIII	
1	1	306111-00-0	BACKR HI +100 HVII VII VIII	
1	1	306509-00-0	BACKR WIDE +50 HVII VII VIII	
1	1	306512-00-0	BACKR NARROW -50 HVII VII VIII	
1	1	310254-00-0	BACKREST LOW VIII HVII VII VIII	
1	1	310256-00-0	BACKREST LOW WIDE+50 VIII HVII VII	
1	1	310291-00-0	BACKR SHORT NARROW-50 VII *	
2	2	602168	SCREW MF6S 4x16 fzb *	
3	2	602180-99-0	BRACK SNAP FASTENER *	
4	2	601296-99-0	WASH BRB 4.3x 9x0.8 fzb STD	
5	2	600225-99-0	LOCK NUT M4 FZB *	
6	2	601370-99-0	BOLT K6S 6x20 fzb *	
7	4	601371-99-0	WASH NB 6x19 fzb *	
8	2	302901-99-0	QUICK LOCK PIN BACKR HV VIII	
9	2	601177-99-0	BOLT MF6S 6x45 fzb *	
10	4	601371-99-0	WASH NB 6x19 fzb *	
11	2	602179-99-0	MUTTER DISTANS 15*10 SEXKANT DHS M6 fzb	
12	2	602183-99-0	ADJ HANDLE VTR P M5x10	
13	1	306425-99-0	LUMBAR SUPP NARROW CII VIII	
13	1	306396-99-0	LUMBAR SUPP CII VS	STD
14	1	306400-00-0	TRUNK SUPPORT	PAIR
14	1	306424-00-0	TRUNK SUPPORT WIDE	PAIR
14	1	307570-00-0	TRUNK SUPPORT NARROW	PAIR
15	2	306390-99-0	TRUNK SUPPORT BRACKET	
16	2	306395	TRUNK SUPPORT BODY	
17	4	601187-99-0	SCREW ISO 7380 M4x10 10.9 Fe/Zn 5 C1	
18	4	601974-99-0	WASHER 4 Fe/Zn 5 C1 (SRB 4,3x16x1)	
19	4	600225-99-0	NUT DIN 985 M4 6 Fe/Zn 5 C1	
20	2	601882-99-0	SCREW DIN 603 M6x20 Fe/Zn 5 C1	
21	2	601386-99-0	PUSH ON FASTENER 6x15,3x1,3 Fe/Zn 5 C1 STARLOCK	
22	2	306391	WASHER TRUNK SUPPORT	
23	2	601943-99-0	LOCK HANDLE M6	
24	1	302956-99-9	CHEST ROLL HV VIII	
24	1	306108-99-9	CHEST ROLL HV +50 HVII VII VIII	
24	1	306110-99-9	CHEST ROLL HV -50 HV V	
24	1	307649-99-9	CHEST ROLL ADJ NARROW	
24	1	306688-99-9	CHEST ROLL ADJ STD	
24	1	307650-99-9	CHEST ROLL ADJ WIDE	
24	1	307650-99-6	CHEST ROLL ADJ WIDE	
24	1	307649-99-6	CHEST ROLL ADJ NARROW	
24	1	306688-99-6	CHRST ROLL ADJ STD, FABRIC	
25	1	302957-99-0	BAR CHEST ROLL STD HVII VII VIII	
25	1	306112-99-0	BAR CHEST ROLL WIDE HVII VII VIII	
25	1	306113-99-0	BAR CHEST ROLL NARR HVII VII VIII	
26	2	602182-00-0	PLAST PLUG GL 14 *	
27	2	306435-99-0	STOP COLLAR Y 14.1 CHEST ROLL HV	
28	2	600214	SET SCREW SK6SS 6x6 SKRUV SK6SS 6x6	
29	1	302959-99-0	CHEST ROLL POLYSTRING STD HVII VII VIII	
29	1	306115-99-0	CHEST ROLL POLYSTRING +50 HVII VII	
29	1	306116-99-0	CHEST ROLL POLYSTRING -50 HVII VII VIII	
30	1	305645-60-0	UPHOLST CHEST ROLL HVII VII	
30	1	305645-90-0	UPHOLST CHEST ROLL HV *	
30	1	306488-60-0	UPHOLST CHEST ROLL +50 HVII VII	
30	1	306488-90-0	UPHOLST CHEST ROLL +50 HV V	
30	1	306513-60-0	UPHOLST CHEST ROLL -50 HVII VII	
30	1	306513-90-0	UPHOLST CHEST ROLL -50 HV V	
31	1	304767-40-0	BACKR REINFORCEMENT HVII VII VIII	
32	2	602183-99-0	ADJ HANDLE VTR.P M5X10 *	
33	1	306473-99-6	BACKR CUSH ERGO 470x600 CII HVII VII ER	
33	1	306473-99-9	BACKR CUSH ERGO 470x600 CII ER	
33	1	306475-99-6	BACKR CUSH ERGO 370x600 CII HVII VII	
33	1	306475-99-9	BACKR CUSH ERGO 370x600 CII	
33	1	306430-99-6	BACKR CUSH ERGO 420x600 CII HV V HVII VII ER	
33	1	306430-99-9	BACKR CUSH ERGO 420x600 CII HV V ER	
33	1	307506-99-6	BACKR CUSH ERGO 370x530 VIII	Junior
33	1	307506-99-9	BACKR CUSH ERGO 370x530 VIII	Junior
33	1	307507-99-6	BACKR CUSH ERGO 420x530 VIII	Junior
33	1	307507-99-9	BACKR CUSH ERGO 420x530 VIII	Junior
33	1	307508-99-6	BACKR CUSH ERGO 470x530 VIII	Junior
33	1	307508-99-9	BACKR CUSH ERGO 470x530 VIII	Junior



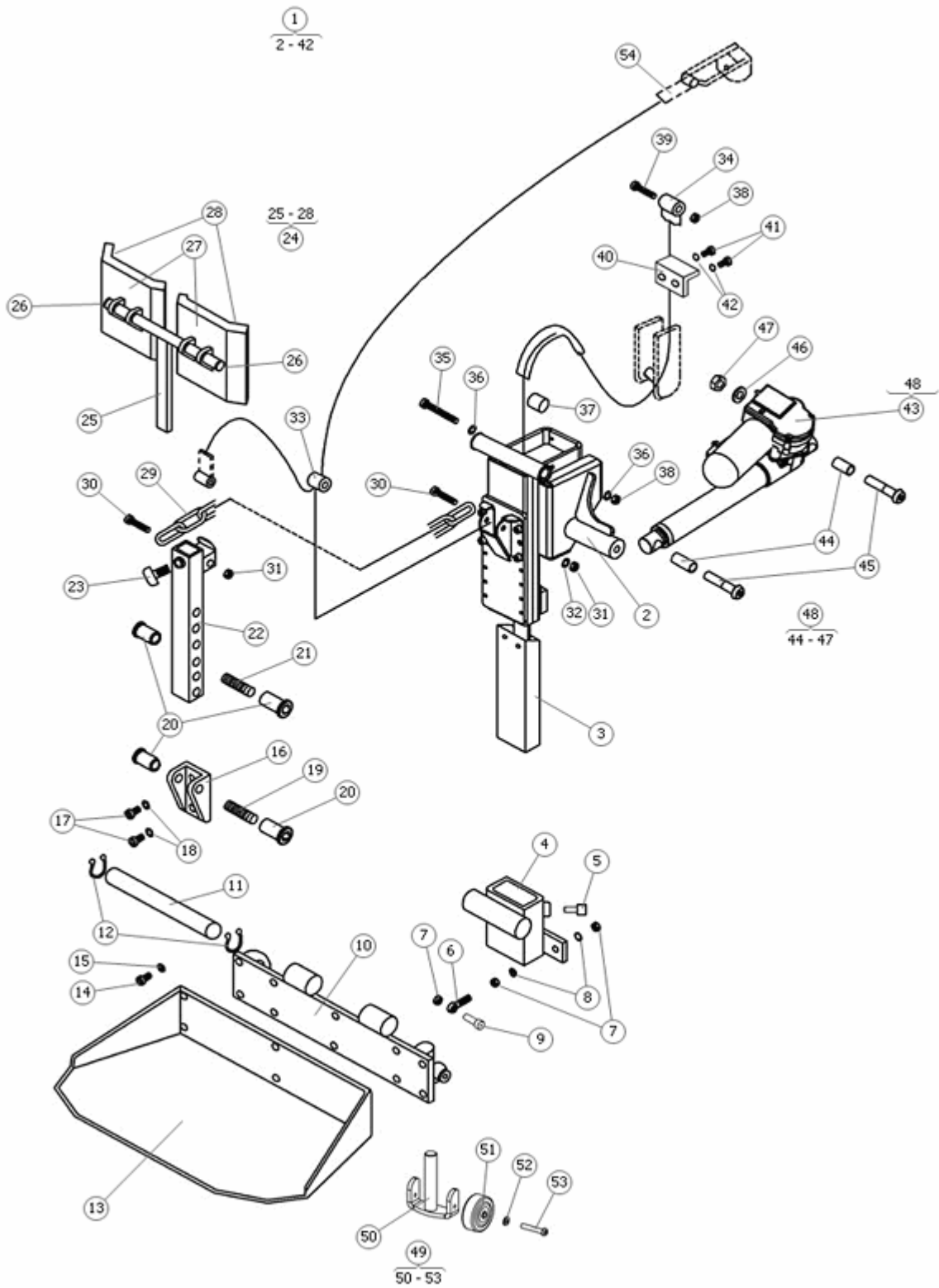
Pos	Qty	Stock Code	Description	Remark
1	1	1825428	BACKREST	
2	1	310029	BACKREST, LOW, -50 WIDE	
3	1	1825429	BACKREST, +50 WIDE	
4	1	305190	BACKREST COVER	
4	1	305388	BACKREST COVER +50	
4	1	310028	BACKREST COVER, LOW, -50	
5	2	317789	VELCRO TAPE	L = 300
6	2	317784	VELCRO TAPE	L = 125
7	2	613311	PLASTIC PLUG	
8	1	317662	BACKREST SLIDE KIT	
9	1	317633	BACKREST	
10	5	601675-99-0	BOLT K6S 6x16 fzb *	
11	3	612675-99-0	WASHER, ISO 7093-1 6,4x18x1,6 fzb	
12	4	601788-99-0	BOLT MF6S 6x12 fzb *	
13	4	600541-99-0	BOLT MF6S 6x16 fzb *	
14	2	600189-99-0	BOLT MC6S 5x10 fzb *	
15	2	601246-99-0	WASH TBRSUB 6.4x12x3 fzb	
16	1	1824187	WEB BELT SLIDING BACKR VS INCL BUSH	
17	1	1824188	SLIDE BARS VS	
18	2	317592	SLIDE BAR	
19	4	613482	SLEEVE NUT, M6 FZB	
20	1	317585	BRACKET	
21	1	317615	BRACKET	
22	2	602367	SCREW, ISO 7380 M6x25 FZB	
23	2	612675-99-0	WASHER, ISO 7093-1 6.4x18x1.6 fzb	
24	2	601943-99-0	STAR HANDLE VTR.40 B-M6 *	
25	2	317700	SPACER	
26	8	612934	SCREW, ISO 10642 M5x8 FZB	
27	2	1824189	GAS SPRING	
28	4	600238-99-0	WASH BRB ISO 7089 6.4x12x1.6 fzb STD	
29	4	600227-99-0	LOCK NUT M6 FZB *	
30	1	317689	WEB.BELT	
31	1	317665	BUSH	
32	1	317636	PLATE	
33	2	317684	SLIDE BAR	
34	1	317596	BRACKET	
35	11	600237-99-0	WASH BRB 5.3x10x 1 fzb *	
36	7	600614-99-0	NUT M6M 5 fzb *	
37	3	600169-99-0	BOLT MC6S 5x12 fzb *	
38	1	317594	PLATE	
39	1	600226-99-0	LOCK NUT M5 FZB *	
40	1	317602	BEARING	
41	1	317597	BRACKET	
42	2	601996	CIRCLIP EXTERNAL, DIN 471 Ø6	
43	1	317588	SHAFT	
44	1	315074	STICKER	
45	1	600189-99-0	BOLT MC6S 5x10 fzb *	
46	7	601388-99-0	BOLT MF6S 5x12 fzb	



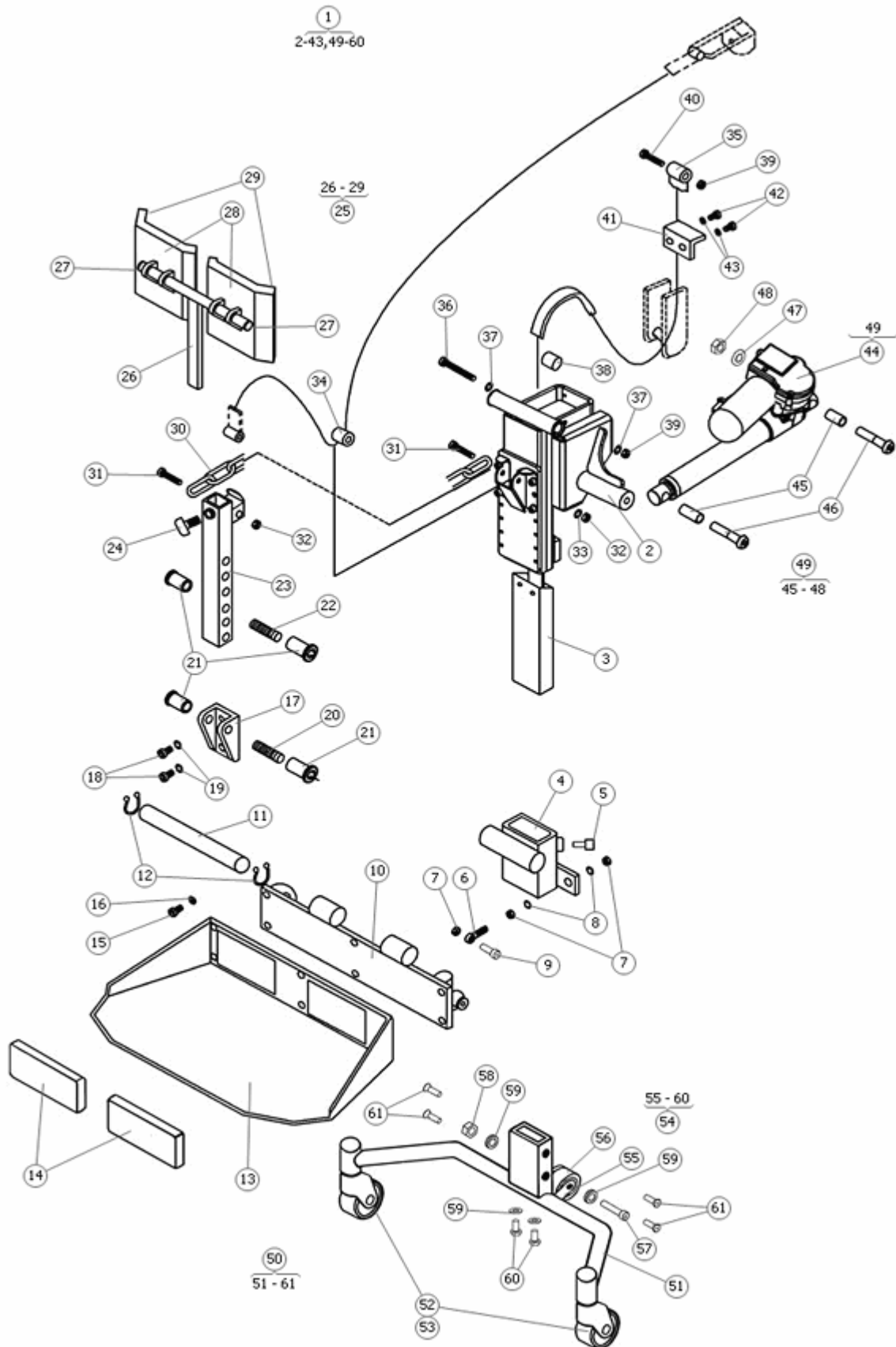
Pos	Qty	Stock Code	Description	Remark
1	1	1825103	LEGREST BODY VS	
1	1	1825104	LEGREST BODY VS STAND	
2	1	1822090	INSTALL ASSEMBLY	
3	1	315830	PROFILE	
4	2	601329-99-0	SLIDE BEAR 141617 FLANGE *	
5	1	1825113	BEARING RACE COMPLETE	
6	1	318628	HOLDER	
7	1	318625	SHAFT	
8	2	318626	ROLLER	
9	2	600183-99-0	BOLT MC6S 4x10 fzb *	
10	2	600556-99-0	SET SCREW SK6SS 4x5 *	
11	2	307694	BEARING	
12	1	302947-28-0	SECURING PLATE VIII	
12	1	302947-38-0	SECURING PLATE HV VIII	
13	2	600238-99-0	WASH BRB ISO 7089 6.4x12x1.6 fzb STD	
14	2	600192-99-0	BOLT MC6S 6x12 fzb *	
15	1	308751	BRACKET	
16	4	600237-99-0	WASH BRB 5.3x10x 1 fzb *	
17	4	600188-99-0	BOLT MC6S 5x 8 fzb	
18	1	318741	INNER PROFIL	
18	1	318740	INNER PROFIL STAND	
19	1	318633	INNER PROFIL	
19	1	318739	INNER PROFIL	
20	1	318712	SLIDE BAR	
21	1	318637	SLIDE BAR	
22	6	601972-99-0	DUMMY RIVET TAP/K 44 BS *	
23	1	1825114	BEARING RACE COMPLETE	
24	1	318692	SPACER L=14,5	
25	2	600556-99-0	SET SCREW SK6SS 4x5 *	
26	1	318646	SPACER L=34,5	
27	4	318626	ROLLER	
28	2	318625	SHAFT	
29	1	302942-00-0	WEB BELT LEGREST	



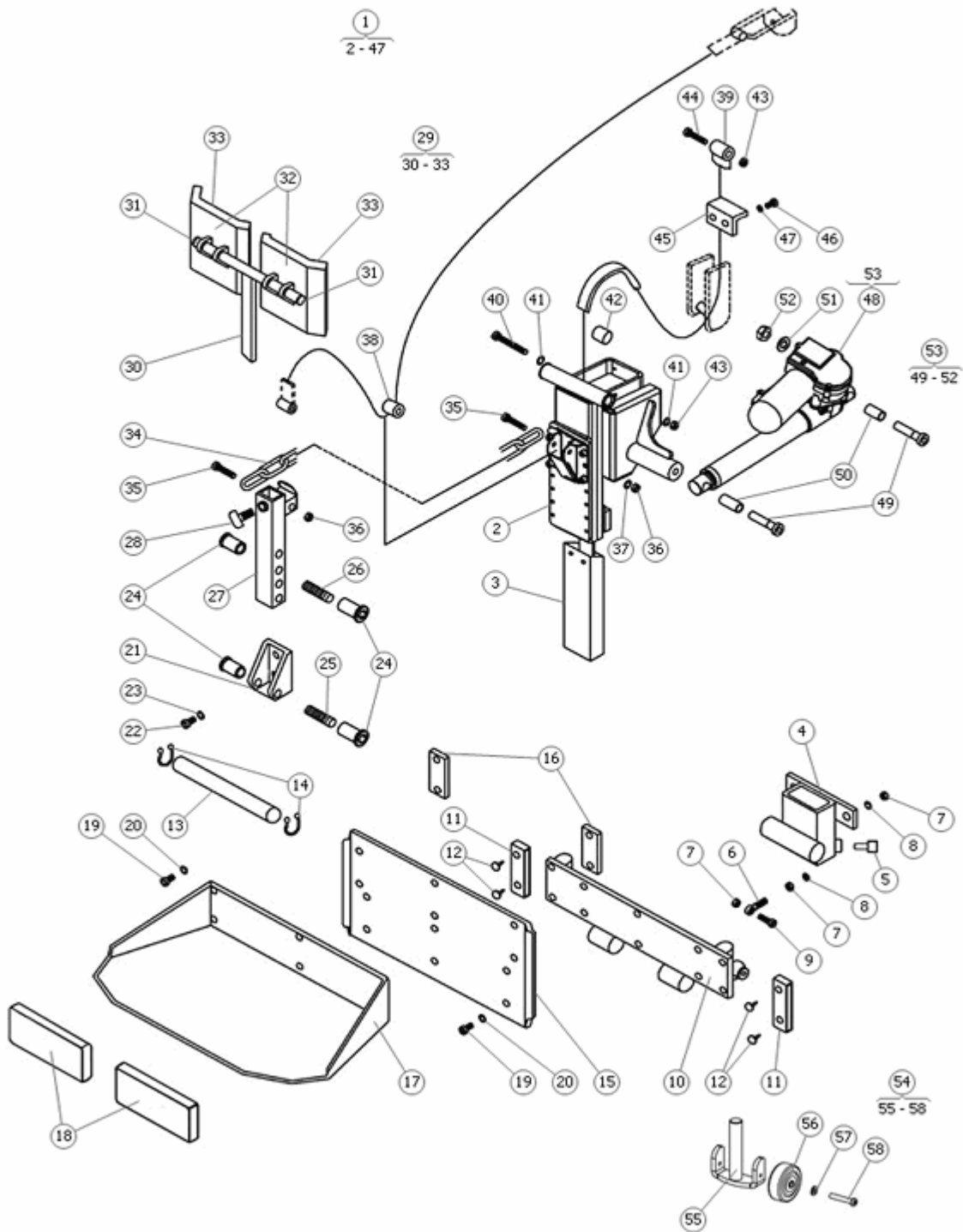
Pos	Qty	Stock Code	Description	Remark
1	1	1825103	INSTALL ASSEMBLY	entire easy glide legrest
2	1	1825103	PROFILE	entire easy glide legrest
3	2	601329-99-0	SLIDE BEAR 141617 FLANGE *	
4	4	307694-99-0	BEARING	
5	1	308751	BRACKET	
6	4	600188-99-0	BOLT MC6S 5x 8 fzb *	
7	4	600237-99-0	WASH BRB 5,3x10x 1 fzb *	
8	1	1824842	BEARING RACE COMPLETE	
9	1	316395	BEARING RACE	
10	1	308896-99-0	BALL BEARING WITH PIN	POS. 10 + 11
11	1	308896-99-0	PARALLEL PIN WITH BALL BEARING	POS. 10 + 11
12	2	600184-99-0	BOLT MC6S 4x12 fzb *	
13	1	302947-28-0	SECURING PLATE HV VIII	
14	2	600192-99-0	BOLT MC6S 6x12 fzb *	
15	2	600238-99-0	WASH BRB ISO 7089 6,4x12x1,6 fzb STD	



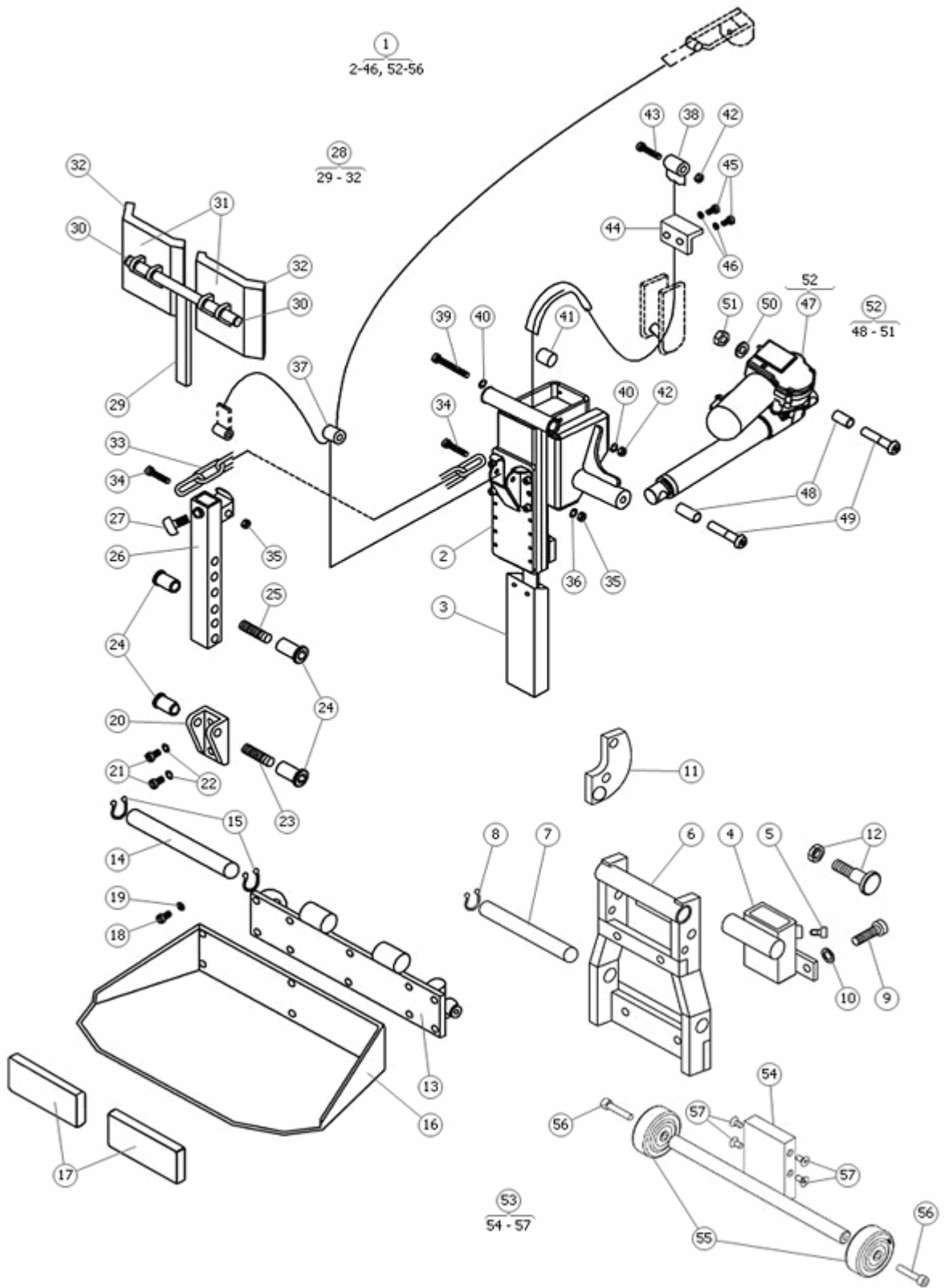
Pos	Qty	Stock Code	Description	Remark
1	1	1822167	LEGREST Std.	
1	1	1825446	LEGREST STD VS-SEAT.	
2	1	1822090	PROFIL	Two versions see date
3	1	306558-99-0	INNER SECT BELT LEG HVII VII VIII TILT TABLE	
3	1	318741	INNER SECT BELT LEG	
4	1	306873-28-0	OUT SECT FOOTPL HINGE HVII VII VIII	
5	2	600737-99-0	BOLT SK6SS 8x10 fzb *	
6	2	601337-99-0	LINK BOLT M6x50 DIN444 FOOTPL HV	
7	6	600232-99-0	NUT M6M 6 fzb *	
8	4	600238-99-0	WASH BRB ISO 7089 6.4x12x1.6 fzb STD	
9	2	600195-99-0	BOLT MC6S 6x25 fzb *	
10	1	306933-99-0	FOOTPL HINGE HVII/VII VIII MS90 CHCS CHCS8	
11	1	306586-99-0	SHAFT FOOTPL HINGE HVII VII VIII	
12	2	600504-99-0	CIRCLIP SGA 14 *	
13	1	301302-28-0	FOOTPL HV GN MA,II SU,II MS90 CH VIII	
13	1	301302-40-0	FOOTPL HV GN MA MAII SU SUII MS90 CH	
14	4	600736-99-0	BOLT K6S 6x10 fzb *	
15	4	600238-99-0	WASH BRB ISO 7089 6.4x12x1.6 fzb STD	
16	1	306561-28-0	BRACK KNEE STOP HOLD VIII	
17	2	601422-99-0	BOLT K6S 6x12 fzb *	
18	2	600238-99-0	WASH BRB ISO 7089 6.4x12x1.6 fzb STD	
19	1	602134-99-0	BOLT SK6SS 6x30 fzb *	
20	4	601557-99-0	NUT CYL 15/ 9x12-M6 MPS fzb	
21	1	602135-99-0	BOLT SK6SS 6x25 fzb *	
22	1	306572-28-0	KNEE STOP HOLD VIII VS STD	
23	1	303207-99-0	STAR HANDLE KNEESTOP HV VIII	
24	1	302929-99-9	KNEE STOP VS STD	
25	1	302853-99-0	FRAME KNEE STOP	
26	2	601339-00-0	PLAST PLUG GL 16 KNEE STOP HV	
27	2	302930-99-0	KNEE STOP BODY HV VIII	
28	2	307499-90-0	UPHOLST KNEE STOP HVII VII	
28	2	307499-60-0	UPHOLST KNEE STOP	
29	1	302946-99-0	CHAIN KNEE STOP STD	
30	2	601756-99-0	BOLT MC6S 6x40 fzb *	
31	2	600227-99-0	LOCK NUT M6 FZB *	
32	1	600238-99-0	WASH BRB ISO 7089 6.4x12x1.6 fzb STD	
33	1	305734-99-0	ROLL 25MM HV VIII *	
34	1	302942-00-0	WEB BELT LEGREST	
35	1	601397-99-0	BOLT MC6S 6x75 fzb *	
36	2	600238-99-0	WASH BRB ISO 7089 6.4x12x1.6 fzb STD	
37	1	302945-99-0	ROLL 48MM HV VIII	
38	2	600227-99-0	LOCK NUT M6 FZB *	
39	1	600197-99-0	BOLT MC6S 6x45 fzb *	
40	1	302947-28-0	SECURING PLATE HV VIII	
41	2	600192-99-0	BOLT MC6S 6x12 fzb *	
42	2	600238-99-0	WASH BRB ISO 7089 6.4x12x1.6 fzb STD	
43	1	1822061	ACTU LEGREST	
44	2	1825219	SPACER L=24	
45	2	613293	SCREW DIN 7984 M10x40	
46	1	600241-99-0	WASH BRB 10.5x20x2 fzb *	
47	1	600229-99-0	LOCK NUT M10 FZB *	
48	1	1822087	SCREW KIT ACTU	
49	1	1821822	SUPPORT WHEEL KIT	
50	2	315757	BRACKET SUPPORT WHEEL	
51	2	602198-99-0	WHEEL	
52	2	612355-99-0	WASHER ISO 7089 PA M6 6,4x12x1,6	
53	2	612389-99-0	SCREW ISO 7380 M6x35 10.9 Fe/Zn	
54	1	1822212	WEB BELT KNEE STOP VS	



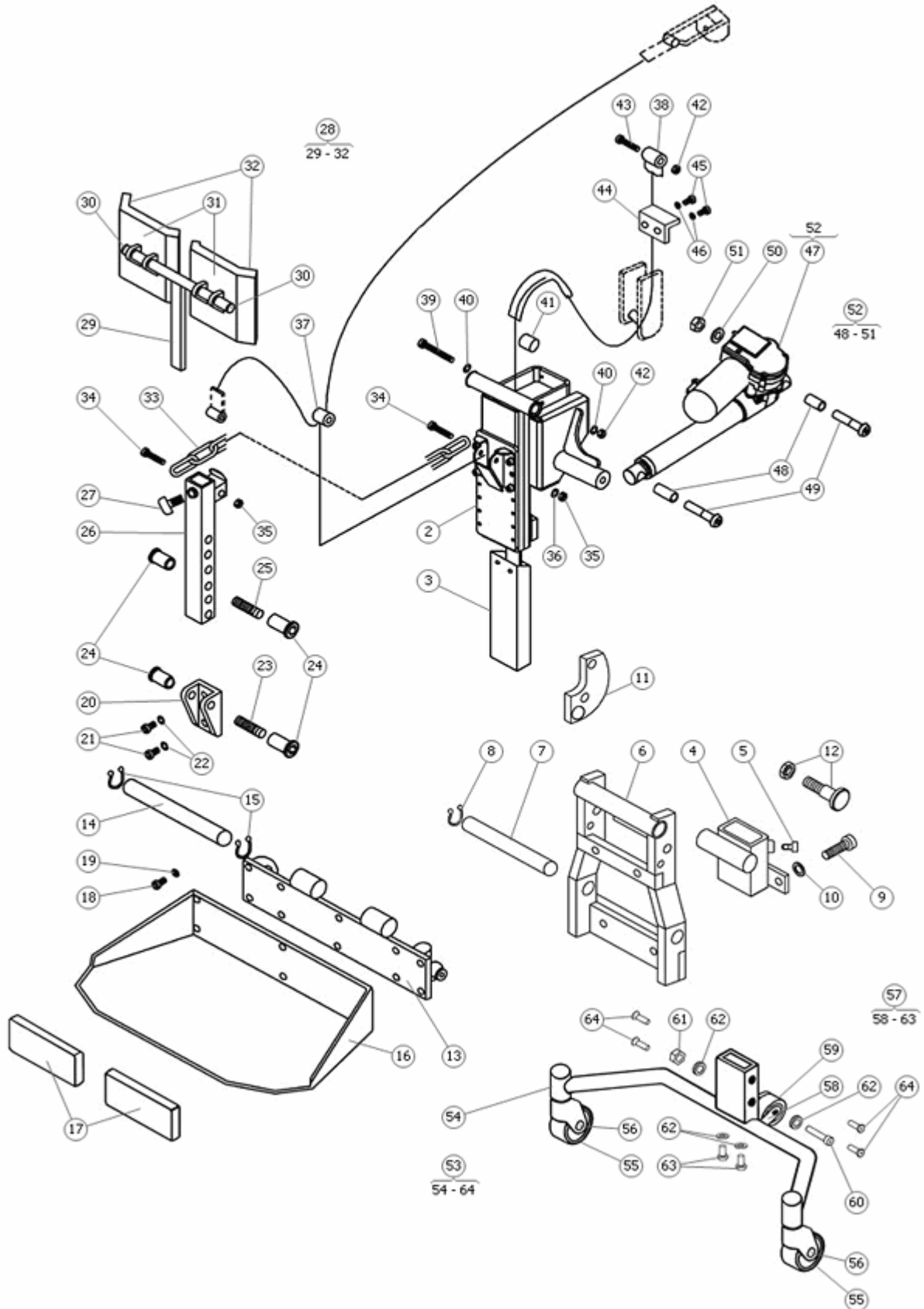
Pos	Qty	Stock Code	Description	Remark
1	1	1822168	LEGREST STAND AND DRIVE	
1	1	1825447	LEGREST DRIVE SENIOR VS- SEAT	
2	1	1822090	PROFIL	Two versions see date
3	1	306558-99-0	INNER SECT BELT LEG HVII VII VIII TILT TABLE	
3	1	318740	INNER SECT BELT LEG STAND and DRIVE	
4	1	306873-28-0	OUT SECT FOOTPL HINGE HVII VII VIII	
5	2	600737-99-0	BOLT SK6SS 8x10 fzb *	
6	2	601337-99-0	LINK BOLT M6x50 DIN444 FOOTPL HV	
7	6	600232-99-0	NUT M6M 6 fzb *	
8	4	600238-99-0	WASH BRB ISO 7089 6.4x12x1.6 fzb STD	
9	2	600195-99-0	BOLT MC6S 6x25 fzb *	
10	1	306636-99-0	FOOTPL HINGE HVII/VII STA MS90 CHCS CHCS8 VIII	
11	1	306586-99-0	SHAFT FOOTPL.HINGE HVII VII VIII	
12	2	600504-99-0	CIRCLIP SGA 14 *	
13	1	306648-28-0	FOOTPL 1P VIII *	
14	1	310076-90-0	HEELCUSH KIT HVII VIII VII DRIVE	
15	4	600736-99-0	BOLT K6S 6x10 fzb *	
16	4	600238-99-0	WASH BRB ISO 7089 6.4x12x1.6 fzb STD	
17	1	306561-28-0	BRACK KNEE STOP HOLD VIII	
18	2	601422-99-0	BOLT K6S 6x12 fzb *	
19	2	600238-99-0	WASH BRB ISO 7089 6.4x12x1.6 fzb STD	
20	1	602134-99-0	BOLT SK6SS 6x30 fzb *	
21	4	601557-99-0	NUT CYL 15/ 9x12-M6 MPS fzb	
22	1	602135-99-0	BOLT SK6SS 6x25 fzb *	
23	1	306572-28-0	KNEE STOP HOLD VIII *	
24	1	303207-99-0	STAR HANDLE KNEESTOP HV VIII	
25	1	302929-99-9	KNEE STOP HV VIII	
26	1	302853	FRAME KNEE STOP	
27	2	601339-00-0	PLAST PLUG GL 16 KNEE STOP HV	
28	2	302930-99-0	KNEE STOP BODY HV VIII	
29	2	307499-90-0	UPHOLST KNEE STOP HVII VII	
29	1	307499-60-0	UPHOLST KNEE STOP	
30	1	302946-99-0	CHAIN KNEE STOP HV VIII	
31	2	601756-99-0	BOLT MC6S 6x40 fzb *	
32	2	600227-99-0	LOCK NUT M6 FZB *	
33	1	600238-99-0	WASH BRB ISO 7089 6.4x12x1.6 fzb STD	
34	1	305734-99-0	ROLL 25MM HV VIII *	
35	1	302942-00-0	WEB BELT LEGREST	
36	1	601397-99-0	BOLT MC6S 6x75 fzb *	
37	2	600238-99-0	WASH BRB ISO 7089 6.4x12x1.6 fzb STD	
38	1	302945-99-0	ROLL 48MM HV VIII	
39	2	600227-99-0	LOCK NUT M6 FZB *	
40	1	600197-99-0	BOLT MC6S 6x45 fzb *	
41	1	302947-28-0	SECURING PLATE HV VIII	
42	2	600192-99-0	BOLT MC6S 6x12 fzb *	
43	2	600238-99-0	WASH BRB ISO 7089 6.4x12x1.6 fzb STD	
44	1	1822061	ACTU LEGREST	
45	2	1825219	SPACER L=24	
46	2	613293	SCREW DIN 7984 M10x40	
47	1	600241-99-0	WASH BRB 10.5x20x2 fzb *	
48	1	600229-99-0	LOCK NUT M10 FZB *	
49	0	1822087	SCREW KIT ACTU	
50	1	306656-28-0	SUPP WHEEL DRIVE VIII *	
51	1	306655	FRAME SUPPORTWHEEL	
52	2	602185	PIVOTWHEEL	
53	2	602238-99-0	BOLT MF6S 10x25 fzb *	
54	1	309455	WHEELHOLDER KIT	
55	1	309454	WHEELHOLDER	
56	2	602198	WHEEL	
57	1	602039	SCREW ISO 4762 6x65	
58	1	600227-99-0	LOCK NUT M6 FZB *	
59	4	600238-99-0	WASH BRB ISO 7089 6.4x12x1.6 fzb STD	
60	2	600736-99-0	BOLT K6S 6x10 fzb *	
61	4	601708	SCREW ISO 10642 M5x10	



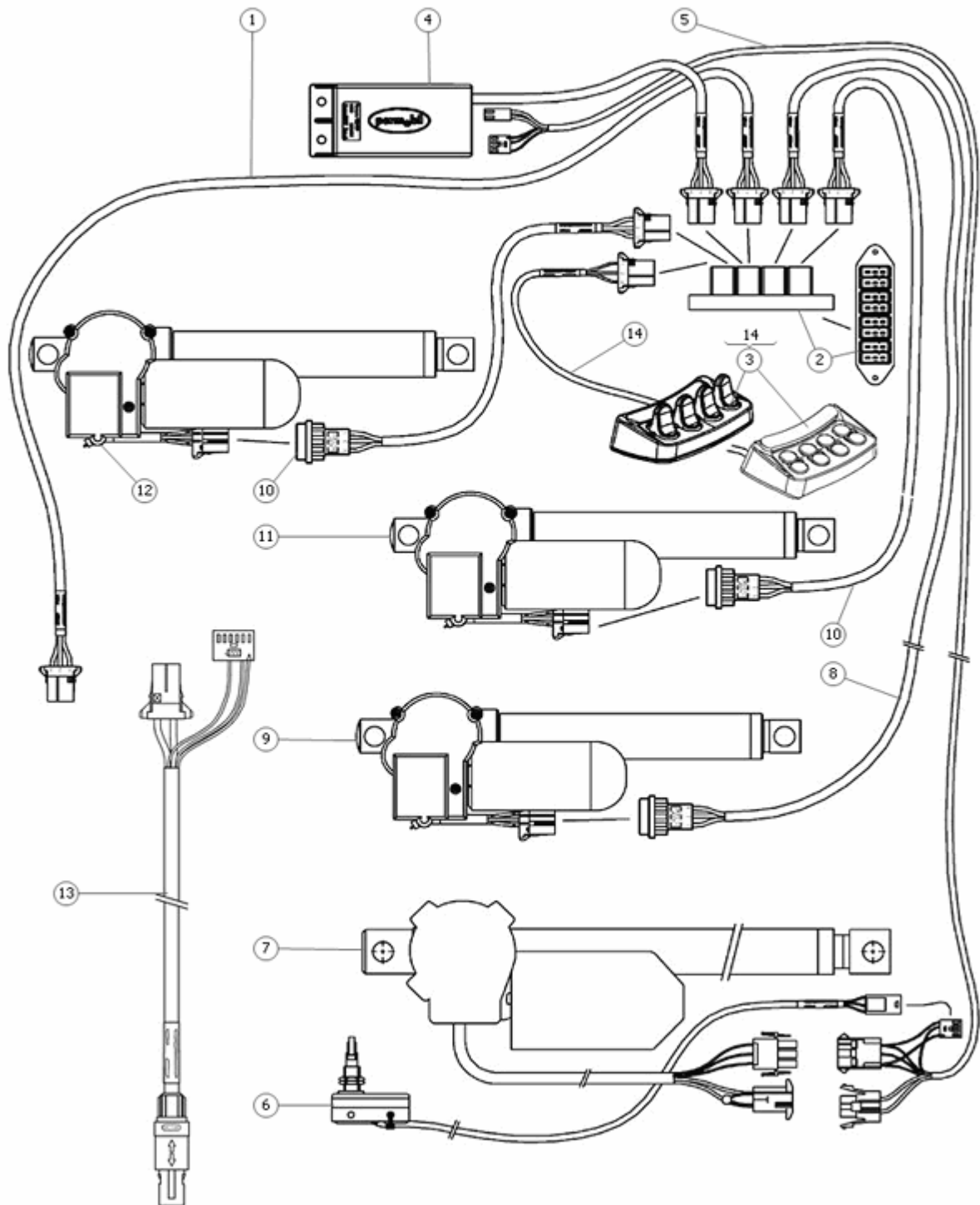
Pos	Qty	Stock Code	Description	Remark
1	1	1822182	LEGREST JUNIOR	
1	1	1825449	LEGREST JUNIOR VS-SEAT	
2	1	1822090	PROFIL	Two versions see date
3	1	306558-99-0	INNER SECT BELT LEG HVII VII VIII TILT TABLE	
3	1	318740	INNER SECT BELT LEG STAND and DRIVE	
3	1	318741	INNER SECT BELT LEG	
4	1	306873-28-0	OUT SECT FOOTPL HINGE HVII VII VIII	
5	2	600737-99-0	BOLT SK6SS 8x10 fzb *	
6	2	601337-99-0	LINK BOLT M6x50 DIN444 FOOTPL HV	
7	6	600232-99-0	NUT M6M 6 fzb *	
8	4	600238-99-0	WASH BRB ISO 7089 6.4x12x1.6 fzb STD	
9	2	600195-99-0	BOLT MC6S 6x25 fzb *	
10	1	306933-99-0	FOOTPL HINGE HVII/VII VIII MS90 CHCS CHCS8	
11	2	309425-00-0	SIDE GUARD LEGREST JUNIOR VIII	
12	4	601158-99-0	QUICK MOUNT CLAMP ARMR/PROT.COVER SEAT ELEV	
13	1	306586-99-0	SHAFT FOOTPL HINGE HVII VII VIII	
14	2	600504-99-0	CIRCLIP SGA 14 *	
15	1	309431-28-0	ENHANCEMENT FOOTPL. 1P VIII	
16	2	309405	THREADEDPLATE	
17	1	306648-28-0	FOOTPL 1P VIII *	
18	1	310076-90-0	HEELCUSH KIT HVII VIII VII DRIVE	
19	4	600736-99-0	BOLT K6S 6x10 fzb *	
20	4	600238-99-0	WASH BRB ISO 7089 6.4x12x1.6 fzb STD	
21	1	306561-28-0	BRACK KNEE STOP HOLD VIII	
22	2	601422-99-0	BOLT K6S 6x12 fzb *	
23	2	600238-99-0	WASH BRB ISO 7089 6.4x12x1.6 fzb STD	
24	4	601557-99-0	NUT CYL 15/ 9x12-M6 MPS fzb	
25	1	602134-99-0	BOLT SK6SS 6x30 fzb *	
26	1	602135-99-0	BOLT SK6SS 6x25 fzb *	
27	1	309426-28-0	KNEE STOP HOLD VIII JUNIOR	
28	1	303207-99-0	STAR HANDLE KNEESTOP HV VIII	
29	1	309476-99-9	KNEE STOP HVII VII VIII JUNIOR	
29	1	309476-99-8	KNEE STOP HVII VII VIII JUNIOR	
29	1	309476-99-6	KNEE STOP HVII VII VIII JUNIOR	
30	1	309429	FRAME KNEE STOP	
31	2	601339-00-0	PLAST PLUG GL 16 KNEE STOP HV	
32	2	309428	KNEE STOP BODY HV VIII	JR.
33	2	307499-90-0	UPHOLST KNEE STOP HVII VII	
33	1	307499-60-0	UPHOLST KNEE STOP	
34	1	1822092	CHAIN KNEE STOP	JR.
35	2	601756-99-0	BOLT MC6S 6x40 fzb *	
36	2	600227-99-0	LOCK NUT M6 FZB *	
37	1	600238-99-0	WASH BRB ISO 7089 6.4x12x1.6 fzb STD	
38	1	305734-99-0	ROLL 25MM HV VIII *	
39	1	302942-00-0	WEB BELT LEGREST	
40	1	601397-99-0	BOLT MC6S 6x75 fzb *	
41	2	600238-99-0	WASH BRB ISO 7089 6.4x12x1.6 fzb STD	
42	1	302945-99-0	ROLL 48MM HV VIII	
43	2	600227-99-0	LOCK NUT M6 FZB *	
44	1	600197-99-0	BOLT MC6S 6x45 fzb *	
45	1	302947-28-0	SECURING PLATE HV VIII	
46	2	600192-99-0	BOLT MC6S 6x12 fzb *	
47	2	600238-99-0	WASH BRB ISO 7089 6.4x12x1.6 fzb STD	
48	1	1822061	ACTU LEGREST	
49	2	613293	SCREW DIN 7984 M10x40	
50	2	1825219	SPACER L=24	
51	1	600241-99-0	WASH BRB 10.5x20x2 fzb *	
52	1	600229-99-0	LOCK NUT M10 FZB *	
53	1	1822087	BOLT KIT ACTUATOR	
54	1	1821822	SUPPORT WHEEL KIT	
55	2	315757	BRACKET SUPPORT WHEEL	
56	2	602198-99-0	WHEEL	
57	2	612355-99-0	WASHER ISO 7089 PA M6 6,4x12x1,6	
58	1	612389-99-0	SCREW ISO 7380 M6x35 10.9 Fe/Zn	



Pos	Qty	Stock Code	Description	Remark
1	1	1822181	LEGREST JUNIOR NL	
1	1	1825448	LEGREST JUNIOR VS-SEAT NL	
2	1	1822090	PROFIL	Two versions see date
3	1	306558-99-0	INNER SECT BELT LEG HVII VII VIII TILT TABLE	
3	1	318740	INNER SECT BELT LEG STAND and DRIVE	
3	1	318741	INNER SECT BELT LEG	
4	1	306873-28-0	OUT SECT FOOTPL HINGE HVII VII VIII	
5	2	602134-99-0	BOLT SK6SS 6x30 fzb *	
6	1	1824353	FOOTPLATE ELEVATION	
7	1	309412	SHAFT	
8	2	600504-99-0	CIRCLIP SGA 14 *	
9	2	601756-99-0	BOLT MC6S 6x40 fzb *	
10	2	600238-99-0	WASH BRB ISO 7089 6.4x12x1.6 fzb STD	
11	1	309413	RATCHET DISC	
12	1	603096-99-0	ADJ.BOLT GN613AK5 LEGREST VIII NL	
13	1	306636-99-0	FOOTPL HINGE HVII/VII STA MS90 CHCS CHCS VIII	
14	1	306586-99-0	SHAFT FOOTPL HINGE HVII VII VIII	
15	2	600504-99-0	CIRCLIP SGA 14 *	
16	1	306648-28-0	FOOTPL 1P VIII *	
17	1	310076-90-0	HEELCUSH KIT HVII VIII VII DRIVE	
18	4	600736-99-0	BOLT K6S 6x10 fzb *	
19	4	600238-99-0	WASH BRB ISO 7089 6.4x12x1.6 fzb STD	
20	1	306561-28-0	BRACK KNEE STOP HOLD VIII	
21	2	601422-99-0	BOLT K6S 6x12 fzb *	
22	2	600238-99-0	WASH BRB ISO 7089 6.4x12x1.6 fzb STD	
23	1	602134-99-0	BOLT SK6SS 6x30 fzb *	
24	4	601557-99-0	NUT CYL 15/ 9x12-M6 MPS fzb	
25	1	602135-99-0	BOLT SK6SS 6x25 fzb *	
26	1	309426-28-0	KNEE STOP HOLD VIII JUNIOR	
27	1	303207-99-0	STAR HANDLE KNEESTOP HV VIII	
28	1	309476-99-8...	KNEE STOP HVII VII VIII JUNIOR	
28	1	309476-99-9...	KNEE STOP HVII VII VIII JUNIOR	
28	1	309476-99-6...	KNEE STOP HVII VII VIII JUNIOR	
29	1	309429	FRAME KNEE STOP	
30	2	601339-00-0	PLAST PLUG GL 16 KNEE STOP HV	
31	2	302930-99-0	KNEE STOP BODY HV VIII	
32	2	307499-90-0	UPHOLST KNEE STOP	
32	2	307499-60-0	UPHOLST KNEE STOP	
33	1	1822092	CHAIN KNEE STOP	
34	2	601756-99-0	BOLT MC6S 6x40 fzb *	
35	2	600227-99-0	LOCK NUT M6 FZB *	
36	1	600238-99-0	WASH BRB ISO 7089 6.4x12x1.6 fzb STD	
37	1	305734-99-0	ROLL 25MM HV VIII *	
38	1	302942-00-0	WEB BELT LEGREST	
39	1	601397-99-0	BOLT MC6S 6x75 fzb *	
40	2	600238-99-0	WASH BRB ISO 7089 6.4x12x1.6 fzb STD	
41	1	302945-99-0	ROLL 48MM HV VIII	
42	2	600227-99-0	LOCK NUT M6 FZB *	
43	1	600197-99-0	BOLT MC6S 6x45 fzb *	
44	1	302947-28-0	SECURING PLATE HV VIII	
45	2	600192-99-0	BOLT MC6S 6x12 fzb *	
46	2	600238-99-0	WASH BRB ISO 7089 6.4x12x1.6 fzb STD	
47	1	1822061	ACTU LEGREST	
48	2	1825219	SPACER L=24	
49	2	613293	SCREW DIN 7984 M10x40 Fe/Zn	
50	1	600241-99-0	WASH BRB 10.5x20x2 fzb *	
51	1	600229-99-0	LOCK NUT M10 FZB *	
52	0	1822087	SCREW KIT ACTU	
53	1	312375-28-0	SUPP.WHEELS KIT LEGREST JUNIOR VIII NETHERLANDS	
54	1	312430	FRAME SUPPORT WHEEL	
55	2	612198	WHEEL	
56	2	600196-99-0	BOLT MC6S 6x30 fzb *	
57	4	601708	SCREW ISO 10642 M5x10 Fe/Zn	



Pos	Qty	Stock Code	Description	Remark
1	1	311562	LEGREST JUNIOR NL	
2	1	1822090	PROFIL	Two versions see date
3	1	306558-99-0	INNER SECT BELT LEG HVII VII VIII TILT TABLE	
3	1	318740	INNER SECT BELT LEG STAND and DRIVE	
4	1	306873-28-0	OUT SECT FOOTPL HINGE HVII VII VIII	
5	2	602134-99-0	BOLT SK6SS 6x30 fzb *	
6	1	1824353	FOOTPLATE ELEVATION	
7	1	309412	SHAFT	
8	2	600504-99-0	CIRCLIP SGA 14 *	
9	2	601756-99-0	BOLT MC6S 6x40 fzb *	
10	2	600238-99-0	WASH BRB ISO 7089 6.4x12x1.6 fzb STD	
11	1	309413	RATCHET DISC	
12	1	603096-99-0	ADJ.BOLT GN613AK5 LEGREST VIII NL	
13	1	306636-99-0	FOOTPL HINGE HVII/VII STA MS90 CHCS CHCS8 VIII	
14	1	306586-99-0	SHAFT FOOTPL.HINGE HVII VII VIII	
15	2	600504-99-0	CIRCLIP SGA 14 *	
16	1	306648-28-0	FOOTPL 1P VIII *	
17	1	310076-90-0	HEELCUSH KIT HVII VIII VII DRIVE	
18	4	600736-99-0	BOLT K6S 6x10 fzb *	
19	4	600238-99-0	WASH BRB ISO 7089 6.4x12x1.6 fzb STD	
20	1	306561-28-0	BRACK KNEE STOP HOLD VIII	
21	2	601422-99-0	BOLT K6S 6x12 fzb *	
22	2	600238-99-0	WASH BRB ISO 7089 6.4x12x1.6 fzb STD	
23	1	602134-99-0	BOLT SK6SS 6x30 fzb *	
24	4	601557-99-0	NUT CYL 15/ 9x12-M6 MPS fzb	
25	1	602135-99-0	BOLT SK6SS 6x25 fzb *	
26	1	309426-28-0	KNEE STOP HOLD VIII JUNIOR	
27	1	303207-99-0	STAR HANDLE KNEESTOP HV VIII	
28	1	309476-99-8...	KNEE STOP HVII VII VIII JUNIOR	
28	1	309476-99-9...	KNEE STOP HVII VII VIII JUNIOR	
28	1	309476-99-6...	KNEE STOP HVII VII VIII JUNIOR	
29	1	309429	FRAME KNEE STOP	
30	2	601339-00-0	PLAST PLUG GL 16 KNEE STOP HV	
31	2	302930-99-0	KNEE STOP BODY HV VIII	
32	2	307499-90-0	UPHOLST KNEE STOP	
32	2	307499-60-0	UPHOLST KNEE STOP	
33	1	1822092	CHAIN KNEE STOP	
34	2	601756-99-0	BOLT MC6S 6x40 fzb *	
35	2	600227-99-0	LOCK NUT M6 FZB *	
36	1	600238-99-0	WASH BRB ISO 7089 6.4x12x1.6 fzb STD	
37	1	305734-99-0	ROLL 25MM HV VIII *	
38	1	302942-00-0	WEB BELT LEGREST	
39	1	601397-99-0	BOLT MC6S 6x75 fzb *	
40	2	600238-99-0	WASH BRB ISO 7089 6.4x12x1.6 fzb STD	
41	1	302945-99-0	ROLL 48MM HV VIII	
42	2	600227-99-0	LOCK NUT M6 FZB *	
43	1	600197-99-0	BOLT MC6S 6x45 fzb *	
44	1	302947-28-0	SECURING PLATE HV VIII	
45	2	600192-99-0	BOLT MC6S 6x12 fzb *	
46	2	600238-99-0	WASH BRB ISO 7089 6.4x12x1.6 fzb STD	
47	1	1822061	ACTU LEGREST	
48	2	1825219	SPACER L=24	
49	2	613293	SCREW DIN 7984 M10x40 Fe/Zn	
50	1	600241-99-0	WASH BRB 10.5x20x2 fzb *	
51	1	600229-99-0	LOCK NUT M10 FZB *	
52	0	1822087	SCREW KIT ACTU	
53	1	306656-28-0	SUPP WHEEL DRIVE VIII *	
54	1	306655	FRAME SUPPORTWHEEL	
55	2	602185	PIVOTWHEEL	
56	2	602238-99-0	BOLT MF6S 10x25 fzb *	
57	1	309455	WHEELHOLDER KIT	
58	1	309454	WHEELHOLDER	
59	2	602198	WHEEL	
60	1	602039	SCREW ISO 4762 6x65	
61	1	600227-99-0	LOCK NUT M6 FZB *	
62	4	600238-99-0	WASH BRB ISO 7089 6.4x12x1.6 fzb STD	
63	2	600736-99-0	BOLT K6S 6x10 fzb *	
64	4	601708	SCREW ISO 10642 M5x10	



Pos	Qty	Stock Code	Description	Remark
1	1	1821531	CABLE JUMPER 1500mm	
2	1	1821304	JUNCTION BOX	
3	1	1821915	SWITCH BOX, TOGGLES	
3	1	1824120	SWITCH BOX, PUSHBUTTONS	
4	1	1822082	GENERAL MODULE VS-SEAT ACTUATOR	
4	1	1822796	PCB ICS SEAT CONTROL MAIN MODULE INCL BOX	MOUNTED ON CHASSIE
5	1	1821828	CABLE ACTUATOR VS-SEAT	
6	1	1821922	SWICH CABLE CRUSHPROTECT	
7	1	307452-00-0	ACTUATOR RAISING	
8	1	1821827	CABLE EXTENSION 700mm	
9	1	1822061	ACTUATOR LEGREST	
10	2	1821899	CABLE EXTENSION 1000mm	
11	1	1821990	ACTUATOR SEAT TILT	INCL. BOLT KIT
12	1	1822062	ACTUATOR BACKREST	
13	1	1821784	CABL ELECTRONIC P+ ICS	
14	1	1825147	Cable switch box L=3000	

When you order spare parts, the following must always be specified:

- The product model (for example, power wheelchair C300).
- The description of the part.
- always use the description used in this catalog.
- The entire part number.
- The quantity.

NB! In some cases, parts appear in the spare part catalog without a part number. This means that the part cannot be ordered from Permobil. We have, however, chosen to describe it for your information. Standard components such as screws, nuts, washers and similar parts can be purchased in an ordinary shop using the information in this catalog.

Description of Positioning list

The positioning list consist of:

A = Indicates the sparepart-group covered by the catalog.

B = Indicates part of the sparepart-group.

C = Under C there are five columns:

- 1** = Pos.no: Position number
- 2** = Pcs: Total number of given pos-no.
- 3** = Part no.: Part number
- 4** = Description: Article name
- 5** = Remark: Reserved for additional information such as reservations, restrictions etc.



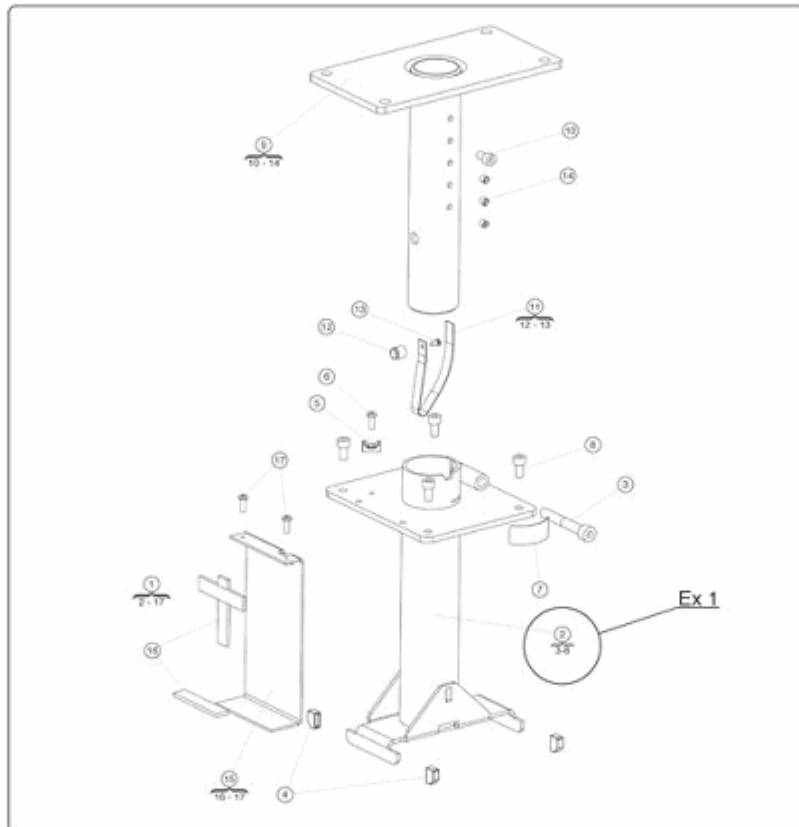
Pos no.	Pcs	Part no.	Description	Benämning	Remark/Anm.
1	1	1820446	Seat Tube	Sitsrör fast	
1	1	1820418	Seat Tube for tilt	Sitsrör fast för sitslutning	
2	1		Outer tube	Ytterrör	
3	1		Screw ISO 4762 M8x55 fzb	Skruv ISO 4762 M8x55 fzb	
4	4	1820421	Cap	Hätta	
5	1		Cable Tie Holder 10x15	Buntbandsfäste 10x15	
6	1		Screw ISO 7380 M4x6 fzb	Skruv ISO 7380 M4x6 fzb	
7	1		Nut DIN 985 M4 fzb	Mutter DIN 985 M4 fzb	
8	4		Screw ISO 4762 M6x10 fzb	Skruv ISO 4762 M6x10 fzb	
9	1	1820422	Inner tube	Innerrör	
9	1	1820419	Inner tube for tilt	Innerrör för tilt	
10	1		Screw ISO 4762 M6x10 fzb	Skruv ISO 4762 M6x10 fzb	
11	1		Bracket	Fjäder	
12	1		Stop	Stång	
13	1		Screw ISO 7380 M3x6 fzb	Skruv ISO 7380 M3x6 fzb	
14	1		SLS Bracket	SLS fäste	

Part

A part consists of one or more parts. If a part consists of several parts, a bracket in connection with the part's item bubble is used to show the parts included in the part in the exploded views. See example 1.

Quantity

The quantity specified in front of a part is the total quantity for the entire product.

**Example 1:**

The fixed seat tube, pos 2, includes pos 3 to 8, that are indicated in the bracket below (see above).

Example 2:

If a outer tube, pos 2, is ordered, the quantity is 1. In other words, there is just one outer tube on the chassis. However, if you look at the number of parts included, the quantity may vary. For example, in pos 4, the complete outer tube comprises 4 parts.

Vid beställning av reservdelar skall följande alltid anges:

- Produktmodell (ex.vis elrullstol C300).
- Artikelns benämning.
- använd samma benämning som i denna reservdelskatalog vid beställning.
- Hela artikelnumret.
- Antal.

OBS! I reservdelskatalogen förekommer i vissa fall detaljer utan angivet artikelnr. Det innebär att detaljen inte går att beställa från Remobil, men vi har ändå valt att beskriva dem för din information. Standardkomponenter så som skruv, mutter, bricka och liknande detaljer kan införskaffas i den ordinarie detaljhandeln med hjälp av informationen i denna katalog.

Beskrivning av positionslistor

Positionslistan består av:

A = Visar vilken produkt katalogen beskriver.

B = Visar vilken del av produkten som visas på aktuell sida.

C = Under C finns fem kolumner:

- 1 = Pos.no: Positionsnummer
- 2 = Pcs: Antal detaljer som ingår i aktuellt pos.nummer
- 3 = Part no.: Artikelnummer
- 4 = Benämning: Artikelns benämning (svensk och engelsk benämning)
- 5 = Anmärkning: Plats för ev. tilläggsinformation, förbehåll etc.



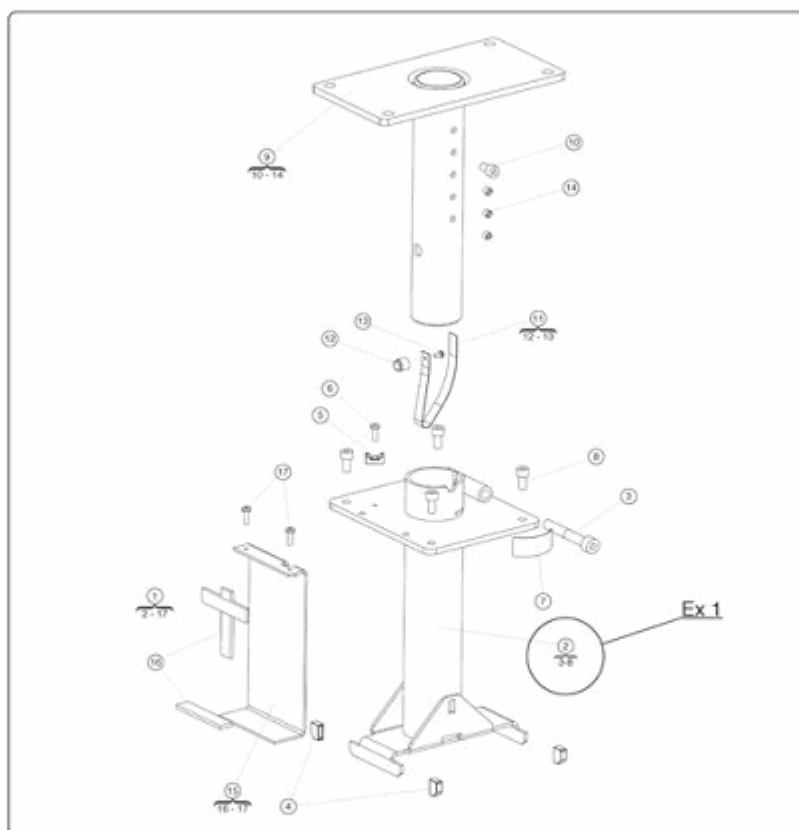
Pos no.	Pcs	Part no.	Description	Benämning	Remark/Anm.
1	1	1820446	Seat Tube	Sitsrör fast	
1	1	1820418	Seat Tube for tilt	Sitsrör fast för sitslutning	
2	1		Outer tube	Ytterrör	
3	1		Screw ISO 4762 M8x55 fzb	Skruv ISO 4762 M8x55 fzb	
4	4	1820421	Cap	Hätta	
5	1		Cable Tie Holder 10x15	Buntbandsfäste 10x15	
6	1		Screw ISO 7380 M4x6 fzb	Skruv ISO 7380 M4x6 fzb	
7	1		Nut DIN 985 M4 fzb	Mutter DIN 985 M4 fzb	
8	4		Screw ISO 4762 M6x10 fzb	Skruv ISO 4762 M6x10 fzb	
9	1	1820422	Inner tube	Innerrör	
9	1	1820419	Inner tube for tilt	Innerrör för tilt	
10	1		Screw ISO 4762 M6x10 fzb	Skruv ISO 4762 M6x10 fzb	
11	1		Bracket	Fjäder	
12	1		Stop	Stång	
13	1		Screw ISO 7380 M3x6 fzb	Skruv ISO 7380 M3x6 fzb	
14	1		SLS Bracket	SLS fäste	

Artikel

En artikel består av en eller flera detaljer. Om en artikel består av flera detaljer är det markerat i sprängskisserna med ett klamer i anslutning till artikelns posubbla där det står vilka detaljer som ingår i artikeln. se Ex 1.

Antal

Det angivna antalet framför en artikel är det sammanlagda antalet för hela produkten.

**Ex 1:**

I fast sitsrör Pos. 2, ingår poserna 3till 8 som står i klamret under. (se ovan)

Ex 2:

Beställs ett Ytterrör, pos. 2, så står det att antalet är 1. Det finns med andra ord bara ett ytterrör på chassit. Men om man tittar på antalet i ingående detaljer, så kan antalet variera, i tex. pos 4 är det 4 st för att ytterröret ska vara komplett.

Lined area for notes, consisting of numerous horizontal dashed lines.



PAB no: 1251