

LSCO

Spare Part Catalog



LSCO

Stand-Up Wheelchair

Permobil Group's Head Office
Permobil AB
Box 120
861 23 Timrå
Sweden

Tel +46 60 59 59 00
Fax + 46 60 57 52 50

E-mail info@permobil.se

Lifestand Groupe Permobil
5 rue Clément Ader
69740 Genas
France

Tel. +33 (0)4 37 26 27 28
Fax +33 (0)4 37 26 27 29

Email info@permobil.com

Summary

Rolling base assembly.....	7
Welded chassis assembly.....	9
Frame assembly.....	11
Left front wheel assembly.....	13
Right front wheel assembly.....	15
Rear wheels assembly.....	17
Seat assembly.....	19
Upper seat assembly.....	21
Lower seat assembly.....	23
Kit UNITRACK for seat depth 41 cm.....	25
Kit UNITRACK for seat depth 43 to 53 cm.....	25
Backrest assembly.....	27
Armrests assembly.....	29
Pantograph and drainpipe armrest assembly.....	31
Additional armrests assembly.....	33
Headrest assembly.....	35
Tray table assembly.....	37
Legrest frame assembly.....	39
Legrest assembly.....	41
Footplate assembly.....	43
Calfrest assembly.....	45
Knee support assembly.....	47
Textiles.....	49
Varilite accessories.....	51
Electronic.....	53
Lights and cover assembly.....	55
Accessories.....	57
Side guard.....	59
Thoracic support.....	61
Lateral support.....	63

LSCO

SPARE PART CATALOG

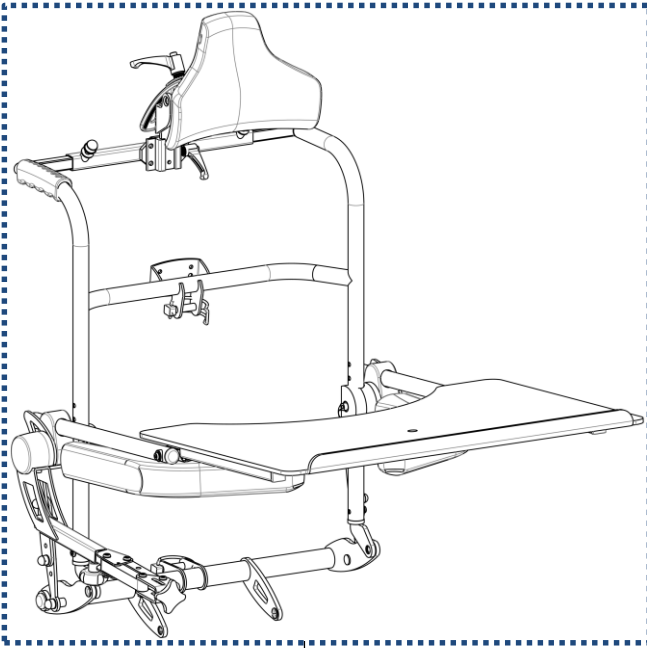


Item N° **323604**

Revision **A**

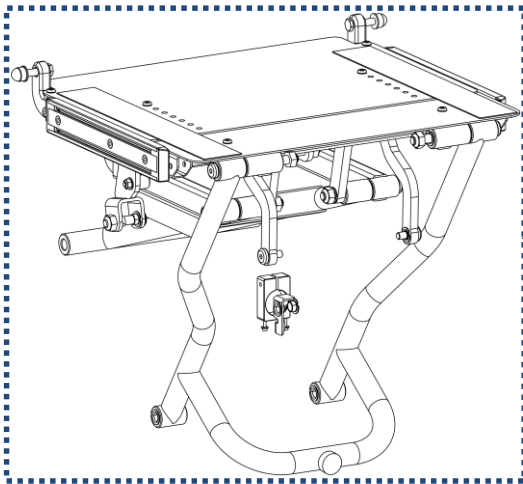
Date **29/07/2015**

Page **4** of **63**

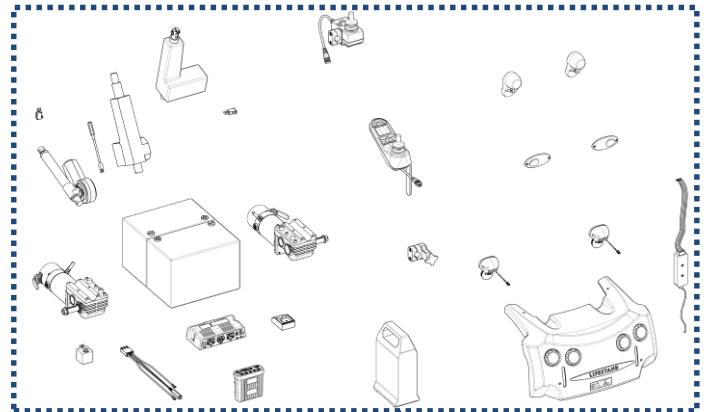


P 26-37

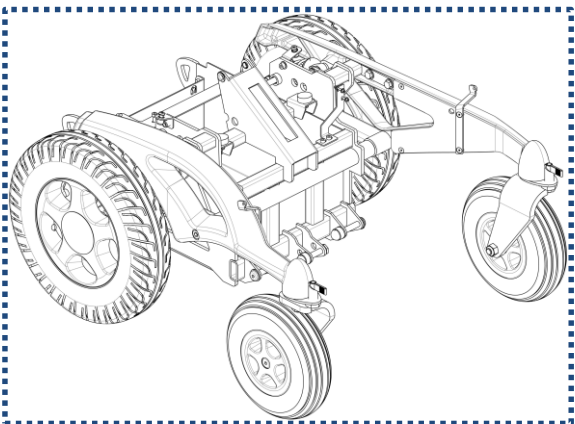
P 48-51



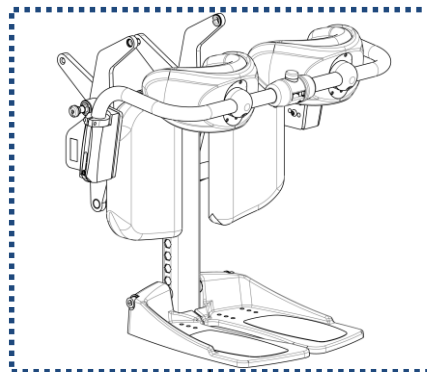
P 18-25



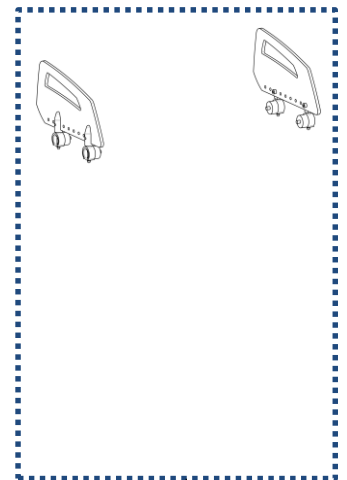
P 52-55



P 6-17

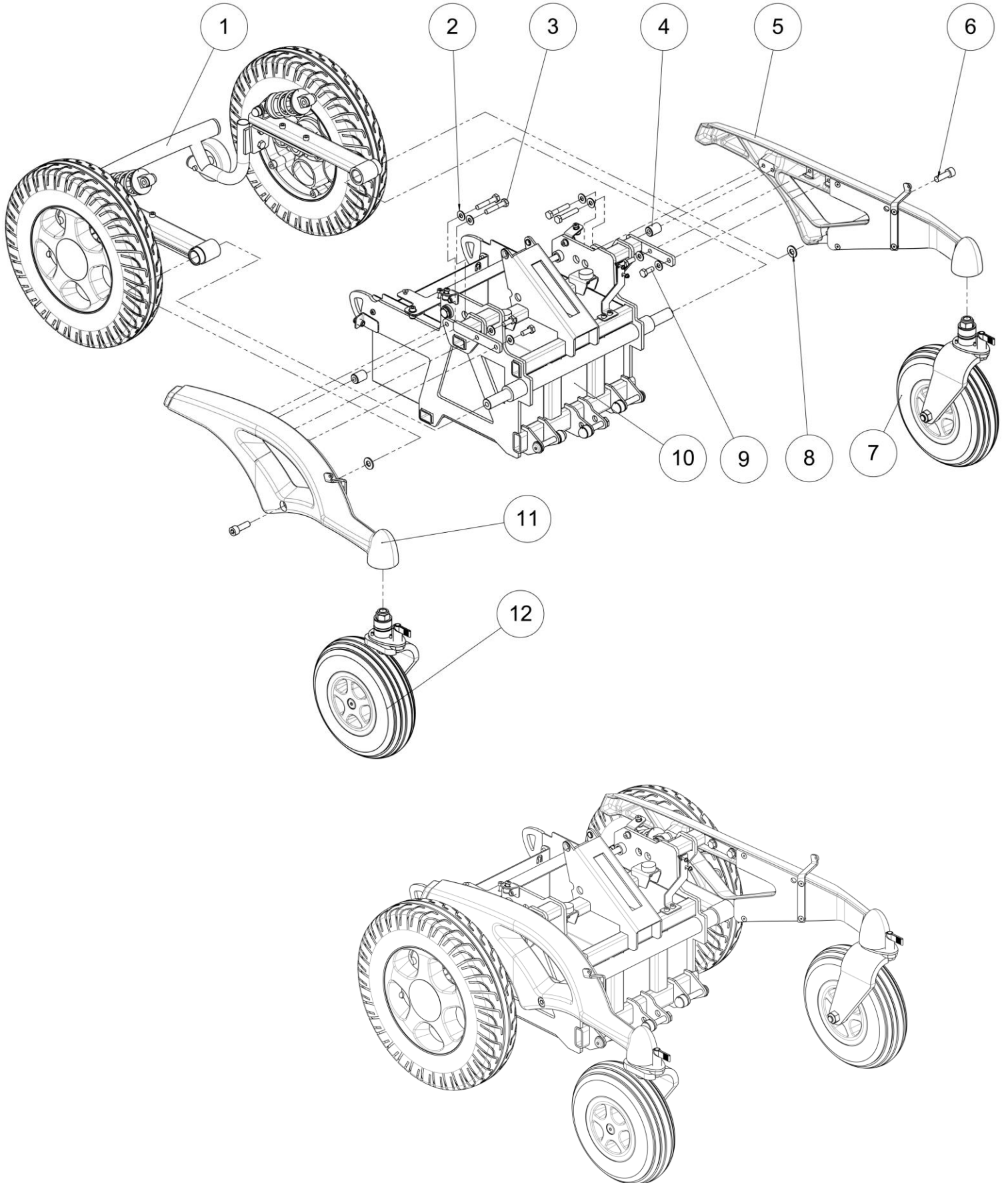


P 38-47



P 56-63

Rolling base assembly



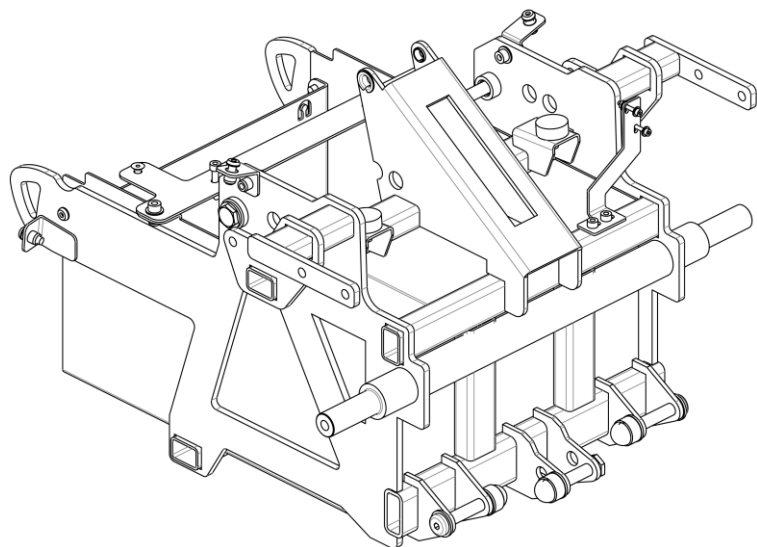
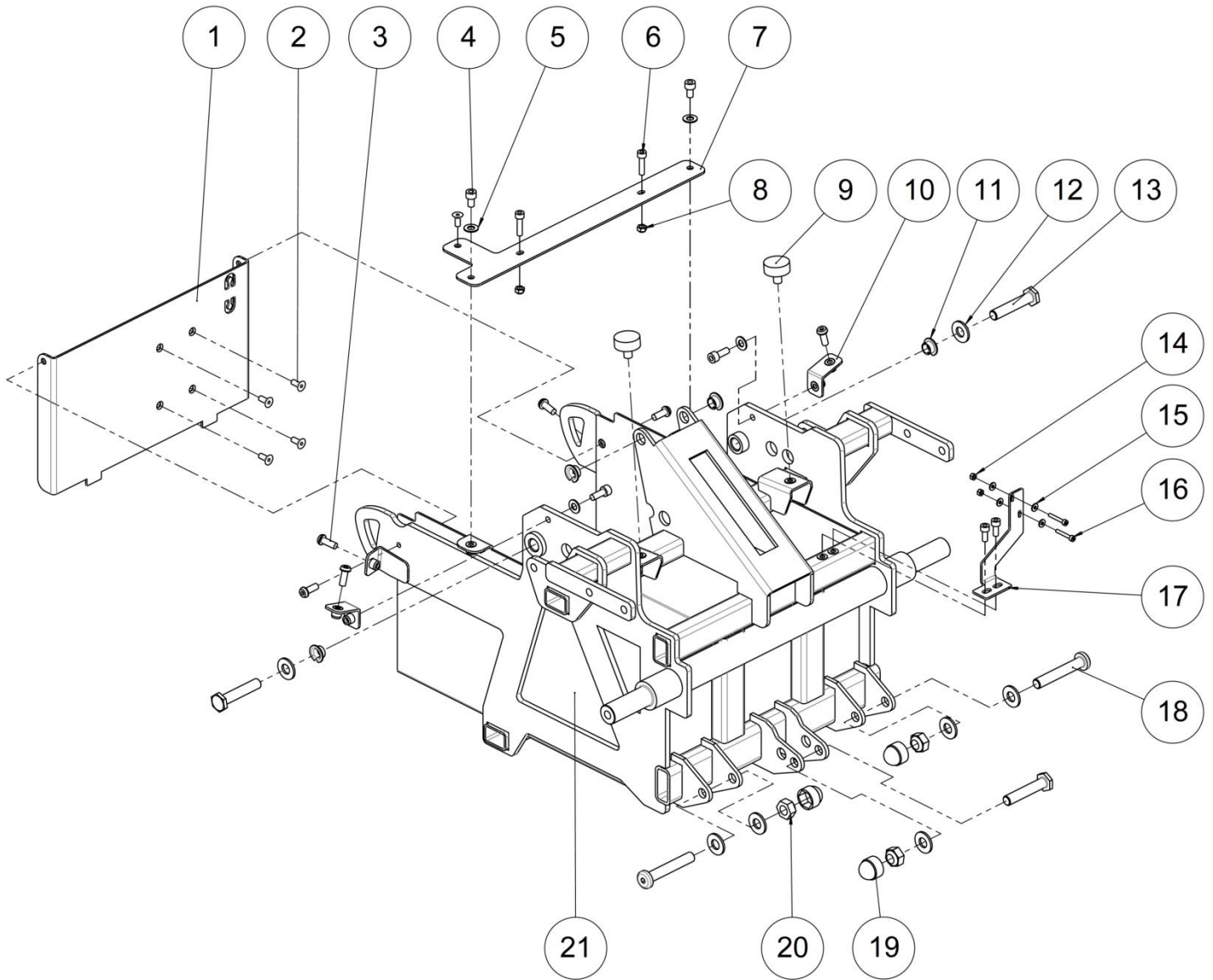
Rolling base assembly

Rolling base assembly

Pos	Qty	Stock Code	Description En	Description Fr	Remark
1	1		Rear wheels assembly	Ensemble roues arrières	See exploded view p.16
2	8	RON-M8ZN	Plain washer Ø8	Rondelle plate M Ø8	
3	4	VIS-H8X45ZN	Hexagon head screw M8x45	Vis tête hexagonale M8x45	
4	2	O1081XXXZN	Chassis spacer	Entretoise châssis	
5	1		Left frame assembly	Ensemble châssis gauche	See exploded view p.10
6	2	VIS-CHC10X30ZN	Hexagon socket head cap screw M10x30	Vis tête cylindrique M10x30 six pans creux	
7	1		Left front wheel assembly	Ensemble roue avant gauche	See exploded view p.12
8	2	RON-M10ZN	Plain washer Ø10	Rondelle plate M Ø10	
9	4	VIS-H8X20ZN	Hexagon head screw M8x20	Vis tête hexagonale M8x20	
10	1		Welded chassis assembly	Ensemble châssis mécano-soudé	See exploded view p.8
11	1		Right frame assembly	Ensemble châssis droit	See exploded view p.10
12	1		Right front wheel assembly	Ensemble roue avant droite	See exploded view p.14

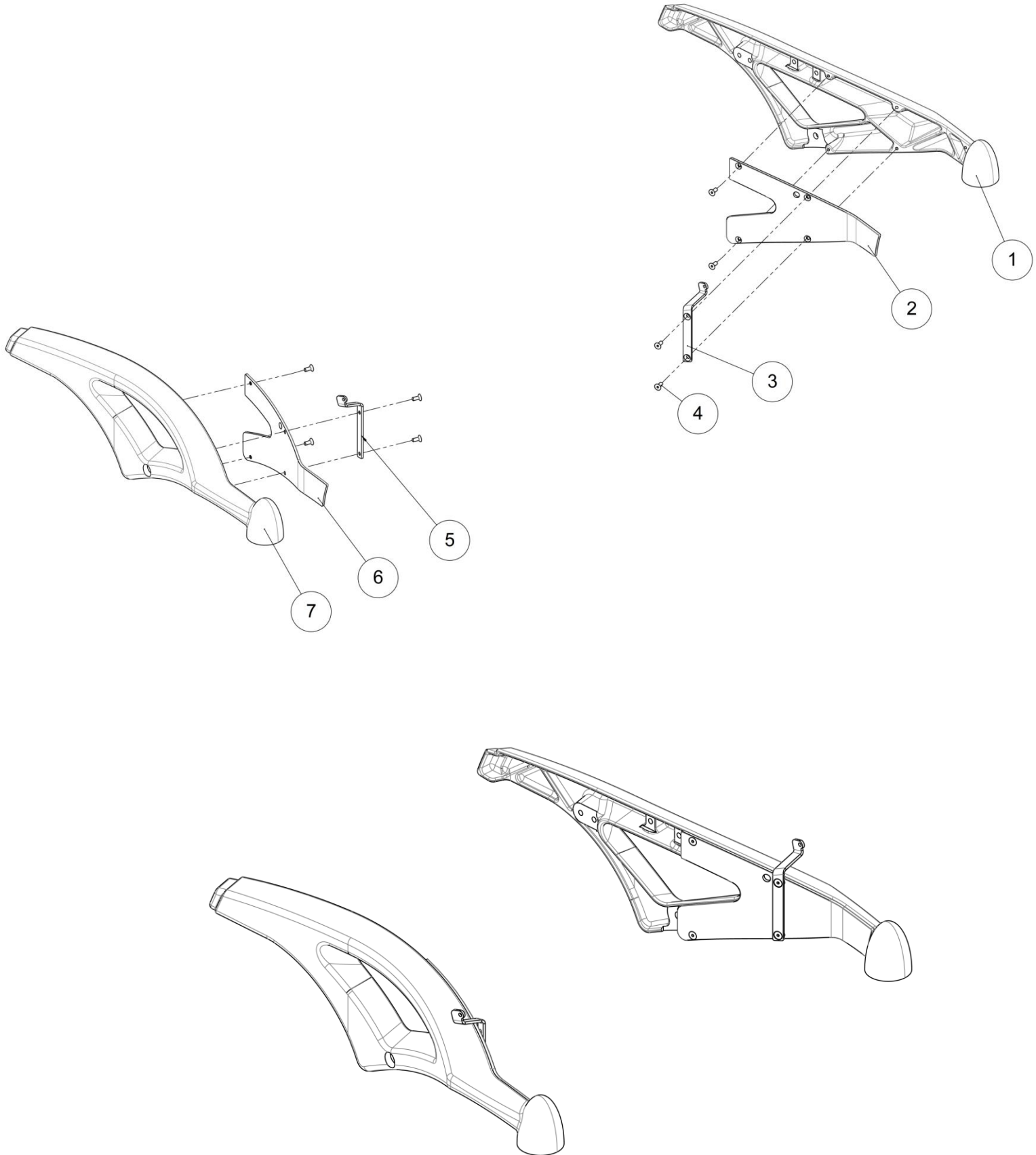
Rolling base assembly

Welded chassis assembly

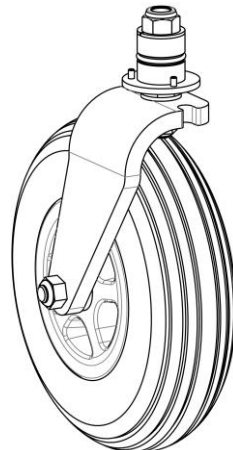
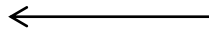
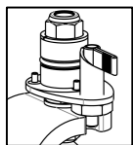
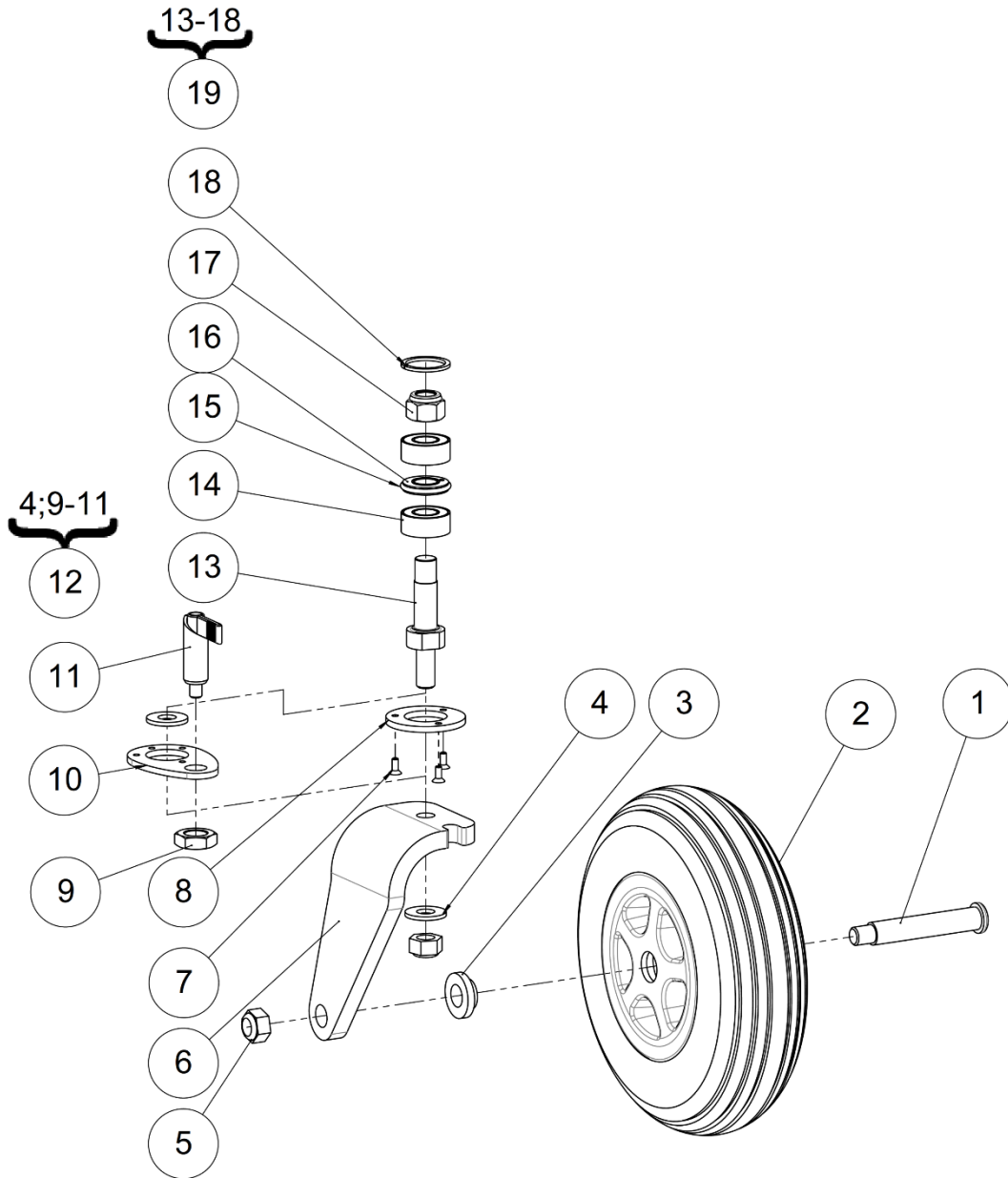


Welded chassis assembly

Pos	Qty	Stock Code	Description En	Description Fr	Remark
1	1	O1002XXXXPN	Holder plate	Plateau support	
2	5	VIS-FHC5X12ZN	Hexagon socket countersunk head screw M5x12	Vis tête fraisée M5x12 six pans creux	
3	6	VIS-CBHC6X16N	Hexagon socket button head screw M6x16 black	Vis tête bombée M6x16 six pans creux noir	
4	4	VIS-CHC6X16ZN	Hexagon socket head cap screw M6x16	Vis tête cylindrique M6x16 six pans creux	
5	4	RON-M6ZN	Plain washer Ø6	Rondelle plate M Ø6	
6	2	VIS-CHC5X20ZN	Hexagon socket head cap screw M5x20	Vis tête cylindrique M5x20 six pans creux	
7	1	O1003XXXXPN	Power module holder	Support power module	
8	2	ECR-HFR5ZN	Prevailing torque type hexagon nut M5	Ecrou frein M5	
9	2	C1007XXXXFO	Shock absorber Ø25x10 mm M8x12 mm	Amortisseur Ø25x10 mm M8x12 mm	
10	2	O1006XXXXPN	Housing fastener	Fixation capot	
11	4	L0007100FO	Collar bearing Ø10xØ12x7 mm	Coussinet à collerette Ø10xØ12x7 mm	
12	7	RON-M10ZN	Plain washer Ø10	Rondelle plate M Ø10	
13	3	C0204XXXXZN	Axle Ø10x51.5x17 mm	Axe Ø10x51.5x17 mm	
14	2	ECR-HFR3ZN	Prevailing torque type hexagon nut M3	Ecrou frein M3	
15	4	RON-M3ZN	Plain washer Ø3	Rondelle plate M Ø3	
16	2	VIS-CHC3X20ZN	Hexagon socket head cap screw M3x20	Vis tête cylindrique M3x20 six pans creux	
17	1	O5002XXXXPN	Switch holder	Support switch	
18	2	O1082XXXXZN	Axle n°9	Axe n°9	
19	3	C0216XXXXFO	Nut cap M10	Cache écrou M10	
20	3	ECR-HFR10ZN	Prevailing torque type hexagon nut M10	Ecrou frein M10	
21	1	O1001XXXXPN	Welded chassis	Châssis mécano-soudé	



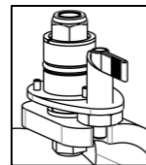
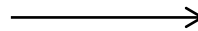
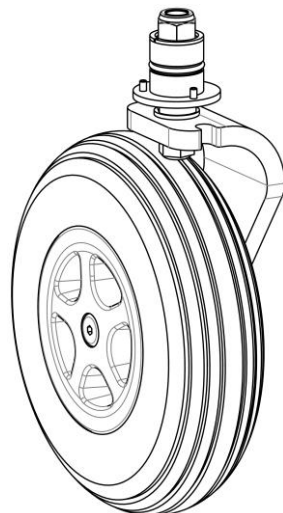
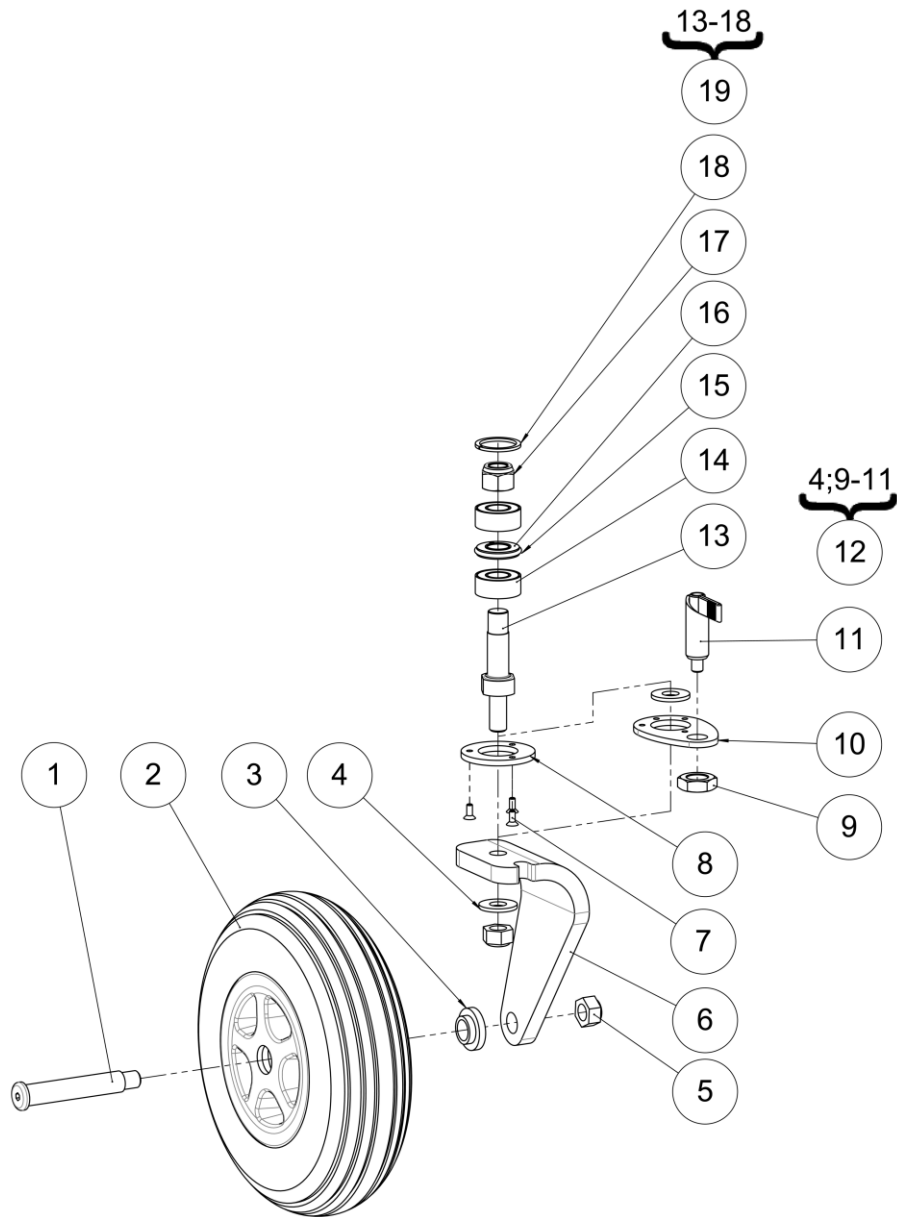
Frame assembly					
Pos	Qty	Stock Code	Description En	Description Fr	Remark
1	1	O1000LXXPN	Left molded frame black	Châssis gauche moulé noir	
		O1000LXXPB	Left molded frame blue	Châssis gauche moulé bleu	
		O1000LXXPR	Left molded frame red	Châssis gauche moulé rouge	
		O1000LXXBL	Left molded frame white	Châssis gauche moulé blanc	
2	1	O1004LXXFO	Left front casing	Carter avant gauche	
3	1	O1005LXXPN	Left light holder	Support phare gauche	
4	8	VIS-FHC5X10ZN	Hexagon socket countersunk head screw M5x10	Vis tête fraisée M5x10 six pans creux	
5	1	O1005RXXPN	Right light holder	Support phare droit	
6	1	O1004RXXFO	Right front casing	Carter avant droit	
7	1	O1000RXXPN	Right molded frame black	Châssis droit moulé noir	
		O1000RXXPB	Right molded frame blue	Châssis droit moulé bleu	
		O1000RXXPR	Right molded frame red	Châssis droit moulé rouge	
		O1000RXXBL	Right molded frame white	Châssis droit moulé blanc	



With kit anti-rotate locking front fork

Left front wheel assembly

Pos	Qty	Stock Code	Description En	Description Fr	Remark
1	1	O7005XXXZN	Front wheel axle	Axe roue avant	
2	1	O7008XXXFO	Wheel 2.80/2.50-4"	Roue 2.80/2.50-4"	
3	1	O7003XXXZN	Front wheel spacer	Entretoise roue avant	
4	2	RON-M12ZN	Plain washer Ø12	Rondelle plate M Ø12	
5	2	ECR-HFR12ZN	Prevailing torque type hexagon nut M12	Ecrou frein M12	
6	1	O7001LXXPN	Left wheelfork one arm	Fourche monobras gauche	
7	3	VIS-FHC4X12ZN	Hexagon socket countersunk head screw M4x12	Vis tête fraisée M4x12 six pans creux	
8	1	O7002XXXZN	Locking washer	Rondelle de blocage	
9	1	O1008EXXFO	Locking nut	Contre-écrou de verrou	
10	1	O1007XXXFO	Anti-rotate locking washer	Rondelle de blocage anti-rotation	Used for kit anti-rotate locking front fork instead of O7002XXXZN
11	1	O1008XXXFO	Anti-rotate lock	Verrou indexage anti-rotation	
12	0,5	O1009XXXFO	Kit anti-rotate locking front fork (pair)	Kit anti-rotation fourche avant (paire)	
13	1	322114	Fork axle Ø15	Axe fourche Ø15	
14	2	614371	Bearing 63002LLU	Roulement 63002LLU	
15	1	O7009XXXFO	O-ring 26x3 mm	Joint torique 26x3 mm	
16	1	321254	Friction plate	Disque de friction	
17	1	614370	Prevailing torque type hexagon nut M14	Ecrou frein M14	
18	1	322115	Bearing spacer	Entretoise de calage	If the depth of bearing housing is 32 mm , don't use this bearing spacer
19	0,5	322344	Kit fork axle reinforced version (pair)	Kit axe de fourche version renforcée (paire)	



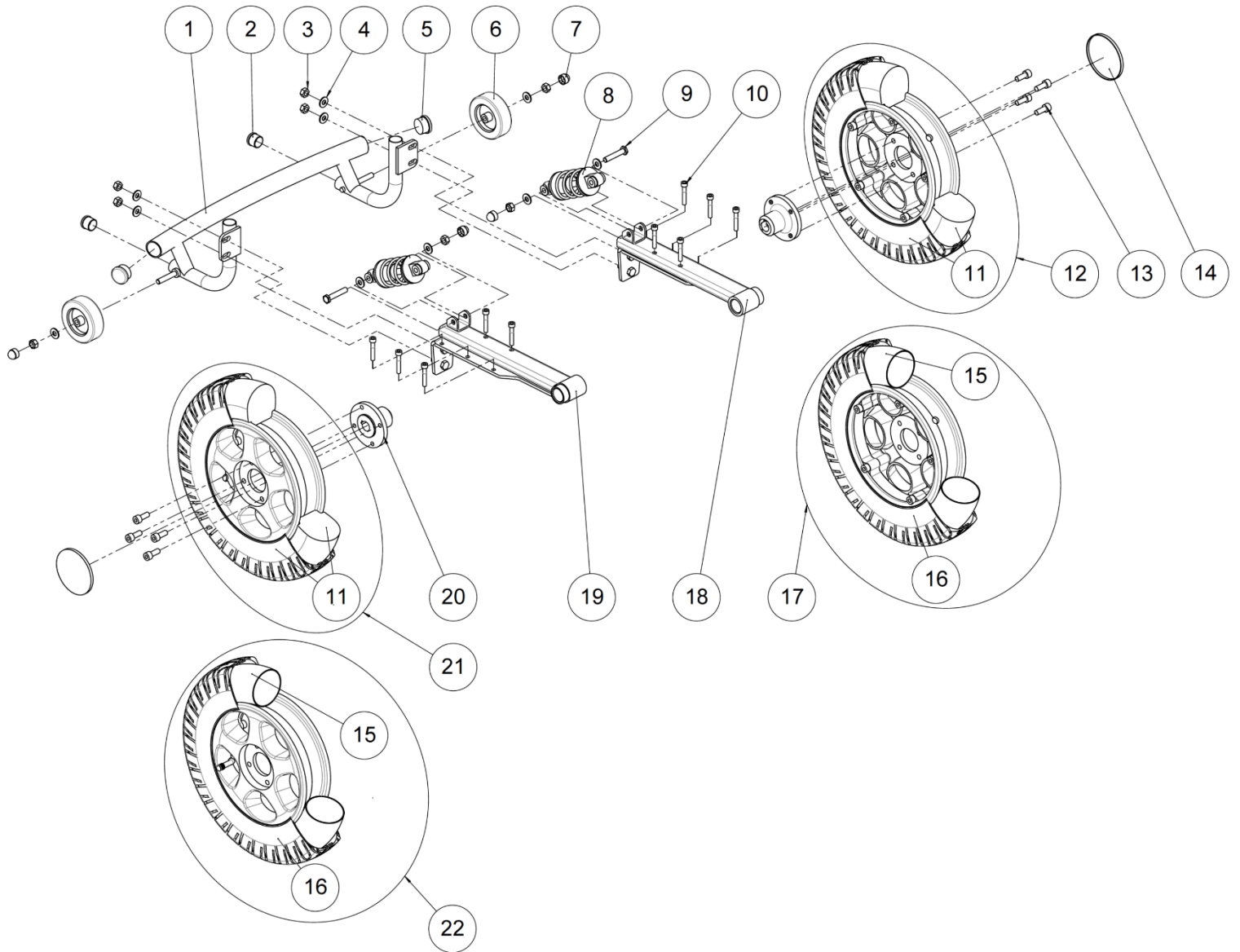
With kit anti-rotate locking front fork

Right front wheel assembly

Pos	Qty	Stock Code	Description En	Description Fr	Remark
1	1	O7005XXXZN	Front wheel axle	Axe roue avant	
2	1	O7008XXXFO	Wheel 2.80/2.50-4"	Roue 2.80/2.50-4"	
3	1	O7003XXXZN	Front wheel spacer	Entretoise roue avant	
4	2	RON-M12ZN	Plain washer Ø12	Rondelle plate M Ø12	
5	2	ECR-HFR12ZN	Prevailing torque type hexagon nut M12	Ecrou frein M12	
6	1	O7001RXXPN	Right wheelfork one arm	Fourche monobras droite	
7	3	VIS-FHC4X12ZN	Hexagon socket countersunk head screw M4x12	Vis tête fraisée M4x12 six pans creux	
8	1	O7002XXXZN	Locking washer	Rondelle de blocage	
9	1	O1008EXXFO	Locking nut	Contre-écrou de verrou	
10	1	O1007XXXFO	Anti-rotate locking washer	Rondelle de blocage anti-rotation	Used for kit anti-rotate locking front fork instead of O7002XXXZN
11	1	O1008XXXFO	Anti-rotate lock	Verrou indexage anti-rotation	
12	0,5	O1009XXXFO	Kit anti-rotate locking front fork (pair)	Kit anti-rotation fourche avant (paire)	
13	1	322114	Fork axle Ø15	Axe fourche Ø15	
14	2	614371	Bearing 63002LLU	Roulement 63002LLU	
15	1	O7009XXXFO	O-ring 26x3 mm	Joint torique 26x3 mm	
16	1	321254	Friction plate	Disque de friction	
17	1	614370	Prevailing torque type hexagon nut M14	Ecrou frein M14	
18	1	322115	Bearing spacer	Entretoise de calage	If the depth of bearing housing is 32 mm , don't use this bearing spacer
19	0,5	322344	Kit fork axle reinforced version (pair)	Kit axe de fourche version renforcée (paire)	

Rolling base assembly

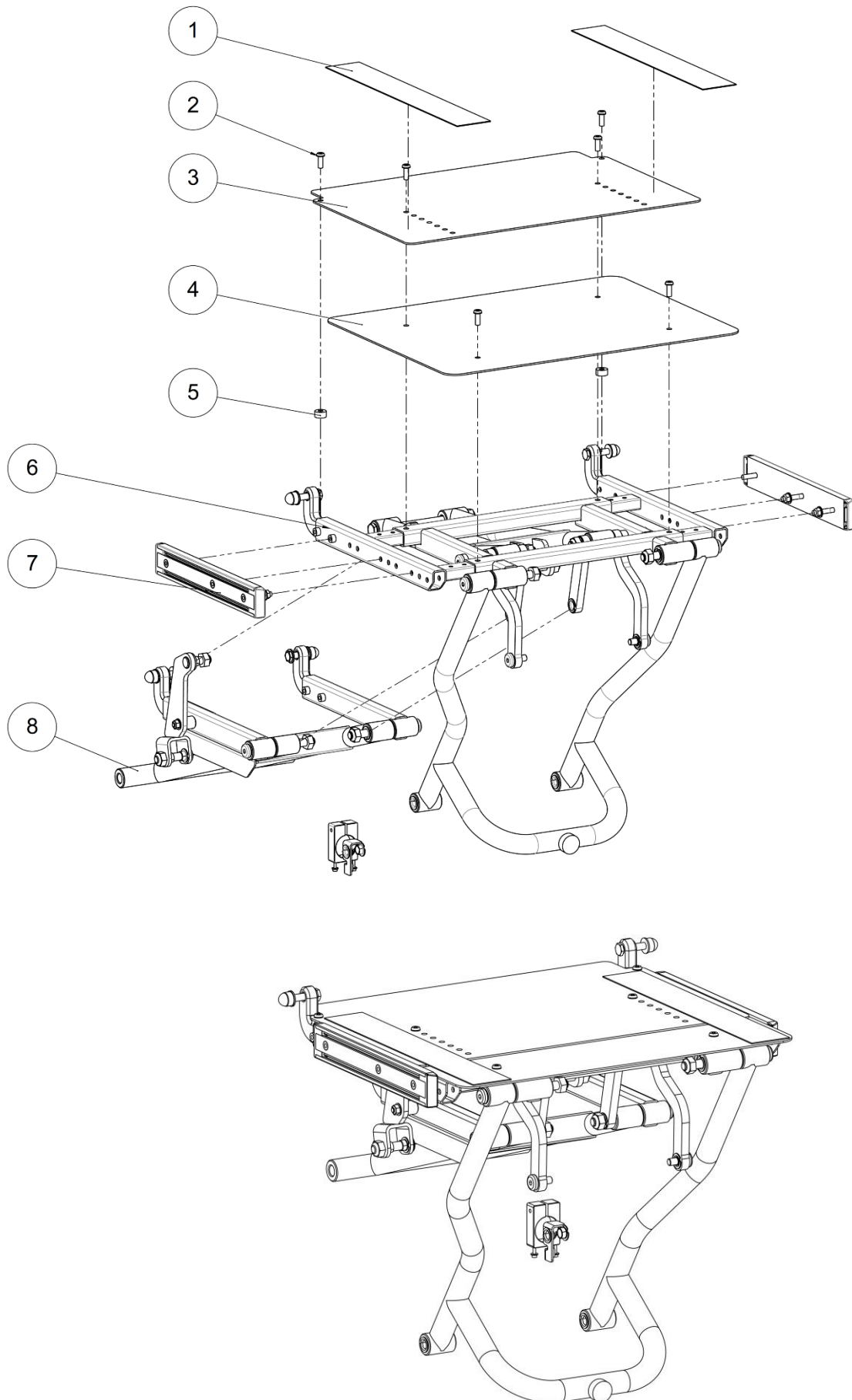
Rear wheels assembly



Rear wheels assembly

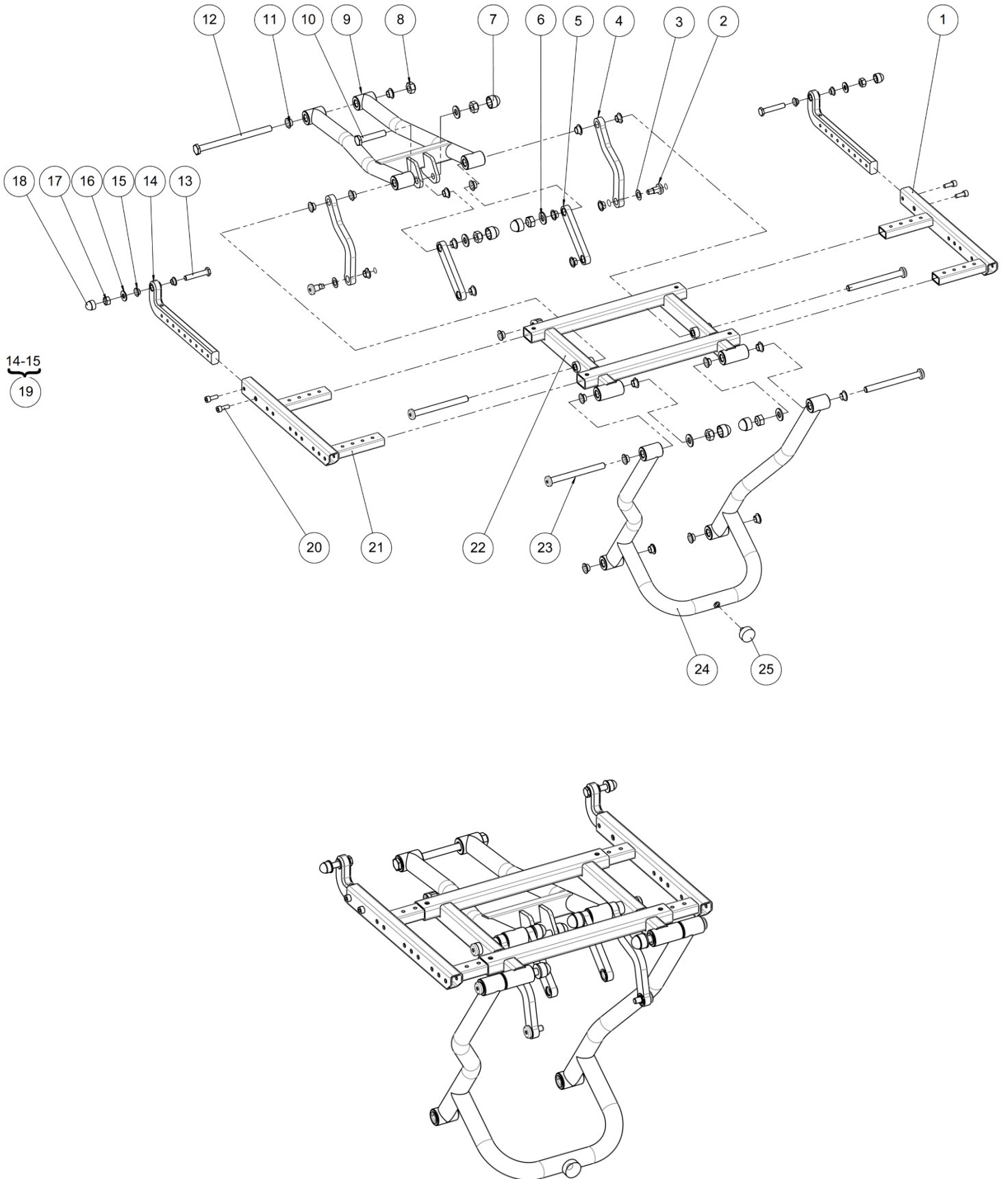
Pos	Qty	Stock Code	Description En	Description Fr	Remark
1	1	O1010XXXPN	Bumper	Pare-choc	
2	2	L0005221FO	Black cap for tube Ø22.1 mm	Bouchon plastique noir pour tube Ø22.1 mm	
3	8	ECR-HFR8ZN	Prevailing torque type hexagon nut M8	Ecrou frein M8	
4	10	RON-M8ZN	Plain washer Ø8	Rondelle plate M Ø8	
5	2	L0005300FO	Black cap Ø30 mm	Bouchon plastique noir Ø30 mm	
6	2	C7075XXXFO	Anti-tipper wheel Ø75x24 mm	Roue anti-bascule Ø75x24 mm	
7	4	C0214XXXFO	Nut cap M8	Cache écrou M8	
8	2	O1030XXXFO	Shock absorber	Amortisseur	
9	2	L0015XXXZN	Axle 8x43 mm	Axe 8x43 mm	
10	10	VIS-CHC6X35ZN	Hexagon socket head cap screw M6x35	Vis tête cylindrique M6x35 six pans creux	
11	2	C7301FLEFO	Solid tyre 3.00-8"	Pneu plein 3.00-8"	
12	1	C7110LFLFO	Rear wheel 3.00-8" left – silver alu rim - solid	Roue arrière 3.00-8" gauche – jante alu - bandage	
13	8	VIS-CHC8X16ZN	Hexagon socket head cap screw M8x16	Vis tête cylindrique M8x16 six pans creux	
14	2	C7111XXXFO	Plastic cover rear rim	Cache plastique jante arrière	
15	2	MP705XXXFO	Tube 3.00-8"	Chambre à air 3.00-8"	
16	2	MP704XXXFO	Tyre 3.00-8"	Pneu 3.00-8"	
17	1	C7110LGOFO	Rear wheel 3.00-8" left – silver alu rim - inflatable	Roue arrière 3.00-8" gauche – jante alu - gonflable	
18	1	O1011LXXPN	Left swingarm	Bras oscillant gauche	
19	1	O1011RXXPN	Right swingarm	Bras oscillant droit	
20	2	C7112XXXAI	Hub	Moyeu	
21	1	C7110RFLFO	Rear wheel 3.00-8" right – silver alu rim - solid	Roue arrière 3.00-8" droite – jante alu - bandage	
22	1	C7110RGOFO	Rear wheel 3.00-8" right – silver alu rim - inflatable	Roue arrière 3.00-8" droite – jante alu - gonflable	

Seat assembly

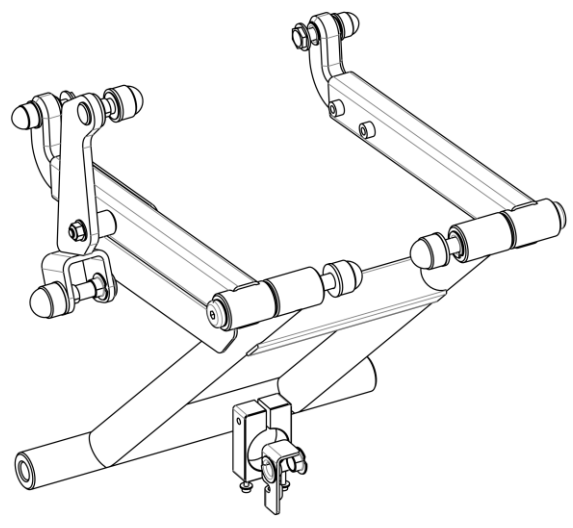
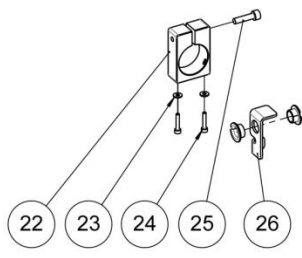
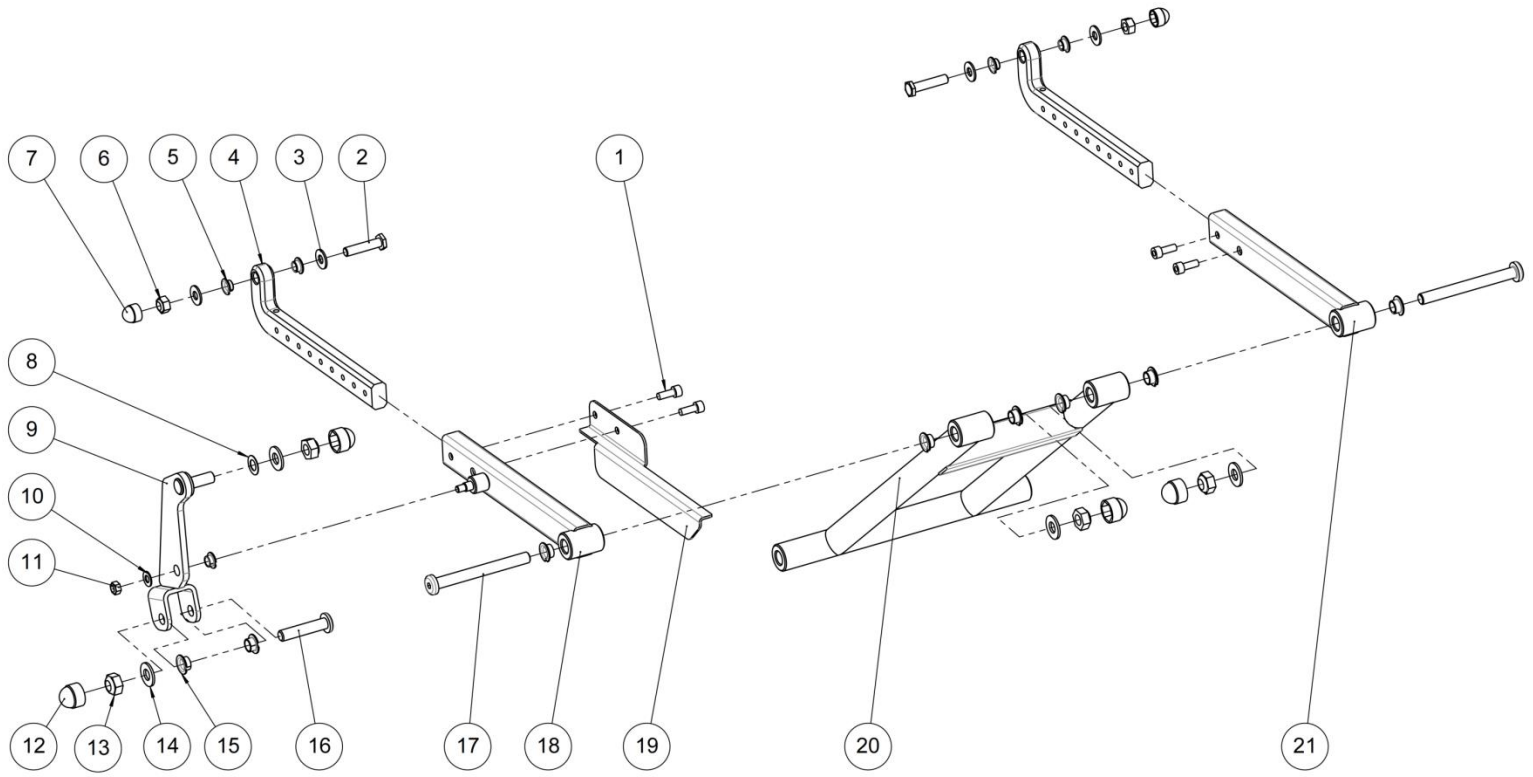


Seat assembly

Seat assembly					
Pos	Qty	Stock Code	Description En	Description Fr	Remark
1	0.04	F1014XXXFO	Black Velcro strap sticker 5 cm – velvet 25 m long	Velcro adhésif velours noir 5 cm – 25 m de long	
2	6	VIS-CBHC6X16N	Hexagon socket button head screw M6x16 black	Vis tête bombée M6x16 six pans creux noire	
3	1	O2010X36PN	Rear seat plate size 36 cm	Tôle arrière assise taille 36 cm	
		O2010X40PN	Rear seat plate size 40 cm	Tôle arrière assise taille 40 cm	
		O2010X44PN	Rear seat plate size 44 cm	Tôle arrière assise taille 44 cm	
		O2010X48PN	Rear seat plate size 48 cm	Tôle arrière assise taille 48 cm	
4	1	O2011X36PN	Front seat plate size 36 cm	Tôle avant assise taille 36 cm	
		O2011X40PN	Front seat plate size 40 cm	Tôle avant assise taille 40 cm	
		O2011X44PN	Front seat plate size 44 cm	Tôle avant assise taille 44 cm	
		O2011X48PN	Front seat plate size 48 cm	Tôle avant assise taille 48 cm	
5	2	C1122XXXFO	Spacer for cover	Entretoise de capot	Not used if seat depth in position 1
6	1		Upper seat assembly	Ensemble assise supérieure	See exploded view p.20
7	1		Kit UNITRACK	Kit UNITRACK	See exploded view p.24
8	1		Lower seat assembly	Ensemble assise inférieure	See exploded view p.22

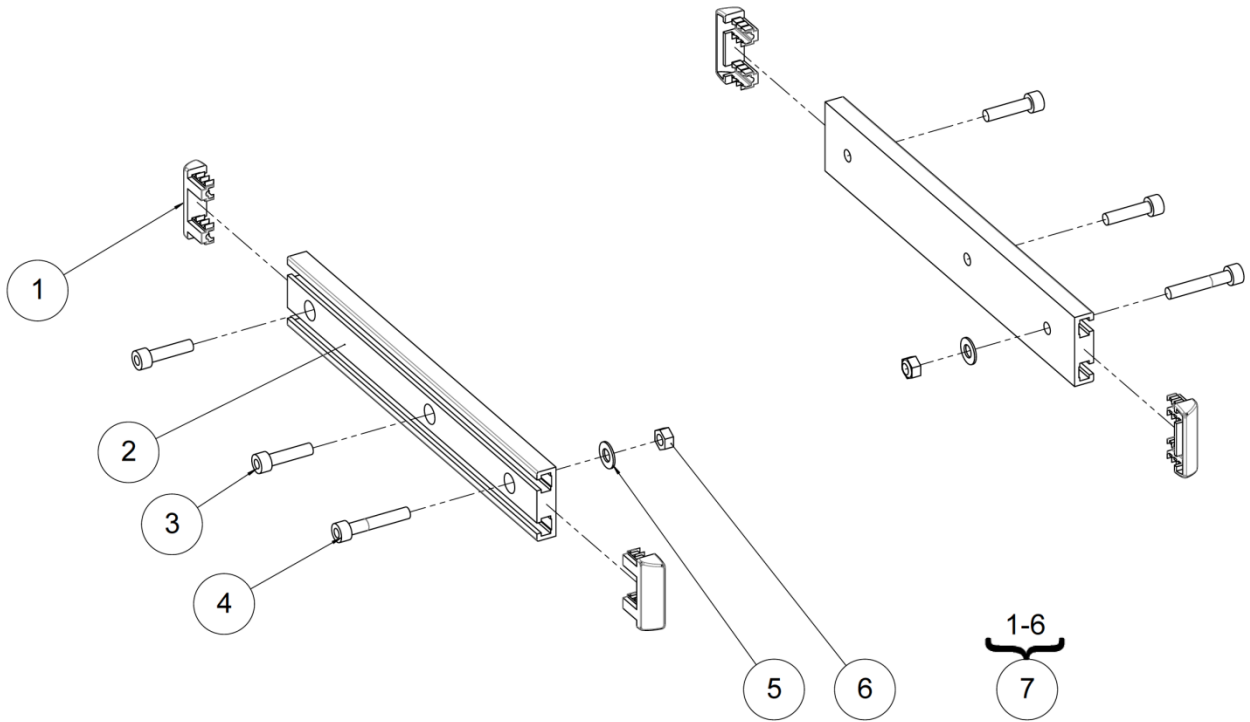


Upper seat assembly					
Pos	Qty	Stock Code	Description En	Description Fr	Remark
1	1	O2002LXXPN	Left upper tube	Tube supérieur gauche	
2	2	O2081XXXZN	Axle n°8	Axe n°8	
3	2	RON-Z10FINEPLAS	Nylon washer $\varnothing 10,2 \times \varnothing 18 \times 0,5$ mm	Rondelle plate nylon $\varnothing 10,2 \times \varnothing 18 \times 0,5$ mm	
4	2	O2008XXXAI	Connecting rod n°4	Bielle n°4	
5	2	O2009XXXAI	Connecting rod n°1	Bielle n°1	
6	5	RON-M10ZN	Plain washer $\varnothing 10$	Rondelle plate M $\varnothing 10$	
7	5	C0216XXXFO	Nut cap M10	Cache écrou M10	
8	6	ECR-HFR10ZN	Prevailing torque type hexagon nut M10	Ecrou frein M10	
9	1	O2003XXXPN	Seat upper arm	Bras supérieur assise	
10	1	C0204XXXZN	Axle $\varnothing 10 \times 51,5 \times 17$ mm	Axe $\varnothing 10 \times 51,5 \times 17$ mm	
11	25	L0007100FO	Collar bearing $\varnothing 10 \times \varnothing 12 \times 7$ mm	Coussinet à collerette $\varnothing 10 \times \varnothing 12 \times 7$ mm	
12	1	C0206XXXZN	Axle $\varnothing 10 \times 146 \times 17$ mm	Axe $\varnothing 10 \times 146 \times 17$ mm	
13	2	O2086XXXZN	Axle $\varnothing 8 \times 44 \times 11$ mm	Axe $\varnothing 8 \times 44 \times 11$ mm	
14	2	O2006XXXAI	Crosshead	Coulisseau	
15	4	L0007080FO	Collar bearing $\varnothing 8 \times \varnothing 10 \times 5,5$ mm	Coussinet à collerette $\varnothing 8 \times \varnothing 10 \times 5,5$ mm	
16	2	RON-M8ZN	Plain washer $\varnothing 8$	Rondelle plate M $\varnothing 8$	
17	2	ECR-HFR8ZN	Prevailing torque type hexagon nut M8	Ecrou frein M8	
18	2	C0214XXXFO	Nut cap M8	Cache écrou M8	
19	2	324978	Kit crosshead	Kit coulisseau	
20	4	VIS-CHC6X16ZN	Hexagon socket head cap screw M6x16	Vis tête cylindrique M6x16 six pans creux	
21	1	O2002RXXPN	Right upper tube	Tube supérieur droit	
22	1	O2002XXXPN	Seat frame	Structure d'assise	
23	4	O2085XXXZN	Axle n°2	Axe n°2	
24	1	O2005XXXPN	Seat front arm	Bras avant assise	
25	1	C1007XXXFO	Shock absorber $\varnothing 25 \times 10$ mm M8x12mm	Amortisseur $\varnothing 25 \times 10$ mm M8x12mm	

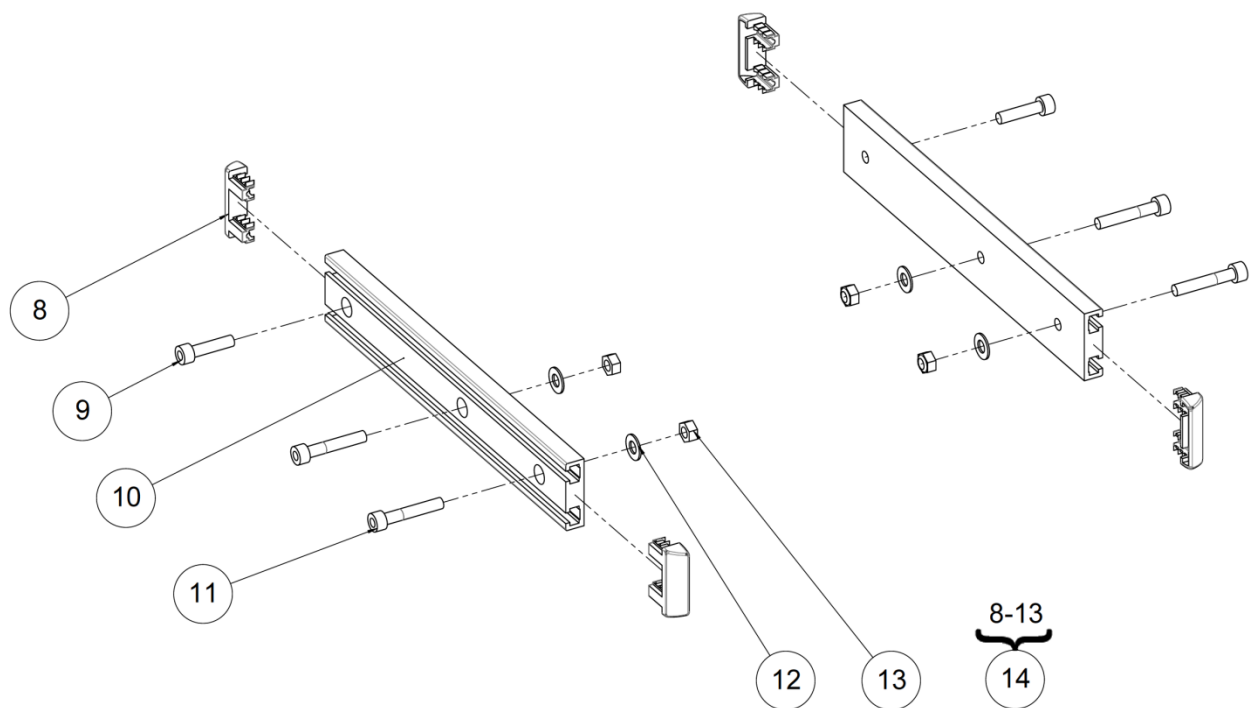


Lower seat assembly					
Pos	Qty	Stock Code	Description En	Description Fr	Remark
1	4	VIS-CHC6X16ZN	Hexagon socket head cap screw M6x16	Vis tête cylindrique M6x16 six pans creux	
2	2	L0016XXXZN	Axle 8x36 mm	Axe 8x36 mm	
3	4	RON-M8ZN	Plain washer Ø8	Rondelle plate M Ø8	
4	2	O2006XXXAI	Crosshead	Coulisseau	
5	5	L0007080FO	Collar bearing Ø8xØ10x5,5 mm	Coussinet à collerette Ø8xØ10x5,5 mm	
6	2	ECR-HFR8ZN	Prevailing torque type hexagon nut M8	Ecrou frein M8	
7	2	C0214XXXFO	Nut cap M8	Cache écrou M8	
8	1	RON-Z10FINEPLAS	Nylon washer Ø10.2xØ18x0.5 mm	Rondelle plate nylon Ø10.2xØ18x0.5 mm	
9	1	O2007XXXPN	Legrest actuator spindle	Bielle vérin jambier	
10	1	RON-M6ZN	Plain washer Ø6	Rondelle plate M Ø6	
11	1	ECR-HFR6ZN	Prevailing torque type hexagon nut M6	Ecrou frein M6	
12	4	C0216XXXFO	Nut cap M10	Cache écrou M10	
13	4	ECR-HFR10ZN	Prevailing torque type hexagon nut M10	Ecrou frein M10	
14	4	RON-M10ZN	Plain washer Ø10	Rondelle plate M Ø10	
15	10	L0007100FO	Collar bearing Ø10xØ12x7 mm	Coussinet à collerette Ø10xØ12x7 mm	
16	1	O2083XXXZN	Axle n°4	Axe n°4	
17	2	O2084XXXZN	Axle n°3	Axe n°3	
18	1	O2001RXXPN	Right lower tube	Tube inférieur droit	
19	1	O2010XXXFO	Seat anti pinching	Anti pincement assise	
20	1	O2004XXXPN	Seat lower arm	Bras inférieur assise	
21	1	O2001LXXPN	Left lower tube	Tube inférieur gauche	
22	1	O5003XXXAI	Switch collar	Collier support switch	
23	2	RON-M3ZN	Plain washer Ø3	Rondelle plate M Ø3	
24	2	VIS-CHC3X16ZN	Hexagon socket head cap screw M3x16	Vis tête cylindrique M3x16 six pans creux	
25	1	VIS-CHC5X20ZN	Hexagon socket head cap screw M5x20	Vis tête cylindrique M5x20 six pans creux	
26	1	O5001XXXPN	Switch stop	Butée switch	

KIT UNITRACK FOR SEAT DEPTH 41CM



KIT UNITRACK FOR SEAT DEPTH 43 TO 53CM



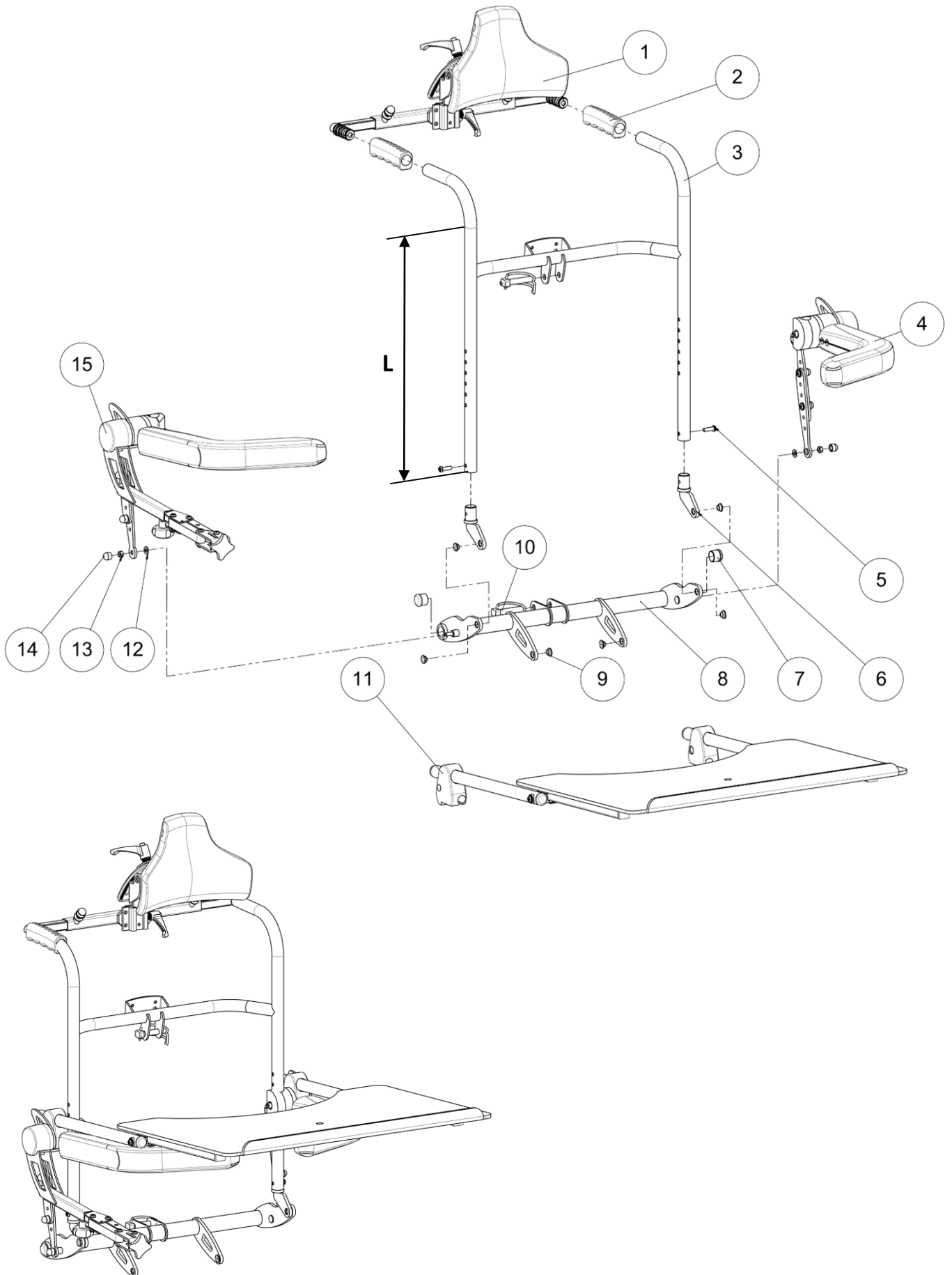
Kit UNITRACK for seat depth 41 cm

Pos	Qty	Stock Code	Description En	Description Fr	Remark
1	4	315427	Plastic plug 11x40 mm	Bouchon plastique 11x40 mm	
2	2	321235	Bracket adjustment LSCO	Rail UNITRACK Lg250 mm	
3	4	VIS-CHC6X25ZN	Hexagon socket head cap screw M6x25	Vis tête cylindrique M6x25 six pans creux	
4	2	VIS-CHC6X35ZN	Hexagon socket head cap screw M6x35	Vis tête cylindrique M6x35 six pans creux	
5	2	RON-M6ZN	Plain washer Ø6	Rondelle plate M Ø6	
6	2	ECR-HFR6ZN	Prevailing torque type hexagon nut M6	Ecrou frein M6	
7	1	321467	Kit UNITRACK for LSCO seat depth 41cm (pair)	Kit rail UNITRACK LSCO profondeur 41cm (paire)	

Kit UNITRACK for seat depth 43 to 53 cm

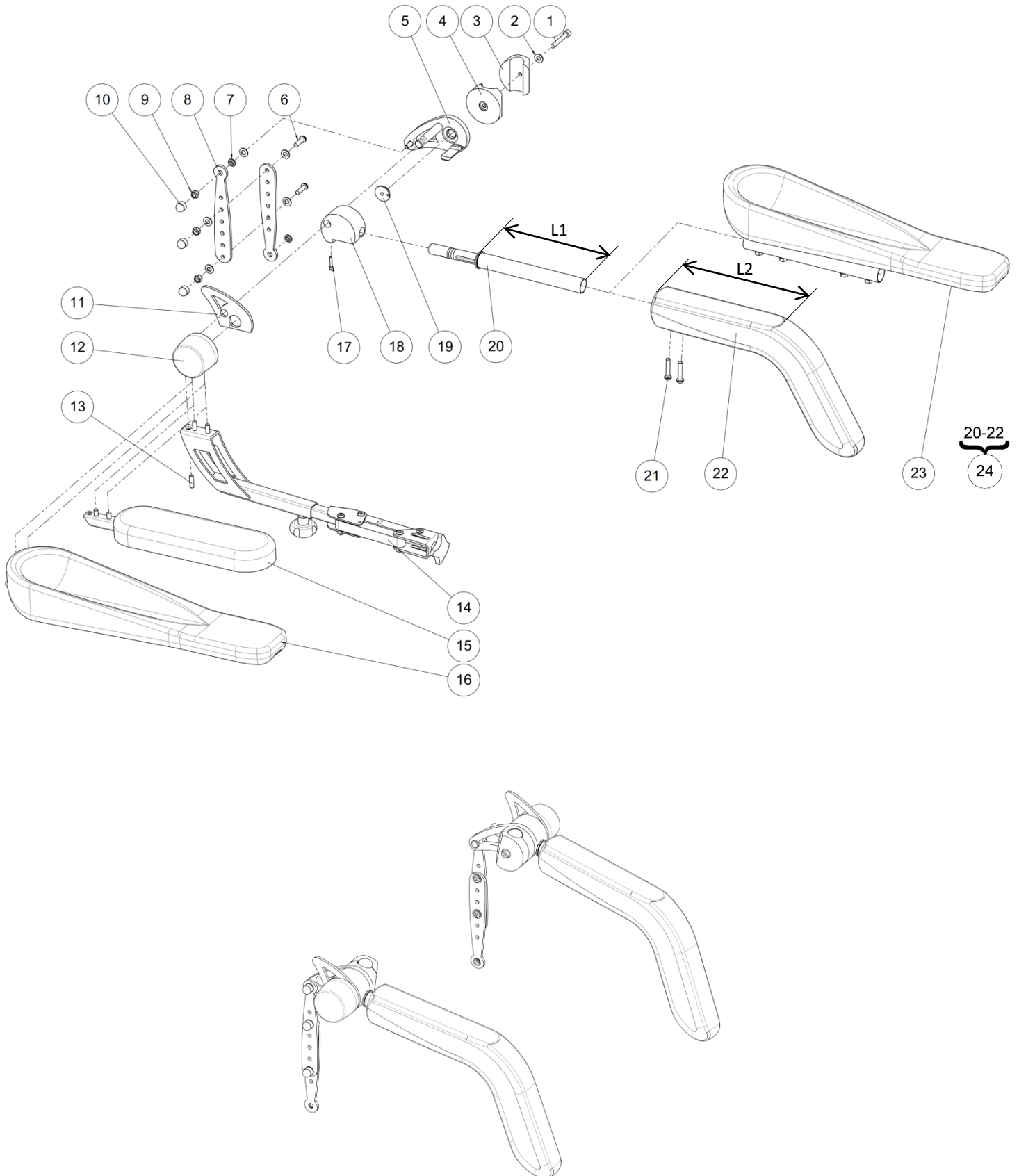
Pos	Qty	Stock Code	Description En	Description Fr	Remark
8	4	315427	Plastic plug 11x40 mm	Bouchon plastique 11x40 mm	
9	2	VIS-CHC6X25ZN	Hexagon socket head cap screw M6x25	Vis tête cylindrique M6x25 six pans creux	
10	2	321235	Bracket adjustment LSCO	Rail UNITRACK Lg250 mm	
11	4	VIS-CHC6X35ZN	Hexagon socket head cap screw M6x35	Vis tête cylindrique M6x35 six pans creux	
12	4	RON-M6ZN	Plain washer Ø6	Rondelle plate M Ø6	
13	4	ECR-HFR6ZN	Prevailing torque type hexagon nut M6	Ecrou frein M6	
14	1	321505	Kit UNITRACK for LSCO seat depth 43 cm to 53 cm (pair)	Kit rail UNITRACK LSCO profondeur 43 cm à 53 cm (paire)	

Backrest assembly



Backrest assembly

Backrest assembly					
Pos	Qty	Stock Code	Description En	Description Fr	Remark
1	1		Headrest assembly	Ensemble appui tête	See exploded view p.34
2	2	L4004ERGFO	Ergonomic handle	Poignée ergonomique	
3	1	O4052X36PN	Backrest frame size 36 cm	Dossier taille 36 cm	L = 48 cm
		O4052X40PN	Backrest frame size 40 cm	Dossier taille 40 cm	L = 48 cm
		O4052X44PN	Backrest frame size 44 cm	Dossier taille 44 cm	L = 48 cm
		O4052X48PN	Backrest frame size 48 cm	Dossier taille 48 cm	L = 48 cm
		O4052C36PN	Backrest frame short size 36 cm	Dossier court taille 36 cm	L = 40 cm
		O4052C40PN	Backrest frame short size 40 cm	Dossier court taille 40 cm	L = 40 cm
		O4052C44PN	Backrest frame short size 44 cm	Dossier court taille 44 cm	L = 40 cm
		O4052C48PN	Backrest frame short size 48 cm	Dossier court taille 48 cm	L = 40 cm
4	1		Left armrest assembly	Ensemble accoudoir gauche	See exploded view p.28
5	2	VIS-CBHC6X20ZN	Hexagon socket button head screw M6x20	Vis tête bombée M6x20 six pans creux	
6	2	O4050XXXZN	Backrest pivot	Pivot dossier	
7	2	L0005221FO	Black cap for tube $\varnothing 22.1$ mm	Bouchon plastique noir pour tube $\varnothing 22.1$ mm	
8	1	O4001X36PN	Back actuator lower beam size 36 cm	Traverse inférieure taille 36 cm	
		O4001X40PN	Back actuator lower beam size 40 cm	Traverse inférieure taille 40 cm	
		O4001X44PN	Back actuator lower beam size 44 cm	Traverse inférieure taille 44 cm	
		O4001X48PN	Back actuator lower beam size 48 cm	Traverse inférieure taille 48 cm	
9	6	L0007080FO	Collar bearing $\varnothing 8 \times \varnothing 10 \times 5.5$ mm	Coussinet à collerette $\varnothing 8 \times \varnothing 10 \times 5.5$ mm	
10	2	L0013XXXFO	Half-moon pin 10x45 mm	Goupille clip demi-lune 10x45 mm	
11	1		Tray table assembly	Ensemble table de travail	See exploded view p.36
12	2	RON-M6ZN	Plain washer $\varnothing 6$	Rondelle plate M $\varnothing 6$	
13	2	ECR-HFR6ZN	Prevailing torque type hexagon nut M6	Ecrou frein M6	
14	2	C0215XXXFO	Nut cap M6	Cache écrou M6	
15	1		Right armrest assembly	Ensemble accoudoir droit	See exploded view p.28

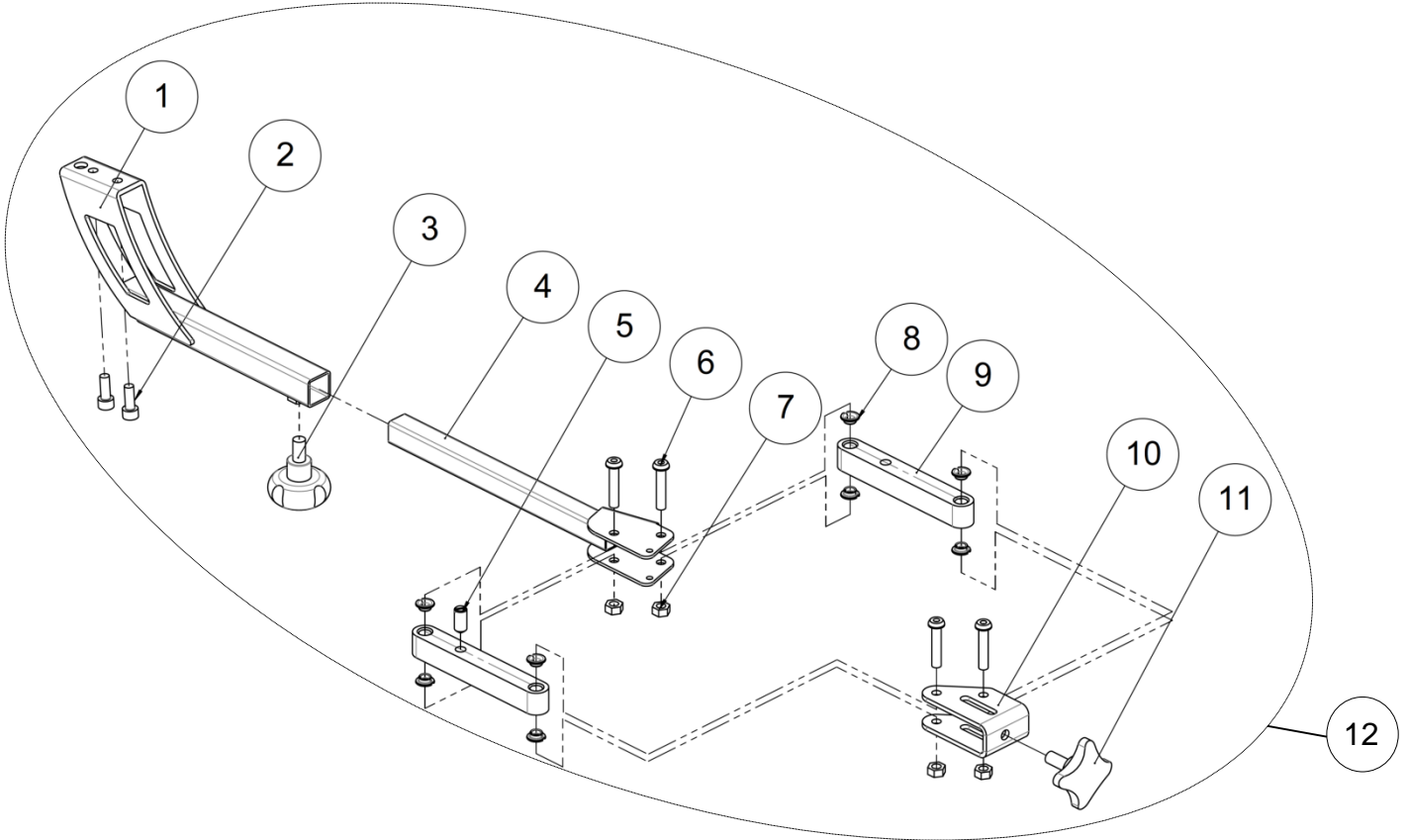


Armrests assembly					
Pos	Qty	Stock Code	Description En	Description Fr	Remark
1	2	VIS-CHC6X40ZN	Hexagon socket head cap screw M6x40	Vis tête cylindrique M6x40 six pans creux	
2	12	RON-M6ZN	Plain washer Ø6	Rondelle plate M Ø6	
3-4	2	C4051XXXAI	Electrical backrest knob	Noix pour dossier electrique	It is composed of 2 parts.
5	1	C4055RXXZN	Right adjusting lever	Levier d'indexation droit	
	1	C4055LXXZN	Left adjusting lever	Levier d'indexation gauche	
6	4	VIS-CBHC6X20ZN	Hexagon socket button head screw M6x20	Vis tête bombée M6x20 six pans creux	
7	4	L0007060FO	Collar bearing Ø6xØ8x4 mm	Coussinet à collerette Ø6xØ8x4 mm	
8	4	C4003XXXP	Adjusting part	Tirant d'indexation	
9	6	ECR-HFR6ZN	Prevailing torque type hexagon nut M6	Ecrou frein M6	
10	6	C0215XXXFO	Nut cap M6	Cache écrou M6	
11	2	C4059XXXZN	Armrest stop	Butée d'accoudoir	
12	1	C4054RXXAI	Right pantograph knob	Noix droite de pantographe	
	1	C4054LXXAI	Left pantograph knob	Noix gauche de pantographe	
13	2	VIS-HC6X20ZN	Hexagon socket set screw M6x20	Vis sans tête M6x20 six pans creux	
14	1		Pantograph assembly	Ensemble pantographe	See exploded view p.30
15	1		Additional large armrest assembly	Ensemble accoudoir supplémentaire large	See exploded view p.32
16	1		Additional drainpipe armrest assembly	Ensemble accoudoir supplémentaire gouttière	See exploded view p.32
17	2	L3044XXXFO	Knee-support locking screw M5	Vis verrou genouillère M5	
18	1	C4053RXXAI	Right armrest knob	Noix accoudoir droite indexable	If tray table use C4062RPAAI pos. 10 p.36
	1	C4053LXXAI	Left armrest knob	Noix accoudoir gauche indexable	If tray table use C4062LPAAI pos. 5 p.36
19	2	C4056XXXZN	Armrest pivot	Pivot d'accoudoir	
20	1	L4055RXXZN	Right armrest support	Support accoudoir droit	L1 ≈ 160 mm
		L4055LXXZN	Left armrest support	Support accoudoir gauche	L1 ≈ 160 mm
	1	L4055RSHZN	Right armrest support short	Support accoudoir droit court	L1 ≈ 110 mm
		L4055LSHZN	Left armrest support short	Support accoudoir gauche court	L1 ≈ 110 mm
21	4	VIS-CBHC6X30ZN	Hexagon socket button head screw M6x30	Vis tête bombée M6x30 six pans creux	
22	1	L4060XXXFO	Long armrest chest support	Accoudoir appui pectoral long	L2 ≈ 200 mm
		L4060XSHFO	Short armrest chest support	Accoudoir appui pectoral court	L2 ≈ 150 mm
23	1		Drainpipe armrest assembly	Ensemble accoudoir gouttière	See exploded view p.30
24	1	L4060STDMONTE	Kit long armrests (pair)	Kit accoudoirs long (paire)	L1 ≈ 160 mm L2 ≈ 200 mm
		L4060XSHMONTE	Kit short armrests (pair)	Kit accoudoirs court (paire)	L1 ≈ 110 mm L2 ≈ 150 mm

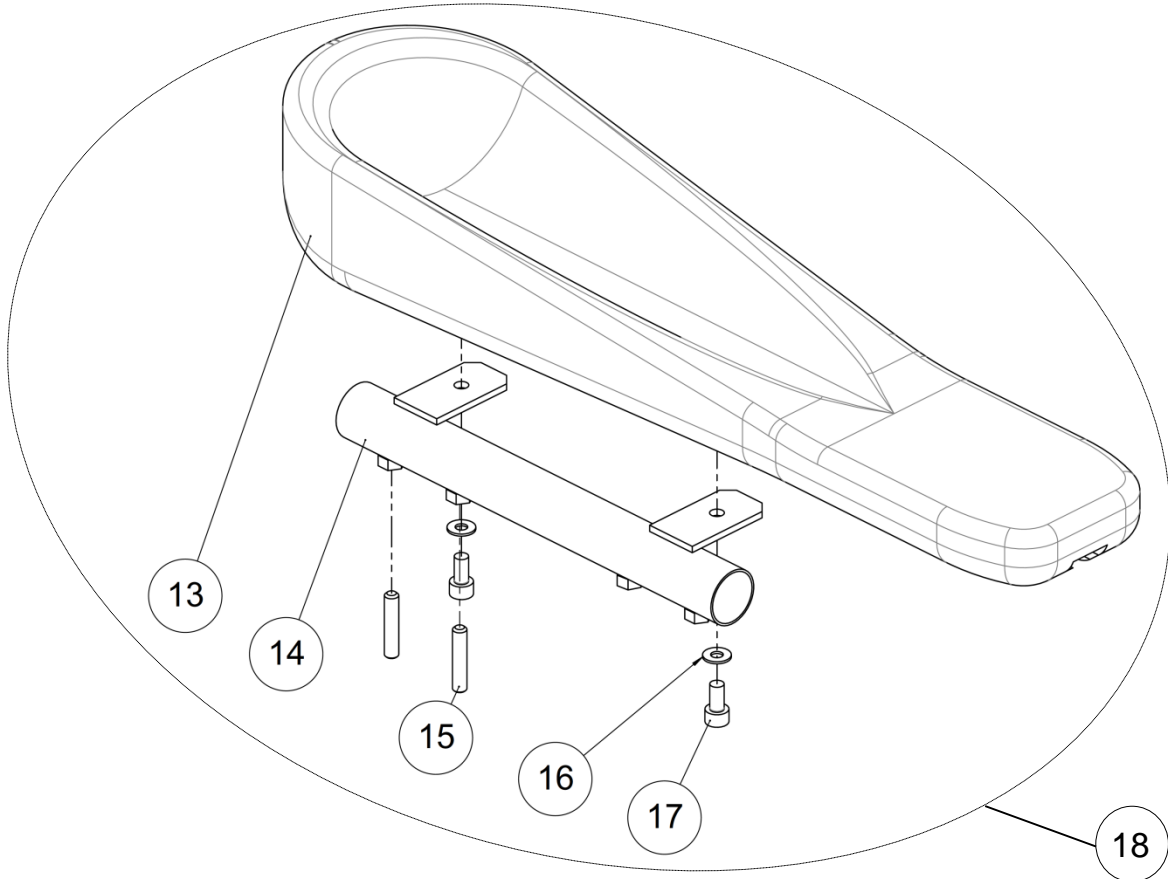
Backrest assembly

Pantograph and drainpipe armrest assembly

PANTOGRAPH ASSEMBLY



DRAINPIPE ARMREST ASSEMBLY



Backrest assembly

Pantograph and drainpipe armrest assembly

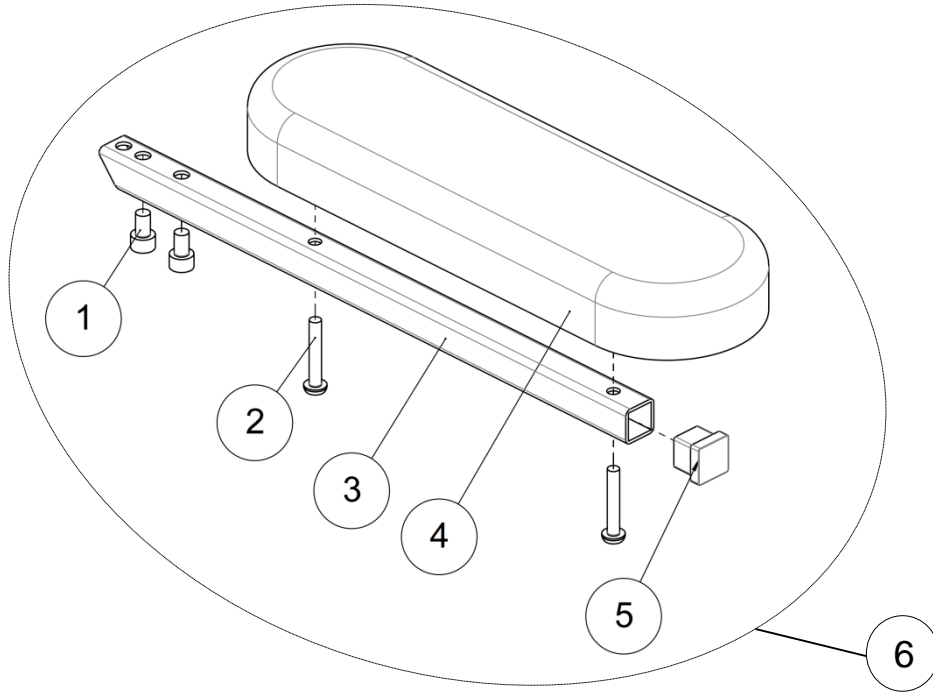
Pantograph and drainpipe armrest assembly

Pos	Qty	Stock Code	Description En	Description Fr	Remark
1	1	C4157XLGPN	Length pantograph support	Support pantographe long	
2	2	VIS-CHC6X16ZN	Hexagon socket head cap screw M6x16	Vis tête cylindrique M6x16 six pans creux	
3	1	L0026XXXFO	Adjustment knob bomba M8x15	Poignée bomba M8x15	
4	1	C4158XLGCR	Length pantograph rod	Tige de pantographe long	
5	1	C0005XXXFO	Spring pushing M8	Poussoir à ressort M8	
6	4	VIS-CBHC6X30ZN	Hexagon socket button head screw M6x30	Vis tête bombée M6x30 six pans creux	
7	4	ECR-HFR6ZN	Prevailing torque type hexagon nut M6	Ecrou frein M6	
8	8	L0007060FO	Collar bearing $\varnothing 6 \times \varnothing 8 \times 4$ mm	Coussinet à collerette $\varnothing 6 \times \varnothing 8 \times 4$ mm	
9	2	C4172XXXAI	Pantograph connecting rod	Biellette de pantographe	
10	1	C4171XXXPN	Control box bracket	Chape pantographe	
11	1	L0020XXXFO	Adjustment knob M8x20	Poignée quadro M8x20	
12	1	C4060XXXFO	Lifestand pantograph	Pantographe Lifestand	
13	1	L9075XXXFO	Ergonomic armrest large	Accoudoir gouttière grand	
14	1	L9015XXXZN	Ergonomic armrest support	Support accoudoir gouttière	
15	2	VIS-HC6X30ZN	Hexagon socket set screw M6x30	Vis sans tête M6x30 six pans creux	
16	2	RON-M5ZN	Plain washer $\varnothing 5$	Rondelle plate M $\varnothing 5$	
17	2	VIS-CHC5X12ZN	Hexagon socket head cap screw M5x12	Vis tête cylindrique M5x12 six pans creux	
18	1	L9170XXXFO	Kit drainpipe armrest (unit)	Kit accoudoir gouttière (l'unité)	

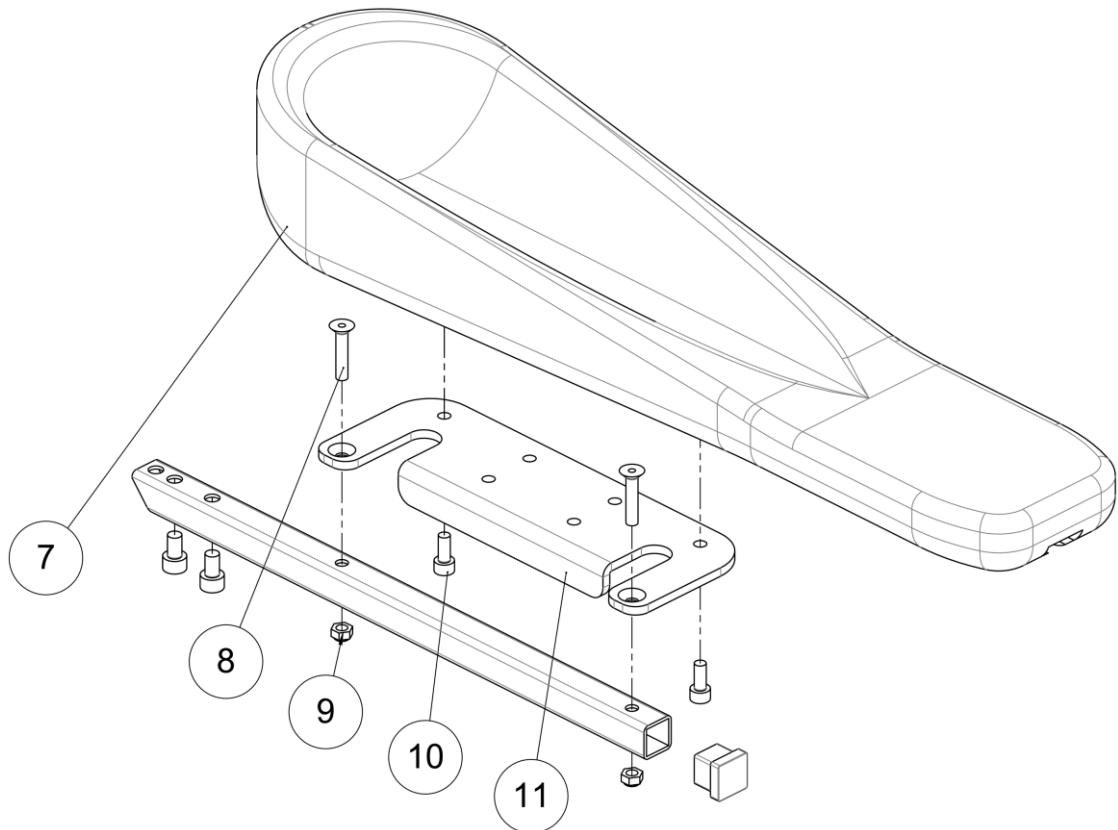
Backrest assembly

Additional armrests assembly

ADDITIONAL LARGE ARMREST ASSEMBLY

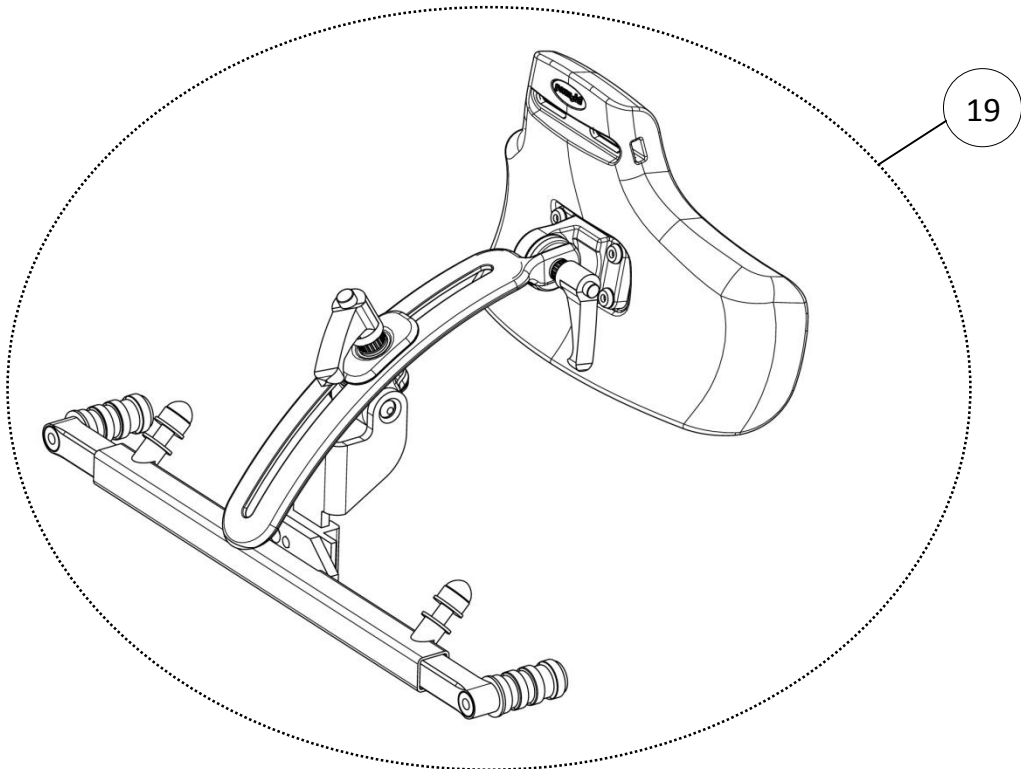
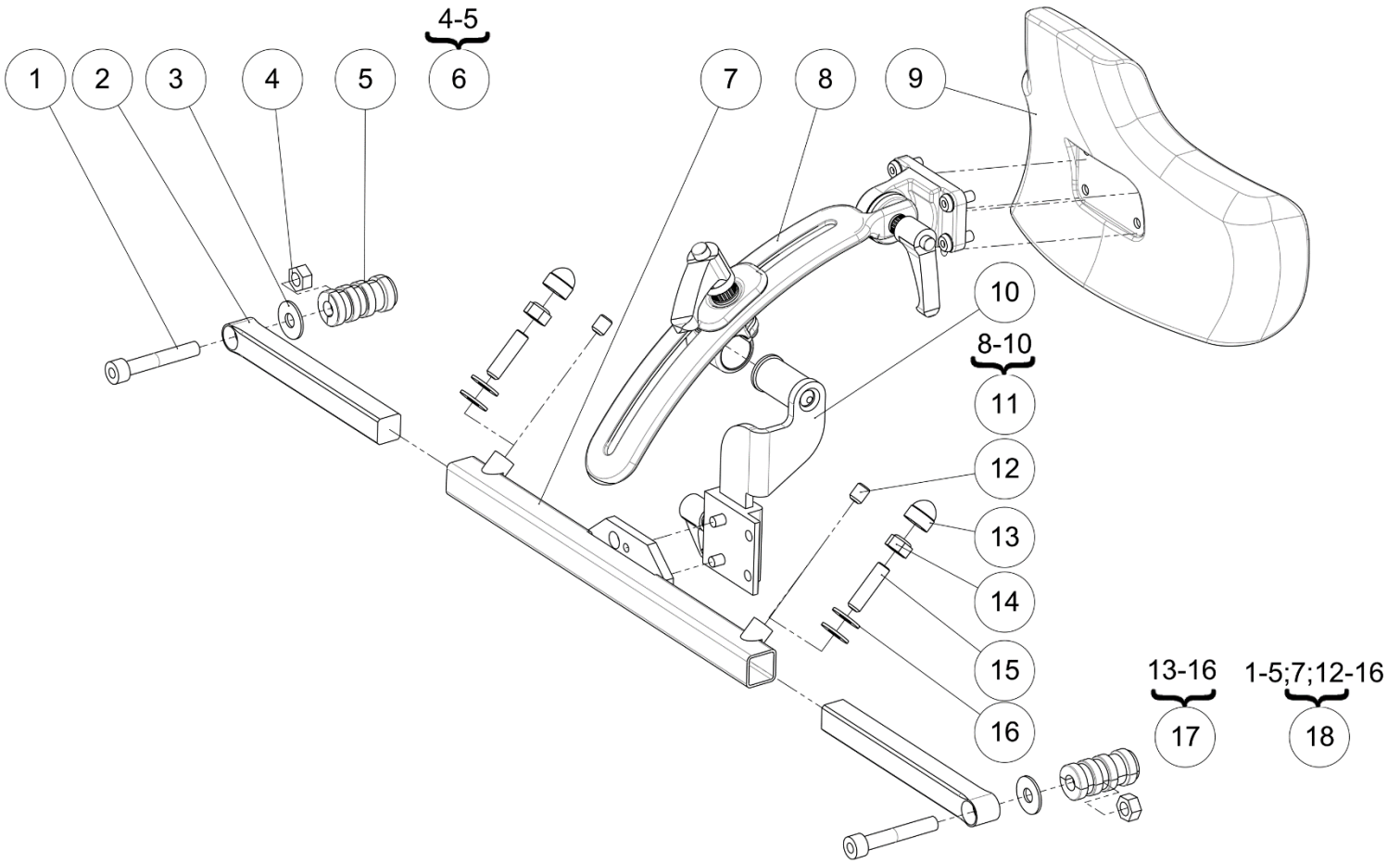


ADDITIONAL DRAINPIPE ARMREST ASSEMBLY



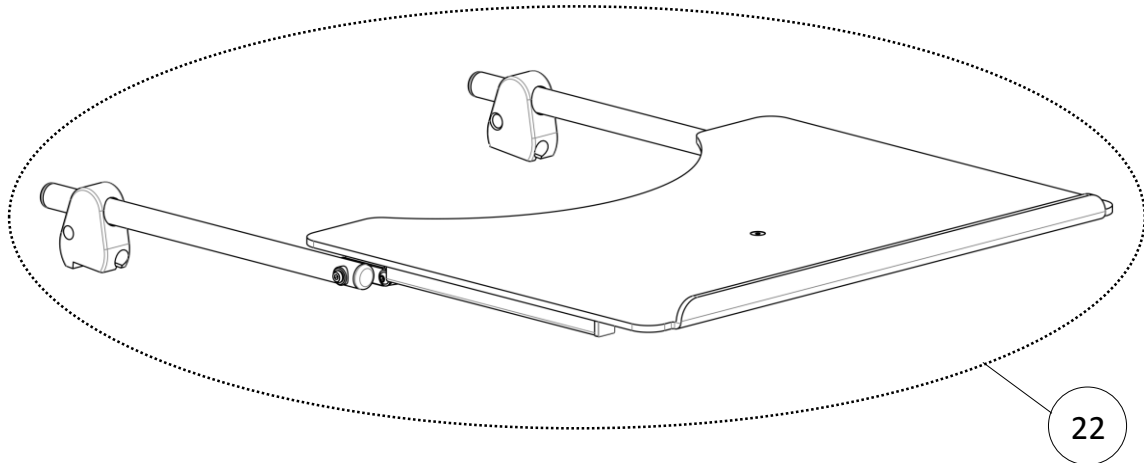
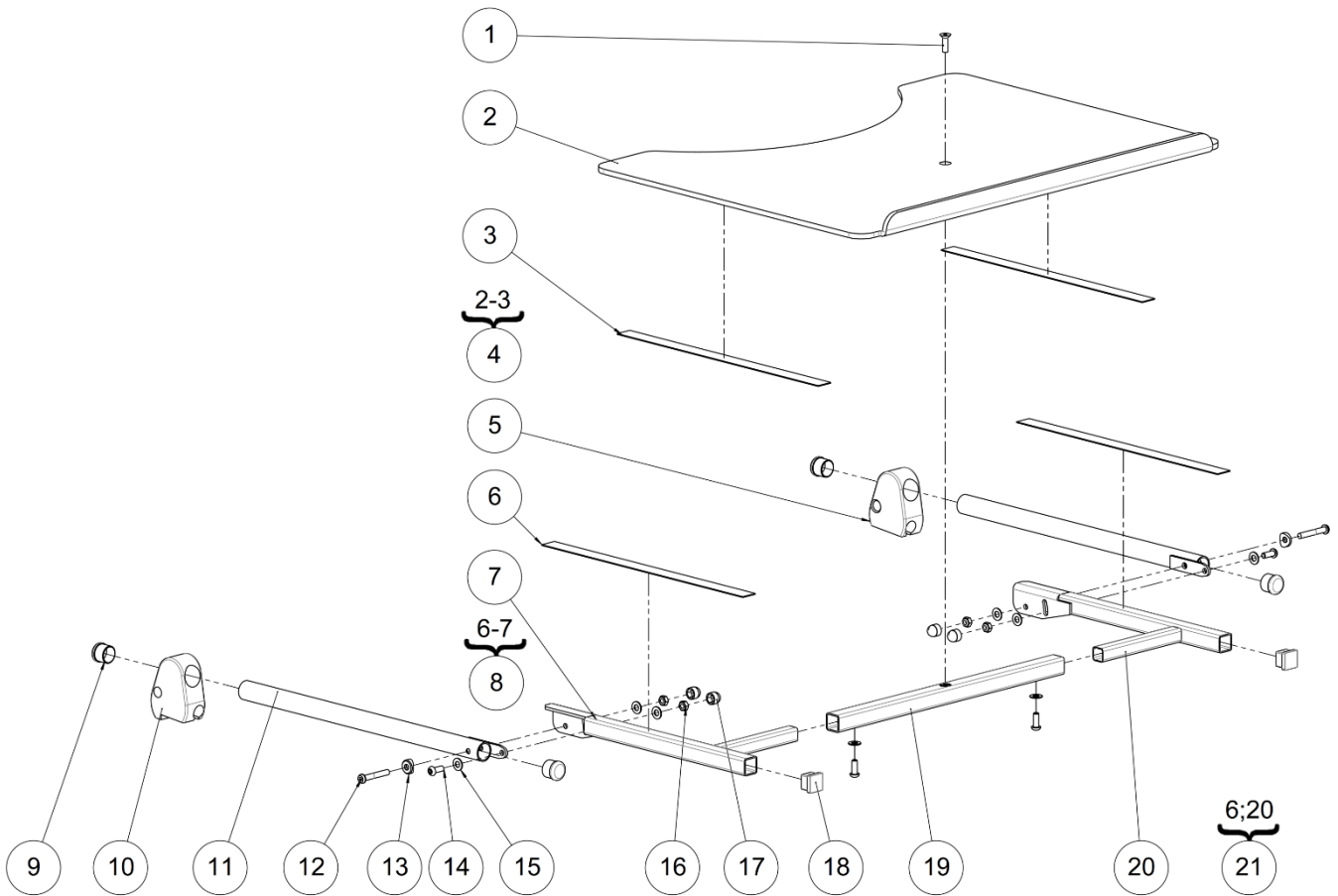
Additional armrests assembly

Pos	Qty	Stock Code	Description En	Description Fr	Remark
1	4	VIS-CHC6X16ZN	Hexagon socket head cap screw M6x16	Vis tête cylindrique M6x16 six pans creux	
2	2	VIS-CBHC5X30ZN	Hexagon socket button head screw M5x30	Vis tête bombée M5x30 six pans creux	
3	2	C4153XXXPN	Double armrest support	Support double accoudoir	
4	1	SX912XXXFO	Armrest large	Accoudoir large	
5	2	C0001XXXFO	Square black tip 16x16 mm	Embout carré 16x16 mm noir	
6	1	C9140XXXFO	Kit large armrest (unit)	Kit accoudoir supplémentaire large (l'unité)	
7	1	L9075XXXFO	Ergonomic armrest large	Accoudoir gouttière grand	
8	2	VIS-FHC5X30ZN	Hexagon socket countersunk head screw M5x30	Vis tête fraisée M5x30 six pans creux	
9	2	ECR-HFR5ZN	Prevailing torque type hexagon nut M5	Ecrou frein M5	
10	2	VIS-CHC5X12ZN	Hexagon socket head cap screw M5x12	Vis tête cylindrique M5x12 six pans creux	
11	1	320749	Armrest plate	Support accoudoir double	



Headrest assembly

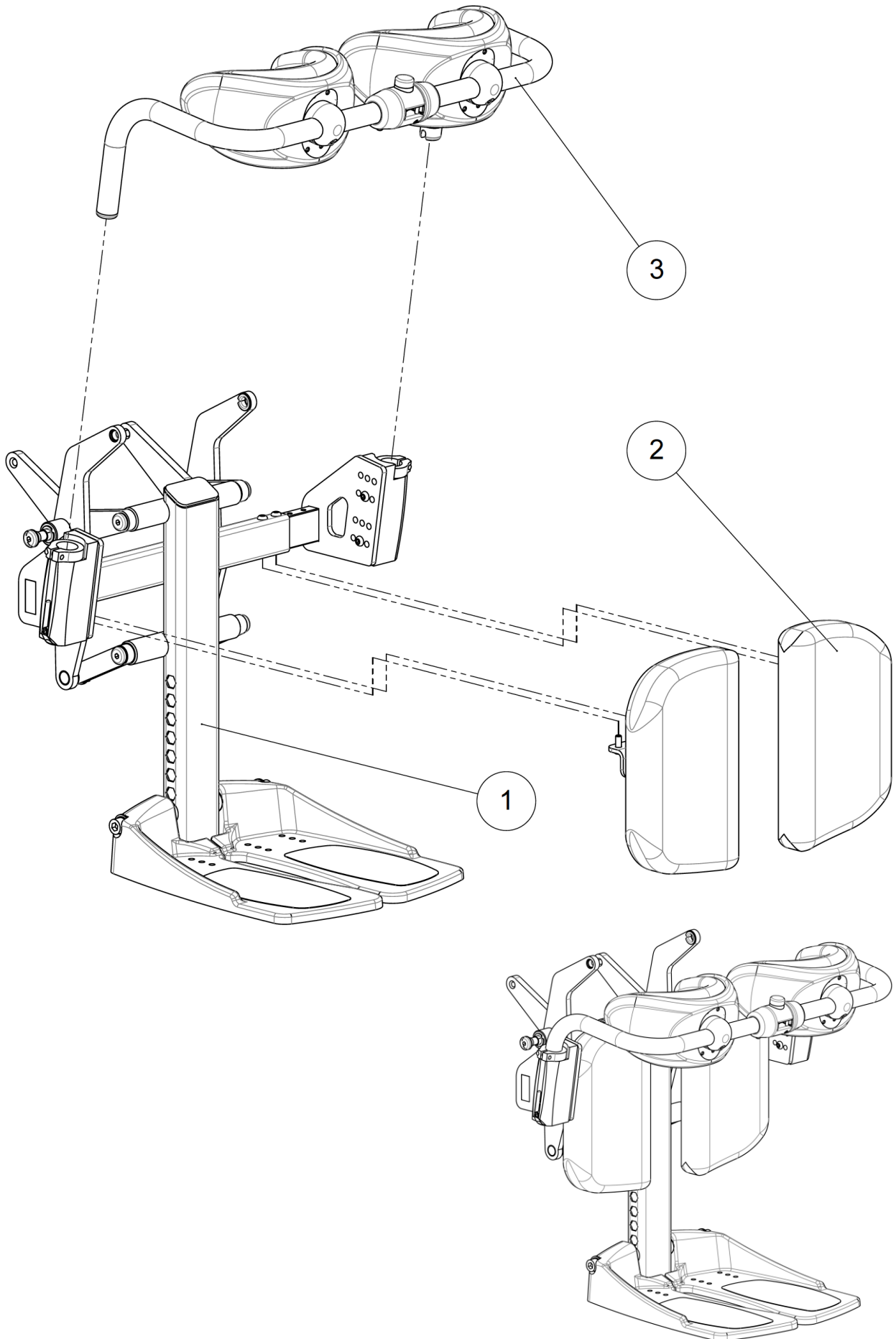
Pos	Qty	Stock Code	Description En	Description Fr	Remark
1	2	VIS-CHC8X50ZN	Hexagon socket head cap screw M8x50	Vis tête cylindrique M8x50 six pans creux	
2	2	L9037XXXAI	Adjustment rod	Barre réglage appui-tête	
3	2	RON-LL8ZN	Fender washer Ø8	Rondelle plate LL Ø8	
4	2	ECR-H8ZN	Hexagon nut M8	Ecrou M8	
5	2		Casing Ø20	Douille expansive Ø20	NOT FOR SALE L9038XXXFO
6	2	322865	Kit casing	Kit douille expansive	For one side
7	1	L9039XXXPN	Headrest crossbar	Traverse appui-tête universelle	
8	1	P1823234	Head support bracket	Fixation appui-tête	
9	1	P1822868	Headrest cushion	Coussin appui-tête	
10	1	P1823235	Head support bracket backrest	Fixation appui-tête dossier	
11	1	322866	Kit headrest	Kit appui-tête	
12	2	VIS-HC8X10ZN	Hexagon socket set screw M8x10	Vis sans tête M8x10 six pans creux	
13	2	C0214XXXFO	Nut cap M8	Cache écrou M8	
14	2	ECR-HFR8ZN	Prevailing torque type hexagon nut M8	Ecrou frein M8	
15	2	VIS-HC8X30ZN	Hexagon socket set screw M8x30	Vis sans tête M8x30 six pans creux	
16	4	RON-M8ZN	Plain washer Ø8	Rondelle plate M Ø8	
17	1	L9026XXXFO	Kit harness fixation (pair)	Kit fixation harnais (paire)	
18	1	L9029XXXFO	Kit headrest support and harness fixation	Kit support appui-tête et fixation harnais	
19	1	L9028XXXFO	Kit headrest	Kit appui-tête	



Tray table assembly

Pos	Qty	Stock Code	Description En	Description Fr	Remark
1	1	VIS-FHC6X20ZN	Hexagon socket countersunk head screw M6x20	Vis tête fraisée M6x20 six pans creux	
2	1		Tray table	Tablette	NOT FOR SALE L9001XXXFO
3	0.032		Black Velcro strap sticker 2 cm-0.7" hook 20m long	Velcro adhésif crochet noir 2 cm -20m de long	NOT FOR SALE L6050CROFO
4	1	322945	Kit tray table + Velcro	Kit tablette + Velcro	Specify wheelchair width
5	1	C4062LPAAI	Left armrest knob for tray table	Noix accoudoir gauche pour tablette	
6	0.032		Black Velcro strap sticker 2 cm-0.7" velvet 20 m long	Velcro adhésif velours noir 2 cm -20 m de long	NOT FOR SALE L6050VELFO
7	1		Right support tube tray	Tube appui tablette droit	NOT FOR SALE L9002RXXCR
8	1	322943	Kit support tube + Velcro right	Kit tube support + Velcro droit	
9	4	L0005221FO	Black cap for tube Ø22.1 mm	Bouchon plastique noir pour tube Ø22.1 mm	
10	1	C4062RPAAI	Right armrest knob for tray table	Noix accoudoir droit pour tablette	
11	2	L9003XXXCR	Depth adjustment tube	Tube de réglage	
12	2	VIS-CBHC6X40ZN	Hexagon socket button head screw M6x40	Vis tête bombée M6x40 six pans creux	
13	2	L0002221AI	Concave washer for tube Ø22.1 mm	Coupelle pour tube Ø22.1 mm	
14	4	VIS-CBHC6X16ZN	Hexagon socket button head screw M6x16	Vis tête bombée M6x16 six pans creux	
15	8	RON-M6ZN	Plain washer Ø6	Rondelle plate M Ø6	
16	4	ECR-HFR6ZN	Prevailing torque type hexagon nut M6	Ecrou frein M6	
17	4	C0215XXXFO	Nut cap M6	Cache écrou M6	
18	2	L0002020FO	Black cap for tube 20x20 mm	Bouchon plastique noir 20x20 mm	
19	1	L9004XXPN	Tray support joint tube	Traverse sous tablette	
20	1		Left support tube tray	Tube appui tablette gauche	NOT FOR SALE L9002LXXCR
21	1	322944	Kit support tube + Velcro left	Kit tube support + Velcro gauche	
22	1	C9000XXXFO	Kit complete tray table set	Kit complet tablette	Specify wheelchair width

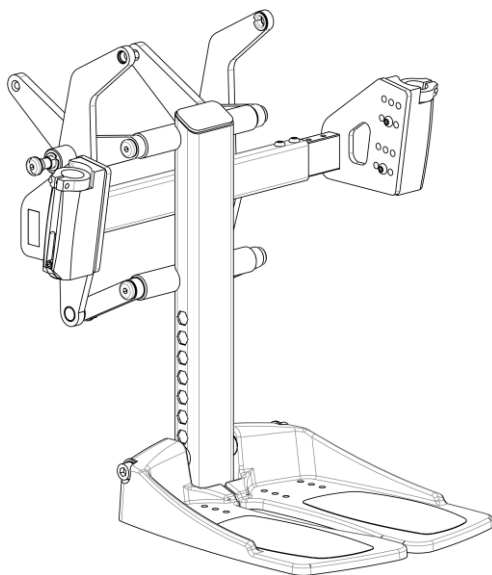
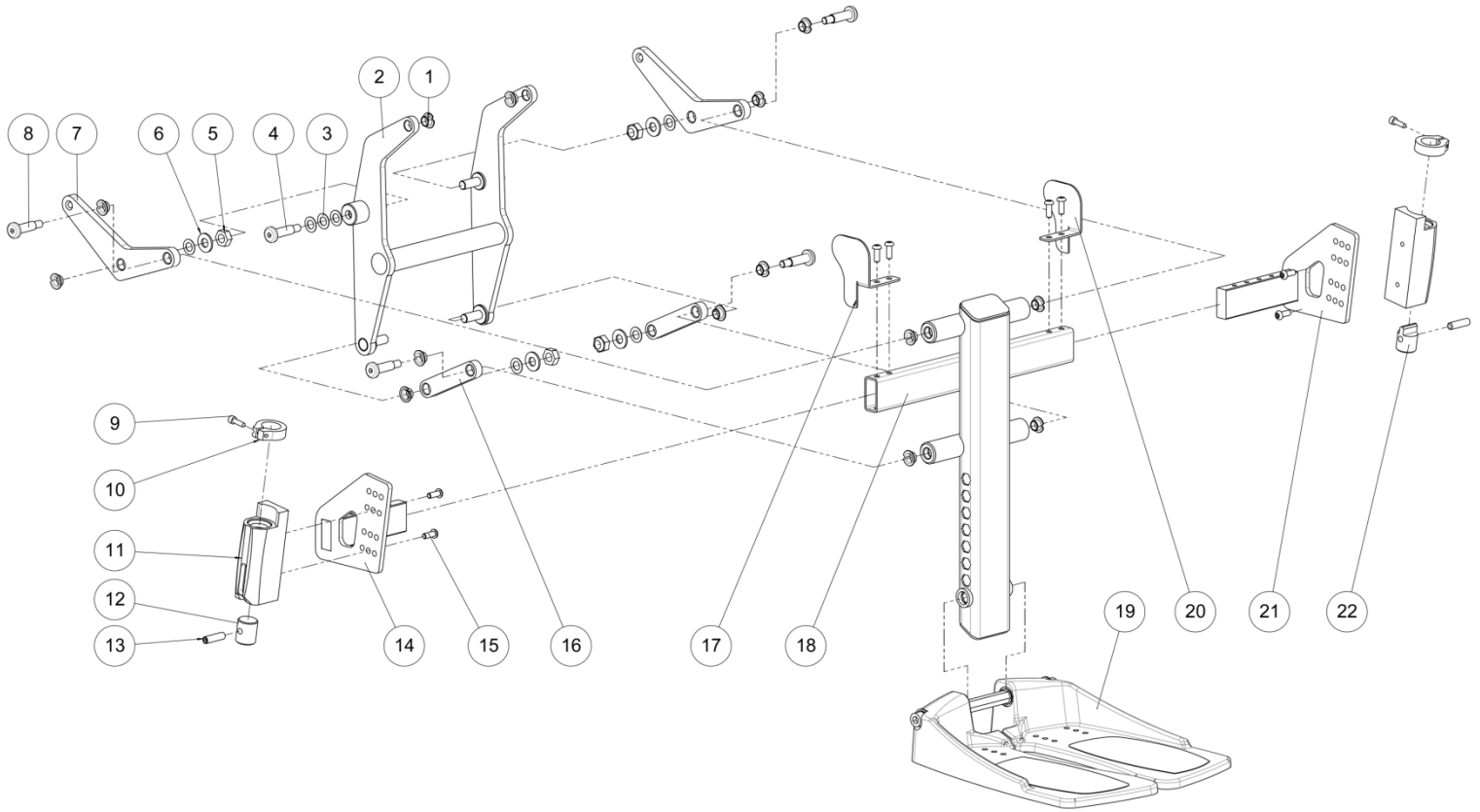
Legrest frame assembly



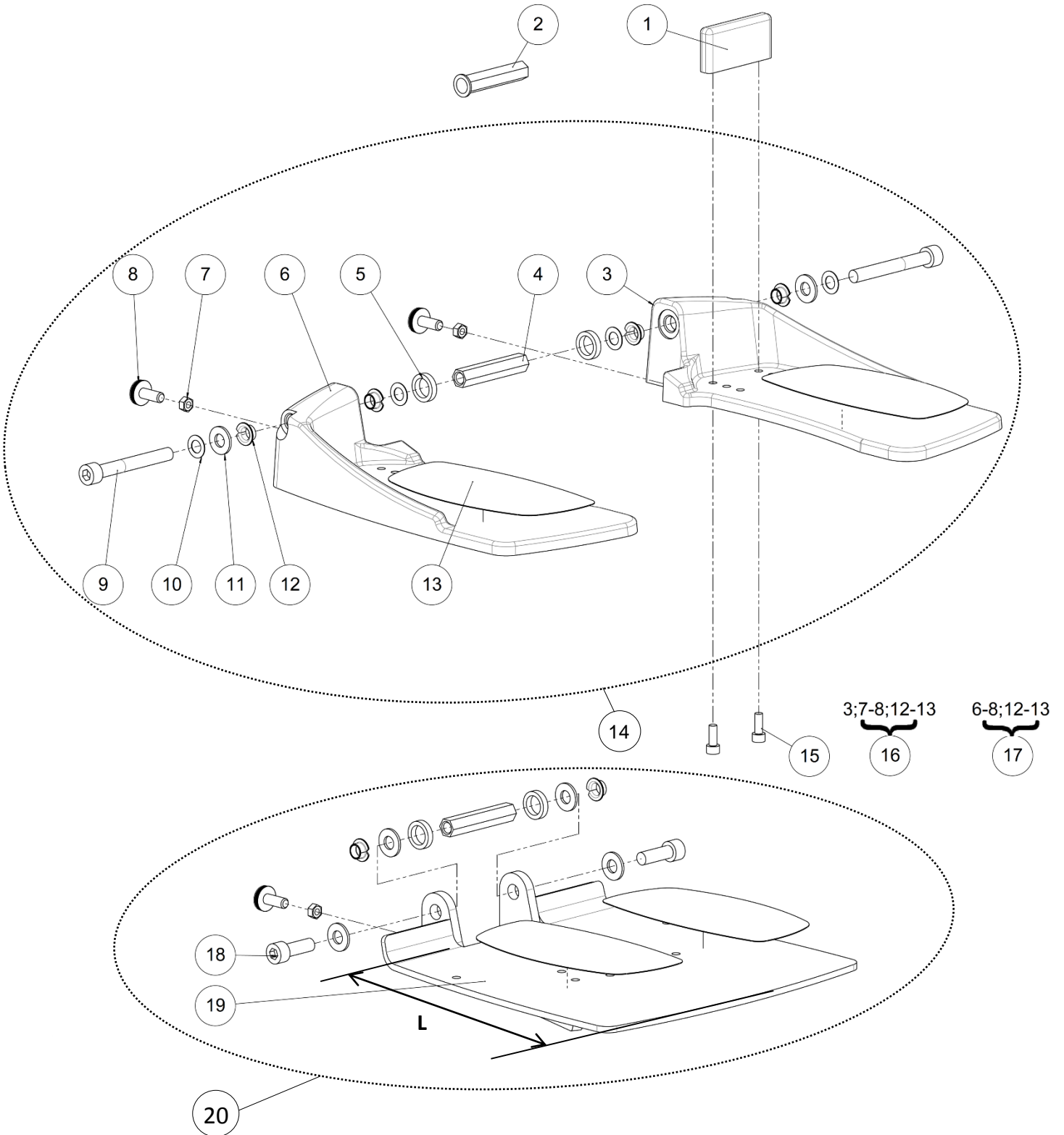
Legrest frame assembly

Legrest frame assembly

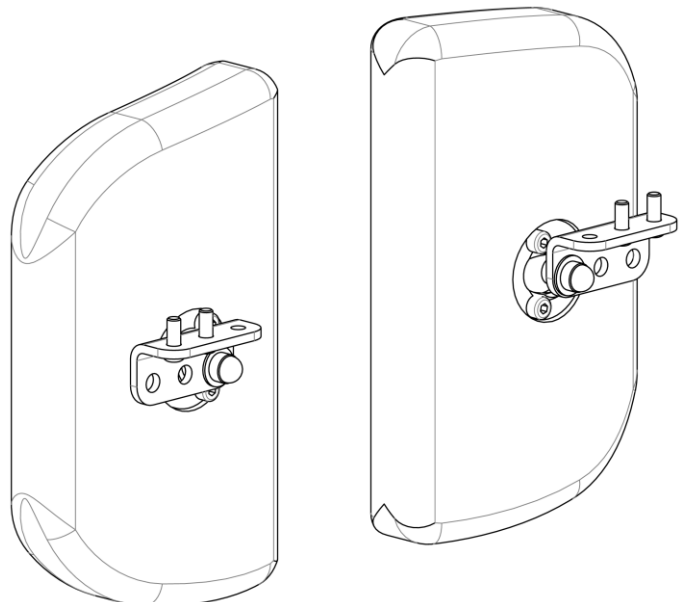
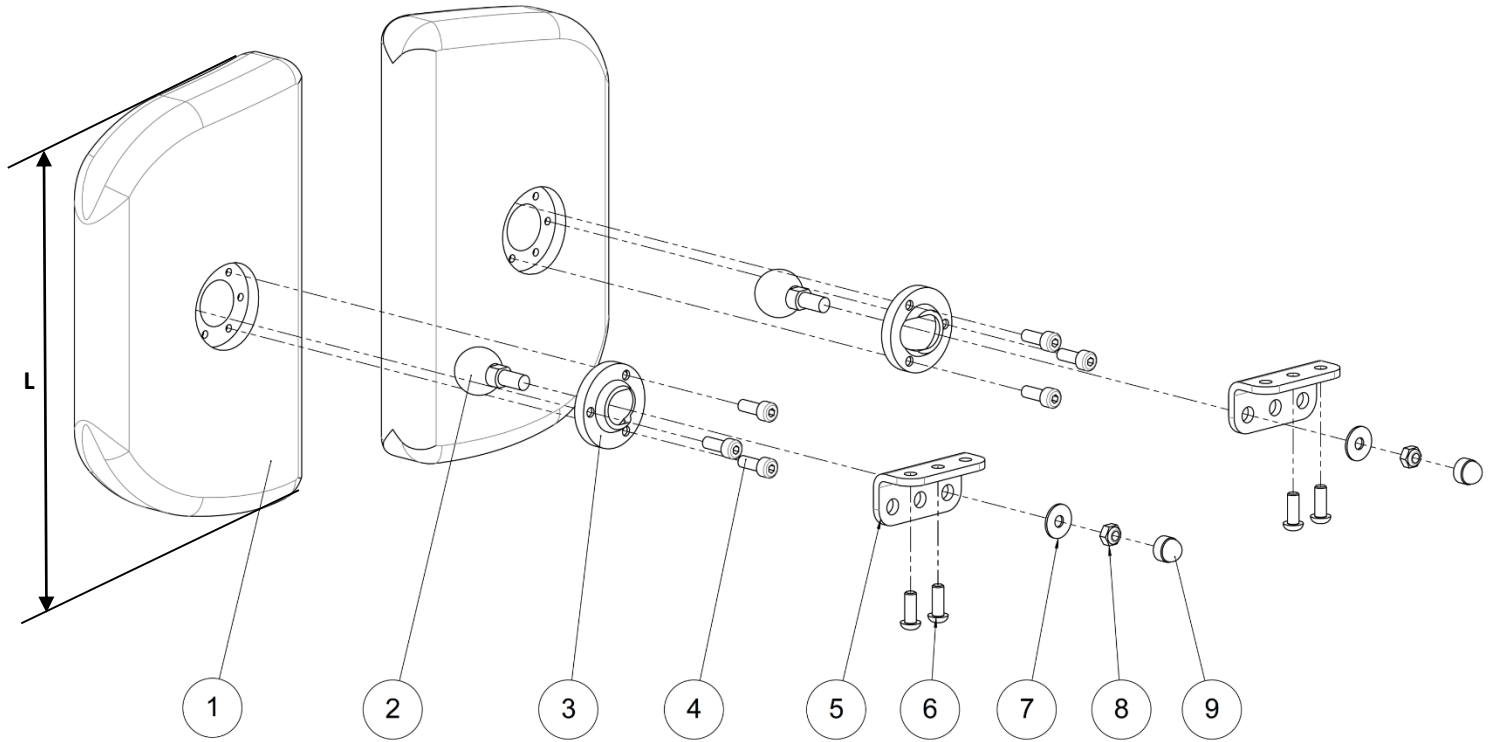
Pos	Qty	Stock Code	Description En	Description Fr	Remark
1	1		Legrest assembly	Ensemble jambier	See exploded view p.40
2	1		Calfrest assembly	Ensemble support mollet	See exploded view p.44
3	1		Knee support assembly	Ensemble genouillère	See exploded view p.46



Legrest assembly					
Pos	Qty	Stock Code	Description En	Description Fr	Remark
1	14	L0007100FO	Collar bearing Ø10xØ12x7 mm	Coussinet à collerette Ø10xØ12x7 mm	
2	1	O3002XXXPN	Legrest swivel lever	Balancier jambier	
3	7	RON-Z10FINEPLAS	Nylon washer Ø10.2x Ø18x0.5 mm	Rondelle plate nylon Ø10.2xØ18x0.5 mm	
4	1	O2087XXXZN	Axle n°10	Axe n°10	
5	4	ECR-HFR10ZN	Prevailing torque type hexagon nut M10	Ecrou frein M10	
6	4	RON-M10ZN	Plain washer Ø10	Rondelle plate M Ø10	
7	2	O3005XXXZN	Connecting rod	Bielle	
8	4	O3080XXXZN	Axle n°7	Axe n°7	
9	2	VIS-CHC5X16ZN	Hexagon socket head cap screw M5x16	Vis tête cylindrique M5x16 six pans creux	
10	2	O3141XXXAI	Anti-rotate ring	Bague anti-rotation	
11	2	O3140XXXAI	Kneepad sleeve	Fourreau genouillère	
12	1	C3007XXXZN	Knee support stopper	Butée de genouillère	
13	2	VIS-HC8X30ZN	Hexagon socket set screw M8x30	Vis sans tête M8x30 six pans creux	
14	1	O3003RXXPN	Right kneerest holder	Support droit genouillère	
15	8	VIS-CBHC6X16N	Hexagon socket button head screw M6x16 black	Vis tête bombée M6x16 six pans creux noire	
16	2	O3004XXXAI	Connecting rod n°3	Bielle n°3	
17	1	O2011XXXFO	Right legrest antipinching	Anti pincement jambier droit	
18	1	O3001XXXPN	Legrest beam	Poutre jambier	
19	1		Footplate assembly	Ensemble palette	See exploded view p.42
20	1	O2012XXXFO	Left legrest antipinching	Anti pincement jambier gauche	
21	1	O3003LXXPN	Left kneerest holder	Support gauche genouillère	
22	1	C3006XXXZN	Knee support locking	Blocage de genouillère	



Footplate assembly					
Pos	Qty	Stock Code	Description En	Description Fr	Remark
1	0-2	C3110XXXFO	Fix heel	Cale talon	NC with monobloc footplates
2	0-2	C3109XXXZN	Height shifted footplate	Axe palette hauteur décalée	Use only with a shifted footplate
3	1		Footplate flip up left	Palette relevable gauche	NOT FOR SALE C3105LXXPN
4	0-1	C3108XXXZN	Axle mono-footrest	Axe de palette monobloc	
5	2	C3107XXXZN	Footrest spacer	Entretoise de palette	
6	1		Footplate flip up right	Palette relevable droite	NOT FOR SALE C3105RXXPN
7	2	ECR-HM8ZN	Hexagon thin nut M8	Ecrou bas M8	
8	2	C0006XXXFO	Knurled base screw M8x20	Vis embase moletée M8x20	
9	2	VIS-CHC10X80ZN	Hexagon socket head cap screw M10x80	Vis tête cylindrique M10x80 six pans creux	
10	4	RON-Z10FINEPLAS	Nylon washer $\varnothing 10.2 \times \varnothing 18 \times 0.5$ mm	Rondelle plate nylon $\varnothing 10.2 \times \varnothing 18 \times 0.5$ mm	
11	2	RON-M10ZN	Plain washer $\varnothing 10$	Rondelle plate M $\varnothing 10$	
12	4	L0007100FO	Collar bearing $\varnothing 10 \times \varnothing 12 \times 7$ mm	Coussinet à collerette $\varnothing 10 \times \varnothing 12 \times 7$ mm	
13	2	F0030XXXFO	Anti skid sticker	Anti dérapant prédécoupé	
14	0-4	VIS-CHC6X16ZN	Hexagon socket head cap screw M6x16	Vis tête cylindrique M6x16 six pans creux	
15	1	C3120XXXFO	Kit dual footrest	Kit repose pied bi-palette	With the same footplates height
16	1	325485	Kit footplate left	Kit repose pied gauche	
17	1	325484	Kit footplate right	Kit repose pied droit	
18	2	VIS-CHC10X30ZN	Hexagon socket head cap screw M10x30	Vis tête cylindrique M10x30 six pans creux	
19	1	C3105XSHPN	Monobloc footplate flip up short	Palette monobloc relevable courte	L \approx 195 mm
		C3105XXXPN	Monobloc footplate flip up standard	Palette monobloc relevable standard	L \approx 260 mm
20	1	C3121XXXFO	Kit monobloc footplate flip up standard	Kit palette monobloc relevable standard	L \approx 260 mm
		C3123XXXFO	Kit monobloc footplate flip up short	Kit palette monobloc relevable court	L \approx 195 mm

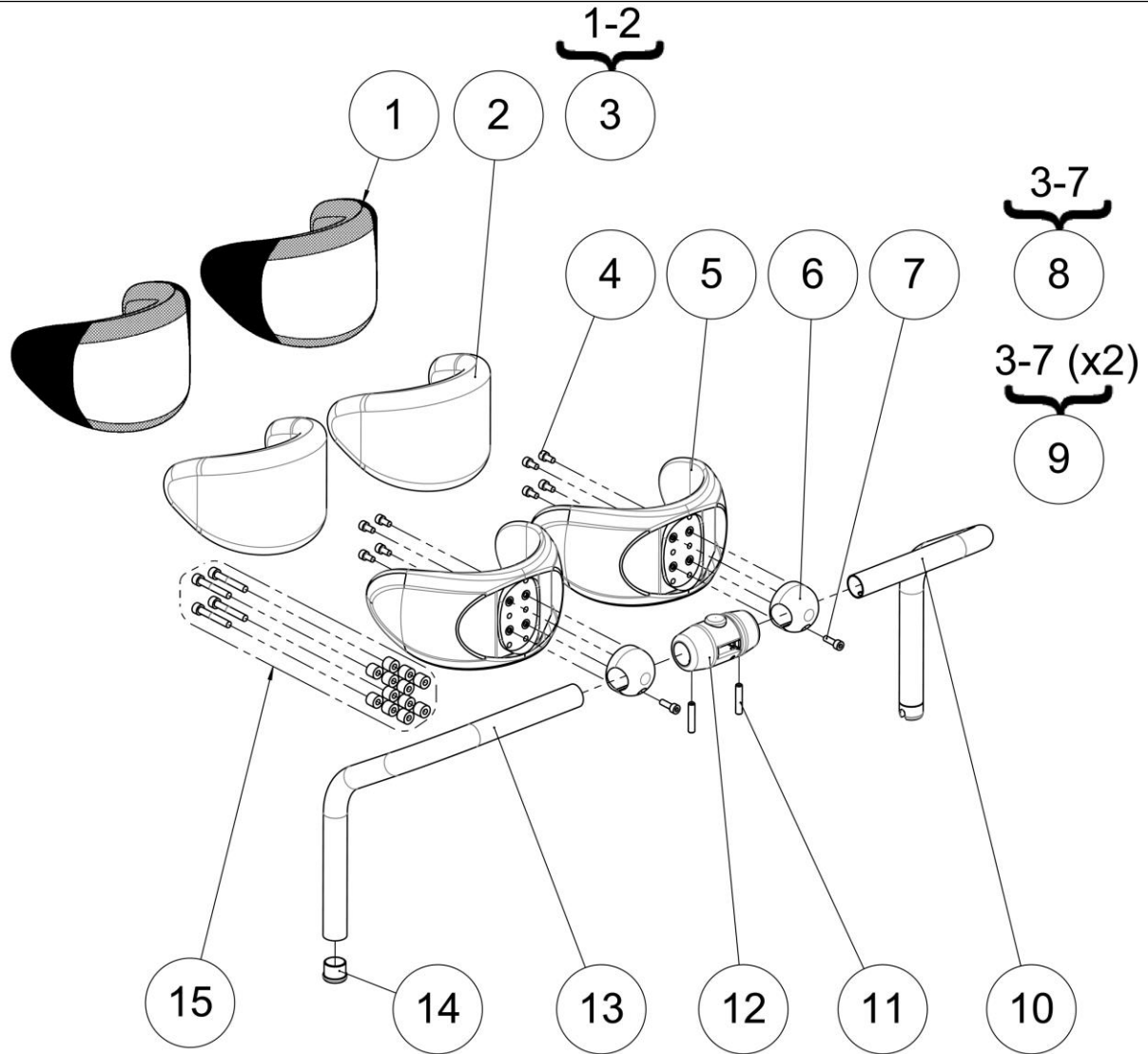


Legrest frame assembly

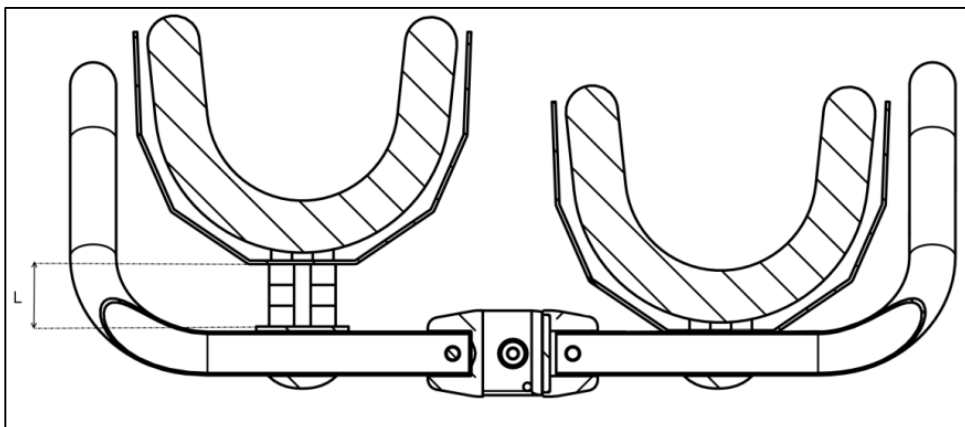
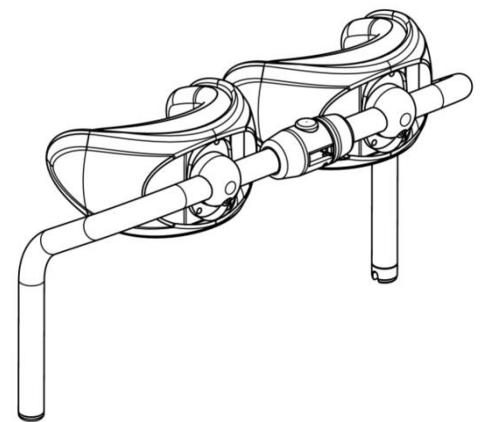
Calfrest assembly

Calfrest assembly

Pos	Qty	Stock Code	Description En	Description Fr	Remark
1	2	MP450XXXFO	Calfpad S	Appui mollet S	L ≈ 165 mm
		MP449XXXFO	Calfpad M	Appui mollet M	L ≈ 205 mm
2	2	MP314XXXZN	Ball joint fixation calfpad	Rotule fixation coussin mollet	
3	2	MP435XXXFO	Support ball joint	Support rotule	
4	6	VIS-CHC5X20ZN	Hexagon socket head cap screw M5x20	Vis tête cylindrique M5x20 six pans creux	
5	2	O3010XXXPN	Calfpad holder	Support appui mollet	
6	4	VIS-CBHC6X16N	Hexagon socket button head screw M6x16 black	Vis tête cylindrique M6x16 six pans creux noire	
7	2	RON-M8ZN	Plain washer Ø8	Rondelle plate M Ø8	
8	2	ECR-HFR8ZN	Prevailing torque type hexagon nut M8	Ecrou frein M8	
9	2	C0214XXXFO	Nut cap M8	Cache écrou M8	



- The kit **322896** contains all screws and spacers for every spacing configuration.

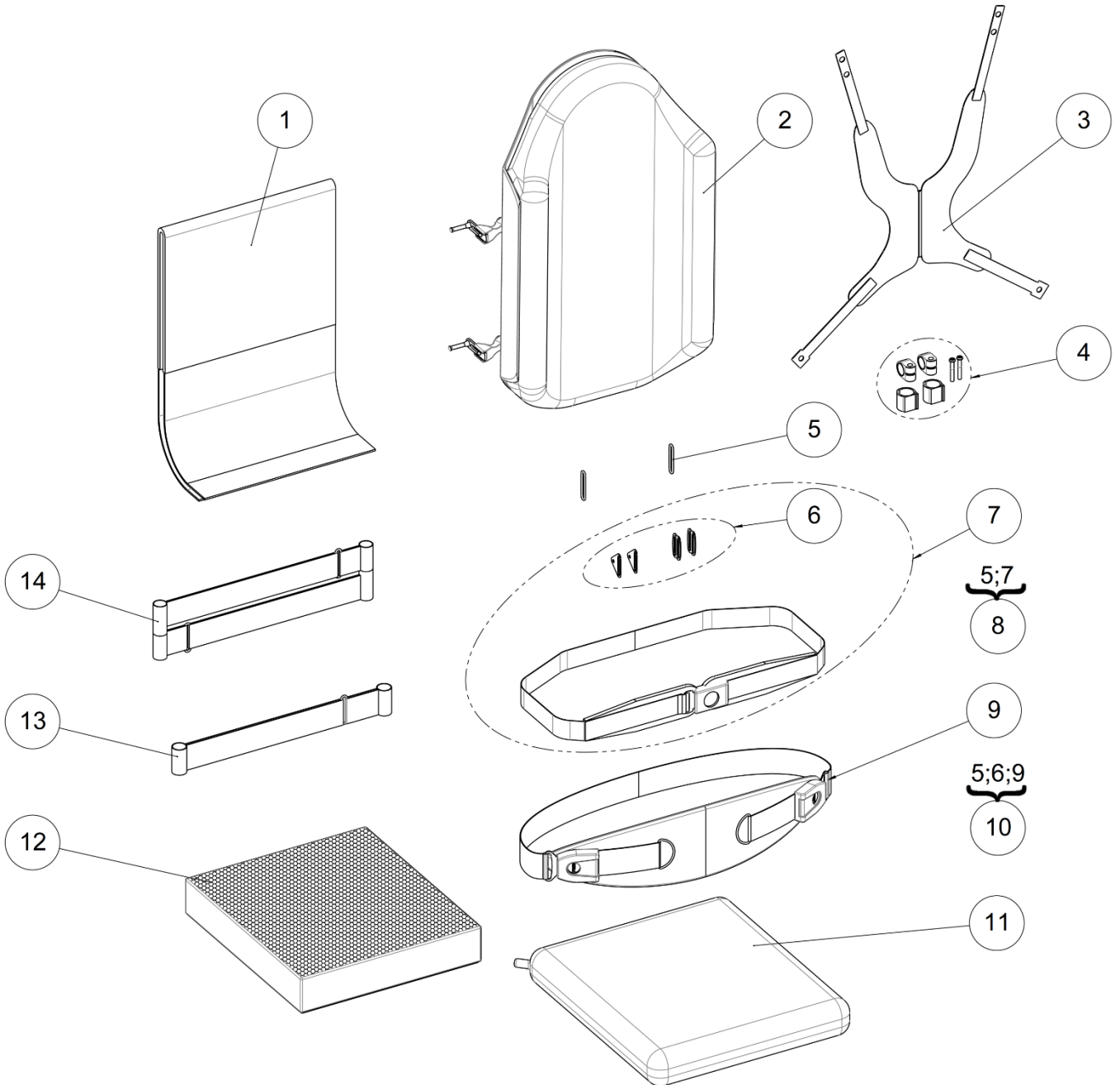


Knee support assembly

Pos	Qty	Stock Code	Description En	Description Fr	Remark
1	2	L3016XXXFO	Cover for confort kneepad	House de genouillère	
2	2	L3017XXXFO	Foam for confort kneepad	Coussinet confort genouillère	
3	1	L3013ITTFO	Kit foam + cover for confort kneepad (unit)	Kit house + coussinet confort (l'unité)	
4	8	VIS-CHC5X10ZN	Hexagon socket head cap screw M5x10	Vis tête cylindrique M5x10 six pans creux	
5	2	L3111XXXFO	Polyurethane knee-support	Genouillère polyurethane surmoulée	
6	2	L3112FXXAI	Knee-support nut	Noix de genouillère fendue	
7	2	VIS-CHC5X16ZN	Hexagon socket head cap screw M5x16	Vis tête cylindrique M5x16 six pans creux	
8	2	L3110XXXFO	Kit confort kneepad (unit)	Kit genouillère confort (l'unité)	
9	1	L3100XXXFO	Kit confort kneepad (pair)	Kit genouillère confort (paire)	
10	1	O3045L36PN	Left kneerest tube size 36 cm	Tube genouillère gauche taille 36 cm	
		O3045L40PN	Left kneerest tube size 40 cm	Tube genouillère gauche taille 40 cm	
		O3045L44PN	Left kneerest tube size 44 cm	Tube genouillère gauche taille 44 cm	
		O3045L46PN	Left kneerest tube size 48 cm	Tube genouillère gauche taille 48 cm	
11	2	VIS-HC6X30ZN	Hexagon socket set screw M6x30	Vis sans tête M6x30 six pans creux	
12	1	L3060XXXFO	Locking knee support set	Verrou genouillère	
13	1	O3045R36PN	Right kneerest tube size 36 cm	Tube genouillère droit taille 36 cm	
		O3045R40PN	Right kneerest tube size 40 cm	Tube genouillère droit taille 40 cm	
		O3045R44PN	Right kneerest tube size 44 cm	Tube genouillère droit taille 44 cm	
		O3045R48PN	Right kneerest tube size 48 cm	Tube genouillère droit taille 48 cm	
14	1	L0005221FO	Black cap for tube Ø22.1 mm	Bouchon plastique noir pour tube Ø22.1 mm	
15	1	322896	Kit spacers kneerest	Kit entretoises genouillère	See table below to determine the number of spacer(s) and the length of screws

Spacing L (mm) (see picture p.46)/ Espacement L (mm) (voir schéma p.46)	0	10	20	30
Quantity of spacer(s) 614472 (for 1 kneepad) / Nombre d'entretoise(s) (pour 1 genouillère)	0	4	8	12
Quantity of screws (for 1 kneepad) / Nombre de vis (pour 1 genouillère)	4	4	4	4
References of screws / Références des vis	VIS-CHC5X10ZN	VIS-CHC5X20ZN	600686 (CHC 5x30)	VIS-CHC5X40ZN

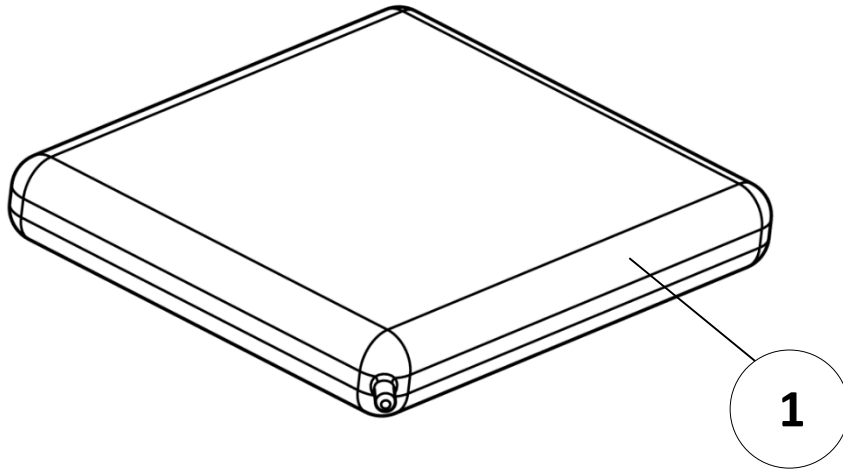
Textiles



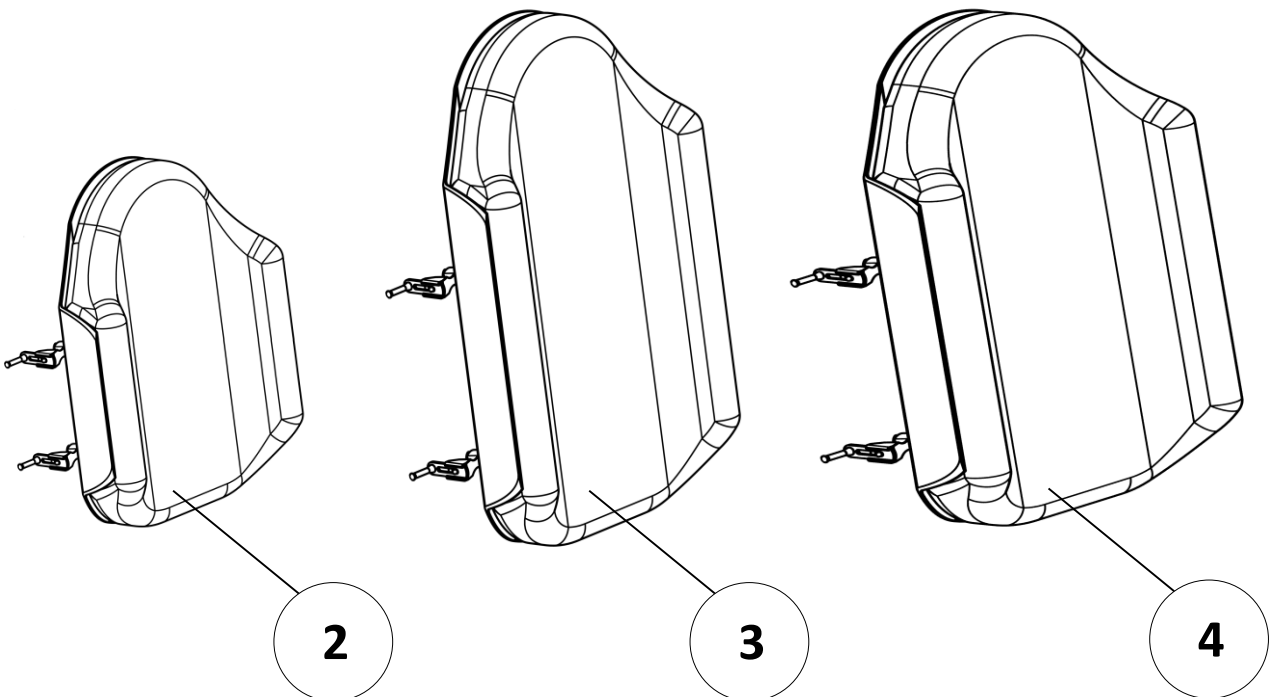
Textiles

Textiles					
Pos	Qty	Stock Code	Description En	Description Fr	Remark
1	1	L6005X36FO L6005X40FO L6005X44FO L6005H40FO L6005H44FO L6005H48FO	Standard backrest cover size 36-38 cm Standard backrest cover size 40-42 cm Standard backrest cover size 44-48 cm Extended backrest cover size 36-40 cm Extended backrest cover size 44 cm Extended backrest cover size 48 cm	Couvre dossier standard taille 36-38 cm Couvre dossier standard taille 40-42 cm Couvre dossier standard taille 44-48 cm Couvre dossier réhaussé taille 36-40 cm Couvre dossier réhaussé taille 44 cm Couvre dossier réhaussé taille 48 cm	
2	1		Varilite backrest	Dossier Varilite	See all sizes p.50
3	1	N-POTRO20 N-POTRO21 N-POTRO22 N-POTRO23 N-POTRO31 N-POTRO32 N-POTRO33	Trunk harness stayflex S large-men Trunk harness stayflex M large-men Trunk harness stayflex L large-men Trunk harness stayflex XL large-men Trunk harness stayflex M narrow-women Trunk harness stayflex L narrow-women Trunk harness stayflex XL narrow-women	Harnais bustier stayflex S large-homme Harnais bustier stayflex M large-homme Harnais bustier stayflex L large-homme Harnais bustier stayflex XL large-homme Harnais bustier stayflex M étroit-femme Harnais bustier stayflex L étroit-femme Harnais bustier stayflex XL étroit-femme	To be install on belt fixing kit L9029XXXFO (p. 34)
4	1	N-PODOS01	Framesaver clamp	Adaptateur tubulaire dossier	
5	2	L6008XXXFO	Metal ring	Boucle métallique	
6	1	N-POBAS50	Fixation kit	Kit de fixation	
7	1		Bodypoint chest strap S/M Bodypoint chest strap L	Ceinture ventrale S&M Ceinture ventrale L	NOT FOR SALE N-POBAS30 NOT FOR SALE N-POBAS31
8	1	322914 322915	Kit bodypoint chest strap S/M Kit bodypoint chest strap L	Kit ceinture ventrale S&M Kit ceinture ventrale L	
9	1		Bodypoint large abdominal strap	Sangle abdominale	NOT FOR SALE N-POBAS40
10	1	322916	Kit bodypoint large abdominal strap	Kit sangle abdominale	
11	1		Varilite cushion	Coussin Varilite	See all sizes p.50
12	1	L6110X36FO 321243 321244 L6110X40FO L6110X4048 321248 L6110X44FO L6110X4448 321251 L6110X48FO 321253	Seat cushion visco size 36x40x7 cm Seat cushion visco size 36x47x7 cm Seat cushion visco size 36x53x7 cm Seat cushion visco size 40x45x7 cm Seat cushion visco size 40x48x7 cm Seat cushion visco size 40x53x7 cm Seat cushion visco size 44x45x7 cm Seat cushion visco size 44x48x7 cm Seat cushion visco size 44x53x7 cm Seat cushion visco size 48x48x7 cm Seat cushion visco size 48x53x7 cm	Coussin visco taille 36x40x7 cm Coussin visco taille 36x47x7 cm Coussin visco taille 36x53x7 cm Coussin visco taille 40x45x7 cm Coussin visco taille 40x48x7 cm Coussin visco taille 40x53x7 cm Coussin visco taille 44x45x7 cm Coussin visco taille 44x48x7 cm Coussin visco taille 44x53x7 cm Coussin visco taille 48x48x7 cm Coussin visco taille 48x53x7 cm	
13	1	L6002XX1FO	Universal one-strap backrest stay	Sangle dossier une bande	
14	1	L6002XX2FO	Universal two-strap backrest stay	Sangle dossier deux bandes	

Varilite cushion



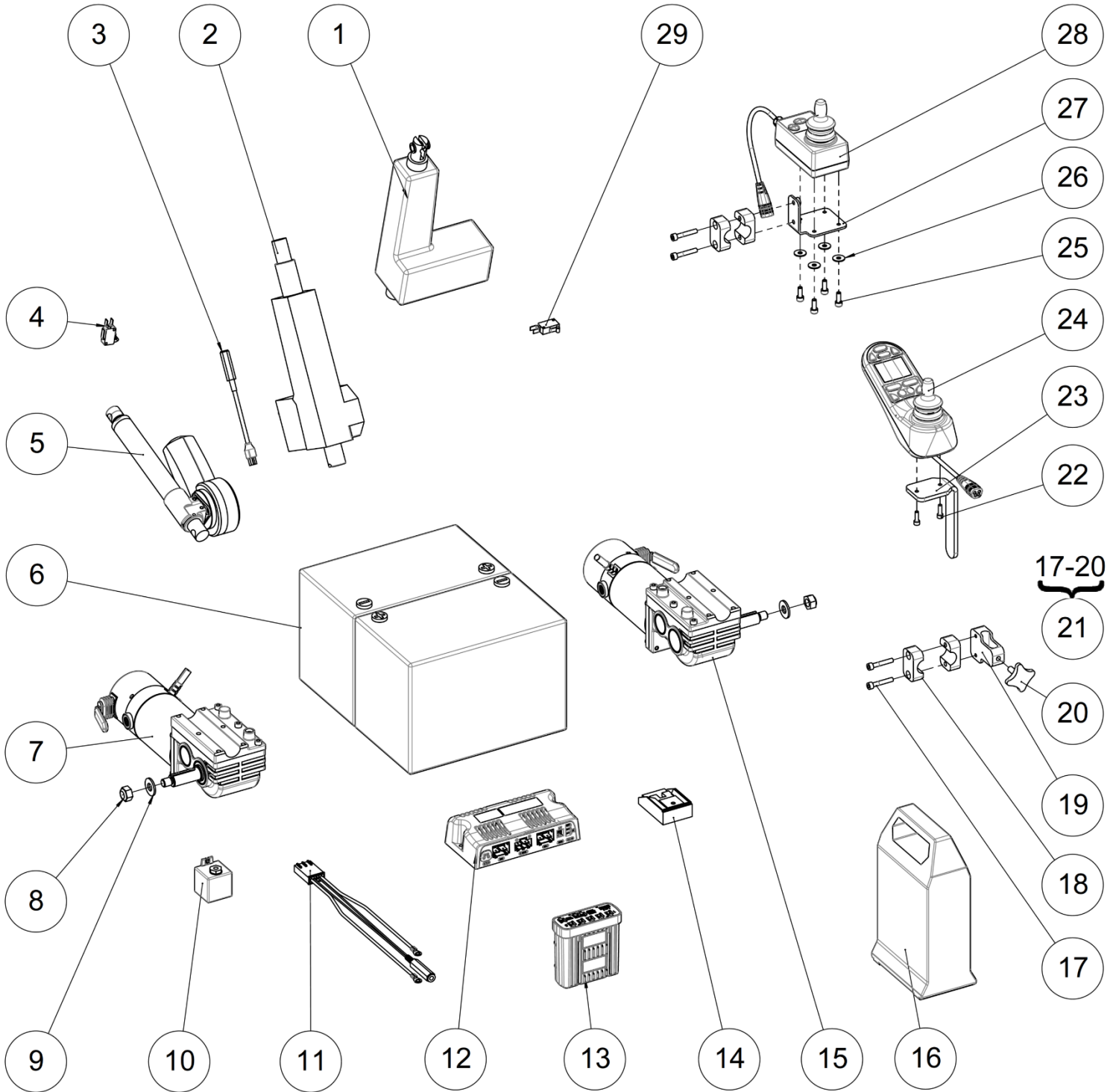
Varilite backrest



Varilite accessories

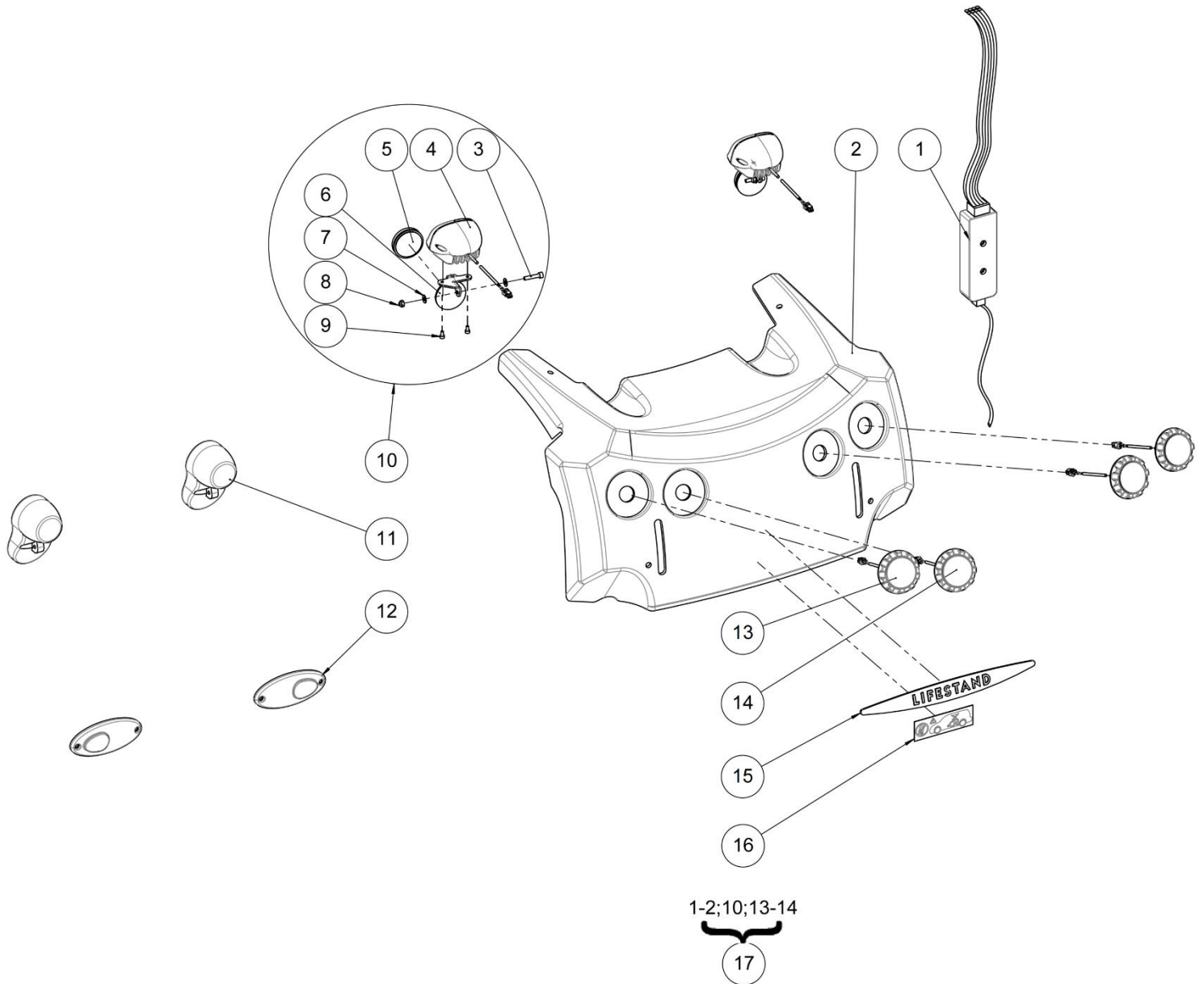
Pos	Qty	Stock Code	Description En	Description Fr	Remark		
1		N-COZOI02	Cushion Varilite ZOID 35x40 cm	Coussin Varilite ZOID 35x40 cm			
		N-COZOI03	Cushion Varilite ZOID 40x40 cm	Coussin Varilite ZOID 40x40 cm			
		N-COZOI04	Cushion Varilite ZOID 40x45 cm	Coussin Varilite ZOID 40x45 cm			
		N-COZOI05	Cushion Varilite ZOID 45x45 cm	Coussin Varilite ZOID 45x45 cm			
		N-COZOI06	Cushion Varilite ZOID 45x40 cm	Coussin Varilite ZOID 45x40 cm			
		N-COZOI09	Cushion Varilite ZOID 45x50 cm	Coussin Varilite ZOID 45x50 cm			
		N-COZOI07	Cushion Varilite ZOID 50x45 cm	Coussin Varilite ZOID 50x45 cm			
		N-COZOI08	Cushion Varilite ZOID 50x50 cm	Coussin Varilite ZOID 50x50 cm			
		N-COEVO03	Cushion Varilite EVOLUTION 35x40 cm	Coussin Varilite EVOLUTION 35x40 cm			
		N-COEVO035	Cushion Varilite EVOLUTION 35x45 cm	Coussin Varilite EVOLUTION 35x45 cm			
		N-COEVO04	Cushion Varilite EVOLUTION 40x40 cm	Coussin Varilite EVOLUTION 40x40 cm			
		N-COEVO05	Cushion Varilite EVOLUTION 40x45 cm	Coussin Varilite EVOLUTION 40x45 cm			
		N-COEVO06	Cushion Varilite EVOLUTION 40x50 cm	Coussin Varilite EVOLUTION 40x50 cm			
		N-COEVO065	Cushion Varilite EVOLUTION 43x43 cm	Coussin Varilite EVOLUTION 43x43 cm			
		N-COEVO07	Cushion Varilite EVOLUTION 45x40 cm	Coussin Varilite EVOLUTION 45x40 cm			
		N-COEVO08	Cushion Varilite EVOLUTION 45x45 cm	Coussin Varilite EVOLUTION 45x45 cm			
		N-COEVO09	Cushion Varilite EVOLUTION 45x50 cm	Coussin Varilite EVOLUTION 45x50 cm			
		N-COEVO10	Cushion Varilite EVOLUTION 50x40 cm	Coussin Varilite EVOLUTION 50x40 cm			
		N-COEVO11	Cushion Varilite EVOLUTION 50x45 cm	Coussin Varilite EVOLUTION 50x45 cm			
		N-COEVO12	Cushion Varilite EVOLUTION 50x50 cm	Coussin Varilite EVOLUTION 50x50 cm			
		2	1	N-COSTR04	Cushion Varilite STRATUS 35x40 cm	Coussin Varilite STRATUS 35x40 cm	
				N-COSTR05	Cushion Varilite STRATUS 40x40 cm	Coussin Varilite STRATUS 40x40 cm	
N-COSTR06	Cushion Varilite STRATUS 40x45 cm			Coussin Varilite STRATUS 40x45 cm			
N-COSTR07	Cushion Varilite STRATUS 43x43 cm			Coussin Varilite STRATUS 43x43 cm			
N-COSTR08	Cushion Varilite STRATUS 45x40 cm			Coussin Varilite STRATUS 45x40 cm			
N-COSTR09	Cushion Varilite STRATUS 45x45 cm			Coussin Varilite STRATUS 45x45 cm			
N-COSTR10	Cushion Varilite STRATUS 50x45 cm			Coussin Varilite STRATUS 50x45 cm			
N-COSTR11	Cushion Varilite STRATUS 50x50 cm			Coussin Varilite STRATUS 50x50 cm			
N-COEVO33	Backrest Varilite EVOLUTION 36 cm			Dossier Varilite EVOLUTION 36 cm			
N-COEVO34	Backrest Varilite EVOLUTION 38 cm			Dossier Varilite EVOLUTION 38 cm			
3	1	N-COEVO35	Backrest Varilite EVOLUTION 40 cm	Dossier Varilite EVOLUTION 40 cm			
		N-COEVO36	Backrest Varilite EVOLUTION 43 cm	Dossier Varilite EVOLUTION 43 cm			
		N-COEVO37	Backrest Varilite EVOLUTION 45 cm	Dossier Varilite EVOLUTION 45 cm			
		N-COEVO38	Backrest Varilite EVOLUTION 50 cm	Dossier Varilite EVOLUTION 50 cm			
		N-COEVO13	Backrest Varilite EVOLUTION tall 36 cm	Dossier Varilite EVOLUTION haut 36 cm			
		N-COEVO14	Backrest Varilite EVOLUTION tall 38 cm	Dossier Varilite EVOLUTION haut 38 cm			
4	1	N-COEVO15	Backrest Varilite EVOLUTION tall 40 cm	Dossier Varilite EVOLUTION haut 40 cm			
		N-COEVO16	Backrest Varilite EVOLUTION tall 43 cm	Dossier Varilite EVOLUTION haut 43 cm			
		N-COEVO17	Backrest Varilite EVOLUTION tall 45 cm	Dossier Varilite EVOLUTION haut 45 cm			
		N-COEVO18	Backrest Varilite EVOLUTION tall 50 cm	Dossier Varilite EVOLUTION haut 50 cm			
		N-COEVO43	Backrest Varilite EVOLUTION deep 36 cm	Dossier Varilite EVOLUTION profond 36 cm			
		N-COEVO44	Backrest Varilite EVOLUTION deep 38 cm	Dossier Varilite EVOLUTION profond 38 cm			
		N-COEVO45	Backrest Varilite EVOLUTION deep 40 cm	Dossier Varilite EVOLUTION profond 40 cm			
		N-COEVO46	Backrest Varilite EVOLUTION deep 43 cm	Dossier Varilite EVOLUTION profond 43 cm			
N-COEVO47	Backrest Varilite EVOLUTION deep 45 cm	Dossier Varilite EVOLUTION profond 45 cm					
N-COEVO48	Backrest Varilite EVOLUTION deep 50 cm	Dossier Varilite EVOLUTION profond 50 cm					

Electronic



Electronic

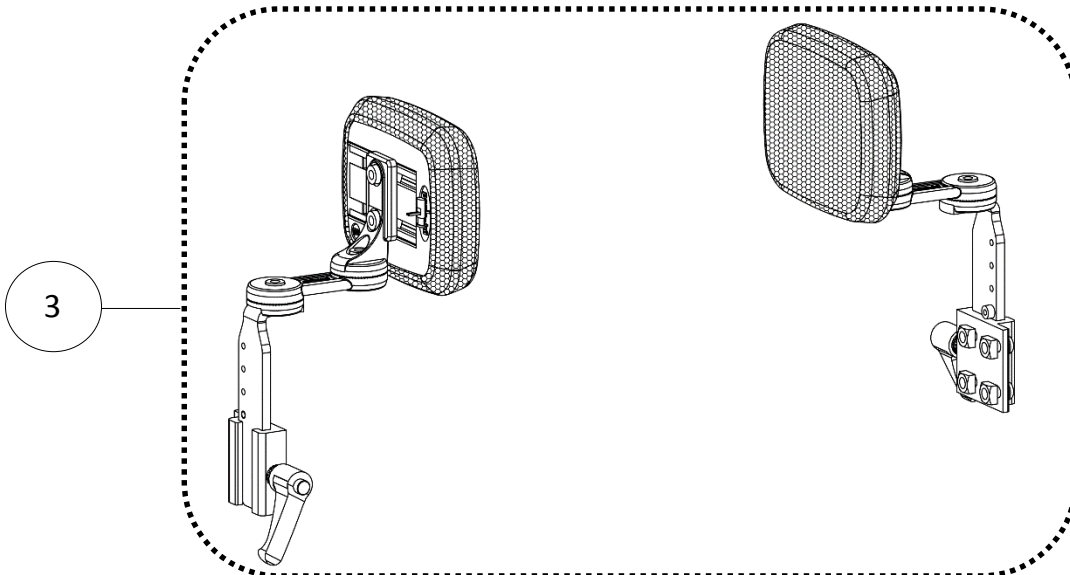
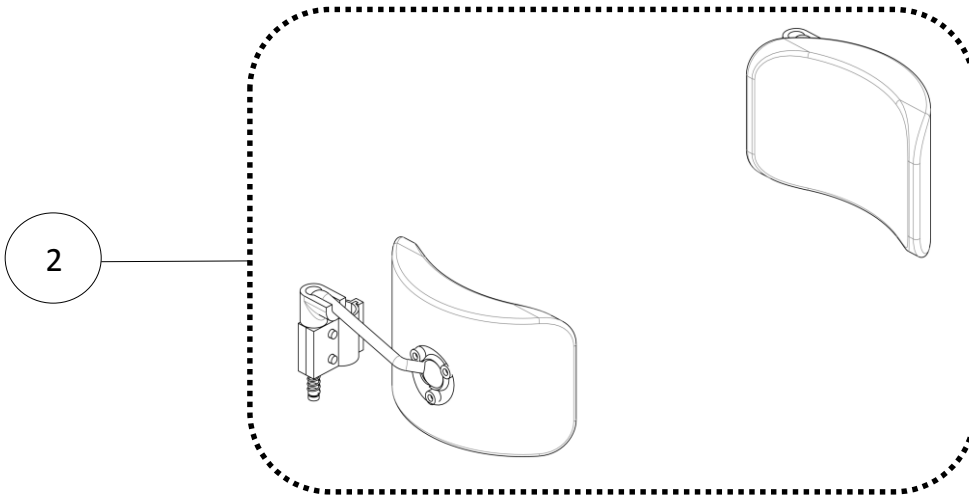
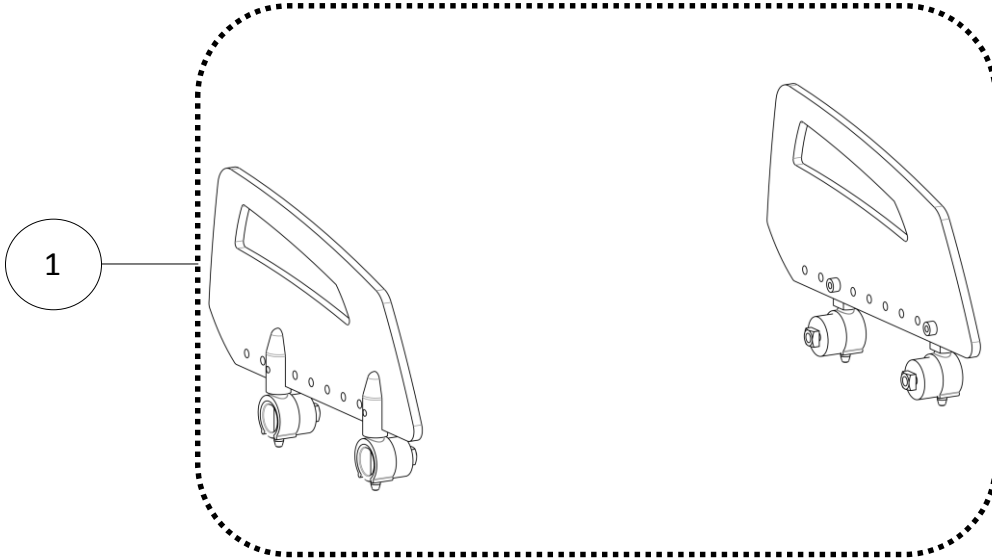
Electronic					
Pos	Qty	Stock Code	Description En	Description Fr	Remark
1	1	O5042MONTE	Backrest actuator	Vérin de dossier	
2	1	O5040MONTE	Standup actuator	Vérin verticalisation	
3	1	O5047XXXFO	Electrical harness stand up actuator to ISM	Cordon replis vérin verticalisation	
4	1	O5038MONTE	Speed limit cable	Cable faisceau speed limit	
5	1	O5043MONTE	Legrest actuator	Vérin jambier	
6	2	O5004XXXFO	Battery 12V 70Ah	Batterie 12V 70Ah	Includes protections for battery connectors.
7	1	614630	Left side motor 300W 4P	Moteur 300W 4P gauche	Includes prevailing torque type hexagon nut M10.
8	2		Prevailing torque type hexagon nut M10	Ecrou frein M10	NOT FOR SALE
9	2	614480	Thick washer Ø10,5x30x4 mm	Rondelle épaisse Ø10,5x30x4 mm	
10	1	O5041MONTE	Light module cable	Cordon light module	Only for wheelchair build before 2014. Provided until end of stock, then order 322357 and the complete light and cover kit 321573 (see p.54).
11	1	322357	Electric harness power module	Faisceau électrique power module	
12	1	O5031XXXFO	Power module R-NET without cable	R-NET power module sans câble	
13	1	O5039XXXFO	PGDT R-NET ISM	PGDT R-NET ISM	
14	1	O5046XXXFO	Electrical harness + fuse box	Faisceau + boîtier fusible	
15	1	614629	Right side motor 300W 4P	Moteur 300W 4P droit	Includes prevailing torque type hexagon nut M10.
16	1	P1825130	Charger 24V/8A	Chargeur 24V/8A	Includes plugs and power cords for EU, UK and US.
17	0-4	VIS-CHC6X35ZN	Hexagon socket head cap screw M6x35	Vis tête cylindrique M6x35 six pans creux	
18	0-2	C9091XXXFO	Polyamid tube clamp Ø22 mm	Bride polyamide Ø22 mm	
19	0-1	C9151XXXAI	Dual attendant support	Support commande déportée	
20	0-1	L0020XXXFO	Adjustment knob M8x20	Poignée quadro M8x20	
21	0-1	C9162XXXFO	Kit joystick mounted on backrest	Kit commande standard deportee dossier	
22	0-2	VIS-CHC5X16ZN	Hexagon socket head cap screw M5x16	Vis tête cylindrique M5x16 six pans creux	
23	0-1	O5030XXXAI	PGDT joystick holder	Support joystick PGDT	
24	1	O5032XXXFO	PGDT R-NET joystick	Joystick PGDT R-NET	
25	0-4	VIS-CHC5X12ZN	Hexagon socket head cap screw M5x12	Vis tête cylindrique M5x12 six pans creux	
26	0-4	RON-M5ZN	Plain washer Ø5	Rondelle plate M Ø5	
27	0-1	O4076XXXPN	Attendant control support	Support commande tierce personne	
28	0-1	O5034XXXFO	PGDT R-NET dual attendant module	Commande tierce personne PGDT R-NET	
29	1	O5044MONTE	Electrical harness legrest R-NET	Cable faisceau jambier R-NET	
-	-	C5239XXXFO	VR2 extension wire 0,5m	Extension cable 0,5m VR2	
-	-	O5035XXXFO	R-NET bus cable 0,5m	Cable bus 0,5m RNET	
-	-	O5045XXXFO	R-NET bus cable 2,5m	Cable bus 2,5m R-NET	
-	-	O5049XXXFO	RNET hub 4 socket	Hub 4 socket RNET	



Lights and cover assembly

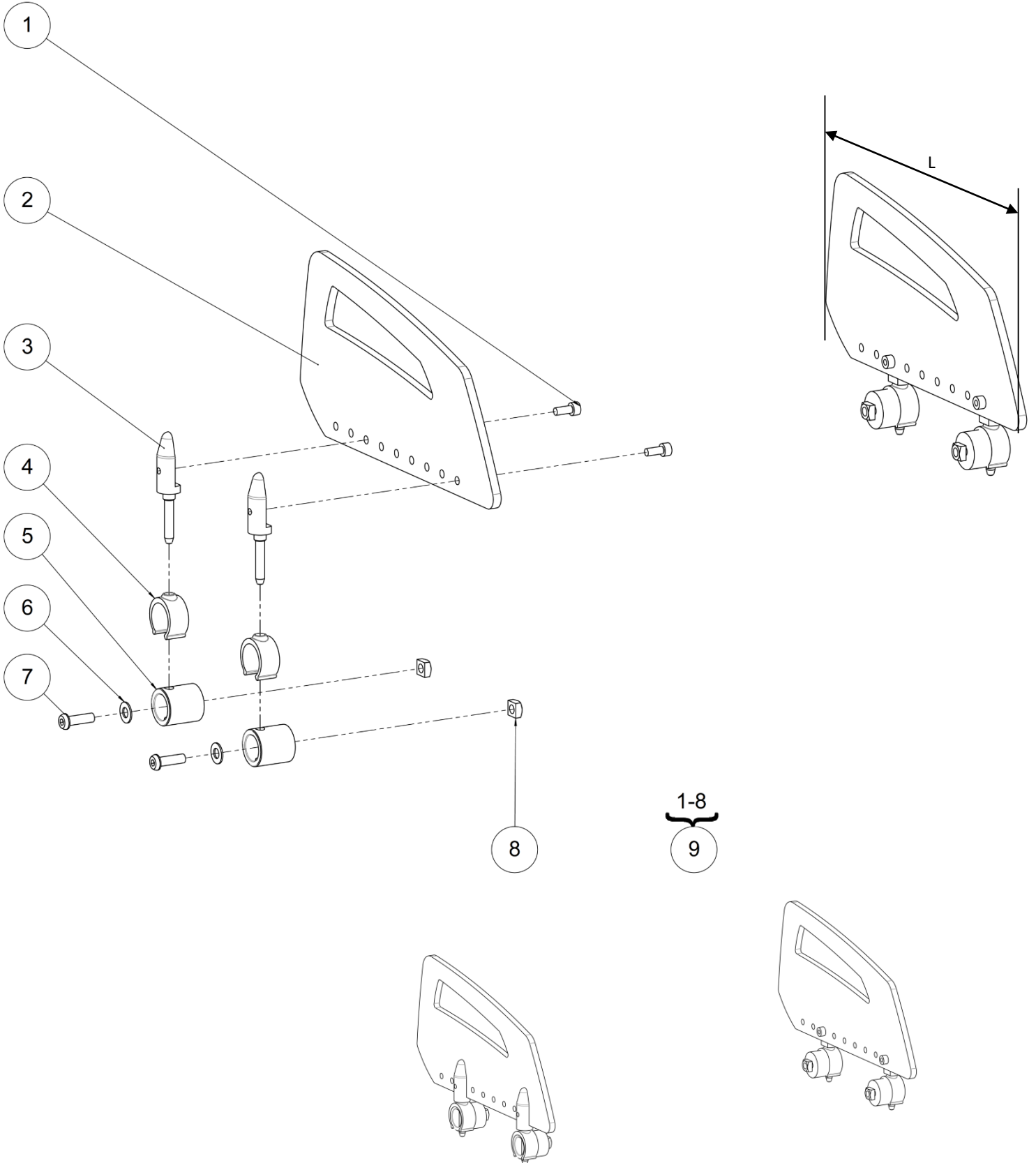
Pos	Qty	Stock Code	Description En	Description Fr	Remark
1	1	311694	Lifestand light cable RNET	Lifestand light cable RNET	
2	1	O1020XXXFO	Rear cover	Capot arrière	If the wheelchair serial n° < 36107 order 321573
3	1	601184	Hexagon socket head cap screw M4x12	Vis tête cylindrique M4x12 six pans creux	
4	1	320028	Light front LED	Phare à LED	
5	1	612368	Reflector white	Reflecteur blanc	
6	1	321258	Front light support	Support feu avant	
7	2	RON-M4ZN	Plain washer Ø4	Rondelle plate M Ø4	
8	1	ECR-HFR4ZN	Prevailing torque type hexagon nut M4	Ecrou frein M4	
9	2	600693	Hexagon socket countersunk head screw M3x12	Vis tête fraisée M3x12 six pans creux	
10	2	321571	Kit front light LED	Kit feu avant à LED	One side
11	2	C9141AVAFO	Pilot steady front LED	Phare avant LED	For wheelchair with serial n° < 36107. Provided until end of stock, then order the complete light and cover kit 321573.
12	2	MP909MONTE	Red rear light	Feu arrière rouge	For wheelchair with serial number < 36107. Provided until end of stock, then order the complete light and cover kit 321573.
13	2	613830	Light rear LED turn signal	Clignotant arrière LED	
14	2	613829	Light rear LED	Feu arrière LED	
15	1	MP127XXXFO	Central sticker	Autocollant central noir	
16	1	326738	Prohibition sticker	Sticker interdiction	
17	1	321573	Kit light and cover R-NET LSCO	Kit feux et capot R-NET LSCO	

Accessories



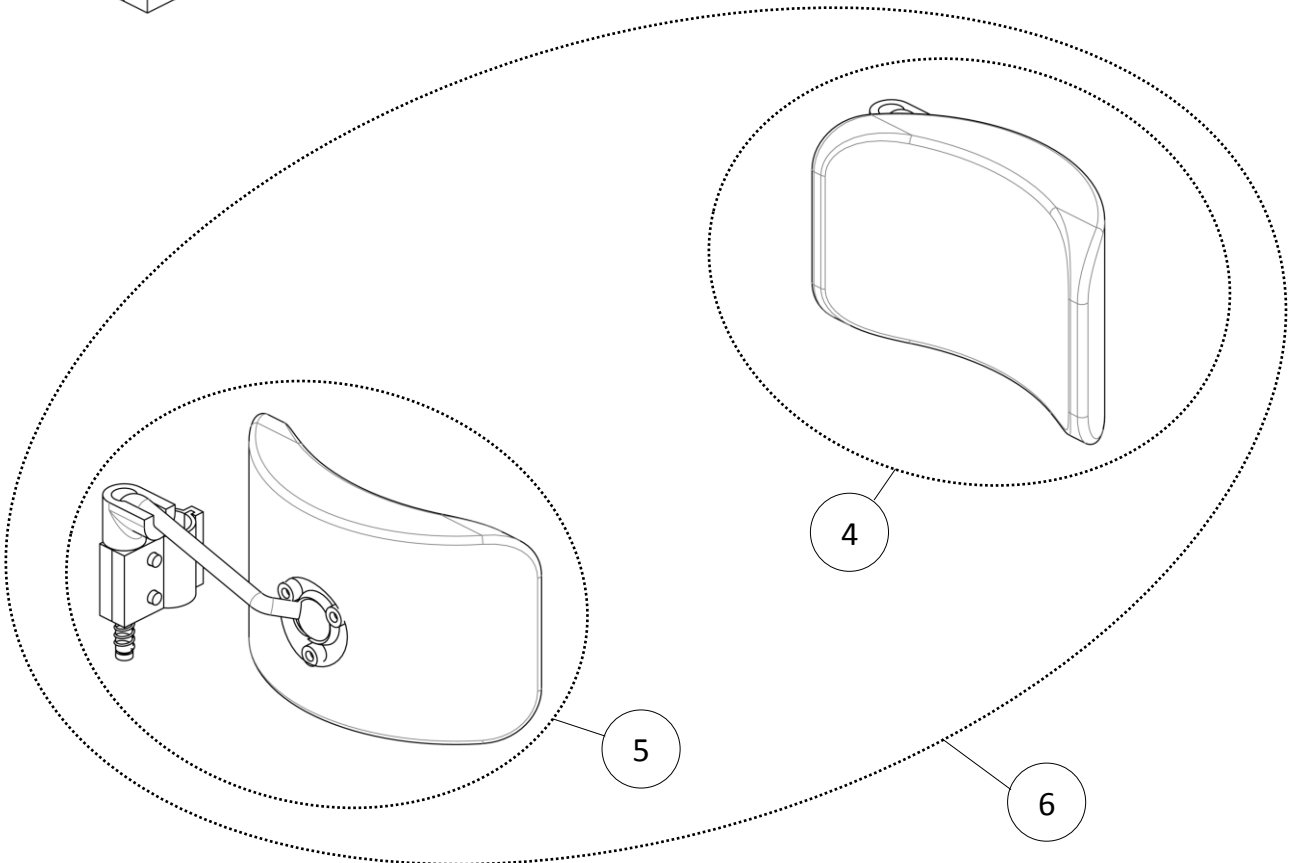
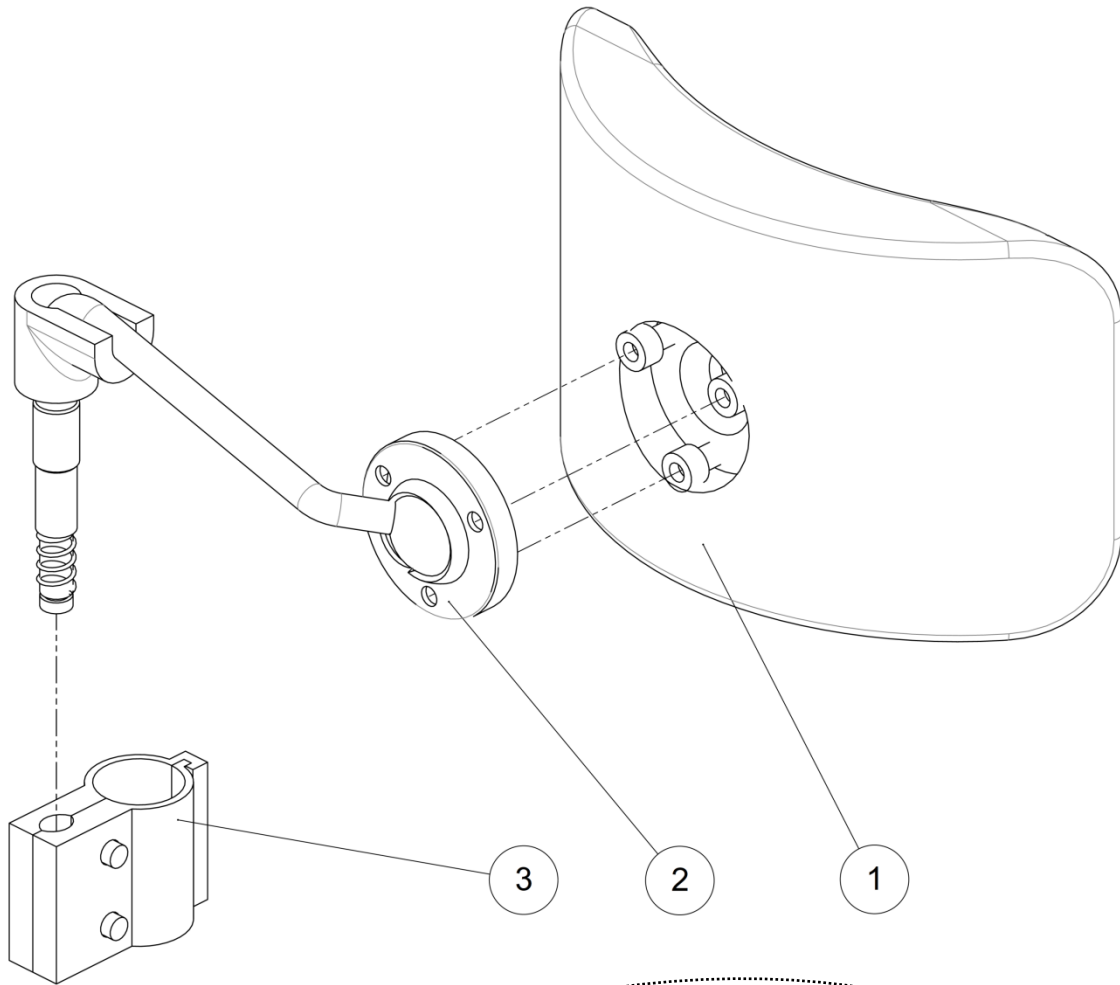
Accessories

Accessories					
Pos	Qty	Stock Code	Description En	Description Fr	Remark
1	1		Side guard	Protection latérale	See exploded view p.58
2	1		Thoracic support	Cale tronc	See exploded view p.60
3	1		Lateral support	Support latéral	See exploded view p.62



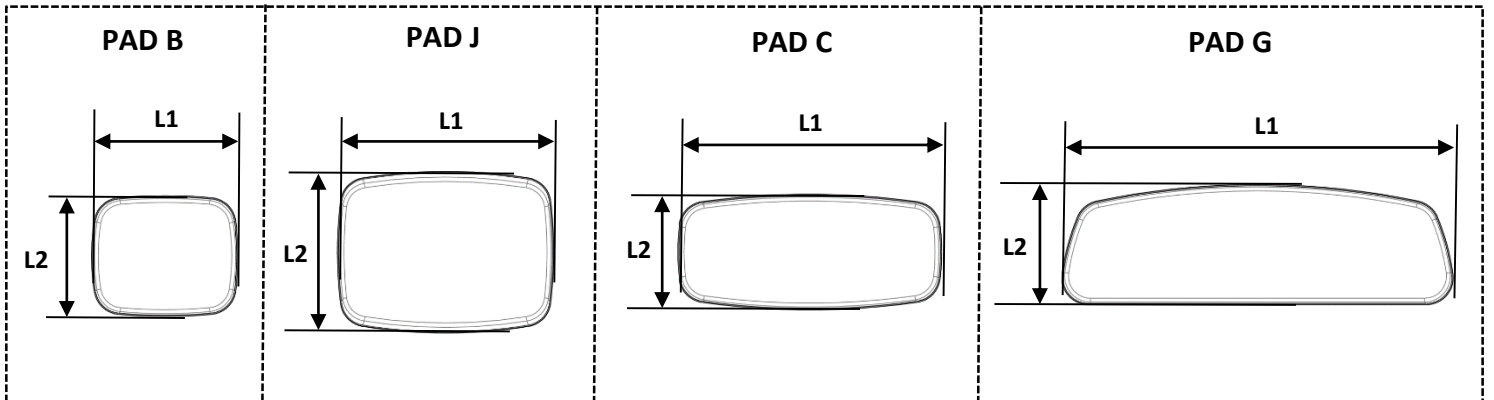
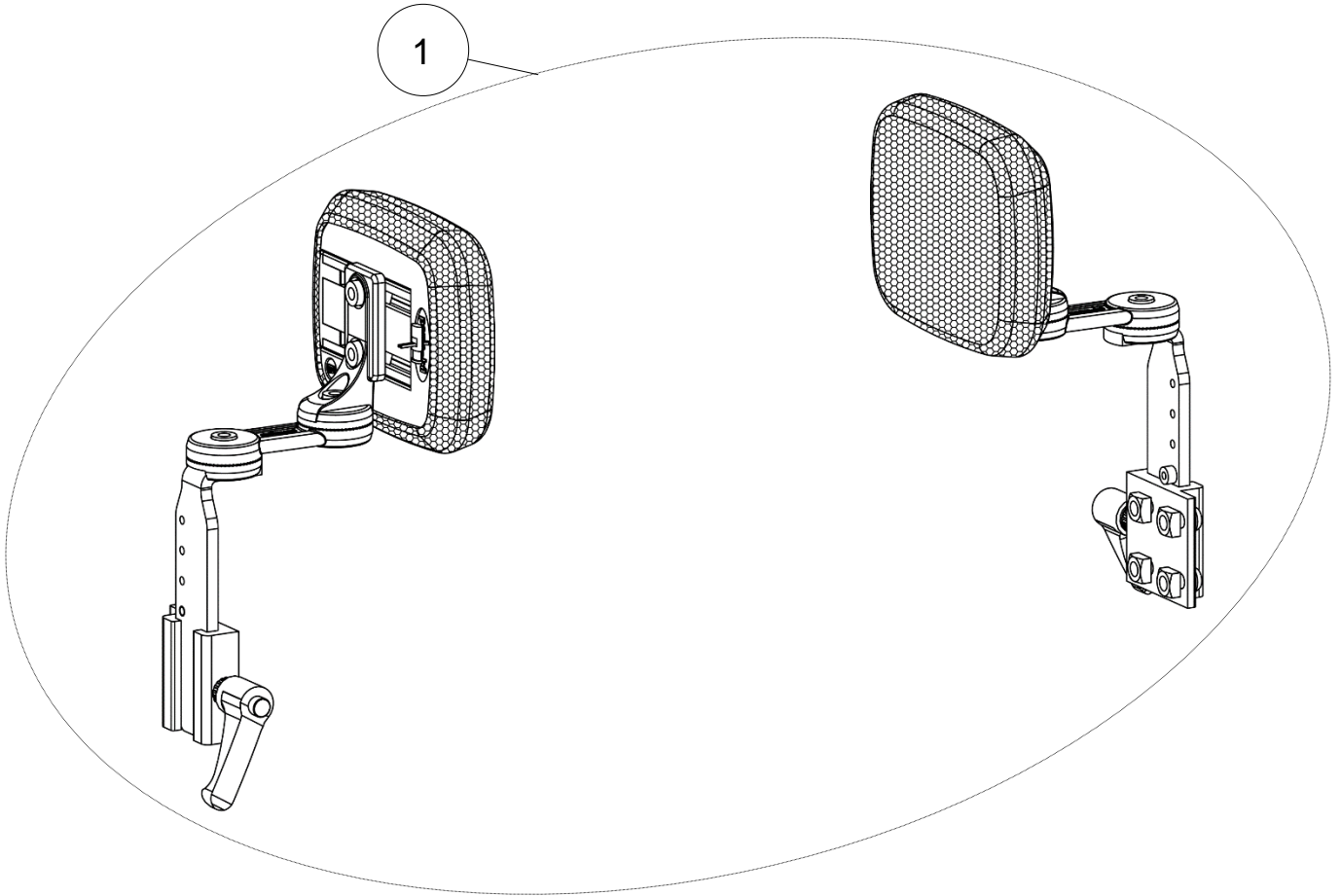
Side guard

Pos	Qty	Stock Code	Description En	Description Fr	Remark
1	4	VIS-CHC5X12ZN	Hexagon socket head cap screw M5x12	Vis tête cylindrique M5x12 six pans creux	
2	2	C9111XSHFO	Clothes guard short	Protège vêtement court	L = 213mm
		C9111XXXFO	Clothes guard long	Protège vêtement long	L = 254mm
3	4	L9012XXXFO	Pin bracket side guards	Axe protection latérale	
4	4	L0009XXXFO	Tube lock	Verrou de tube	
5	4	O9002XXXFO	Spacer n°1	Entretoise n°1	
6	4	RON-M6ZN	Plain washer Ø6	Rondelle plate M Ø6	
7	4	VIS-CBHC6X20ZN	Hexagon socket button head screw M6x20	Vis tête bombée M6x20 six pans creux	
8	4	612947	Square nut M6	Ecrou carré M6	
9	1	O9010XSHFO	Kit side guards short LSCO (pair)	Kit protection latérale court LSCO (paire)	L = 213mm
		O9010XXXFO	Kit side guards long LSCO (pair)	Kit protection latérale long LSCO (paire)	L = 254mm



Thoracic support

Pos	Qty	Stock Code	Description En	Description Fr	Remark
1	1	L9070XXXFO	Thoracic support cushion	Coussin soutien thoracique	
2	1	L9071RXXFO	Right trunk support	Support cale tronc droit	
		L9071LXXFO	Left trunk support	Support cale tronc gauche	
3	1	L9074XXXFO	Fixing tube Ø22.2 mm for trunk support	Bride de fixation tube Ø22.2 mm cale tronc	
4	1	L9079LXXFO	Kit trunk support left	Kit cale tronc gauche	
5	1	L9079RXXFO	Kit trunk support right	Kit cale tronc droit	
6	1	L9079XXXFO	Kit trunk support (pair)	Kit cale tronc (paire)	





Accessories

Lateral support

Lateral support					
Pos	Qty	Stock Code	Description En	Description Fr	Remark
1	1	P1822692	Kit lateral support S (pair)	Kit support lateral S (paire)	Pad B: L1xL2 = 110x90 mm
		P1822695	Kit lateral support M (pair)	Kit support lateral M (paire)	Pad J: L1xL2 = 165x120 mm
		P1822696	Kit lateral support L (pair)	Kit support lateral L (paire)	Pad C: L1xL2 = 200x90 mm
		P1822698	Kit lateral support XL (pair)	Kit support lateral XL (paire)	Pad G: L1xL2 = 300x90 mm

Pos	Qty	Stock Code	Description En	Description Fr	Remark
1	1	P1822692	Kit lateral support S (pair)	Kit support lateral S (paire)	Pad B: L1xL2 = 110x90 mm
		P1822695	Kit lateral support M (pair)	Kit support lateral M (paire)	Pad J: L1xL2 = 165x120 mm
		P1822696	Kit lateral support L (pair)	Kit support lateral L (paire)	Pad C: L1xL2 = 200x90 mm
		P1822698	Kit lateral support XL (pair)	Kit support lateral XL (paire)	Pad G: L1xL2 = 300x90 mm