

# LSCT

## Spare Part Catalog



# LSCT

## Stand-Up Wheelchair

**Permobil Group's Head Office**  
**Permobil AB**  
Box 120  
861 23 Timrå  
Sweden

Tel. +46 60 59 59 00  
Fax + 46 60 57 52 50

E-mail: [info@permobil.se](mailto:info@permobil.se)



**Permobil GmbH**  
Brandenburgerstrasse 2-4  
40880 Ratingen  
Germany

Tel. +49 (0) 231 9453630  
Fax +49 (0) 231 94536320  
Email: [info@permobil.de](mailto:info@permobil.de)

**Lifestand Groupe Permobil**  
5 rue Clément Ader  
69740 Genas  
France

Tel. +33 (0)4 37 26 27 28  
Fax +33 (0)4 37 26 27 29

Email: [info@permobil.com](mailto:info@permobil.com)

<b>LSCT</b>	<b>SPARE PART CATALOG</b>		 
Item N° <b>325014</b>	Revision <b>A</b>	Date <b>23/07/2015</b>	Page <b>3</b> of <b>63</b>

## Summary

Rolling base .....	7
Framework and tilt seat base .....	9
Framework .....	11
Tilt seat base .....	13
Back cover & anti tipper wheels .....	15
Engine and support right / left .....	17
Chassis & front wheel right / left .....	19
Aluminium frame right / left .....	21
Rear wheels .....	23
Seat .....	25
Upper seat .....	27
Upper seat tube .....	29
Lower seat .....	31
Legrest .....	33
Legrest actuator .....	35
Static body .....	37
Footplate and bracket .....	39
Kneerest .....	41
Backrest .....	43
Left armrest .....	45
Right armrest and pantograph .....	47
Backrest accessories .....	49
Headrest crosstube .....	51
Thoracic support .....	53
Drainpipe armrest .....	55
Seat accessories .....	57
Side guard .....	59
Lateral support .....	61
Varilite accessories .....	63

**LSCT**

**SPARE PART CATALOG**

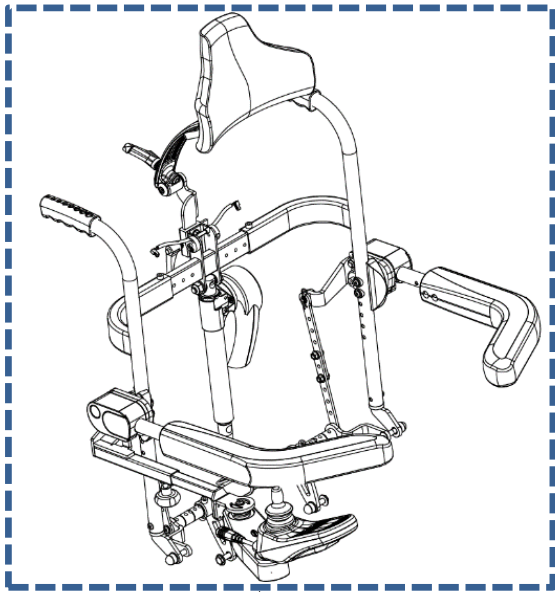


Item N° **325014**

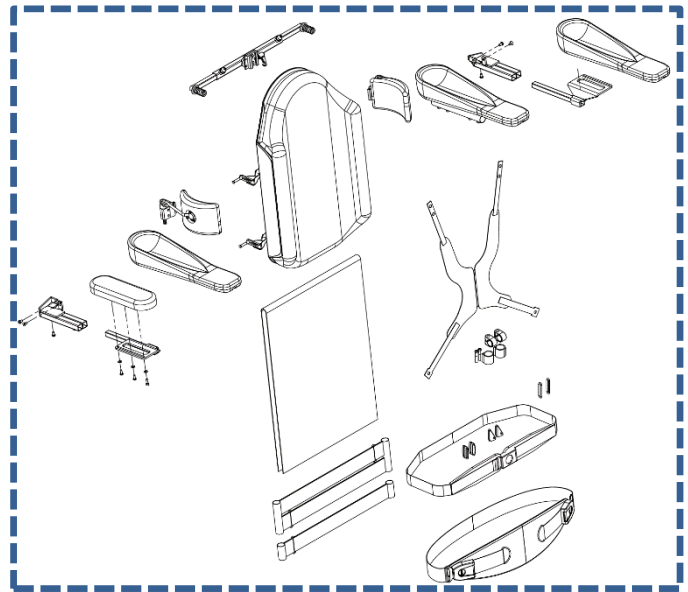
Revision **A**

Date **23/07/2015**

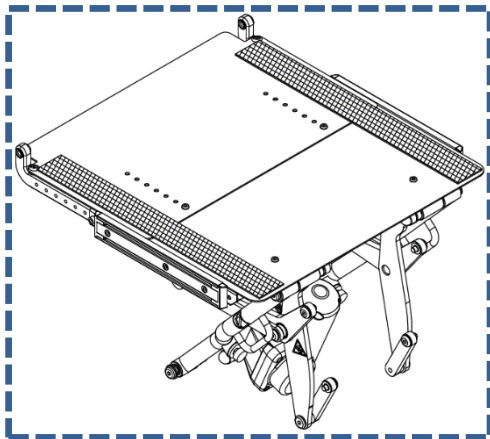
Page **4** of **63**



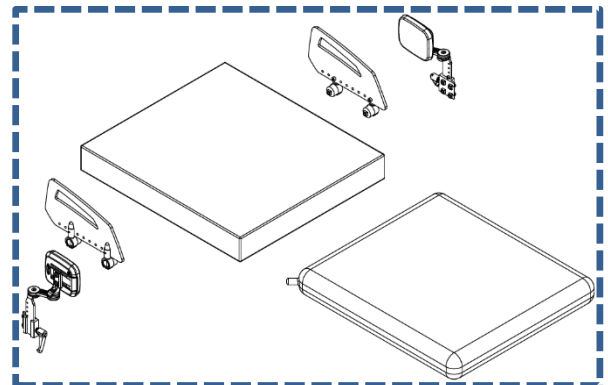
P 42-47



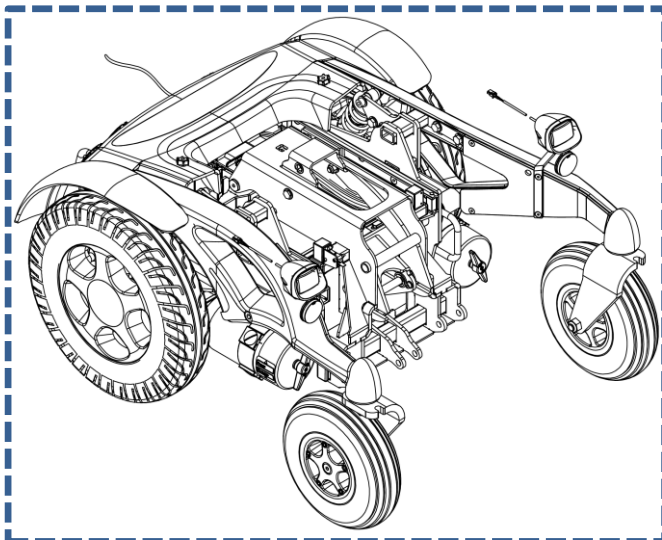
P 48-55



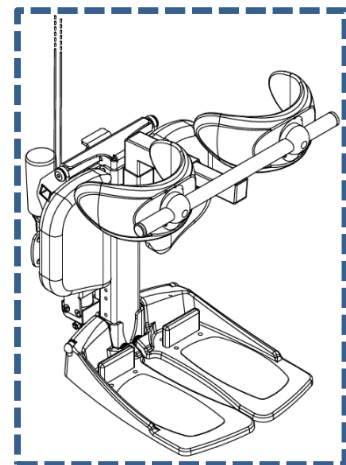
P 24-31



P 56-63

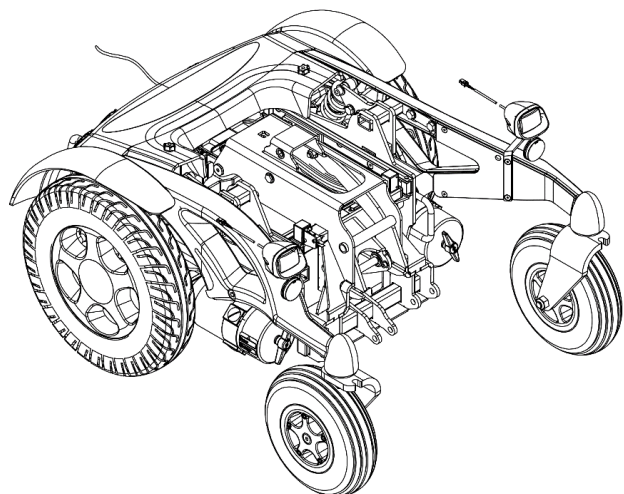
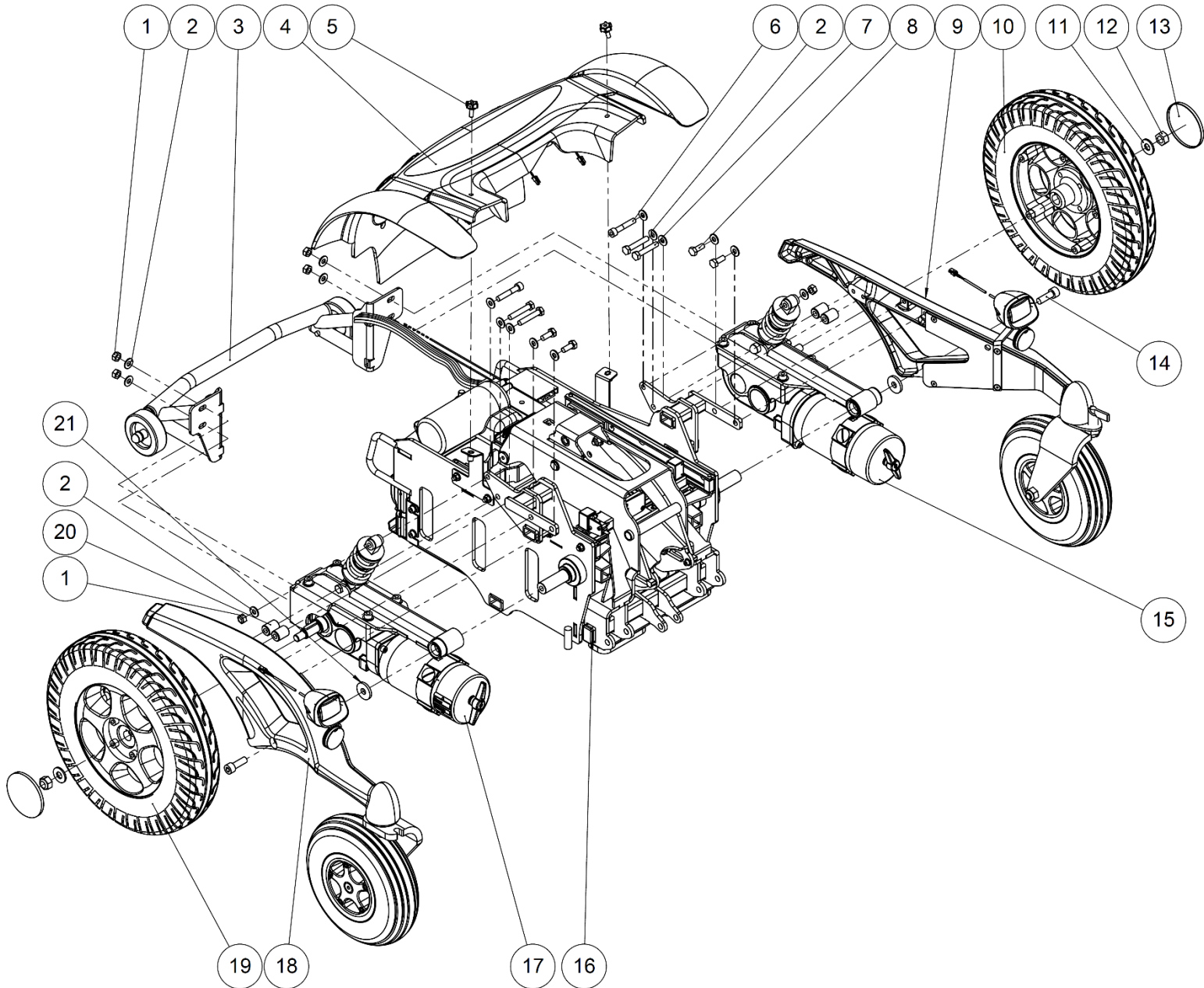


P 6-23



P 32-41

Rolling base

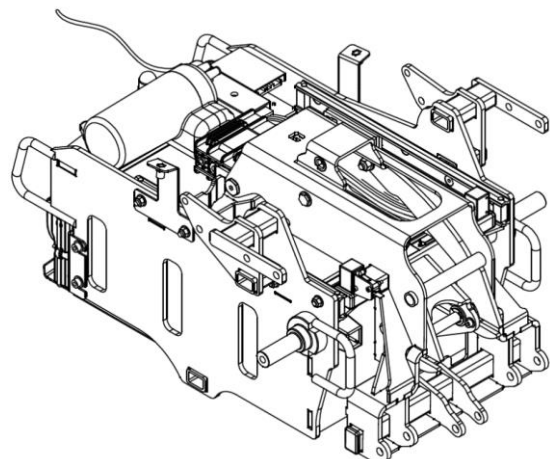
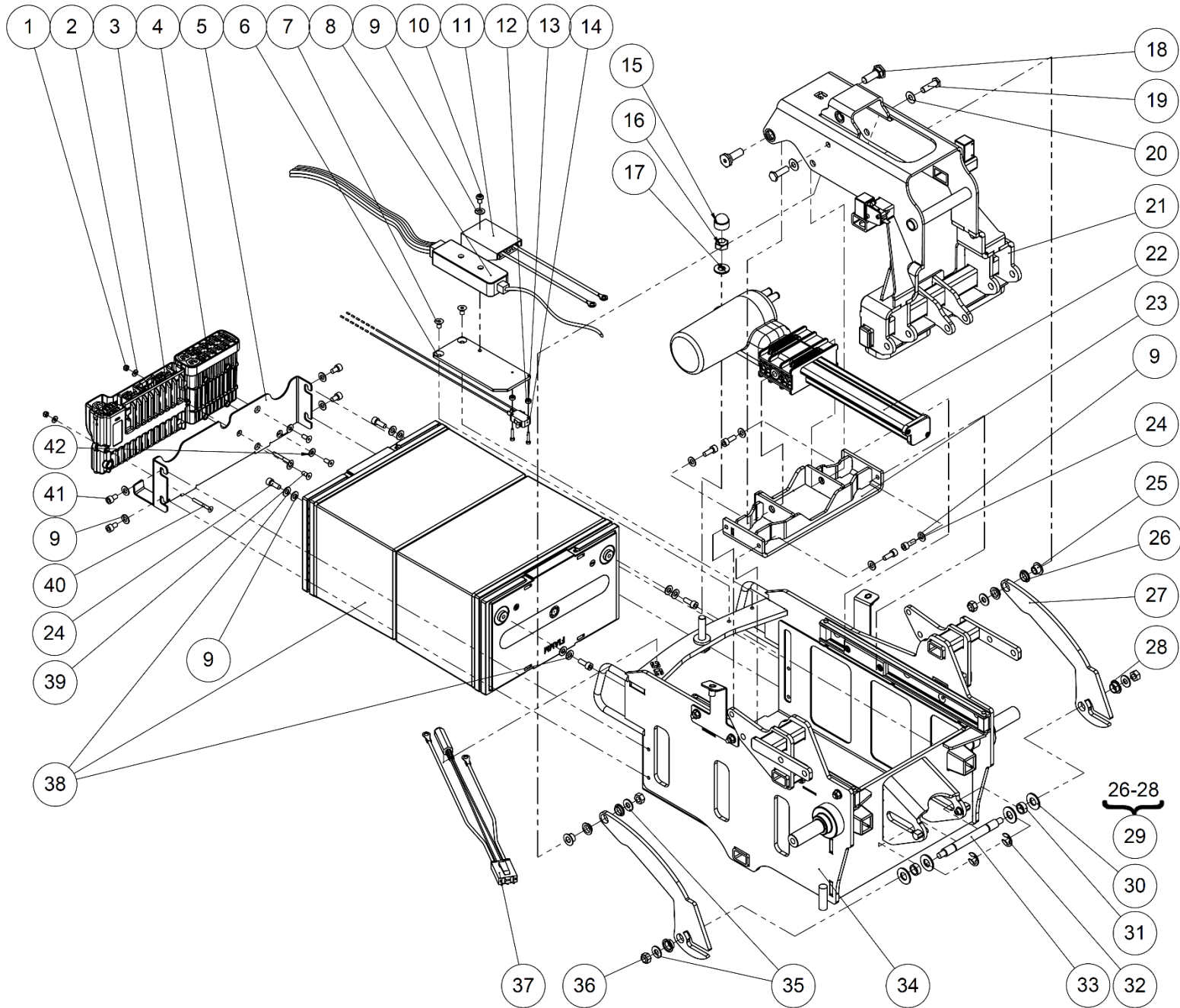


## Rolling base

Rolling base					
Pos	Qty	Stock Code	Description En	Description Fr	Remark
1	4	<b>ECR-HFR8ZN</b>	Prevailing torque type hexagon nut M8	Ecrou frein M8	
2	16	<b>RON-M8ZN</b>	Plain washer Ø8	Rondelle plate M Ø8	
3	1		Anti tipper wheel	Roulette anti bascule	See exploded view p.14
4	1		Back cover	Capot	See exploded view p.14
5	2	<b>613874</b>	Lock handle M6x15	Poignée M6x15	
6	2	<b>VIS-CHC8X45ZN</b>	Hexagon socket head cap screw M8x45	Vis tête cylindrique M8x45 six pans creux	
7	4	<b>VIS-H8X45ZN</b>	Hexagon head screw M8x45	Vis tête hexagonale M8x45	
8	4	<b>VIS-H8X20ZN</b>	Hexagon head screw M8x20	Vis tête hexagonale M8x20	
9	1		Chassis & front wheel left	Chassis et roue avant gauche	See exploded view p.18
10	1		Rear wheels left	Roue arrière gauche	See exploded view p.22
11	2	<b>RON-M12ZN</b>	Plain washer Ø12	Rondelle plate M Ø12	
12	2	<b>614763</b>	Prevailing torque type hexagon nut M12x1,5	Ecrou frein M12x1,5	
13	2	<b>C7111XXXFO</b>	Plastic cover rear rim	Cache plastique jante arrière	
14	2	<b>VIS-CHC10X30ZN</b>	Hexagon socket head cap screw M10x30	Vis tête cylindrique M10x30 six pans creux	
15	1		Engine and support left	Moteur et support gauche	See exploded view p.18
16	1		Framework and tilt seat base	Chassis et base assise tilt	See exploded view p.8
17	1		Engine and support right	Moteur et support droite	See exploded view p.16
18	1		Chassis & front wheel right	Chassis et roue avant droite	See exploded view p.18
19	1		Rear wheels right	Roue arrière droite	See exploded view p.22
20	4	<b>O1081XXXZN</b>	Chassis spacer	Entretoise châssis	
21	2	<b>614480</b>	Washer 10.5x30x4	Rondelle 10.5x30x4	

Rolling base

Framework and tilt seat base



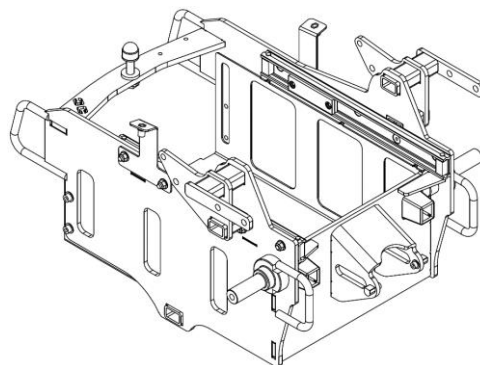
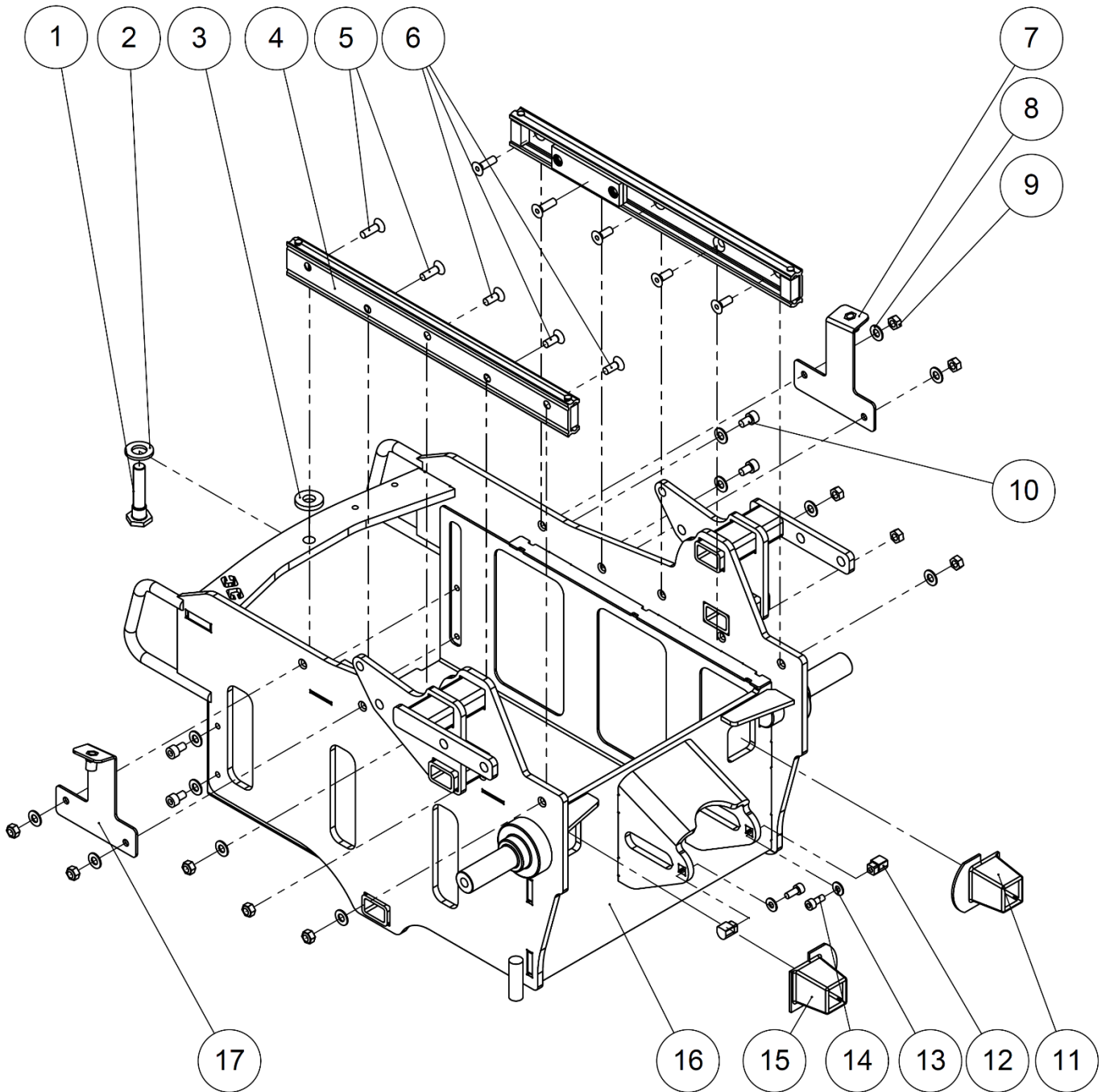


Rolling base

Framework and tilt seat base

## Framework and tilt seat base

Pos	Qty	Stock Code	Description En	Description Fr	Remark
1	2	ECR-HFR4ZN	Prevailing torque type hexagon nut M4	Ecrou frein M4	
2	2	RON-M4ZN	Plain washer Ø4	Rondelle plate M Ø4	
3	1	613686	Power module PM90 R-NET without cable	PM90 R-NET power module sans cable	
4	1	O5039XXXFO	PGDT R-NET ISM	PGDT R-NET ISM	
5	1	322955	Closing plate	Plaque de fermeture	
6	1	324683	Plate bracket fuse	Platine support fusible	
7	2	VIS-FHC6X12ZN	Hexagon socket countersunk head screw M6x12	Vis tête fraisée M6x12 six pans creux	
8	1	311694	Lifestand light cable	Lifestand light cable	
9	11	RON-M6ZN	Plain washer Ø6	Rondelle plate M Ø6	
10	1	VIS-CBHC6X8ZN	Hexagon socket button head screw M6x8	Vis tête bombée M6x8 six pans creux	
11	1	325444	Electrical harness + fuse box 80A	Faisceau 6mm <sup>2</sup> + boîtier fusible 80A	
12	2	614217	Plastic washer	Rondelle plastique	
13	1	325467	Electrical harness tilt and legrest switch	Faisceau de capteurs tilt et jambier	
14	2	VIS-CHC3X16ZN	Hexagon socket head cap screw M3x16	Vis tête cylindrique M3x16 six pans creux	
15	1	C0216XXXFO	Nut cap M10	Cache écrou M10	
16	1	ECR-HFR10ZN	Prevailing torque type hexagon nut M10	Ecrou frein M10	
17	1	RON-M10ZN	Plain washer Ø10	Rondelle plate M10	
18	2	322954	Actuator fixation axis	Axe de fixation vérin	
19	2	323512	Hexagon head screw M8x26.5 (specific)	Vis tête hexagonale M8x26.5 (spécifique)	
20	2	RON-M8FINEZN	Plain thin washer Ø8	Rondelle plate fine Ø8	
21	1		Seat tilt base	Base assise tilt	See exploded view.p12
22	1	614697	Tilt actuator LSCT	Vérin de tilt LSCT	
23	4	322946	Tilt sliding tray	Chariot coulissant tilt	
24	8	VIS-CHC6X16ZN	Hexagon socket head cap screw M6x16	Vis tête cylindrique M6x16 six pans creux	
25	2	323513	Spacer Ø8xØ12x8.9mm	Entretoise Ø8xØ12x8.9mm	
26	4	614677	Collar bearing 12x14x4mm	Coussinet à collerette 12x14x4mm	
27	2		Tilt connecting rod	Bielle tilt	NFS 324142
28	2	L0007112FO	Collar bearing 12x14x7mm	Coussinet à collerette 12x14x7mm	
29	2	324957	Kit tilt connecting rod	Kit bielle tilt	
30	4	324136	Tilt guiding washer	Rondelle guide tilt	
31	2	324137	Tilt guiding spacer	Entretoise guide tilt	
32	2	614685	Spring retaining ring 10mm	Anneau de sureté 10mm	
33	1	324138	Tilt guiding axis	Axe guide tilt	
34	1		Framework	Chassis	See exploded view p.10
35	4	RON-M8ZN	Plain washer Ø8	Rondelle plate M Ø8	
36	2	ECR-HFR8ZN	Prevailing torque type hexagon nut M8	Ecrou frein M8	
37	1	325443	Electrical harness power module R-NET LSCT	Faisceau power module R-NET LSCT	
38	2	O5004XXXFO	Battery 12V 70Ah	Batterie 12V 70Ah	
39	3	VIS-FHC5X12ZN	Hexagon socket countersunk head screw M5x12	Vis tête fraisée M5x12 six pans creux	
40	2	613732	Hexagon socket countersunk head screw M4x35	Vis tête fraisée M4x35 six pans creux	
41	4	VIS-CHC6X10ZN	Hexagon socket head cap screw M6x10	Vis tête cylindrique M6x10 six pans creux	
42	3	RON-M5ZN	Plain washer Ø5	Rondelle plate M Ø5	

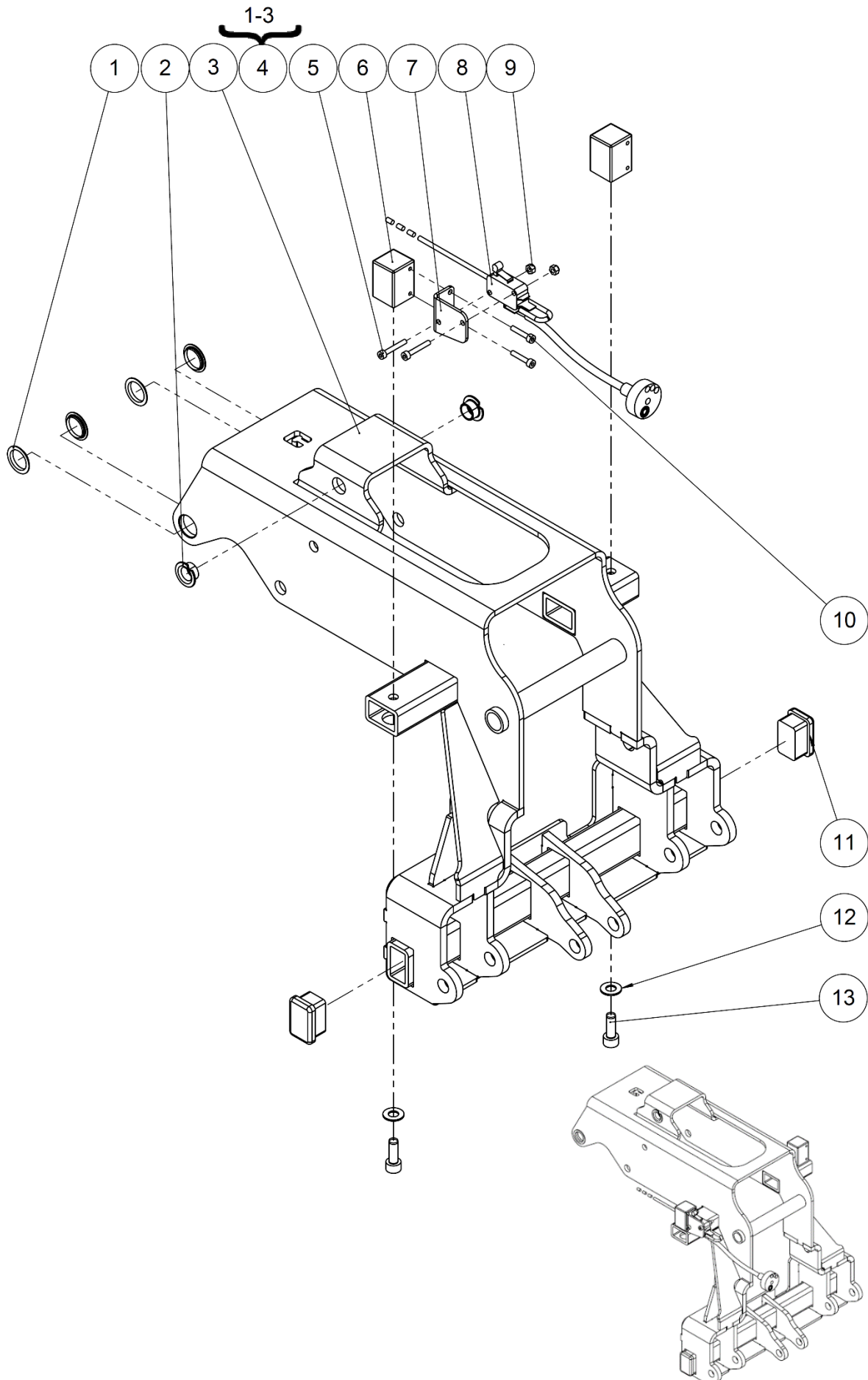




Framework and tilt seat base

Framework

Framework					
Pos	Qty	Stock Code	Description En	Description Fr	Remark
1	1	323405	Rear tilt actuator fixation axis	Axe de fixation arrière vérin de tilt	
2	1	614584	Washer $\varnothing 13 \times \varnothing 24 \times 2,5 \text{mm}$	Rondelle $\varnothing 13 \times \varnothing 24 \times 2,5 \text{mm}$	
3	1	614585	Washer $\varnothing 10 \times \varnothing 24 \times 4 \text{mm}$	Rondelle $\varnothing 10 \times \varnothing 24 \times 4 \text{mm}$	
4	2	324943	Guide rail with skate length 335mm	Rail de guidage et patin longueur 335mm	
5	4	VIS-FHC6X20ZN	Hexagon socket countersunk head screw M6x20	Vis tête fraisée M6x20 six pans creux	
6	6	600541	Hexagon socket countersunk head screw M6x16	Vis tête fraisée M6x16 six pans creux	
7	1	324528	Left bracket backcover	Platine support capot gauche	
8	8	RON-M6ZN	Plain washer $\varnothing 6$	Rondelle plate M $\varnothing 6$	
9	10	ECR-HFR6ZN	Prevailing torque type hexagon nut M6	Ecrou frein M6	
10	4	VIS-CHC6X10ZN	Hexagon socket head cap screw M6x10	Vis tête cylindrique M6x10 six pans creux	
11	1	614813	Left plastic cover battery connector	Protection plastique de connecteur batterie gauche	
12	2	324141	Tilt locking pin	Pion de blocage tilt	
13	2	RON-M5ZN	Plain washer $\varnothing 5$	Rondelle plate M $\varnothing 5$	
14	2	VIS-CHC5X12ZN	Hexagon socket head cap screw M5x12	Vis tête cylindrique M5x12 six pans creux	
15	1	614684	Right plastic cover battery connector	Protection plastique de connecteur batterie droite	
16	1	322990	Framework	Chassis	
17	1	324529	Right bracket backcover	Platine support capot droite	





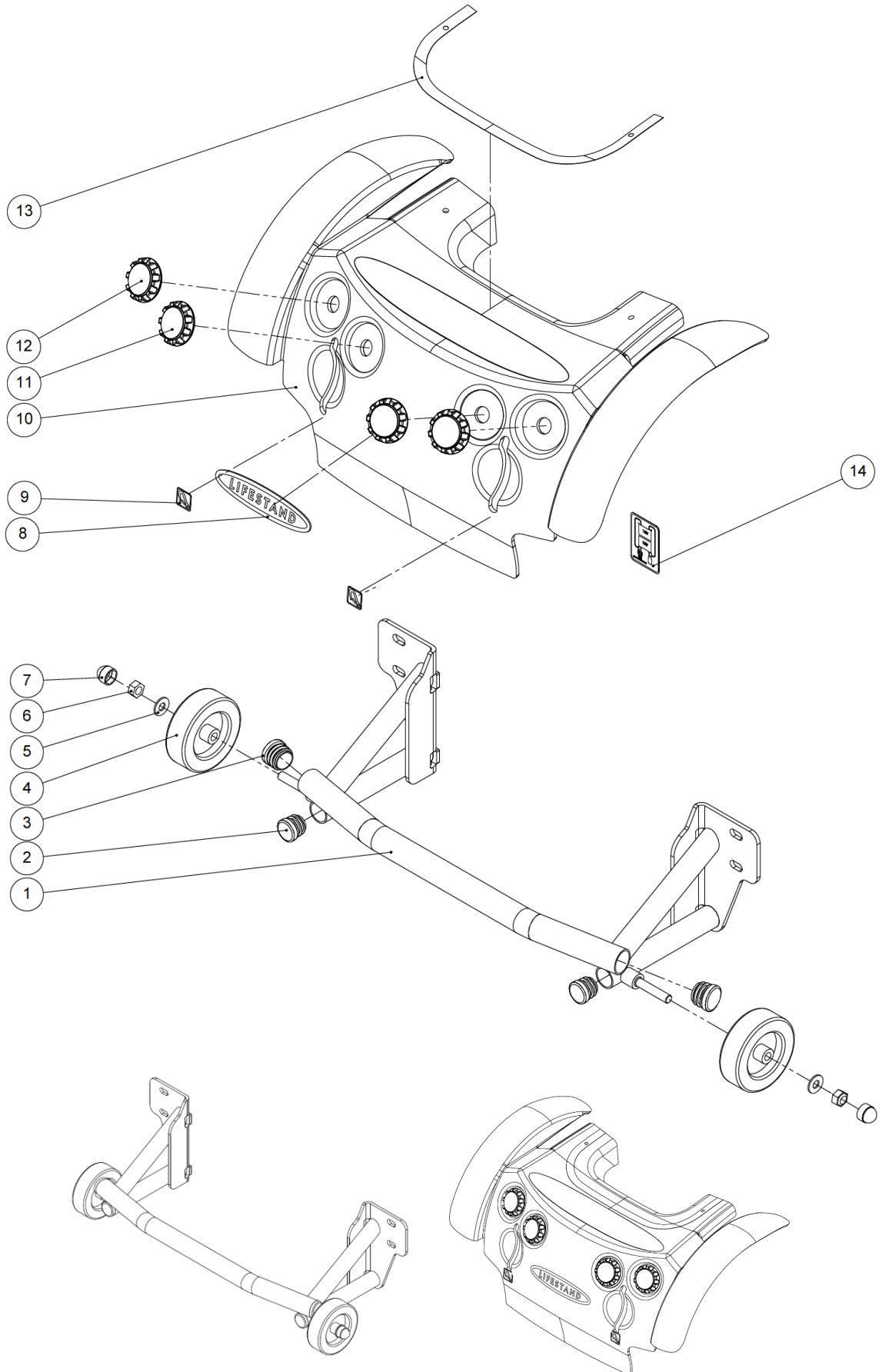
Framework and tilt seat base

Tilt seat base

Tilt seat base					
Pos	Qty	Stock Code	Description En	Description Fr	Remark
1	4	<b>614594</b>	Collar bearing 15x16x2,5mm	Coussinet à collerette 15x16x2,5mm	
2	2	<b>L0007100FO</b>	Collar bearing 10x12x7mm	Coussinet à collerette 10x12x7mm	
3	1		Tilt seat base	Assise de tilt	NOT FOR SALE 322977
4	1	<b>326647</b>	Kit tilt seat base	Kit assise de tilt	
5	2	<b>VIS-CHC3X20ZN</b>	Hexagon socket head cap screw M3x20	Vis tête cylindrique M3x20 six pans creux	
6	2	<b>325563</b>	Seat stopper	Butée d'assise	
7	1	<b>324684</b>	Stand-up sensor plate	Plaque support capteur de verticalisation	
8	1	<b>325466</b>	Electrical harness stand-up switch and backrest	Faisceau de capteur de verticalisation et de dossier	
9	2	<b>ECR-HFR3ZN</b>	Prevailing torque type hexagon nut M3	Ecrou frein M3	
10	2	<b>VIS-CHC3X16ZN</b>	Hexagon socket head cap screw M3x16	Vis tête cylindrique M3x16 six pans creux	
11	2	<b>614776</b>	Black cap for rectangular tube 30x20mm	Bouchon plastique noir pour tube rectangle 30x20mm	
12	2	<b>RON-M6ZN</b>	Plain washer Ø6	Rondelle plate M Ø6	
13	2	<b>VIS-CHC6X16ZN</b>	Hexagon socket head cap screw M6x16	Vis tête cylindrique M6x16 six pans creux	

Rolling base

Back cover & anti tipper wheels



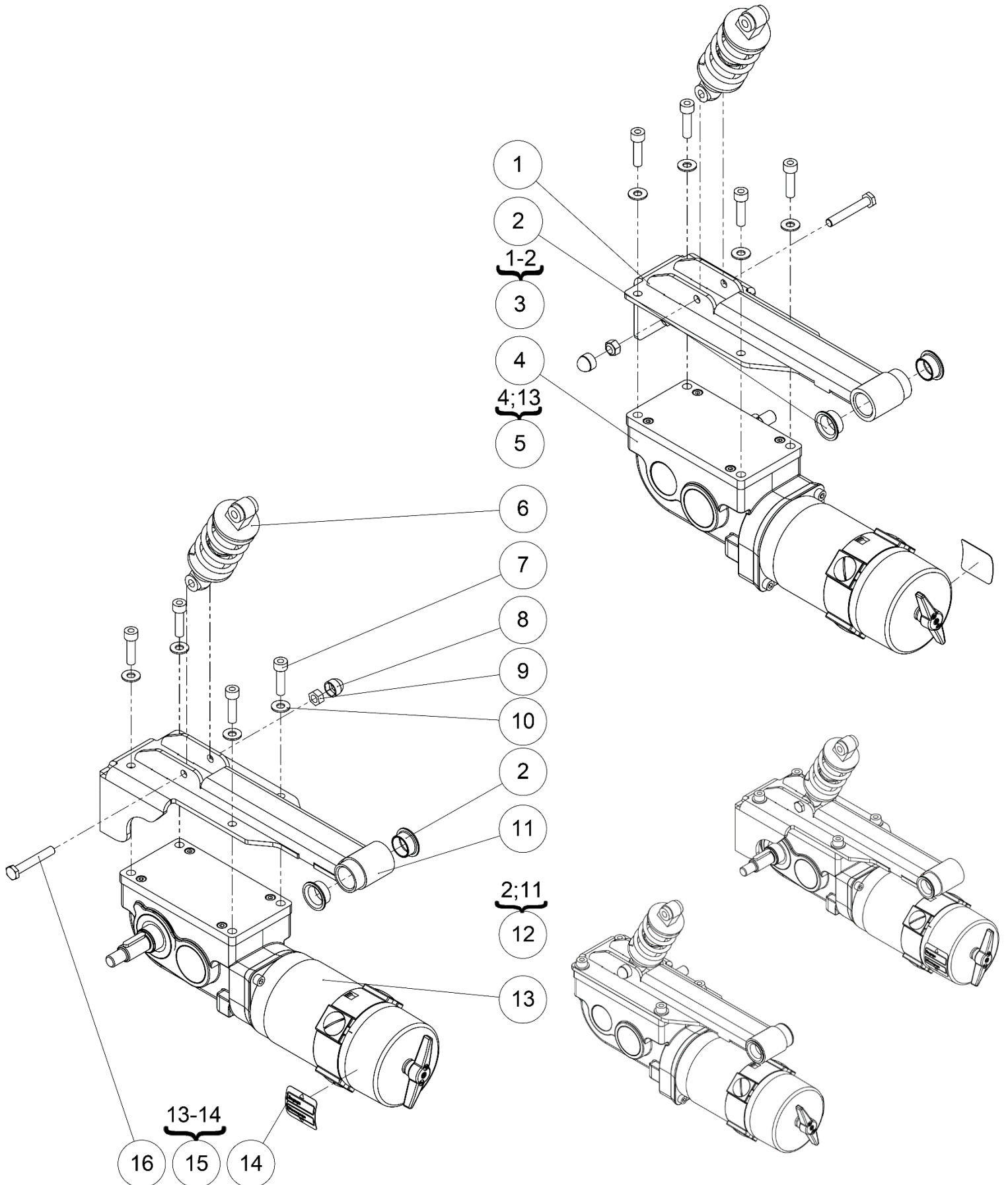


Rolling base

Back cover & anti tipper wheels

**Back cover & anti tipper wheels**

Pos	Qty	Stock Code	Description En	Description Fr	Remark
1	1	322969	Underride guard	Barre anti-encastrement	
2	2	L0005221FO	Black cap for tube Ø22.1mm	Bouchon plastique noir pour tube Ø22.1mm	
3	2	L0005254FO	Black cap for tube Ø25.4mm	Bouchon plastique noir pour tube Ø25.4mm	
4	2	C7075XXXFO	Anti-tipper wheel Ø75x24mm	Roue anti-basculé Ø75x24mm	
5	2	RON-M8ZN	Plain washer Ø8	Rondelle plate M Ø8	
6	2	ECR-HFR8ZN	Prevailing torque type hexagon nut M8	Ecrou frein M8	
7	2	C0214XXXFO	Nut cap M8	Cache écrou M8	
8	1	325492	Sticker Lifestand	Sticker Lifestand	
9	2	325510	Sticker hook	Sticker crochet	
10	1	324405	Back cover	Capot	Without stickers
11	2	613829	Light rear LED	Feu arrière LED	
12	2	613830	Light rear LED turn signal	Clignotant arrière LED	
13	1	325487	Sticker white back cover	Sticker blanc capot	
		325488	Sticker black back cover	Sticker noir capot	
		325489	Sticker blue back cover	Sticker bleu capot	
		325490	Sticker red back cover	Sticker rouge capot	
		325491	Sticker bronze back cover	Sticker bronze capot	
14	1	326616	Sticker electrical diagram	Sticker schéma électrique	



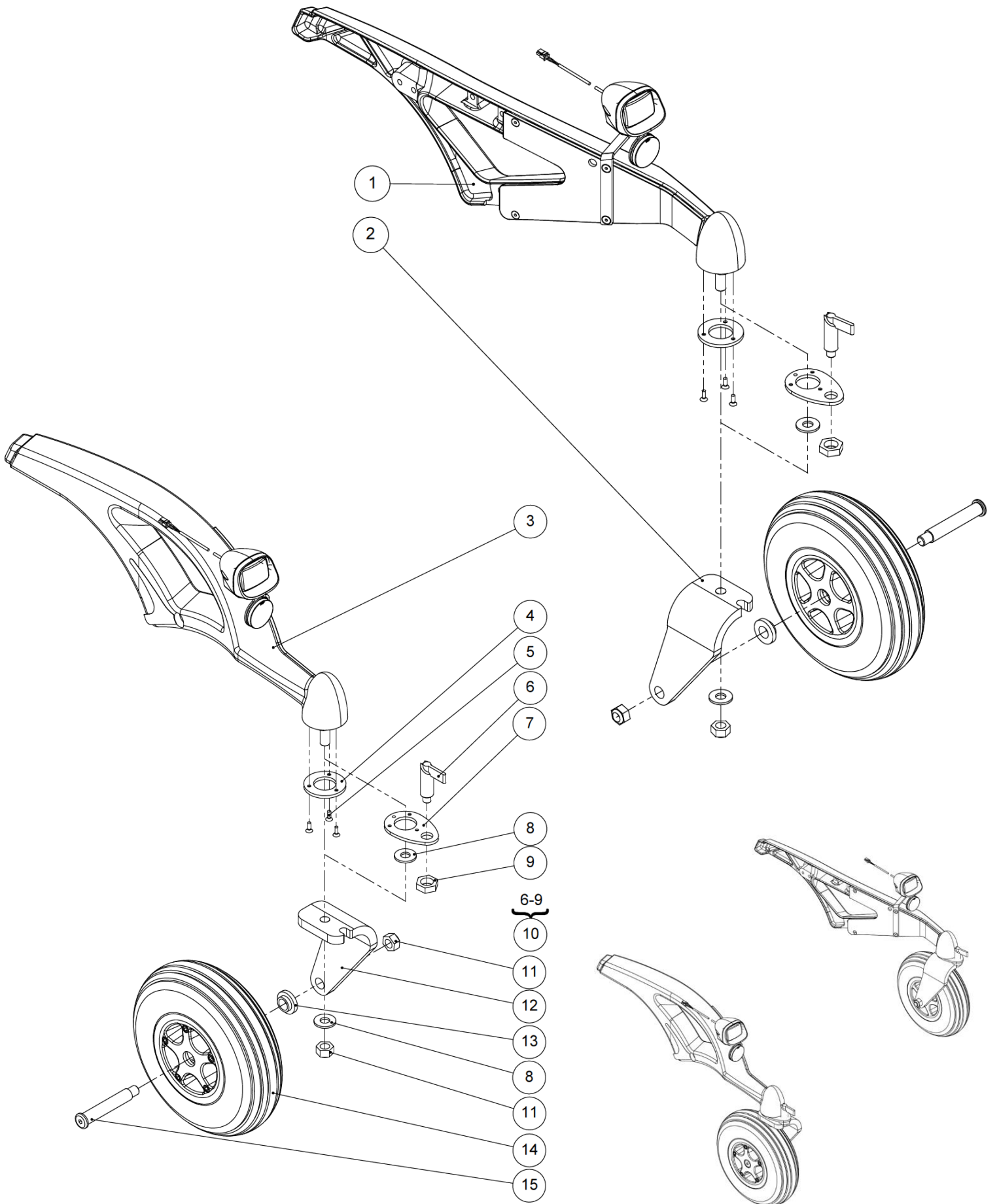


Rolling base

Engine and support right / left

## Engine and support right / left

Pos	Qty	Stock Code	Description En	Description Fr	Remark
1	1		Left engine support	Support moteur gauche	NOT FOR SALE 324527
2	4	MP020XXXFO	Collar bearing 20x23x10mm	Coussinet à collerette 20x23x10mm	
3	1	324963	Kit left engine support	Kit support moteur gauche	
4	1		Left motor 10Km/h	Moteur gauche 10Km/h	NOT FOR SALE 614741
			Left motor 7,5Km/h	Moteur gauche 7,5Km/h	NOT FOR SALE 614739
5	1	326977 326979	Kit left motor 10Km/h Kit left motor 7,5Km/h	Kit moteur gauche 10Km/h Kit moteur gauche 7,5Km/h	
6	2	O1030XXXFO	Shock absorber 125mm	Amortisseur 125mm	
7	8	VIS-CHC8X30ZN	Hexagon socket head cap screw M8x30	Vis tête cylindrique M8x30 six pans creux	
8	2	C0214XXXFO	Nut cap M8	Cache écrou M8	
9	2	ECR-HFR8ZN	Prevailing torque type hexagon nut M8	Ecrou frein M8	
10	8	RON-M8ZN	Plain washer Ø8	Rondelle plate M Ø8	
11	1		Right engine support	Support moteur droit	NOT FOR SALE 324525
12	1	324962	Kit right engine support	Kit support moteur droit	
13	1		Right motor 10Km/h	Moteur droit 10Km/h	NOT FOR SALE 614740
			Right motor 7,5Km/h	Moteur droit 7,5Km/h	NOT FOR SALE 614738
14	2	325511	Sticker motor	Sticker moteur	
15	1	326978 326980	Kit right motor 10Km/h Kit right motor 7,5Km/h	Kit moteur droit 10Km/h Kit moteur droit 7,5Km/h	
16	2	MP006XXXFO	Specific screw N5	Vis spécifique N5	

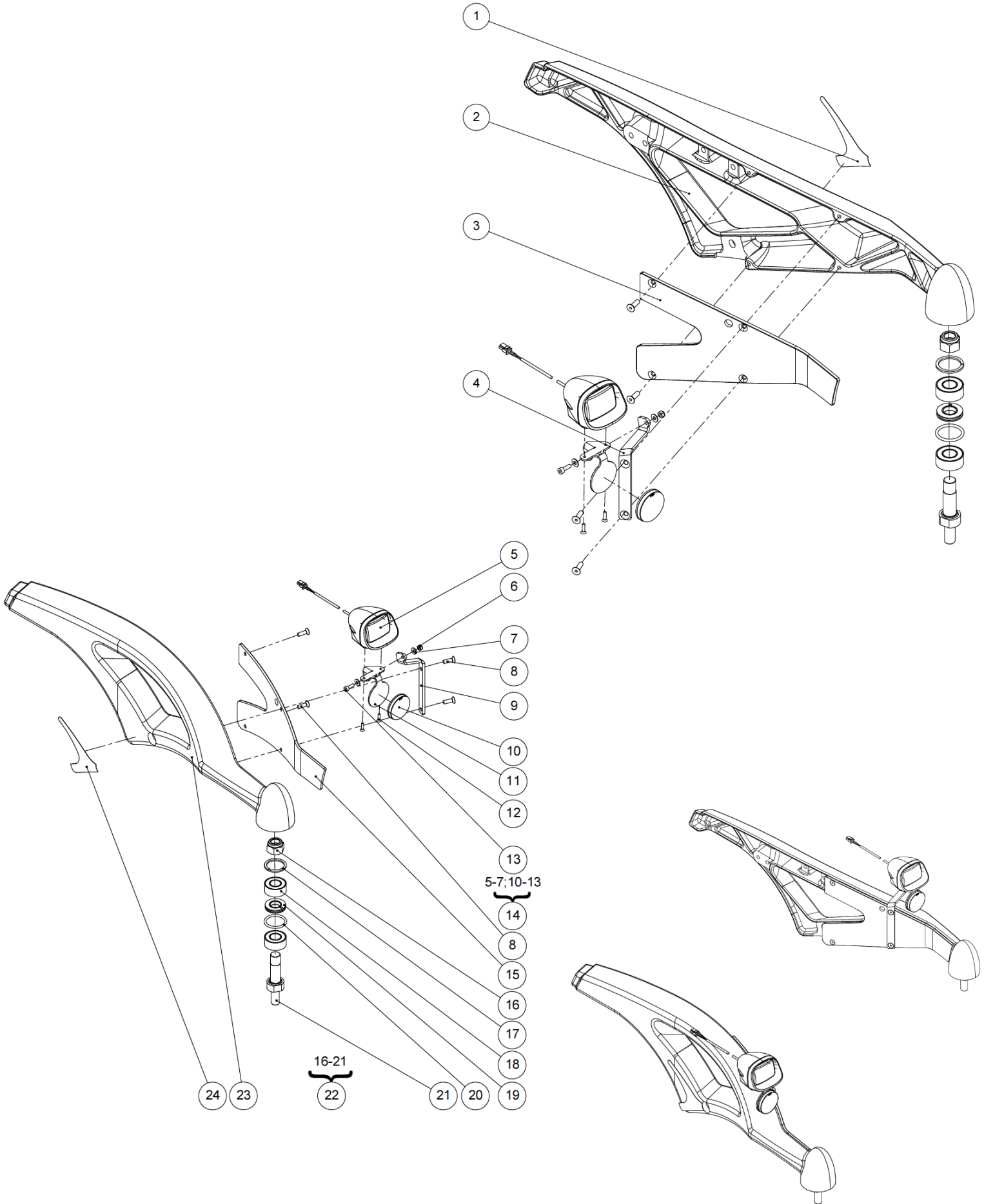


## Chassis &amp; front wheel right / left

Pos	Qty	Stock Code	Description En	Description Fr	Remark
1	1		Aluminium frame left	Chassis aluminim gauche	See exploded view p.20
2	1	<b>O7001LXXPN</b>	Left wheelfork one arm	Fourche monobras gauche	
3	1		Aluminium frame right	Chassis aluminim droit	See exploded view p.20
4	2	<b>O7002XXXZN</b>	Locking washer	Rondelle de blocage	
5	6	<b>VIS-FHC4X12ZN</b>	Hexagon socket countersunk head screw M4x12	Vis tête fraisée M4x12 six pans creux	
6	2	<b>O1008XXXFO</b>	Anti-rotate lock	Verrou indexage anti-rotation	
7	2	<b>O1007XXXFO</b>	Anti-rotate locking washer	Rondelle de blocage anti-rotation	Used for kit anti-rotate locking front fork instead of O7002XXXZN
8	2	<b>RON-M12ZN</b>	Plain washer Ø12	Rondelle plate M Ø12	
9	2	<b>O1008EXXFO</b>	Locking nut	Contre-écrou de verrou	
10	2	<b>O1009XXXFO</b>	Kit anti-rotate locking front fork (pair)	Kit anti-rotation fourche avant (paire)	PAIR
11	4	<b>ECR-HFR12ZN</b>	Prevailing torque type hexagon nut M12	Ecrou frein M12	
12	1	<b>O7001RXXPN</b>	Right wheelfork one arm	Fourche monobras droite	
13	2	<b>O7003XXXZN</b>	Front wheel spacer	Entretoise roue avant	
14	2	<b>O7008XXXFO</b>	Wheel 2.80/2.50-4"	Roue 2.80/2.50-4"	
15	2	<b>O7005XXXZN</b>	Front wheel axle	Axe roue avant	

Chassis & front wheel right / left

Aluminium frame right / left



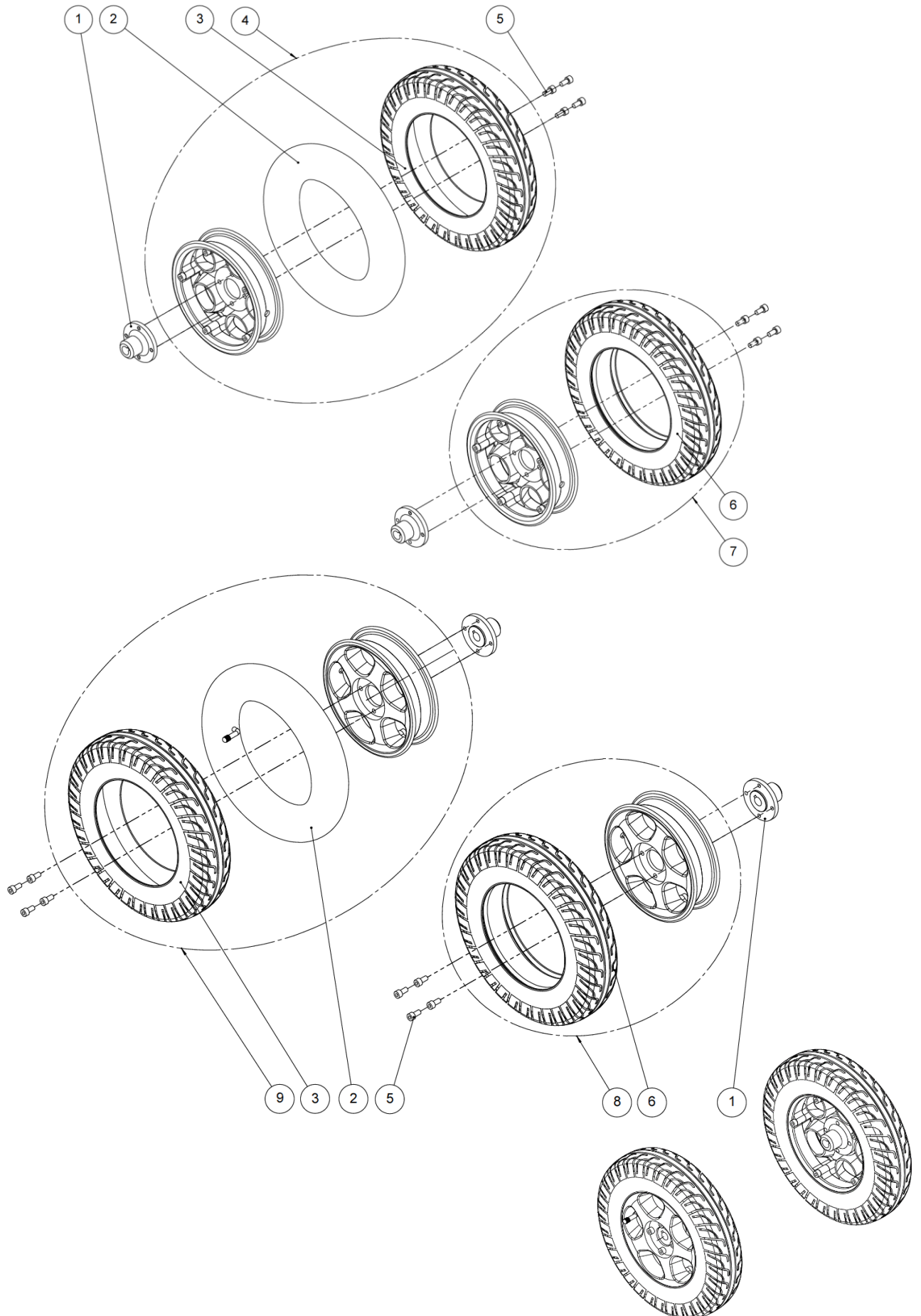


**Aluminium frame right / left**

Pos	Qty	Stock Code	Description En	Description Fr	Remark
1	1	<b>325744</b>	Reflector sticker left	Sticker reflecteur gauche	
2	1	<b>O1000LXXGW</b>	Left moulded white frame	Châssis gauche blanc moulé	Without reflector (pos.1)
		<b>O1000LXXAN</b>	Left moulded black frame	Châssis gauche noir moulé	
		<b>O1000LXXAB</b>	Left moulded bronze frame	Châssis gauche bronze moulé	
		<b>O1000LXXPB</b>	Left moulded blue frame	Châssis gauche bleu moulé	
		<b>O1000LXXPR</b>	Left moulded red frame	Châssis gauche rouge moulé	
3	1	<b>O1004LXXFO</b>	Left front casing	Carter avant gauche	
4	1	<b>O1005LXXPN</b>	Left light holder	Support phare gauche	
5	2	<b>320028</b>	Light front LED	Phare à LED	
6	2	<b>ECR-HFR4ZN</b>	Prevailing torque type hexagon nut M4	Ecrou frein M4	
7	4	<b>RON-M4ZN</b>	Plain washer Ø4	Rondelle plate M Ø4	
8	8	<b>VIS-FHC5X16ZN</b>	Hexagon socket countersunk head screw M5x16	Vis tête fraisée M5x16 six pans creux	
9	1	<b>O1005RXXPN</b>	Right light holder	Support phare droit	
10	2	<b>612368</b>	Reflector white	Reflecteur blanc	
11	2	<b>321258</b>	Front light support	Support feu avant	
12	4	<b>600693</b>	Hexagon socket countersunk head screw M3x12	Vis tête fraisée M3x12 six pans creux	
13	2	<b>601184</b>	Hexagon socket head cap screw M4x12	Vis tête cylindrique M4x12 six pans creux	
14	2	<b>321571</b>	Kit front light LED	Kit feu avant à LED	One side
15	1	<b>O1004RXXFO</b>	Right front casing	Carter avant droit	
16	2	<b>614370</b>	Prevailing torque type hexagon nut M14	Ecrou frein M14	
17	2	<b>322115</b>	Bearing spacer	Entretoise de calage	If the depth of bearing housing is <b>32 mm</b> , don't use this bearing spacer
18	4	<b>614371</b>	Bearing 63002LLU	Roulement 63002LLU	
19	2	<b>321254</b>	Friction plate	Disque de friction	
20	2	<b>O7009XXXFO</b>	O-ring 26x3mm	Joint torique 26x3mm	
21	2	<b>322114</b>	Fork axle Ø15	Axe fourche Ø15	
22	1	<b>322344</b>	Kit fork axle reinforced version (pair)	Kit axe de fourche version renforcée (paire)	
23	1	<b>O1000RXXGW</b>	Right moulded white frame	Châssis droit blanc moulé	Without reflector (pos.24)
		<b>O1000RXXAN</b>	Right moulded black frame	Châssis droit noir moulé	
		<b>O1000RXXAB</b>	Right moulded bronze frame	Châssis droit bronze moulé	
		<b>O1000RXXPB</b>	Right moulded blue frame	Châssis droit bleu moulé	
		<b>O1000RXXPR</b>	Right moulded red frame	Châssis droit rouge moulé	
24	1	<b>325745</b>	Reflector sticker right	Sticker reflecteur droit	

Rolling base

Rear wheels



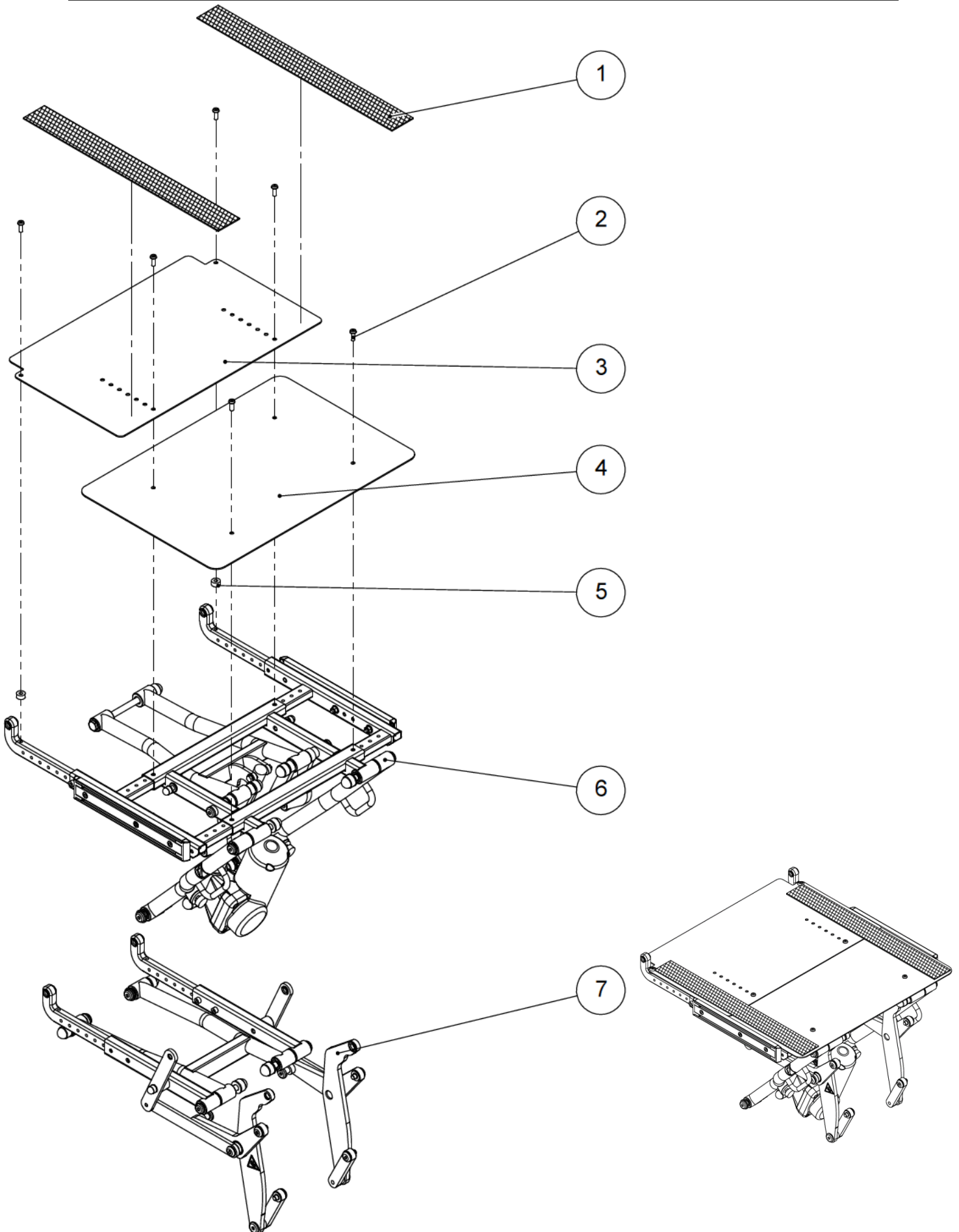


Rolling base

Rear wheels

Rear wheels					
Pos	Qty	Stock Code	Description En	Description Fr	Remark
1	4	<b>C7112XXXAI</b>	Hub	Moyeu	
2	2	<b>MP705XXXFO</b>	Tube 3.00-8"	Chambre à air 3.00-8"	
3	2	<b>MP704XXXFO</b>	Tyre 3.00-8"	Pneu 3.00-8"	
4	1	<b>C7110LGOFO</b>	Rear wheel 3.00-8" left – silver alu rim - inflatable	Roue arrière 3.00-8" gauche – jante alu - gonflable	
5	16	<b>VIS-CHC8X16ZN</b>	Hexagon socket head cap screw M8x16	Vis tête cylindrique M8x16 six pans creux	
6	2	<b>C7301FLEFO</b>	Solid tyre 3.00-8"	Pneu plein 3.00-8"	
7	1	<b>C7110LFLFO</b>	Rear wheel 3.00-8" left – silver alu rim - solid	Roue arrière 3.00-8" gauche – jante alu - bandage	
8	1	<b>C7110RFLFO</b>	Rear wheel 3.00-8" right – silver alu rim - solid	Roue arrière 3.00-8" droite – jante alu - bandage	
9	1	<b>C7110RGOFO</b>	Rear wheel 3.00-8" right – silver alu rim - inflatable	Roue arrière 3.00-8" droite – jante alu - gonflable	

Seat



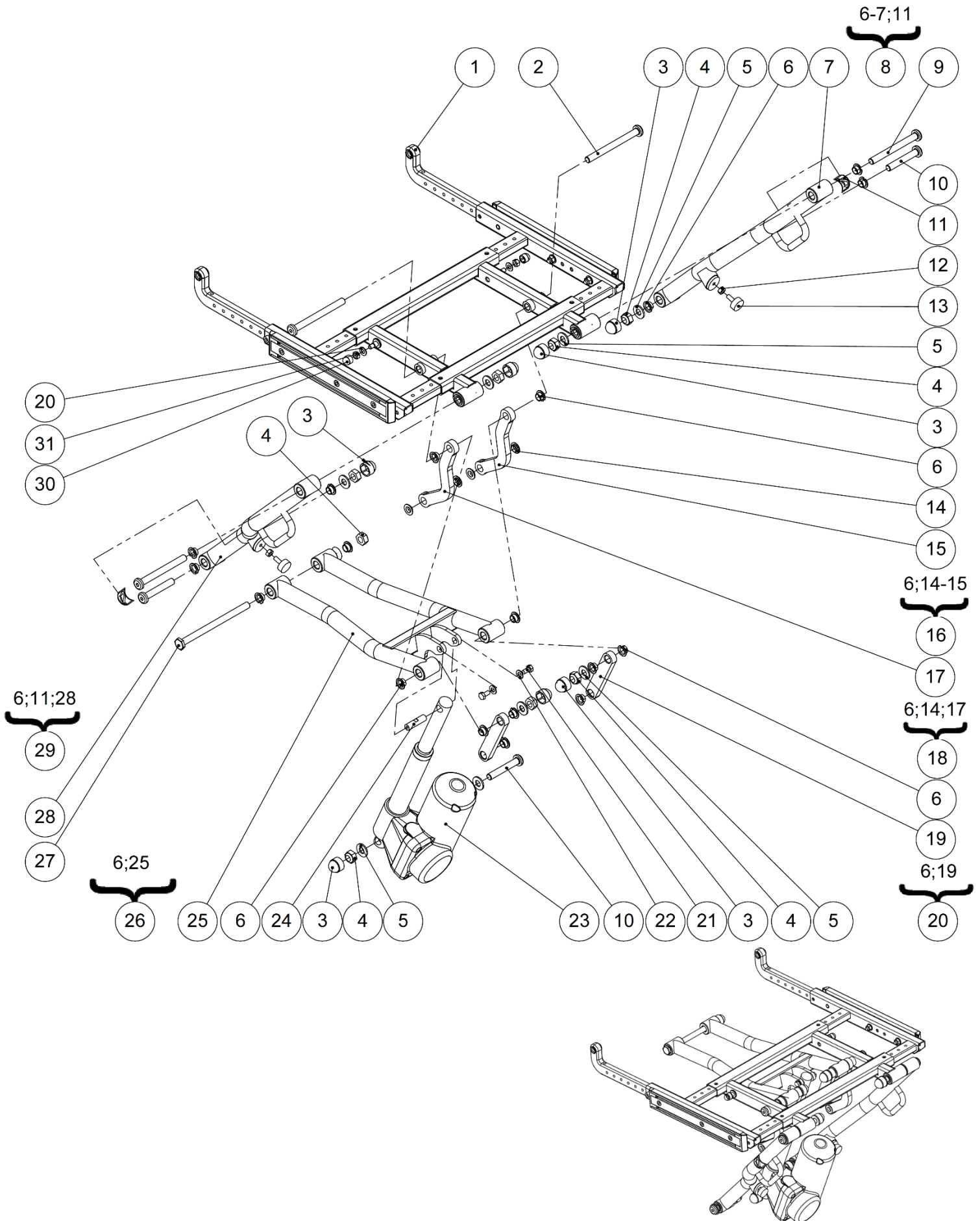




Seat

Seat					
Pos	Qty	Stock Code	Description En	Description Fr	Remark
1	0,04	<b>F1014XXXFO</b>	Black Velcro strap sticker 5 cm – velvet 25 m long	Velcro adhesive velours noir 5 cm – 25 m de long	
2	6	<b>VIS-CBHC6X16ZN</b>	Hexagon socket button head screw M6x16	Vis tête bombée M6x16 six pans creux	
3	1	<b>O2010X36PN</b>	Rear seat plate size 36 cm	Tôle arrière assise taille 36 cm	
		<b>O2010X40PN</b>	Rear seat plate size 40 cm	Tôle arrière assise taille 40 cm	
		<b>O2010X44PN</b>	Rear seat plate size 44 cm	Tôle arrière assise taille 44 cm	
		<b>O2010X48PN</b>	Rear seat plate size 48 cm	Tôle arrière assise taille 48 cm	
4	1	<b>O2011X36PN</b>	Front seat plate size 36 cm	Tôle avant assise taille 36 cm	
		<b>O2011X40PN</b>	Front seat plate size 40 cm	Tôle avant assise taille 40 cm	
		<b>O2011X44PN</b>	Front seat plate size 44 cm	Tôle avant assise taille 44 cm	
		<b>O2011X48PN</b>	Front seat plate size 48 cm	Tôle avant assise taille 48 cm	
5	2	<b>C1122XXXFO</b>	Spacer for cover	Entretoise de capot	Not used if seat depth in position 1
6	1		Upper seat	Assise supérieure	See exploded view p.26
7	1		Lower seat	Assise inférieure	See exploded view p.30

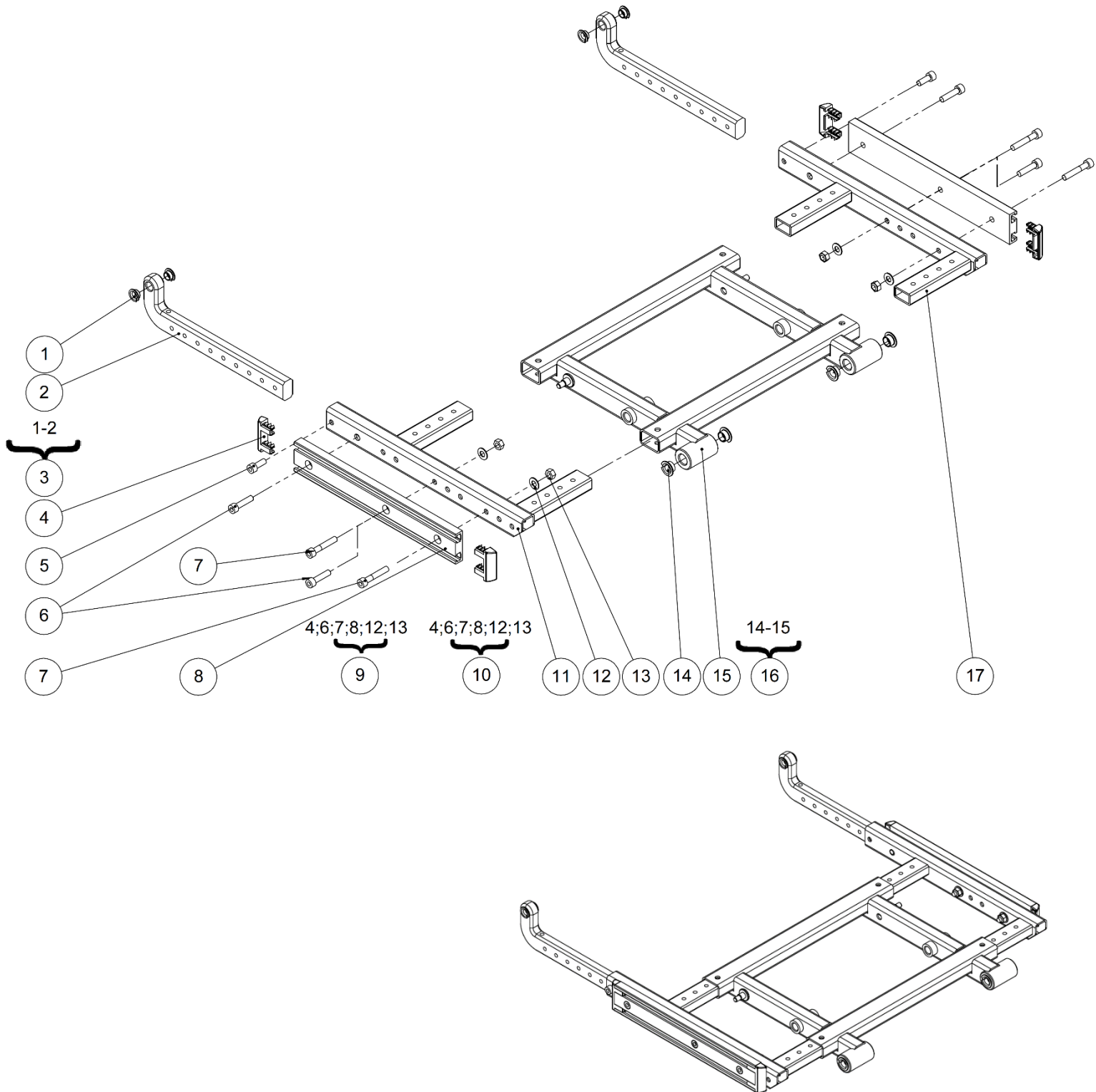
Seat



Seat

Upper seat

Upper seat					
Pos	Qty	Stock Code	Description En	Description Fr	Remark
1	1		Upper seat tube	Tube d'assise supérieure	See exploded view p.28
2	2	<b>O2085XXXZN</b>	Axle n°2	Axe n°2	
3	7	<b>C0216XXXFO</b>	Nut cap M10	Cache écrou M10	
4	8	<b>600256</b>	Hexagon nut M10	Ecrou M10	
5	6	<b>RON-M10ZN</b>	Plain washer Ø10	Rondelle plate M Ø10	
6	18	<b>L0007100FO</b>	Collar bearing 10x12x7mm	Coussinet à collerette 10x12x7mm	
7	1		Front stand-up tube left	Tube de verticalisation avant gauche	NOT FOR SALE 325271
8	1	<b>326653</b>	Kit front stand-up tube left	Kit tube de verticalisation avant gauche	
9	2	<b>O2084XXXZN</b>	Axle n°3	Axe n°3	
10	4	<b>O1082XXXZN</b>	Axle n°9	Axe n°9	
11	2	<b>325510</b>	Sticker hook	Sticker crochet	
12	2	<b>ECR-H6ZN</b>	Hexagonal nut M6	Ecrou M6	
13	2	<b>614742</b>	Stopper radiaflex M6x16,5	Butée radiaflex M6x16,5	
14	4	<b>614681</b>	Collar bearing 10x12x4mm	Coussinet à collerette 10x12x4mm	
15	1		Connecting rod n°4	Bielle n°4	NOT FOR SALE O2008XXXAI
16	1	<b>324987</b>	Kit left connecting rod N°4	Kit bielle N°4 gauche	
17	1		Connecting rod n°4	Bielle n°4	NOT FOR SALE O2008XXXAI
18	1	<b>324989</b>	Kit right connecting rod N°4	Kit bielle N°4 droite	
19	2		Connecting rod n°1	Bielle n°1	NOT FOR SALE O2009XXXAI
20	2	<b>324976</b>	Kit connecting rod n°1	Kit bielle n°1	
21	2	<b>VIS-H6X12ZN</b>	Hexagon head screw M6x12	Vis tête hexagonale M6x12	
22	4	<b>RON-M6ZN</b>	Plain washer Ø6	Rondelle plate M Ø6	
23	1	<b>614698</b>	Actuator LA30 stroke 150mm	Vérin LA30 course 150mm	
24	1	<b>323416</b>	Fixation axis stand-up actuator	Axe de fixation vérin de verticalisation	
25	1		Upper stand-up spindle	Support supérieur de verticalisation	NOT FOR SALE 322958
26	1	<b>324974</b>	Kit upper stand-up spindle	Kit support supérieur de verticalisation	
27	1	<b>C0206XXXZN</b>	Axle Ø10x146x17 mm	Axe Ø10x146x17 mm	
28	1		Front stand-up tube right	Tube de verticalisation avant droit	NOT FOR SALE 322966
29	1	<b>324991</b>	Kit front stand-up tube right	Kit tube de verticalisation avant droit	
30	2	<b>C0215XXXFO</b>	Nut cap M6	Cache écrou M6	
31	2	<b>ECR-HFR6ZN</b>	Prevailing torque type hexagon nut M6	Ecrou frein M6	

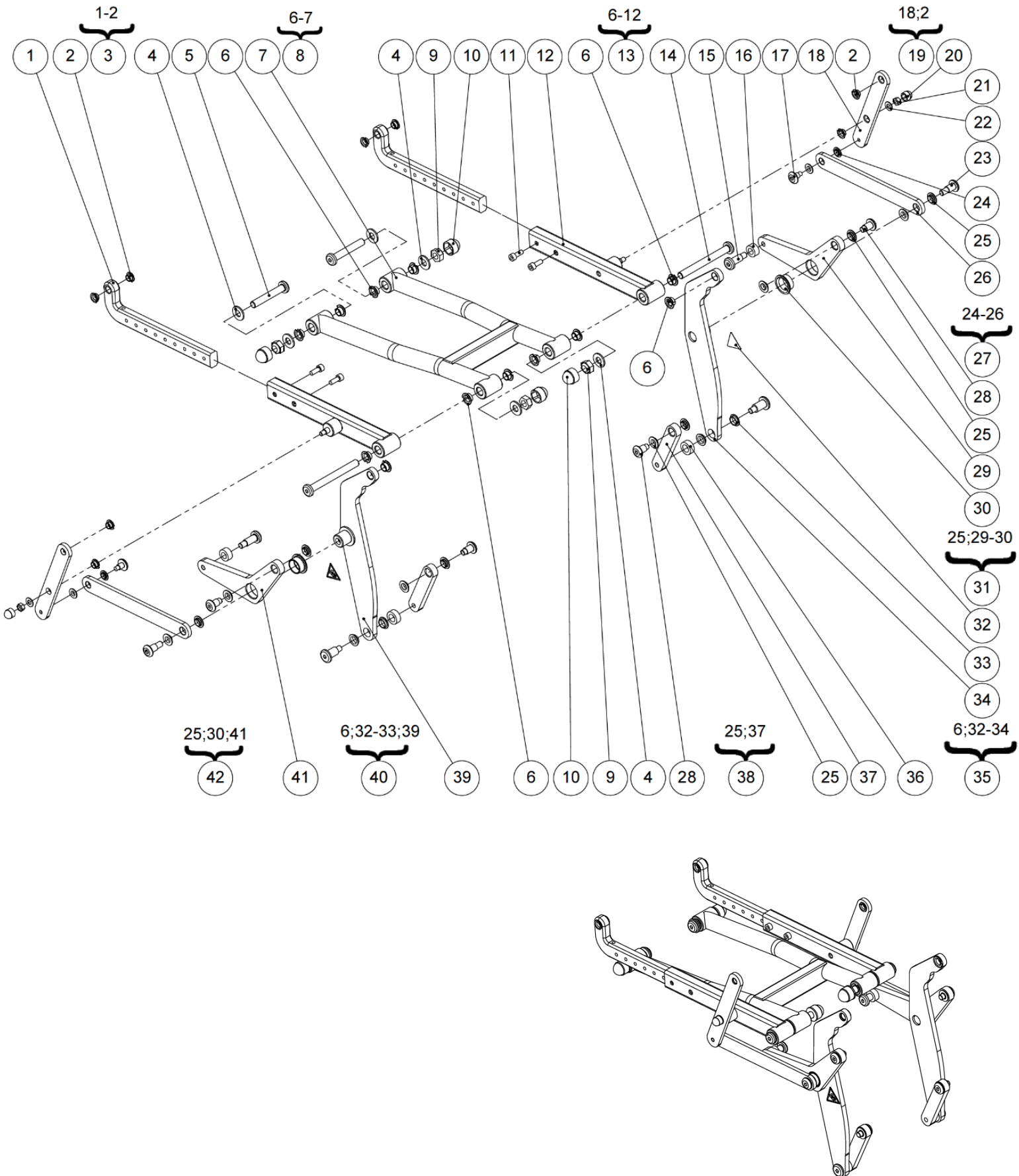




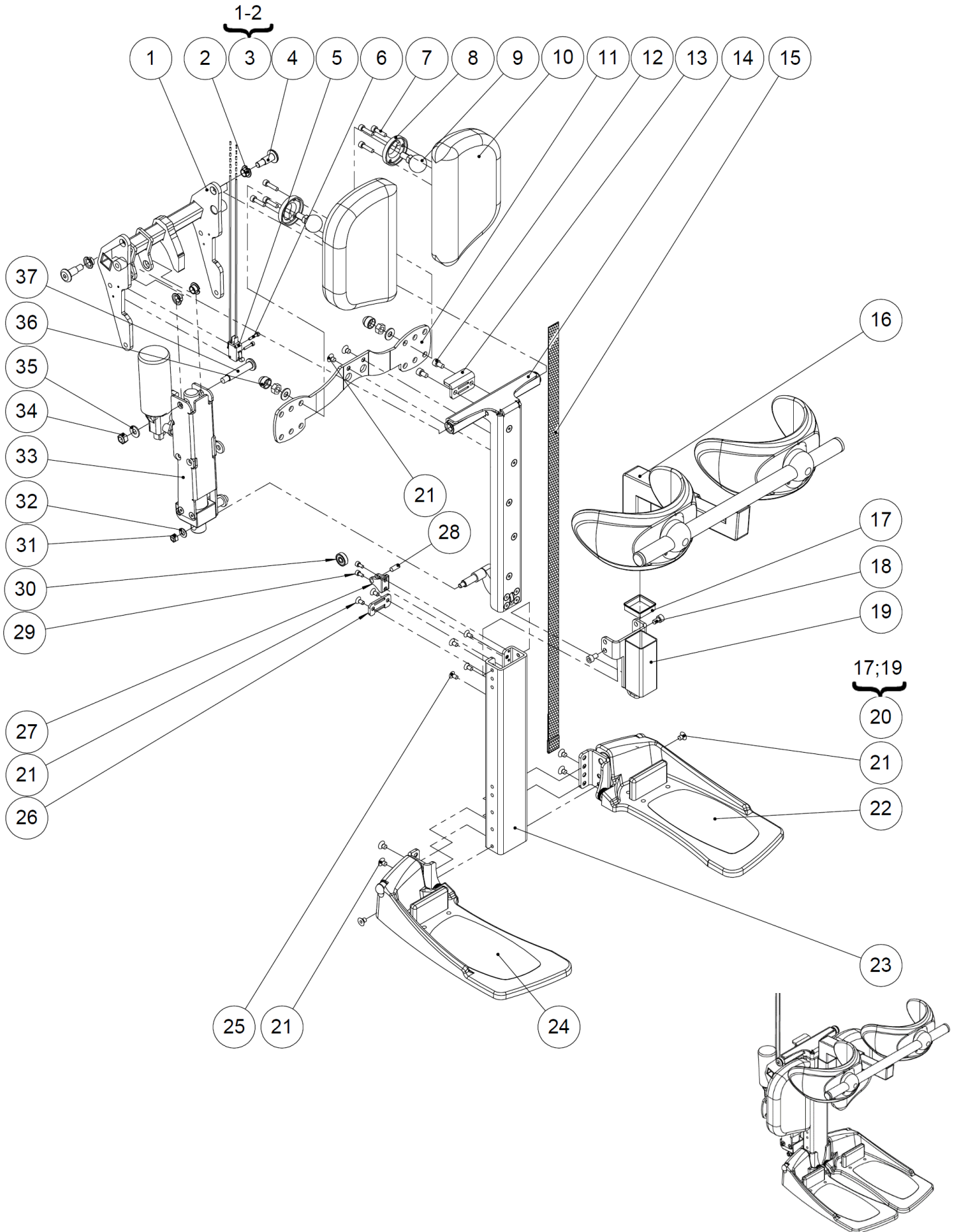
Upper seat

Upper seat tube

Upper seat tube					
Pos	Qty	Stock Code	Description En	Description Fr	Remark
1	4	<b>L0007080FO</b>	Collar bearing 8x10x5,5mm	Coussinet à collerette 8x10x5,5mm	
2	2		Seat slider	Coulisseau d'assise	NOT FOR SALE O2006XXXAI
3	2	<b>324978</b>	Kit seat slider	Kit coulisseau d'assise	
4	4	<b>315427</b>	Plastic plug 11x40mm	Bouchon plastique 11x40mm	
5	2	<b>VIS-CHC6X16ZN</b>	Hexagon socket head cap screw M6x16	Vis tête cylindrique M6x16 six pans creux	
6	2	<b>VIS-CHC6X25ZN</b>	Hexagon socket head cap screw M6x25	Vis tête cylindrique M6x25 six pans creux	For seat depth 43 to 53cm
7	4	<b>VIS-CHC6X35ZN</b>	Hexagon socket head cap screw M6x35	Vis tête cylindrique M6x35 six pans creux	For seat depth 41cm
8	4	<b>VIS-CHC6X35ZN</b>	Hexagon socket head cap screw M6x35	Vis tête cylindrique M6x35 six pans creux	For seat depth 43 to 53cm
9	2	<b>321235</b>	UNITRACK bracket Lg250mm	Rail UNITRACK Lg250 mm	For seat depth 41cm
10	1	<b>321467</b>	Kit UNITRACK seat depth 41cm (pair)	Kit rail UNITRACK profondeur 41cm (paire)	
11	1	<b>321505</b>	Kit UNITRACK seat depth 43cm to 53cm (pair)	Kit rail UNITRACK profondeur 43cm à 53cm (paire)	
12	1	<b>O2002RXXPN</b>	Right upper tube	Tube supérieur droit	
13	4	<b>RON-M6ZN</b>	Plain washer Ø6	Rondelle plate M Ø6	For seat depth 43 to 53cm
14	2	<b>RON-M6ZN</b>	Plain washer Ø6	Rondelle plate M Ø6	For seat depth 41cm
15	4	<b>ECR-HFR6ZN</b>	Prevailing torque type hexagon nut M6	Ecrou frein M Ø6	For seat depth 43 to 53cm
16	2	<b>ECR-HFR6ZN</b>	Prevailing torque type hexagon nut M6	Ecrou frein M Ø6	For seat depth 41cm
17	4	<b>L0007100FO</b>	Collar bearing 10x12x7mm	Coussinet à collerette 10x12x7mm	
18	1		Upper seat tube	Tube d'assise supérieure	NOT FOR SALE 324717
19	1	<b>324977</b>	Kit upper seat tube	Kit tube d'assise supérieure	
20	1	<b>O2002LXXPN</b>	Left upper tube	Tube supérieur gauche	



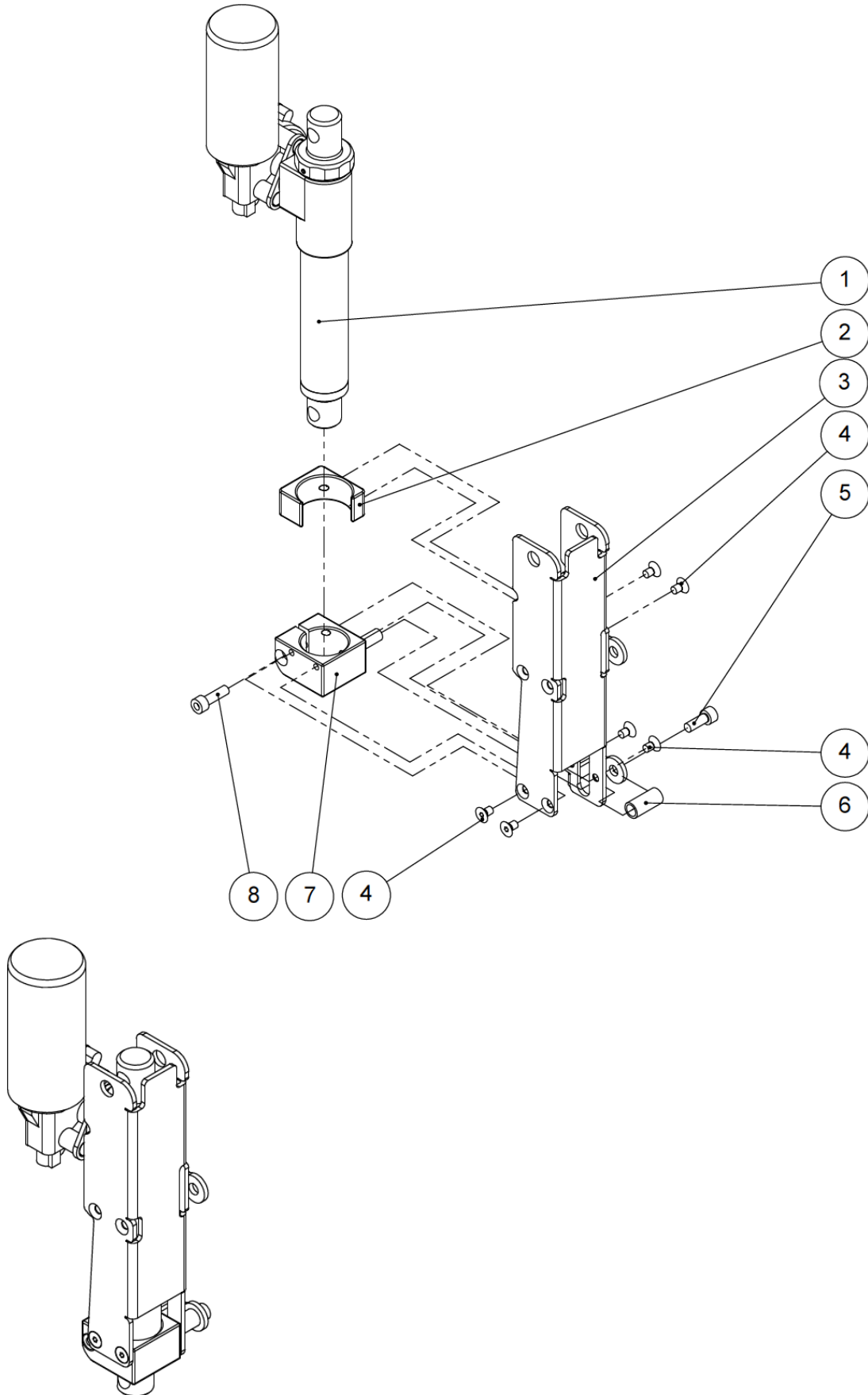
Lower seat					
Pos	Qty	Stock Code	Description En	Description Fr	Remark
1	2		Seat slider	Coulisseau d'assise	NOT FOR SALE O2006XXXAI
2	8	<b>L0007080FO</b>	Collar bearing 8x10x5,5mm	Coussinet à collerette 8x10x5,5mm	
3	2	<b>324978</b>	Kit seat slider	Kit coulisseau d'assise	
4	6	<b>RON-M10ZN</b>	Plain washer Ø10	Rondelle plate M Ø10	
5	2	<b>O1082XXXZN</b>	Axle n°9	Axe n°9	
6	12	<b>L0007100FO</b>	Collar bearing 10x12x7mm	Coussinet à collerette 10x12x7mm	
7	1		Lower stand-up spindle	Support inférieur de verticalisation	NOT FOR SALE 322964
8	1	<b>324975</b>	Kit lower stand-up spindle	Kit support inférieur de verticalisation	
9	4	<b>ECR-HFR10ZN</b>	Prevailing torque type hexagon nut M10	Ecrou frein M10	
10	4	<b>C0216XXXFO</b>	Nut cap M10	Cache écrou M10	
11	4	<b>VIS-CHC6X16ZN</b>	Hexagon socket head cap screw M6x16	Vis tête cylindrique M6x16 six pans creux	
12	2		Lower seat tube	Tube d'assise inférieure	NOT FOR SALE 324713
13	2	<b>324980</b>	Kit lower seat tube	Kit tube d'assise inférieure	
14	2	<b>O2084XXXZN</b>	Axle n°3	Axe n°3	
15	2	<b>325318</b>	Upper screw connecting rod n°4	Vis bielle supérieure n°4	
16	2	<b>325319</b>	Spacer Ø10xØ18x8,4mm	Entretoise Ø10xØ18x8,4mm	
17	2	<b>324841</b>	Legrest connecting rod screw	Vis bielle jambier	
18	2		Plate legrest link connecting rod	Plaque support bielle jambier	NOT FOR SALE 324730
19	2	<b>324983</b>	Kit plate legrest link connecting rod	Kit plaque support bielle jambier	
20	2	<b>C0215XXXFO</b>	Nut cap M6	Cache écrou M6	
21	2	<b>ECR-HFR6ZN</b>	Prevailing torque type hexagon nut M6	Ecrou frein M6	
22	2	<b>RON-M6ZN</b>	Plain washer Ø6	Rondelle plate M Ø6	
23	2	<b>324853</b>	Upper screw legrest connecting rod	Vis supérieure bielle jambier	
24	4	<b>614679</b>	Collar bearing 8x10x3mm	Coussinet à collerette 8x10x3mm	
25	12	<b>614681</b>	Collar bearing 10x12x4mm	Coussinet à collerette 10x12x4mm	
26	2		Legrest connecting rod stand-up	Bielle de verticalisation jambier	NOT FOR SALE 324842
27	2	<b>325001</b>	Kit legrest connecting rod stand-up	Kit bielle de verticalisation jambier	
28	4	<b>324852</b>	Lower screw legrest connecting rod	Vis inférieure bielle jambier	
29	1		Connecting rod	Bielle	NOT FOR SALE 325272
30	2	<b>MP020XXXFO</b>	Collar bearing 20x23x10mm	Coussinet à collerette 20x23x10mm	
31	2	<b>324988</b>	Kit left connecting rod	Kit bielle gauche	
32	2	<b>325508</b>	Sticker pinching points	Sticker pince doigts	
33	4	<b>614677</b>	Collar bearing 12x14x4mm	Coussinet à collerette 12x14x4mm	
34	1		Legrest main connecting rod left	Bielle principale de jambier gauche	NOT FOR SALE 324847
35	1	<b>325004</b>	Kit legrest main connecting rod left	Kit bielle principale de jambier gauche	
36	2	<b>325320</b>	Spacer Ø12xØ20x8,1mm	Entretoise Ø12xØ20x8,1mm	
37	2		Connecting rod n°3	Bielle n°3	NOT FOR SALE 325275
38	2	<b>324990</b>	Kit connecting rod n°3	Kit bielle n°3	
39	1		Legrest main connecting rod right	Bielle principale de jambier droite	NOT FOR SALE 324846
40	1	<b>325003</b>	Kit legrest main connecting rod right	Kit bielle principale de jambier droite	
41	1		Connecting rod	Bielle	NOT FOR SALE 325272
42	1	<b>324989</b>	Kit right connecting rod	Kit bielle droite	





## Legrest

Legrest					
Pos	Qty	Stock Code	Description En	Description Fr	Remark
1	1		Legrest crosstube	Traverse jambier	NOT FOR SALE 325283
2	4	<b>L0007100FO</b>	Collar bearing 10x12x7mm	Coussinet à collerette 10x12x7mm	
3	1	<b>326595</b>	Kit legrest crosstube	Kit traverse jambier	
4	2	<b>324863</b>	Rotation axis legrest	Axe rotation jambier	
5	1	<b>325467</b>	Electrical harness tilt and legrest switch	Faisceau de capteurs tilt et jambier	
6	2	<b>VIS-CHC3X16ZN</b>	Hexagon socket head cap screw M3x16	Vis tête cylindrique M3x16 six pans creux	
7	6	<b>VIS-CHC5X20ZN</b>	Hexagon socket head cap screw M5x20	Vis tête cylindrique M5x20 six pans creux	
8	2	<b>MP435XXXFO</b>	Support ball joint	Support rotule	
9	2	<b>MP314XXXZN</b>	Ball joint fixation calfpad	Rotule fixation coussin mollet	
10	2	<b>MP450XXXFO</b> <b>MP449XXXFO</b>	Calfpad S Calfpad M	Appui mollet S Appui mollet M	Small Medium
11	1	<b>325244</b>	Calf support plate	Plaque support câble mollet	
12	2	<b>VIS-CHC6X16ZN</b>	Hexagon socket head cap screw M6x16	Vis tête cylindrique M6x16 six pans creux	
13	1	<b>325281</b>	Plate strap lock legrest	Plaque de blocage sangle jambier	
14	1		Static body	Corps fixe	See exploded view p.36
15	1	<b>325352</b>	Strap legrest compensation	Sangle compensation jambier	
16	1		Kneerest	Genouillère	See exploded view p.38
17	1	<b>325952</b>	Protection kneerest slot	Protection fourreau de genouillère	
18	2	<b>VIS-CHC6X10ZN</b>	Hexagon socket head cap screw M6x8	Vis tête cylindrique M6x8 six pans creux	
19	1		Adjustable slot kneerest	Support réglable genouillère	NOT FOR SALE 324813
20	1	<b>326984</b>	Kit adjustable slot kneerest	Kit support réglable genouillère	
21	8	<b>613016</b>	Hexagon socket countersunk head screw M6x8	Vis tête fraisée M6x8 six pans creux	
22	1		Footplate and bracket left	Repose pied et support gauche	See exploded view p.40
23	1	<b>324824</b>	Bended plate moving body	Plaque pliée corps mobile	
24	1		Footplate and bracket right	Repose pied et support droit	See exploded view p.40
25	6	<b>VIS-FHC5X10ZN</b>	Hexagon socket countersunk head screw M5x10	Vis tête fraisée M5x10 six pans creux	
26	1	<b>325632</b>	Hanging strap plate	Plaque de passage sangle	
27	1	<b>325916</b>	Ball bearing bracket	Support roulement	
28	1	<b>614807</b>	Pin 6x16 M6	Goupille 6x16 M6	
29	2	<b>600182</b>	Hexagon socket head cap screw M4x8	Vis tête cylindrique M4x8 six pans creux	
30	1	<b>602488</b>	Ball bearing 6x19x6mm	Roulement à bille 6x19x6mm	
31	1	<b>ECR-HFR8ZN</b>	Prevailing torque type hexagon nut M8	Ecrou frein M8	
32	1	<b>RON-M8ZN</b>	Plain washer Ø8	Rondelle plate M Ø8	
33	1		Legrest actuator assembly	Ensemble vérin de jambier	See exploded view p.34
34	3	<b>ECR-HFR8ZN</b>	Prevailing torque type hexagon nut M8	Ecrou frein M8	
35	3	<b>RON-M8ZN</b>	Plain washer Ø8	Rondelle plate M Ø8	
36	2	<b>C0214XXXFO</b>	Nut cap M8	Cache écrou M8	
37	1	<b>325317</b>	Upper axis actuator lescrest	Axe supérieur vérin jambier	



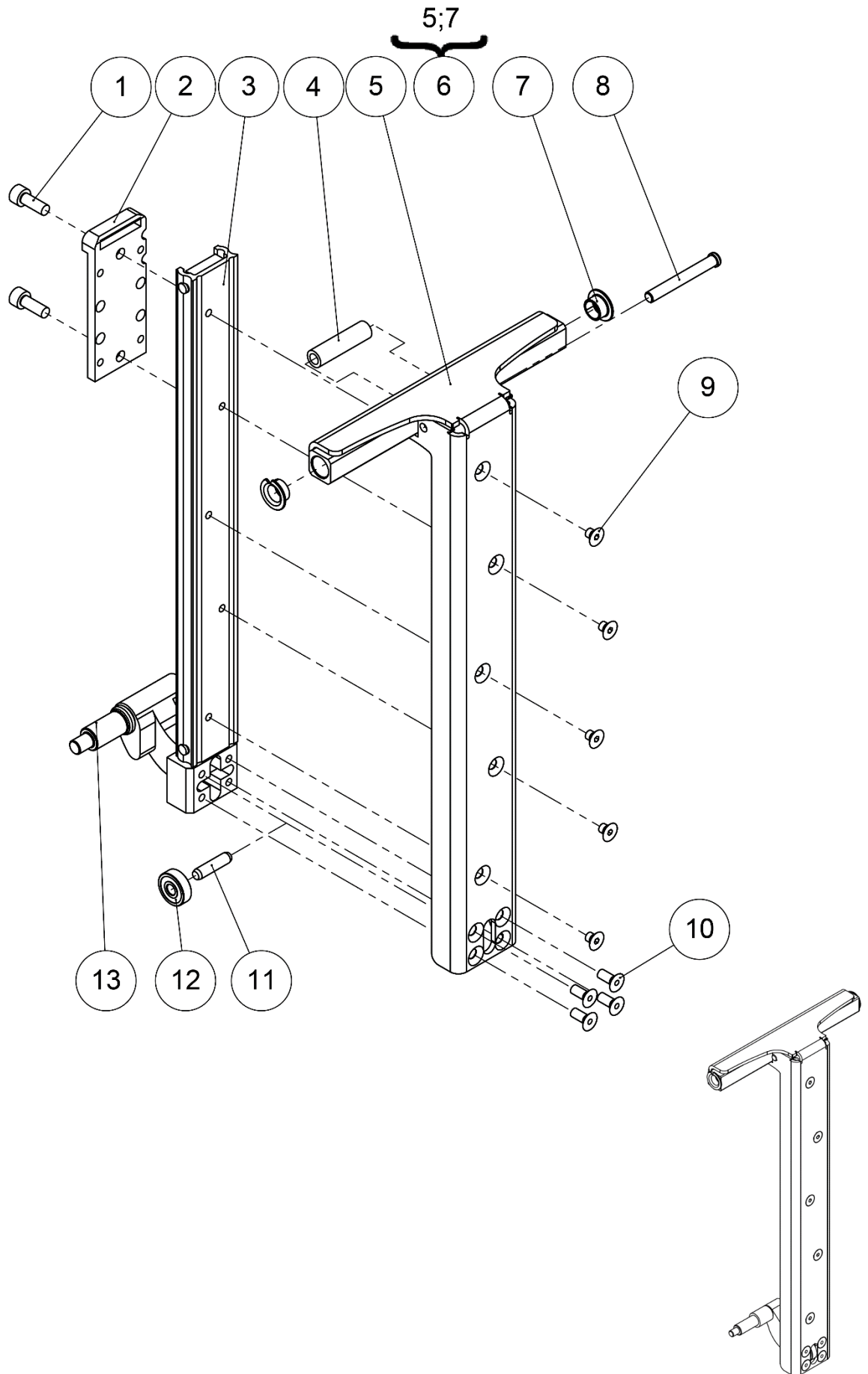


Legrest

Legrest actuator

## Legrest actuator

Pos	Qty	Stock Code	Description En	Description Fr	Remark
1	1	<b>614736</b>	Legrest actuator	Vérin de jambier	
2	1	<b>325307</b>	Reinforcement ring	Bague renfort	
3	1	<b>325278</b>	Actuator reinforcement plate	Plaque renfort vérin	
4	6	<b>612934</b>	Hexagon socket countersunk head screw M5x8	Vis tête fraisée M5x8 six pans creux	
5	1	<b>VIS-CHC6X16ZN</b>	Hexagon socket head cap screw M6x16	Vis tête cylindrique M6x16 six pans creux	
6	1	<b>325279</b>	Lower strap roller	Rouleau de sangle inférieur	
7	1	<b>325282</b>	Ring support	Anneau support	
8	1	<b>VIS-CHC6X20ZN</b>	Hexagon socket head cap screw M6x20	Vis tête cylindrique M6x20 six pans creux	

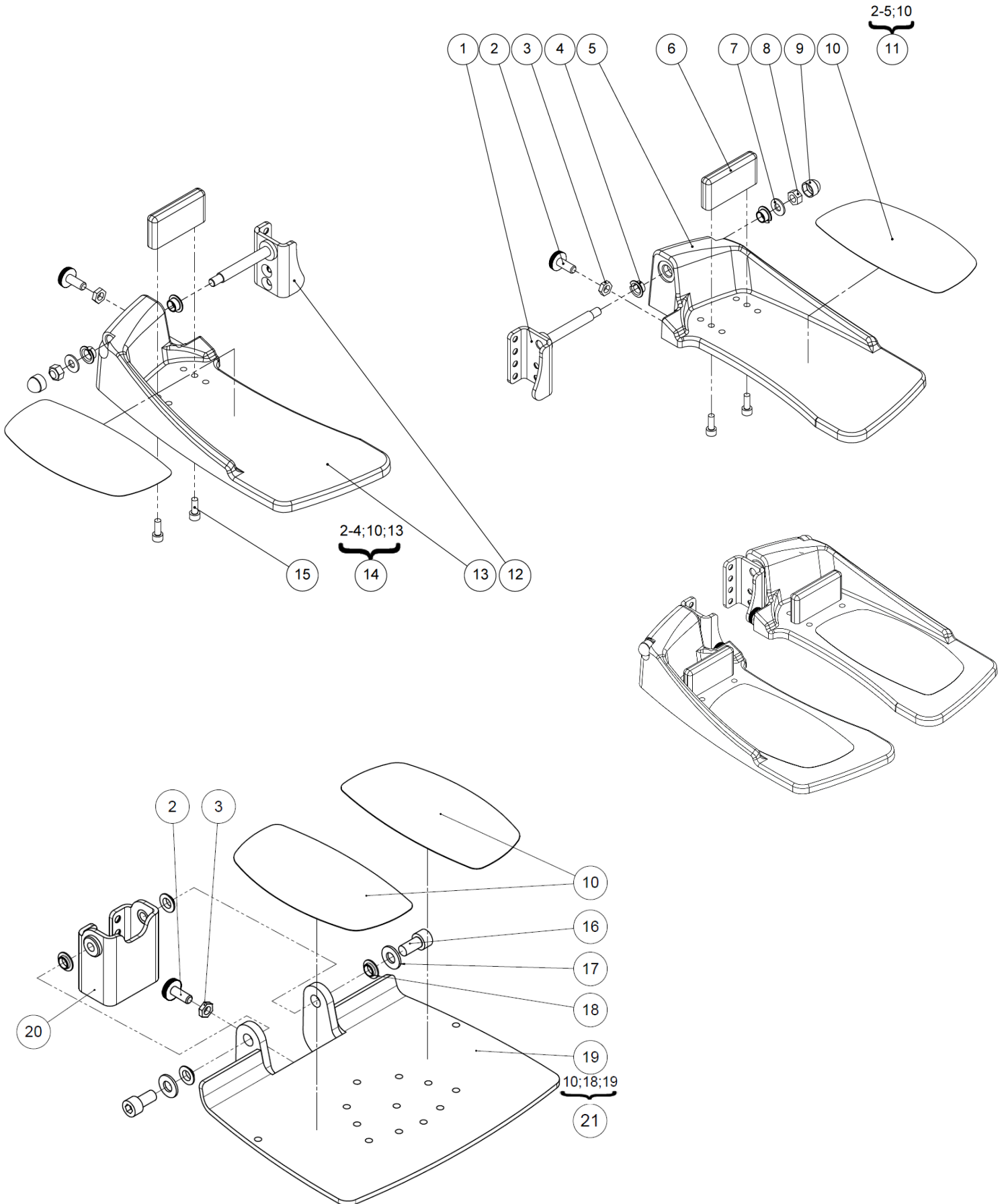




Legrest

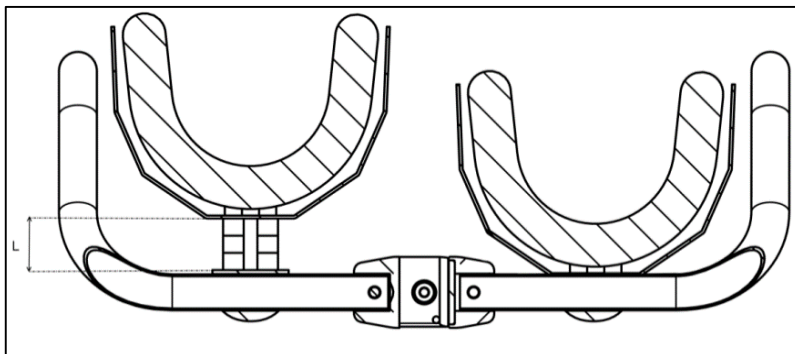
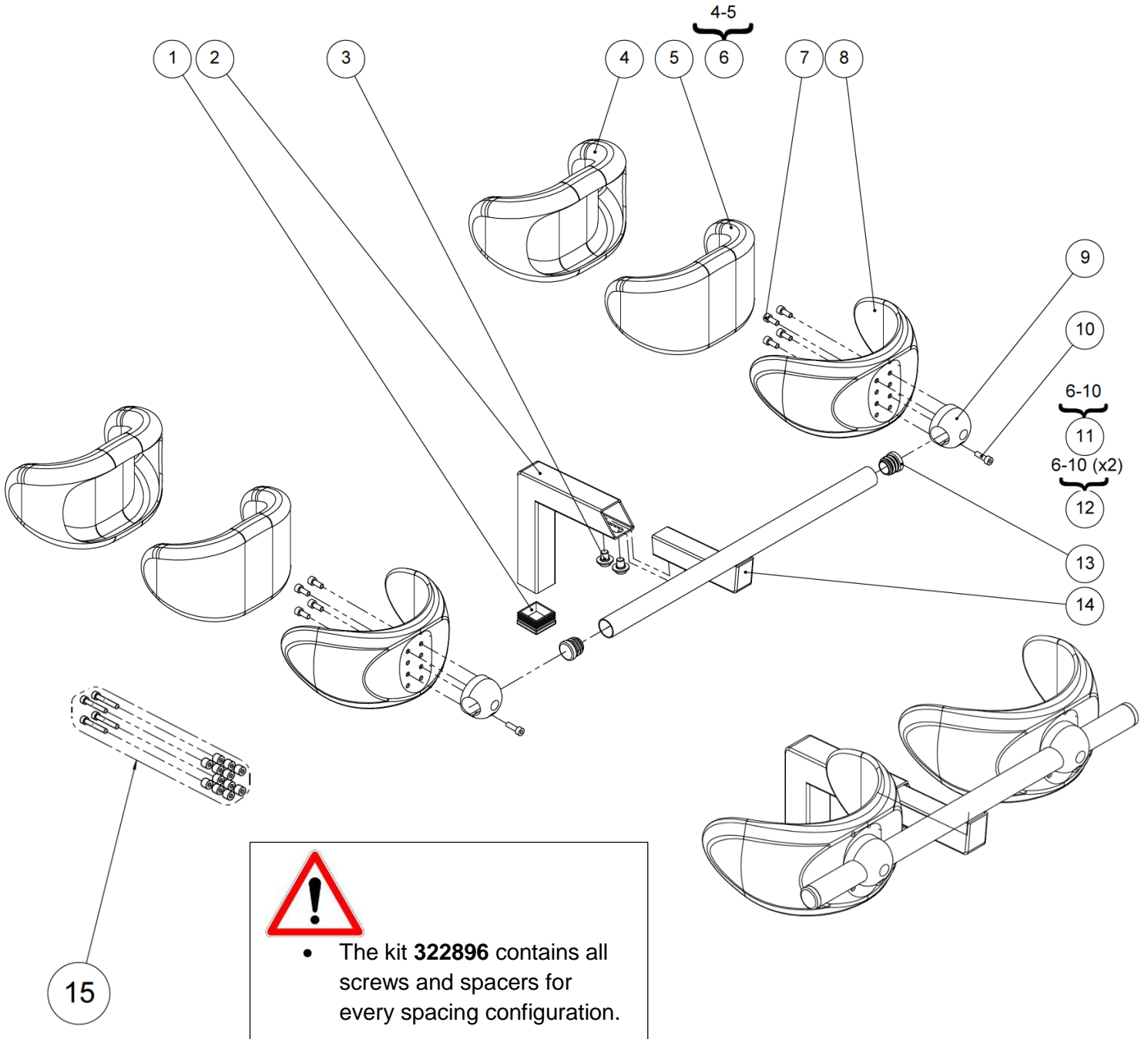
Static body

Static body					
Pos	Qty	Stock Code	Description En	Description Fr	Remark
1	2	<b>VIS-CHC6X16ZN</b>	Hexagon socket head cap screw M6x16	Vis tête cylindrique M6x16 six pans creux	
2	1	<b>324827</b>	Rail bracket	Support rail	
3	1	<b>324950</b>	Guide rail with skate length 313mm	Rail de guidage et patin longueur 313mm	
4	1	<b>325280</b>	Upper strap roller	Rouleau de sangle supérieur	
5	1		Static body	Corps fixe	NOT FOR SALE 324798
6	1	<b>325486</b>	Kit static body	Kit corps fixe	
7	2	<b>L0007100FO</b>	Collar bearing 10x12x7mm	Coussinet à collerette 10x12x7mm	
8	1	<b>325874</b>	Upper axis strap	Axe rouleau de sangle supérieur	
9	5	<b>614843</b>	Hexagon socket countersunk head screw M5x6	Vis tête fraisée M5x6 six pans creux	
10	4	<b>VIS-FHC5X12ZN</b>	Hexagon socket countersunk head screw M5x12	Vis tête fraisée M5x12 six pans creux	
11	1	<b>614808</b>	Pin 6x24 M6	Goupille 6x24 M6	
12	1	<b>602488</b>	Ball bearing 6x19x6mm	Roulement à bille 6x19x6mm	
13	1	<b>325273</b>	Lower actuator fixation	Fixation inférieure vérin	





Footplate and bracket					
Pos	Qty	Stock Code	Description En	Description Fr	Remark
1	1	324835	Left footplate bracket	Support repose pied gauche	
2	2	C0006XXXFO	Knurled base screw M8x20	Vis embase moletée M8x20	
3	2	ECR-HM8ZN	Hexagon thin nut M8	Ecrou bas M8	
4	4	L0007100FO	Collar bearing 10x12x7mm	Coussinet à collerette 10x12x7mm	
5	1		Footplate flip up left	Palette relevable gauche	NOT FOR SALE C3105LXXPN
6	2	C3110XXXFO	Fix heel	Cale talon	
7	2	RON-M8ZN	Plain washer Ø8	Rondelle plate M Ø8	
8	2	ECR-HFR8ZN	Prevailing torque type hexagon nut M8	Ecrou frein M8	
9	2	C0214XXXFO	Nut cap M8	Cache écrou M8	
10	2	F0030XXXFO	Anti skid sticker	Sticker anti dérapant prédécoupé	
11	1	325485	Kit footplate left	Kit repose pied gauche	
12	1	324838	Left footplate bracket	Support repose pied gauche	
13	1		Footplate flip up right	Palette relevable droite	NOT FOR SALE C3105RXXPN
14	1	325484	Kit footplate right	Kit repose pied droit	
15	2	VIS-CHC6X16ZN	Hexagon socket head cap screw M6x16	Vis tête cylindrique M6x16 six pans creux	
16	2	600110	Hexagon socket head cap screw M10x20	Vis tête cylindrique M10x20 six pans creux	
17	2	RON-M10ZN	Plain washer Ø10	Rondelle plate M Ø10	
18	4	614681	Bearing 10x12x4mm	Coussinet 10x12x4mm	
19	1		Mono footplate S	Palette monobloc relevable court	NOT FOR SALE C3105XSHPN
	1		Mono footplate M	Palette monobloc relevable long	NOT FOR SALE C3105XXXPN
20	1	325677	Mono footplate bracket	Support mono palette LSCT	
21	1	327084	Kit mono footplate S	Kit mono palette S	
		329542	Kit mono footplate M	Kit mono palette M	



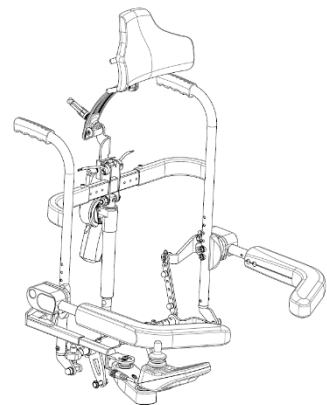
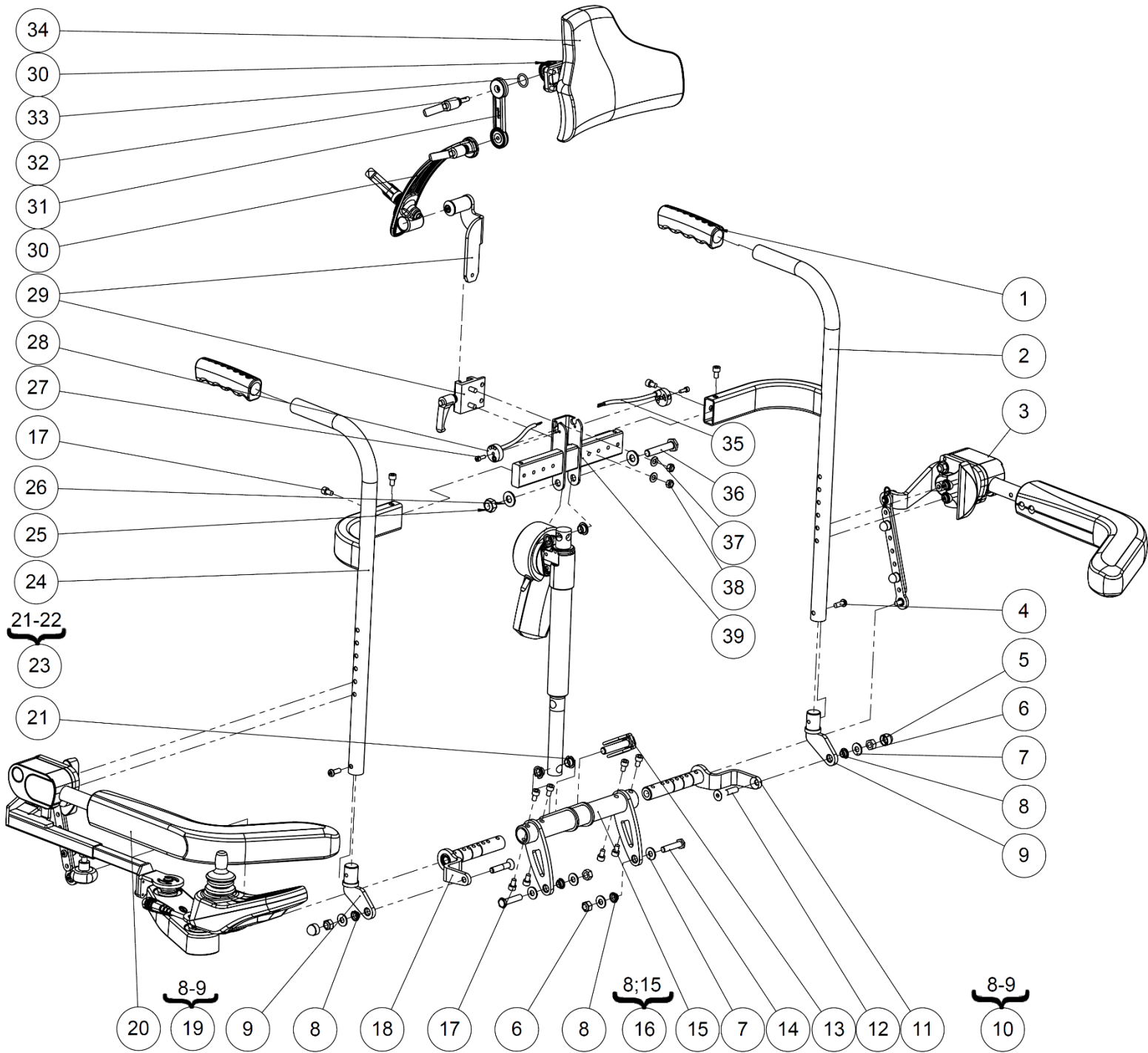




Kneerest					
Pos	Qty	Stock Code	Description En	Description Fr	Remark
1	1	614735	Black cap for square tube 30x30mm	Bouchon plastique noir pour tube carré 30x30mm	
2	1	324816	Tube kneerest	Tube genouillère	
3	2	324820	Screw kneerest	Vis genouillère	
4	2	L3016XXXFO	Cover for confort kneepad	Housse de genouillère	
5	2	L3017XXXFO	Foam for confort kneepad	Coussinet genouillère mousse	
6	2	L3013ITTFO	Foam + cover for confort kneepad (unit)	Kit housse + coussinet confort (l'unité)	
7	8	VIS-CHC5X10ZN	Hexagon socket head cap screw M5x10	Vis tête cylindrique M5x10 six pans creux	
8	2	L3111XXXFO	Polyurethane knee-support	Genouillère polyuréthane surmoulée	
9	2	L3112FXXAI	Knee-support nut	Noix de genouillère fendue	
10	2	VIS-CHC5X16ZN	Hexagon socket head cap screw M5x16	Vis tête cylindrique M5x16 six pans creux	
11	2	L3110XXXFO	Kit confort kneepad (unit)	Kit genouillère confort (l'unité)	
12	1	L3100XXXFO	Kit confort kneepads (pair)	Kit genouillères confort (paire)	
13	2	L0005221FO	Black cap for tube Ø22.1mm	Bouchon plastique noir pour tube Ø22.1mm	
14	1	324817	Holder kneerest	Support genouillère	
15	1	322896	Kit spacers kneerest	Kit entretoises genouillère	See table below to determine the number of spacer(s) and the length of screws

Spacing L (mm) (see picture p.46)/ Espacement L (mm) (voir schéma p.46)	0	10	20	30
Quantity of spacer(s) 614472 (for 1 kneepad) / Nombre d'entretoise(s) (pour 1 genouillère)	0	4	8	12
Quantity of screws (for 1 kneepad) / Nombre de vis (pour 1 genouillère)	4	4	4	4
References of screws / Références des vis	VIS-CHC5X10ZN	VIS-CHC5X20ZN	600686 (CHC5X30)	VIS-CHC5X40ZN

Backrest

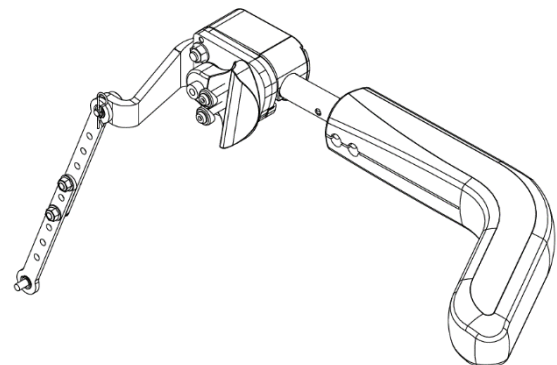
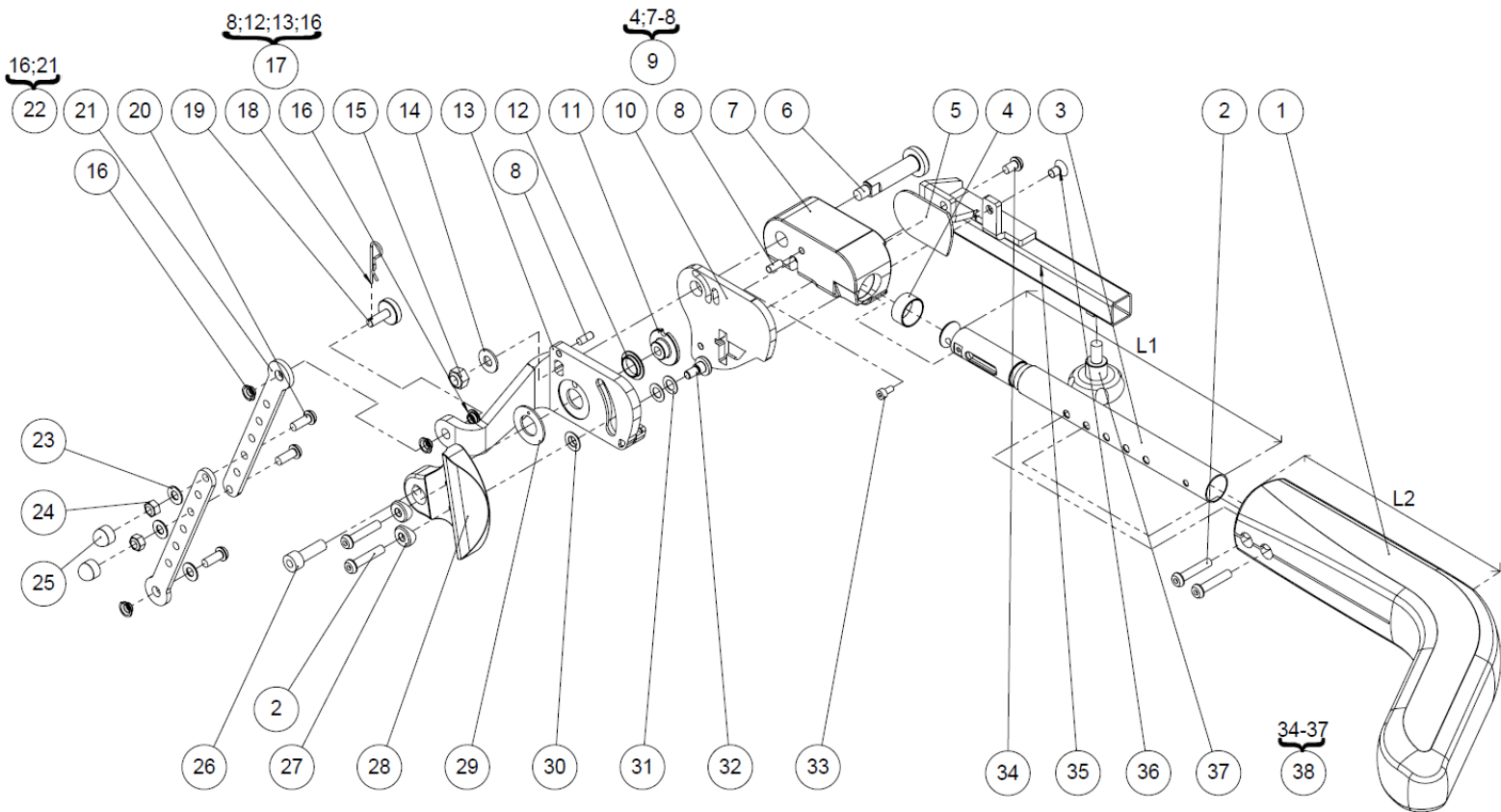


## Backrest

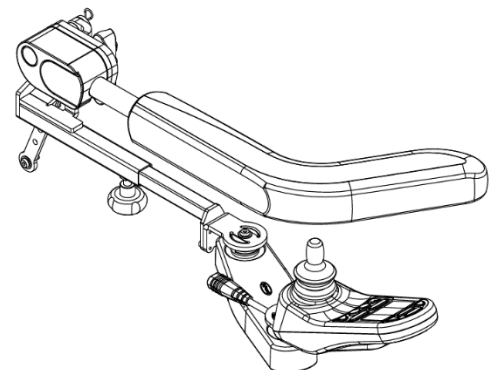
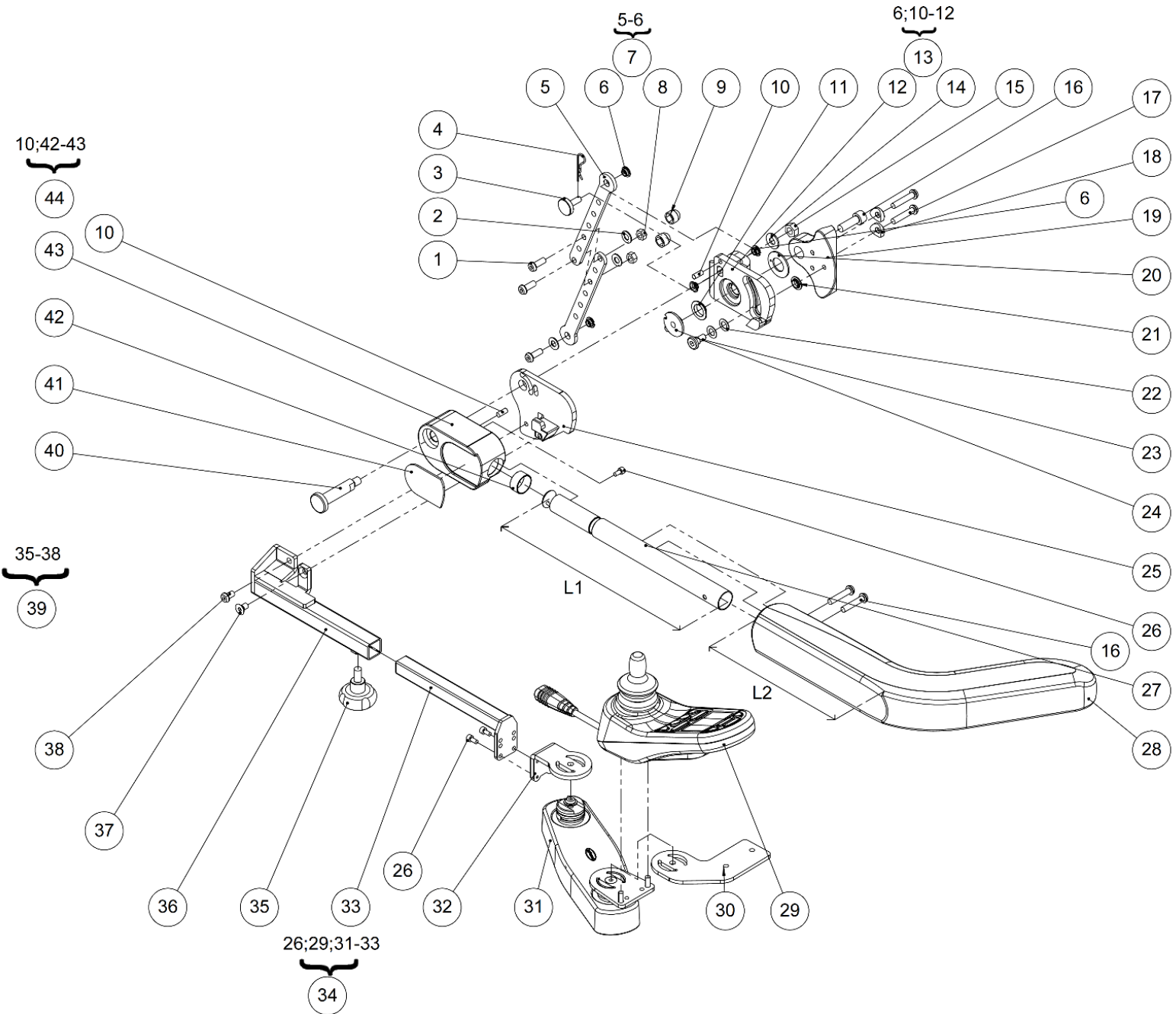
Backrest					
Pos	Qty	Stock Code	Description En	Description Fr	Remark
1	2	<b>L4004ERGFO</b>	Ergonomic handle	Poignée ergonomique	
2	1	<b>322927</b>	Left backrest tube	Tube dossier gauche	
		<b>326855</b>	Left backrest tube long	Tube dossier gauche long	
3	1		Left armrest	Accoudoir gauche	See exploded view p.44
4	2	<b>VIS-CBHC6X16ZN</b>	Hexagon socket button head screw M6x16	Vis tête bombée M6x16 six pans creux	
5	2	<b>C0214XXXFO</b>	Nut cap M8	Cache écrou M8	
6	4	<b>ECR-HFR8ZN</b>	Prevailing torque type hexagon nut M8	Ecrou frein M8	
7	6	<b>RON-M8ZN</b>	Plain washer Ø8	Rondelle plate M Ø8	
8	4	<b>L0007080FO</b>	Collar bearing 8x10x5,5mm	Coussinet à collerette 8x10x5,5mm	
9	2		Backrest pivot	Pivot dossier	NOT FOR SALE O4050XXXZN
10	1	<b>324994</b>	Kit backrest pivot left	Kit pivot dossier gauche	
11	1	<b>322938</b>	Left backrest crosstube extension	Extension traverse dossier gauche	
12	2	<b>VIS-FHC8X40ZN</b>	Hexagon socket countersunk head screw M8x40	Vis tête fraisée M8x40 six pans creux	
13	1	<b>L0013XXXFO</b>	Half-moon pin 10x45mm	Goupille clip demi-lune 10x45mm	
14	2	<b>L0016XXXZN</b>	Axle 8x36mm	Axe 8x36mm	
15	1		Middle backrest crosstube	Traverse dossier centrale	NOT FOR SALE 322942
16	1	<b>324984</b>	Kit middle backrest crosstube	Kit traverse dossier centrale	
17	12	<b>VIS-CHC6X10ZN</b>	Hexagon socket head cap screw M6x10	Vis tête cylindrique M6x10 six pans creux	
18	1	<b>322933</b>	Right backrest crosstube extension	Extension traverse dossier droite	
19	1	<b>324999</b>	Kit backrest pivot right	Kit pivot dossier droit	
20	1		Right armrest and pantograph	Accoudoir droit et pantographe	See exploded view p.46
21	4	<b>L0007100FO</b>	Collar bearing 10x12x7mm	Coussinet à collerette 10x12x7mm	
22	1		Backrest actuator	Vérin de dossier	NOT FOR SALE 614737
23	1	<b>325002</b>	Kit backrest actuator	Kit vérin de dossier	
24	1	<b>322924</b>	Right backrest tube	Tube dossier droit	
		<b>326856</b>	Right backrest tube long	Tube dossier droit long	
25	1	<b>ECR-HFR10ZN</b>	Prevailing torque type hexagon nut M10	Ecrou frein M10	
26	2	<b>RON-M10ZN</b>	Plain washer Ø10	Rondelle plate M Ø10	
27	2	<b>600184</b>	Hexagon socket head cap screw M4x12	Vis tête cylindrique M4x12 six pans creux	
28	1	<b>325406</b>	Angle stop right	Capteur d'angle droit	
29	1	<b>P1823235</b>	Head support bracket backrest	Fixation appui-tête dossier	
30	1	<b>P1823234</b>	Head support bracket	Fixation appui-tête	
31	1	<b>314894</b>	Link bracket 75mm	Biellette de réglage crantée 75mm	
32	1	<b>MP039XXXFO</b>	Adjustable handle M6x20	Poignée indexable M6x20	
33	1	<b>612912</b>	Toric ring Ø15,3 x 2,4mm	Joint torique Ø15,3 x 2,4mm	
34	1	<b>P1822868</b>	Headrest cushion	Coussin appui-tête	
35	-	<b>325466</b>	Stand-up and backrest sensors	Capteurs de verticalisation et de dossier	Same as rep.8 p.12
36	1	<b>C0204XXXZN</b>	Axle Ø10x51,5x17mm	Axle Ø10x51,5x17mm	
37	2	<b>RON-M6ZN</b>	Plain washer Ø6	Rondelle plate M Ø6	
38	2	<b>ECR-HFR6ZN</b>	Prevailing torque type hexagon nut M6	Ecrou frein M6	
39	1	<b>322928</b>	Backrest width adjustment bracket	Platine de réglage largeur dossier	

Backrest

Left armrest



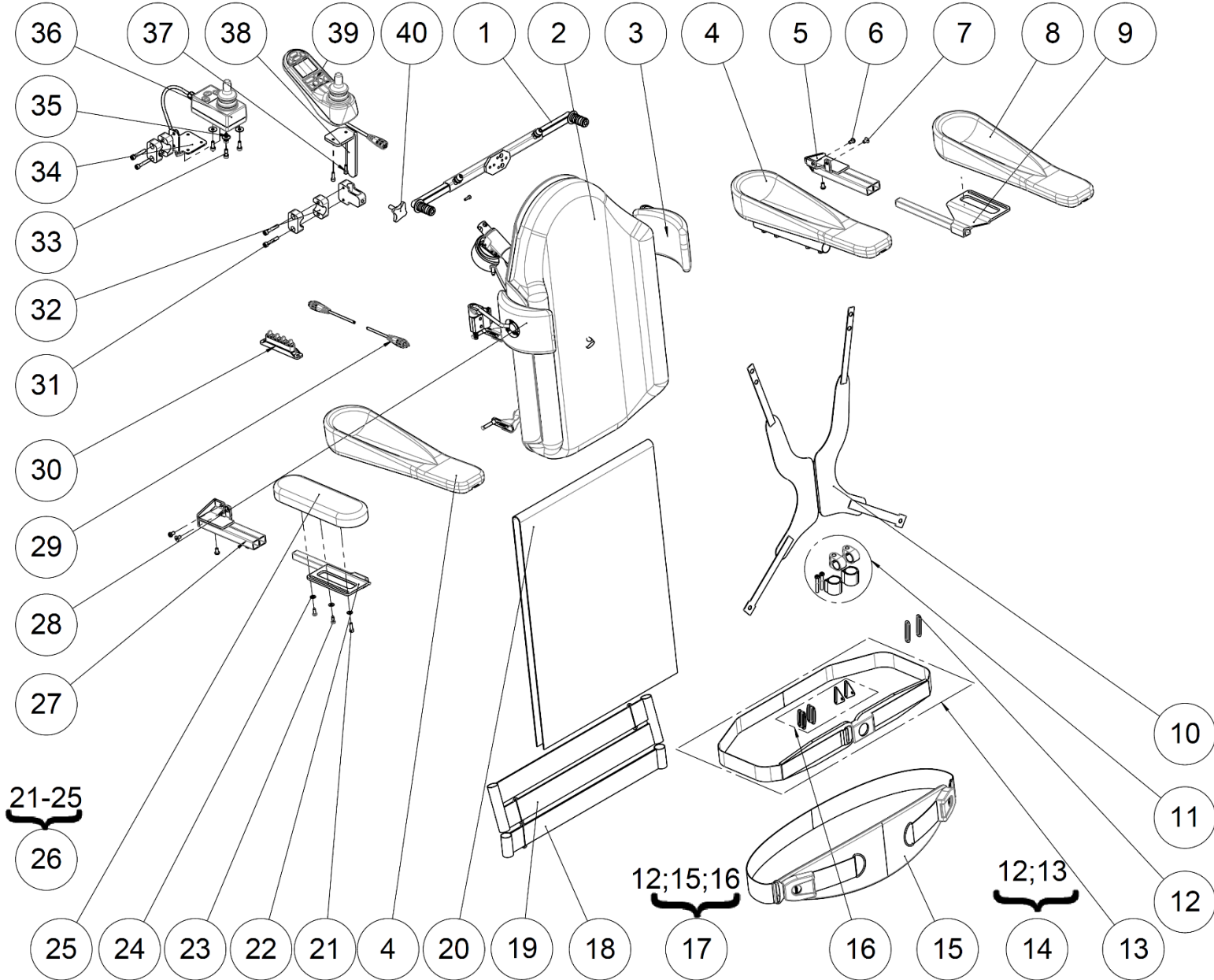
Left armrest					
Pos	Qty	Stock Code	Description En	Description Fr	Remark
1	1	<b>L4060XXXFO</b> <b>L4060XSHFO</b>	Long armrest chest support Short armrest chest support	Accoudoir appui pectoral long Accoudoir appui pectoral court	L2 ≈ 200mm L2 ≈ 150mm
2	4	<b>VIS-CBHC6X30ZN</b>	Hexagon socket button head screw M6x30	Vis tête bombée M6x30 six pans creux	
3	1	<b>325085</b> <b>326700</b>	Left armrest axle Left armrest axle short	Axe accoudoir gauche Axe accoudoir gauche court	L1 ≈ 265mm L1 ≈ 215mm
4	1	<b>614202</b> <b>325493</b> <b>325494</b>	Bearing 20x22x10mm Left sticker white armrest Left sticker black armrest	Coussinet 20x22x10mm Sticker accoudoir blanc gauche Sticker accoudoir noir gauche	
5	1	<b>325495</b> <b>325496</b> <b>325497</b>	Left sticker blue armrest Left sticker red armrest Left sticker bronze armrest	Sticker accoudoir bleu gauche Sticker accoudoir rouge gauche Sticker accoudoir bronze gauche	
6	1	<b>324709</b>	Armrest nut axle	Axe noix d'accoudoir	
7	1		Armrest nut left side	Noix d'accoudoir gauche	NOT FOR SALE 321659
8	2	<b>614673</b>	Pin 5x12	Goupille 5x12	
9	1	<b>325090</b>	Kit left nut	Kit noix gauche	
10	1	<b>324725</b>	Pantograph support plate left	Plaque support pantographe gauche	
11	1	<b>321654</b>	Armrest disc	Disque accoudoir	
12	1	<b>614201</b>	Collar bearing 14x16x4mm	Coussinet à collerette 14x16x4mm	
13	1		Armrest plate holder left	Plaque support accoudoir gauche	NOT FOR SALE 325068
14	1	<b>RON-M8ZN</b>	Plain washer Ø8	Rondelle plate M Ø8	
15	1	<b>ECR-HFR8ZN</b>	Prevailing torque type hexagon nut M8	Ecrou frein M8	
16	4	<b>L0007060FO</b>	Collar bearing 6x8x4mm	Coussinet à collerette 6x8x4mm	
17	1	<b>325087</b>	Kit armrest plate holder left	Kit plaque support accoudoir gauche	
18	1	<b>614757</b>	Hitch pin clip Ø1,5	Goupille beta Ø1,5	
19	1	<b>325343</b>	Axle pulling indexing armrest	Axe tirant d'indexation	
20	3	<b>VIS-CBHC6X16N</b>	Hexagon socket button head screw M6x16 black	Vis tête bombée M6x16 six pans creux noir	
21	2		Pulling indexing armrest	Tirant d'indexation	NOT FOR SALE 322923
22	2	<b>325088</b>	Kit pulling indexing armrest	Kit tirant d'indexation	
23	3	<b>RON-M6ZN</b>	Plain washer Ø6	Rondelle plate M Ø6	
24	2	<b>ECR-HFR6ZN</b>	Prevailing torque type hexagon nut M6	Ecrou frein M6	
25	2	<b>C2015XXXFO</b>	Nut cap M6	Cache écrou M6	
26	1	<b>VIS-CHC8X25ZN</b>	Hexagon socket head cap screw M8x25	Vis tête cylindrique M8x25 six pans creux	
27	2	<b>L0002221AI</b>	Concave washer for tube Ø22.1mm	Coupelle pour tube Ø22.1mm	
28	1	<b>321657</b>	Nut holder armrest	Support noix d'accoudoir	
29	1	<b>614203</b>	Bearing Ø16xØ30x15mm	Coussinet Ø16xØ30x15mm	
30	1	<b>614674</b>	Collar bearing 8x9x3mm	Coussinet à collerette 8x9x3mm	
31	2	<b>RON-Z8FINEPLAS</b>	Nylon washer Ø8.1x14x0.5mm	Rondelle plate nylon Ø8.1x14x0.5mm	
32	1	<b>324711</b>	Sliding screw armrest	Vis de glissement accoudoir	
33	1	<b>VIS-CHC4X8ZN</b>	Hexagon socket head cap screw M4x8	Vis tête cylindrique M4x8 six pans creux	
34	1	<b>VIS-CBHC6X10ZN</b>	Hexagon socket button head screw M6x10	Vis tête bombée M6x10 six pans creux	
35	1	<b>321943</b>	Panelholder left parallel motion	Platine support pantographe gauche	
36	1	<b>VIS-FHC6X10ZN</b>	Hexagon socket countersunk head screw M6x10	Vis tête fraisée M6x10 six pans creux	
37	1	<b>L0026XXXFO</b>	Adjustment knob bomba 40 M8x15	Poignée bomba 40 M8x15	
38	1	<b>327093</b>	Kit panelholder left parallel motion	Kit support pantographe gauche	



## Right armrest and pantograph

Pos	Qty	Stock Code	Description En	Description Fr	Remark
1	3	<b>VIS-CBHC6X16N</b>	Hexagon socket button head screw M6x16 black	Vis tête bombée M6x16 six pans creux noir	
2	3	<b>RON-M6ZN</b>	Plain washer Ø6	Rondelle plate M Ø6	
3	1	<b>325343</b>	Axle pulling indexing armrest	Axe tirant d'indexation	
4	1	<b>614757</b>	Hitch pin clip Ø1,5	Goupille beta Ø1,5	
5	2		Pulling indexing armrest	Tirant d'indexation	NOT FOR SALE 322923
6	4	<b>L0007060FO</b>	Collar bearing 6x8x4mm	Coussinet à colerette 6x8x4mm	
7	2	<b>325088</b>	Kit pulling indexing armrest	Kit tirant d'indexation	
8	2	<b>ECR-HFR6ZN</b>	Prevailing torque type hexagon nut M6	Ecrou frein M6	
9	2	<b>C0215XXXFO</b>	Nut cap M6	Cache ecrou M6	
10	2	<b>614673</b>	Pin 5x12	Goupille 5x12	
11	1	<b>614201</b>	Collar bearing 14x16x4mm	Coussinet à colerette 14x16x4mm	
12	1		Armrest plate holder right	Plaque support accoudoir droite	NOT FOR SALE 325067
13	1	<b>325086</b>	Kit armrest plate holder right	Kit plaque support accoudoir droite	
14	1	<b>RON-M8ZN</b>	Plain washer Ø8	Rondelle plate M Ø8	
15	1	<b>ECR-HFR8ZN</b>	Prevailing torque type hexagon nut M8	Ecrou frein M8	
16	1	<b>VIS-CHC8X25ZN</b>	Hexagon socket head cap screw M8x25	Vis tête cylindrique M8x25 six pans creux	
17	4	<b>VIS-CBHC6X30ZN</b>	Hexagon socket button head screw M6x30	Vis tête bombée M6x30 six pans creux	
18	2	<b>L0002221AI</b>	Concave washer for tube Ø22.1mm	Coupelle pour tube Ø22.1mm	
19	1	<b>321657</b>	Nut holder armrest	Support noix d'accoudoir	
20	1	<b>614203</b>	Bearing Ø16xØ30x15mm	Coussinet Ø16xØ30x15mm	
21	1	<b>614674</b>	Collar bearing 8x9x3mm	Coussinet à colerette 8x9x3mm	
22	2	<b>RON-Z8FINEPLAS</b>	Nylon washer Ø8.1x14x0.5mm	Rondelle plate nylon Ø8.1x14x0.5mm	
23	1	<b>324711</b>	Sliding screw armrest	Vis de glissement accoudoir	
24	1	<b>321654</b>	Armrest disc	Disque accoudoir	
25	1	<b>324708</b>	Pantograph support plate right	Plaque support pantographe droite	
26	3	<b>VIS-CHC4X8ZN</b>	Hexagon socket head cap screw M4x8	Vis tête cylindrique M4x8 six pans creux	
27	1	<b>321681</b> <b>326701</b>	Right armrest axle Right armrest axle short	Axe accoudoir droit Axe accoudoir court droit	L1 ≈ 265mm L1 ≈ 215mm
28	1	<b>L4060XXXFO</b> <b>L4060XSHFO</b>	Long armrest chest support Short armrest chest support	Accoudoir appui pectoral long Accoudoir appui pectoral court	L2 ≈ 200mm L2 ≈ 150mm
29	1	<b>O5032XXXFO</b>	PGDT R-NET joystick	PGDT R-NET joystick	
30	1	<b>324740</b>	Plate Joystick Holder	Plaque déport joystick	
31	1	<b>317404</b>	Panel holder	Pantographe	
32	1	<b>325077</b>	Plate parallel motion	Plaque support pantographe	
33	1	<b>321940</b>	Panelholder parallel motion	Tube support pantographe	
34	1	<b>326706</b>	Kit panel holder + joystick	Kit pantographe + joystick	
35	1	<b>L0026XXXFO</b>	Adjustment knob bomba 40 M8x15	Poignée bomba 40 M8x15	
36	1	<b>322257</b>	Panelholder right parallel motion	Platine support pantographe droite	
37	1	<b>VIS-FHC6X10ZN</b>	Hexagon socket countersunk head screw M6x10	Vis tête fraisée M6x10 six pans creux	
38	1	<b>VIS-CBHC6X10ZN</b>	Hexagon socket button head screw M6x10	Vis tête bombée M6x10 six pans creux	
39	1	<b>327092</b>	Kit panelholder right parallel motion	Kit support pantographe droit	
40	1	<b>324709</b>	Armrest nut axle	Axe noix d'accoudoir	
		<b>325498</b>	Right sticker white armrest	Sticker accoudoir blanc droit	
		<b>325499</b>	Right sticker black armrest	Sticker accoudoir noir droit	
41	1	<b>325500</b> <b>325501</b> <b>325502</b>	Right sticker blue armrest Right sticker red armrest Right sticker bronze armrest	Sticker accoudoir bleu droit Sticker accoudoir rouge droit Sticker accoudoir bronze droit	
42	1	<b>614202</b>	Bearing 20x22x10mm	Coussinet 20x22x10mm	
43	1		Armrest nut right side	Noix d'accoudoir droite	NOT FOR SALE 321658
44	1	<b>325089</b>	Kit right nut	Kit noix droit	


Backrest accessories

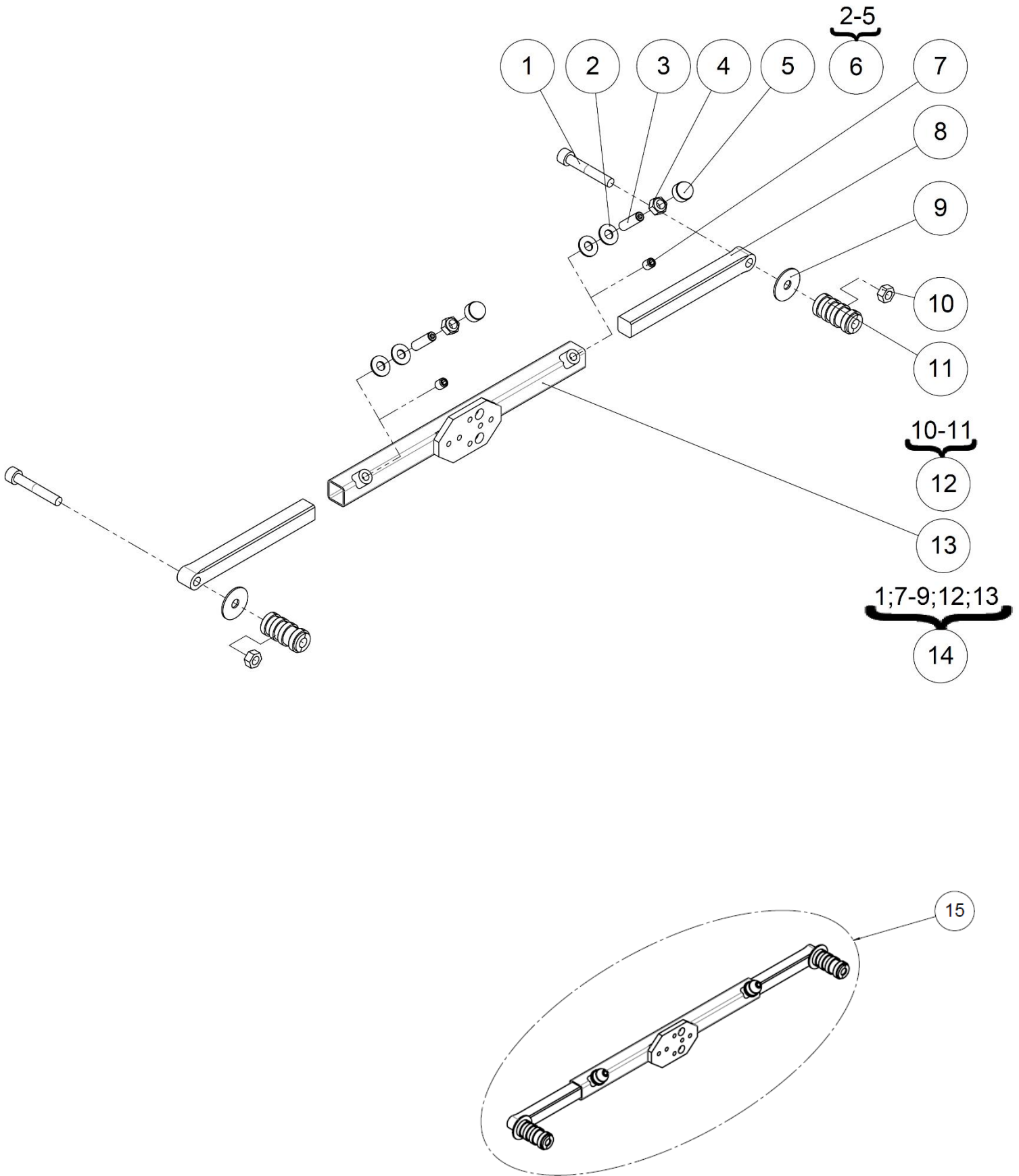




## Backrest accessories

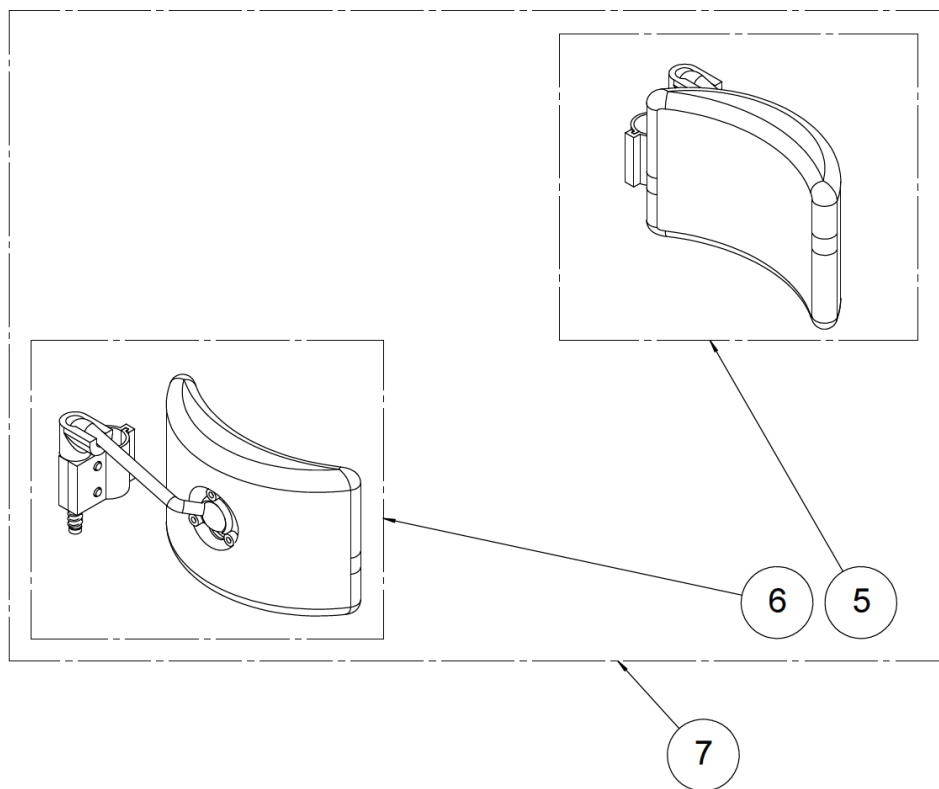
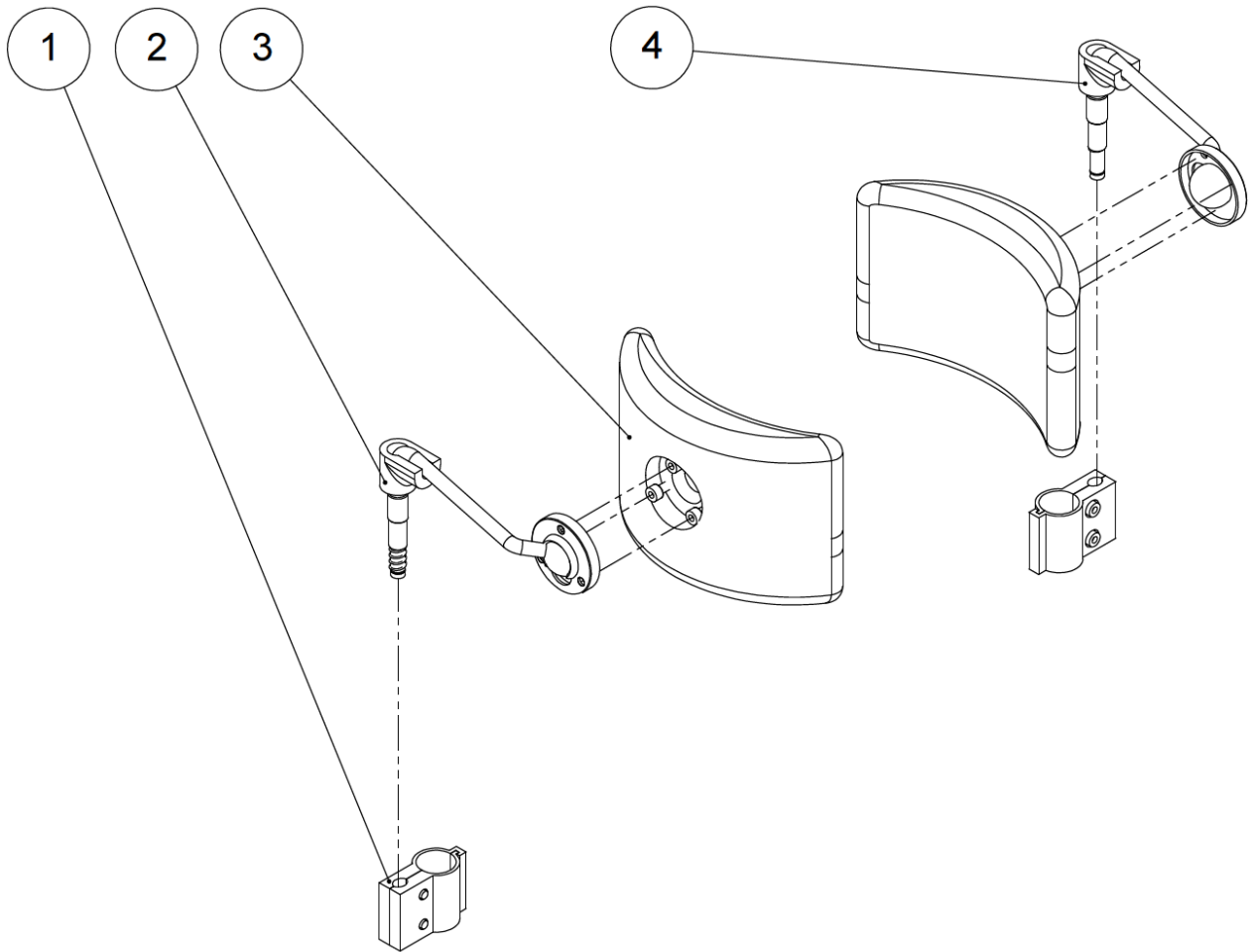
Backrest accessories					
Pos	Qty	Stock Code	Description En	Description Fr	Remark
1	1		Headrest crosstube	Traverse appui tête	See view p.50
2	1		Varilite backrest	Dossier Varilite	See all sizes p.62
3	1		Thoracic support left	Cale tronc gauche	See view p.52
4	2		Kit drainpipe armrest (unit)	kit accoudoir gouttière (unite)	See view p.54
5	1	<b>325082</b>	Panel holder for double tubes left	Platine support pantographe double tube gauche	Used for add armrest on joystick or table side
6	2	<b>VIS-CBHC6X10ZN</b>	Hexagon socket button head screw M6x10	Vis tête bombée M6x10 six pans creux	
7	2	<b>VIS-FHC6X10ZN</b>	Hexagon socket countersunk head screw M6x10	Vis tête fraisée M6x10 six pans creux	
8	1	<b>L9075XXXFO</b>	Ergonomic armrest	Accoudoir gouttière	
9	1	<b>325101</b>	Additional armrest support left	Support accoudoir supplémentaire gauche	
10	1	<b>N-POTRO20</b>	Trunk harness stayflex S large-men	Harnais bustier stayflex S large-homme	
		<b>N-POTRO21</b>	Trunk harness stayflex M large-men	Harnais bustier stayflex M large-homme	
		<b>N-POTRO22</b>	Trunk harness stayflex L large-men	Harnais bustier stayflex L large-homme	
		<b>N-POTRO23</b>	Trunk harness stayflex XL large-men	Harnais bustier stayflex XL large-homme	
		<b>N-POTRO31</b>	Trunk harness stayflex M narrow-women	Harnais bustier stayflex M étroit-femme	
		<b>N-POTRO32</b>	Trunk harness stayflex L narrow-women	Harnais bustier stayflex L étroit-femme	
		<b>N-POTRO33</b>	Trunk harness stayflex XL narrow-women	Harnais bustier stayflex XL étroit-femme	
11	0-1	<b>N-PODOS01</b>	Framesaver clamp	Adaptateur tubulaire dossier	
12	2	<b>L6008XXXFO</b>	Metal ring	Boucle métallique	
13	1		Bodypoint chest strap S/M	Ceinture ventrale S&M	NOT FOR SALE N-POBAS30
			Bodypoint chest strap L	Ceinture ventrale L	NOT FOR SALE N-POBAS31
14	1	<b>322914</b>	Kit bodypoint chest strap S/M	Kit ceinture ventrale S&M	
		<b>322915</b>	Kit bodypoint chest strap L	Kit ceinture ventrale L	
15	1		Bodypoint large abdominal strap	Sangle abdominale	NOT FOR SALE N-POBAS40
16	1	<b>N-POBAS50</b>	Fixation kit	Kit de fixation	
17	1	<b>322916</b>	Kit bodypoint large abdominal strap	Kit sangle abdominale	
18	1	<b>L6002XX1FO</b>	Universal one-strap backrest stay	Sangle dossier une bande	
19	1	<b>L6002XX2FO</b>	Universal two-strap backrest stay	Sangle dossier deux bandes	
20	1	<b>L6005H40FO</b>	Standard backrest cover size 36-40 cm	Couvre dossier standard taille 36-40 cm	
		<b>L6005H44FO</b>	Standard backrest cover size 44 cm	Couvre dossier standard taille 44 cm	
		<b>L6005H48FO</b>	Standard backrest cover size 48 cm	Couvre dossier standard taille 48 cm	
		<b>326859</b>	Extended backrest cover size 36-40 cm	Couvre dossier rehaussé taille 36-40 cm	
		<b>326861</b>	Extended backrest cover size 44-48 cm	Couvre dossier rehaussé taille 44-48 cm	
21	1	<b>VIS-CHC5X16ZN</b>	Hexagon socket head cap screw M5x16	Vis tête cylindrique M5x16 six pans creux	
22	1	<b>325100</b>	Additional armrest support right	Support accoudoir supplémentaire droit	
23	2	<b>614853</b>	Cross recessed button head wood screw M5x16	Vis à bois tête bombée à empreinte cruciform M5x16	
24	3	<b>RON-M5ZN</b>	Plain washer Ø5	Rondelle plate M Ø5	
25	1		Armrest large	Accoudoir large	NFS SX912XXXFO
26	1	<b>326838</b>	Kit armrest large	Kit accoudoir large	
27	1	<b>325081</b>	Panel holder for double tubes right	Platine support pantographe double tube droite	Used for add armrest on joystick or table side
28	1		Thoracic support right	Cale tronc droit	See view p.52
29	1	<b>O5048XXXFO</b>	R-NET BUS Cable 1m	Cable BUS R-NET 1m	
		<b>O5045XXXFO</b>	R-NET BUS Cable 2.5m	Cable BUS R-NET 2.5m	
30	1	<b>O5049XXXFO</b>	4 sockets R-NET HUB	Hub R-NET 4 ports	
31	4	<b>VIS-CHC6X35ZN</b>	Hexagon socket head cap screw M6X35	Vis tête cylindrique M6X35 six pans creux	
32	2	<b>C9091XXXFO</b>	Polyamid tube clamp Ø22 mm	Bride polyamide Ø22 mm	
33	4	<b>VIS-CHC5X12ZN</b>	Hexagon socket head cap screw M5X12	Vis tête cylindrique M5X12 six pans creux	
34	1	<b>O4076XXXPN</b>	Attendant control support	Support commande tierce personne	
35	4	<b>RON-M5ZN</b>	Plain washer Ø5	Rondelle plate M Ø5	
36	1	<b>O5034XXXFO</b>	PGDT dual attendant module	Commande tierce personne PGDT	
37	2	<b>VIS-CHC5X16ZN</b>	Hexagon socket head cap screw M5X16	Vis tête cylindrique M5X16 six pans creux	
38	1	<b>O5030XXXAI</b>	PGDT joystick support	Support joystick PGDT	
39	1	<b>O5032XXXFO</b>	PGDT R-NET joystick	PGDT R-NET joystick	
40	1	<b>L0020XXXFO</b>	Adjustment knob M8x20	Poignée de serrage M8x20	

<p><b>LSCT</b></p>	<p><b>SPARE PART CATALOG</b></p>		
<p>Item N° <b>325014</b></p>	<p>Revision <b>A</b></p>	<p>Date <b>23/07/2015</b></p>	<p>Page <b>50</b> of <b>63</b></p>
<p>Backrest accessories</p>		<p>Headrest crosstube</p>	





Headrest crosstube					
Pos	Qty	Stock Code	Description En	Description Fr	Remark
1	2	<b>VIS-CHC8X50ZN</b>	Hexagon socket head cap screw M8x50	Vis tête cylindrique M8x50 six pans creux	
2	4	<b>RON-M8ZN</b>	Plain washer Ø8	Rondelle plate M Ø8	
3	2	<b>VIS-HC8X30ZN</b>	Hexagon socket set screw M8x30	Vis sans tête M8x30 six pans creux	
4	2	<b>ECR-HFR8ZN</b>	Prevailing torque type hexagon nut M8	Ecrou frein M8	
5	2	<b>C0214XXXFO</b>	Nut cap M8	Cache écrou M8	
6	1	<b>L9026XXXFO</b>	Kit belt fixing (pair)	Kit fixation harnais (paire)	
7	2	<b>VIS-HC8X10ZN</b>	Hexagon socket set screw M8x10	Vis sans tête M8x10 six pans creux	
8	2	<b>L9037XXXAI</b>	Adjustment rod	Barre réglage appui-tête	
9	2	<b>RON-LL8ZN</b>	Fender washer Ø8	Rondelle plate LL Ø8	
10	2	<b>ECR-H8ZN</b>	Hexagon nut M8	Ecrou M8	
11	2		Casing Ø20	Douille expansive Ø20	NOT FOR SALE L9038XXXFO
12	2	<b>322865</b>	Kit casing	Kit douille expansive	For one side
13	1	<b>L9039XXXPN</b>	Headrest crossbar	Traverse appui-tête universelle	
14	1	<b>L9027XXXFO</b>	Top headrest support kit	Kit support appuie tête haut	
15	1	<b>L9029XXXFO</b>	Kit belt fixing + Headrest support	Kit fixation harnais + support appuie-tête	



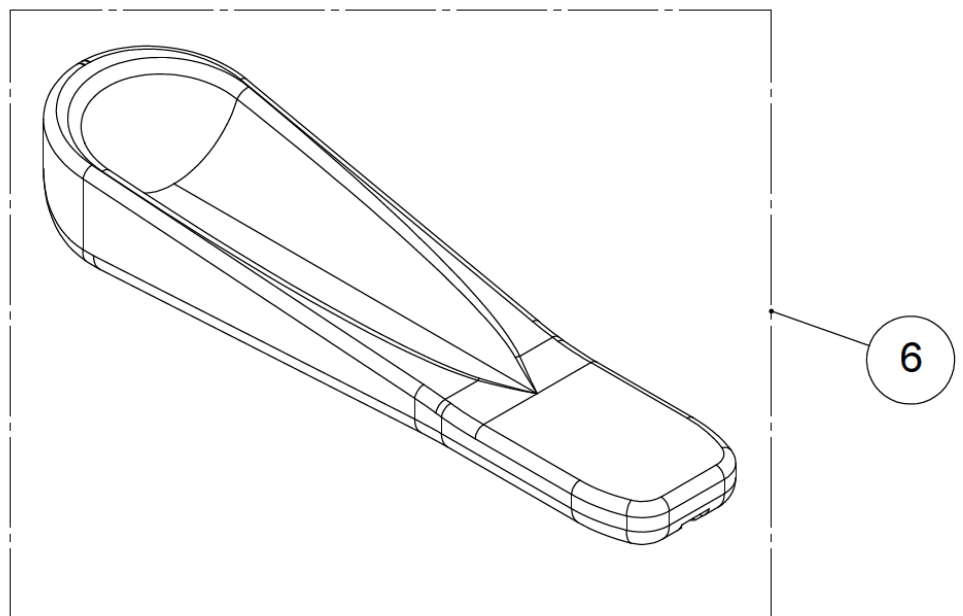
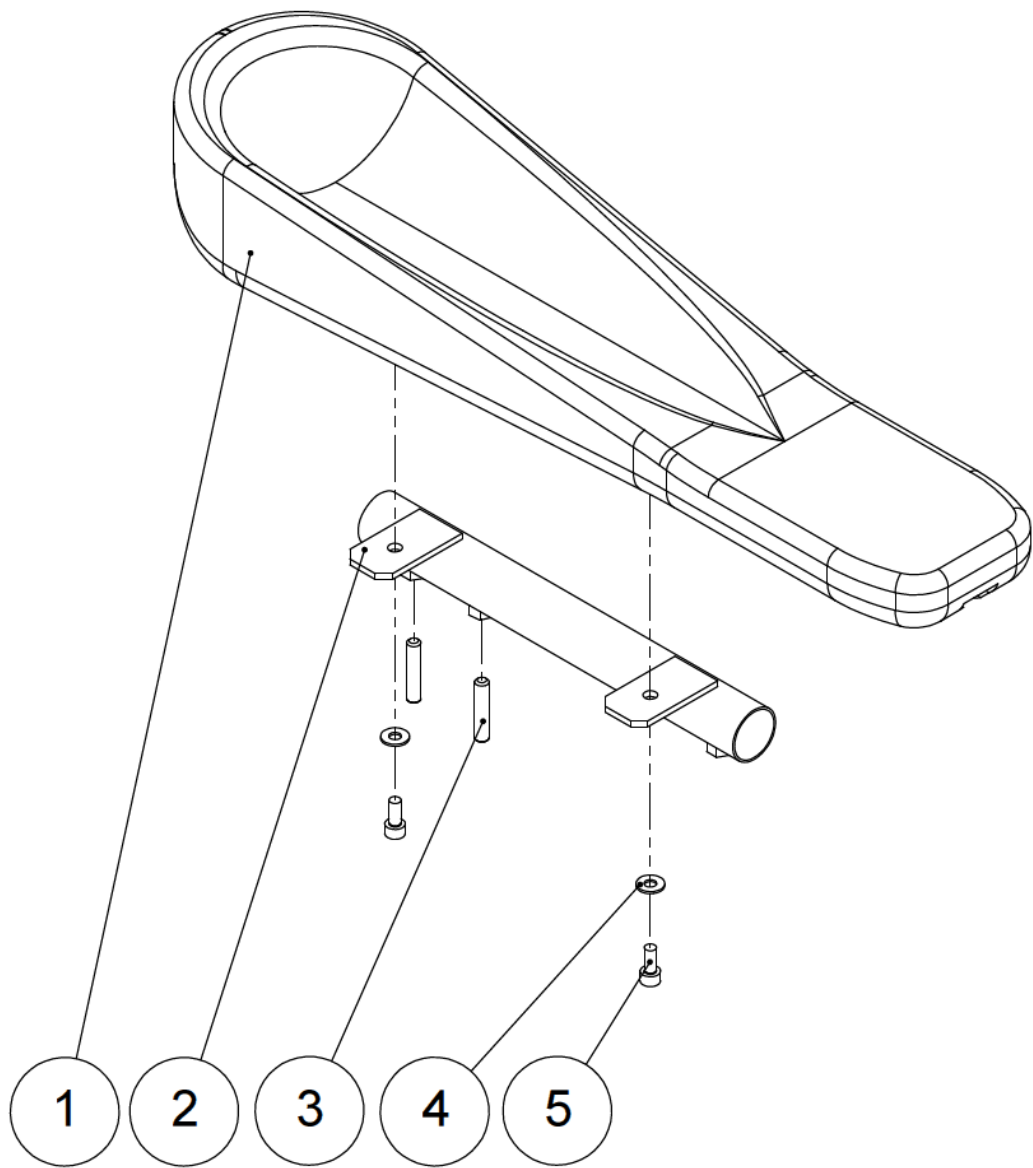


Backrest accessories

Thoracic support

### Thoracic support

Pos	Qty	Stock Code	Description En	Description Fr	Remark
1	2	<b>L9074XXXFO</b>	Fixing tube Ø22.2 mm for trunk support	Bride de fixation tube Ø22.2 mm cale tronc	
2	1	<b>L9071RXXFO</b>	Right trunk support	Support cale tronc droit	
3	2	<b>L9070XXXFO</b>	Thoracic support cushion	Coussin soutien thoracique	
4	1	<b>L9071LXXFO</b>	Left trunk support	Support cale tronc gauche	
5	1	<b>L9079LXXFO</b>	Kit trunk support left	Kit cale tronc gauche	
6	1	<b>L9079RXXFO</b>	Kit trunk support right	Kit cale tronc droit	
7	1	<b>L9079XXXFO</b>	Kit trunk support (pair)	Kit cale tronc (paire)	

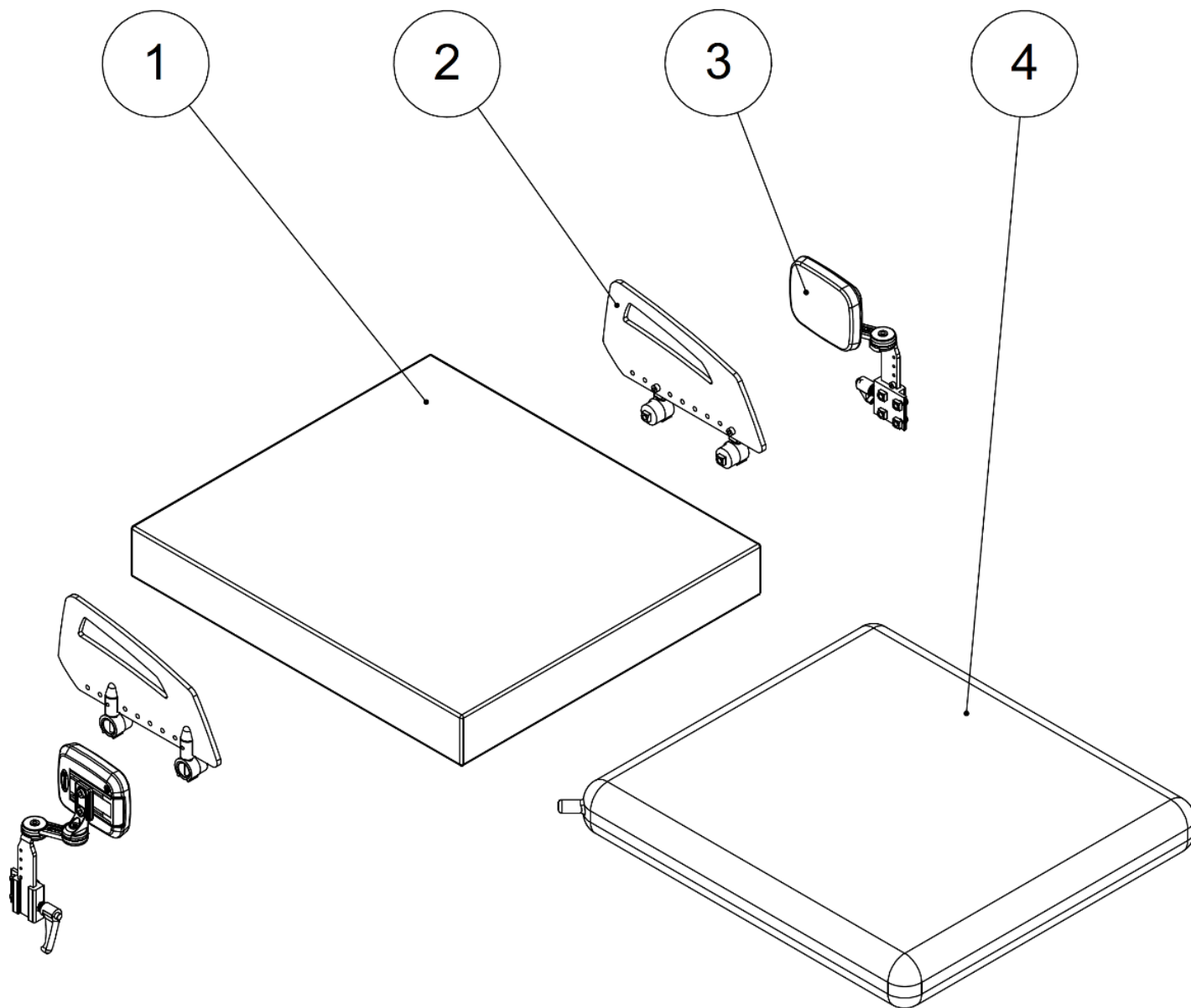




## Drainpipe armrest

Pos	Qty	Stock Code	Description En	Description Fr	Remark
1	1	<b>L9075XXXFO</b>	Ergonomic armrest large	Accoudoir gouttière grand	
2	1	<b>L9015XXXZN</b>	Ergonomic armrest support	Support accoudoir gouttière	
3	2	<b>VIS-HC6X30ZN</b>	Hexagon socket set screw M6x30	Vis sans tête M6x30 six pans creux	
4	2	<b>RON-M5ZN</b>	Plain washer Ø5	Rondelle plate M Ø5	
5	2	<b>VIS-CHC5X12ZN</b>	Hexagon socket head cap screw M5x12	Vis tête cylindrique M5x12 six pans creux	
6	1	<b>L9170XXXFO</b>	Kit drainpipe armrest (unit)	Kit accoudoir gouttière (l'unité)	

Seat accessories

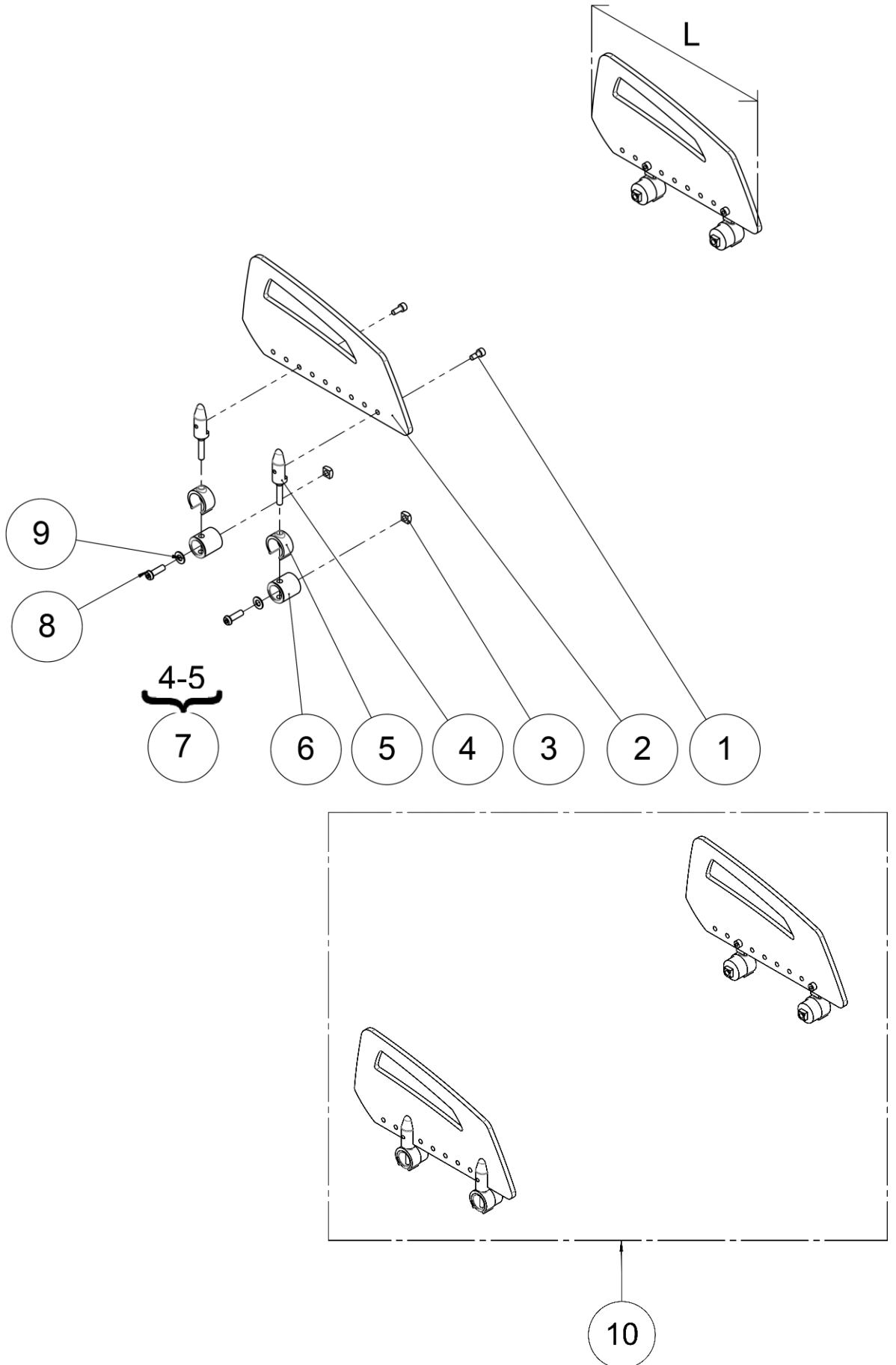






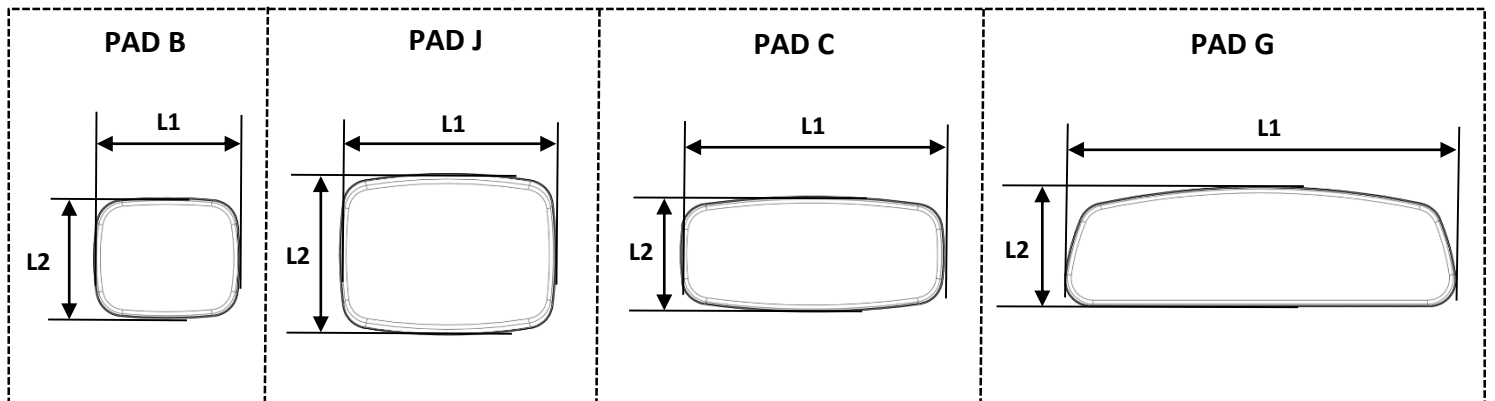
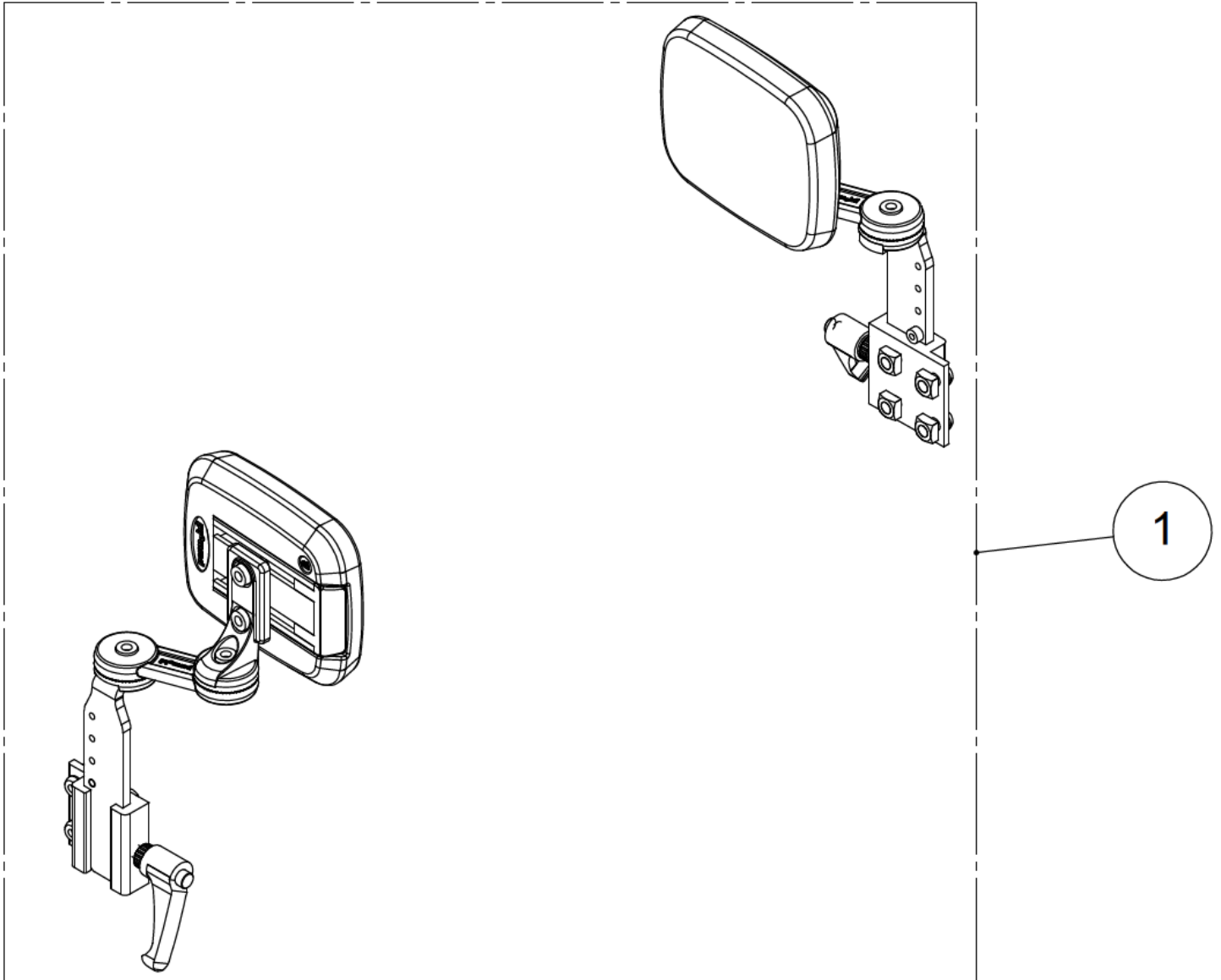
## Seat accessories

Seat accessories					
Pos	Qty	Stock Code	Description En	Description Fr	Remark
1	1	<b>321241</b>	Seat cushion visco size 36x35x7 cm	Coussin visco taille 36x35x7 cm	
		<b>L6110X36FO</b>	Seat cushion visco size 36x40x7 cm	Coussin visco taille 36x40x7 cm	
		<b>321243</b>	Seat cushion visco size 36x47x7 cm	Coussin visco taille 36x47x7 cm	
		<b>321244</b>	Seat cushion visco size 36x53x7 cm	Coussin visco taille 36x53x7 cm	
		<b>L6110X40FO</b>	Seat cushion visco size 40x45x7 cm	Coussin visco taille 40x45x7 cm	
		<b>L6110X4048</b>	Seat cushion visco size 40x48x7 cm	Coussin visco taille 40x48x7 cm	
		<b>321248</b>	Seat cushion visco size 40x53x7 cm	Coussin visco taille 40x53x7 cm	
		<b>L6110X44FO</b>	Seat cushion visco size 44x45x7 cm	Coussin visco taille 44x45x7 cm	
		<b>L6110X4448</b>	Seat cushion visco size 44x48x7 cm	Coussin visco taille 44x48x7 cm	
		<b>321251</b>	Seat cushion visco size 44x53x7 cm	Coussin visco taille 44x53x7 cm	
		<b>L6110X48FO</b>	Seat cushion visco size 48x48x7 cm	Coussin visco taille 48x48x7 cm	
		<b>321253</b>	Seat cushion visco size 48x53x7 cm	Coussin visco taille 48x53x7 cm	
2	1		Side guard	Protection latérale	See exploded view p.58
3	1		Lateral support	Support latéral	See exploded view p.60
4	2		Varilite cushion	Coussin Varilite	See all sizes p.62



## Side guard

Pos	Qty	Stock Code	Description En	Description Fr	Remark
1	4	<b>VIS-CHC5X12ZN</b>	Hexagon socket head cap screw M5x12	Vis tête cylindrique M5x12 six pans creux	
2	2	<b>C9111XSHFO</b>	Clothes guard short	Protège vêtement court	L ≈ 213 mm
		<b>C9111XXXFO</b>	Clothes guard long	Protège vêtement long	L ≈ 254 mm
3	4	<b>612947</b>	Square nut M6	Ecrou carré M6	
4	4		Pin bracket side guards	Axe protection latérale	NOT FOR SALE L9012XXXFO
5	4		Tube lock	Verrou de tube	NOT FOR SALE L0009XXXFO
6	4	<b>O9002XXXFO</b>	Spacer n°1	Entretoise n°1	
7	4	<b>327078</b>	Kit tube lock	Kit verrou de tube	
8	4	<b>VIS-CBHC6X20ZN</b>	Hexagon socket button head screw M6x20	Vis tête bombée M6x20 six pans creux	
9	4	<b>RON-M6ZN</b>	Plain washer Ø6	Rondelle plate M Ø6	
10	1	<b>O9010XSHFO</b>	Kit side guards short LSCO (pair)	Kit protection latérale court LSCO (paire)	L ≈ 213 mm
		<b>O9010XXXFO</b>	Kit side guards long LSCO (pair)	Kit protection latérale long LSCO (paire)	L ≈ 254 mm






Seat accessories

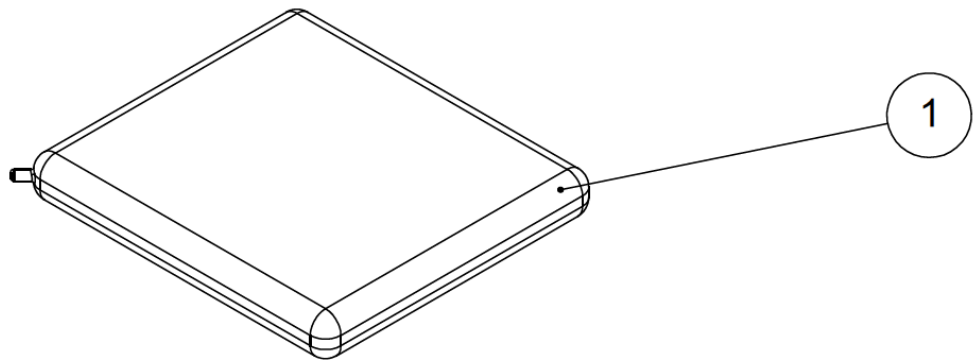
Lateral support

## Lateral support

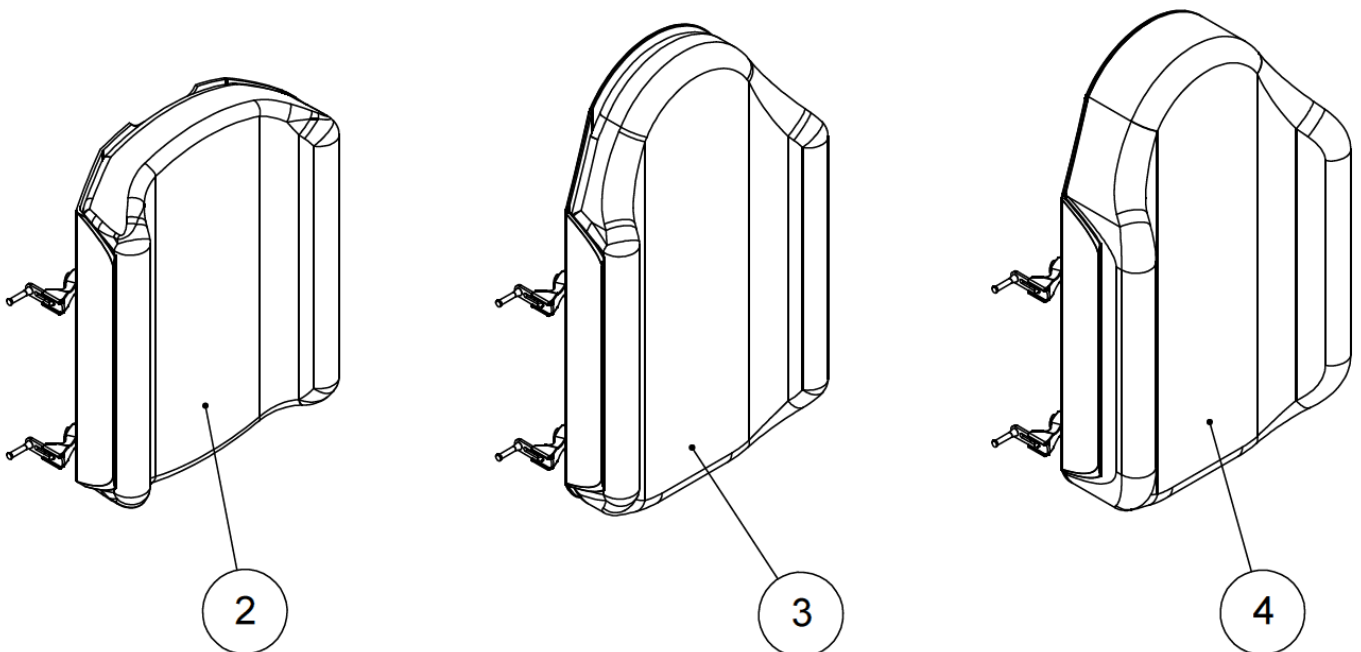
Pos	Qty	Stock Code	Description En	Description Fr	Remark
1	1	<b>P1822692</b>	Kit lateral support S (pair)	Kit support lateral S (paire)	Pad B: L1xL2 = 110x90 mm
		<b>P1822695</b>	Kit lateral support M (pair)	Kit support lateral M (paire)	Pad J: L1xL2 = 165x120 mm
		<b>P1822696</b>	Kit lateral support L (pair)	Kit support lateral L (paire)	Pad C: L1xL2 = 200x90 mm
		<b>P1822698</b>	Kit lateral support XL (pair)	Kit support lateral XL (paire)	Pad G: L1xL2 = 300x90 mm

<p><b>LSCT</b></p>	<p><b>SPARE PART CATALOG</b></p>		
<p>Item N° <b>325014</b></p>	<p>Revision <b>A</b></p>	<p>Date <b>23/07/2015</b></p>	<p>Page <b>62</b> of <b>63</b></p>
<p>Varilite accessories</p>			

**Varilite cushion**



**Varilite backrest**





Varilite accessories

Varilite accessories

Pos	Qty	Stock Code	Description En	Description Fr	Remark
1		<b>N-COZOI02</b>	Cushion Varilite ZOID 35x40 cm	Coussin Varilite ZOID 35x40 cm	
		<b>N-COZOI03</b>	Cushion Varilite ZOID 40x40 cm	Coussin Varilite ZOID 40x40 cm	
		<b>N-COZOI04</b>	Cushion Varilite ZOID 40x45 cm	Coussin Varilite ZOID 40x45 cm	
		<b>N-COZOI05</b>	Cushion Varilite ZOID 45x45 cm	Coussin Varilite ZOID 45x45 cm	
		<b>N-COZOI06</b>	Cushion Varilite ZOID 45x40 cm	Coussin Varilite ZOID 45x40 cm	
		<b>N-COZOI09</b>	Cushion Varilite ZOID 45x50 cm	Coussin Varilite ZOID 45x50 cm	
		<b>N-COZOI07</b>	Cushion Varilite ZOID 50x45 cm	Coussin Varilite ZOID 50x45 cm	
		<b>N-COZOI08</b>	Cushion Varilite ZOID 50x50 cm	Coussin Varilite ZOID 50x50 cm	
		<b>N-COEVO03</b>	Cushion Varilite EVOLUTION 35x40 cm	Coussin Varilite EVOLUTION 35x40 cm	
		<b>N-COEVO035</b>	Cushion Varilite EVOLUTION 35x45 cm	Coussin Varilite EVOLUTION 35x45 cm	
		<b>N-COEVO04</b>	Cushion Varilite EVOLUTION 40x40 cm	Coussin Varilite EVOLUTION 40x40 cm	
		<b>N-COEVO05</b>	Cushion Varilite EVOLUTION 40x45 cm	Coussin Varilite EVOLUTION 40x45 cm	
		<b>N-COEVO06</b>	Cushion Varilite EVOLUTION 40x50 cm	Coussin Varilite EVOLUTION 40x50 cm	
		<b>N-COEVO065</b>	Cushion Varilite EVOLUTION 43x43 cm	Coussin Varilite EVOLUTION 43x43 cm	
		<b>N-COEVO07</b>	Cushion Varilite EVOLUTION 45x40 cm	Coussin Varilite EVOLUTION 45x40 cm	
		<b>N-COEVO08</b>	Cushion Varilite EVOLUTION 45x45 cm	Coussin Varilite EVOLUTION 45x45 cm	
		<b>N-COEVO09</b>	Cushion Varilite EVOLUTION 45x50 cm	Coussin Varilite EVOLUTION 45x50 cm	
		<b>N-COEVO10</b>	Cushion Varilite EVOLUTION 50x40 cm	Coussin Varilite EVOLUTION 50x40 cm	
		<b>N-COEVO11</b>	Cushion Varilite EVOLUTION 50x45 cm	Coussin Varilite EVOLUTION 50x45 cm	
		<b>N-COEVO12</b>	Cushion Varilite EVOLUTION 50x50 cm	Coussin Varilite EVOLUTION 50x50 cm	
		2	1	<b>N-COSTR04</b>	Cushion Varilite STRATUS 35x40 cm
<b>N-COSTR05</b>	Cushion Varilite STRATUS 40x40 cm			Coussin Varilite STRATUS 40x40 cm	
<b>N-COSTR06</b>	Cushion Varilite STRATUS 40x45 cm			Coussin Varilite STRATUS 40x45 cm	
<b>N-COSTR07</b>	Cushion Varilite STRATUS 43x43 cm			Coussin Varilite STRATUS 43x43 cm	
<b>N-COSTR08</b>	Cushion Varilite STRATUS 45x40 cm			Coussin Varilite STRATUS 45x40 cm	
<b>N-COSTR09</b>	Cushion Varilite STRATUS 45x45 cm			Coussin Varilite STRATUS 45x45 cm	
<b>N-COSTR10</b>	Cushion Varilite STRATUS 50x45 cm			Coussin Varilite STRATUS 50x45 cm	
<b>N-COSTR11</b>	Cushion Varilite STRATUS 50x50 cm			Coussin Varilite STRATUS 50x50 cm	
<b>N-COEVO33</b>	Backrest Varilite EVOLUTION 36 cm			Dossier Varilite EVOLUTION 36 cm	
<b>N-COEVO34</b>	Backrest Varilite EVOLUTION 38 cm			Dossier Varilite EVOLUTION 38 cm	
3	1	<b>N-COEVO35</b>	Backrest Varilite EVOLUTION 40 cm	Dossier Varilite EVOLUTION 40 cm	
		<b>N-COEVO36</b>	Backrest Varilite EVOLUTION 43 cm	Dossier Varilite EVOLUTION 43 cm	
		<b>N-COEVO37</b>	Backrest Varilite EVOLUTION 45 cm	Dossier Varilite EVOLUTION 45 cm	
		<b>N-COEVO38</b>	Backrest Varilite EVOLUTION 50 cm	Dossier Varilite EVOLUTION 50 cm	
		<b>N-COEVO13</b>	Backrest Varilite EVOLUTION tall 36 cm	Dossier Varilite EVOLUTION haut 36 cm	
		<b>N-COEVO14</b>	Backrest Varilite EVOLUTION tall 38 cm	Dossier Varilite EVOLUTION haut 38 cm	
4	1	<b>N-COEVO15</b>	Backrest Varilite EVOLUTION tall 40 cm	Dossier Varilite EVOLUTION haut 40 cm	
		<b>N-COEVO16</b>	Backrest Varilite EVOLUTION tall 43 cm	Dossier Varilite EVOLUTION haut 43 cm	
		<b>N-COEVO17</b>	Backrest Varilite EVOLUTION tall 45 cm	Dossier Varilite EVOLUTION haut 45 cm	
		<b>N-COEVO18</b>	Backrest Varilite EVOLUTION tall 50 cm	Dossier Varilite EVOLUTION haut 50 cm	
		<b>N-COEVO43</b>	Backrest Varilite EVOLUTION deep 36 cm	Dossier Varilite EVOLUTION profond 36 cm	
		<b>N-COEVO44</b>	Backrest Varilite EVOLUTION deep 38 cm	Dossier Varilite EVOLUTION profond 38 cm	
		<b>N-COEVO45</b>	Backrest Varilite EVOLUTION deep 40 cm	Dossier Varilite EVOLUTION profond 40 cm	
		<b>N-COEVO46</b>	Backrest Varilite EVOLUTION deep 43 cm	Dossier Varilite EVOLUTION profond 43 cm	
		<b>N-COEVO47</b>	Backrest Varilite EVOLUTION deep 45 cm	Dossier Varilite EVOLUTION profond 45 cm	
		<b>N-COEVO48</b>	Backrest Varilite EVOLUTION deep 50 cm	Dossier Varilite EVOLUTION profond 50 cm	