

SPARE PART CATALOG

F3

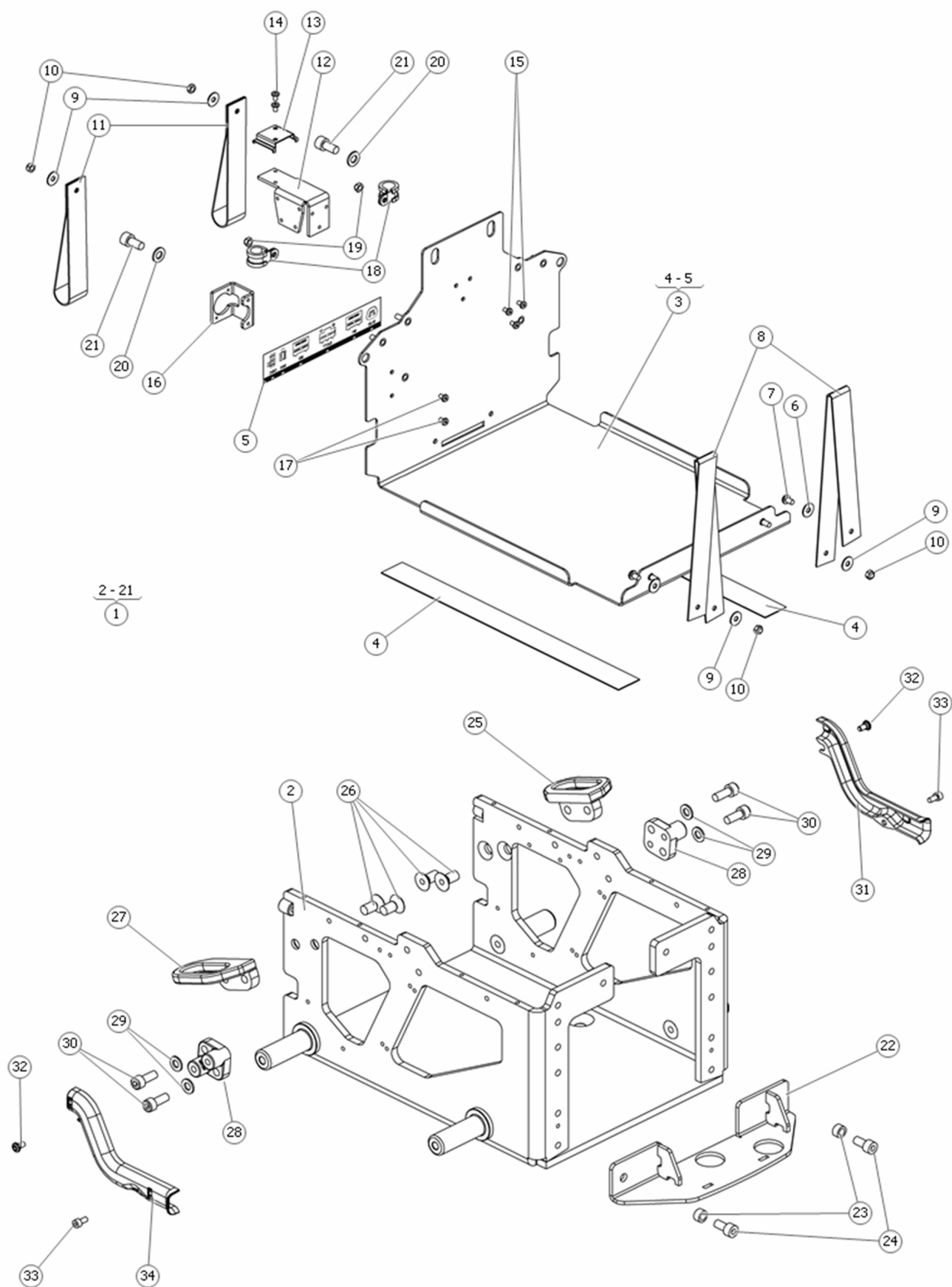
Permobil power wheelchair

permobil

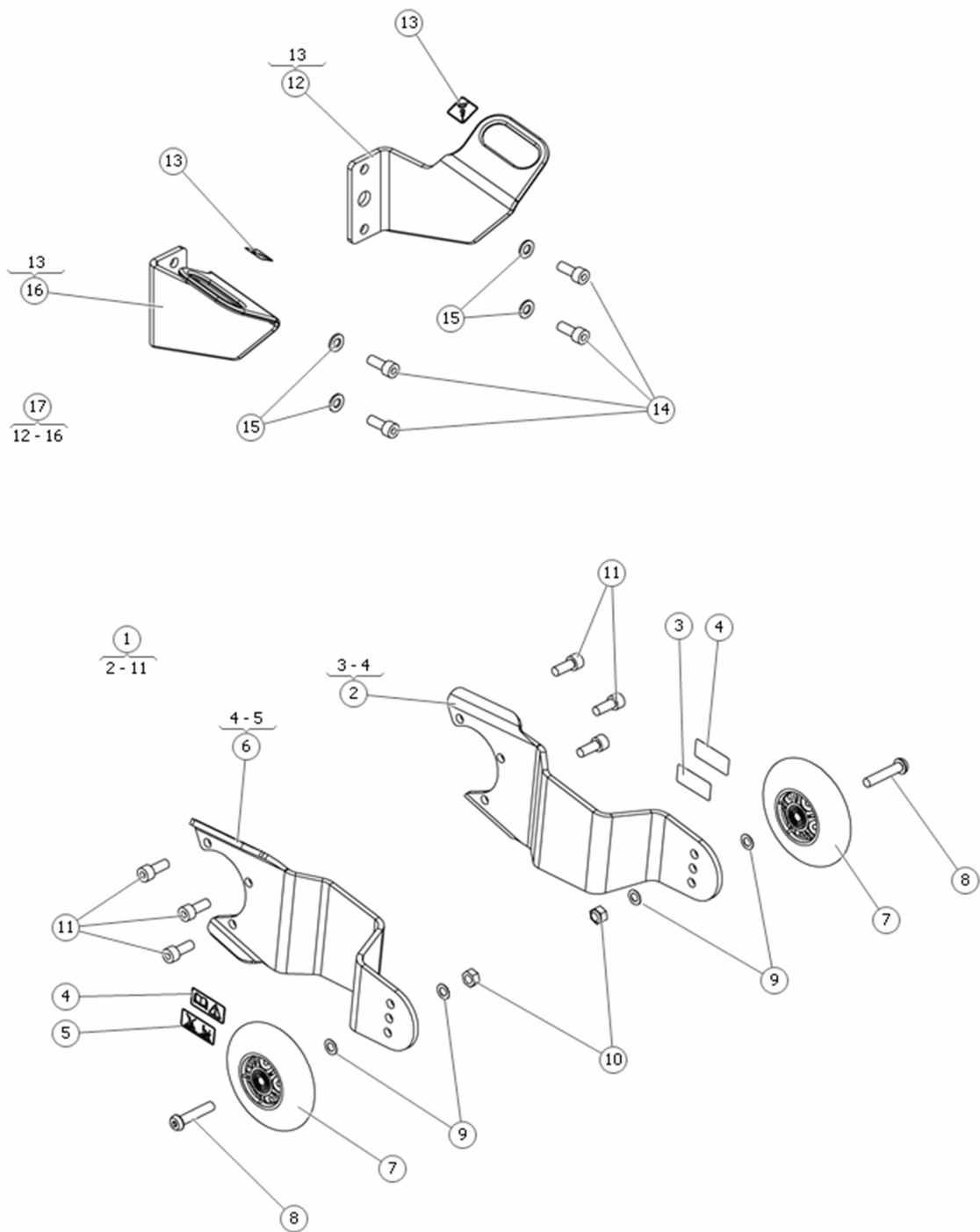
Contents

Chassis.....	
Support wheels.....	
Driving unit and suspension front left	
Wheel suspension rear left.....	
Driving unit and suspension front right	
Wheel suspension rear right.....	
Wheels.....	
Seat elevator AP-lift.....	
Covers	
Electronics R-net	
Lights.....	
Ordering Information.....	
Contact info.	

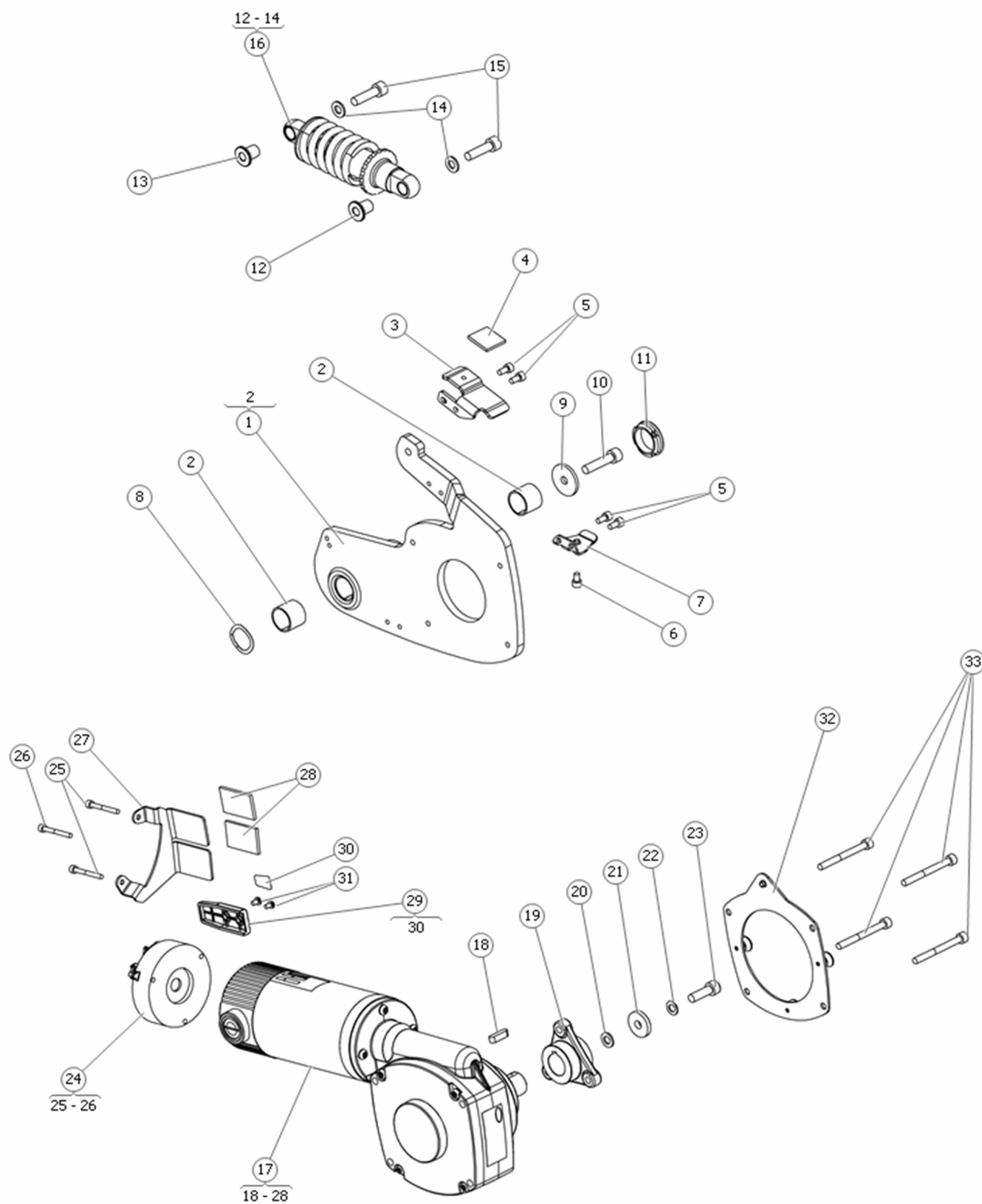
Produced and published by Permobil AB, Sweden
Release date 2015-03-01
PAB: 1293-1



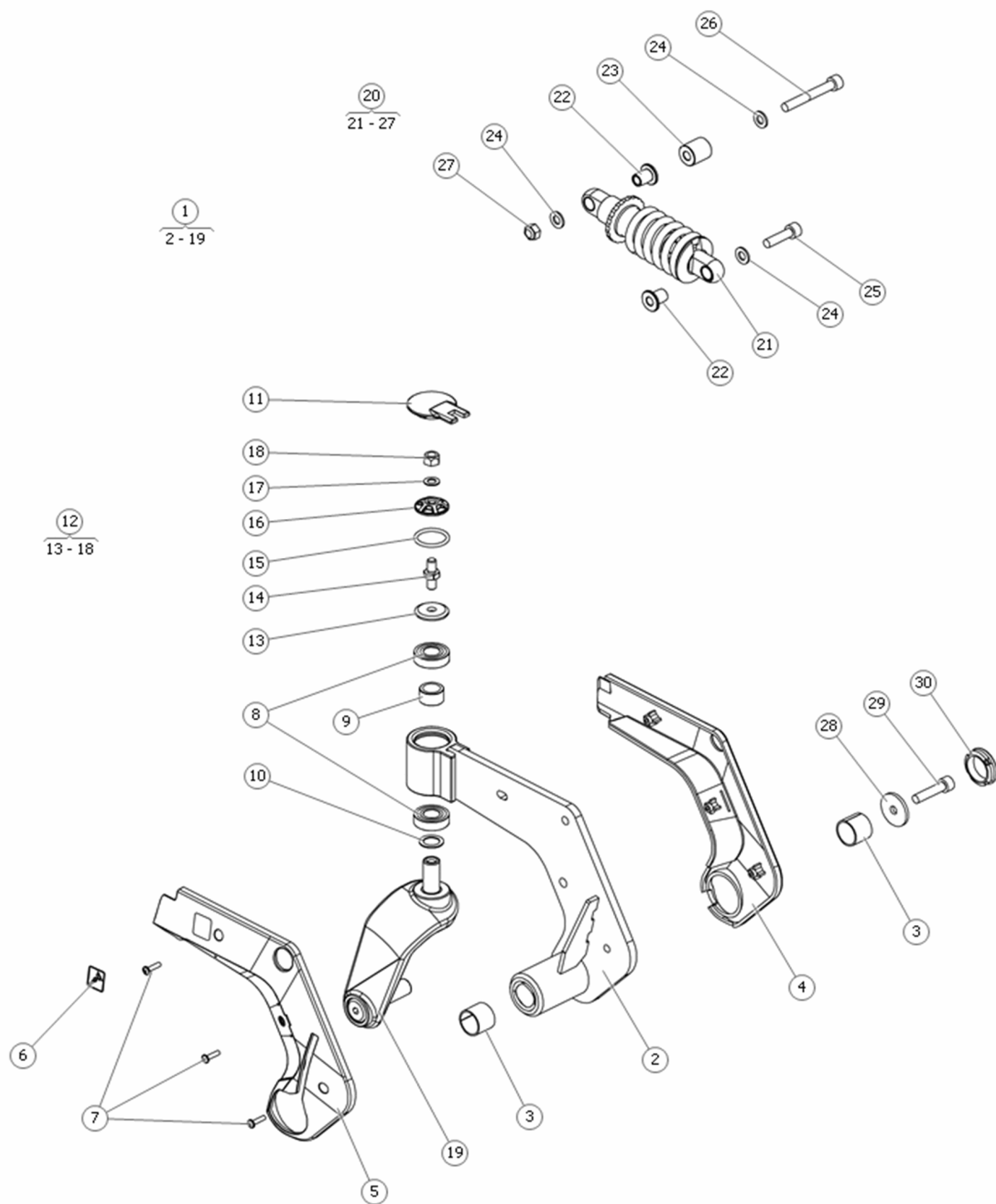
Pos	Qty	Stock Code	Description	Remark
1	1		CHASSI BOX	
2	1	1830710	CHASSILÅDA F5	
3	1		BATTERY BOX	
4	1		SLIDE TAPE L=340	
5	1	1831392	DEKAL ANSLUTNING	
6	1	612857-99-0	WASHER 5,3x15x1 FZB ISO 7	
7	1	1830763	SKRUV M5x8 MED LASNING	
8	1	1830716	SOPPREM BATTERISLÅDE F5	
9	1	612857-99-0	WASHER 5,3x15x1 FZB ISO 7	
10	1	600226-99-0	LÅSMUTTER M 5 fzb	
11	1	1830717	REM BATTERISLÅDE F5	
12	1		BRACKET	
13	1		BRACKET	
14	1	1827754	SCREW ISO 7380 M4x6 10.9	
15	1	1827754	SCREW ISO 7380 M4x6 10.9	
16	1		BRACKET	
17	1	1827754	SCREW ISO 7380 M4x6 10.9	
18	1	1830724	KABLAGE CLIP Ø 13	
19	1	600226-99-0	LÅSMUTTER M 5 fzb	
20	1	600239-99-0	BR BRB 8.4x16x1.6 fzb	
21	1	600590-99-0	SKRUV MC6S 8x 16 fzb	
22	1	1830747	FÄSTPLÅT NEDRE AP-LYFT	
23	1		SPACER	
24	1	600203-99-0	SKRUV MC6S 8x 20 fzb	
25	1		HOOK TIE DOWN REAR LEFT	
26	1		SCREW ISO 10642 M10x20 Fe/Zn	
27	1		HOOK TIE DOWN REAR RIGHT	
28	1		BRACKET	
29	1	600239-99-0	BR BRB 8.4x16x1.6 fzb	
30	1		SCREW ISO 4762 M8x20 Fe/Zn L.CDIN 267-28	
31	1	1831400	KABLAGERÄNNA MOTORKABEL	
32	1		SCREW	
33	1	600189-99-0	SKRUV MC6S 5x10 fzb	
34	1	1831401	KABLAGERÄNNA MOTORKABEL	



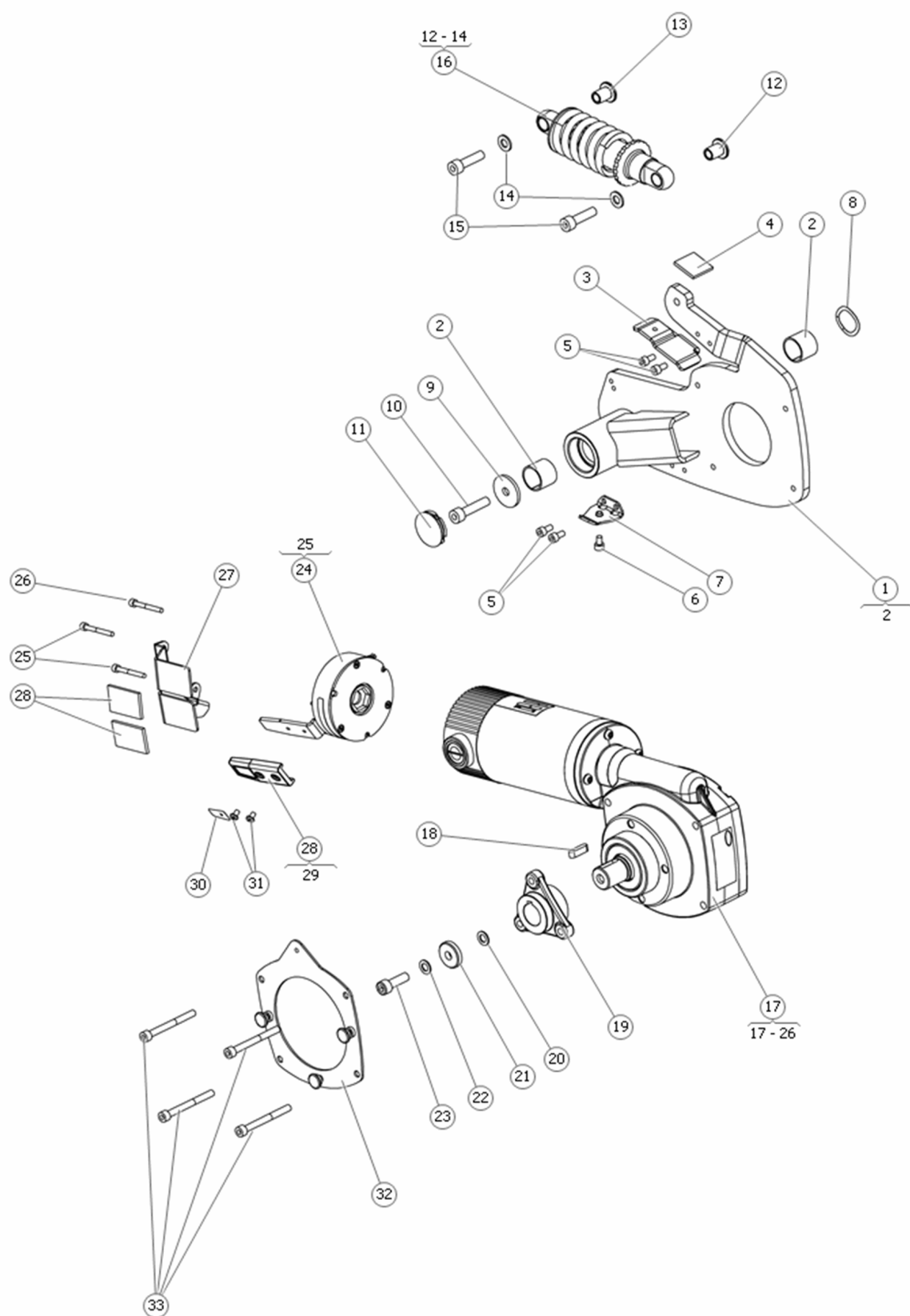
Pos	Qty	Stock Code	Description	Remark
1	1	1830752	STÖDHJULSSATS F5	
2	1	1831663	STÖDHJULSFÄSTE VÅ F5	
3	1	1831395	DEKAL STÖDHJUL VÅ	
4	1	1831394	DEKAL LÅS BRUKSANVISNING	
5	1	1831396	DEKAL STÖDHJUL HÖ	
6	1	1831664	STÖDHJULSFÄSTE HÖ F5	
7	1	1822017	HJUL STÖDHJUL 100x24	
8	1	613114-99-0	SKRUV M8x40 10.9 Fe/Zn 5	
9	1	612531-99-0	BR DB 8x14x0,5 DIN 988 A2	
10	1	600228-99-0	LASMUTTER M 8 fzb	
11	1	600203-99-0	SKRUV MC6S 8x 20 fzb	
12	1	1831742	FÄSTKROK FRAM VÅ	
13	1	1831397	DEKAL FÄSTKROK	
14	1	600203-99-0	SKRUV MC6S 8x 20 fzb	
15	1	600239-99-0	BR BRB 8.4x16x1.6 fzb	
16	1	1831743	FÄSTKROK FRAM HÖ	
17	1	1831238	TRANSPORTFÄSTE FRAM F5	



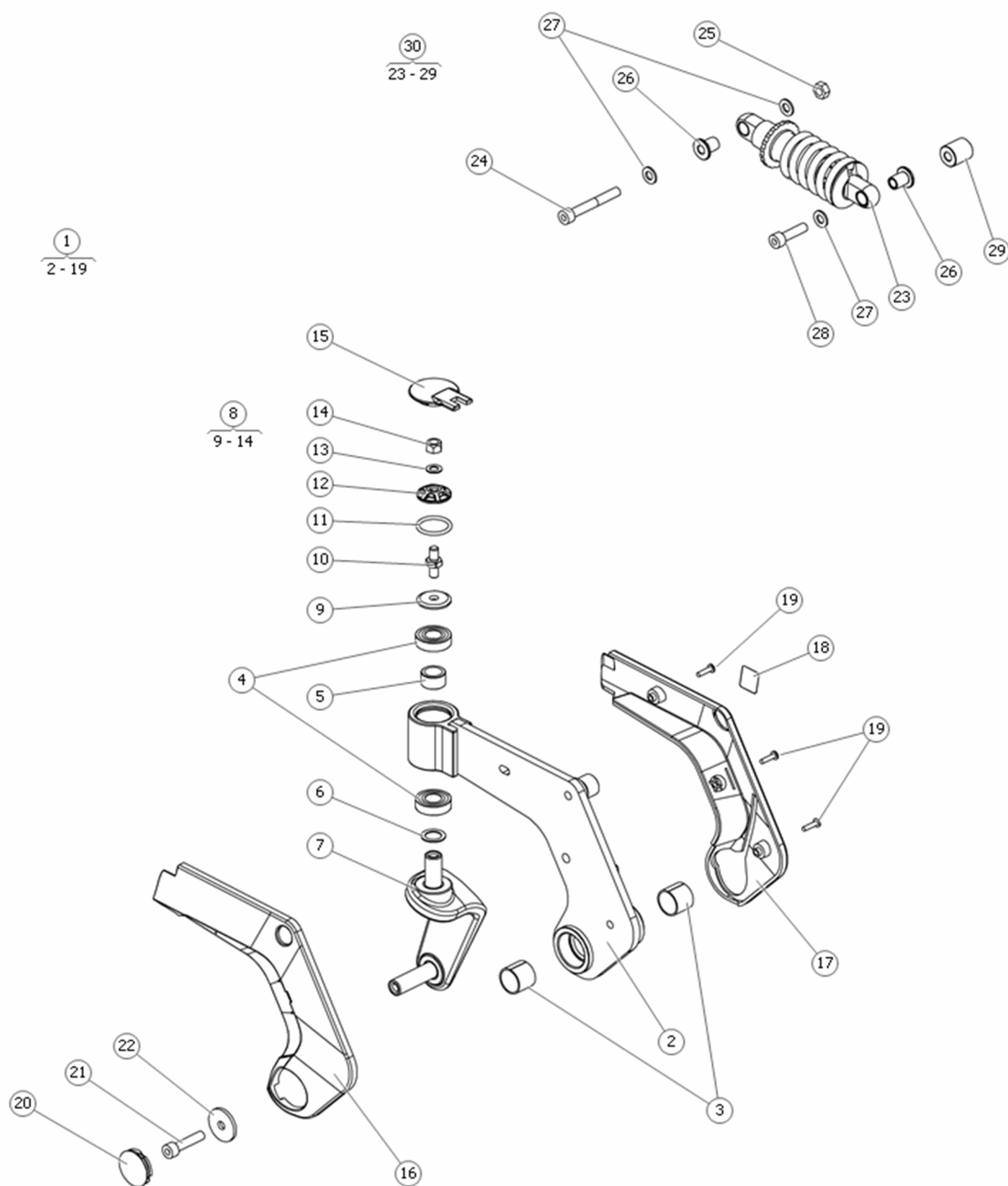
Pos	Qty	Stock Code	Description	Remark
1	1	1831290	SWING ARM FRONT LEFT F3	
2	1	612745-99-0	GLIDLAGER SBT 22x25x20	
3	1		BRACKET	
4	1		RECLOSABLE FASTENER 25 mm ADHESIVE	
5	1	600189-99-0	SKRUV MC6S 5x10 fzb	
6	1	600188-99-0	SKRUV MC6S 5x 8 fzb	
7	1		BRACKET	
8	1	1830715	FJÄDERBRICKA DIN 17222	
9	1	316714-99-0	BRICKA 32x 8,1x 3 LÄNKARM	
10	1	1830714	SKRUV INSEX M8x16 MED	
11	1	301146-00-0	PLASTPL HJUL CHHD TR CHP+	
12	1	1831707	HYLSA STÖTDÄMPARE	
13	1		SOCKET	
14	1	600239-99-0	BR BRB 8.4x16x1.6 fzb	
15	1	601075-99-0	SKRUV MC6S 8x 30 fzb ESL	
16	1	1831183	SHOCK ABSORBER INCL HDWR	Incl. hdwr.
17	1	1831167	DRIVM/GEAR 29:1 LEFT F3 C	
18	1	600855-99-0	KIL RK 6x 6x22 DRIVAXEL	
19	1		HUB Ø22x28,5	
20	1	612902-99-0	BR RBF 8,4x15x1,5 PA/e	
21	1	612513-99-0	BR 8.4x26x5 HB 305 GUL	
22	1	612531-99-0	BR DB 8x14x0,5 DIN 988 A2	
23	1	612512-99-0	SKRUV MC6S 8x 25 fzb ESL	
24	1	1831184	MAGNETIC WHEEL LOCK F3	
25	1	602233-99-0	SKRUV MC6S 4x35	
26	1		BOLT MC6S 4x30 BRAKE ROBASTOP	
27	1		BRACKET	
28	1		RECLOSABLE FASTENER 25,4 ADHESIVE	
29	1	1830712	BROMSFRIGÖRINGSHANDTAG F5	
30	1	1831390	DEKAL HANDTAG BROMSFRIGÖR	
31	1	1827754	SCREW ISO 7380 M4x6 10.9	
32	1		BRACKET	
33	1	601923-99-0	SKRUV MC6S 6x 60 fzb	



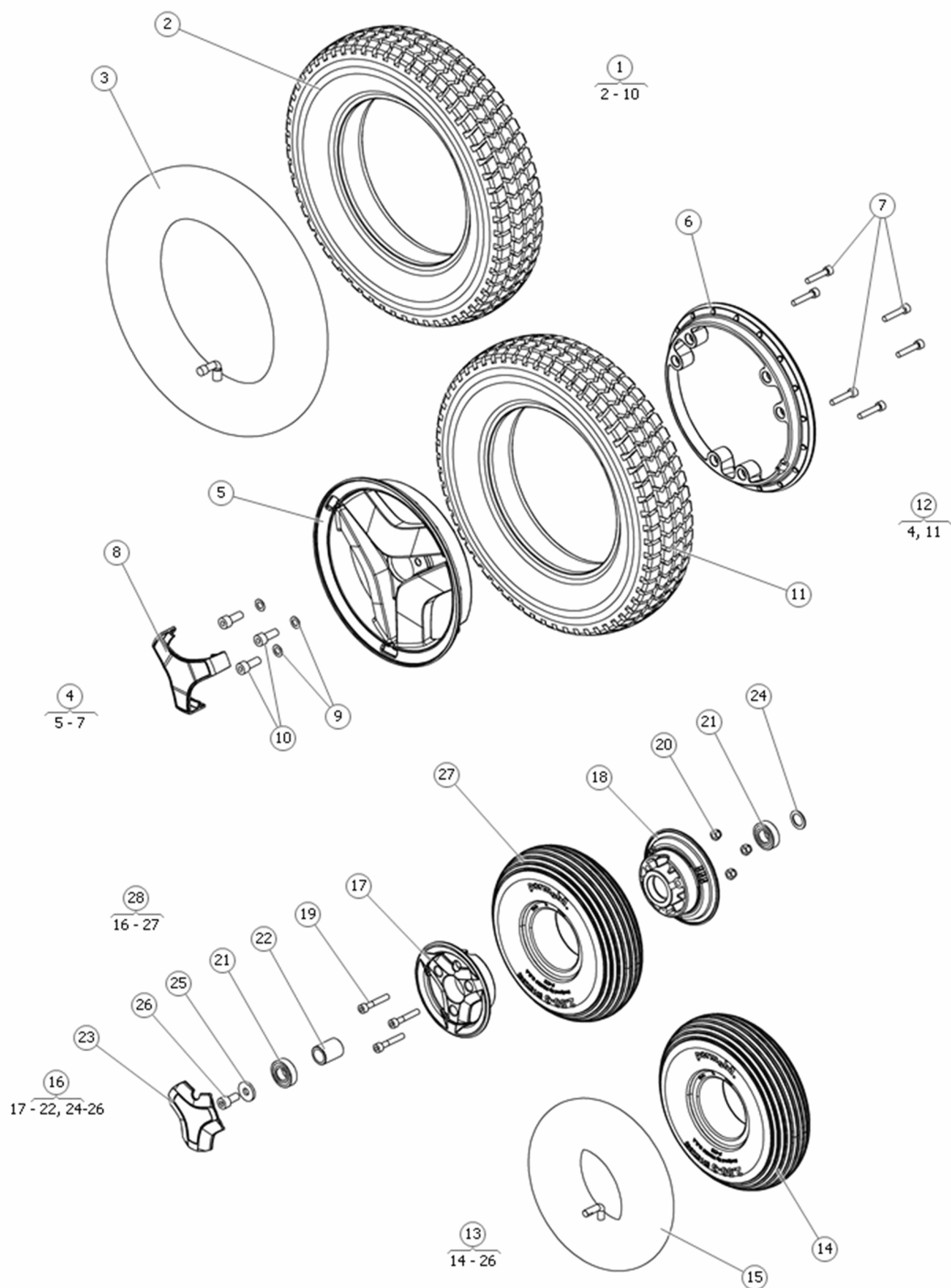
Pos	Qty	Stock Code	Description	Remark
1	1	1830753	SVÄNGARM BAK VÄ F5	
2	1		SWING ARM	
3	2	612745-99-0	GLIDLÄGER SBT 22x25x20	
4	1	1831546	KÅPA SVÄNGARM VÄ BAK	
5	1	1831545	KÅPA SVÄNGARM VÄ BAK	
6	1	1831397	DEKAL FÄSTKROK	
7	3		TAP SCREW 4x16 WN 156-2 FZB REMFORM	
8	2	600752-99-0	KULLÄGER 6002-2RS1	
9	1	1831010	SPACER Ø16xØ22x12.5	
10	1	1828317	BRICKA DB15x22x1 DIN988	
11	1	1830748	KÅPA HJULGAFFEL F5	
12	1	1826690	FRIKTIONSBRÖMSATS	
13	1		FRIKTIONSBRAKE	
14	1		FRIKTIONSBRAKE	
15	1	613957-99-0	GUMMIRING 25x3 70EPDM	
16	1		FRIKTIONSBRAKE	
17	1		SHIM WASHER	
18	1		PREVAILING TORQUE TYPE HEXAGON NUT	
19	1	1830755	HJULGAFFEL VÄ F5	
20	1	1831183	SHOCK ABSORBER INCL HDWR	
21	1		Shock absorber 160mm 350LBS/IN	
22	2	1831707	HYLSA STÖTDÄMPARE	
23	1	1831705	DISTANS FJÄDRING F5	
24	3	600239-99-0	BR BRB 8.4x16x1.6 fzb	
25	1	601075-99-0	SKRUV MC6S 8x 30 fzb ESL	
26	1	600719-99-0	SKRUV MC6S 8x 60 fzb	
27	1	600228-99-0	LÄSMUTTER M 8 fzb	
28	1	316714-99-0	BRICKA 32x 8,1x 3 LÄNKARM	
29	1	1830714	SKRUV INSEX M8x16 MED	
30	1	301146-00-0	PLASTPL HJUL CHHD TR CHP+	



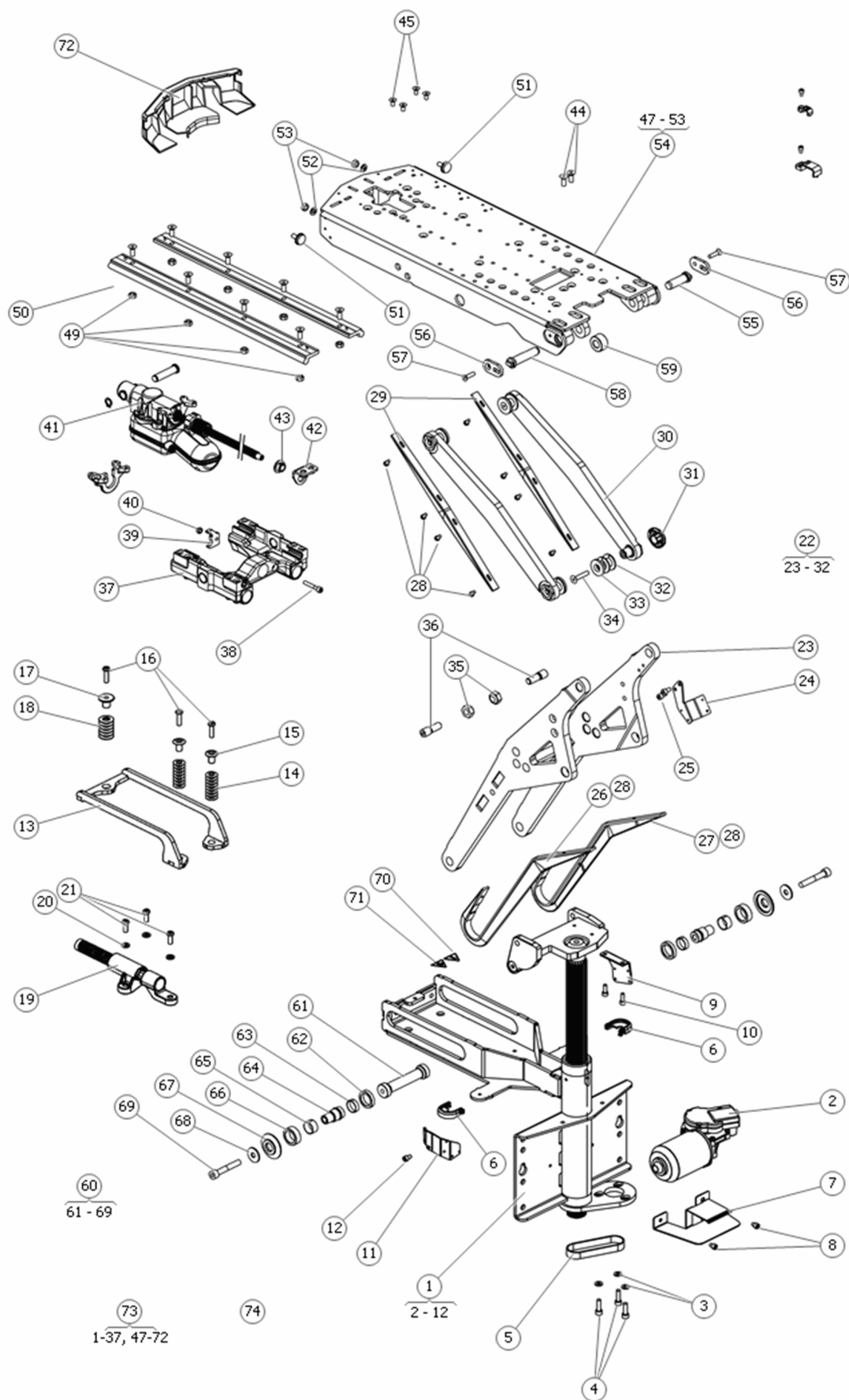
Pos	Qty	Stock Code	Description	Remark
1	1	1831291	SWING ARM FRONT RIGHT F3	
2	1	612745-99-0	GLIDLAGER SBT 22x25x20	
3	1		BRACKET	
4	1		RECLOSABLE FASTENER 25 mm ADHESIVE	
5	1	600189-99-0	SKRUV MC6S 5x10 fzb	
6	1	600188-99-0	SKRUV MC6S 5x 8 fzb	
7	1		BRACKET	
8	1	1830715	FJÄDERBRICKA DIN 17222	
9	1	316714-99-0	BRICKA 32x 8,1x 3 LÄNKARM	
10	1	1830714	SKRUV INSEX M8x16 MED	
11	1	301146-00-0	PLASTPL HJUL CHHD TR CHP+	
12	1	1831707	HYLSA STÖTDÄMPARE	
13	1		SOCKET	
14	1	600239-99-0	BR BRB 8.4x16x1.6 fzb	
15	1	601075-99-0	SKRUV MC6S 8x 30 fzb ESL	
16	1	1831183	SHOCK ABSORBER INCL HDWR	Incl. hdwr.
17	1	1831168	DRIVM/GEAR 29:1 RIGHT F3	
18	1	600855-99-0	KIL RK 6x 6x22 DRIVAXEL	
19	1		HUB Ø22x28,5	
20	1	612902-99-0	BR RBF 8,4x15x1,5 PA/e	
21	1	612513-99-0	BR 8.4x26x5 HB 305 GUL	
22	1	612531-99-0	BR DB 8x14x0,5 DIN 988 A2	
23	1	612512-99-0	SKRUV MC6S 8x 25 fzb ESL	
24	1	1831184	MAGNETIC WHEEL LOCK F3	
25	1	602233-99-0	SKRUV MC6S 4x35	
26	1		BOLT MC6S 4x30 BRAKE ROBASTOP	
27	1		BRACKET	
28	1	1830712	BROMSFRIGÖRINGSHANDTAG F5	
28	1		RECLOSABLE FASTENER 25,4 ADHESIVE	
30	1	1831390	DEKAL HANDTAG BROMSFRIGÖR	
31	1	1827754	SCREW ISO 7380 M4x6 10.9	
32	1		BRACKET	
33	1	601923-99-0	SKRUV MC6S 6x 60 fzb	



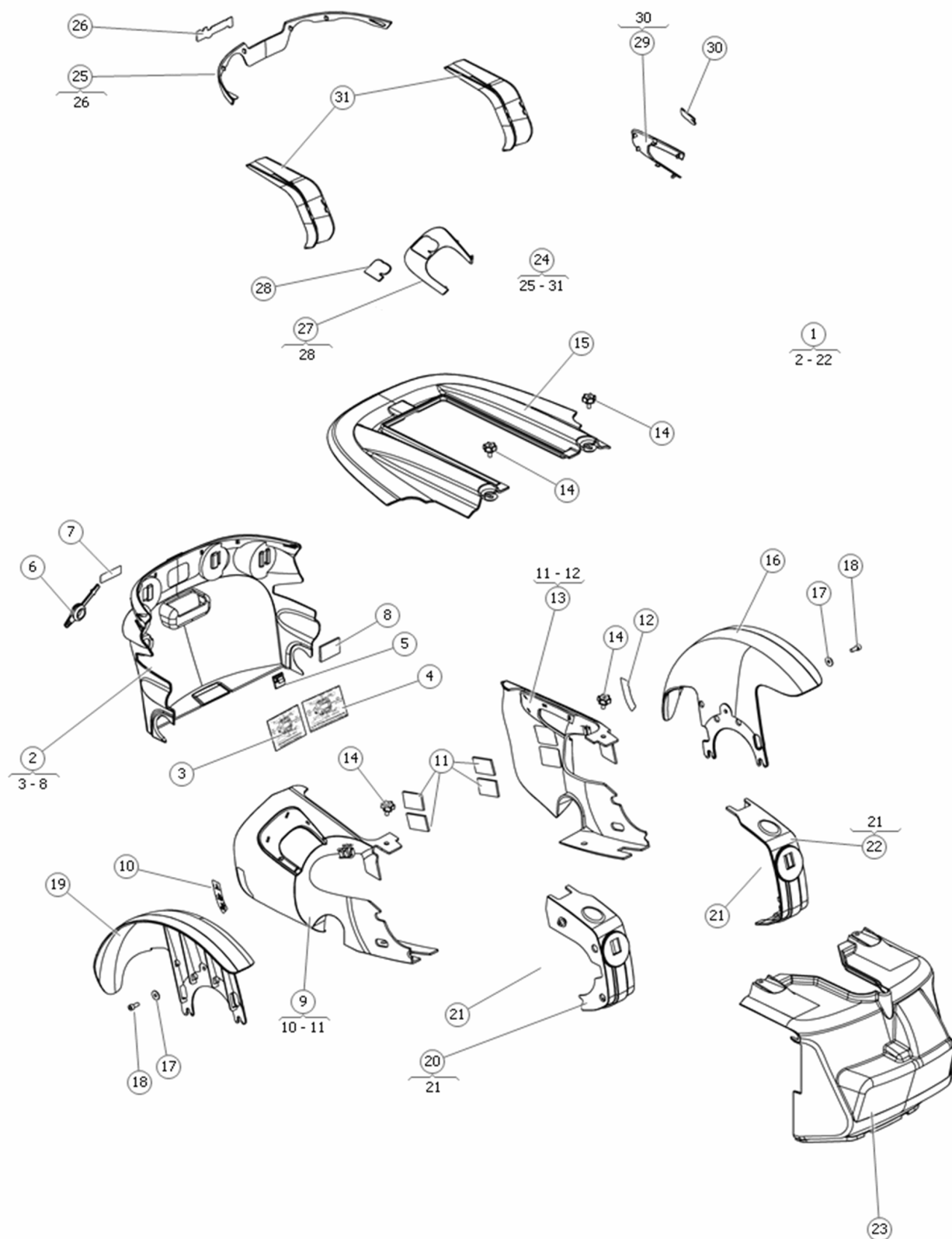
Pos	Qty	Stock Code	Description	Remark
1	1	1830754	SVÄNGARM BAK HÖ F5	
2	1		SWING ARM REAR RIGHT	
3	1	612745-99-0	GLIDLÄGER SBT 22x25x20	
4	1	600752-99-0	KULLÄGER 6002-2RS1	
5	1	1831010	SPACER Ø16xØ22x12,5	
6	1	1828317	BRICKA DB15x22x1 DIN988	
7	1	1830756	HJULGAFFEL HÖ F5	
8	1	1826690	FRIKTIONSBROMSSATS	
9	1		FRIKTIONSBRAKE PLATE LOWER	
10	1		FRIKTIONSBRAKE SHAFT	
11	1	613957-99-0	GUMMIRING 25x3 70EPDM	
12	1		FRIKTIONSBRAKE ADJUSTMENT UPPER	
13	1		SHIM WASHER DIN 988 BR DB 8x14x1	
14	1		NUT DIN 980V M8 Fe/Zn	
15	1	1830748	KÅPA HJULGAFFEL F5	
16	1	1831548	KÅPA SVÄNGARM HÖ	
17	1	1831547	KÅPA SVÄNGARM HÖ BAK	
18	1	1831397	DEKAL FÄSTKROK	
19	1		TAP SCREW 4x16 WN 156-2 FZB REMFORM	
20	1	301146-00-0	PLASTPL HJUL CHHD TR CHP+	
21	1	1830714	SKRUV INSEX M8x16 MED	
22	1	316714-99-0	BRICKA 32x 8,1x 3 LÄNKARM	
23	1		SHOCK ABSORBER 160mm 350LBS/IN	
24	1	600719-99-0	SKRUV MC6S 8x 60 fzb	
25	1	600228-99-0	LÅSMUTTER M 8 fzb	
26	1	1831707	HYLSA STÖTDÄMPARE	
27	1	600239-99-0	BR BRB 8.4x16x1.6 fzb	
28	1	601075-99-0	SKRUV MC6S 8x 30 fzb ESL	
29	1	1831705	DISTANS FJÄDRING F5	
30	1	1831183	SHOCK ABSORBER INCL HDWR	



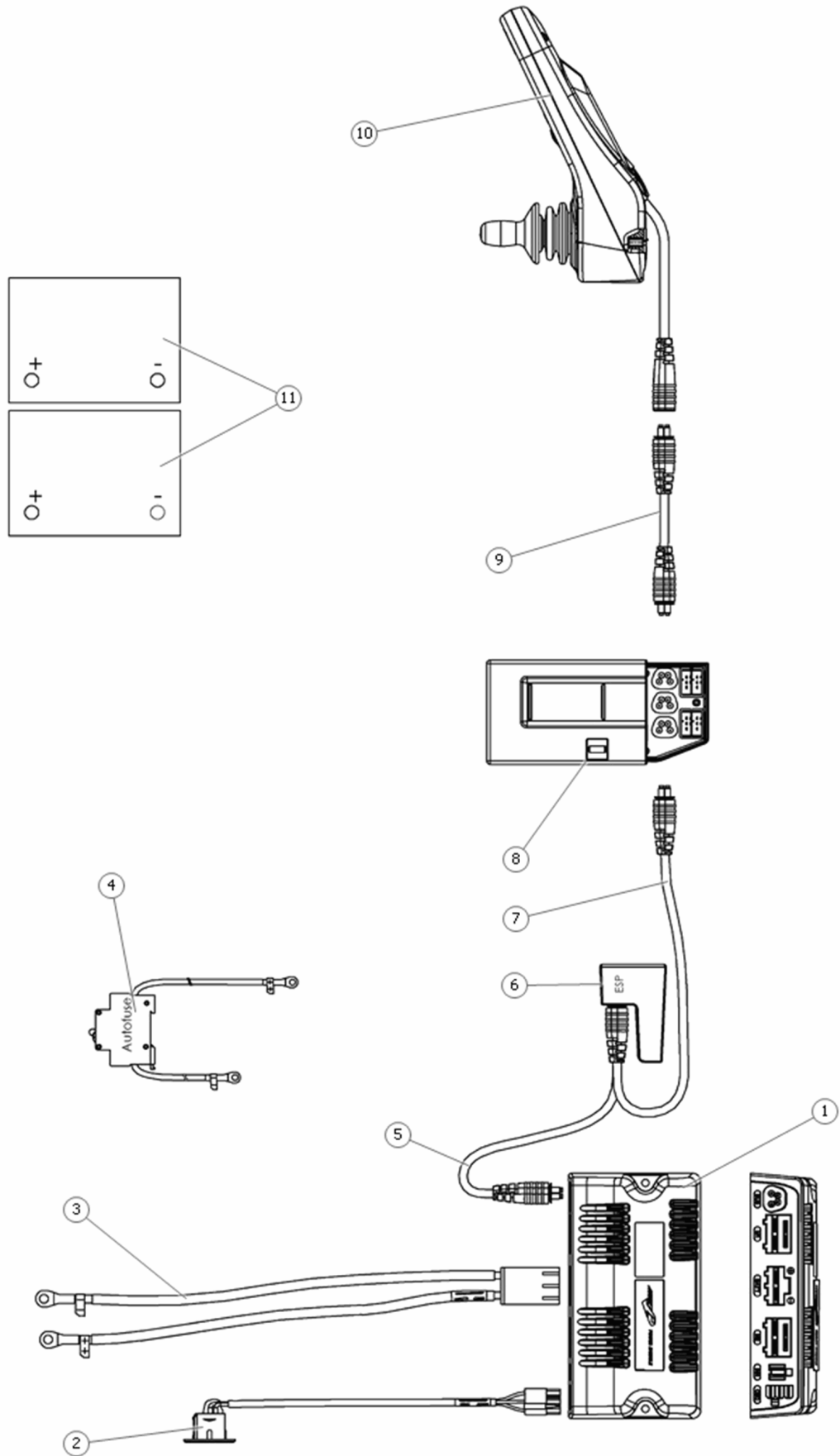
Pos	Qty	Stock Code	Description	Remark
1	1	1830891	HJUL 3.00-8 LUFT GRA	With gray tire
1	1	1830892	HJUL 3.00-8 LUFT SVART	With black tire
2	1	1824843	DÄCK 3.00-8 LUFT FRAM GRÄ	Tire color: Gray
2	1	1830765	DÄCK LUFT 3.00x8 SVART	Tire color: Black
3	1	600770-99-0	SLANG 3.00- 8 FRAM CH2k	
4	1	1830991	FÄLG DRIVHJUL F5	
5	1		Rim half outer	
6	1		Rim half inner	
7	1		Screw ISO 4762 M6x30 Fe/Zn L.C	
8	1	1830781	NAVKPSEL FRAM F5 INKL	Incl. reflector sticker
9	1	612531-99-0	BR DB 8x14x0,5 DIN 988 A2	
10	1	600203-99-0	SKRUV MC6S 8x 20 fzb	
11	1	1822361	DÄCK 3.00-8" SOLID	Tire color: gray
11	1	1830767	DÄCK SOLID 3.00x8 SVART	Tire color: Black
12	1	1830893	HJUL 3.00-8 SOLID GRA	With gray tire
12	1	1830894	HJUL 3.00-8 SOLID SVART	With black tire
12	1	1831687	HJUL 3.00x8 SOLID SVART	With black tire
13	1	1830777	HJUL LUFT 210x65 GRA	Tire color: Gray
13	1	1830778	HJUL LUFT 210x65 SVART	Tire color: Black
14	1	1830790	DÄCK LUFT 210x65 SVART	Tire color: Black
14	1	602569-08-0	DÄCK 210x65 LUFT	Tire color: Gray
15	1	602568-99-0	SLANG 210x65 BAK CH2k	
16	1	1830997	FÄLG PIVOTHJUL F5	
17	1		Rim half outer	
18	1		Rim half inner	
19	1	601333-99-0	SKRUV MC6S 6x 35 fzb	
20	1	602799-99-0	MUTTER LÄS M6 HÖG fzb	
21	1	600752-99-0	KULLAGER 6002-2RS1	
22	1	316386-99-0	SPACER	
23	1	1830770	NAVKAPSEL PIVOTHJUL F5	
24	1	1828317	BRICKA DB15x22x1 DIN988	
25	1	305390-99-0	BR 8.5x23x3 fzb	
26	1	613088-99-0	SKRUV MC6S 8x 16 fzb ESL	
27	1	1830791	DÄCK SOLID 210x65 SVART	Tire color: Black
27	1	612397-08-0	DÄCK 210x65 SOLID	Tire color: Gray
28	1	1830779	HJUL SOLID 210x65 GRÄ	Tire color: Gray
28	1	1830780	HJUL SOLID 210x65 SVART	Tire color: Black
28	1	1831688	HJUL 210x65 SOLID SVART	Tire color: Black



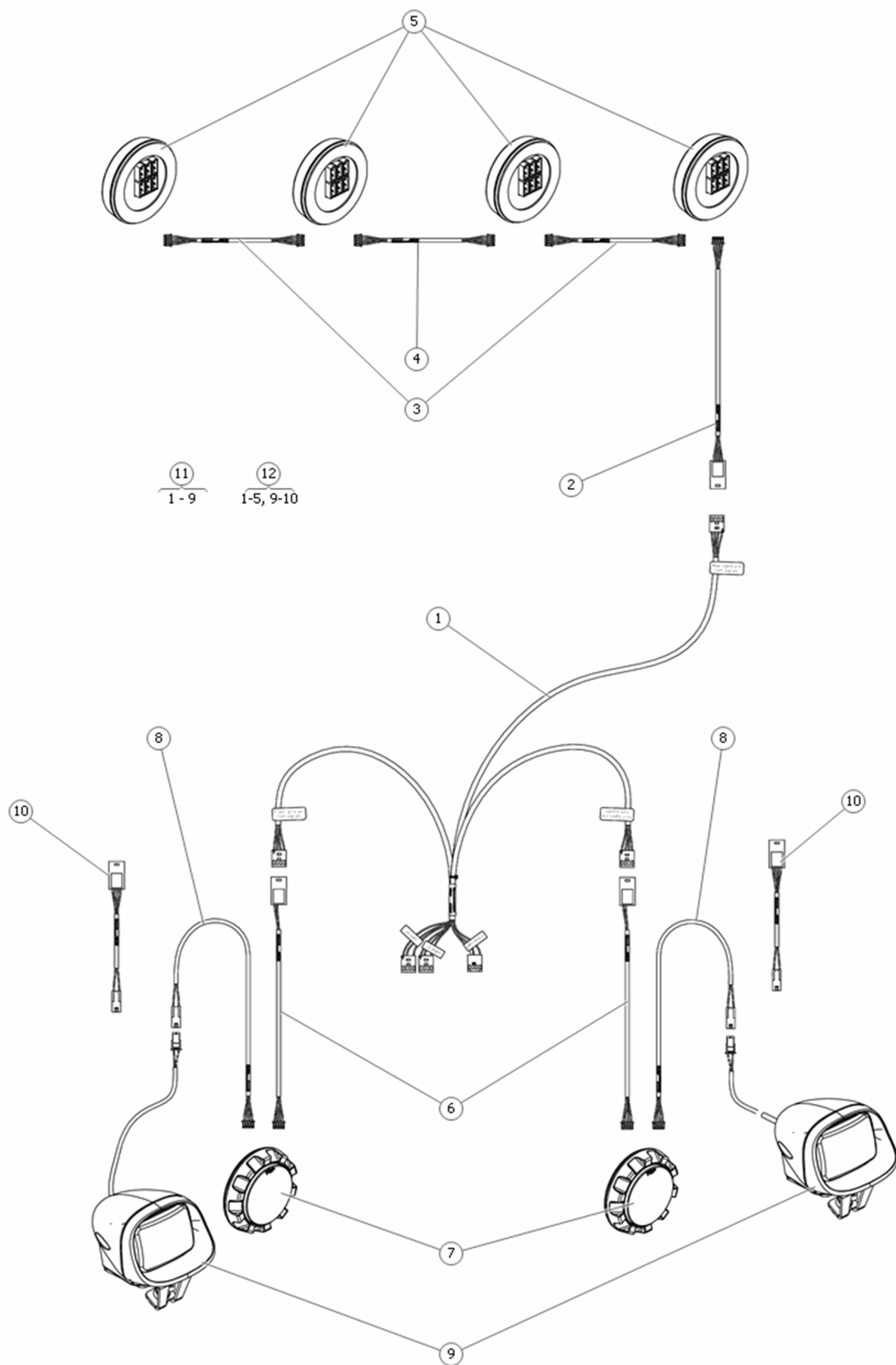
Pos	Qty	Stock Code	Description	Remark
1	1	1831116	SEAT ELEVATOR AP ELEVAT/a	
2	1	1831286	SITSLYFTSMOTOR AP-LYFT F5	
3	1	600238-99-0	BR BRB 6.4x12x1.6 fzb	
4	1	600194-99-0	SKRUV MC6S 6x 20 fzb	
5	1		Timing belt	
6	1	1831287	KORTSLUTNINGSSKYDD AP	
7	1		Holder electronics	
8	1	601126-99-0	SKRUV MC6S 5x 6 fzb	
9	1		Cable bracket	
10	1	600190-99-0	SKRUV MC6S 5x14 fzb	
11	1		Bracket	
12	1	600188-99-0	SKRUV MC6S 5x 8 fzb	
13	1		Bow	
14	1		Disc spring DIN 2093 9,2x18x0,7	
15	1		Socket disc spring	
16	1	602397-99-0	SKRUV K6S 6x22 fzb	
17	1		Socket disc spring	
18	1		Disc spring DIN 2093 11,2x22,5x0,8	
19	1	1831009	MJUKSTOPPSATS AP-LYFT	
20	1	600238-99-0	BR BRB 6.4x12x1.6 fzb	
21	1	601675-99-0	SKRUV K6S 6x16 fzb	
22	1		Frame kit	
23	1		Frame lower	
24	1		Bracket	
25	1	600190-99-0	SKRUV MC6S 5x14 fzb	
26	1		Pinchguard Right lower	
27	1		Pinchguard Left	
28	1		Screw ISO 7380 M4x8 Fe/Zn	
29	1		Pinchguard arm	
30	1		Arm right/left	
31	1		Cover	
32	1		Slip washer 14/26x1,5 SBT	
33	1		Washer	
34	1	600735-99-0	SKRUV MF6S 6x25 fzb	
35	1	600229-99-0	LÄSMUTTER M10 fzb	
36	1		Pin bolt	
37	1		Carriage	
38	1	600196-99-0	SKRUV MC6S 6x 30 fzb	
39	1	1831283	LÄSBRICKA STÄLLDON	
40	1	600227-99-0	LÄSMUTTER M 6 fzb	
41	1	1831281	STÄLLDON SITSVIKLING AP	
42	1		Bracket	
43	1		Bearing	
44	1	600541-99-0	SKRUV MF6S 6x16 fzb	
45	1	601708-99-0	SKRUV MF6S 5x10 fzb	
49	1	600232-99-0	MUTTER M6M 6 fzb	
50	1		Parallel pin	
51	1	1831550	GUMMISTOPP AP-LYFT BAK	
52	1	600238-99-0	BR BRB 6.4x12x1.6 fzb	
53	1	600232-99-0	MUTTER M6M 6 fzb	
54	1		Plat	
55	1		Shaft	
56	1		Lock plate	
57	1	600209-99-0	SKRUV MF6S 5x20 fzb	
58	1		Shaft	
59	1		Socket L=13,5 Ø25/12,2	
60	1	1831284	SPÄRHJULSATS AP-LYFT	
61	1		Shaft Ø22 L=90,5	
62	1		Roller	
63	1		Slide bearing 18/20x6 SBT	
64	1		Shaft	
65	1		Slide bearing 18/20x10 SBT	
66	1		Roller	
67	1		Washer	
68	1		Washer ISO 7093-1 8,4x24x2 Fe/Zn	
69	1	600276-99-0	SKRUV MC6S 8x 50 fzb	
70	1	1831398	DEKAL VARNING	
71	1	1831391	DEKAL KLÄMRISK	
72	1		Cover	
73	1	1831371	AP-LYFT BARA SITSVINKLING	
74	1	1831372	AP-LYFT FAST	



Pos	Qty	Stock Code	Description	Remark
1	1	1831381	COVER KIT BASIC BLACK STR	
2	1	1831755	KAPA BAK F5	
3	1		STICKER Battery connections/Fuses	
4	1		STICKER Battery connection	
5	1	602615-99-0	BUNTBANDSFÄSTE ACC19-A-C	
6	1		PLUG ELECTRONIC	
7	1	1831393	DEKAL HUVUDBRYTARE	
8	1		RECLOSABLE FASTENER 25.4 ADHESIVE	
9	1	1831776	COVER SWINGARM F3 RIGHT M	
10	1	1831389	DEKAL BROMSFRIGÖRNING HÖ	
11	1		RECLOSABLE FASTENER 25.4 ADHESIVE	
12	1	1831388	DEKAL BROMSFRIGÖRNING VÅ	
13	1	1831774	COVER SWINGARM F3 LEFT MO	
14	1	613890-99-0	LÅSRATT M5X10 LOW	
15	1	1831756	KAPA MITT F5	
16	1	1831777	FENDER FRONT LEFT F3 BLAC	
17	1	612857-99-0	WASHER 5,3x15x1 FZB ISO 7	
18	1	600169-99-0	SKRUV MC6S 5x12 fzb	
19	1	1831778	FENDER FRONT RIGHT F3 BLA	
20	1	1831775	COVER SWINGARM F3 RIGHT G	
21	1		RECLOSABLE FASTENER 25.4 ADHESIVE	
22	1	1831773	COVER SWINGARM F3 LEFT GE	
23	1	1830897	KAPA FRAM F5	
24	1	1831382	COVER KIT GALACTIC GREEN	
24	1	1831383	COVER KIT MIDNIGHT BLACK	
24	1	1831384	COVER KIT OCEAN BLUE F3	
24	1	1831385	COVER KIT POWER PINK F3	
24	1	1831386	COVER KIT RADIANT RED F3	
24	1	1831387	COVER KIT SUNBURST ORANGE	
25	1		COVER REAR F5 ACCENT DETAIL w. STICKER	
26	1	1828133	DEKAL PERMOBIL	
27	1		COVER SWINGARM F3 RIGHT/FRONT ACCENT DETAIL w. STICK...	
28	1		DECAL F3 CHASSI RIGHT	
29	1		COVER SWINGARM F3 LEFT/FRONT ACCENT DETAIL w. STICKER	
30	1		DECAL F3 CHASSI LEFT	
31	1		COVER REAR SWINGARM ACCENT DETAIL	



Pos	Qty	Stock Code	Description	Remark
1	1	1821539	ELEKTRONIK R-NET PM80/e	
1	1	1822393	ELEKTRONIK R-NET PM120	
1	1	1825774	ELEKTRONIK R-NET PM90	
2	1	1830727	KABLAGE LADDKONTAK F5	
3	1	1830719	KABLAGE BATTERI F5	
4	1	1830726	KABLAGE HUVUDSÅKRING F5	
5	1	1830720	KABLAGE BUSS R-NET 300	L=300mm
6	1	1822804	ESP MODUL R-NET	
7	1	1830721	KABLAGE R-NET BUS 700	L=700mm
8	1	1830728	KRETSKORT ICS MASTER V.2	
9	1	1821526	KABL ÖVRE 2,5M R-NET	L=2500mm
10	1	1822389	M.PANEL R-NET JSM-L-SW	
10	1	1822390	M.PANEL VIPPARM R-NET JSM	
10	1	1825746	M.PANEL R-NET CJSM-L-SW	
10	1	1825758	M.PANEL R-NET JSM-LED	
10	1	1831273	MANÖVERPANEL CJSM2 R-NET	
11	1	602130-99-0	ACKU MK 12-73AH GELE	



Pos	Qty	Stock Code	Description	Remark
1	1	1830771	KABL. BELYSNING/BLINKERS	
2	1	1830775	KABL. BELYSNING/BLINKERS	L=140mm
3	1	1830152	KABLAGE ICS LYSE/BLINKERS	L=100mm
4	1	1830774	KABL. BELYSNING/BLINKERS	L=280mm
5	1	1830147	LYSE/BLINKERS BAK LED	Red reflector
6	1	1830773	KABL. BELYSNING/BLINKERS	
7	1	1830146	BLINKERS FRAM LED	
8	1	1830772	KABLAGE BELYSNING 420	
9	1	1830760	BELYSNING FRAM F5 INKL	
10	1	1830776	KABLAGE BELYSNING 280	L=280mm
11	1	1830761	BELYSNINGSSATS F5 INKL	
12	1	1830762	LIGHT KIT LED GERMANY	

Ordering information

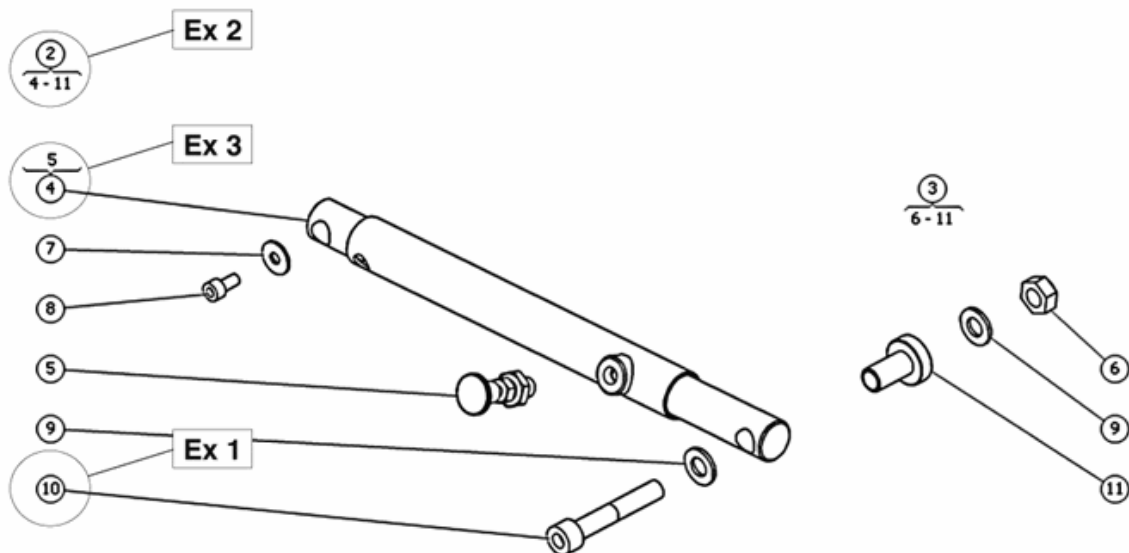
When you order spare parts, the following must always be specified:

- The product model (for example, power wheelchair C300).
- The description of the part. Always use the description used in this catalog.
- The entire part number.
- The quantity.

NB! In some cases, parts appear in the spare part catalog without a part number. This means that the part cannot be ordered from Permobil. We have, however, chosen to describe it for your information. Standard components such as screws, nuts, washers and similar parts can be purchased in an ordinary shop using the information in this catalog.

Parts

A part consists of one or more parts. If a part consists of several parts, a bracket in connection with the part's item bubble is used to show the parts included in the part in the exploded views. See examples 1, 2 and 3.



Example 1:

Position 10 refers to a single part, a screw.

Example 2:

Position 2 is a spare part consisting of the positions from 4 to 11.

Example 3:

Position 4 is an article that also includes position 5. In these cases the article or articles which referred to in the bracket, are pre-assembled on the main article (position 4).

Spare Parts Catalog

CONTACT PERMOBIL:

Permobil AB

Box 120

861 23 Timrå

Sverige

Tel: 060-59 59 00

Fax: 060-57 52 50

E-post: info@permobil.se

Permobil Inc. USA

300 Duke Drive

Lebanon, TN 37090

USA

Phone: 800-736-0925

Fax: 800-231-3256

Email: info@permobilusa.com

Permobil AS

Industriveien 16

Postboks 60

1483 Hagan Norge

Tlf. 815 30 077

Fax. 815 33 655

E-post: firmapost@permobil.no

Permobil Benelux BV

De Beitel 11

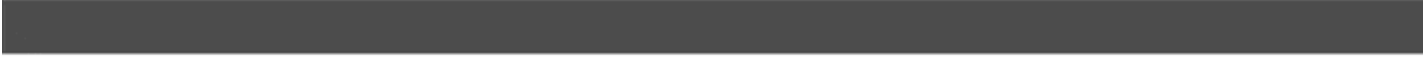
6466 GZ Kerkrade

Nederland

Tel: +31 (0)45 564 54 80

Fax: +31 (0)45 564 54 81

Email: info@permobil.nl



permobil
THE POWER OF MOBILITY