

SPARE PARTS CATALOG

RESERVDELSKATALOG

M3

Permobil power wheelchair
Permobil elrullstol

permobil

Contents

Chassis.....

Swing arm front right.....

Swing arm front left.....

Swing arm rear right.....

Swing arm rear left.....

Covers.....

Drive unit right.....

Drive unit left.....

Wheels.....

Damper.....

Electronics.....

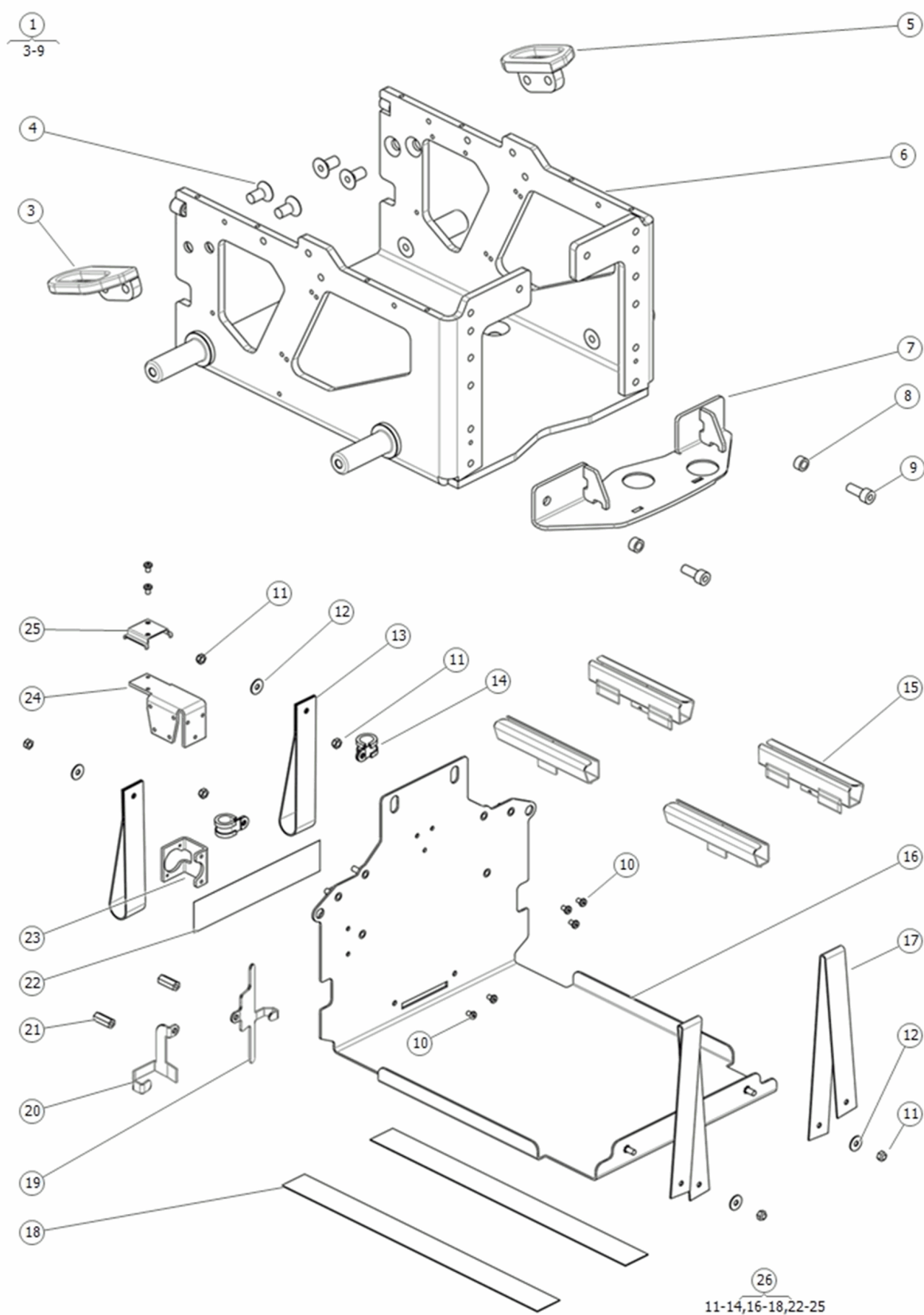
Lights.....

Contact info.....

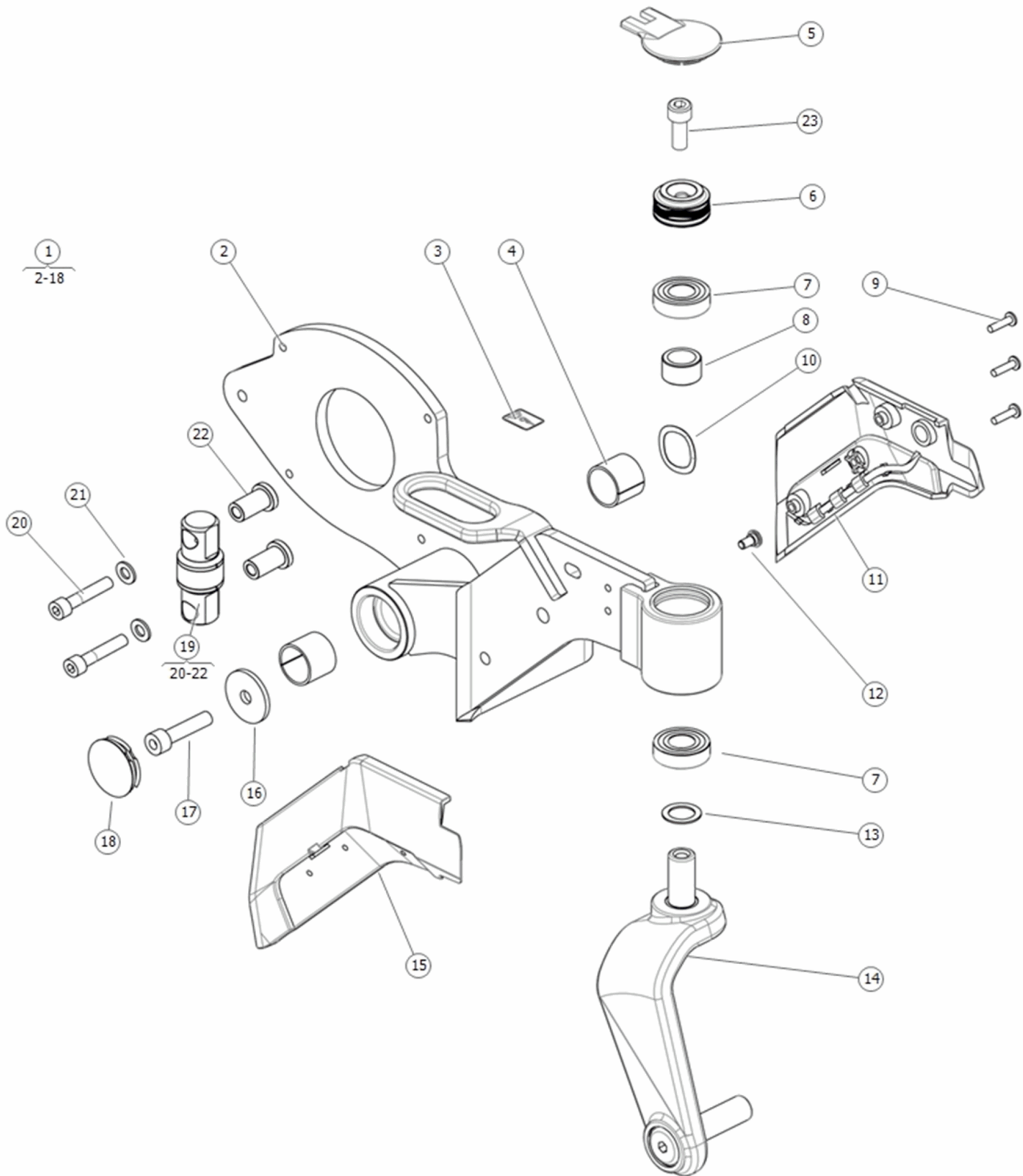
Produced and published by Permobil AB, Sweden
Release date:
PAB:

Innehållsförteckning

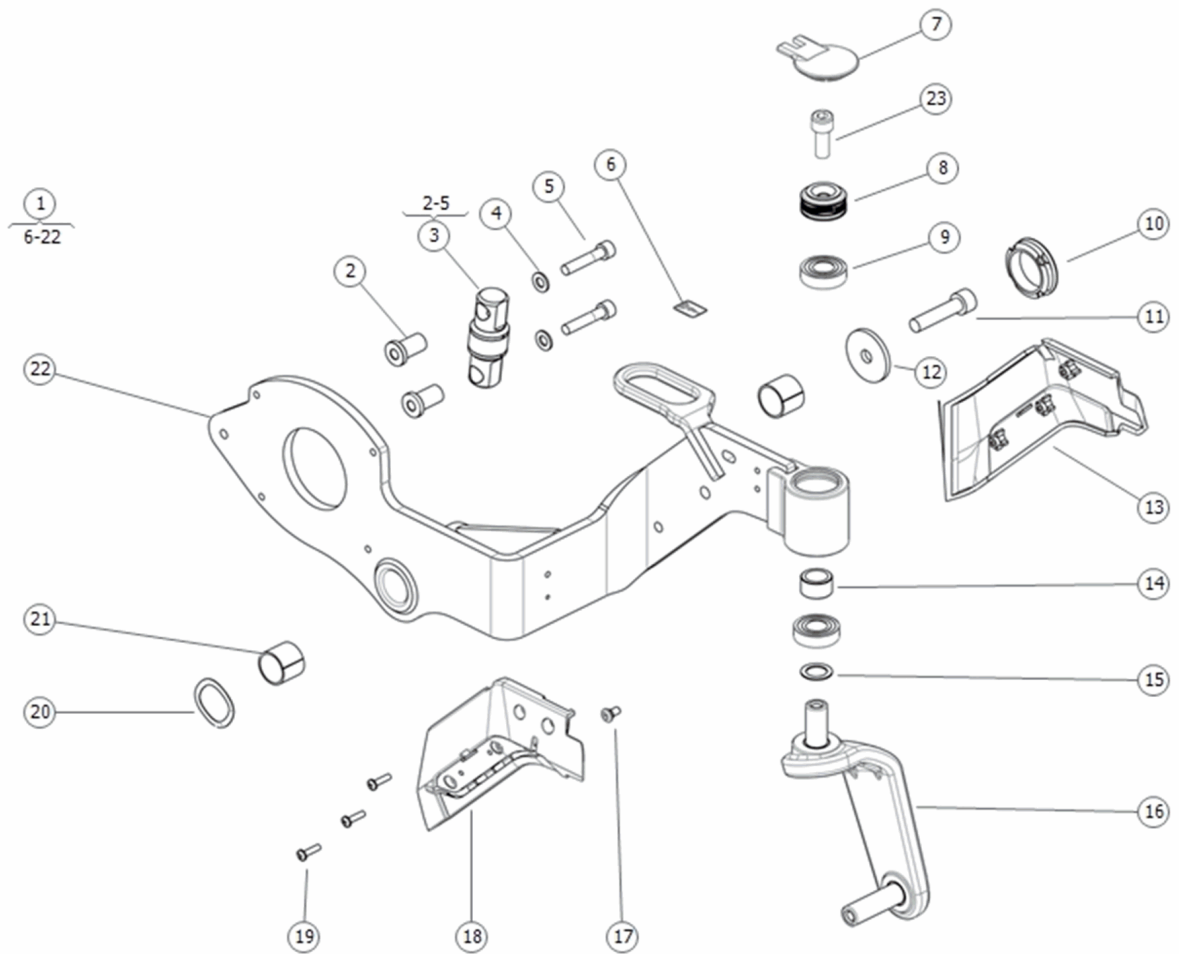
Chassi.....	
Svängarm fram höger.....	
Svängarm fram vänster	
Svängarm bak höger	
Svängarm bak vänster	
Kåpor.....	
Drivpaket höger	
Drivpaket vänster	
Hjul	
Dämpare.....	
Elektronik.....	
Belysing	
Kontaktinformation.....	



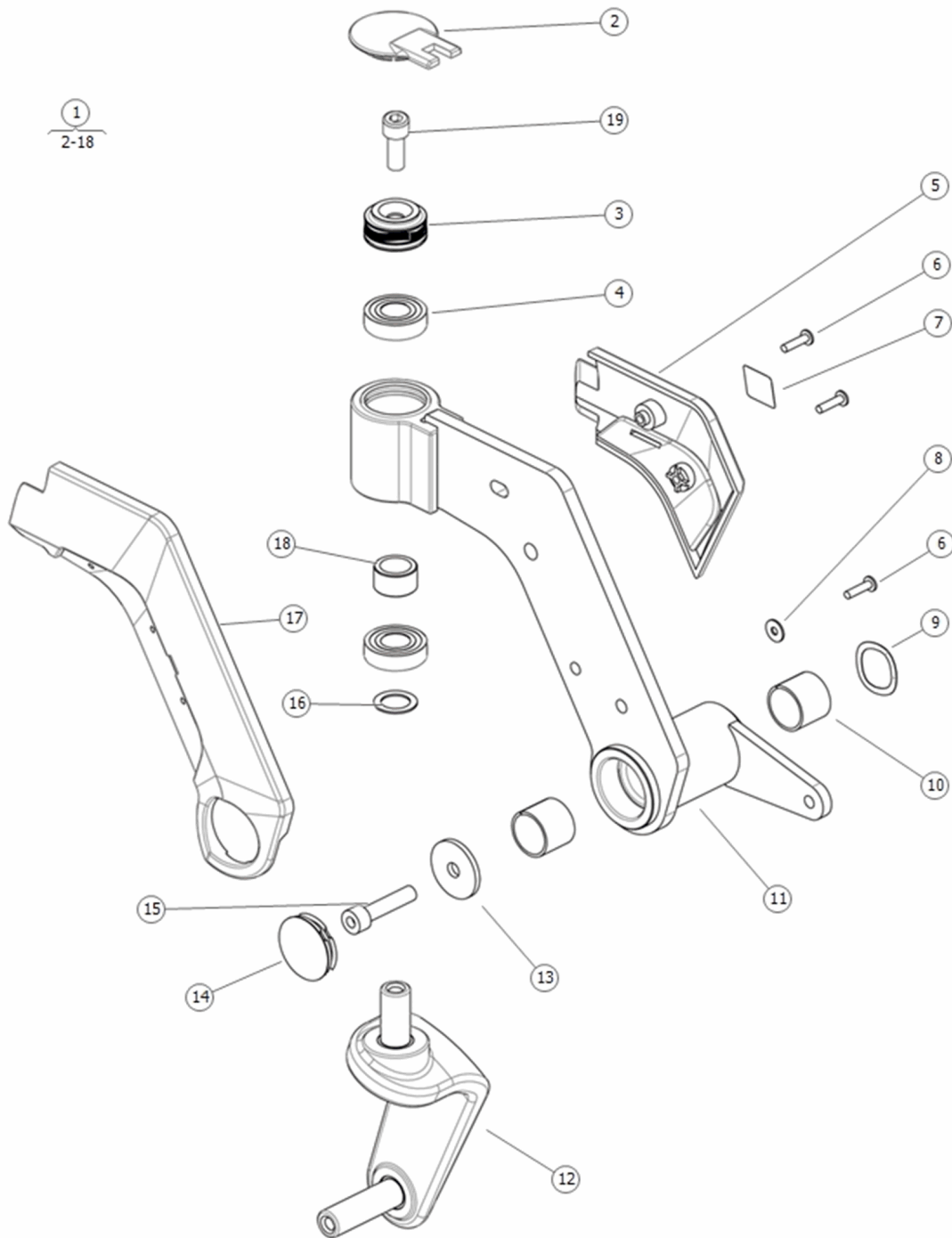
Pos	Qty	Stock Code	Description	Remark
1	1	1832894	CHASSIS	
3	1	324249	HOOK	
4	1	614660	HEXAGON SOCKET COUNTERSINK HEAD SCREW	
5	1	324248	HOOK	
6	1	1830710	BOX	
7	1	1830747	CONSOLE	
8	1	324728	SPACER	
9	1	600203-99-0	BOLT MC6S 8x 20 fzb *	
10	1	1827754	HEXAGON SOCKET BUTTON HEAD SCREW	
11	1	600226-99-0	LOCK NUT M5 FZB *	
12	1	612857-99-0	WASHER 5,3x15x1 FZB ISO 7093-1 200HV	
13	1	1830717	STRAP	
14	1	1830724	CABLE CLIP	
15	1	1830725	CABLE HOLDER	
15	1	1832865	CABLE HOLDER	
16	1	323307	BATTERY BOX	
17	1	1830716	STRAP	
18	1	323462	SLIDE TAPE	
19	1	1833010	HOLDER CABLE RIGHT	
20	1	1833009	HOLDER CABLE LEFT	
21	1	613685	HEXAGON SPACER	
22	1	1831392	Sticker	
22	1	324791	STICKER	
23	1	323398	BRACKET	
24	1	323399	BRACKET	
25	1	323400	BRACKET	
26	1	1832869	BATTERY SLED	



Pos	Qty	Stock Code	Description	Remark
1	1	1832942	SWING ARM FRONT RIGHT	
2	1	330054	SWING ARM	
3	1	1832868	STICKER	
4	1	612745-99-0	SLIDE BEARING 22/25x20SBT	
5	1	1832866	COVER	
6	1	1832879	ANTI-FLUTTER DEVICE	
7	1	600752-99-0	BALL BEAR 6002-2RS1 *	
8	1	1831010	SPACER	
9	1	613078-99-0	TAP SCREW 4x16 WN 156-2 FZB REMFORM	
10	1	1830715	SPRING DISC WASHER DIN 17222	
11	1	1832882	COVER	
12	1	1833011	SCREW	
13	1	1828317	SHIM WASHER	
14	1	1830756	WHEEL FORK	
15	1	1832884	COVER	
16	1	316714-99-0	WASHER 32x8,1x3	
17	1	1830714	HEXAGON SOCKET HEAD ISO 4762 M8x35 8.8 Fe/Zn 5 C1 / LOCK...	
18	1	301146-00-0	PLAST PLUG WHEEL	
19	1	1833006	FLEX LINK ASSEMBLY	
20	1	613378-99-0	BOLT MC6S 8x40 fzb ESL 8.8 ISO 4762 DIN267-28	
21	1	600239-99-0	WASH ISO 7089 8.4x16x1.6 Fe/Zn	
22	1	331004	SOCKET FLEXLINK Ø14	
23	1	613901-99-0	HEXAGON SOCKET HEAD CAP SCREW M8x20 LOCKING COAT	

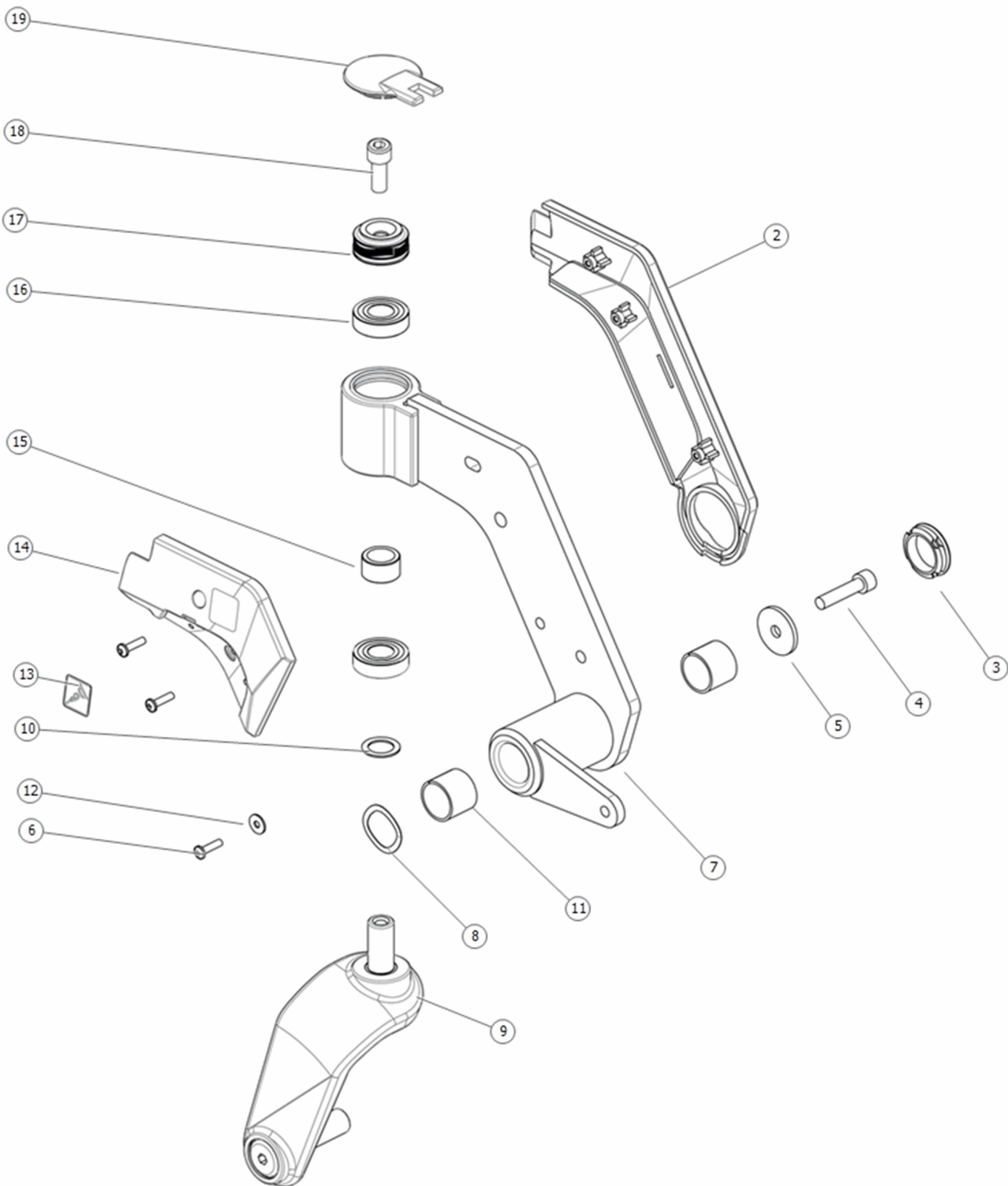


Pos	Qty	Stock Code	Description	Remark
1	1	1832941	SWING ARM FRONT LEFT	
2	1	331004	SOCKET FLEXLINK Ø14	
3	1	1833006	FLEX LINK ASSEMBLY	
4	1	600239-99-0	WASH ISO 7089 8.4x16x1.6 Fe/Zn	
5	1	613378-99-0	BOLT MC6S 8x40 fzb ESL 8.8 ISO 4762 DIN267-28	
6	1	1832868	STICKER	
7	1	1832866	COVER	
8	1	1832879	ANTI-FLUTTER DEVICE	
9	1	600752-99-0	BALL BEAR 6002-2RS1 *	
10	1	301146-00-0	PLAST PLUG WHEEL	
11	1	1830714	HEXAGON SOCKET HEAD ISO 4762 M8x35 8.8 Fe/Zn 5 C1 / LOCK...	
12	1	316714-99-0	WASHER 32x8,1x3	
13	1	1832883	COVER	
14	1	1831010	SPACER	
15	1	1828317	SHIM WASHER	
16	1	1830755	WHEEL FORK	
17	1	1833011	SCREW	
18	1	1832881	COVER	
19	1	613078-99-0	TAP SCREW 4x16 WN 156-2 FZB REMFORM	
20	1	1830715	SPRING DISC WASHER DIN 17222	
21	1	612745-99-0	SLIDE BEARING 22/25x20SBT	
22	1	330058	SWING ARM	
23	1	613901-99-0	HEXAGON SOCKET HEAD CAP SCREW M8x20 LOCKING COAT	

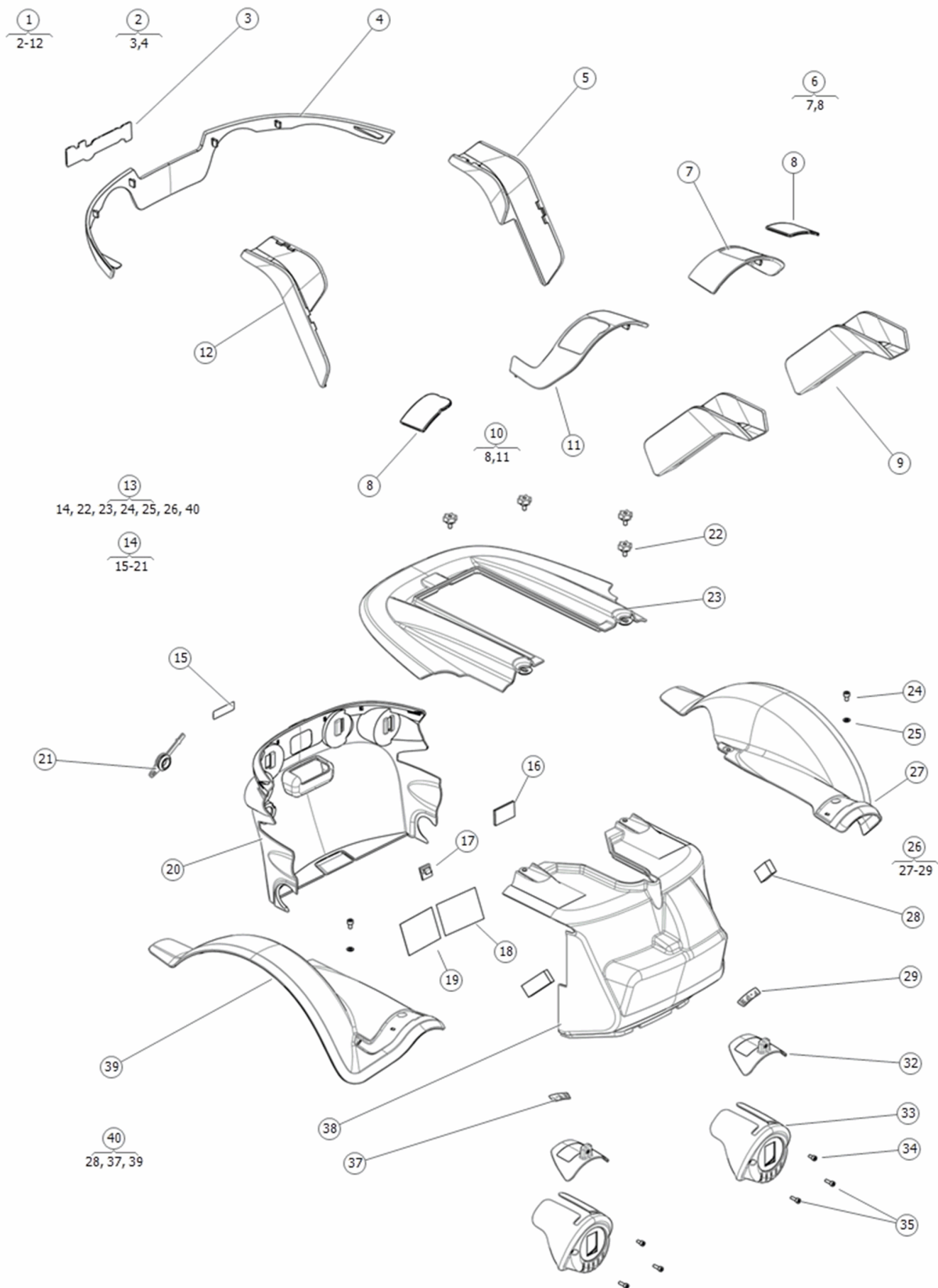


Pos	Qty	Stock Code	Description	Remark
1	1	1832946	SWING ARM REAR RIGHT	
2	1	1832866	COVER	
3	1	1832879	ANTI-FLUTTER DEVICE	
4	1	600752-99-0	BALL BEAR 6002-2RS1 *	
5	1	330700	COVER	
6	1	613078-99-0	TAP SCREW 4x16 WN 156-2 FZB REMFORM	
7	1	1831397	STICKER	
8	1	600829-99-0	WASH BRB 4.3x12x 1 fzb DIN 9021 B	
9	1	1830715	SPRING DISC WASHER DIN 17222	
10	1	612745-99-0	SLIDE BEARING 22/25x20SBT	
11	1	330061	SWING ARM	
12	1	1830756	WHEEL FORK	
13	1	316714-99-0	WASHER 32x8,1x3	
14	1	301146-00-0	PLAST PLUG WHEEL	
15	1	1830714	HEXAGON SOCKET HEAD ISO 4762 M8x35 8.8 Fe/Zn 5 C1 / LOCK...	
16	1	1828317	SHIM WASHER	
17	1	1832878	COVER	
18	1	1831010	SPACER	
19	1	613901-99-0	HEXAGON SOCKET HEAD CAP SCREW M8x20 LOCKING COAT	

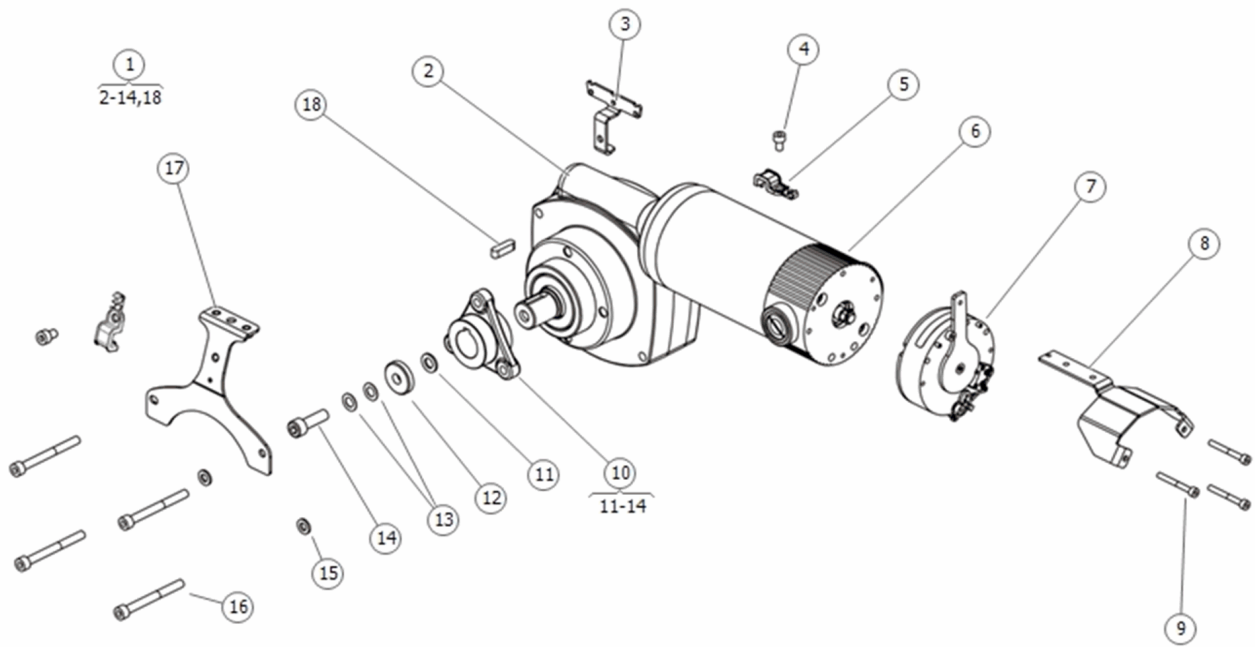
1
2-18



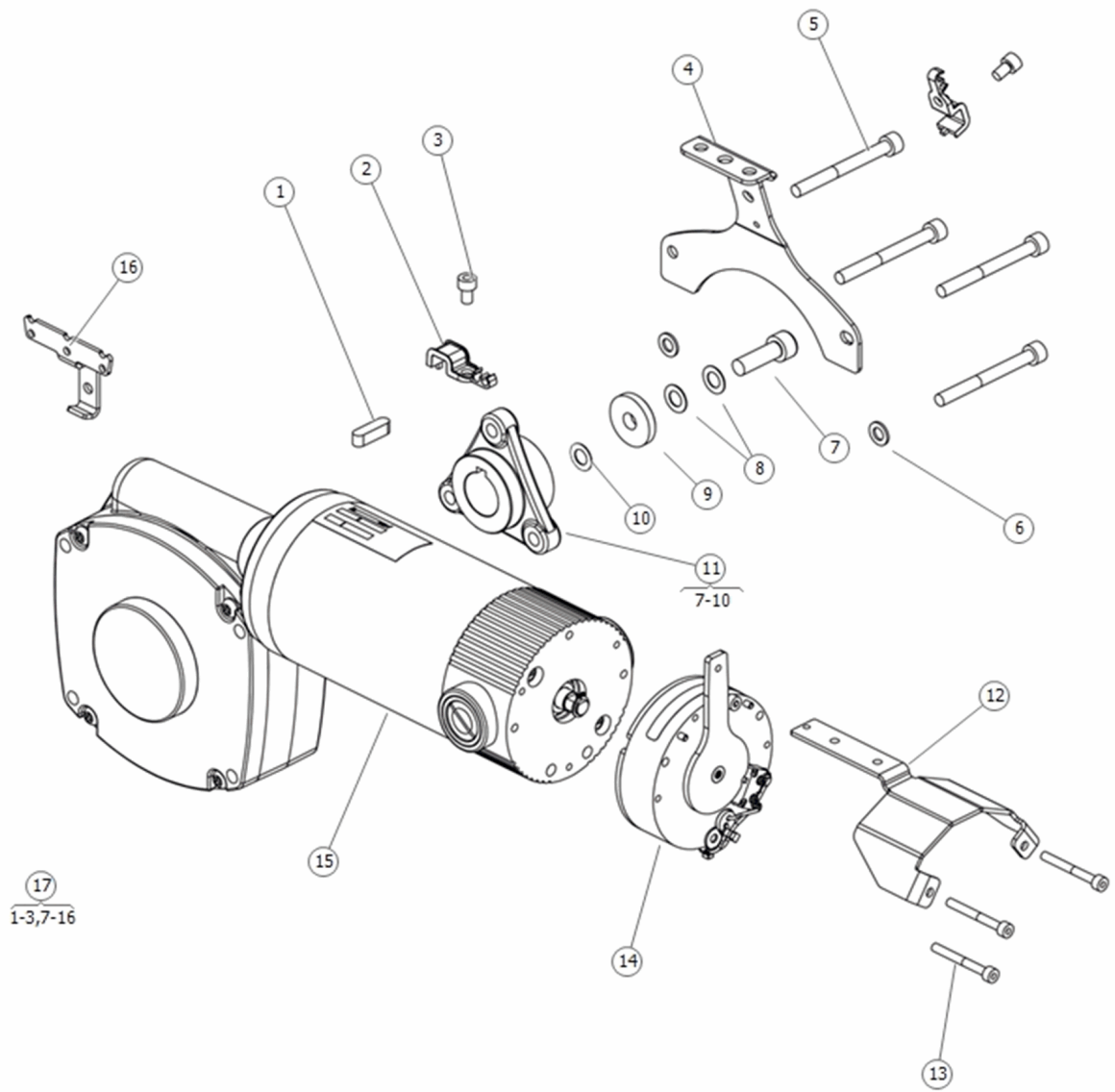
Pos	Qty	Stock Code	Description	Remark
1	1	1832945	SWING ARM REAR LEFT	
2	1	1832877	COVER	
3	1	301146-00-0	PLAST PLUG WHEEL	
4	1	1830714	HEXAGON SOCKET HEAD ISO 4762 M8x35 8.8 Fe/Zn 5 C1 / LOCK...	
5	1	316714-99-0	WASHER 32x8,1x3	
6	1	612745-99-0	SLIDE BEARING 22/25x20SBT	
7	1	330062	SWING ARM	
8	1	1830715	SPRING DISC WASHER DIN 17222	
9	1	1830755	WHEEL FORK	
10	1	1828317	SHIM WASHER	
11	1	613078-99-0	TAP SCREW 4x16 WN 156-2 FZB REMFORM	
12	1	600829-99-0	WASH BRB 4.3x12x 1 fzb DIN 9021 B	
13	1	1831397	STICKER	
14	1	330705	COVER	
15	1	1831010	SPACER	
16	1	600752-99-0	BALL BEAR 6002-2RS1 *	
17	1	1832879	ANTI-FLUTTER DEVICE	
18	1	613901-99-0	HEXAGON SOCKET HEAD CAP SCREW M8x20 LOCKING COAT	
19	1	1832866	COVER	



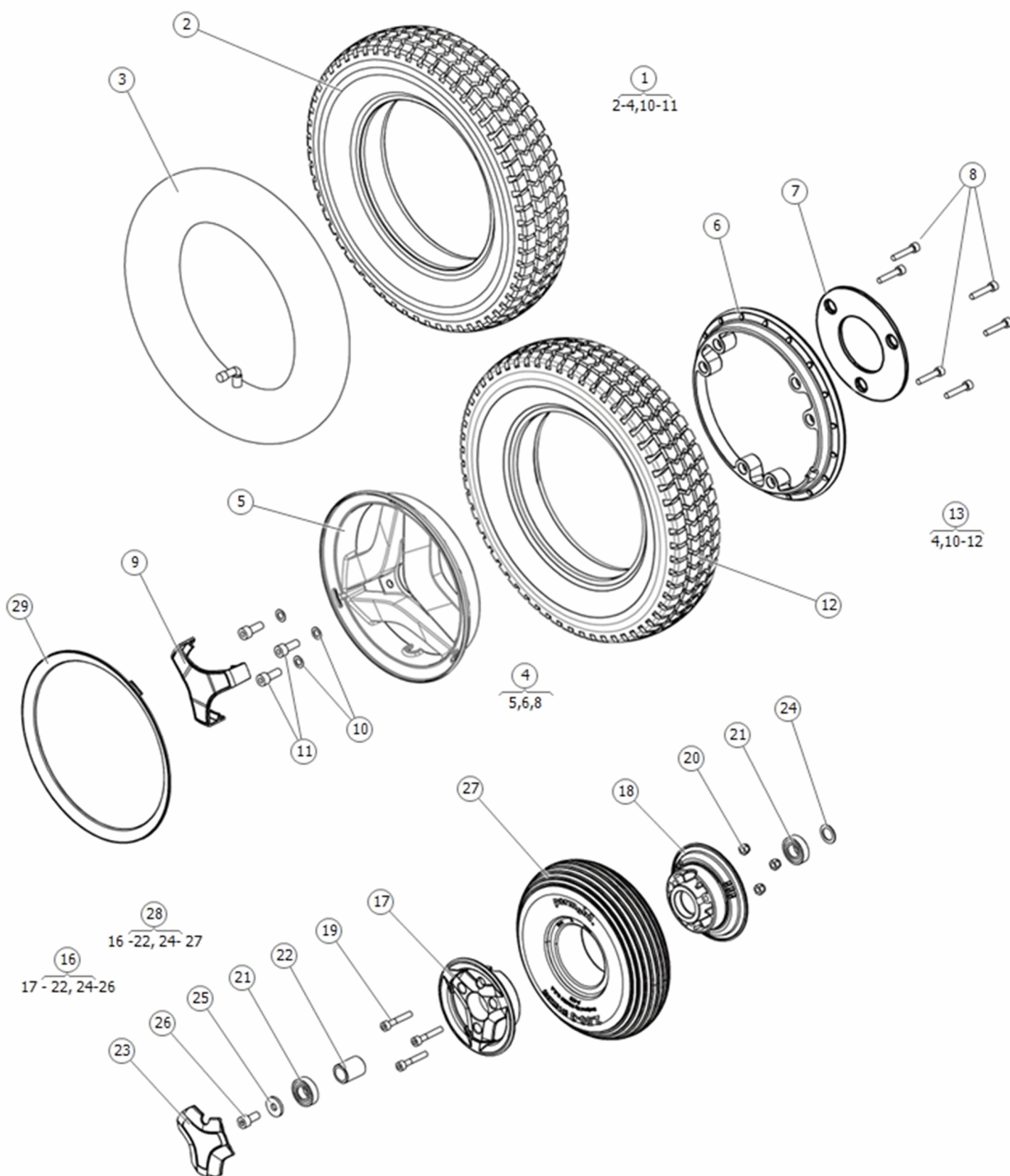
Pos	Qty	Stock Code	Description	Remark
1	1	1832897	COVER KIT	
1	1	1832898	COVER KIT	
1	1	1832931	COVER KIT	
1	1	1832932	COVER KIT	
1	1	1832933	COVER KIT	
1	1	1832934	COVER KIT	
1	1	1833688	COVER KIT	
1	1	1833689	COVER KIT	
1	1	1834100	COVER KIT	
2	1	325032	COVER	
3	1	1828133	STICKER	
4	1	324085	COVER	
5	1	330706	COVER	
6	1	331064	COVER	
7	1	330743	COVER	
8	1	1832936	M3 STICKER	
9	1	330698	COVER	
10	1	331063	COVER	
11	1	330735	COVER	
12	1	330701	COVER	
13	1	1832935	COVER	
14	1	1831755	COVER	
15	1	1831393	STICKER	
16	1	325062	RECLOSABLE FASTENER	
17	1	602615-99-0	CABLE TIE HOLD. ACC19 A-C *	
18	1	1832001	Sticker	
19	1	1832002	Sticker	
20	1	1831755	COVER	
21	1	1832867	PLUG	
22	1	613890-99-0	LOCK HANDLE M5X10 LOW	
23	1	1831756	COVER	
24	1	600188-99-0	BOLT MC6S 5x 8 fzb	
25	1	600237-99-0	WASH BRB 5.3x10x 1 fzb *	
26	1	1832873	COVER	
27	1	1832873	COVER	
28	1	330845	RUBBER	
29	1	1832871	STICKER	
32	1	1833412	COVER	
33	1	1833413	COVER	
34	1	600182-99-0	BOLT MC6S 4x 8 fzb	
35	1	600184-99-0	BOLT MC6S 4x12 fzb *	
37	1	1832872	STICKER	
38	1	1830897	COVER FRONT	
39	1	330734	COVER	
40	1	1832874	COVER	



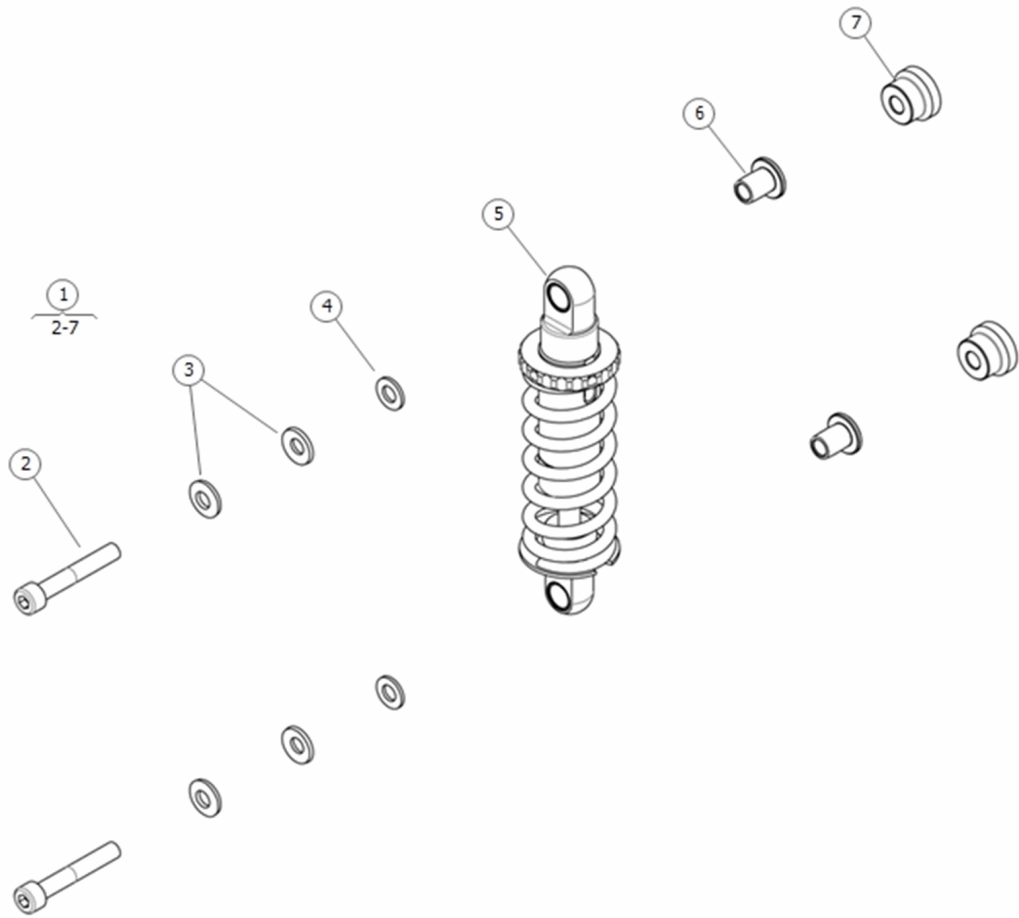
Pos	Qty	Stock Code	Description	Remark
1	1	1832896	DRIVM/GEAR 29:1 RIGHT 350W	
2	1	313935	GEAR BOX	
3	1	1833008	BRACKET MOTOR CABLE	
4	1	600188-99-0	BOLT MC6S 5x 8 fzb	
5	1	1832889	CABLE CLIPS MOTOR AND LIGHTS	
6	1	615102	MOTOR L=170 Ø82	
7	1	1832890	BRAKE	
8	1	1832892	BRACKET	
9	1	602233-99-0	BOLT MC6S 4x35 BRAKE ROBASTOP	
10	1	1831267	HUB	
11	1	612902-99-0	WASH 8.4x15x1.5 PA	
12	1	612513-99-0	WASH 8.4x23x5 HB 305 YELLOW	
13	1	612531-99-0	SPACER DB 8x14x0,5 DIN 988 A2	
14	1	612512-99-0	BOLT ISO 4762 M8x25 *	
15	1	600238-99-0	WASH BRB ISO 7089 6.4x12x1.6 fzb STD	
16	1	601923-99-0	BOLT MC6S 6x60 fzb	
17	1	1832893	BRACKET	
18	1	600855-99-0	KEY 6X6X22 DRIVE SHAFT	



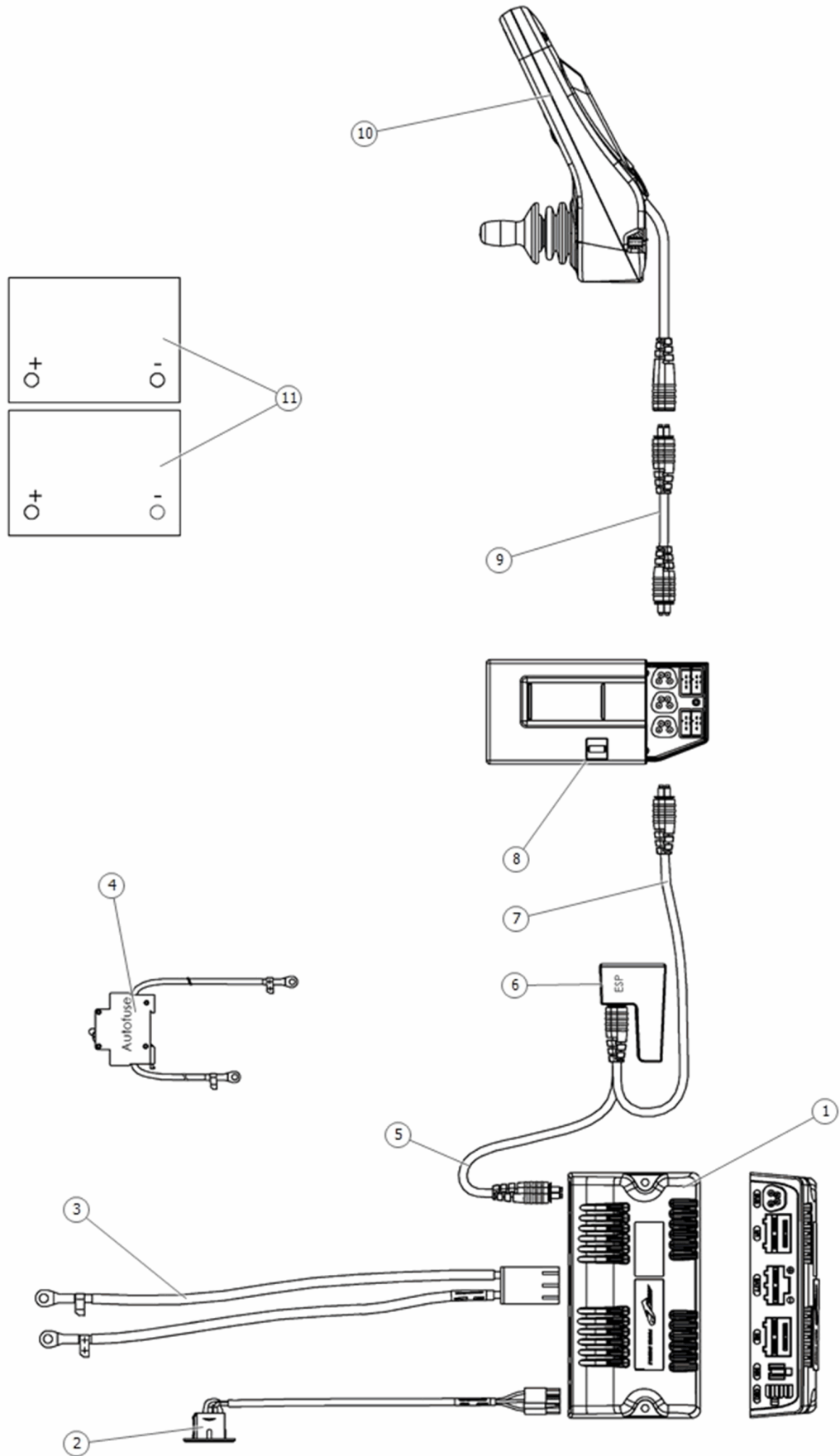
Pos	Qty	Stock Code	Description	Remark
1	1	600855-99-0	KEY 6X6X22 DRIVE SHAFT	
2	1	1832889	CABLE CLIPS MOTOR AND LIGHTS	
3	1	600188-99-0	BOLT MC6S 5x 8 fzb	
4	1	1832893	BRACKET	
5	1	601923-99-0	BOLT MC6S 6x60 fzb	
6	1	600238-99-0	WASH BRB ISO 7089 6.4x12x1.6 fzb STD	
7	1	612512-99-0	BOLT ISO 4762 M8x25 *	
8	1	612531-99-0	SPACER DB 8x14x0,5 DIN 988 A2	
9	1	612513-99-0	WASH 8.4x23x5 HB 305 YELLOW	
10	1	612902-99-0	WASH 8.4x15x1.5 PA	
11	1	1831267	HUB	
12	1	1832892	BRACKET	
13	1	602233-99-0	BOLT MC6S 4x35 BRAKE ROBASTOP	
14	1	1832890	BRAKE	
15	1	330819	DRIVING UNIT	
16	1	1833008	BRACKET MOTOR CABLE	
17	1	1832895	DRIVM/GEAR 29:1 LEFT 350W	



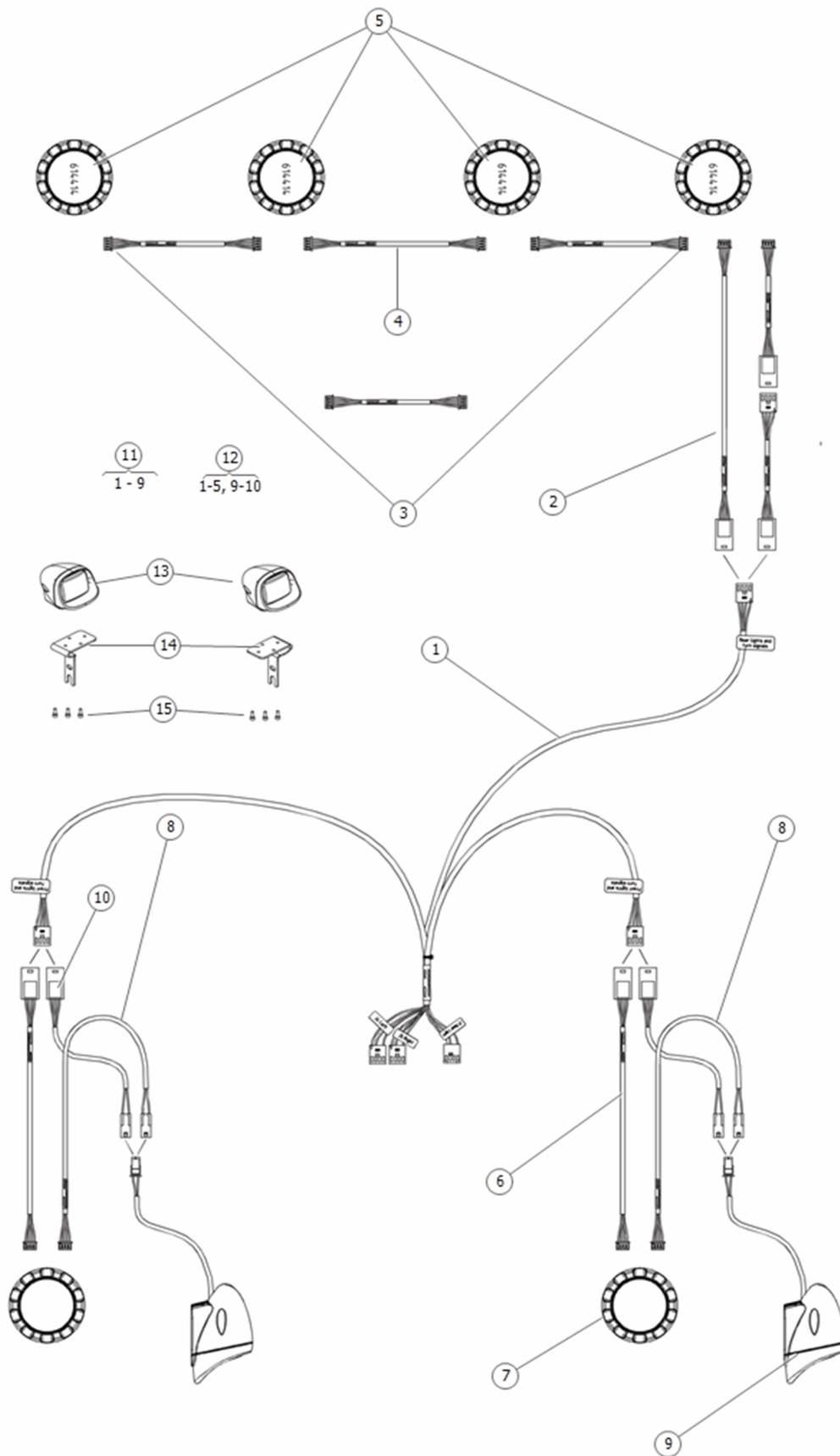
Pos	Qty	Stock Code	Description	Remark
1	1	1830892	Wheel air 3,00-8"	With black tire
2	1	1830765	Tire 3.00 x 8"	Tire color: Black
3	1	600770-99-0	Tube 3,00-8" front	
4	1	1830991	Rim 8" 3-spoke 3-bolt	
5	1	323627	Rim half outer	
6	1	323626	Rim half inner	
7	1	1831782	Spacer	
8	1	614919	Screw ISO 4762 M6x25 8.8 Fe/Zn 5 C1 / LOCKING COAT DIN 267-28	
9	1	1830781	Hub cap	Incl. reflector sticker
10	1	600239-99-0	Washer DIN 988 DB 8x14x0,5 stainless	
11	1	613901-99-0	Screw ISO 4762 M8x20 Fe/Zn	
12	1	1830767	Tire 3,00 x 8" solid	Tire color: Black
13	1	1830894	Wheel solid 3,00-8"	With black tire
16	1	324505	Rim 210 x 65	
17	1	323632	Rim half outer	
18	1	323631	Rim half inner	
19	1	601333-99-0	Screw ISO 4762 M6x35 Fe/Zn	
20	1	602799-99-0	Nut ISO 7040 M6 Fe/Zn	
21	1	600752-99-0	Ball bearing 6002-2RS1	
22	1	316386-99-0	Spacer	
23	1	1830770	Hub cap	
24	1	1828317	Shim washer DIN 988 DB 15x22x1	
25	1	305390-99-0	Washer 8,5x23x3	
26	1	613088-99-0	Screw ISO 4762 M8x16 Fe/Zn	
27	1	330229	Tire 180 x 68 Solid	Tire color: Black
28	1	1832937	Wheel 180 x 68 Solid	Tire color: Black
29	1	1830908	RIM SUNBURST ORANGE	
29	1	1831146	RIM GALACTIC GREEN	
29	1	1831147	RIM MIDNIGHT BLACK	
29	1	1831148	RIM OCEAN BLUE	
29	1	1831150	RIM POWER PINK	
29	1	1831151	RIM RADIANT RED	
29	1	1832301	RIM CARBON FIBER	
29	1	1832304	RIM MOSSY OAK	
29	1	1834122	RIM CDG POLY	



Pos	Qty	Stock Code	Description	Remark
1	1	1833056	SHOCK ABSORBER	
2	1	615235-99-0	SCREW M8x50 LOCKING COAT HEXAGON SOCKET HEAD CAP	
3	1	615228-99-0	DISC SPRING 8.4x18x2 DIN 6796	
4	1	600239-99-0	WASH ISO 7089 8.4x16x1.6 Fe/Zn	
5	1	615117	SHOCK ABSORBER	
6	1	1831707	SOCKET	
7	1	1832948	SPACER	



Pos	Qty	Stock Code	Description	Remark
1	1	1822393	R-net Power module 120A	
2	1	1830727	Cable charger connector OBC	
3	1	1830719	Cable battery	
4	1	1830726	Cable main fuse 63A	
5	1	1830720	Cable bus R-net	L=300mm
6	1	1822804	ESP-module	
7	1	1830721	Cable bus R-net	L=700mm
8	1	1830728	PCB box	
9	1	1821526	Cable bus R-net	L=2500mm
10	1	1822389	Ctrl panel JSM-L-sw R-net	
10	1	1822390	Ctrl panel JSM-L-sw-T R-net	
10	1	1825746	Ctrl panel CJSM-L-sw R-net	
10	1	1825758	Ctrl panel JSM-LED R-net	
10	1	1830599	Ctrl panel Omni IR	
10	1	1831273	Ctrl panel R-NET CJSM2	
10	1	1833059	Ctrl poanel PJSM-BT, with Bluetooth	
11	1	602130-99-0	Battery 73 A gel, low	
11	1	603073-99-0	Battery 60A gel, low	



Pos	Qty	Stock Code	Description	Remark
1	1	1832870	SPLIT CABLE FOR LUGGAGE BOX	
2	1	1830775	Adapter cable rear light	L=140mm
3	1	1830152	Jumper cable ICS	L=100mm
4	1	1830774	Jumper cable ICS	L=280mm
5	1	1830147	Rear lights & turn signals	Red reflector
6	1	1830773	Adapter cable front lights	
7	1	1830146	Turn signal front LED	
8	1	1830772	Adapter cable front lights & turn signals	
9	1	1832949	FRONT LIGHT INCL BRACKET LEFT	
9	1	1833003	FRONT LIGHT INCL BRACKET RIGHT	
10	1	1830776	Adapter cable front lights	L=280mm
11	1	1833004	LIGHT KIT LED FRONT/REAR INDICATORS	
12	1	1833307	LIGHT KIT LED FRONT INDICATORS REAR REFLECTORS	
13	1	323747	Front light	
14	1	1832891	Bracket	
15	1	602690-99-0	BOLT MC6S 3x8 fzb ISO 4762	

Ordering information

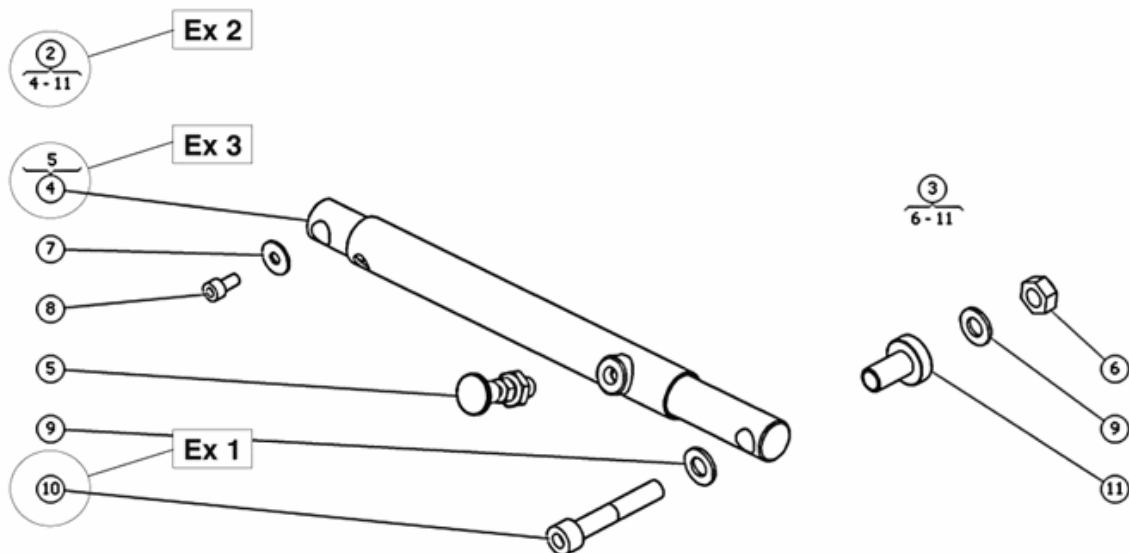
When you order spare parts, the following must always be specified:

- The product model (for example, power wheelchair C300).
- The description of the part. Always use the description used in this catalog.
- The entire part number.
- The quantity.

NB! In some cases, parts appear in the spare part catalog without a part number. This means that the part cannot be ordered from Permobil. We have, however, chosen to describe it for your information. Standard components such as screws, nuts, washers and similar parts can be purchased in an ordinary shop using the information in this catalog.

Parts

A part consists of one or more parts. If a part consists of several parts, a bracket in connection with the part's item bubble is used to show the parts included in the part in the exploded views. See examples 1, 2 and 3.



Example 1:

Position 10 refers to a single part, a screw.

Example 2:

Position 2 is a spare part consisting of the positions from 4 to 11.

Example 3:

Position 4 is an article that also includes position 5. In these cases the article or articles which referred to in the bracket, are pre-assembled on the main article (position 4).

Orderinformation

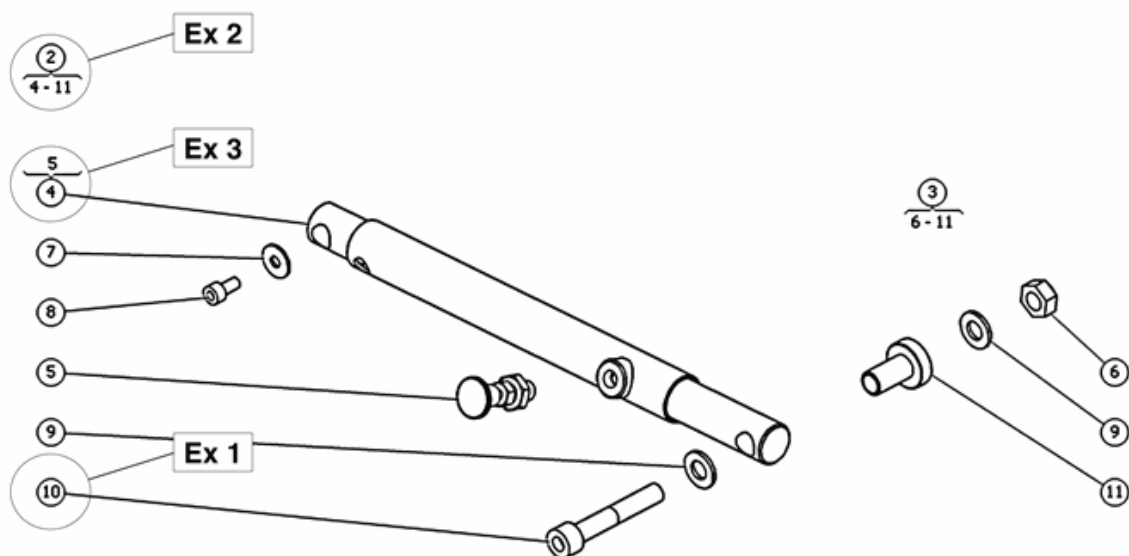
Vid beställning av reservdelar, ska följande alltid anges:

- Produkt namn/modell (till exempel, elrullstol C300).
- Benämning på delen, använd alltid benämningen som står i den här reservdelskatalogen.
- Fullständigt artikelnummer.
- Antal.

OBS! Vissa positioner i katalogen är utan artikelnummer. Det betyder att den delen inte går att beställa separat från Permobil, men vi har ändå valt att beskriva delen som information till er. Standard komponenter så som skruvar, muttrar, brickor och liknande standard komponenter kan köpas från andra leverantörer med hjälp av informationen i den här katalogen.

Reservdelar

En reservdel kan bestå av en eller flera delar. Om en reservdel består av flera delar, är positionens innehåll markerat i en klammer i anslutning till positionsbubblan. Se exemplen 1, 2 och 3 nedan.



Exempel 1:

Position 10 avser en separat detalj, en skruv.

Exempel 2:

Position 2 är en reservdelssats, bestående av positionerna 4 till 11.

Exempel 3:

I position 4 ingår även position 5. I de här fallen är delen eller delarna som står i klammeret förmonterade på huvudartikeln (position 4).

CONTACT PERMOBIL

KONTAKTUPPGIFTER PERMOBIL

Permobil AB

Box 120
861 23 Timrå
Sverige
Tel: 060-59 59 00
Fax: 060-57 52 50
E-post: info@permobil.com

Permobil Inc.

300 Duke Drive
Lebanon, TN 37090
PH: 800.736.0925
FAX: 800.231.3256
info@permobil.com

Permobil AS

Industriveien 16
1481 Hagan Norge

Tlf. 815 30 077
Fax. 670 79 959
E-post: firmapost@permobil.com

Permobil Benelux BV

De Beitel 11
6466 GZ Kerkrade
Nederland
Tel: +31 (0)45 564 54 80
Fax: +31 (0)45 564 54 81
Email: info@permobil.nl

Notes

Area with horizontal dashed lines for writing notes.



permobil