

LSC3

Spare Part Catalog



LSC3

Stand-Up Wheelchair

Permobil Group's Head Office**Permobil AB**

Box 120
861 23 Timrå
Sweden

Tel +46 60 59 59 00

Fax + 46 60 57 52 50

E-mail info@permobil.se



Lifestand Groupe Permobil

5 rue Clément Ader
69740 Genas
France

Tel. +33 (0)4 37 26 27 28



Fax +33 (0)4 37 26 27 29

Email info@permobil.com

LSC3	SPARE PART CATALOG		 
Item N° 323753	Revision A	Date 28/07/2015	Page 3 of 71

Summary

Rolling base assembly.....	7
Welded frame assembly	9
Cradle support stand-up piston assembly.....	11
Support power module assembly	13
Traverse for stopper assembly.....	15
Right frame assembly.....	17
Left frame assembly	19
Front wheel assembly	21
Rear wheel assembly	23
Anti-tip wheels assembly	25
Seat assembly.....	27
Lower seat assembly	29
Upper seat assembly	31
UNITRACK assembly	33
Backrest assembly	35
Armrests assembly	37
Pantograph and drainpipe armrest assembly.....	39
Additional armrests assembly	41
Headrest assembly.....	43
Tray table assembly	45
Legrest frame assembly.....	47
Footplate assembly	49
Knee support assembly	51
Textiles	53
Varilite accessories.....	55
Electronic	57
Motors and batteries assembly	59
Lights and cover	61
Electronic for PGDT VR2.....	63
Electronic for PGDT R-NET	63

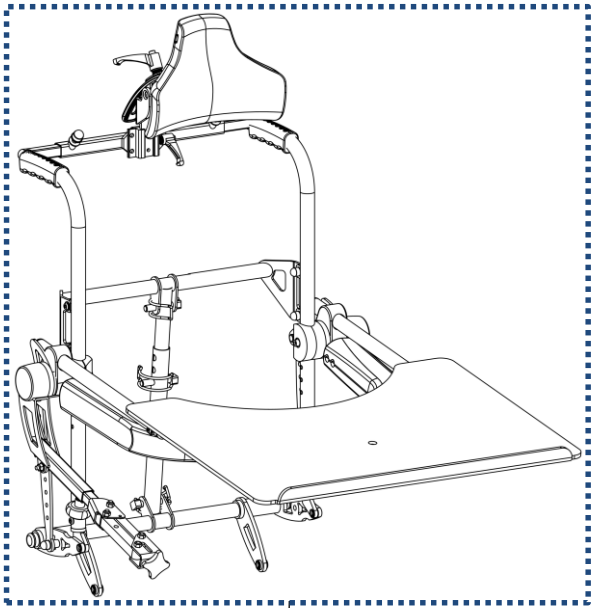
LSC3	SPARE PART CATALOG		 
Item N° 323753	Revision A	Date 28/07/2015	Page 4 of 71

Accessories..... 65

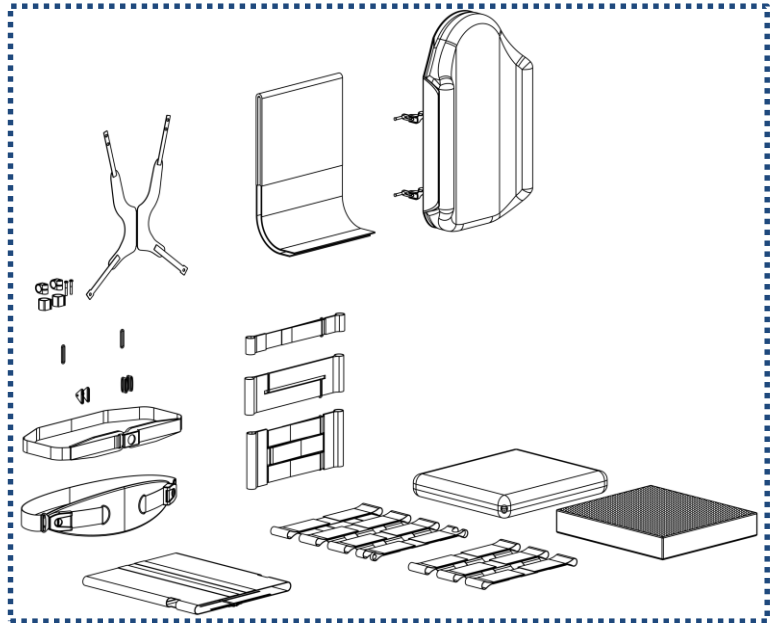
Side guard 67

Thoracic support 69

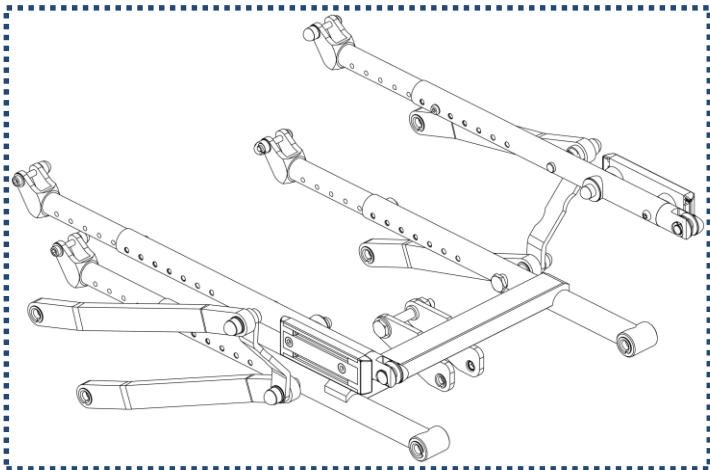
Lateral support..... 71



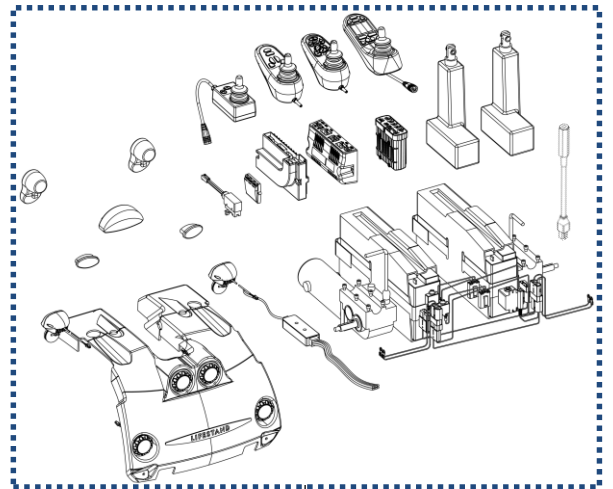
P 34-45



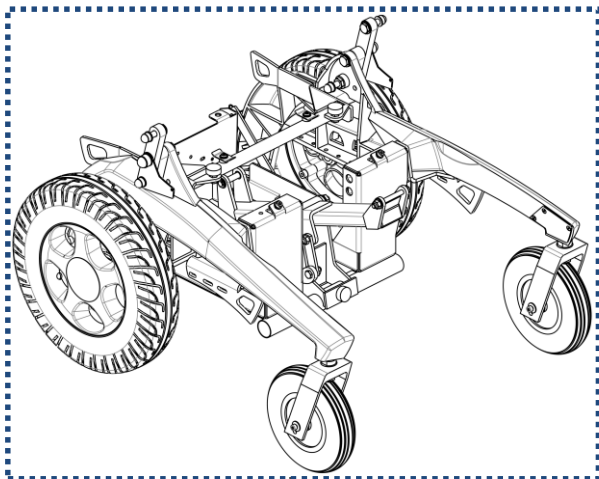
P 52-55



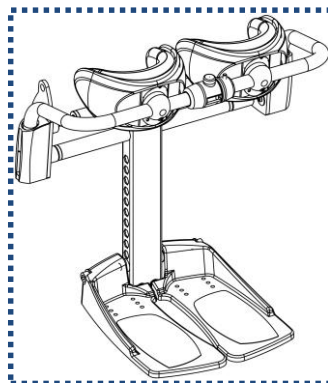
P 26-33



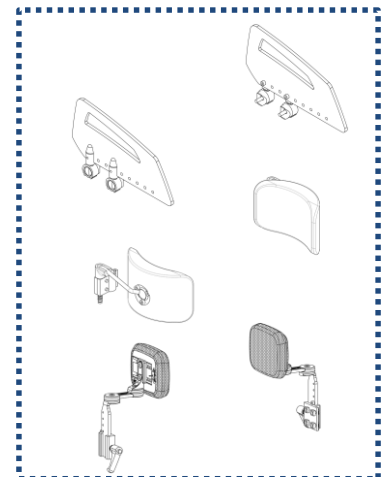
P 56-63



P 6-25

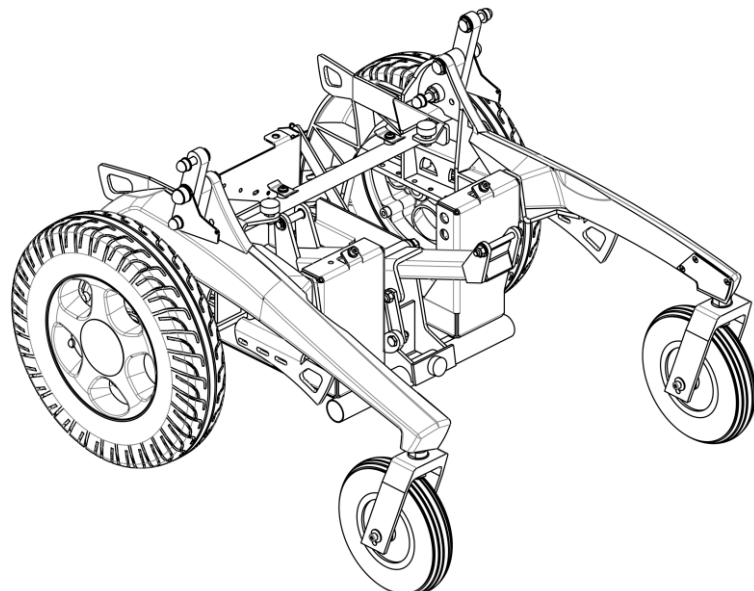
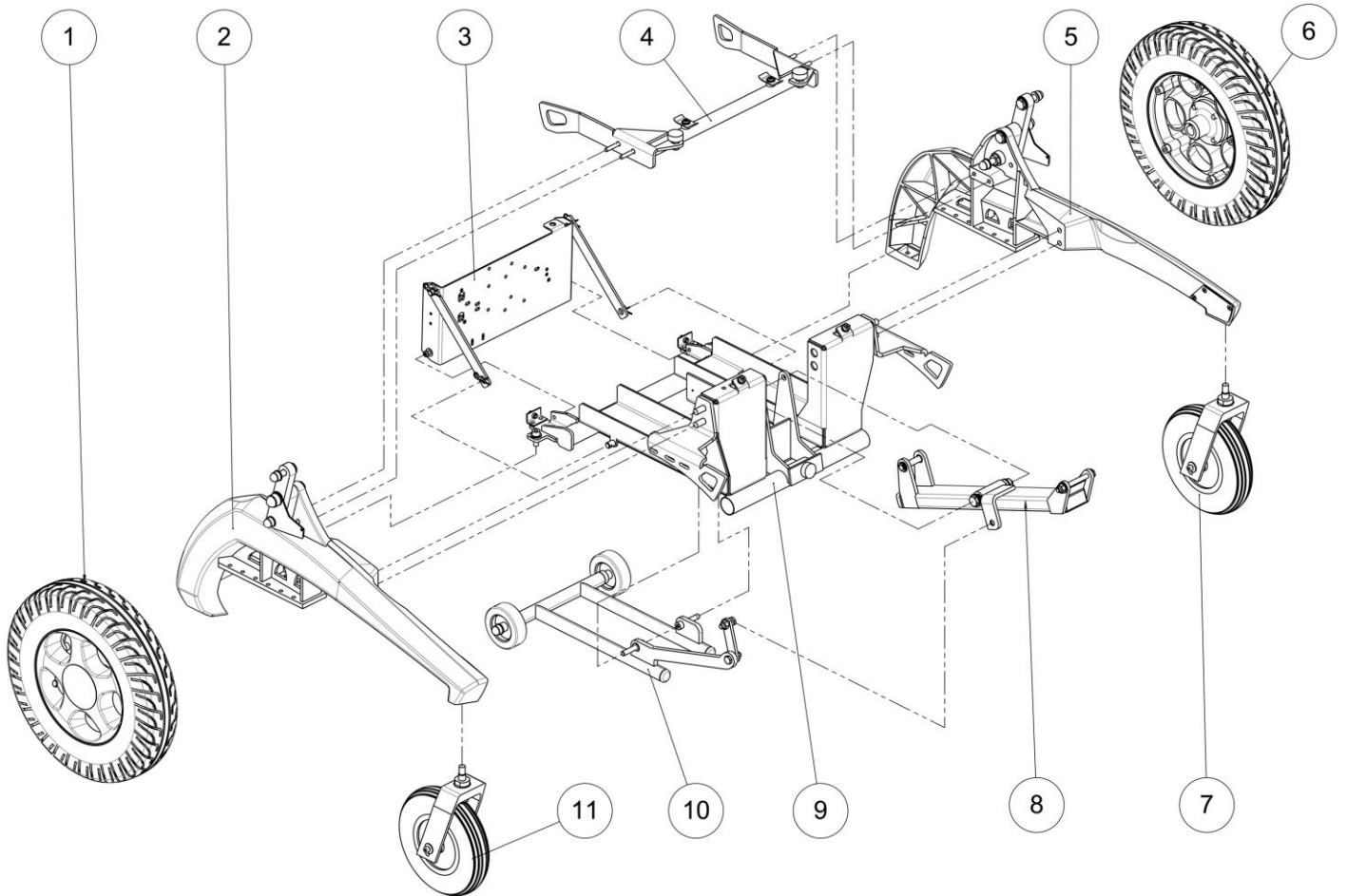


P 46-51



P 64-71

Rolling base assembly





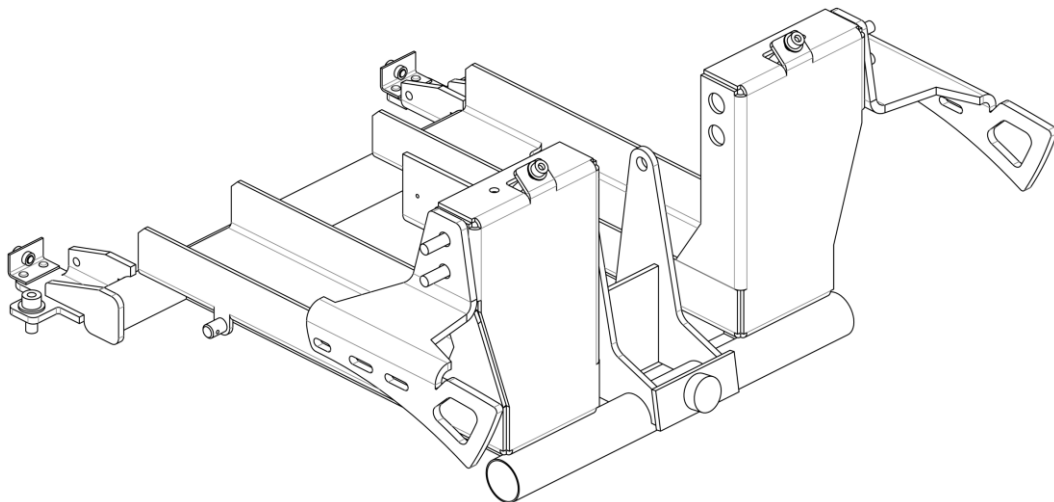
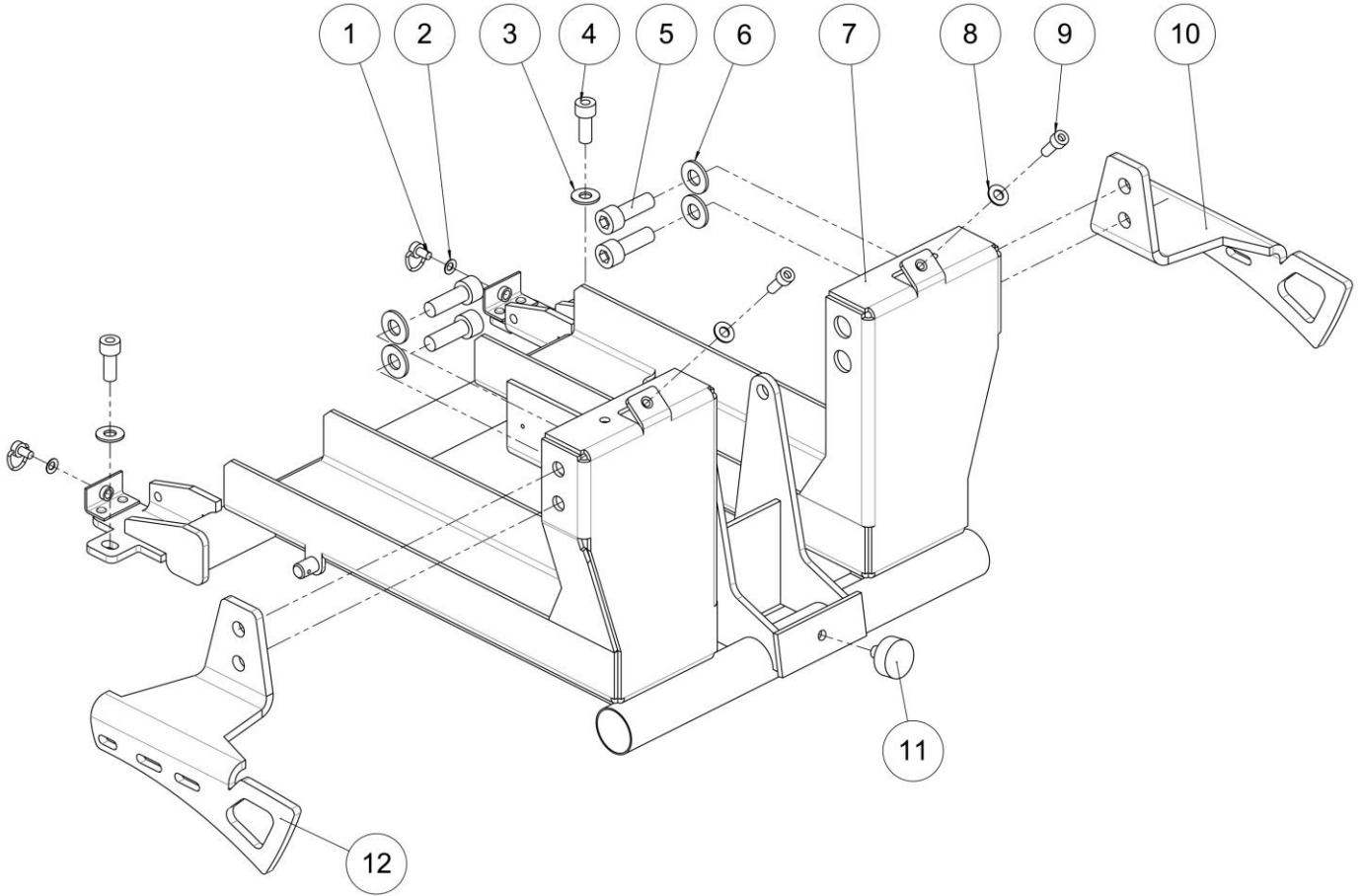
Rolling base assembly

Rolling base assembly

Pos	Qty	Stock Code	Description En	Description Fr	Remark
1	1		Rear wheel right assembly	Ensemble roue arrière droite	See exploded view p.22
2	1		Right frame assembly	Ensemble chassis droit	See exploded view p.16
3	1		Support power module assembly	Ensemble support power module	See exploded view p.12
4	1		Traverse for stopper assembly	Ensemble traverse pour butée	See exploded view p.14
5	1		Left frame assembly	Ensemble chassis gauche	See exploded view p.18
6	1		Rear wheel left assembly	Ensemble roue arrière gauche	See exploded view p.22
7	1		Left front wheel assembly	Ensemble roue avant gauche	See exploded view p.20
8	1		Cradle support stand-up piston assembly	Ensemble support vérin verticalisation	See exploded view p.10
9	1		Welded frame assembly	Ensemble chassis soudé	See exploded view p.8
10	1		Anti-tip wheels assembly	Ensemble roulette anti-bascule	See exploded view p.24
11	1		Right front wheel assembly	Ensemble roue avant droite	See exploded view p.20

Rolling base assembly

Welded frame assembly

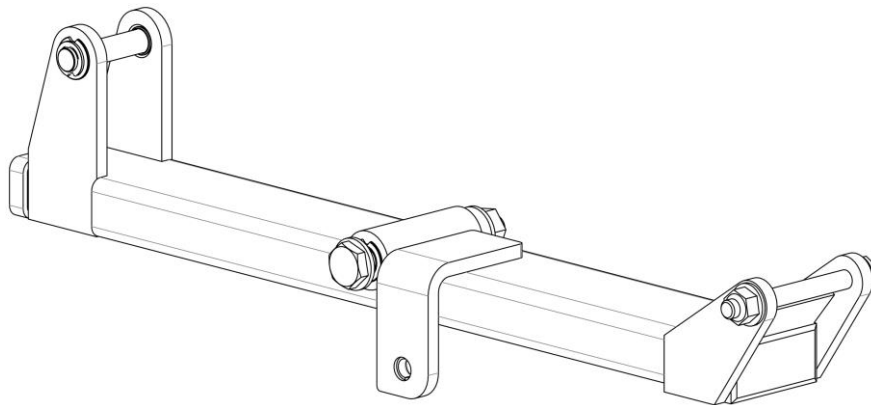
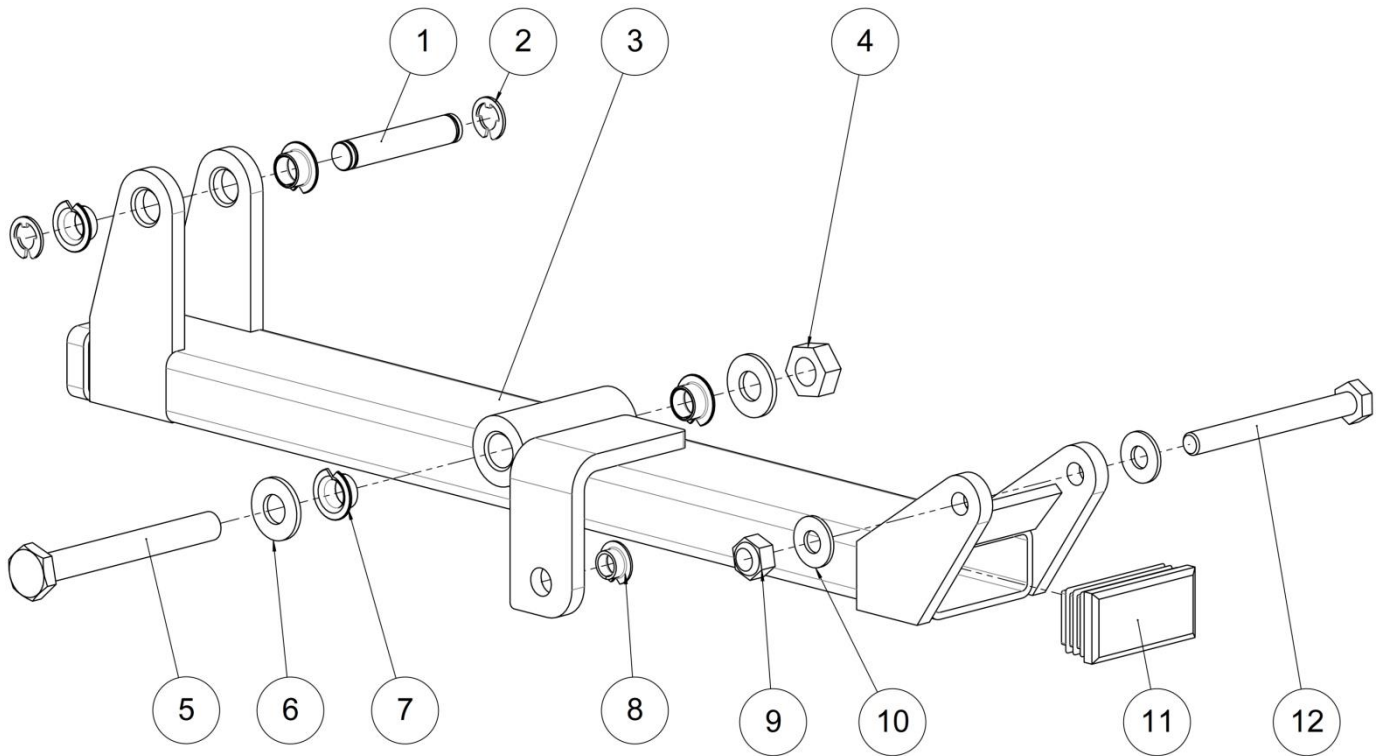


Welded frame assembly

Pos	Qty	Stock Code	Description En	Description Fr	Remark
1	2	C1123XXXFO	Locking pin cover	Quart de tour verrou capot	
2	2	C1125XXXFO	Backup washer	Rondelle de retenue	
3	2	RON-M8ZN	Plain washer Ø8	Rondelle plate M Ø8	
4	2	VIS-CHC8X20ZN	Hexagon socket head cap screw M8x20	Vis tête cylindrique M8x20 six pans creux	
5	4	VIS-CHC10X30ZN	Hexagon socket head cap screw M10x30	Vis tête cylindrique M10x30 six pans creux	
6	4	RON-M10ZN	Plain washer Ø10	Rondelle plate M Ø10	
7	1	C1101XXXP	Black main welding frame	Chassis LSC mécano-soudé	
8	2	RON-M6ZN	Plain washer Ø6	Rondelle plate M Ø6	
9	2	VIS-CHC6X16ZN	Hexagon socket head cap screw M6x16	Vis tête cylindrique M6x16 six pans creux	
10	1	C9132LXXPN	Ancrage front left	Ancrage avant gauche	
11	1	C1007XXXFO	Shock absorber Ø25x10mm M8x12mm	Amortisseur Ø25x10 M8x12mm	
12	1	C9132RXXPN	Ancrage front right	Ancrage avant droit	

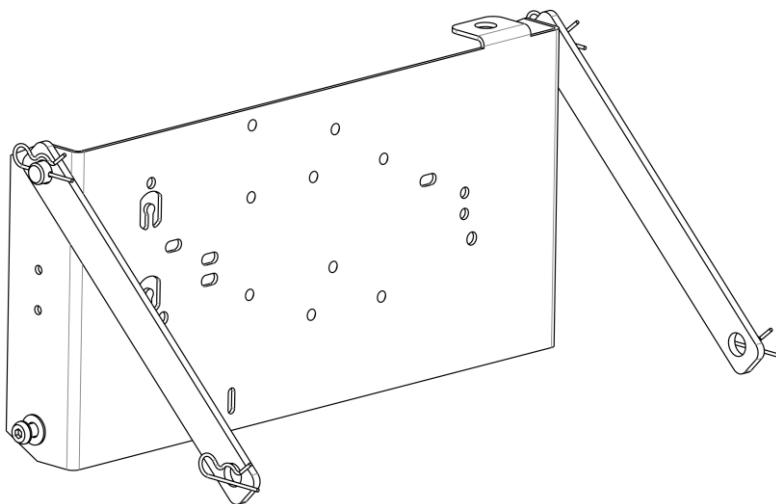
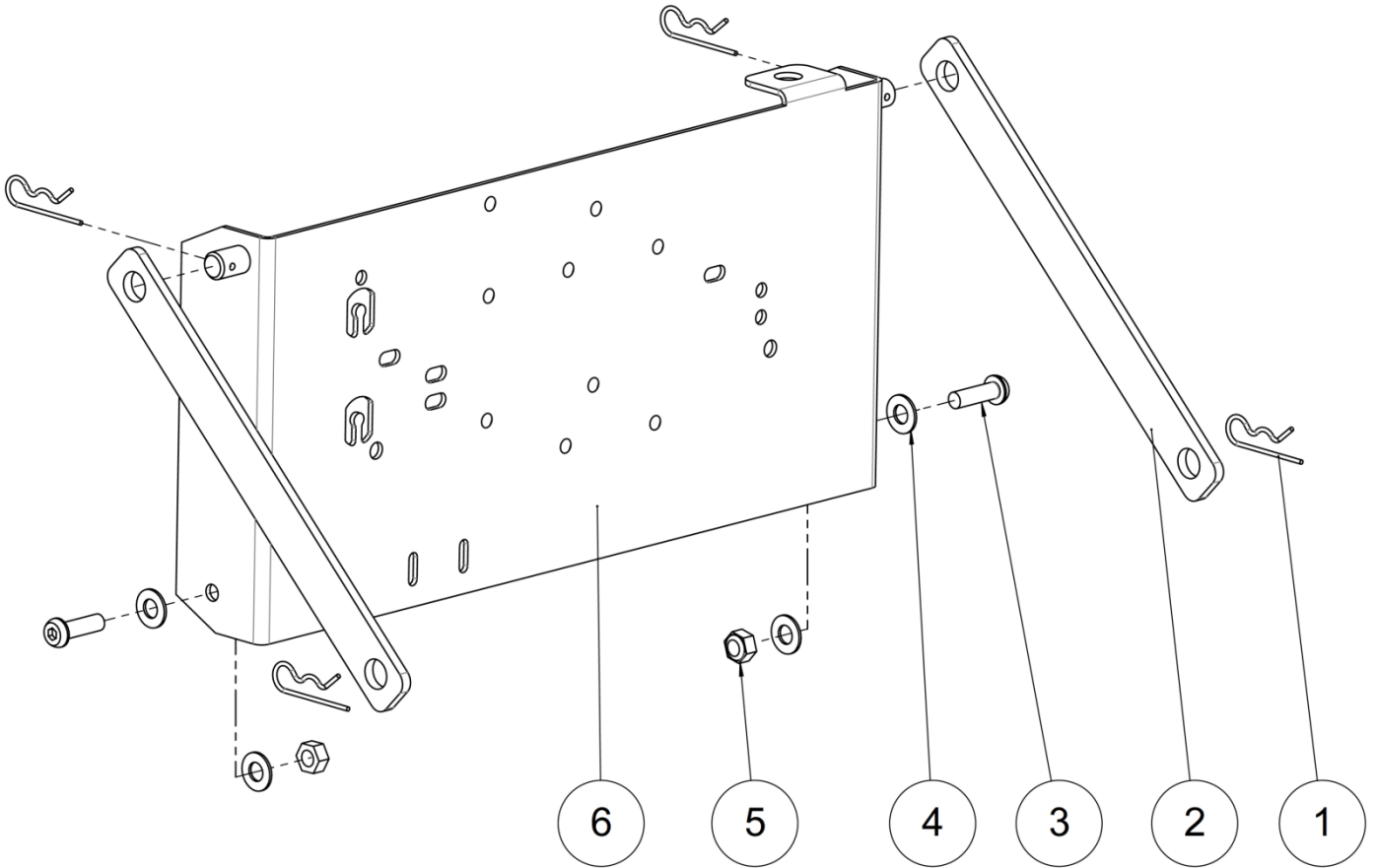
Rolling base assembly

Cradle support stand-up piston assembly



Cradle support stand-up piston assembly

Pos	Qty	Stock Code	Description En	Description Fr	Remark
1	1	C1008XXXCR	Axle Ø10mm	Axe Ø10mm	
2	2	ANN-RAD10RENFO	E-type reinforced ring Ø10	Anneau E radial Ø10 renforce	
3	1	C5001XXXPN	Standing up piston support	Berceau vérin verticalisation	
4	1	ECR-HFR10ZN	Prevailing torque type hexagon nut M10	Ecrou frein M10	
5	1	C0201XXXZN	Axle Ø10x90x18mm	Axe Ø10x90x18mm	
6	2	RON-M10ZN	Plain washer Ø10	Rondelle plate M Ø10	
7	4	L0007100FO	Collar bearing Ø10xØ12x7mm	Coussinet à collerette Ø10xØ12x7mm	
8	1	L0007080FO	Collar bearing Ø8xØ10x5.5mm	Coussinet à collerette Ø8xØ10x5.5mm	
9	1	ECR-HFR8ZN	Prevailing torque type hexagon nut M8	Ecrou frein M8	
10	2	RON-M8ZN	Plain washer Ø8	Rondelle plate M Ø8	
11	1	L0005025FO	Black cap for tube 50x25mm	Bouchon plastique noir 50x25mm	
12	1	C0209XXXZN	Axle Ø8x77x13mm	Axe Ø8x77x13mm	





Rolling base assembly

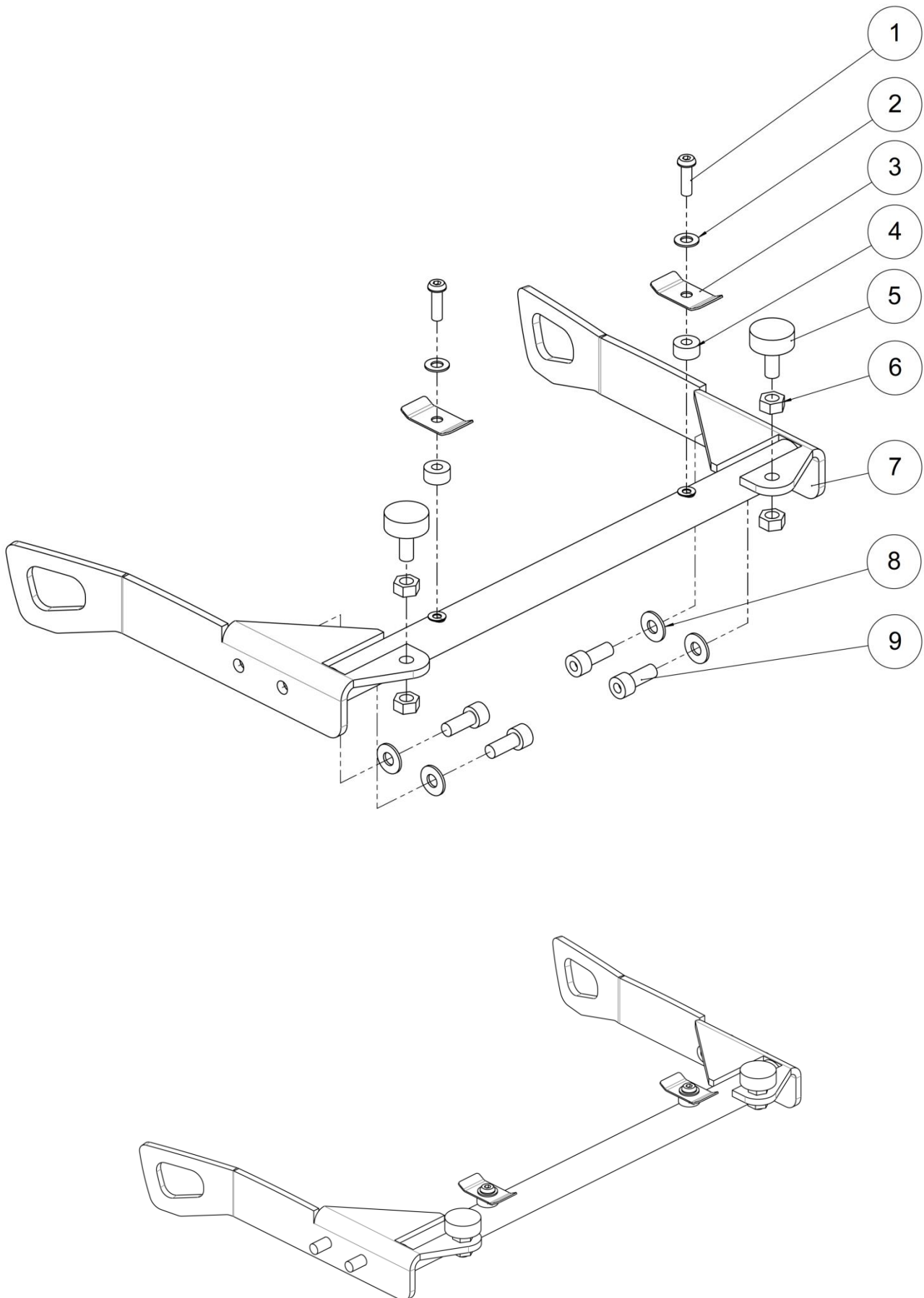
Support power module assembly

Support power module assembly

Pos	Qty	Stock Code	Description En	Description Fr	Remark
1	4	C1106XXXFO	Axle fixation clip	Épingle d'axe	
2	2	C1103XXXPN	Tie-rod	Tirant support power module	
3	2	VIS-CBHC6X20ZN	Hexagon socket button head screw M6x20	Vis tête bombée M6x20 six pans creux	
4	4	RON-M6ZN	Plain washer Ø6	Rondelle plate M Ø6	
5	2	ECR-HFR6ZN	Prevailing torque type hexagon nut M6	Écrou frein M6	
6	1	C1102XXXPN	Power module support	Support power module	

Rolling base assembly

Traverse for stopper assembly



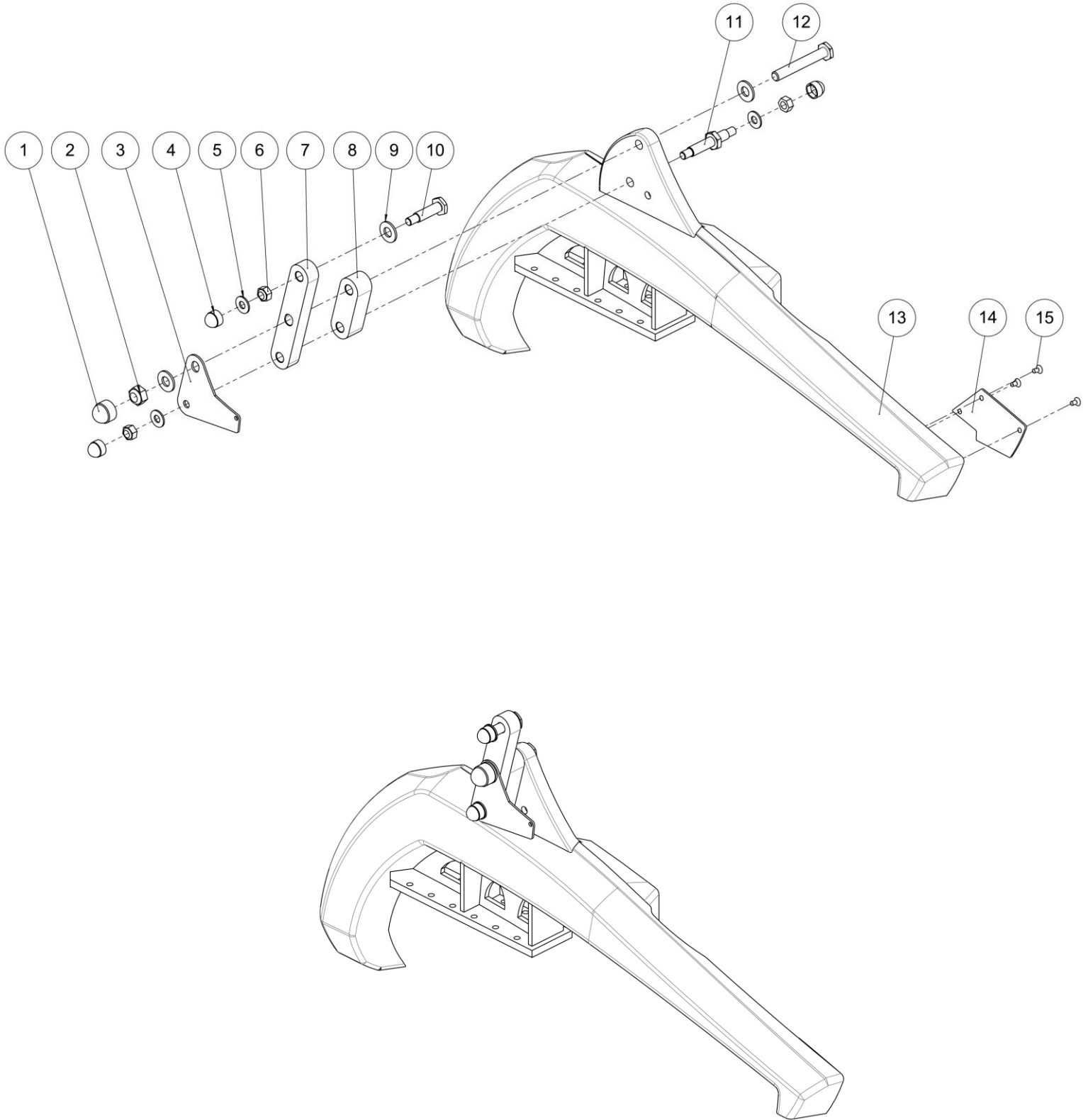


Rolling base assembly

Traverse for stopper assembly

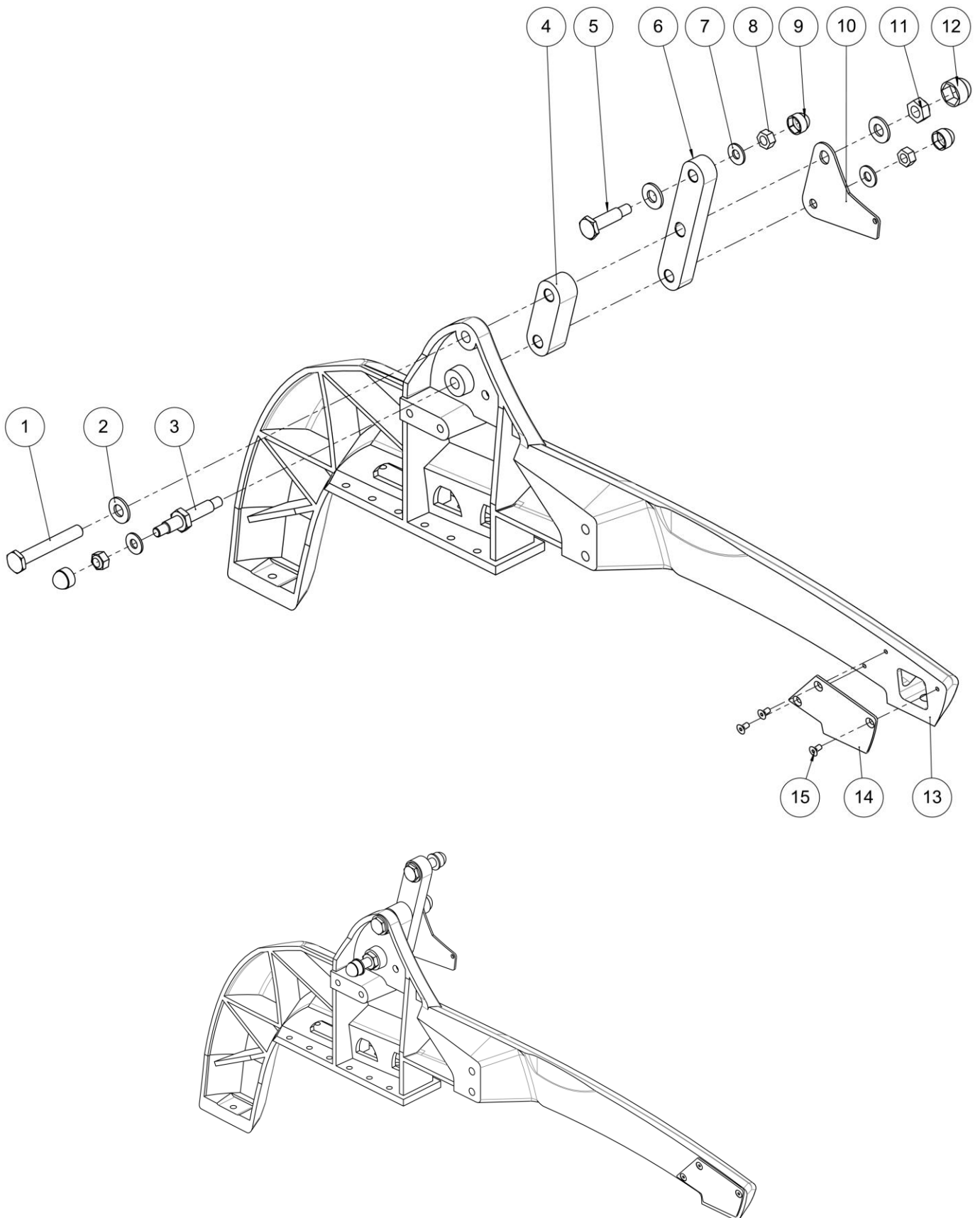
Traverse for stopper assembly

Pos	Qty	Stock Code	Description En	Description Fr	Remark
1	2	VIS-CBHC6X20ZN	Hexagon socket button head screw M6x20	Vis tête bombée M6x20 six pans creux	
2	2	RON-M6ZN	Plain washer Ø6	Rondelle plate M Ø6	
3	2	C1121XXXP	Cover fixation clip	Arrêt capot	
4	2	C1122XXXF	Spacer for cover	Entretoise de capot	
5	2	L1007LSEFO	Shock absorber Ø25x10mm M8x20mm	Amortisseur Ø25x10mm M8x20mm	
6	4	ECR-H8ZN	Hexagon nut M8	Ecrou M8	
7	1	C9131XXXP	Traverse for stopper	Traverse pour butée	
8	4	RON-M8ZN	Plain washer Ø8	Rondelle plate M Ø8	
9	4	VIS-CHC8X20ZN	Hexagon socket head cap screw M8x20	Vis tête cylindrique M8x20 six pans creux	

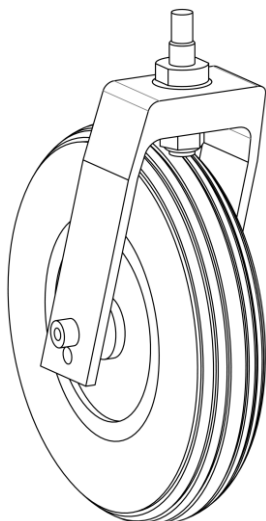
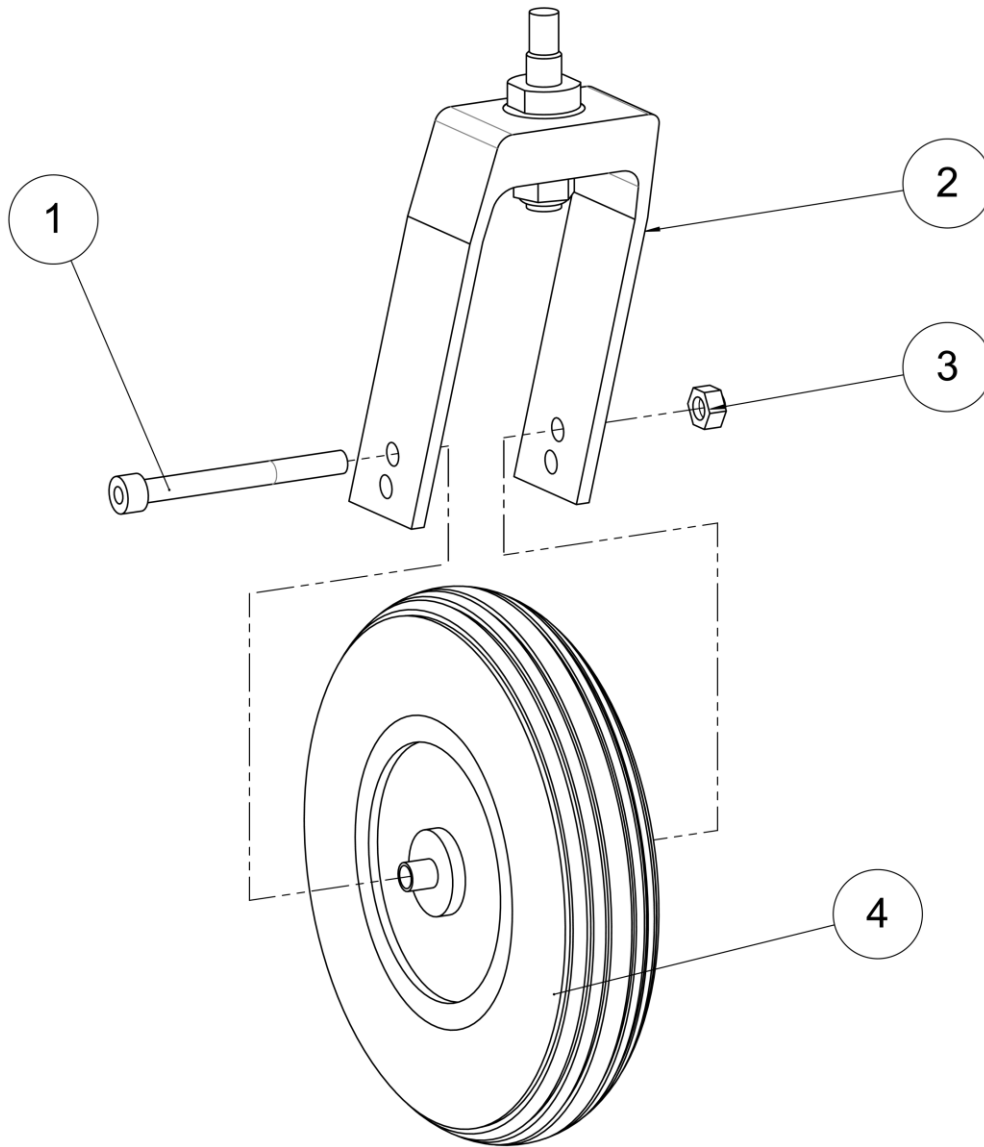


Right frame assembly

Pos	Qty	Stock Code	Description En	Description Fr	Remark
1	1	C0216XXXFO	Nut cap M10	Cache écrou M10	
2	1	ECR-HFR10ZN	Prevailing torque type hexagon nut M10	Ecrou frein M10	
3	1	C9150XXPN	Support headlight	Support phare avant	
4	3	C0214XXXFO	Nut cap M8	Cache écrou M8	
5	3	RON-M8ZN	Plain washer Ø8	Rondelle plate M Ø8	
6	3	ECR-HFR8ZN	Prevailing torque type hexagon nut M8	Ecrou frein M8	
7	1	C1010XXXAI	Connecting rod part	Platine pour biellette	
8	1	C1009X36AI	Spacer thickness 8mm for size 36 cm	Cale épaisseur 8mm pour taille 36 cm	Not used for size 40 cm C1009X44AI x2 for size 48 cm
		C1009X44AI	Spacer thickness 20mm for size 44 cm	Cale épaisseur 20mm pour taille 44 cm	
9	3	RON-M10ZN	Plain washer Ø10	Rondelle plate M Ø10	
10	1	C0207XXXZN	Upper connecting rod axle	Axe articulation bielle supérieure	
11	1	C1004X36ZN	Lower connecting rod axle size 36 cm	Axe de bielle inférieure taille 36 cm	
		C1004X40ZN	Lower connecting rod axle size 40 cm	Axe de bielle inférieure taille 40 cm	
		C1004X44ZN	Lower connecting rod axle size 44 cm	Axe de bielle inférieure taille 44 cm	
		C1004X48ZN	Lower connecting rod axle size 48 cm	Axe de bielle inférieure taille 48 cm	
12	1	C0204XXXZN	Axle Ø10x51.5x17 mm	Axe Ø10x51.5x17 mm	For size 36 & 40 cm For size 44 cm For size 48 cm
		C0203XXXZN	Axle Ø10x74x18.5 mm	Axe Ø10x74x18.5 mm	
		C0201XXXZN	Axle Ø10x90x18 mm	Axe Ø10x90x18 mm	
13	1	C1100RXXPN	Right black frame	Chassis droit noir	
		C1100RXXPB	Right blue frame	Chassis droit bleu	
		C1100RXXPR	Right red frame	Chassis droit rouge	
		C1100RXXBL	Right white frame	Chassis droit blanc	
14	1	C1104RXXFO	Right cover frame	Cache chassis droit	
15	3	VIS-FHC4X8ZN	Hexagon socket countersunk head screw M4x8	Vis tête fraisée M4x8 six pans creux	



Left frame assembly						
Pos	Qty	Stock Code	Description En	Description Fr	Remark	
1	1	C0204XXXZN	Axle Ø10x51.5x17 mm	Axe Ø10x51.5x17 mm	For size 36 & 40 cm	
		C0203XXXZN	Axle Ø10x74x18.5 mm	Axe Ø10x74x18.5 mm		For size 44 cm
		C0201XXXZN	Axle Ø10x90x18 mm	Axe Ø10x90x18 mm		For size 48 cm
2	3	RON-M10ZN	Plain washer Ø10	Rondelle plate M Ø10		
3	1	C1004X36ZN	Lower connecting rod axle size 36 cm	Axe de bielle inférieure taille 36 cm		
		C1004X40ZN	Lower connecting rod axle size 40 cm	Axe de bielle inférieure taille 40 cm		
		C1004X44ZN	Lower connecting rod axle size 44 cm	Axe de bielle inférieure taille 44 cm		
		C1004X48ZN	Lower connecting rod axle size 48 cm	Axe de bielle inférieure taille 48 cm		
4	1	C1009X36AI	Spacer thickness 8mm for size 36 cm	Cale épaisseur 8mm pour taille 36 cm	Not used for size 40 cm C1009X44AI x2 for size 48 cm	
		C1009X44AI	Spacer thickness 20mm for size 44 cm	Cale épaisseur 20mm pour taille 44 cm		
5	1	C0207XXXZN	Upper connecting rod axle	Axe articulation bielle supérieure		
6	1	C1010XXXAI	Connecting rod part	Platine pour biellette		
7	3	RON-M8ZN	Plain washer Ø8	Rondelle plate M Ø8		
8	3	ECR-HFR8ZN	Prevailing torque type hexagon nut M8	Ecrou frein M8		
9	3	C0214XXXFO	Nut cap M8	Cache écrou M8		
10	1	C9150XXXPN	Support headlight	Support phare avant		
11	1	ECR-HFR10ZN	Prevailing torque type hexagon nut M10	Ecrou frein M10		
12	1	C0216XXXFO	Nut cap M10	Cache écrou M10		
13	1	C1100LXXPN	Left black frame	Chassis gauche noir		
		C1100LXXPB	Left blue frame	Chassis gauche bleu		
		C1100LXXPR	Left red frame	Chassis gauche rouge		
		C1100LXXBL	Left white frame	Chassis gauche blanc		
14	1	C1104LXXFO	Left cover frame	Cache chassis gauche		
15	3	VIS-FHC4X8ZN	Hexagon socket countersunk head screw M4x8	Vis tête fraisée M4x8 six pans creux		



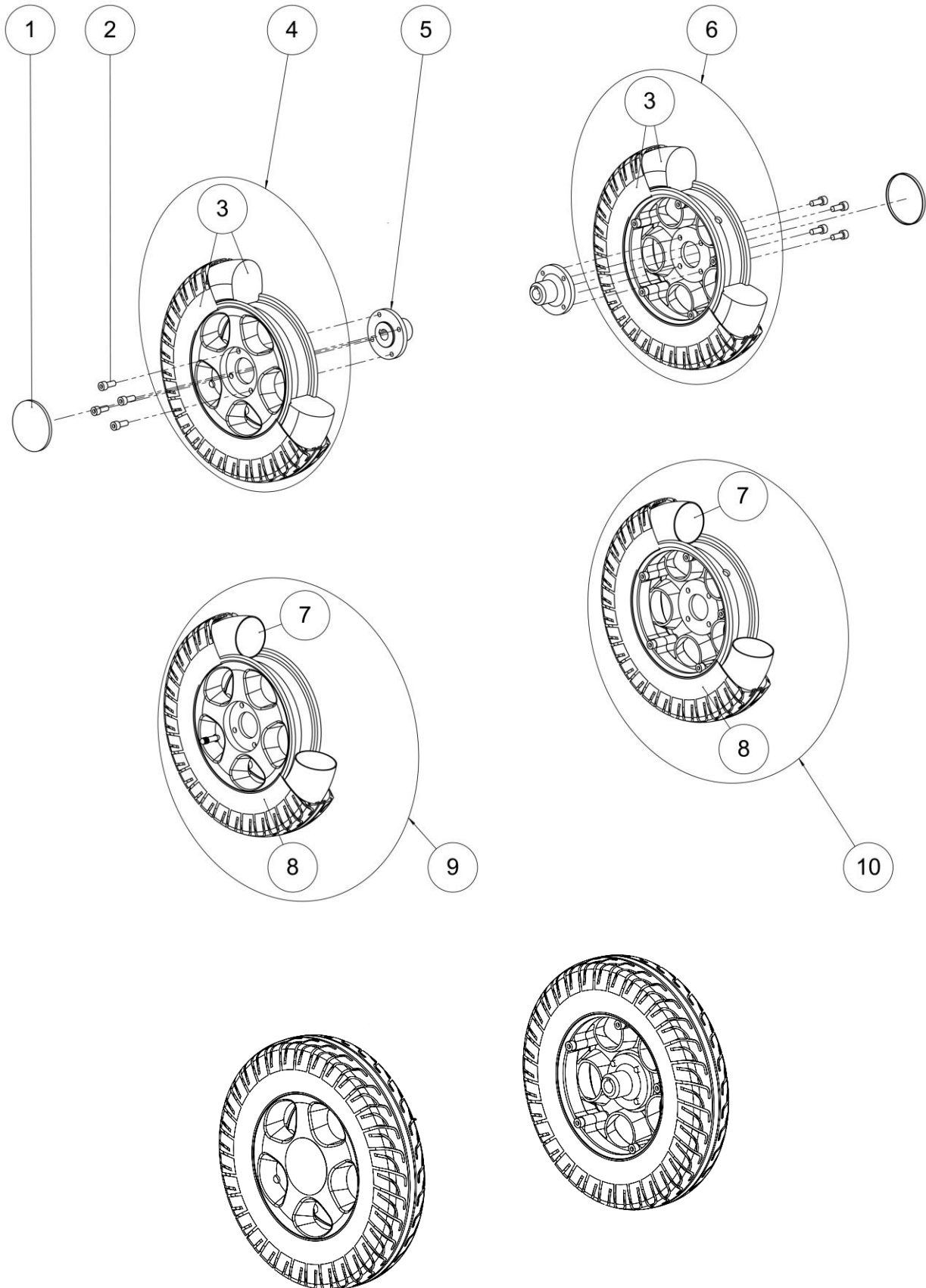


Rolling base assembly

Front wheel assembly

Front wheel assembly

Pos	Qty	Stock Code	Description En	Description Fr	Remark
1	1	VIS-CHC8X80ZN	Hexagon socket head cap screw M8x80	Vis tête cylindrique M8x80 six pans creux	
2	1	C7101XXXFO	Fork for LSC	Fourche LSC	Provided with axle
3	1	ECR-HFR8ZN	Prevailing torque type hexagon nut M8	Ecrou frein M8	
4	1	C7108FLEFO	Front wheel 8"	Roue avant 8"	



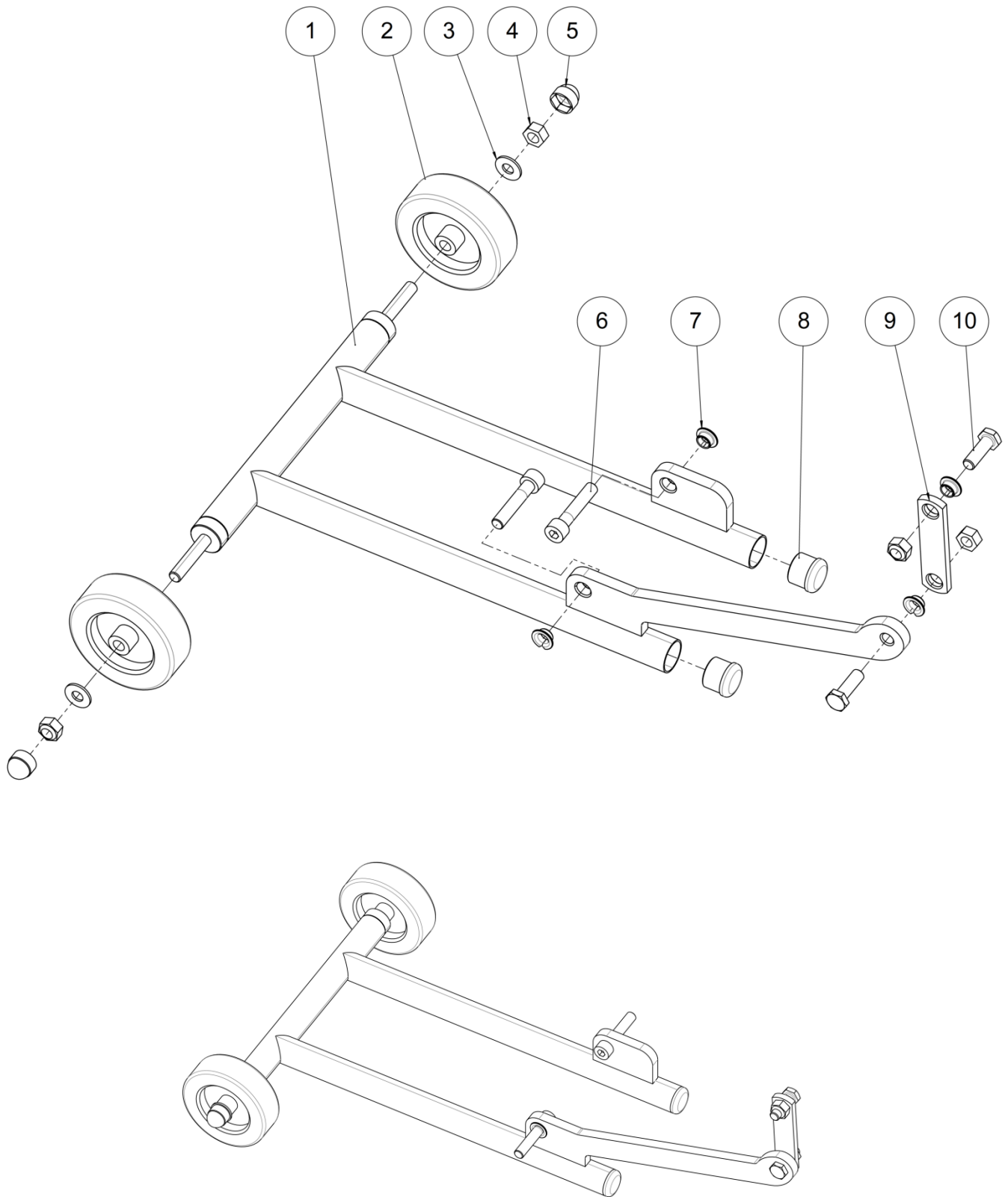


Rear wheel assembly

Pos	Qty	Stock Code	Description En	Description Fr	Remark
1	2	C7111XXXFO	Plastic cover rear rim	Cache plastique jante arrière	
2	8	VIS-CHC8X16ZN	Hexagon socket head cap screw M8x16	Vis tête cylindrique M8x16 six pans creux	
3	2	C7301FLEFO	Solid tyre 3.00-8"	Pneu plein 3.00-8"	
4	1	C7110RFLFO	Rear wheel 3.00-8" right – silver alu rim - solid	Roue arrière 3.00-8" droite – jante alu - bandage	
5	2	C7112XXXAI	Hub	Moyeu	
6	1	C7110LFLFO	Rear wheel 3.00-8" left – silver alu rim - solid	Roue arrière 3.00-8" gauche – jante alu - bandage	
7	2	MP705XXXFO	Tube 3.00-8"	Chambre à air 3.00-8"	
8	2	MP704XXXFO	Tyre 3.00-8"	Pneu 3.00-8"	
9	1	C7110RGOFO	Rear wheel 3.00-8" right – silver alu rim - inflatable	Roue arrière 3.00-8" droite – jante alu - gonflable	
10	1	C7110LGOFO	Rear wheel 3.00-8" left – silver alu rim - inflatable	Roue arrière 3.00-8" gauche – jante alu - gonflable	

Rolling base assembly

Anti-tip wheels assembly

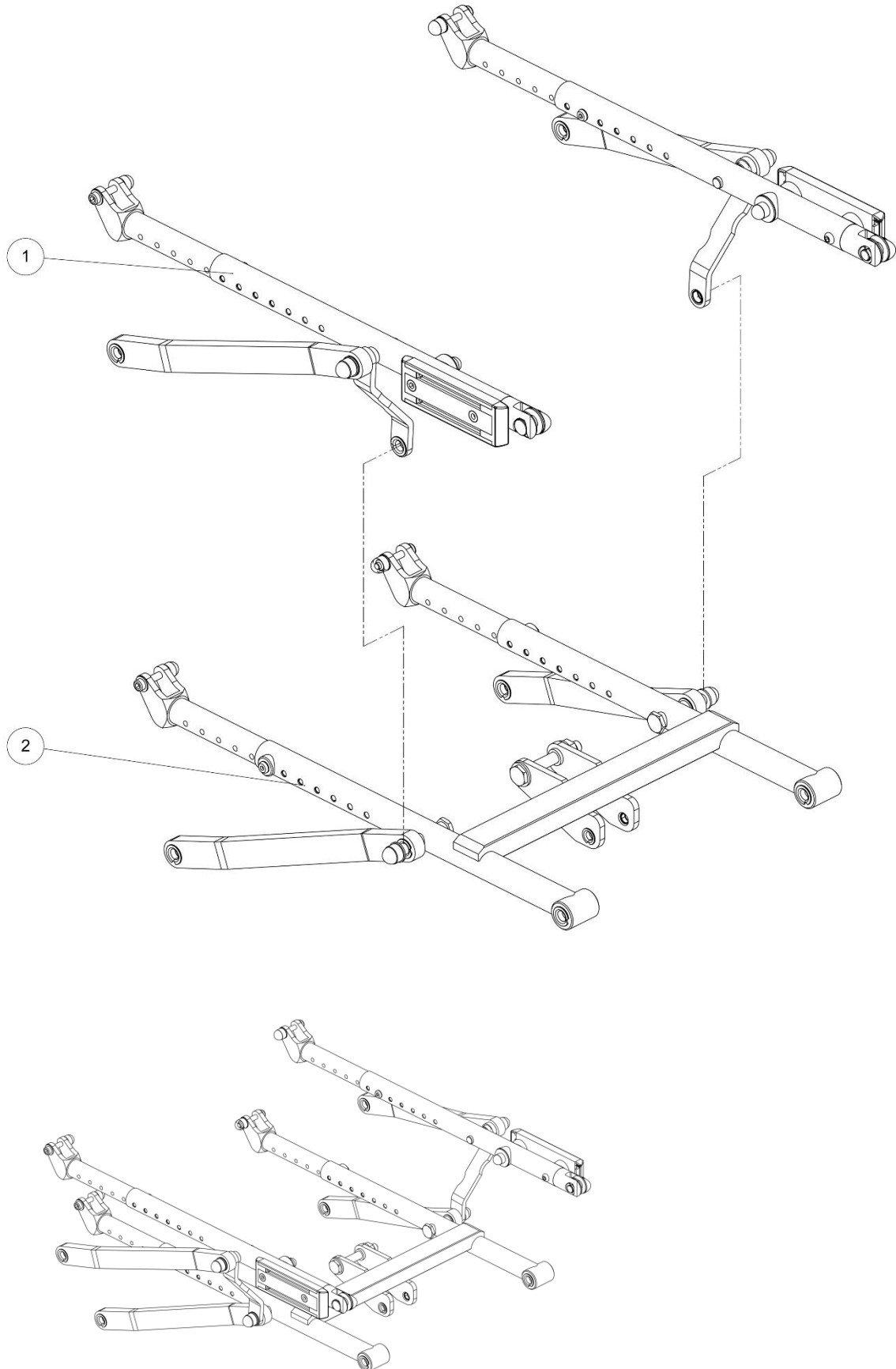




Anti-tip wheels assembly

Pos	Qty	Stock Code	Description En	Description Fr	Remark
1	1	C9121XXXPN	Anti-tip support	Support roulettes anti-basculé	
2	2	C7075XXXFO	Anti-tipper wheel $\varnothing 75 \times 24$ mm	Roue anti-basculé $\varnothing 75 \times 24$ mm	
3	2	RON-M8FINEZN	Plain thin washer $\varnothing 8$	Rondelle plate Z $\varnothing 8$	
4	4	ECR-HFR8ZN	Prevailing torque type hexagon nut M8	Ecrou frein M8	
5	2	C0214XXXFO	Nut cap M8	Cache écrou M8	
6	2	VIS-CHC8X40ZN	Hexagon socket head cap screw M8x40	Vis tête cylindrique M8x40 six pans creux	
7	4	L0007080FO	Collar bearing $\varnothing 8 \times \varnothing 10 \times 5.5$ mm	Coussinet à collerette $\varnothing 8 \times \varnothing 10 \times 5.5$ mm	
8	2	L0005221FO	Black cap for tube $\varnothing 22.1$ mm	Bouchon plastique noir $\varnothing 22.1$ mm	
9	1	C9024XXXPN	Anti-tip connecting rod	Bielle n°1 anti-basculé	
10	2	L0018XXXZN	Axle 8x25 mm	Axe 8x25 mm	

Seat assembly

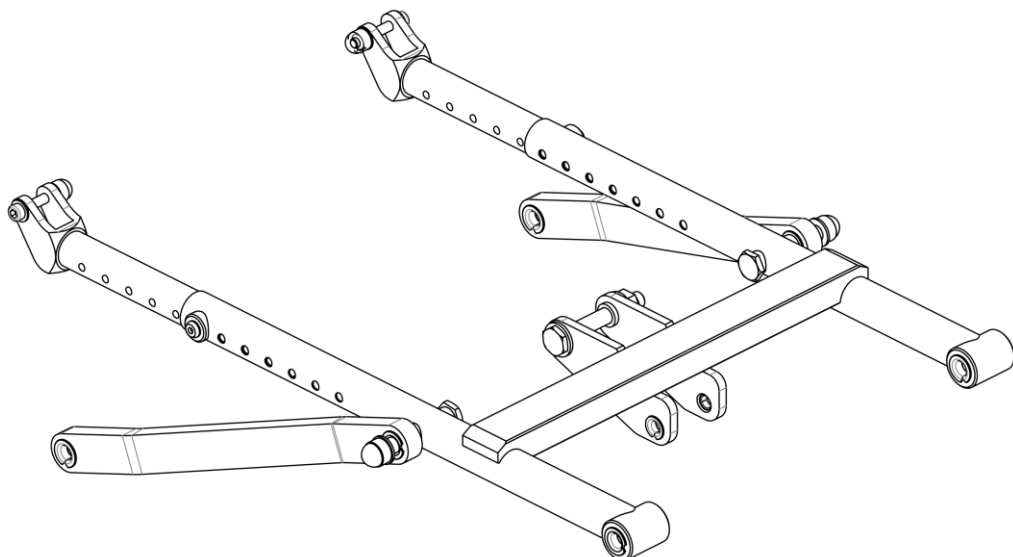
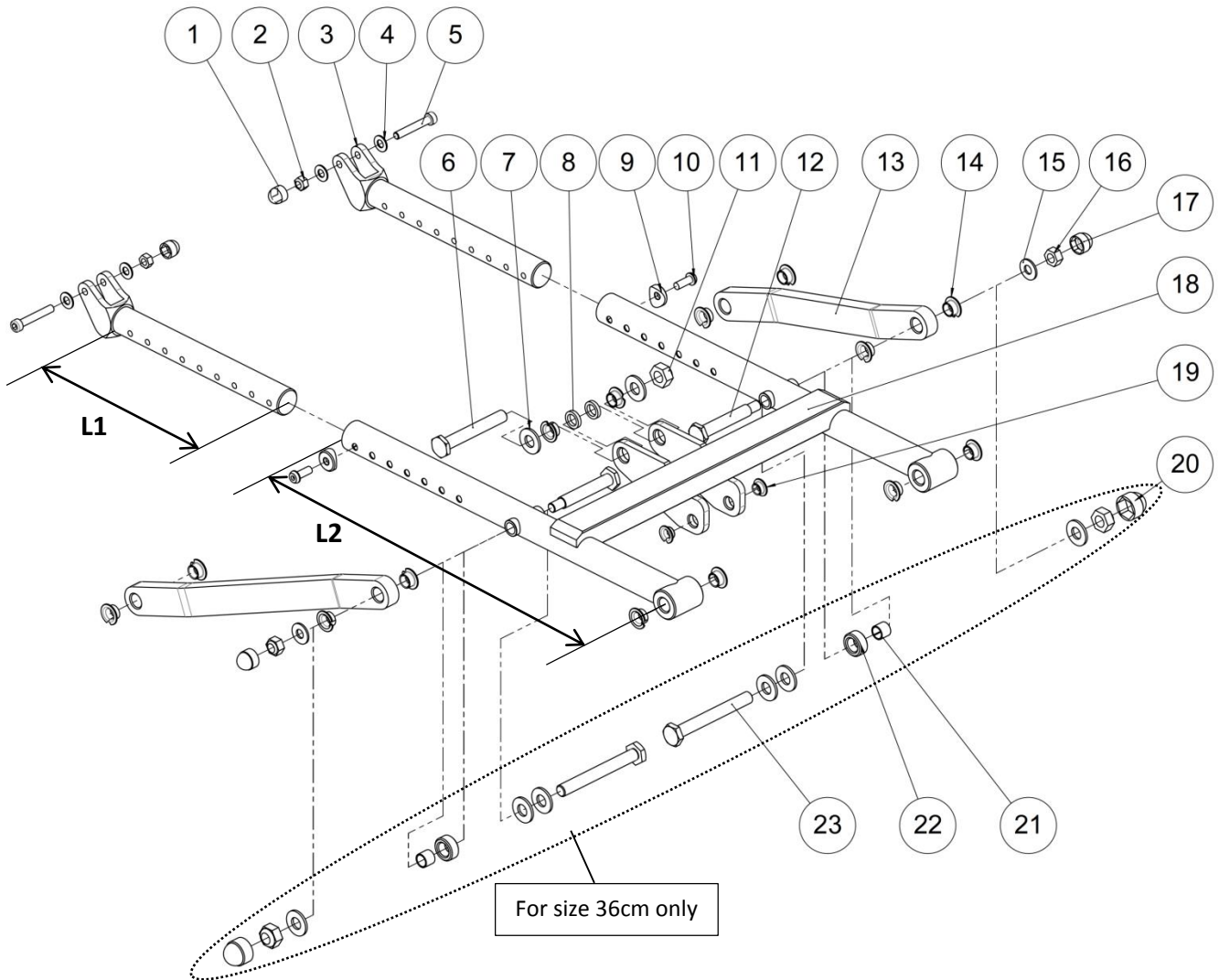


LSC3**SPARE PART CATALOG**Item N° **323753**Revision **A**Date **28/07/2015**Page **27** of **71**

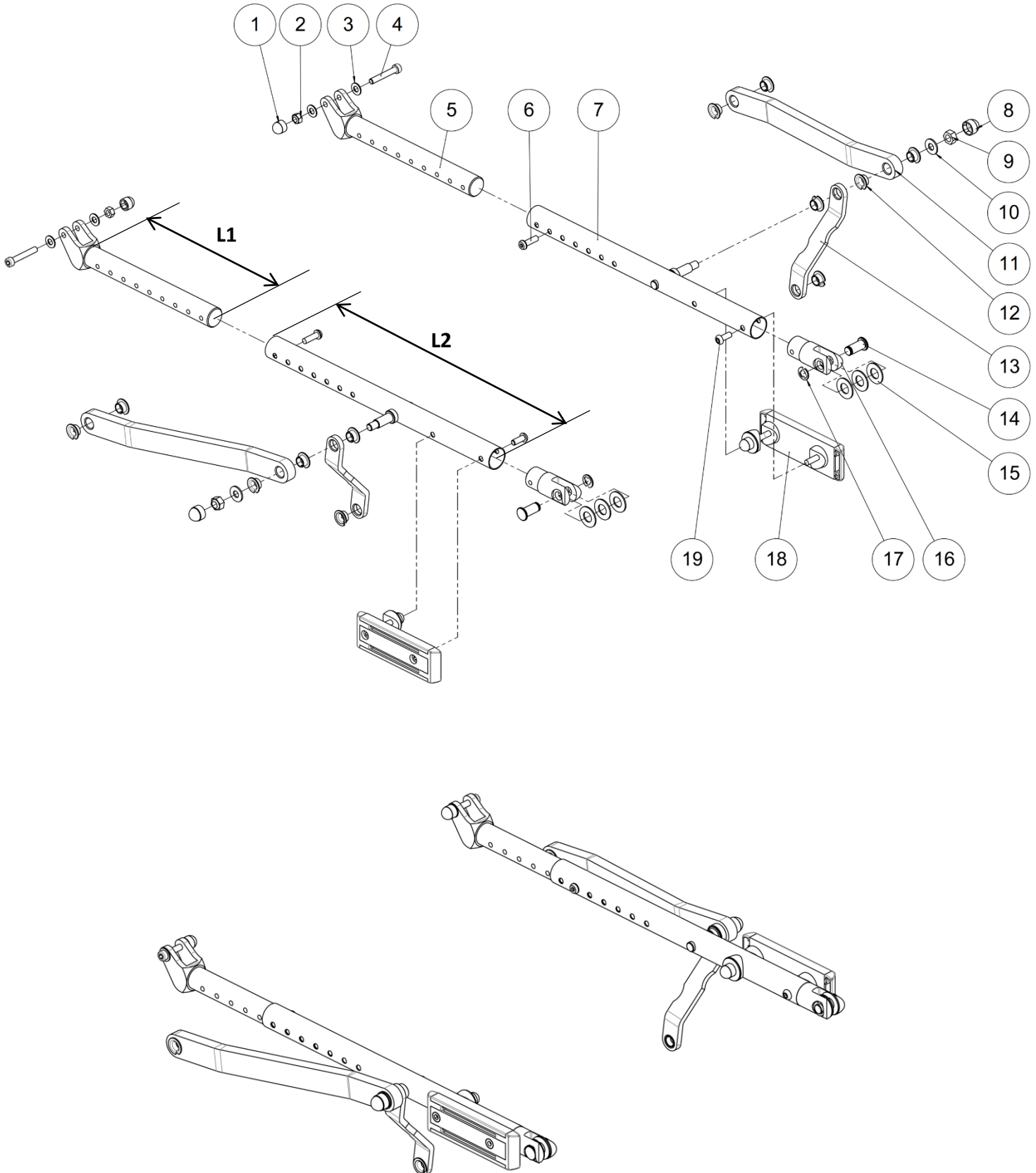
Seat assembly

Seat assembly

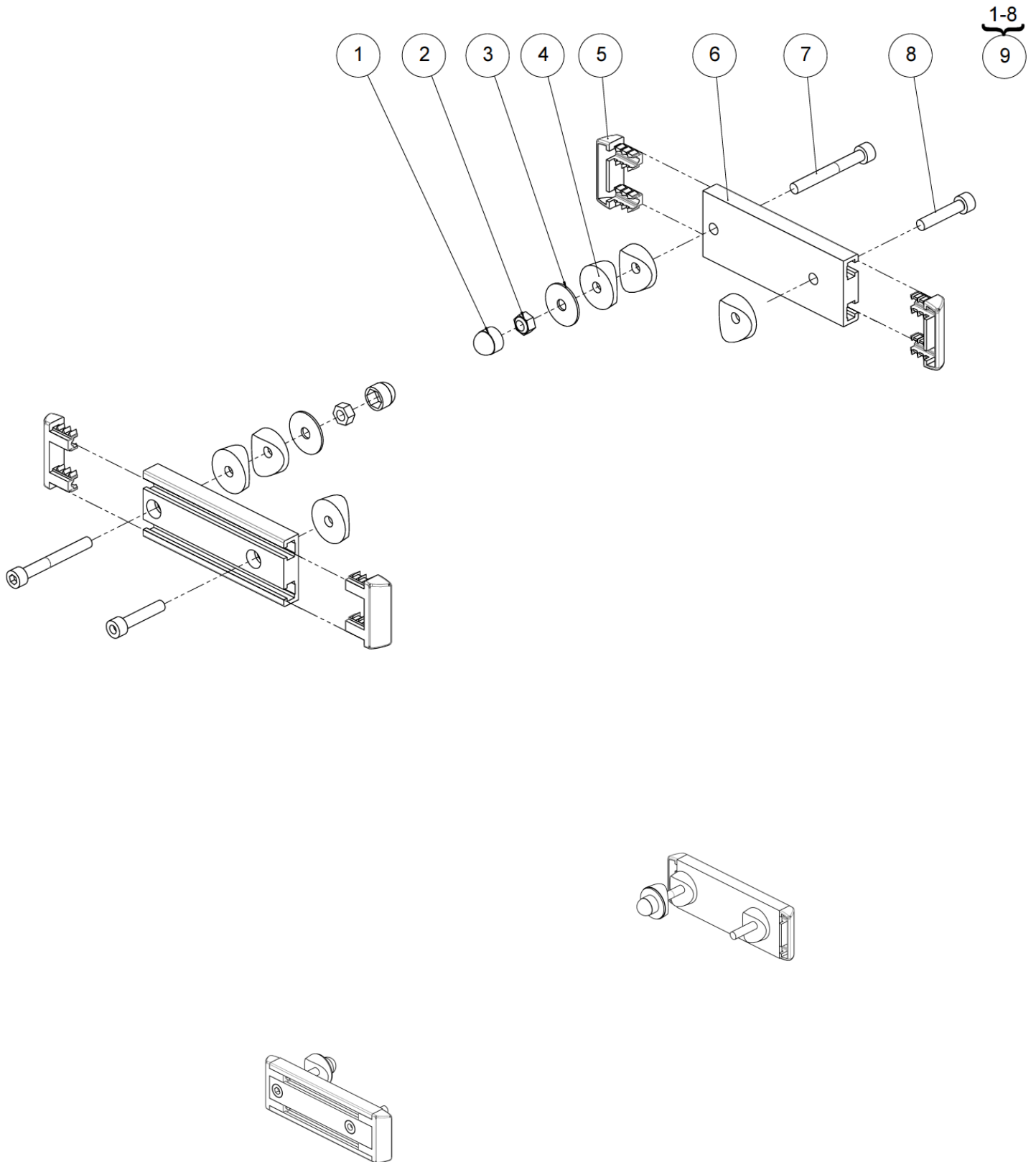
Pos	Qty	Stock Code	Description En	Description Fr	Remark
1	1		Upper seat assembly	Ensemble assise supérieure	See exploded view p.30
2	1		Lower seat assembly	Ensemble assise inférieure	See exploded view p.28



Lower seat assembly					
Pos	Qty	Stock Code	Description En	Description Fr	Remark
1	2	C0215XXXFO	Nut cap M6	Cache écrou M6	
2	2	ECR-HFR6ZN	Prevailing torque type hexagon nut M6	Ecrou frein M6	
3	2	C2006XXXAI	Seat groove	Coulisseau d'assise	L1 = 190 mm For LSC3 Adult L1 = 110 mm For LSC3 Kid
		C2006XSHAI	Short seat groove	Coulisseau d'assise court	
4	4	RON-M6ZN	Plain washer Ø6	Rondelle plate M Ø6	
5	2	C0210XXXZN	Axle Ø6x36x7 mm	Axe Ø6x36x7 mm	
6	1	C0203XXXZN	Axle Ø10x74x18.5 mm	Axe Ø10x74x18.5 mm	
7	8	RON-M10ZN	Plain washer Ø10	Rondelle plate M Ø10	
8	2	RON-M10EPAI-PLAS	Plain washer Ø10.3xØ15x3 mm plastic	Rondelle plate Ø10.3xØ15x3 mm plastique	
9	2	L0002254AI	Spacer for tube Ø25.4 mm	Entretoise pour tube Ø25.4 mm	
10	2	VIS-CBHC6X20ZN	Hexagon socket button head screw M6x20	Vis tête bombée M6x20 six pans creux	
11	3	ECR-HFR10ZN	Prevailing torque type hexagon nut M10	Ecrou frein M10	
12	2	C0212XXXZN	Lower seat axle	Axe assise inférieure	For size 40-44-48 cm only
13	2	C1005XXXAI	Upper seat connecting rod	Biellette d'assise supérieure	
14	14	L0007100FO	Collar bearing Ø10xØ12x7 mm	Coussinet à collerette Ø10xØ12x7 mm	
15	2	RON-M8ZN	Plain washer Ø8	Rondelle plate M Ø8	
16	2	ECR-HFR8ZN	Prevailing torque type hexagon nut M8	Ecrou frein M8	
17	2	C0214XXXFO	Nut cap M8	Cache écrou M8	
18	1	C2001XXXPN	Lower seat frame	Assise inférieure	L2 = 375 mm For LSC3 Adult L2 = 295 mm For LSC3 Kid
		C2001XSHPN	Lower seat frame short	Assise inférieure courte	
19	2	L0007080FO	Collar bearing Ø8xØ10x5.5 mm	Coussinet à collerette Ø8xØ10x5.5 mm	
20	2	C0216XXXFO	Nut cap M10	Cache écrou M10	
21	2	L0008100FO	Cylindrical bearing Ø10xØ12x10 mm	Coussinet cylindrique Ø10xØ12x10 mm	For size 36 cm only
22	2	C1002XXXZI	Spacer Ø12xØ20x9 mm	Entretoise Ø12xØ20x9 mm	For size 36 cm only
23	2	C0201XXXZN	Axle Ø10x90x18 mm	Axe Ø10x90x18 mm	For size 36 cm only



Upper seat assembly					
Pos	Qty	Stock Code	Description En	Description Fr	Remark
1	2	C0215XXXFO	Nut cap M6	Cache écrou M6	
2	2	ECR-HFR6ZN	Prevailing torque type hexagon nut M6	Ecrou frein M6	
3	4	RON-M6ZN	Plain washer Ø6	Rondelle plate M Ø6	
4	2	C0210XXXZN	Axle Ø6x36x7 mm	Axe Ø6x36x7 mm	
5	2	C2006XXXAI	Seat groove	Coulisseau d'assise	L1 = 190 mm For LSC3 Adult
		C2006XSHAI	Short seat groove	Coulisseau d'assise court	L1 = 110 mm For LSC3 Kid
6	2	VIS-CBHC6X20ZN	Hexagon socket button head screw M6x20	Vis tête bombée M6x20 six pans creux	
7	2	C2002XXXPN	Upper seat tube	Tube d'assise supérieure	L2 = 345 mm For LSC3 Adult
		C2002XSHPN	Upper short seat tube	Tube d'assise supérieure court	L2 = 265 mm For LSC3 Kid
8	2	C0214XXXFO	Nut cap M8	Cache écrou M8	
9	2	ECR-HFR8ZN	Prevailing torque type hexagon nut M8	Ecrou frein M8	
10	2	RON-M8ZN	Plain washer Ø8	Rondelle plate M Ø8	
11	2	C1005XXXAI	Upper seat connecting rod	Biellette d'assise supérieure	
12	12	L0007100FO	Collar bearing Ø10xØ12x7 mm	Coussinet à collerette Ø10xØ12x7 mm	
13	2	C1003X36AI	Seat connecting rod size 36 cm	Biellette assise taille 36 cm	
		C1003X40AI	Seat connecting rod size 40 cm	Biellette assise taille 40 cm	
		C1003X44AI	Seat connecting rod size 44 cm	Biellette assise taille 44 cm	
		C1003X48AI	Seat connecting rod size 48 cm	Biellette assise taille 48 cm	
14	2	L1004XXXZN	Fork joint axle	Axe chape/chassis porteur	
15	6	RON-Z12FINEPLAS	Nylon washer Ø12.2xØ24x1.3 mm	Rondelle Ø12.2xØ24x1.3 mm nylon	
16	2	L2007XXXFO	Fork joint	Chape assise	
17	2	ANN-RAD10RENFO	E-type reinforced ring Ø10	Anneau E radial Ø10 renforcé	
18	1		Kit UNITRACK LSC3	Kit UNITRACK LSC3	See exploded view p.32
19	2	VIS-CBHC6X10ZN	Hexagon socket button head screw M6x10	Vis tête cylindrique M6x10 six pans creux	





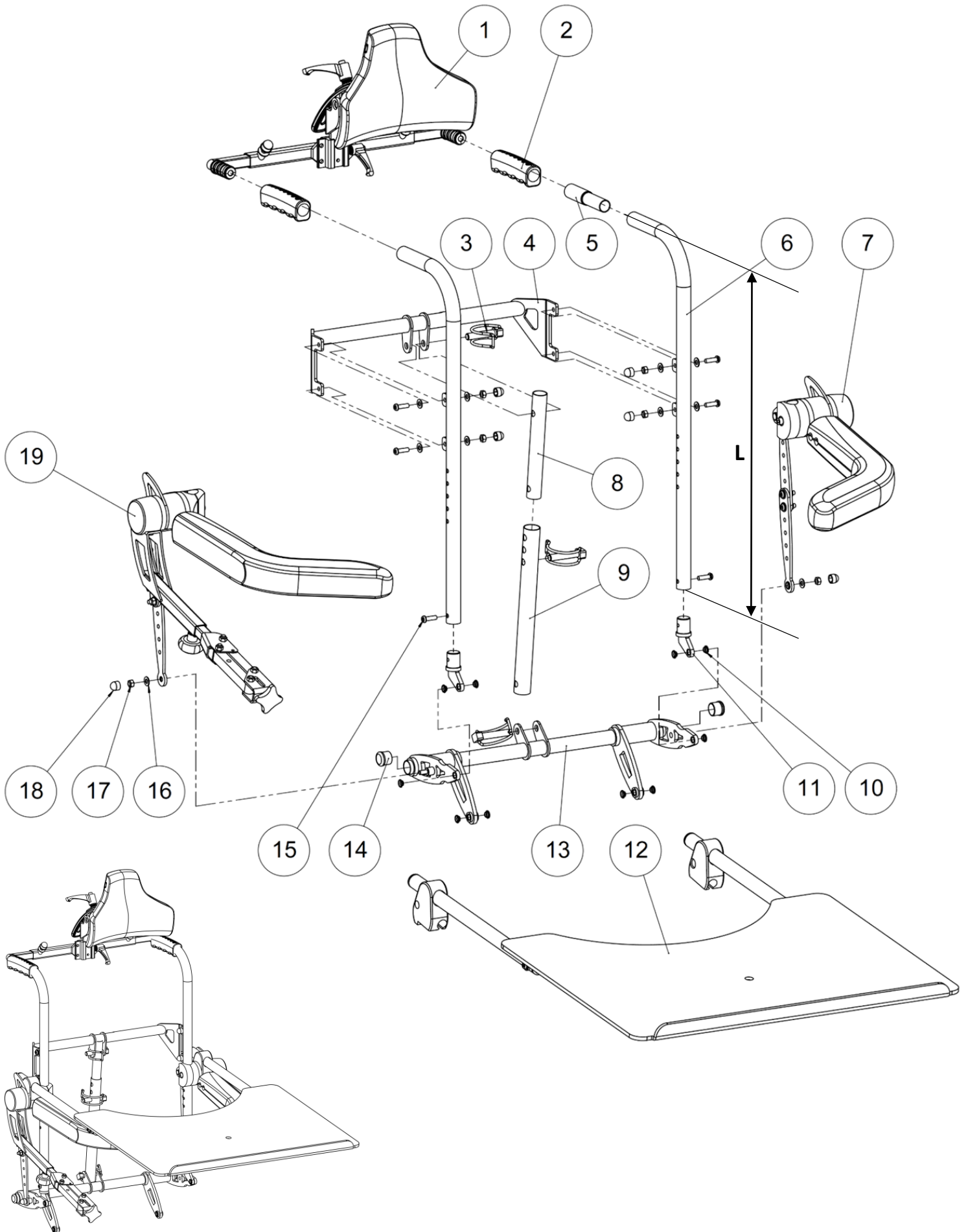
Seat assembly

UNITRACK assembly

UNITRACK assembly

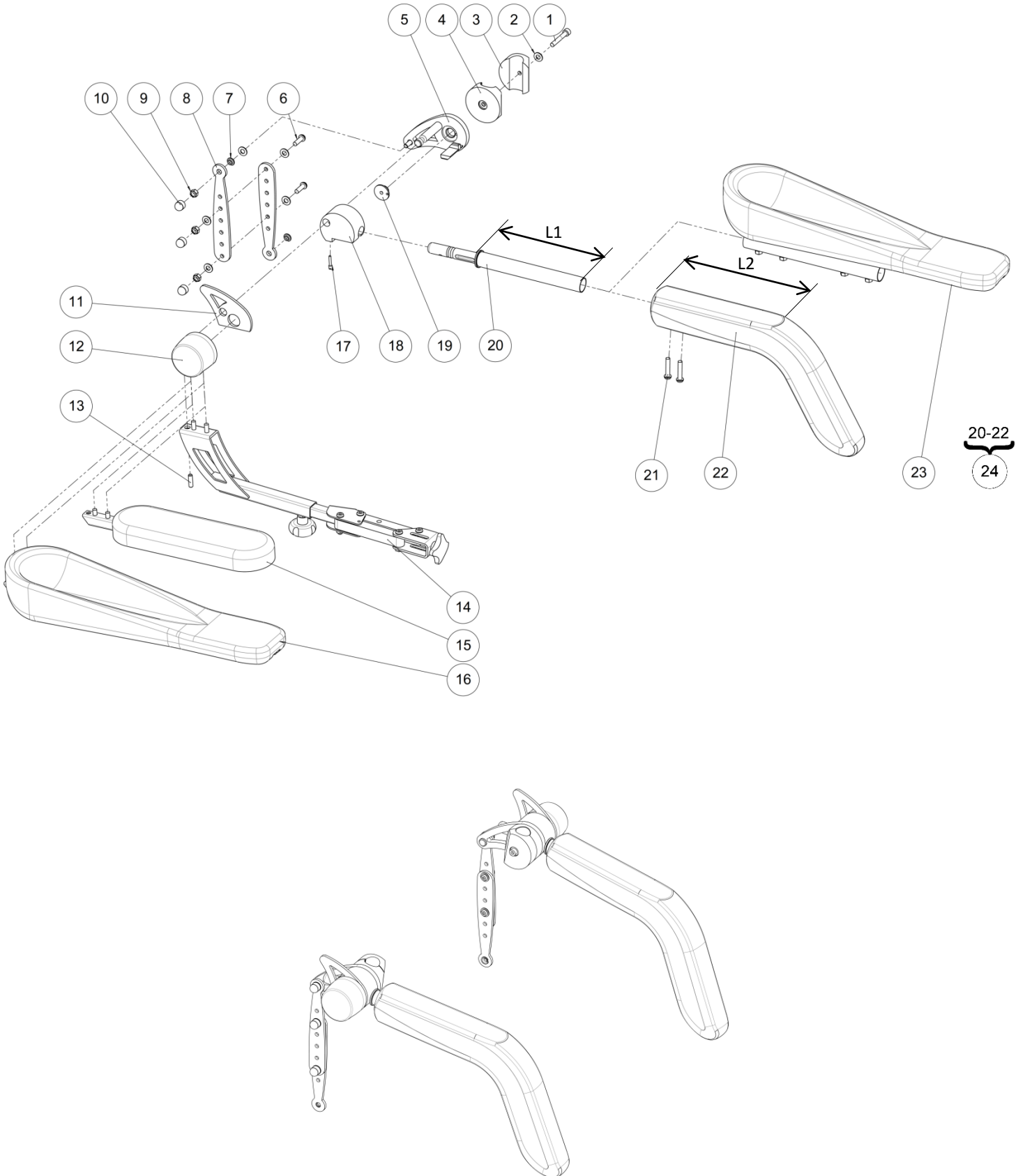
Pos	Qty	Stock Code	Description En	Description Fr	Remark
1	2	C0215XXXFO	Nut cap M6	Cache écrou M6	
2	2	ECR-HFR6ZN	Prevailing torque type hexagon nut M6	Ecrou frein M6	
3	2	RON-LL6ZN	Fender washer Ø6	Rondelle plate LL Ø6	
4	6	614272	Form washer Ø25mm	Coupelle à tube Ø25mm	
5	4	315427	Plastic plug 11x40 mm	Bouchon plastique 11x40 mm	
6	2	322172	Bracket adjustment Lg. 105 mm	Rail UNITRACK Lg. 105 mm	
7	2	VIS-CBHC6X45ZN	Hexagon socket button head screw M6x45	Vis tête bombée M6x45 six pans creux	
8	2	VIS-CBHC6X35ZN	Hexagon socket button head screw M6x35	Vis tête bombée M6x35 six pans creux	
9	1	322173	Kit bracket adjustment LSC3 (pair)	Kit rail UNITRACK LSC3 (paire)	

Backrest assembly



Backrest assembly

Backrest assembly					
Pos	Qty	Stock Code	Description En	Description Fr	Remark
1	1		Headrest assembly	Ensemble appui tête	See exploded view p.42
2	2	L4004ERGFO	Ergonomic handle	Poignée ergonomique	
3	2-3	L0013XXXFO	Half-moon pin $\varnothing 10 \times 45$ mm	Goupille clip demi-lune $\varnothing 10 \times 45$ mm	
4	1	C4002X36PN	Backrest crossbar size 36 cm	Traverse dossier taille 36 cm	
		C4002X40PN	Backrest crossbar size 40 cm	Traverse dossier taille 40 cm	
		C4002X44PN	Backrest crossbar size 44 cm	Traverse dossier taille 44 cm	
		C4002X48PN	Backrest crossbar size 48 cm	Traverse dossier taille 48 cm	
5	0-2	L4006XXXPN	Extended pushhandle	Rallonge poignée dossier	
6	2	C4052XCOPN	Short backrest tube	Montant de dossier court	L = 450 mm
		C4052XXXPN	Backrest tube	Montant de dossier	L = 550 mm
7	1		Left armrest assembly	Ensemble accoudoir gauche	See exploded view p.36
8	1	C4160XXXPN	Lower actuator tube	Tube vérin dossier bas	For rigid backrest
9	1	C4161XXXPN	Upper actuator tube	Tube vérin dossier haut	For rigid backrest
10	10	L0007080FO	Collar bearing $\varnothing 8 \times \varnothing 10 \times 5.5$ mm	Coussinet à collerette $\varnothing 8 \times \varnothing 10 \times 5.5$ mm	
11	2	C4050XXXZN	Backrest pivot	Pivot de dossier	
12	1		Tray table assembly	Ensemble table de travail	See exploded view p.44
13	1	C4001X36PN	Lower backrest crossbar size 36 cm	Traverse dossier inférieure taille 36 cm	
		C4001X40PN	Lower backrest crossbar size 40 cm	Traverse dossier inférieure taille 40 cm	
		C4001X44PN	Lower backrest crossbar size 44 cm	Traverse dossier inférieure taille 44 cm	
		C4001X48PN	Lower backrest crossbar size 48 cm	Traverse dossier inférieure taille 48 cm	
14	2	L0005221FO	Black cap for tube $\varnothing 22.1$ mm	Bouchon plastique noir pour tube $\varnothing 22.1$ mm	
15	6	VIS-CBHC6X20ZN	Hexagon socket button head screw M6x20	Vis tête bombée M6x20 six pans creux	
16	10	RON-M6ZN	Plain washer $\varnothing 6$	Rondelle plate M $\varnothing 6$	
17	6	ECR-HFR6ZN	Prevailing torque type hexagon nut M6	Ecrou frein M6	
18	6	C0215XXXFO	Nut cap M6	Cache écrou M6	
19	1		Right armrest assembly	Ensemble accoudoir droit	See exploded view p.36

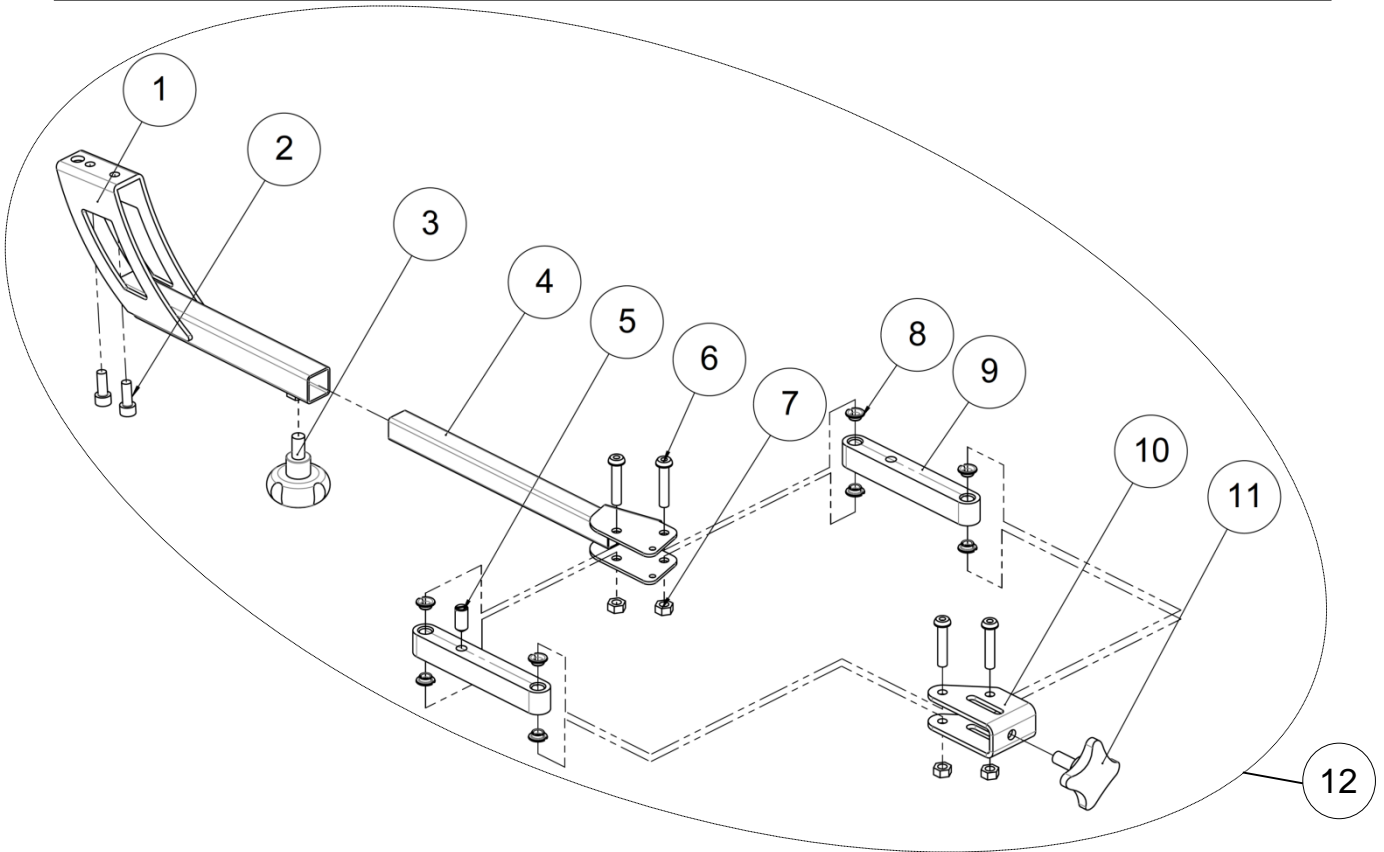


Armrests assembly					
Pos	Qty	Stock Code	Description En	Description Fr	Remark
1	2	VIS-CHC6X40ZN	Hexagon socket head cap screw M6x40	Vis tête cylindrique M6x40 six pans creux	
2	12	RON-M6ZN	Plain washer Ø6	Rondelle plate M Ø6	
3-4	2	C4051XXXAI	Electrical backrest knob	Noix pour dossier electrique	
5	1	C4055RXXZN	Right adjusting lever	Levier d'indexation droit	
	1	C4055LXXZN	Left adjusting lever	Levier d'indexation gauche	
6	4	VIS-CBHC6X20ZN	Hexagon socket button head screw M6x20	Vis tête bombée M6x20 six pans creux	
7	4	L0007060FO	Collar bearing Ø6xØ8x4 mm	Coussinet à collerette Ø6xØ8x4 mm	
8	4	C4003XXXP	Adjusting part	Tirant d'indexation	
9	6	ECR-HFR6ZN	Prevailing torque type hexagon nut M6	Ecrou frein M6	
10	6	C0215XXXFO	Nut cap M6	Cache écrou M6	
11	2	C4059XXXZN	Armrest stop	Butée d'accoudoir	
12	1	C4054RXXAI	Right pantograph knob	Noix droite de pantographe	
	1	C4054LXXAI	Left pantograph knob	Noix gauche de pantographe	
13	2	VIS-HC6X20ZN	Hexagon socket set screw M6x20	Vis sans tête M6x20 six pans creux	
14	1		Pantograph assembly	Ensemble pantographe	See exploded view p.38
15	1		Additional large armrest assembly	Ensemble accoudoir supplémentaire large	See exploded view p.40
16	1		Additional drainpipe armrest assembly	Ensemble accoudoir supplémentaire gouttière	See exploded view p.40
17	2	L3044XXXFO	Knee-support locking screw M5	Vis verrou genouillère M5	
18	1	C4053RXXAI	Right armrest knob	Noix accoudoir droite indexable	If tray table use C4062RPAAI pos. 10 p.44
	1	C4053LXXAI	Left armrest knob	Noix accoudoir gauche indexable	If tray table use C4062LPAAI pos. 5 p.44
19	2	C4056XXXZN	Armrest pivot	Pivot d'accoudoir	
20	1	L4055RXXZN	Right armrest support	Support accoudoir droit	L1 ≈ 160 mm
		L4055LXXZN	Left armrest support	Support accoudoir gauche	L1 ≈ 160 mm
	1	L4055RSHZN	Right armrest support short	Support accoudoir droit court	L1 ≈ 110 mm
		L4055LSHZN	Left armrest support short	Support accoudoir gauche court	L1 ≈ 110 mm
21	4	VIS-CBHC6X30ZN	Hexagon socket button head screw M6x30	Vis tête bombée M6x30 six pans creux	
22	1	L4060XXXFO	Long armrest chest support	Accoudoir appui pectoral long	L2 ≈ 200 mm
		L4060XSHFO	Short armrest chest support	Accoudoir appui pectoral court	L2 ≈ 150 mm
23	1		Drainpipe armrest assembly	Ensemble accoudoir gouttière	See exploded view p.38
24	1	L4060STDMONTE	Kit long armrests (pair)	Kit accoudoirs long (paire)	L1 ≈ 160 mm L2 ≈ 200 mm
		L4060XSHMONTE	Kit short armrests (pair)	Kit accoudoirs court (paire)	L1 ≈ 110 mm L2 ≈ 150 mm

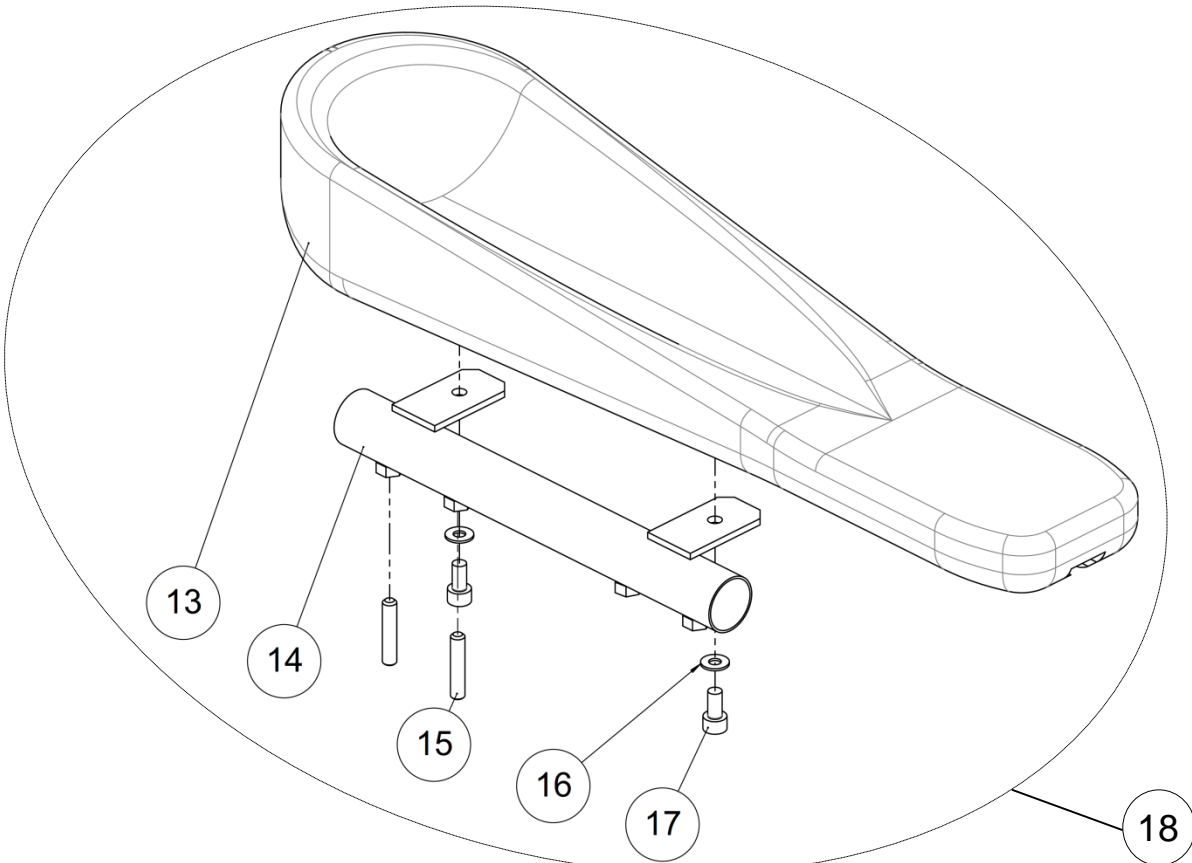
Backrest assembly

Pantograph and drainpipe armrest assembly

PANTOGRAPH ASSEMBLY



DRAINPIPE ARMREST ASSEMBLY



Backrest assembly

Pantograph and drainpipe armrest assembly

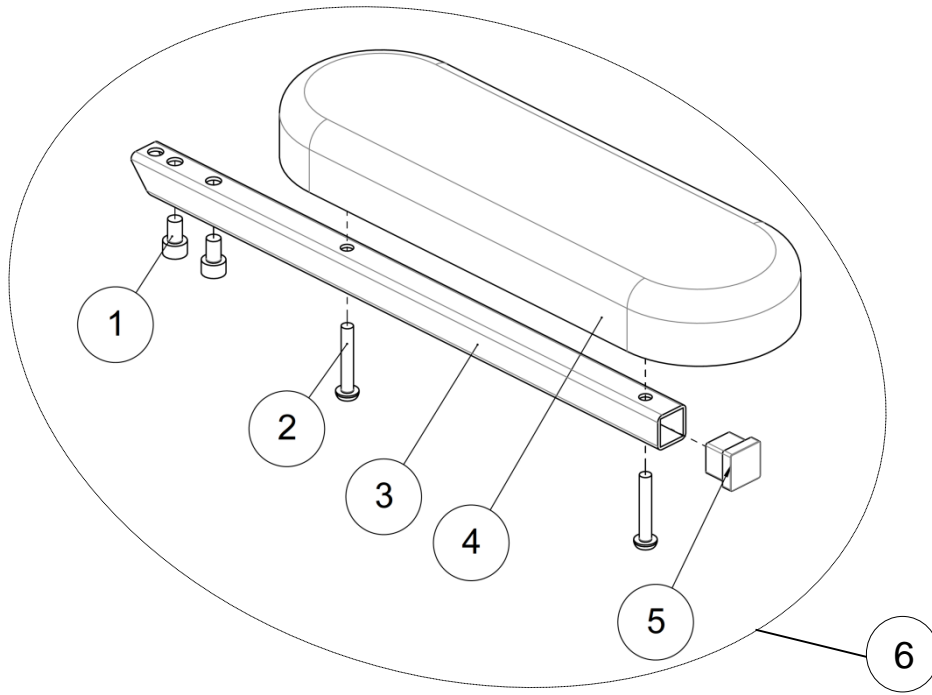
Pantograph and drainpipe armrest assembly

Pos	Qty	Stock Code	Description En	Description Fr	Remark
1	1	C4157XLGPN	Length pantograph support	Support pantographe long	
2	2	VIS-CHC6X16ZN	Hexagon socket head cap screw M6x16	Vis tête cylindrique M6x16 six pans creux	
3	1	L0026XXXFO	Adjustment knob bomba M8x15	Poignée bomba 40 M8x15	
4	1	C4158XLGCR	Length pantograph rod	Tige de pantographe long	
5	1	C0005XXXFO	Spring pushing M8	Poussoir à ressort M8	
6	4	VIS-CBHC6X30ZN	Hexagon socket button head screw M6x30	Vis tête bombée M6x30 six pans creux	
7	4	ECR-HFR6ZN	Prevailing torque type hexagon nut M6	Ecrou frein M6	
8	8	L0007060FO	Collar bearing $\varnothing 6 \times \varnothing 8 \times 4$ mm	Coussinet à collerette $\varnothing 6 \times \varnothing 8 \times 4$ mm	
9	2	C4172XXXAI	Pantograph connecting rod	Biellette de pantographe	
10	1	C4171XXXPN	Control box bracket	Chape pantographe	
11	1	L0020XXXFO	Adjustment knob M8x20	Poignée quadro M8x20	
12	1	C4060XXXFO	Lifestand pantograph	Pantographe Lifestand	
13	1	L9075XXXFO	Ergonomic armrest large	Accoudoir gouttière grand	
14	1	L9015XXXZN	Ergonomic armrest support	Support accoudoir gouttière	
15	2	VIS-HC6X30ZN	Hexagon socket set screw M6x30	Vis sans tête M6x30 six pans creux	
16	2	RON-M5ZN	Plain washer $\varnothing 5$	Rondelle plate M $\varnothing 5$	
17	2	VIS-CHC5X12ZN	Hexagon socket head cap screw M5x12	Vis tête cylindrique M5x12 six pans creux	
18	1	L9170XXXFO	Kit drainpipe armrest (unit)	Kit accoudoir gouttière (l'unité)	

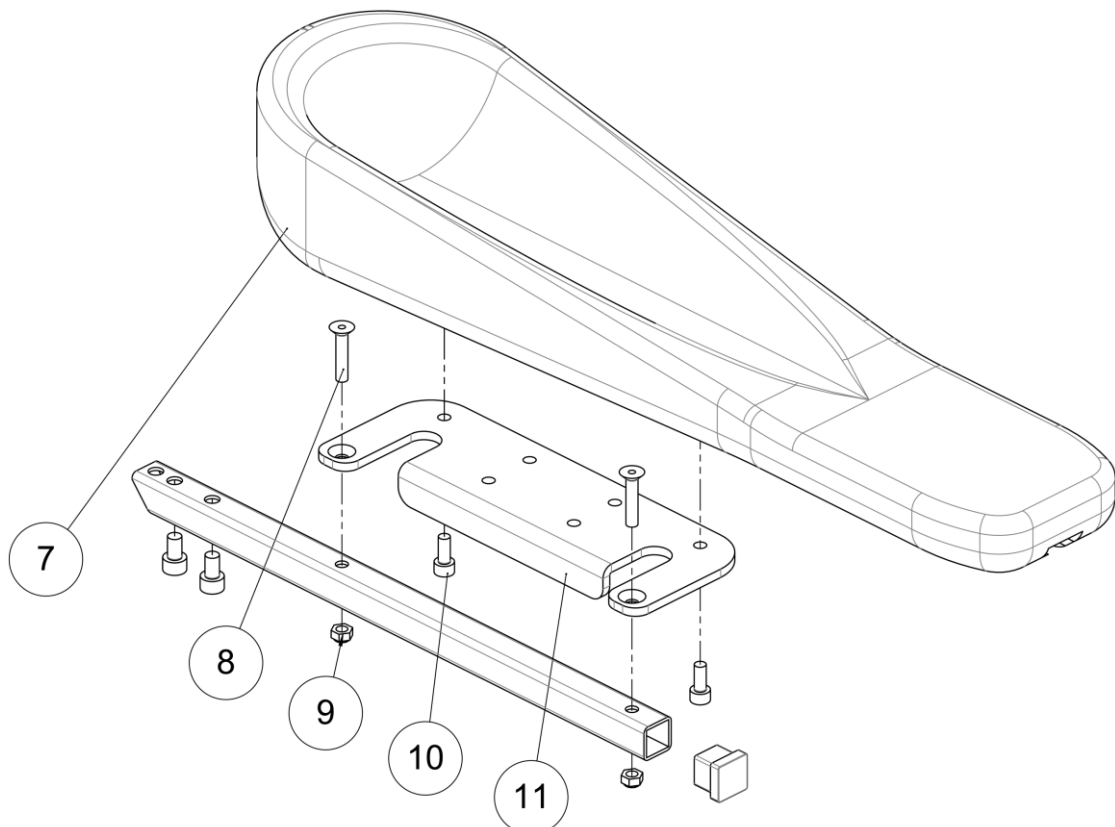
Backrest assembly

Additional armrests assembly

ADDITIONAL LARGE ARMREST ASSEMBLY



ADDITIONAL DRAINPIPE ARMREST ASSEMBLY

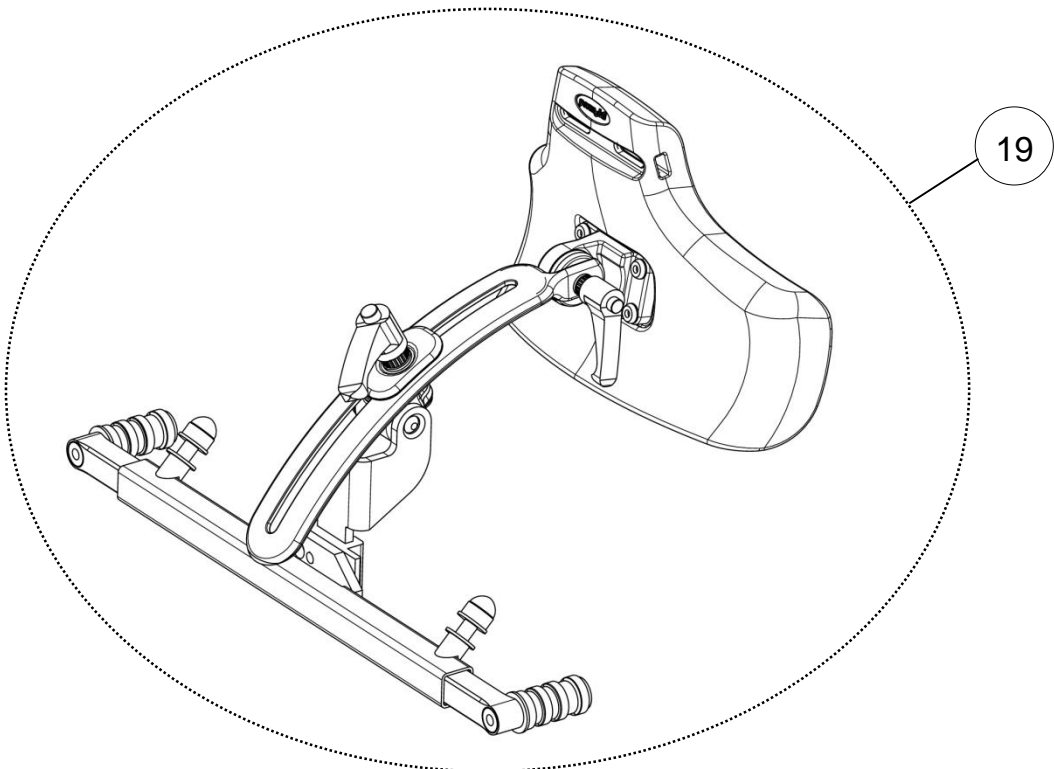
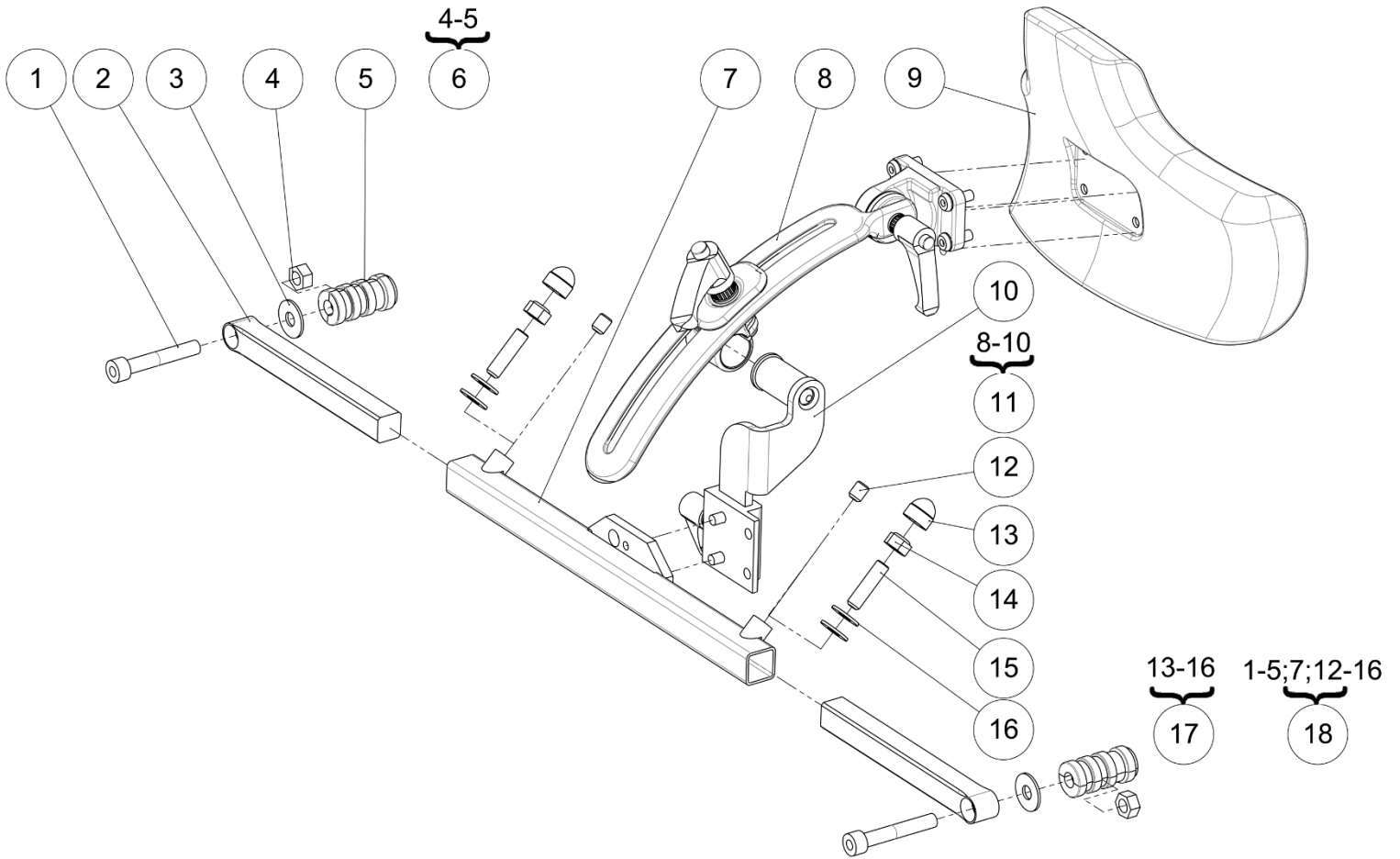


Backrest assembly

Additional armrests assembly

Additional armrests assembly

Pos	Qty	Stock Code	Description En	Description Fr	Remark
1	4	VIS-CHC6X16ZN	Hexagon socket head cap screw M6x16	Vis tête cylindrique M6x16 six pans creux	
2	2	VIS-CBHC5X30ZN	Hexagon socket button head screw M5x30	Vis tête bombée M5x30 six pans creux	
3	2	C4153XXXPN	Double armrest support	Support double accoudoir	
4	1	SX912XXXFO	Armrest large	Accoudoir large	
5	2	C0001XXXFO	Square black tip 16x16 mm	Embout carré 16x16 mm noir	
6	1	C9140XXXFO	Kit large armrest (unit)	Kit accoudoir supplémentaire large (l'unité)	
7	1	L9075XXXFO	Ergonomic armrest large	Accoudoir gouttière grand	
8	2	VIS-FHC5X30ZN	Hexagon socket countersunk head screw M5x30	Vis tête fraisée M5x30 six pans creux	
9	2	ECR-HFR5ZN	Prevailing torque type hexagon nut M5	Ecrou frein M5	
10	2	VIS-CHC5X12ZN	Hexagon socket head cap screw M5x12	Vis tête cylindrique M5x12 six pans creux	
11	1	320749	Armrest plate	Support accoudoir double	

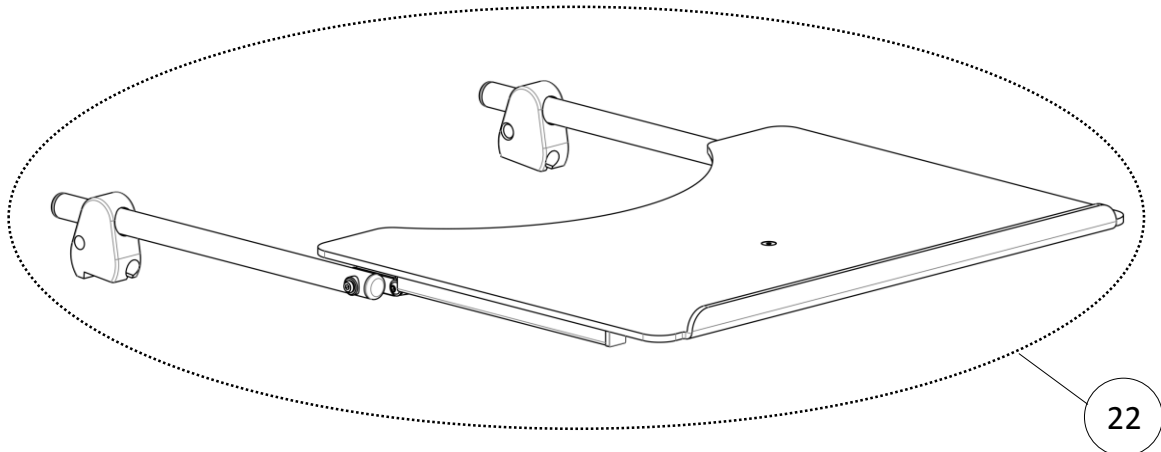
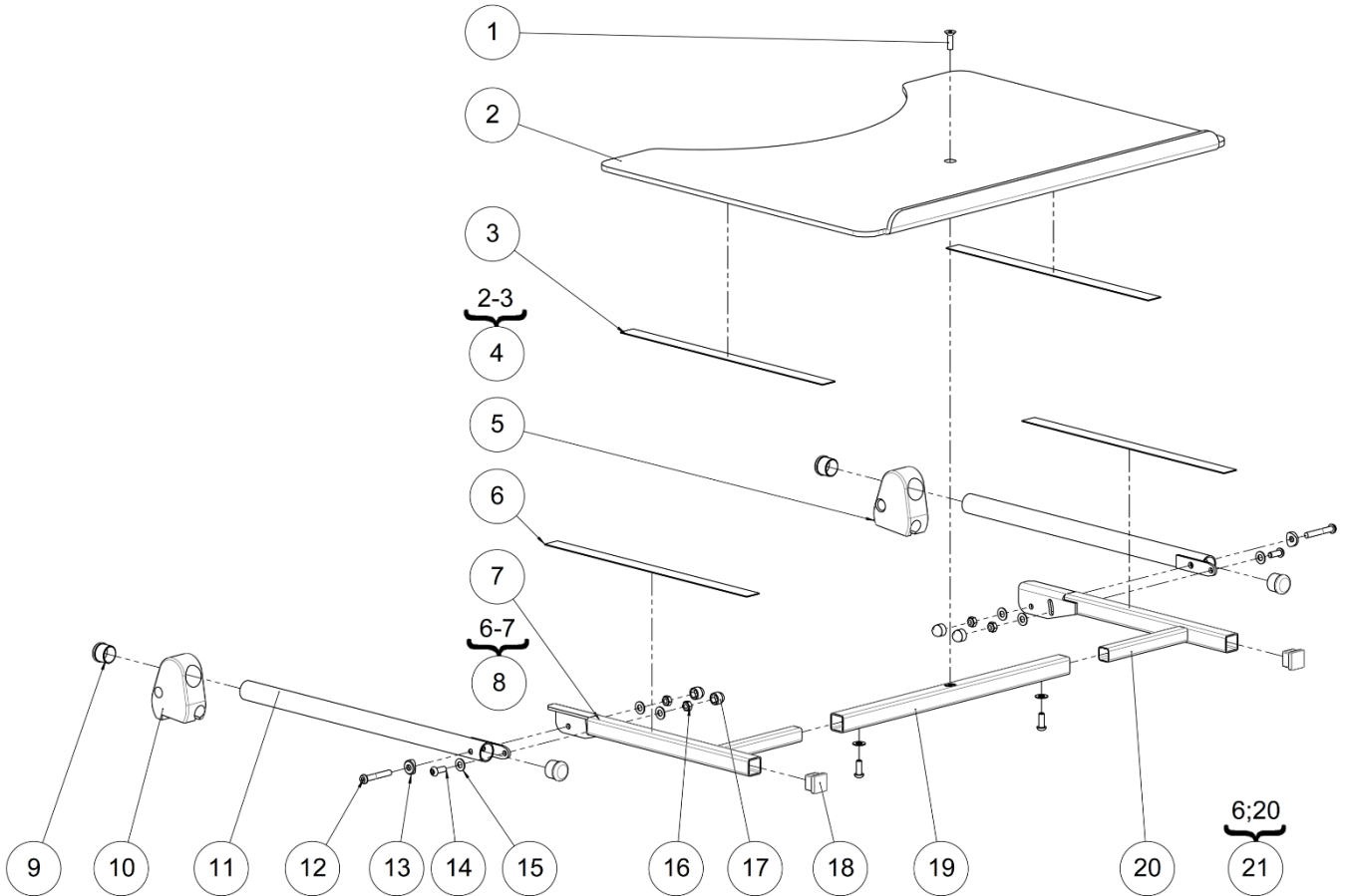


Headrest assembly

Pos	Qty	Stock Code	Description En	Description Fr	Remark
1	2	VIS-CHC8X50ZN	Hexagon socket head cap screw M8x50	Vis tête cylindrique M8x50 six pans creux	
2	2	L9037XXXAI	Adjustment rod	Barre réglage appui-tête	
3	2	RON-LL8ZN	Fender washer Ø8	Rondelle plate LL Ø8	
4	2	ECR-H8ZN	Hexagon nut M8	Ecrou M8	
5	2		Casing Ø20	Douille expansive Ø20	NOT FOR SALE L9038XXXFO
6	2	322865	Kit casing	Kit douille expansive	For one side
7	1	L9039XXXPN	Headrest crossbar	Traverse appui-tête universelle	
8	1	P1823234	Head support bracket	Fixation appui-tête	
9	1	P1822868	Headrest cushion	Coussin appui-tête	
10	1	P1823235	Head support bracket backrest	Fixation appui-tête dossier	
11	1	322866	Kit headrest	Kit appui-tête	
12	2	VIS-HC8X10ZN	Hexagon socket set screw M8x10	Vis sans tête M8x10 six pans creux	Without harness
13	2	C0214XXXFO	Nut cap M8	Cache écrou M8	With harness
14	2	ECR-HFR8ZN	Prevailing torque type hexagon nut M8	Ecrou frein M8	With harness
15	2	VIS-HC8X30ZN	Hexagon socket set screw M8x30	Vis sans tête M8x30 six pans creux	With harness
16	4	RON-M8ZN	Plain washer Ø8	Rondelle plate M Ø8	With harness
17	1	L9026XXXFO	Kit harness fixation (pair)	Kit fixation harnais (paire)	
18	1	L9029XXXFO	Kit headrest support and harness fixation	Kit support appui-tête et fixation harnais	
19	1	L9028XXXFO	Kit headrest	Kit appui-tête	

Backrest assembly

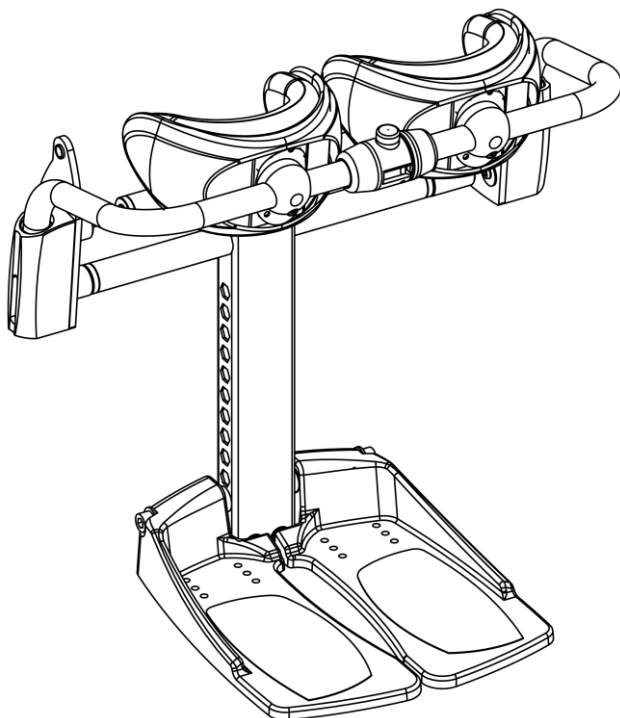
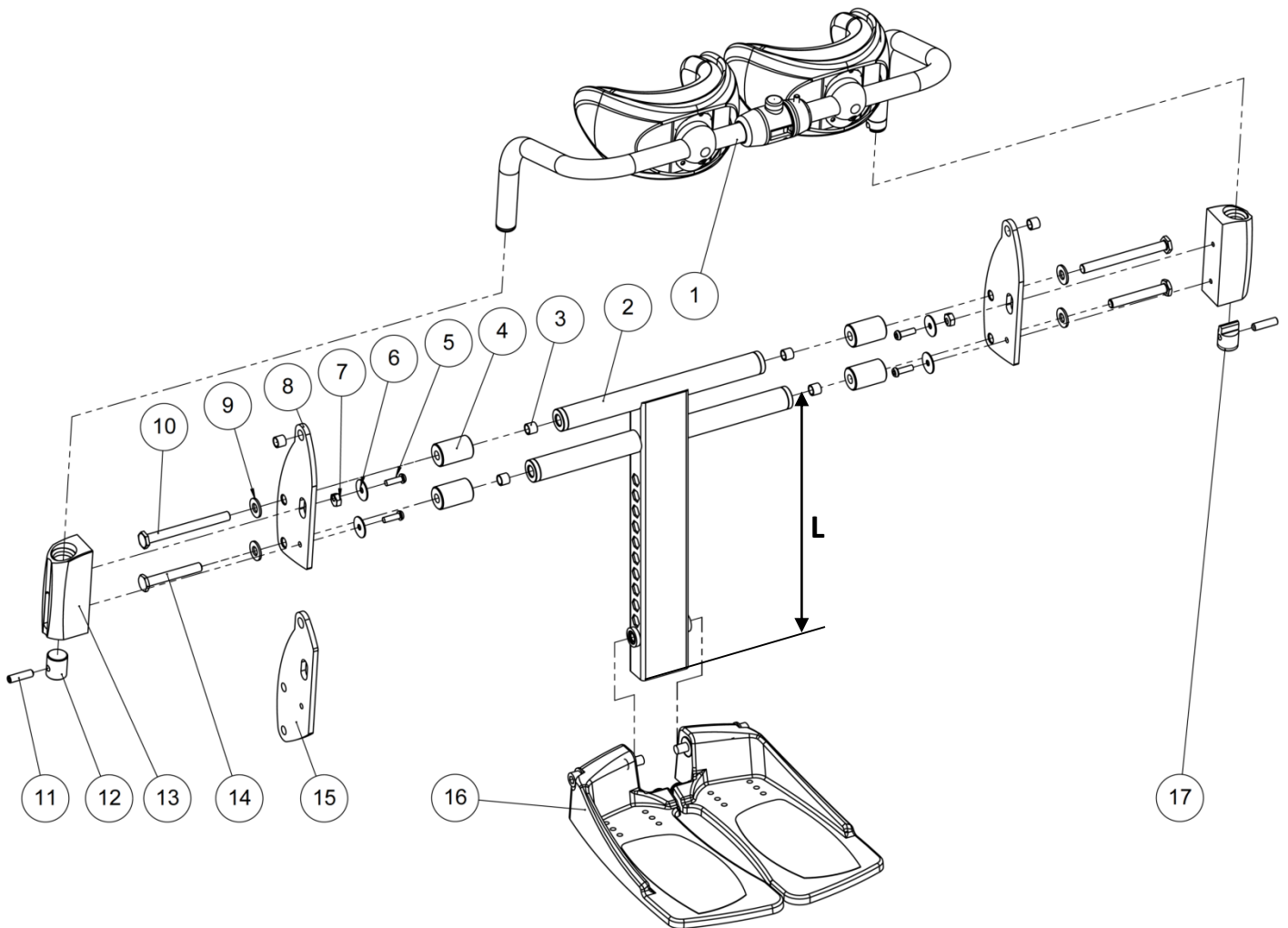
Tray table assembly



Tray table assembly

Pos	Qty	Stock Code	Description En	Description Fr	Remark
1	1	VIS-FHC6X20ZN	Hexagon socket countersunk head screw M6x20	Vis tête fraisée M6x20 six pans creux	
2	1		Tray table	Tablette	NOT FOR SALE L9001XXXFO
3	0.032		Black Velcro strap sticker 2 cm-0.7" hook 20m long	Velcro adhésif crochet noir 2 cm -20m de long	NOT FOR SALE L6050CROFO
4	1	322945	Kit tray table + Velcro	Kit tablette + Velcro	Specify wheelchair width
5	1	C4062LPAAI	Left armrest knob for tray table	Noix accoudoir gauche pour tablette	
6	0.032		Black Velcro strap sticker 2 cm-0.7" velvet 20 m long	Velcro adhésif velours noir 2 cm -20 m de long	NOT FOR SALE L6050VELFO
7	1		Right support tube tray	Tube appui tablette droit	NOT FOR SALE L9002RXXCR
8	1	322943	Kit support tube + Velcro right	Kit tube support + Velcro droit	
9	4	L0005221FO	Black cap for tube Ø22.1 mm	Bouchon plastique noir pour tube Ø22.1 mm	
10	1	C4062RPAAI	Right armrest knob for tray table	Noix accoudoir droit pour tablette	
11	2	L9003XXXCR	Depth adjustment tube	Tube de réglage	
12	2	VIS-CBHC6X40ZN	Hexagon socket button head screw M6x40	Vis tête bombée M6x40 six pans creux	
13	2	L0002221AI	Concave washer for tube Ø22.1 mm	Coupelle pour tube Ø22.1 mm	
14	4	VIS-CBHC6X16ZN	Hexagon socket button head screw M6x16	Vis tête bombée M6x16 six pans creux	
15	8	RON-M6ZN	Plain washer Ø6	Rondelle plate M Ø6	
16	4	ECR-HFR6ZN	Prevailing torque type hexagon nut M6	Ecrou frein M6	
17	4	C0215XXXFO	Nut cap M6	Cache écrou M6	
18	2	L0002020FO	Black cap for tube 20x20 mm	Bouchon plastique noir 20x20 mm	
19	1	L9004XXPN	Tray support joint tube	Traverse sous tablette	
20	1		Left support tube tray	Tube appui tablette gauche	NOT FOR SALE L9002LXXCR
21	1	322944	Kit support tube + Velcro left	Kit tube support + Velcro gauche	
22	1	C9000XXXFO	Kit complete tray table set	Kit complet tablette	Specify wheelchair width

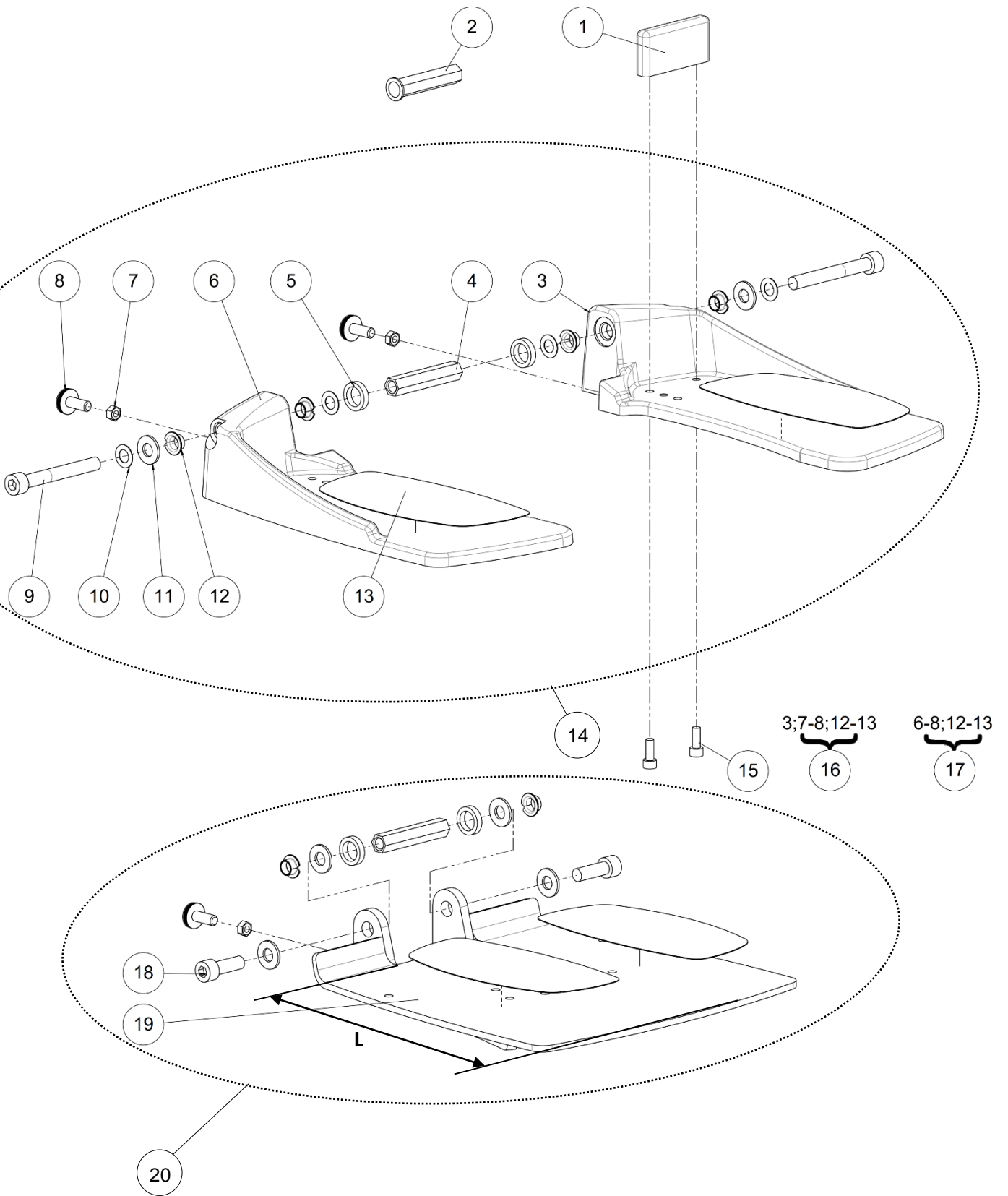
Legrest frame assembly



Legrest frame assembly

Legrest frame assembly

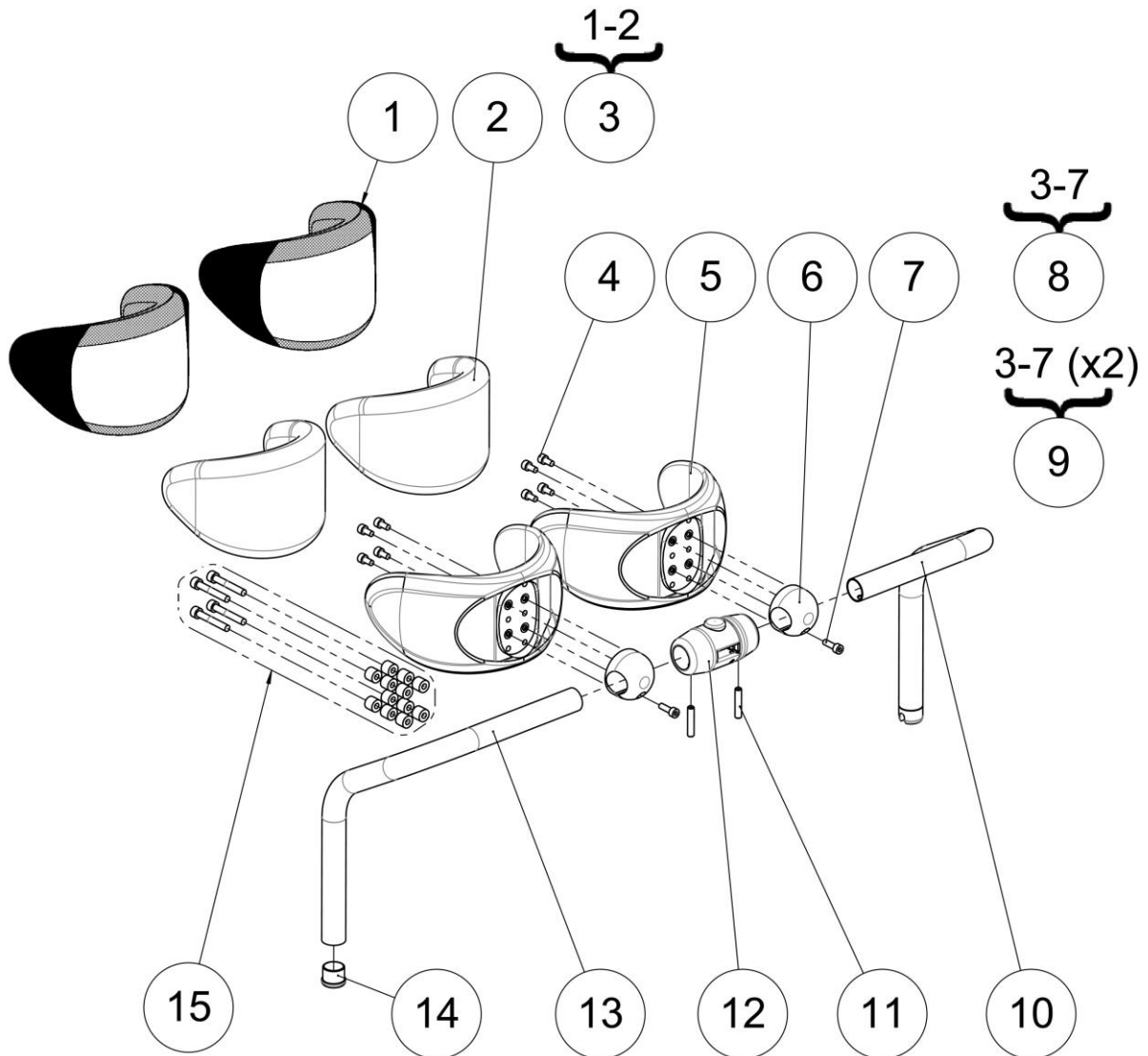
Pos	Qty	Stock Code	Description En	Description Fr	Remark
1	1		Knee support assembly	Ensemble genouillère	See exploded view p.50
2	1	C3101XXPN	Footrest support	Poutre jambier	L ≈ 300 mm
		C3101XCOPN	Footrest support short	Poutre jambier courte	L ≈ 230 mm
3	6	L0008100FO	Cylindrical bearing Ø10xØ12x10 mm	Coussinet cylindrique Ø10xØ12x10 mm	
4	4	C2005X40ZN	Seat spacer size 40 cm	Entretoise d'assise taille 40 cm	No spacer for size 36 cm
		C2005X44ZN	Seat spacer size 44 cm	Entretoise d'assise taille 44 cm	
		C2005X48ZN	Seat spacer size 48 cm	Entretoise d'assise taille 48 cm	
5	4	VIS-CBHC6X20ZN	Hexagon socket button head screw M6x20	Vis tête bombée M6x20 six pans creux	
6	4	RON-LL6ZN	Fender washer Ø6	Rondelle plate LL Ø6	
7	2	L7007XXXFO	Flat excentric hexagonal nut	Ecrou excentrique hexagonal plat	
8	2	C3103XXXAI	Footrest side plate	Joue jambier	
9	4	RON-M10ZN	Plain washer Ø10	Rondelle plate M Ø10	
10	2	C0201XXXZN	Axle Ø10x90x18 mm	Axe Ø10x90x18 mm	For size 36 cm
		C0202XXXZN	Axle Ø10x106x17 mm	Axe Ø10x106x17 mm	For size 40 cm
		C0205XXXZN	Axle Ø10x126x17 mm	Axe Ø10x126x17 mm	For size 44 cm
		C0206XXXZN	Axle Ø10x146x17 mm	Axe Ø10x146x17 mm	For size 48 cm
11	2	VIS-HC8X30ZN	Hexagon socket set screw M8x30	Vis sans tête M8x30 six pans creux	
12	1	C3007XXXZN	Knee support stopper	Butée de genouillère	
13	2	C3140XXXAI	Kneepad sleeve	Fourreau genouillère	
14	2	C0204XXXZN	Axle Ø10x51.5x17 mm	Axe Ø10x51.5x17 mm	For size 36 cm
		C0203XXXZN	Axle Ø10x74x18.5 mm	Axe Ø10x74x18.5 mm	For size 40 cm
		C0201XXXZN	Axle Ø10x90x18 mm	Axe Ø10x90x18 mm	For size 44 cm
		C0202XXXZN	Axle Ø10x106x17 mm	Axe Ø10x106x17 mm	For size 48 cm
15	2	C3103HXXAI	High footrest side plate	Joue jambier haute	Instead of pos.8
16	1		Footplate assembly	Ensemble palette	See exploded view p.48
17	1	C3006XXXZN	Knee support locking	Blocage de genouillère	



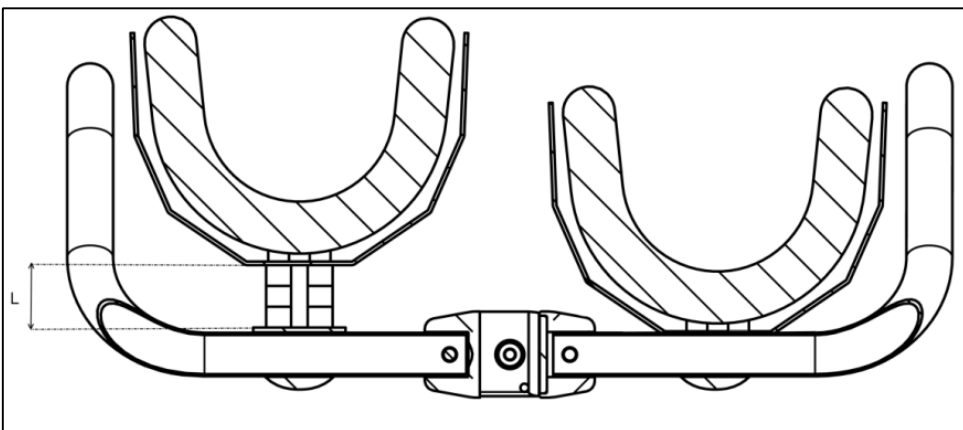
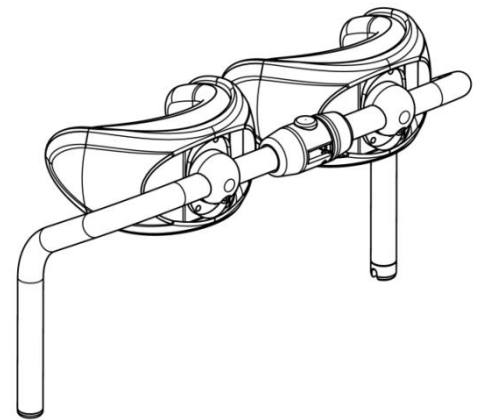
Legrest frame assembly

Footplate assembly

Footplate assembly					
Pos	Qty	Stock Code	Description En	Description Fr	Remark
1	0-2	C3110XXXFO	Fix heel	Cale talon	NC with monobloc footplates
2	0-2	C3109XXXZN	Height shifted footplate	Axe palette hauteur décalée	Use only with a shifted footplate
3	1		Footplate flip up left	Palette relevable gauche	NOT FOR SALE C3105LXXPN
4	0-1	C3108XXXZN	Axle mono-footrest	Axe de palette monobloc	
5	2	C3107XXXZN	Footrest spacer	Entretoise de palette	
6	1		Footplate flip up right	Palette relevable droite	NOT FOR SALE C3105RXXPN
7	2	ECR-HM8ZN	Hexagon thin nut M8	Ecrou bas M8	
8	2	C0006XXXFO	Knurled base screw M8x20	Vis embase moletée M8x20	
9	2	VIS-CHC10X80ZN	Hexagon socket head cap screw M10x80	Vis tête cylindrique M10x80 six pans creux	
10	4	RON-Z10FINEPLAS	Nylon washer $\varnothing 10.2 \times \varnothing 18 \times 0.5 \text{mm}$	Rondelle plate nylon $\varnothing 10.2 \times \varnothing 18 \times 0.5 \text{mm}$	
11	2	RON-M10ZN	Plain washer $\varnothing 10$	Rondelle plate M $\varnothing 10$	
12	4	L0007100FO	Collar bearing $\varnothing 10 \times \varnothing 12 \times 7 \text{mm}$	Coussinet à collerette $\varnothing 10 \times \varnothing 12 \times 7 \text{mm}$	
13	2	F0030XXXFO	Anti skid sticker	Anti dérapant prédécoupé	
14	1	C3120XXXFO	Kit dual footrest	Kit repose pied bi-palette	With the same footplates height
15	0-4	VIS-CHC6X16ZN	Hexagon socket head cap screw M6x16	Vis tête cylindrique M6x16 six pans creux	
16	1	325485	Kit footplate left	Kit repose pied gauche	
17	1	325484	Kit footplate right	Kit repose pied droit	
18	2	VIS-CHC10X30ZN	Hexagon socket head cap screw M10x30	Vis tête cylindrique M10x30 six pans creux	
19	1	C3105XSHPN	Monobloc footplate flip up short	Palette monobloc relevable courte	L \approx 195 mm
		C3105XXXPN	Monobloc footplate flip up standard	Palette monobloc relevable standard	L \approx 260 mm
20	1	C3121XXXFO	Kit monobloc footplate flip up standard	Kit palette monobloc relevable standard	L \approx 260 mm
		C3123XXXFO	Kit monobloc footplate flip up short	Kit palette monobloc relevable court	L \approx 195 mm



- The kit 322896 contains all screws and spacers for every spacing configuration.

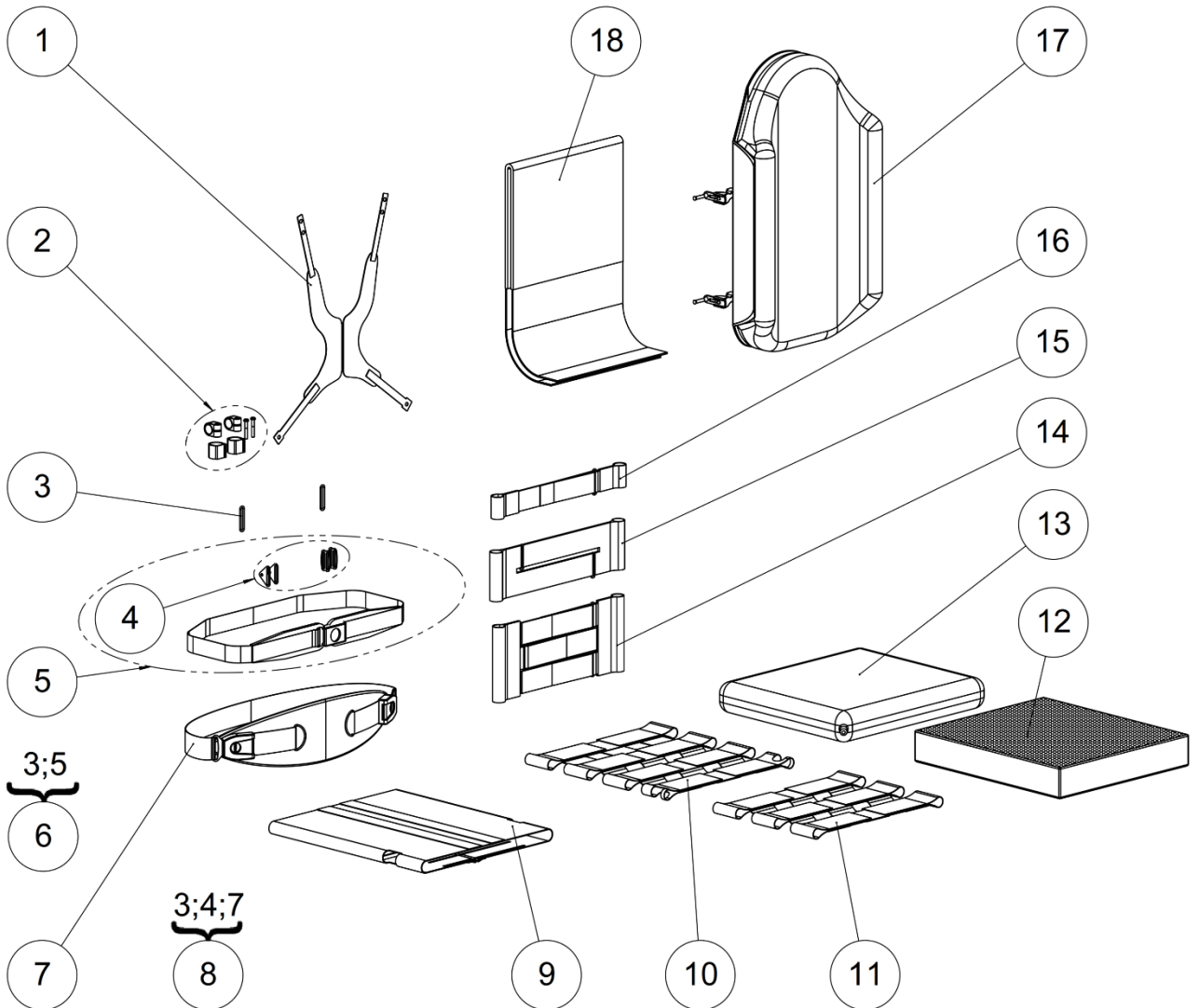


Knee support assembly

Pos	Qty	Stock Code	Description En	Description Fr	Remark
1	2	L3016XXXFO	Cover for confort kneepad	House de genouillère	
2	2	L3017XXXFO	Foam for confort kneepad	Coussinet confort genouillère	
3	1	L3013ITTFO	Kit foam + cover for confort kneepad (unit)	Kit house + coussinet confort (l'unité)	
4	8	VIS-CHC5X10ZN	Hexagon socket head cap screw M5x10	Vis tête cylindrique M5x10 six pans creux	
5	2	L3111XXXFO	Polyurethane knee-support	Genouillère polyurethane surmoulée	
6	2	L3112FXXAI	Knee-support nut	Noix de genouillère fendue	
7	2	VIS-CHC5X16ZN	Hexagon socket head cap screw M5x16	Vis tête cylindrique M5x16 six pans creux	
8	1	L3110XXXFO	Kit confort kneepad (unit)	Kit genouillère confort (l'unité)	
9	1	L3100XXXFO	Kit confort kneepad (pair)	Kit genouillère confort (paire)	
10	1	C3045L36PN	Left kneerest tube size 36 cm	Tube genouillère gauche taille 36 cm	
		C3045L40PN	Left kneerest tube size 40 cm	Tube genouillère gauche taille 40 cm	
		C3045L44PN	Left kneerest tube size 44 cm	Tube genouillère gauche taille 44 cm	
		C3045L46PN	Left kneerest tube size 48 cm	Tube genouillère gauche taille 48 cm	
11	2	VIS-HC6X30ZN	Hexagon socket set screw M6x30	Vis sans tête M6x30 six pans creux	
12	1	L3060XXXFO	Locking knee support set	Verrou genouillère	
13	1	C3045R36PN	Right kneerest tube size 36 cm	Tube genouillère droit taille 36 cm	
		C3045R40PN	Right kneerest tube size 40 cm	Tube genouillère droit taille 40 cm	
		C3045R44PN	Right kneerest tube size 44 cm	Tube genouillère droit taille 44 cm	
		C3045R48PN	Right kneerest tube size 48 cm	Tube genouillère droit taille 48 cm	
14	1	L0005221FO	Black cap for tube Ø22.1 mm	Bouchon plastique noir pour tube Ø22.1 mm	
15	1	322896	Kit spacers kneerest	Kit entretoises genouillère	See table below to determine the number of spacer(s) and the length of screws


Spacing L (mm) (see picture p.50)/ Espacement L (mm) (voir schéma p.50)	0	10	20	30
Quantity of spacer(s) 614472 (for 1 kneepad) / Nombre d'entretoise(s) (pour 1 genouillère)	0	4	8	12
Quantity of screws (for 1 kneepad) / Nombre de vis (pour 1 genouillère)	4	4	4	4
References of screws / Références des vis	VIS-CHC5X10ZN	VIS-CHC5X20ZN	600686 (CHC M5x30)	VIS-CHC5X40ZN

Textiles

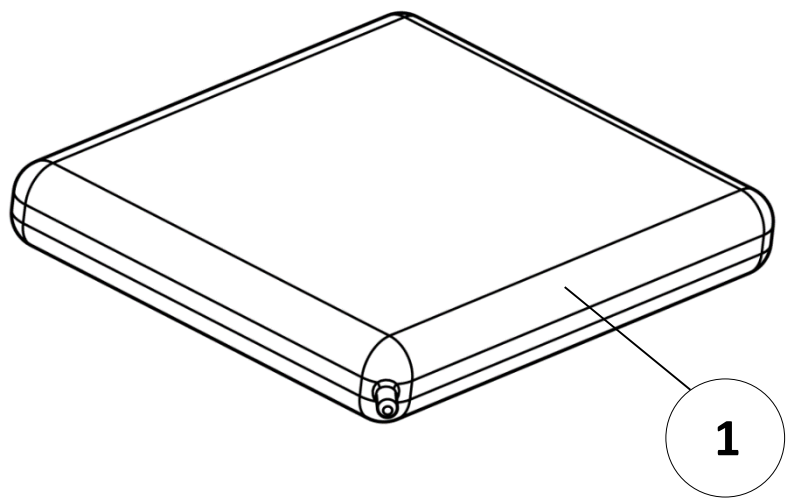


Textiles

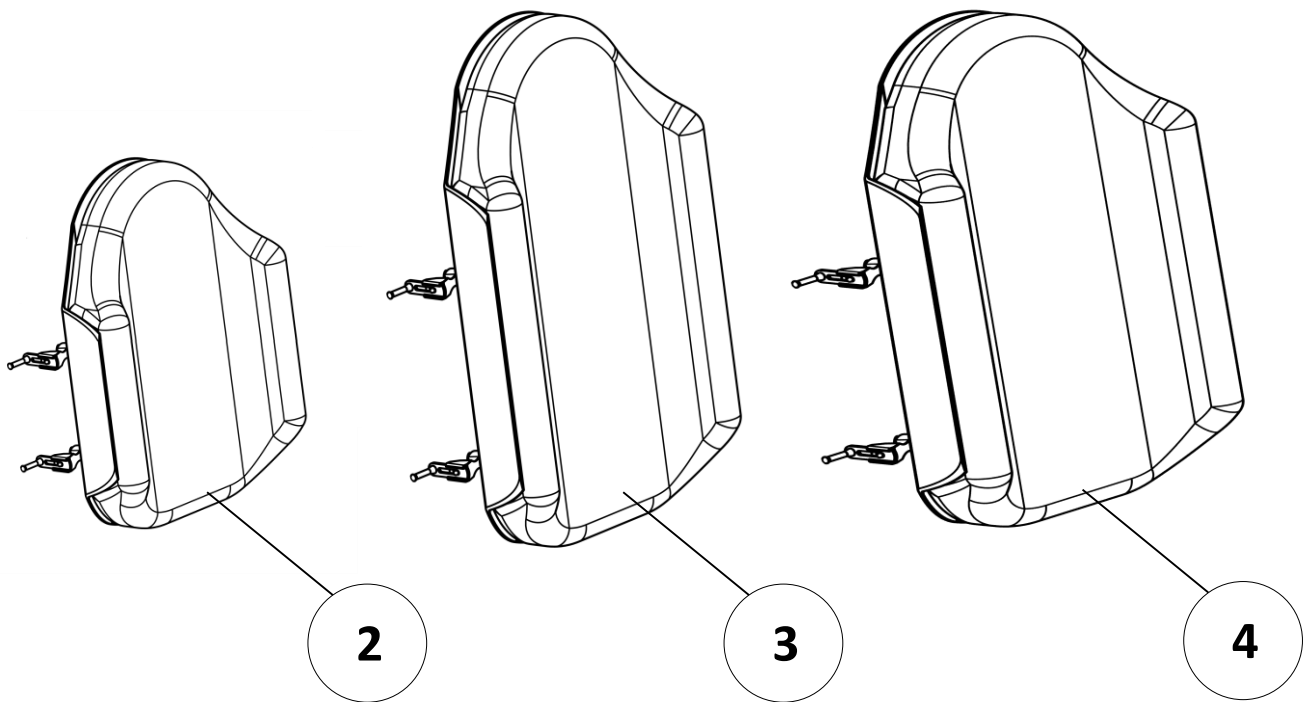
Textiles					
Pos	Qty	Stock Code	Description En	Description Fr	Remark
1	1	N-POTRO20	Trunk harness stayflex S large-men	Harnais bustier stayflex S large-homme	To be install on belt fixing kit L9029XXXFO (p. 42)
		N-POTRO21	Trunk harness stayflex M large-men	Harnais bustier stayflex M large-homme	
		N-POTRO22	Trunk harness stayflex L large-men	Harnais bustier stayflex L large-homme	
		N-POTRO23	Trunk harness stayflex XL large-men	Harnais bustier stayflex XL large-homme	
		N-POTRO31	Trunk harness stayflex M narrow-women	Harnais bustier stayflex M étroit-femme	
		N-POTRO32	Trunk harness stayflex L narrow-women	Harnais bustier stayflex L étroit-femme	
		N-POTRO33	Trunk harness stayflex XL narrow-women	Harnais bustier stayflex XL étroit-femme	
		N-POTRO50	Trunk harness stayflex XS large-kid	Harnais bustier stayflex XS large-enfant	
		N-POTRO51	Trunk harness stayflex S large-kid	Harnais bustier stayflex S large-enfant	
		N-POTRO52	Trunk harness stayflex M large-kid	Harnais bustier stayflex L large-enfant	
2	1	N-PODOS01	Framesaver clamp	Adaptateur tubulaire dossier	
3	2	L6008XXXFO	Metal ring	Boucle métallique	
4	1	N-POBAS50	Fixation kit	Kit de fixation	
5	1		Bodypoint chest strap S/M	Ceinture ventrale S&M	NOT FOR SALE N-POBAS30
			Bodypoint chest strap L	Ceinture ventrale L	NOT FOR SALE N-POBAS31
6	1	322914	Kit Bodypoint chest strap S/M	Kit ceinture ventrale S&M	
		322915	Kit Bodypoint chest strap L	Kit ceinture ventrale L	
7	1		Bodypoint large abdominal strap	Sangle abdominale	NOT FOR SALE N-POBAS40
8	1	322916	Kit Bodypoint large abdominal strap	Kit sangle abdominale	
9	1	L6006X40FO	Adjustable tense seat size 36-40 cm	Assise en toile tendue taille 36-40 cm	
		L6006X44FO	Adjustable tense seat size 44-48 cm	Assise en toile tendue taille 44-48 cm	
10	1	L6001XX4FO	Four-strap seat for size 44-48 cm	Assise 4 sangles taille 44-48 cm	
11	1	L6001XX3FO	Three-strap seat for size 36-40 cm	Assise 3 sangles taille 36-40 cm	
12	1	321241	Seat cushion visco size 36x35x7 cm	Coussin visco taille 36x35x7 cm	
		L6110X36FO	Seat cushion visco size 36x40x7 cm	Coussin visco taille 36x40x7 cm	
		321243	Seat cushion visco size 36x47x7 cm	Coussin visco taille 36x47x7 cm	
		321244	Seat cushion visco size 36x53x7 cm	Coussin visco taille 36x53x7 cm	
		L6110X40FO	Seat cushion visco size 40x45x7 cm	Coussin visco taille 40x45x7 cm	
		L6110X4048	Seat cushion visco size 40x48x7 cm	Coussin visco taille 40x48x7 cm	
		321248	Seat cushion visco size 40x53x7 cm	Coussin visco taille 40x53x7 cm	
		L6110X44FO	Seat cushion visco size 44x45x7 cm	Coussin visco taille 44x45x7 cm	
		L6110X4448	Seat cushion visco size 44x48x7 cm	Coussin visco taille 44x48x7 cm	
		321251	Seat cushion visco size 44x53x7 cm	Coussin visco taille 44x53x7 cm	
13	1	L6110X48FO	Seat cushion visco size 48x48x7 cm	Coussin visco taille 48x48x7 cm	
		321253	Seat cushion visco size 48x53x7 cm	Coussin visco taille 48x53x7 cm	
13	1		Varilite cushion	Coussin Varilite	See all sizes p.54
14	1	L6002XX3FO	Universal three-strap backrest stay	Sous-dossier 3 sangles taille unique	
15	1	L6002XX2FO	Universal two-strap backrest stay	Sous-dossier 2 sangles taille unique	
16	1	L6002XX1FO	Universal one-strap backrest stay	Sous-dossier 1 sangle taille unique	
17	1		Varilite backrest	Dossier Varilite	See all sizes p.54
18	1	L6005X36FO	Standard backrest cover size 36-38 cm	Couvre dossier standard taille 36-38 cm	
		L6005X40FO	Standard backrest cover size 40-42 cm	Couvre dossier standard taille 40-42 cm	
		L6005X44FO	Standard backrest cover size 44-48 cm	Couvre dossier standard taille 44-48 cm	
		L6005H40FO	Extended backrest cover size 36-40 cm	Couvre dossier rehaussé taille 36-40 cm	
		L6005H44FO	Extended backrest cover size 44 cm	Couvre dossier rehaussé taille 44 cm	
L6005H48FO	Extended backrest cover size 48 cm	Couvre dossier rehaussé taille 48 cm			

LSC3	SPARE PART CATALOG		
Item N° 323753	Revision A	Date 28/07/2015	Page 54 of 71
Textiles			Varilite accessories

Varilite cushion



Varilite backrest



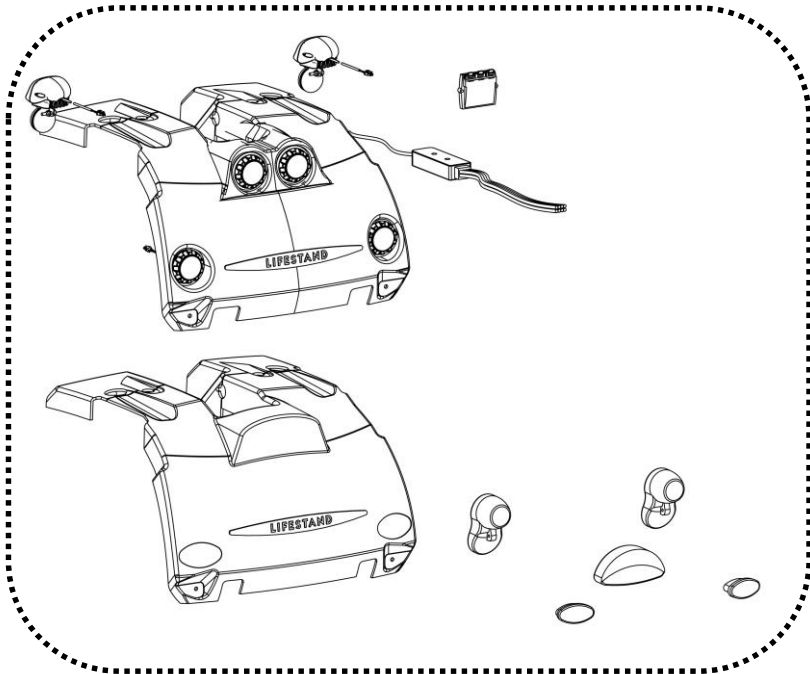
Textiles

Varilite accessories

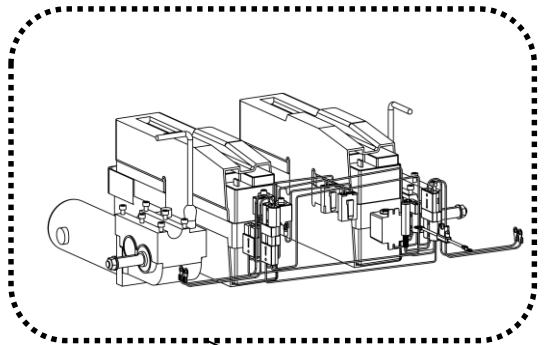
Varilite accessories

Pos	Qty	Stock Code	Description En	Description Fr	Remark		
1		N-COZOI02	Cushion Varilite ZOID 35x40 cm	Coussin Varilite ZOID 35x40 cm			
		N-COZOI03	Cushion Varilite ZOID 40x40 cm	Coussin Varilite ZOID 40x40 cm			
		N-COZOI04	Cushion Varilite ZOID 40x45 cm	Coussin Varilite ZOID 40x45 cm			
		N-COZOI05	Cushion Varilite ZOID 45x45 cm	Coussin Varilite ZOID 45x45 cm			
		N-COZOI06	Cushion Varilite ZOID 45x40 cm	Coussin Varilite ZOID 45x40 cm			
		N-COZOI09	Cushion Varilite ZOID 45x50 cm	Coussin Varilite ZOID 45x50 cm			
		N-COZOI07	Cushion Varilite ZOID 50x45 cm	Coussin Varilite ZOID 50x45 cm			
		N-COZOI08	Cushion Varilite ZOID 50x50 cm	Coussin Varilite ZOID 50x50 cm			
		N-COEVO03	Cushion Varilite EVOLUTION 35x40 cm	Coussin Varilite EVOLUTION 35x40 cm			
		N-COEVO035	Cushion Varilite EVOLUTION 35x45 cm	Coussin Varilite EVOLUTION 35x45 cm			
		N-COEVO04	Cushion Varilite EVOLUTION 40x40 cm	Coussin Varilite EVOLUTION 40x40 cm			
		N-COEVO05	Cushion Varilite EVOLUTION 40x45 cm	Coussin Varilite EVOLUTION 40x45 cm			
		N-COEVO06	Cushion Varilite EVOLUTION 40x50 cm	Coussin Varilite EVOLUTION 40x50 cm			
		N-COEVO065	Cushion Varilite EVOLUTION 43x43 cm	Coussin Varilite EVOLUTION 43x43 cm			
		N-COEVO07	Cushion Varilite EVOLUTION 45x40 cm	Coussin Varilite EVOLUTION 45x40 cm			
		N-COEVO08	Cushion Varilite EVOLUTION 45x45 cm	Coussin Varilite EVOLUTION 45x45 cm			
		N-COEVO09	Cushion Varilite EVOLUTION 45x50 cm	Coussin Varilite EVOLUTION 45x50 cm			
		N-COEVO10	Cushion Varilite EVOLUTION 50x40 cm	Coussin Varilite EVOLUTION 50x40 cm			
		N-COEVO11	Cushion Varilite EVOLUTION 50x45 cm	Coussin Varilite EVOLUTION 50x45 cm			
		N-COEVO12	Cushion Varilite EVOLUTION 50x50 cm	Coussin Varilite EVOLUTION 50x50 cm			
		2	1	N-COSTR04	Cushion Varilite STRATUS 35x40 cm	Coussin Varilite STRATUS 35x40 cm	
				N-COSTR05	Cushion Varilite STRATUS 40x40 cm	Coussin Varilite STRATUS 40x40 cm	
N-COSTR06	Cushion Varilite STRATUS 40x45 cm			Coussin Varilite STRATUS 40x45 cm			
N-COSTR07	Cushion Varilite STRATUS 43x43 cm			Coussin Varilite STRATUS 43x43 cm			
N-COSTR08	Cushion Varilite STRATUS 45x40 cm			Coussin Varilite STRATUS 45x40 cm			
N-COSTR09	Cushion Varilite STRATUS 45x45 cm			Coussin Varilite STRATUS 45x45 cm			
3	1	N-COSTR10	Cushion Varilite STRATUS 50x45 cm	Coussin Varilite STRATUS 50x45 cm			
		N-COSTR11	Cushion Varilite STRATUS 50x50 cm	Coussin Varilite STRATUS 50x50 cm			
		N-COEVO33	Backrest Varilite EVOLUTION 36 cm	Dossier Varilite EVOLUTION 36 cm			
		N-COEVO34	Backrest Varilite EVOLUTION 38 cm	Dossier Varilite EVOLUTION 38 cm			
		N-COEVO35	Backrest Varilite EVOLUTION 40 cm	Dossier Varilite EVOLUTION 40 cm			
		N-COEVO36	Backrest Varilite EVOLUTION 43 cm	Dossier Varilite EVOLUTION 43 cm			
4	1	N-COEVO37	Backrest Varilite EVOLUTION 45 cm	Dossier Varilite EVOLUTION 45 cm			
		N-COEVO38	Backrest Varilite EVOLUTION 50 cm	Dossier Varilite EVOLUTION 50 cm			
		N-COEVO13	Backrest Varilite EVOLUTION tall 36 cm	Dossier Varilite EVOLUTION haut 36 cm			
		N-COEVO14	Backrest Varilite EVOLUTION tall 38 cm	Dossier Varilite EVOLUTION haut 38 cm			
		N-COEVO15	Backrest Varilite EVOLUTION tall 40 cm	Dossier Varilite EVOLUTION haut 40 cm			
		N-COEVO16	Backrest Varilite EVOLUTION tall 43 cm	Dossier Varilite EVOLUTION haut 43 cm			
4	1	N-COEVO17	Backrest Varilite EVOLUTION tall 45 cm	Dossier Varilite EVOLUTION haut 45 cm			
		N-COEVO18	Backrest Varilite EVOLUTION tall 50 cm	Dossier Varilite EVOLUTION haut 50 cm			
		N-COEVO43	Backrest Varilite EVOLUTION deep 36 cm	Dossier Varilite EVOLUTION profond 36 cm			
		N-COEVO44	Backrest Varilite EVOLUTION deep 38 cm	Dossier Varilite EVOLUTION profond 38 cm			
		N-COEVO45	Backrest Varilite EVOLUTION deep 40 cm	Dossier Varilite EVOLUTION profond 40 cm			
		N-COEVO46	Backrest Varilite EVOLUTION deep 43 cm	Dossier Varilite EVOLUTION profond 43 cm			
4	1	N-COEVO47	Backrest Varilite EVOLUTION deep 45 cm	Dossier Varilite EVOLUTION profond 45 cm			
		N-COEVO48	Backrest Varilite EVOLUTION deep 50 cm	Dossier Varilite EVOLUTION profond 50 cm			

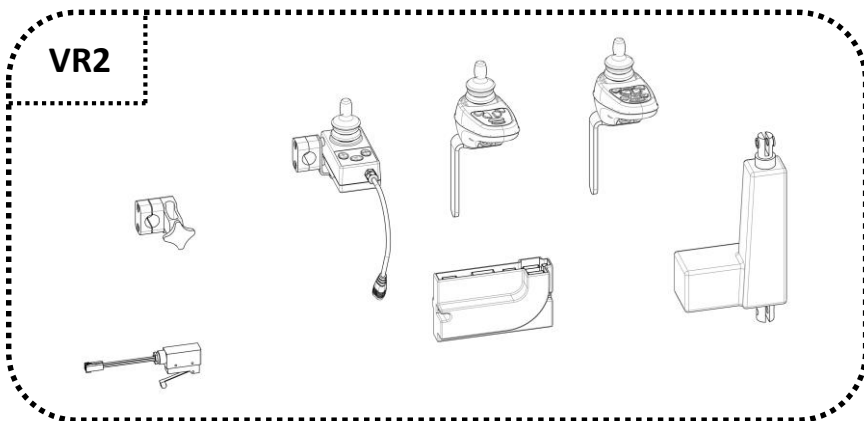
Electronic



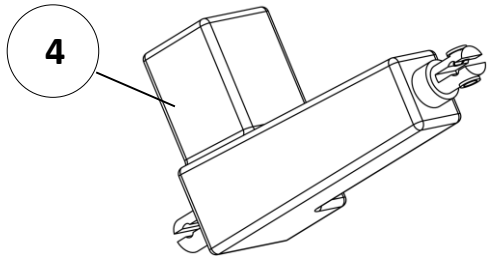
2



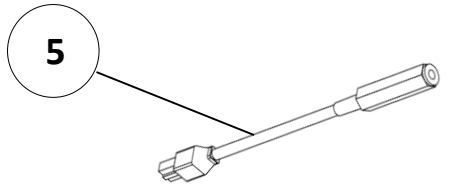
1



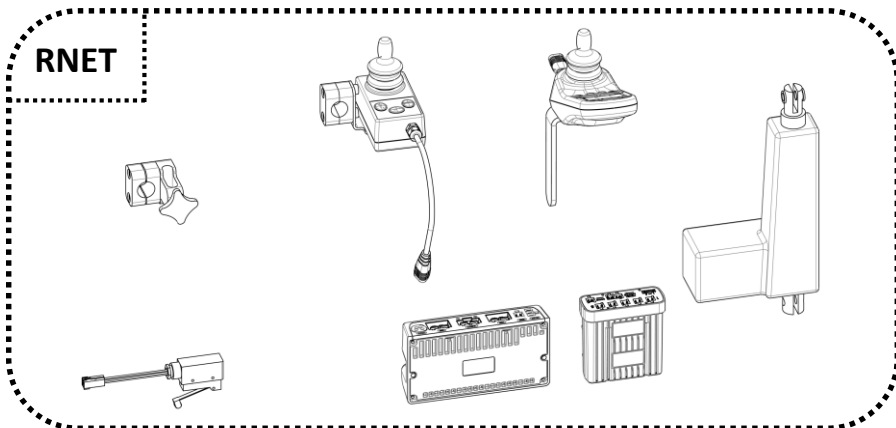
3



4

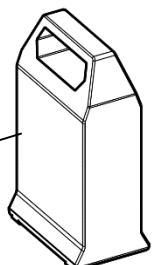


5



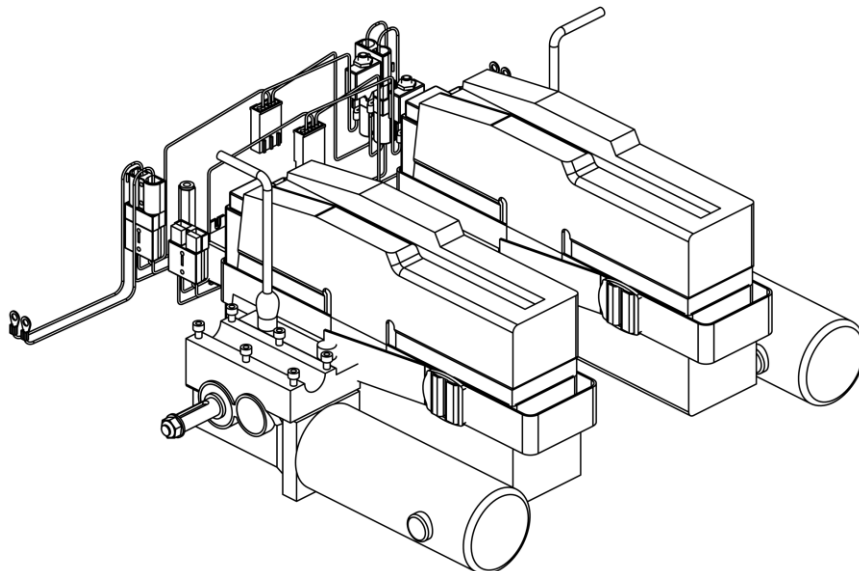
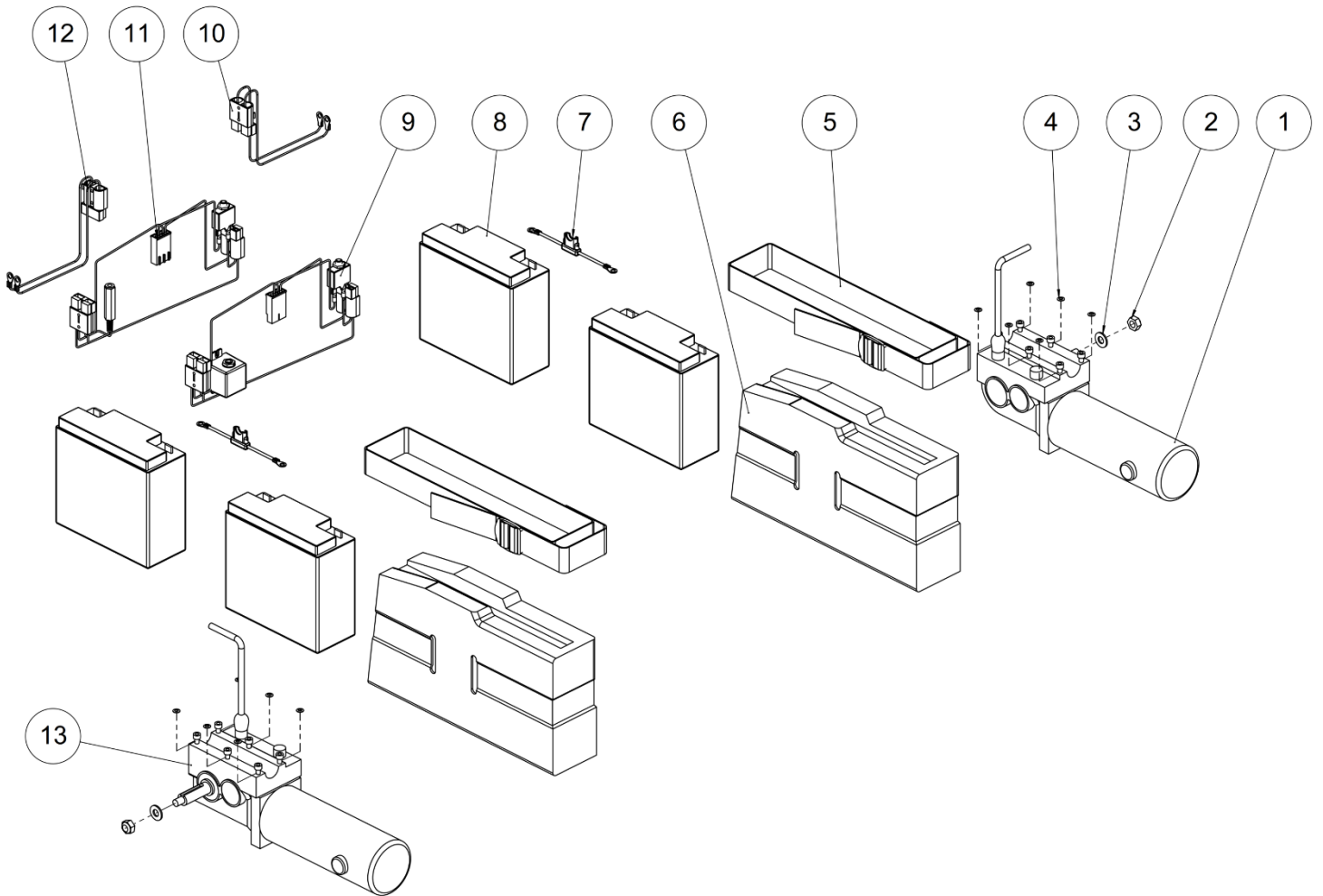
6

7




Electronic

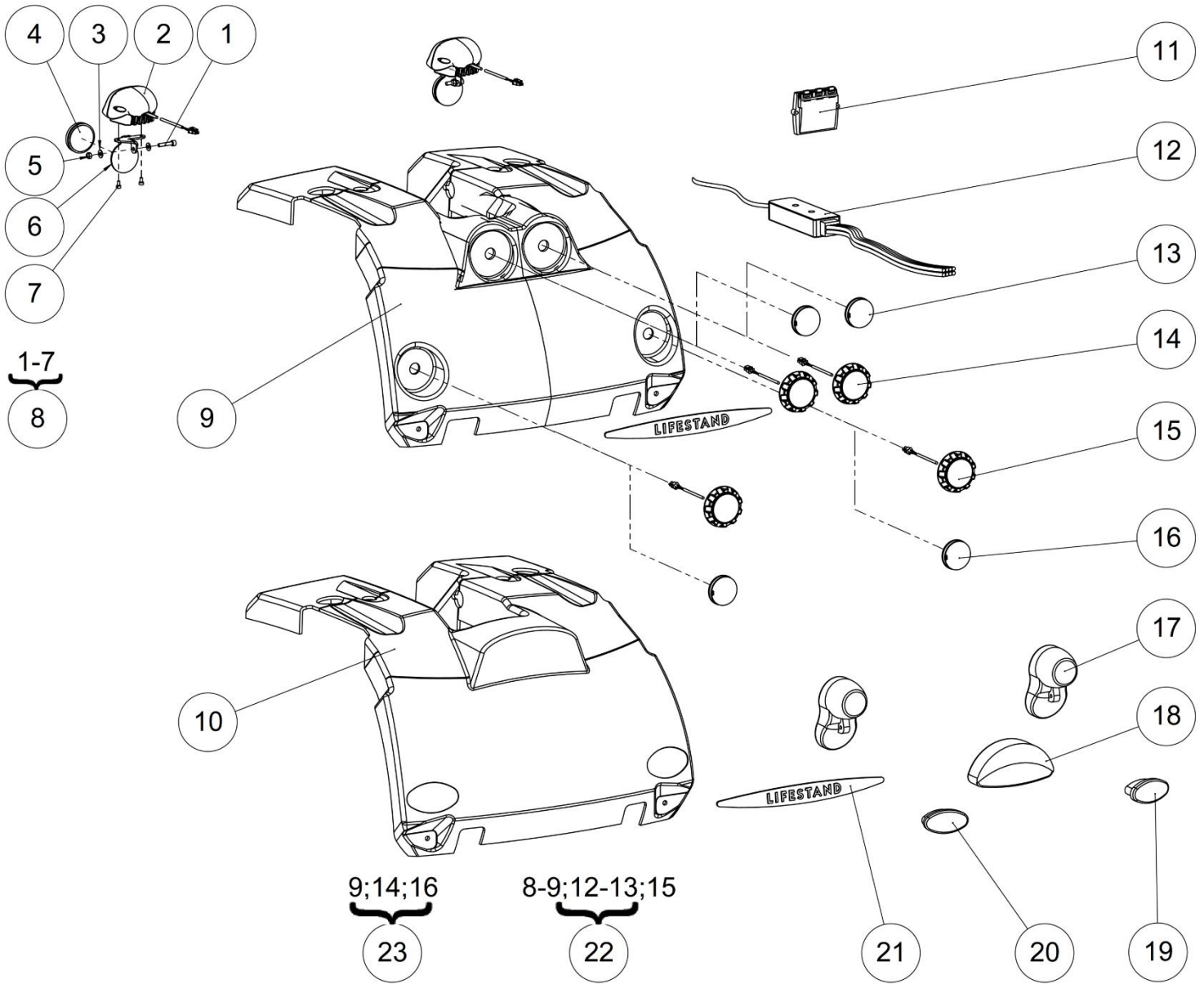
Electronic					
Pos	Qty	Stock Code	Description En	Description Fr	Remark
1			Motors and batteries assembly	Ensemble moteurs et batteries	See exploded view p.58
2			Lights and cover	Feux et capot	See exploded view p.60
3			Electronic PGDT VR2	Electronique PGDT VR2	See p.62
4	1	C5103MONTE	Stand up actuator	Vérin de verticalisation	
5	1	O5047XXXFO	Electrical harness stand up actuator to ISM	Cordon replies verin verticalisation	
6			Electronic PGDT RNET	Electronique PGDT RNET	See p.62
7	1	P1825130	Charger 24V/8A	Chargeur 24V/8A	Includes plugs and power cords for EU, UK and US.
-	-	C5239XXXFO	VR2 wire 0,5m	Cable 0,5m VR2	
-	-	O5035XXXFO	RNET bus cable 0,5m	Cable bus 0,5m RNET	
-	-	O5045XXXFO	RNET bus cable 2,5m	Cable bus 2,5m RNET	
-	-	O5049XXXFO	RNET hub 4 socket	Hub 4 socket RNET	



Motors and batteries assembly

Pos	Qty	Stock Code	Description En	Description Fr	Remark
1	1	C5110LXXFO	Left motor 180W with Dynamic connectors	Moteur 180W gauche Dynamic	
		C5310LXXFO	Left motor 180W with PGDT VR2 connectors	Moteur 180W gauche PGDT VR2	
		C5311LXXFO	Left motor 180W with PGDT RNET connectors	Moteur 180W gauche PGDT RNET	
2	2		Prevailing torque type hexagon nut M10	Ecrou frein M10	NOT FOR SALE
3	2	614480	Thick washer Ø10,5x30x4 mm	Rondelle épaisse Ø10,5x30x4 mm	
4	12	RON-RES6S	Spring washer Ø6 type S	Rondelle ressort Ø6 type S	
5	2	C1131XXXFO	Strap battery housing	Sangle boîtier batteries	
6	2	C1130XXXFO	Battery box	Bac à batteries	
7	2	C5231XXXFO	Fuse box for batteries with electrical harness	Porte fusible avec faisceau inter-batteries	Fuse included
8	4	614653	Battery	Batterie	
9	1	C5232MONTE	Power module wire VR2	Cordon power module VR2	Provided until end of stock, then order 322358.
10	2	C5235XXXFO	Electrical harness for left battery housing	Faisceau pour pack batteries gauche	
11	1	322354	Electrical harness power module RNET	Faisceau électrique power module RNET	
		322358	Electrical harness power module VR2	Faisceau électrique power module VR2	
12	2	C5234XXXFO	Electrical harness for right battery housing	Faisceau pour pack batteries droit	
13	1	C5110RXXFO	Right motor 180W with Dynamic connectors	Moteur 180W droit Dynamic	
		C5310RXXFO	Right motor 180W with PGDT VR2 connectors	Moteur 180W droit PGDT VR2	
		C5311RXXFO	Right motor 180W with PGDT RNET connectors	Moteur 180W droit PGDT RNET	

LSC3	SPARE PART CATALOG		
Item N° 323753	Revision A	Date 28/07/2015	Page 60 of 71
Electronic			Lights

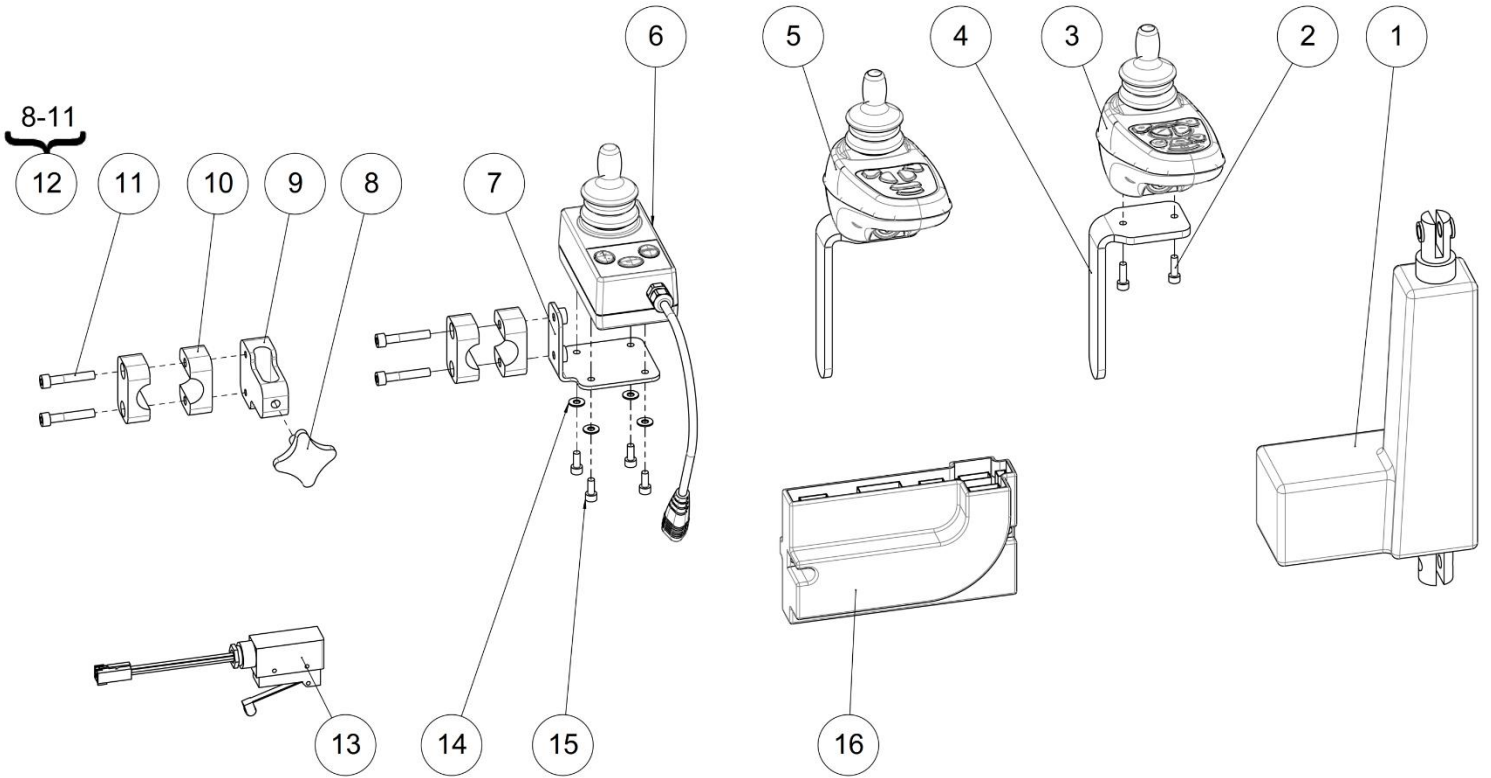


Lights and cover					
Pos	Qty	Stock Code	Description En	Description Fr	Remark
1	1	601184	Hexagon socket head cap screw M4x12	Vis tête cylindrique M4x12 six pans creux	
2	1	320028	Light front LED	Phare à LED	
3	2	RON-M4ZN	Plain washer Ø4	Rondelle plate M Ø4	
4	1	612368	Reflector white	Réfecteur blanc	
5	1	ECR-HFR4ZN	Prevailing torque type hexagon nut M4	Ecrou frein M4	
6	1	321258	Front light support	Support feu avant	
7	2	600693	Hexagon socket countersunk head screw M3x12	Vis tête fraisée M3x12 six pans creux	
8	2	321571	Kit front light LED	Kit feu avant LED	
9	1	324169	Rear cover LSC3	Capot arrière LSC3	If the wheelchair serial n° < 35079, order the complete kit 321574 for RNET electronic or kit 322694 for VR2 electronic.
10	1	C1160XXXFO	Rear cover without light	Capot arrière sans feux	Provided until end of stock, then order 324177.
11	1	C5241XXXFO	Lights module VR2	Lights module VR2	
12	1	311694 322216	Lifestand light cable RNET Lifestand light cable VR2	Lifestand light cable RNET Lifestand light cable VR2	
13	2	613829	Reflector red	Réfecteur rouge	
14	2	612335	Light rear LED	Clignotant arrière LED	
15	2	613830	Light rear LED turn signal	Feu arrière LED	
16	2	612368	Reflector white	Réfecteur blanc	
17	2	C9141AVAFO	Pilot steady front LED	Phare avant LED	Provided until end of stock then order the complete kit 321574 for RNET electronic or kit 322694 for VR2 electronic.
18	1	C9142ARRFO	Rear light	Feu arrière	Provided until end of stock then order the complete kit 321574 for RNET electronic or kit 322694 for VR2 electronic.
19	1	C9141RXXFO	Light turn signal right with electrical harness	Clignotant droit avec faisceau	Provided until end of stock then order the complete kit 321574 for RNET electronic or kit 322694 for VR2 electronic.
20	1	C9141LXXFO	Light turn signal left with electrical harness	Clignotant gauche avec faisceau	Provided until end of stock then order the complete kit 321574 for RNET electronic or kit 322694 for VR2 electronic.
21	1	MP127XXXFO	Central sticker	Auto-collant central noir	
22	1	321574 322694	Kit light and cover RNET LSC3 Kit light and cover VR2 LSC3	Kit feux et capot RNET LSC3 Kit feux et capot VR2 LSC3	Without C5241XXXFO (pos.11)
23	1	324177	Kit rear cover LSC3 without lights	Kit capot arrière LSC3 sans feux	

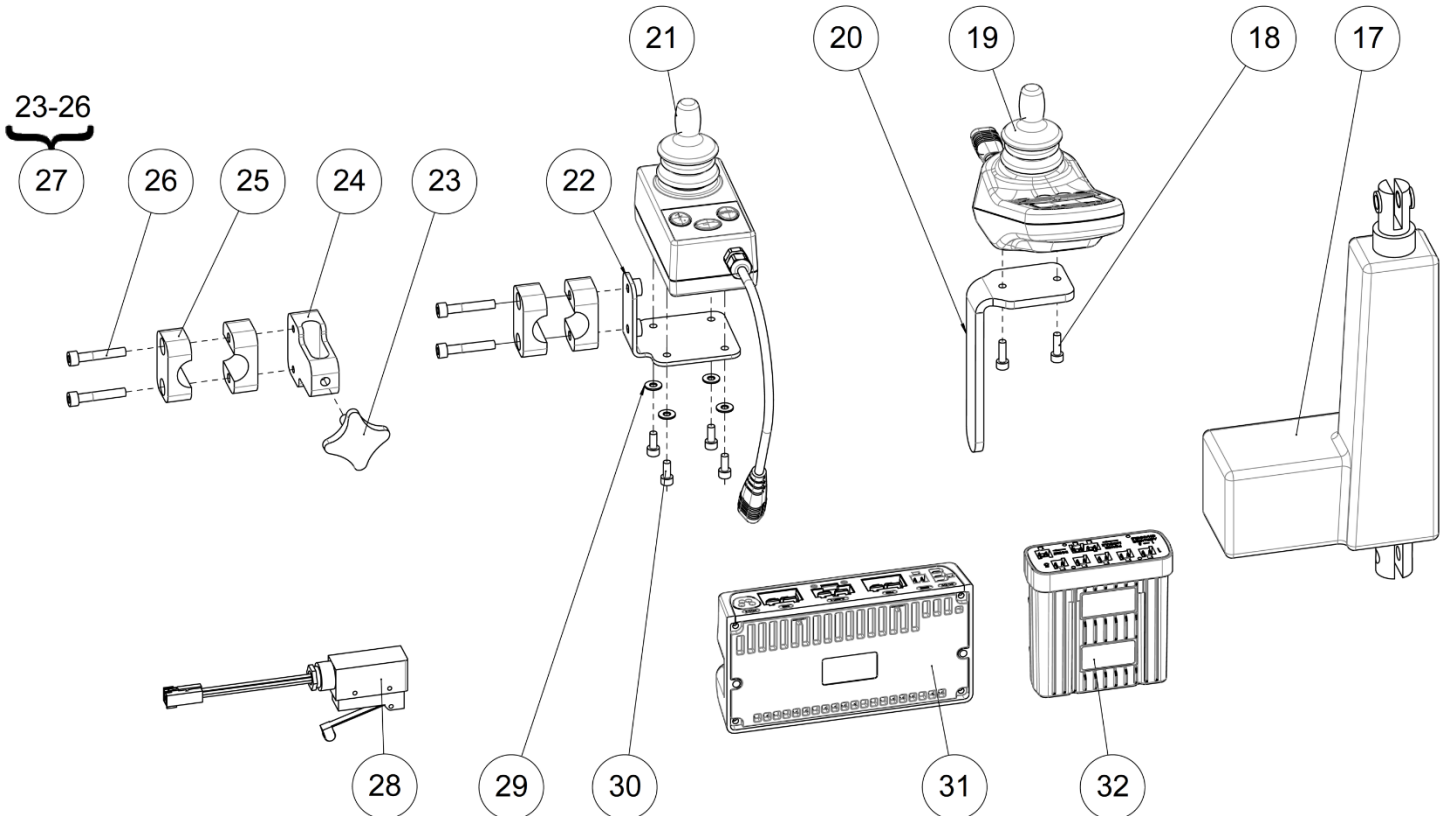
Electronic

Electronic PGDT VR2 + R-NET

ELECTRONIC FOR PGDT VR2



ELECTRONIC FOR PGDT R-NET



Electronic

Electronic PGDT VR2 + R-NET

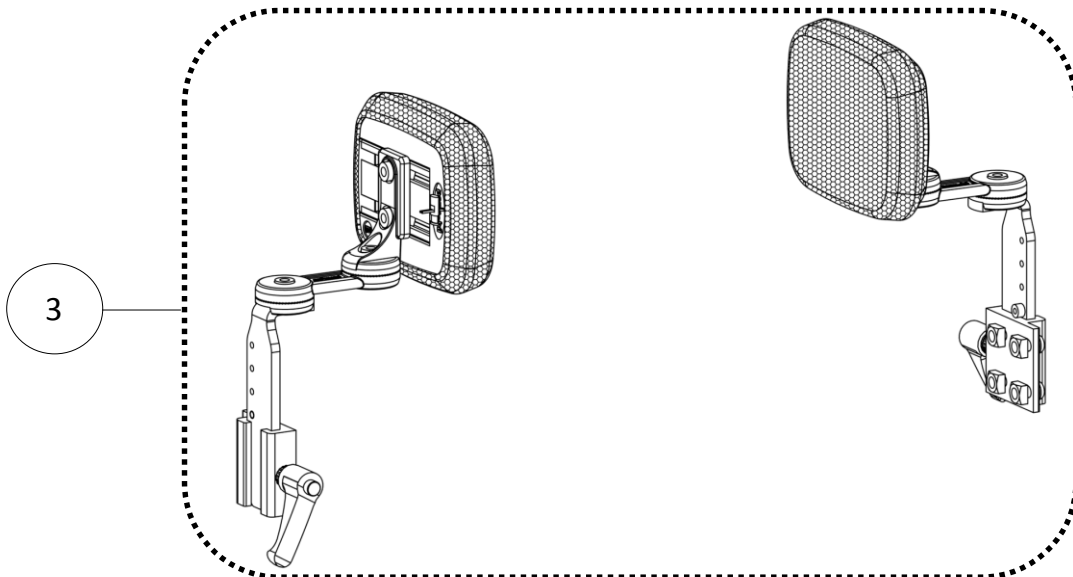
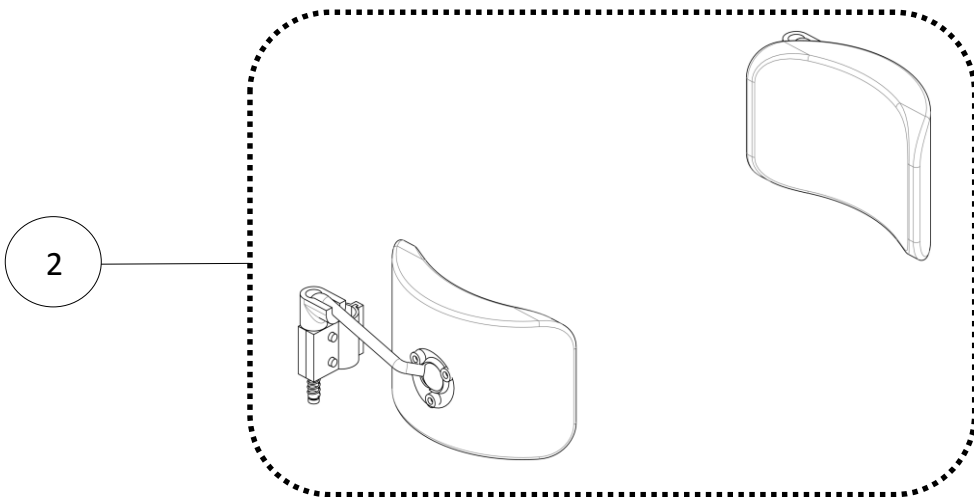
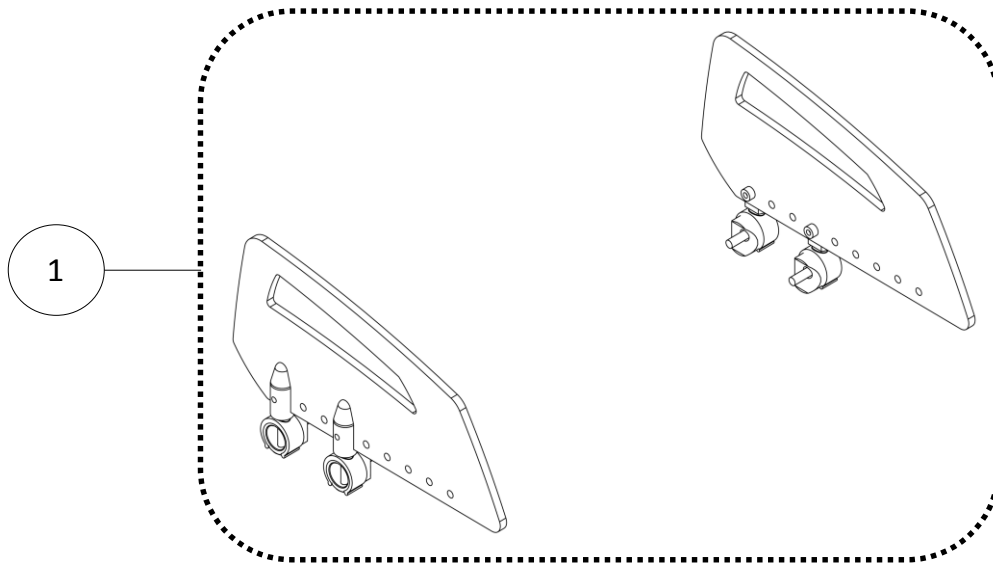
Electronic fof PGDT VR2

Pos	Qty	Stock Code	Description En	Description Fr	Remark
1	1	O5042MONTE	Backrest actuator	Vérin dossier	
2	0-2	VIS-CHC5X16ZN	Hexagon socket head cap screw M5x16	Vis tête cylindrique M5x16 six pans creux	
3	0-1	C5240XXXFO	VR2 joystick actuator + light	Joystick VR2 vérin + feux	
4	0-2	O5030XXXAI	PGDT joystick holder	Support joystick PGDT	
5	0-1	C5238XXXFO	VR2 joystick – 2 actuators	Joystick VR2 – 2 vérins	
6	0-1	SE530XXXFO	VR2 dual attendant	Commande tierce personne VR2	
7	0-1	O4076XXXPN	Attendant control support	Support commande tierce personne	
8	0-1	L0020XXXFO	Adjustment knob M8x20	Poignée quadro M8x20	
9	0-1	C9151XXXAI	Dual attendant support	Support commande déportée	
10	0-2	C9091XXXFO	Polyamide tube clamp Ø22mm	Bride polyamide Ø22mm	
11	0-4	VIS-CHC6X35ZN	Hexagon socket head cap screw M6x35	Vis tête cylindrique M6X35 six pans creux	
12	0-1	C9162XXXFO	Kit joystick mounted on backrest	Kit commande standard déportée dossier	
13	1	C5233MONTE	Speed limit contactor	Faisceau speed limit	
14	0-4	RON-M5ZN	Plain washer Ø5	Rondelle plate M Ø5	
15	0-4	VIS-CHC5X12ZN	Hexagon socket head cap screw M5x12	Vis tête cylindrique M5x12 six pans creux	
16	1	C5237XXXFO	Power module VR2 70A	Power module VR2 70A	

Electronic for PGDT R-NET

Pos	Qty	Stock Code	Description En	Description Fr	Remark
17	1	O5042MONTE	Backrest actuator	Vérin dossier	
18	0-2	VIS-CHC5X16ZN	Hexagon socket head cap screw M5x16	Vis tête cylindrique M5x16 six pans creux	
19	0-1	O5032XXXFO	PGDT R-NET joystick	Joystick PGDT R-NET	
20	0-1	O5030XXXAI	PGDT joystick holder	Support joystick PGDT	
21	0-1	O5034XXXFO	PGDT R-NET dual attendant module	Commande tierce personne PGDT R-NET	
22	0-1	O4076XXXPN	Attendant control support	Support commande tierce personne	
23	0-1	L0020XXXFO	Adjustment knob M8x20	Poignée quadro M8x20	
24	0-1	C9151XXXAI	Dual attendant support	Support commande déportée	
25	0-2	C9091XXXFO	Polyamide tube clamp Ø22mm	Bride polyamide Ø22mm	
26	0-2	VIS-CHC6X35ZN	Hexagon socket head cap screw M6x35	Vis tête cylindrique M6X35 six pans creux	
27	0-1	C9162XXXFO	Kit joystick mounted on backrest	Kit commande standard déportée dossier	
28	1	C5233MONTE	Speed limit contactor	Faisceau speed limit	
29	0-4	RON-M5ZN	Plain washer Ø5	Rondelle plate M Ø5	
30	0-4	VIS-CHC5X12ZN	Hexagon socket head cap screw M5x12	Vis tête cylindrique M5x12 six pans creux	
31	1	O5031XXXFO	Power module R-NET without cable	Power module R-NET sans câble	
32	1	O5039XXXFO	PGDT R-NET ISM	PGDT R-NET ISM	

Accessories

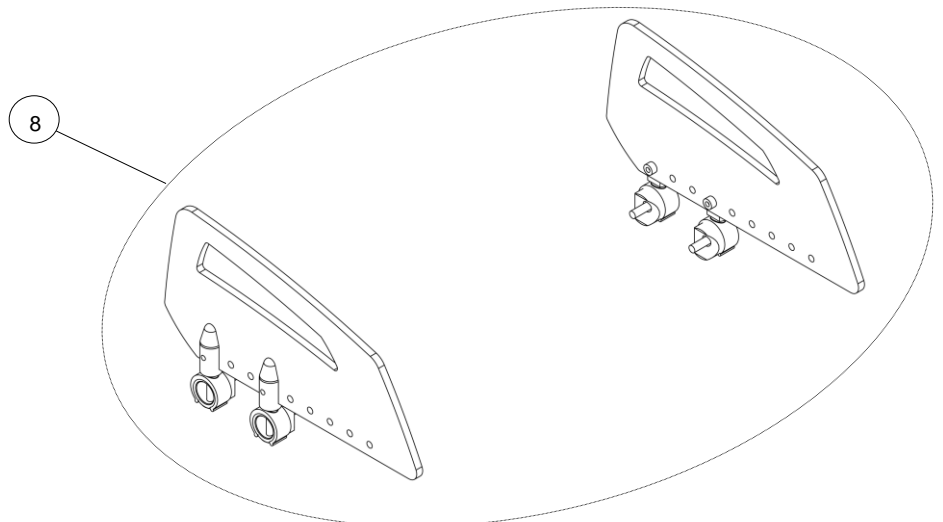
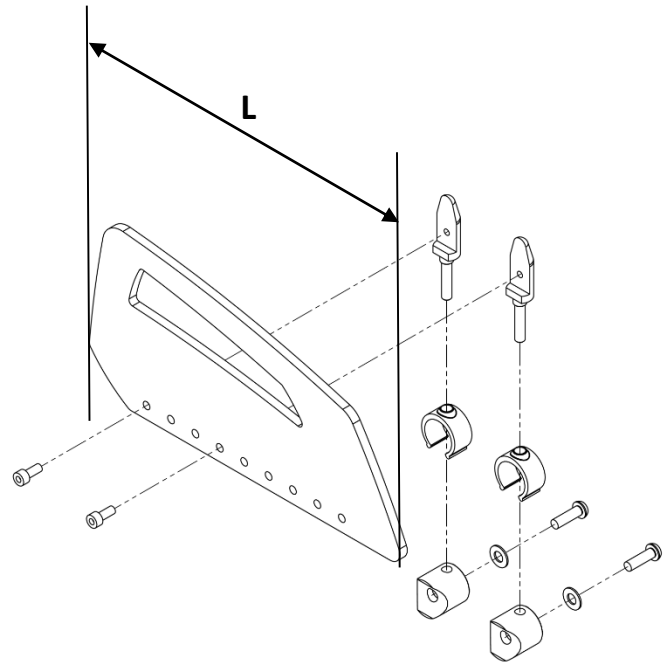
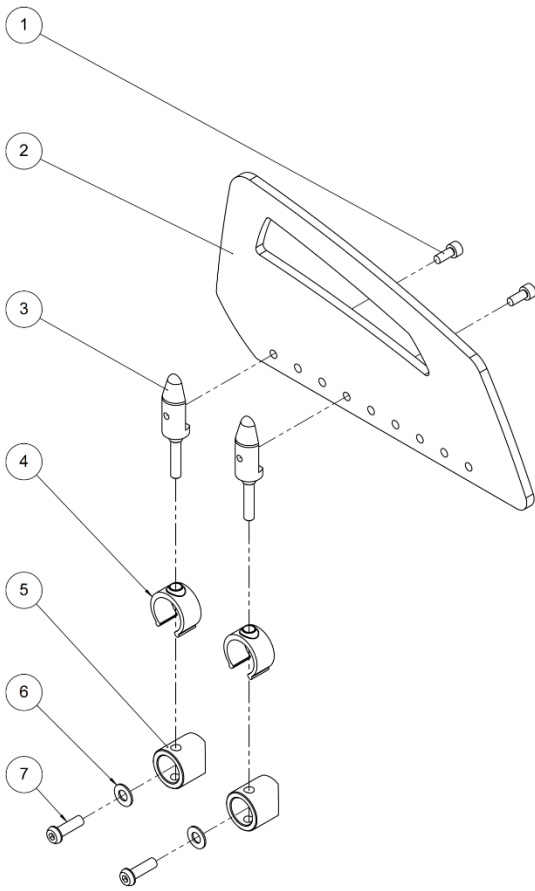




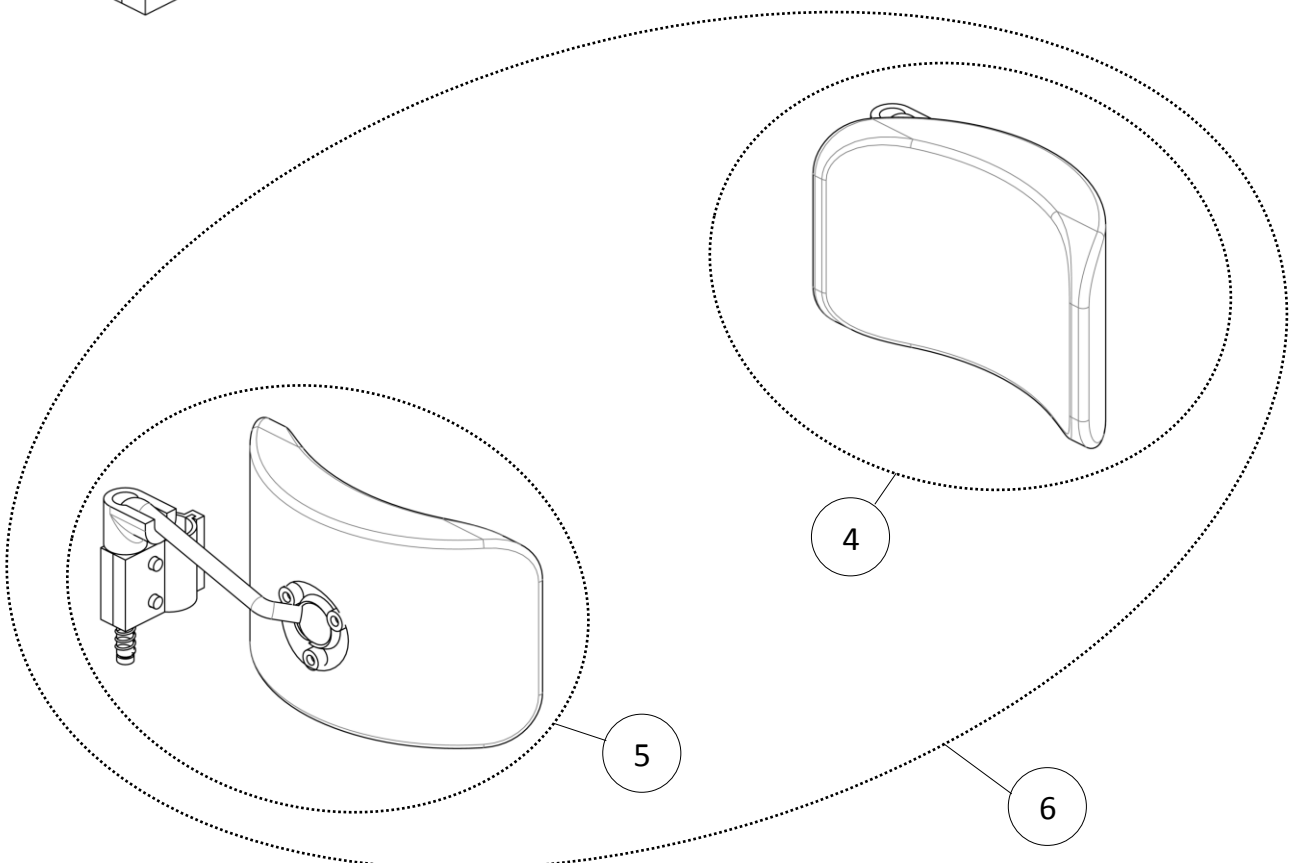
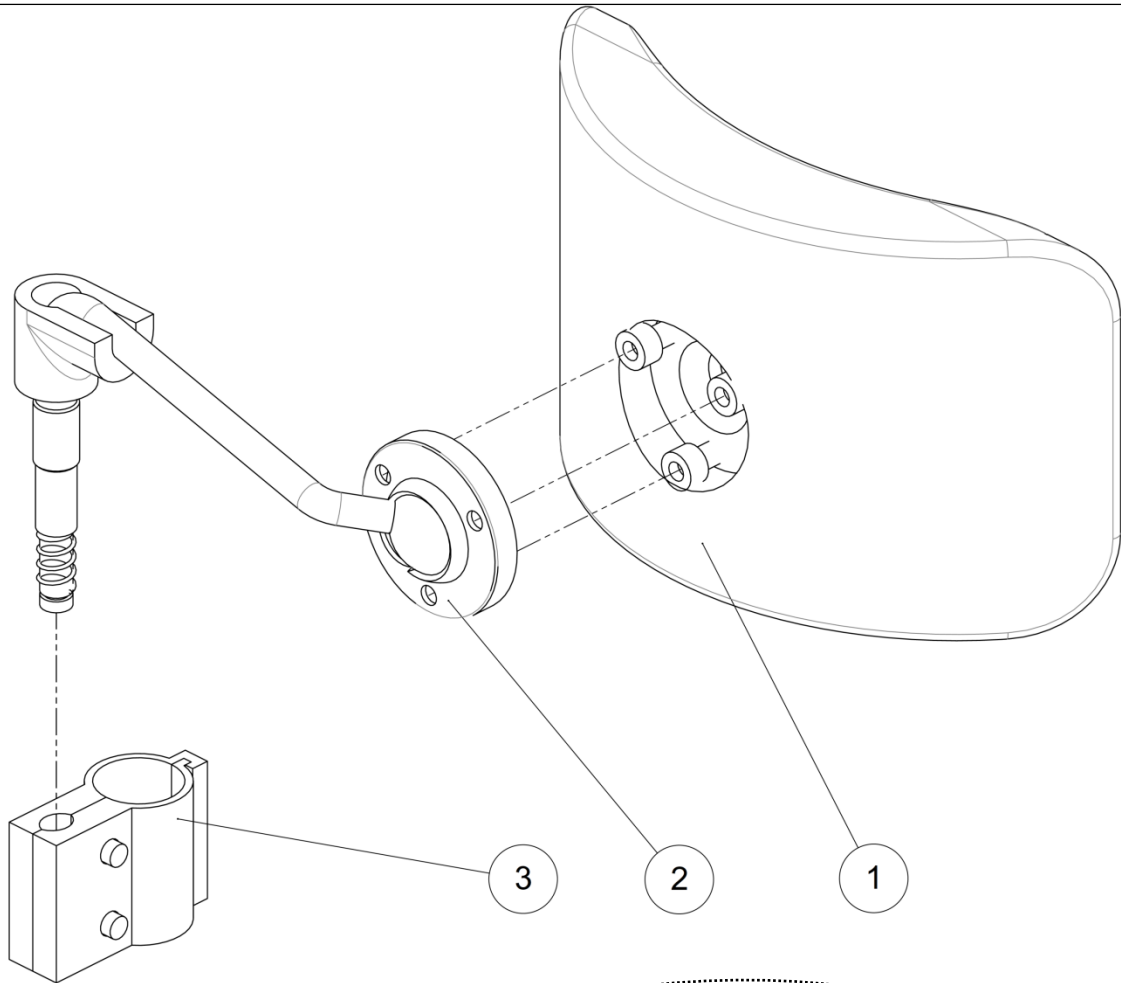
Accessories

Accessories

Pos	Qty	Stock Code	Description En	Description Fr	Remark
1	1		Side guard	Protection latérale	See exploded view p.66
2	1		Thoracic support	Cale tronc	See exploded view p.68
3	1		Lateral support	Support latéral	See exploded view p.70



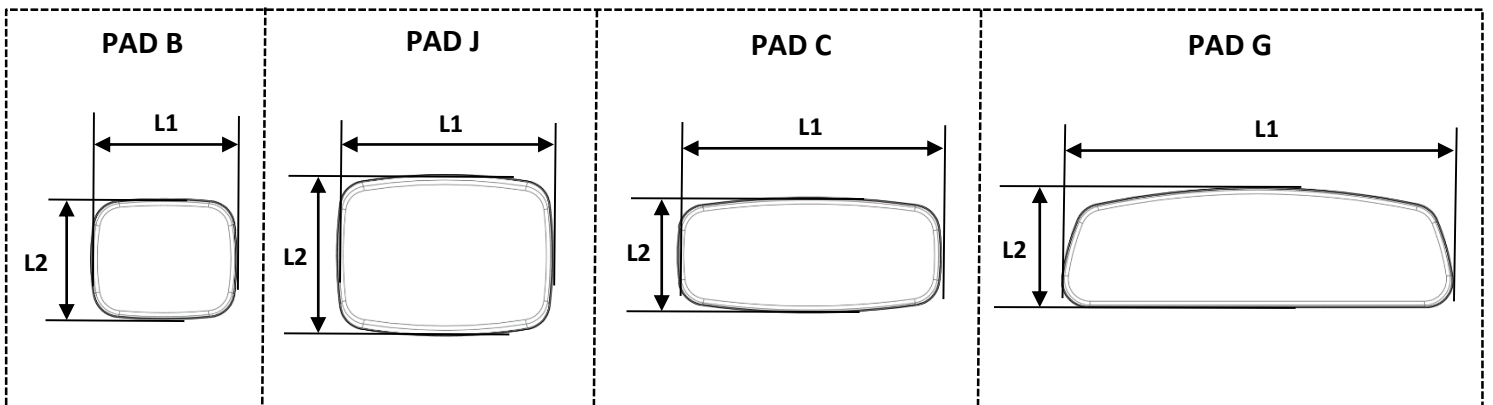
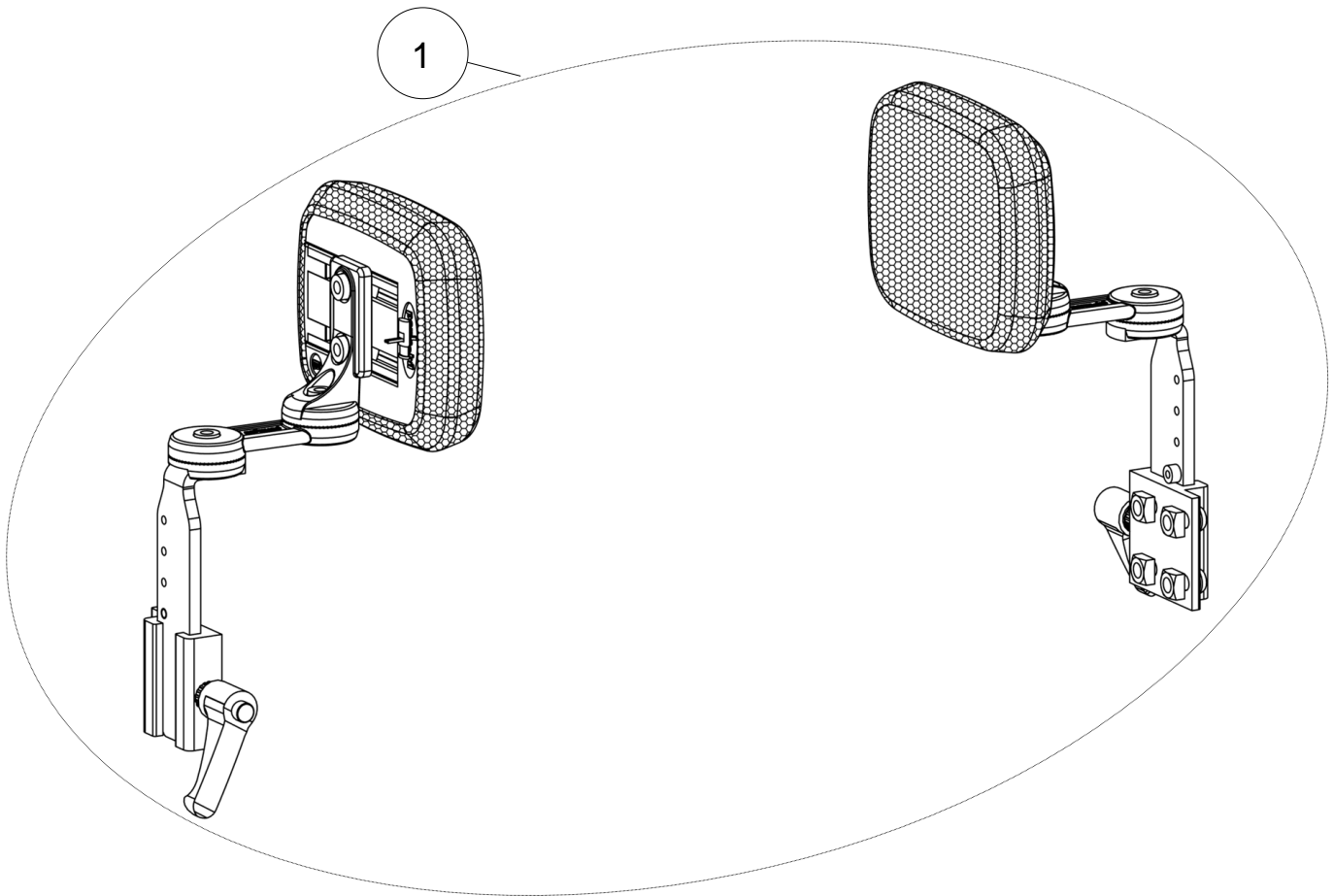
Side guard					
Pos	Qty	Stock Code	Description En	Description Fr	Remark
1	4	VIS-CHC5X12ZN	Hexagon socket head cap screw M5x12	Vis tête cylindrique M5x12 six pans creux	
2	2	C9111XSHFO	Clothes guard short	Protège vêtement court	L ≈ 213 mm
		C9111XXXFO	Clothes guard long	Protège vêtement long	L ≈ 254 mm
3	4	L9012XXXFO	Pin bracket side guards	Axe protection latérale	
4	4	L0009XXXFO	Tube lock	Verrou de tube	
5	4	C9011XXXFO	Milled spacer	Entretoise usinée	
6	4	RON-M6ZN	Plain washer Ø6	Rondelle plate M Ø6	
7	4	VIS-CBHC6X20ZN	Hexagon socket button head screw M6x20	Vis tête bombée M6x20 six pans creux	
8	1	C9010XSHFO	Kit side guards short (pair)	Kit protection latérales court (paire)	L ≈ 213 mm
		C9010XXXFO	Kit side guards long (pair)	Kit protection latérale long (paire)	L ≈ 254 mm Impossible to mount on the LSC3Kid with seat depth positions 1 and 2





Thoracic support

Pos	Qty	Stock Code	Description En	Description Fr	Remark
1	1	L9070XXXFO	Thoracic support cushion	Coussin soutien thoracique	
2	1	L9071RXXFO	Right trunk support	Support cale tronc droit	
		L9071LXXFO	Left trunk support	Support cale tronc gauche	
3	1	L9074XXXFO	Fixing tube Ø22.2 mm for trunk support	Bride de fixation tube Ø22.2 mm cale tronc	
4	1	L9079LXXFO	Kit trunk support left	Kit cale tronc gauche	
5	1	L9079RXXFO	Kit trunk support right	Kit cale tronc droit	
6	1	L9079XXXFO	Kit trunk support (pair)	Kit cale tronc (paire)	





Accessories

Lateral support

Lateral support					
Pos	Qty	Stock Code	Description En	Description Fr	Remark
1	1	P1822692	Kit lateral support S (pair)	Kit support lateral S (paire)	Pad B: L1xL2 = 110x90 mm
		P1822695	Kit lateral support M (pair)	Kit support lateral M (paire)	Pad J: L1xL2 = 165x120 mm
		P1822696	Kit lateral support L (pair)	Kit support lateral L (paire)	Pad C: L1xL2 = 200x90 mm
		P1822698	Kit lateral support XL (pair)	Kit support lateral XL (paire)	Pad G: L1xL2 = 300x90 mm

Pos	Qty	Stock Code	Description En	Description Fr	Remark
1	1	P1822692	Kit lateral support S (pair)	Kit support lateral S (paire)	Pad B: L1xL2 = 110x90 mm
		P1822695	Kit lateral support M (pair)	Kit support lateral M (paire)	Pad J: L1xL2 = 165x120 mm
		P1822696	Kit lateral support L (pair)	Kit support lateral L (paire)	Pad C: L1xL2 = 200x90 mm
		P1822698	Kit lateral support XL (pair)	Kit support lateral XL (paire)	Pad G: L1xL2 = 300x90 mm