

LS / LSE

Spare Part Catalog





LS / LSE

Stand-Up Wheelchair

Permobil Group's Head Office
Permobil AB
Box 120
861 23 Timrå
Sweden

Tel +46 60 59 59 00
Fax + 46 60 57 52 50

E-mail info@permobil.se

Permobil Inc. USA
6961 Eastgate Blvd.
Lebanon TN 37090
USA

Phone 800-736-0925
Fax 800-231-3256

Email info@permobilusa.com

Lifestand Groupe Permobil
5 rue Clément Ader
69740 Genas
France

Tel. +33 (0)4 37 26 27 28
Fax +33 (0)4 37 26 27 29

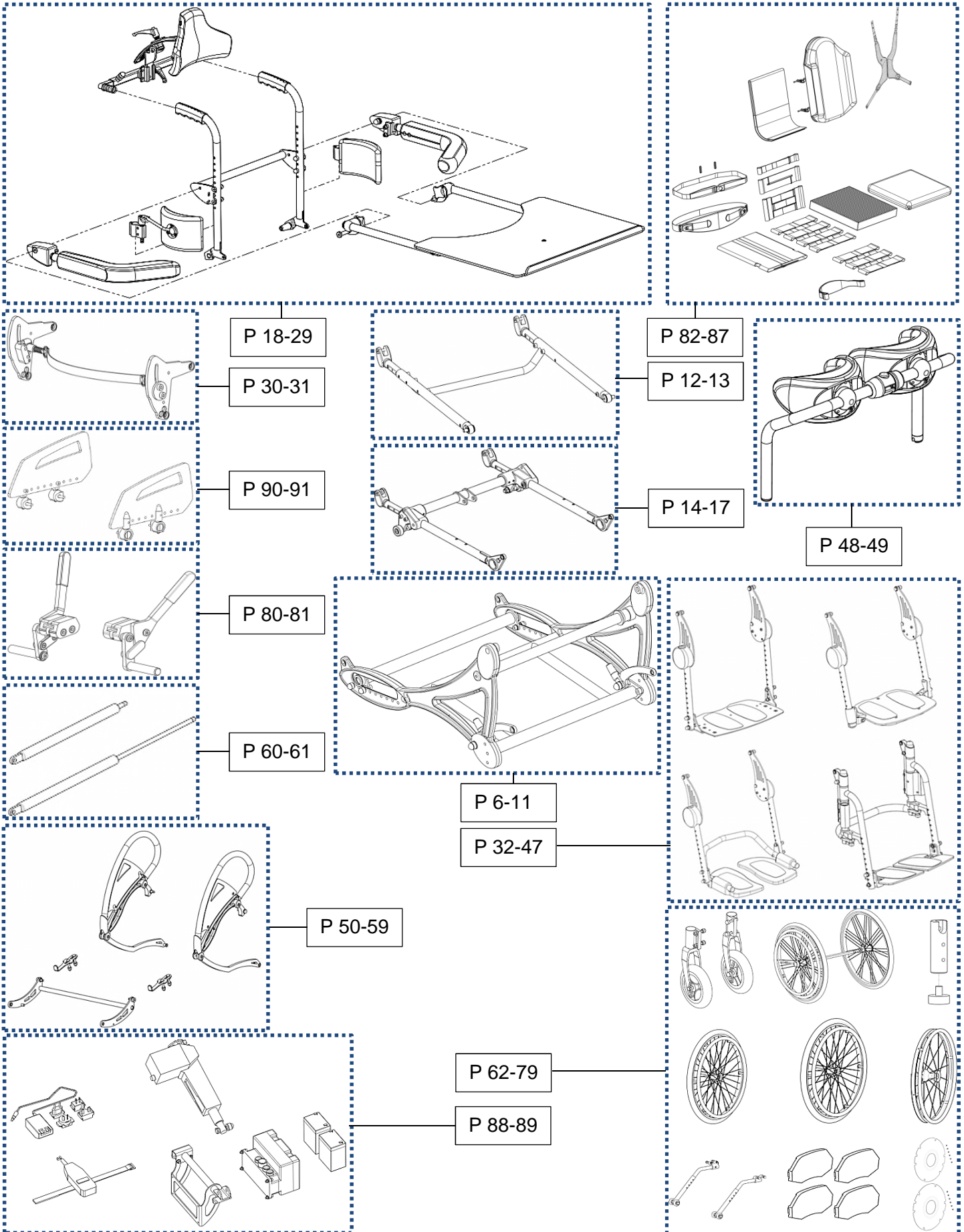
Email info@permobil.com

Sommaire

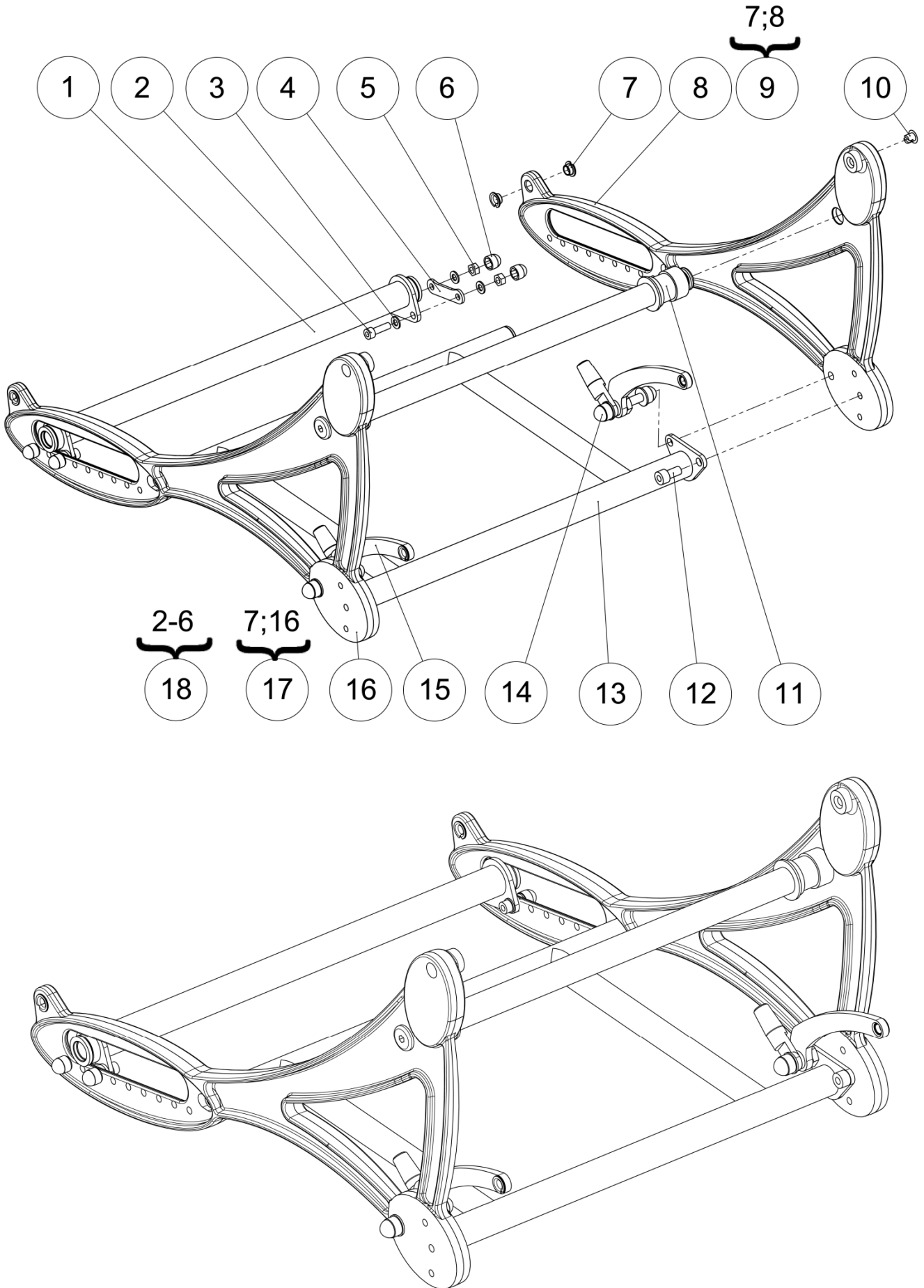
Frame	7
Front cross tube	9
Front cross tube fixation	11
Upper seat	13
Lower seat	15
Lower seat tubes	17
Backrest	19
Backrest Tubes	21
Armrests	23
Headrest	25
Worktable	27
Trunk support	29
Side hub	31
Legrest	33
Footrest supports	35
Fixed footrest	37
Footrest flip up and fold away	39
Dual footrest flip up	41
Dual footrest flip up and fold away	43
Dual footrest flip up and fold away plates	45
Dual footrest flip up and fold away rod	47
Kneerest	49
Manual standing	51
Grip handle crosstube	53
Stand-up lock	55
Arm loop lever	57
Carbon fiber side guards	59
Gas strut	61
Wheels	63
Front wheels	65
Rear wheel 24''	67



Lifestand wheel 24"	69
Rear wheel 24" Spinergy.....	71
Rear wheel 26"	73
Hemiplegic wheels	75
Anti-tipper wheels.....	77
Spoke guards 24"	79
Brakes.....	81
Textiles	83
Seat cushion visco	85
Varilite accessories.....	87
Electric standing.....	89
Side guards.....	91



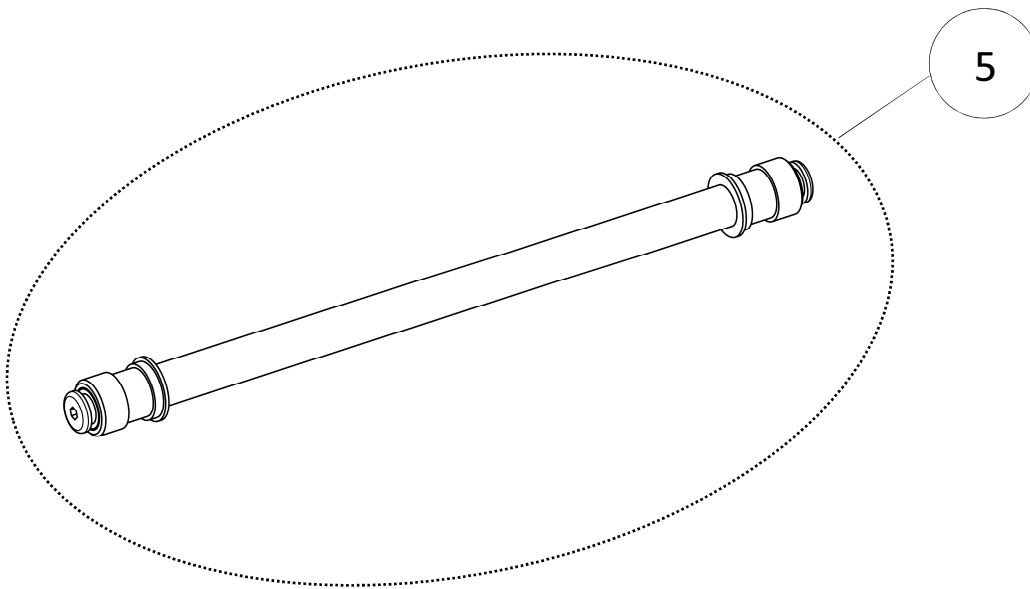
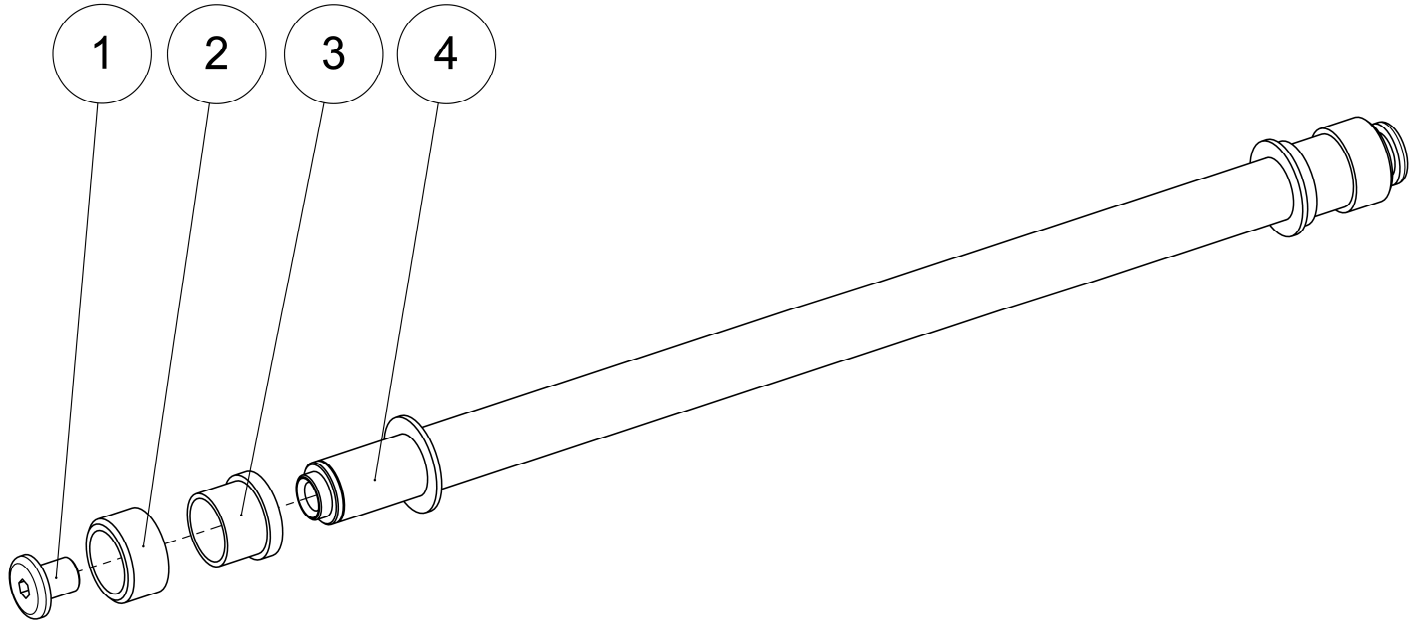
Frame



Frame

Frame

Pos	Qty	Stock Code	Description En	Description Fr	Remark
1	1	A1002X36PN	Rear wheel axle size 36 cm	Essieu arrière taille 36 cm	No camber
		A1002X40PN	Rear wheel axle size 40 cm	Essieu arrière taille 40 cm	No camber
		A1002X44PN	Rear wheel axle size 44 cm	Essieu arrière taille 44 cm	No camber
		A1002X48PN	Rear wheel axle size 48 cm	Essieu arrière taille 48 cm	No camber
		A1004X36PN	Cambered rear wheel axle size 36 cm	Essieu arrière carrossé taille 36 cm	3° camber / Carrossage
		A1004X40PN	Cambered rear wheel axle size 40 cm	Essieu arrière carrossé taille 40 cm	3° camber / Carrossage
		A1004X44PN	Cambered rear wheel axle size 44 cm	Essieu arrière carrossé taille 44 cm	3° camber / Carrossage
		A1004X48PN	Cambered rear wheel axle size 48 cm	Essieu arrière carrossé taille 48 cm	3° camber / Carrossage
2	4	VIS-CHC6X25ZN	Hexagon socket head cap screw M6x25	Vis tête cylindrique M6x25 six pans creux	
3	8	RON-M6ZN	Plain washer Ø6	Rondelle plate M Ø6	
4	2	L0110XXXPN	Axle spacer	Cale essieu	
5	4	ECR-HFR6ZN	Prevailing torque type hexagon nut M6	Ecrou frein M6	
6	4	C0215XXXFO	Nut cap M6	Cache écrou M6	
7	4	L0007080FO	Collar bearing 8x10x5.5mm	Coussinet a collerette 8x10x5.5mm	
8	1		Left frame black/blue/red/grey	Châssis gauche LS3 noir/bleu/rouge/gris	NOT FOR SALE L1100LXXP N/B/R/T
9	1	322824	Kit left frame black	Kit châssis gauche noir	
		322825	Kit left frame blue	Kit châssis gauche bleu	
		322826	Kit left frame red	Kit châssis gauche rouge	
		322827	Kit left frame grey	Kit châssis gauche gris	
10	2	L0005XXXFO	Closing plastic cap	Bouchon de fermeture	
11	1		Front cross tube	Traverse avant	See exploded view p.8
12	2	VIS-CHC8X16ZN	Hexagon socket head cap screw M8x16	Vis tête cylindrique M8x16 six pans creux	
13	1	L1105X36PN	Basic frame size 36 cm	Echelle taille 36 cm	
		L1105X40PN	Basic frame size 40 cm	Echelle taille 40 cm	
		L1105X44PN	Basic frame size 44 cm	Echelle taille 44 cm	
		L1105X48PN	Basic frame size 48 cm	Echelle taille 48 cm	
14	1		Front cross tube fixation left	Fixation bielle gauche	See exploded view p.10
15	1		Front cross tube fixation right	Fixation bielle droite	See exploded view p.10
16	1		Right frame black/blue/red/grey	Châssis droit LS3 noir/bleu/rouge/gris	NOT FOR SALE L1100RXXP N/B/R/T
17	1	322828	Kit right frame black	Kit châssis droit noir	
		322829	Kit right frame blue	Kit châssis droit bleu	
		322830	Kit right frame red	Kit châssis droit rouge	
		322831	Kit right frame grey	Kit châssis droit gris	
18	1	322823	Kit fixation rear wheel axle (pair)	Kit de fixation traverse arrière (paire)	



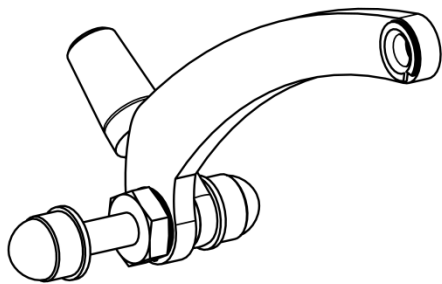
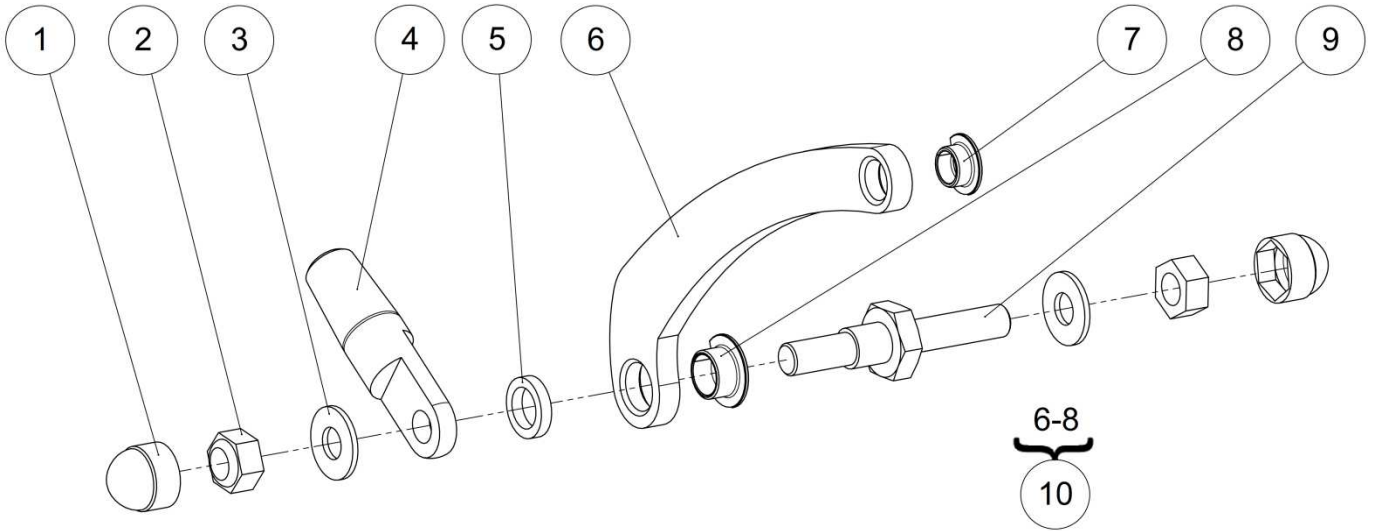


Frame

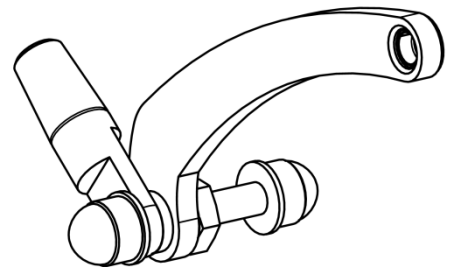
Front cross tube

Front cross tube

Pos	Qty	Stock Code	Description En	Description Fr	Remark
1	2	L0115XXXZN	Cross bar screw	Axe de traverse	
2	2	L0113XXXFO	Wedging ring	Bague de calage	
3	2	L0112XXXFO	Guide ring	Bague de guidage	
4	1	L1103X36PN	Front cross tube size 36 cm	Traverse supérieure taille 36 cm	
		L1103X40PN	Front cross tube size 40 cm	Traverse supérieure taille 40 cm	
		L1103X44PN	Front cross tube size 44 cm	Traverse supérieure taille 44 cm	
		L1103X48PN	Front cross tube size 48 cm	Traverse supérieure taille 48 cm	
5	1	322832	Kit front cross tube size 36 cm	Kit traverse supérieur taille 36 cm	
		322833	Kit front cross tube size 40 cm	Kit traverse supérieur taille 40 cm	
		322834	Kit front cross tube size 44 cm	Kit traverse supérieur taille 44 cm	
		322835	Kit front cross tube size 48 cm	Kit traverse supérieur taille 48 cm	



Right side



Left side



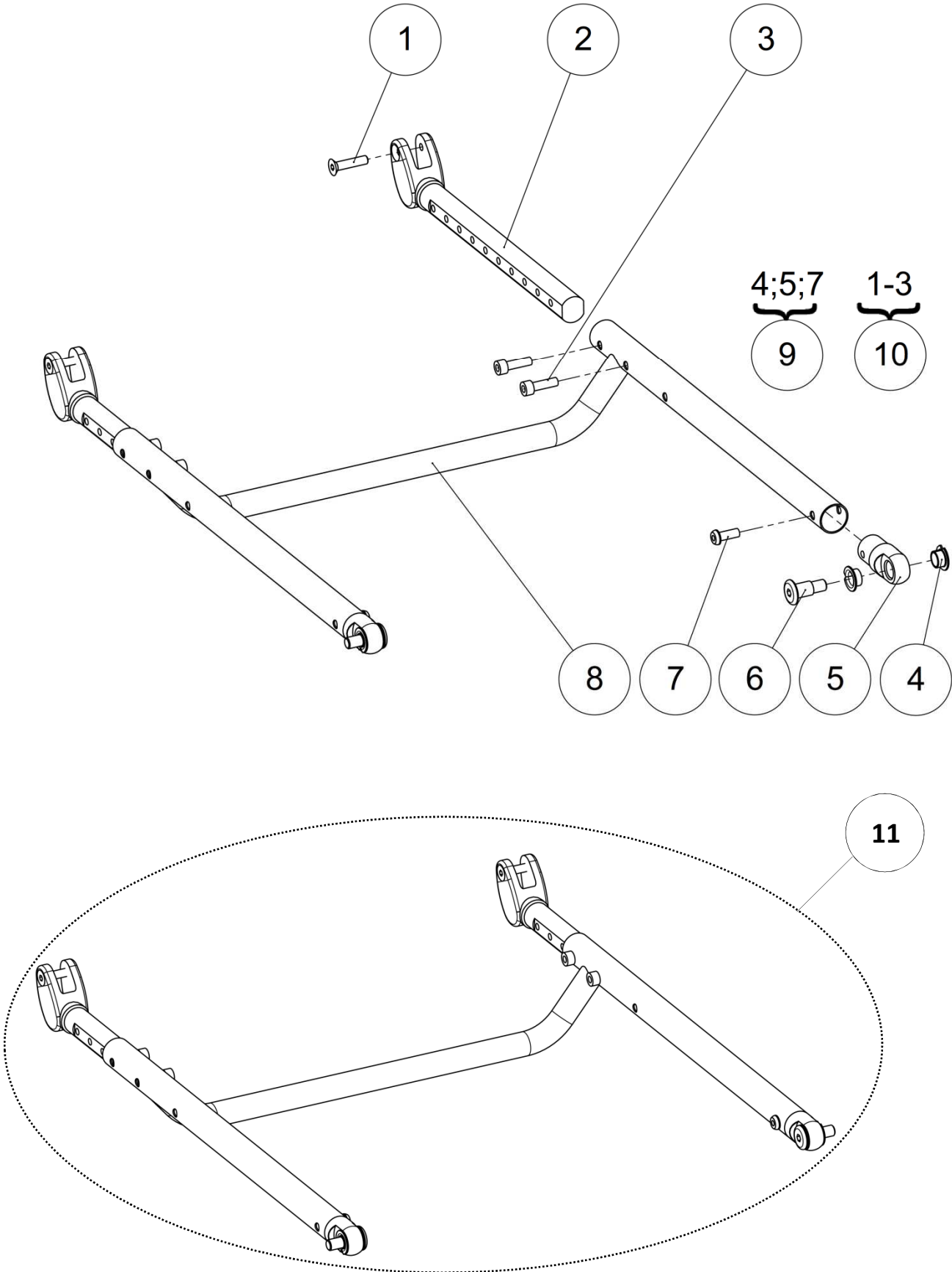
Frame

Front cross tube fixation

Front cross tube fixation

Pos	Qty	Stock Code	Description En	Description Fr	Remark
1	4	C0214XXXFO	Nut cap M8	Cache écrou M8	
2	4	ECR-HFR8ZN	Prevailing torque type hexagon nut M8	Ecrou frein M8	
3	4	RON-M8ZN	Plain washer Ø8	Rondelle plate M Ø8	
4	2	L8110XXXAI	Gas strut clevis	Chape de vérin	
5	2	RON-M10EPAI-PLAS	Spacer Ø10.3xØ15x3mm	Entretoise Ø10.3xØ15x3mm	
6	2		Footrest connecting rod	Bielle repose pied anodise	NOT FOR SALE L0111XXXAI
7	2	L0007080FO	Collar bearing 8x10x5.5mm	Coussinet a collerette 8x10x5.5mm	
8	2	L0007100FO	Collar bearing 10x12x7mm	Coussinet à collerette 10x12x7mm	
9	2	L0114XXXZN	Gas spring axle	Axe vérin à gaz	
10	1	322836	Kit front cross tube plate left	Kit plaque traverse avant gauche	
	1	322837	Kit front cross tube plate right	Kit plaque traverse avant droit	

Upper seat

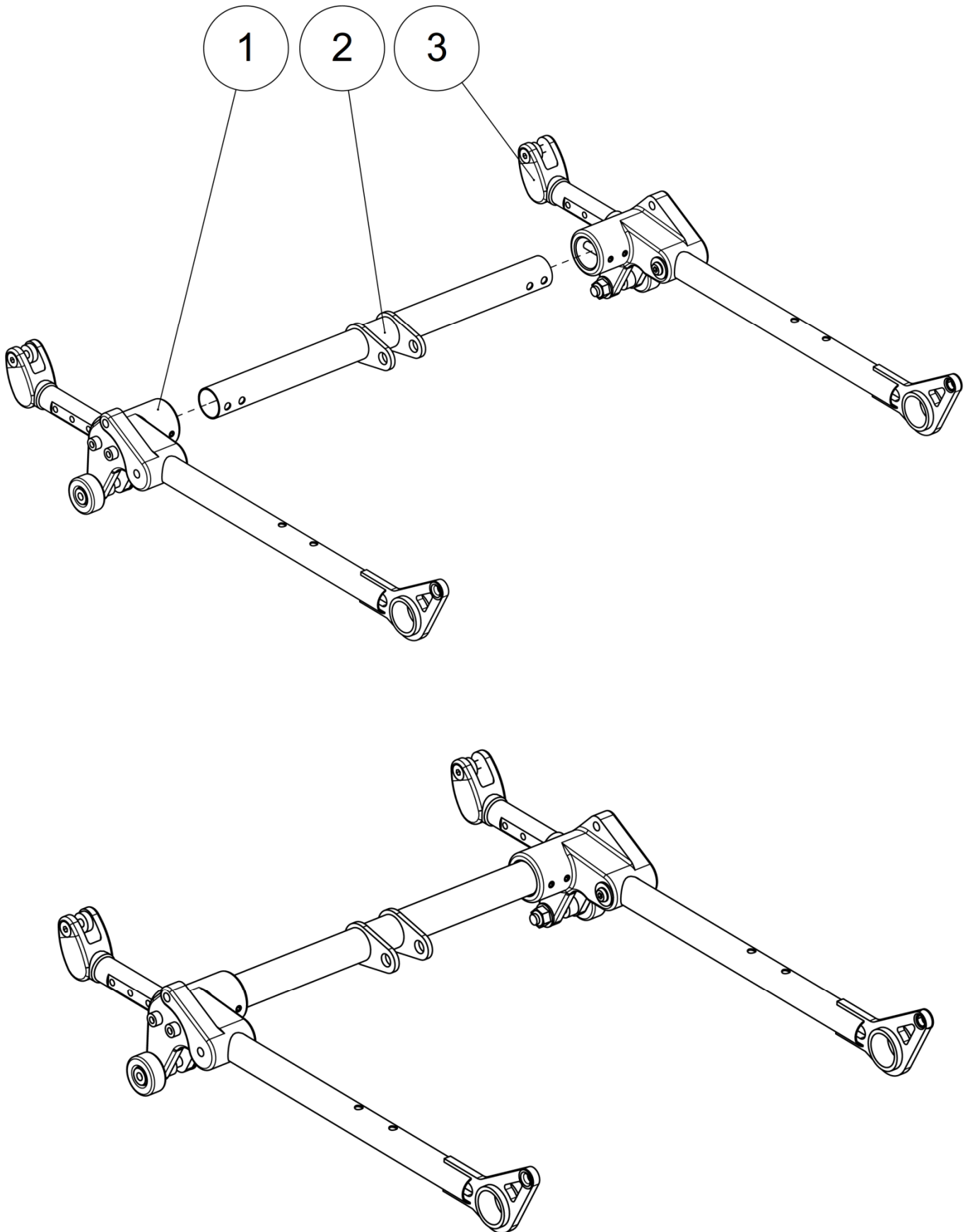


Upper seat

Upper seat

Pos	Qty	Stock Code	Description En	Description Fr	Remark
1	2	L2108XXXZN	Screw M6x27	Vis coulisseau M6x27	
2	2		Seat depth runner tube	Coulisseau d'assise	NOT FOR SALE L2106XXXAI
3	4	VIS-CHC6X20ZN	Hexagon socket head cap screw M6x20	Vis tête cylindrique M6x20 six pans creux	
4	4	L0007100FO	Collar bearing 10x12x7mm	Coussinet à collerette 10x12x7mm	
5	2		Upper seat tube lug	Tenon assise supérieure	NOT FOR SALE L2104XXXFO
6	2	A0021XXXZN	Upper seat tube lug spindle	Pivot d'assise supérieure	
7	2	VIS-CBHC6X16ZN	Hexagon socket button head screw M6x16	Vis tête bombée M6x16 six pans creux	
8	1	L2102X36PN	Upper seat frame size 36 cm	Assise supérieure taille 36 cm	
		L2102X40PN	Upper seat frame size 40 cm	Assise supérieure taille 40 cm	
		L2102X44PN	Upper seat frame size 44 cm	Assise supérieure taille 44 cm	
		L2102X48PN	Upper seat frame size 48 cm	Assise supérieure taille 48 cm	
9	2	322838	Kit upper seat lug	Kit tenon d'assise supérieur	
10	2	322839	Kit upper seat depth runner tube	Kit coulisseau d'assise supérieure	
11	1	322840	Kit upper seat size 36 cm	Kit assise supérieure taille 36 cm	
		322841	Kit upper seat size 40 cm	Kit assise supérieure taille 40 cm	
		322842	Kit upper seat size 44 cm	Kit assise supérieure taille 44 cm	
		322843	Kit upper seat size 48 cm	Kit assise supérieure taille 48 cm	

Lower seat





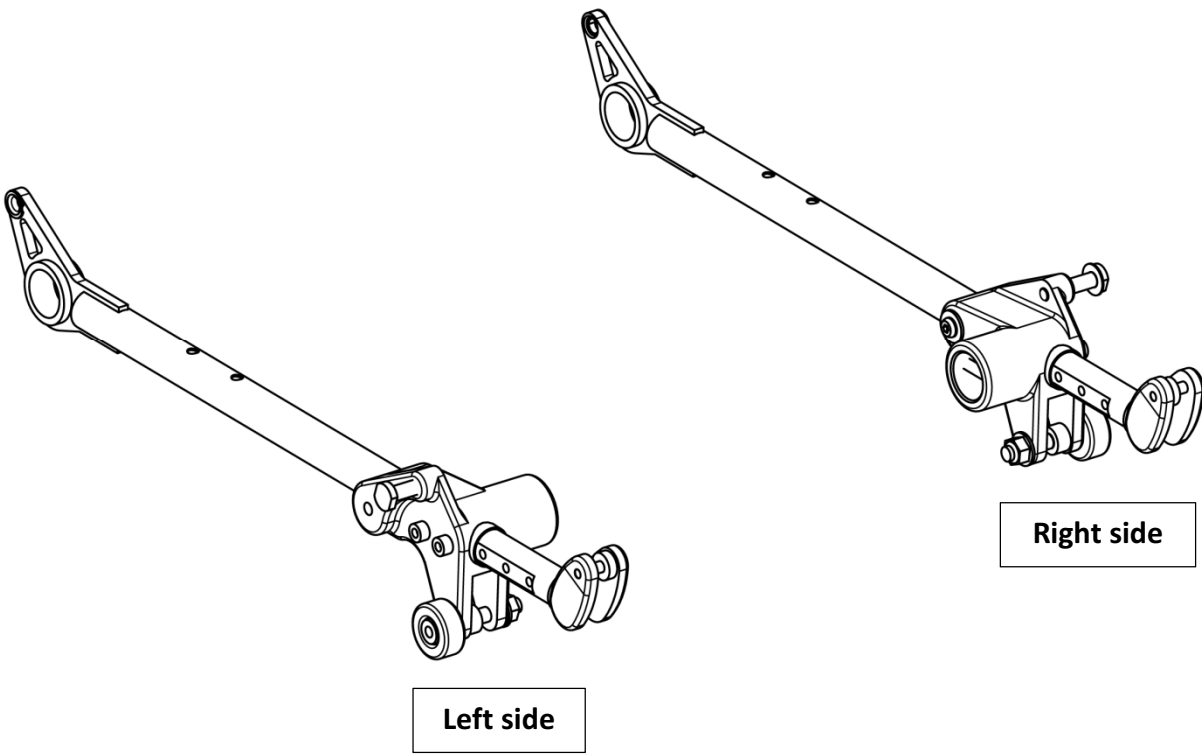
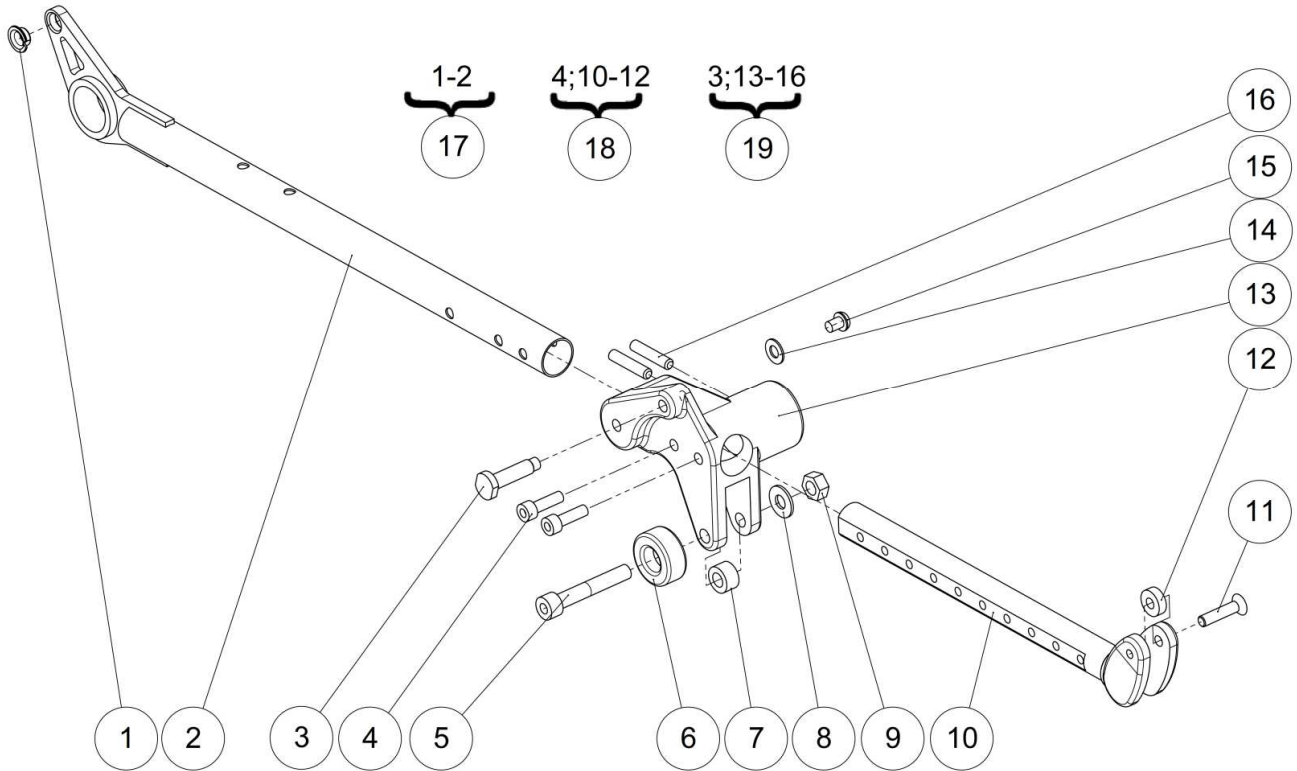
Lower seat

Lower seat

Pos	Qty	Stock Code	Description En	Description Fr	Remark
1	1		Lower seat tube right	Tube d'assise inférieure droit	See exploded view p.16
2	1	L2103X36PN	Cross bar lower seat frame size 36 cm	Traverse assise inférieure taille 36 cm	
		L2103X40PN	Cross bar lower seat frame size 40 cm	Traverse assise inférieure taille 40 cm	
		L2103X44PN	Cross bar lower seat frame size 44 cm	Traverse assise inférieure taille 44 cm	
		L2103X48PN	Cross bar lower seat frame size 48 cm	Traverse assise inférieure taille 48 cm	
3	1		Lower seat tube left	Tube d'assise inférieure gauche	See exploded view p.16

Lower seat

Lower seat tubes



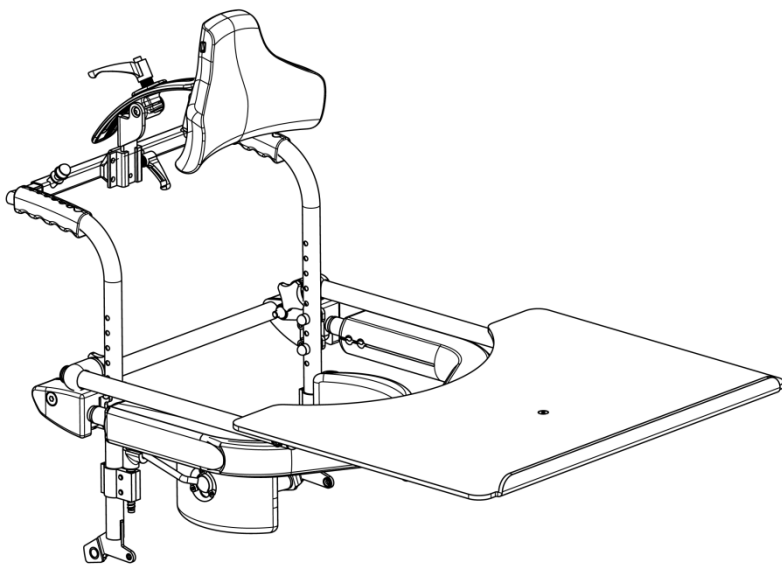
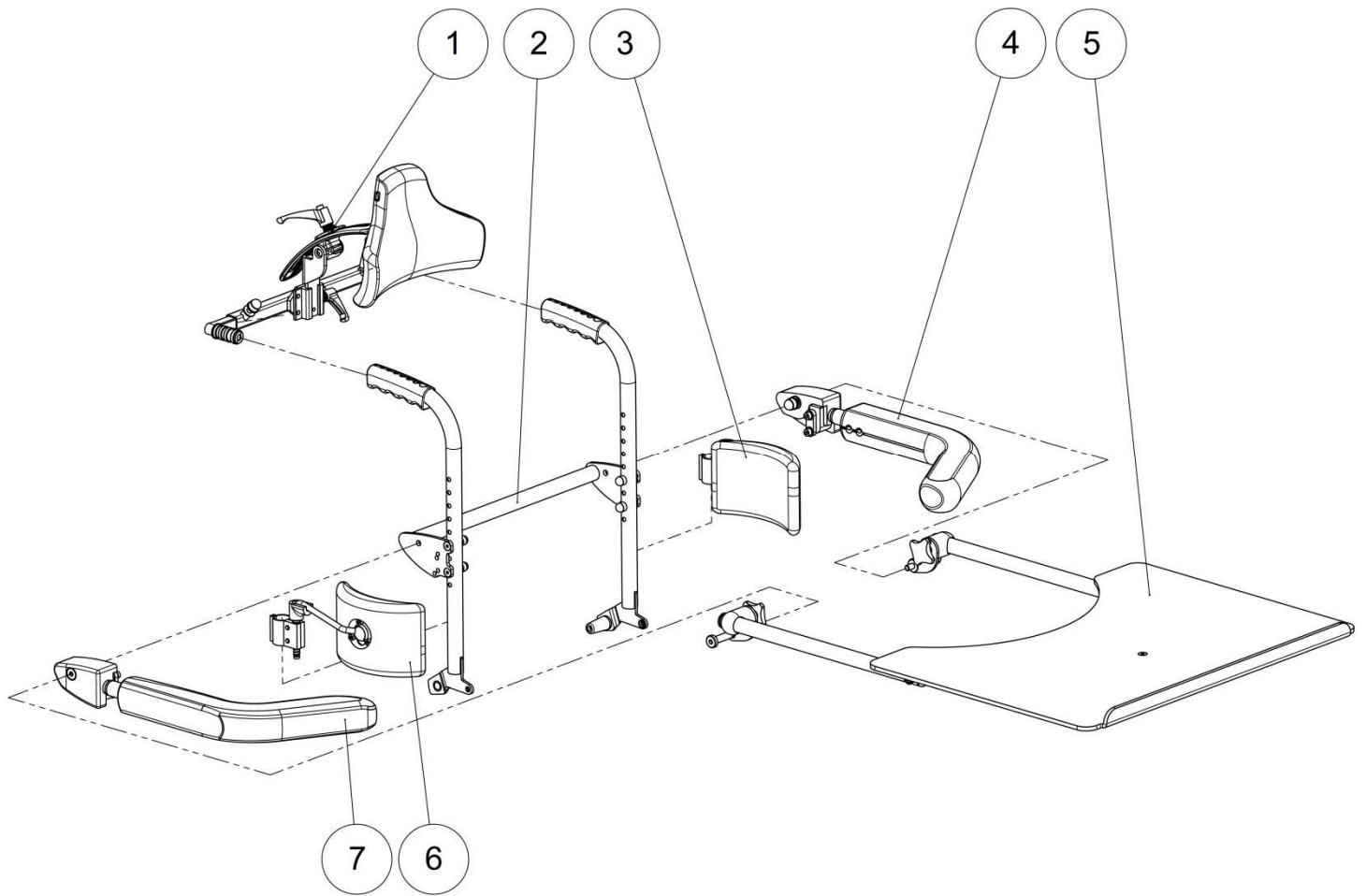
Lower seat

Lower seat tubes

Lower seat tubes

Pos	Qty	Stock Code	Description En	Description Fr	Remark
1	2	L0007080FO	Collar bearing 8x10x5.5mm	Coussinet a collerette 8x10x5.5mm	
2	2		Lower seat tube	Tube assise inférieure	NOT FOR SALE L2101XXXPN
3	2	A8003XXXZN	Linkage axle	Axe articulation bielle	
4	4	VIS-CHC6X20ZN	Hexagon socket head cap screw M6x20	Vis tête cylindrique M6x20 six pans creux	
5	2	VIS-CHC8X50ZN	Hexagon socket head cap screw M8x50	Vis tête cylindrique M8x50 six pans creux	
6	2	L0124XXXFO	Stop roller	Galet de butée	
7	2	L0122XXXFO	Washer Ø8.2 th. 8.5mm LS3	Entretoise Ø8.2 ép. 8.5mm LS3	
8	2	RON-M8ZN	Plain washer Ø8	Rondelle plate M Ø8	
9	2	ECR-HFR8ZN	Prevailing torque type hexagon nut M8	Ecrou frein M8	
10	2	L2106XXXAI	Seat depth runner tube	Coulisseau d'assise	
11	2	L2108XXXZN	Screw M6x27	Vis coulisseau M6x27	
12	2	L0123XXXFO	Washer Ø6.2 th. 5mm LS3	Entretoise Ø6.2 ép.5mm LS3	
13	1	L8103LXXAI	Left lower seat block	Bloc gauche assise inf. LS3	
	1	L8103RXXAI	Right lower seat block	Bloc droit assise inf. LS3	
14	2	RON-M6ZN	Plain washer Ø6	Rondelle plate M Ø6	
15	2	VIS-CBHC6X8ZN	Hexagon socket button head screw M6x8	Vis tête bombée M6x8 six pans creux	
16	4	VIS-HC6X30ZN	Hexagon socket set screw M6x30	Vis sans tête M6x30 six pans creux	
17	1	322844	Kit lower seat tube left	Kit tube d'assise inférieur gauche	
	1	322845	Kit lower seat tube right	Kit tube d'assise inférieur droit	
18	2	322848	Kit lower seat depth runner tube	Kit coulisseau d'assise inférieur	
19	1	322846	Kit lower seat bloc left	Kit bloc d'assise inférieur gauche	
	1	322847	Kit lower seat bloc right	Kit bloc d'assise inférieur droit	

Backrest





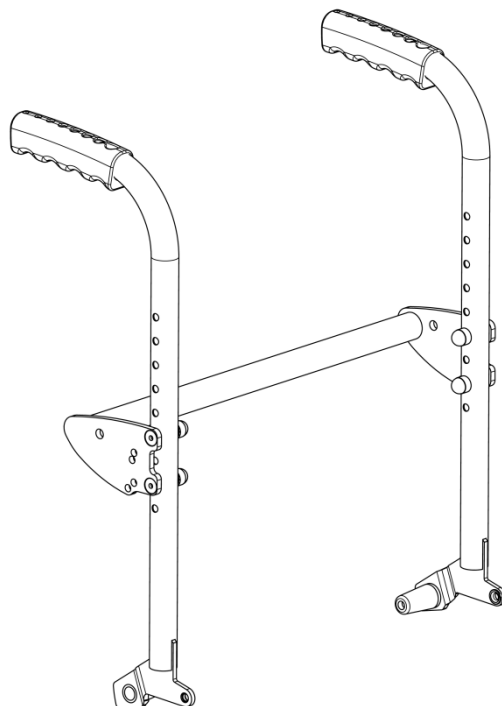
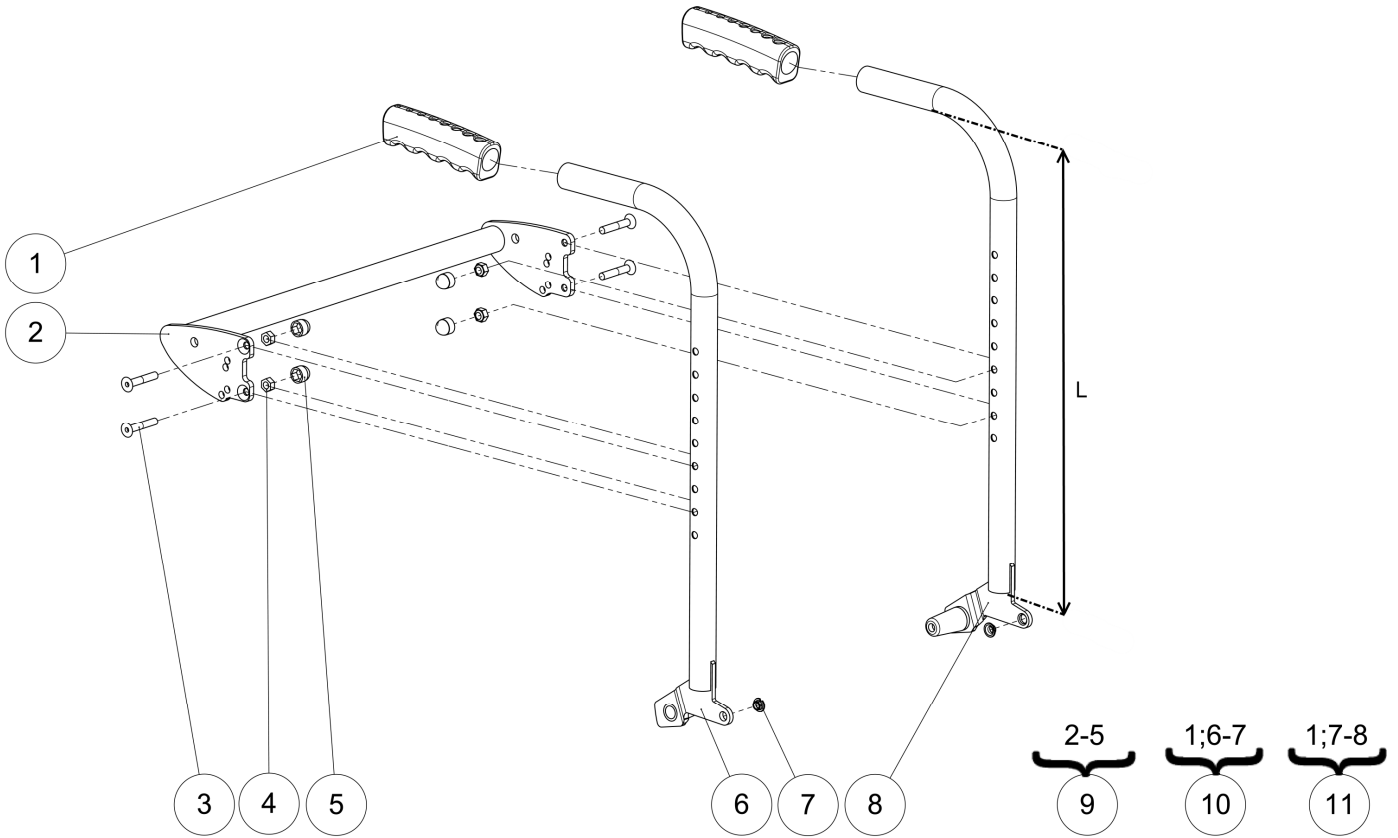
Backrest

Backrest

Pos	Qty	Stock Code	Description En	Description Fr	Remark
1	1		Headrest	Appuis tête	See exploded view p.24
2	1		Backrest tubes	Tubes dossier	See exploded view p.20
3	1		Trunk support left	Cale tronc gauche	See exploded view p.28
4	1		Left armrest	Accoudoir gauche	See exploded view p.22
5	1		Worktable	Table de travail	See exploded view p.26
6	1		Trunk support right	Cale tronc droit	See exploded view p.28
7	1		Right armrest	Accoudoir droit	See exploded view p.22

Backrest

Backrest tubes





Backrest

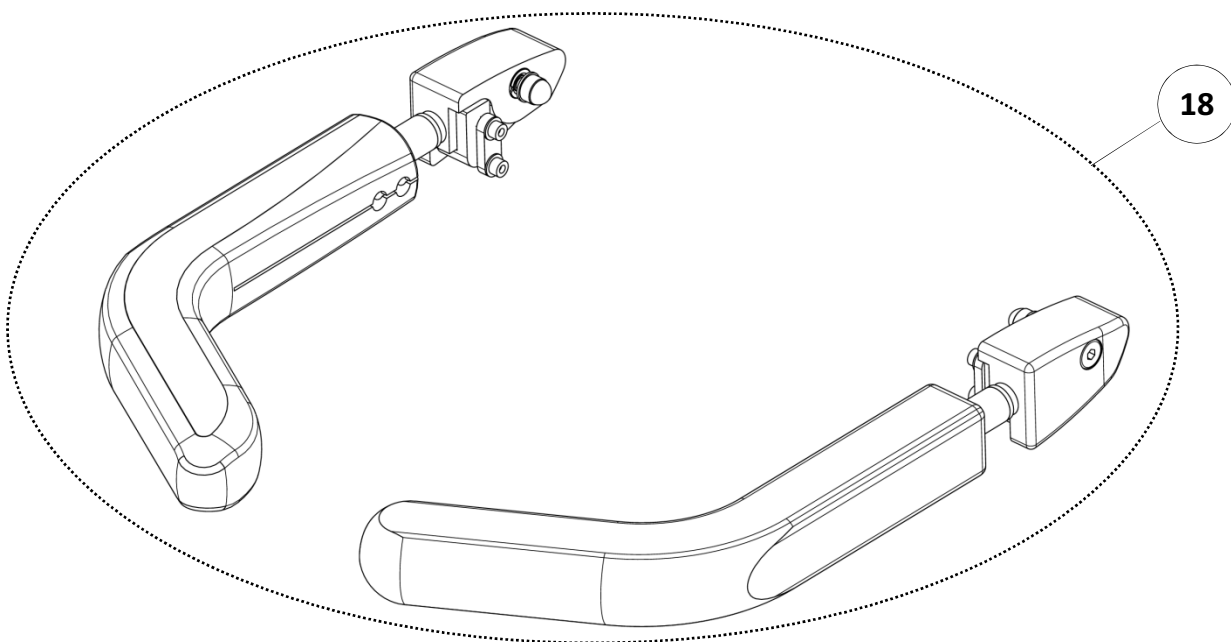
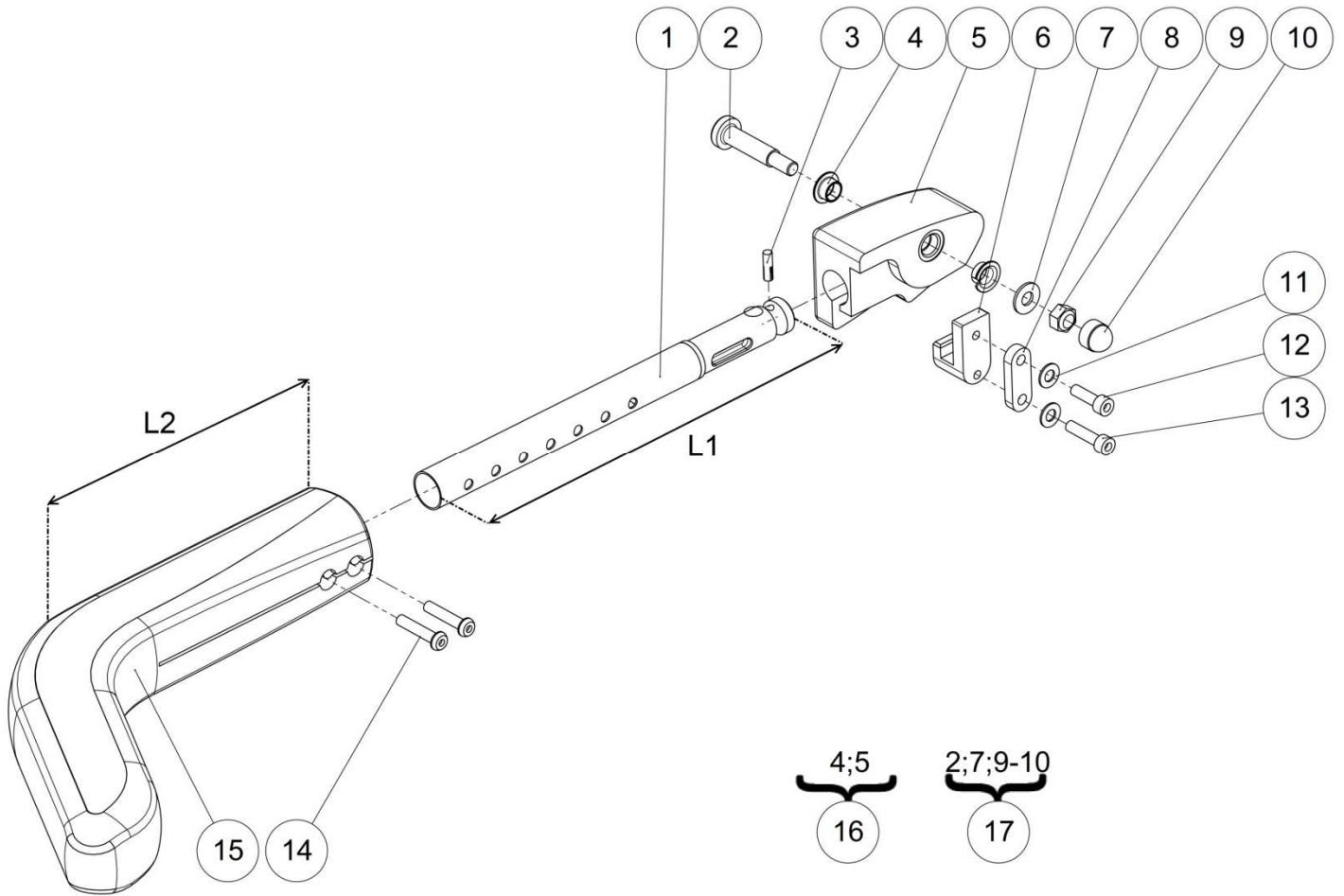
Backrest tubes

Backrest Tubes

Pos	Qty	Stock Code	Description En	Description Fr	Remark
1	2	L4004ERGFO	Ergonomic handles	Poignées ergonomiques	
2	1	L4157X36PN	Backrest cross tube size 36 cm	Traverse dossier taille 36 cm	
		L4157X40PN	Backrest cross tube size 40 cm	Traverse dossier taille 40 cm	
		L4157X44PN	Backrest cross tube size 44 cm	Traverse dossier taille 44 cm	
		L4157X48PN	Backrest cross tube size 48 cm	Traverse dossier taille 48 cm	
3	4	VIS-FHC6X35ZN	Hexagon socket countersunk head screw M6x35	Vis tête fraisée M6x35 six pans creux	
4	4	ECR-HFR6ZN	Prevailing torque type hexagon nut M6	Ecrou frein M6	
5	4	C0215XXXFO	Nut cap M6	Cache écrou M6	
6	1		Long right backrest tube	Montant dossier long droit	NOT FOR SALE L4102RREP L= 52 cm
			Right backrest tube	Montant dossier droit	NOT FOR SALE L4102RXXPN L= 40 cm
			Short right backrest tube	Montant dossier court droit	NOT FOR SALE L4102RCOPN L= 32 cm
7	2	L0007060FO	Collar bearing 6x8x4mm	Coussinet à collerette 6x8x4mm	
8	1		Long left backrest tube	Montant dossier long gauche	NOT FOR SALE L4102LREP L= 52 cm
			Left backrest tube	Montant dossier gauche	NOT FOR SALE L4102LXXPN L= 40 cm
			Short left backrest tube	Montant dossier court gauche	NOT FOR SALE L4102LCOPN L= 32 cm
9	1	322850	Kit backrest crosstube size 36 cm	Kit traverse de dossier taille 36 cm	
		322851	Kit backrest crosstube size 40 cm	Kit traverse de dossier taille 40 cm	
		322852	Kit backrest crosstube size 44 cm	Kit traverse de dossier taille 44 cm	
		322853	Kit backrest crosstube size 48 cm	Kit traverse de dossier taille 48 cm	
10	1	322856	Kit long right backrest tube	Kit montant dossier long droit	L= 52 cm
		322854	Kit right backrest tube	Kit montant dossier droit	L= 40 cm
		322855	Kit short right backrest tube	Kit montant dossier court droit	L= 32 cm
11	1	322859	Kit long left backrest tube	Kit montant dossier long gauche	L= 52 cm
		322857	Kit left backrest tube	Kit montant dossier gauche	L= 40 cm
		322858	Kit short left backrest tube	Kit montant dossier court gauche	L= 32 cm

Backrest

Armrests



Backrest

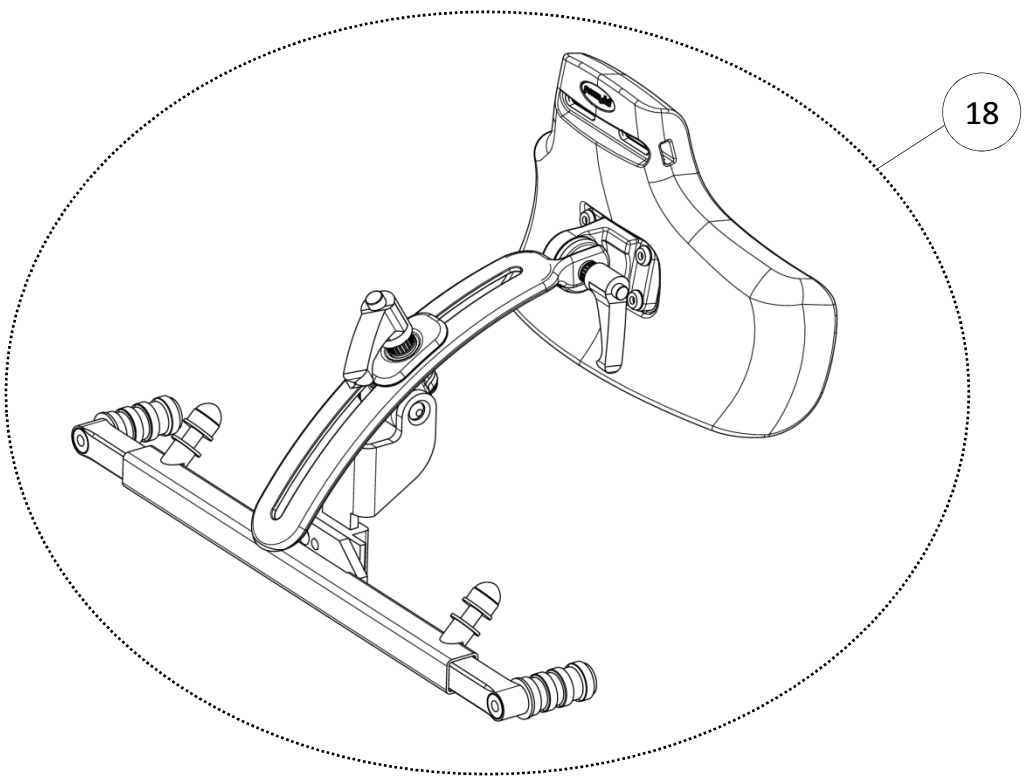
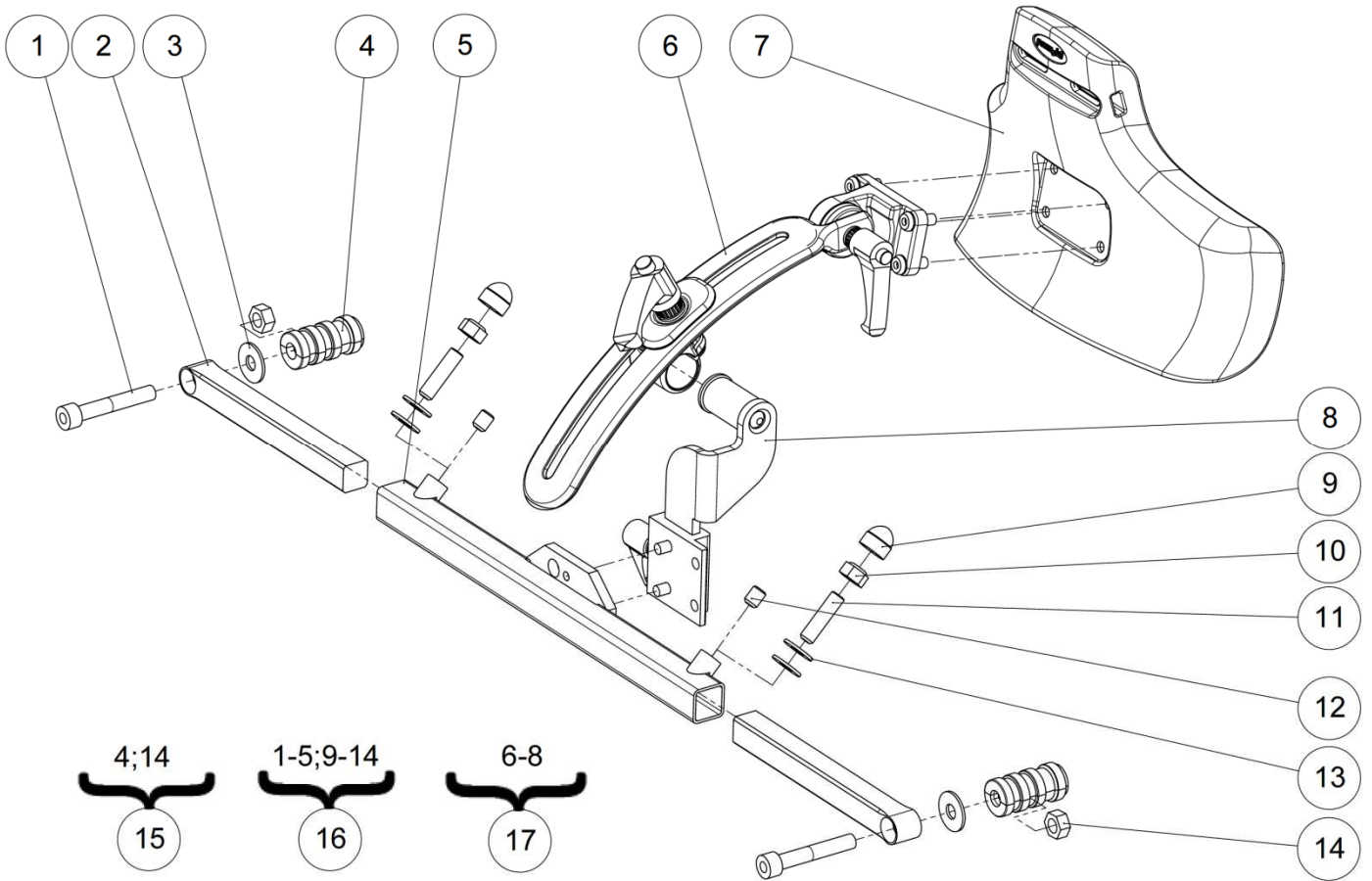
Armrests

Armrests

Pos	Qty	Stock Code	Description En	Description Fr	Remark
1	1	L4155RXXZN	Right armrest tube	Tube accoudoir droit	L1=260mm
		L4155RSHZN	Right armrest tube short	Tube accoudoir court droit	L1=210mm
	1	L4155LXXZN	Left armrest tube	Tube accoudoir gauche	L1=260mm
		L4155LSHZN	Left armrest tube short	Tube accoudoir court gauche	L1=210mm
2	2	L4153XXXZN	Armrest nut spindle	Axe épaulé accoudoir	
3	1	GOU-CANN5X18BR	Fluted lock pin G06 Ø5x18mm	Goupille cannelée G06 Ø5x18mm	ONLY ON LSE REMOTE SIDE
4	4	L0007100FO	Collar bearing 10x12x7mm	Coussinet à collerette 10x12x7mm	
5	1		Right armrest nut	Noix accoudoir droit	NOT FOR SALE L4152RXXAI
	1		Left armrest nut	Noix accoudoir gauche	NOT FOR SALE L4152LXXAI
6	2	L4154XXXZN	Armrest hook	Crochet accoudoir	
7	2	RON-M8ZN	Plain washer Ø8	Rondelle plate M Ø8	
8	2	L4156XXPN	Armrest catch	Taquet accoudoir	
9	2	ECR-HFR8ZN	Prevailing torque type hexagon nut M8	Ecrou frein M8	
10	2	C0214XXXFO	Nut cap M8	Cache écrou M8	
11	4	RON-M6ZN	Plain washer Ø6	Rondelle plate M Ø6	
12	2	VIS-CHC6X20ZN	Hexagon socket head cap screw M6x20	Vis tête cylindrique M6x20 six pans creux	
13	2	VIS-CHC6X25ZN	Hexagon socket head cap screw M6x25	Vis tête cylindrique M6x25 six pans creux	
14	4	VIS-CBHC6X30ZN	Hexagon socket button head screw M6x30	Vis tête bombée M6x30 six pans creux	
15	2	L4060XSHFO	Short armrest chest support	Accoudoir appui pectoral court	L2=150mm
		L4060XXXFO	Long armrest chest support	Accoudoir appui pectoral long	L2=200mm
16	1	322860	Kit right armrest nut	Kit noix accoudoir droit	
	1	322861	Kit left armrest nut	Kit noix accoudoir gauche	
17	2	322864	Kit fixation armrest (unit)	Kit de fixation accoudoir (l'unité)	
18	1	L4160XSHMONTE	Kit short armrests (pair)	Kit accoudoirs courts (paire)	L1=210mm L2=150mm
		L4160STDMONTE	Kit long armrests (pair)	Kit accoudoirs longs (paire)	L1=260mm L2=200mm

Backrest

Headrest





Backrest

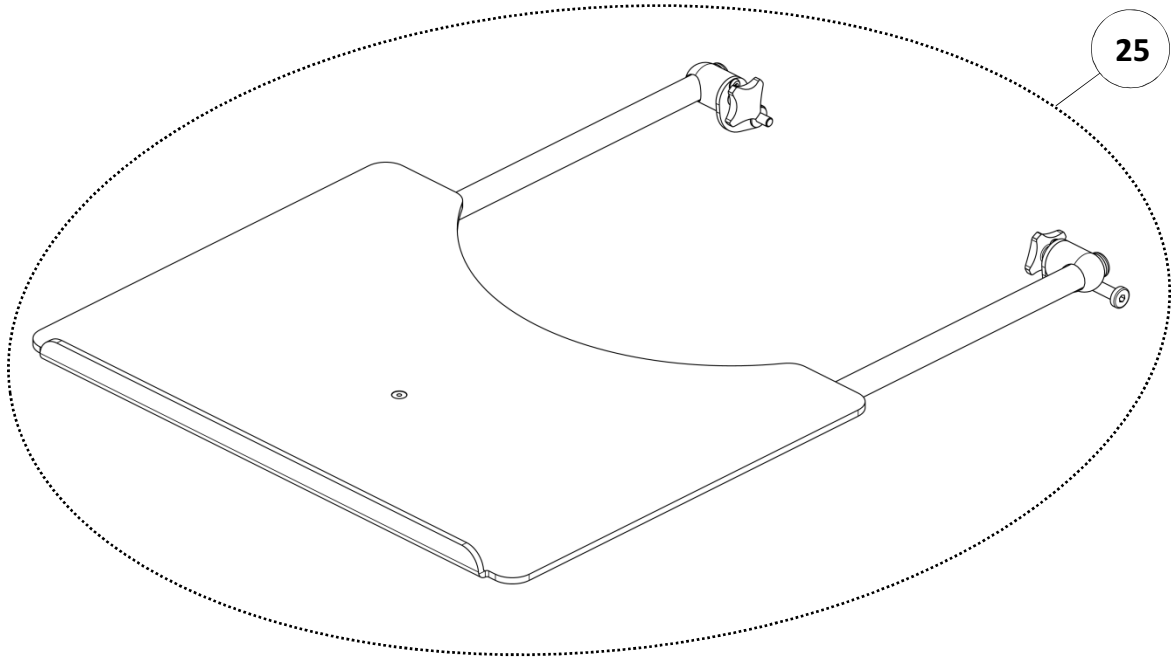
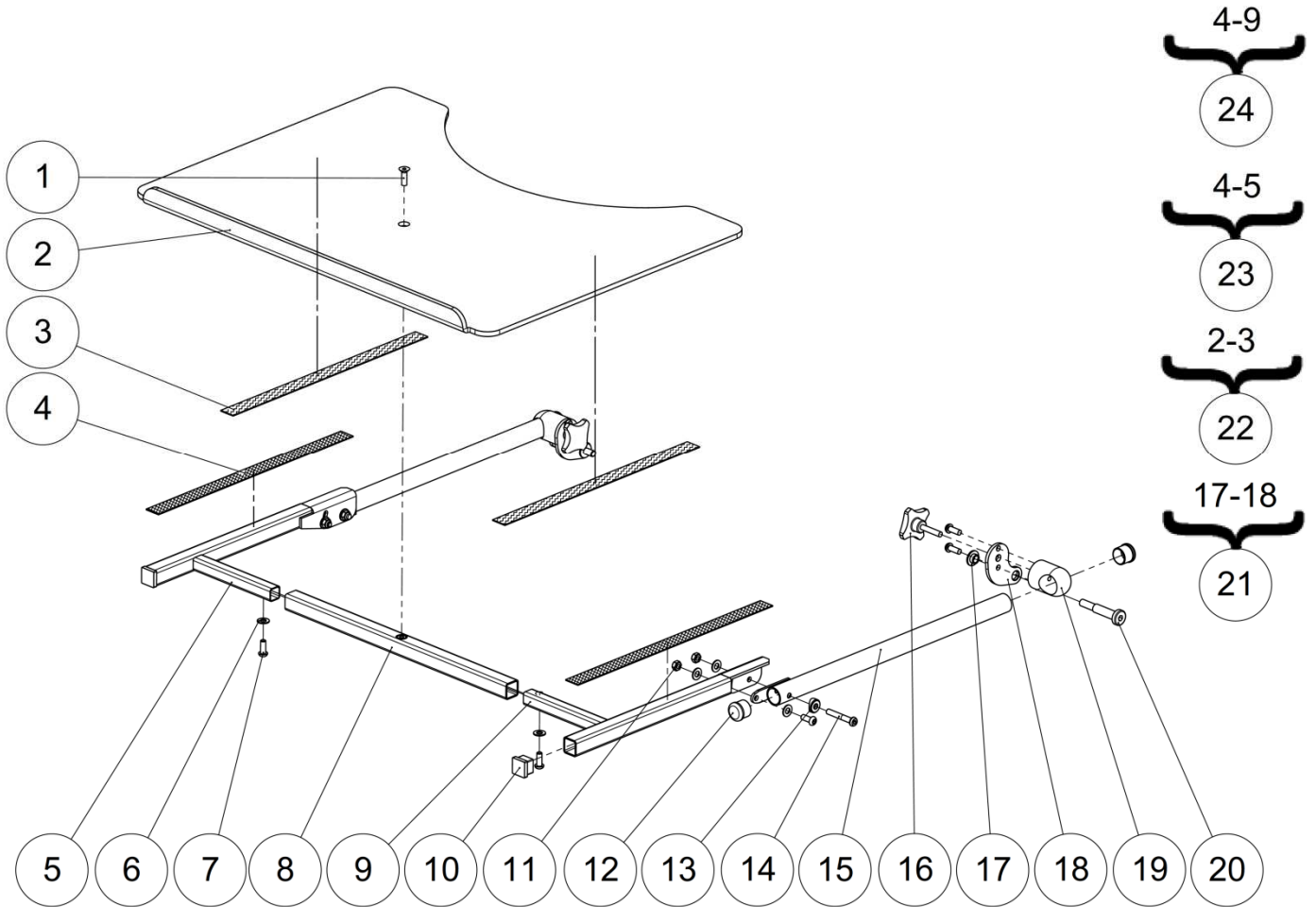
Headrest

Headrest

Pos	Qty	Stock Code	Description En	Description Fr	Remark
1	2	VIS-CHC8X50ZN	Hexagon socket head cap screw M8x50	Vis tête cylindrique M8x50 six pans creux	
2	2	L9037XXXAI	Adjustment rod	Barre réglage appui-tête	
3	2	RON-LL8ZN	Fender washer Ø8	Rondelle plate LL Ø8	
4	2		Casing Ø20	Douille expansive Ø20	NOT FOR SALE L9038XXXFO
5	1	L9039XXXPN	Headrest crossbar	Traverse appui-tête universelle	
6	1	P1823234	Head support bracket	Fixation appui-tête	
7	1	P1822868	Headrest cushion	Coussin appui-tête	
8	1	P1823235	Head support bracket backrest	Fixation appui-tête dossier	
9	2	C0214XXXFO	Nut cap M8	Cache écrou M8	
10	2	ECR-HFR8ZN	Prevailing torque type hexagon nut M8	Ecrou frein M8	
11	2	VIS-HC8X30ZN	Hexagon socket set screw M8x30	Vis sans tête M8x30 six pans creux	
12	2	VIS-HC8X10ZN	Hexagon socket set screw M8x10	Vis sans tête M8x10 six pans creux	
13	4	RON-M8ZN	Plain washer Ø8	Rondelle plate M Ø8	
14	2	ECR-H8ZN	Hexagonal nut M8	Ecrou M8	
15	2	322865	Kit casing	Kit douille expansive	For one side
16	1	L9029XXXFO	Belt fixing kit	Kit fixation harnais	
17	1	322866	Kit headrest	Kit appui-tête	
18	2	L9028XXXFO	Permobil headrest	Permobil headrest	

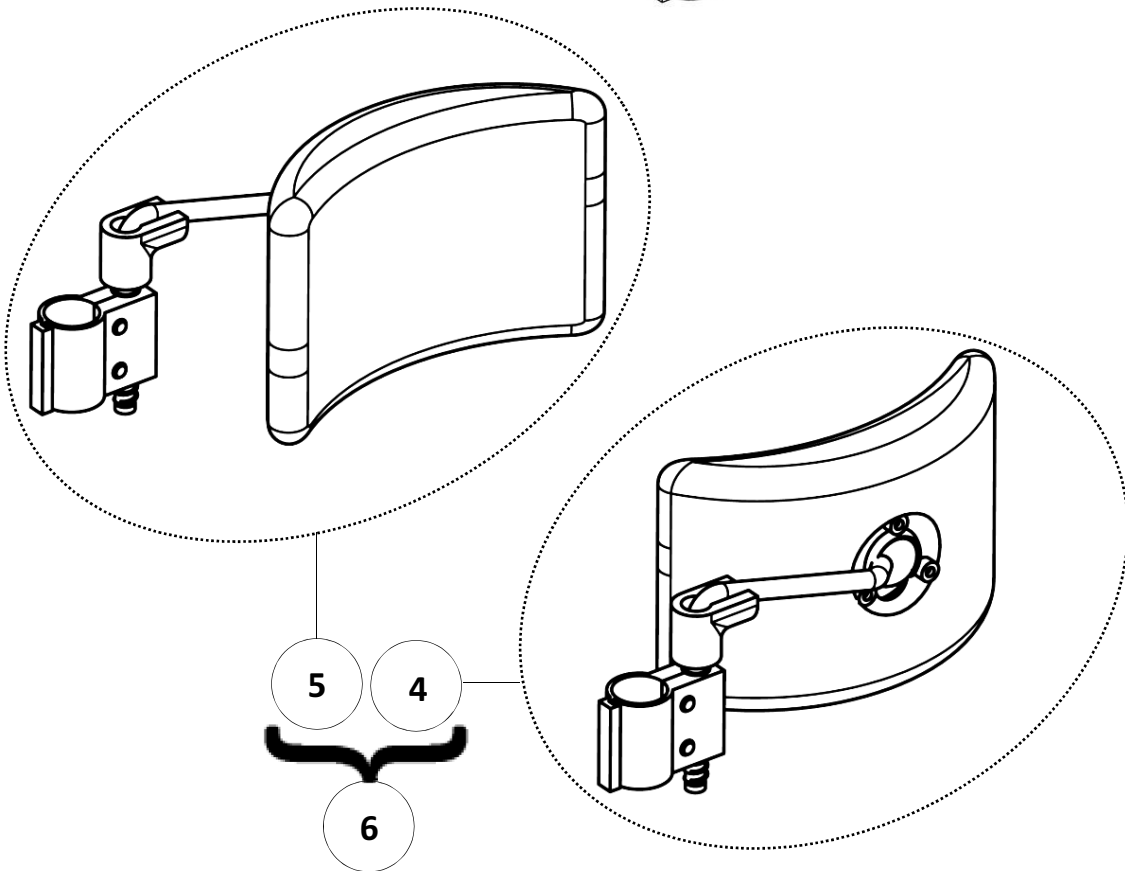
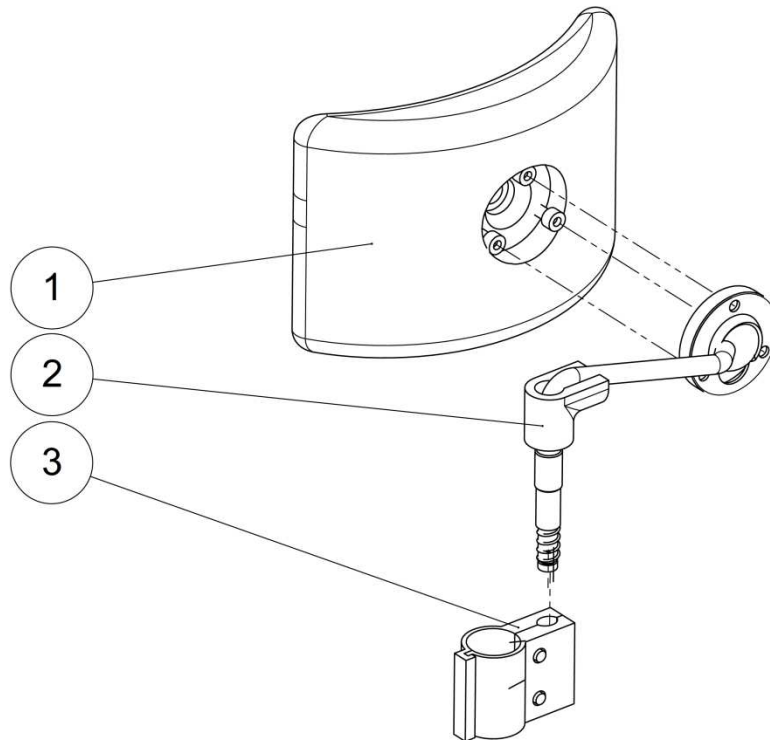
Backrest

Worktable



Worktable

Pos	Qty	Stock Code	Description En	Description Fr	Remark
1	1	VIS-FHC6X20ZN	Hexagon socket countersunk head screw M6x20	Vis tête fraisée M6x20 six pans creux	
2	1		Tray Table	Tablette	NOT FOR SALE L9001XXXFO
3	0.032		Black Velcro strap sticker 2cm-0.7" hook 20 meters long	Velcro adhesif crochet noir 2cm de 20 mètres	NOT FOR SALE L6050CROFO
4	0.032		Black Velcro strap sticker 2cm-0.7" velvet 20 meters long	Velcro adhesif velours noir 2cm de 20 mètres	NOT FOR SALE L6050VELFO
5	1		Right support tube tray	Tube appui tablette droit	NOT FOR SALE L9002RXXCR
6	8	RON-M6ZN	Plain washer Ø6	Rondelle plate M Ø6	
7	8	VIS-CBHC6X16ZN	Hexagon socket button head screw M6x16	Vis tête bombée M6x16 six pans creux	
8	1	L9004XXXPN	Tray support joint tube	Traverse sous tablette	
9	1		Left support tube tray	Tube appui tablette gauche	NOT FOR SALE L9002LXXCR
10	2	L0002020FO	Black cap for tube 20x20	Bouchon plastique noir 20x20	
11	4	ECR-HFR6ZN	Prevailing torque type hexagon nut M6	Ecrou frein M6	
12	2	L0005221FO	Black cap for tube Ø22.1mm	Bouchon plastique noir pour tube Ø22.1mm	
13	2	L0002221AI	Concave washer for tube Ø22.1mm	Coupelle pour tube Ø22.1mm	
14	2	VIS-CBHC6X40ZN	Hexagon socket button head screw M6x40	Vis tête bombée M6x40 six pans creux	
15	2	L9003XXXCR	Depth adjustment tube	Tube de réglage chromé blanc	
16	2	L0020XXXFO	adjustment knob M8x20	Poignée quadro M8x20	
17	2	L9112XXXZN	Tray table spacer	Entretoise pour tablette	
18	2		Tray table support	Support tablette	NOT FOR SALE L9110XXXPN
19	2	L9111XXXAI	Tray table nut	Noix de tablette	
20	2	L9113XXXZN	Special axle	Axe épaulé accoudoir	
21	1	322867	Kit tray table bracket left	Kit plaque tablette gauche	
	1	322868	Kit tray table bracket right	Kit plaque tablette droite	
22	1	322945	Kit tray table + velcro	Kit tablette + Velcro	Specify wheelchair size
23	1	322943	Kit support tube + velcro right	Kit tube support + velcro droit	
24	1	322944	Kit support tube + velcro left	Kit tube support + velcro gauche	
25	1	L9100XXXFO	Kit complete tray set	Kit tablette	Specify wheelchair size





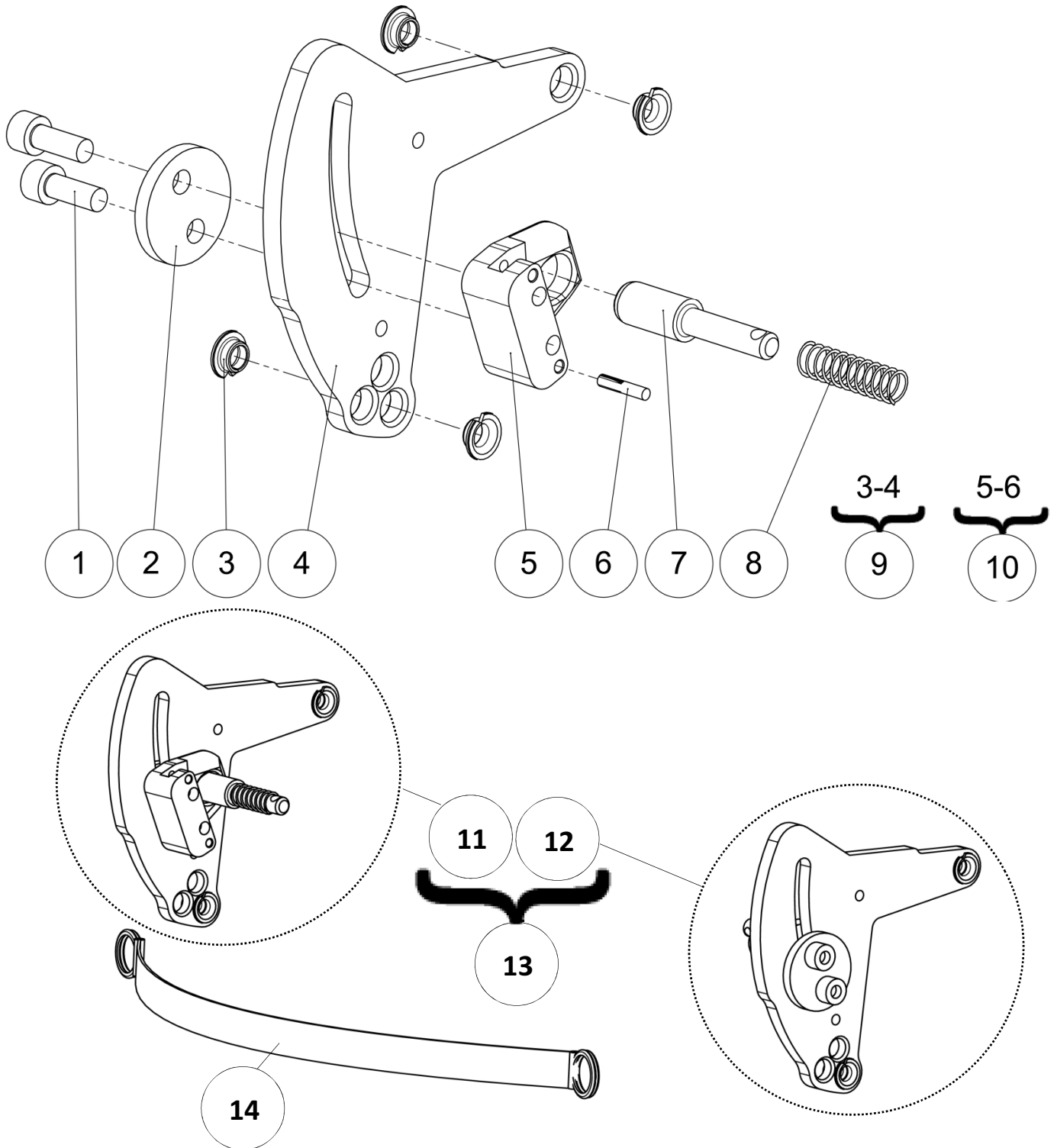
Backrest

Trunk support

Trunk support					
Pos	Qty	Stock Code	Description En	Description Fr	Remark
1	1	L9070XXXFO	Thoracic support cushion	Coussin soutien thoracique	
2	1	L9071RXXFO	Right trunk support	Support cale tronc droit	
	1	L9071LXXFO	Left trunk support	Support cale tronc gauche	
3	1	L9074XXXFO	Fixing tube Ø22.2 for trunk support	Bride de fixation tube Ø22.2 cale tronc	
4	1	L9079RXXFO	Kit trunk support right	Kit cale tronc droit	
5	1	L9079LXXFO	Kit trunk support left	Kit cale tronc gauche	
6	1	L9079XXXFO	Kit trunk support (pair)	Kit cale tronc (paire)	

Trunk support					
Pos	Qty	Stock Code	Description En	Description Fr	Remark
1	1	L9070XXXFO	Thoracic support cushion	Coussin soutien thoracique	
2	1	L9071RXXFO	Right trunk support	Support cale tronc droit	
	1	L9071LXXFO	Left trunk support	Support cale tronc gauche	
3	1	L9074XXXFO	Fixing tube Ø22.2 for trunk support	Bride de fixation tube Ø22.2 cale tronc	
4	1	L9079RXXFO	Kit trunk support right	Kit cale tronc droit	
5	1	L9079LXXFO	Kit trunk support left	Kit cale tronc gauche	
6	1	L9079XXXFO	Kit trunk support (pair)	Kit cale tronc (paire)	

Side hub

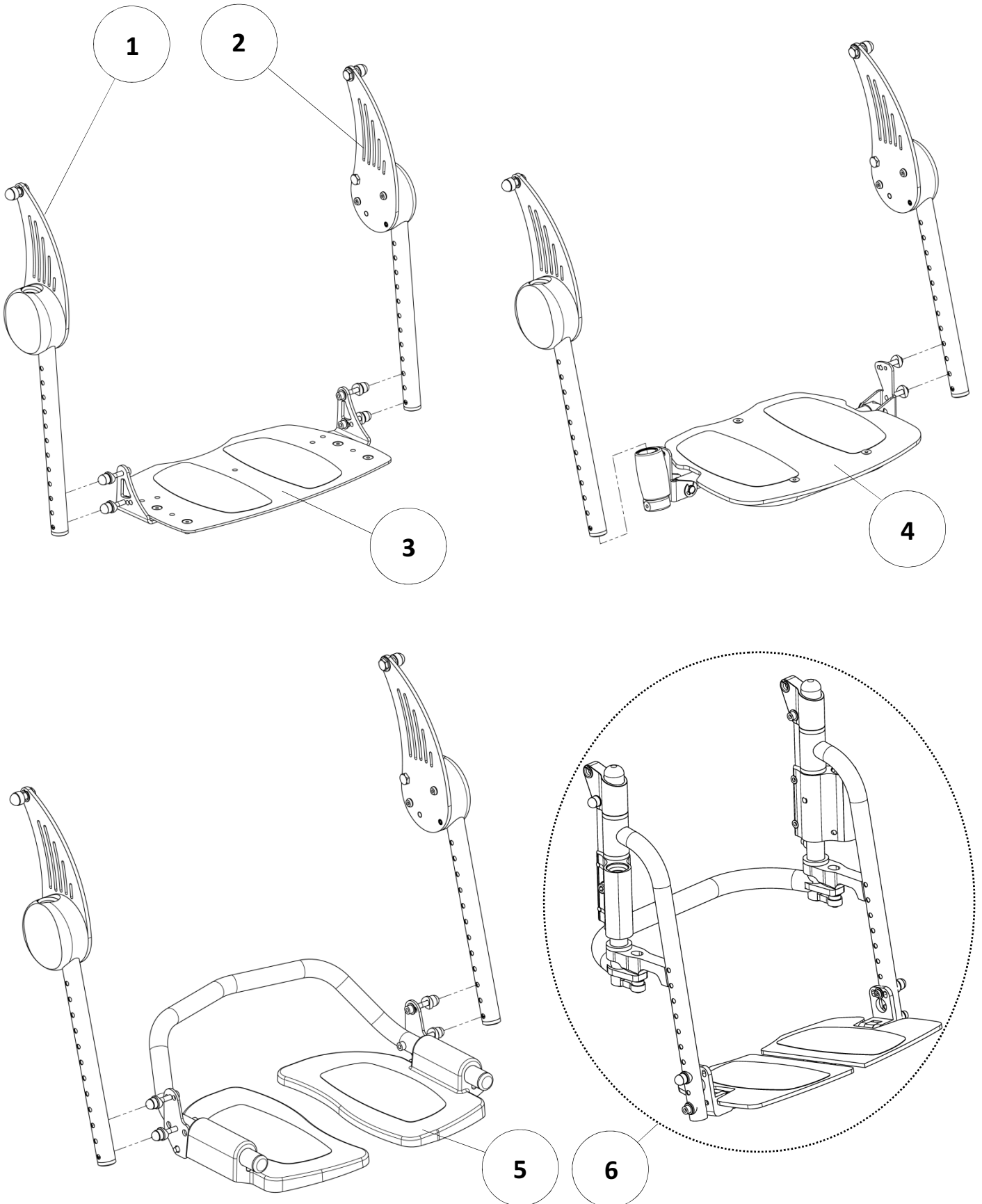


Side hub

Side hub

Pos	Qty	Stock Code	Description En	Description Fr	Remark
1	4	VIS-CHC6X16ZN	Hexagon socket head cap screw M6x16	Vis tête cylindrique M6x16 six pans creux	
2	2	L4109XXXPN	Locking plate backrest	Plaquette verrou dossier	
3	8	L0007060FO	Collar bearing 6x8x4mm	Coussinet à collerette 6x8x4mm	
4	2		Backrest plate	Joue pour dossier	NOT FOR SALE L1101XXXAI
5	2		Backrest locking block	Bloc verrou dossier	NOT FOR SALE L4108XXXZN
6	2	GOU-CANN3X16BR	Fluted lock pin G02 Ø3x16mm	Goupille cannelée G02 Ø3x16mm	
7	2	L1106XXXZN	Backrest lock spindle	Axe verrouillage dossier	
8	2	A4009XXXFO	Backrest spring Ø8	Ressort de dossier Ø8	
9	2	322869	Kit side hub bracket	Kit plaque articulation dossier	
10	1	322870	Kit backrest blocking spindle left	Kit bloc de verrouillage gauche	
	1	322871	Kit backrest blocking spindle right	Kit bloc de verrouillage droit	
11	1	322872	Kit backrest hub left	Kit articulation de dossier gauche	
12	1	322873	Kit backrest hub right	Kit articulation de dossier droite	
13	1	322874	Kit backrest hub (pair)	Kit articulation de dossier (paire)	
14	1	L4003X36FO	Backrest cord size 36 cm	Cordelette dossier taille 36 cm	Lenght 260 mm
		L4003X40FO	Backrest cord size 40 cm	Cordelette dossier taille 40 cm	Lenght 300 mm
		L4003X44FO	Backrest cord size 44 cm	Cordelette dossier taille 44 cm	Lenght 340 mm
		L4003X48FO	Backrest cord size 48 cm	Cordelette dossier taille 48 cm	Lenght 380 mm

Legrest





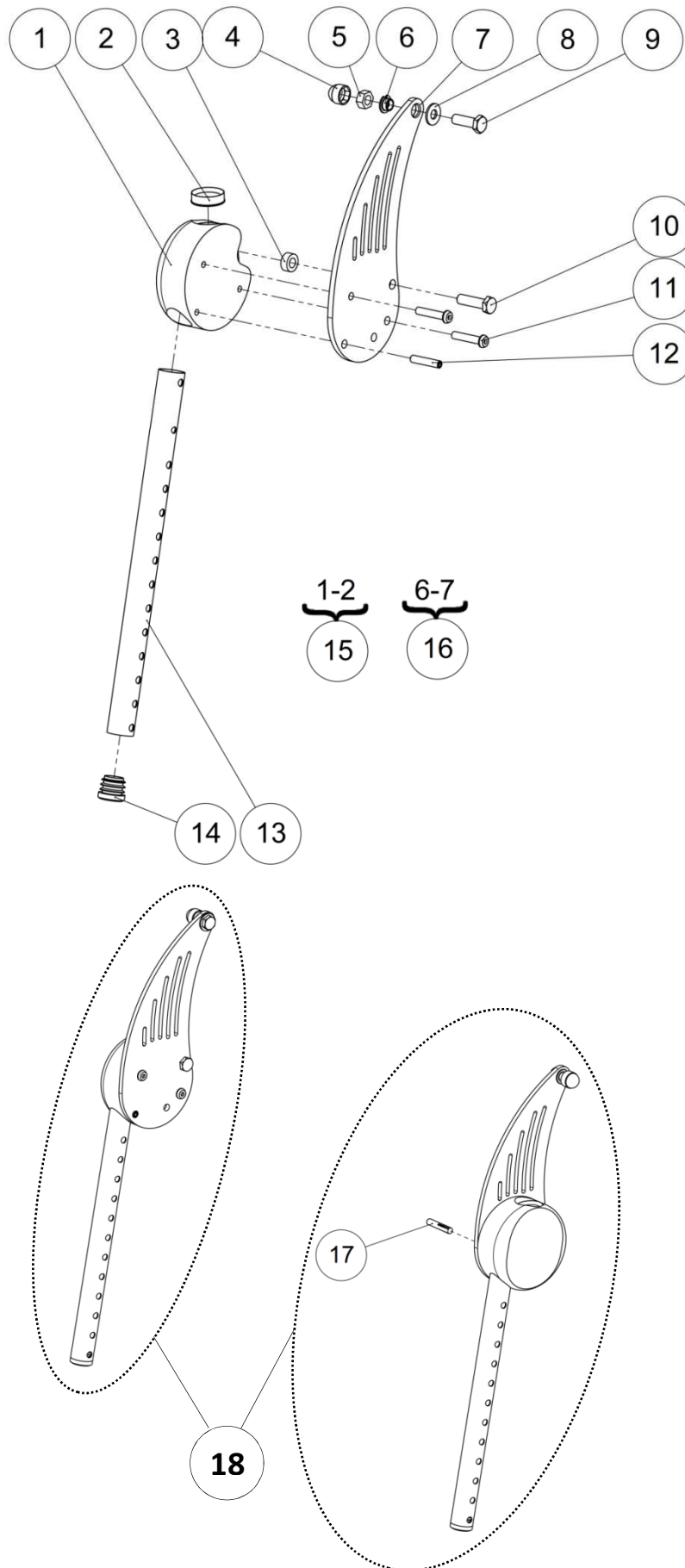
Legrest

Legrest

Pos	Qty	Stock Code	Description En	Description Fr	Remark
1	3		Footrest support right	Support jambier droit	See exploded view p.34
2	3		Footrest support left	Support jambier gauche	See exploded view p.34
3	1		Fixed footrest	Palette fixe	See exploded view p.36
4	1		Footrest flip up and fold away	Palette relevable escamotable	See exploded view p.38
5	1		Dual footrest flip up	Bi-palette relevable	See exploded view p.40
6	1		Dual footrest flip up and fold away	Bi-palette relevable escamotable	See exploded view p.42

Legrest

Footrest supports

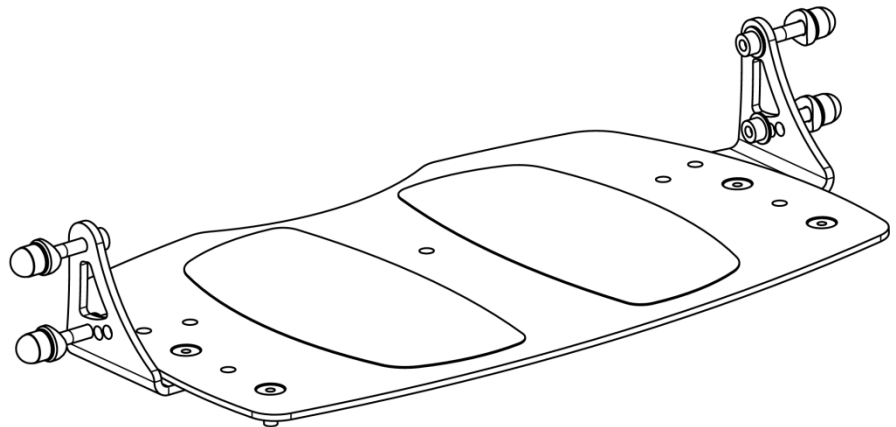
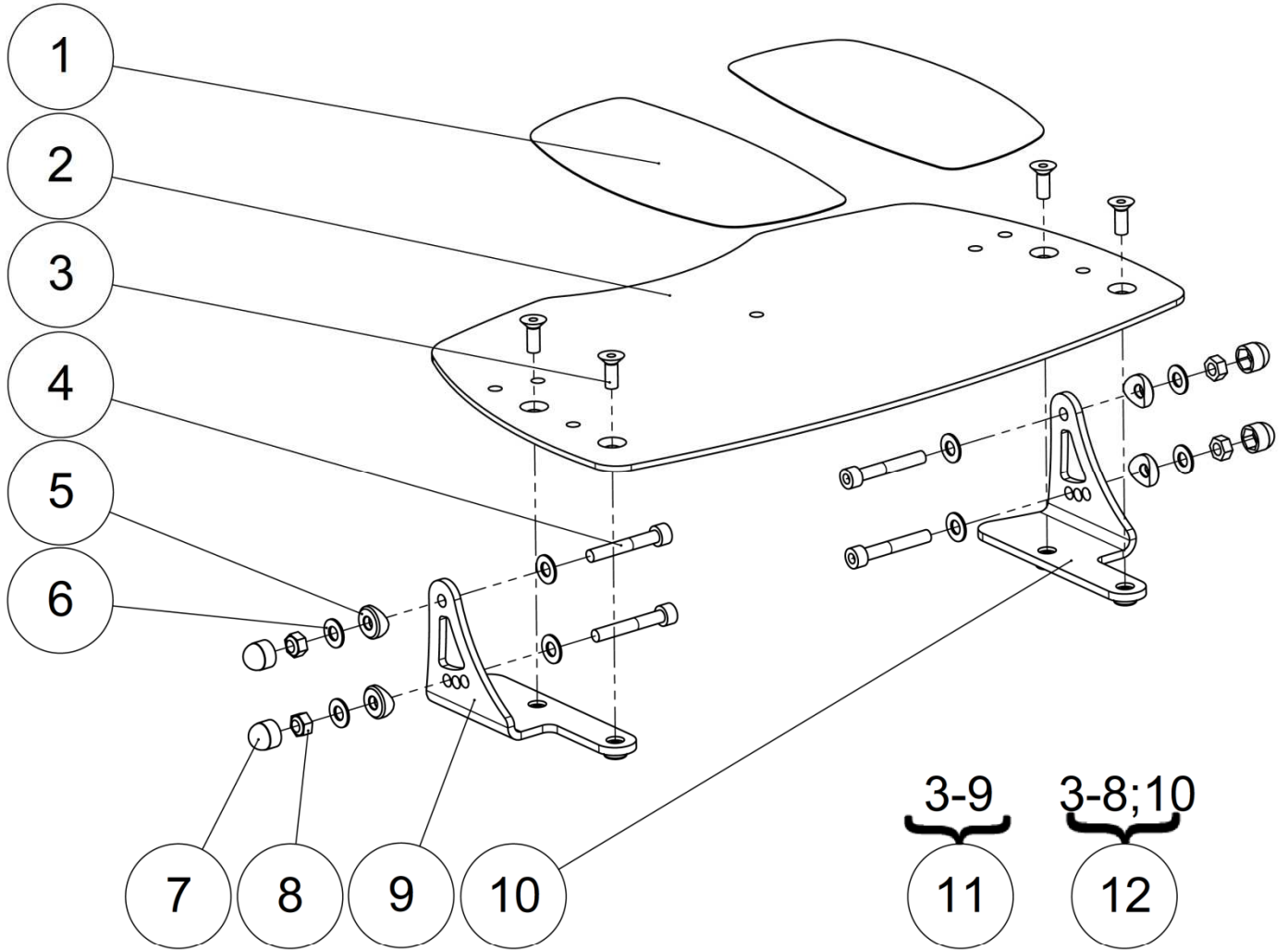


Legrest

Footrest supports

Footrest supports

Pos	Qty	Stock Code	Description En	Description Fr	Remark
1	1		Left footrest nut	Noix de jambier gauche	NOT FOR SALE
	1		Right footrest nut	Noix de jambier droit	NOT FOR SALE
2	2	L3035XXXFO	Sleeve-guide ring	Bague de guidage fourreau	
3	2	L0116XXXFO	Washer Ø8.2 th.6.3mm	Cale Ø8.2 ép.6.3mm	
4	2	C0214XXXFO	Nut cap M8	Cache écrou M8	
5	2	ECR-HFR8ZN	Prevailing torque type hexagon nut M8	Ecrou frein M8	
6	2	L0007080FO	Collar bearing 8x10x5.5mm	Coussinet a collerette 8x10x5.5mm	
7	2		Footrest side plate	Joue repose pied	NOT FOR SALE L3120XXXAI
8	2	RON-M8ZN	Plain washer Ø8	Rondelle plate M Ø8	
9	2	L0018XXXZN	Axle 8x25mm	Axe 8x25mm	
10	2	L0117XXXZN	Screw M8-30-11.5	Axe M8-30-11.5	
11	4	VIS-CBHC6X30ZN	Hexagon socket button head screw M6x30	Vis tête bombée M6x30 six pans creux	
12	2	VIS-HC6X30ZN	Hexagon socket set screw M6x30	Vis sans tête M6x30 six pans creux	
13	2	L3106XXXPN	Footrest tube	Montant repose pied	
14	2	L0005221FO	Black cap for tube Ø22.1mm	Bouchon plastique noir pour tube Ø22.1mm	
15	1	L3121RXXAI	Left sleeve footrest support	Noix de jambier gauche	
	1	L3121LXXAI	Right sleeve footrest support	Noix de jambier droit	
16	1	322875	Kit footrest support bracket right	Kit plaque support palette droit	
	1	322876	Kit footrest support bracket left	Kit plaque support palette gauche	
17	1	GOU-CANN6X35BR	Fluted lock pin G02 Ø6x35mm	Goupille cannelée G02 Ø6X35mm	
18	1	L9154XXXFO	Kit footrest support (pair)	Kit support jambier (paire)	





Legrest

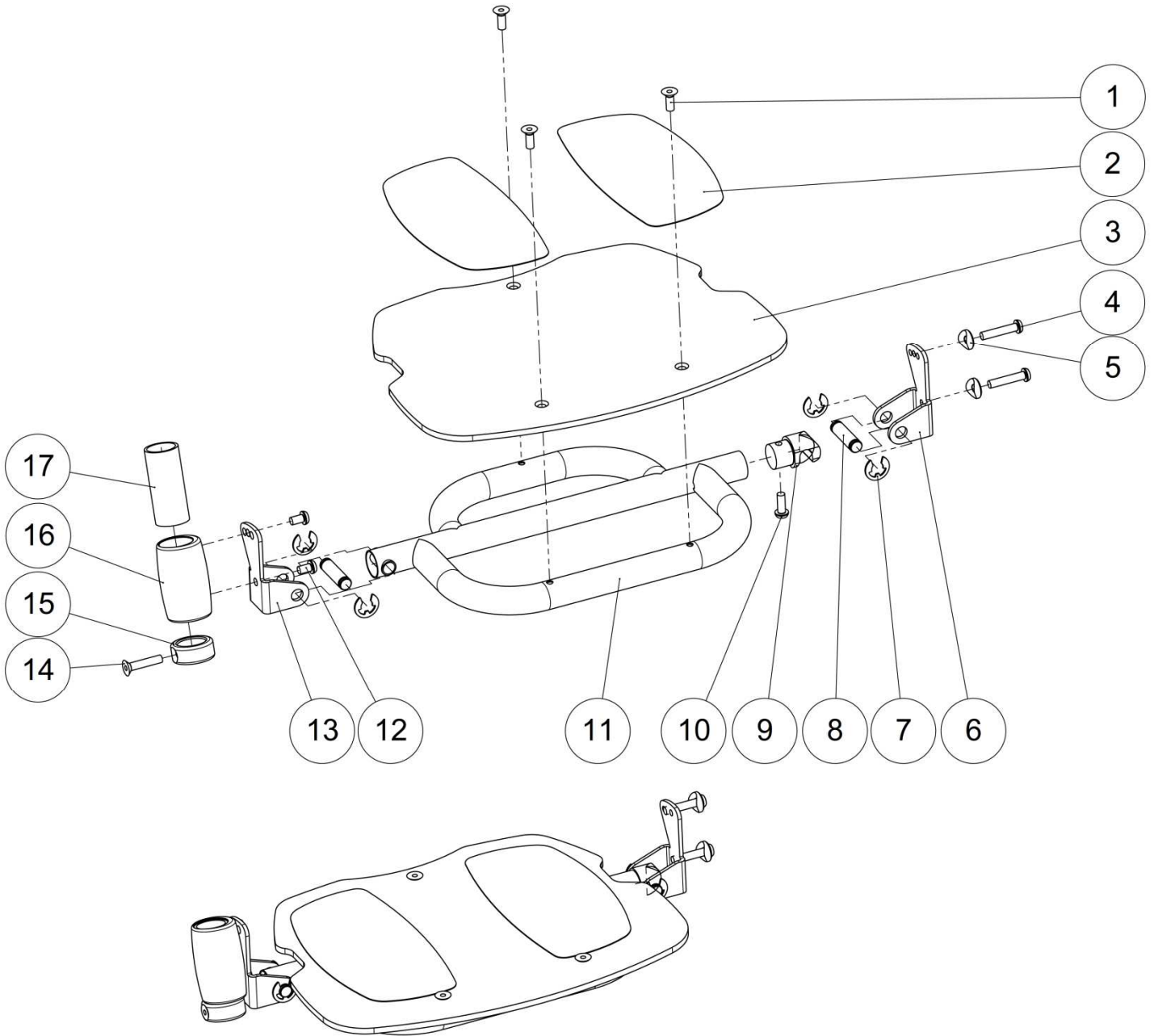
Fixed footrest

Fixed footrest

Pos	Qty	Stock Code	Description En	Description Fr	Remark
1	2	F0030XXXFO	Anti skid sticker	Antidérapant prédécoupé	
		L1230X36FO	Aluminium footplate size 36 cm	Palette aluminium taille 36 cm	
		L1230X40FO	Aluminium footplate size 40 cm	Palette aluminium taille 40 cm	
2	1	L1230X44FO	Aluminium footplate size 44 cm	Palette aluminium taille 44 cm	
		L1230X48FO	Aluminium footplate size 48 cm	Palette aluminium taille 48 cm	
3	4	VIS-FHC6X16ZN	Hexagon socket countersunk head screw M6x16	Vis tête fraisée M6x16 six pans creux	
4	4	VIS-CHC6X40ZN	Hexagon socket head cap screw M6x40	Vis tête cylindrique M6x40 six pans creux	
5	4	L0002221AI	Concave washer for tube Ø22.1mm	Coupelle pour tube Ø22.1mm	
6	8	RON-M6ZN	Plain washer Ø6	Rondelle plate M Ø6	
7	4	C0215XXXFO	Nut cap M6	Cache écrou M6	
8	4	ECR-HFR6ZN	Prevailing torque type hexagon nut M6	Ecrou frein M6	
9	1	L3102RXXPN	Right footrest bracket	Equerre droite repose pied	
10	1	L3102LXXPN	Left footrest bracket	Equerre gauche repose pied	
11	1	322877	Kit fixation footrest right	Kit de fixation palette droit	
12	1	322878	Kit fixation footrest left	Kit de fixation palette gauche	

Legrest

Footrest flip up and fold away



Legrest

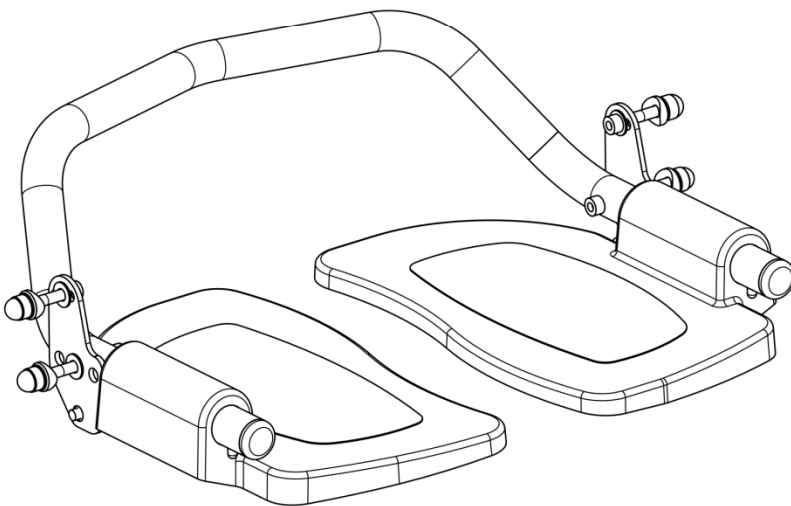
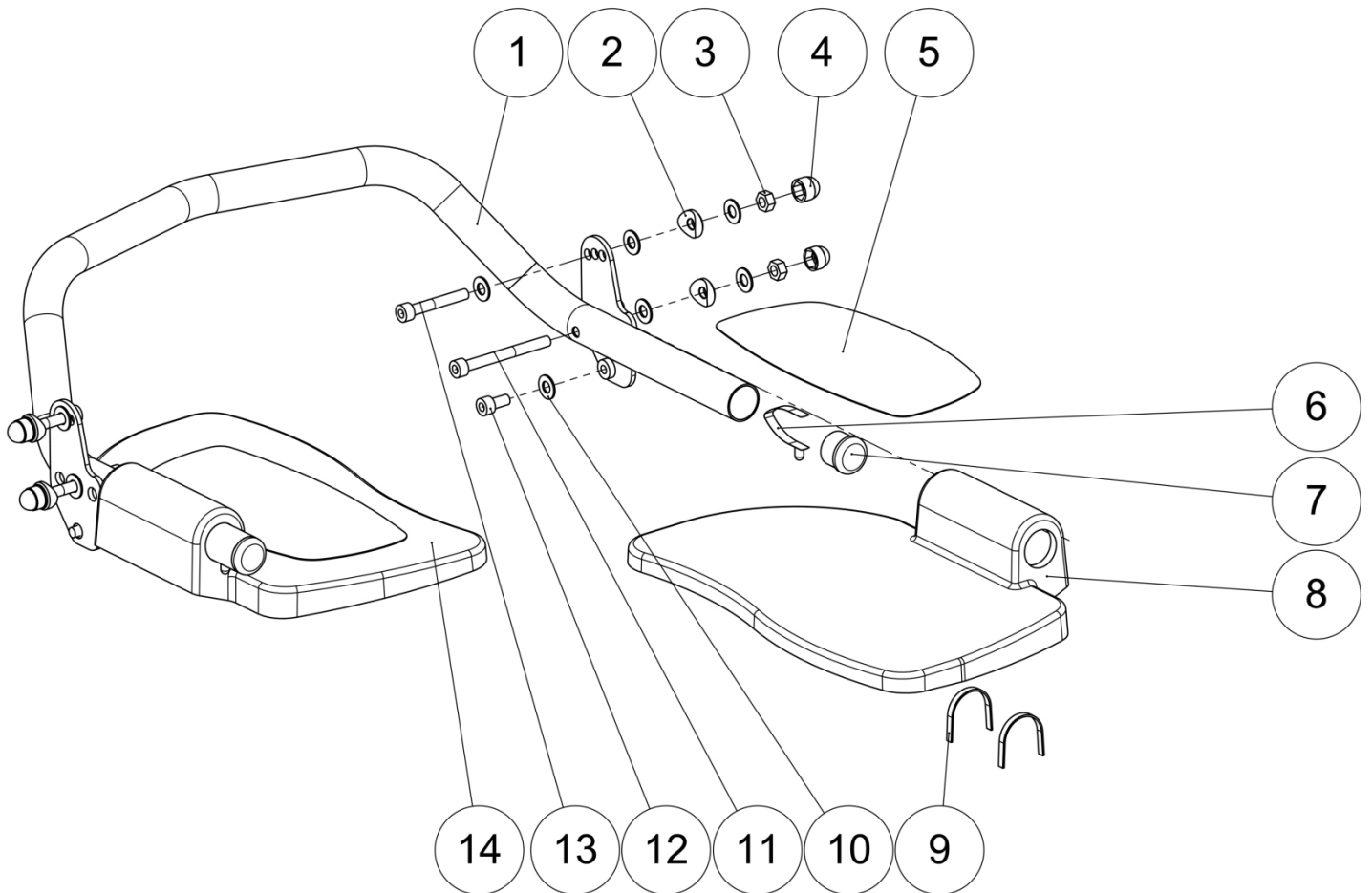
Footrest flip up and fold away

Footrest flip up and fold away

Pos	Qty	Stock Code	Description En	Description Fr	Remark
1	3	VIS-FHC6X16ZN	Hexagon socket countersunk head screw M6x16	Vis tête fraisée M6x16 six pans creux	
2	2	F0030XXXFO	Anti skid sticker	Antidérapant prédécoupé	
3	1	L3103E36FO	Monobloc footplate plastic size 36 cm	Palette monobloc plastique taille 36 cm	
		L3103E40FO	Monobloc footplate plastic size 40 cm	Palette monobloc plastique taille 40 cm	
		L3103E44FO	Monobloc footplate plastic size 44 cm	Palette monobloc plastique taille 44 cm	
4	2	VIS-CBHC6X30ZN	Hexagon socket button head screw M6x30	Vis tête bombée M6x30 six pans creux	
5	2	L0002221AI	Concave washer for tube Ø22.1mm	Coupelle pour tube Ø22.1mm	
6	1	L3101LXXPN	Left footrest clevis	Chape gauche repose pied	
7	4	ANN-RAD10RENFO	E-type reinforced ring Ø10	Anneau-E radial renforcé Ø10	
8	2	L3002XXXZN	Foot-rest fork joint spindle	Axe chape repose pieds	
9	1	L3005XXXAI	Fork-joint lug for foot-rest	Tenon de chape repose pieds	
10	1	VIS-CBHC6X16ZN	Hexagon socket button head screw M6x16	Vis tête bombée M6x16 six pans creux	
11	1	L3104X36PN	Fixed footrest support tube size 36 cm	Support palette monobloc taille 36 cm	
		L3104X40PN	Fixed footrest support tube size 40 cm	Support palette monobloc taille 40 cm	
		L3104X44PN	Fixed footrest support tube size 44 cm	Support palette monobloc taille 44 cm	
		L3104X48PN	Fixed footrest support tube size 48 cm	Support palette monobloc taille 48 cm	
12	2	VIS-CBHC6X10ZN	Hexagon socket button head screw M6x10	Vis tête bombée M6x10 six pans creux	
13	1	L3101RXXPN	Footrest right clevis	Chape droite repose pied	
14	1	VIS-FHC6X30ZN	Hexagon socket countersunk head screw M6x30	Vis tête fraisée M6x30 six pans creux	
15	1	L3109XXXAI	Footrest blocking ring	Bague blocage repose pieds	
16	1	L3107XXXAI	Footrest bushing	Fourreau repose pieds	
17	1	L3108XXXAI	Footrest plastic guide	Palier repose pieds	

Legrest

Dual footrest flip up



Legrest

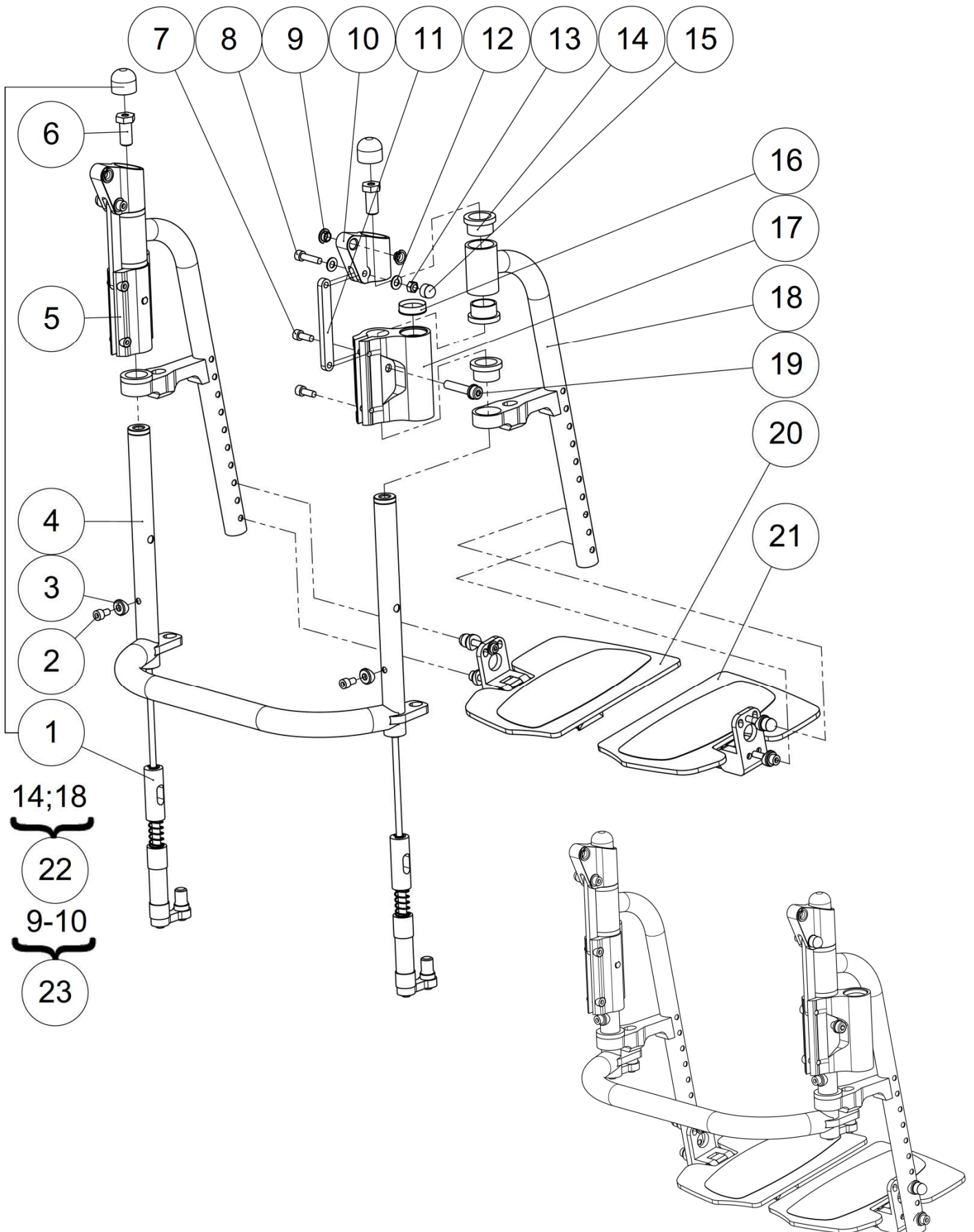
Dual footrest flip up

Dual footrest flip up

Pos	Qty	Stock Code	Description En	Description Fr	Remark
1	1	L3150X36PN	Dual footrest support tube size 36 cm	Support bi-palette taille 36 cm	
		L3150X40PN	Dual footrest support tube size 40 cm	Support bi-palette taille 40 cm	
		L3150X44PN	Dual footrest support tube size 44 cm	Support bi-palette taille 44 cm	
		L3150X48PN	Dual footrest support tube size 48 cm	Support bi-palette taille 48 cm	
2	4	L0002221AI	Concave washer for tube Ø22.1mm	Coupelle pour tube Ø22.1mm	
3	4	ECR-HFR6ZN	Prevailing torque type hexagon nut M6	Ecrou frein M6	
4	4	C0215XXXFO	Nut cap M6	Cache écrou M6	
5	2	F0030XXXFO	Anti skid sticker	Antidérapant prédécoupé	
6	2	L0022XXXFO	Pawl D6-LG7	Cliquet D6-LG7	
7	2	L0005221FO	Black cap for tube Ø22.1mm	Bouchon plastique noir pour tube Ø22.1mm	
8	1	L3151LXXPN	Footplate flip up left size 36-40 cm	Mono palette gauche taille 36-40 cm	
		L3152LXXPN	Footplate flip up left size 44-48 cm	Mono palette gauche taille 44-48 cm	
9	4	L0027XXXFO	Alu footplate slide spring	Lame ressort palette alu	
10	12	RON-M6ZN	Plain washer Ø6	Rondelle plate M Ø6	
11	2	VIS-CHC6X60ZN	Hexagon socket head cap screw M6x60	Vis tête cylindrique M6x60 six pans creux	
12	2	VIS-CHC6X12ZN	Hexagon socket head cap screw M6x12	Vis tête cylindrique M6x12 six pans creux	
13	2	VIS-CHC6X40ZN	Hexagon socket head cap screw M6x40	Vis tête cylindrique M6x40 six pans creux	
14	1	L3151RXXPN	Footplate flip up right size 36-40 cm	Mono palette droite taille 36-40 cm	
		L3152RXXPN	Footplate flip up right size 44-48 cm	Mono palette droite taille 44-48 cm	

Legrest

Dual footrest flip up and fold away



Legrest

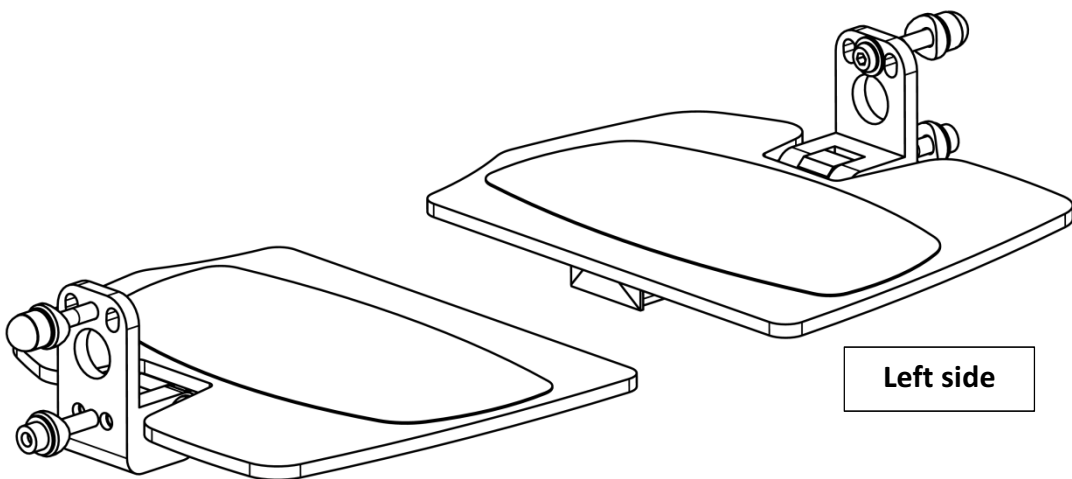
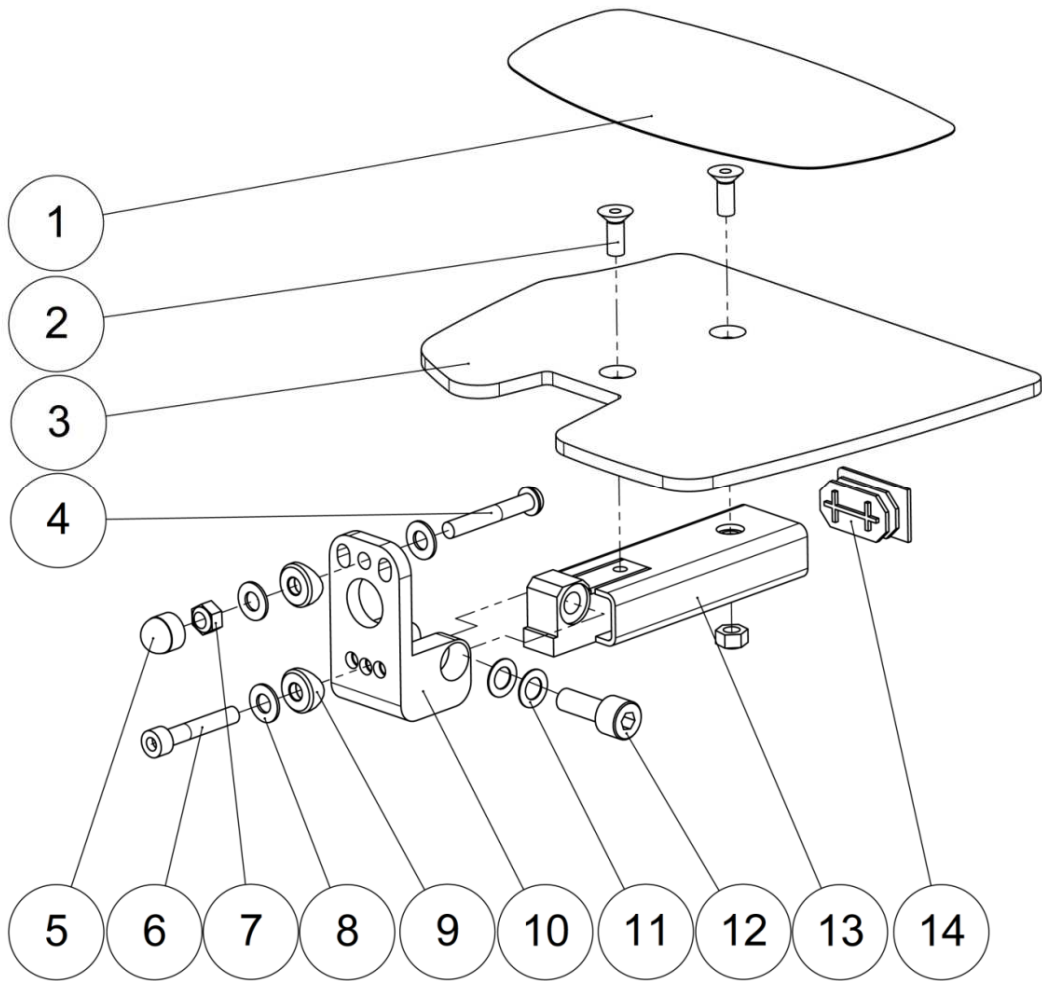
Dual footrest flip up and fold away

Dual footrest flip up and fold away

Pos	Qty	Stock Code	Description En	Description Fr	Remark
1	2		Dual footrest flip up and fold away rod	Tige bi-palette relevable escamotable	See exploded view p.46
2	2	VIS-CHC6X10ZN	Hexagon socket head cap screw M6x10	Vis tête cylindrique M6x10 six pans creux	
3	2	L0002221AI	Concave washer for tube Ø22.1mm	Coupelle pour tube Ø22.1mm	
4	1	L3162X36PN	Legrest reinforcement stirrup size 36 cm	Berceau de jambier taille 36 cm	
		L3162X40PN	Legrest reinforcement stirrup size 40 cm	Berceau de jambier taille 40 cm	
		L3162X44PN	Legrest reinforcement stirrup size 44 cm	Berceau de jambier taille 44 cm	
		L3162X48PN	Legrest reinforcement stirrup size 48 cm	Berceau de jambier taille 48 cm	
5	1	L3167LXXAI	Left sleeve support	Fourreau gauche	
6	2	L3164XXXZN	Upper guide	Guide supérieur	
7	4	VIS-CHC6X16ZN	Hexagon socket head cap screw M6x16	Vis tête cylindrique M6x16 six pans creux	
8	2	VIS-CHC6X25ZN	Hexagon socket head cap screw M6x25	Vis tête cylindrique M6x25 six pans creux	
9	4	L0007080FO	Collar bearing 8x10x5.5mm	Coussinet a collerette 8x10x5.5mm	
10	2		Upper pivot	Pivot supérieur	NOT FOR SALE L3168XXXAI
11	2	L3171XXXZN	Contact tie-rod	Tirant de liaison	
12	4	RON-M6ZN	Plain washer Ø6	Rondelle plate M Ø6	
13	2	ECR-HFR6ZN	Prevailing torque type hexagon nut M6	Ecrou frein M6	
14	6	L3176XXXZN	Guide ring	Bague de guidage	
15	2	C0215XXXFO	Nut cap M6	Cache écrou M6	
16	2	L3035XXXFO	Sleeve-guide ring	Bague de guidage fourreau	
17	1	L3167RXXAI	Right sleeve support	Fourreau droit	
18	2		Footrest tube	Montant repose pied	NOT FOR SALE L3166XXXPN
19	2	L3178XXXZN	Screw M8	Vis M8	
20	1		Dual footrest flip up and fold away plate left	Palette relevable escamotable gauche	See exploded view p.44
21	1		Dual footrest flip up and fold away plate right	Palette relevable escamotable droit	See exploded view p.44
22	1	322879	Kit footrest tube (unit)	Kit montant repose pied (l'unité)	
23	1	322880	Kit upper pivot (unit)	Kit pivot supérieur (l'unité)	

Legrest

Dual footrest flip up and fold away plates



Right side

Left side

Legrest

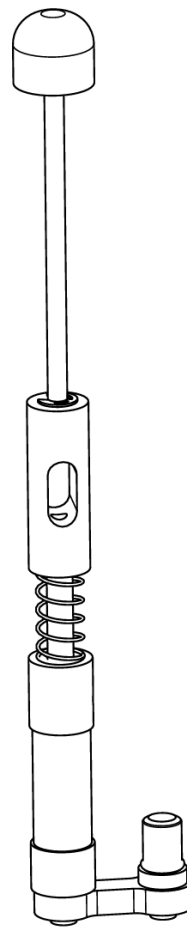
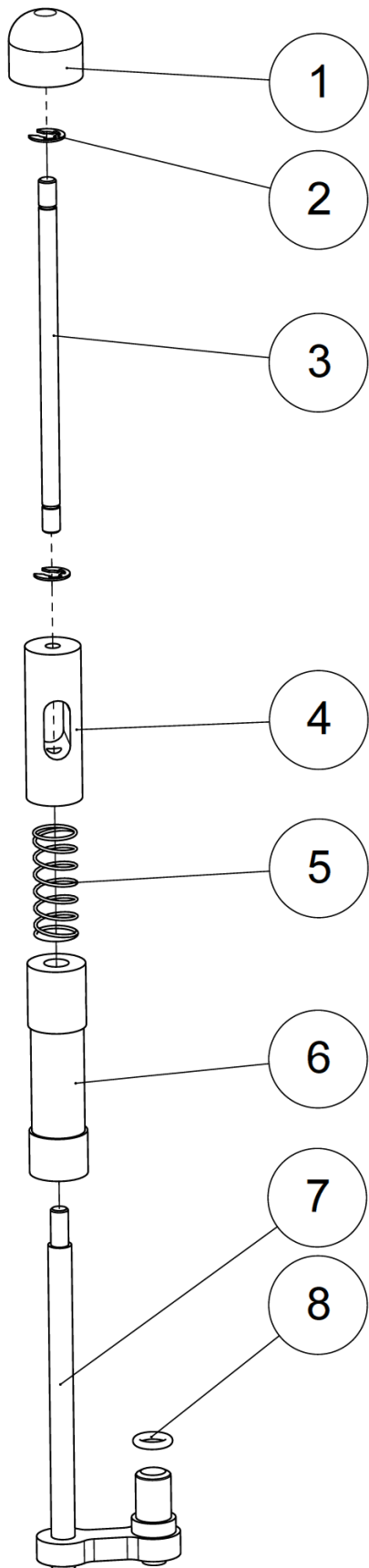
Dual footrest flip up and fold away plates

Dual footrest flip up and fold away plates

Pos	Qty	Stock Code	Description En	Description Fr	Remark
1	2	F0030XXXFO	Anti skid sticker	Antidérapant prédécoupé	
2	4	VIS-FHC6X12ZN	Hexagon socket countersunk head screw M6x12	Vis tête fraisée M6x12 six pans creux	
3	1	L3163L36PN	Footplate left size 36 cm	Palette gauche taille 36 cm	
		L3163L40PN	Footplate left size 40 cm	Palette gauche taille 40 cm	
		L3163L44PN	Footplate left size 44 cm	Palette gauche taille 44 cm	
		L3163L48PN	Footplate left size 48 cm	Palette gauche taille 48 cm	
	1	L3163R36PN	Footplate right size 36 cm	Palette droite taille 36 cm	
		L3163R40PN	Footplate right size 40 cm	Palette droite taille 40 cm	
		L3163R44PN	Footplate right size 44 cm	Palette droite taille 44 cm	
		L3163R48PN	Footplate right size 48 cm	Palette droite taille 48 cm	
4	2	VIS-CBHC6X40ZN	Hexagon socket button head screw M6x40	Vis tête bombée M6x40 six pans creux	
5	2	C0215XXXFO	Nut cap M6	Cache écrou M6	
6	2	VIS-CHC6X35ZN	Hexagon socket head cap screw M6x35	Vis tête cylindrique M6x35 six pans creux	
7	4	ECR-HFR6ZN	Prevailing torque type hexagon nut M6	Ecrou frein M6	
8	6	RON-M6ZN	Plain washer Ø6	Rondelle plate M Ø6	
9	4	L0002221AI	Concave washer for tube Ø22.1mm	Coupelle pour tube Ø22.1mm	
10	2	L3161XXXZN	Separate footplate hinge	Charnière bi-palette	
11	4	RON-Z8FINEPLAS	Nylon washer Ø8.1x14x0.5mm	Rondelle plate nylon Ø8.1x14x0.5mm	
12	2	L3177XXXZN	Double footplate axle	Axe bi palette	
13	2	L3169X40ZN	Separate footplate basculing size 36-40 cm	Basculeur bi palette taille 36-40 cm	
		L3169X44ZN	Separate footplate basculing size 44-48 cm	Basculeur bi palette taille 44-48 cm	
14	2	L0003520FO	Black cap for tube 35x20	Bouchon plastique noir 35x20	

Legrest

Dual footrest flip up and fold away rod





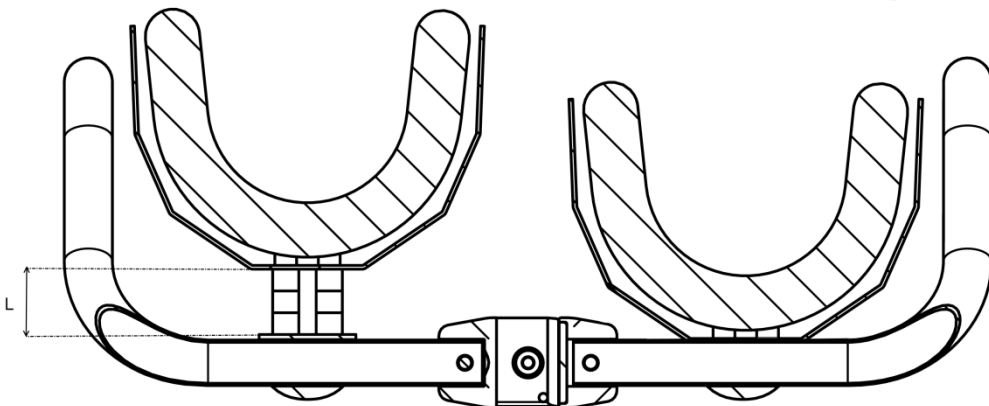
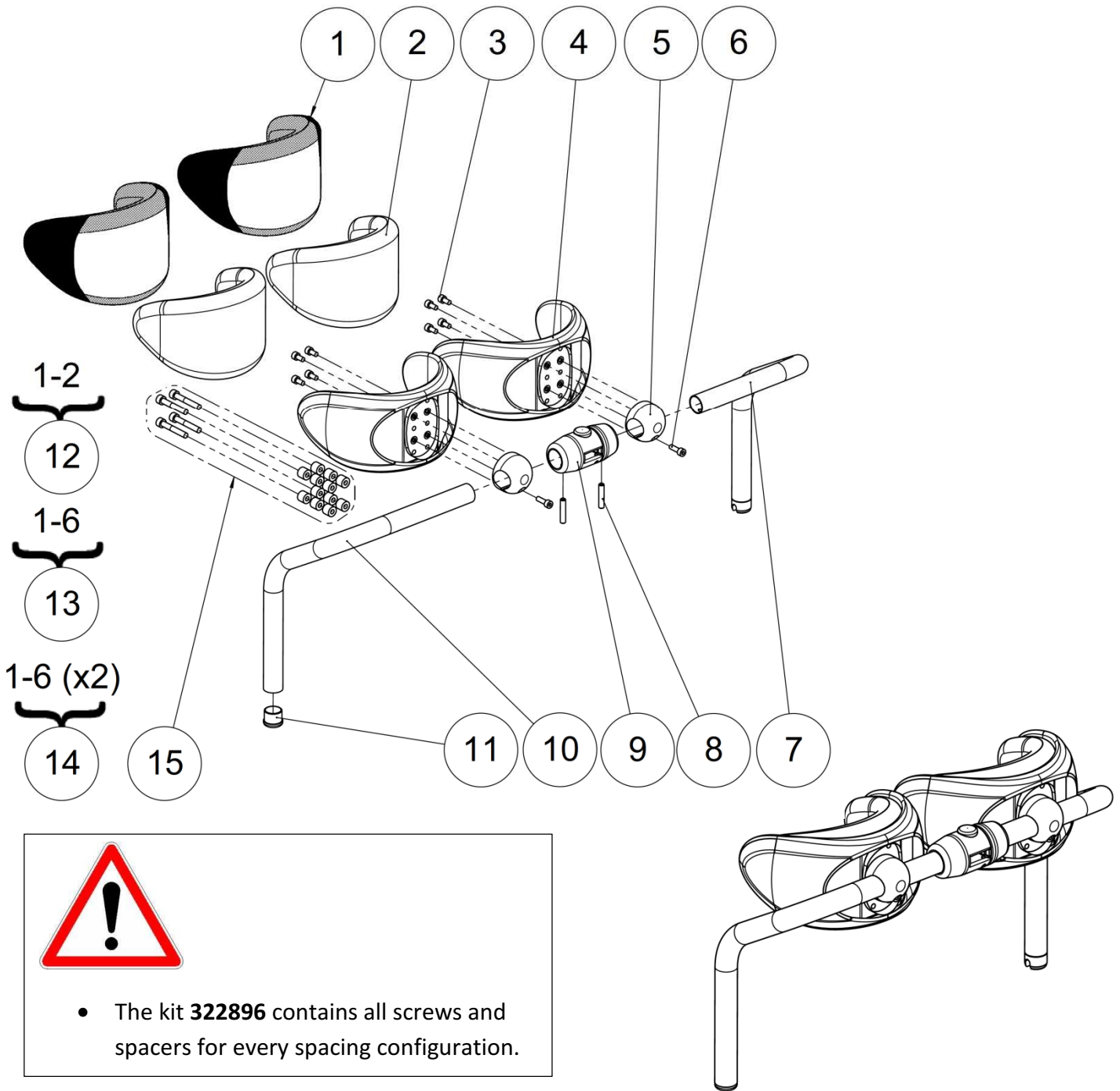
Legrest

Dual footrest flip up and fold away rod

Dual footrest flip up and fold away rod

Pos	Qty	Stock Code	Description En	Description Fr	Remark
1	1	L3175XXXZN	Unlocking button	Bouton de déverrouillage	
2	2	ANN-RAD6RENFO	Ring Ø6mm	Anneau élastique Ø6mm	
3	1	L3172XXXZN	Control unit rod	Tige de commande	
4	1	L3174XXXZN	Link nut	Ecrou de liaison	
5	1	L3173XXXZN	Spring	Ressort	
6	1	L3165XXXFO	Lower guide	Guide inferieur	
7	1	L3170XXXZN	Bolt	Verrou	
8	1	L0004016FO	O-ring Ø16x2.5mm	Joint torique Ø16x2.5mm	

Kneerest

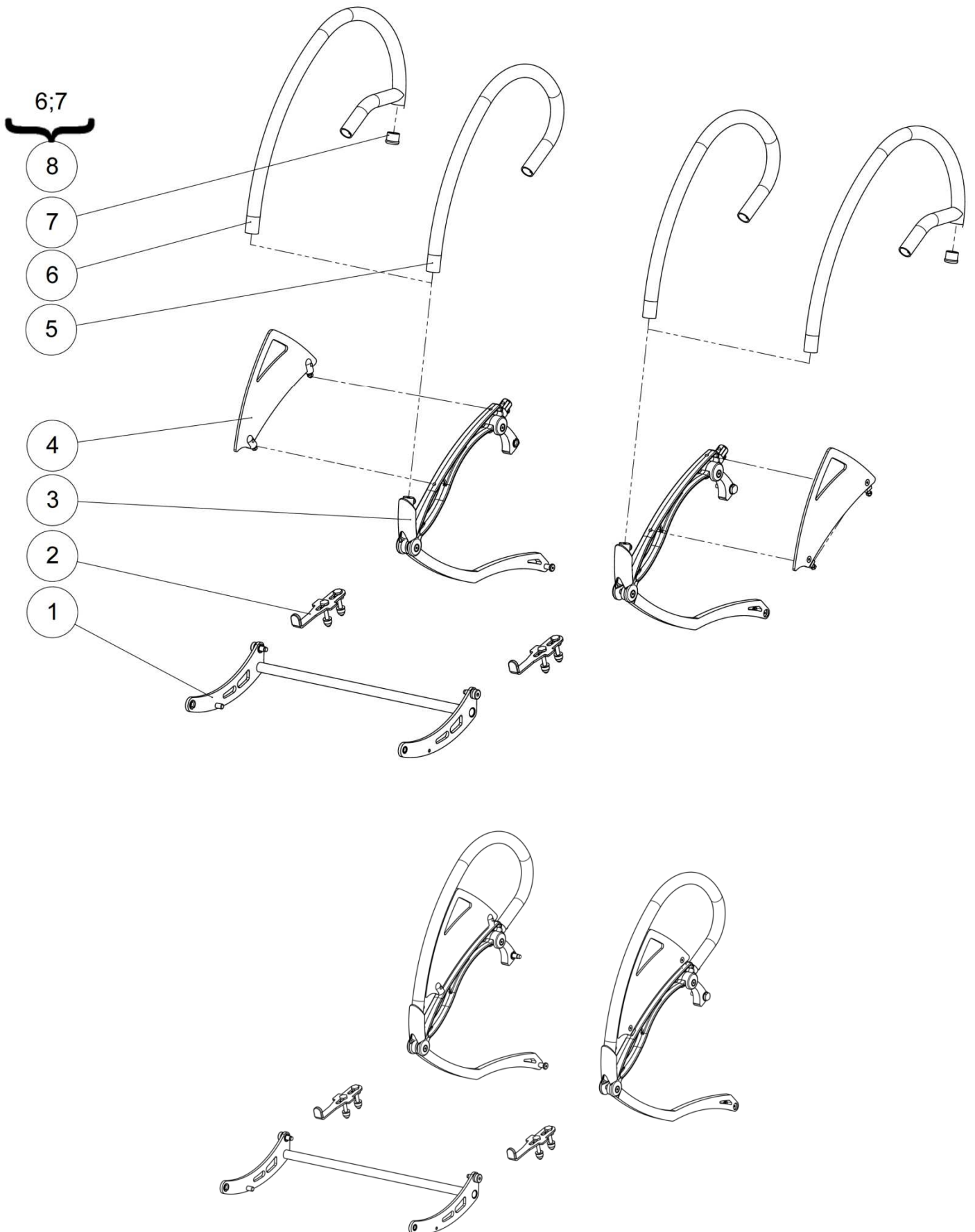


Kneerest

Kneerest					
Pos	Qty	Stock Code	Description En	Description Fr	Remark
1	2	L3016XXXFO	Cover for confort kneepad	Housse de genouillère	
2	2	L3017XXXFO	Foam for confort kneepad	Coussinet genouillère mousse	
3	8	VIS-CHC5X10ZN	Hexagon socket head cap screw M5x10	Vis tête cylindrique M5x10 six pans creux	
4	2	L3111XXXFO	Polyurethane knee-support	Genouillère polyuréthane surmoulée	
5	2	L3112FXXAI	Knee-support nut	Noix de genouillère fendue	
6	2	VIS-CHC5X16ZN	Hexagon socket head cap screw M5x16	Vis tête cylindrique M5x16 six pans creux	
7	1	L3145L36PN	Left knee support tube size 36 cm	Tube genouillère gauche taille 36 cm	
		L3145L40PN	Left knee support tube size 40 cm	Tube genouillère gauche taille 40 cm	
		L3145L44PN	Left knee support tube size 44 cm	Tube genouillère gauche taille 44 cm	
		L3145L48PN	Left knee support tube size 48 cm	Tube genouillère gauche taille 48 cm	
8	2	VIS-HC6X30ZN	Hexagon socket set screw M6x30	Vis sans tête M6x30 six pans creux	
9	1	L3060XXXFO	Locking knee support set	Verrou genouillère	
10	1	L3145R36PN	Right knee support tube size 36 cm	Tube genouillère droit taille 36 cm	
		L3145R40PN	Right knee support tube size 40 cm	Tube genouillère droit taille 40 cm	
		L3145R44PN	Right knee support tube size 44 cm	Tube genouillère droit taille 44 cm	
		L3145R48PN	Right knee support tube size 48 cm	Tube genouillère droit taille 48 cm	
11	1	L0005221FO	Black cap for tube Ø22.1mm	Bouchon plastique noir pour tube Ø22.1mm	
12	2	L3013ITTF0	Foam + cover for confort kneepad (unit)	Kit housse + coussinet confort (l'unité)	
13	2	L3110XXXFO	Kit confort kneepad (unit)	Kit genouillère confort (l'unité)	
14	1	L3100XXXFO	Kit confort kneepads (pair)	Kit genouillères confort (paire)	
15	1	322896	Kit spacers kneerest LS-LSE-LSR-LSC-LSCO	Kit entretoises genouillères LS-LSE-LSR-LSC-LSCO	See table below to determine the number of spacer(s) and the length of screws

Spacing L (mm) (see picture p.50) / Espacement L (mm) (voir schéma p.50)	0	10	20	30
Quantity of spacer(s) 614472 (for 1 kneepad) / Nombre d'entretoise(s) (pour 1 genouillère)	0	4	8	12
Quantity of screws (for 1 kneepad) / Nombre de vis (pour 1 genouillère)	4	4	4	4
References of screws / Références des vis	VIS-CHC5X10ZN	VIS-CHC5X20ZN	600686	VIS-CHC5X40ZN

Manual standing



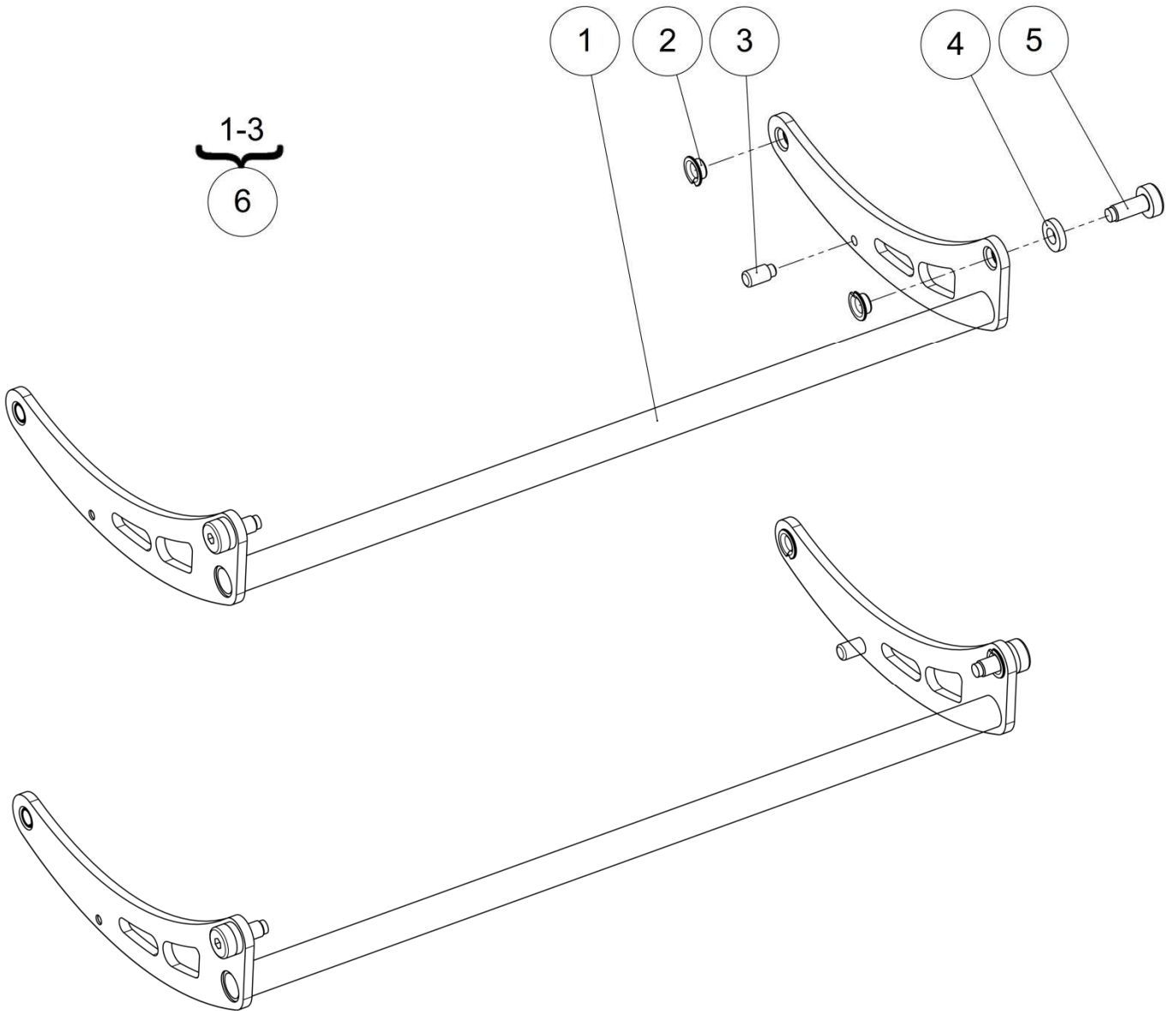
Manual standing

Manual standing

Pos	Qty	Stock Code	Description En	Description Fr	Remark
1	1		Grip handle crosstube	Traverse de volant	See exploded view p.52
2	2		Stand-up lock	Verrou verticalisation	See exploded view p.54
3	1		Arm loop lever right	Levier droit	See exploded view p.56
	1		Arm loop lever left	Levier gauche	See exploded view p.56
4	1		Carbon fiber side guard right	Protège vêtements carbone droit	See exploded view p.58
	1		Carbon fiber side guard left	Protège vêtements carbone gauche	See exploded view p.58
5	2	A8005XXXPN	Grip handle	Volant de verticalisation	
		A8005PVCFO	Rubber coated grip handle	Volant de verticalisation plastifié	
6	2		Long grip handle	Volant de verticalisation long	NOT FOR SALE A8005XLGPN
			Long rubber coated grip handle	Volant de verticalisation long plastifié	NOT FOR SALE A8005XLGPL
7	2	L0005221FO	Black cap for tube Ø22.1mm	Bouchon plastique noir pour tube Ø22.1mm	
8	2	323042	Kit long grip handle (unit)	Kit volant long (l'unité)	
		323043	Kit long rubber coated grip handle (unit)	Kit volant long plastifié (l'unité)	

Manual standing

Grip handle crosstube





Manual standing

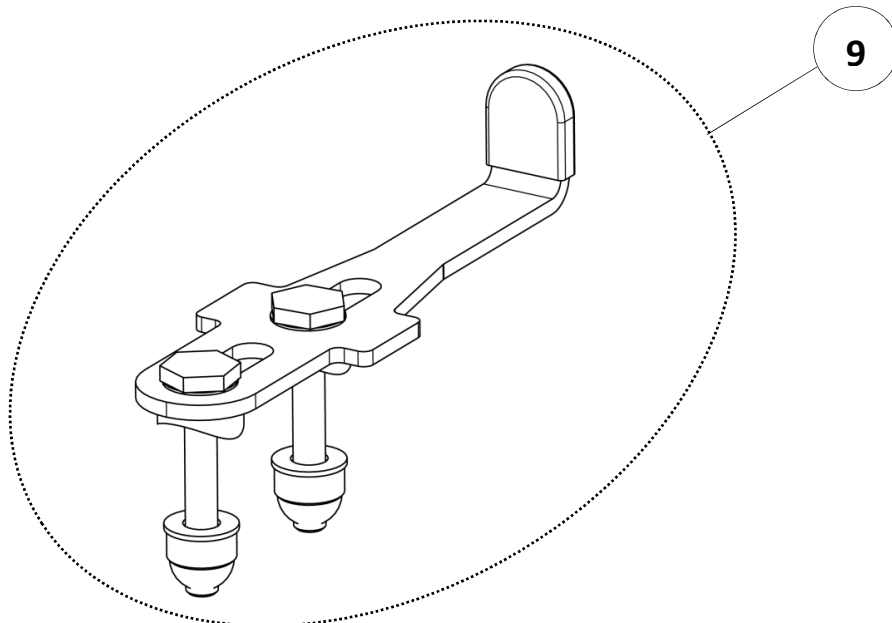
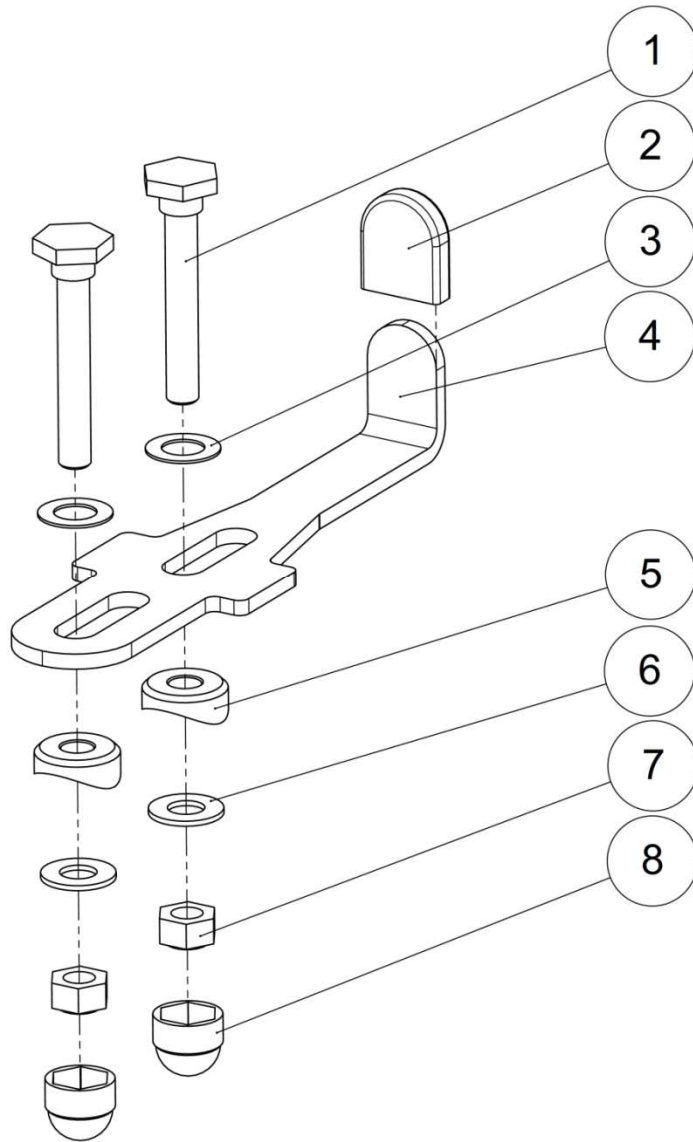
Grip handle crosstube

Grip handle crosstube

Pos	Qty	Stock Code	Description En	Description Fr	Remark
1	1		Grip handle crosstube size 36 cm	Traverse de volant taille 36 cm	NOT FOR SALE L8109X36PN
			Grip handle crosstube size 40 cm	Traverse de volant taille 40 cm	NOT FOR SALE L8109X40PN
			Grip handle crosstube size 44 cm	Traverse de volant taille 44 cm	NOT FOR SALE L8109X44PN
			Grip handle crosstube size 48 cm	Traverse de volant taille 48 cm	NOT FOR SALE L8109X48PN
2	4	L0007080FO	Collar bearing 8x10x5.5mm	Coussinet a collerette 8x10x5.5mm	
3	2	A2008XXXFO	Stop pin	Pion de blocage	
4	2	A8008XXXFO	Gas spring spacer	Entretoise de vérin	
5	2	A8011XXXZN	Arm loop axle lug spindle	Axe pivot volant	
6	1	322881	Kit grip handle crosstube size 36 cm	Kit traverse de volant taille 36 cm	
		322882	Kit grip handle crosstube size 40 cm	Kit traverse de volant taille 40 cm	
		322883	Kit grip handle crosstube size 44 cm	Kit traverse de volant taille 44 cm	
		322884	Kit grip handle crosstube size 48 cm	Kit traverse de volant taille 48 cm	

Manual standing

Stand-up lock





Manual standing

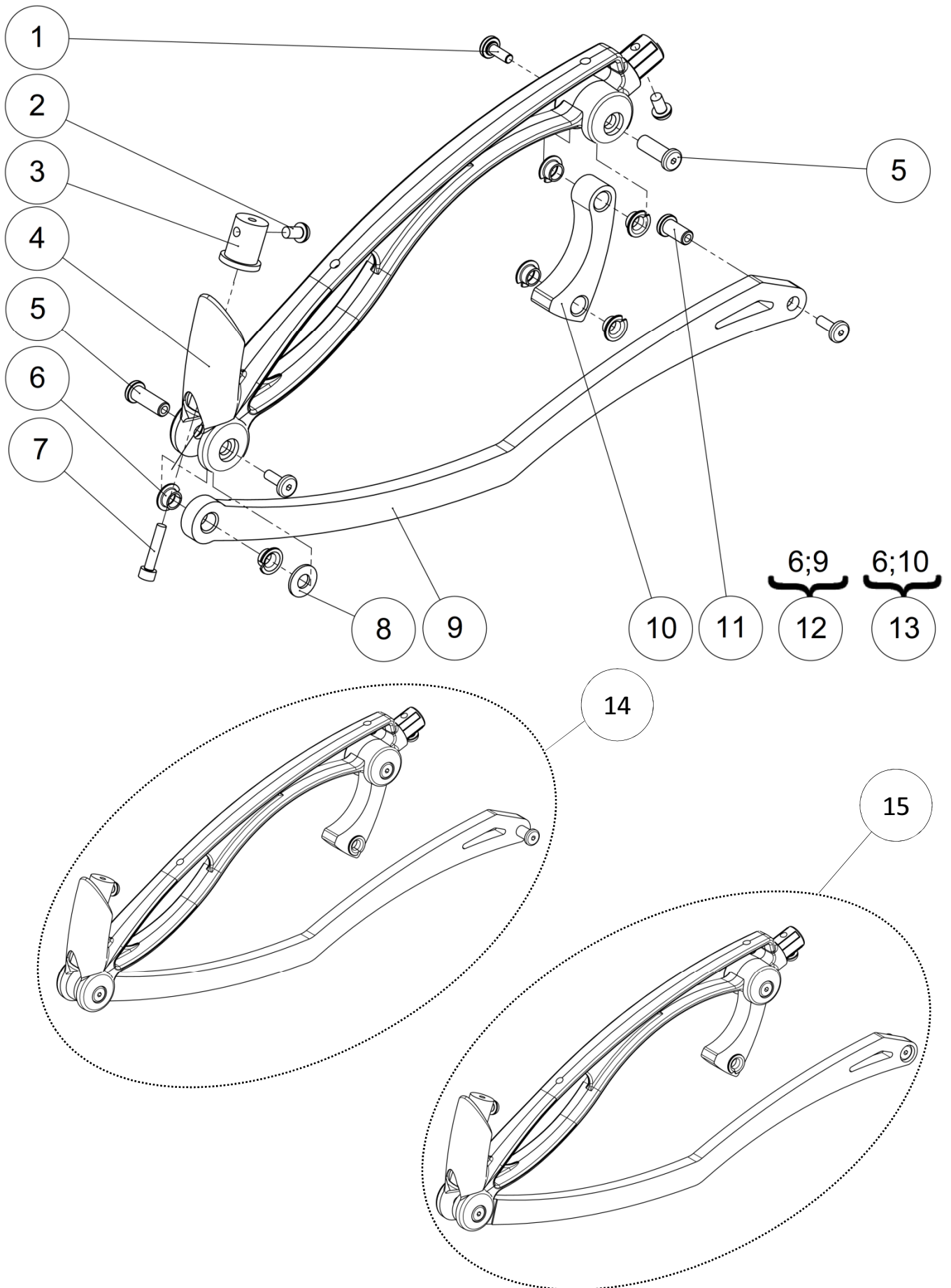
Stand-up lock

Stand-up lock

Pos	Qty	Stock Code	Description En	Description Fr	Remark
1	2	L2107XXXZN	Safety slide-lock spindle	Axe de tirette de sécurité	
2	1	A2009XXXFO	Red safety cap	Capuchon sécurité rouge	
3	2	RON-Z8FINEPLAS	Nylon washer Ø8.1x14x0.5mm	Rondelle plate nylon Ø8.1x14x0.5mm	
4	1	L2105XXXAI	Safety slide-lock	Tirette de verrouillage de sécurité	
5	2	L0003254FO	Concave washer for tube Ø25.4mm	Coupelle pour tube Ø25.4mm	
6	2	RON-M6ZN	Plain washer Ø6	Rondelle plate M Ø6	
7	2	ECR-HFR6ZN	Prevailing torque type hexagon nut M6	Ecrou frein M6	
8	2	C0215XXXFO	Nut cap M6	Cache écrou M6	
9	1	322885	Kit safety lock (unit)	Kit verrouillage de sécurité (l'unité)	

Manual standing

Arm loop lever



Manual standing

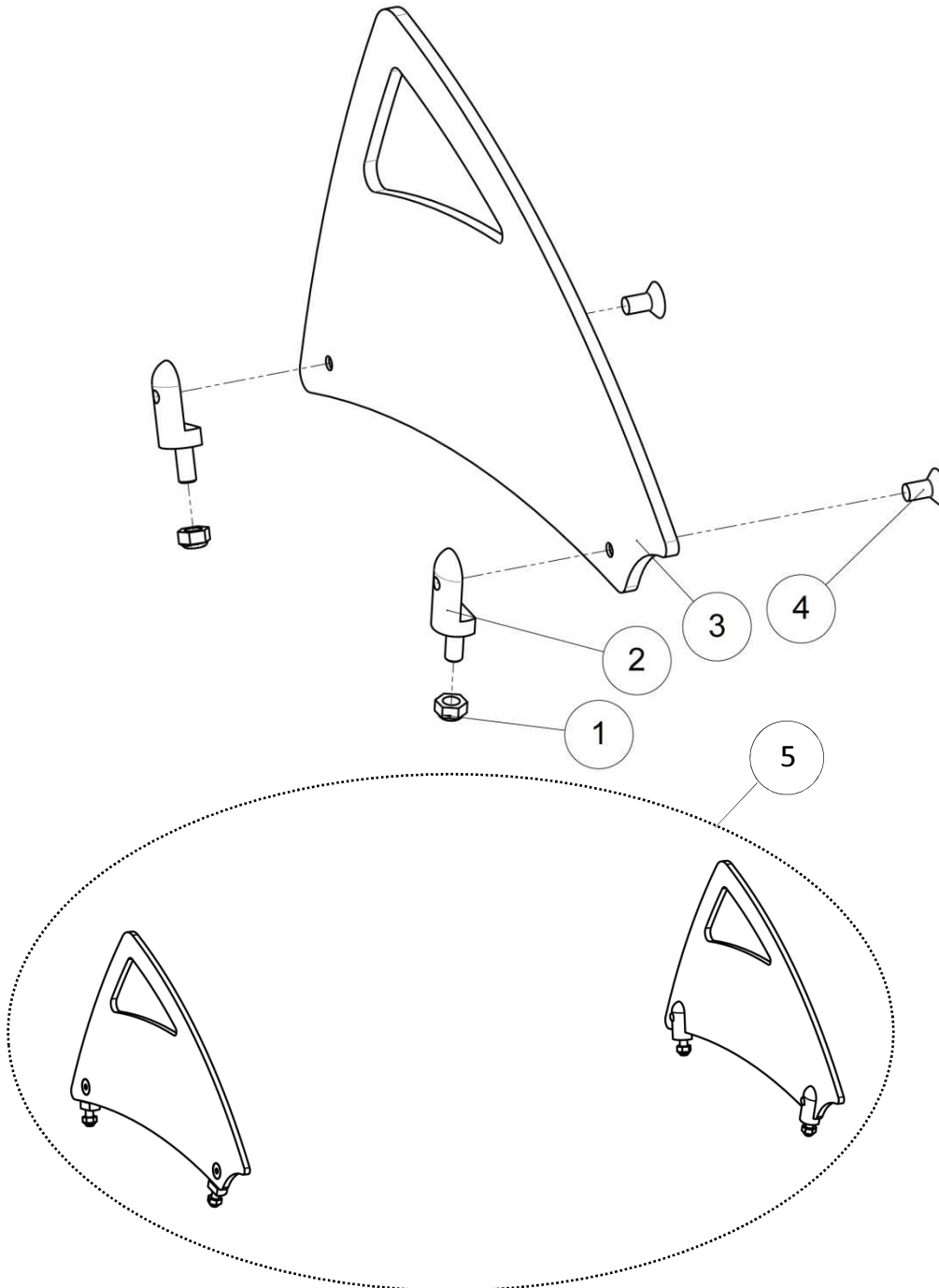
Arm loop lever

Arm loop lever

Pos	Qty	Stock Code	Description En	Description Fr	Remark
1	6	A8021XXXZN	Blended screw	Vis noyée	
2	4	VIS-CBHC6X10ZN	Hexagon socket button head screw M6x10	Vis tête bombée M6x10 six pans creux	
3	2	A8001XXXAI	Grip handle lug	Bossage volant	
4	2	A8006XXXPN	Grip handle brace black	Embase volant noir	
5	4	A8023XXXZN	Long blended nut	Ecrou noyé long	
6	12	L0007080FO	Collar bearing 8x10x5.5mm	Coussinet a collerette 8x10x5.5mm	
7	2	VIS-CHC5X25ZN	Hexagon socket head cap screw M5x25	Vis tête cylindrique M5x25 six pans creux	
8	2	RON-M8ZN	Plain washer Ø8	Rondelle plate M Ø8	
9	1		Right side bent lever	Levier droit	NOT FOR SALE L8102RXXAI
	1		Left side bent lever	Levier gauche	NOT FOR SALE L8102LXXAI
10	2		Grip handle joint crank	Bielle articulation volant	NOT FOR SALE A8004XXXAI
11	2	A8022XXXZN	Blended nut	Ecrou noyé	
12	1	322886	Kit right side bent lever	Kit levier droit	
	1	322887	Kit left side bent lever	Kit levier gauche	
13	2	322592	Kit grip handle joint crank	Kit bielle articulation volant	One side
14	1	322931	Kit arm loop lever right LS	Kit Volant de verticalisation droit LS	
15	1	322932	Kit arm loop lever left LS	Kit Volant de verticalisation gauche LS	

Manual standing

Carbon fiber side guards



NOT COMPATIBLE WITH LSE



Manual standing

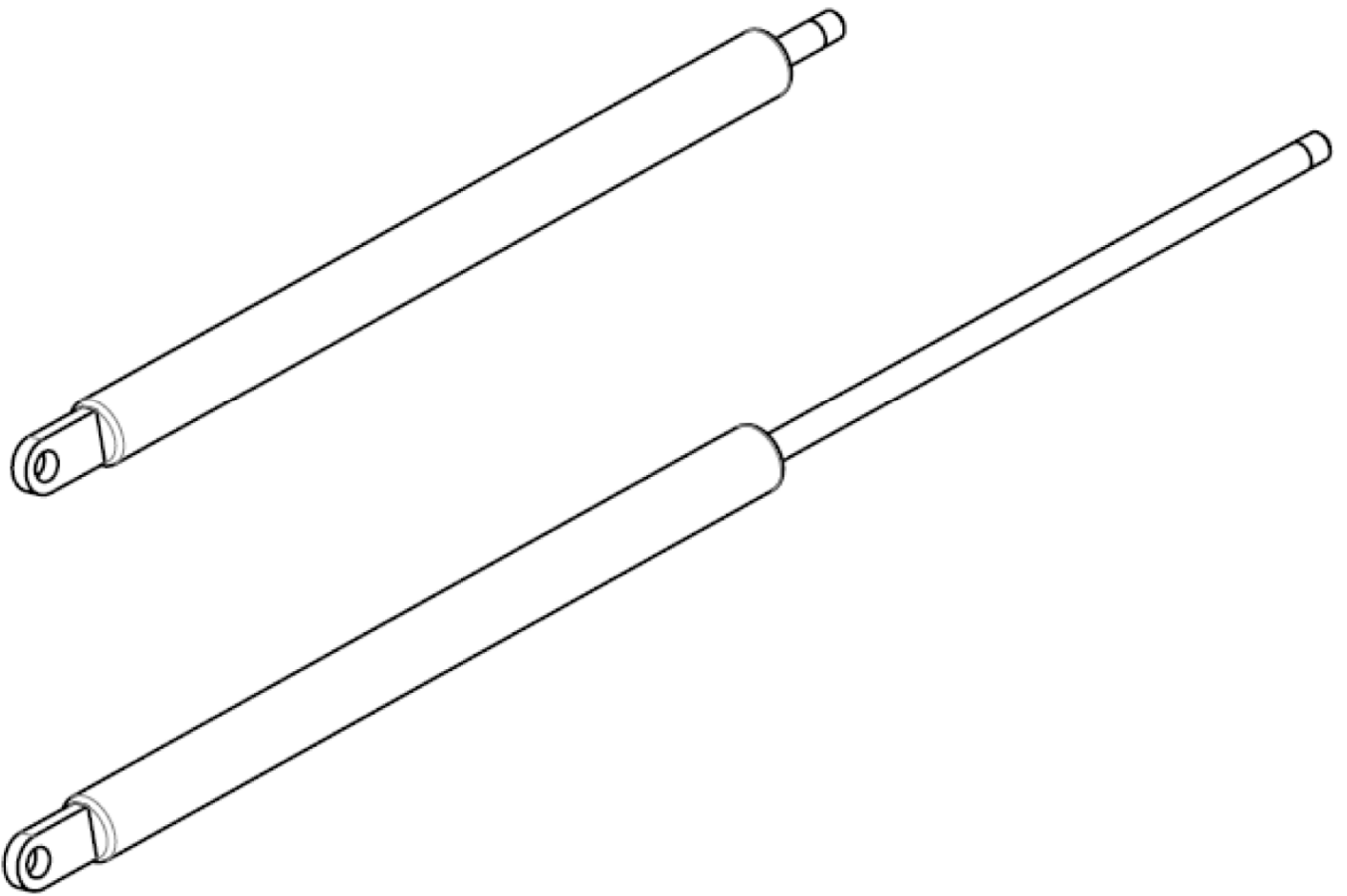
Carbon fiber side guards

Carbon fiber side guards

Pos	Qty	Stock Code	Description En	Description Fr	Remark
1	4	ECR-HFR5ZN	Prevailing torque type hexagon nut M5	Ecrou frein M5	
2	4	A9012XXXZN	Side-guard fitting	Fixation protège vêtements	
3	1	A9011LXXFO	Left carbon side-guard	Protège vêtements gauche carbone	
	1	A9011RXXFO	Right carbon side-guard	Protège vêtements droit carbone	
4	4	VIS-FHC5X8ZN	Hexagon socket countersunk head screw M5x8	Vis tête fraisée M5x8 six pans creux	
5	1	A9010XXXFO	Kit carbon side guard (pair)	Kit protège vêtements carbone (paire)	



Gas strut



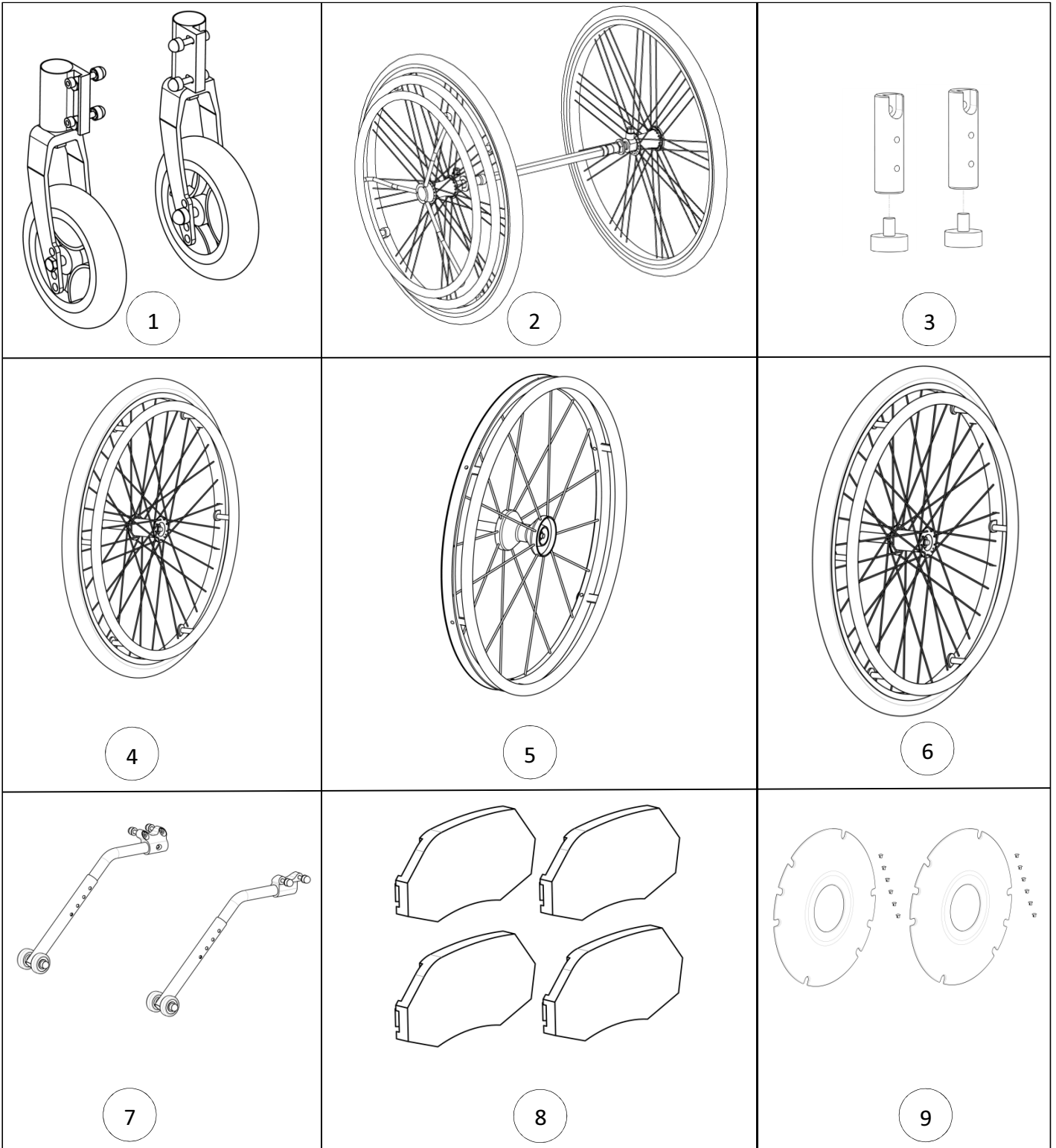


Gas strut

Gas strut

Pos	Qty	Stock Code	Description En	Description Fr	Remark
1	2	A8200XXFO	Gas strut Liftline 200N	Vérin Liftline 200N	To make 250N use 1x 200N and 1x 300N
2		A8300XXFO	Gas strut Liftline 300N	Vérin Liftline 300N	To make 350N use 1x 300N and 1x 400N
3		A8400XXFO	Gas strut Liftline 400N	Vérin Liftline 400N	To make 450N use 1x 400N and 1x 500N
4		A8500XXFO	Gas strut Liftline 500N	Vérin Liftline 500N	To make 550N use 1x 500N and 1x 600N
5		A8600XXFO	Gas strut Liftline 600N	Vérin Liftline 600N	To make 650N use 1x 600N and 1x 700N
6		A8700XXFO	Gas strut Liftline 700N	Vérin Liftline 700N	To make 750N use 1x 700N and 1x 800N
7		A8800XXFO	Gas strut Liftline 800N	Vérin Liftline 800N	

Wheels





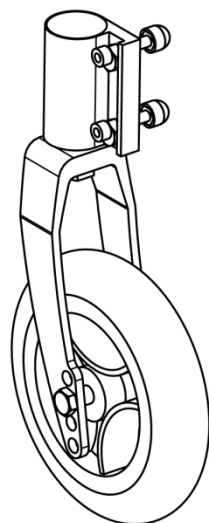
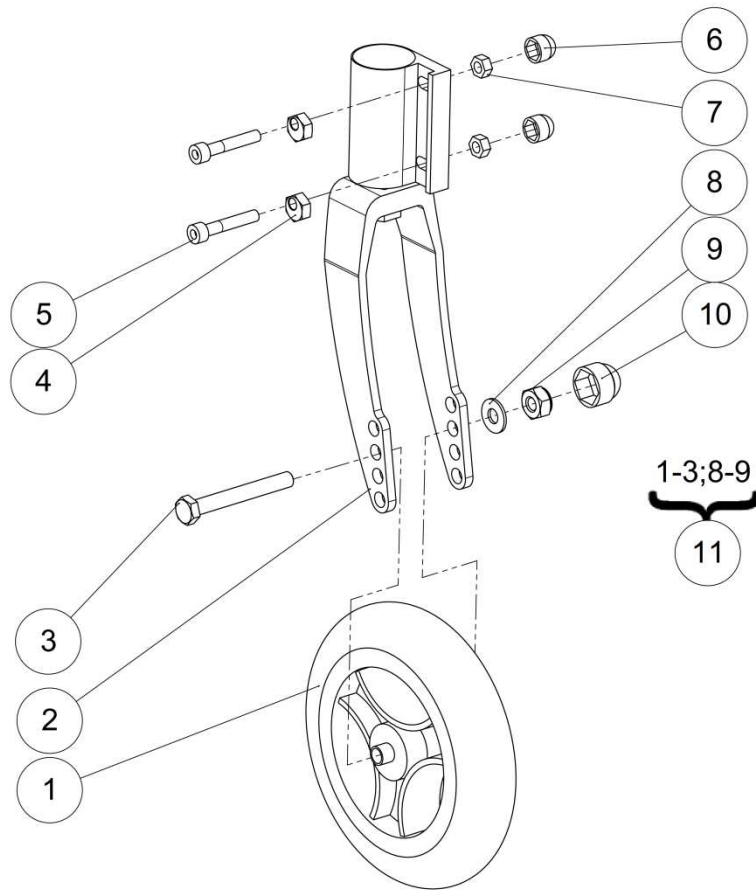
Wheels

Wheels

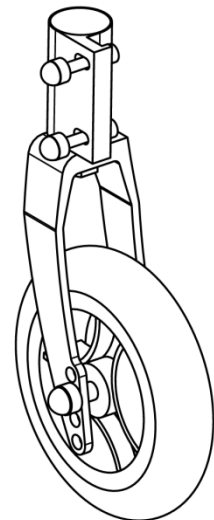
Pos	Qty	Stock Code	Description En	Description Fr	Remark
1	1		Front wheels 6'' soft roller (pair)	Roues avant 6'' soft roller (paire)	See exploded view p.64
2	1		Hemiplegic wheels	Roues hémiplégique	See exploded view p.74
3	1		Foot rest extension (pair)	Extension tube jambier (paire)	See exploded view p.72
4	1		Rear wheels 24''	Roue arrière 24''	See exploded view p.66
5	1		Rear wheels 24'' Spinergy	Roue arrière 24'' Spinergy	See exploded view p.70
6	1		Rear wheels 26''	Roue arrière 26''	See exploded view p.72
7	1		Anti-tipper wheels (pair)	Kit roulettes anti-basculer (paire)	See exploded view p.76
8	1	L7121XXXFO	Kit 4 reflectors	Kit 4 catadioptrés	Unit L0014XXXFO NOT COMPATIBLE WITH SPINERGY
9	1		Spoke guards (pair)	Flasques de roues (paire)	See exploded view p.78

Wheels

Front wheels



Left side



Right side



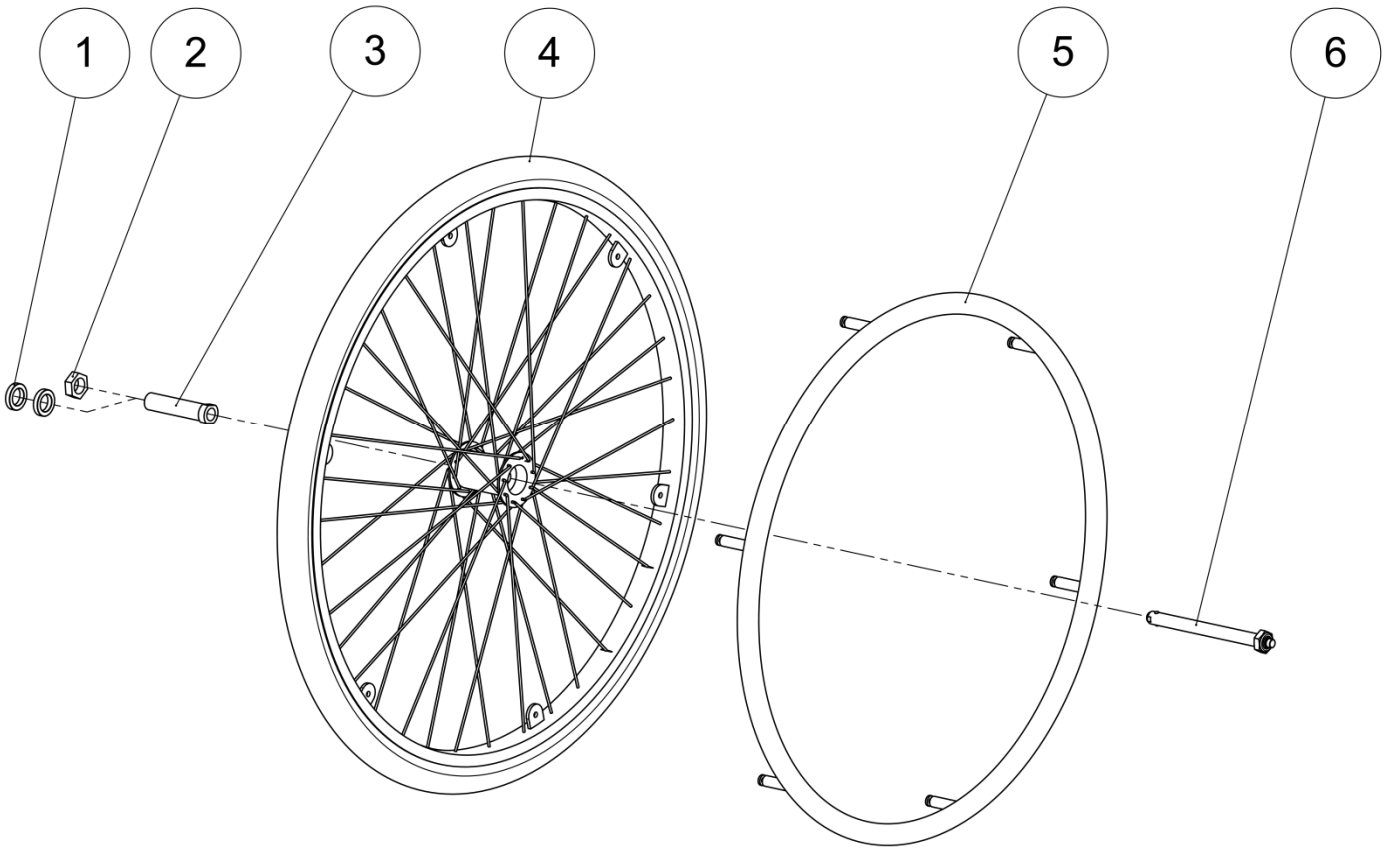
Wheels

Front wheels

Front wheels					
Pos	Qty	Stock Code	Description En	Description Fr	Remark
1	2	L7150BANFO	Front wheel 6"x1"	Roue avant 6"x1"	
2	1		Left fork + bearings + plastic cap	Fourche gauche + roulements + capuchon plastique	NOT FOR SALE
	1		Right fork + bearings + plastic cap	Fourche droite + roulements + capuchon plastique	NOT FOR SALE
3	2	VIS-H8X65ZN	Hexagon-head screw M8x65	Vis tête hexagonale M8x65	
4	4	L7007XXXFO	Flat excentric hexagonal nut	Ecrou excentrique hexagonal plat	
5	4	VIS-CHC6X35ZN	Hexagon socket head cap screw M6x35	Vis tête cylindrique M6x35 six pans creux	
6	4	C0215XXXFO	Nut cap M6	Cache écrou M6	
7	4	ECR-HFR6ZN	Prevailing torque type hexagon nut M6	Ecrou frein M6	
8	2	RON-M8ZN	Plain washer Ø8	Rondelle plate M Ø8	
9	2	ECR-HFR8ZN	Prevailing torque type hexagon nut M8	Ecrou frein M8	
10	2	C0214XXXFO	Nut cap M8	Cache écrou M8	
11	1	L1233LXXFO	Left pivot + fork + Wheel 6"	Pivot complet gauche + fourche + roue 6"	
	1	L1233RXXFO	Right pivot + fork + Wheel 6"	Pivot complet droit + fourche + roue 6"	

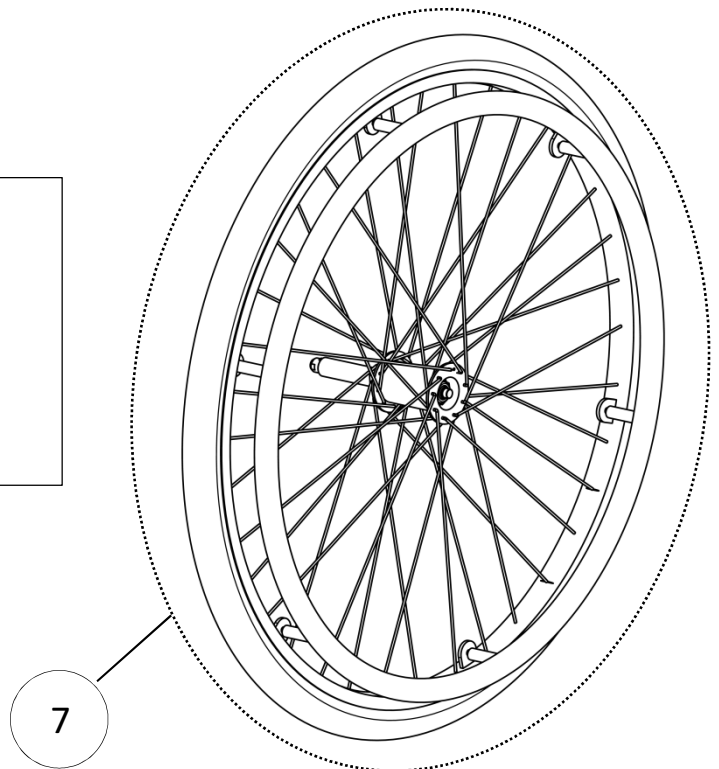
Wheels

Rear wheel 24"





- 1x L7005XECFO (Pos.1) if camber 0°
- 2x A7001XXXFO (Pos.1) if camber 3°





Wheels

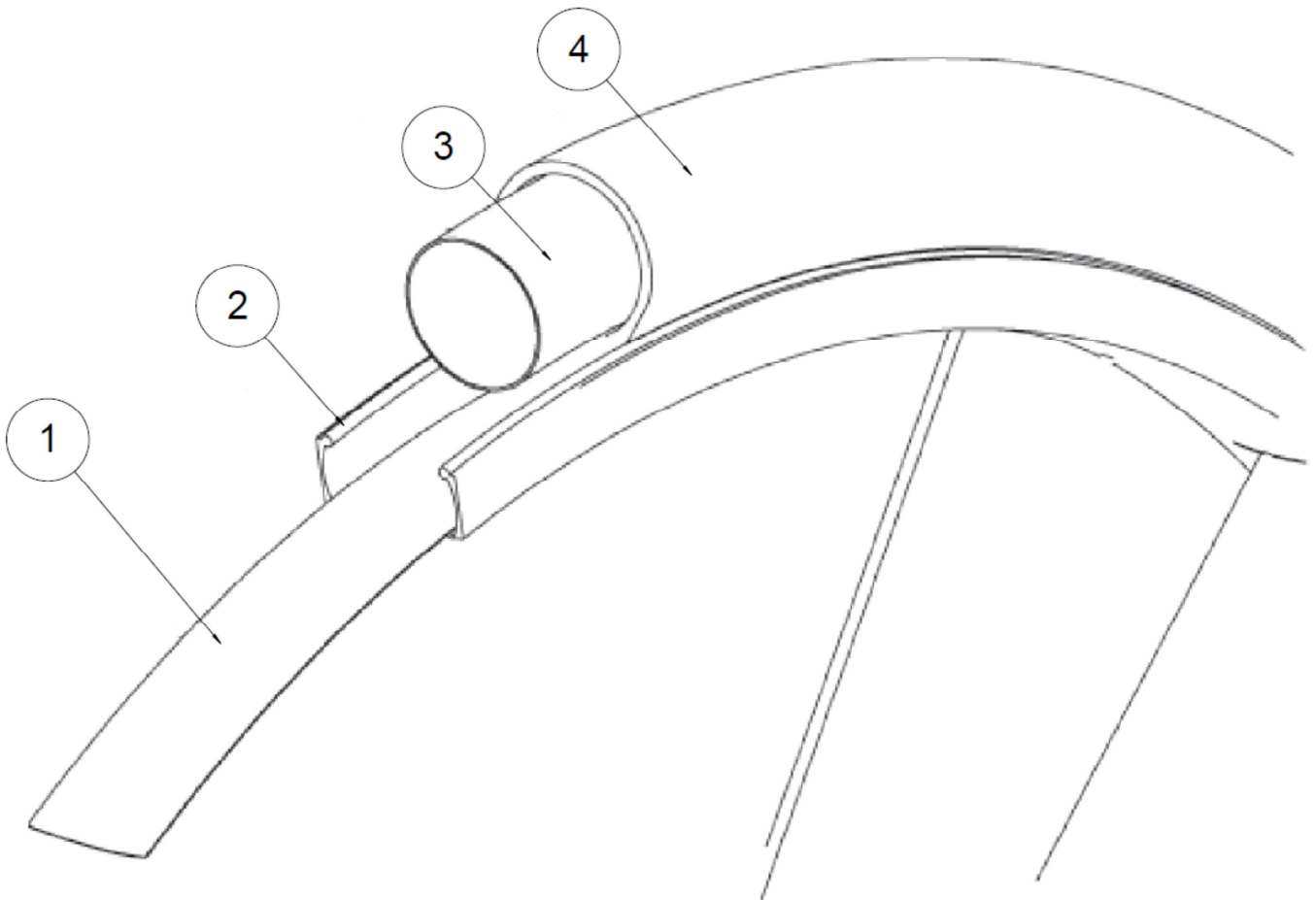
Rear wheel 24"

Rear wheel 24"

Pos	Qty	Stock Code	Description En	Description Fr	Remark
1	0-2	A7001XXXFO	Rear wheel wedging washer	Rondelle de calage roue arrière	2x→3° / 0x→0° camber
2	0-1	L7005XECFO	Nut for wheel bearing	Ecrou zingué 22 pour palier QR	0x→3° / 1x→0° camber
3	1	L7005XLSFO	Long sleeve Ø12	Palier roue Ø12	
4	1		Lifestand wheel 24"	Roue Lifestand 24"	See exploded view p.68
5	1	L7006XXXFO	Handrim 24" anodized clear	Main courante 24" anodisé incolore	Not compatible with Spinerge wheels
		L7006CHRFO	Handrim 24" chromed	Main courante 24" chromée	Not compatible with Spinerge wheels
		L7006PVCFO	Handrim 24" smooth silicone cover	Main courante 24" PVC noir	Not compatible with Spinerge wheels
6	1	L7002XXXFO	Quick release axle long + nut M12	Axe QR long + écrou 12	
7	1	L7602HPRFO	Complete wheel 24" anod. clear handrim + HP tire	Roue complète 24"+ pneu HP	

Wheels

Lifestand wheel 24"





Wheels

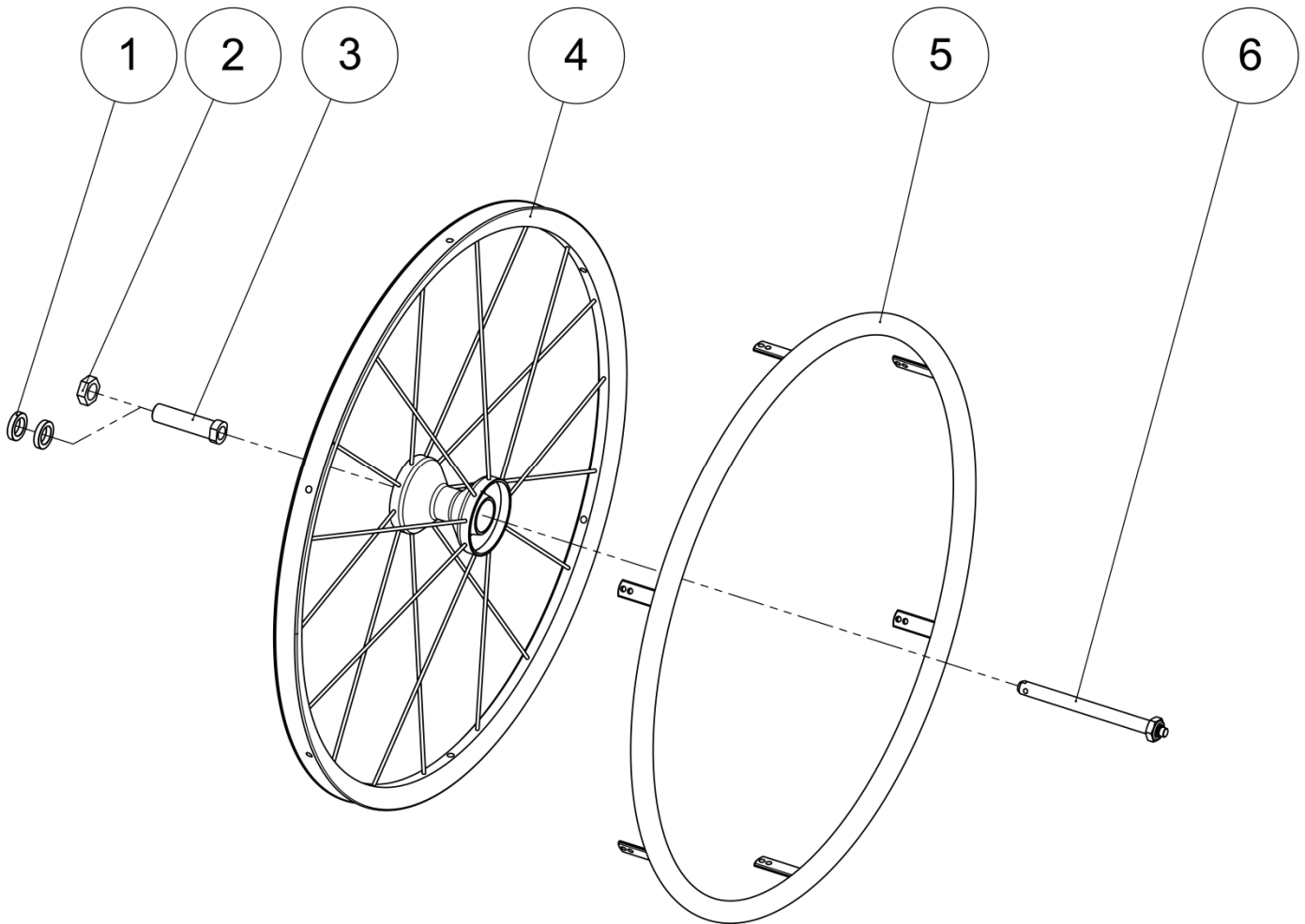
Lifestand wheel 24"

Lifestand wheel 24"

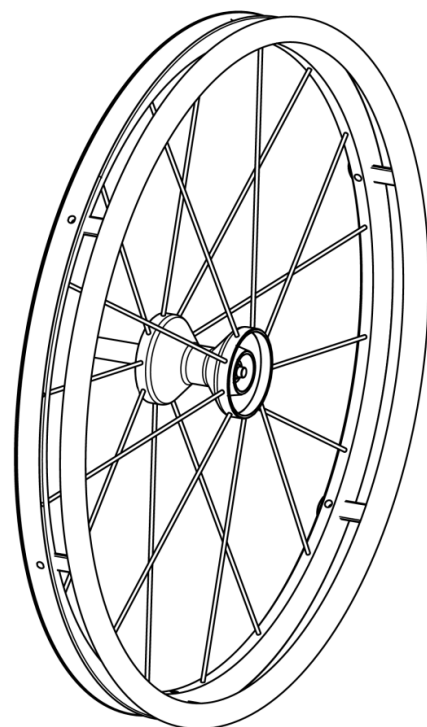
Pos	Qty	Stock Code	Description En	Description Fr	Remark
1	1	L7611FJXFO	Inside rim protection for rim 24"	Fond de jante pour jante 24"	
2	1	L7603NUEFO	Complete wheel hub without tire	Jante nue + main courante	
3	1	L7611HPRFO	Tube high pressure for tire 24"	Chambre à air HP pour pneu 24"	
		L7611STDFO	Tube standard for tire 24"	Chambre à air standard pour pneu 24"	
4	1	L7601HPRFO	High pressure tire 24"	Pneu 24" HP	
		L7601MARFO	Tire 24" marathon evolution	Pneu 24" marathon evolution	
		L7601STDFO	Standard tire 24"	Pneu 24" standard	
		N-BA600100L	Flat free tire 24"x 1" glossy finish	Bandage 24"x 1" lisse	NOT COMPATIBLE WITH SPINERGY WHEELS
		N-BA600138L	Flat free tire 24"x 1"3/8 glossy finish	Bandage 24"x 1"3/8 lisse	NOT COMPATIBLE WITH SPINERGY WHEELS
		N-BA600138C	Soly poly 24"x 1"3/8	Bandage 24"x 1"3/8 cranté	NOT COMPATIBLE WITH SPINERGY WHEELS

Wheels

Rear wheel 24" Spinergy



- 1x L7005XECFO (Pos.1) if camber 0°
- 2x A7001XXXFO (Pos.1) if camber 3°





Wheels

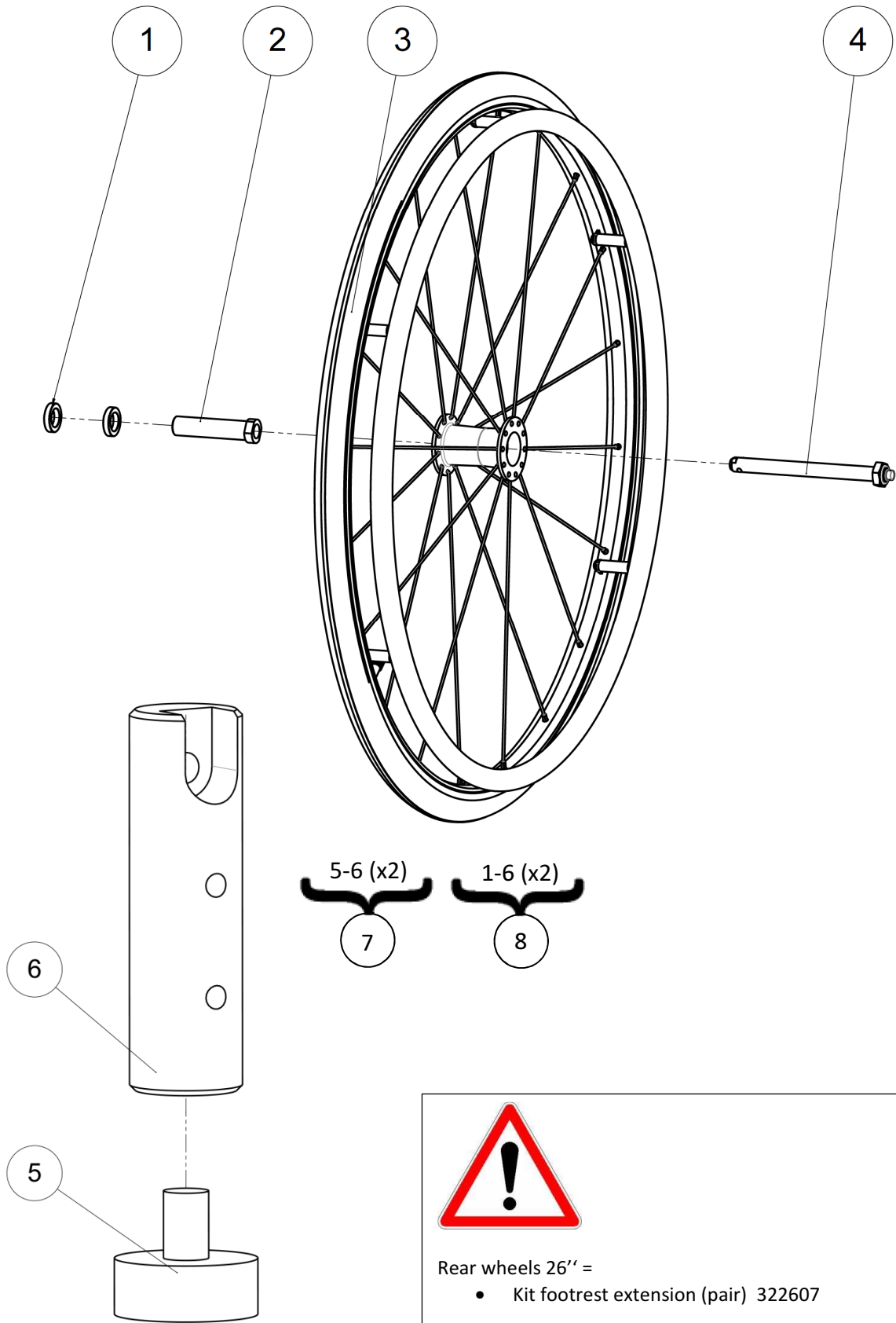
Rear wheel 24" Spinerger

Rear wheel 24" Spinerger

Pos	Qty	Stock Code	Description En	Description Fr	Remark
1	0-2	A7001XXXFO	Rear wheel wedging washer	Rondelle de calage roue arrière	2x→3° / 0x→0° camber
2	0-1	L7005XECFO	Nut for wheel bearing	Ecrou zingué 22 pour palier QR	0x→3° / 1x→0° camber
3	1	L7005XXXFO	Bearing + nut for spinerger	Palier court 67mm	Only for Spinerger wheels
4	1	A7600ROUFO	Spinerger rim red spokes	Jante Spinerger rayons rouges	
		A7600BLEFO	Spinerger rim blue spokes	Jante Spinerger rayons bleus	
		A7600WHIFO	Spinerger rim white spokes	Jante Spinerger rayons blancs	
		A7600NOIFO	Spinerger rim black spokes	Jante Spinerger rayons noirs	
5	1	A7006XXXFO	Anodized push rim - black	Main courante anodisée noire	Only for Spinerger wheels
		A7006PVCFO	Rubber coated push rim 24" black	Main courante 24" PVC noir	
6	1	L7002XXXFO	Quick release axle long + nut M12	Axe QR long + écrou 12	

Wheels

Rear wheel 26"





Wheels

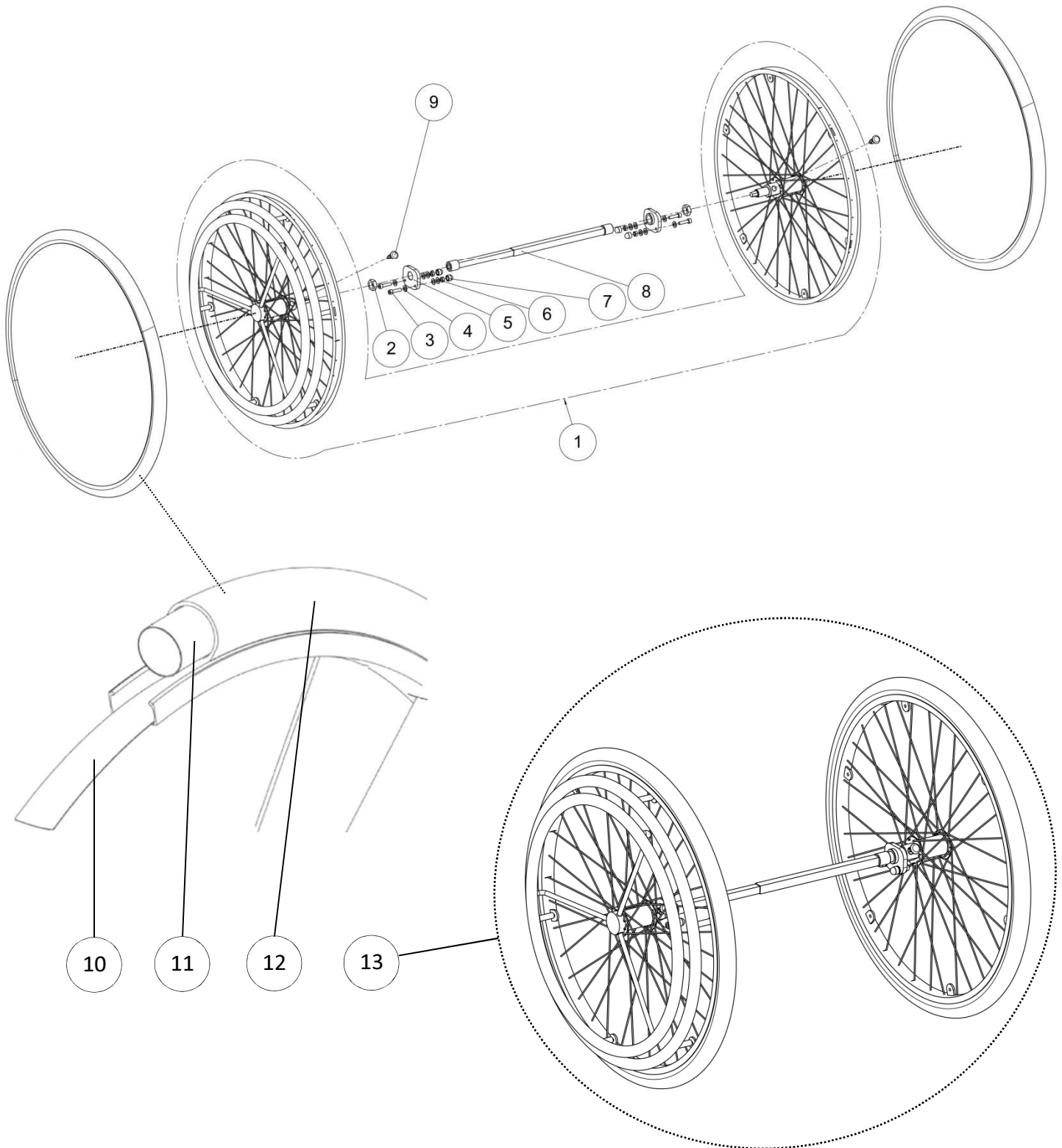
Rear wheel 26"

Rear wheel 26"

Pos	Qty	Stock Code	Description En	Description Fr	Remark
1	2	A7001XXXFO	Rear wheel wedging washer	Rondelle de calage roue arrière	
2	1	L7005XLSFO	Long sleeve Ø12	Palier roue Ø12	
3	1	A7650X02FO	Complete wheel 26" anod. clear handrim + HP tire	Roue Ø26" complète roue + main courante + pneu	Can be mounted only if wheelchair is equipped with footrest extensions (322607)
4	1	L7002XXXFO	Quick release axle long + nut M12	Axe QR long + écrou 12	
5	1	C1007XXXFO	Shock absorber 10mm	Amortisseur 10mm	
6	1	A7650X01AI	Footrest extension	Rallonge repose pieds	
7		322607	Kit footrest extension (pair)	Kit extension tube jambier (paire)	
8		L7650XXXFO	Kit 26" wheels (pair)	Kit roues 26" (paire)	

Wheels

Hemiplegic wheels

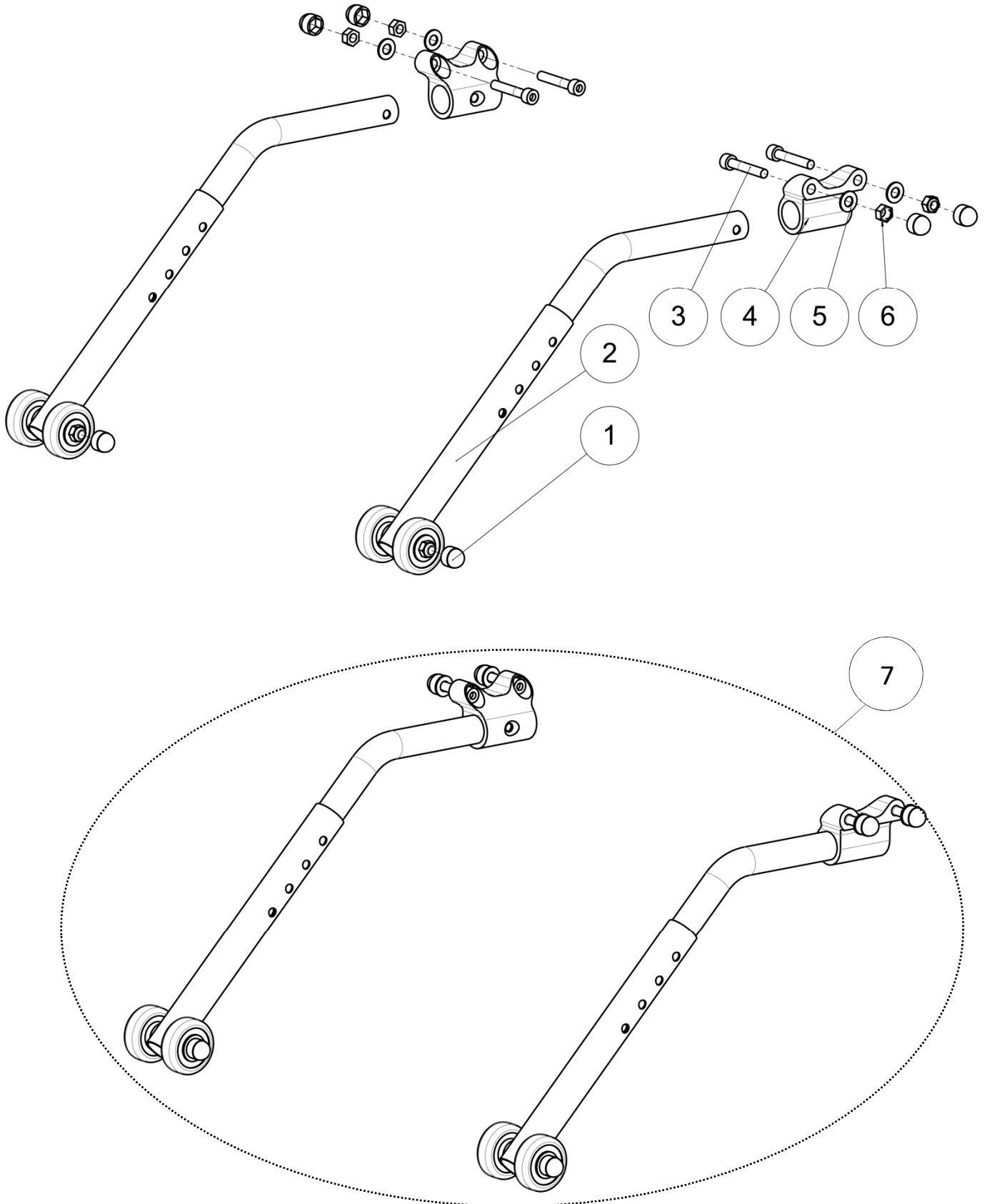


Wheels

Hemiplegic wheels

Hemiplegic wheels

Pos	Qty	Stock Code	Description En	Description Fr	Remark
1	1	L9145XXXFO	Dual hemiplegic handrim 24''	Double main courante hémipnégique 24''	Tubes and tires not included
2	2	L7005XECFO	Nut for wheel bearing	Ecrou zingué 22 pour palier QR	Included in L9145XXXFO
3	4	VIS-CHC6X25ZN	Hexagon socket head cap screw M6x25	Vis tête cylindrique M6x25 six pans creux	
4	12	RON-M6ZN	Plain washer Ø6	Rondelle plate M Ø6	
5	2	L9146XXXAI	Plate for hemiplegic kit	Platine pour kit hémipnégique	
6	4	ECR-HFR6ZN	Prevailing torque type hexagon nut M6	Ecrou frein M6	
7	4	C0215XXXFO	Nut cap M6	Cache écrou m6	
8	1	L9147XXXFO	Telescopic shaft	Barre télescopique	
9	2	MP035XXXFO	Indexation pin M10x1 with lock	Doigt indexage M10x1 avec verrou	
10	2	L7611FJXFO	Inside rim protection for rim 24''	Fond de jante pour jante 24''	
11	2	L7611HPRFO	Tube high pressure for tire 24''	Chambre à air HP pour pneu 24''	
		L7611STDFO	Tube standard for tire 24''	Chambre à air standard pour pneu 24''	
12	2	L7601HPRFO	High pressure tire 24''	Pneu 24'' HP	NOT COMPATIBLE WITH SPINERGY WHEELS NOT COMPATIBLE WITH SPINERGY WHEELS NOT COMPATIBLE WITH SPINERGY WHEELS Delivery with high pressure tubes and tires 24''
		L7601MARFO	Tire 24'' marathon evolution	Pneu 24'' marathon evolution	
		L7601STDFO	Standard tire 24''	Pneu 24'' standard	
		N-BA600100L	Flat free tire 24"x 1" glossy finish	Bandage 24"x 1" lisse	
		N-BA600138L	Flat free tire 24"x 1"3/8 glossy finish	Bandage 24"x 1"3/8 lisse	
		N-BA600138C	Soly poly 24"x 1"3/8	Bandage 24"x 1"3/8 cranté	
13	1	A7700XXXFO	Kit hemiplegic	Kit hémipnégique	





Wheels

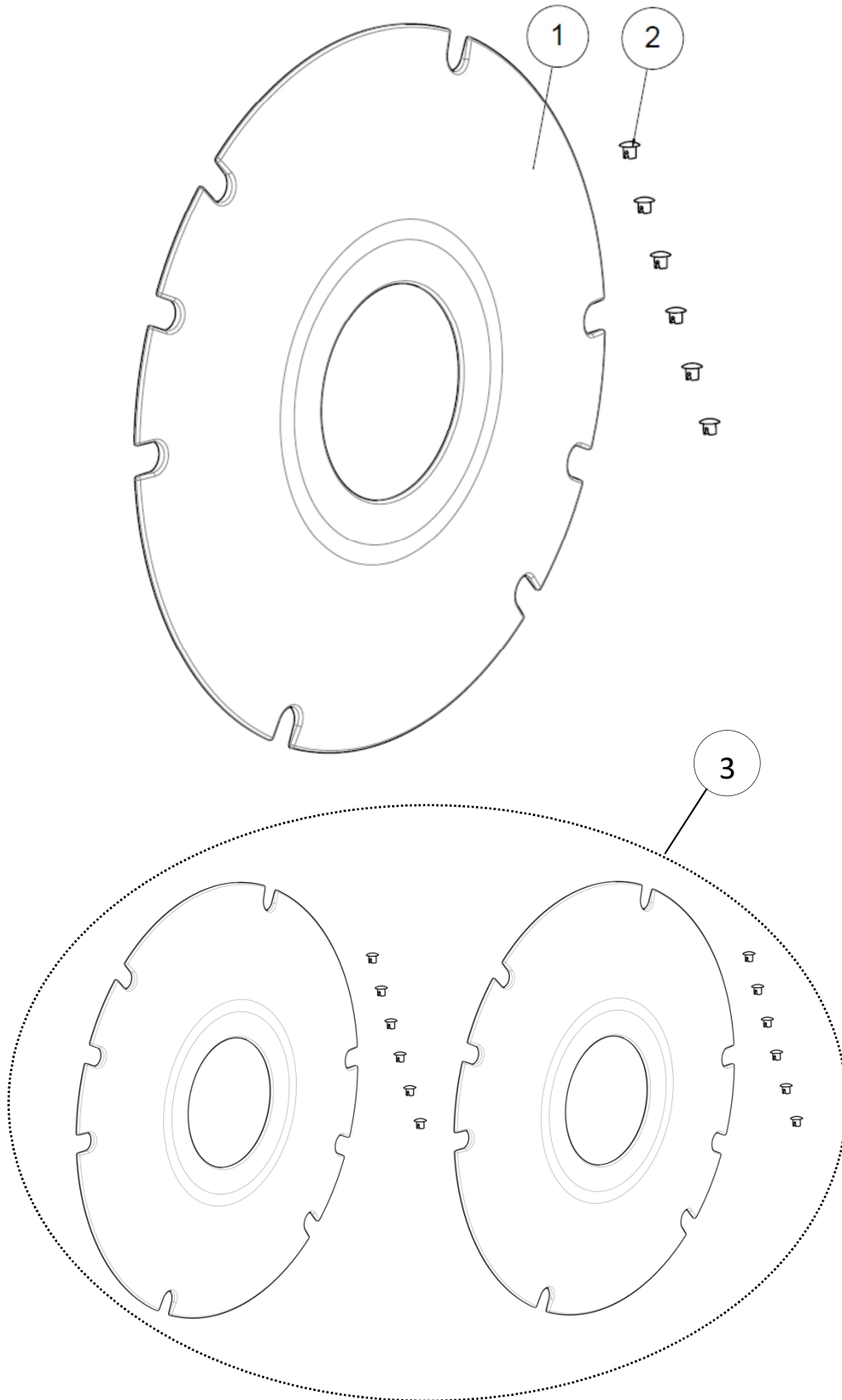
Anti-tipper wheels

Anti-tipper wheels

Pos	Qty	Stock Code	Description En	Description Fr	Remark
1	6	C0215XXXFO	Nut cap M6	Cache écrou M6	
2	1	L9020XXXFO	Anti-tipper wheels (pair)	Roulettes anti-bascule (paire)	
3	4	VIS-CHC6X30ZN	Hexagon socket head cap screw M6x30	Vis tête cylindrique M6x30 six pans creux	
4	2	A9001XXXAI	Anti tip bar fitting	Support roulette anti-bascule	
5	4	RON-M6ZN	Plain washer Ø6	Rondelle plate M Ø6	
6	4	ECR-HFR6ZN	Prevailing torque type hexagon nut M6	Ecrou frein M6	
7	1	A9020XXXAI	Kit anti-tipper wheels (pair)	Kit roulettes anti-bascule (paire)	

Wheels

Spoke guards 24"





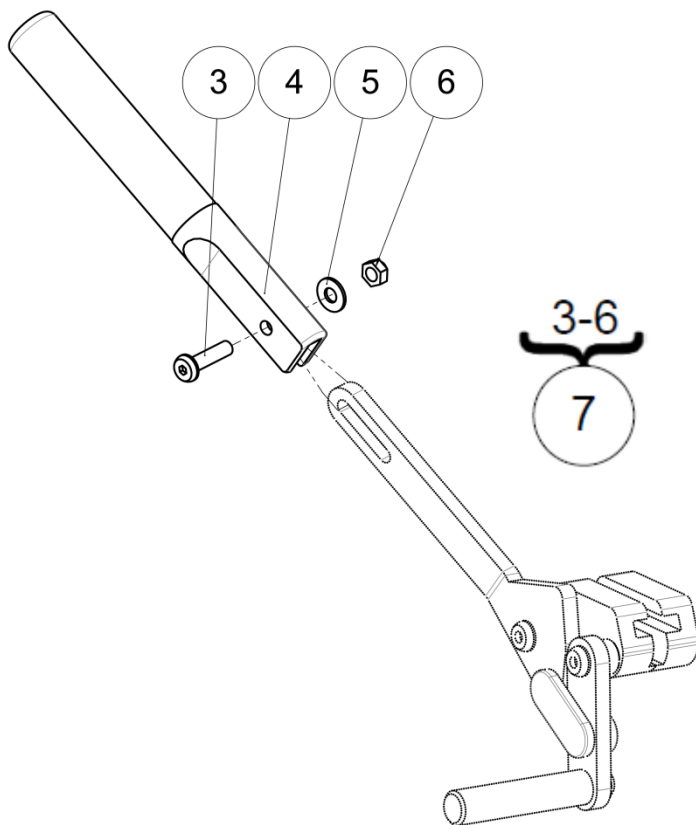
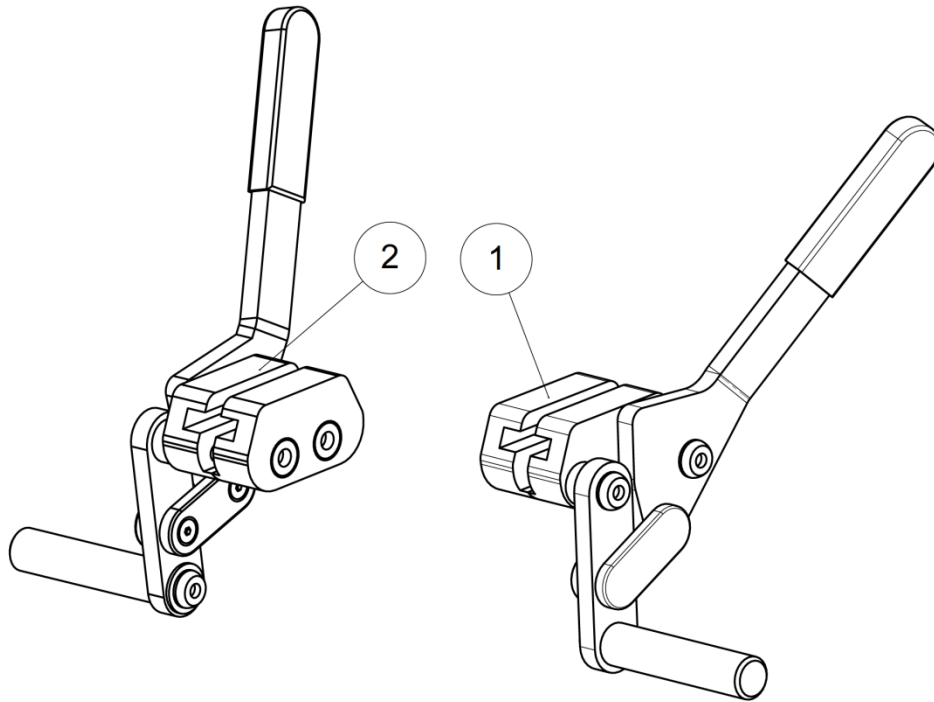
Wheels

Spoke guards 24"

Spoke guards 24"

Pos	Qty	Stock Code	Description En	Description Fr	Remark
1	2	L7003145FO	Spoke guard 24"	Flasque Øint 145 Øext 600mm	
2	12	L7003XXXFO	Clips for spoke guard	Clips flasque de roue	
3	1	L7120XXXFO	Kit spoke guards 24" (pair)	Kit flasques de roues 24" (paire)	

Brakes



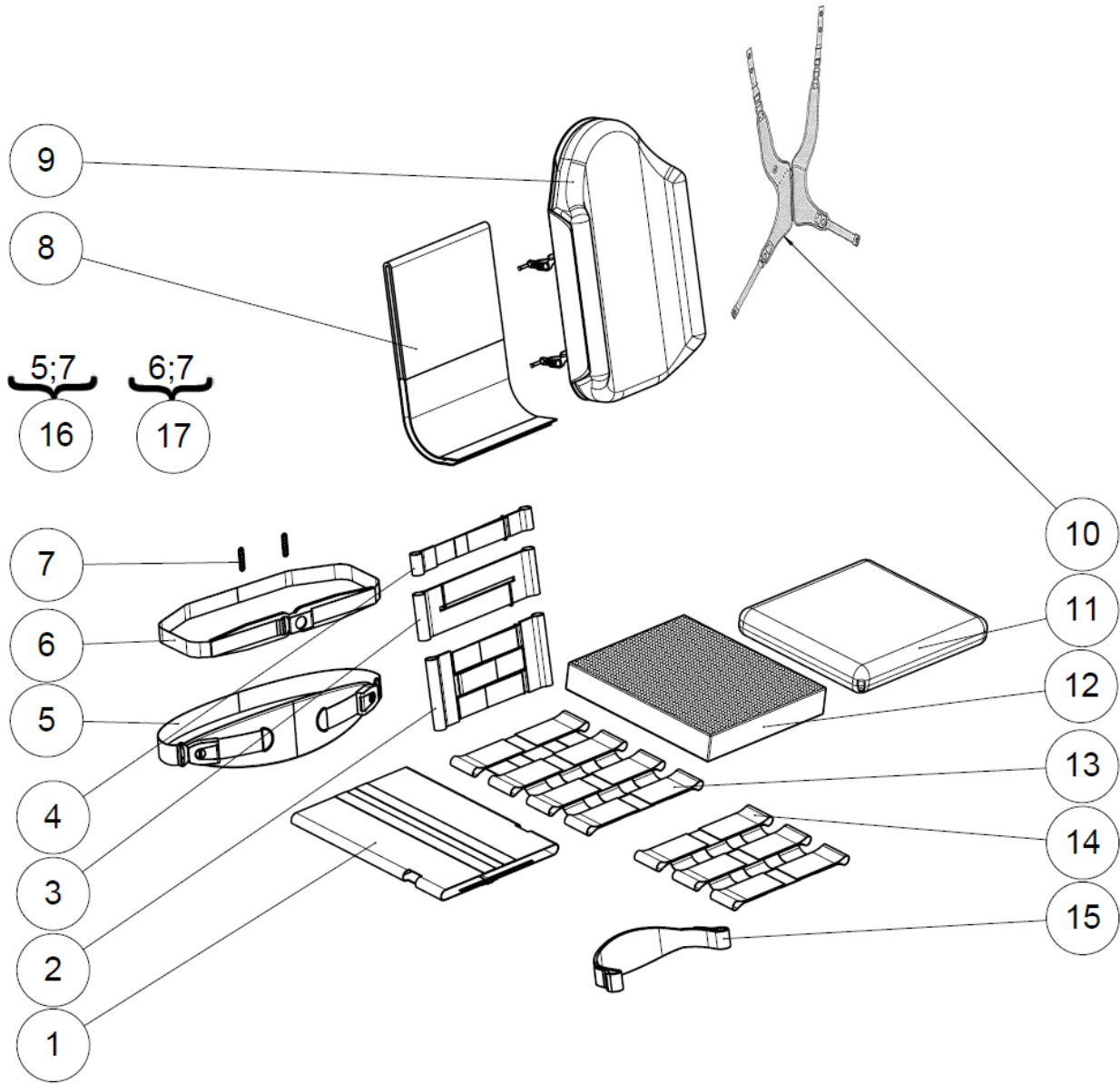


Brakes

Brakes

Pos	Qty	Stock Code	Description En	Description Fr	Remark
1	1	L1120RXXAI	Right brake	Frein droit	
2	1	L1120LXXAI	Left brake	Frein gauche	
3	1	VIS-CBHC5X20ZN	Hexagon socket button head screw M5x20	Vis tête bombée M5x20 six pans creux	
4	1	L1126XXXFO	Brake lever for hinged handle	Rallonge poignée frein escamotable	
5	1	RON-M5ZN	Plain washer Ø5	Rondelle plate M Ø5	
6	1	ECR-HFR5ZN	Prevailing torque type hexagon nut M5	Ecrou frein M5	
7	1	L1125XXXFO	Kit brake extension (pair)	Kit extension de frein (paire)	

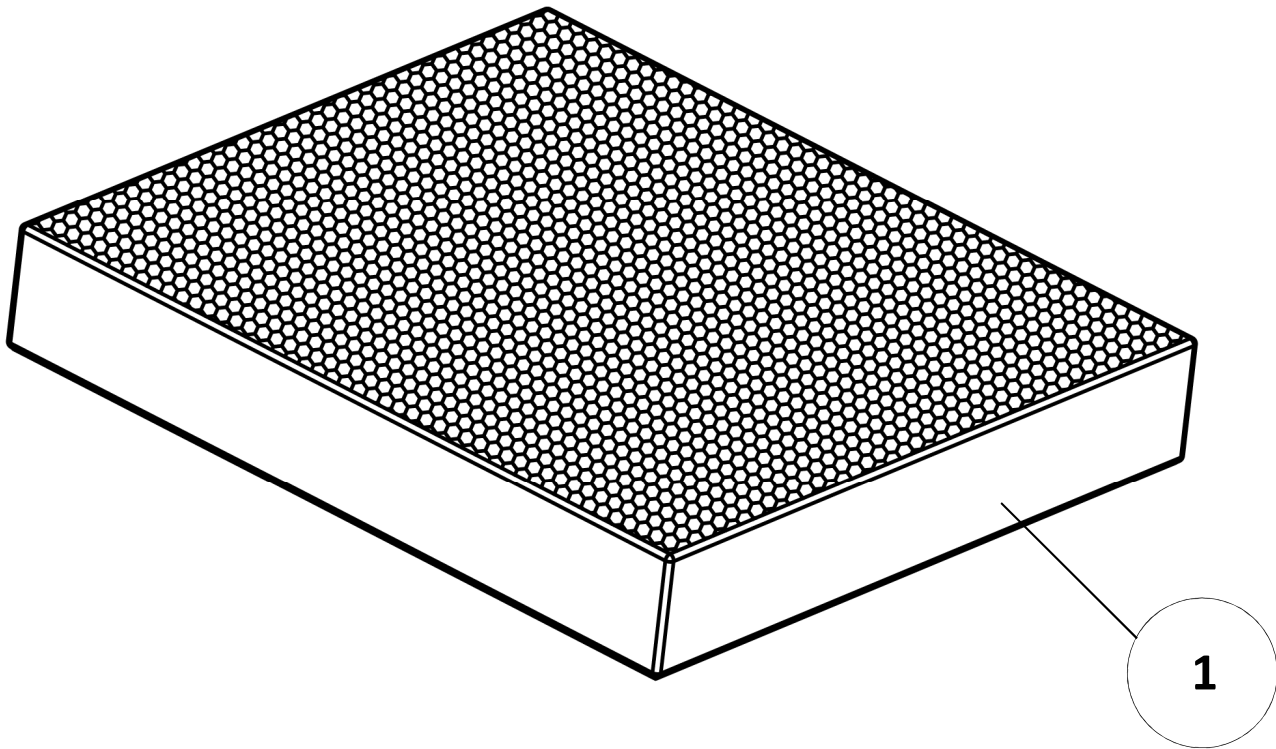
Textiles



Textiles

Textiles

Pos	Qty	Stock Code	Description En	Description Fr	Remark
1	1	L6006X40FO	Adjustable tense seat size 36-40 cm	Assise en toile tendue taille 36-40 cm	
	1	L6006X44FO	Adjustable tense seat size 44-48 cm	Assise en toile tendue taille 44-48 cm	
2	1	L6002XX3FO	Universal three-strap	Sous-dossier 3 sangles taille unique	
3	1	L6002XX2FO	Universal two-strap	Sous-dossier 2 sangles taille unique	
4	1	L6002XX1FO	Universal one-strap	Sous-dossier 1 sangle taille unique	
5	1		Bodypoint large abdominal strap	Sangle abdominale	NOT FOR SALE N-POBAS40
6	1		Bodypoint chest strap S/M	Ceinture ventrale S&M	NOT FOR SALE N-POBAS30
			Bodypoint chest strap L	Ceinture ventrale L	NOT FOR SALE N-POBAS31
7	2	L6008XXXFO	Metal ring	Boucle métallique	
8	1	L6005X36FO	Standard backrest cover size 36 cm	Couvre dossier standard taille 36 cm	
	1	L6005X40FO	Standard backrest cover size 40 cm	Couvre dossier standard taille 40 cm	
	1	L6005X44FO	Standard backrest cover size 44-48 cm	Couvre dossier standard taille 44-48 cm	
	1	L6005H40FO	Extended backrest cover size 36-40 cm	Couvre dossier rehaussé taille 36-40 cm	
	1	L6005H44FO	Extended backrest cover size 44 cm	Couvre dossier rehaussé taille 44 cm	
9	1	L6005H48FO	Extended backrest cover size 48 cm	Couvre dossier rehaussé taille 48 cm	
	1		Varilite backrest	Dossier Varilite	See all sizes p.86
10	1	N-POTRO20	Trunk harness stayflex S	Harnais bustier stayflex S	To be install on belt fixing kit L9029XXXFO (page 24)
	1	N-POTRO21	Trunk harness stayflex M	Harnais bustier stayflex M	
	1	N-POTRO22	Trunk harness stayflex L	Harnais bustier stayflex L	
	1	N-POTRO23	Trunk harness stayflex XL	Harnais bustier stayflex XL	
11	1		Varilite cushion	Coussin Varilite	See all sizes p.86
12	1		Seat cushion visco	Coussin visco	See all sizes p.84
13	1	L6001XX4FO	Four-strap seat for size 44-48 cm	Assise 4 sangles taille 44-48 cm	
14	1	L6001XX3FO	Three-strap seat for size 36-40 cm	Assise 3 sangles taille 36-40 cm	
15	1	N-POMOL04	Padded calf panel S	sangle mollet rembourrée S	
	1	N-POMOL05	Padded calf panel M	sangle mollet rembourrée M	
	1	N-POMOL06	Padded calf panel L	sangle mollet rembourrée L	
16	1	322916	Kit Bodypoint large abdominal strap	Kit sangle abdominale	
17	1	322914	Kit Bodypoint chest strap S/M	Kit ceinture ventral S&M	
	1	322915	Kit Bodypoint chest strap L	Kit ceinture ventral L	





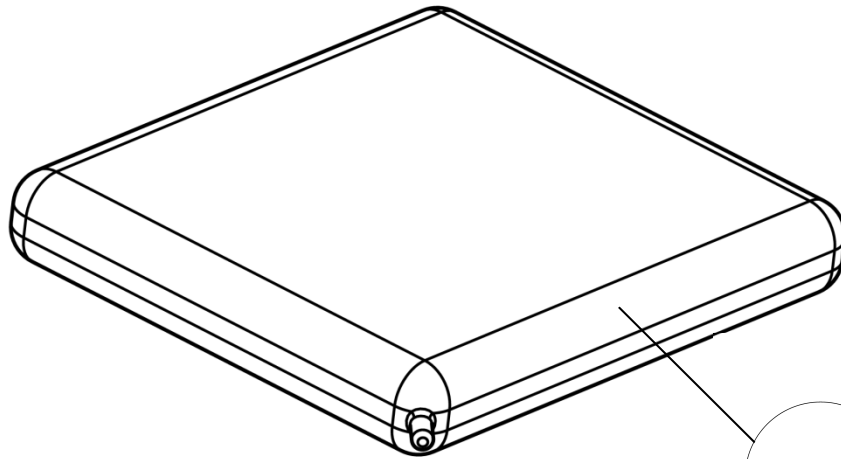
Textiles

Seat cushion visco

Seat cushion visco

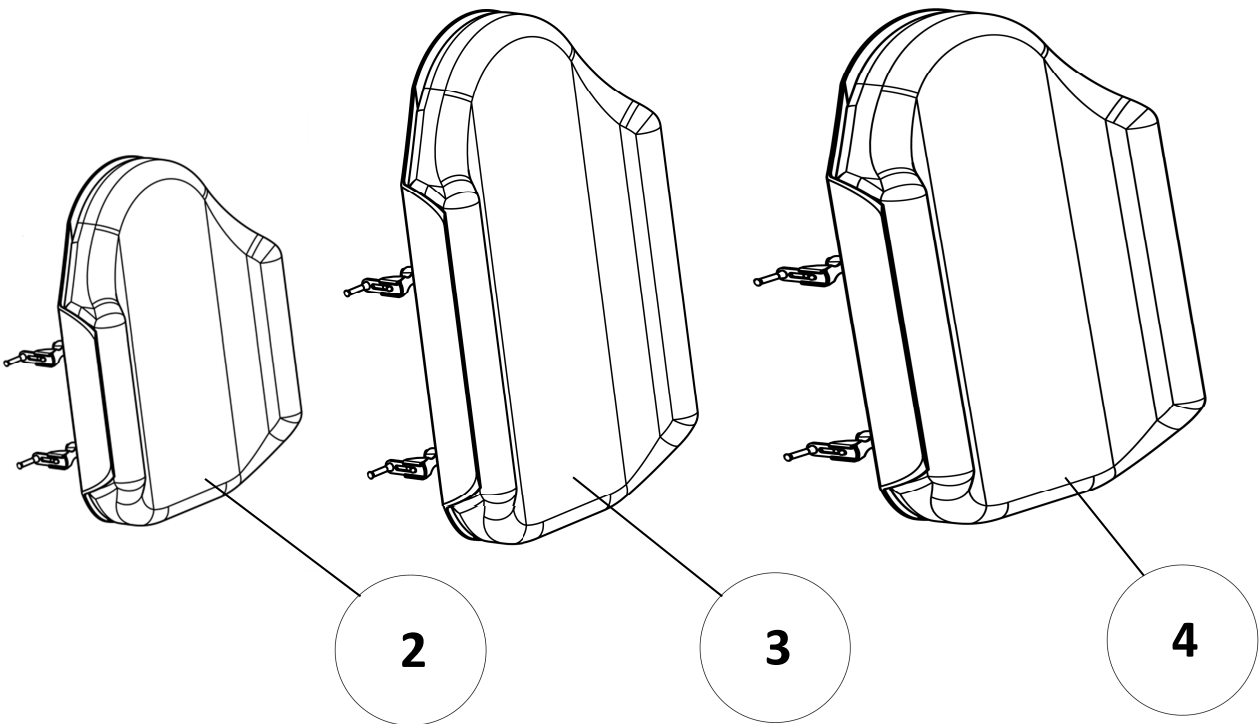
Pos	Qty	Stock Code	Description En	Description Fr	Remark
1	1	321241	Seat cushion visco 36x35x7 cm	Coussin visco 36x35x7 cm	
		L6110X36FO	Seat cushion visco 36x40x7 cm	Coussin visco 36x40x7 cm	
		321243	Seat cushion visco 36x47x7 cm	Coussin visco 36x47x7 cm	
		321244	Seat cushion visco 36x53x7 cm	Coussin visco 36x53x7 cm	
		L6110X40FO	Seat cushion visco 40x45x7 cm	Coussin visco 40x45x7 cm	
		L6110X4048	Seat cushion visco 40x48x7 cm	Coussin visco 40x48x7 cm	
		321248	Seat cushion visco 40x53x7 cm	Coussin visco 40x53x7 cm	
		L6110X44FO	Seat cushion visco 44x45x7 cm	Coussin visco 44x45x7 cm	
		L6110X4448	Seat cushion visco 44x48x7 cm	Coussin visco 44x48x7 cm	
		321251	Seat cushion visco 44x53x7 cm	Coussin visco 44x53x7 cm	
		L6110X48FO	Seat cushion visco 48x48x7 cm	Coussin visco 48x48x7 cm	
321253	Seat cushion visco 48x53x7 cm	Coussin visco 48x53x7 cm			

Varilite cushion



1

Varilite backrest



2

3

4

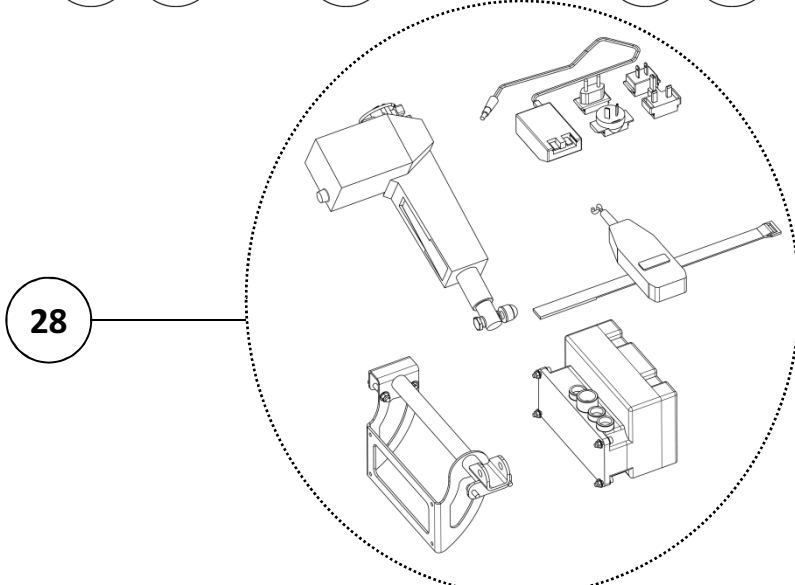
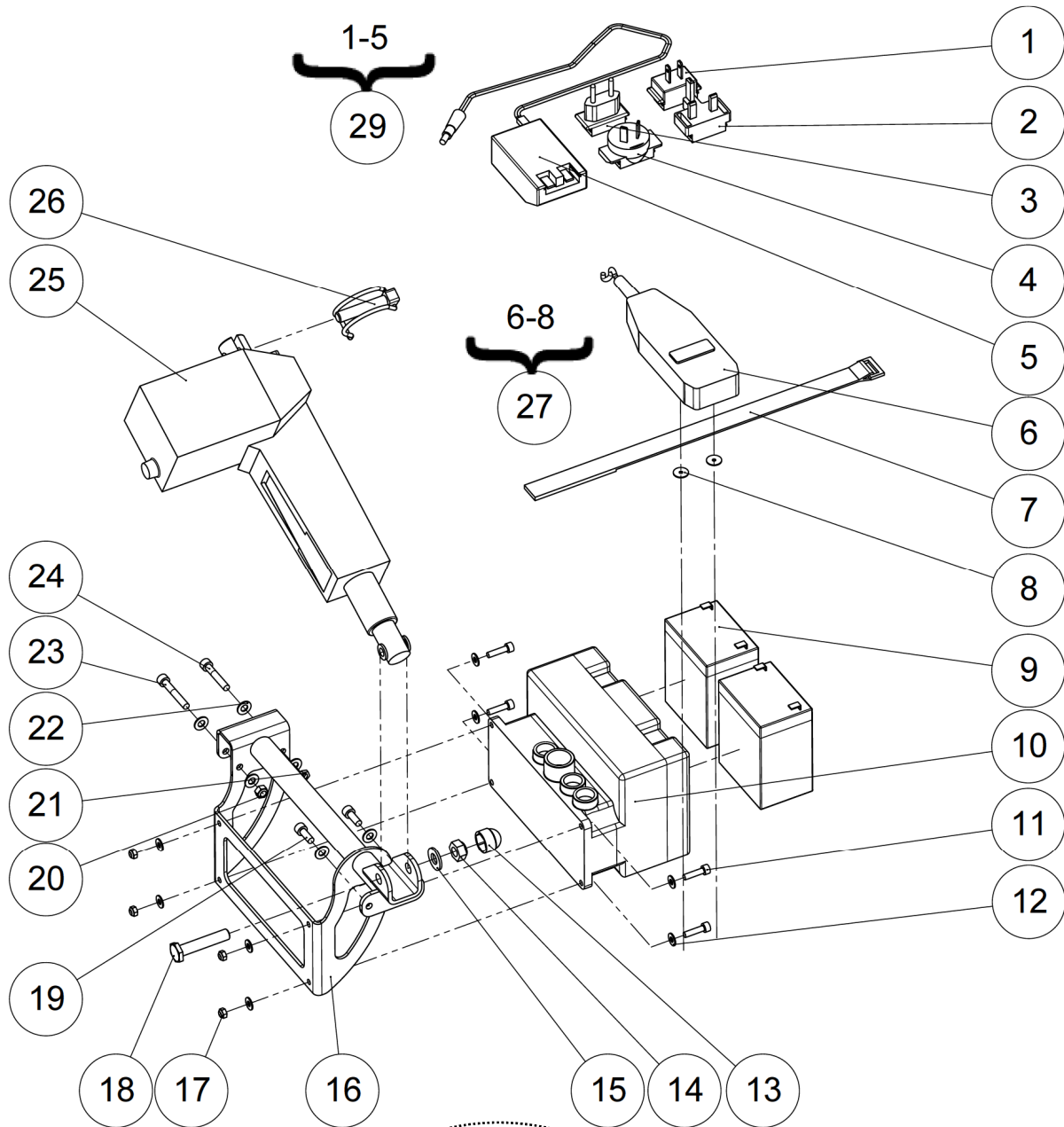
Textiles

Varilite accessories

Varilite accessories

Pos	Qty	Stock Code	Description En	Description Fr	Remark
1	1	N-COZOI01	Cushion Varilite ZOID 35x35 cm	Coussin Varilite ZOID 35x35 cm	
		N-COZOI02	Cushion Varilite ZOID 35x40 cm	Coussin Varilite ZOID 35x40 cm	
		N-COZOI03	Cushion Varilite ZOID 40x40 cm	Coussin Varilite ZOID 40x40 cm	
		N-COZOI04	Cushion Varilite ZOID 40x45 cm	Coussin Varilite ZOID 40x45 cm	
		N-COZOI05	Cushion Varilite ZOID 45x45 cm	Coussin Varilite ZOID 45x45 cm	
		N-COZOI06	Cushion Varilite ZOID 45x40 cm	Coussin Varilite ZOID 45x40 cm	
		N-COZOI09	Cushion Varilite ZOID 45x50 cm	Coussin Varilite ZOID 45x50 cm	
		N-COEVO02	Cushion Varilite EVOLUTION 35x35 cm	Coussin Varilite EVOLUTION 35x35 cm	
		N-COEVO03	Cushion Varilite EVOLUTION 35x40 cm	Coussin Varilite EVOLUTION 35x40 cm	
		N-COEVO035	Cushion Varilite EVOLUTION 35x45 cm	Coussin Varilite EVOLUTION 35x45 cm	
		N-COEVO04	Cushion Varilite EVOLUTION 40x40 cm	Coussin Varilite EVOLUTION 40x40 cm	
		N-COEVO05	Cushion Varilite EVOLUTION 40x45 cm	Coussin Varilite EVOLUTION 40x45 cm	
		N-COEVO06	Cushion Varilite EVOLUTION 40x50 cm	Coussin Varilite EVOLUTION 40x50 cm	
		N-COEVO065	Cushion Varilite EVOLUTION 43x43 cm	Coussin Varilite EVOLUTION 43x43 cm	
		N-COEVO07	Cushion Varilite EVOLUTION 45x40 cm	Coussin Varilite EVOLUTION 45x40 cm	
		N-COEVO08	Cushion Varilite EVOLUTION 45x45 cm	Coussin Varilite EVOLUTION 45x45 cm	
		N-COEVO09	Cushion Varilite EVOLUTION 45x50 cm	Coussin Varilite EVOLUTION 45x50 cm	
		N-COSTR04	Cushion Varilite STRATUS 35x40 cm	Coussin Varilite STRATUS 35x40 cm	
		N-COSTR05	Cushion Varilite STRATUS 40x40 cm	Coussin Varilite STRATUS 40x40 cm	
		N-COSTR06	Cushion Varilite STRATUS 40x45 cm	Coussin Varilite STRATUS 40x45 cm	
N-COSTR07	Cushion Varilite STRATUS 43x43 cm	Coussin Varilite STRATUS 43x43 cm			
N-COSTR08	Cushion Varilite STRATUS 45x40 cm	Coussin Varilite STRATUS 45x40 cm			
N-COSTR09	Cushion Varilite STRATUS 45x45 cm	Coussin Varilite STRATUS 45x45 cm			
N-COSTR013	Cushion Varilite STRATUS 45x50 cm	Coussin Varilite STRATUS 45x50 cm			
2	1	N-COEVO33	Backrest Varilite EVOLUTION 36 cm	Dossier Varilite EVOLUTION 36 cm	
		N-COEVO35	Backrest Varilite EVOLUTION 40 cm	Dossier Varilite EVOLUTION 40 cm	
		N-COEVO37	Backrest Varilite EVOLUTION 44 cm	Dossier Varilite EVOLUTION 44 cm	
		N-COEVO38	Backrest Varilite EVOLUTION 48 cm	Dossier Varilite EVOLUTION 48 cm	
3	1	N-COEVO13	Backrest Varilite EVOLUTION tall 36 cm	Dossier Varilite EVOLUTION haut 36 cm	
		N-COEVO14	Backrest Varilite EVOLUTION tall 38 cm	Dossier Varilite EVOLUTION haut 38 cm	
		N-COEVO15	Backrest Varilite EVOLUTION tall 40 cm	Dossier Varilite EVOLUTION haut 40 cm	
		N-COEVO16	Backrest Varilite EVOLUTION tall 43 cm	Dossier Varilite EVOLUTION haut 43 cm	
		N-COEVO17	Backrest Varilite EVOLUTION tall 45 cm	Dossier Varilite EVOLUTION haut 45 cm	
N-COEVO18	Backrest Varilite EVOLUTION tall 50 cm	Dossier Varilite EVOLUTION haut 50 cm			
4	1	N-COEVO43	Backrest Varilite EVOLUTION deep 35 cm	Dossier Varilite EVOLUTION profond 35 cm	
		N-COEVO44	Backrest Varilite EVOLUTION deep 38 cm	Dossier Varilite EVOLUTION profond 38 cm	
		N-COEVO45	Backrest Varilite EVOLUTION deep 40 cm	Dossier Varilite EVOLUTION profond 40 cm	
		N-COEVO46	Backrest Varilite EVOLUTION deep 43 cm	Dossier Varilite EVOLUTION profond 43 cm	
		N-COEVO47	Backrest Varilite EVOLUTION deep 45 cm	Dossier Varilite EVOLUTION profond 45 cm	

Electric standing

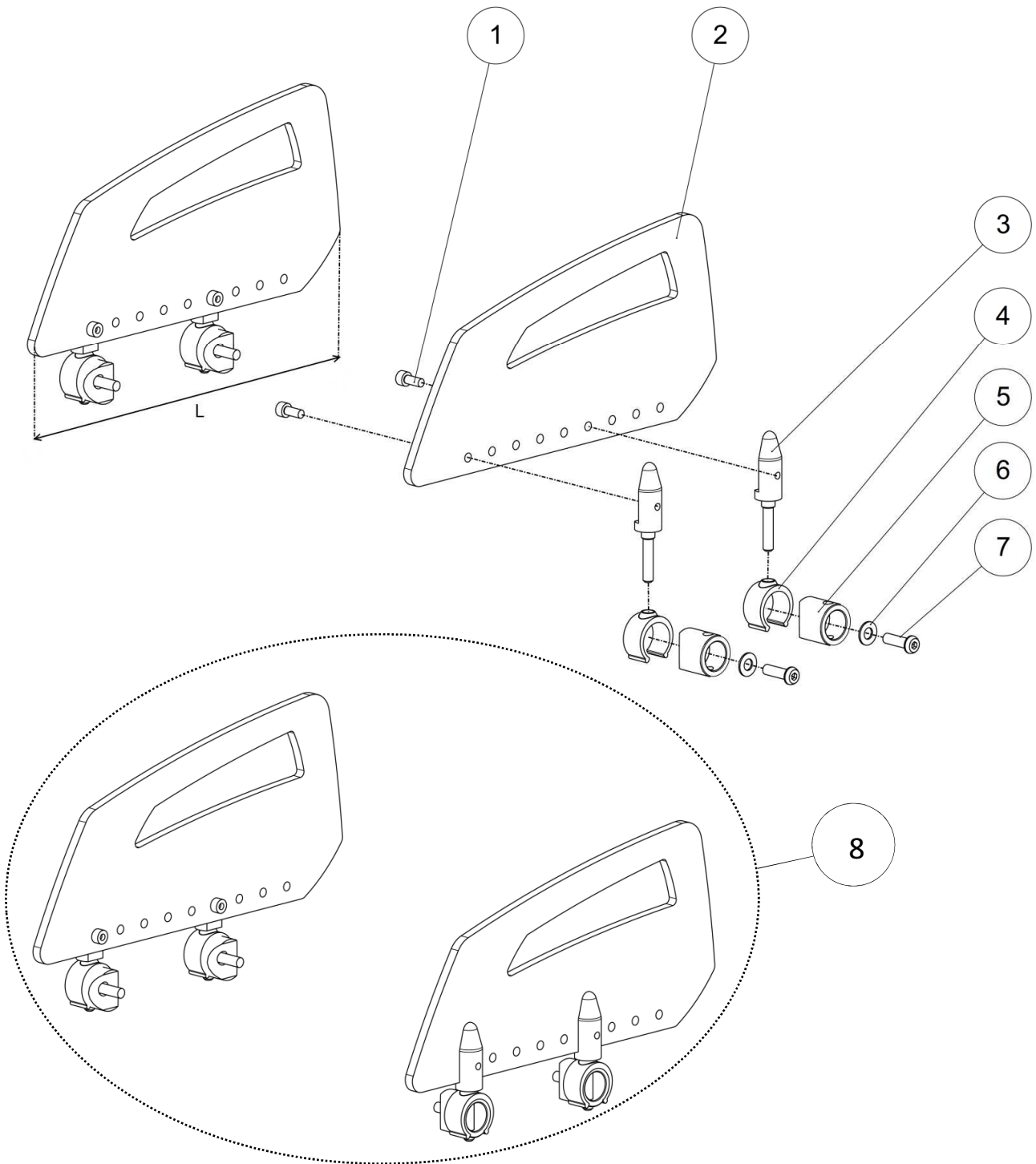


Electric standing

Electric standing

Pos	Qty	Stock Code	Description En	Description Fr	Remark
1	1	L5003USAFO	USA Plug	Plug primaire USA	
2	1	L5003UKXFO	UK Plug	Plug primaire UK	
3	1	L5003EURFO	European Plug	Plug primaire Europe	
4	1	L5003AUSFO	Australian Plug	Plug primaire Australie	
5	1		Charger for standing up 24V	Base chargeur 24V avec témoin	NOT FOR SALE L5002SXXFO
6	1		Stand-up remote control	Télécommande verticalisation	NOT FOR SALE L5005XXXFO
7	1	L6007XXXFO	Velcro strap + Ring	Attache velcro + anneau	
8	2	RON-LL3ZN	Fender washer Ø3	Rondelle plate LL Ø3	
9	2	L5008XXXFO	Batteries 12V 29Ah (unit)	Batteries vertic. 12 V 29 Ah (l'unité)	
10	1	L5004BOIFO	Control box + 2 batteries	Boitier contrôle + 2 Batteries	Batteries included
		L5004SAVFO	Relay box + card without batteries	Boitier + carte vérin sans batteries	Batteries not included
11	4	VIS-CHC5X20ZN	Hexagon socket head cap screw M5x20	Vis tête cylindrique M5x20 six pans creux	
12	8	RON-M5ZN	Plain washer Ø5	Rondelle plate M Ø5	
13	1	C0216XXXFO	Nut cap M10	Cache écrou M10	
14	1	ECR-HFR10ZN	Prevailing torque type hexagon nut M10	Ecrou frein M10	
15	1	RON-M10ZN	Plain washer Ø10	Rondelle plate M Ø10	
16	1	L5101XXXPN	Support frame actuator LSE	Berceau vérin noir LSE	
17	4	ECR-HFR5ZN	Prevailing torque type hexagon nut M5	Ecrou frein M5	
18	1	C0204XXXZN	Axle Ø10x51.5x17mm	Axe Ø10x51.5x17mm	
19	2	VIS-CHC6X16ZN	Hexagon socket head cap screw M6x16	Vis tête cylindrique M6x16 six pans creux	
20	1	ECR-HFR6ZN	Prevailing torque type hexagon nut M6	Ecrou frein M6	
21	1	ECR-HM6ZN	Hexagon thin nut M6	Ecrou bas M6	
22	6	RON-M6ZN	Plain washer Ø6	Rondelle plate M Ø6	
23	1	VIS-CHC6X40ZN	Hexagon socket head cap screw M6x40	Vis tête cylindrique M6x40 six pans creux	
24	1	VIS-CHC6X35ZN	Hexagon socket head cap screw M6x35	Vis tête cylindrique M6x35 six pans creux	
25	1	L5104XXXFO	Stand-up actuator LSE	Vérin de verticalisation LSE	
26	1	L0013XXXFO	Pin clip for tube Ø10x45mm	Goupille clip demilune ACBI Ø10x45mm	
27	1	322889	Kit stand-up remote control	Kit télécommande de verticalisation	
28	1	L5100XXXFO	Kit electrical standing LSE	Kit de verticalisation électrique LSE	
29	1	322917	Kit charger for standing up 24V	Kit chargeur 24V avec témoin	

Side guards



NOT COMPATIBLE WITH LS

Side guards

Side guards

Pos	Qty	Stock Code	Description En	Description Fr	Remark
1	4	VIS-CHC5X12ZN	Hexagon socket head cap screw M5x12	Vis tête cylindrique M5x12 six pans creux	
2	2	C9111XXXFO	Long side guards	Protège vêtements long	L=254mm
		C9111XSHFO	Short side guards	Protège vêtements court	L=213mm
3	4	L9012XXXFO	Side-guard spindle	Axe protection latérale	
4	4	L0009XXXFO	Tube lock Ø22.2 - 25.4	Verrou de tube Ø22.2 - 25.4	
5	4	C9011XXXFO	Spacer tube	Entretoise d'rou usinée	
6	4	RON-M6ZN	Plain washer Ø6	Rondelle plate M Ø6	
7	4	VIS-CBHC6X20ZN	Hexagon socket button head screw M6x20	Vis tête bombée M6x20 six pans creux	
8	1	C9010XXXFO	Kit side guards long (pair)	Kit protection latérale long (paire)	L=254mm
		C9010XSHFO	Kit side guards short (pair)	Kit protection latérale courte (paire)	L=213mm